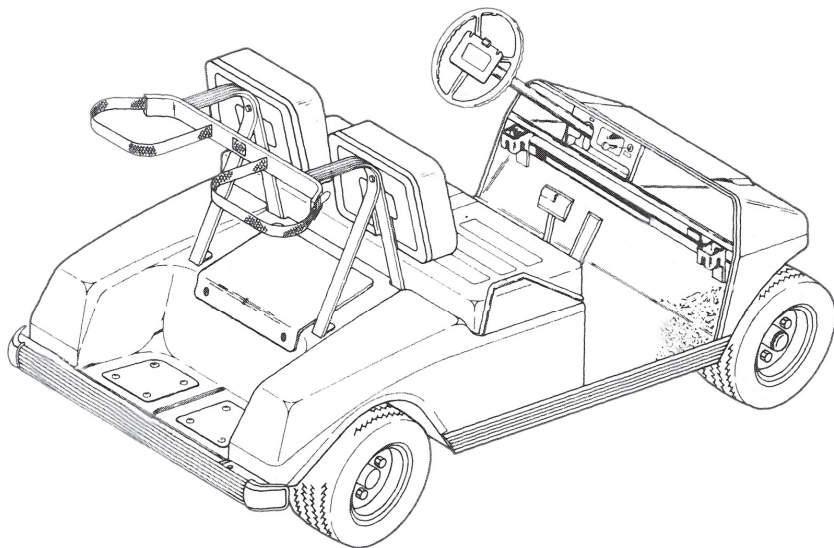


**1992
DS Golf Car
Illustrated Parts List**



Gasoline and Electric Vehicles

Manual Number 1016634
Edition Code 0292B1008A

USING THE ILLUSTRATED PARTS LIST

⚠ WARNING

- **This manual is to be used only for identification and ordering of service parts. Be sure to read and use the maintenance and service manual before attempting any vehicle repairs.**

Use the Table of Contents to find the sections and pages that contain the parts and assemblies you seek. The Table of Contents lists section numbers, and under them, the individual page titles and numbers to be found in that section. The index can be used to find specific parts and assemblies. The index is divided into numerical and alphabetical listings with the page numbers in italic text.

There is a two-page spread for each individual page title in the Table of Contents. On the left-hand page is an illustration showing the parts in their relative positions; the parts are each tagged with an item number in a balloon. The right-hand page is the parts list page, and gives the page title at the top, then the item numbers (corresponding to the numbers on the illustration), part descriptions, and quantity of parts used.

Note that a part description may be indented. This indentation corresponds to a parts assembly level indicated by the numbers 1, 2, 3, and 4 at the top left corner of the parts description area of the parts list page. A part that is indented to *level 2* is a component of the *level 1* part (assembly) that it is listed under. A *level 3* part is a component of the *level 2* part that it is listed under, and a *level 4* part is a component of the *level 3* part preceding it. In each case, the part quantity given for a level 2, 3, or 4 part *is the quantity used per next higher level assembly of which it is a component*. A part that is not indented is a *level 1* part. This means that the quantity given is the quantity used per the portion of the vehicle illustrated on that particular spread.

HOW TO ORDER PARTS

Replacement parts and accessories can be obtained from our network of authorized dealers and distributors. You can obtain the name and phone number of your closest authorized Club Car dealer or distributor by visiting our web site at www.clubcar.com and clicking on the "*Distributor Search*" link or by calling our toll-free Service Parts and Technical Assistance hotline at (800) 872-2246 or (706) 863-3000, extension 3887.

Copyright © 1992, 2008 Club Car, Inc.
Club Car and Carryall are registered
trademarks of Club Car, Inc



P. O. Box 204658
Augusta, Georgia 30917-4658 USA
Telephone 706-863-3000
Service Parts Fax 706-855-7413
www.clubcar.com

CONTENTS

INDEX

MAINTENANCE AND SERVICE TOOLS

BODY AND TRIM

SECTION 1

Body and Trim	1-2
Covers — Front and Rear	1-4
Seat Back and Bag Hoop	1-6
Seat Bottom and Armrest	1-8

DRIVE UNIT

SECTION 2

Drive Unit	2-2
------------------	-----

BRAKES, PEDAL AND CABLE ASSEMBLY

SECTION 3

Brake Cluster, Right and Left Hand	3-2
Brake Pedal and Cable Assembly	3-4
Accelerator Pedal Assembly	3-6

STEERING AND FRONT SUSPENSION

SECTION 4

Steering Column — Steel	4-2
Steering Column — Aluminum	4-4
Steering Assembly	4-6
Front Suspension Assembly — A-Plate	4-8
Front Suspension Assembly — Delta A-Plate	4-10

ELECTRICAL AND BATTERY

SECTION 5

Wiring — Gas Vehicle	5-2
Electrical Component Box	5-4
Starter Generator — Mounting	5-6
Starter Generator Assembly	5-7
F&R Shifter Assembly	5-8
Reverse Buzzer	5-10
Battery	5-12

ENGINE

SECTION 6

Engine	6-2 — 6-8
--------------	-----------

FUEL AND INTAKE SYSTEM

SECTION 7

Fuel System Assembly	7-2
Carburetor Assembly	7-4
Governor Guard	7-6
Expansion Chamber, Choke and Filter	7-8
Governor and Accelerator Cables	7-10

EXHAUST SYSTEM

SECTION 8

Exhaust System	8-2
----------------------	-----

TORQUE CONVERTER

SECTION 9

Drive Clutch Assembly	9-2
Driven Clutch Assembly	9-4

TRANSMISSION AND GOVERNOR

SECTION 10

Transmission Assembly	10-2
Governor	10-4

REAR SUSPENSION — GAS VEHICLE

SECTION 11

Rear Suspension Assembly	11-2
Inner Frame Assembly	11-4

ELECTRICAL — ELECTRIC VEHICLE

SECTION 12

Power Wiring — Electric Vehicle	12-2
V-Glide Wiper Switch	12-4
Resistor and Board Assembly — V-Glide	12-6
Forward and Reverse Switch Assembly	12-8
Power Wiring — Solid State Controller	12-10
Forward and Reverse Switch — Solid State Controller	12-12
V-Glide Wiper Switch — Solid State Controller	12-14
Reverse Buzzer — Frame Mounted	12-16
Reverse Buzzer — Dash Mounted	12-17

CHARGERS

SECTION 13

Model 13800 Accu-Power	13-2
Model 14000 Ultra-Power	13-4

MOTOR

SECTION 14

CLUB CAR Model #1012191 and #1014678	14-2
--	------

REAR SUSPENSION ASSEMBLY — ELECTRIC VEHICLE





SECTION 15

Rear Suspension Assembly — Electric Vehicle	15-2
---	------

INDEX

GAS		G
------------	--	----------

ELECTRIC		E
-----------------	---	----------








BODY AND TRIM – FRONT AND REAR COVERS		1
DRIVE UNIT		2
BRAKES, PEDAL AND CABLE ASSEMBLY		3
STEERING AND FRONT SUSPENSION		4

INDEX

GAS



G



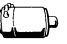

ELECTRICAL AND BATTERY		5
ENGINE		6
FUEL, INTAKE AND GOVERNOR SYSTEM		7
EXHAUST SYSTEM		8
TORQUE CONVERTER		9
TRANSMISSION AND GOVERNOR		10
REAR SUSPENSION		11

INDEX

ELECTRIC



E

ELECTRICAL		12
BATTERY CHARGER		13
MOTOR		14
REAR SUSPENSION		15

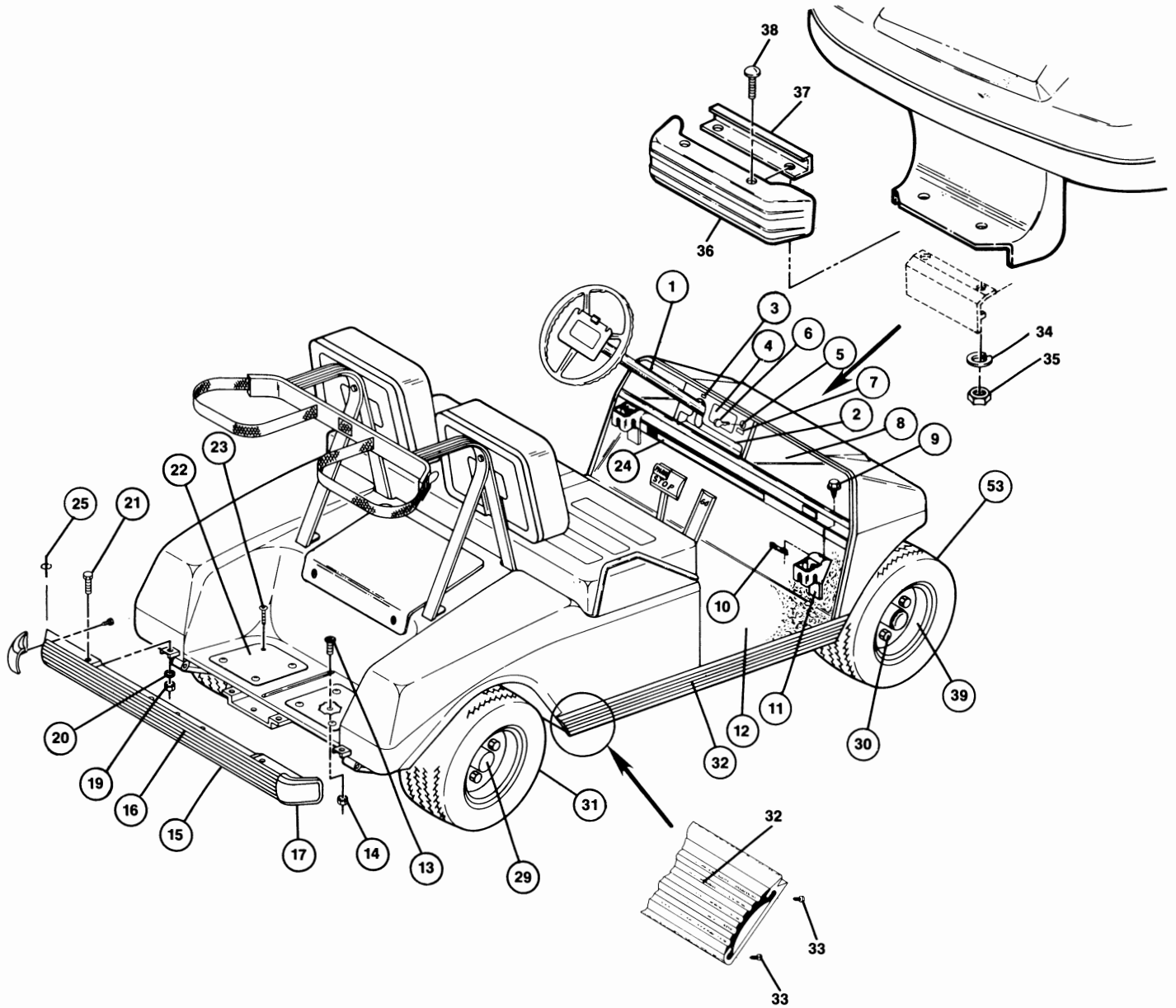
MAINTENANCE SERVICE TOOLS

DESCRIPTION	PART NO.
Internal Retaining Pliers	1013593
Battery Load Tester, 12 Volt	1012807
Clutch Torsion Spring Tool	1012806
Brake Adjusting Tool	1013582
Fiberglass Repair Kit	1012093
Volt Ohm Meter	1011480
Continuity Tester	1011273
Retaining Ring Pliers (45° External)	1012549
Retaining Ring Pliers (90° Internal)	1012560
Keyswitch Tool	1012801
Seal Puller	1012809
Bearing Puller	1012811
Bearing Puller Wedge Attachment	1012812
Tachometer	1016112
Flywheel Puller	1012802
Drive Clutch Puller	1012803
Clutch Alignment Tool	1012805
Touch-Up Paint - Beige	1011981
Touch-Up Paint - White	1013145
Transmission Tool Kit	1014115
Drive and Driven Clutch Tool Kit	1014114
Drive Unit Pinion Seal Tool	1014161
Drive Unit Axle Seal Tool	1014162
Throttle Pivot Bushing Tool	1014163
Steering Column Bearing Press Tool	1014264
Steering Column Retaining Ring Tool	1014259
Battery Terminal Protector	1014305
Dry Moly Lubricant	1012151
Governor Guard	1016048
Flexible Cowl Repair Kit	1014963
Flexible Cowl Paint Repair Kit	1015491
Hydrometer	1011478
Battery Tester (Discharge Machine)	1010687
Battery Thermometer	1011767
Hubometer and Mounting Bracket	1010282
Generator Belt Adjustment Pry-Bar	1013155
Hour Meter Kit (Gas Car)	1013578
Fly Wheel Puller Kit	1016627
Valve Seat Cutter Holder Bar	1016551
Valve Seat Cutter Holder	1016552
Valve Seat Cutter 45° (32mm Diameter)	1016553
Valve Seat Cutter 45° (35mm Diameter)	1016554
Valve Seat Cutter 32° (35mm Diameter)	1016555
Hour Meter Kit (Electric Car)	1013579
Hour Meter Mounting Hardware Kit	1016862
Clutch Tool Kit	1014510
Impulse Fuel Pump Rebuild Kit	1013762
Impulse Fuel Pump Rebuild Kit (Square Body)	1014524
Go-No-Go Gauge (Carburetor Float Adjustment)	1014701
Engine Ignition Service Tool	1014822
Spring Tune-Up Kit (Standard Engine)	1016110-01
Spring Tune-Up Kit (OHV Engine)	1016110-02
Compression Gauge	1016410-01
Adapter	1016410-02
Valve Spring Compressor	1016411-01
Adapter	1016411-02
Valve Guide Reamer	1016412-01
Arbor	1016412-02
Valve Clearance Adjuster Screw Holder	1016413
Piston Ring Compressor Kit	1016414
Piston Ring Plier	1016415
Bearing Driver Set	1016416
Bearing and Oil Seal Remover Assembly	1016417
Gear Yoke	1016418

Please refer to the Maintenance and Service Manual for proper tool application.

Section 1

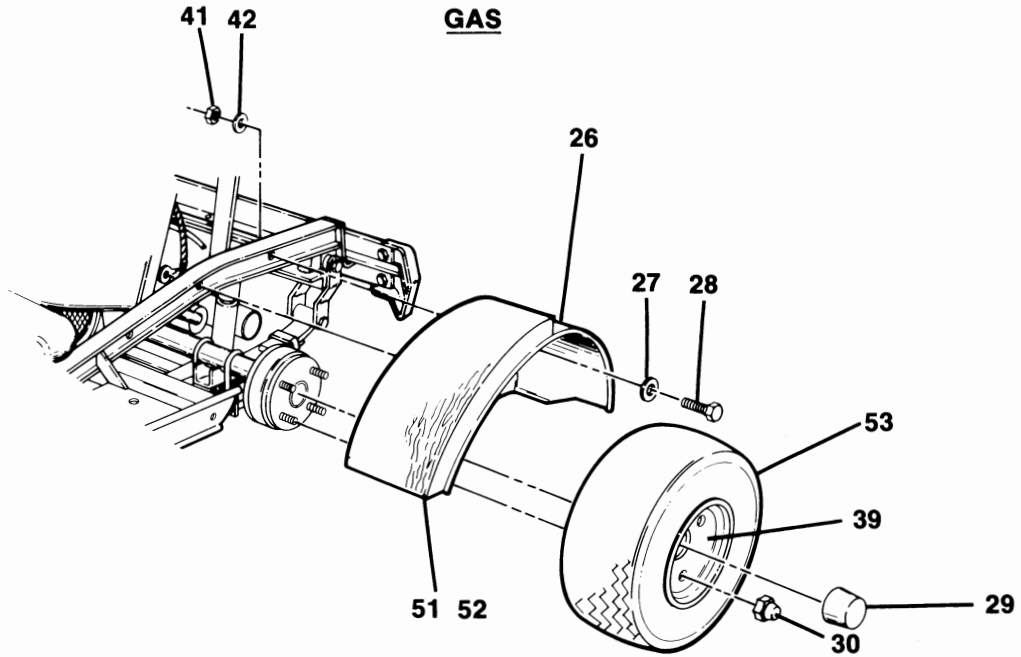
BODY AND TRIM FRONT AND REAR COVERS



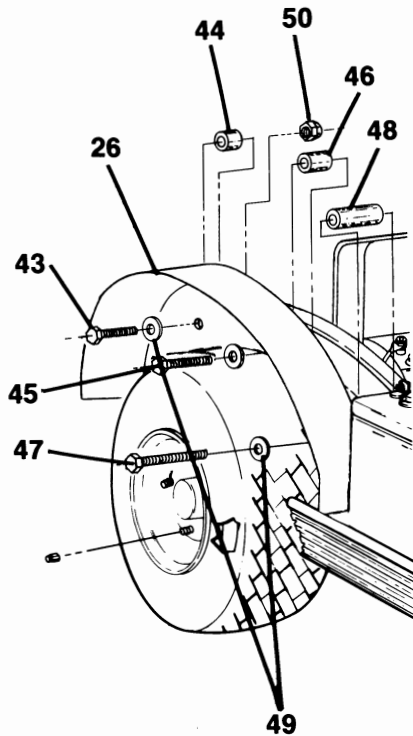
BODY AND TRIM

BODY AND TRIM

ITEM NUMBER	PART NUMBER	DESCRIPTION	UNITS PER VEHICLE	
			GAS	ELECTRIC
1	1013980	DASH COMPONENT, LEFT (TAN)	1	1
1	1013344	DASH COMPONENT, LEFT (BLACK)	1	1
2	1016604-01	CENTER DASH PANEL (TAN)		1
2	1016620-01	CENTER DASH PANEL WITH OIL LIGHT OPENING (TAN)	1	
2	1016604-02	CENTER DASH PANEL (BLACK)		1
2	1016621-04	CENTER DASH PANEL WITH OIL LIGHT OPENING (BLACK)	1	
3	1016630	OIL LIGHT	1	
4	1013390	DECAL, GOLF ETIQUETTE	1	1
5	1012415	SWITCH, KEY (INCLUDES 2 KEYS) 12 VOLT	1	
5	1012531	SWITCH, KEY (INCLUDES 2 KEYS) 36 VOLT		1
6	1012505	KEY	PAIR	
7	1012530	DECAL, ON/OFF	1	1
8	1013979	DASH COMPONENT, RIGHT (TAN)	1	1
8	1013343	DASH COMPONENT, RIGHT (BLACK)	1	1
9	1010545	SCREW - 1/4"-14 X 3/4" HEX WASHER HEAD	6	6
10	1013421	TWIN SPEED NUT 1/4-20	2	2
11	1013422	CUP HOLDER KIT INCLUDES ITEMS 9 AND 10	2	2
12	1015032	MAT, FLOOR	1	1
13	8251	SCREW, PHILLIPS TRUSS HEAD, 1/4-20	2	2
14	8233	LOCKNUT, NYLON, 1/4-20	2	2
15	1013901	REAR BUMPER ASSEMBLY INCLUDES ITEMS 16 THRU 21 AND 25	1	1
16	1013900	GUARD, REAR BUMPER	1	1
17	1011086	BUMPER END CAPS	2	2
18	1014738	BACK UP STRIP	1	1
19	7473	LOCKNUT, 5/16-18 UNC	4	4
20	1241	FLATWASHER, 5/16	4	4
21	1014826	BOLT, CARRIAGE, 5/16-18 UNC X 1"	4	4
22	1014392	MAT, BAG WELL	2	2
23	1010434	FASTENER, PLASTIC BARREL	8	8
24	1014883	DASH WARNING DECAL	1	1
25	1016335	POP RIVET 1/4" X 3/4" (END CAP MOUNT)	2	2
26	1013103	FENDER, INNER	2	2
27	332	FLATWASHER, 1/4"	6	
28	304	BOLT, 1/4-20 X 1" HEX	6	
29	1012186	SEAL, DUST	2	
30	1010984	NUT, LUG 1/2-20	16	16
31	1015705-01	TIRE AND WHEEL ASSEMBLY, BEIGE (STANDARD RIB)	4	4
31	1015705-02	TIRE AND WHEEL ASSEMBLY, BEIGE (POWER RIB)	4	4
31	1015705-03	TIRE AND WHEEL ASSEMBLY, BEIGE (SOFT TRAC)	4	4
31	1015705-04	TIRE AND WHEEL ASSEMBLY, BEIGE (WHITE WALL POWER RIB)	4	4
31	1015705-05	TIRE AND WHEEL ASSEMBLY, BEIGE (TERRAGARD)	4	4
31	1014774	TIRE AND WHEEL ASSEMBLY, WHITE (POWER RIB)	4	4
31	1014775	TIRE AND WHEEL ASSEMBLY, WHITE (SOFT TRAC)	4	4
31	1014773	TIRE AND WHEEL ASSEMBLY, WHITE (STANDARD RIB)	4	4
31	1015560	TIRE AND WHEEL ASSEMBLY, WHITE (TERRAGARD)	4	4
31	1014772	TIRE AND WHEEL ASSEMBLY, WHITE (WHITE WALL POWER RIB)	4	4
32	1013983	BUMPER, SIDE GUARD	2	2
33	1012047	SCREW, #8-32 SELF TAPPING	8	8
34	7174	LOCKWASHER, 5/16	2	2
35	1242	NUT, 5/16-18 HEX	2	2
36	1011977	BUMPER	1	1
37	1012204	BUMPER PLATE	1	1
38	1010435	CARRIAGE BOLT, 5/16	2	2
39	1015707	WHEEL RIM (BEIGE) (UNMOUNTED RIMS NOT SHOWN)		
39	1014771	WHEEL RIM (WHITE) (UNMOUNTED RIMS NOT SHOWN)		



ELECTRIC

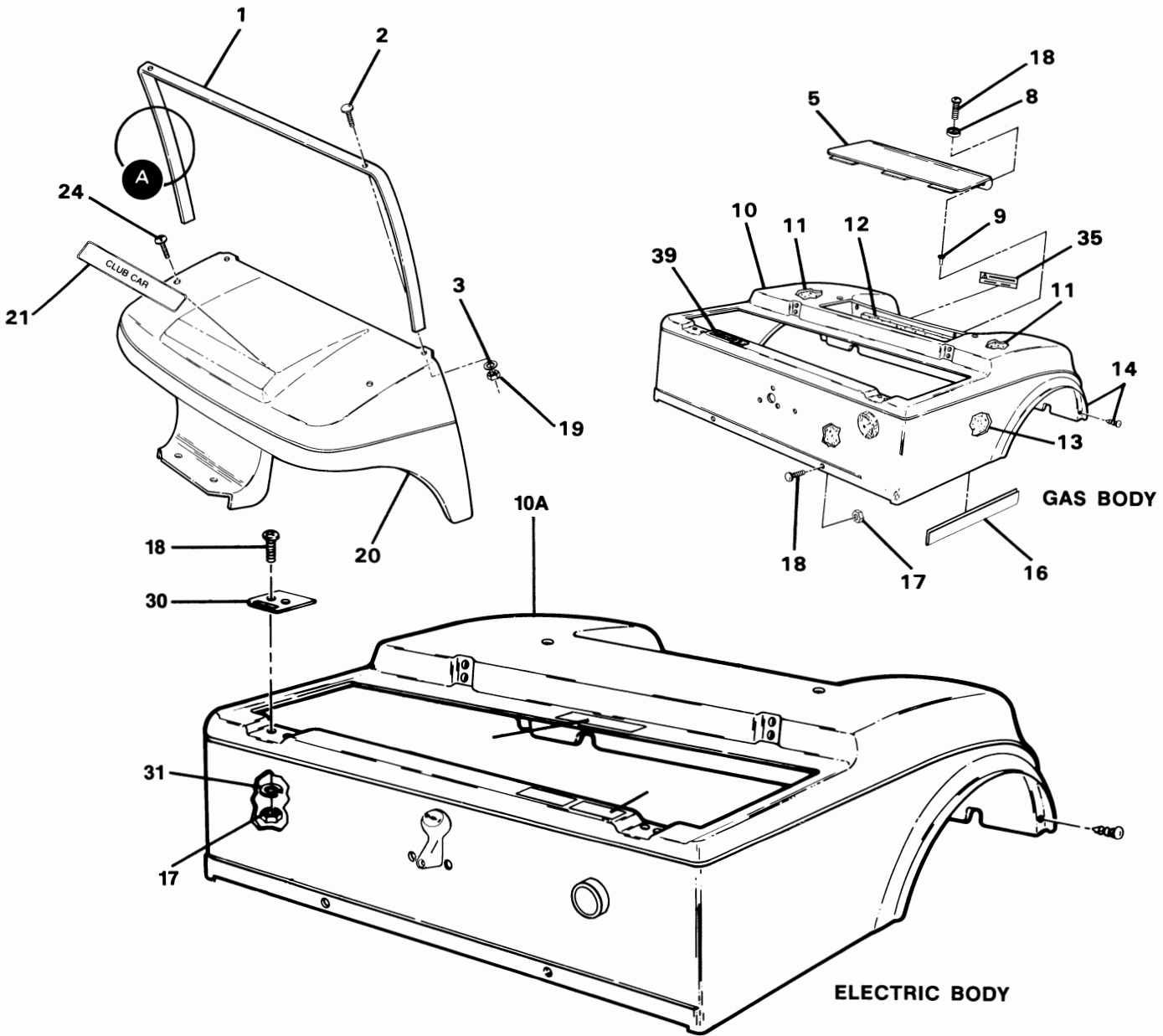
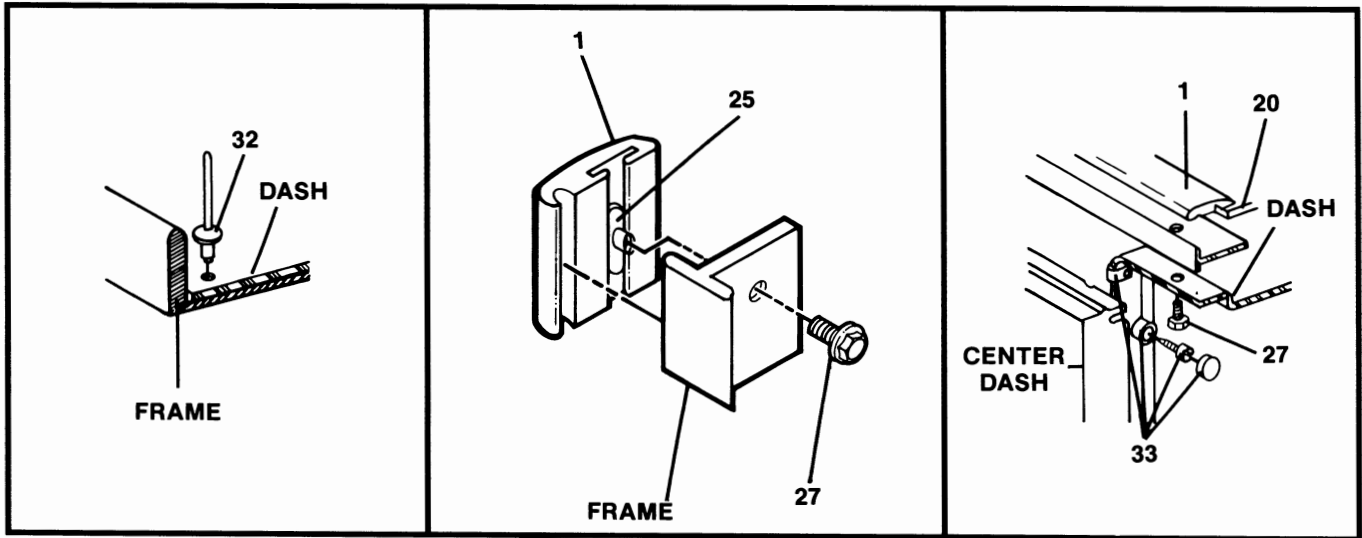


BODY AND TRIM (CONTINUED)

BODY AND TRIM (CONTINUED)

ITEM NUMBER	PART NUMBER	1 2 3 4	DESCRIPTION	UNITS PER VEHICLE	
				GAS	ELECTRIC
41	1028		NUT, 1/4-20 HEX	6	
42	451		LOCKWASHER, 1/4	6	
43	1013509		BOLT, HEX HEAD, 1/4-20 X 1-3/4"		2
44	1013507		SPACER, 1"		2
45	343		BOLT, HEX HEAD, 1/4-20 X 3"		2
46	1013506		SPACER, 2-1/8"		2
47	1012462		BOLT, HEX HEAD, 1/4-20 X 3-1/2"		2
48	1013508		SPACER, 2-3/4"		2
49	332		FLATWASHER, 1/4"		6
50	8233		LOCKNUT, 1/4-20 UNC		6
51	1015421		SOUND INSULATION (LEFT)		1
52	1015422		SOUND INSULATION (RIGHT)		1
53	1015672		TIRE — UNMOUNTED (POWER RIB)	4	4
53	1015674		TIRE — UNMOUNTED (SOFT TRAC)	4	4
53	1015673		TIRE — UNMOUNTED (TERRAGARD)	4	4
53	7271		TIRE — UNMOUNTED (STANDARD RIB)	4	4

G
E
1

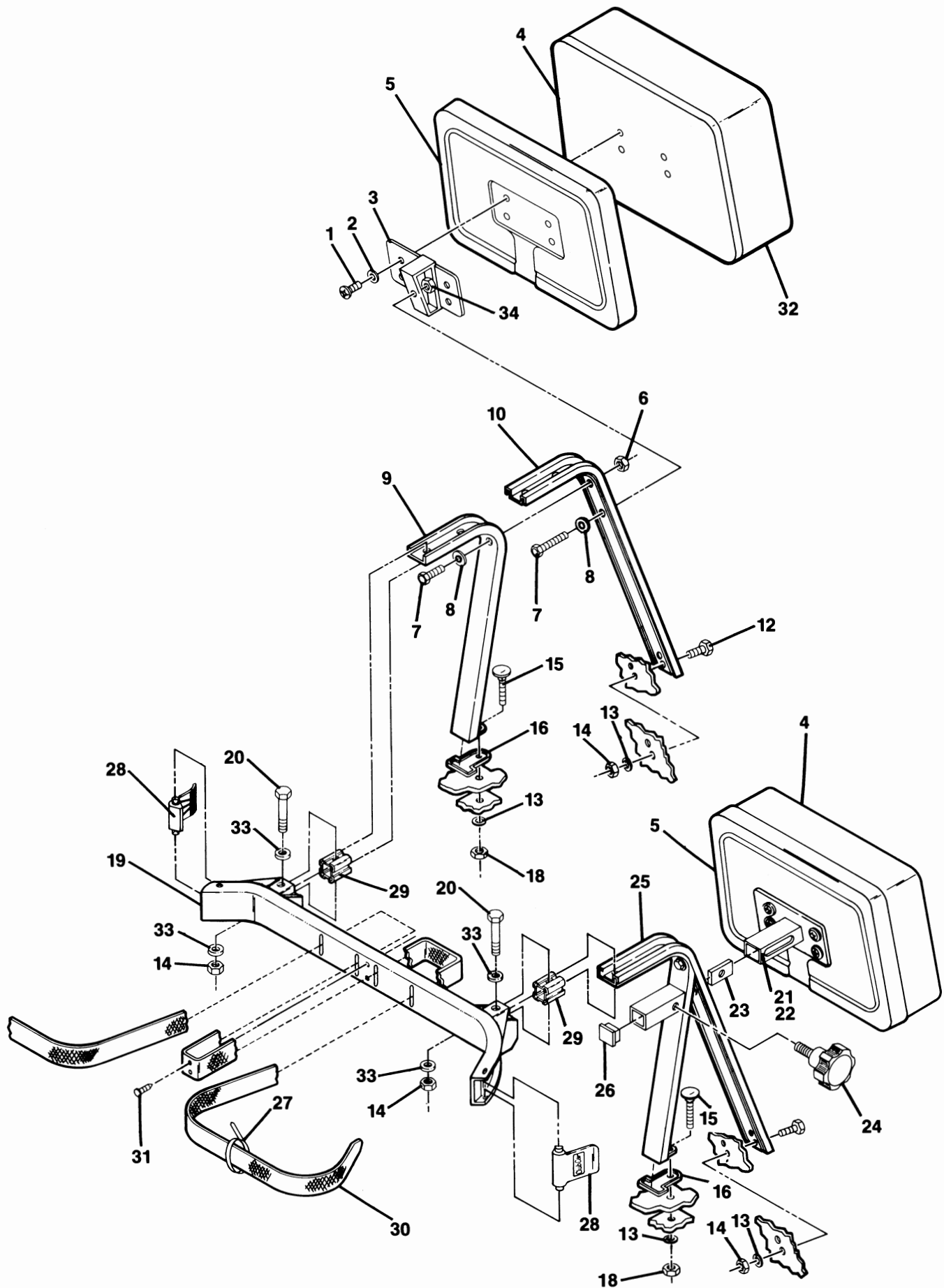


COVERS — FRONT AND REAR

COVERS — FRONT AND REAR

ITEM NUMBER	PART NUMBER	1 2 3 4	DESCRIPTION	UNITS PER VEHICLE	
				GAS	ELECTRIC
1	1011014		COWL TRIM	1	1
2	1010435		CARRIAGE BOLT, 5/16-18 UNC-2A	2	2
3	1241		5/16 FLATWASHER	2	2
5	1013215		ACCESS PANEL (BEIGE) KIT	1	
5	1013218		ACCESS PANEL (BLACK) KIT	1	
8	1012581		NYLON CUP WASHER	2	
9	1015525		1/4-20 BLIND NUT	2	
10	1012782-01		BODY ASSEMBLY (BEIGE) INCLUDES ITEMS 11, 12, AND 13	1	
10	1012782-02		BODY ASSEMBLY (WHITE) INCLUDES ITEMS 11, 12, AND 13	1	
10	1012782-03		BODY ASSEMBLY (NON STANDARD) INCLUDES ITEMS 11, 12, AND 13	1	
10	1012782-04		BODY ASSEMBLY (GRAY) INCLUDES ITEMS 11, 12, AND 13	1	
10	1013054-01		BODY ASSEMBLY WITH TAILLIGHT OPENING (BEIGE) INCLUDES ITEMS 11, 12, AND 13	1	
10	1013054-02		BODY ASSEMBLY WITH TAILLIGHT OPENING (WHITE) INCLUDES ITEMS 11, 12, AND 13	1	
10	1013054-03		BODY ASSEMBLY WITH TAILLIGHT OPENING (NON STANDARD) INCLUDES ITEMS 11, 12, AND 13	1	
10	1013054-04		BODY ASSEMBLY WITH TAILLIGHT OPENING (GRAY) INCLUDES ITEMS 11, 12, AND 13	1	
10A	1011263-01		BODY (BEIGE)		1
10A	1011263-02		BODY (WHITE)		1
10A	1011263-03		BODY (NON-STANDARD)		1
10A	1011263-04		BODY (GRAY)		1
10A	1012080-01		BODY WITH TAILLIGHT OPENINGS (BEIGE)		1
10A	1012080-02		BODY WITH TAILLIGHT OPENINGS (WHITE)		1
10A	1012080-03		BODY WITH TAILLIGHT OPENINGS (NON-STANDARD)		1
10A	1012080-04		BODY WITH TAILLIGHT OPENINGS (GRAY)		1
11	1015420		SOUND INSULATION	2	
12	1015423		SOUND INSULATION	1	
13	1015419		SOUND INSULATION	1	
14	1013350		FENDER TRIM KIT, BEIGE	1	1
14	1013351		FENDER TRIM KIT, BLACK	1	1
16	1011306		VINYL TRIM	2	2
17	8233		LOCKNUT, 1/4-20 NYLON	6	6
18	8251		SCREW, 1/4-20 X 1.00 PHILLIPS HEAD	8	8
19	7473		LOCKNUT, 5/16-18 UNC-2B	2	2
20	1015123-01		COWL (BEIGE)	1	1
20	1015123-02		COWL (WHITE)	1	1
20	1015123-03		COWL (NON STANDARD)	1	1
20	1015123-04		COWL (GRAY)	1	1
20	1016225-01		COWL WITH HEADLIGHT OPENING (BEIGE)	1	1
20	1016225-02		COWL WITH HEADLIGHT OPENING (WHITE)	1	1
20	1016225-03		COWL WITH HEADLIGHT OPENING (NON STANDARD)	1	1
20	1016225-04		COWL WITH HEADLIGHT OPENING (GRAY)	1	1
21	1014198		NAME PLATE KIT	1	1
24	7251		SCREW, 5/16-18 X 1.00 PHILLIPS HEAD TRUSS	2	2
25	1011394		SLAB BASE "T" NUT PACKAGE (4 PIECES)	1	1
27	1011017		FLANGE LOCK SCREW	6	6
28	1013677		BATTERY DANGER DECAL		1
29	1013496		RESISTOR WARNING DECAL		1
30	1012412		HINGE PLATE	2	2
31	332		FLATWASHER, 1/4"	4	4
32	7973		POP RIVET, 3/16 X 1/2"	7	7
33	1013986		SNAP WASHER KIT (BROWN)	2	2
33	1014645		SNAP WASHER KIT (BLACK)	2	2
35	1013392		WARNING: MOVING PARTS DECAL	1	
39	1013395		GASOLINE TANK DANGER LABEL	1	

G
E
1



SEAT BACK AND BAG HOOP

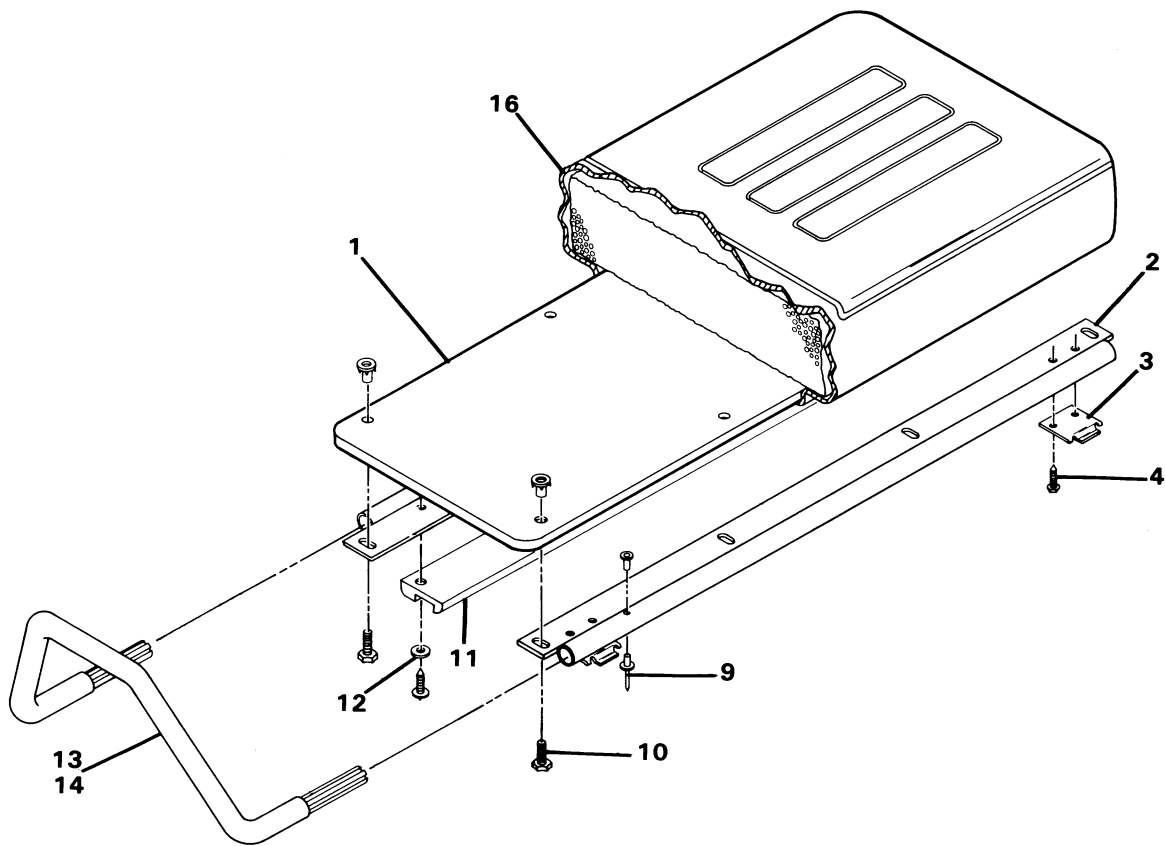
SEAT BACK AND BAG HOOP

ITEM NUMBER	PART NUMBER	1 2 3 4	DESCRIPTION	UNITS PER VEHICLE	UNITS PER VEHICLE
				GAS	ELECTRIC
1	8248		SCREW, 1/4-20 X 3/4"	8	8
2	8304		LOCKWASHER, 1/4" INTERNAL TOOTH	8	8
3	1011716		PLATE MOUNTING ASSEMBLY	2	2
4	1015651-01		SEAT BACK ASSEMBLY — THICK BUNN (BUFF WITH BROWN CAP) INCLUDES ITEM 5	2	2
4	1015651-02		SEAT BACK ASSEMBLY — THICK BUNN (WHITE WITH BLACK CAP) INCLUDES ITEM 5	2	2
4	1015651-03		SEAT BACK ASSEMBLY — THICK BUNN (NON-STANDARD WITH BLACK CAP) INCLUDES ITEM 5	2	2
4	1015651-04		SEAT BACK ASSEMBLY — THICK BUNN (WHITE WITH TAN CAP) INCLUDES ITEM 5	2	2
5	1011231		CAP, SEAT BACK (TAN)	2	2
5	1013938		CAP, SEAT BACK (BROWN)	2	2
5	1013335		CAP, SEAT BACK (BLACK)	2	2
6	8233		LOCKNUT, 1/4-20 NYLON	2	2
7	7847		BOLT, HEX HEAD, 1/4-20 X 3/4"	4	4
8	332		FLATWASHER, 1/4"	6	6
9	1011710		KNEE BRACE WELD ASSEMBLY	2	2
10	1011708		MAIN SEAT BACK SUPPORT	2	2
12	1218		BOLT, HEX HEAD, 5/16-18 X 1-1/4"	4	4
13	1241		FLATWASHER, 5/16"	6	6
14	7473		LOCKNUT, 5/16-18 NYLON	8	8
15	7818		BOLT, 5/16-18 X 1-1/2" CARRIAGE	2	2
16	1011706		MOUNTING PAD	2	2
18	1242		NUT, HEX, 5/16-18	2	2
19	1013935		BAG HOOP ASSEMBLY INCLUDES ITEMS 28, 30 AND 31	1	1
20	8935		BOLT, HEX HEAD, 5/16-18 X 2-1/4"	2	2
21	1011794		ADJUSTABLE SEAT BACK KIT (OPTION) INCLUDES ITEMS 22-26	A/R	A/R
22	1011752		MOUNTING PLATE WELD ASSEMBLY	2	2
23	1010322		SEAT ADJUSTER LOCK	2	2
24	1011761		SEAT ADJUSTER KNOB	2	2
25	NO #		ADJUSTABLE SEAT BACK WELD ASSEMBLY (SEE ITEM 21)	2	2
26	1011760		TUBE PLUG	2	2
27	8639		TIE WRAP	1	1
28	1013754		BUCKLE	2	2
29	1013884		SPACER, BAG HOOP	2	2
30	1010413		BELT STRAP ASSEMBLY	1	1
31	1010434		PLASTIC BARRELS (BLACK)	2	2
32	1015626-01		VINYL COVER - SEAT BACK (BUFF)	A/R	A/R
32	1015626-02		VINYL COVER - SEAT BACK (WHITE)	A/R	A/R
32	1015626-03		VINYL COVER - SEAT BACK (NON-STANDARD)	A/R	A/R
33	1011697		FLATWASHER, 5/16"	4	4
34	1015661		1/4-20 FLANGE LOCKNUTS	2	2

G

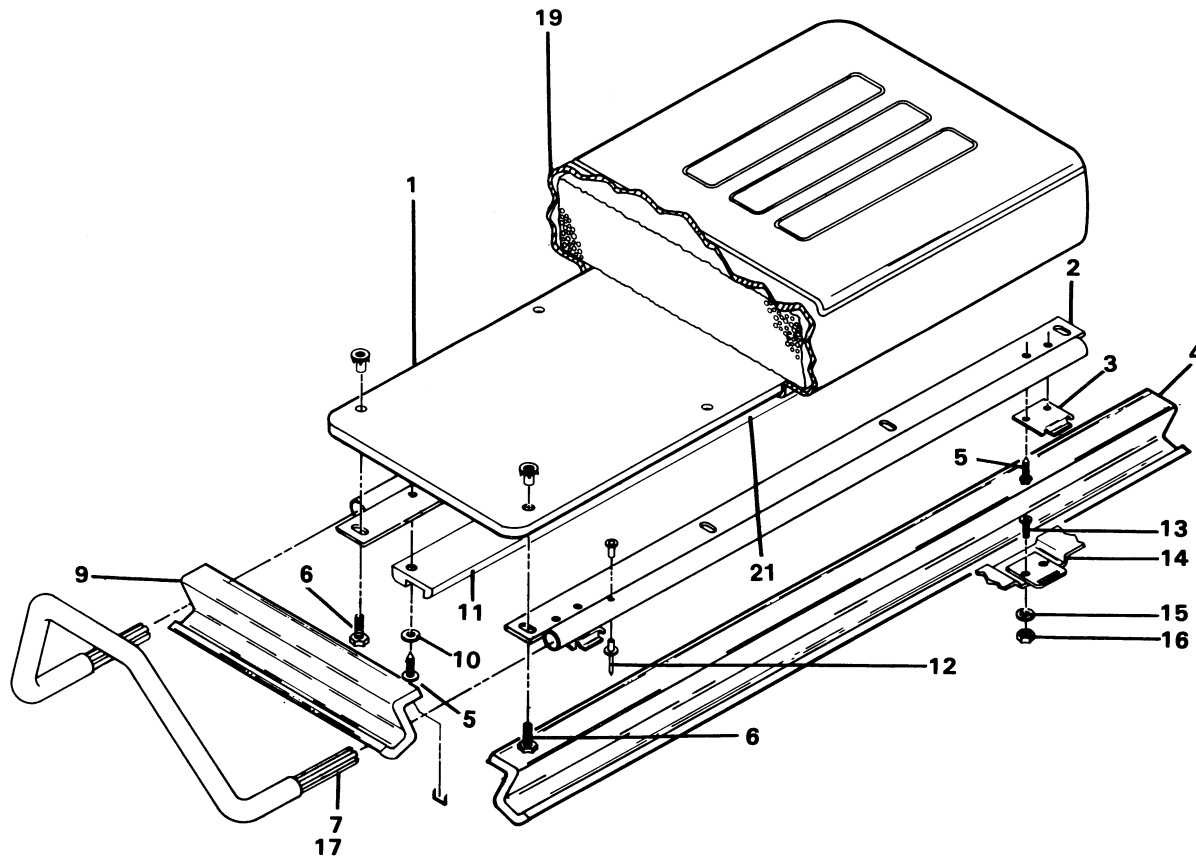
E

1



SEAT BOTTOM AND ARMREST — ELECTRIC VEHICLE

ITEM NUMBER	PART NUMBER	1 2 3 4				DESCRIPTION	UNITS PER VEHICLE
		1	2	3	4		
1	1015648-04					SEAT BOTTOM ASSEMBLY, (BUFF)	1
1	1015648-05					SEAT BOTTOM ASSEMBLY, (WHITE)	1
1	1015648-06					SEAT BOTTOM ASSEMBLY, (NON-STANDARD)	1
2	1015625					BRACKET, SEAT SUPPORT	2
3	1011652					PLATE, SEAT HINGE	2
4	1011451					SCREW, #12 TYPE AB	2
9	1012327					RIVET, 3/16" MATING	9
10	304					BOLT, 1/4-20 HEX	4
11	1012597					BUMPER, SEAT	8
12	183					WASHER, #10 FLAT	1
13	1011786					LEFT ARMREST ASSEMBLY	3
14	1011780					RIGHT ARMREST ASSEMBLY	1
15	1015670					ARMREST SEAT BOTTOM ASSEMBLY KIT INCLUDES ITEMS 2, 9, 13 AND 14	1
16	1015627-01					VINYL COVER - SEAT BOTTOM (BUFF)	A/R
16	1015627-02					VINYL COVER - SEAT BOTTOM (WHITE)	A/R
16	1015627-03					VINYL COVER - SEAT BOTTOM (NON-STANDARD)	A/R



SEAT BOTTOM AND ARMREST ASSEMBLY — GAS VEHICLE

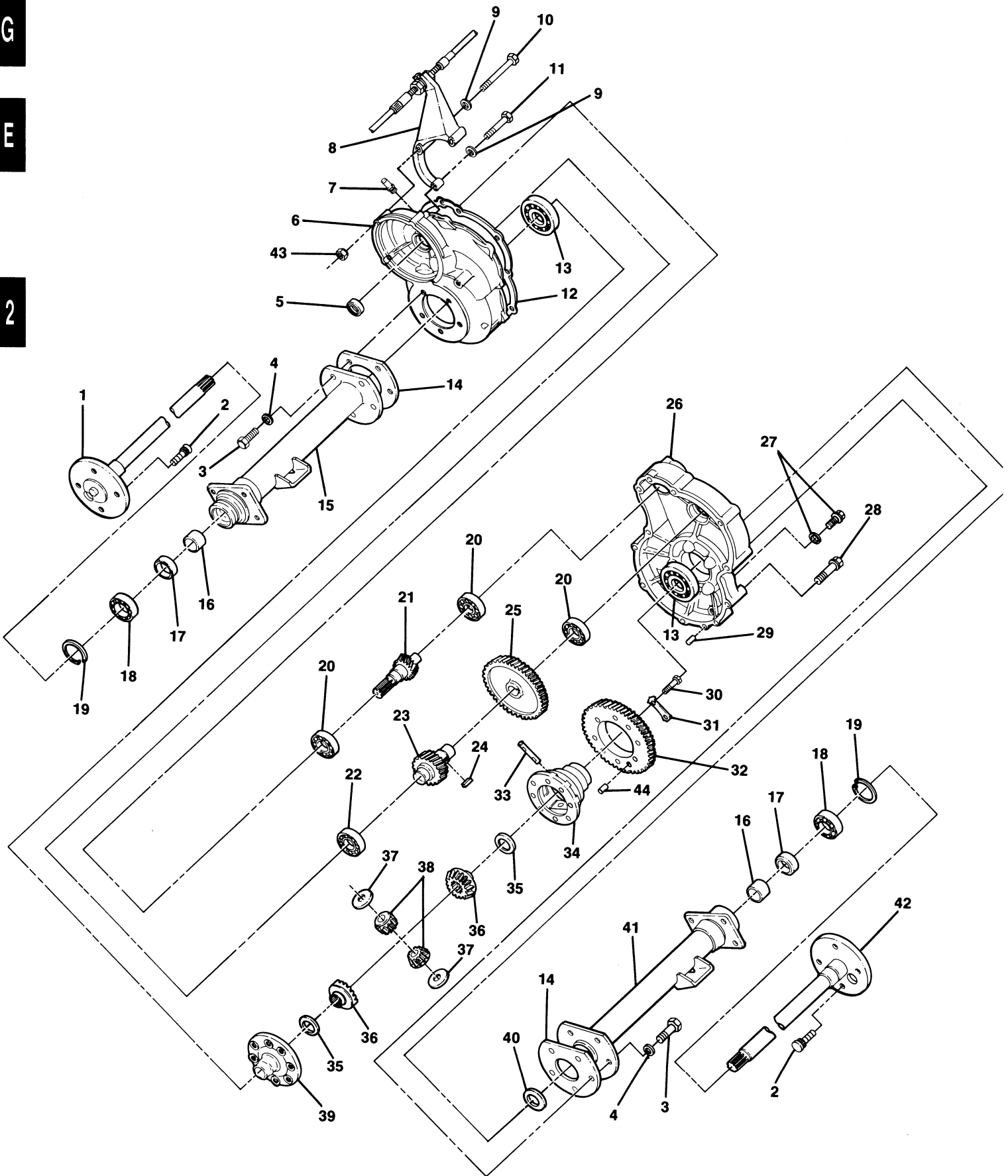
ITEM NUMBER	PART NUMBER	1 2 3 4	DESCRIPTION	UNITS PER VEHICLE
1	1015648-04		SEAT BOTTOM ASSEMBLY (BUFF)	1
1	1015648-05		SEAT BOTTOM ASSEMBLY (WHITE)	1
1	1015648-06		SEAT BOTTOM ASSEMBLY (NON STANDARD)	1
2	1015625		BRACKET, SEAT SUPPORT	2
3	1011652		PLATE, SEAT HINGE	2
4	1012657		GASKET, SEAT (LONG)	1
5	1011451		SCREW, #12 TYPE AB	9
6	304		BOLT, 1/4-20 HEX	8
7	1011786		LEFT ARMREST ASSEMBLY	1
9	1012656		GASKET, SEAT (SHORT)	2
10	183		WASHER, #10 FLAT	5
11	1012597		BUMPER, SEAT	1
12	1012327		RIVET, 3/16 MATING	4
13	8251		SCREW, 1/4-20 PHILLIPS HEAD	4
14	1012412		PLATE, BODY HINGE	2
15	332		WASHER, 1/4 FLAT	4
16	8233		NUT, 1/4-20 NYLON LOCK	4
17	1011780		RIGHT ARMREST ASSEMBLY	1
19	1015627-01		VINYL COVER - SEAT BOTTOM (BUFF)	A/R
19	1015627-02		VINYL COVER - SEAT BOTTOM (WHITE)	A/R
19	1015627-03		VINYL COVER - SEAT BOTTOM (NON STANDARD)	A/R
20	1015670		ARMREST SEAT BOTTOM ASSEMBLY KIT INCLUDES ITEMS 2, 12, 7 AND 17	1
21	1015417		SOUND INSULATION (NOT SHOWN)	1
22	1016623		INSULATION RETAINER (NOT SHOWN)	2

G

E

1

Section 2
DRIVE UNIT



DRIVE UNIT

DRIVE UNIT

ITEM NUMBER	PART NUMBER	1 2 3 4	DESCRIPTION	UNITS PER VEHICLE
	1013664		DRIVE UNIT	1
			INCLUDES ALL ITEMS EXCEPT 8, 9, 10, 11 AND 43	
1	1013785		AXLE ASSEMBLY, RIGHT	1
			INCLUDES ITEMS 2, 16, 18 AND 19	
2	1013787		LUG STUD	8
3	1013790		BOLT (10 X 30)	10
4	1013791		LOCKWASHER	10
5	1013775		INPUT SHAFT OIL SEAL	1
6	1013756		GEAR CASE — RIGHT HAND	1
7	1012711		BREATHER PLUG	1
8	1013866		SHIFT CABLE SUPPORT BRACKET KIT (GAS VEHICLE ONLY)	1
			INCLUDES ITEMS 9, 10, 11 AND 43	
9	332		1/4" FLATWASHER	6
10	1013872		1/4-20 X 4" HEX BOLT	2
11	1012462		1/4-20 X 3-1/2" HEX BOLT	1
12	1013758		GASKET	1
13	7330		INNER AXLE, TUBE BEARING	2
14	1013789		GASKET — AXLE TUBE	2
15	1014209		AXLE TUBE ASSEMBLY — RIGHT HAND	1
16	1014207		BUSHING WITH GROOVE IN END	1
17	1013794		AXLE SHAFT OIL SEAL	2
18	1011291		OUTER AXLE TUBE BEARING	2
19	1013792		CIRCLIP, TYPE-C	2
20	7335		INPUT GEAR BEARING	3
21	1013764		SHAFT, INPUT	1
22	7336		INTERMEDIATE GEAR BEARING	1
23	1013766		INTERMEDIATE GEAR — SMALL	1
24	1013780		KEY, SUNK	1
25	1013765		INTERMEDIATE GEAR — LARGE	1
26	1013757		GEAR CASE — LEFT HAND	1
27	1013759		FILL PLUG WITH GASKET	2
28	1013763		BOLT (6 X 50)	10
29	1012710		PIN, DOWEL	2
30	1013779		BOLT (8 X 37)	8
31	1013782		PLATE, LOCK	4
32	1013767		OUTPUT GEAR	1
33	1013772		DIFFERENTIAL PIN	1
34	1013768		DIFFERENTIAL GEAR CASE — LEFT HAND	1
35	1013773		PLATE, THRUST (DIFFERENTIAL GEAR)	2
36	1013771		DIFFERENTIAL GEAR	2
37	1013774		PLATE, THRUST (IDLER GEAR)	2
38	1013770		DIFFERENTIAL IDLER GEAR	2
39	1013769		DIFFERENTIAL GEAR CASE — RIGHT HAND	1
40	1013781		SHIM	A/R
41	1014210		AXLE TUBE ASSEMBLY — LEFT HAND	1
42	1013786		AXLE ASSEMBLY, LEFT	1
			INCLUDES ITEMS 2, 16, 18 AND 19	
43	8233		1/4-20 NYLON LOCKNUT	3
44	1014193		PIN, DOWEL	1

G

E

2

G

E

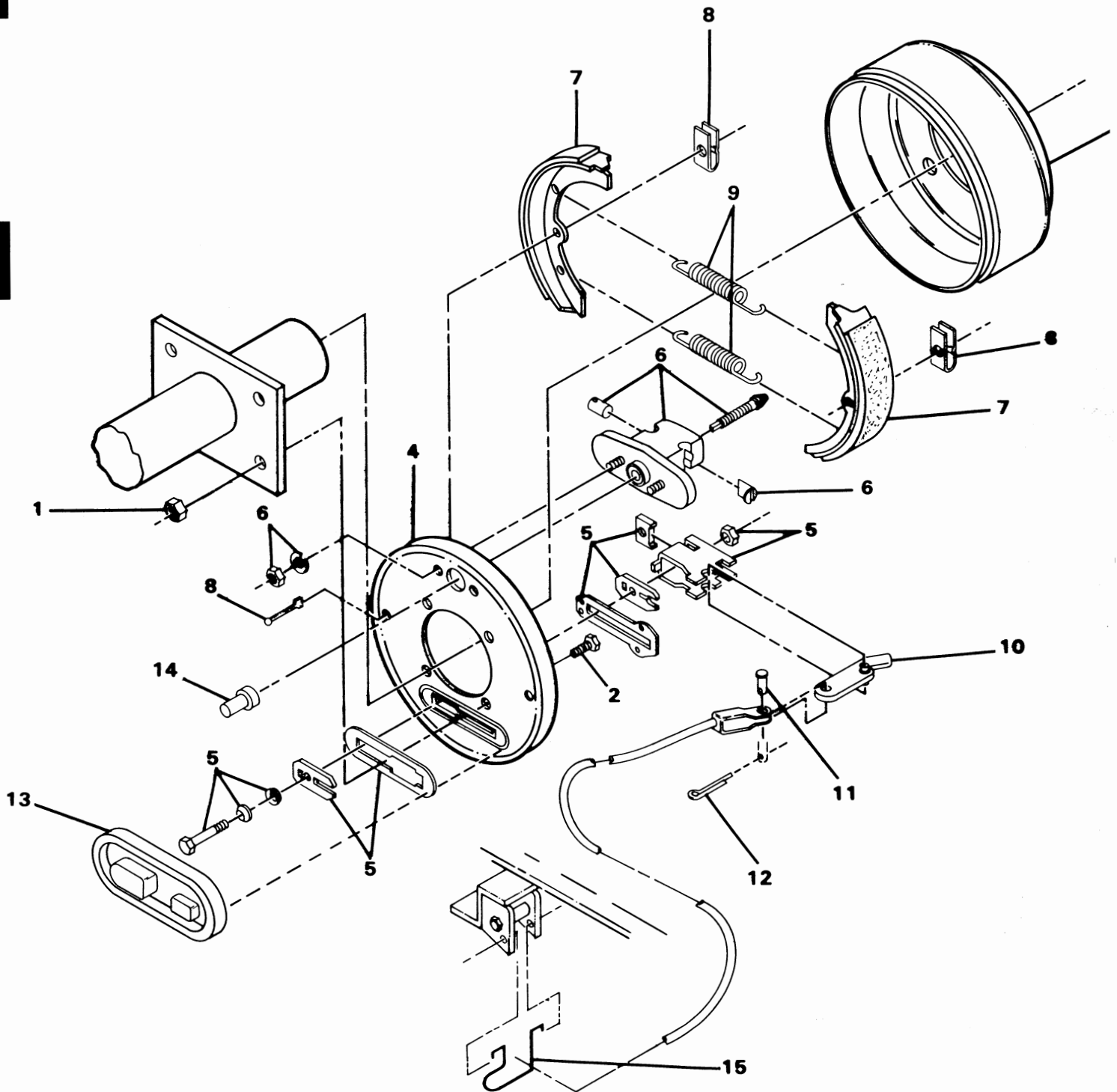
2

Section 3

BRAKES, PEDAL AND CABLE ASSEMBLY

G

E



BRAKE CLUSTER, RIGHT HAND AND LEFT HAND

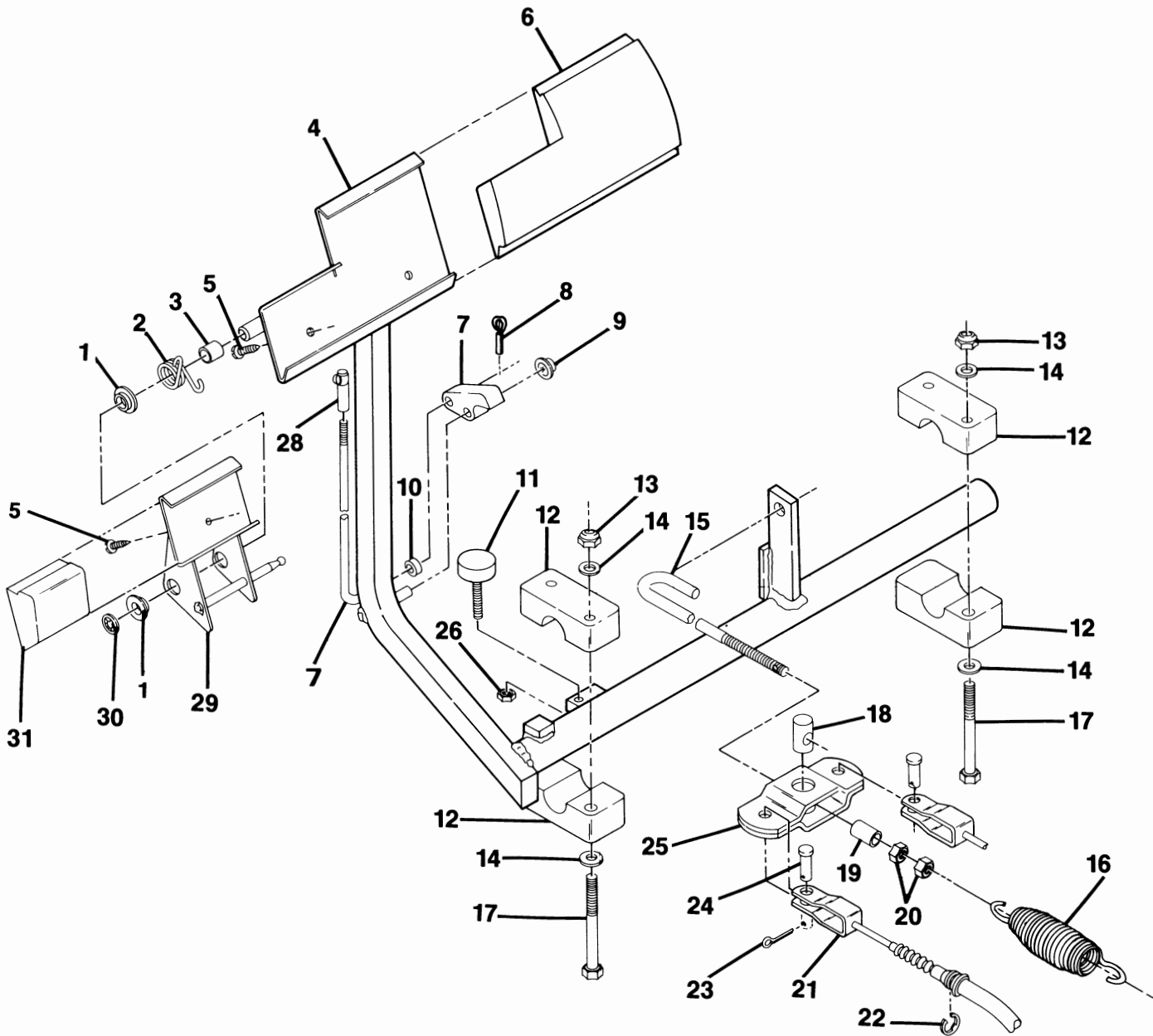
BRAKE CLUSTER, RIGHT HAND AND LEFT HAND

ITEM NUMBER	PART NUMBER	DESCRIPTION				UNITS PER VEHICLE
		1	2	3	4	
	1016573	RIGHT HAND BRAKE CLUSTER COMPLETE INCLUDES ITEMS 4 THRU 14				1
	1016557	LEFT HAND BRAKE CLUSTER COMPLETE INCLUDES ITEMS 4 THRU 14				1
1	1013924	LOCKNUT, 5/16-24, GRADE 8				8
2	1014153	BOLT, BRAKE CLUSTER MOUNTING				8
3	1011137	DRUM, BRAKE				2
4	1011494	PLATE BACKING, LEFT HAND				1
4	1011154	PLATE BACKING, RIGHT HAND				1
5	1011465	BRAKE ACTUATOR KIT				1
6	1011467	ANCHOR BODY KIT INCLUDES ITEM 16				1
7	1011433	BRAKE SHOE PACKAGE (4 PIECES)				1
8	1011466	SHOE RETAINER KIT				1
9	1011464	BRAKE SPRING PACKAGE				1
10	1011297	ARM, BRAKE LEVER				2
11	1010829	PIN, 5/16" CLEVIS				2
12	1035	PIN, COTTER				2
13	1010850	COVER, DUST				2
14	1011303	CAP, ADJUSTMENT BOLT				2
15	1013207	BRAKE CABLE HANGER				2

G

E

3



BRAKE PEDAL AND CABLE ASSEMBLY

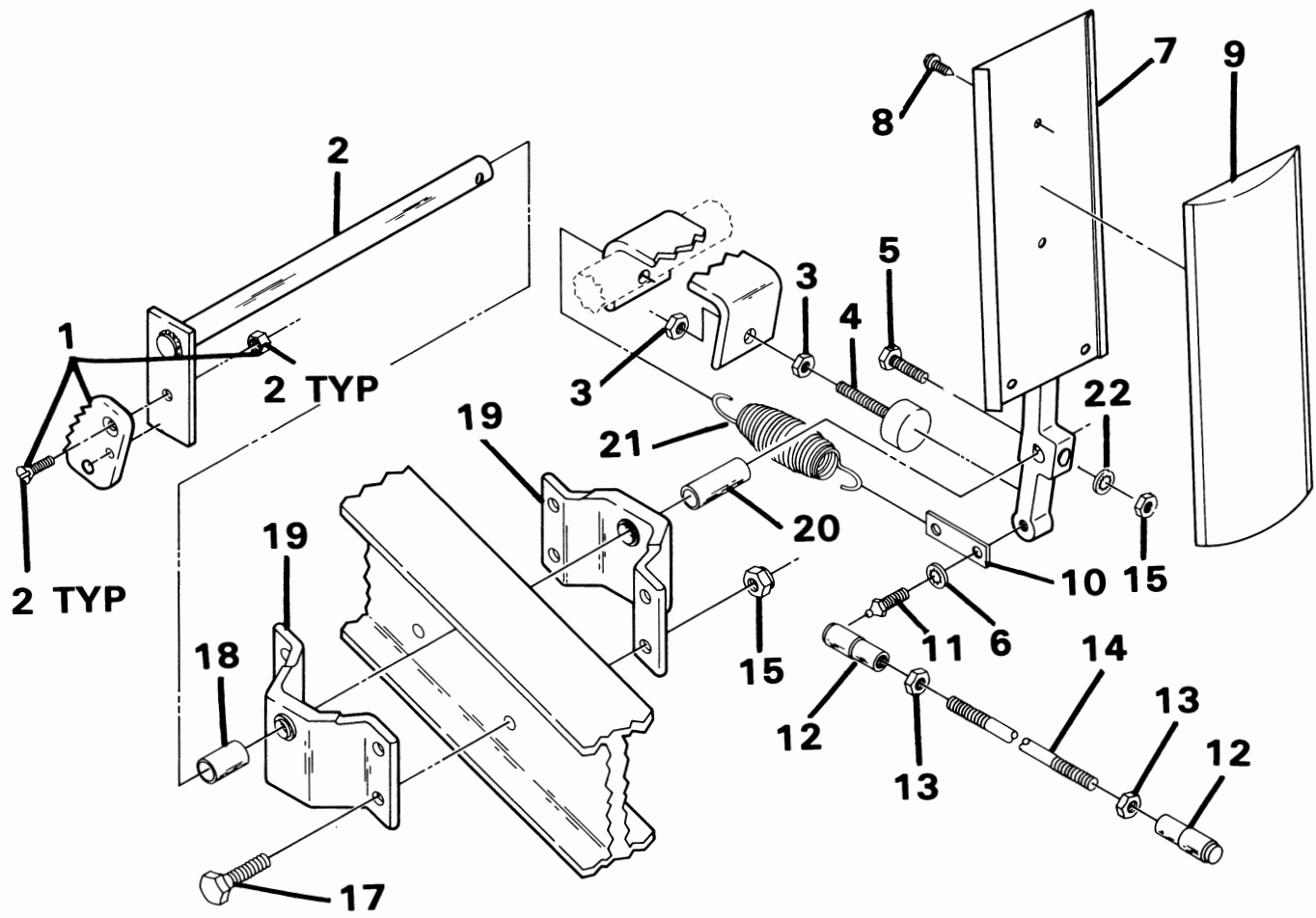
BRAKE PEDAL AND CABLE ASSEMBLY

ITEM NUMBER	PART NUMBER	DESCRIPTION				UNITS PER VEHICLE
		1	2	3	4	
1	1032					2
2	1010933					1
3	1010927					1
4	1011406					1
5	7716					6
6	1013869					1
7	1016173					1
8	1017039					1
9	1010877					1
10	1010805					1
11	1010878					1
12	1011402					1
13	7473					4
14	1241					8
15	1010808					1
16	1013532					1
17	1010921					4
18	1010814					1
19	1013855					1
20	1242					2
21	1011403					2
22	1011779					4
23	1035					2
24	1010829					2
25	1010809					1
26	1028					1
28	1010932					1
29	1011418					1
30	1013876					1
31	1013870					1

G

E

3



ACCELERATOR PEDAL ASSEMBLY

ACCELERATOR PEDAL ASSEMBLY

ITEM NUMBER	PART NUMBER	1	2	3	4	DESCRIPTION	UNITS PER VEHICLE
1	1011877					LATCH, HILL BRAKE	1
2	1016166					ROD, ACCELERATOR PIVOT	1
3	1028					NUT, 1/4-20 HEX	2
4	1010878					STOP, BRAKE	1
5	1016619					BOLT, 1/4-20 HEX	1
6	1014007					1/4" FLATWASHER	1
7	1016377-01					ACCELERATOR PEDAL ASSEMBLY INCLUDES ITEMS 8, 9, 10, 11	1
8	7716					SCREW, #10-16 SHEET METAL	4
9	1013871					PAD, ACCELERATOR	1
10	1011691					HANGER, ACCELERATOR PEDAL SPRING	1
11	1016157					BALL STUD, 1/4-28 X 1.00	1
12	1011734					BALL JOINT, 1/4-28 SPRING LOADED	2
13	1011084					NUT, 1/4-28 JAM	2
14	1014085					ROD, ACCELERATOR (ELECTRIC VEHICLE) INCLUDES ITEMS 12 AND 13	1
14	1016168					ROD, ACCELERATOR (GAS VEHICLE) INCLUDES ITEMS 12 AND 13	1
15	8233					LOCKNUT, 1/4-20 NYLON	5
17	7479					BOLT, 1/4-20 HEX	4
18	1011699					SPACER, 1/2"	1
19	1011694					BRACKET, ACCELERATOR BEARING	2
20	1011700					SPACER, ACCELERATOR	1
21	1012075					SPRING EXTENSION	1
22	332					1/4" FLATWASHER	1

G

E

3

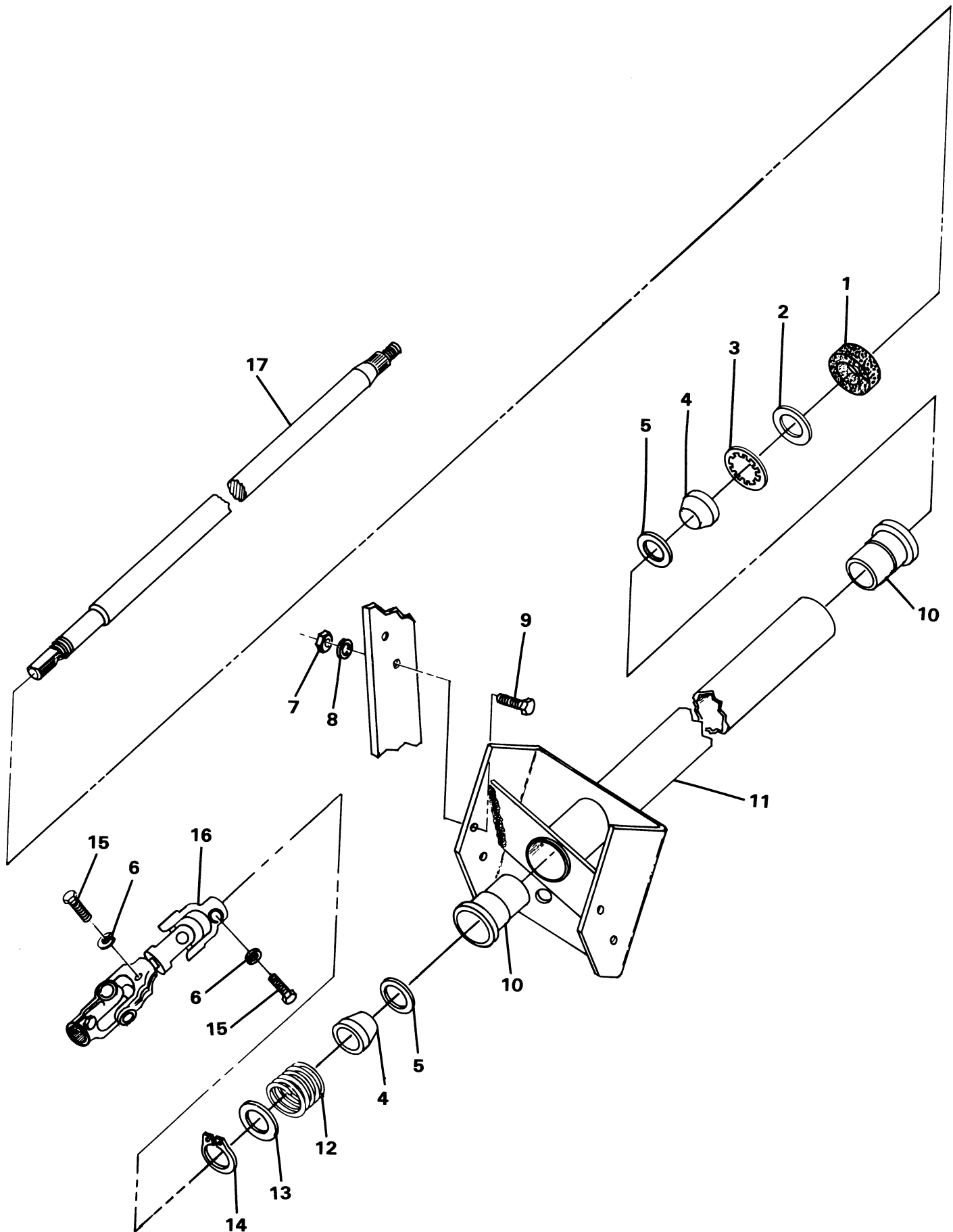
G

E

3

Section 4

STEERING AND FRONT SUSPENSION



STEERING COLUMN ASSEMBLY — STEEL

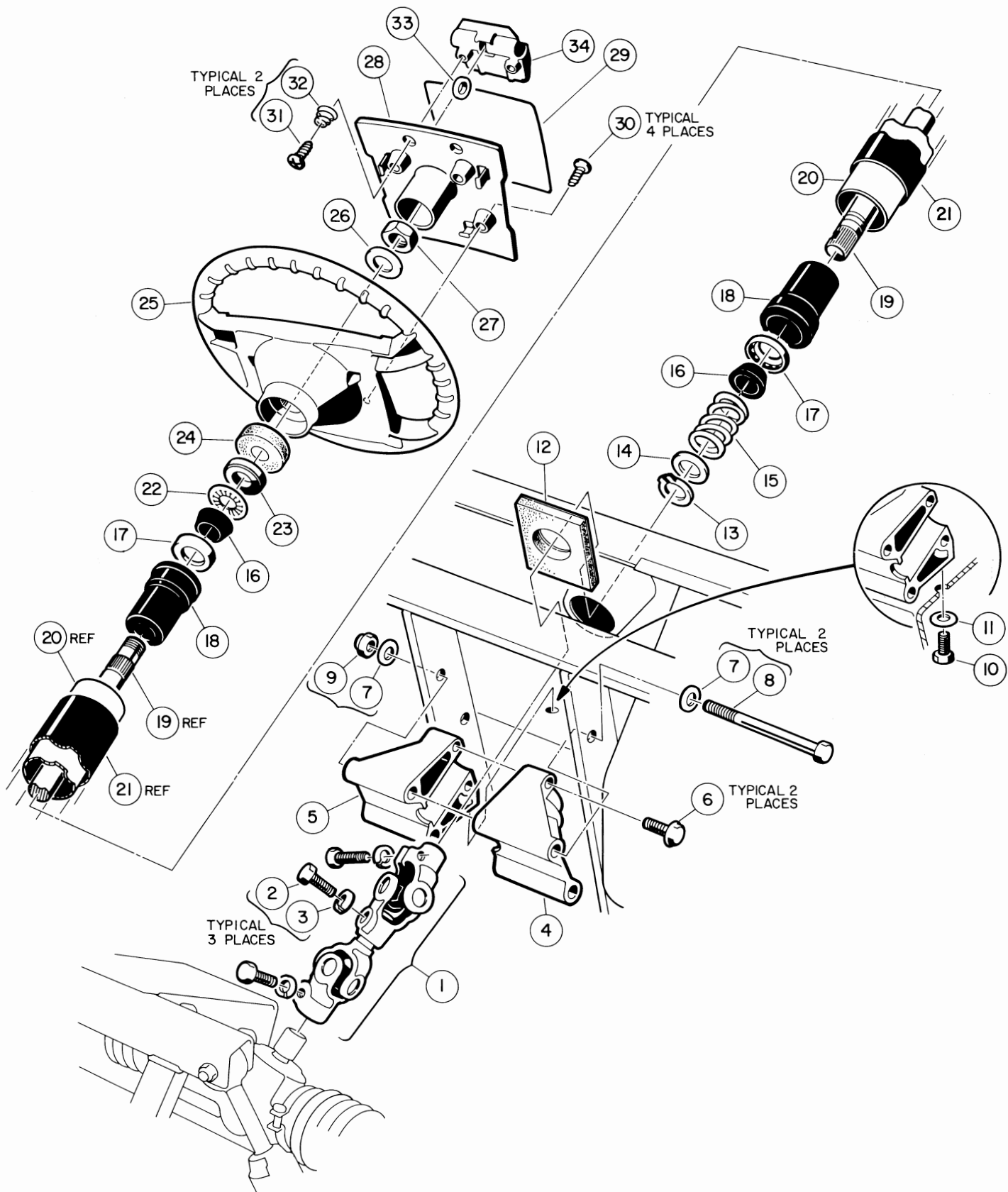
STEERING COLUMN ASSEMBLY — STEEL

ITEM NUMBER	PART NUMBER	DESCRIPTION 1 2 3 4	UNITS PER VEHICLE
1	1012466	COVER, DUST	1
2	1014211	SEAL BEARING	1
3	1014214	RING, RETAINING	1
4	1014125	WEDGE	2
5	1014213	BEARING	2
6	7174	LOCKWASHER, 5/16"	2
7	8754	LOCKNUT, 3/8-16	4
8	334	FLATWASHER, 3/8"	4
9	320	BOLT, HEX, 3/8-16	4
10	1014126	BEARING SEAT	2
11	NO #	COLUMN WELD ASSEMBLY	1
12	1014217	SPRING	1
13	1012604	WASHER	1
14	1012605	SNAP RING	1
15	1012830	BOLT, HEX, 8MM	2
16	1013861	JOINT YOKE COMPOUND STEERING INCLUDES ITEMS 6 AND 15	1
17	1015545	SHAFT	1
18	1015546	STEERING COLUMN ASSEMBLY INCLUDES ITEMS 11 THRU 15	1
19	1014216	STEERING COLUMN REBUILT KIT INCLUDES ITEMS 11 THRU 15	A/R
NOTE: SEE PAGE 4-4 FOR STEERING WHEEL AND SCORECARD COMPONENTS — ITEMS 25 THRU 34.			

G

E

4



STEERING COLUMN — ALUMINUM

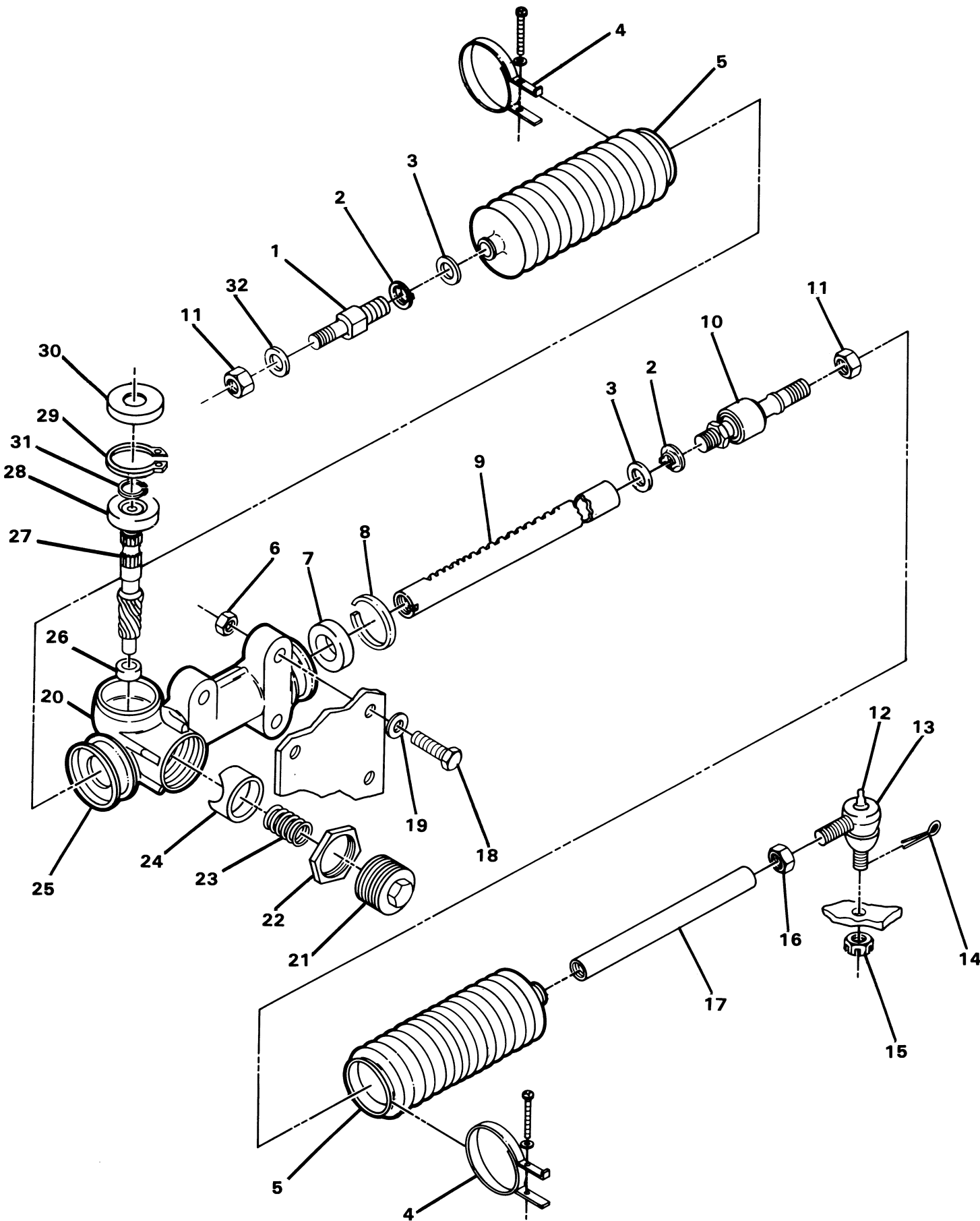
STEERING COLUMN — ALUMINUM

ITEM NUMBER	PART NUMBER	1 2 3 4	DESCRIPTION	UNITS PER VEHICLE
1	1013861		COMPOUND STEERING JOINT INCLUDES ITEMS 2 AND 3	1
2	1012830		HEX HEAD BOLT, 8MM	3
3	7174		LOCKWASHER, 5/16" DIAMETER	
4	1016185		STEERING COLUMN MOUNT, LEFT HAND	1
5	1016184		STEERING COLUMN MOUNT, RIGHT HAND	1
6	1016269		HEX WASH HEAD THREAD FORMING SCREW, 5/16-18 X 2	2
7	334		FLATWASHER, 3/8" DIAMETER	4
8	1016183		HEX HEAD BOLT, 3/8-16 X 6-1/2	2
9	8754		NYLON LOCKNUT, 3/8-16	2
10	1014288		HEX HEAD THREAD FORMING SCREW, 5/16-18 X 3/4	2
11	1011697		FLATWASHER, 5/16" DIAMETER	1
12	1011018		DUST BOOT	1
13	1012605		RETAINING RING	1
14	1012604		WASHER	1
15	1014217		SPRING	1
16	1014125		WEDGE	2
17	1014213		BEARING ASSEMBLY	2
18	1014126		BEARING SEAT	2
19	1015545		STEERING SHAFT	1
20	1016622		STEERING TUBE	1
21	1016263		STEERING TUBE COVER	1
22	1014214		RETAINING RING	1
23	1014211		BEARING SEAL	1
24	1012466		DUST COVER	1
25	1016156		STEERING WHEEL	1
26	1012604		FLATWASHER, 5/8" DIAMETER	1
27	7278		HEX JAM NUT, 5/8-18	1
28	1016219		SCORE CARD PLATE ASSEMBLY INCLUDES ITEMS 28 AND 31 THRU 34	1
29	1016216		OPERATING INSTRUCTIONS DECAL	1
30	1010715		TRI-LOBULAR SCREW, #10-14	4
31	1012565		SCREW, #12	2
32	1012566		SPRING	2
33	1016214		PENCIL GRIP	1
34	1016154		SCORE CARD CLIP	1
	1016181		STEERING COLUMN ASSEMBLY INCLUDES ITEMS 13 THRU 20, 22 AND 23	

G

E

4



STEERING ASSEMBLY

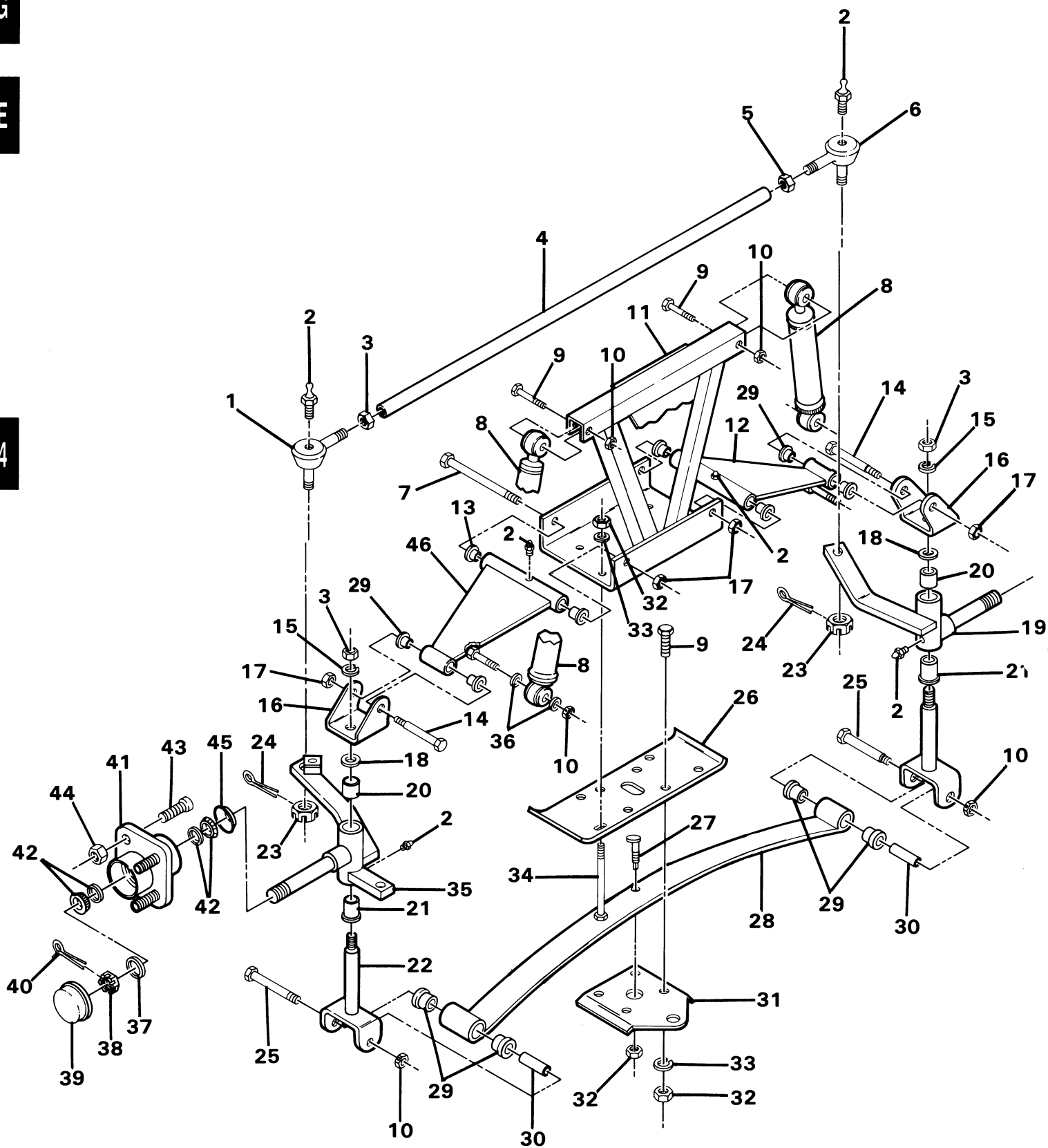
STEERING ASSEMBLY

ITEM NUMBER	PART NUMBER	1 2 3 4				DESCRIPTION	UNITS PER VEHICLE
1	1013053					BOLT, STOPPER, 12MM	1
2	1013040					LOCKWASHER, TIE ROD	2
3	1013039					WASHER, TIE ROD STOPPER	2
4	1013034					BAND, BELLOWS	2
5	1013035					SEAL, DUST	2
6	1010138					LOCKNUT, 3/8-16	3
7	1013036					BUSHING, RACK	1
8	1013037					RING, SNAP	1
9	NO #					RACK, STEERING (SEE ITEM 20)	1
10	1013041					END, RACK	1
11	1013042					NUT, HEX, 12MM	2
12	1015597					FITTING, GREASE	1
13	7540					SOCKET, VERTICAL, LEFT HAND INCLUDES ITEMS 12 AND 15	1
14	1035					PIN, COTTER	1
15	7602					NUT, HEX, SLOTTED, 3/8-24	1
16	7555					NUT, LEFT HAND, JAM, 1/2-20	1
17	1012467					LINK, DRAG	1
18	1624					BOLT, HEX, 3/8-16	3
19	334					FLATWASHER, 3/8	3
20	1012452					STEERING GEAR BOX ASSEMBLY INCLUDES ITEMS 1 THRU 5, 7 THRU 11 AND 21 THRU 30	1
21	1013043					SCREW, RACK GUIDE	1
22	1013044					LOCKNUT, RACK SCREW	1
23	1013045					SPRING, RACK GUIDE PRESSURE	1
24	1013046					GUIDE, STEERING RACK	1
25	1013047					BOX, STEERING GEAR	1
26	1013048					BUSHING, PINION	1
27	NO #					PINION, STEERING (SEE ITEM 20)	1
28	1012884					BALL BEARING	1
29	1013051					RING-RETAINING, INTERNAL	1
30	1013052					DUST SEAL, STEERING PINION	1
31	1013031					RING-RETAINING, EXTERNAL	1
32	1013030					WASHER, END	1
33	1011930					DUST SEAL	1

G

E

4



FRONT SUSPENSION ASSEMBLY — A-PLATE

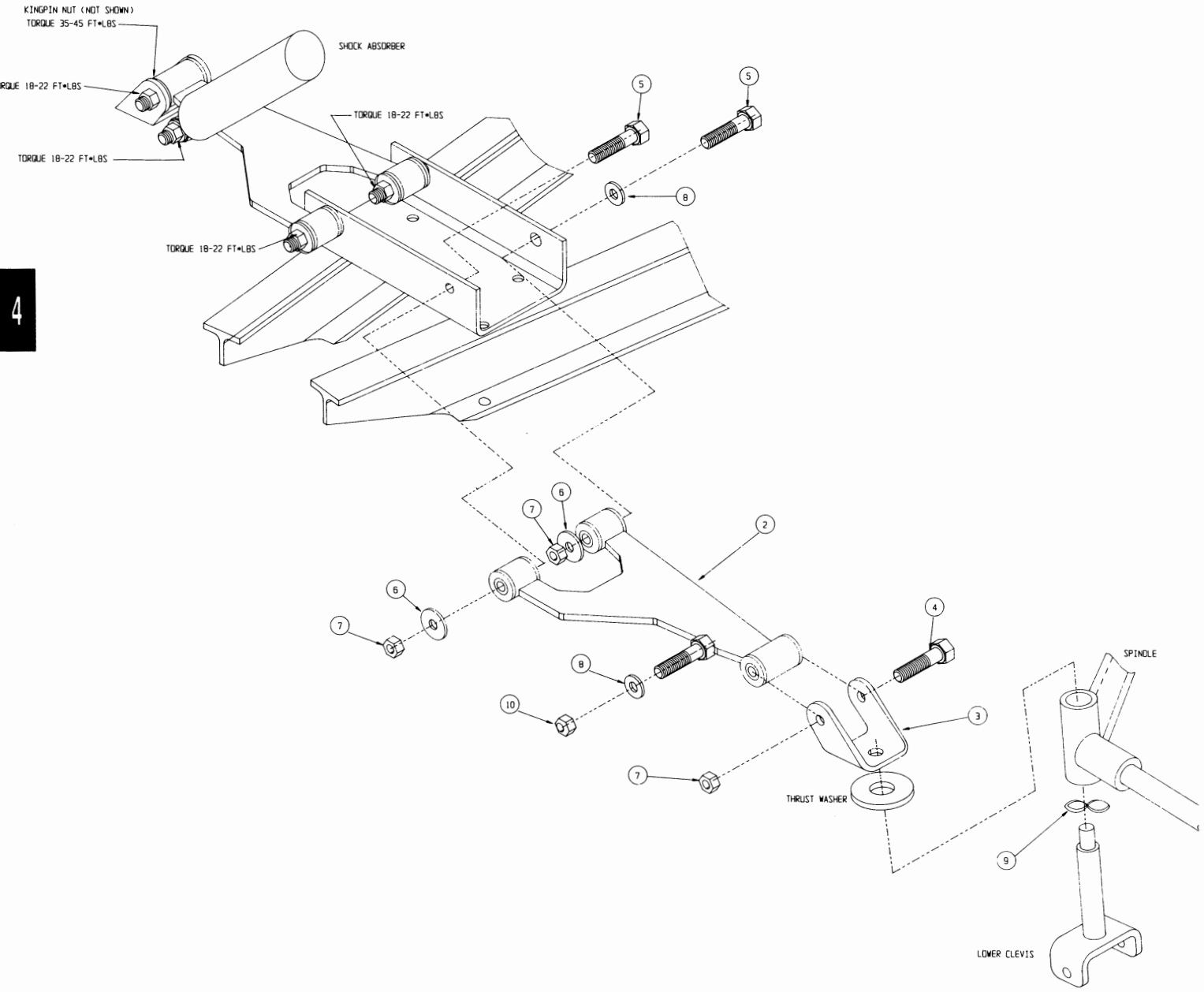
FRONT SUSPENSION ASSEMBLY — A-PLATE

ITEM NUMBER	PART NUMBER	DESCRIPTION				UNITS PER VEHICLE
		1	2	3	4	
1	7539	JOINT, RIGHT HAND BALL INCLUDES ITEM 23				1
2	1015597	1/4-28 THREAD FORMING GREASE FITTING				4
3	1308	NUT, 1/2-20 HEX				3
4	1010219	ROD, TIE				1
5	7555	NUT, 1/2-20 LEFT HAND HEX				1
6	7540	JOINT, LEFT HAND BALL INCLUDES ITEM 23				1
7	1010126	BOLT, 3/8-16 SHOULDER HEX				2
8	1014235	ABSORBER, SHOCK				2
9	1624	BOLT, 3/8-16 HEX				6
10	1010138	LOCKNUT, 3/8-16				6
11	1012496	SHOCK SUPPORT WELD ASSEMBLY				1
12	1015589	"A" PLATE SUBASSEMBLY (LEFT HAND) INCLUDES ITEMS 2 AND 13 AND 29				1
13	7719	BUSHING, BRONZE				4
14	1010125	BOLT, 3/8-16 SHOULDER HEX				2
15	209	LOCKWASHER, 1/2"				2
16	1010117	CLEVIS, UPPER				2
17	8754	LOCKNUT, 3/8-16 NYLON				4
18	1010150	WASHER, THRUST				2
19	1010348	SPINDLE LEFT HAND ASSEMBLY INCLUDES ITEMS 2, 20, AND 21				1
20	8067	BUSHING, SPINDLE				2
21	7048	BUSHING, 3/4" BRONZE				2
22	1010121	KING PIN ASSEMBLY				2
23	7602	NUT, 3/8-24 SLOTTED HEX				2
24	1035	PIN, COTTER 3/32 X 1"				2
25	8755	BOLT, 3/8-16 HEX				2
26	1010124	PLATE, FRONT SPRING MOUNTING				1
27	8745	ADJUSTER, FRONT SPRING ECCENTRIC				1
28	1013867	SPRING, FRONT INCLUDES ITEMS 27 AND 32				1
29	1015583	BUSHING, URETHANE				8
30	1012303	BUSHING, 3/8" STEEL				2
31	1014276	PLATE, FRONT SPRING RETAINER				1
32	706	NUT, 3/8-16 HEX				9
33	357	LOCKWASHER, 3/8"				8
34	1010200	BOLT, 3/8-16				4
35	1010347	SPINDLE RIGHT HAND ASSEMBLY INCLUDES ITEMS 2, 20 AND 21				1
36	334	FLATWASHER, 3/8"				4
37	1010005	FLATWASHER, SPECIAL				2
38	7840	NUT, 3/4-16 SLOTTED HEX				2
39	1011887	COVER, DUST				2
40	7910	PIN, COTTER 5/32 X 1"				2
41	1011894	HUB ASSEMBLY INCLUDES ITEMS 42 AND 43				2
42	1011393	BEARING, HUB PACKAGE (2 PIECES)				4
43	1011304	STUD, LUG				8
44	1011390	NUT, LUG				8
45	1013135	SEAL, DUST				2
46	1015586	"A" PLATE ASSEMBLY, RIGHT HAND INCLUDES ITEMS 2, 13 AND 29				1

G

E

4



FRONT SUSPENSION ASSEMBLY — DELTA A-PLATE

FRONT SUSPENSION ASSEMBLY — DELTA A-PLATE

ITEM NUMBER	PART NUMBER	DESCRIPTION	UNITS PER VEHICLE
		1 2 3 4	
	1016759	DELTA A-PLATE RETROFIT KIT	
1	1016758	SHOULDER WASHER	2
2	1016353	DELTA A-PLATE SUB-ASSEMBLY	2
3	1016384	DELTA UPPER CLEVIS	2
4	1016387	BOLT, HEX HEAD, 3/8-16 X 2.75	2
5	2402	BOLT, HEX HEAD, 3/8-16 X 2.25	4
6	808	FLATWASHER, 3/8 TYPE B	6
7	8754	LOCKNUT, NYLON 3/8-16	6
8	334	FLATWASHER, 3/8	4
9	1016389	KINGPIN WAVE WASHER	2
10	1010138	3/8-16 DIMPLED LOCKNUT	2
NOTE: SEE PAGES 4-8 AND 4-9 FOR PARTS COMMON TO BOTH DELTA A-PLATE AND A-PLATE FRONT SUSPENSIONS.			

G

E

4

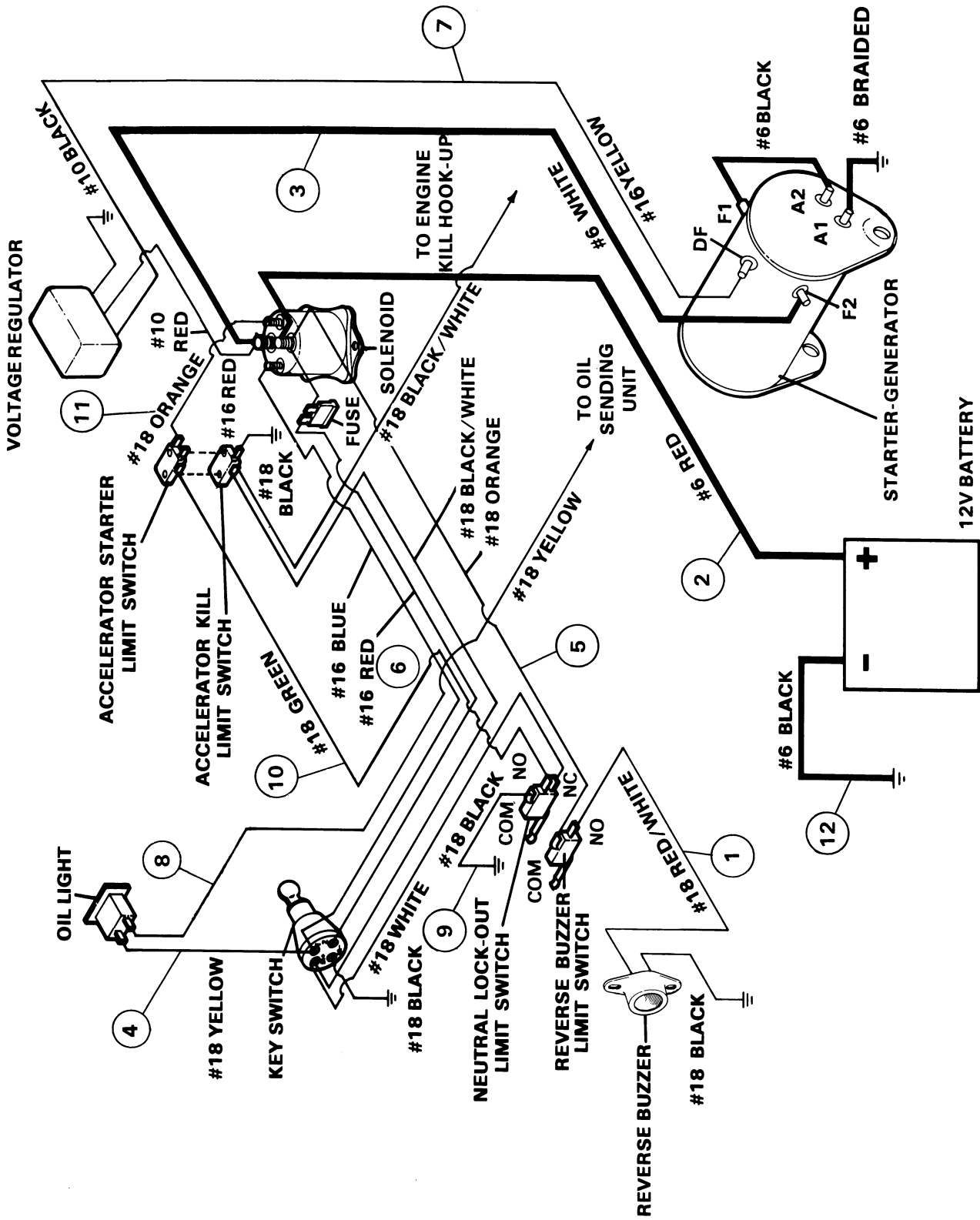
G

E

4

Section 5

ELECTRICAL AND BATTERY



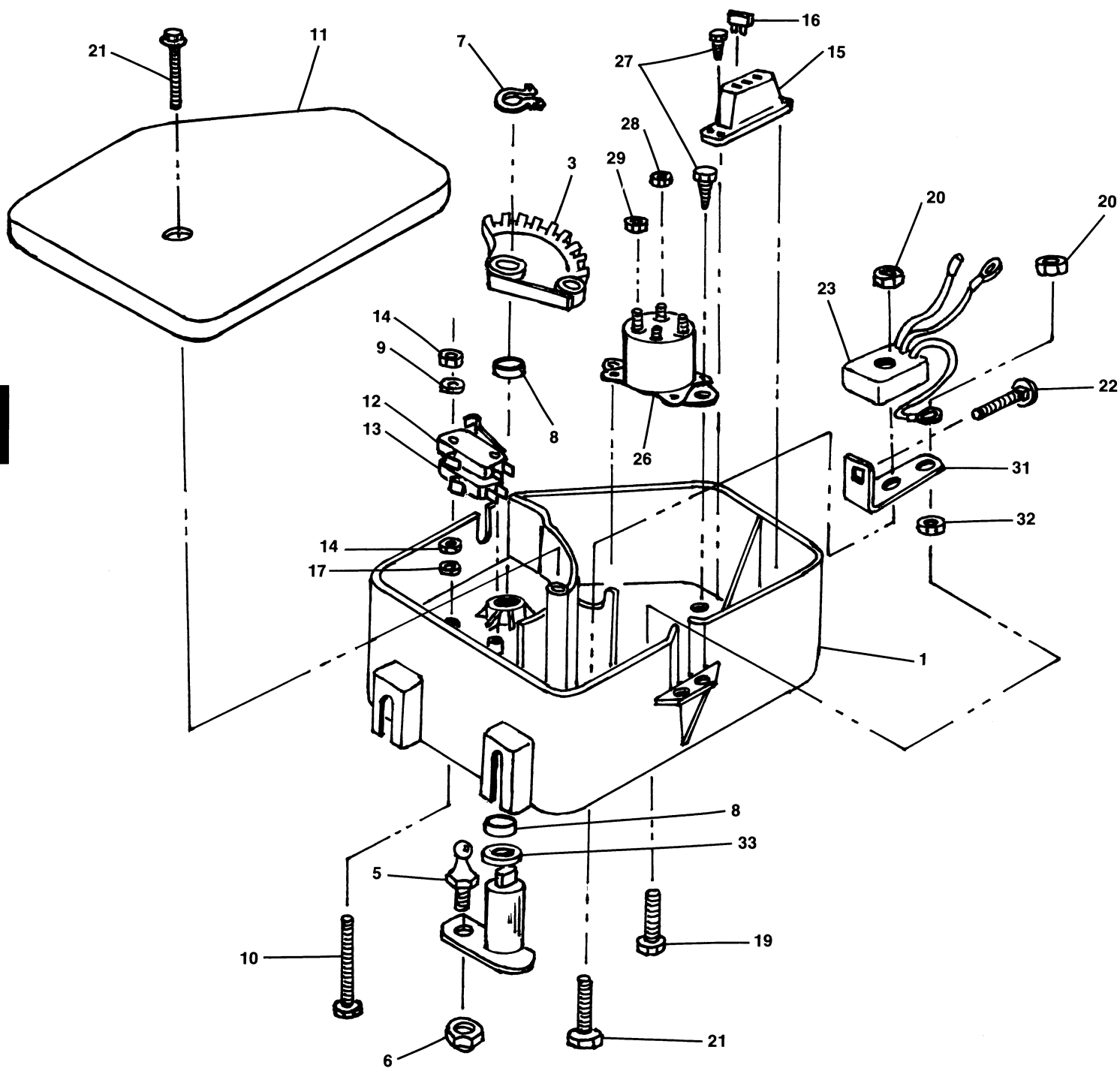
WIRING — GAS VEHICLE

WIRING — GAS VEHICLE

ITEM NUMBER	PART NUMBER	DESCRIPTION	UNITS PER VEHICLE
		1 2 3 4	
	1015735	WIRE HARNESS ASSEMBLY	1
1	1013723	WIRE ASSEMBLY, #18 RED/WHITE	1
2	1014119	WIRE ASSEMBLY, #6 RED	1
3	1015769	WIRE ASSEMBLY, #6 WHITE	1
4	1013601	WIRE ASSEMBLY, #18 YELLOW	1
5	1015831	WIRE ASSEMBLY, #18 ORANGE	1
6	1015736	WIRE ASSEMBLY, #16 RED	1
7	1015738	WIRE ASSEMBLY, #16 YELLOW	1
8	1015740	WIRE ASSEMBLY, #18 YELLOW	1
9	1015780	WIRE ASSEMBLY, #18 BLACK	1
10	1015779	WIRE ASSEMBLY, #18 GREEN	1
11	1015767	WIRE ASSEMBLY, #18 ORANGE	1
12	1012382	WIRE ASSEMBLY, #6 BLACK	1

G

5



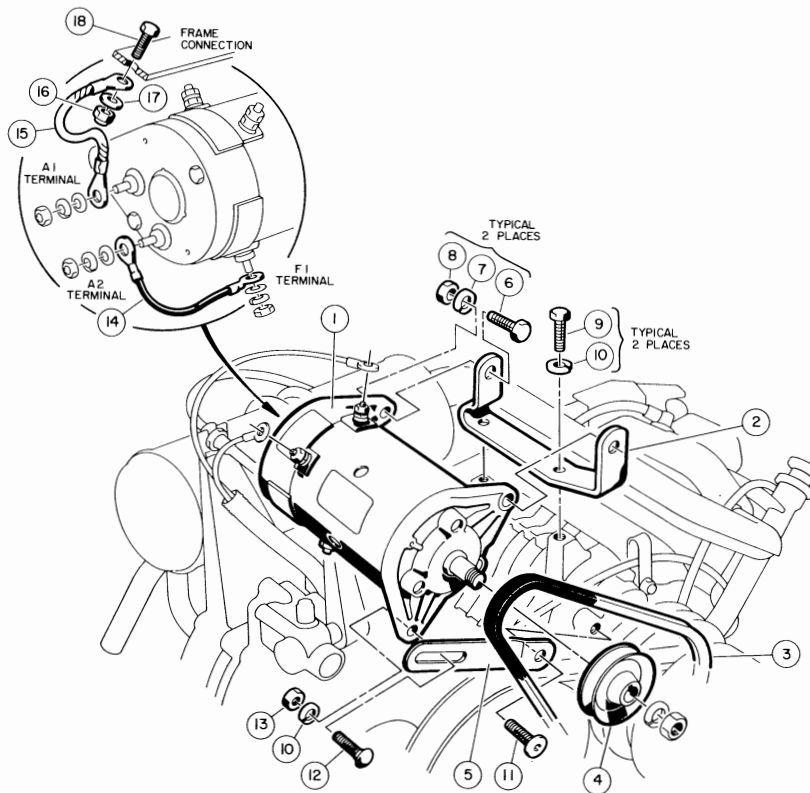
ELECTRICAL COMPONENT BOX

ELECTRICAL COMPONENT BOX

ITEM NUMBER	PART NUMBER	DESCRIPTION				UNITS PER VEHICLE
		1	2	3	4	
1	1015371	ELECTRICAL COMPONENT BOX				1
3	1015373	CAM				1
4	1015345	BELL CRANK SHAFT ASSEMBLY				1
5	1010954	1/4 BALL STUD				1
6	8717	1/4-28 NYLON LOCK NUT				1
7	1013589	RETAINING RING				1
8	1014145	BRONZE BUSHING				2
9	8058	#4 LOCKWASHER				2
10	1015878	#4-40 UNC X 1.62 SCREW				2
11	1015372	ELECTRICAL COMPONENT BOX COVER				1
12	1014807	LIMIT SWITCH				1
13	1014808	LIMIT SWITCH				1
14	8057	#4-40 UNC HEX NUT				4
15	1015741	FUSE BLOCK				1
16	1012295	FUSE 10 AMP				1
17	1012431	#4 FLATWASHER				2
18	1015737	WIRE ASSEMBLY				1
19	304	1/4-20 UNC X 1 HEX SCREW				1
20	8233	1/4-20 NYLON LOCK NUT				2
21	1703	1/4-20 X 1.50 HEX SCREW				1
22	1015405	5/16-18 X 2.00 RED HEAD SQUARE NECK SCREW				1
23	1015777	VOLTAGE REGULATOR ASSEMBLY				1
24	1015766	WIRE ASSEMBLY				1
25	1015767	WIRE ASSEMBLY				1
26	1013609	12 VOLT SOLENOID				1
27	1015752	#12-16 X .5 HILO SCREW				4
28	7893	#10-32 UNF HEX NUT				2
29	1242	5/16-18 UNC HEX NUT				2
30	8168	WIRE TIE WRAP				2
31	1015343	GROUND STRAP				1
32	1015919	1/4-20 JAM NUT				1
33	1014065	FLATWASHER (DELRIN)				1

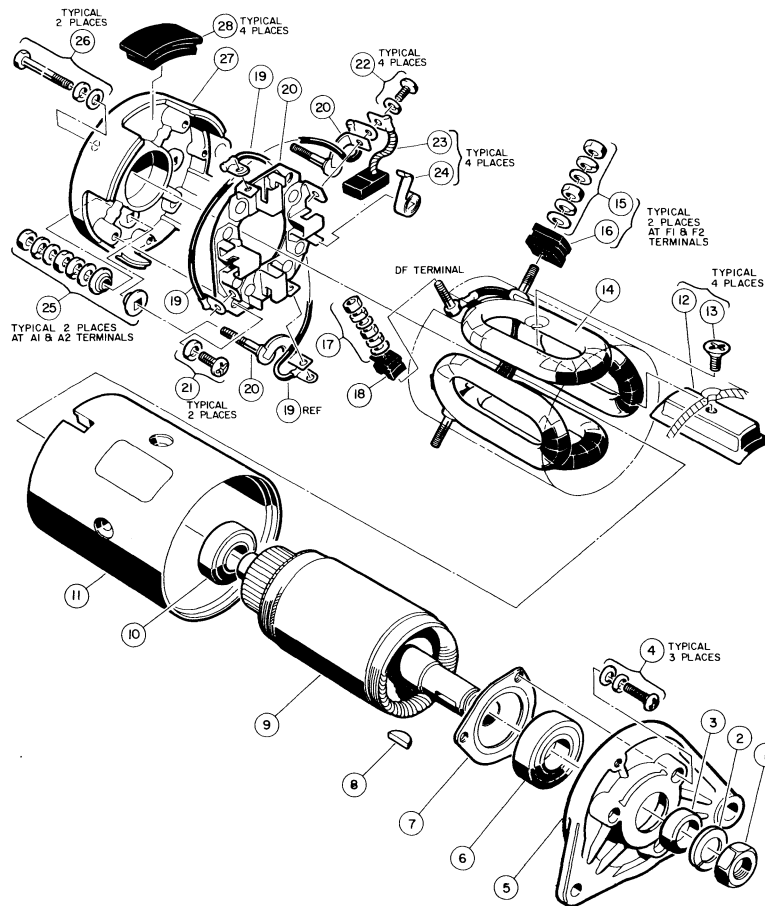
G

5



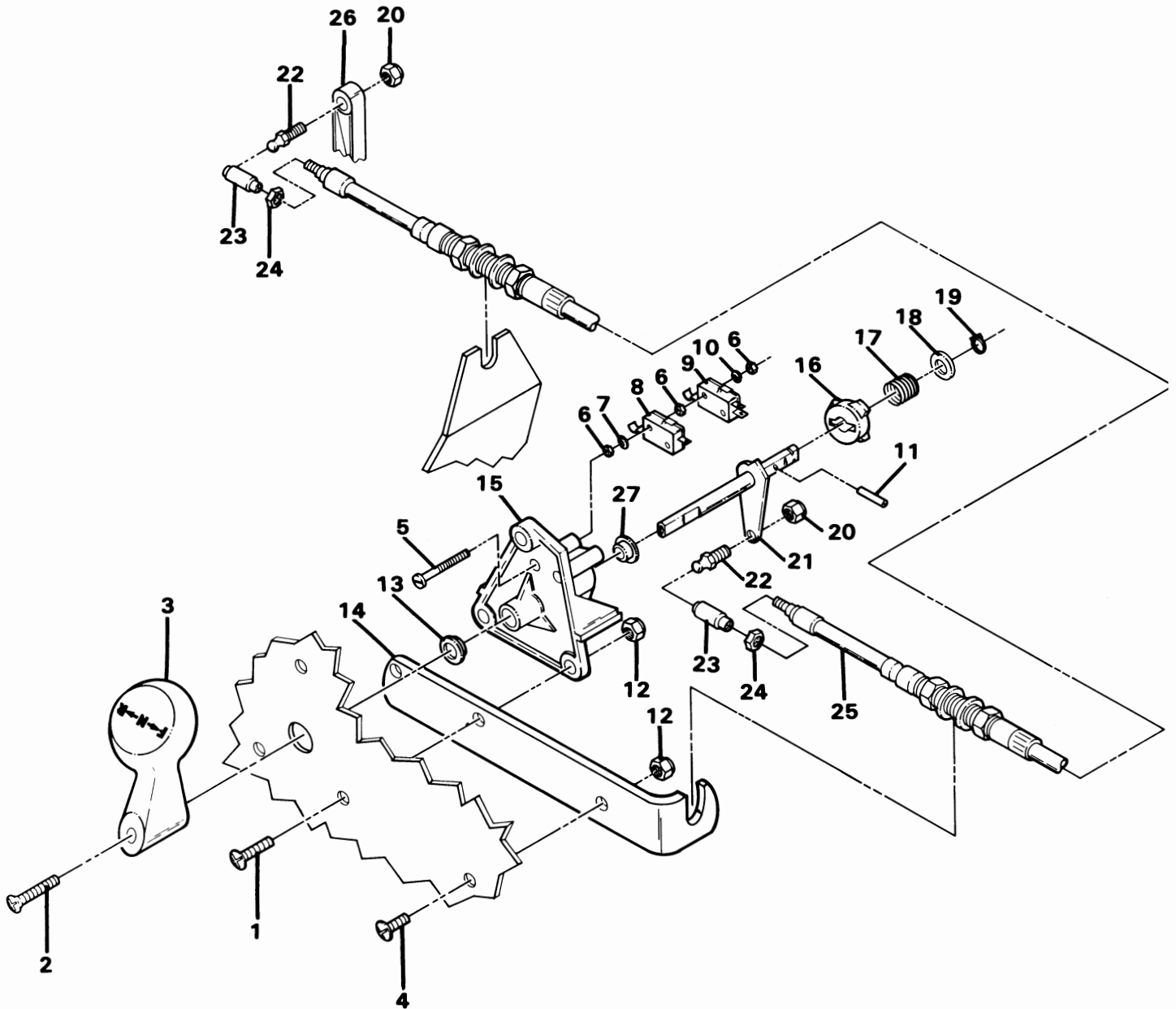
STARTER-GENERATOR MOUNTING

ITEM NUMBER	PART NUMBER	1 2 3 4				DESCRIPTION	UNITS PER VEHICLE
		1	2	3	4		
1	1012316					STARTER-GENERATOR	1
2	1015240-01					MOUNTING BRACKET	1
3	1015241					BELT	1
4	1014289					PULLEY	1
5	1012335					ADJUSTING BRACKET	1
6	705					HEX HEAD SCREW, 3/8-16 X 1-1/4	2
7	357					LOCKWASHER, 3/8" DIAMETER	2
8	706					HEX NUT, 3/8-16	2
9	1015331					HEX HEAD SCREW, M8-1.25 X 25MM	2
10	7174					LOCKWASHER, 5/16" DIAMETER	2
11	1016074					TORX HEAD SCREW, M8-1.25 X 18MM	1
12	1015932					ROUND HEAD SQUARE NECK BOLT, 5/16-18 X 1	1
13	1242					HEX NUT, 5/16-18	1
14	1012384					#6 BLACK WIRE ASSEMBLY	1
15	1015920					GROUND WIRE	1
16	7473					NYLON LOCK NUT, 5/16-18	1
17	1241					FLATWASHER, 5/16" DIAMETER	1
18	7173					HEX HEAD CAP SCREW, 5/16-18 X 3/4	1



STARTER-GENERATOR ASSEMBLY

ITEM NUMBER	PART NUMBER	1 2 3 4				DESCRIPTION	UNITS PER VEHICLE
		1	2	3	4		
1	NO #					HEX NUT, M14 X 1.5	1
2	NO #					LOCKWASHER, M14	1
3	1013000					SPACER	1
4	NO #					CROSS-RECESSED SCREW, M5 X 18 WITH LOCKWASHERS AND FLATWASHERS	3
5	1012999					OUTPUT SHAFT END BELL	1
6	1013001					DOUBLE SEALED BALL BEARING	1
7	1013002					BEARING RETAINER	1
8	1013003					KEY	1
9	1013004					ARMATURE ASSEMBLY INCLUDES ITEMS 3, 6, 7, 10 AND ARMATURE	1
10	1013005					DOUBLE SEALED BALL BEARING	1
11	1013006					FRAME ASSEMBLY INCLUDES ITEMS 12 THRU 18 AND FRAME	1
12	NO #					POLE PIECE	4
13	1013009					POLE PIECE SCREW	4
14	1013010					FIELD COIL ASSEMBLY	1
15	1013007					TERMINAL HARDWARE KIT INCLUDES NUTS, LOCKWASHERS AND FLATWASHERS	2
16	NO #					INSULATOR	2
17	1013017					TERMINAL HARDWARE KIT INCLUDES NUTS, LOCKWASHERS AND FLATWASHERS	1
18	NO #					INSULATOR	
19	1013013					CROSSOVER LEAD	2
20	1013011					BRUSH HOLDER	1
21	NO #					SCREW, M5 X 16 WITH LOCKWASHER	2
22	1013014					SCREW, M4 X 10 WITH LOCKWASHER	4
23	1014699					BRUSH PACKAGE INCLUDES 4 BRUSHES	1
24	1013016					BRUSH SPRING	4
25	1012990					TERMINAL HARDWARE KIT INCLUDES NUTS, LOCKWASHERS, FLATWASHERS AND INSULATORS	2
26	1012992					CLAMP BOLT, 6 X 180	2
27	1012993					COMMUTATOR END BELL	1
28	1012991					BRUSH INSPECTION PORT COVER	4



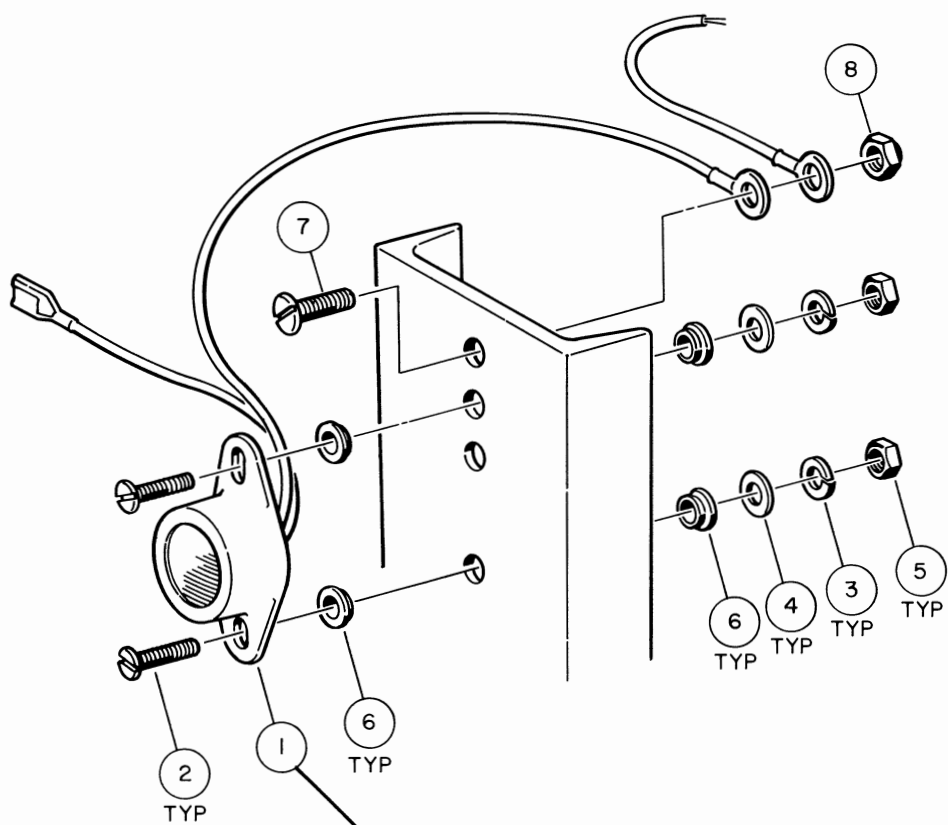
F&R SHIFTER ASSEMBLY

F&R SHIFTER ASSEMBLY

ITEM NUMBER	PART NUMBER	1 2 3 4	DESCRIPTION	UNITS PER VEHICLE
	1013588		F&R SHIFTER ASSEMBLY INCLUDES ITEMS 5 THRU 22, 27 AND 28	1
1	8251		SCREW, 1/4-20 X 1.00" PHILLIPS HEAD	3
2	1013198		#8-32 PHILLIPS MACHINE SCREW	1
3	1012987		F&R HANDLE	1
4	8248		SCREW, 1/4-20 X 3/4" PHILLIPS HEAD	1
5	1012594		SCREW, #4-40 X 1.00" MACHINE	2
6	8057		NUT, #4-40 UNC HEX	6
7	1012431		FLATWASHER, #4	2
8	1014808		LIMIT SWITCH	1
9	1014807		LIMIT SWITCH	1
10	8058		LOCKWASHER, #4	2
11	1013591		1/8" ROLL PIN	1
12	8233		LOCKNUT, 1/4-20 NYLON	4
13	1032		NYLON BUSHING	1
14	1012254		CABLE SUPPORT BRACKET	1
15	1013898		F&R SHIFTER BASE	1
16	1014089		NEUTRAL LOCK-OUT CAM KIT INCLUDES ITEM 18	1
17	1013590		SPRING — F&R CAM	1
18	1014065		FLATWASHER-DELRIN	1
19	1013589		RETAINING RING	1
20	8717		LOCKNUT, 1/4-28 NYLON	2
21	1013587		F&R BELL CRANK WELDMENT	1
22	1010954		BALL STUD, 1/4-28 UNF X .25	2
23	1012333		BALL JOINT	2
24	7893		NUT, #10-32 UNF HEX	2
25	1013085		TRANSMISSION SHIFT CABLE INCLUDES ITEMS 23 AND 24	1
26	1012414		TRANSMISSION SHIFT LEVER	1
27	7049		NYLON BUSHING	1
28	1014727		#4 FLATWASHER (NYLON)	2

G

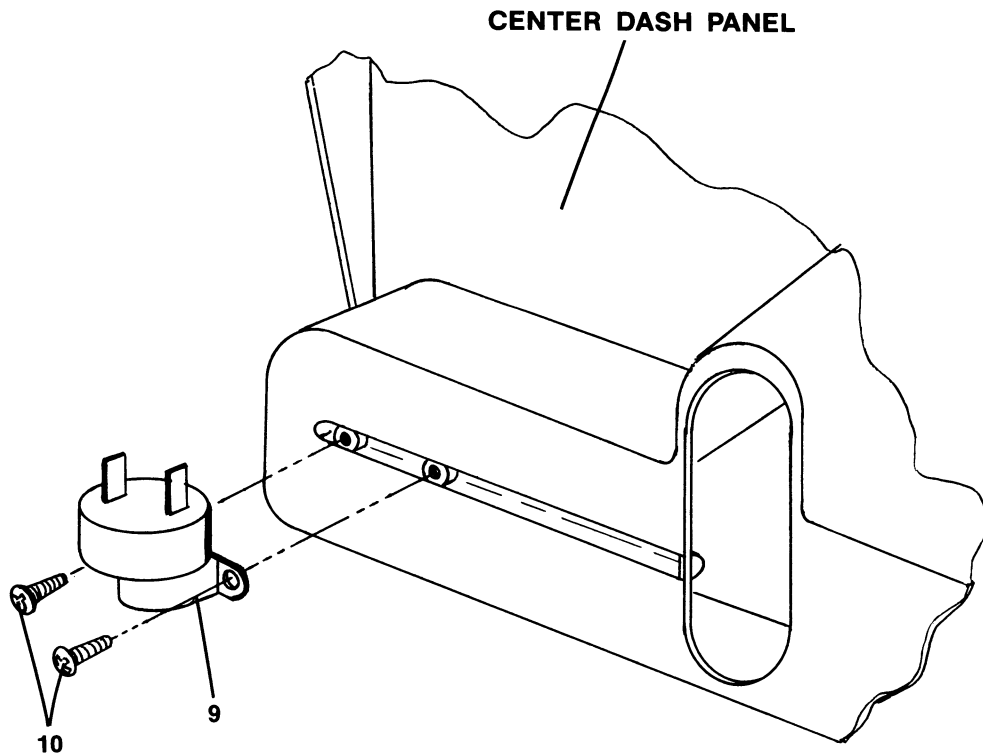
5



**BUZZER SHOWN
REPLACED BY ITEM #9 (1016851)**

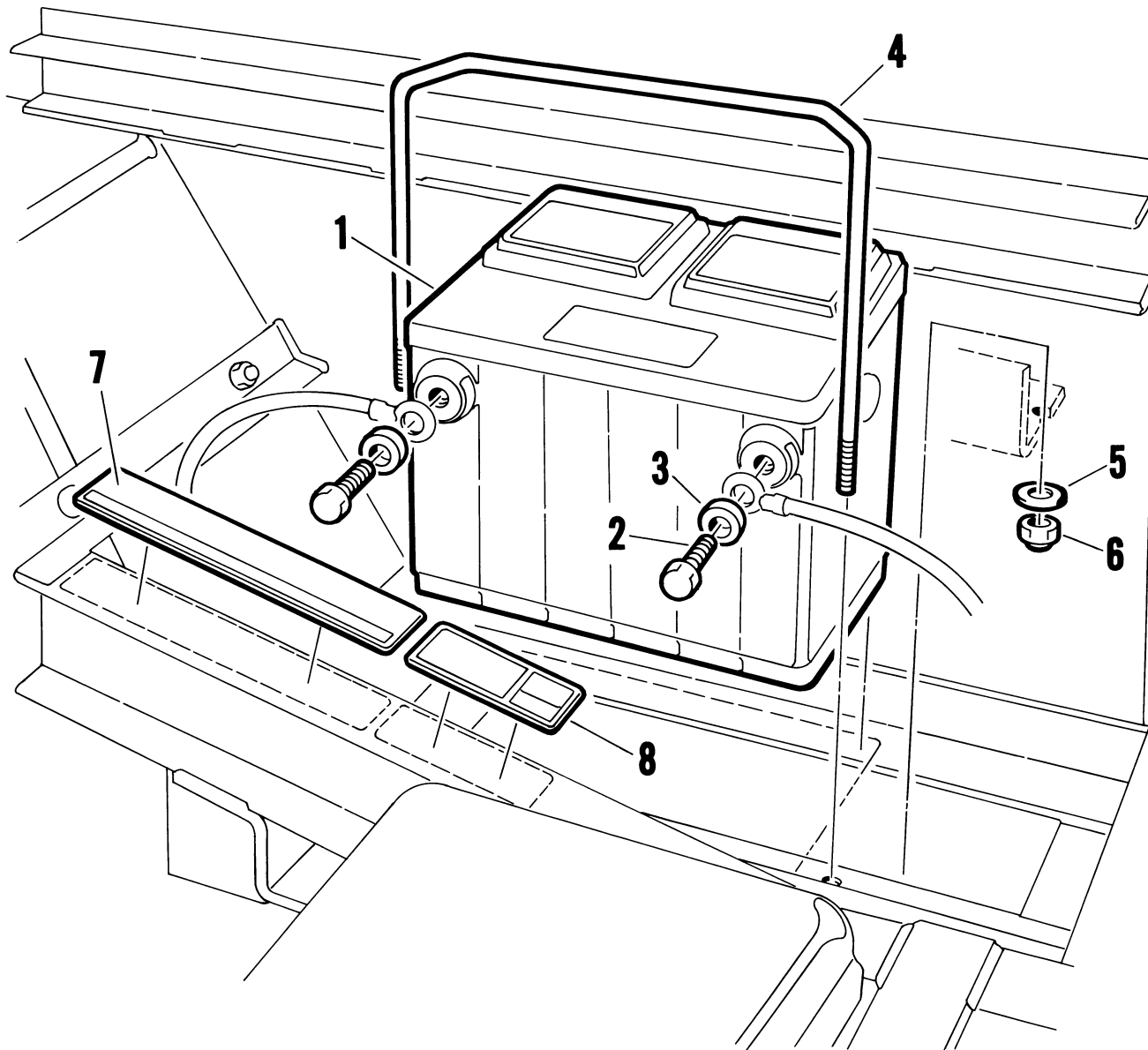
REVERSE BUZZER — FRAME MOUNTED

ITEM NUMBER	PART NUMBER	1 2 3 4	DESCRIPTION	UNITS PER VEHICLE
1	1016859		BUZZER, REVERSE KIT INCLUDES ITEMS 2 THRU 11	1
2	8056		#4-40 X 3/4" ROUND HEAD MACHINE SCREW	2
3	8058		LOCKWASHER, #4 HELICAL	2
4	1012431		#4 FLATWASHER	4
5	8057		NUT, #4-40 HEX	2
7	1015720		#6-32 X 1/2" PAN HEAD MACHINE SCREW	1
8	1011229		#6-32 "K" LOCKNUT	1



REVERSE BUZZER — DASH MOUNTED

ITEM NUMBER	PART NUMBER	1 2 3 4	DESCRIPTION	UNITS PER VEHICLE
9	1016851		REVERSE BUZZER	1
10	1016849		#4-24 X .330 SCREW PAN HEAD HI-LO	2
11	1016857		WIRE ASSEMBLY (BLACK) (NOT SHOWN)	1



BATTERY

BATTERY

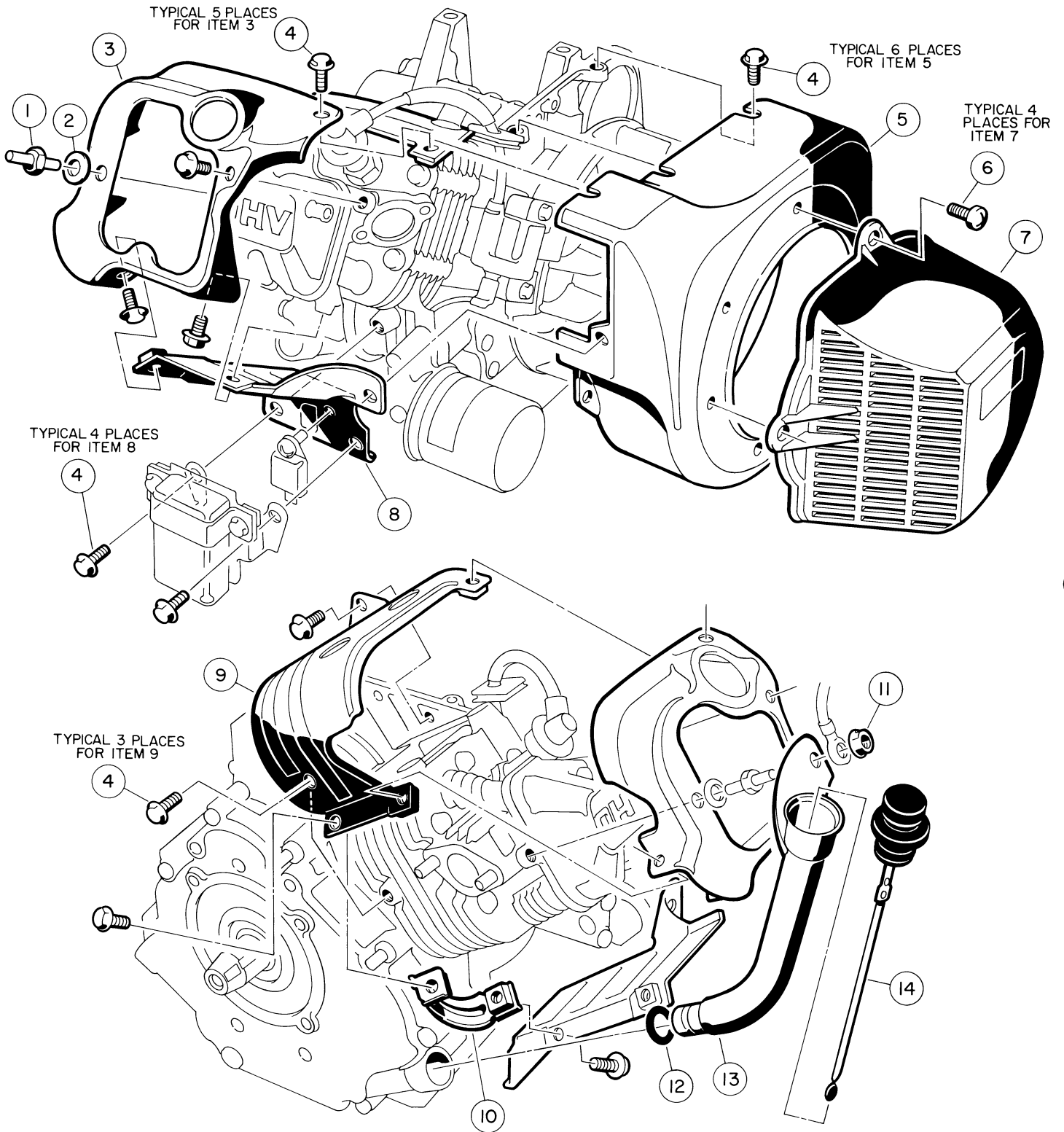
ITEM NUMBER	PART NUMBER	1 2 3 4 DESCRIPTION	UNITS PER VEHICLE
1	1012328	12 VOLT BATTERY	1
2	1014375	HEX HEAD BOLT, SS, 3/8-16 X 1/2	2
3	1014374	SPACER	2
4	1013882	BATTERY HOLD DOWN	1
5	1011931	WIDE FLATWASHER, 1/4" DIAMETER	2
6	8233	NYLON LOCKNUT, 1/4-20	2
7	1015474	FRAME GROUND DECAL	1
8	1013677	BATTERY WARNING DECAL	1

G

5

Section 6

ENGINE



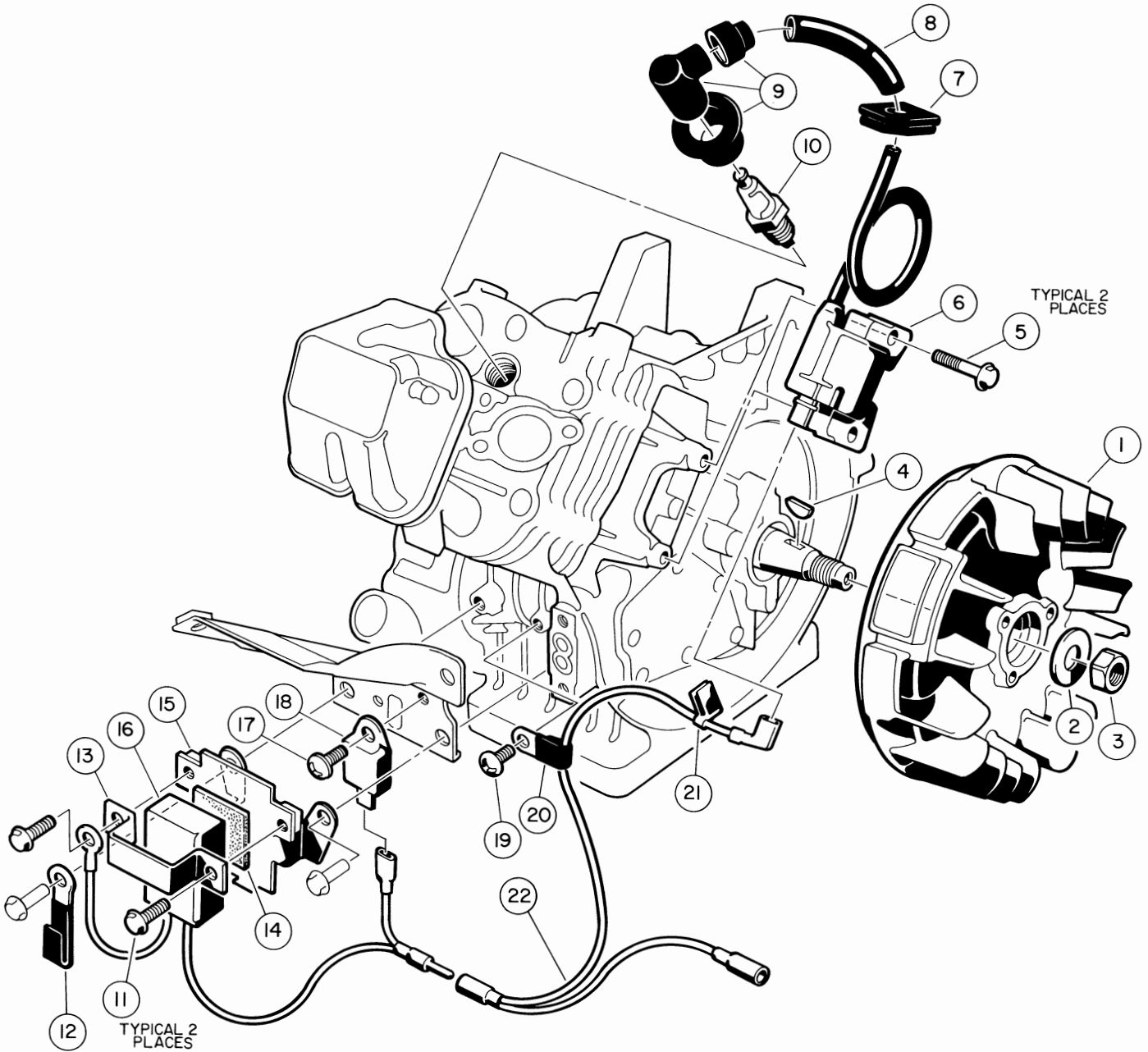
ENGINE

ENGINE

ITEM NUMBER	PART NUMBER	1 2 3 4				DESCRIPTION	UNITS PER VEHICLE
1	1016507					BOLT, 2-ENDED, M6 X 1	1
2	1016512					PLAIN WASHER, 6MM DIAMETER	1
3	1016524					ENGINE SHROUD	1
4	1016456					FLANGED BOLT, M6 X 1 X 12MM LONG	18
5	1016534					FAN HOUSING	1
6	1015969					PAN HEAD SCREW, M6 X 1 X 14MM LONG	4
7	1015649					FAN SHROUD	1
8	1016526					ENGINE SHROUD	1
9	1016525					ENGINE SHROUD	1
10	1016443					BRACKET	1
11	1016547					NUT, M6 X 1	1
12	1016539					O-RING	1
13	1016536					FILLER	1
14	1016531					GAUGE	1

G

6



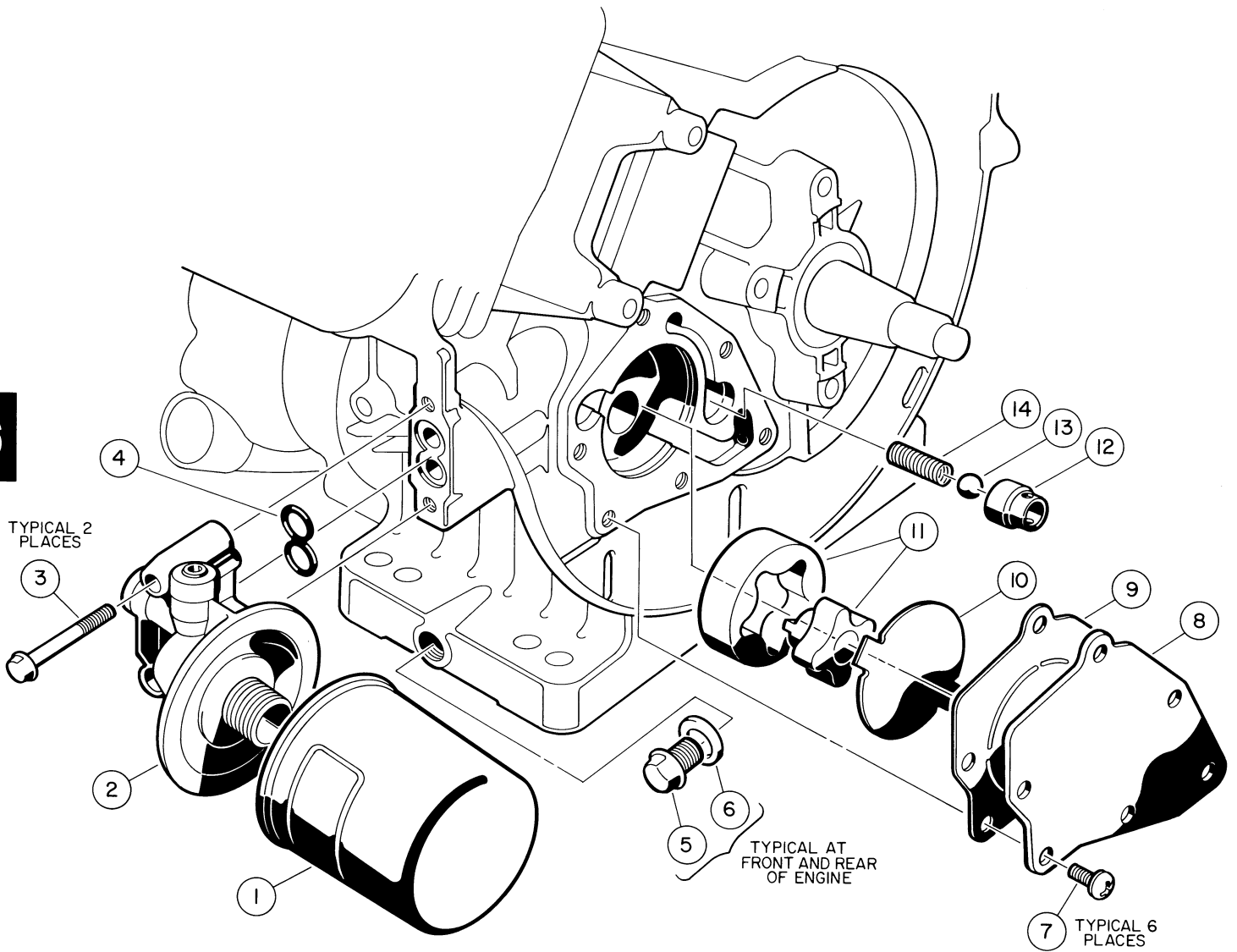
ENGINE

ENGINE

ITEM NUMBER	PART NUMBER	1 2 3 4	DESCRIPTION	UNITS PER VEHICLE
1	1016495		FLYWHEEL	1
2	1016548		FLATWASHER, 16MM DIAMETER	1
3	1016505		HEX NUT, M16 X 1.5	1
4	1016562		KEY	1
5	1016455		FLANGED BOLT, M5 X 0.8 X 25MM LONG	2
6	1016492		IGNITION COIL	1
7	1016578		GROMMET	1
8	1016588		TUBE	1
9	1014493		PLUG CAP ASSEMBLY	1
10	1016111		SPARK PLUG	1
11	1016456		FLANGED BOLT, M6 X 1.0 X 12MM LONG	2
12	1012978		CLAMP TUBE	1
13	1016579		BAND	1
14	1016586		DAMPER	1
15	1016445		BRACKET	1
16	1016511		RPM LIMITER	1
17	1016497		CROSS PAN HEAD SCREW, M5 X 0.8 X 8MM LONG	1
18	1016491		IGNITER	1
19	1016544		CROSS PAN HEAD SELF TAP SCREW M5 X 12MM LONG	1
20	1016561		CLAMP	1
21	1016587		CLAMP	1
22	1016503		LEAD WIRE	1

G

6



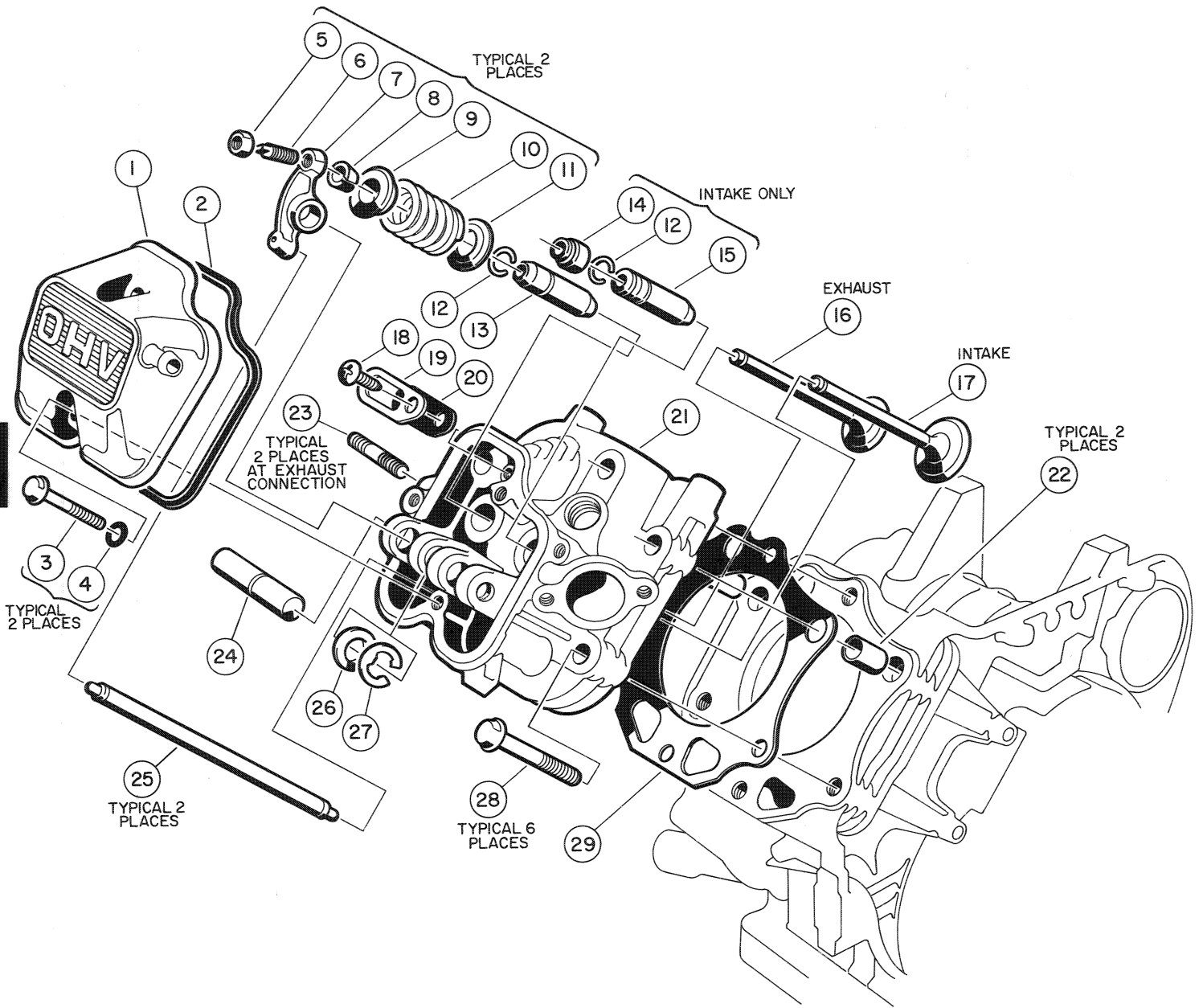
ENGINE

ENGINE

ITEM NUMBER	PART NUMBER	1 2 3 4	DESCRIPTION	UNITS PER VEHICLE
1	1016467		OIL FILTER	1
2	1016502		OIL FILTER BRACKET	1
3	1016457		FLANGED HEX HEAD BOLT, M6 X 1.0 X 40MM LONG	2
4	1016570		O-RING	1
5	1016576		DRAW PLUG	2
6	1016432		GASKET	2
7	1016498		CROSS PAN HEAD SCREW, M6 X 1.0 X 12MM LONG	6
8	1016484		PUMP COVER	1
9	1016435		OIL PUMP GASKET	1
10	1016473		OIL PUMP PLATE	1
11	1016482		PUMP ASSEMBLY — OIL	1
12	1016429		VALVE SEAT	1
13	1016537		STEEL BALL	1
14	1016581		SPRING	1

G

6



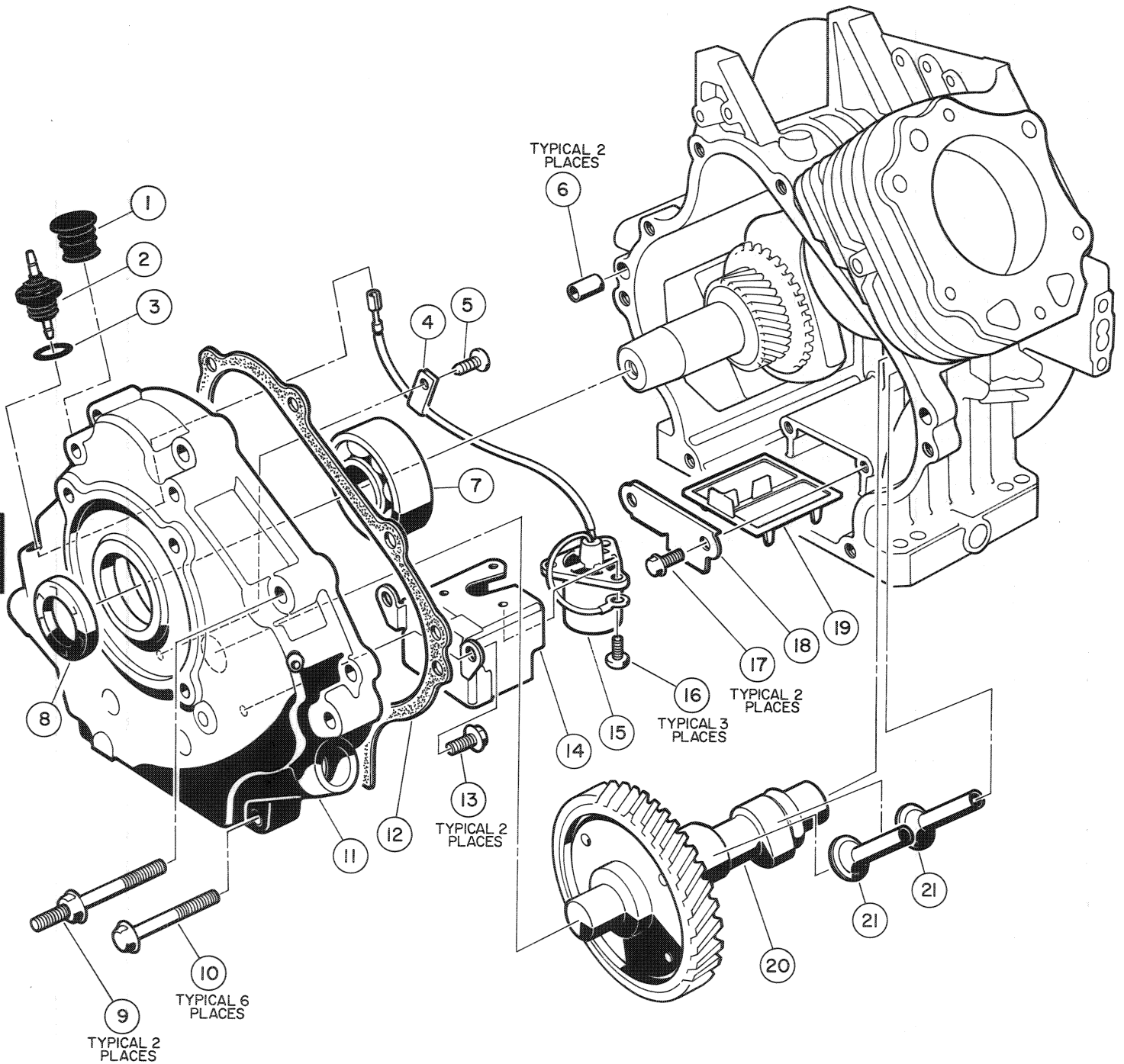
ENGINE

ENGINE

G

ITEM NUMBER	PART NUMBER	DESCRIPTION				UNITS PER VEHICLE
		1	2	3	4	
1	1016442	ROCKER CASE				1
2	1016436	ROCKER CASE GASKET				1
3	1016583	FLANGED BOLT, M6 X 1.0 X 35MM LONG				2
4	1016569	O-RING				2
5	1016542	SCREW				2
6	1016545	HEX NUT				2
7	1016451	ROCKER ARM				2
8	1016450	COLLET				2
9	1016449	VALVE SPRING RETAINER				2
10	1016523	ENGINE VALVE SPRING				2
11	1016479	SPRING SEAT				2
12	1016560	SNAP RING				2
13	1016518	VALVE GUIDE (EXHAUST)				1
14	1016566	OIL SEAL				1
15	1016519	VALVE GUIDE (INTAKE)				1
16	1016448	EXHAUST VALVE				1
17	1016447	INTAKE VALVE				1
18	1016544	SCREW				1
19	1016474	PLATE				1
20	1016483	VALVE				1
21	1016431	CYLINDER HEAD				1
		INCLUDES ITEMS 12, 13 AND 15				
22	1016563	PIN				2
23	1016489	STUD BOLT				2
24	1016452	ROCKER SHAFT				1
25	1016471	PUSH ROD				2
26	1016549	WASHER				1
27	1016517	TYPE-E CIRCLIP				1
28	1016458	FLANGED BOLT, M8 X 1.25 X 45MM LONG				6
29	1016430	HEAD GASKET				1

6



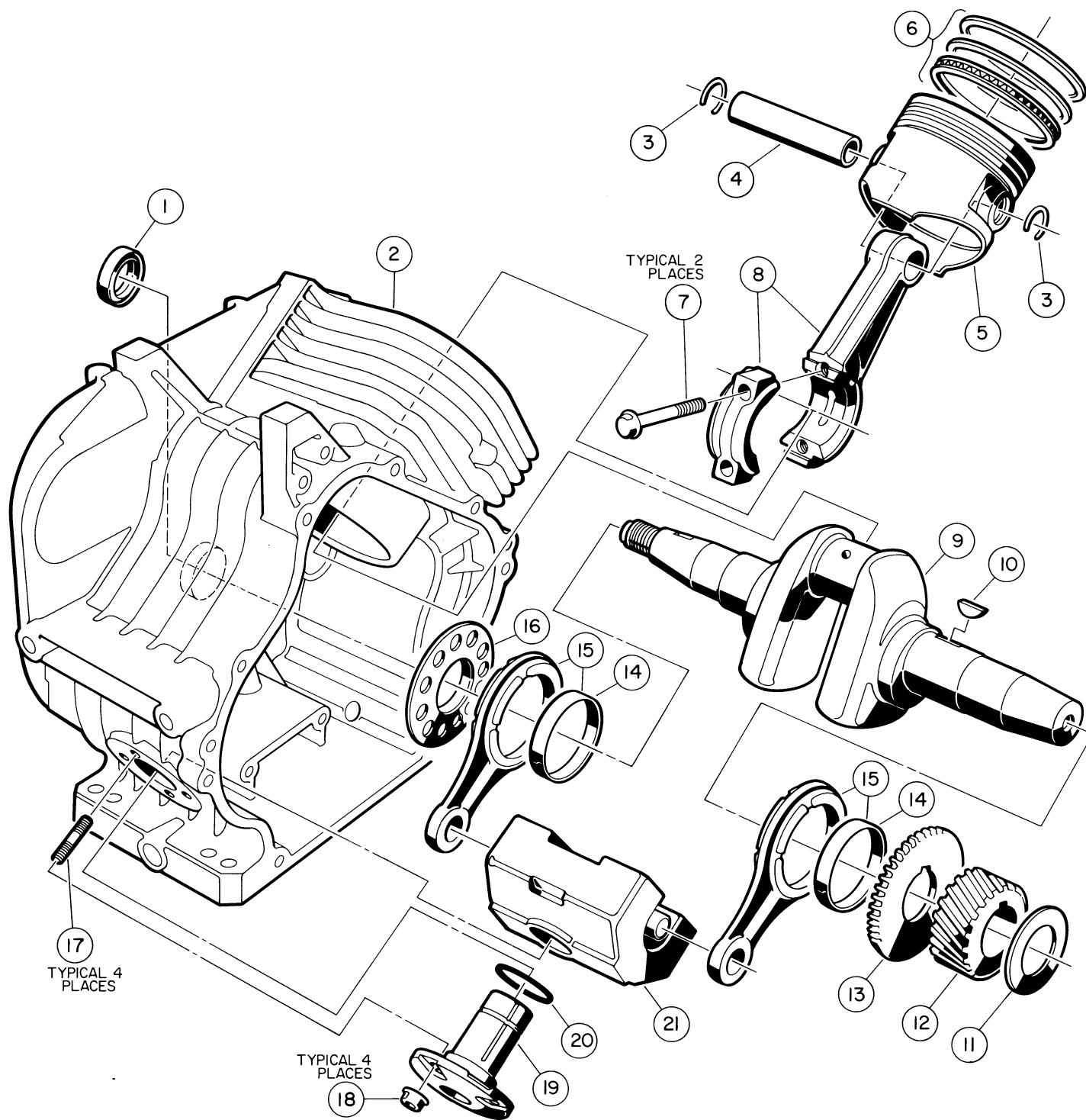
ENGINE

ENGINE

ITEM NUMBER	PART NUMBER	1 2 3 4	DESCRIPTION	UNITS PER VEHICLE
1	1016596		PLUG	1
2	1016535		CORD CONNECTOR	1
3	1016538		O-RING	1
4	1016506		CLAMP	1
5	1016544		CROSS PAN HEAD SELF TAPPING SCREW, 5MM DIAMETER X 12MM LONG	1
6	1016564		PIN	2
7	1016565		BALL BEARING	1
8	1016567		OIL SEAL	1
9	1016584		FLANGED 2-ENDED BOLT, M8 X 1.25	2
10	1016458		FLANGED BOLT, M8 X 1.25	6
11	1016520		CRANKCASE COVER	1
12	1016446		CRANKCASE COVER GASKET	1
13	1016456		FLANGED BOLT, M5 X 1.0 X 12MM LONG	2
14	1016510		SWITCH BRACKET	1
15	1016494		SENSOR	1
16	1016496		CROSS PAN HEAD SCREW, M4 X 0.7 X 8MM LONG	3
17	1016454		FLANGED BOLT, M5 X 0.8 X 8MM LONG	2
18	1016472		OIL FILTER PLATE	1
19	1016521		OIL FILTER	1
20	1016528		CAMSHAFT	1
21	1016453		TAPPET	2

G

6



ENGINE

ENGINE

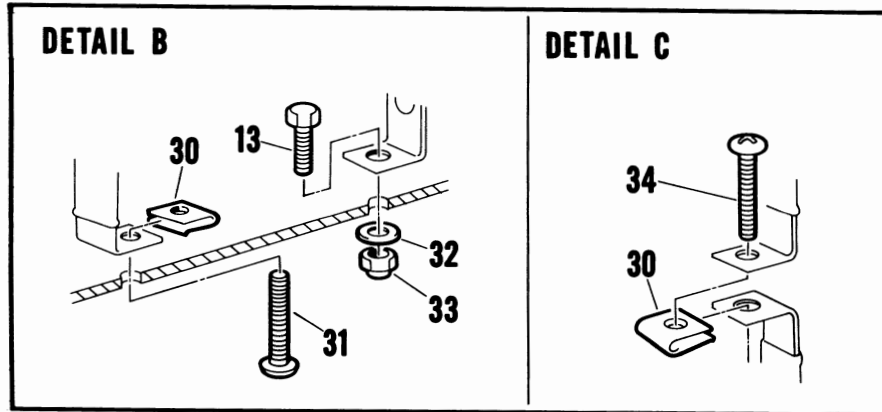
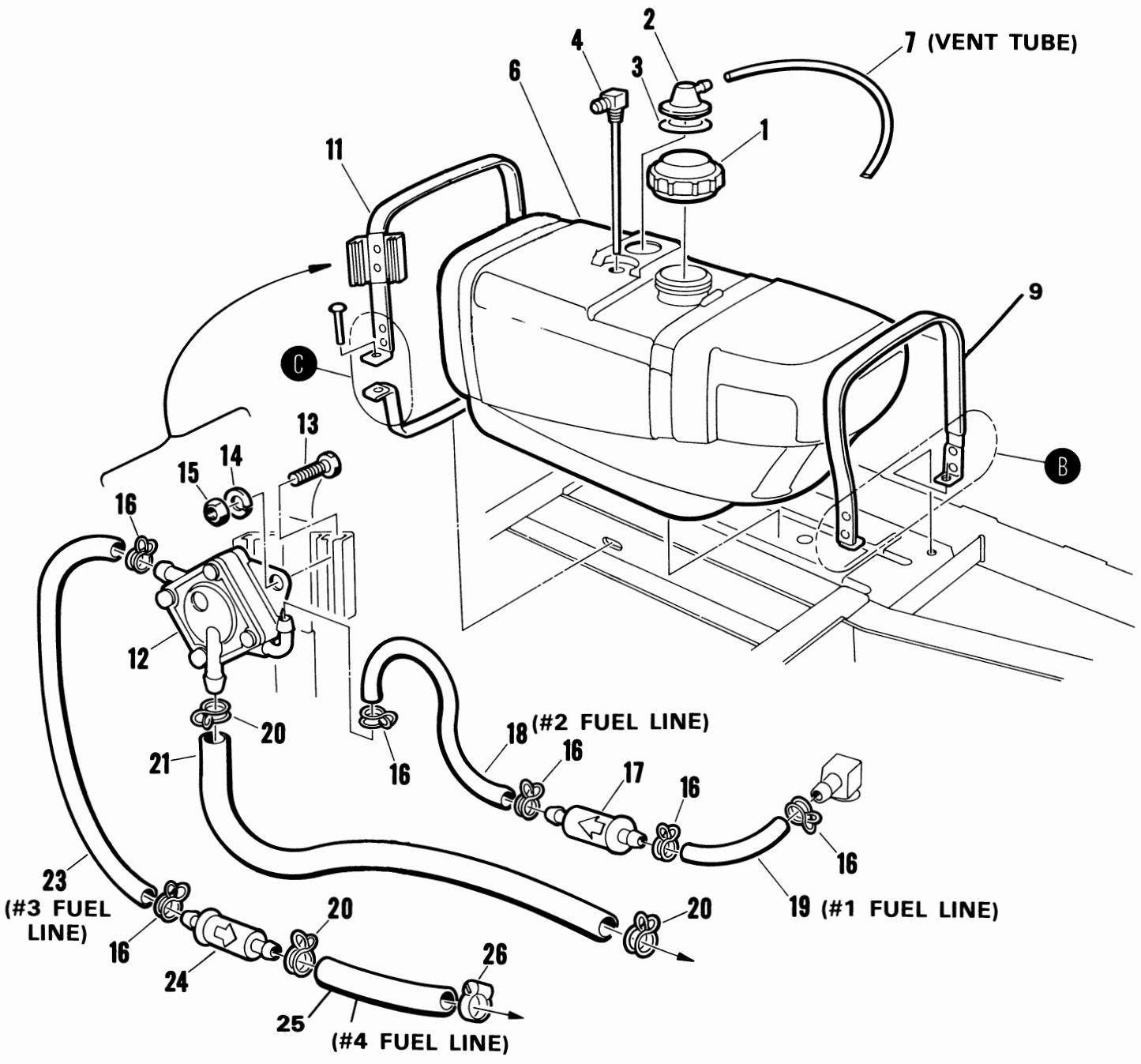
ITEM NUMBER	PART NUMBER	1 2 3 4				DESCRIPTION	UNITS PER VEHICLE
1	1016568					OIL SEAL	1
2	1016529					CRANKCASE	1
3	1016558					SNAP RING	2
4	1016460					PISTON PIN	1
5	1016459-01					PISTON — STANDARD	1
5	1016459-02					PISTON — .25MM OVERSIZE	1
5	1016459-03					PISTON — .50MM OVERSIZE	1
5	1016459-04					PISTON — .75MM OVERSIZE	1
6	1016461-01					PISTON RING — STANDARD	1
6	1016461-02					PISTON RING — .25MM OVERSIZE	1
6	1016461-03					PISTON RING — .50MM OVERSIZE	1
6	1016461-04					PISTON RING — .75MM OVERSIZE	1
7	1016509					BOLT	2
8	1016475-01					CONNECTING ROD ASSEMBLY — STANDARD INCLUDES 2 EACH ITEM 7	1
8	1016475-02					CONNECTING ROD ASSEMBLY — .50MM UNDERSIZE INCLUDES 2 EACH ITEM 7	1
9	1016468					CRANKSHAFT INCLUDES 1 EACH ITEMS 10, 12, 13 AND 15	1
10	1016562					KEY	1
11	1016550					SHIM	1
12	1016533					HELICAL GEAR	1
13	1016532					SPUR GEAR	1
14	1016580					PLAIN BEARING	2
15	1016516					CONNECTING ROD ASSEMBLY INCLUDES ITEM 14	2
16	1016559					SPACER	1
17	1016541					STUD M6 X 1.0	4
18	1016547					FLANGED NUT M6 X 1.0	4
19	1016420					SHAFT	1
20	1016571					O-RING	1
21	1016469					WEIGHT	1

G

6

Section 7

FUEL, INTAKE AND GOVERNOR SYSTEM



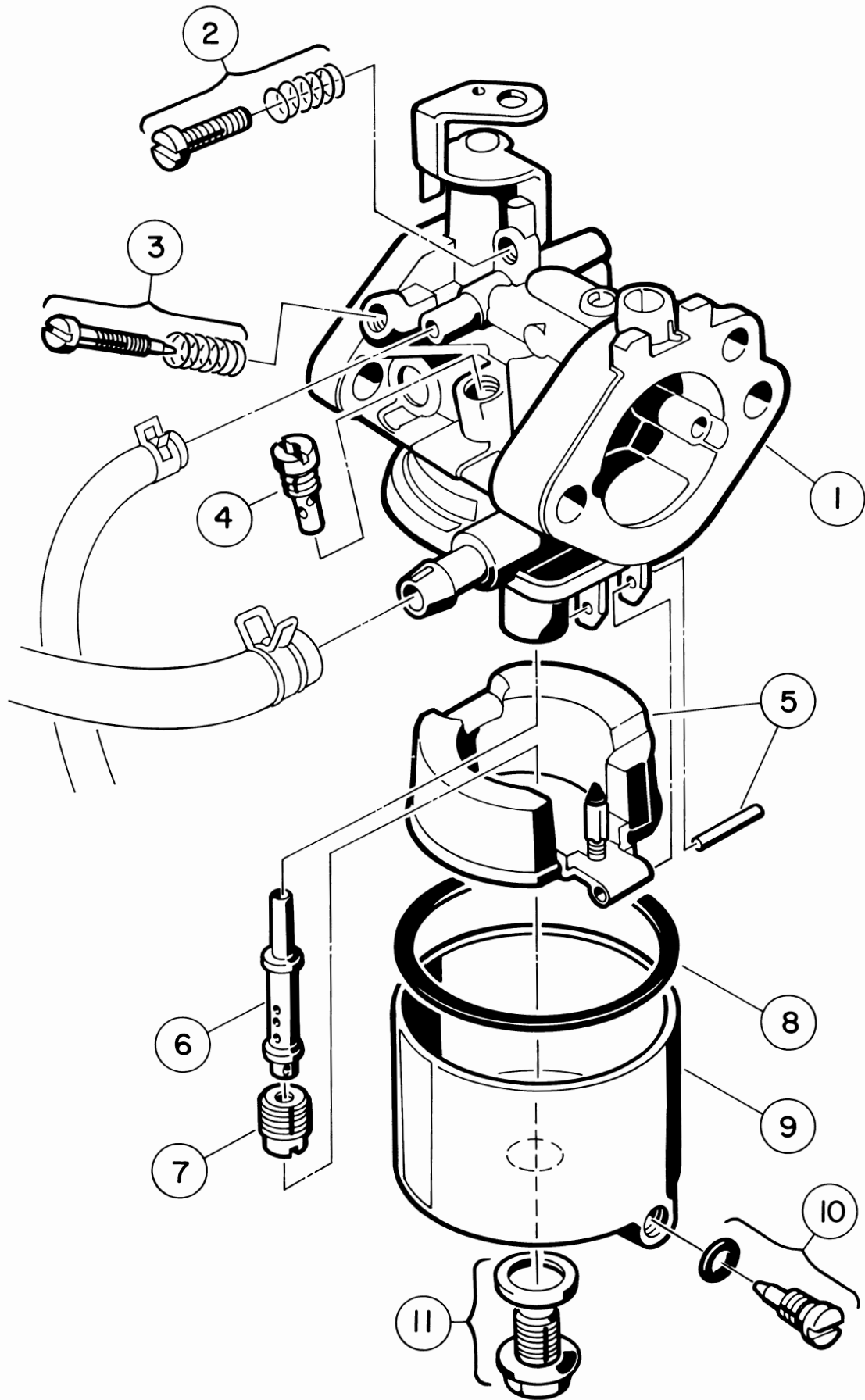
FUEL SYSTEM ASSEMBLY

FUEL SYSTEM ASSEMBLY

G

ITEM NUMBER	PART NUMBER	1 2 3 4				DESCRIPTION	UNITS PER VEHICLE
1	1015188					FUEL TANK CAP	1
2	1015143					FUEL TANK VENT	1
3	1015139					INSULATION GROMMET	1
4	1012619					FUEL PICK-UP TUBE	1
6	1016003					FUEL TANK ASSEMBLY	1
						INCLUDES ITEMS 1 THRU 3 AND ITEM 7	
7	NO #					VENT FUEL LINE, 17"	1
						SEE ITEM 37	
9	1014928					REAR FUEL STRAP ASSEMBLY	1
11	1014927					FRONT FUEL STRAP ASSEMBLY	1
12	1014523					FUEL PUMP	1
13	7847					HEX HEAD BOLT, 1/4-20 X 3/4	3
14	451					LOCKWASHER, HEL SP, 1/4" DIAMETER	2
15	1028					HEX NUT,1/4-20	2
16	1013134					HOSE CLAMP (RED)	6
17	1013684					PRIMARY FUEL FILTER (WHITE)	1
18	NO #					FUEL LINE, 6"	1
						SEE ITEM 35	
19	NO #					FUEL LINE, 2"	1
						SEE ITEM 35	
20	1012649					HOSE CLAMP	3
21	NO #					FUEL LINE, 19-1/4"	1
						SEE ITEM 36	
22	8639					TIE WRAP (IF USED)	1
23	NO #					FUEL LINE, 22"	1
						SEE ITEM 35	
24	1014522					SECONDARY FUEL FILTER (BLUE)	1
25	NO #					FUEL LINE,2-1/4"	1
						SEE ITEM 36	
26	1013687					HOSE CLAMP, 3/8" DIAMETER	1
30	1014116					SPEED NUT,U-TYPE, 1/4-20	2
31	1013176					PH TR HEAD SCREW, 1/4-20 X 2-1/2	1
32	332					FLATWASHER, 1/4" DIAMETER	1
33	8233					NYLON LOCKNUT, 1/4-20	1
34	1011988					PH TR HEAD SCREW, 1/4-20 X 2	1
35	1012293					FUEL LINE BULK	A/R
36	1013692					FUEL LINE BULK	A/R
37	1015137					FUEL LINE BULK	A/R

7



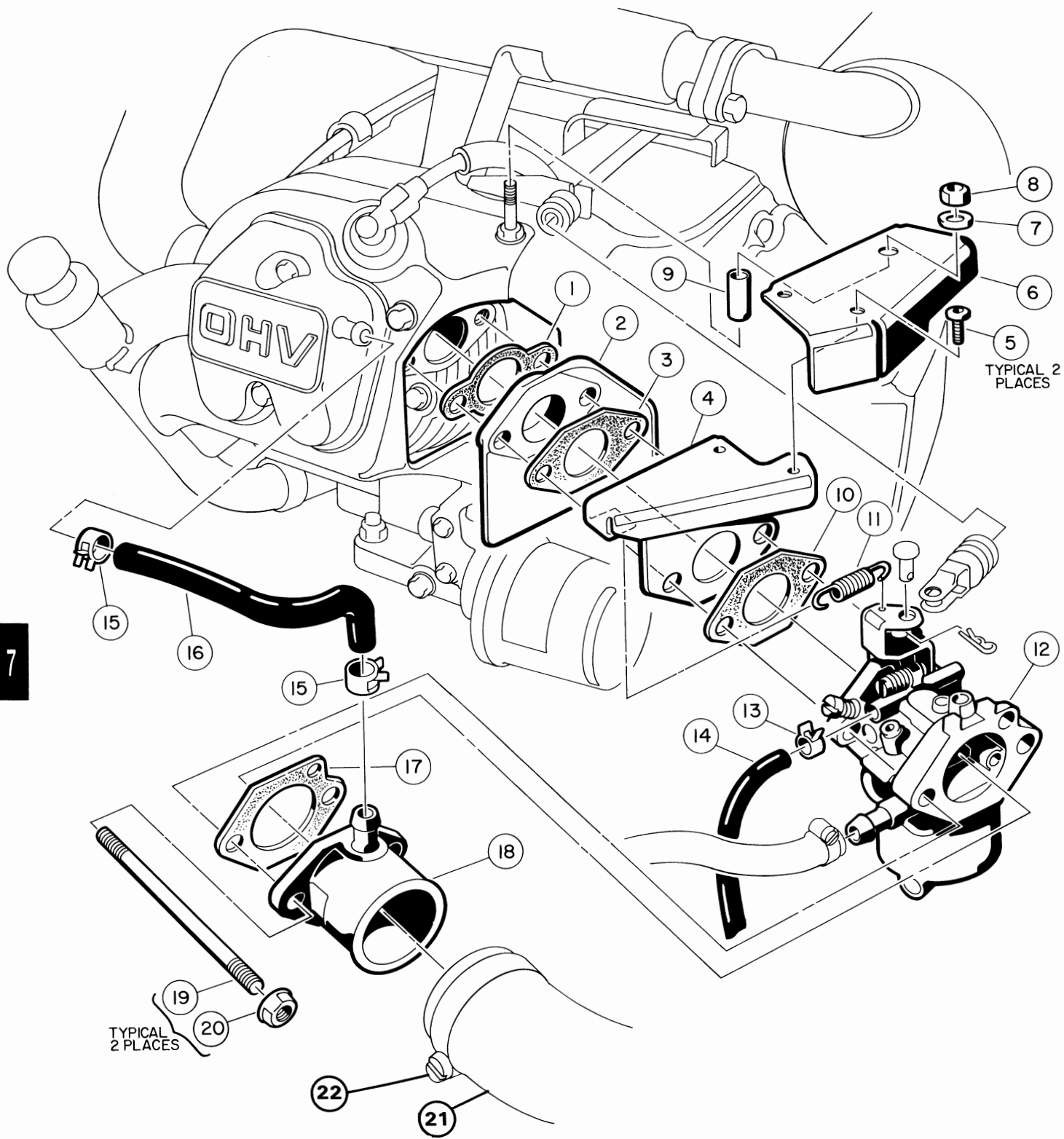
CARBURETOR ASSEMBLY

CARBURETOR ASSEMBLY

ITEM NUMBER	PART NUMBER	1 2 3 4	DESCRIPTION	UNITS PER VEHICLE
1	1016478		CARBURETOR ASSEMBLY INCLUDES ITEMS 2 THRU 11 AND CARBURETOR BODY WITH THROTTLE VALVE	1
2	1016501		SCREW ASSEMBLY	1
3	1016500		SCREW ASSEMBLY	1
4	1016574		PILOT JET, #45	1
5	1016486		FLOAT ASSEMBLY	1
6	1016530		MAIN NOZZLE	1
7	1016573		MAIN JET	1
8	1016437		GASKET	1
9	1016487		FLOAT CHAMBER ASSEMBLY INCLUDES ITEM 10 AND FLOAT CHAMBER	1
10	1016499		SCREW ASSEMBLY	1
11	1016585		BOLT	1

G

7



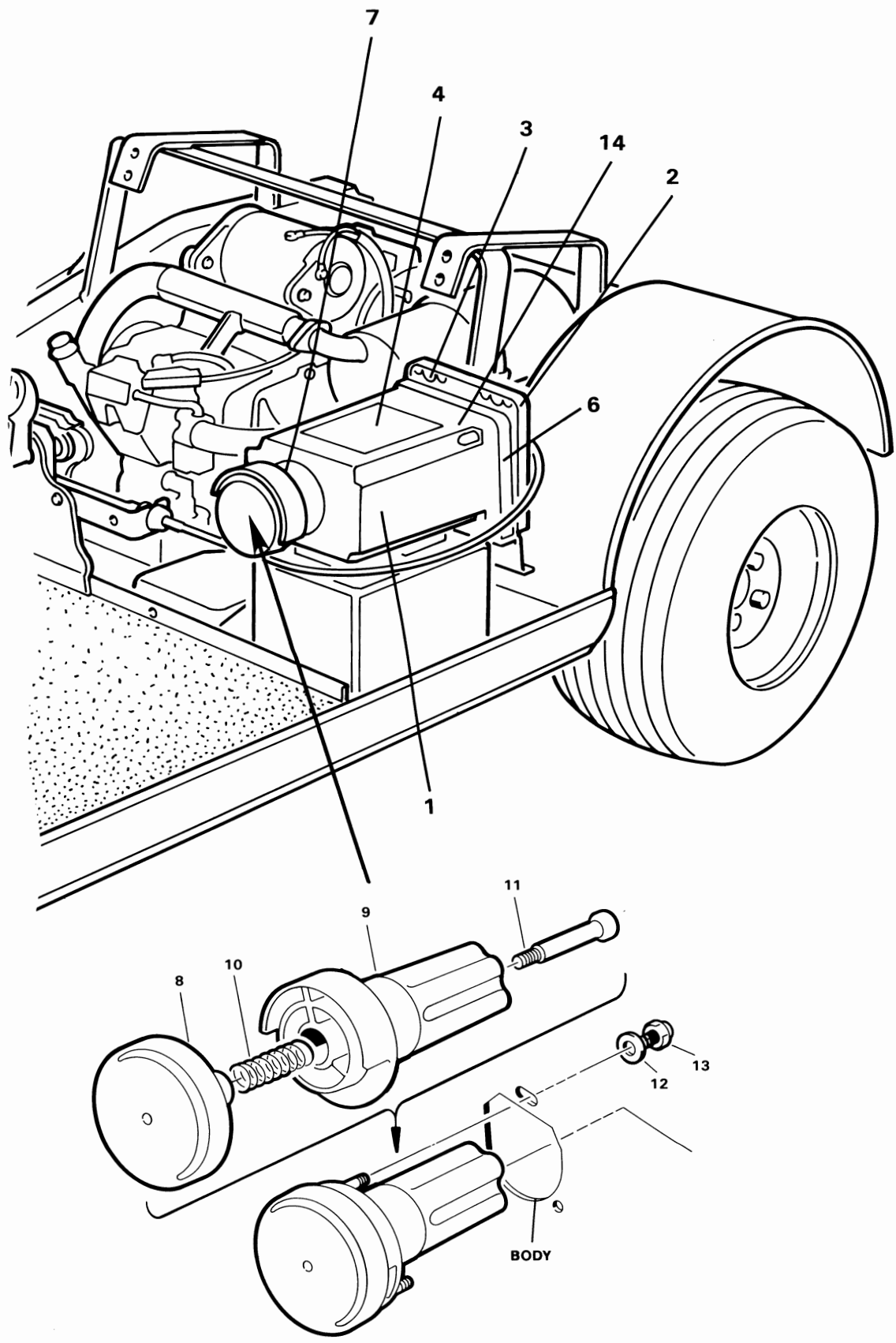
GOVERNOR GUARD AND INTAKE HOSE

GOVERNOR GUARD AND INTAKE HOSE

G

ITEM NUMBER	PART NUMBER	DESCRIPTION				UNITS PER VEHICLE
		1	2	3	4	
1	1016440	INSULATOR GASKET				1
2	1016481	INSULATOR				1
3	1016439	CARBURETOR GASKET				1
4	1016444	BRACKET				1
5	1016103	PAN HEAD, TORX HEAD, SELF-TAPPING SCREW, #6-32 X 1/4				2
6	1016102	GOVERNOR GUARD				1
7	451	LOCKWASHER, 1/4" DIAMETER				1
8	1011114	HEX NUT, M6				1
9	1016848	SPACER				1
10	1016441	GASKET				1
11	1016582	SPRING				1
12	1016478	CARBURETOR ASSEMBLY				1
13	1013746	HOSE CLAMP				1
14	1015877-01	AIR VENT TUBE				1
15	1013746	HOSE CLAMP				2
16	1016572	TUBE				1
17	1016438	AIR FILTER GASKET				1
18	1016480	INTAKE PIPE				1
19	1016490	STUD BOLT				2
20	1016547	FLANGED NUT, M6				2
21	1016228	HOSE — INTAKE				1
22	1015430	CLAMP — HOSE				2

7



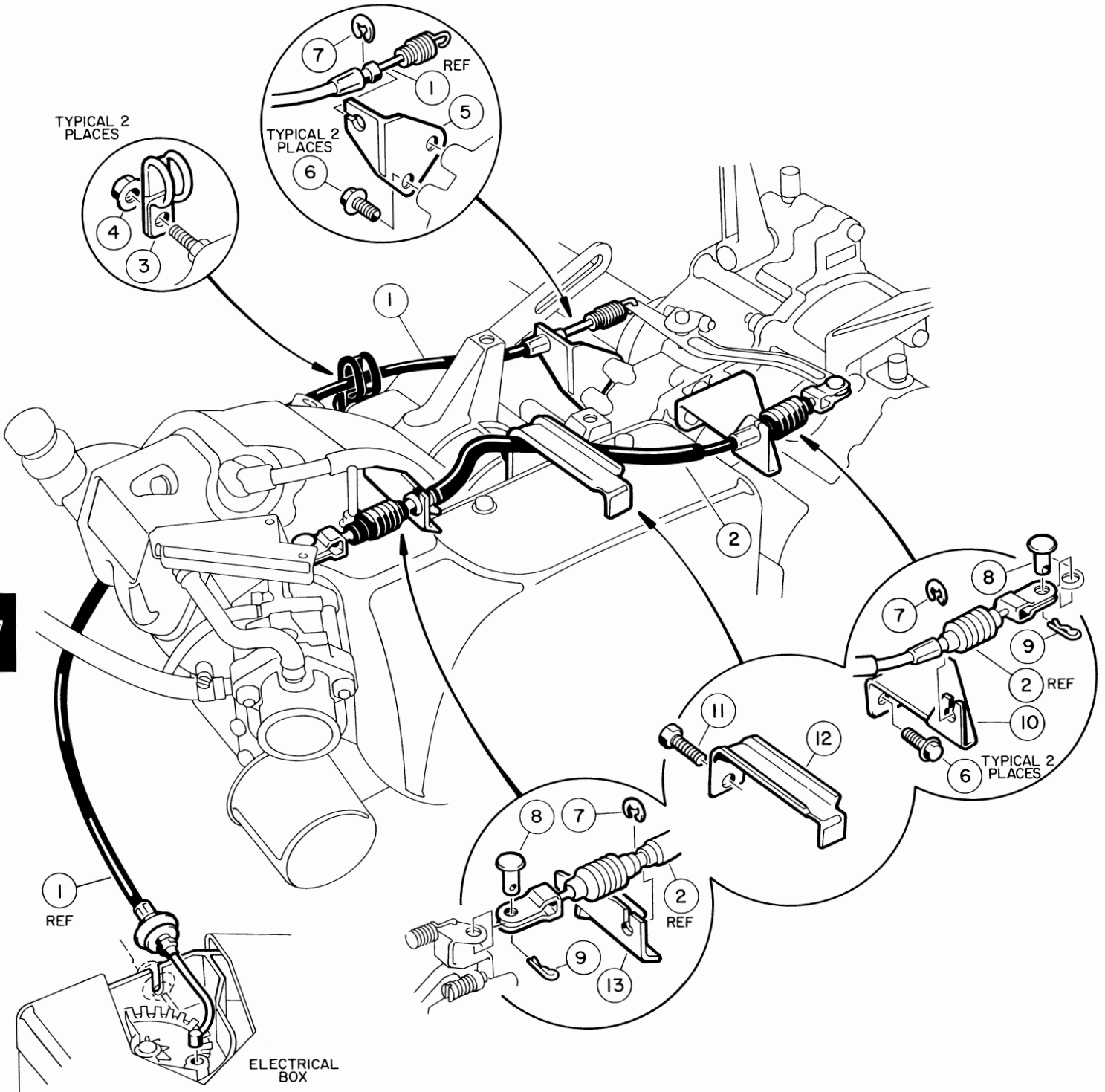
EXPANSION CHAMBER, CHOKE AND FILTER

EXPANSION CHAMBER, CHOKE AND FILTER

ITEM NUMBER	PART NUMBER	1 2 3 4	DESCRIPTION	UNITS PER VEHICLE
	1015431		EXPANSION CHAMBER ASSEMBLY INCLUDES ITEMS 1 THRU 5 AND ITEMS 7 AND 14	1
1	1015540		INTAKE EXPANSION CHAMBER	1
2	1015293		INTAKE EXPANSION CHAMBER COVER	1
3	1015290		STUD — FASTENER	2
3	1015291		GROMMET — FASTENER	2
3	1015292		SPRING — FASTENER	2
4	1016062		DECAL — SERVICE	1
5	1015541		AIR BOX BAFFEL — PRIMARY (NOT SHOWN)	1
5	1015542		AIR BOX BAFFEL — SECONDARY (NOT SHOWN)	1
5	1015289		5/8 LONG HI-LO SCREW	1
6	1015577		RETENTION STRAP	1
7	1015425		"O"-RING 0.210 X 1.975 I.D.	1
8	1012629		COVER — CHOKE	1
9	1015485		BASE — CHOKE	1
10	1012633		SPRING — CHOKE COMPRESSION	1
11	1012634		SCREW — CHOKE	1
12	183		WASHER — #10 FLAT	3
13	1015289		SCREW — #10 X .62 HI-LO	3
14	1015426		FILTER ELEMENT (NOT SHOWN)	1

G

7



GOVERNOR AND ACCELERATOR CABLES

GOVERNOR AND ACCELERATOR CABLES

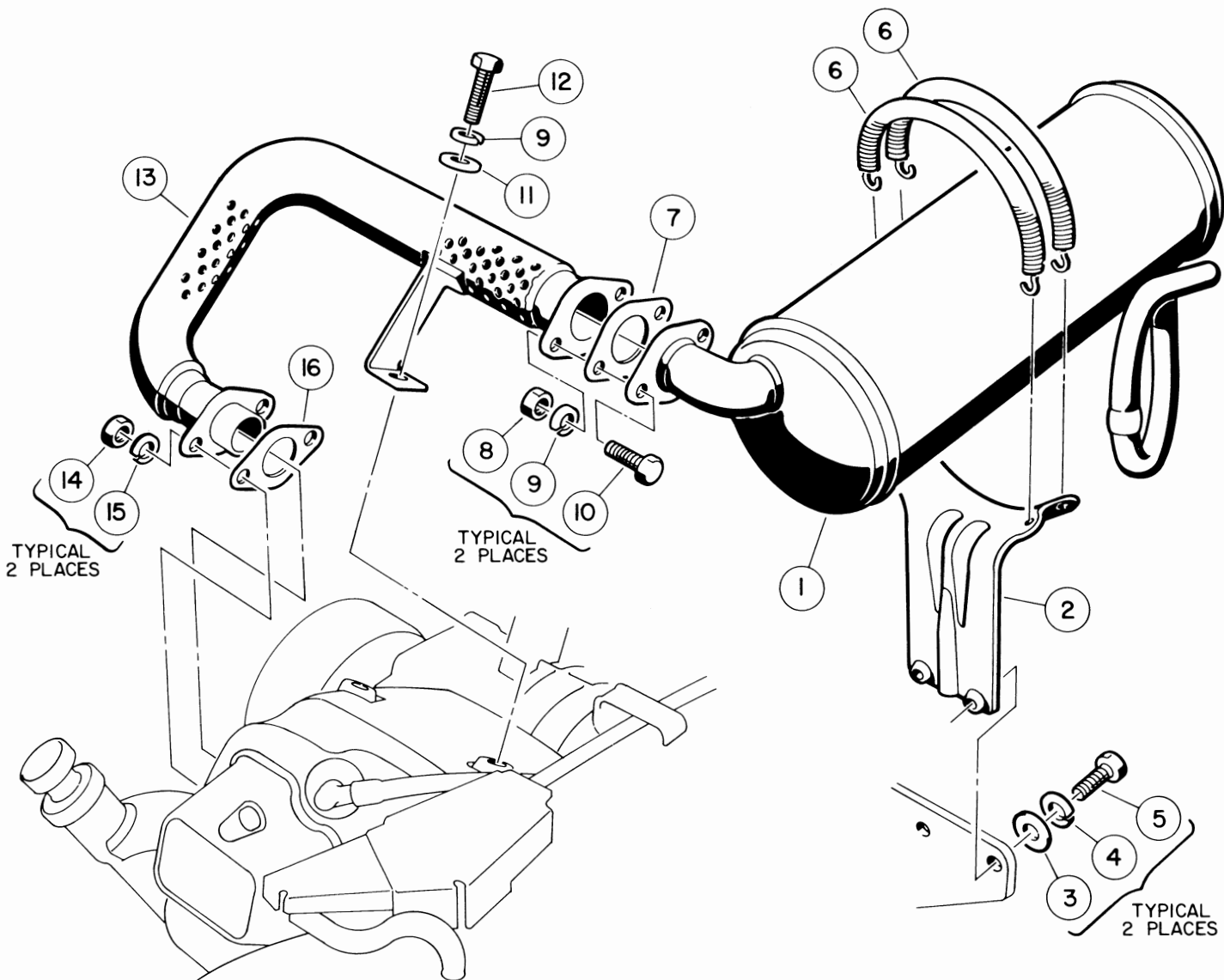
ITEM NUMBER	PART NUMBER	DESCRIPTION				UNITS PER VEHICLE
		1	2	3	4	
1	1015225	ACCELERATOR CABLE				1
2	1015226	GOVERNOR CABLE				1
3	1013700	CLAMP — HOSE RETAINING				2
4	1016546	NUT				2
5	1015410	ACCELERATOR SUPPORT BRACKET				1
6	1015746	SCREW, 1/4-20 X 5/8" LONG THREAD FORMING				4
7	1016202	"E"-CLIP				3
8	1015408	CLEVIS PIN				2
9	1014413	HAIR SPRING COTTER — 1/8" I.D. X 5/8" LONG				2
10	1015411	SUPPORT BRACKET				1
11	1016456	FLANGED BOLT				1
12	1016057	THROTTLE CABLE CLAMP				1
13	1015845	GOVERNOR CABLE BRACKET				1

G

7

Section 8
EXHAUST SYSTEM

81



EXHAUST SYSTEM

EXHAUST SYSTEM

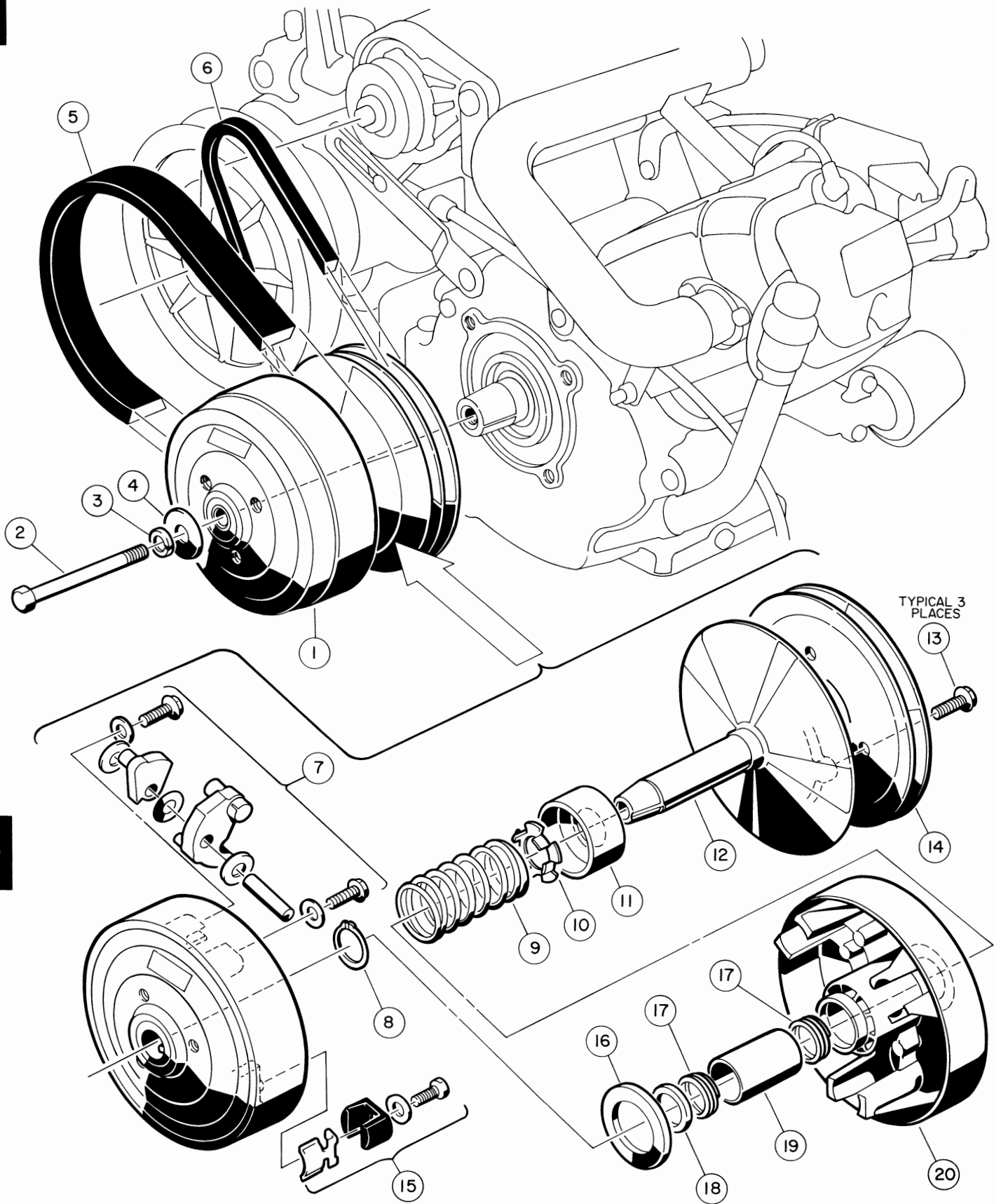
ITEM NUMBER	PART NUMBER	1 2 3 4				DESCRIPTION	UNITS PER VEHICLE
1	1016821					MUFFLER	1
2	1015814					MUFFLER BRACKET	1
3	332					FLATWASHER, 1/4" DIAMETER	2
4	451					LOCKWASHER, 1/4" DIAMETER	2
5	7847					HEX HEAD SCREW, 1/4-20 X 3/4	2
6	1015881					MUFFLER SPRING	2
7	1015450					GASKET	1
8	1242					HEX NUT, 5/16-18	2
9	7174					LOCKWASHER, 5/16" DIAMETER	2
10	1010934					HEX HEAD BOLT, 5/16-18 X 1	2
11	1011697					FLATWASHER, 5/16" DIAMETER	1
12	1012830					HEX HEAD SCREW, M8-1.25 X 22MM	1
13	1015247					EXHAUST HEADER	1
14	1012528					HEX NUT, 8MM	2
15	1013734					LOCKWASHER, 8MM	2
16	1015330					GASKET	1

G

8

Section 9

TORQUE CONVERTER



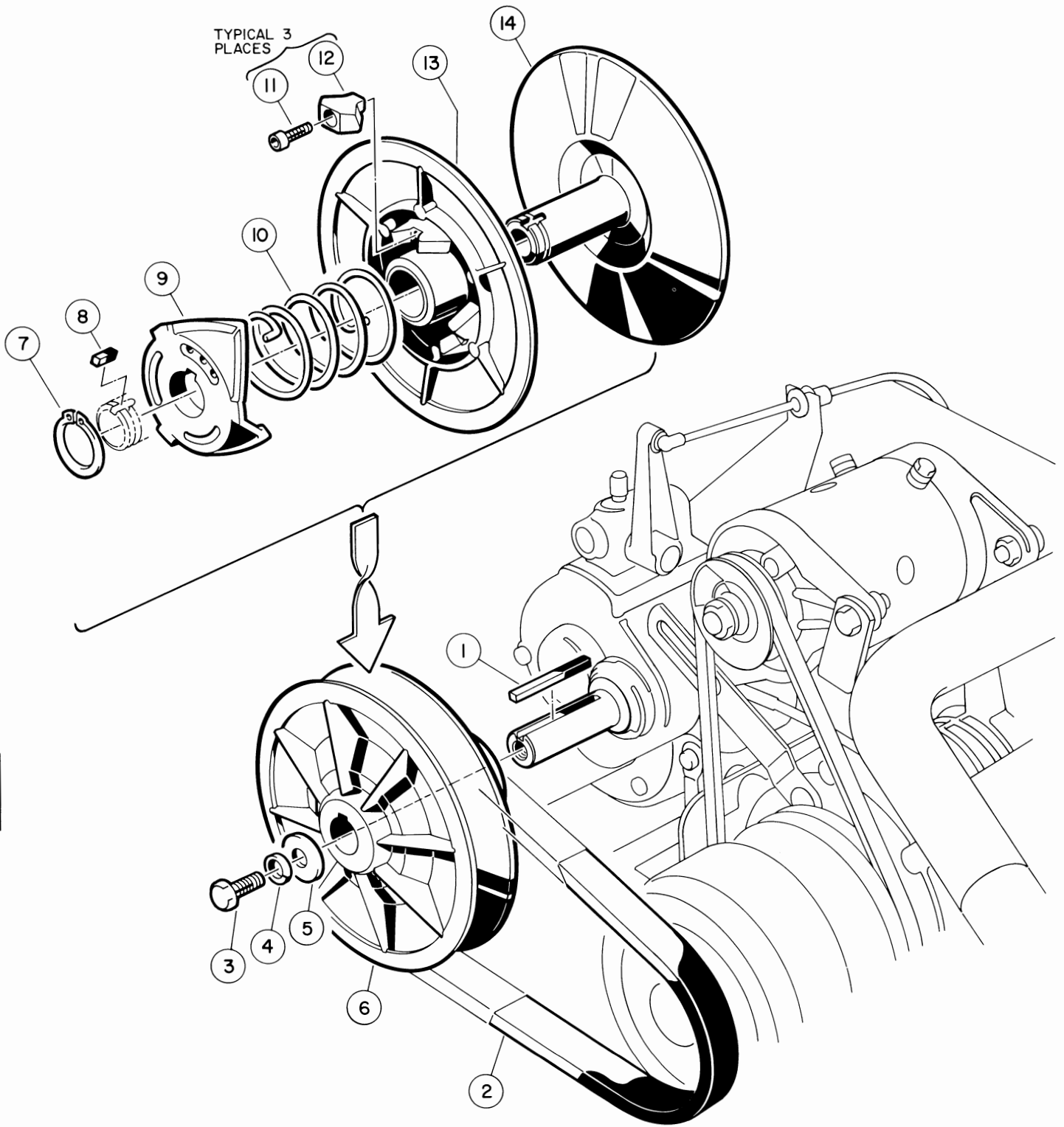
DRIVE CLUTCH ASSEMBLY

DRIVE CLUTCH ASSEMBLY

ITEM NUMBER	PART NUMBER	1 2 3 4	DESCRIPTION	UNITS PER VEHICLE
	1016378-02		DRIVE CLUTCH ASSEMBLY	
1	1014059		DRIVE HUB	1
2	1012441		3/8"-24 X 5-1/2" HEX BOLT	1
3	357		3/8" LOCKWASHER	1
4	808		3/8" TYPE B FLATWASHER	1
5	1014081		DRIVE BELT	1
6	1014290		STARTER/GENERATOR BELT	1
7	1016801		DRIVE CLUTCH WEIGHT KIT — OHV	1
8	1014057		RETAINING RING	1
9	1014051		SPRING — DRIVE CLUTCH	1
10	1014050		SPRING RETAINER	1
11	1014049		IDLER BEARING	1
12	1014451		FIXED FACE — DRIVE	1
15	1014453		DRIVE CLUTCH BUTTON KIT	1
16	1014058		THRUST WASHER	1
17	1014056		SPIRAL — BACK-UP RING	2
18	1016289		SPACER — NYLON	1
20	1014052		MOVABLE FACE ASSEMBLY INCLUDES ITEMS 18 AND 19	1

G

9



DRIVEN CLUTCH ASSEMBLY

DRIVEN CLUTCH ASSEMBLY

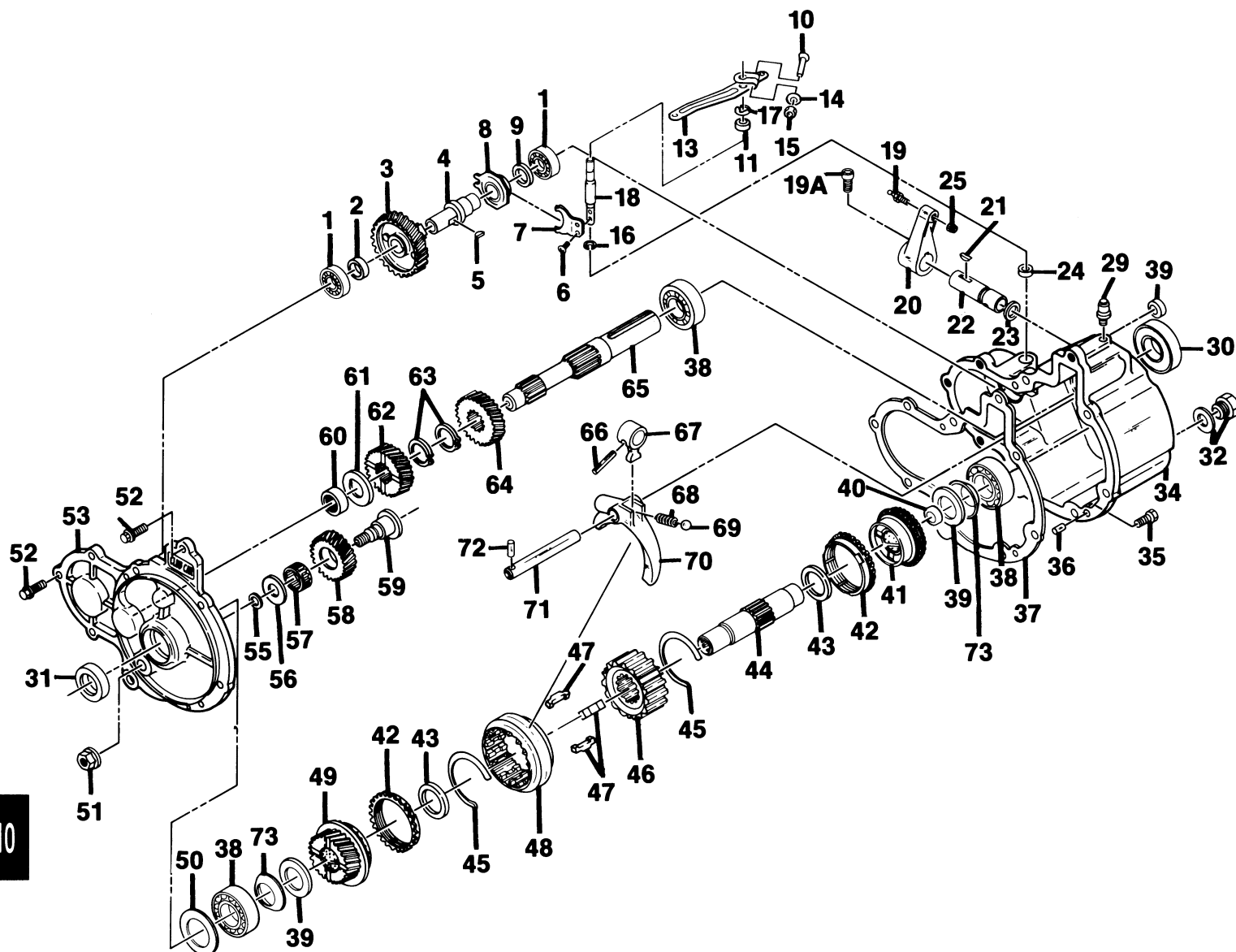
ITEM NUMBER	PART NUMBER	1	2	3	4	DESCRIPTION	UNITS PER VEHICLE
	1016360-02					DRIVEN CLUTCH ASSEMBLY	
1	1012455					SHAFT KEY	1
2	1016203					DRIVE BELT	1
3	7173					HEX HEAD BOLT, 5/16-18 X 3/4	1
4	7174					LOCKWASHER, 5/16" DIAMETER	1
5	1012571					HEAVY FLATWASHER, 5/16" DIAMETER	1
6	1016360-02					DRIVEN CLUTCH ASSEMBLY INCLUDES ITEMS 7 THRU 14	1
7	1014080					RETAINING RING	1
8	1014078					SHORT KEY	1
9	1014077					CAM	1
10	1016359					75° SPRING	1
11	1012836					SOC HEAD CAP SCREW, #8-32 X 3/4	3
12	1014076					DRIVE BUTTON	3
13	1014072					MOVABLE FACE ASSEMBLY	1
14	1014070					FIXED FACE ASSEMBLY	1
	1014454					DRIVEN CLUTCH BUTTON KIT INCLUDES ITEMS 11 AND 12	1

G

9

Section 10

TRANSMISSION AND GOVERNOR



TRANSMISSION ASSEMBLY

TRANSMISSION ASSEMBLY

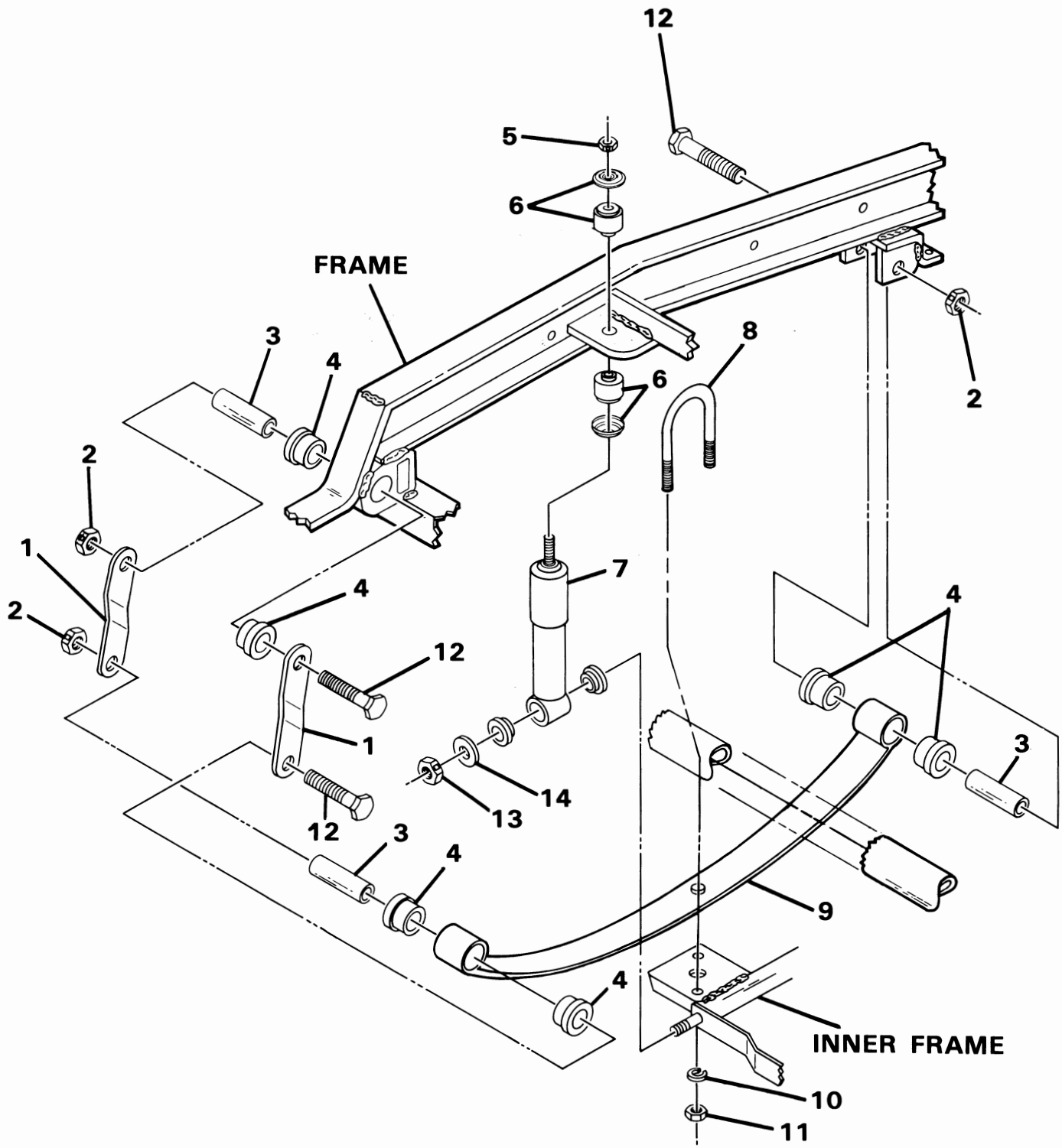
ITEM NUMBER	PART NUMBER	DESCRIPTION				UNITS PER VEHICLE
		1	2	3	4	
	1015747	TRANSMISSION ASSEMBLY				1
1	1012761	BALL BEARING				2
2	1012759	SPACER-THICK				1
3	1012755	GOVERNOR GEAR, 41 TOOTH				1
4	1016598	GOVERNOR SHAFT				1
5	1012760	GOVERNOR SHAFT KEY				1
6	1012764	SCREW, M4 X 0.7 X 6MM				2
7	1012763	GOVERNOR ARM, INTERNAL				1
8	1012757	GOVERNOR SLEEVE				1
9	1012758	SPACER-THIN				1
10	1016540	BOLT, M6 X 1 X 25MM HEX				1
11	1012772	GOVERNOR ARM PIVOT				1
13	1015710	GOVERNOR ARM, EXTERNAL				1
14	1016513	WASHER, FLAT				1
15	1012770	NUT, M6 X 1				1
16	1012766	SNAP RING				2
17	1012765	WASHER				1
18	1012762	GOVERNOR ARM SHAFT				1
19	1010954	BALL STUD				1
19A	1012602	CAP SCREW, SOCKET HEAD, 10-24 X 3/8"				1
20	1012414	TRANSMISSION SHIFTER ARM, OUTSIDE				1
21	1012753	SHIFTER SHAFT KEY				1
22	1012751	SHIFTER SHAFT				1
23	1012754	O-RING				1
24	1012767	OIL SEAL				1
25	8717	LOCKNUT, 1/4-28 NYLON				1
29	1012711	BREATHER				1
30	1012714	OIL SEAL				2
32	1013759	DRAIN PLUG WITH GASKET				1
34	1013960	GEAR CASE				1
35	1012719	BOLT, M6 X 1 X 14MM HEX				1
36	1012710	DOWEL PIN				2
37	1012717	CASE GASKET				1
38	7336	BALL BEARING				3
39	1016337	THRUST WASHER				2
40	1012735	PLUG				2
41	1016591	GEAR ASSEMBLY, 36 TOOTH				1
42	1012742	SYNCHRONIZER RING				2
43	1012743	THRUST WASHER				2
44	1012734	OUTPUT SHAFT				1
45	1012741	SYNCHRO SPRING				2
46	1012738	CLUTCH HUB				1
47	1012740	SYNCHRO INSERT				3
48	1012739	SLEEVE				1
49	1012737	GEAR ASSEMBLY, 34 TOOTH				1
50	1012783	SHIM 0.2MM				A/R
50	1012784	SHIM 0.1MM				A/R
51	1012733	FLANGE NUT, M12 X 1.25				1
52	1012718	BOLT, M6 X 1 X 20MM HEX				4
53	1012715	COVER				1
55	1012732	O-RING				1
56	1012730	THRUST WASHER				1
57	1012731	NEEDLE BEARING				1
58	1012729	REVERSE IDLER GEAR				1
59	1012728	IDLER SHAFT				1
60	1012716	NEEDLE BEARING				1
61	1012723	THRUST WASHER, 3.0MM				A/R
61	1012724	THRUST WASHER, 3.3MM WHITE				A/R
61	1012725	THRUST WASHER, 3.6MM YELLOW				A/R
62	1012722	GEAR, 25 TOOTH				1
63	1012727	SNAP RING				2
64	1016594	GEAR, 27 TOOTH				1
65	1012720	INPUT SHAFT				1
66	1012752	ROLL PIN				1
67	1012750	SHIFTER ARM LEVER, INSIDE				1
68	1012748	SHIFTER SPRING				1
69	1012747	SHIFTER BALL				1
70	1012746	SLEEVE SHIFT ARM				1
71	1012745	SHIFT ROD				1
72	1012749	ROLL PIN				1
73	1016338	BELLEVILLE SPRING				2

G

10

Section 11

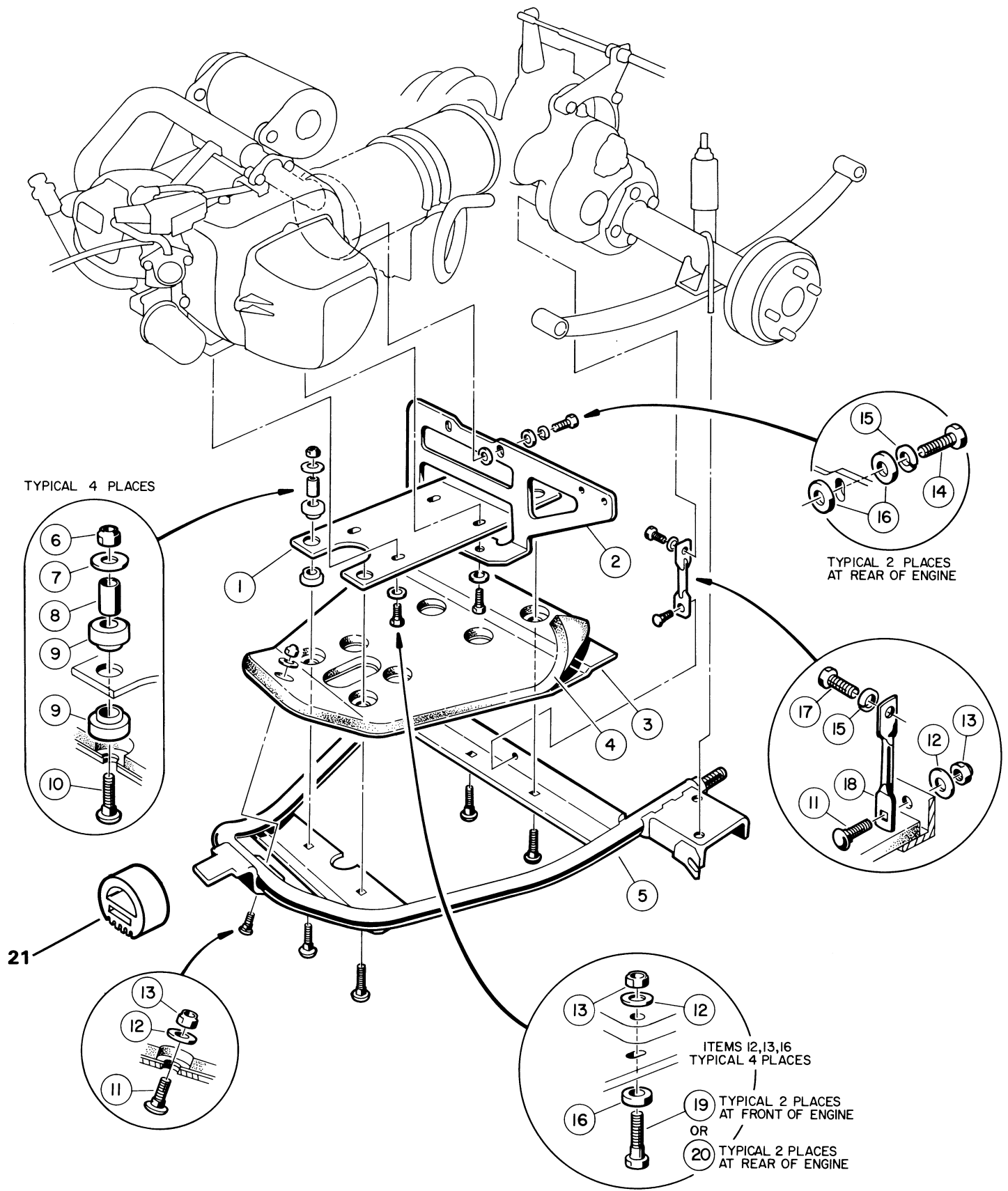
REAR SUSPENSION



REAR SUSPENSION ASSEMBLY

REAR SUSPENSION ASSEMBLY

ITEM NUMBER	PART NUMBER	1 2 3 4	DESCRIPTION	UNITS PER VEHICLE
1	1012304		REAR SPRING SHACKLE	4
2	1010138		DIMPLED LOCKNUT, 3/8-16 UNC	6
3	1012303		STEEL BUSHING	4
4	1015583		URETHANE BUSHING	12
5	1010145		NUT, 3/8-24 UNC HEX	2
6	1011415		SHOCK ABSORBER CUSHION KIT	2
7	1014234		SHOCK ABSORBER KIT INCLUDES ITEM 6	1
8	1012180		"U" BOLT	2
9	1012324		REAR SPRING	2
10	357		LOCKWASHER, 3/8	4
11	706		NUT, 3/8-16 UNC HEX	8
12	8755		BOLT, HEX, 3/8-16 UNC X 3-3/8"	6
13	1010188		DIMPLED LOCKNUT, 5/8-11	2
14	1010193		FLATWASHER, 5/8	2
15	1012781		SHOCK ABSORBER KIT INCLUDES ITEMS 6 AND 7	1



INNER FRAME ASSEMBLY

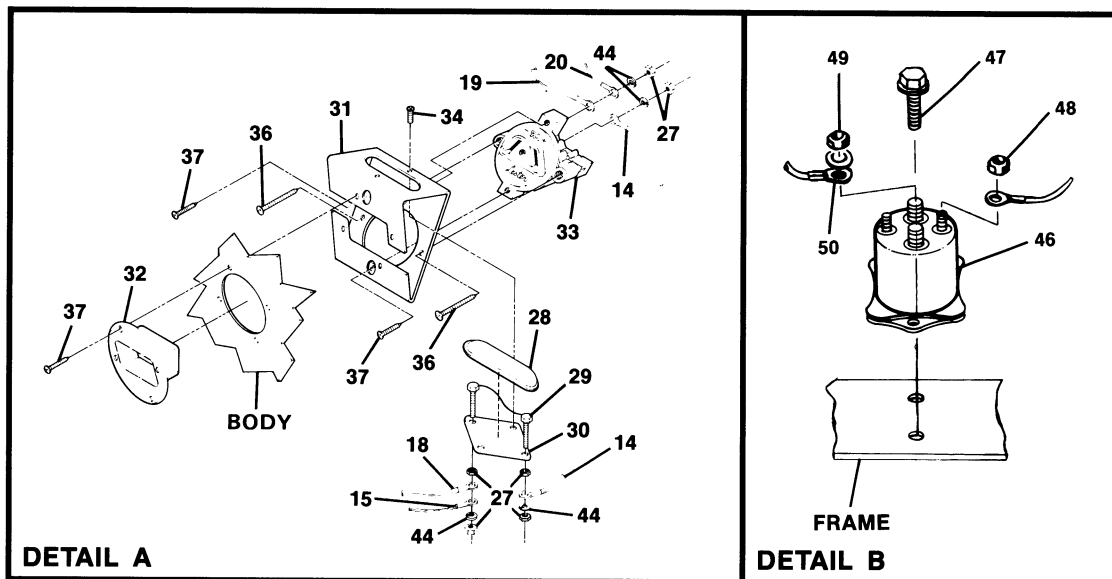
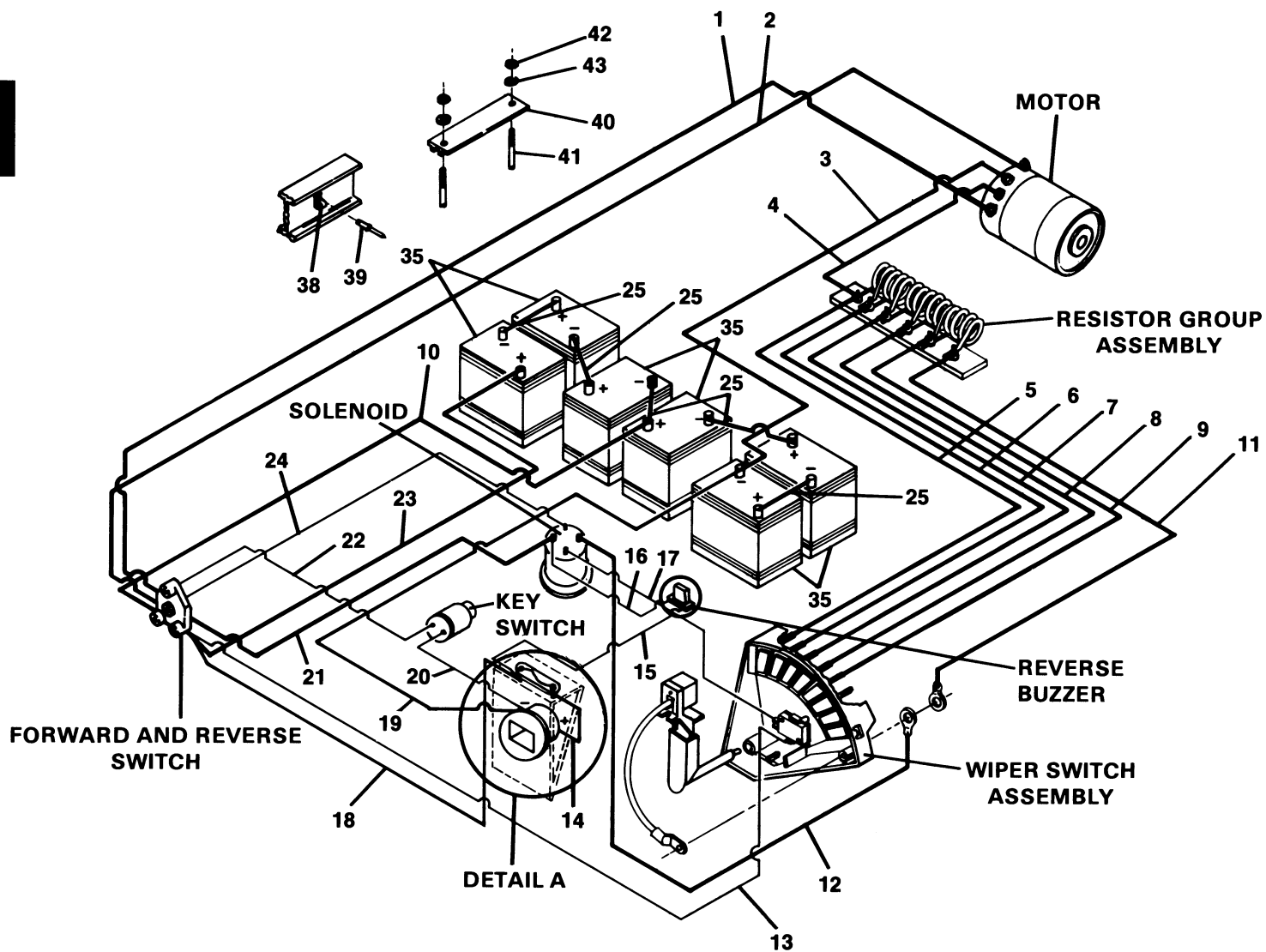
INNER FRAME ASSEMBLY

ITEM NUMBER	PART NUMBER	1 2 3 4				DESCRIPTION	UNITS PER VEHICLE
1	1016010					INNER FRAME MOUNTING PLATE	1
2	1016206					MUFFLER MOUNTING PLATE	1
3	1016196					BELLY PAN	1
4	1016197					SOUND INSULATION	1
5	1016198					INNER FRAME	1
6	8754					NYLON LOCKNUT, 3/8-16	4
7	808					FLATWASHER	4
8	1012291					STEEL BUSHING	4
9	1012290					ENGINE MOUNTS	8
10	1012428					ROUND HEAD SQUARE NECK BOLT, 3/8-16 X 2-1/4	4
11	1015932					ROUND HEAD SQUARE NECK BOLT, 5/16-18 X 1	2
12	1241					FLATWASHER, 5/16" DIAMETER	6
13	7473					NYLON LOCKNUT, 5/16-18	6
14	1015709					HEX HEAD CAP SCREW, M8-1.25 X 30MM	2
15	7174					LOCKWASHER, 5/16" DIAMETER	3
16	1012571					HEAVY FLATWASHER, 5/16" DIAMETER	8
17	1010577					HEX HEAD SCREW, 5/16-18 X 1-1/2	1
18	1016200-01					TRANSMISSION STRAP	1
19	8963					HEX HEAD BOLT, 5/16-18 X 1-3/4	2
20	8916					HEX HEAD CAP SCREW, 5/16-18 X 2	2
21	1012164					SNUBBER	1

G

11

Section 12
ELECTRICAL



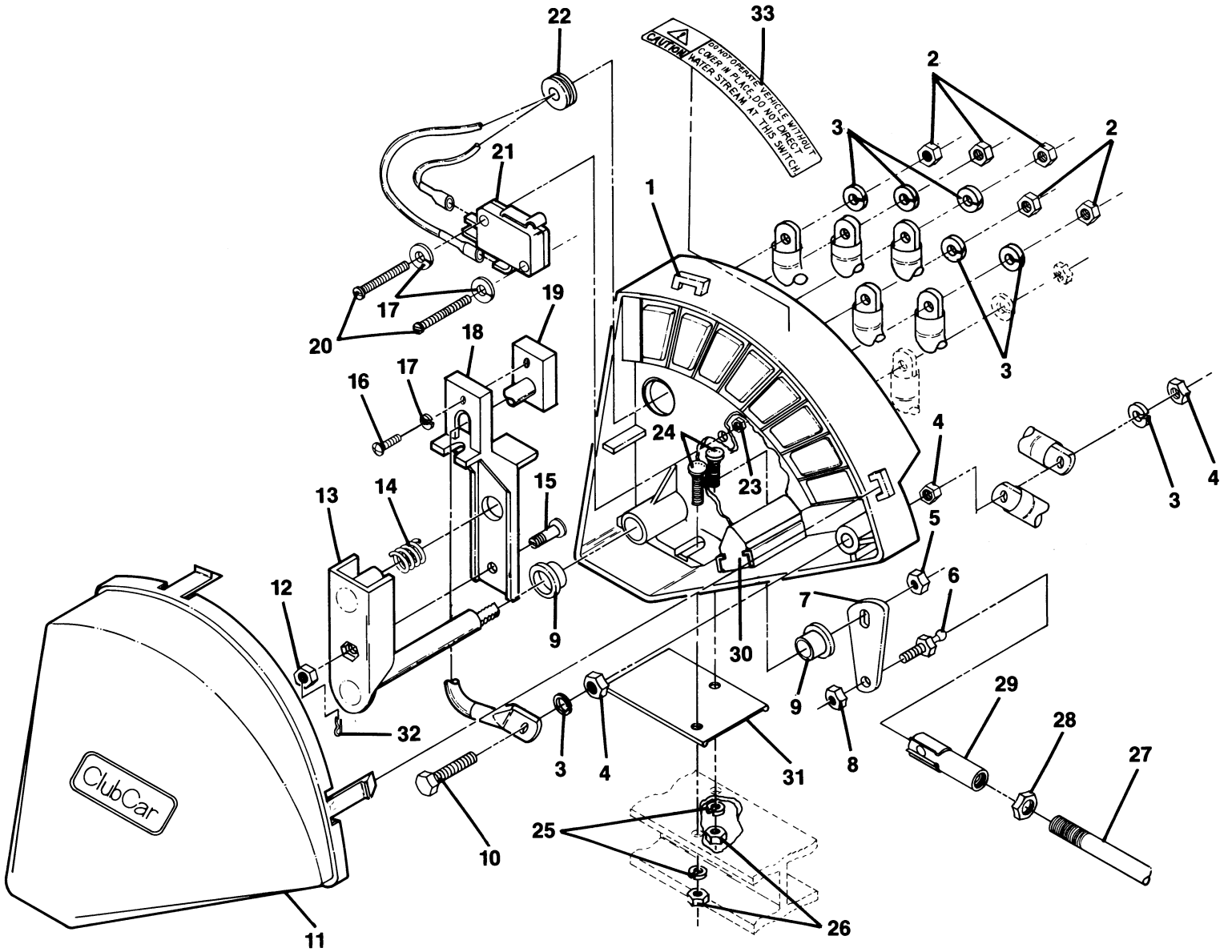
POWER WIRING — ELECTRIC CAR

POWER WIRING — ELECTRIC CAR

ITEM NUMBER	PART NUMBER	1 2 3 4				DESCRIPTION	UNITS PER VEHICLE
1	1016070					WIRE ASSEMBLY #6 BROWN	1
2	1016069					WIRE ASSEMBLY #6 PURPLE	1
3	1012651					WIRE ASSEMBLY #6 BLACK	1
4	1016068					WIRE ASSEMBLY #6 GREY	1
5	1014036					WIRE ASSEMBLY #6 BLACK	1
6	1014035					WIRE ASSEMBLY #6 BLUE	1
7	1014034					WIRE ASSEMBLY #6 GREEN	1
8	1014033					WIRE ASSEMBLY #6 YELLOW	1
9	1014032					WIRE ASSEMBLY #6 ORANGE	1
10	1014828					WIRE ASSEMBLY #6 GREEN	1
11	1014030					WIRE ASSEMBLY #6 WHITE	1
12	1014029					WIRE ASSEMBLY #6 WHITE	1
13	1014022					WIRE ASSEMBLY #18 RED	1
14	1013092					WIRE ASSEMBLY #10 RED	1
15	1014024					WIRE ASSEMBLY #18 ORANGE	1
16	1012230					WIRE ASSEMBLY #18 WHITE	1
17	1014023					WIRE ASSEMBLY #18 GREEN	1
18	1012237					WIRE ASSEMBLY #10 RED	1
19	1011010					WIRE ASSEMBLY #10 WHITE	1
20	1011007					WIRE ASSEMBLY #18 RED	1
21	1014039					WIRE ASSEMBLY #6 WHITE	1
22	1011006					WIRE ASSEMBLY #18 BLUE	1
23	1011069					WIRE ASSEMBLY #6 RED	1
24	1014040					WIRE ASSEMBLY #18 YELLOW	1
25	1010958					WIRE ASSEMBLY #6 BLACK	5
27	8797					NUT #10-32, BRASS	6
28	1012143					FUSE LENS	1
29	1012085					FUSE, 80 AMP	1
30	1012142					FUSE HOLDER	1
31	1013628					FUSE AND RECEPTACLE MOUNTING BRACKET	1
32	1013649					RECEPTACLE BEZEL	1
33	4107					CHARGER RECEPTACLE	1
34	1013266					SCREW, PHILLIPS HEAD, TYPE BT, #8-18 X 1/2"	2
35	1016616-01					CLUB CAR 6 VOLT BATTERY	6
36	8795					SELF TAPPING SCREW, PHILLIPS PAN HEAD # 7 X 1-3/4"	2
37	8796					SELF TAPPING SCREW, PHILLIPS PAN HEAD # 7 X 3/4"	6
38	1012022					CABLE CLAMP	3
39	1606					POP RIVET, 3/16"	3
40	1010908					BATTERY HOLD DOWN	3
41	1013683					"J" BOLT	6
42	1014305					HEX NUT, 5/16-18 UNC S.S.	18
43	1011578					FLATWASHER, TYPE B, 5/16"	6
44	1016					#10 SPLIT LOCKWASHER	4
45	1014516					FUSE LINK KIT (NOT SHOWN) INCLUDES ITEMS 27, 28, 29, 30 AND 44	1
46	8016					SOLENOID — 36 VOLT	1
47	1012285					1/4-20 X 5/8" THREAD ROLLING SCREW	2
48	7893					#10-32 HEX NUT	2
49	1242					5/16 X 18 HEX NUT	2
50	7174					WASHER, 5/16 HELICAL SPRING	2

E

12



V-GLIDE WIPER SWITCH

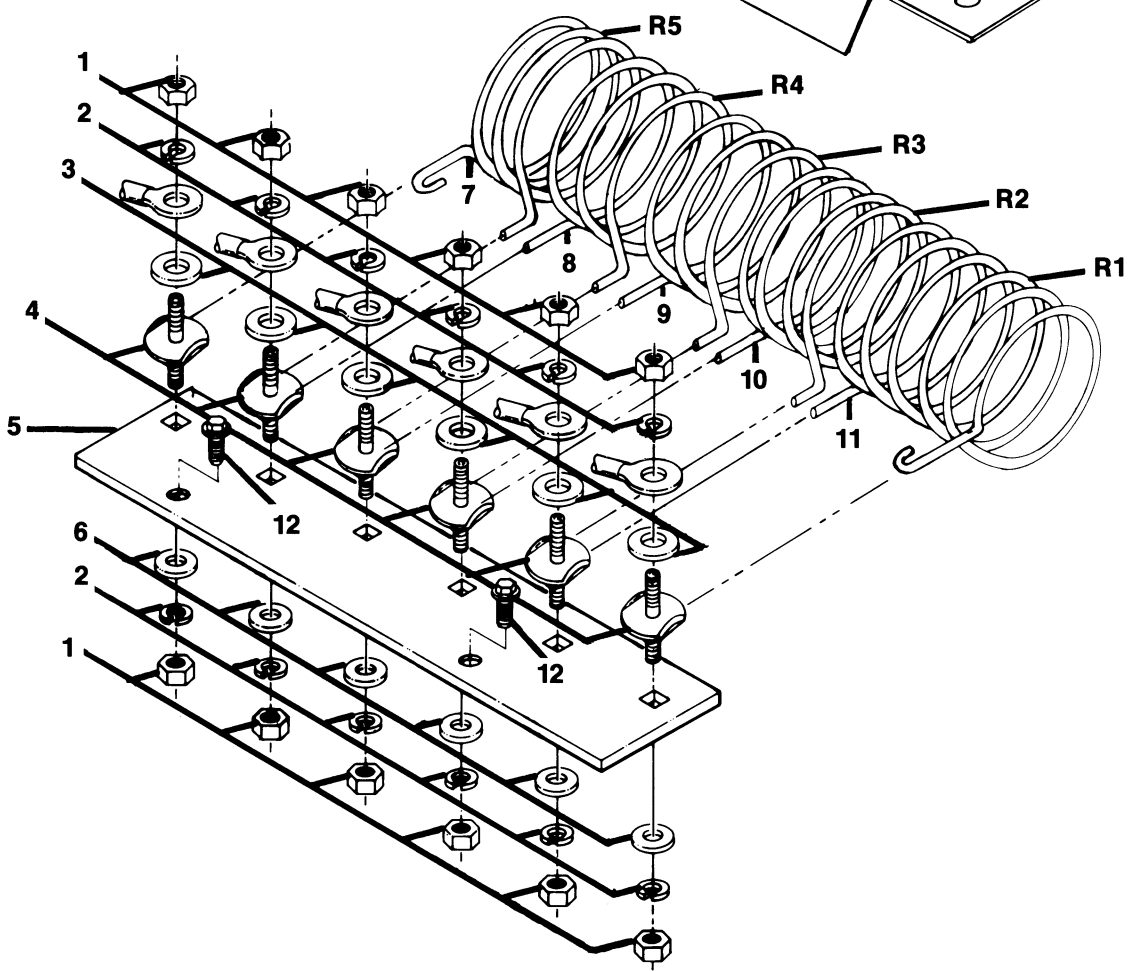
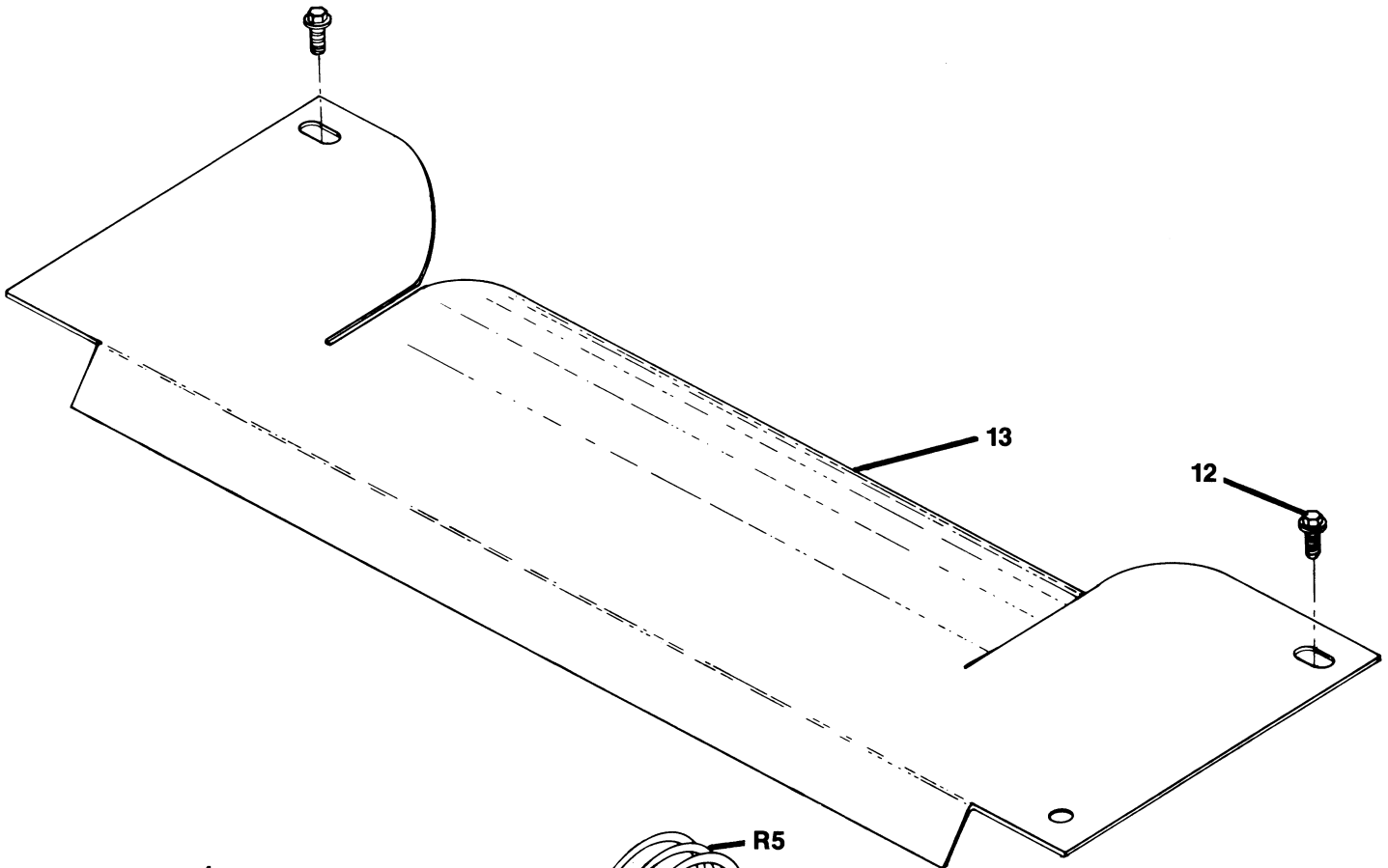
V-GLIDE WIPER SWITCH

ITEM NUMBER	PART NUMBER	1 2 3 4	DESCRIPTION	UNITS PER VEHICLE
	1016140		V-GLIDE CONTROLLER ASSEMBLY	1
			INCLUDES ITEMS 1 THRU 22, 30 AND 33	
1	1014999		SPEED CONTROLLER CASE ASSEMBLY	1
			INCLUDES ITEMS 1 THRU 23, 30, 32, AND 33	
2	1014		1/4"-20 UNC HEX NUT, BRASS	5
3	451		1/4" SPLIT LOCKWASHER	7
4	1014253		1/4"-20 BRASS JAM NUT	3
5	7473		5/16"-18 UNC NYLON LOCKNUT	1
6	1012353		1/4" X 1/4"-28, SHORT BALL STUD	1
7	1014003		SPEED CONTROLLER BELL CRANK	1
8	8449		1/4"-28 DIMPLED LOCKNUT	1
9	1012903		3/8" X 1/2" FLANGE BEARING	2
10	1014189		1/4"-20 X 2.00 HEX CAP SCREW, BRONZE	1
11	1013886		SPEED CONTROLLER COVER	1
12	7893		#10-32 UNF HEX NUT	1
13	1014017		SPEED CONTROLLER SHAFT AND CARRIER	1
14	1013998		SPEED CONTROLLER BRUSH SPRING	1
15	1014000		SPEED CONTROLLER ADJUSTING STUD	1
16	1014019		#4-40 UNC TYPE "F" SCREW	1
17	8058		#4 SPLIT LOCKWASHER	3
18	1013887		SPEED CONTROLLER ARM	1
19	1013860		SPEED CONTROLLER BRUSH	1
20	8056		#4-40 UNC X 3/4" ROUND HEAD SCREW	2
21	1014807		LIMIT SWITCH	1
22	1014010		SPLIT GROMMET	1
23	8057		#4-40 UNC HEX NUT	2
24	1014109		#10-24 X 3/4" ROUND HEAD BOLT	2
25	1016175		#10 SPLIT LOCKWASHER	2
26	1017		#10 HEX NUT	2
27	1014016		ACCELERATOR ROD	1
28	1011084		1/4-28 JAM NUT	2
29	1011734		BALL JOINT	2
30	1014414		BUMPER, SPEED CONTROLLER	1
31	1014367		SHIM, SPEED CONTROLLER	1
32	1014413		HAIR SPRING COTTER PIN	1
33	1014660		SPEED CONTROLLER DECAL	1

E

12

E



12

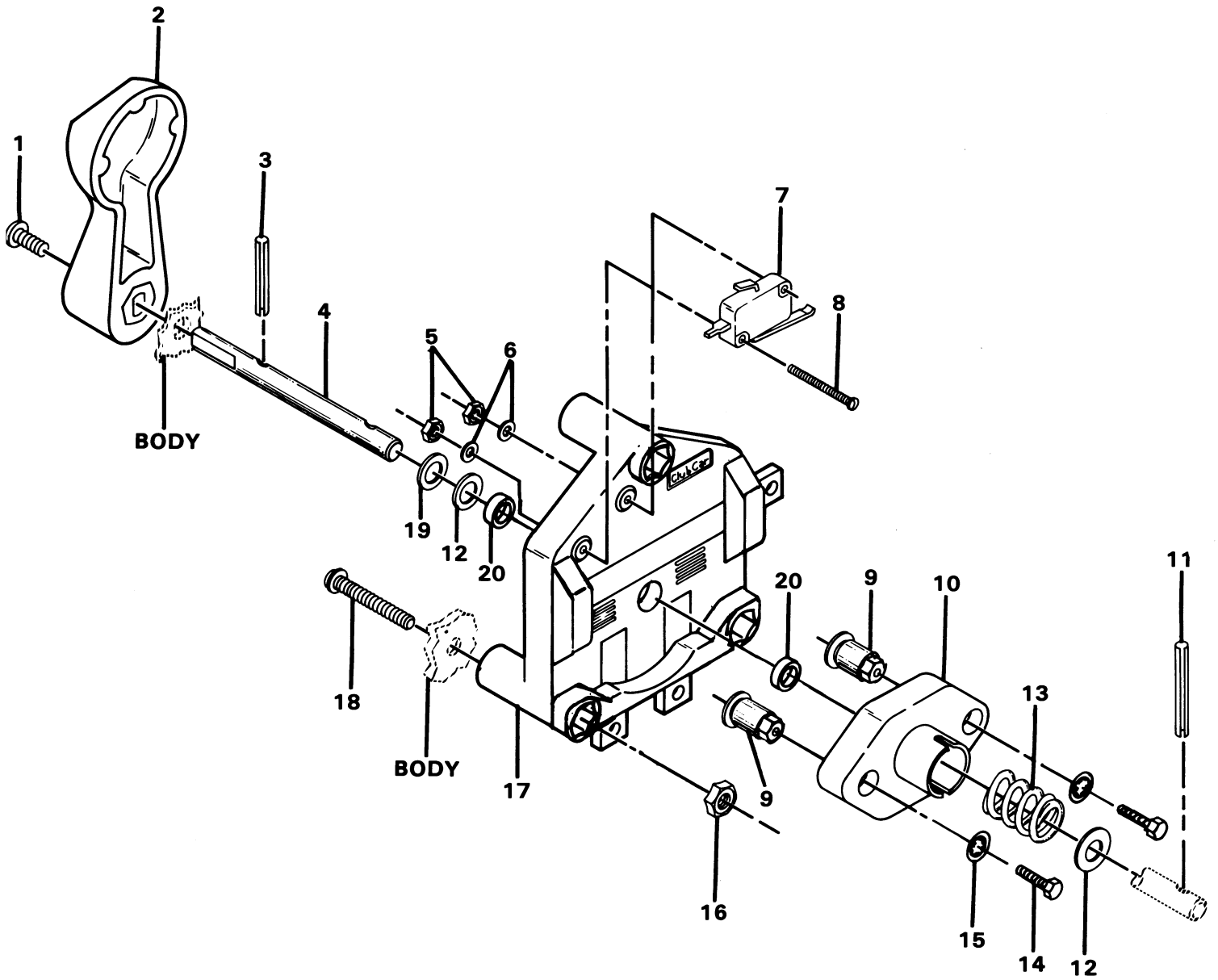
RESISTOR AND BOARD ASSEMBLY — V-GLIDE

RESISTOR AND BOARD ASSEMBLY — V-GLIDE

ITEM NUMBER	PART NUMBER	1 2 3 4 DESCRIPTION	UNITS PER VEHICLE
1	1028	1/4"-20 UNC HEX NUT	12
2	451	1/4" SPLIT LOCKWASHER	12
3	1014306	1/4" WIDE FLATWASHER	6
4	1014045	RESISTOR COIL STANDOFF	6
5	1014728	RESISTOR MOUNTING BOARD	1
6	332	1/4" FLATWASHER	6
7	1014655	RESISTOR COIL	1
8	1014654	RESISTOR COIL	1
9	1014013	RESISTOR COIL	1
10	1014014	RESISTOR COIL	1
11	1014729	RESISTOR COIL	1
12	1012285	1/4-20 UNC X 5/8" THREAD ROLLING SCREW	4
13	1013971	RESISTOR SHIELD	1

E

12



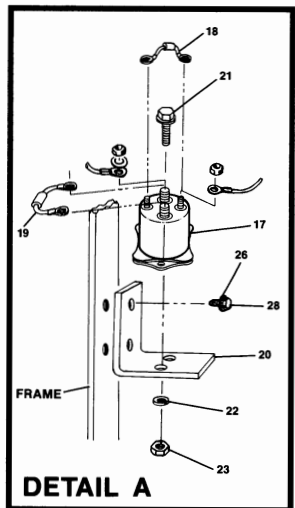
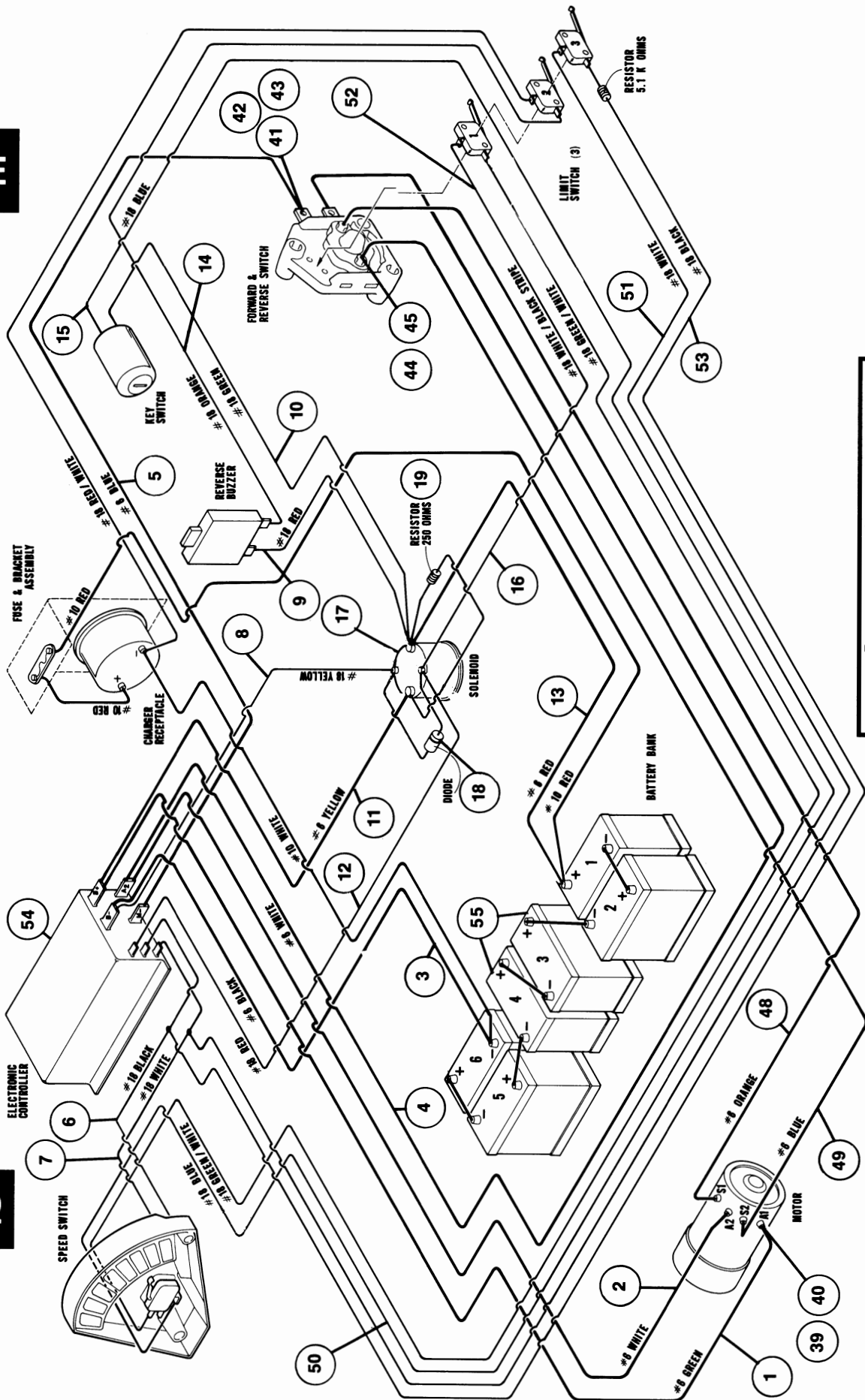
FORWARD AND REVERSE SWITCH ASSEMBLY — V-GLIDE

FORWARD AND REVERSE SWITCH ASSEMBLY — V-GLIDE

ITEM NUMBER	PART NUMBER	1 2 3 4 DESCRIPTION	UNITS PER VEHICLE
	1011997	FORWARD AND REVERSE SWITCH ASSEMBLY COMPLETE EXCLUDING ITEMS 1 AND 2 AND MOUNTING HARDWARE, ITEMS 14, 15, 16 AND 18	
1	1013198	SCREW, PHILLIPS MACHINE, #8-32	1
2	1012987	SWITCH HANDLE, FORWARD AND REVERSE	1
3	1231	ROLL PIN, 1/8 X 1"	1
4	1012988	SHAFT, FORWARD AND REVERSE SWITCH	1
5	8057	NUT, HEX, #4-40 UNC	2
6	8058	LOCKWASHER, #4	2
7	1014808	LIMIT SWITCH, FORWARD AND REVERSE	1
8	1011991	SCREW, SLOTTED ROUND HEAD, #4-40 X 1-1/8"	2
9	8793	ROTOR CONTACT	2
10	1016130	SWITCH ROTOR, FORWARD AND REVERSE	1
11	1011993	ROLL PIN, 3/16" X 1-3/8"	1
12	1011990	FLATWASHER, 3/8"	2
13	7627	SHAFT SPRING, FORWARD AND REVERSE	1
14	8450	SCREW, HEX HEAD MACHINE, #10-24	2
15	8049	LOCKWASHER, INTERNAL TOOTH #10	2
16	8233	LOCKNUT, NYLON, 1/4-20	3
17	1014273	SWITCH CASE, FORWARD AND REVERSE	1
18	1011988	SCREW, TRUSS HEAD PHILLIPS, 1/4-20 X 2"	3
19	1014065	WASHER, PLASTIC, 3/8"	1
20	1014145	BEARING	2

E

12



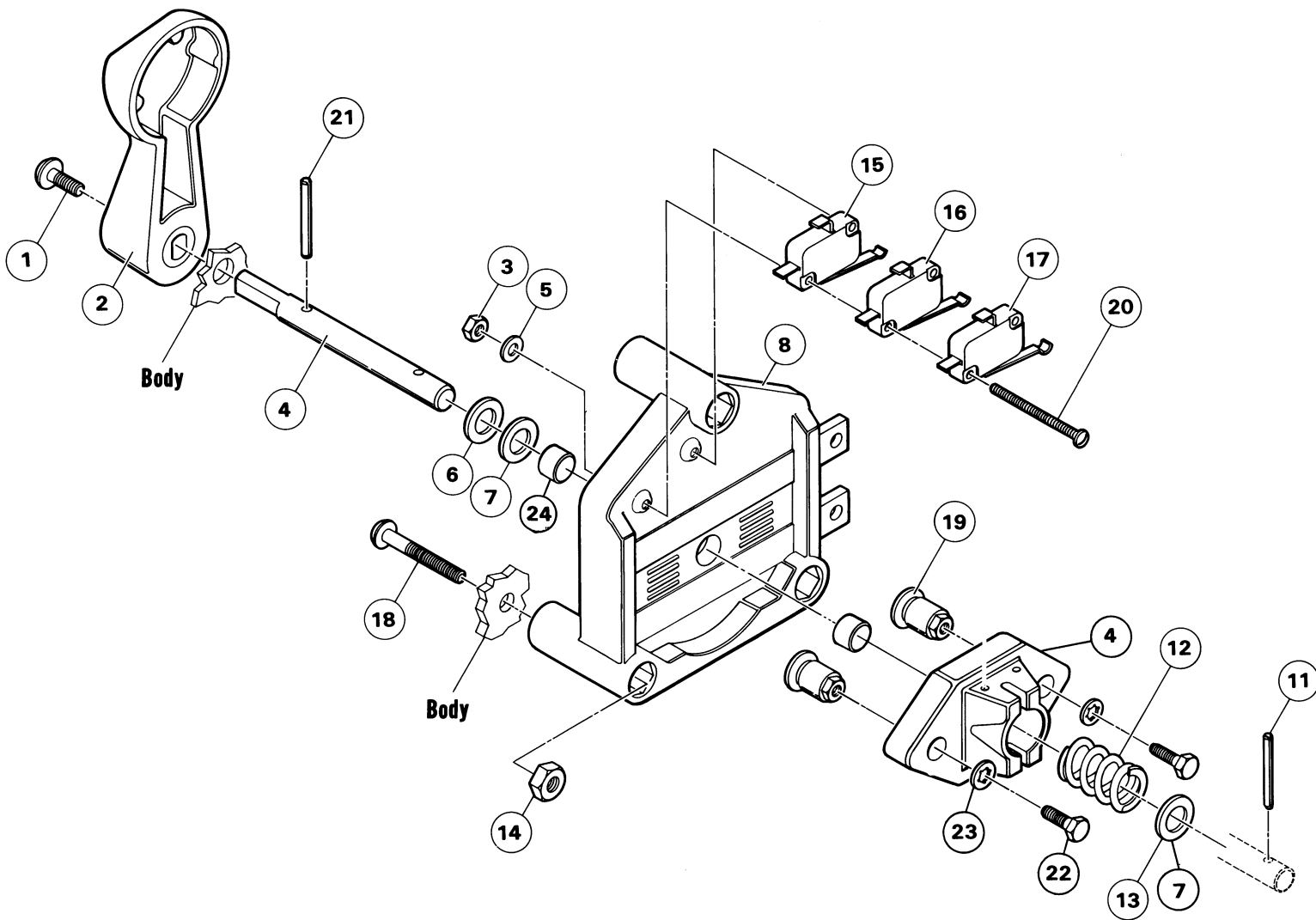
POWER WIRING — SOLID STATE CONTROLLER

POWER WIRING — SOLID STATE CONTROLLER

ITEM NUMBER	PART NUMBER	1 2 3 4				DESCRIPTION	UNITS PER VEHICLE
	1015879					CONTROLLER WIRING ASSEMBLY	1
1	1015860					WIRE ASSEMBLY #6 GREEN	1
2	1015861					WIRE ASSEMBLY #6 WHITE	1
3	1016137					WIRE ASSEMBLY #6 BLACK	1
4	1015856					WIRE ASSEMBLY #6 WHITE	1
5	1015857					WIRE ASSEMBLY #6 BLUE	1
6	1015863					WIRE ASSEMBLY #18 BLACK	1
7	1015864					WIRE ASSEMBLY #18 WHITE	1
8	1015866					WIRE ASSEMBLY #18 YELLOW	1
9	1016135					WIRE ASSEMBLY #18 RED	1
10	1016121					WIRE ASSEMBLY #18 GREEN	1
11	1015858					WIRE ASSEMBLY #6 YELLOW	1
12	1015865					WIRE ASSEMBLY #18 RED	1
13	1015859					WIRE ASSEMBLY #18 RED	1
14	1016134					WIRE ASSEMBLY #18 ORANGE	1
15	1016133					WIRE ASSEMBLY #18 BLUE	1
16	1016122					WIRE ASSEMBLY #18 BLACK/WHITE	1
17	8016					SOLENOID	1
18	1014948					DIODE ASSEMBLY	1
19	1014947					RESISTOR ASSEMBLY	1
20	1015838					SOLENOID MOUNTING BRACKET	1
21	7847					1/4-20 X 3/4 HEX HEAD SCREW (ATTACHES SOLENOID TO SOLENOID MOUNTING BRACKET)	2
22	451					1/4 HELICAL SPRING LOCKWASHER (ATTACHES SOLENOID TO SOLENOID MOUNTING BRACKET)	2
23	1028					1/4-20 HEX NUT (ATTACHES SOLENOID TO SOLENOID MOUNTING BRACKET)	2
24	1015837					MOUNTING PLATE — CONTROLLER	1
25	1014943					1/4-20 X 1-1/4 ROUND HEAD SQUARE NECK BOLT (ATTACHES CONTROLLER MOUNTING PLATE TO FRAME)	2
26	451					1/4 HELICAL SPRING LOCKWASHER (ATTACHES CONTROLLER MOUNTING PLATE TO FRAME)	2
27	1028					1/4-20 HEX NUT (ATTACHES CONTROLLER MOUNTING PLATE TO FRAME)	2
28	1012285					1/4-20 X 5/8" HEX WASHER HEAD SCREW (ATTACHES SOLENOID ASSEMBLY TO FRAME)	2
29	451					1/4 HELICAL SPRING LOCKWASHER (ATTACHES SOLENOID ASSEMBLY TO FRAME)	2
34	1014943					1/4-20 X 1.25 ROUND HEAD SQUARE NECK BOLT (ATTACHES CONTROLLER TO FRAME)	4
35	451					1/4 HELICAL SPRING LOCKWASHER (ATTACHES CONTROLLER TO FRAME)	4
36	1028					1/4-20 HEX NUT (ATTACHES CONTROLLER TO FRAME)	4
37	332					1/4 FLATWASHER (ATTACHES CONTROLLER TO FRAME)	4
38	1016631					PUSH NUT .187	4
39	7174					5/16 HELICAL SPRING LOCKWASHER (ATTACHES WIRES TO MOTOR)	4
40	1242					5/16-18 HEX NUT (ATTACHES WIRES TO MOTOR)	4
41	403					1/4-20 X 5/8" HEX HEAD BOLT (ATTACHES WIRES TO FORWARD & REVERSE CONTACT BARS)	2
42	451					1/4 LOCKWASHER (ATTACHES WIRES TO FORWARD & REVERSE CONTACT BARS)	2
43	1028					1/4-20 HEX NUT (ATTACHES WIRES TO FORWARD & REVERSE CONTACT BARS)	2
44	8450					#10-24 X 1/2" HEX HEAD SCREW (ATTACHES WIRES TO FORWARD & REVERSE ROTOR)	2
45	8049					#10 LOCKWASHER (ATTACHES WIRES TO FORWARD & REVERSE ROTOR)	2
46	1606					3/16 POP RIVET	3
47	1012022					CABLE CLAMP	3
48	1014854					WIRE ASSEMBLY #6 ORANGE	1
49	1014855					WIRE ASSEMBLY #6 BLUE	1
50	1016142					WIRE ASSEMBLY #18 BLUE	1
51	1016019					WIRE ASSEMBLY #18 WHITE	1
52	1014839					WIRE ASSEMBLY #18 GREEN/WHITE	1
53	1016018					WIRE ASSEMBLY #18 BLACK	1
54	1014749					ELECTRONIC CONTROLLER	1
55	1013697					CLUB CAR 6 VOLT BATTERY	6
56	1010908					BATTERY HOLD DOWN (NOT SHOWN)	3
57	1013683					"J" BOLT (NOT SHOWN)	6
58	1014305					HEX NUT, 5/16-18 UNC STAINLESS STEEL (NOT SHOWN)	18
59	1011578					FLATWASHER, TYPE B, 5/16" (NOT SHOWN)	6

E

12



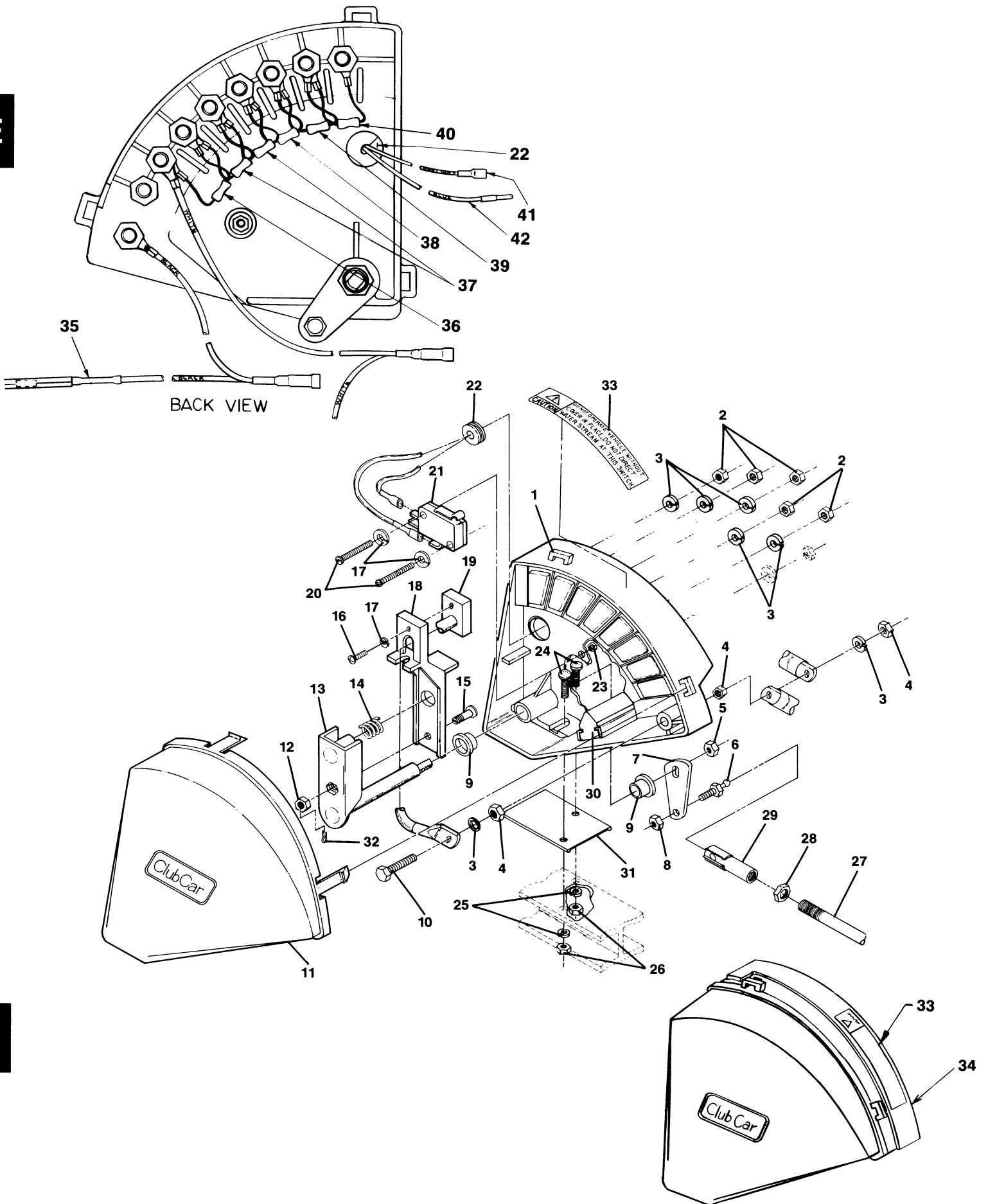
F&R SWITCH — SOLID STATE CONTROLLER

F&R SWITCH — SOLID STATE CONTROLLER

ITEM NUMBER	PART NUMBER	1 2 3 4	DESCRIPTION	UNITS PER VEHICLE
	1016012		F&R SWITCH ASSEMBLY	
1	1013198		SCREW, TRUSS HEAD	1
2	1012987		SWITCH HANDLE	1
3	8057		#4-40 UNC HEX NUT	2
4	1012988		F&R SWITCH SHAFT	1
4	1016130		F&R SWITCH ROTOR	1
5	8058		#4 LOCKWASHER	2
6	1014065		FLATWASHER (DELRIN)	1
7	1011990		3/8" FLATWASHER	2
8	1015830		F&R SWITCH CASE	1
9	1014145		BEARING	2
11	1011993		ROLL PIN 3/16" X 1.38	1
12	7627		F&R SHAFT SPRING	1
15	1014808		LIMIT SWITCH	3
16	1014808		LIMIT SWITCH	3
17	1014808		LIMIT SWITCH	3
18	1011988		SCREW, TRUSS HEAD PHILLIPS	3
19	8793		ROTOR CONTACT	2
20	1014871		#4-40 X 2.00 HEX WASHER HEAD SCREW	2
21	1231		ROLL PIN 1/8" X 1.00	1
22	8450		SCREW, HEX HEAD #10-34	2
23	8049		LOCKWASHER, #10 INTERNAL TOOTH	2
24	1014145		BEARING	2

E

12



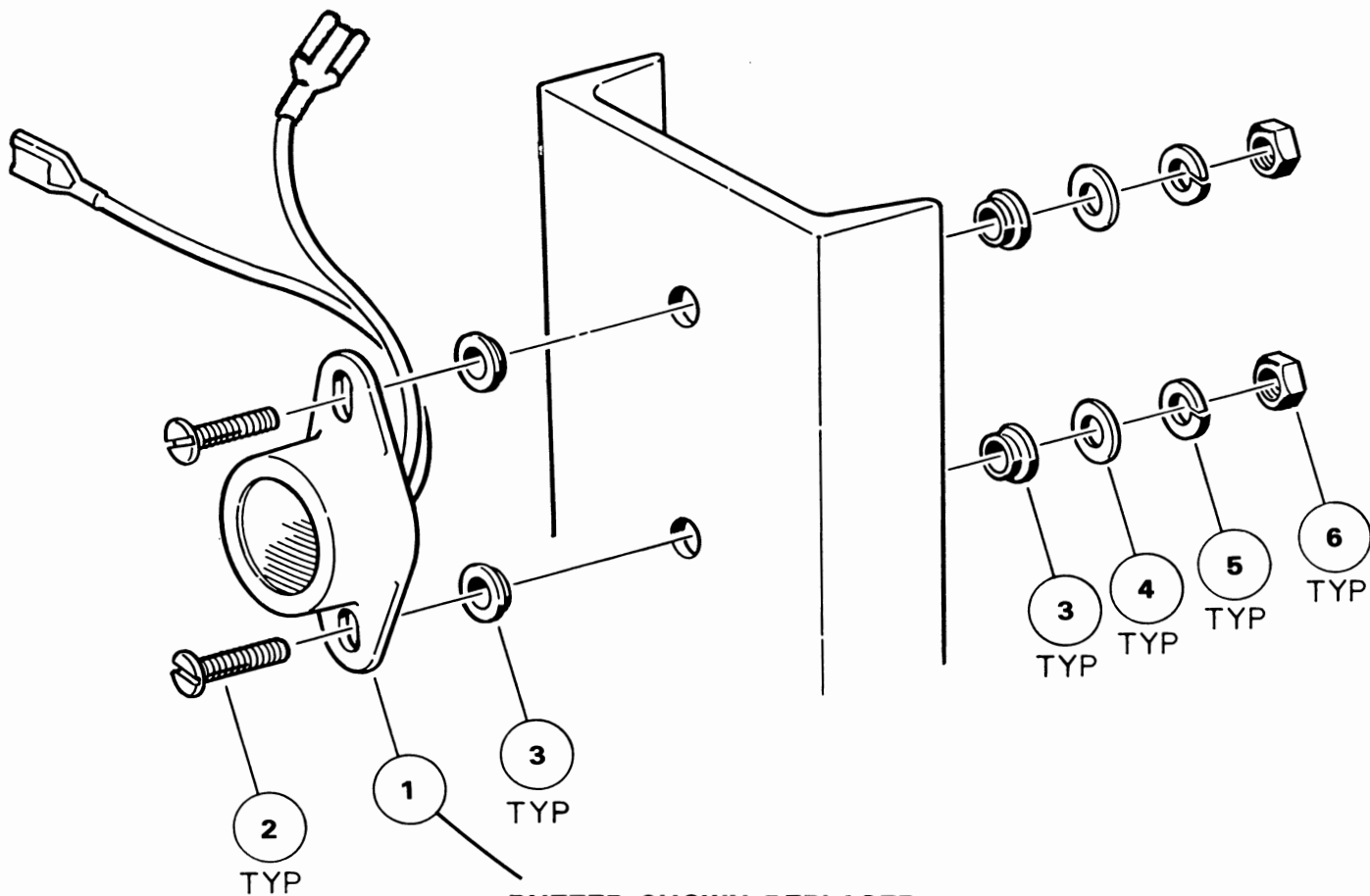
V-GLIDE WIPER SWITCH — SOLID STATE CONTROLLER

V-GLIDE WIPER SWITCH — SOLID STATE CONTROLLER

ITEM NUMBER	PART NUMBER	1 2 3 4	DESCRIPTION	UNITS PER VEHICLE
			V-GLIDE WIPER SWITCH — SOLID STATE CONTROLLER	
1	1014917		SPEED CONTROLLER CASE	1
2	1014		1/4"-20 UNC HEX NUT, BRASS	5
3	451		1/4" SPLIT LOCKWASHER	7
4	1014253		1/4"-20 BRASS JAM NUT	3
5	7473		5/16"-18 UNC NYLON LOCKNUT	1
6	1012353		1/4" X 1/4"-28, SHORT BALL STUD	1
7	1014003		SPEED CONTROLLER BELL CRANK	1
8	8449		1/4"-28 DIMPLED LOCKNUT	1
9	1012903		3/8" X 1/2" FLANGE BEARING	2
10	1014189		1/4"-20 X 2.00 HEX CAP SCREW, BRONZE	1
11	1013886		SPEED CONTROLLER COVER	1
12	7893		#10-32 UNF HEX NUT	1
13	1014017		SPEED CONTROLLER SHAFT AND CARRIER	1
14	1013998		SPEED CONTROLLER BRUSH SPRING	1
15	1014000		SPEED CONTROLLER ADJUSTING STUD	1
16	1014019		#4-40 UNC TYPE "F" SCREW	1
17	8058		#4 SPLIT LOCKWASHER	3
18	1013887		SPEED CONTROLLER ARM	1
19	1013860		SPEED CONTROLLER BRUSH	1
20	8056		#4-40 UNC X 3/4" ROUND HEAD SCREW	2
21	1014807		LIMIT SWITCH	1
22	1014010		SPLIT GROMMET	1
23	8057		#4-40 UNC HEX NUT	2
24	1014109		#10-24 X 3/4" ROUND HEAD BOLT	2
25	1016175		#10 SPLIT LOCKWASHER	2
26	1017		#10 HEX NUT	2
27	1014016		ACCELERATOR ROD	1
28	1011084		1/4-28 JAM NUT	2
29	1011734		BALL JOINT	2
30	1014414		BUMPER, SPEED CONTROLLER	1
31	1014367		SHIM, SPEED CONTROLLER	1
32	1014413		HAIR SPRING COTTER PIN	1
33	1016109		SPEED CONTROLLER DECAL	1
34	1016061		WIPER SWITCH RESISTOR PROTECTOR	1
35	1016018		WIRE ASSEMBLY #18 BLACK	1
36	1016017		RESISTOR ASSEMBLY 910Ω	1
37	1016016		RESISTOR ASSEMBLY 620Ω	1
38	1016015		RESISTOR ASSEMBLY 750Ω	1
39	1016014		RESISTOR ASSEMBLY 820Ω	1
40	1016013		RESISTOR ASSEMBLY 1100Ω	1
41	1014839		#18 GREEN/WHITE WIRE ASSEMBLY	1
42	1016142		#18 BLUE WIRE ASSEMBLY	1
44	1016092		#8-32 X .44 PAN HEAD SCREW (NOT SHOWN) (ATTACHES RESISTOR PROTECTOR #34 TO WIPER SWITCH CASE)	2
45	1013529		#8 PLAIN WASHER (NOT SHOWN) (ATTACHES RESISTOR PROTECTOR #34 TO WIPER SWITCH CASE)	4
46	1011571		#8-32 HEX NUT (NOT SHOWN) (ATTACHES RESISTOR PROTECTOR #34 TO WIPER SWITCH CASE)	2
47	1016090		#8-32 HEX MALE/FEMALE STANDOFF (NOT SHOWN) (ATTACHES RESISTOR PROTECTOR #34 TO WIPER SWITCH CASE)	2
48	1012076		#8 EXTERNAL TOOTH LOCKWASHER (NOT SHOWN) (ATTACHES RESISTOR PROTECTOR #34 TO WIPER SWITCH CASE)	4

E

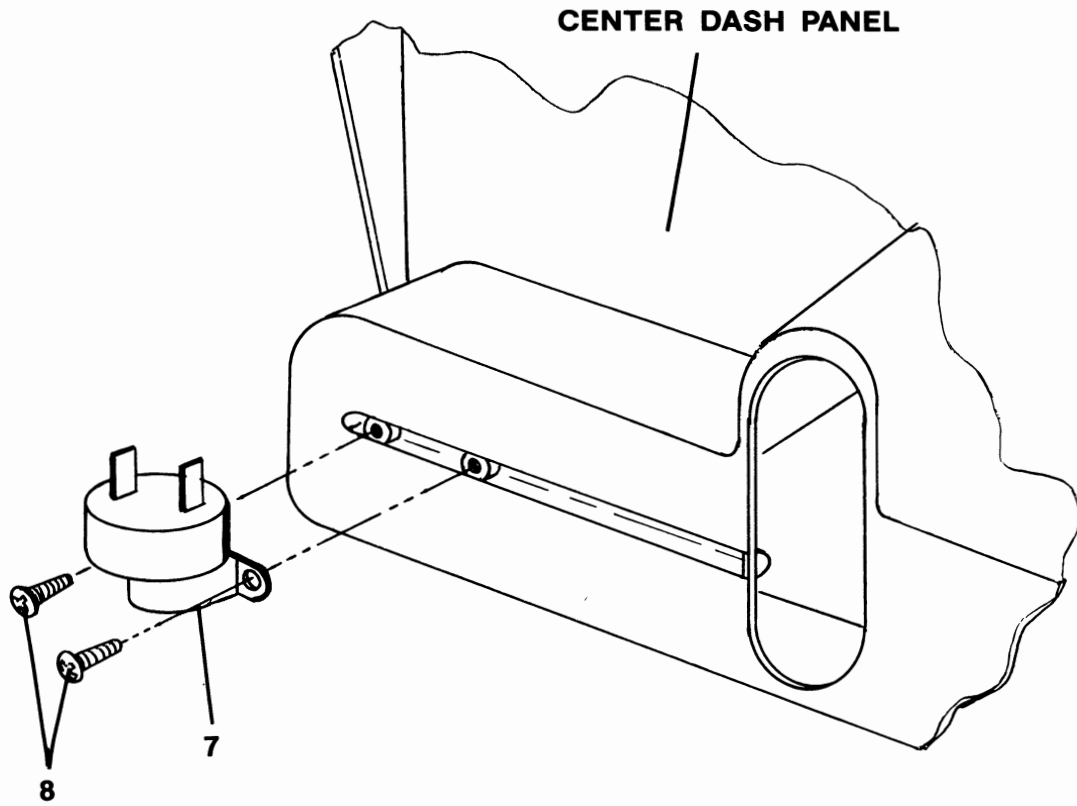
12



**BUZZER SHOWN REPLACED
BY ITEM #7 (1016851)**

REVERSE BUZZER — FRAME MOUNTED

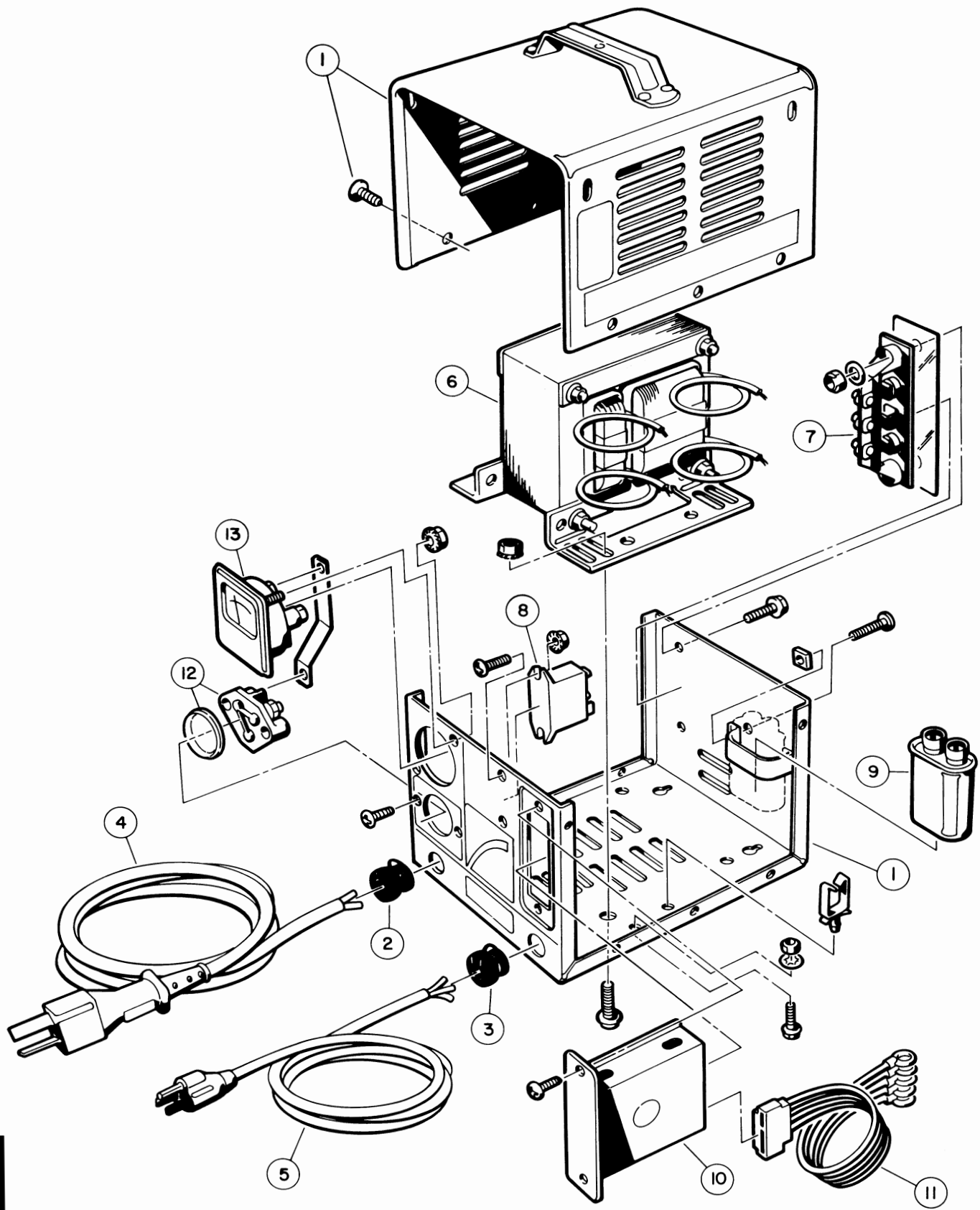
ITEM NUMBER	PART NUMBER	1 2 3 4	DESCRIPTION	UNITS PER VEHICLE
1	1016859		BUZZER KIT INCLUDES ITEMS 2 THRU 8	1
2	8056		SCREW, ROUND HEAD #4-40 X 3/4	2
3	1015718		NYLON SHOULDER WASHER	4
4	1012431		#4 FLATWASHER	2
5	8058		#4 LOCKWASHER	2
6	8057		#4 HEX NUT	2



REVERSE BUZZER — DASH MOUNTED

ITEM NUMBER	PART NUMBER	DESCRIPTION	UNITS PER VEHICLE
7	1016851	REVERSE BUZZER	1
8	1016849	#4-24 X .330 SCREW, PAN HEAD HI-LO	2

Section 13
BATTERY CHARGER



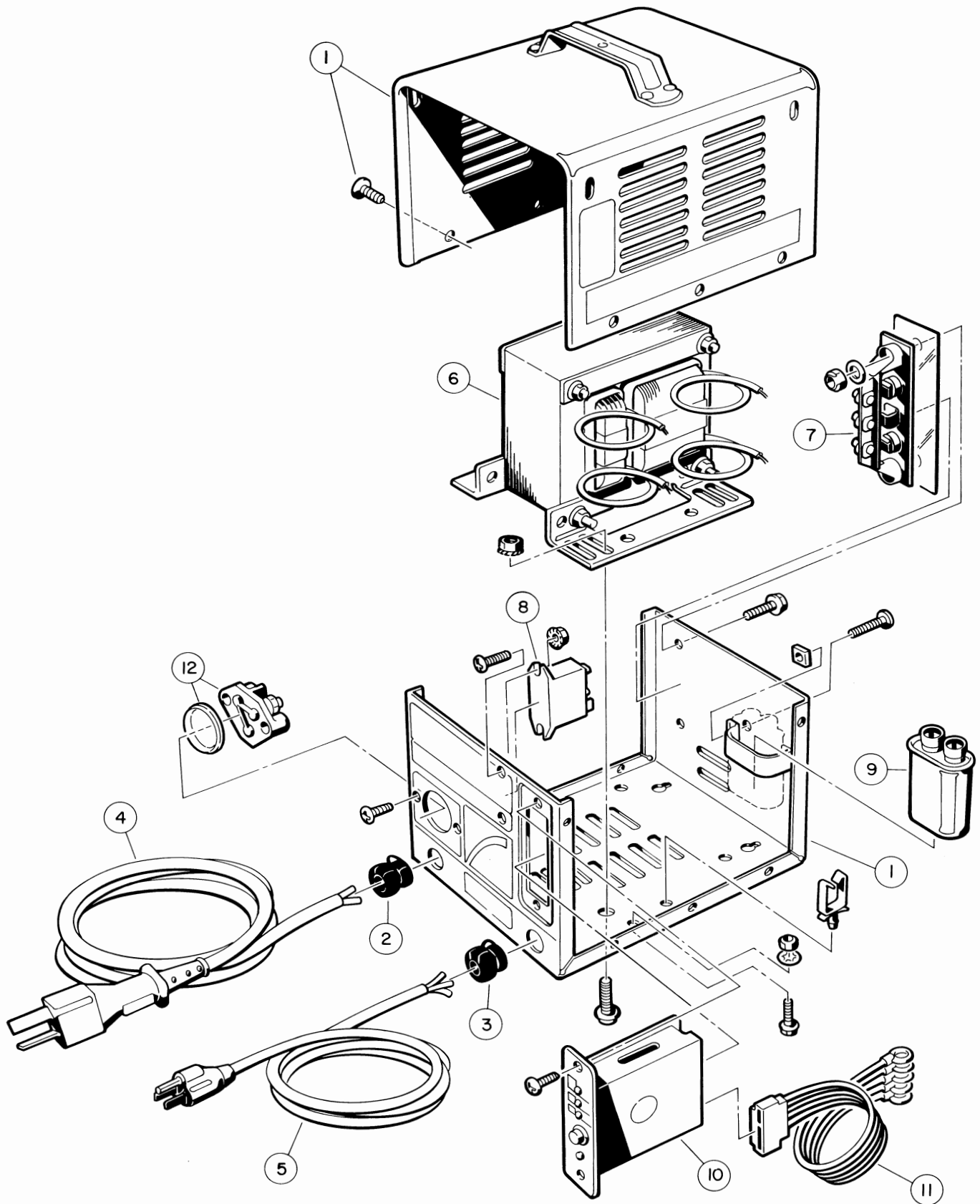
MODEL 13800 ACCU-POWER CHARGER

MODEL 13800 ACCU-POWER CHARGER

ITEM NUMBER	PART NUMBER	DESCRIPTION	UNITS PER VEHICLE
1	1015907	CASE ASSEMBLY INCLUDES FASTENERS	1
2	1012098	STRAIN RELIEF, DC CORD	1
3	1015917	STRAIN RELIEF, AC CORD	1
4	1016433-01	DC CORDSET, 12 AWG X 110 INCHES LONG	1
4	1016433-02	DC CORDSET, 12 AWG X 146 INCHES LONG	1
4	1016433-03	DC CORDSET, 10 AWG X 242 INCHES LONG	1
4	1016433-04	DC CORDSET, 10 AWG X 110 INCHES LONG	1
5	1015916-01	AC CORDSET, 16 AWG X 80 INCHES LONG	1
5	1015916-02	AC CORDSET, 16 AWG X 110 INCHES LONG	1
6	1015912	TRANSFORMER ASSEMBLY	1
7	1015914	HEATSINK ASSEMBLY WITH DIODES	1
8	1015911	36 VDC RELAY	1
9	1015910	CAPACITOR	1
10	1015906	TIMER KIT ASSEMBLY	1
11	1015913	CONTROL CABLE ASSEMBLY	1
12	1012101	FUSE ASSEMBLY	1
13	1015905	AMMETER	1
	1016464-01	ACCU-POWER CHARGER ASSEMBLY INCLUDES ITEMS 1 THRU 3, 6 THRU 13, 1 EACH OF ITEMS 4 AND 5	

E

13



MODEL 14000 ULTRA-POWER CHARGER

MODEL 14000 ULTRA-POWER CHARGER

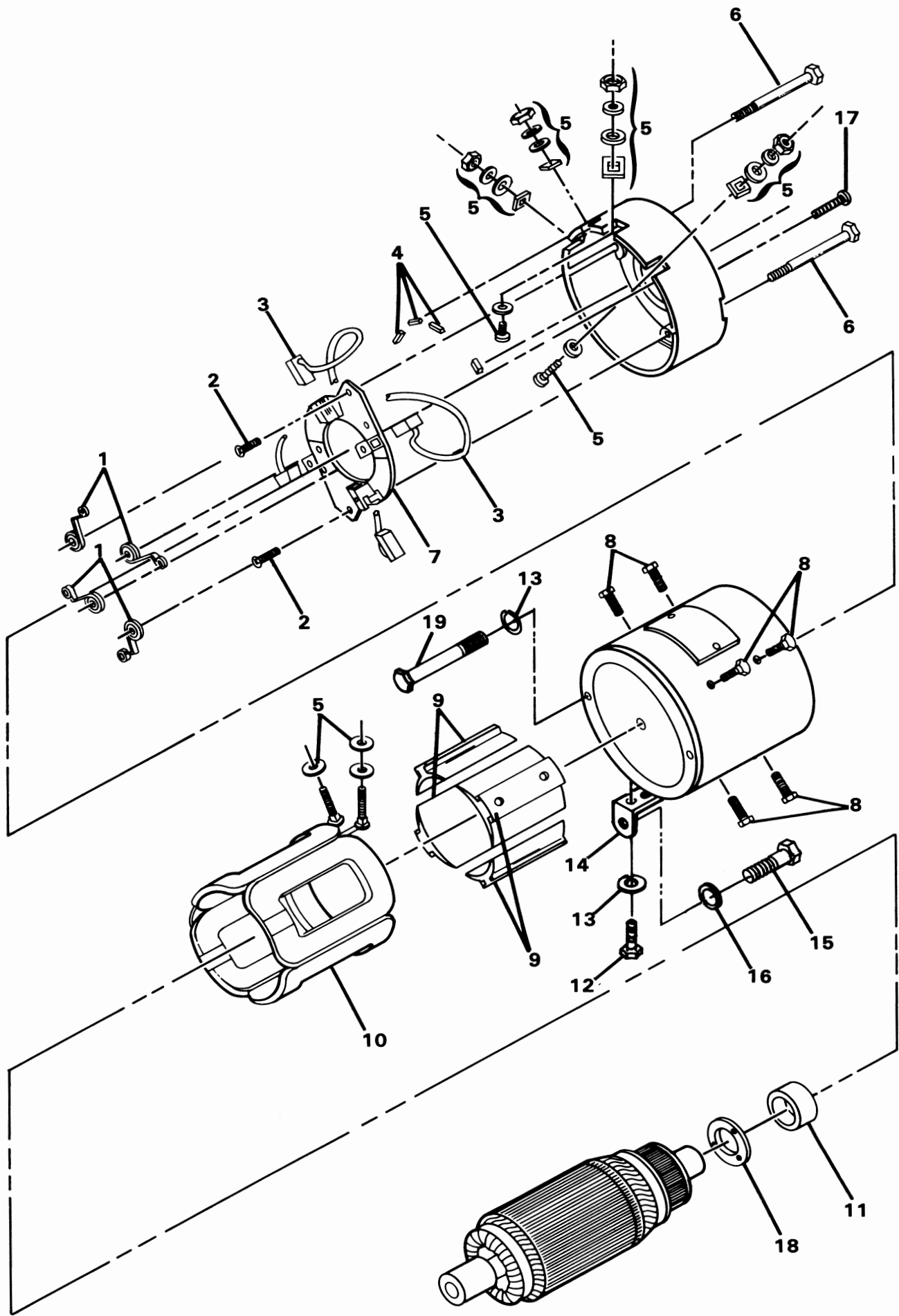
ITEM NUMBER	PART NUMBER	DESCRIPTION	UNITS PER VEHICLE
1	1015909	CASE ASSEMBLY INCLUDES FASTENERS	1
2	1012098	STRAIN RELIEF, DC CORD	1
3	1015917	STRAIN RELIEF, AC CORD	1
4	1016433-01	DC CORDSET, 12 AWG X 110 INCHES LONG	1
4	1016433-02	DC CORDSET, 12 AWG X 146 INCHES LONG	1
4	1016433-03	DC CORDSET, 10 AWG X 242 INCHES LONG	1
4	1016433-04	DC CORDSET, 10 AWG X 110 INCHES LONG	1
5	1015916-01	AC CORDSET, 16 AWG X 80 INCHES LONG	1
5	1015916-02	AC CORDSET, 16 AWG X 110 INCHES LONG	1
6	1015912	TRANSFORMER ASSEMBLY	1
7	1015914	HEATSINK ASSEMBLY WITH DIODES	1
8	1015911	36 VDC RELAY	1
9	1015910	CAPACITOR	1
10	1015908	TIMER KIT ASSEMBLY	1
11	1015913	CONTROL CABLE ASSEMBLY	1
12	1012101	FUSE ASSEMBLY	1
	1016463-01	ULTRA-POWER CHARGER ASSEMBLY INCLUDES ITEMS 1 THRU 3, 6 THRU 12, 1 EACH OF ITEMS 4 AND 5	

E

13

Section 14

MOTOR



MOTOR ASSEMBLY FOR CLUB CAR MODELS 1012191 AND 1014678

MOTOR ASSEMBLY FOR CLUB CAR MODELS 1012191 AND 1014678

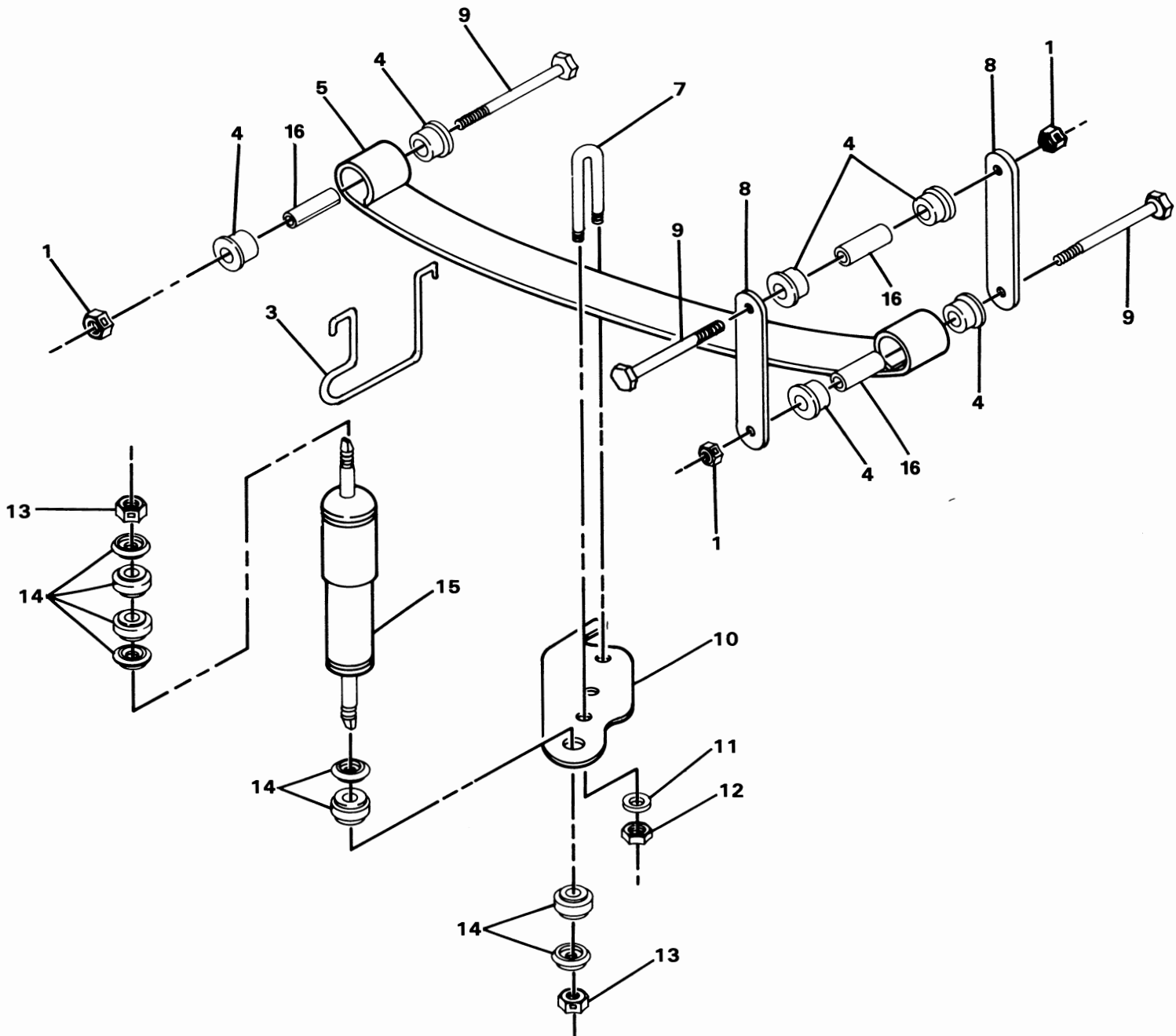
ITEM NUMBER	PART NUMBER	DESCRIPTION				UNITS PER VEHICLE
		1	2	3	4	
	1012191	MOTOR ASSEMBLY COMPLETE				1
1	1011411	BRUSH SPRING PACKAGE (4 PIECES)				1
2	1011283	SCREW, BRUSH RIGGING				2
3	1011410	BRUSH PACKAGE (4 PIECES)				1
4	1011409	RUBBER GASKET PACKAGE (4 PIECES)				2
5	1011407	HARDWARE KIT				4
6	1011275	MOTOR CLAMP SCREW (CE)				2
7	1011284	BRUSH RIGGING				1
8	1011412	SCREW, POLE PIECE PACKAGE (8 PIECES)				1
9	1011413	FIELD POLE PIECE PACKAGE (4 PIECES)				1
10	1011288	FIELD COILS, MODEL 1012191				1
10	1011289	FIELD COILS, MODEL 1014678				1
11	1011290	BALL BEARING, DOUBLE SHIELD				1
12	7847	BOLT, HEX HEAD, 1/4-20 X 3/4"				2
13	451	LOCKWASHER, 1/4"				5
14	1012177	MOTOR/AXLE CLIP				1
15	1010934	BOLT, HEX HEAD, 5/16-18 X 1"				1
16	7174	LOCKWASHER, 5/16"				1
17	1013893	SCREW, PAN HEAD, #8-32				3
18	1013894	RETAINER-BEARING				1
19	1014201	BOLT, HEX, 1/4-20 X 2-1/4"				3

E

14

Section 15

REAR SUSPENSION



REAR SUSPENSION ASSEMBLY

REAR SUSPENSION ASSEMBLY

ITEM NUMBER	PART NUMBER	1 2 3 4	DESCRIPTION	UNITS PER VEHICLE
1	1010138		DIMPLED LOCKNUT, 3/8-16 UNC	6
3	1013207		BRAKE CABLE SUPPORT	2
4	1015583		URETHANE BUSHING	12
5	1010974		REAR SPRING	2
7	1012180		"U" BOLT	2
8	7569		REAR SPRING SHACKLE	4
9	8755		BOLT, HEX, 3/8-16 UNC X 3-3/8"	6
10	1012181		SHOCK MOUNT, RIGHT HAND	1
10	1012182		SHOCK MOUNT, LEFT HAND	1
11	720		LOCKWASHER, 7/16"	4
12	8938		NUT, HEX, 7/16-14 UNC	4
13	1010145		NUT, HEX, 3/8-24 UNC	4
14	1011415		SHOCK ABSORBER CUSHION KIT	4
15	1014236		SHOCK	1
16	1012303		STEEL BUSHING	6
17	1013164		SHOCK ABSORBER KIT INCLUDES ITEMS 14 AND 15	1

E

15



Club Car, Inc.
P.O. Box 204658
Augusta, GA 30917-4658
USA

Web www.clubcar.com
Phone 1.706.863.3000
1.800.ClubCar
Int'l +1 706.863.3000
Fax 1.706.863.5808