

**1984-1985
DS Golf Car
Illustrated Parts List**



Electric Vehicles

Manual Number 1013165
Edition Code 0991F1008C

CONTENTS

VISUAL INDEX	iii
BODY AND TRIM GROUP	SECTION I
Figure 1-1. Final Assembly, Electric Car. Sheet 1 of 2	1-2
Listing	1-3
Figure 1-1. Final Assembly, Electric Car. Sheet 2 of 2	1-4
Listing	1-5
Figure 1-2. Body Assembly	1-6
Listing	1-6
Figure 1-3. Seat Bottom and Armrest Assembly	1-7
Listing	1-7
Figure 1-4. Seat Back and Bag Hoop Assembly	1-8
Listing	1-9
SUSPENSION AND STEERING GROUP	SECTION II
Figure 2-1. Steering Column Assembly	2-2
Listing	2-3
Figure 2-2. Rack and Pinion Assembly	2-4
Listing	2-5
Figure 2-3. Front Suspension Assembly	2-6
Listing	2-7
Figure 2-4. Rear Suspension Assembly	2-8
Listing	2-9
POWER TRAIN GROUP	SECTION III
Figure 3-1. Drive Unit	3-2
Listing	3-3
Figure 3-2. Motor Assembly for Club Car Models 1012191 and 1012653	3-4
Listing	3-5
Figure 3-3. Motor Assembly for Club Car Model 1012190	3-6
Listing	3-7
BRAKE SYSTEM AND PEDAL GROUP	SECTION IV
Figure 4-1. Brake Cluster, Right Hand and Left Hand	4-2
Listing	4-3
Figure 4-2. Brake Pedal and Cable Assembly	4-4
Listing	4-5
Figure 4-3. Accelerator Pedal Assembly	4-6
Listing	4-7
ELECTRICAL SYSTEM	SECTION V
Figure 5-1. Wiring Diagram	5-2
Listing	5-3
Figure 5-2. Speed Switch and Accelerator Switch Assembly	5-4
Listing	5-5
Figure 5-3. Solenoid and Resistor Assembly	5-6
Listing	5-7
Figure 5-4. Forward and Reverse Switch Assembly	5-8
Listing	5-9
BATTERY CHARGERS	SECTION VI
Figure 6-1. Lester Battery Charger Model No. 9611	6-2
Listing	6-3
Figure 6-2. Lester Battery Charger Model No. 7850	6-4
Listing	6-5
Figure 6-3. Club Car Solid State Fully Automatic	6-6
Listing	6-7
ACCESSORIES	SECTION VII

USING THE ILLUSTRATED PARTS LIST

⚠ WARNING

- **This manual is to be used only for identification and ordering of service parts. Be sure to read and use the maintenance and service manual before attempting any vehicle repairs.**

Use the Table of Contents to find the sections and pages that contain the parts and assemblies you seek. The Table of Contents lists section numbers, and under them, the individual page titles and numbers to be found in that section. The index can be used to find specific parts and assemblies. The index is divided into numerical and alphabetical listings with the page numbers in italic text.

There is a two-page spread for each individual page title in the Table of Contents. On the left-hand page is an illustration showing the parts in their relative positions; the parts are each tagged with an item number in a balloon. The right-hand page is the parts list page, and gives the page title at the top, then the item numbers (corresponding to the numbers on the illustration), part descriptions, and quantity of parts used.

Note that a part description may be indented. This indentation corresponds to a parts assembly level indicated by the numbers 1, 2, 3, and 4 at the top left corner of the parts description area of the parts list page. A part that is indented to *level 2* is a component of the *level 1* part (assembly) that it is listed under. A *level 3* part is a component of the *level 2* part that it is listed under, and a *level 4* part is a component of the *level 3* part preceding it. In each case, the part quantity given for a level 2, 3, or 4 part *is the quantity used per next higher level assembly of which it is a component*. A part that is not indented is a *level 1* part. This means that the quantity given is the quantity used per the portion of the vehicle illustrated on that particular spread.

HOW TO ORDER PARTS

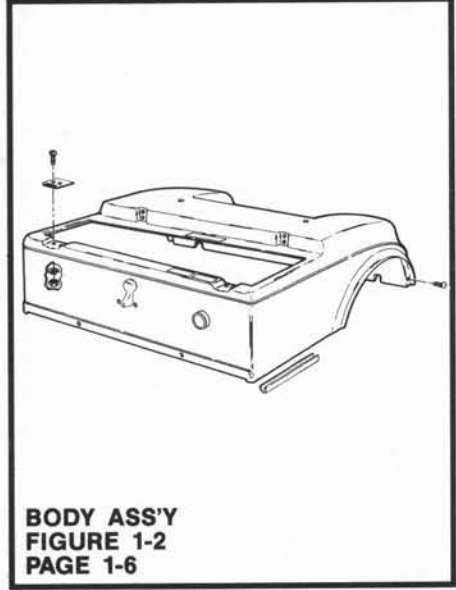
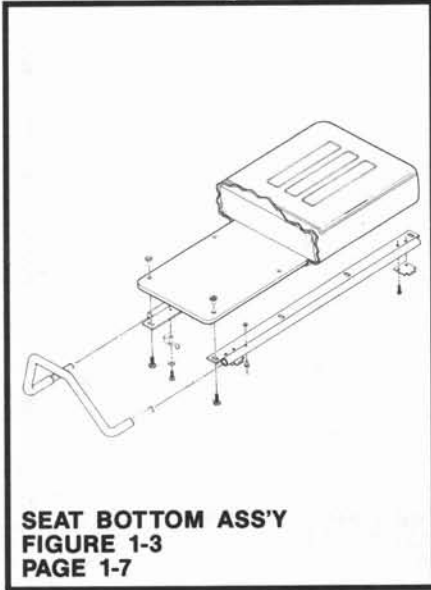
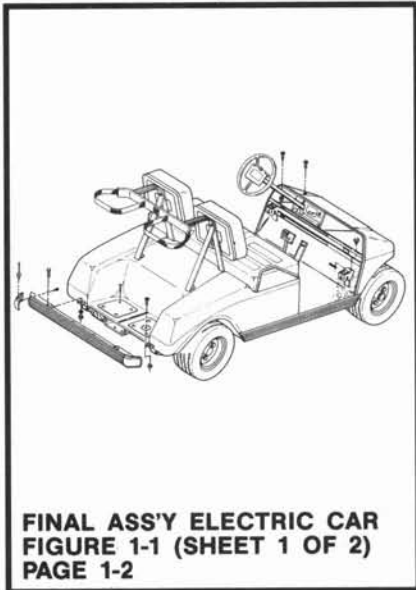
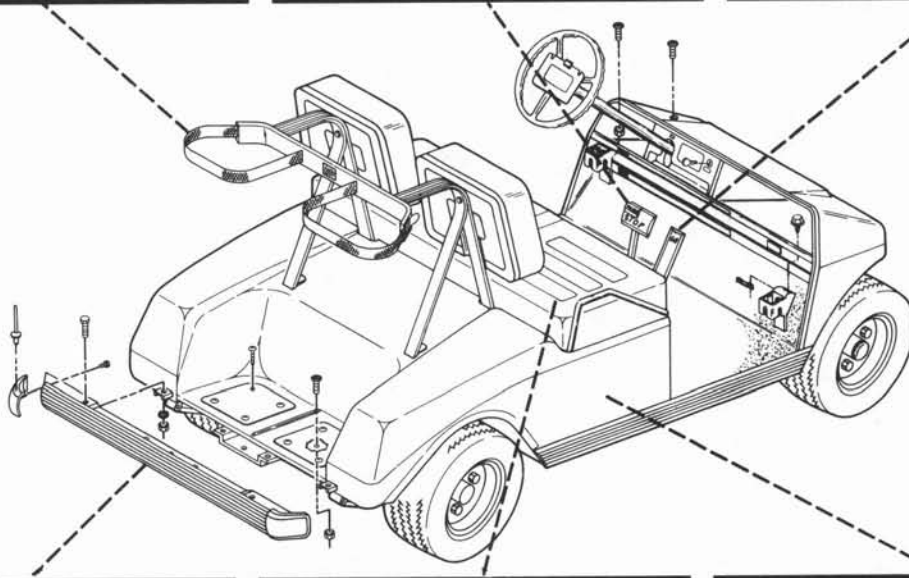
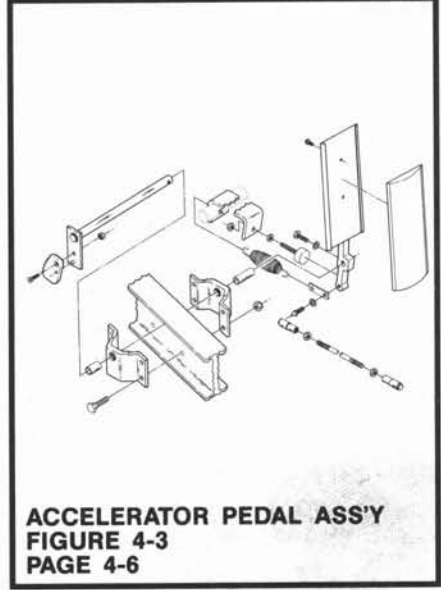
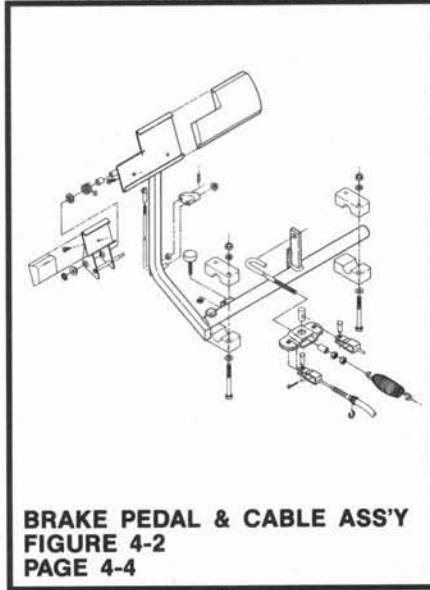
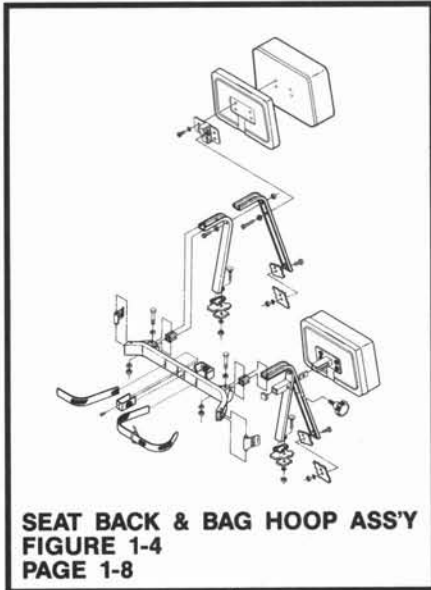
Replacement parts and accessories can be obtained from our network of authorized dealers and distributors. You can obtain the name and phone number of your closest authorized Club Car dealer or distributor by visiting our web site at www.clubcar.com and clicking on the "*Distributor Search*" link or by calling our toll-free Service Parts and Technical Assistance hotline at (800) 872-2246 or (706) 863-3000, extension 3887.

Copyright © 1991, 2008 Club Car, Inc.
Club Car and Carryall are registered
trademarks of Club Car, Inc



P. O. Box 204658
Augusta, Georgia 30917-4658 USA
Telephone 706-863-3000
Service Parts Fax 706-855-7413
www.clubcar.com

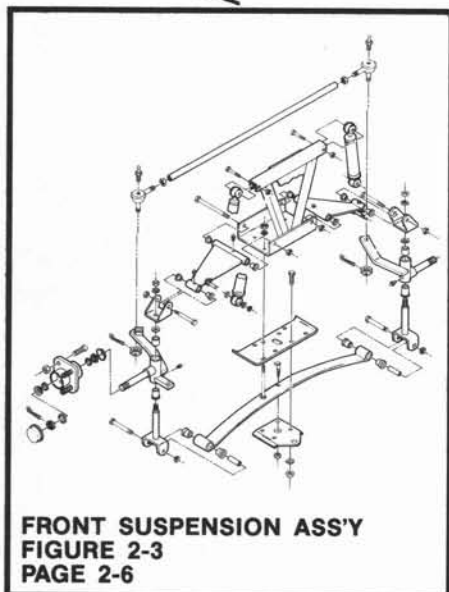
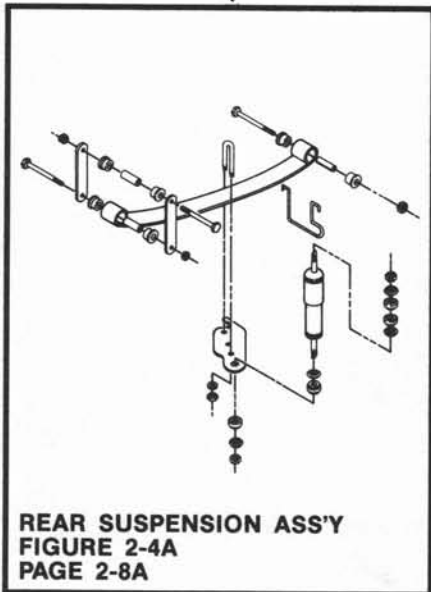
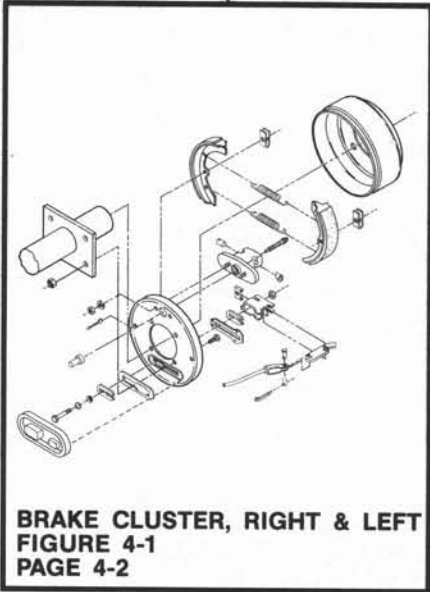
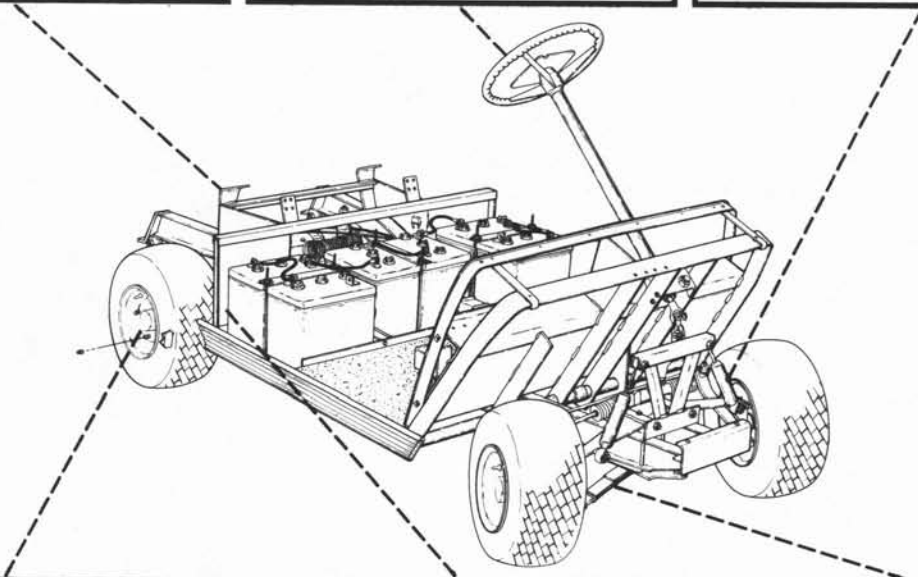
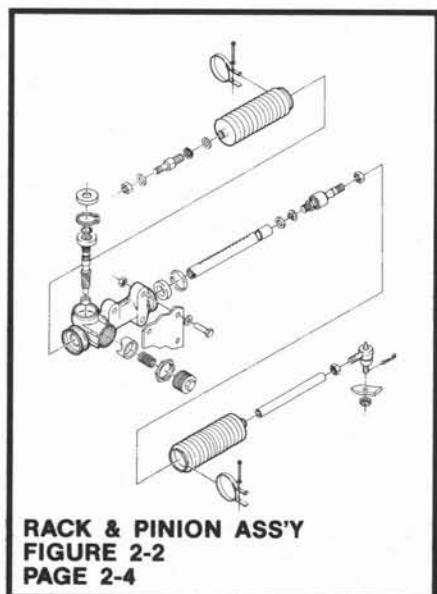
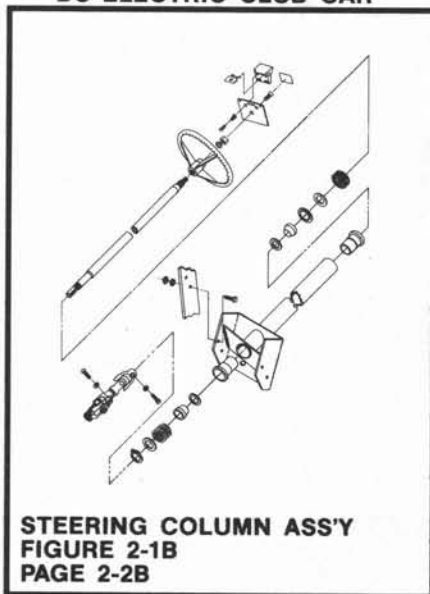
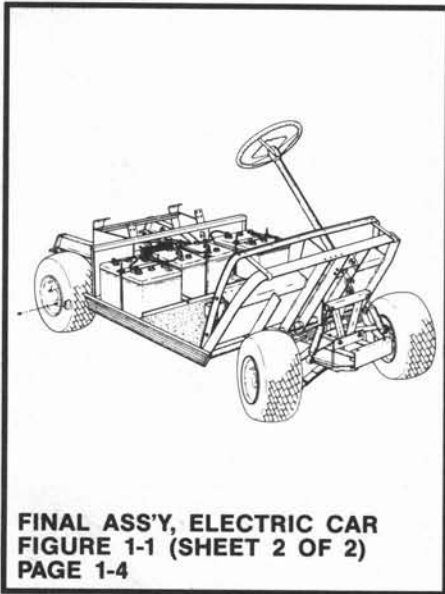
DS ELECTRIC CLUB CAR



VISUAL INDEX I



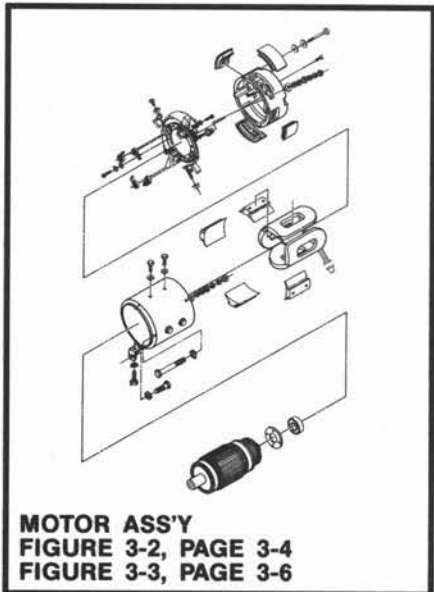
DS ELECTRIC CLUB CAR



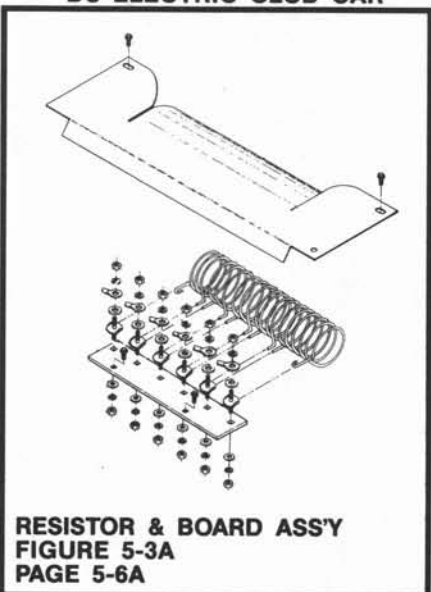
VISUAL INDEX II



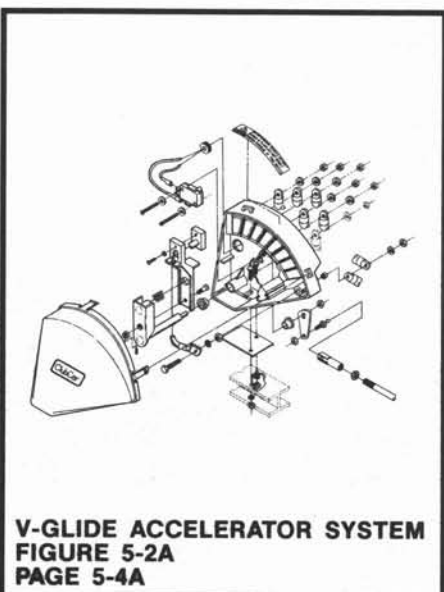
DS ELECTRIC CLUB CAR



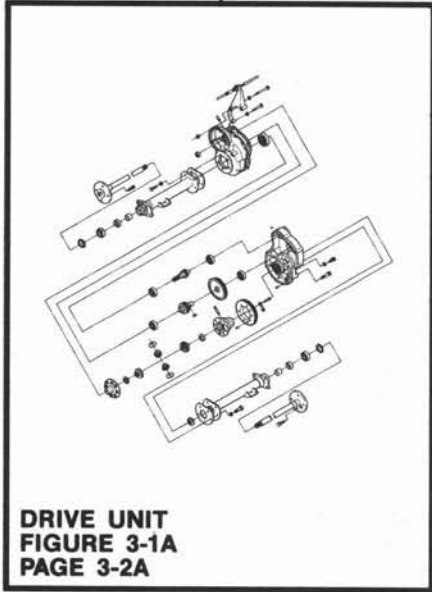
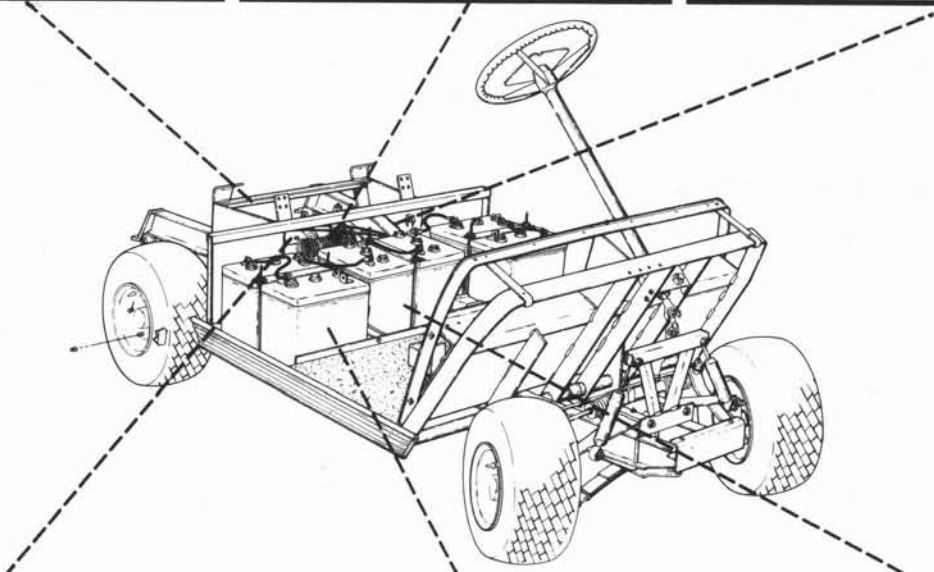
MOTOR ASS'Y
FIGURE 3-2, PAGE 3-4
FIGURE 3-3, PAGE 3-6



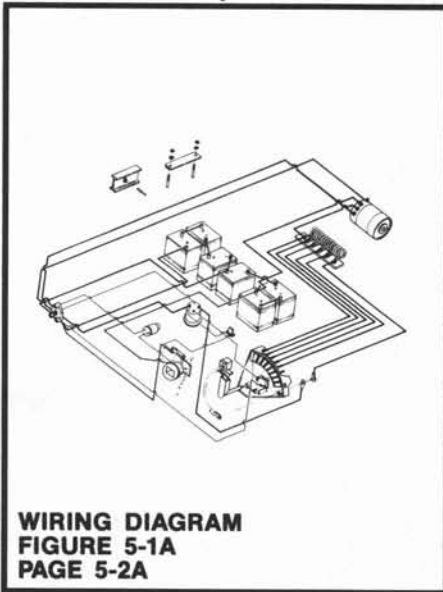
RESISTOR & BOARD ASS'Y
FIGURE 5-3A
PAGE 5-6A



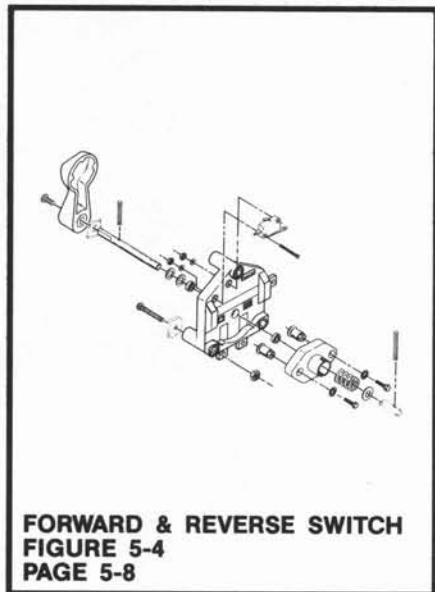
V-GLIDE ACCELERATOR SYSTEM
FIGURE 5-2A
PAGE 5-4A



DRIVE UNIT
FIGURE 3-1A
PAGE 3-2A



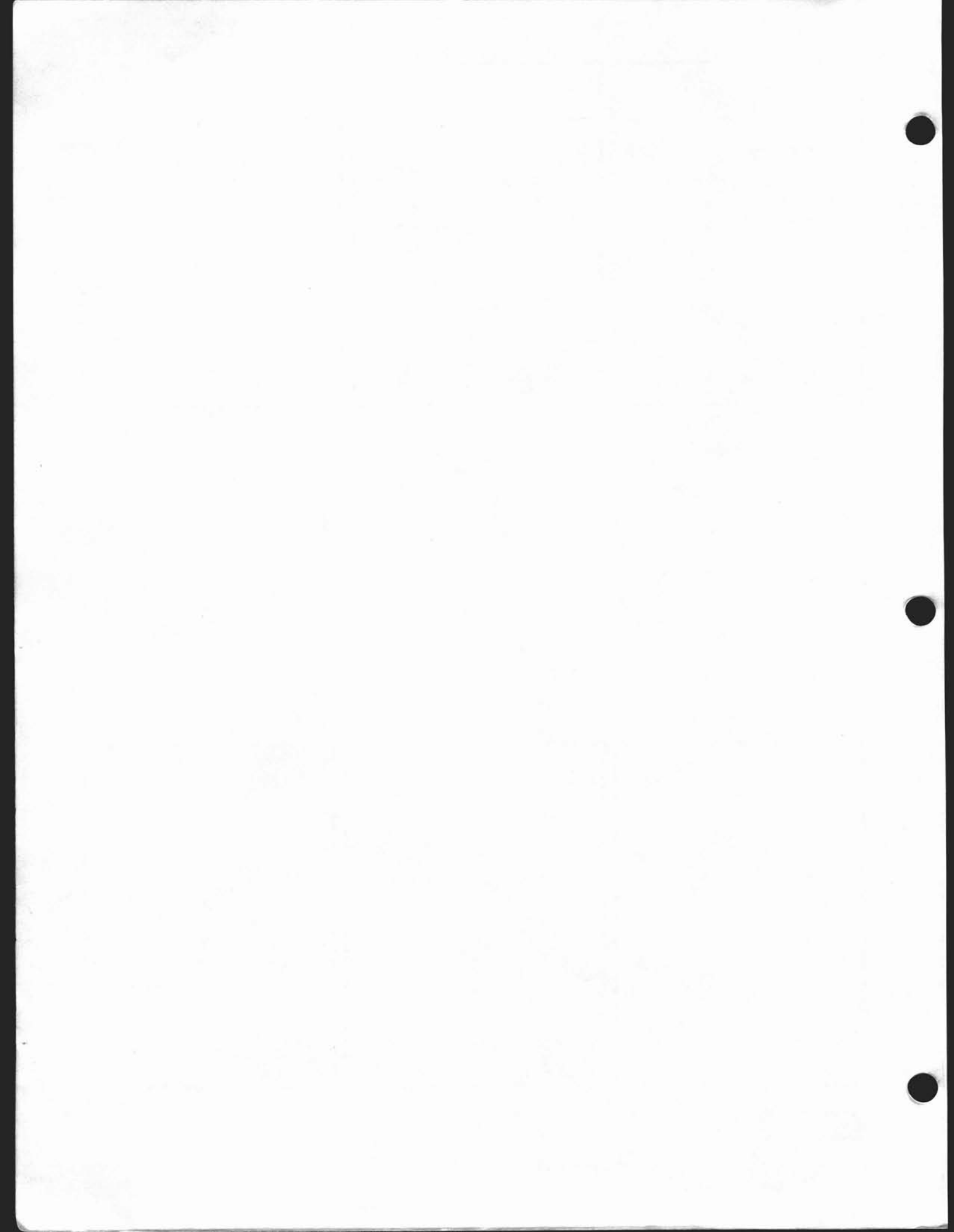
WIRING DIAGRAM
FIGURE 5-1A
PAGE 5-2A



FORWARD & REVERSE SWITCH
FIGURE 5-4
PAGE 5-8

VISUAL INDEX III





Section I

BODY AND TRIM GROUP

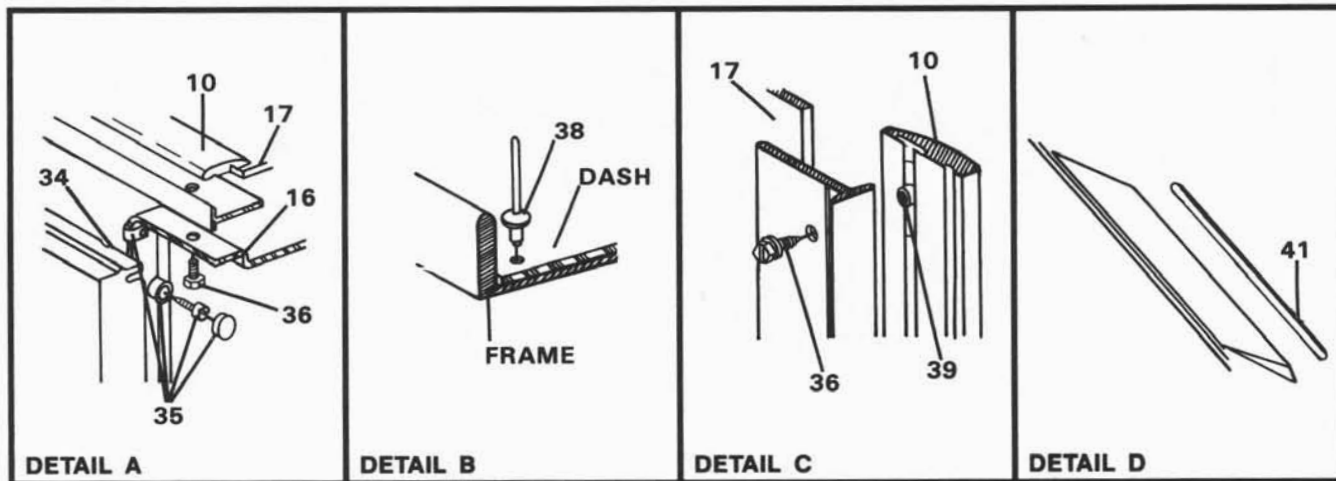
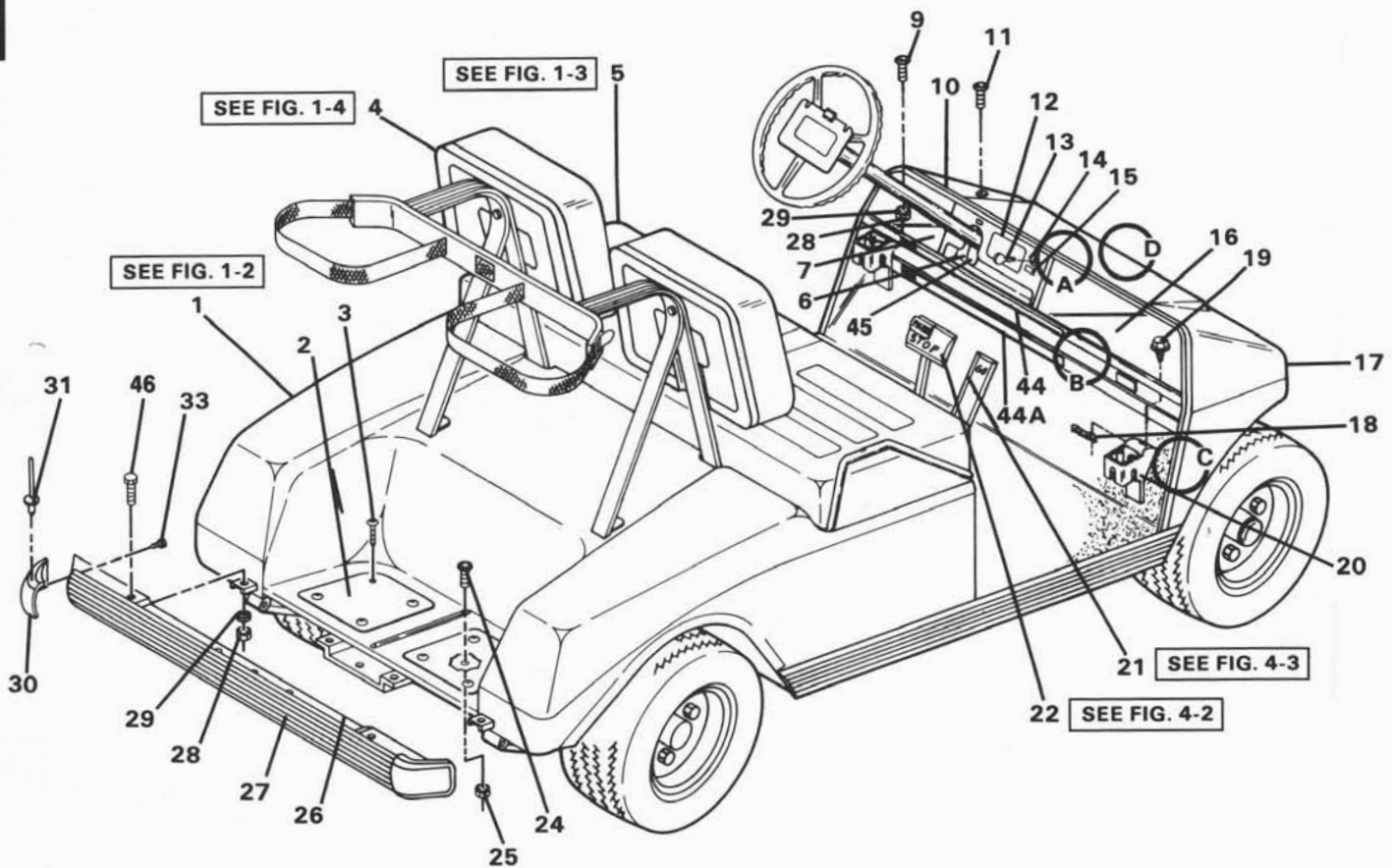


FIGURE 1-1. FINAL ASSEMBLY, ELECTRIC CAR. SHEET 1 OF 2. INDEX NUMBERS 1-44. SEE LIST 1-1.

ClubCar®

DS ELECTRIC

FINAL ASSEMBLY, ELECTRIC CAR

FIGURE- ITEM NUMBER	PART NUMBER	UNITS PER ASM	DESCRIPTION			
			1	2	3	4
1 -	NO #	1	BODY ASSEMBLY, ELECTRIC CAR FOR ILLUSTRATION, SEE FIGURE 1-1			
- 1	NO #	1	BODY ASSEMBLY FOR DETAIL BREAKDOWN, SEE FIGURE 1-2			
- 2	1014392	2	BAGWELL MAT			
- 3	1010434	8	BARREL - PLASTIC, BLACK			
- 4	NO #	1	BAG HOOP AND SEAT BACK ASSEMBLY FOR DETAIL BREAKDOWN, SEE FIGURE 1-4			
- 5	NO #	1	SEAT BOTTOM ASSEMBLY FOR DETAIL BREAKDOWN, SEE FIGURE 1-3			
- 6	1011018	1	STEERING COLUMN BOOT			
- 7	1010885	1	LEFT DASH POCKET			
- 9	1010435	2	BOLT, CARRIAGE, 5/16-18 UNC X 1"			
- 10	1011014	1	COWL TRIM			
- 11	7251	2	SCREW, PHILLIPS HEAD, 5/16-18 UNC X 1"			
- 12	1013390	1	GOLF ETIQUETTE DECAL			
- 13	1012505	1	SWITCH KEYS (PAIR)			
- 14	1012531	1	KEY SWITCH (INCLUDES 2 KEYS)			
- 15	1012530	1	ON/OFF DECAL			
- 16	1010887	1	RIGHT DASH POCKET			
- 17	1015123-01	1	COWL (BEIGE)			
- 17	1015123-02	1	COWL (WHITE)			
- 17	1011573-01	1	COWL WITH HEADLIGHT OPENINGS (BEIGE)			
- 17	1011573-02	1	COWL WITH HEADLIGHT OPENINGS (WHITE)			
- 18	1013421	2	TWIN SPEED NUT			
- 19	1010545	4	SCREW, SHEET METAL 1/4-14			
- 20	1013422	2	CUP HOLDER KIT INCLUDES ITEMS 18 AND 19			
- 21	NO #	1	ACCELERATOR PEDAL ASSEMBLY FOR DETAIL BREAKDOWN, SEE FIGURE 4-3			
- 22	NO #	1	BRAKE PEDAL ASSEMBLY FOR DETAIL BREAKDOWN, SEE FIGURE 4-2			
- 24	8251	2	SCREW, PHILLIPS TRUSS HEAD, 1/4-20 UNC X 1"			
- 25	8233	2	LOCKNUT, 1/4-20 UNC			
- 26	1013901	1	REAR BUMPER ASSEMBLY INCLUDES ITEMS 9, 27 THRU 33			
- 27	1010988	1	REAR BUMPER GUARD			
- 28	7473	6	LOCKNUT, 5/16-18 UNC			
- 29	1241	6	FLATWASHER, 5/16"			
- 30	1011086	2	BUMPER END CAP			
- 31	1016335	2	POP RIVET, 1/4" X 3/4"			
- 33	1010545	4	SCREW, SHEET METAL, 1/4-14			
- 34	1010886	1	CENTER DASH PANEL			
- 35	1011398	1	SNAP WASHER KIT			
- 36	1011017	6	LOCKSCREW, FLANGE, #8-32 UNC			
- 38	7973	7	POP RIVET, 3/16" X 1/2"			
- 39	1011394	1	SLAB BASE "T" NUT PACKAGES (4 PCS.)			
- 41	1014198	1	NAMEPLATE KIT			
- 44	1013391	1	SAFETY WARNING DECAL (SERIAL # A8633-105937 AND EARLIER)			
- 44A	1014883	1	SAFETY WARNING DECAL (SERIAL # A8633-105938 AND LATER)			
- 45	1014738	1	BACK-UP STRIP			
- 46	1014826	4	5/16-18 X 1.00 ROUND HEAD SQUARE NECK BOLT			

ClubCar®

DS ELECTRIC

Manual No. 1013165 - Issue Date 9/91
Effective Serial No. A8521-77395 thru A8701-110760

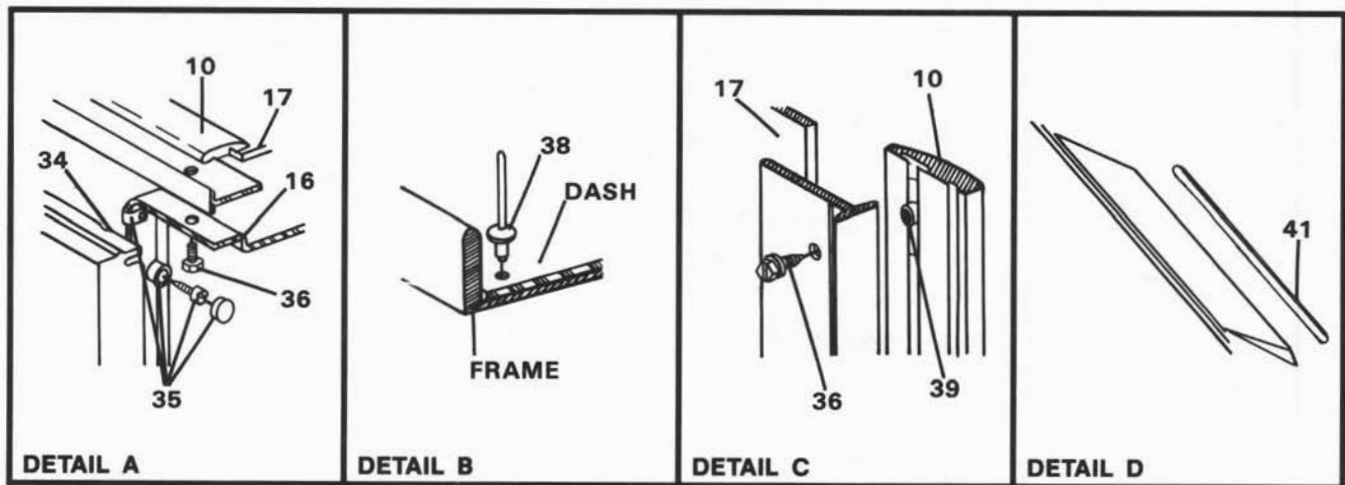
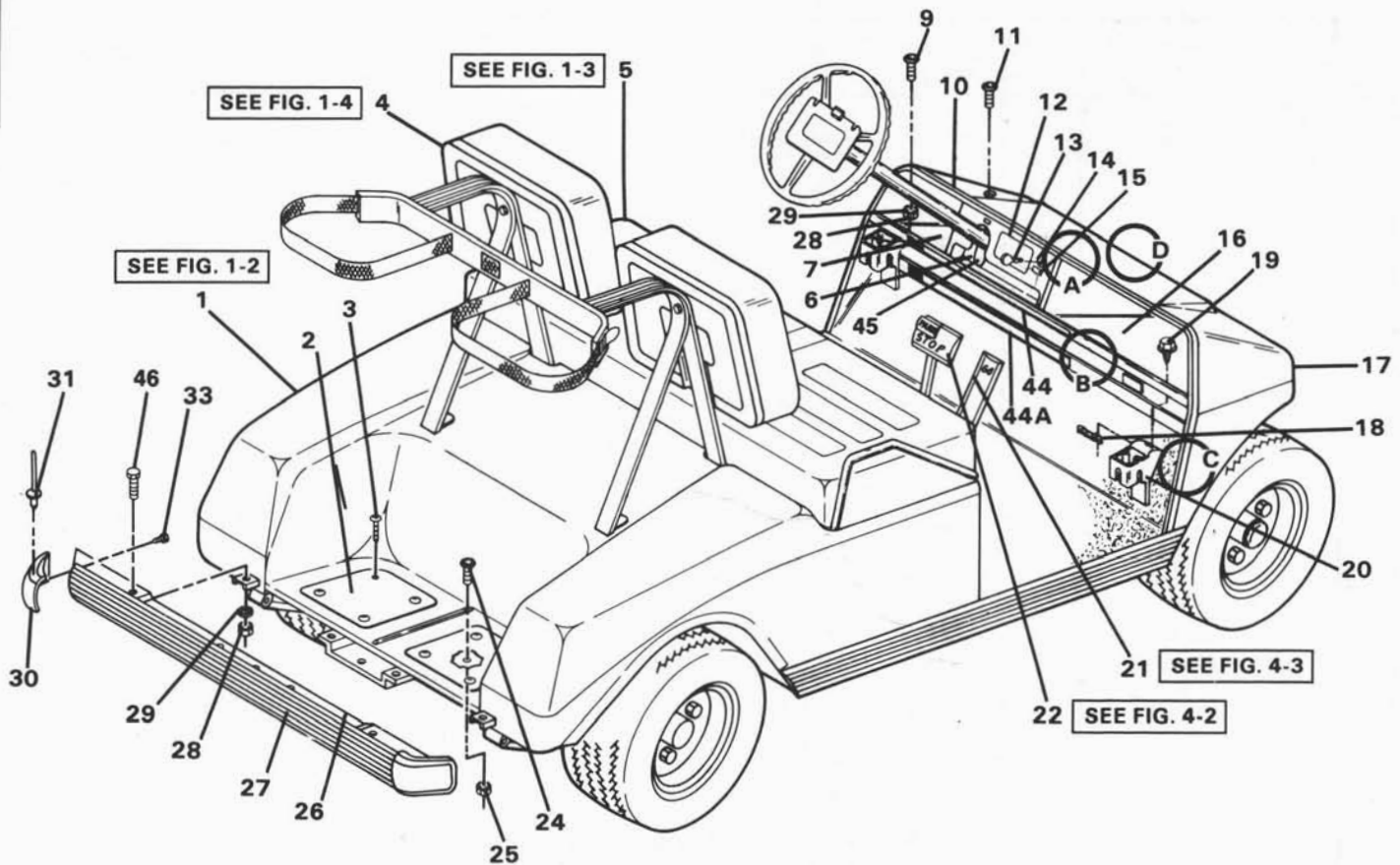


FIGURE 1-1A. FINAL ASSEMBLY, ELECTRIC CAR. SHEET 1 OF 2. INDEX NUMBERS 1-44. SEE LIST 1-1A.

FINAL ASSEMBLY, ELECTRIC CAR

FIGURE- ITEM NUMBER	PART NUMBER	UNITS PER ASM	DESCRIPTION			
			1	2	3	4
1 -	NO #	1	BODY ASSEMBLY, ELECTRIC CAR FOR ILLUSTRATION, SEE FIGURE 1-1A			
- 1	NO #	1	BODY ASSEMBLY FOR DETAIL BREAKDOWN, SEE FIGURE 1-2A			
- 2	1014392	2	BAGWELL MAT			
- 3	1010434	8	BARREL - PLASTIC, BLACK			
- 4	NO #	1	BAG HOOP AND SEAT BACK ASSEMBLY FOR DETAIL BREAKDOWN, SEE FIGURE 1-4A			
- 5	NO #	1	SEAT BOTTOM ASSEMBLY FOR DETAIL BREAKDOWN, SEE FIGURE 1-3A			
- 6	1012499	1	STEERING COLUMN BOOT			
- 7	1013980	1	LEFT DASH COMPONENT (TAN)			
- 7	1013344	1	LEFT DASH COMPONENT (BLACK)			
- 9	1010435	2	BOLT, CARRIAGE, 5/16-18 UNC X 1"			
- 10	1011014	1	COWL TRIM			
- 11	7251	2	SCREW, PHILLIPS HEAD, 5/16-18 UNC X 1"			
- 12	1013390	1	GOLF ETIQUETTE DECAL			
- 13	1012505	1	SWITCH KEYS (PAIR)			
- 14	1012531	1	KEY SWITCH (INCLUDES 2 KEYS)			
- 15	1012530	1	ON/OFF DECAL			
- 16	1013979	1	RIGHT DASH COMPONENT (TAN)			
- 16	1013343	1	RIGHT DASH COMPONENT (BLACK)			
- 17	1015123-01	1	COWL (BEIGE)			
- 17	1015123-02	1	COWL (WHITE)			
- 17	1015123-03	1	COWL (NON-STANDARD)			
- 17	1015123-04	1	COWL (GRAY)			
- 17	1016225-01	1	COWL WITH HEADLIGHT OPENINGS (BEIGE)			
- 17	1016225-02	1	COWL WITH HEADLIGHT OPENINGS (WHITE)			
- 17	1016225-03	1	COWL WITH HEADLIGHT OPENINGS (NON-STANDARD)			
- 17	1016225-04	1	COWL WITH HEADLIGHT OPENINGS (GRAY)			
- 18	1013421	2	TWIN SPEED NUT			
- 19	1010545	8	1/4-14 X 3/4" HEX WASHER HEAD SLOTTED SCREW			
- 20	1013422	2	CUP HOLDER KIT INCLUDES ITEMS 18 AND 19			
- 21	NO #	1	ACCELERATOR PEDAL ASSEMBLY FOR DETAIL BREAKDOWN, SEE FIGURE 4-3			
- 22	NO #	1	BRAKE PEDAL ASSEMBLY FOR DETAIL BREAKDOWN, SEE FIGURE 4-2			
- 24	8251	2	SCREW, PHILLIPS TRUSS HEAD, 1/4-20 UNC X 1"			
- 25	8233	2	LOCKNUT, 1/4-20 UNC			
- 26	1013901	1	REAR BUMPER ASSEMBLY INCLUDES ITEMS 9, 27 THRU 33			
- 27	1013900	1	REAR BUMPER GUARD			
- 28	7473	6	LOCKNUT, 5/16-18 UNC			
- 29	1241	6	FLATWASHER, 5/16"			
- 30	1011086	2	BUMPER END CAP			
- 31	1606	2	POP RIVET, 3/16" X 21/32"			
- 34	1013978	1	CENTER DASH PANEL (TAN)			
- 34	1013339	1	CENTER DASH PANEL (BLACK)			
- 35	1013986	1	SNAP WASHER KIT (BROWN)			
- 35	1014645	1	SNAP WASHER KIT (BLACK)			
- 36	1011017	6	LOCKSCREW, FLANGE, #8-32 UNC			
- 38	7973	7	POP RIVET, 3/16" X 1/2"			
- 39	1011394	1	SLAB BASE "T" NUT PACKAGES (4 PCS.)			
- 41	1014198	1	NAMEPLATE KIT			
- 44	1014090	1	SAFETY WARNING DECAL			
- 45	1014738	1	BACK-UP STRIP			
- 46	1014826	4	5/16-18 X 1.00 ROUND HEAD SQUARE NECK BOLT			



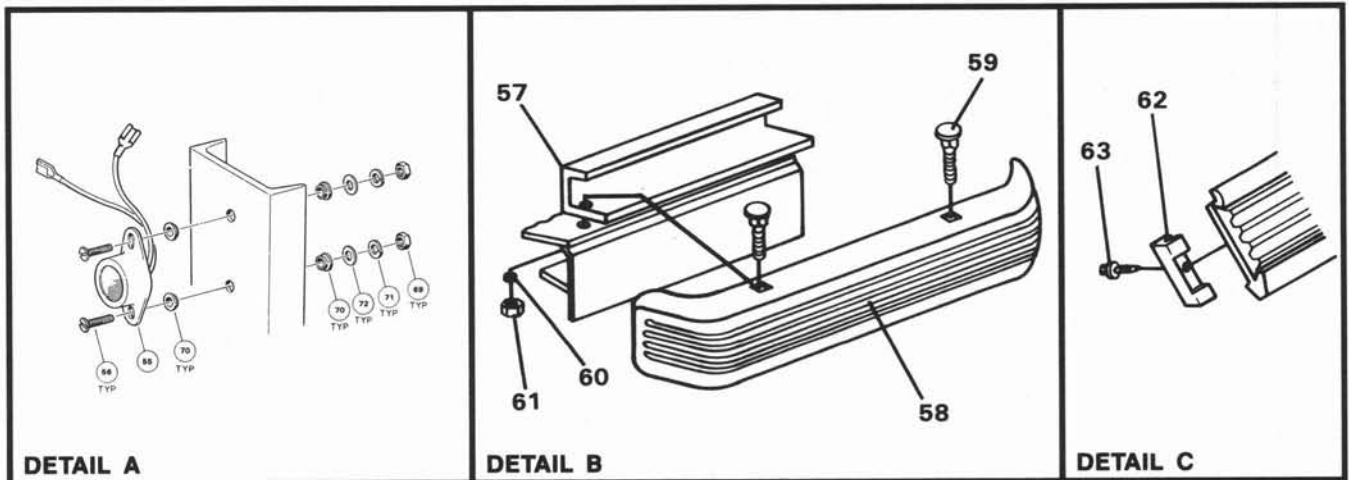
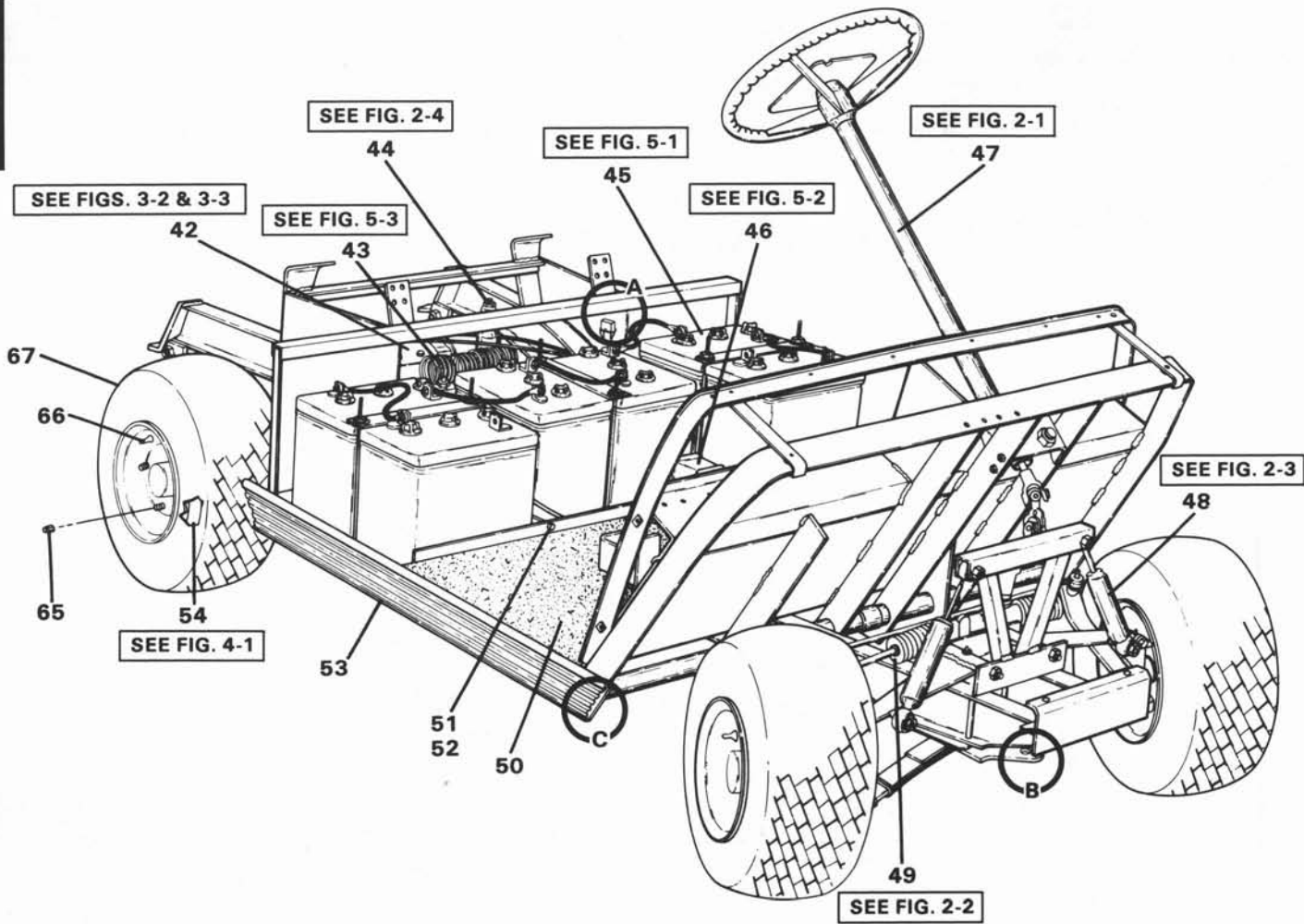


FIGURE 1-1. FINAL ASSEMBLY, ELECTRIC CAR. SHEET 2 OF 2. INDEX NUMBERS 42-67. SEE LIST 1-1.



FINAL ASSEMBLY, ELECTRIC CAR

FIGURE- ITEM NUMBER	PART NUMBER	UNITS PER ASM	DESCRIPTION			
			1	2	3	4
- 42	NO #	1	MOTOR, FOR CLUB CAR MODEL 1012191 AND 1012653 FOR DETAIL BREAKDOWN, SEE FIGURE 3-2			
- 42	NO #	1	MOTOR, FOR CLUB CAR MODEL 1012190 FOR DETAIL BREAKDOWN, SEE FIGURE 3-3			
- 43	NO #	1	SOLENOID AND RESISTOR GROUP FOR DETAIL BREAKDOWN, SEE FIGURE 5-3			
- 44	NO #	1	REAR SUSPENSION ASSEMBLY FOR DETAIL BREAKDOWN, SEE FIGURE 2-4			
- 45	NO #	1	ELECTRICAL SYSTEM FOR DETAIL BREAKDOWN, SEE FIGURE 5-1			
- 46	NO #	1	SPEED SWITCH FOR DETAIL BREAKDOWN, SEE FIGURE 5-2			
- 47	NO #	1	STEERING COLUMN ASSEMBLY FOR DETAIL BREAKDOWN, SEE FIGURE 2-1			
- 48	NO #	1	FRONT SUSPENSION ASSEMBLY FOR DETAIL BREAKDOWN, SEE FIGURE 2-3			
- 49	NO #	1	RACK AND PINION ASSEMBLY FOR DETAIL BREAKDOWN, SEE FIGURE 2-2			
- 50	1015032	1	FLOORMAT			
- 51	8251	2	SCREW, PHILLIPS TRUSS HEAD, 1/4-20 UNC X 1"			
- 52	8233	2	LOCKNUT, 1/4-20 UNC			
- 53	1010684	2	SIDE BUMPER GUARD			
- 54	NO #	1	BRAKE CLUSTER, RIGHT AND LEFT FOR DETAIL BREAKDOWN, SEE FIGURE 4-1			
- 55	1015571	1	BUZZER, REVERSE, 36V (KIT)			
- 56	8056	2	#4-40 X 3/4" ROUND HEAD MACHINE SCREW			
- 57	1012204	1	BUMPER PLATE			
- 58	1011880	1	FRONT BUMPER INCLUDES ITEM 57			
- 59	1010435	2	BOLT, CARRIAGE, 5/16-18 UNC X 1"			
- 60	7174	2	LOCKWASHER, 5/16"			
- 61	1242	2	HEX NUT, 5/16-18 UNC			
- 62	1010997	4	SIDE TRIM MOUNTING CLIP			
- 63	8626	4	SCREW, HEX HEAD, #10, TYPE AB			
- 64	1012431	2	FLATWASHER, #4			
- 65	1011390	1	LUG NUT PACKAGE (8 PCS.)			
- 66	7310	4	VALVE STEM			
- 67	1015705-01	4	TIRE AND WHEEL ASSEMBLY (STANDARD RIB) BEIGE			
- 67	1015705-02	4	TIRE AND WHEEL ASSEMBLY (POWER RIB) BEIGE			
- 67	1015705-03	4	TIRE AND WHEEL ASSEMBLY (TERRA TRACTION) BEIGE			
- 67	1015705-04	4	TIRE AND WHEEL ASSEMBLY (WHITE WALL TERRA GARD) BEIGE			
- 68	8058	2	#4 HELICAL SPRING LOCKWASHER			
- 69	8057	2	#4-40 HEX NUT			
- 70	1016141	4	#4 NYLON SHOULDER WASHER			
- 71	8058	2	#4 LOCKWASHER			
- 72	1012431	2	#4 FLATWASHER			



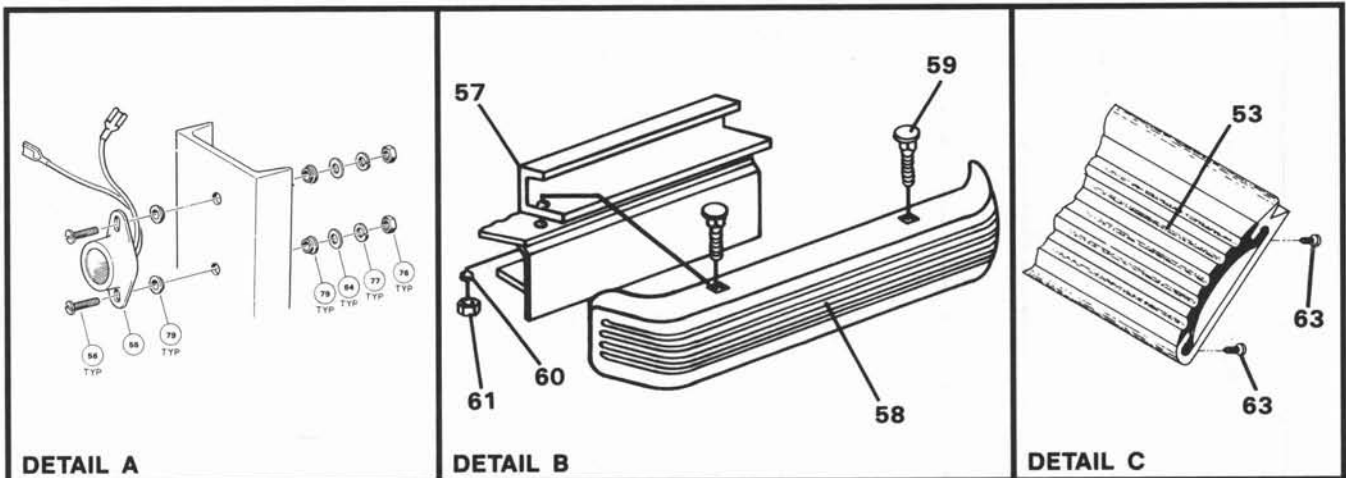
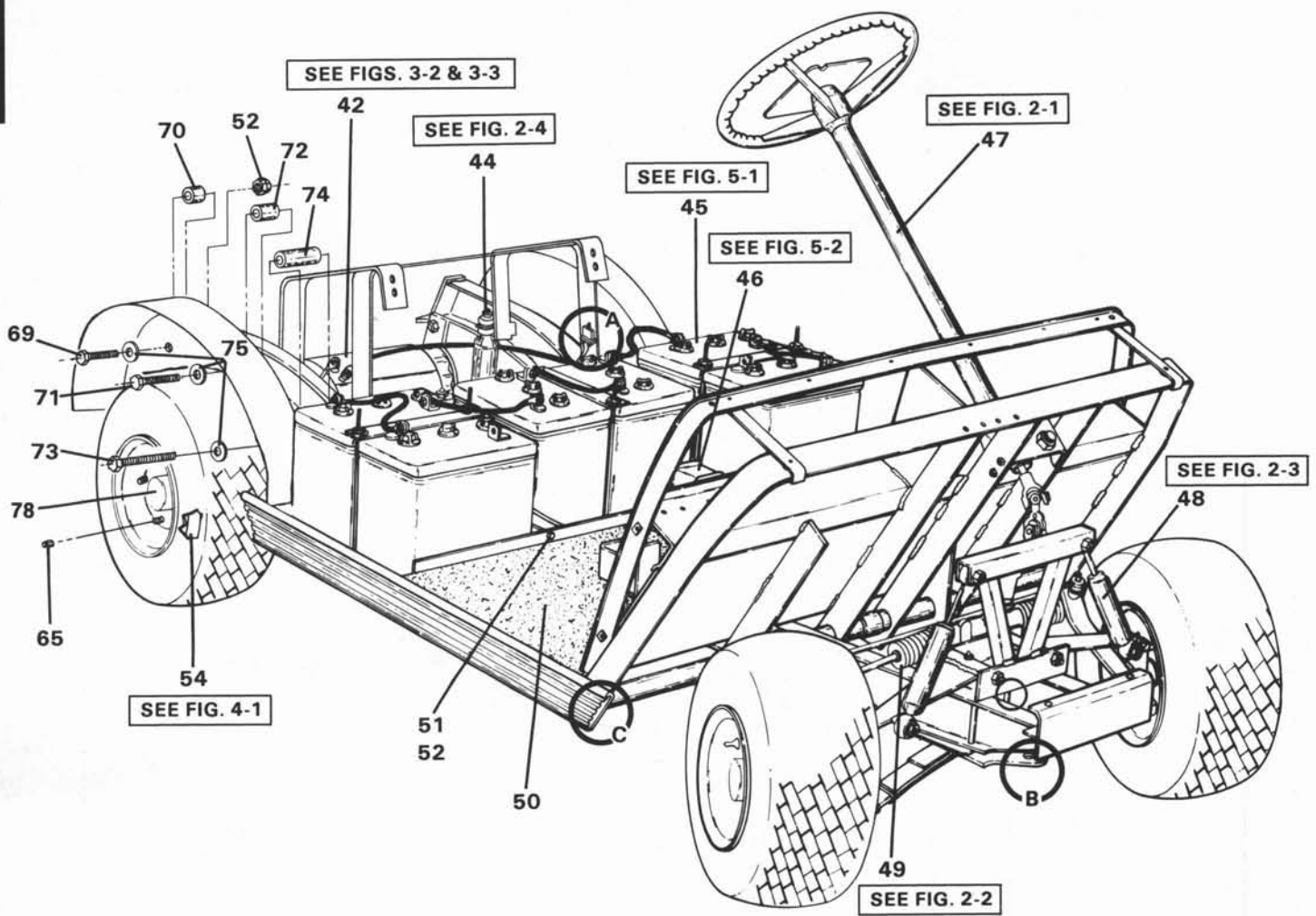


FIGURE 1-1A. FINAL ASSEMBLY, ELECTRIC CAR. SHEET 2 OF 2. INDEX NUMBERS 42-77. SEE LIST 1-1A.



FINAL ASSEMBLY, ELECTRIC CAR

FIGURE- ITEM NUMBER	PART NUMBER	UNITS PER ASM	DESCRIPTION
			1 2 3 4
- 42	NO #	1	MOTOR, FOR CLUB CAR MODEL 1012191 AND 1012653 FOR DETAIL BREAKDOWN, SEE FIGURE 3-2
- 42	NO #	1	MOTOR, FOR CLUB CAR MODEL 1012190 FOR DETAIL BREAKDOWN, SEE FIGURE 3-3
- 43	NO #	1	SOLENOID AND RESISTOR GROUP FOR DETAIL BREAKDOWN, SEE FIGURE 5-3
- 44	NO #	1	REAR SUSPENSION ASSEMBLY FOR DETAIL BREAKDOWN, SEE FIGURE 2-4
- 45	NO #	1	ELECTRICAL SYSTEM FOR DETAIL BREAKDOWN, SEE FIGURE 5-1
- 46	NO #	1	SPEED SWITCH FOR DETAIL BREAKDOWN, SEE FIGURE 5-2
- 47	NO #	1	STEERING COLUMN ASSEMBLY FOR DETAIL BREAKDOWN, SEE FIGURE 2-1
- 48	NO #	1	FRONT SUSPENSION ASSEMBLY FOR DETAIL BREAKDOWN, SEE FIGURE 2-3
- 49	NO #	1	RACK AND PINION ASSEMBLY FOR DETAIL BREAKDOWN, SEE FIGURE 2-2
- 50	1015032	1	FLOORMAT
- 51	1014415	2	SCREW, PHILLIPS TRUSS HEAD, 1/4-20 UNC X 1"
- 52	8233	8	LOCKNUT, 1/4-20 UNC
- 53	1010684	2	SIDE BUMPER GUARD (CARS WITH SERIAL NO. A8702-111176 AND EARLIER)
- 53	1013983	2	SIDE BUMPER GUARD (CARS WITH SERIAL NO. A8702-111177 AND LATER)
- 54	NO #	1	BRAKE CLUSTER, RIGHT AND LEFT FOR DETAIL BREAKDOWN, SEE FIGURE 4-1
- 55	1015571	1	BUZZER, REVERSE, 36V (KIT)
- 56	8056	2	SCREW, ROUND HEAD, #4-40 X 3/4"
- 57	1012204	1	BUMPER PLATE
- 58	1011880	1	FRONT BUMPER INCLUDES ITEM 57
- 59	1010435	2	BOLT, CARRIAGE, 5/16-18 UNC X 1"
- 60	7174	2	LOCKWASHER, 5/16"
- 61	1242	2	HEX NUT, 5/16-18 UNC
- 63	1012047	8	SCREW, SELF TAPPING, #8-32
- 64	1012431	3	FLATWASHER, #4
- 65	1011390	2	LUG NUT PACKAGE (8 PCS.)
- 66	7310	4	VALVE STEM
- 68	1013103	2	INJECTION MOLDED INNER FENDER
- 69	1013509	2	BOLT, HEX HEAD, 1/4-20 X 1-3/4"
- 70	1013507	2	SPACER, 1"
- 71	343	2	BOLT, HEX HEAD, 1/4-20 X 3"
- 72	1013506	2	SPACER, 2-1/8"
- 73	1012462	2	BOLT, HEX HEAD, 1/4-20 X 3-1/2"
- 74	1013508	2	SPACER, 2-3/4"
- 75	332	6	FLATWASHER, 1/4"
- 76	8057	2	HEX NUT, #4-40
- 77	8058	2	LOCKWASHER, #4
- 78	1012186	2	DUST CAP
- 79	1015718	4	NYLON SHOULDER WASHER



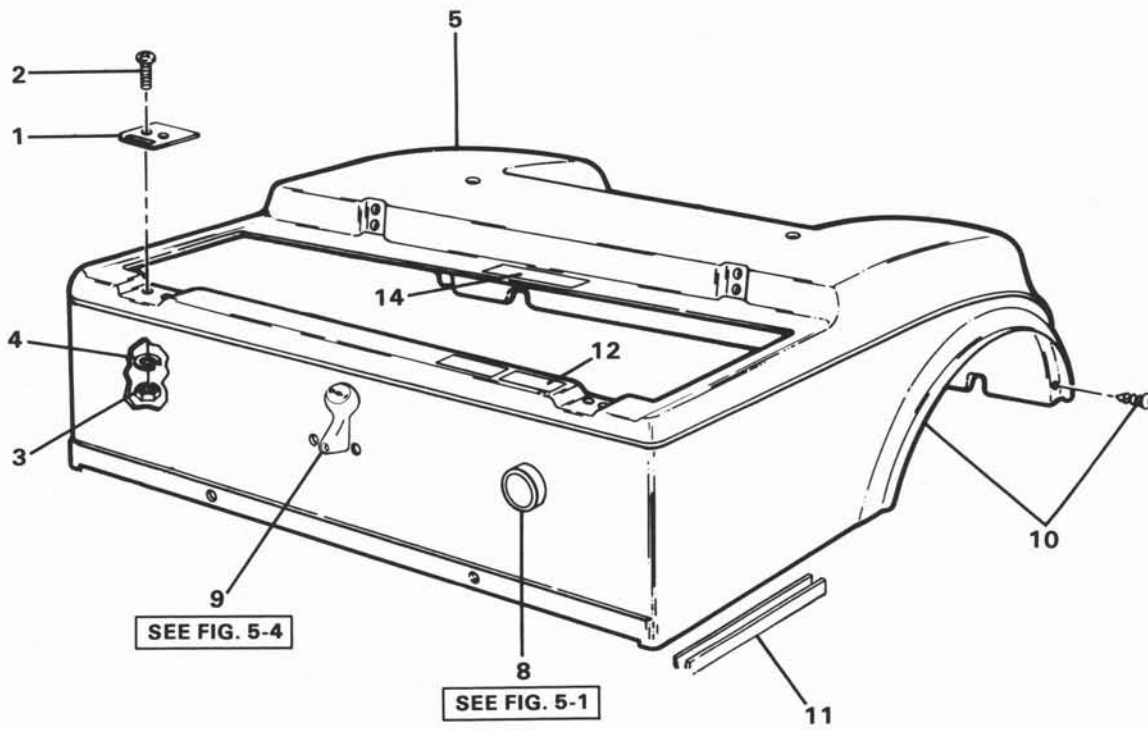


FIGURE 1-2. BODY ASSEMBLY. SEE LIST 1-2.

FIGURE-ITEM NUMBER	PART NUMBER	UNITS PER ASM	DESCRIPTION			
			1	2	3	4
2 -	NO #	1	BODY ASSEMBLY			
			FOR DETAIL BREAKDOWN, SEE FIGURE 1-2			
- 1	1012412	2	HINGE PLATE, BODY			
- 2	8251	4	SCREW, PHILLIPS HEAD, 1/4-20 X 1"			
- 3	8233	4	LOCKNUT, NYLON, 1/4-20			
- 4	332	4	FLATWASHER, 1/4"			
- 5	1011263-01	1	BODY (BEIGE)			
- 5	1011263-02	1	BODY (WHITE)			
- 5	1011263-03	1	BODY (NON-STANDARD)			
- 5	1011263-04	1	BODY (GRAY)			
- 5	1012080-01	1	BODY WITH TAILLIGHT OPENINGS (BEIGE)			
- 5	1012080-02	1	BODY WITH TAILLIGHT OPENINGS (WHITE)			
- 5	1012080-03	1	BODY WITH TAILLIGHT OPENINGS (NON-STANDARD)			
- 5	1012080-04	1	BODY WITH TAILLIGHT OPENINGS (GRAY)			
- 8	NO #	1	CHARGER RECEPTACLE ASSEMBLY			
			FOR DETAIL BREAKDOWN, SEE FIGURE 5-1			
- 9	1011997	1	FORWARD AND REVERSE SWITCH ASSEMBLY			
			FOR DETAIL BREAKDOWN, SEE FIGURE 5-4			
- 10	1013350	1	FENDER TRIM KIT (BEIGE)			
- 10	1013351	1	FENDER TRIM KIT (BLACK)			
- 11	1011306	2	VINYL TRIM			
- 12	1013677	1	BATTERY DANGER DECAL			
- 14	1013496	1	RESISTOR WARNING DECAL			

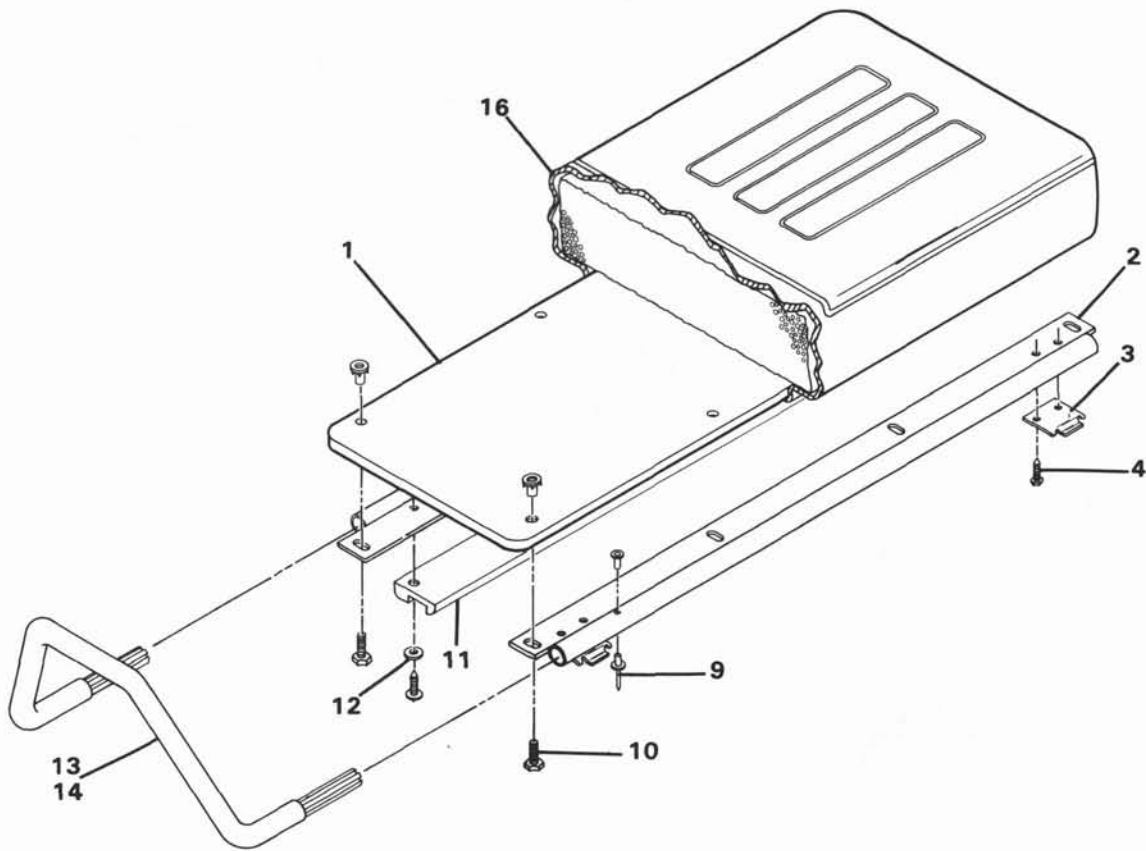


FIGURE 1-3. SEAT BOTTOM AND ARMREST ASSEMBLY. SEE LIST 1-3.

FIGURE- ITEM NUMBER	PART NUMBER	UNITS PER ASM	DESCRIPTION			
			1	2	3	4
3 -	NO #	1	SEAT BOTTOM ASSEMBLY (BUFF) FOR ILLUSTRATION, SEE FIGURE 1-3A			
- 1	1015648-04	1	SEAT BOTTOM ASSEMBLY, (BUFF)			
- 1	1015648-05	1	SEAT BOTTOM ASSEMBLY, (WHITE)			
- 1	1015648-06	1	SEAT BOTTOM ASSEMBLY, (NON-STANDARD)			
- 2	1015625	2	BRACKET, SEAT SUPPORT			
- 3	1011652	2	PLATE, SEAT HINGE			
- 4	1011451	9	SCREW, #12 TYPE AB			
- 9	1012327	4	RIVET, 3/16" MATING			
- 10	304	8	BOLT, 1/4-20 HEX			
- 11	1012597	1	BUMPER, SEAT			
- 12	183	3	WASHER, #10 FLAT			
- 13	1011786	1	LEFT ARMREST ASSEMBLY			
- 14	1011780	1	RIGHT ARMREST ASSEMBLY			
- 15	1015670	1	ARMREST SEAT BOTTOM ASSEMBLY KIT INCLUDES ITEMS 2, 9, 13 AND 14			
- 16	1015627-01	A/R	VINYL COVER - SEAT BOTTOM (BUFF)			
- 16	1015627-02	A/R	VINYL COVER - SEAT BOTTOM (WHITE)			
- 16	1015627-03	A/R	VINYL COVER - SEAT BOTTOM (NON-STANDARD)			



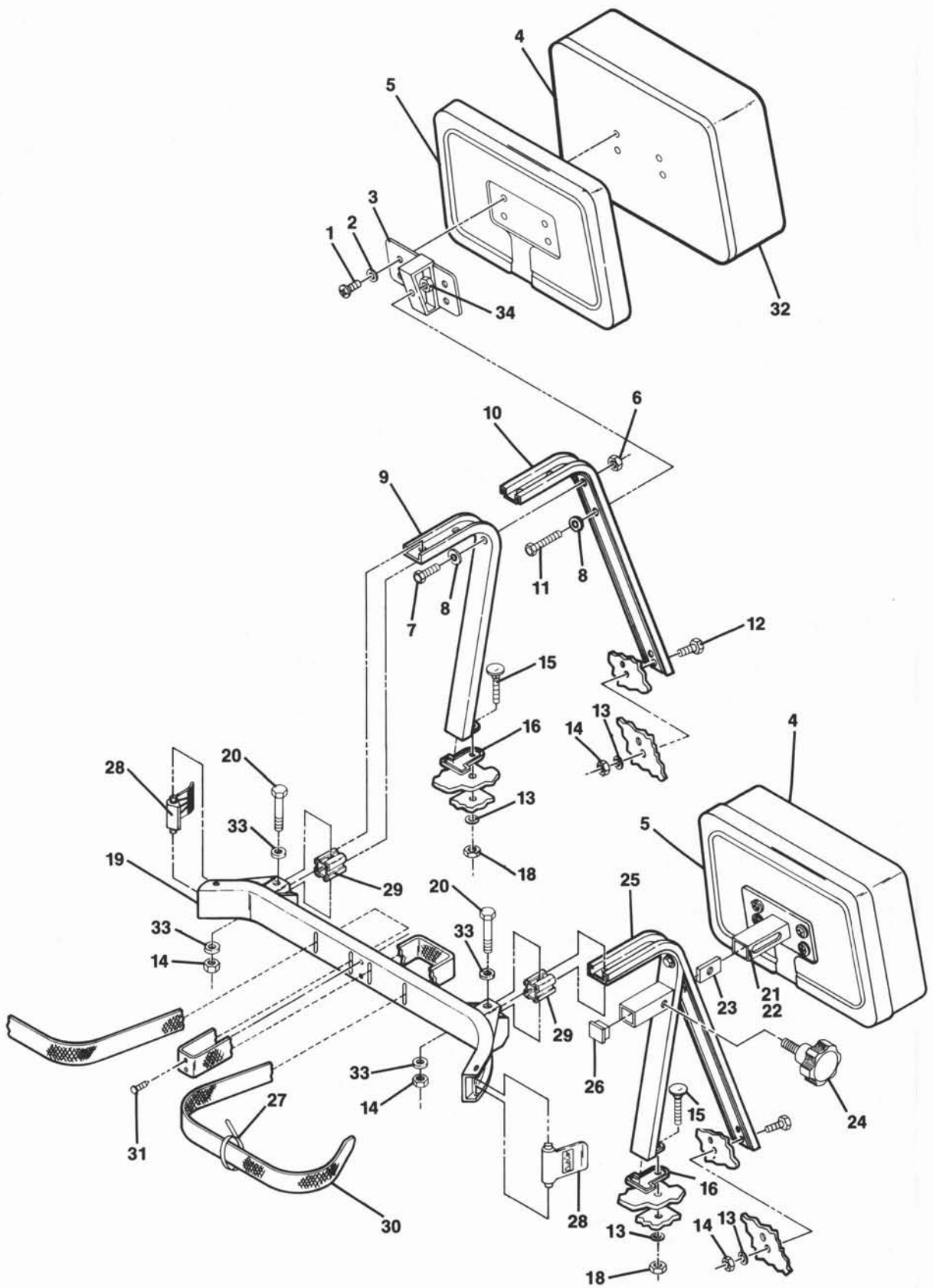
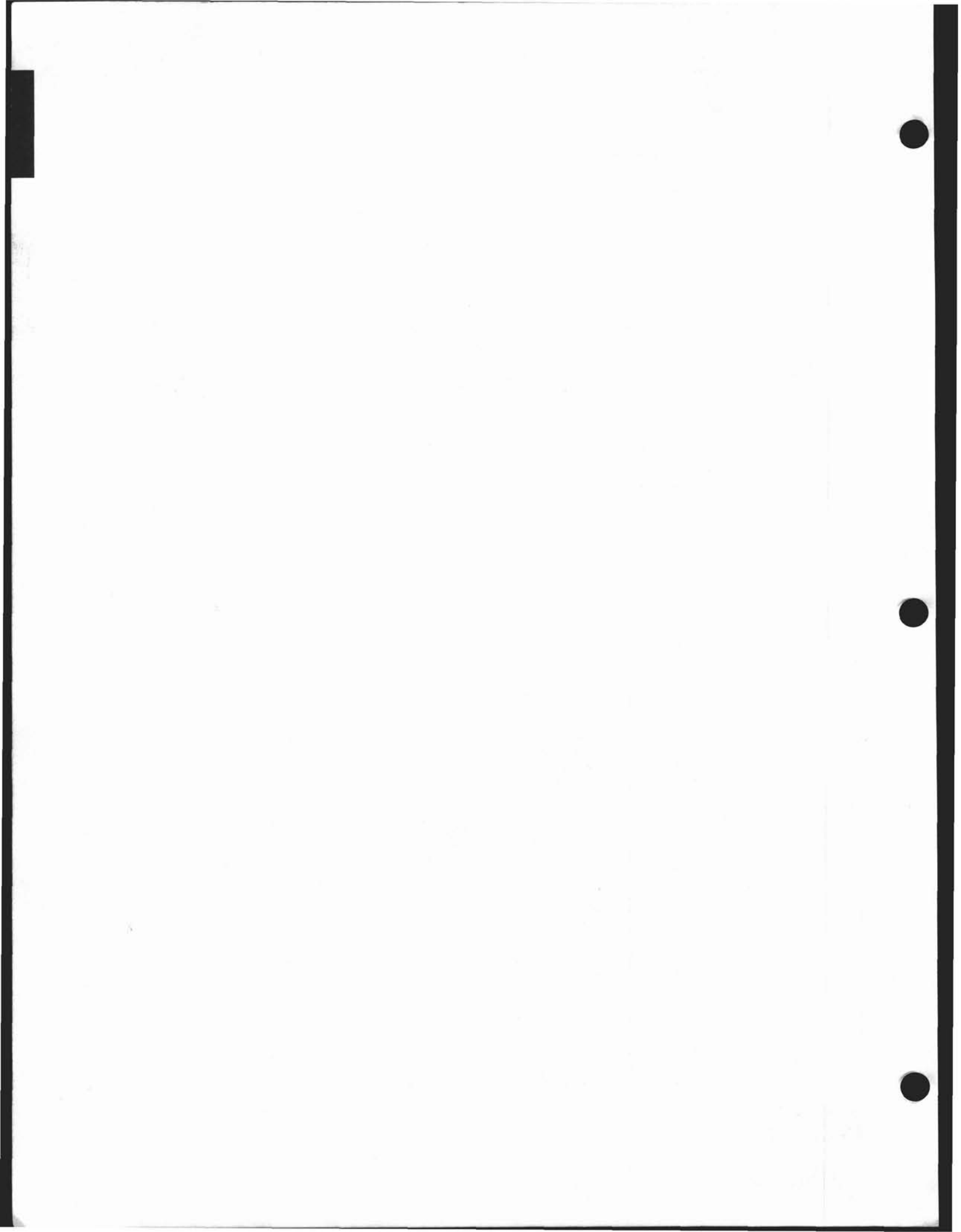


FIGURE 1-4. SEAT BACK AND BAG HOOP ASSEMBLY. SEE LIST 1-4.

SEAT BACK AND BAG HOOP ASSEMBLY

FIGURE- ITEM NUMBER	PART NUMBER	UNITS PER ASM	DESCRIPTION			
			1	2	3	4
4 -	NO #	1	BAG HOOP AND SEAT BACK ASSEMBLY FOR ILLUSTRATION, SEE FIGURE 1-4A			
- 1	8248	8	SCREW, 1/4-20 x 3/4"			
- 2	8304	8	LOCKWASHER, 1/4" INTERNAL TOOTH			
- 3	1011716	2	PLATE MOUNTING ASSEMBLY			
- 4	1015651-01	2	SEAT BACK ASSEMBLY — THICK BUNN (BUFF WITH TAN CAP) INCLUDES ITEM 5			
- 4	1015651-02	2	SEAT BACK ASSEMBLY — THICK BUNN (WHITE WITH BLACK CAP) INCLUDES ITEM 5			
- 4	1015651-03	2	SEAT BACK ASSEMBLY — THICK BUNN (NON-STANDARD WITH BLACK CAP) INCLUDES ITEM 5			
- 4	1015651-04	2	SEAT BACK ASSEMBLY — THICK BUNN (WHITE WITH BEIGE CAP) INCLUDES ITEM 5			
- 5	1011231	2	CAP, SEAT BACK (BEIGE)			
- 5	1013938	2	CAP, SEAT BACK (TAN)			
- 5	1013335	2	CAP, SEAT BACK (BLACK)			
- 6	8233	2	LOCKNUT, 1/4-20 NYLON			
- 7	7847	2	BOLT, HEX HEAD, 1/4-20 x 3/4"			
- 8	332	6	FLATWASHER, 1/4"			
- 9	1011710	2	KNEE BRACE WELD ASSEMBLY			
- 10	1011708	2	MAIN SEAT BACK SUPPORT			
- 11	1015521	2	BOLT, HEX HEAD, 1/4-20 x 7/8"			
- 12	1218	4	BOLT, HEX HEAD, 5/16-18 x 1-1/4"			
- 13	1241	6	FLATWASHER, 5/16"			
- 14	7473	8	LOCKNUT, 5/16-18 NYLON			
- 15	7818	2	BOLT, 5/16-18 x 1-1/2" CARRIAGE			
- 16	1011706	2	MOUNTING PAD			
- 18	1242	2	NUT, HEX, 5/16-18			
- 19	1013935	1	BAG HOOP ASSEMBLY INCLUDES ITEMS 28, 30 AND 31			
- 20	8935	2	BOLT, HEX HEAD, 5/16-18 x 2-1/4"			
- 21	1011794	A/R	ADJUSTABLE SEAT BACK KIT (OPTION) INCLUDES ITEMS 22-26			
- 22	1011752	2	MOUNTING PLATE WELD ASSEMBLY			
- 23	1010322	2	SEAT ADJUSTER LOCK			
- 24	1011761	2	SEAT ADJUSTER KNOB			
- 25	NO #	2	ADJUSTABLE SEAT BACK WELD ASSEMBLY (SEE ITEM 21)			
- 26	1011760	2	TUBE PLUG			
- 27	8639	1	TIE WRAP			
- 28	1013754	2	BUCKLE			
- 29	1013884	2	SPACER, BAG HOOP			
- 30	1010413	1	BELT STRAP ASSEMBLY			
- 31	1010434	2	PLASTIC BARRELS (BLACK)			
- 32	1015626-01	A/R	VINYL COVER - SEAT BACK (BUFF)			
- 32	1015626-02	A/R	VINYL COVER - SEAT BACK (WHITE)			
- 32	1015626-03	A/R	VINYL COVER - SEAT BACK (NON-STANDARD)			
- 33	1011697	4	FLATWASHER, 5/16"			
- 34	1015661	2	1/4-20 FLANGE LOCKNUTS			





Section II

SUSPENSION AND STEERING GROUP

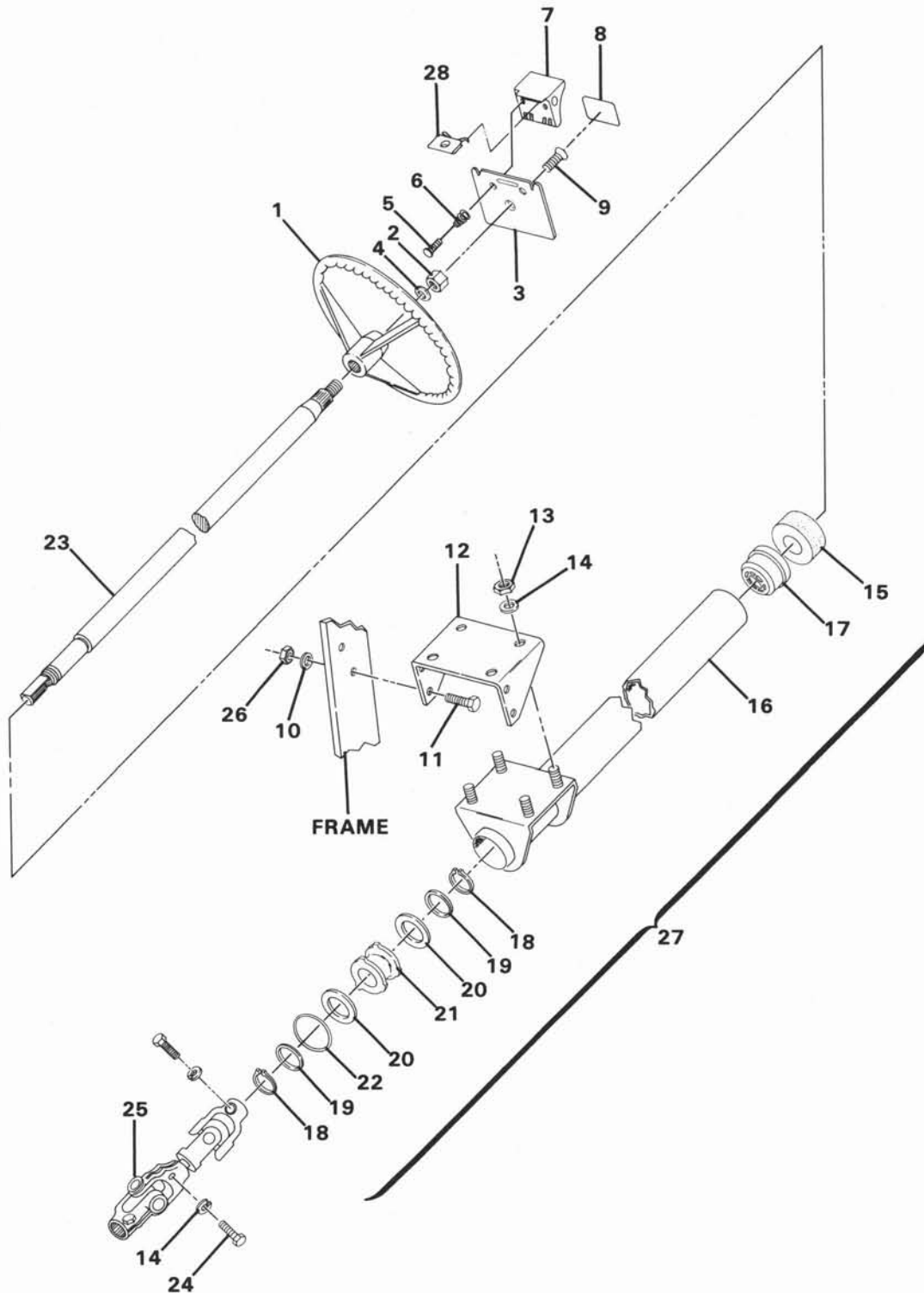


FIGURE 2-1. STEERING COLUMN ASSEMBLY. SEE LIST 2-1.

ClubCar®

DS ELECTRIC

STEERING COLUMN ASSEMBLY

FIGURE- ITEM NUMBER	PART NUMBER	UNITS PER ASM	DESCRIPTION			
			1	2	3	4
1 -	NO #	1	STEERING COLUMN ASSEMBLY FOR ILLUSTRATION, SEE FIGURE 2-1			
- 1	1012569	1	WHEEL, STEERING			
- 2	7209	1	NUT, SCORECARD			
- 3	1013434	1	SCORECARD KIT INCLUDES ITEMS 5 THRU 8 AND 28			
- 4	1010193	1	FLATWASHER, 5/8"			
- 5	1012565	2	SCREW, PHILLIPS PAN HEAD, TAPPING			
- 6	1012566	2	SPRING, COMPRESSION			
- 7	1012504	1	HOLDER, PENCIL			
- 8	1013389	1	OPERATING INSTRUCTIONS DECAL			
- 9	7216	1	SCREW, SQUARE FLAT HEAD 5/16-18			
- 10	334	4	FLATWASHER, 3/8"			
- 11	320	4	BOLT, HEX, 3/8-16			
- 12	1013922	1	PLATE, STEERING MOUNTING			
- 13	1012528	4	NUT, HEX, 8MM X 1-1/4"			
- 14	7174	7	LOCKWASHER, 5/16"			
- 15	1012466	1	COVER, DUST			
- 16	1012603	1	COLUMN WELD ASSEMBLY			
- 17	1012465	1	BEARING, TOP			
- 18	1012605	2	RING, RETAINING			
- 19	1012604	2	WASHER			
- 20	1012606	2	WASHER			
- 21	1012609	1	BEARING, BOTTOM			
- 22	1012607	1	RING, SNAP			
- 23	NO #	1	SHAFT (SEE ITEM 27)			
- 24	1012830	3	BOLT, HEX, 8MM			
- 25	1013861	1	JOINT, YOKE COMPOUND STEERING INCLUDES ITEMS 14 AND 24			
- 26	8754	4	LOCKNUT, 3/8-16			
- 27	1012471	1	STEERING COLUMN ASSEMBLY INCLUDES ITEMS 16 THRU 23			
- 28	1014260	1	CLIP-PENCIL HOLDER			
- 29	1014216	1	STEERING COLUMN REBUILD KIT			



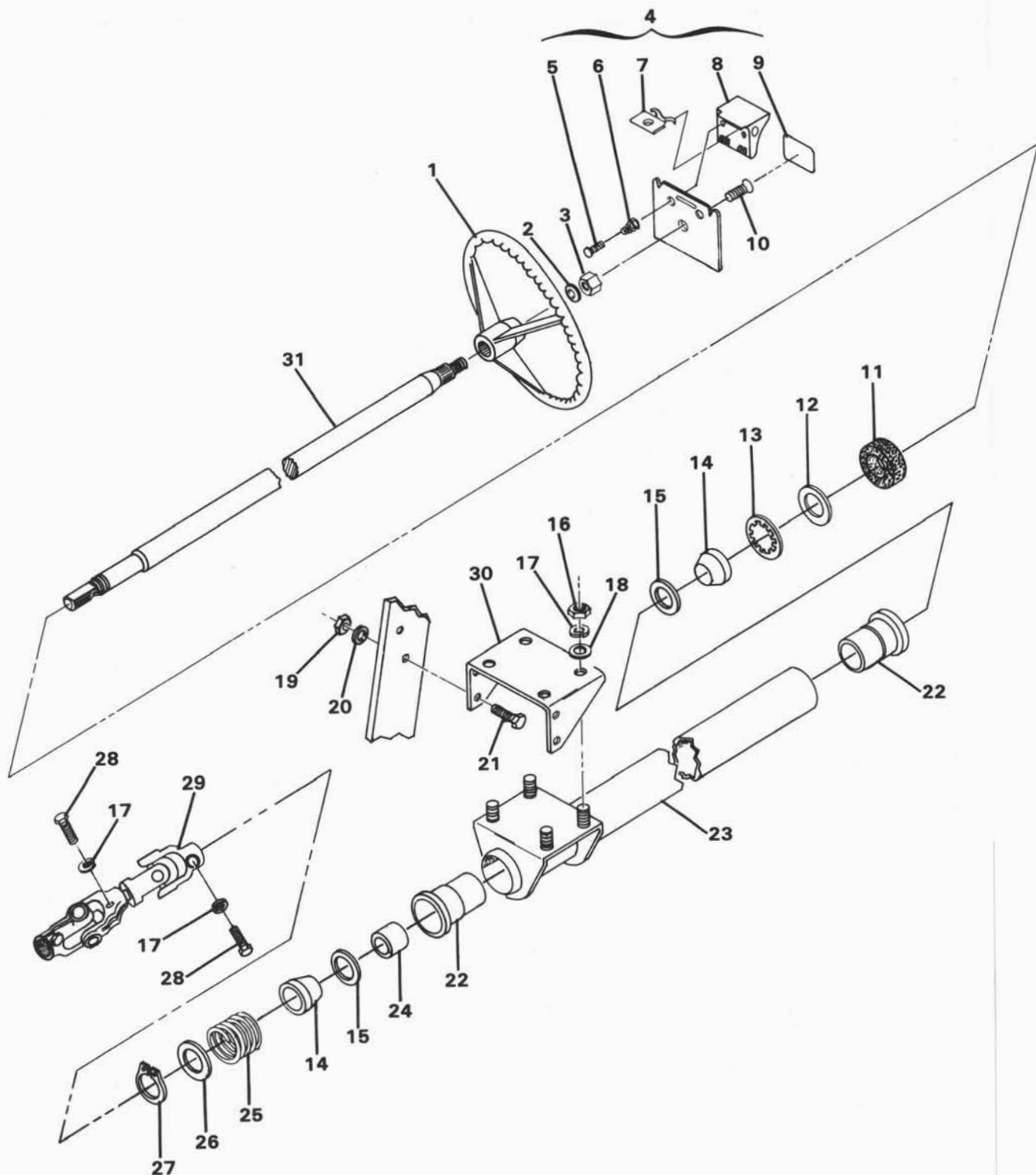


FIGURE 2-1A. STEERING COLUMN ASSEMBLY. SEE LIST 2-1A.

STEERING COLUMN ASSEMBLY

FIGURE- ITEM NUMBER	PART NUMBER	UNITS PER ASM	DESCRIPTION
			1 2 3 4
1A -	NO #	1	STEERING ASSEMBLY FOR ILLUSTRATION, SEE FIGURE 2-1A
- 1	1012569	1	WHEEL, STEERING
- 2	1010193	1	FLATWASHER, 5/8"
- 3	7209	1	NUT, SCORECARD
- 4	1013434	1	SCORECARD KIT INCLUDES ITEMS 5 THRU 9
- 5	1012565	2	SCREW, PHILLIPS PAN HEAD, TAPPING
- 6	1012566	2	SPRING, COMPRESSION
- 7	1014260	1	CLIP-PENCIL HOLDER
- 8	1012504	1	PENCIL HOLDER
- 9	1013389	1	OPERATING INSTRUCTIONS DECAL
- 10	7216	1	SCREW, FLAT HEAD 5/16-18
- 11	1012466	1	COVER, DUST
- 12	1014211	1	SEAL BEARING
- 13	1014214	1	RING, RETAINING
- 14	1014125	2	WEDGE
- 15	1014213	2	BEARING ASSEMBLY
- 16	1012528	4	NUT, 8MM X 1-1/4"
- 17	7174	6	LOCKWASHER, 5/16"
- 18	1241	4	FLATWASHER, 5/16"
- 19	8754	4	LOCKNUT, 3/8-16
- 20	334	4	FLATWASHER, 3/8"
- 21	320	4	BOLT, HEX, 3/8-16
- 22	1014126	2	BEARING SEAT
- 23	1012603	1	COLUMN WELD ASSEMBLY
- 24	1014212	1	SPACER
- 25	1014217	1	SPRING
- 26	1012604	1	WASHER
- 27	1012605	1	SNAP RING
- 28	1012830	2	BOLT, HEX, 8MM
- 29	1013861	1	JOINT YOKE COMPOUND STEERING INCLUDES ITEMS 17 AND 28
- 30	1013922	1	PLATE, STEERING MOUNTING
- 31	NO #	1	SHAFT (SEE ITEM 32)
- 32	1012486	1	STEERING COLUMN AND MOUNTING PLATE ASSEMBLY INCLUDES ITEMS 11 THRU 18, 22 THRU 27, 30 AND 31
- 33	1014216	A/R	STEERING COLUMN REBUILT KIT INCLUDES ITEMS 11 THRU 15, 22, 24 AND 25



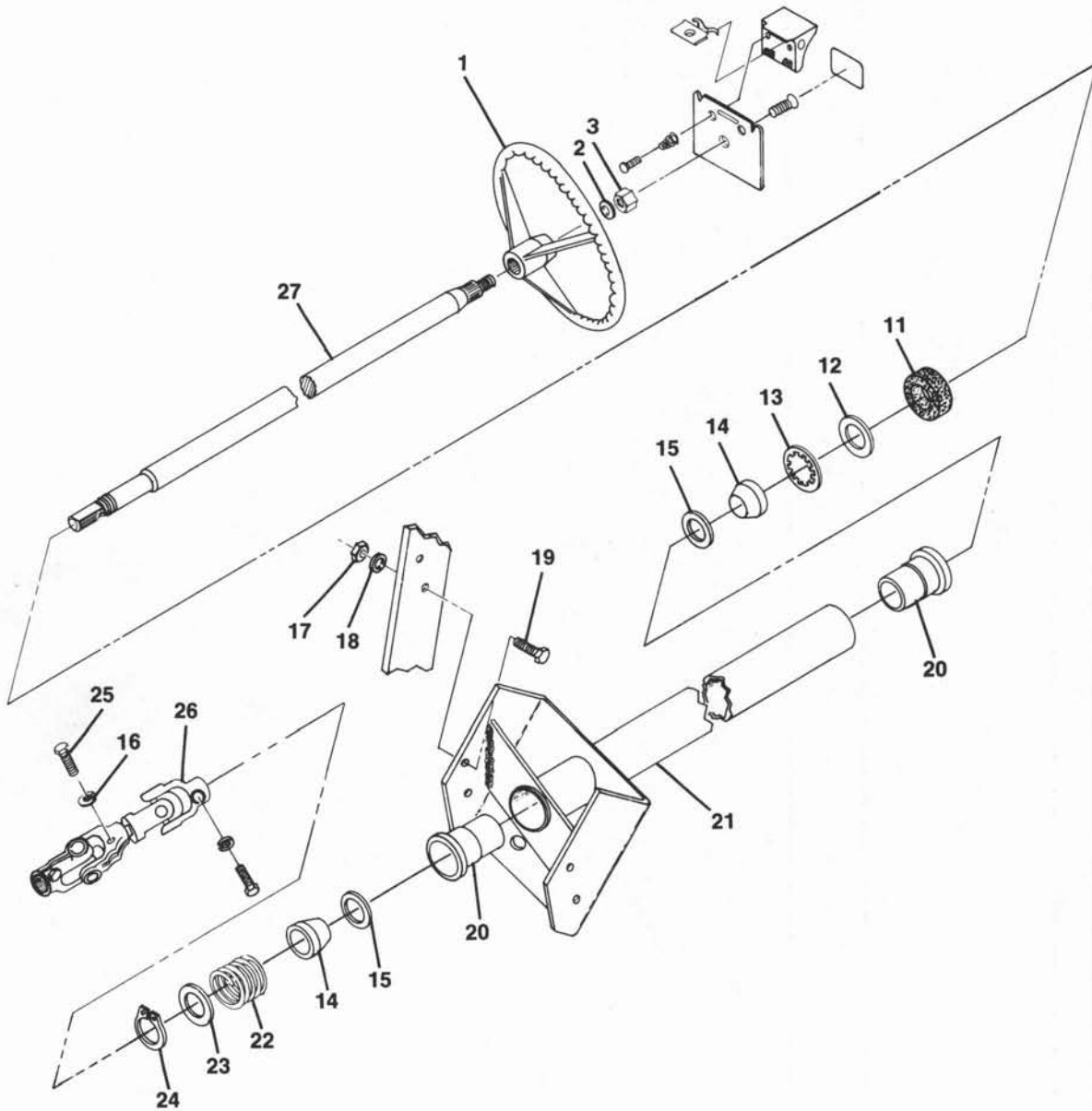


FIGURE 2-1B. STEERING COLUMN ASSEMBLY. SEE LIST 2-1B.

STEERING COLUMN ASSEMBLY

FIGURE- ITEM NUMBER	PART NUMBER	UNITS PER ASM	DESCRIPTION			
			1	2	3	4
1B -	NO #	1	STEERING COLUMN ASSEMBLY FOR ILLUSTRATION, SEE FIGURE 2-1B			
- 1	1012569	1	WHEEL, STEERING			
- 2	1010193	1	FLATWASHER, 5/8"			
- 3	7209	1	NUT, SCORECARD INCLUDES ITEMS 5 THRU 9			
- 4	1013434	1	SCORECARD KIT			
- 5	1012565	2	SCREW, PHILLIPS PAN HEAD, TOPPING			
- 6	1012566	2	SPRING, COMPRESSION			
- 7	1014260	1	CLIP, PENCIL HOLDER			
- 8	1012504	1	PENCIL HOLDER			
- 9	1013389	1	OPERATING INSTRUCTION DECAL			
- 11	1012466	1	COVER, DUST			
- 12	1014211	1	SEAL BEARING			
- 13	1014214	1	RING, RETAINING			
- 14	1014125	2	WEDGE			
- 15	1014213	2	BEARING			
- 16	7174	2	LOCKWASHER, 5/16"			
- 17	8754	4	LOCKNUT, 3/8-16			
- 18	334	4	FLATWASHER, 3/8"			
- 19	320	4	BOLT, HEX, 3/8-16			
- 20	1014126	2	BEARING SEAT			
- 21	1015546	1	STEERING COLUMN AND PLATE ASSEMBLY			
- 22	1014217	1	SPRING			
- 23	1012604	1	WASHER			
- 24	1012605	1	SNAP RING			
- 25	1012830	2	BOLT, HEX, 8MM			
- 26	1013861	1	JOINT YOKE COMPOUND STEERING INCLUDES ITEMS 16 AND 28			
- 27	1015545	1	SHAFT			
- 29	1014216	A/R	COLUMN REBUILD KIT INCLUDES ITEMS 11 THRU 15, 20, 22 AND 24			



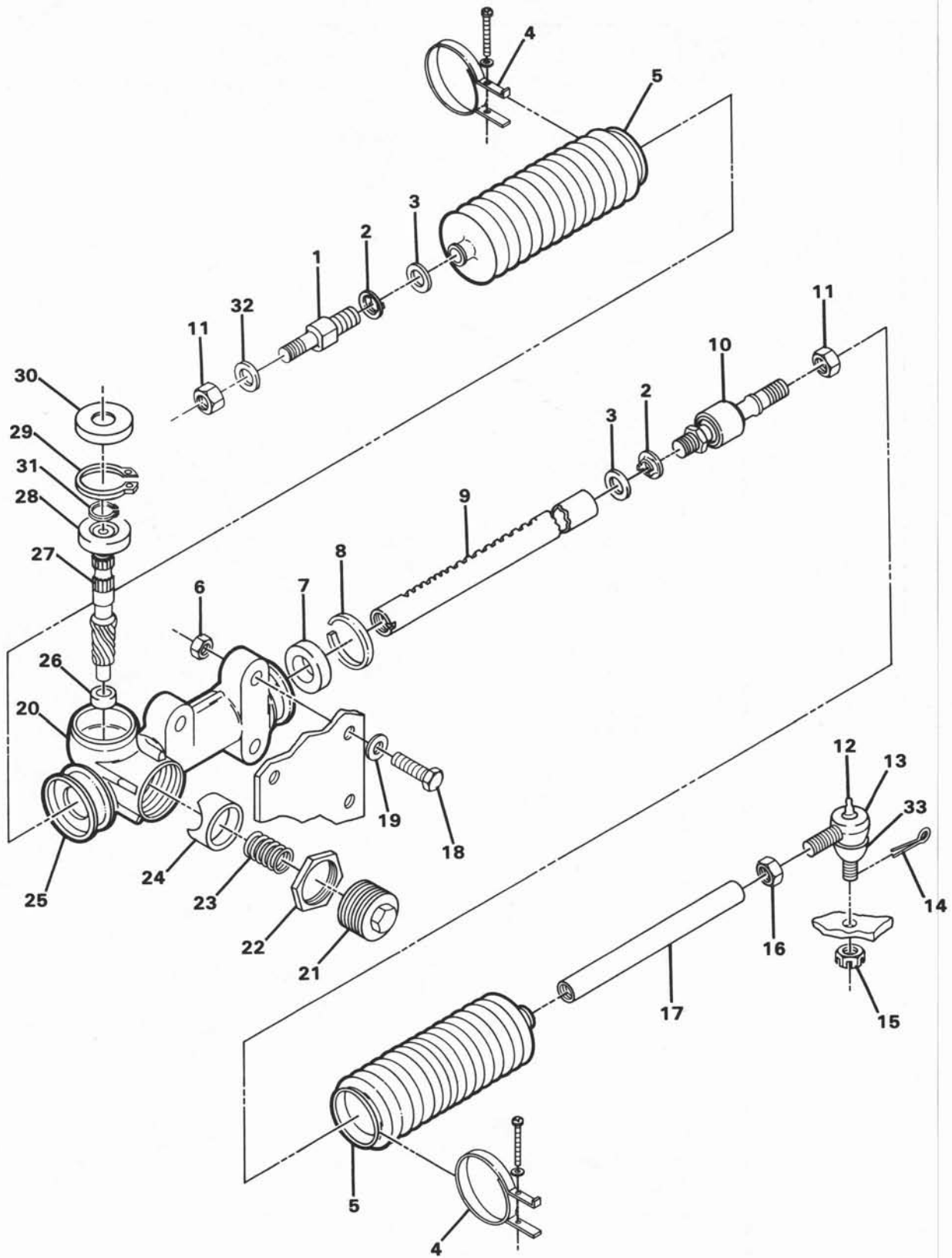


FIGURE 2-2. RACK AND PINION ASSEMBLY. SEE LIST 2-2.

ClubCar®

RACK AND PINION ASSEMBLY

FIGURE- ITEM NUMBER	PART NUMBER	UNITS PER ASM	DESCRIPTION			
			1	2	3	4
2 -	NO #	1	RACK AND PINION ASSEMBLY FOR ILLUSTRATION, SEE FIGURE 2-2			
- 1	1013053	1	BOLT, STOPPER, 12MM			
- 2	1013040	2	LOCKWASHER, TIE ROD			
- 3	1013039	2	WASHER, TIE ROD STOPPER			
- 4	1013034	2	BAND, BELLOWS			
- 5	1013035	2	SEAL, DUST			
- 6	1010138	3	LOCKNUT, 3/8-16			
- 7	1013036	1	BUSHING, RACK			
- 8	1013037	1	RING, SNAP			
- 9	NO #	1	RACK, STEERING (SEE ITEM 20)			
- 10	1013041	1	END, RACK			
- 11	1013042	2	NUT, HEX, 12MM			
- 12	1010116	1	FITTING, GREASE			
- 13	7540	1	SOCKET, VERTICAL, LEFT HAND INCLUDES ITEMS 12, 15 AND 33			
- 14	1035	1	PIN, COTTER			
- 15	7602	1	NUT, HEX, SLOTTED, 3/8-24			
- 16	7555	1	NUT, LEFT HAND, JAM, 1/2-20			
- 17	1012467	1	LINK, DRAG			
- 18	1624	3	BOLT, HEX, 3/8-16			
- 19	334	3	FLATWASHER, 3/8"			
- 20	1012452	1	STEERING GEAR BOX ASSEMBLY INCLUDES ITEMS 1 THRU 5, 7 THRU 11 AND 21 THRU 31			
- 21	1013043	1	SCREW, RACK GUIDE			
- 22	1013044	1	LOCKNUT, RACK SCREW			
- 23	1013045	1	SPRING, RACK GUIDE PRESSURE			
- 24	1013046	1	GUIDE, STEERING RACK			
- 25	1013047	1	BOX, STEERING GEAR			
- 26	1013048	1	BUSHING, PINION			
- 27	NO #	1	PINION, STEERING (SEE ITEM 20)			
- 28	1012884	1	BEARING			
- 29	1013051	1	RING-RETAINING, INTERNAL			
- 30	1013052	1	DUST SEAL, STEERING PINION			
- 31	1013031	1	RING-RETAINING, EXTERNAL			
- 32	1013030	1	WASHER, END			
- 33	1011930	1	DUST SEAL			



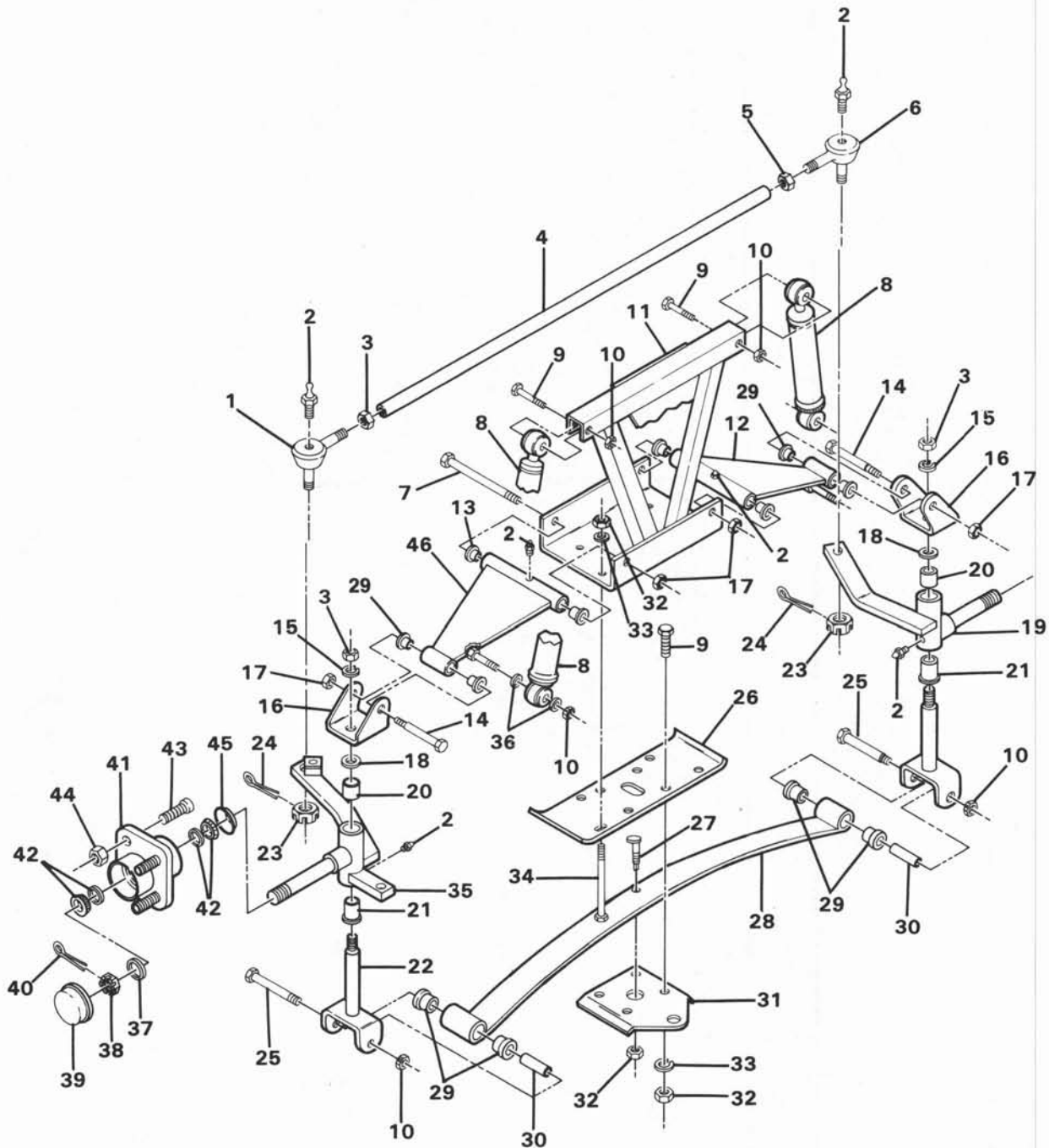


FIGURE 2-3. FRONT SUSPENSION ASSEMBLY. SEE LIST 2-3.



FRONT SUSPENSION ASSEMBLY

FIGURE- ITEM NUMBER	PART NUMBER	UNITS PER ASM	DESCRIPTION			
			1	2	3	4
3 -	NO #	1	FRONT SUSPENSION ASSEMBLY			
			FOR ILLUSTRATION, SEE FIGURE 2-3			
- 1	7539	1	JOINT, RIGHT HAND BALL			
			INCLUDES ITEM 23			
- 2	1015597	4	1/4-28 THREAD FORMING GREASE FITTING			
- 3	1308	3	NUT, 1/2-20 HEX			
- 4	1010219	1	ROD, TIE			
- 5	7555	1	NUT, 1/2-20 LEFT HAND HEX			
- 6	7540	1	JOINT, LEFT HAND BALL			
			INCLUDES ITEM 23			
- 7	1010126	2	BOLT, 3/8-16 SHOULDER HEX			
- 8	1014235	2	ABSORBER, SHOCK			
- 9	1624	6	BOLT, 3/8-16 HEX			
- 10	1010138	6	LOCKNUT, 3/8-16			
- 11	1012496	1	SHOCK SUPPORT WELD ASSEMBLY			
- 12	1015589	1	"A" PLATE SUBASSEMBLY (LEFT HAND)			
			INCLUDES ITEMS 2 AND 13 AND 29			
- 13	7719	4	BUSHING, BRONZE			
- 14	1010125	2	BOLT, 3/8-16 SHOULDER HEX			
- 15	209	2	LOCKWASHER, 1/2"			
- 16	1010117	2	CLEVIS, UPPER			
- 17	8754	4	LOCKNUT, 3/8-16 NYLON			
- 18	1010150	2	WASHER, THRUST			
- 19	1010348	1	SPINDLE LEFT HAND ASSEMBLY			
			INCLUDES ITEMS 2, 20, AND 21			
- 20	8067	2	BUSHING, SPINDLE			
- 21	7048	2	BUSHING, 3/4" BRONZE			
- 22	1010121	2	KING PIN ASSEMBLY			
- 23	7602	2	NUT, 3/8-24 SLOTTED HEX			
- 24	1035	2	PIN, COTTER 3/32 X 1"			
- 25	8755	2	BOLT, 3/8-16 HEX			
- 26	1010124	1	PLATE, FRONT SPRING MOUNTING			
- 27	8745	1	ADJUSTER, FRONT SPRING ECCENTRIC			
- 28	1013867	1	SPRING, FRONT			
			INCLUDES ITEMS 27 AND 32			
- 29	1015583	8	BUSHING, URETHANE			
- 30	1012303	2	BUSHING, 3/8" STEEL			
- 31	1014276	1	PLATE, FRONT SPRING RETAINER			
- 32	706	9	NUT, 3/8-16 HEX			
- 33	357	8	LOCKWASHER, 3/8"			
- 34	1010200	4	BOLT, 3/8-16			
- 35	1010347	1	SPINDLE RIGHT HAND ASSEMBLY			
			INCLUDES ITEMS 2, 20 AND 21			
- 36	334	4	FLATWASHER, 3/8"			
- 37	1010005	2	FLATWASHER, SPECIAL			
- 38	7840	2	NUT, 3/4-16 SLOTTED HEX			
- 39	1011887	2	COVER, DUST			
- 40	7910	2	PIN, COTTER 5/32 X 1"			
- 41	1011894	2	HUB ASSEMBLY			
			INCLUDES ITEMS 42 AND 43			
- 42	1011393	4	BEARING, HUB PACKAGE (2 PIECES)			
- 43	1011304	8	STUD, LUG			
- 44	1011390	8	NUT, LUG			
- 45	1013135	2	SEAL, DUST			
- 46	1015586	1	"A" PLATE ASSEMBLY, RIGHT HAND			
			INCLUDES ITEMS 2, 13 AND 29			



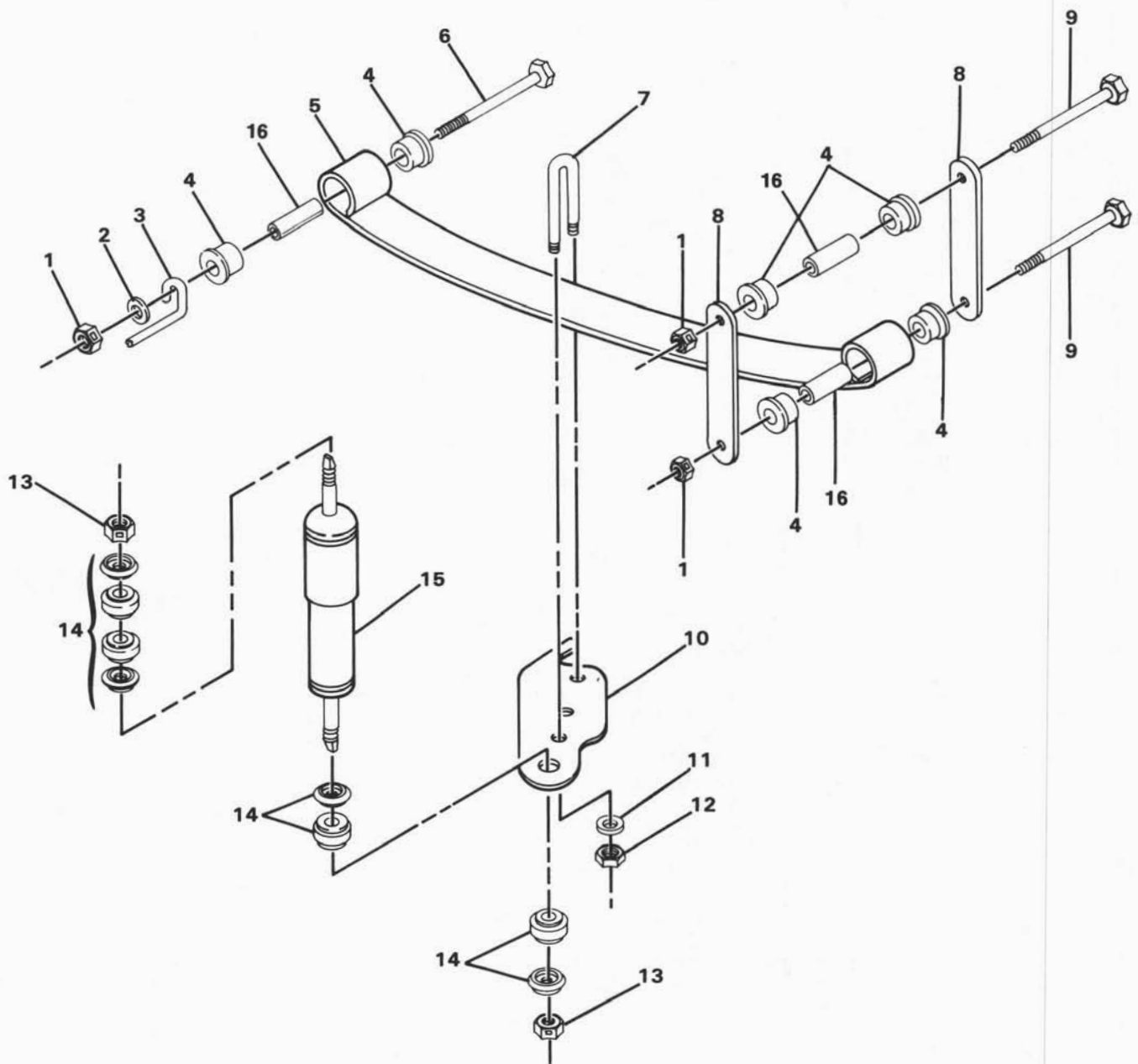


FIGURE 2-4. REAR SUSPENSION ASSEMBLY. SEE LIST 2-4.

REAR SUSPENSION ASSEMBLY

FIGURE- ITEM NUMBER	PART NUMBER	UNITS PER ASM	DESCRIPTION			
			1	2	3	4
4 -	NO #	1	REAR SUSPENSION ASSEMBLY FOR ILLUSTRATION, SEE FIGURE 2-4			
- 1	1010138	6	DIMPLED LOCKNUT, 3/8-16 UNC			
- 2	334	2	FLATWASHER, 3/8"			
- 3	1011206	1	BRAKE CABLE SUPPORT			
- 4	1015583	12	URETHANE BUSHING			
- 5	1010974	2	REAR SPRING			
- 6	7228	2	BOLT, HEX, 3/8-16 UNC X 3-3/4"			
- 7	1012180	2	"U" BOLT			
- 8	7569	4	REAR SPRING SHACKLE			
- 9	8755	4	BOLT, HEX, 3/8-16 UNC X 3-3/8"			
- 10	1012181	1	SHOCK MOUNT, RIGHT HAND			
- 10	1012182	1	SHOCK MOUNT, LEFT HAND			
- 11	720	4	LOCKWASHER, 7/16"			
- 12	8938	4	NUT, HEX, 7/16-14 UNC			
- 13	1010145	4	NUT, HEX, 3/8-24 UNC			
- 14	1011415	4	SHOCK ABSORBER CUSHION KIT			
- 15	1013164	1	SHOCK ABSORBER KIT INCLUDES ITEMS 14(4) AND 15(2)			
- 16	1012303	6	STEEL BUSHING			



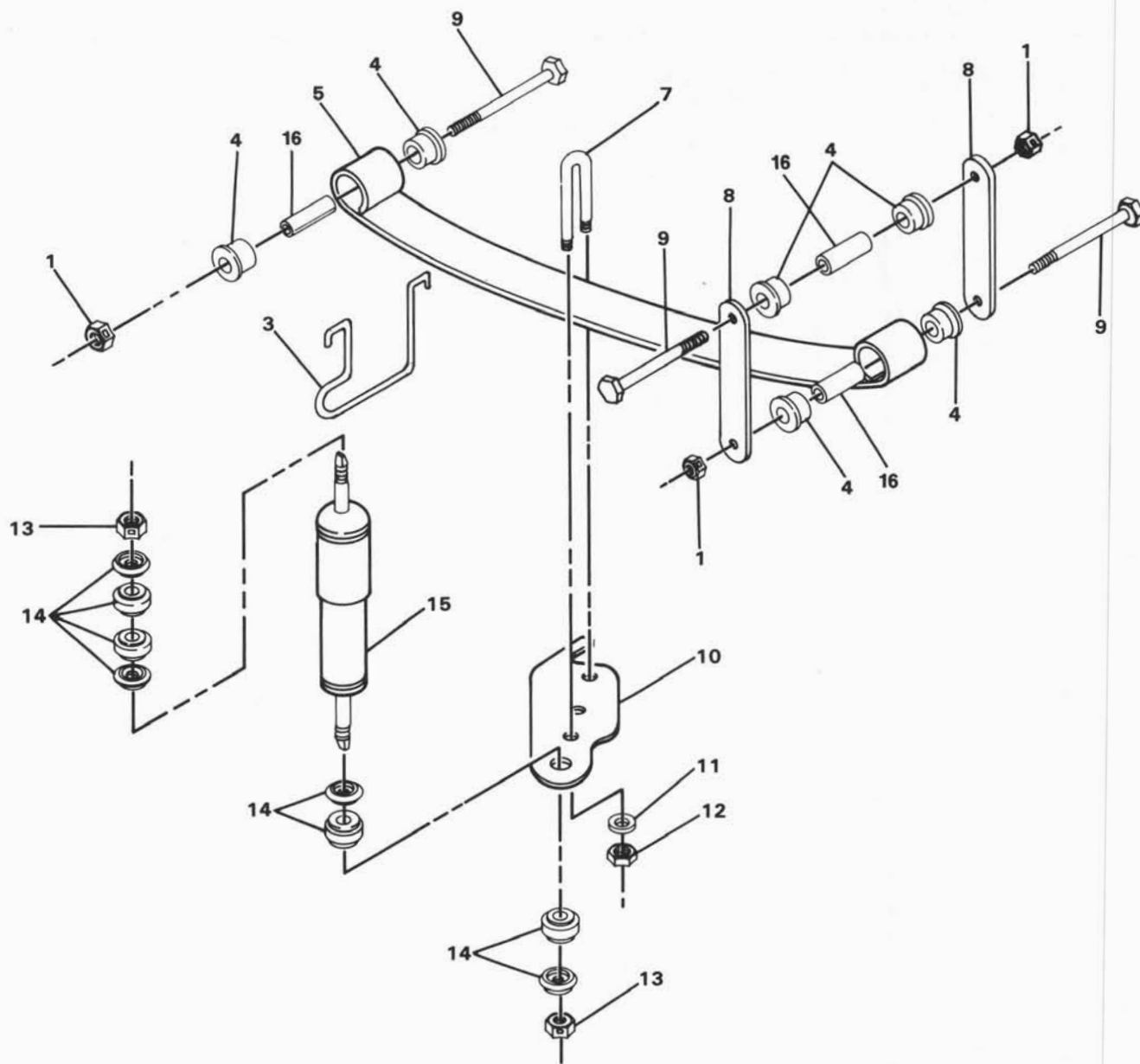
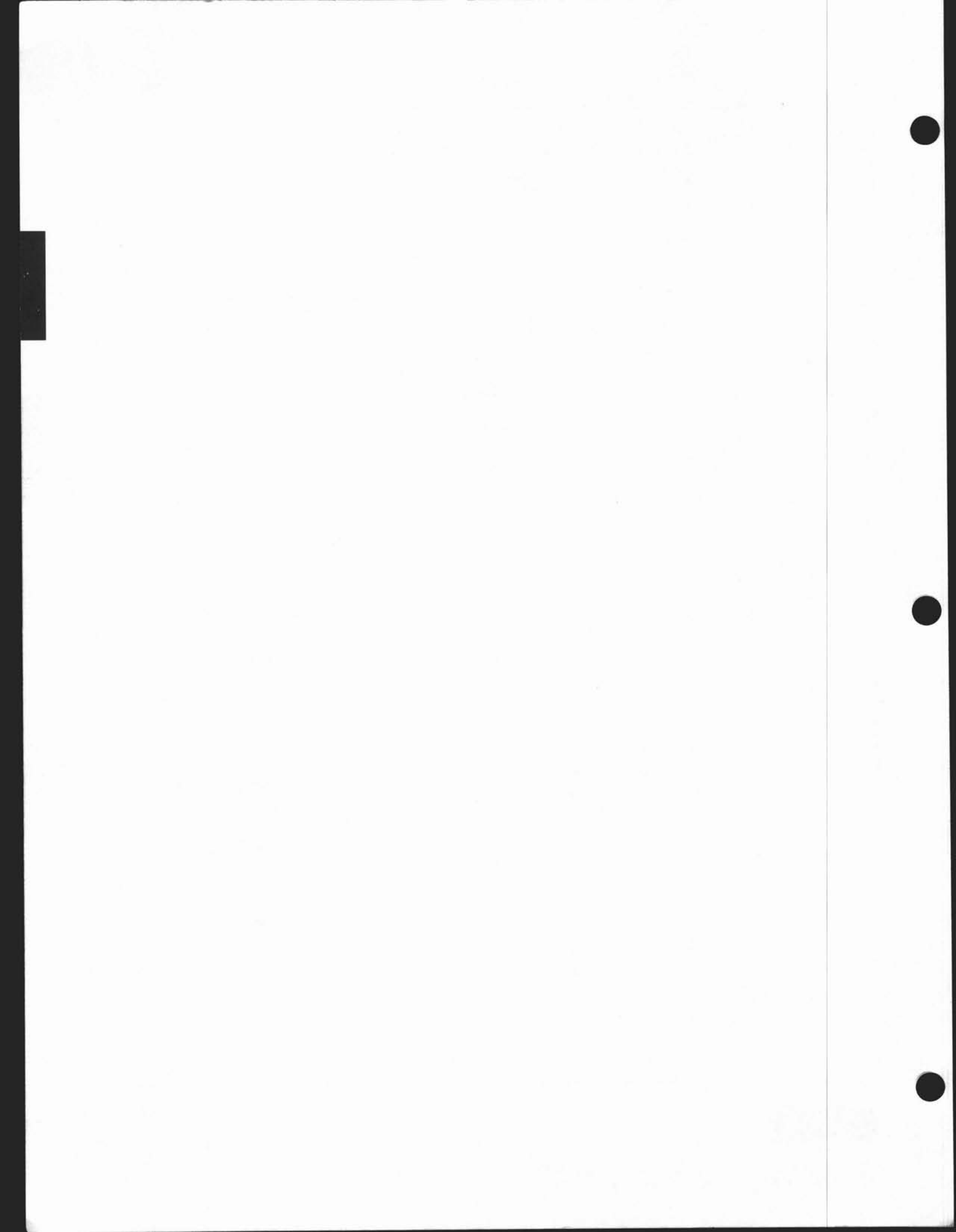


FIGURE 2-4A. REAR SUSPENSION ASSEMBLY. SEE LIST 2-4A.

REAR SUSPENSION ASSEMBLY

FIGURE- ITEM NUMBER	PART NUMBER	UNITS PER ASM	DESCRIPTION
4A -	NO #	1	REAR SUSPENSION ASSEMBLY FOR ILLUSTRATION, SEE FIGURE 2-4A
- 1	1010138	6	DIMPLED LOCKNUT, 3/8-16 UNC
- 3	1013207	2	BRAKE CABLE SUPPORT
- 4	1015583	12	URETHANE BUSHING
- 5	1010974	2	REAR SPRING
- 7	1012180	2	"U" BOLT
- 8	7569	4	REAR SPRING SHACKLE
- 9	8755	6	BOLT, HEX, 3/8-16 UNC X 3-3/8"
- 10	1012181	1	SHOCK MOUNT, LEFT HAND
- 10	1012182	1	SHOCK MOUNT, RIGHT HAND
- 11	720	4	LOCKWASHER, 7/16"
- 12	8938	4	NUT, HEX, 7/16-14 UNC
- 13	1010145	4	NUT, HEX, 3/8-24 UNC
- 14	1011415	4	SHOCK ABSORBER CUSHION KIT
- 15	1013164	1	SHOCK ABSORBER KIT INCLUDES ITEMS 14(4) AND 15(2)
- 16	1012303	6	STEEL BUSHING





Section III

POWER TRAIN GROUP

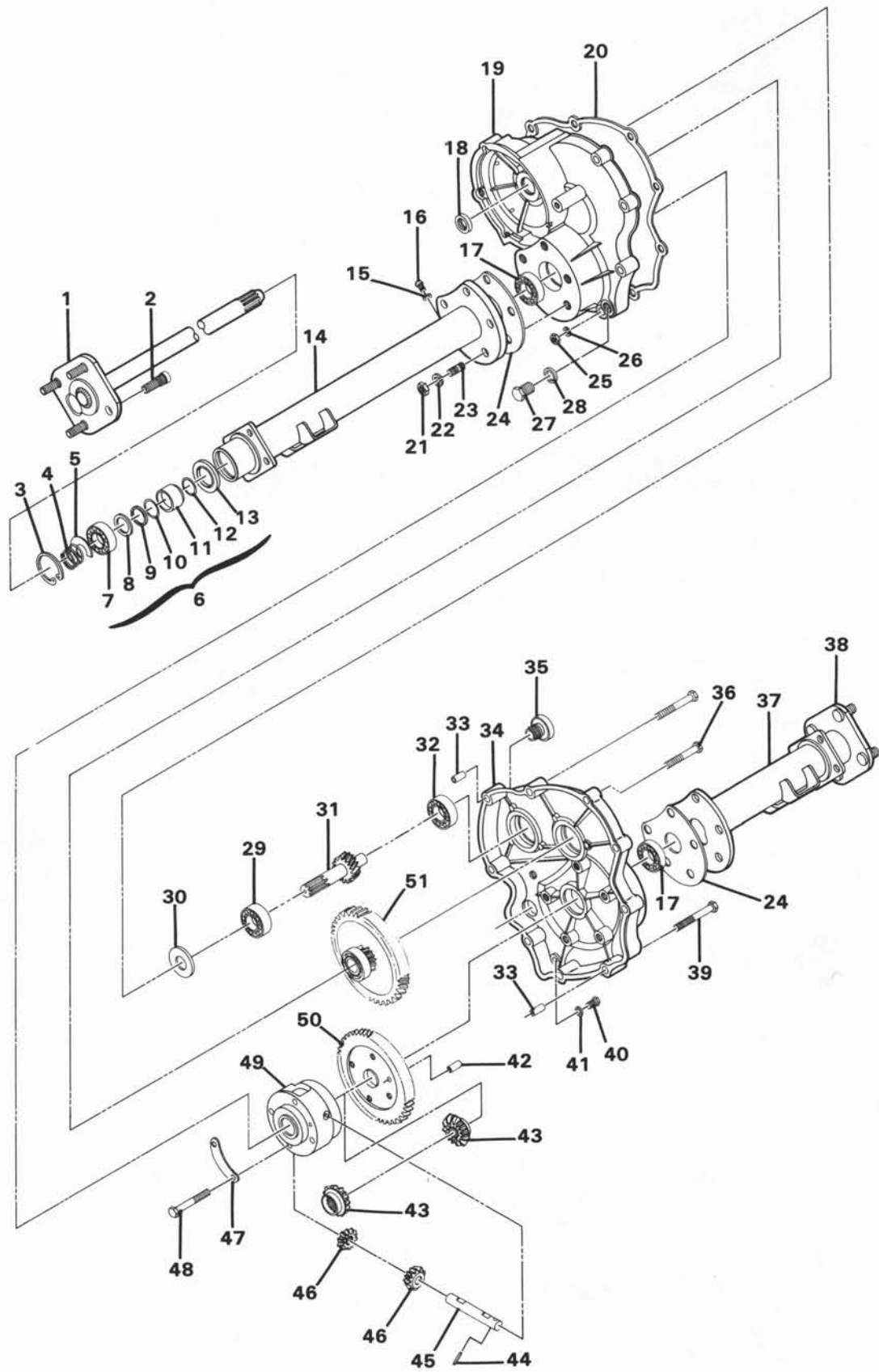


FIGURE 3-1. DRIVE UNIT. SEE LIST 3-1.

DRIVE UNIT

FIGURE- ITEM NUMBER	PART NUMBER	UNITS PER ASM	DESCRIPTION			
			1	2	3	4
1 -	NO #	1	DRIVE UNIT COMPLETE INCLUDES ITEMS 1-51 FOR ILLUSTRATION, SEE FIGURE 3-1			
- 1	1014480	1	RIGHT HAND AXLE SHAFT ASSEMBLY INCLUDES ITEMS 2, 3, 4, 7 THRU 12			
- 2	1011304	8	AXLE FLANGE STUD			
- 3	1012670	2	SNAP RING			
- 4	1012676	2	COIL SPRING			
- 5	1012671	A/R	SHIM, .020 THICK			
- 5	1012573	A/R	SHIM, .012 THICK			
- 6	1012689	1	AXLE BEARING KIT INCLUDES ITEMS 7 THRU 13			
- 7	1011291	2	BALL BEARING, DOUBLE SEAL			
- 8	1012678	2	WASHER			
- 9	1012672	2	WASHER, SLEEVE			
- 10	1012673	2	O-RING			
- 11	1012674	2	SLEEVE			
- 12	1012675	2	STOPPER RING			
- 13	1012683	2	OIL SEAL			
- 14	1012680	1	RIGHT HAND AXLE TUBE			
- 15	1012682	1	SEAL WASHER			
- 16	1012681	1	BREATHER PLUG			
- 17	7336	2	BALL BEARING			
- 18	1012665	1	OIL SEAL			
- 19	1012660	1	RIGHT HAND HOUSING			
- 20	NO #	1	HOUSING GASKET			
- 21	1012708	10	NUT, 10MM HEX			
- 22	1012700	10	LOCKWASHER, 10MM			
- 23	1012661	10	STUD, 10MM			
- 24	1012684	2	AXLE TUBE GASKET			
- 25	1012528	6	NUT, 8MM HEX			
- 26	7174	9	LOCKWASHER, 5/16"			
- 27	1012666	1	DRAIN PLUG			
- 28	1012667	1	GASKET, DRAIN PLUG			
- 29	7335	1	BALL BEARING			
- 30	1012688	1	SHIM, INPUT SHAFT			
- 31	1012707	1	INPUT SHAFT AND GEAR			
- 32	1012687	1	BALL BEARING			
- 33	1012704	2	PARALLEL PIPE PIN			
- 34	1012659	1	LEFT HAND HOUSING			
- 35	1012664	1	RUBBER PLUG			
- 36	1012705	4	BOLT, 8MM x 50MM HEX			
- 37	1012679	1	LEFT HAND AXLE TUBE			
- 38	1014481	1	LEFT HAND AXLE SHAFT ASSEMBLY INCLUDES ITEMS 2, 3, 4, 7 THRU 12			
- 39	1012706	6	BOLT, 8MM x 60MM HEX			
- 40	1012662	1	LEVEL PLUG			
- 41	1012663	1	GASKET, LEVEL PLUG			
- 42	1012701	1	PARALLEL PIN			
- 43	1012696	2	DIFFERENTIAL SIDE GEAR			
- 44	1012702	1	SPRING PIN			
- 45	1012697	1	PINION MATE SHAFT			
- 46	1012695	2	DIFFERENTIAL PINION GEAR			
- 47	1012699	2	TAB, LOCKING			
- 48	1012570	4	8MM x 55MM CARRIER BOLT			
- 49	1012698	1	DIFFERENTIAL CASE			
- 50	1012694	1	OUTPUT GEAR			
- 51	NO #	1	INTERMEDIATE GEAR ASSEMBLY			



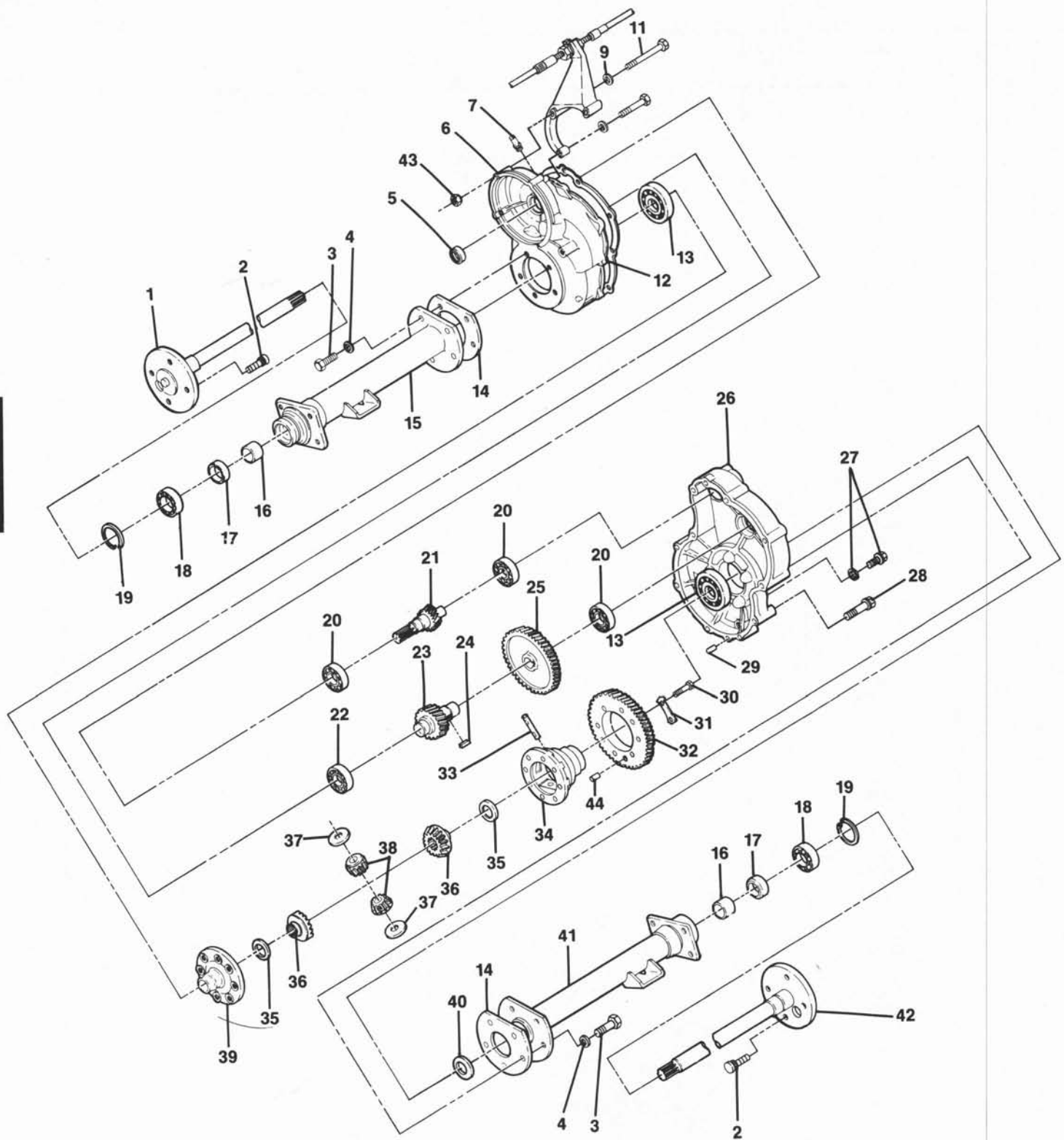


FIGURE 3-1A. DRIVE UNIT. SEE LIST 3-1A.

Terrial Diff 70 thru 83
Fuji Diff 84 to 8611

DRIVE UNIT

FIGURE- ITEM NUMBER	PART NUMBER	UNITS PER ASM	DESCRIPTION
			1 2 3 4
1A -	1013664	1	DRIVE UNIT INCLUDES ALL ITEMS EXCEPT 8, 9, 10, 11 & 43 FOR ILLUSTRATION, SEE FIGURE 3-1A
- 1	1013785	1	AXLE ASSEMBLY, RIGHT INCLUDES ITEMS 2, 16, 18 AND 19
- 2	1013787	8	LUG STUD
- 3	1013790	10	BOLT (10 X 30)
- 4	1013791	10	LOCKWASHER
- 5	1013775	1	INPUT SHAFT OIL SEAL
- 6	1013756	1	GEAR CASE — RIGHT HAND
- 7	1012711	1	BREATHER PLUG
- 9	451	6	1/4" LOCKWASHER
-11	7311	3	1/4-20 X 2" HEX BOLT
-12	1013758	1	GASKET
-13	7330	2	BEARING — BALL
-14	1013789	2	GASKET — AXLE TUBE
-15	1013783	1	AXLE TUBE ASSEMBLY — RIGHT HAND (FOR DRIVE UNIT SERIAL NO. 6100217 AND EARLIER)
-15A	1014209	1	AXLE TUBE ASSEMBLY — RIGHT HAND (FOR DRIVE UNIT SERIAL NO. 6100218 AND LATER)
-16	1013788	2	BUSHING (FOR DRIVE UNIT SERIAL NO. 6071277 AND EARLIER)
-16A	1014207	1	BUSHING WITH GROOVE IN END (FOR DRIVE UNIT SERIAL NO. 6071278 AND LATER)
-17	1013794	2	AXLE SHAFT OIL SEAL
-18	1011291	2	OUTER AXLE TUBE BEARING
-19	1013792	2	CIRCLIP, TYPE-C
-20	7335	3	INPUT GEAR BEARING
-21	1013764	1	SHAFT, INPUT
-22	7336	1	INTERMEDIATE GEAR BEARING
-23	1013766	1	INTERMEDIATE GEAR — SMALL
-24	1013780	1	KEY, SUNK
-25	1013765	1	INTERMEDIATE GEAR — LARGE
-26	1013757	1	GEAR CASE — LEFT HAND
-27	1013759	2	FILL PLUG WITH GASKET
-28	1013763	10	BOLT (6 X 50)
-29	1012710	2	PIN, DOWEL
-30	1013779	8	BOLT (8 X 37)
-31	1013782	4	PLATE, LOCK
-32	1013767	1	OUTPUT GEAR
-33	1013772	1	DIFFERENTIAL PIN
-34	1013768	1	DIFFERENTIAL GEAR CASE — LEFT HAND
-35	1013773	2	PLATE, THRUST (DIFFERENTIAL GEAR)
-36	1013771	2	DIFFERENTIAL GEAR
-37	1013774	2	PLATE, THRUST (IDLER GEAR)
-38	1013770	2	DIFFERENTIAL IDLER GEAR
-39	1013769	1	DIFFERENTIAL GEAR CASE — RIGHT HAND
-40	1013781	A/R	SHIM
-41	1013784	1	AXLE TUBE ASSEMBLY — LEFT HAND (FOR DRIVE UNIT SERIAL NO. 6100217 AND EARLIER)
-41A	1014210	1	AXLE TUBE ASSEMBLY — LEFT HAND (FOR DRIVE UNIT SERIAL NO. 6100218 AND LATER)
-42	1013786	1	AXLE ASSEMBLY, LEFT INCLUDES ITEMS 2, 16, 18 AND 19
-43	8233	3	1/4-20 NYLON LOCKNUT
-44	1014193	1	PIN, DOWEL



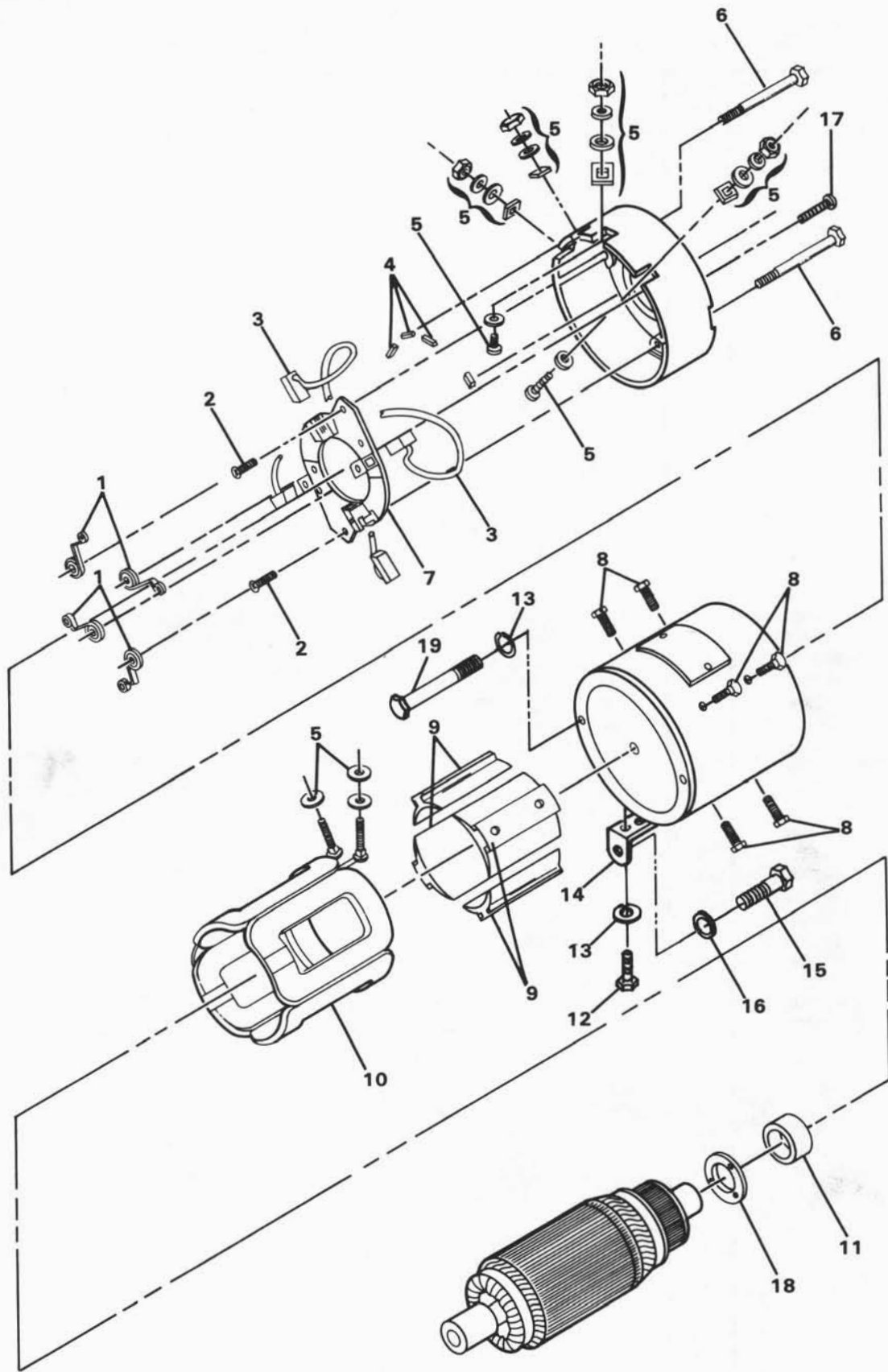


FIGURE 3-2. MOTOR ASSEMBLY FOR CLUB CAR MODELS 1012191 AND 1012653. SEE LIST 3-2.

ClubCar®

DS ELECTRIC

MOTOR ASSEMBLY FOR CLUB CAR MODELS 1012191 AND 1012653

FIGURE- ITEM NUMBER	PART NUMBER	UNITS PER ASM	DESCRIPTION
			1 2 3 4
2 -	1012191	1	MOTOR ASSEMBLY COMPLETE
	1014678	1	FOR ILLUSTRATION, SEE FIGURE 3-2
- 1	1011411	1	BRUSH SPRING PACKAGE (4 PIECES)
- 2	1011283	2	SCREW, BRUSH RIGGING
- 3	1011410	1	BRUSH PACKAGE (4 PIECES)
- 4	1011409	2	RUBBER GASKET PACKAGE (4 PIECES)
- 5	1011407	4	HARDWARE KIT
- 6	1011275	2	MOTOR CLAMP SCREW (CE)
- 7	1011284	1	BRUSH RIGGING
- 8	1011412	1	SCREW, POLE PIECE PACKAGE (8 PIECES)
- 9	1011413	1	FIELD POLE PIECE PACKAGE (4 PIECES)
- 10	1011288	1	FIELD COILS, MODEL 1012191
- 10	1011289	1	FIELD COILS, MODEL 1012653
- 11	1011290	1	BALL BEARING, DOUBLE SHIELD
- 12	7847	2	BOLT, HEX HEAD, 1/4-20 X 3/4"
- 13	451	5	LOCKWASHER, 1/4"
- 14	1012177	1	MOTOR/AXLE CLIP
- 15	1010934	1	BOLT, HEX HEAD, 5/16-18 X 1"
- 16	7174	1	LOCKWASHER, 5/16"
- 17	1013893	3	SCREW, PAN HEAD, #8-32
- 18	1013894	1	RETAINER-BEARING
- 19	1014201	3	BOLT, HEX, 1/4-20 X 2-1/4"



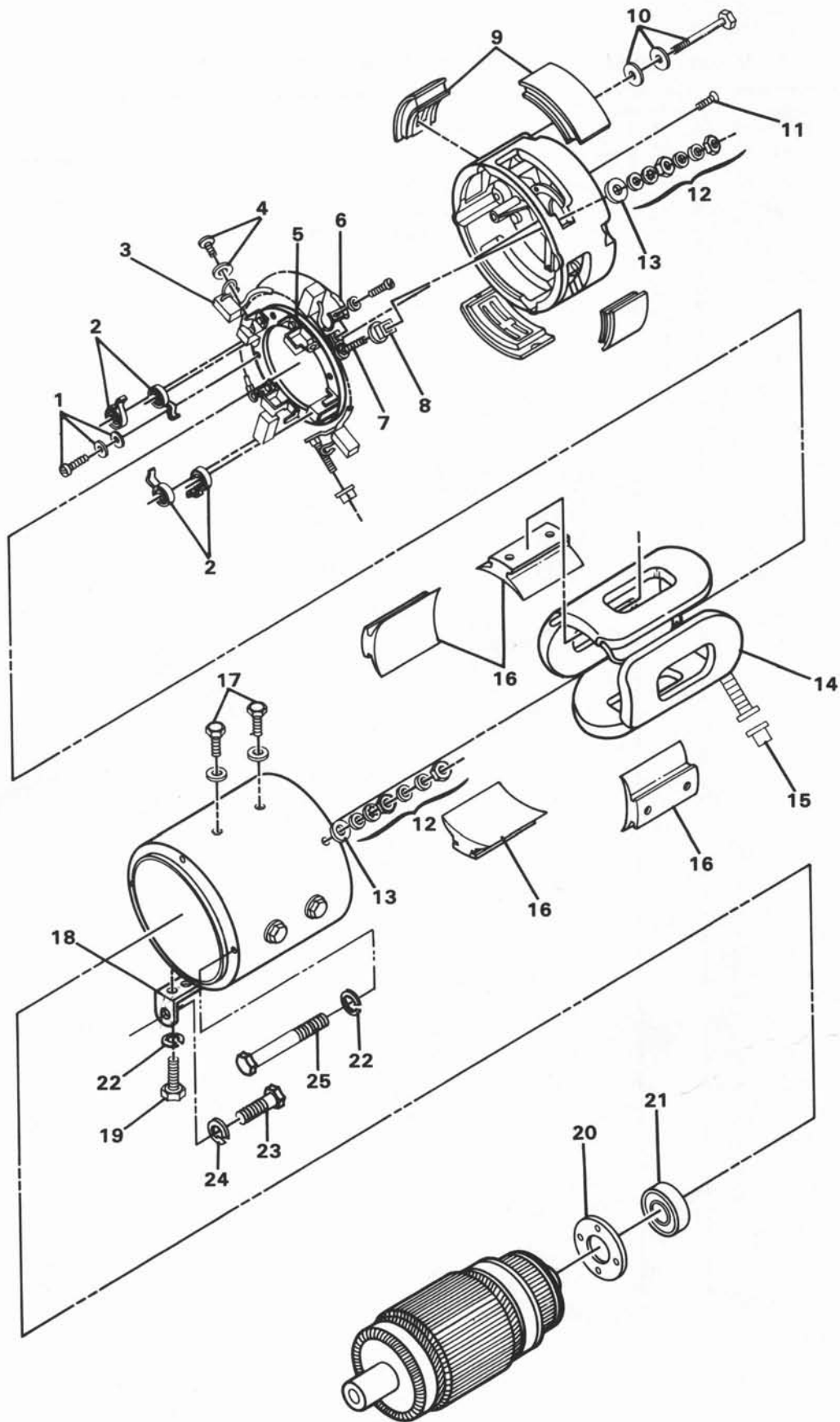
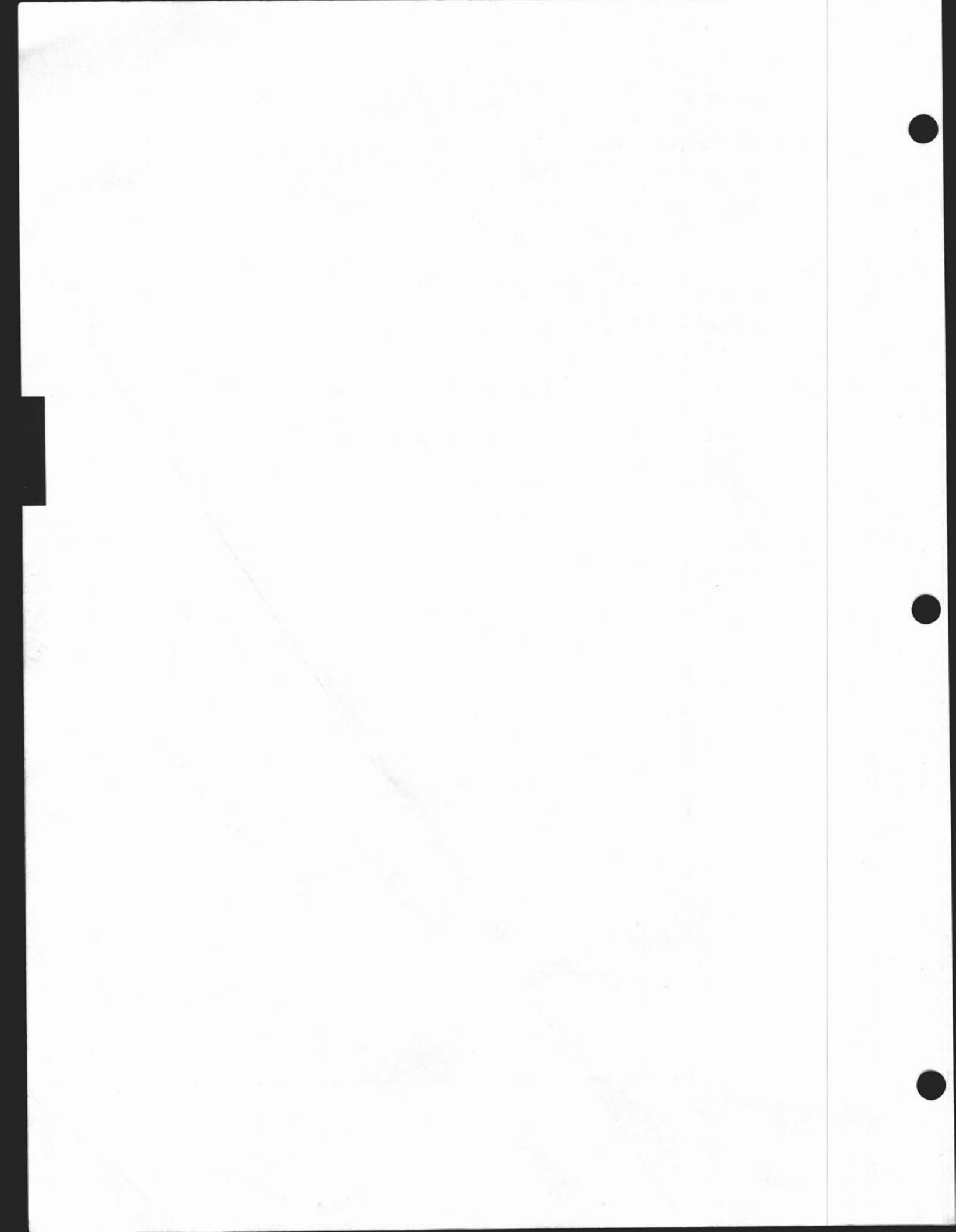


FIGURE 3-3. MOTOR ASSEMBLY FOR CLUB CAR MODEL 1012190. SEE LIST 3-3.

MOTOR ASSEMBLY FOR CLUB CAR MODEL 1012190

FIGURE- ITEM NUMBER	PART NUMBER	UNITS PER ASM	DESCRIPTION
			1 2 3 4
3 -	NO #		MOTOR ASSEMBLY COMPLETE
			FOR ILLUSTRATION, SEE FIGURE 3-3
- 1	1011335	4	BRUSH HOLDER ASSEMBLY SCREW
- 2	1011420	1	BRUSH SPRING PACKAGE (4 PIECES)
- 3	1011424	1	BRUSH PACKAGE (4 PIECES)
- 4	1011333	4	BRUSH SCREW
- 5	1011326	1	BRUSH HOLDER ASSEMBLY
- 6	1011421	1	JUMPER WIRE PACKAGE (2 PIECES)
- 7	1011324	2	TERMINAL BOLT
- 8	1011323	2	INSULATING TUBE
- 9	1011334	4	BRUSH COVER
- 10	1011321	4	BRACKET BOLT, (B)
- 11	1011322	4	SCREW, BEARING RETAINER
- 12	1011347	4	TERMINAL KIT
- 13	1011320	4	INSULATING WASHER
- 14	1011328	1	FIELD COIL
- 15	1011327	2	INSULATING TUBE
- 16	1011423	1	POLE PIECE PACKAGE (4 PIECES)
- 17	1011422	1	POLE PIECE BOLT PACKAGE (8 PIECES)
- 18	1012177	1	MOTOR/AXLE CLIP
- 19	7847	3	BOLT, HEX HEAD, 1/4-20 X 3/4"
- 20	1011318	1	BEARING RETAINER
- 21	1011319	1	BALL BEARING, DOUBLE SHIELD
- 22	451	5	LOCKWASHER, 1/4"
- 23	1010934	1	BOLT, HEX HEAD, 5/16-18 X 1"
- 24	7174	1	LOCKWASHER, 5/16"
- 25	1014201	3	BOLT, HEX HEAD, 1/4-20 X 2-1/4"





Section IV

BRAKE SYSTEM AND PEDAL GROUP

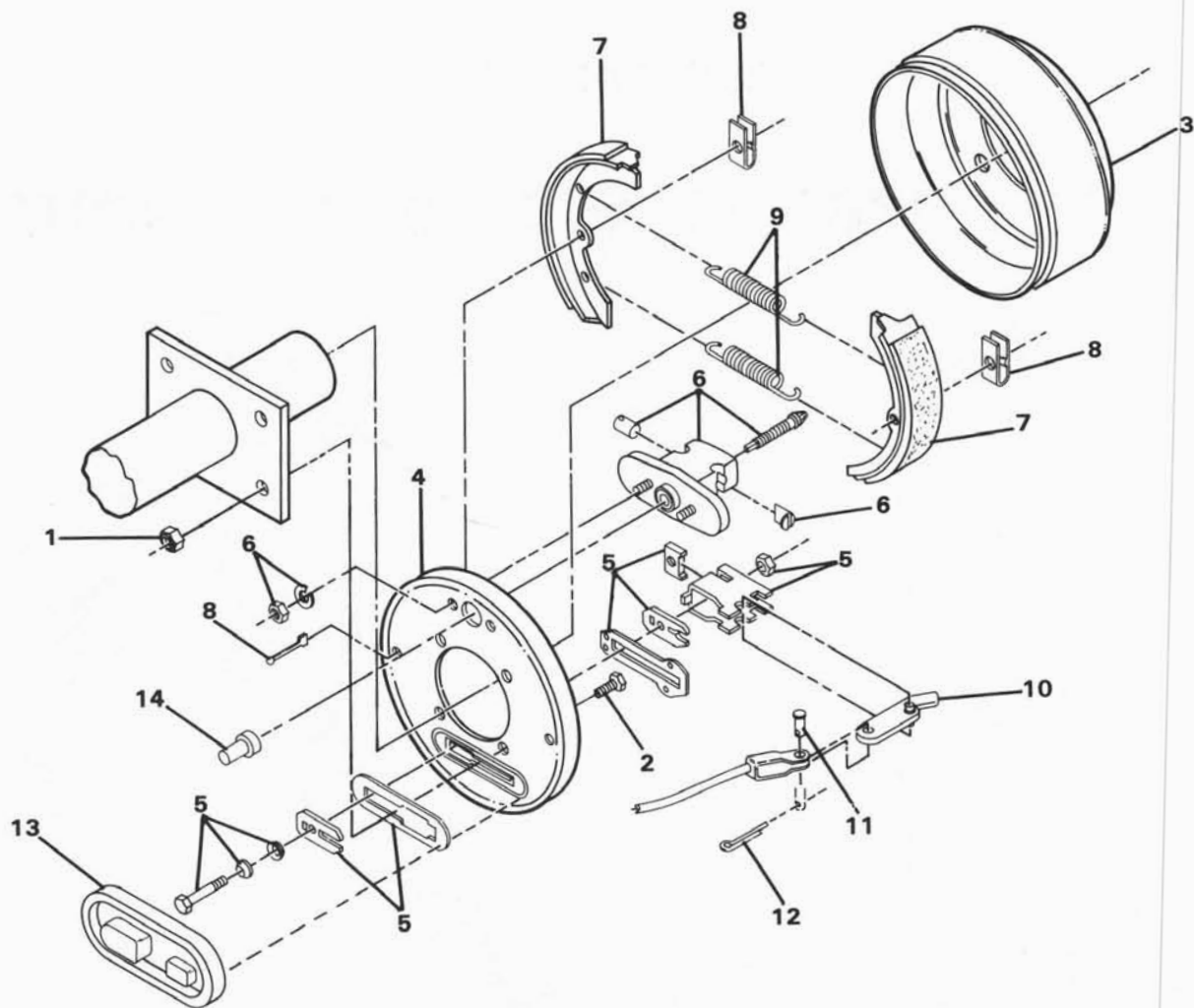


FIGURE 4-1. BRAKE CLUSTER, RIGHT HAND AND LEFT HAND. SEE LIST 4-1.



BRAKE CLUSTER, RIGHT HAND AND LEFT HAND

FIGURE- ITEM NUMBER	PART NUMBER	UNITS PER ASM	DESCRIPTION			
			1	2	3	4
1 -	1011145	1	RIGHT HAND BRAKE CLUSTER COMPLETE INCLUDES ITEMS 4 THRU 14			
	1011146	1	LEFT HAND BRAKE CLUSTER COMPLETE INCLUDES ITEMS 4 THRU 14 FOR ILLUSTRATION SEE FIGURE 4-1			
- 1	1013924	8	LOCKNUT, 5/16-24, GRADE 8			
- 2	1013923	8	BOLT, HEX HEAD, 5/16-24, GRADE 8 (FOR CARS WITH DRIVE UNIT SERIAL NO. 6100217 AND EARLIER)			
- 2	1014153	8	BOLT, BRAKE CLUSTER MOUNTING (FOR CARS WITH DRIVE UNIT SERIAL NO. 6100218 AND LATER)			
- 3	1011137	2	DRUM, BRAKE			
- 4	1011494	1	PLATE BACKING, LEFT HAND			
- 4	1011154	1	PLATE BACKING, RIGHT HAND			
- 5	1011465	1	BRAKE ACTUATOR KIT			
- 6	1011467	1	ANCHOR BODY KIT INCLUDES ITEM 16			
- 7	1011463	1	BRAKE SHOE PACKAGE (4 PIECES)			
- 8	1011466	1	SHOE RETAINER KIT			
- 9	1011464	1	BRAKE SPRING PACKAGE			
- 10	1011297	2	ARM, BRAKE LEVER			
- 11	1010829	2	PIN, 5/16" CLEVIS			
- 12	1035	2	PIN, COTTER			
- 13	1010850	2	COVER, DUST			
- 14	1011303	2	CAP, ADJUSTMENT BOLT			



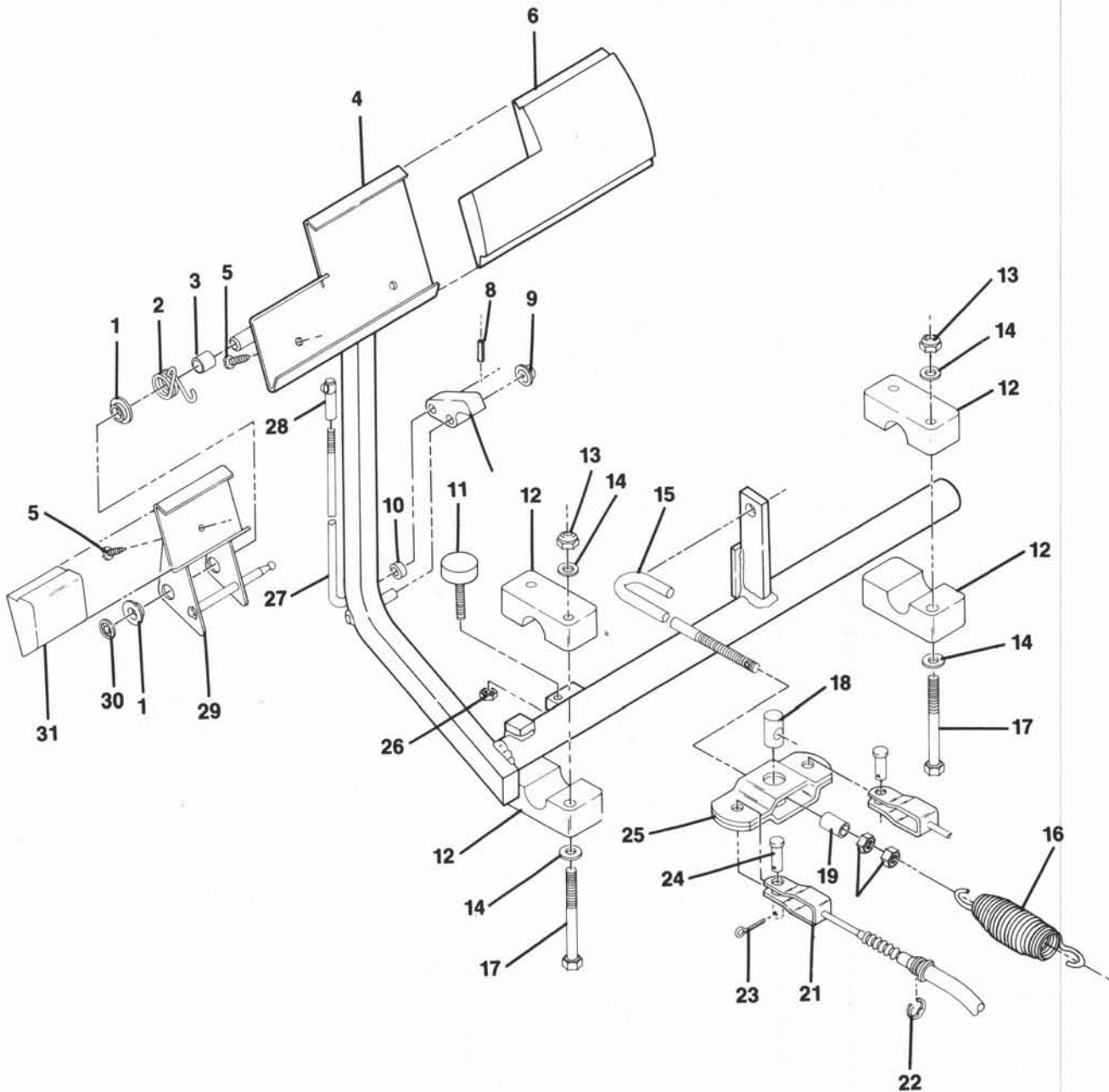


FIGURE 4-2. BRAKE PEDAL AND CABLE ASSEMBLY. SEE LIST 4-2.

BRAKE PEDAL AND CABLE ASSEMBLY

FIGURE-ITEM NUMBER	PART NUMBER	UNITS PER ASM	DESCRIPTION
2 -	NO #	1	BRAKE PEDAL AND CABLE ASSEMBLY FOR ILLUSTRATION SEE FIGURE 4-2
- 1	1032	2	NYLON BUSHING
- 2	1010933	1	TORSION SPRING
- 3	1010927	1	HILL BRAKE SPACER
- 4	1011406	1	BRAKE PEDAL KIT INCLUDES ITEMS 5 AND 6
- 5	7716	5	SCREW, #10-16 SHEET METAL
- 6	1013869	1	BRAKE PEDAL PAD
- 7	1016173	1	HILL BRAKE ROD AND PAWL KIT INCLUDES ITEMS 8, 9, 10, AND 27
- 8	NO #	1	ROLL PIN
- 9	NO #	1	NUT, 5/16" PUSH
- 10	NO #	1	HILL BRAKE ROD SLEEVE
- 11	1010878	1	BRAKE STOP
- 12	1011402	1	BRAKE MOUNTING BLOCK PACKAGE (4 PIECES)
- 13	7473	4	NUT, 5/16-18 NYLON LOCK
- 14	1241	8	WASHER, 5/16" FLAT
- 15	1010808	1	EQUALIZER ROD
- 16	1013531	1	SPRING, BRAKE RETURN
- 17	1010921	4	BOLT, 5/16-18 HEX
- 18	1010814	1	PIN, EQUALIZER PIVOT
- 19	1013855	1	SPACER EQUALIZER
- 20	1242	2	NUT, 5/16-18 HEX
- 21	1011403	2	BRAKE CABLE KIT INCLUDES ITEMS 22, 23, 24
- 22	1011779	4	RING, "E"
- 23	1035	4	PIN, COTTER
- 24	1010829	4	PIN, 5/16" CLEVIS
- 25	1010809	1	EQUALIZER WELD ASSEMBLY
- 26	1028	1	NUT, 1/4-20 HEX
- 27	NO #	1	ROD, HILL BRAKE (SEE ITEM 7)
- 28	1010932	1	BALL JOINT, 1/4-28
- 29	1011418	1	HILL BRAKE KIT INCLUDES ITEMS 1, 5, 29, 30, 31
- 30	1013876	1	NUT, 3/8" PUSH
- 31	1013870	1	PAD, HILL BRAKE



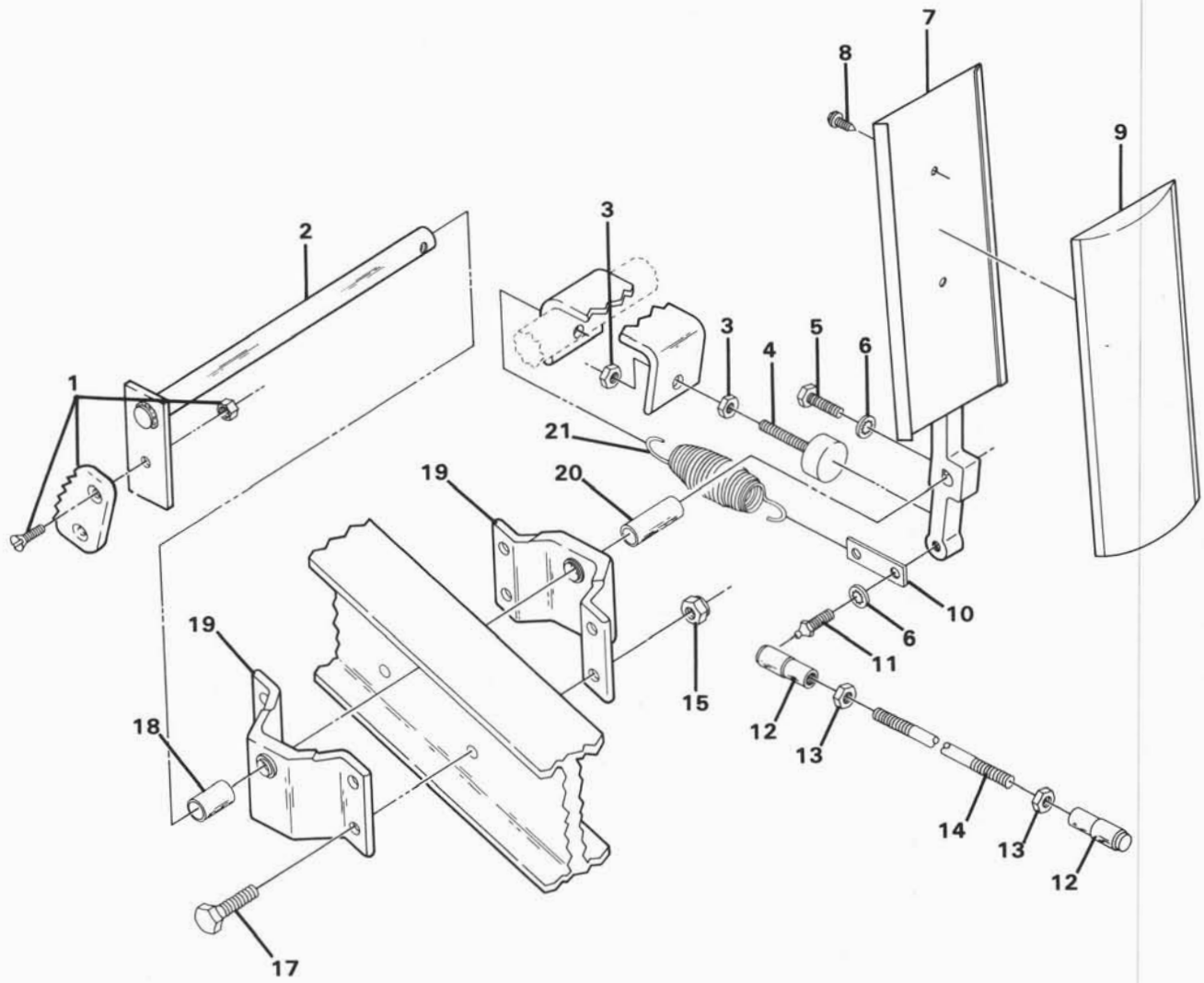
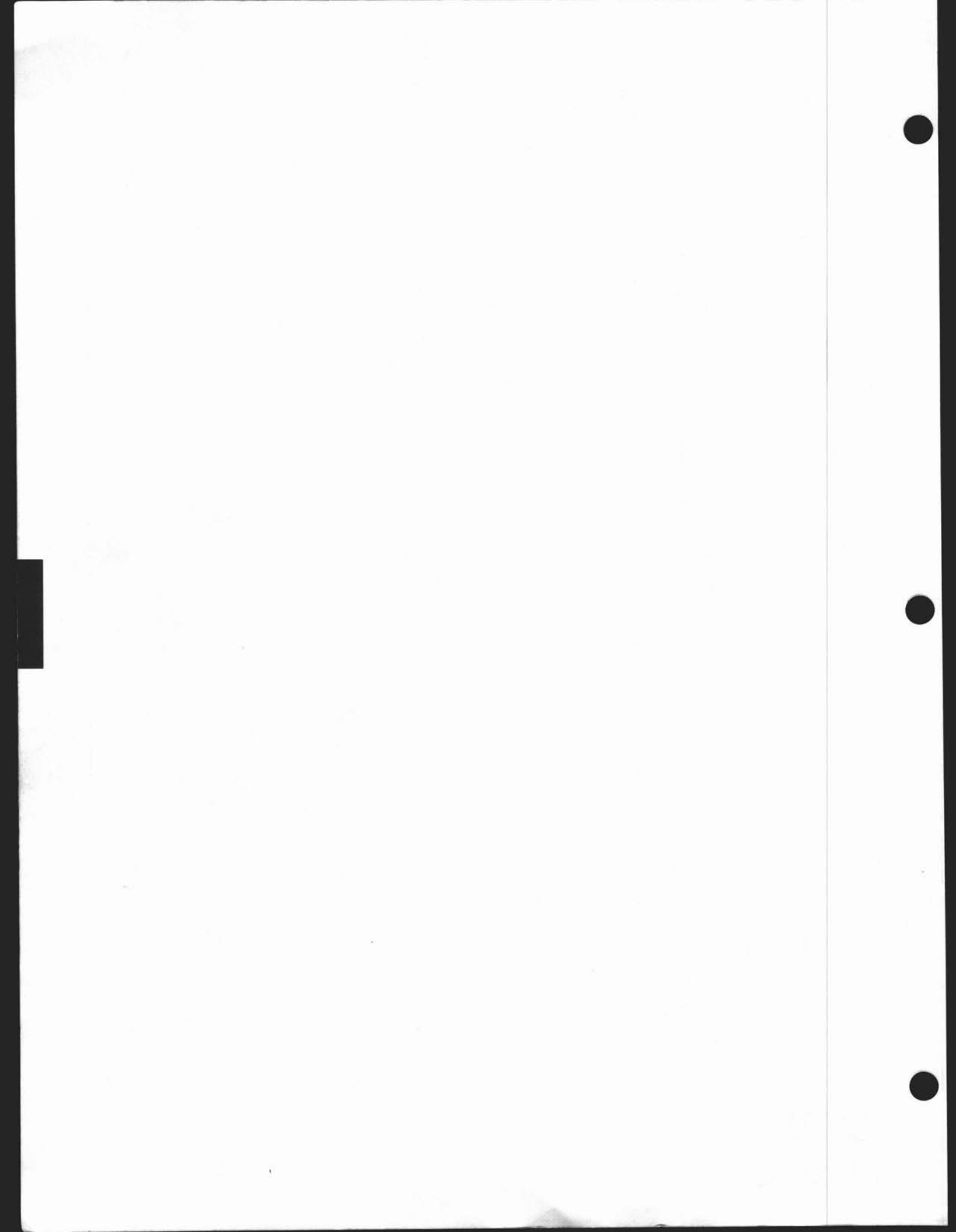


FIGURE 4-3. ACCELERATOR PEDAL ASSEMBLY. SEE LIST 4-3.

ACCELERATOR PEDAL ASSEMBLY

FIGURE-ITEM NUMBER	PART NUMBER	UNITS PER ASM	DESCRIPTION
3 -	NO #	1	ACCELERATOR PEDAL ASSEMBLY FOR ILLUSTRATION SEE FIGURE 4-3
- 1	1011877	1	LATCH, HILL BRAKE
- 2	1016116	1	ROD, ACCELERATOR PIVOT
- 3	1028	2	NUT, 1/4-20 HEX
- 4	1010878	1	STOP, BRAKE
- 5	403	1	BOLT, 1/4-20 HEX
- 6	8304	1	WASHER, 1/4" INTERNAL TOOTH LOCK
- 7	1010969	1	ACCELERATOR PEDAL ASSEMBLY INCLUDES ITEMS 8, 9, 10, 11
- 8	7716	4	SCREW, #10-16 SHEET METAL
- 9	1013871	1	PAD, ACCELERATOR
- 10	1011691	1	HANGER, ACCELERATOR PEDAL SPRING
- 11	1010954	1	BALL STUD, 1/4-28
- 12	1011734	2	BALL JOINT, 1/4-28 SPRING LOADED
- 13	1011084	2	NUT, 1/4-28 JAM
- 14	1010806	1	ROD, ACCELERATOR
- 15	8233	4	LOCKNUT, 1/4-20 NYLON
- 17	7479	4	BOLT, 1/4-20 HEX
- 18	1011699	1	SPACER, 1/2"
- 19	1011694	2	BRACKET, ACCELERATOR BEARING
- 20	1011700	1	SPACER, ACCELERATOR
- 21	1012075	1	SPRING EXTENSION





Section V
ELECTRICAL SYSTEM

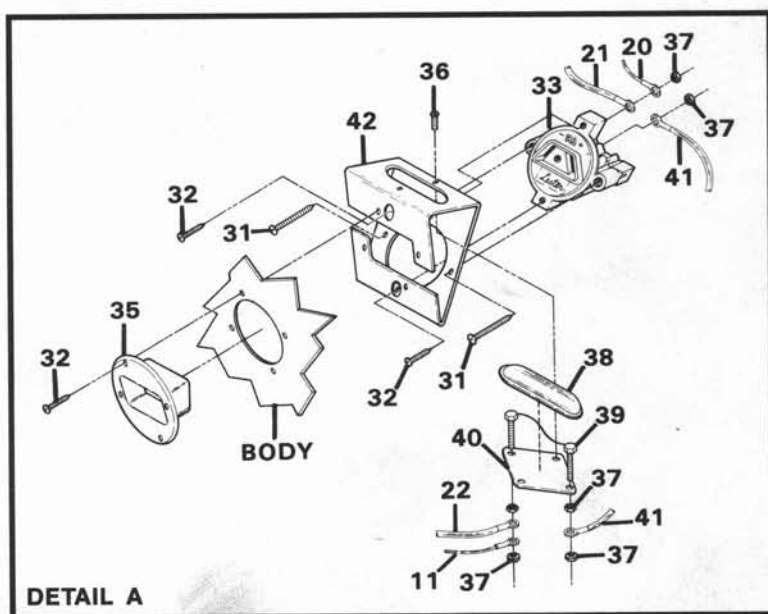
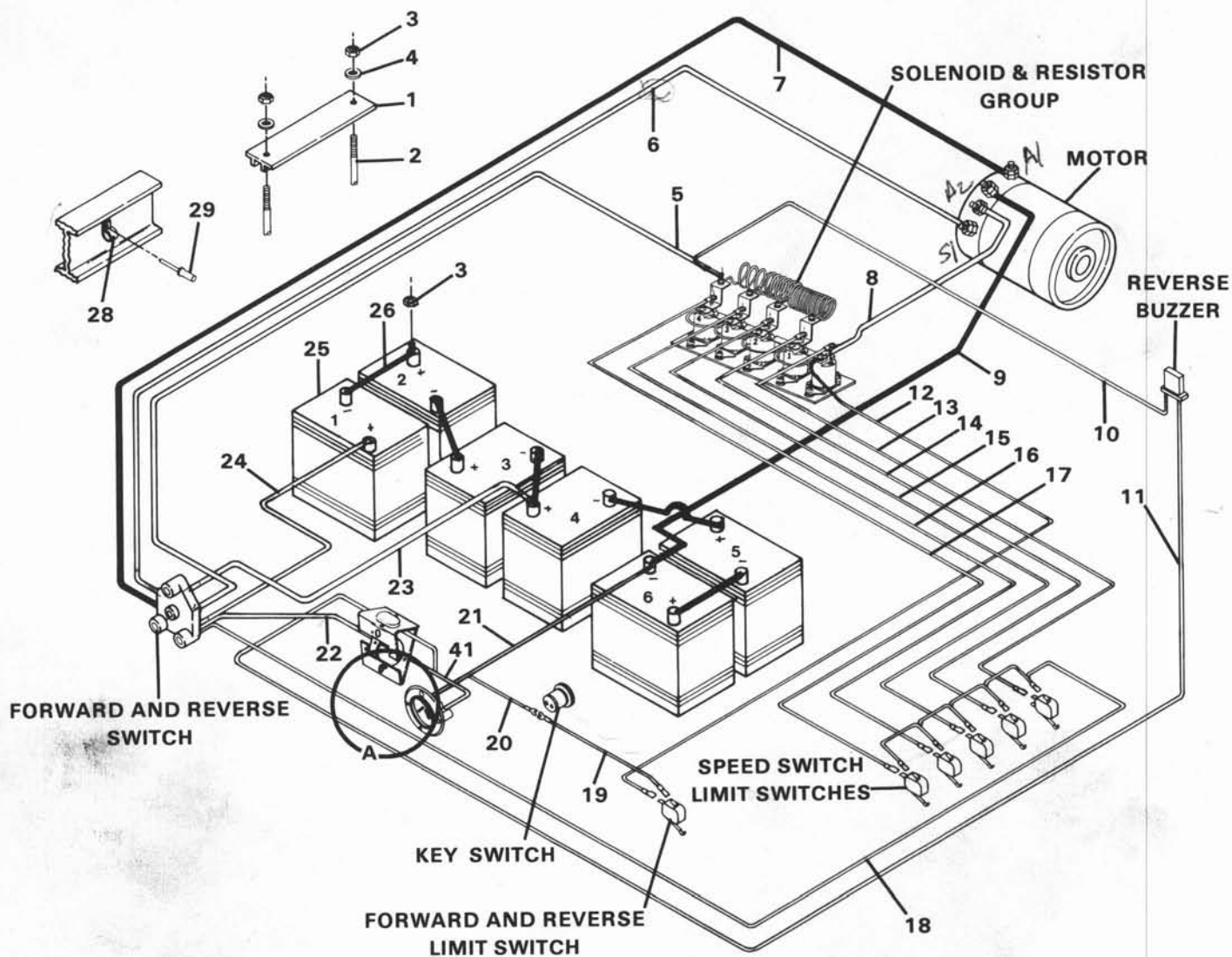


FIGURE 5-1. WIRING DIAGRAM. SEE LIST 5-1.

ClubCar®

DS ELECTRIC

POWER WIRING

FIGURE- ITEM NUMBER	PART NUMBER	UNITS PER ASM	DESCRIPTION			
			1	2	3	4
1 -	NO #		POWER WIRING			
			FOR ILLUSTRATION, SEE FIGURE 5-1			
- 1	1010908	3	BATTERY HOLD DOWN			
- 2	1013683	6	"J" BOLT			
- 3	1014304	18	HEX NUT, STAINLESS STEEL, 5/16-18 UNC			
- 4	1011578	6	FLATWASHER, TYPE B 5/16"			
- 5	1011072	1	WIRE ASSEMBLY #6 WHITE			
- 6	1016070	1	WIRE ASSEMBLY #6 BROWN			
- 7	1016069	1	WIRE ASSEMBLY #6 PURPLE			
- 8	1011073	1	WIRE ASSEMBLY #6 WHITE			
- 9	1012651	1	WIRE ASSEMBLY #6 BLACK			
- 10	1011037	1	WIRE ASSEMBLY #18 WHITE			
- 11	1014024	1	WIRE ASSEMBLY #18 ORANGE			
- 12	1011036	1	WIRE ASSEMBLY #18 YELLOW			
- 13	1011056	1	WIRE ASSEMBLY #18 GREEN			
- 14	1011055	1	WIRE ASSEMBLY #18 RED			
- 15	1011054	1	WIRE ASSEMBLY #18 WHITE			
- 16	1011053	1	WIRE ASSEMBLY #18 BLUE			
- 17	1011052	1	WIRE ASSEMBLY #18 BLACK			
- 18	1011035	1	WIRE ASSEMBLY #18 YELLOW			
- 19	1011006	1	WIRE ASSEMBLY #18 BLUE			
- 20	1011007	1	WIRE ASSEMBLY #18 RED			
- 21	1011010	1	WIRE ASSEMBLY #10 WHITE			
- 22	1012237	1	WIRE ASSEMBLY #10 RED			
- 23	1011069	1	WIRE ASSEMBLY #6 RED			
- 24	1011069	1	WIRE ASSEMBLY #6 RED			
- 25	1013697	6	CLUB CAR SERIES 2200 BATTERY			
- 26	1010958	5	WIRE ASSEMBLY #6 BLACK			
- 28	1012022	3	CABLE CLAMP			
- 29	1606	3	POP RIVET, 3/16"			
- 31	8795	2	SELF-TAPPING SCREW, PHILLIPS PAN HEAD, #7 X 1-3/4"			
- 32	8796	6	SELF-TAPPING SCREW, PHILLIPS PAN HEAD, #7 X 3/4"			
- 33	4107	1	CHARGER RECEPTACLE			
- 34	1013425	1	ON-BOARD FUSE ASSEMBLY KIT INCLUDES ITEMS 35 THRU 42			
- 35	1013649	1	RECEPTACLE BEZEL			
- 36	1013266	2	SCREW, PHILLIPS HEAD, TYPE BT, #8-18 X 1/2"			
- 37	8797	6	NUT, #10-32 BRASS			
- 38	1012143	1	FUSE LENS			
- 39	1012085	1	FUSE, 80 AMP			
- 40	1012142	1	FUSE HOLDER			
- 41	1013092	1	WIRING ASSEMBLY #10 RED			
- 42	1013628	1	FUSE & RECEPTACLE MOUNTING BRACKET			



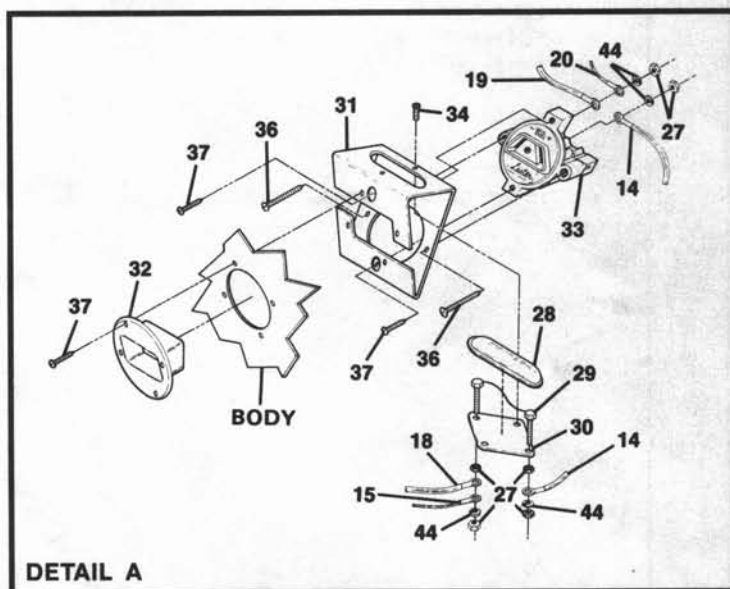
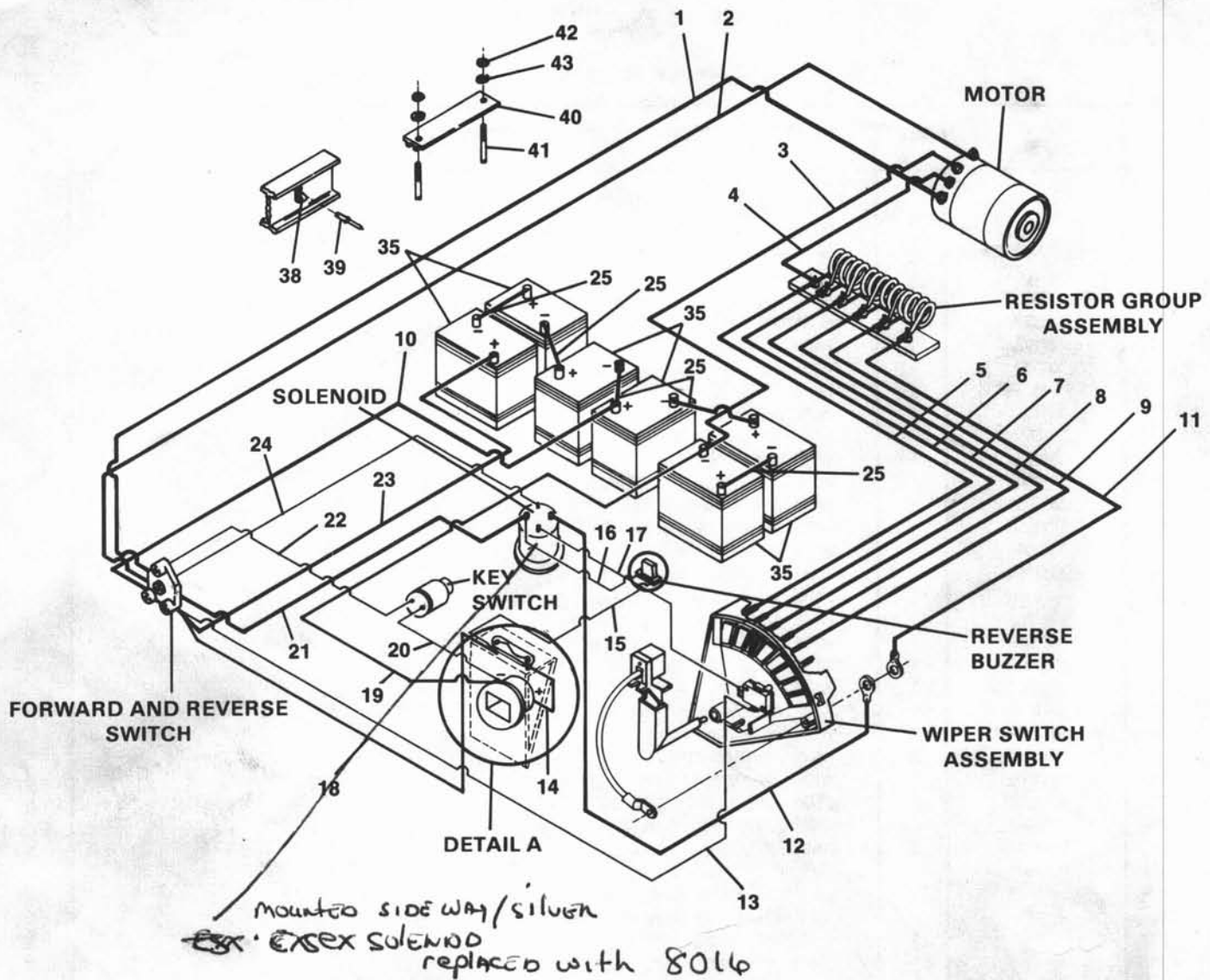


FIGURE 5-1A. WIRING DIAGRAM. SEE LIST 5-1A.

POWER WIRING

FIGURE- ITEM NUMBER	PART NUMBER	UNITS PER ASM	DESCRIPTION			
			1	2	3	4
1A-	NO #		POWER WIRING			
- 1	1011068	1	WIRE ASSEMBLY #6 RED			
- 2	1011070	1	WIRE ASSEMBLY #6 BLACK			
- 3	1012651	1	WIRE ASSEMBLY #6 BLACK			
- 4	1014038	1	WIRE ASSEMBLY #6 WHITE			
- 5	1014036	1	WIRE ASSEMBLY #6 BLACK			
- 6	1014035	1	WIRE ASSEMBLY #6 BLUE			
- 7	1014034	1	WIRE ASSEMBLY #6 GREEN			
- 8	1014033	1	WIRE ASSEMBLY #6 YELLOW			
- 9	1014032	1	WIRE ASSEMBLY #6 ORANGE			
- 10	1014828	1	WIRE ASSEMBLY #6 GREEN			
- 11	1014030	1	WIRE ASSEMBLY #6 WHITE			
- 12	1014029	1	WIRE ASSEMBLY #6 WHITE			
- 13	1014022	1	WIRE ASSEMBLY #18 RED			
- 14	1013092	1	WIRE ASSEMBLY #10 RED			
- 15	1014024	1	WIRE ASSEMBLY #18 ORANGE			
- 16	1012230	1	WIRE ASSEMBLY #18 WHITE			
- 17	1014023	1	WIRE ASSEMBLY #18 GREEN			
- 18	1012237	1	WIRE ASSEMBLY #10 RED			
- 19	1011010	1	WIRE ASSEMBLY #10 WHITE			
- 20	1011007	1	WIRE ASSEMBLY #18 RED			
- 21	1014039	1	WIRE ASSEMBLY #6 WHITE			
- 22	1011006	1	WIRE ASSEMBLY #18 BLUE			
- 23	1011069	1	WIRE ASSEMBLY #6 RED			
- 24	1014040	1	WIRE ASSEMBLY #18 YELLOW			
- 25	1010958	5	WIRE ASSEMBLY #6 BLACK			
- 27	8797	6	NUT #10-32, BRASS			
- 28	1012143	1	FUSE LENS			
- 29	1012085	1	FUSE, 80 AMP			
- 30	1012142	1	FUSE HOLDER			
- 31	1013628	1	FUSE AND RECEPTACLE MOUNTING BRACKET			
- 32	1013649	1	RECEPTACLE BEZEL			
- 33	4107	1	CHARGER RECEPTACLE			
- 34	1013266	2	SCREW, PHILLIPS HEAD, TYPE BT, #8-18 X 1/2"			
- 35	1013697	6	CLUB CAR SERIES 2200 BATTERY			
- 36	8795	2	SELF TAPPING SCREW, PHILLIPS PAN HEAD # 7 X 1-3/4"			
- 37	8796	6	SELF TAPPING SCREW, PHILLIPS PAN HEAD # 7 X 3/4"			
- 38	1012022	3	CABLE CLAMP			
- 39	1606	3	POP RIVET, 3/16"			
- 40	1010908	3	BATTERY HOLD DOWN			
- 41	1013683	6	"J" BOLT			
- 42	1014305	18	HEX NUT, 5/16-18 UNC S.S.			
- 43	1011578	6	FLATWASHER, TYPE B, 5/16"			
- 44	1016	4	#10 SPLIT LOCKWASHER			
- 45	1014516	1	FUSE LINK KIT (NOT SHOWN)			
			INCLUDES ITEMS 27, 28, 29, 30 AND 44			

1014335



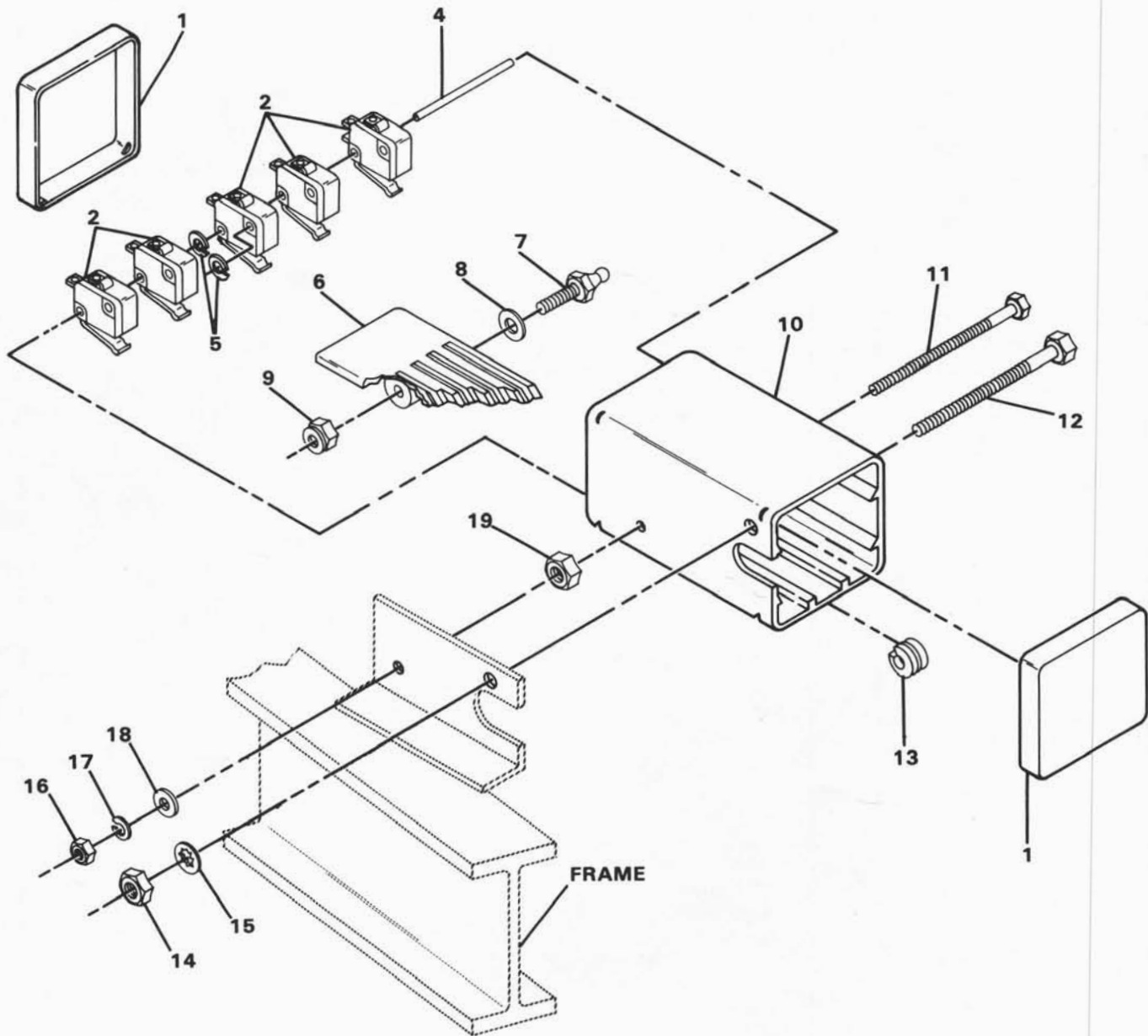


FIGURE 5-2. SPEED SWITCH ASSEMBLY. SEE LIST 5-2.

SPEED SWITCH ASSEMBLY

FIGURE- ITEM NUMBER	PART NUMBER	UNITS PER ASM	DESCRIPTION			
			1	2	3	4
2 -	1013410	1	SPEED SWITCH ASSEMBLY COMPLETE WITH WIRES (NOT SHOWN) EXCLUDING MOUNTING HARDWARE ITEMS 14 THRU 18 FOR ILLUSTRATION, SEE FIGURE 5-2			
- 1	1010945	2	SPEED SWITCH CAPLUG			
- 2	1014808	5	LIMIT SWITCH			
- 4	1011024	1	ALIGNMENT PIN			
- 5	8058	2	LOCKWASHER, #4			
- 6	1012798	1	SPEED SWITCH SLIDE			
- 7	1010954	1	BALL STUD — 1/4-28 UNF			
- 8	332	1	FLATWASHER, 1/4"			
- 9	8717	1	LOCKNUT, 1/4-28 UNF			
- 10	1010928	1	SPEED SWITCH BOX			
- 11	1010875	1	SCREW, HEX HEAD, MACHINE, #4-40			
- 12	1010876	1	SCREW, HEX HEAD, MACHINE, #10-32			
- 13	1011020	1	SPLIT GROMMET			
- 14	7893	1	NUT, HEX, #10-32 UNF			
- 15	8049	1	LOCKWASHER, #10			
- 16	8057	1	NUT, HEX, #4-40 UNC			
- 17	8058	1	LOCKWASHER, #4			
- 18	1011034	1	FLATWASHER, WIDE, #4			
- 19	8057	1	NUT, HEX, #4-40			



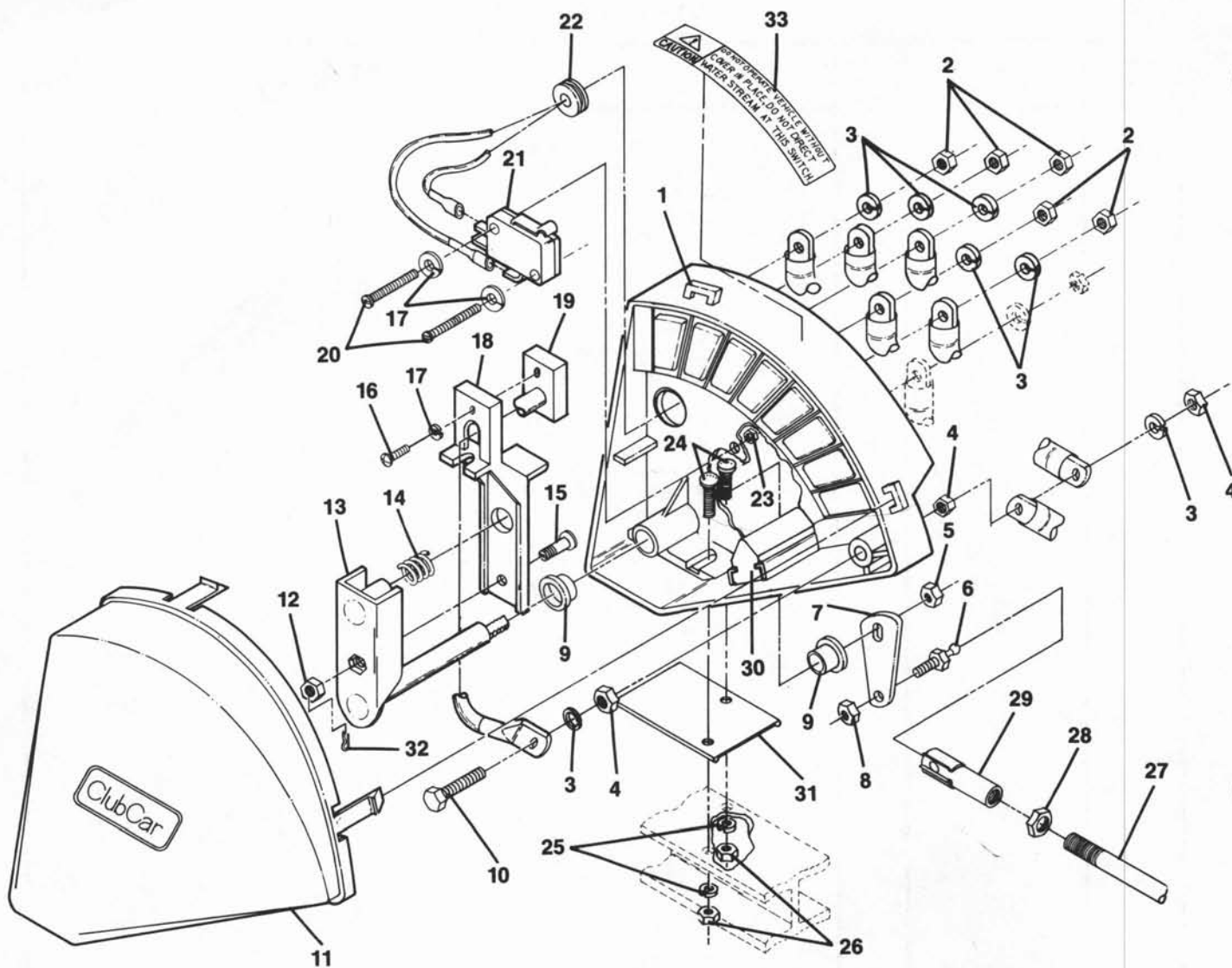


FIGURE 5-2A. V-GLIDE ACCELERATOR SYSTEM. SEE LIST 5-2A.

ClubCar®

DS ELECTRIC

V-GLIDE ACCELERATOR SYSTEM

FIGURE-ITEM NUMBER	PART NUMBER	UNITS PER ASM	DESCRIPTION
2A -	NO #		V-GLIDE ACCELERATOR SYSTEM FOR ILLUSTRATION, SEE FIGURE 5-2A
- 1	1014999	1	SPEED CONTROLLER CASE ASSEMBLY INCLUDES ITEMS 1 THRU 23, 30, 32, AND 33 <i>SEE 1016140</i>
- 2	1014	5	1/4"-20 UNC HEX NUT, BRASS
- 3	451	7	1/4" SPLIT LOCKWASHER
- 4	1014253	3	1/4"-20 BRASS JAM NUT
- 5	7473	1	5/16"-18 UNC NYLON LOCKNUT
- 6	1012353	1	1/4" X 1/4"-28, SHORT BALL STUD
- 7	1014003	1	SPEED CONTROLLER BELL CRANK
- 8	8449	1	1/4"-28 DIMPLED LOCKNUT
- 9	1012903	2	3/8" X 1/2" FLANGE BEARING
- 10	1014189	1	1/4"-20 X 2.00 HEX CAP SCREW, BRONZE
- 11	1013886	1	SPEED CONTROLLER COVER
- 12	7893	1	#10-32 UNF HEX NUT
- 13	1014017	1	SPEED CONTROLLER SHAFT AND CARRIER
- 14	1013998	1	SPEED CONTROLLER BRUSH SPRING
- 15	1014000	1	SPEED CONTROLLER ADJUSTING STUD
- 16	1014019	1	#4-40 UNC TYPE "F" SCREW
- 17	8058	3	#4 SPLIT LOCKWASHER
- 18	1013887	1	SPEED CONTROLLER ARM
- 19	1013860	1	SPEED CONTROLLER BRUSH
- 20	8056	2	#4-40 UNC X 3/4" ROUND HEAD SCREW
- 21	1014807	1	LIMIT SWITCH
- 22	1014010	1	SPLIT GROMMET
- 23	8057	2	#4-40 UNC HEX NUT
- 24	1014109	2	#10-24 X 3/4" ROUND HEAD BOLT
- 25	1016175	2	#10 SPLIT LOCKWASHER
- 26	1017	2	#10 HEX NUT
- 27	1014016	1	ACCELERATOR ROD
- 28	1011084	2	1/4-28 JAM NUT
- 29	1011734	2	BALL JOINT
- 30	1014414	1	BUMPER, SPEED CONTROLLER
- 31	1014367	1	SHIM, SPEED CONTROLLER
- 32	1014413	1	HAIR SPRING COTTER PIN
- 33	1014660	1	SPEED CONTROLLER DECAL
	1016140	1	V-GLIDE SPEED CONTROLLER ASSEMBLY INCLUDES ITEMS 1 THRU 22, 30 AND 33



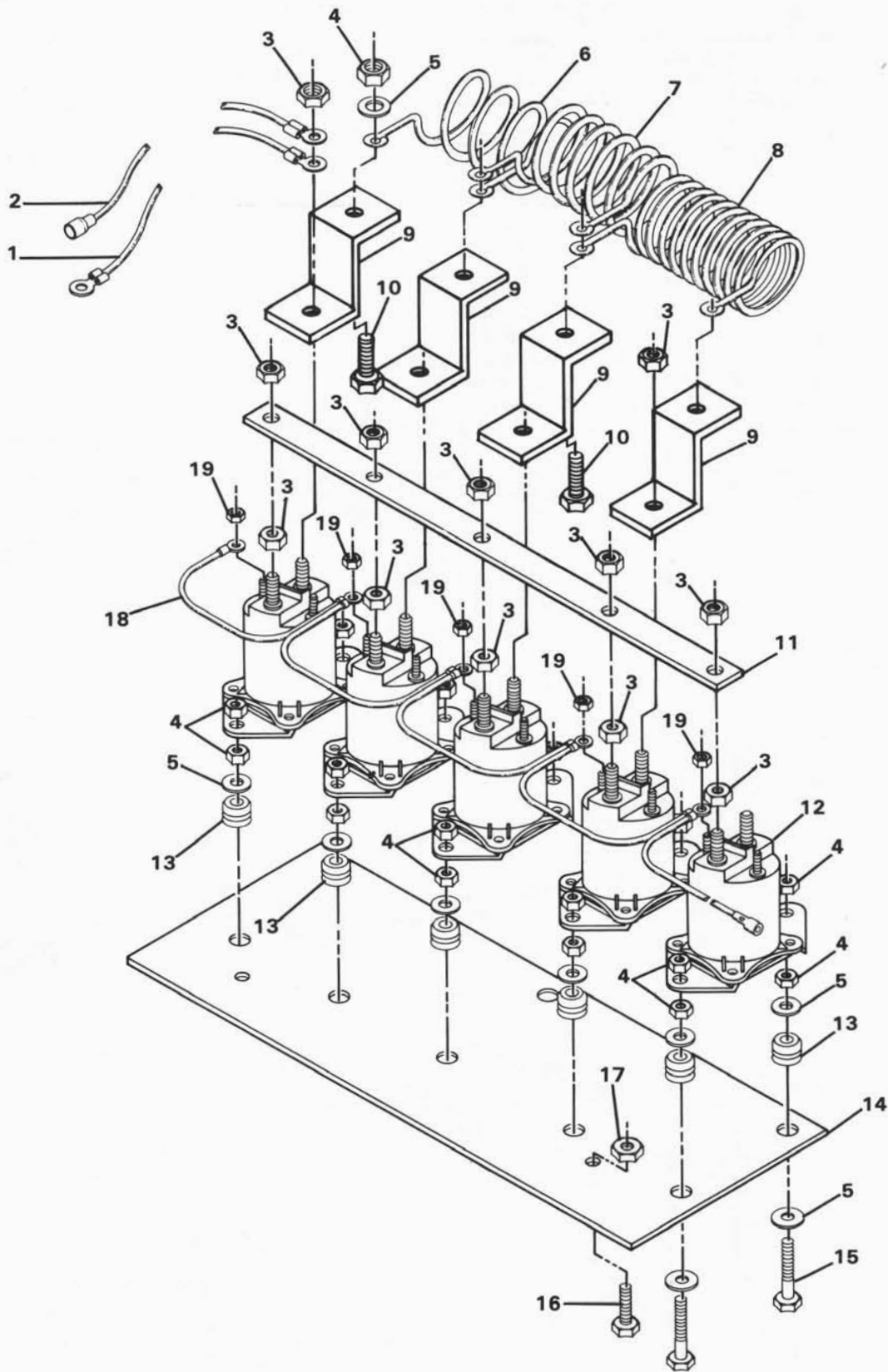


FIGURE 5-3. SOLENOID AND RESISTOR GROUP ASSEMBLY. SEE LIST 5-3.



SOLENOID AND RESISTOR GROUP ASSEMBLY

FIGURE- ITEM NUMBER	PART NUMBER	UNITS PER ASM	DESCRIPTION
			1 2 3 4
3 -	NO #	1	SOLENOID AND RESISTOR GROUP ASSEMBLY COMPLETE WITH WIRE ASSEMBLY EXCLUDING MOUNTING HARDWARE ITEMS 16 AND 17 FOR ILLUSTRATION, SEE FIGURE 5-3
- 1	1011072	1	WIRE ASSEMBLY #6 WHITE
- 2	1011037	1	WIRE ASSEMBLY #18 WHITE
- 3	1242	14	NUT, HEX, 5/16-18 UNC
- 4	1028	24	NUT, HEX, 1/4-20 UNC
- 5	332	24	FLATWASHER, 1/4"
- 6	1010217	1	THIRD SPEED RESISTOR COIL
- 7	1010216	1	SECOND SPEED RESISTOR COIL
- 8	1010215	1	FIRST SPEED RESISTOR COIL
- 9	8541	4	RESISTOR COIL MOUNTING BRACKET
- 10	7847	4	BOLT, HEX HEAD, 1/4-20 UNC X 3/4"
- 11	8543	1	BUSS BAR
- 12	8016	5	SOLENOID, 36 VOLT
- 13	7861	10	RUBBER GROMMET
- 14	1010749	1	SOLENOID MOUNTING BRACKET
- 15	7479	10	BOLT, HEX HEAD, 1/4-20 UNC X 1-1/4"
- 16	7847	2	BOLT, HEX HEAD, 1/4-20 UNC X 3/4"
- 17	8233	2	INSERT LOCKNUT, NYLON, 1/4-20 UNC
- 18	1011036	1	WIRE ASSEMBLY #18 YELLOW
- 19	7893	5	NUT, HEX, #10-32 UNF



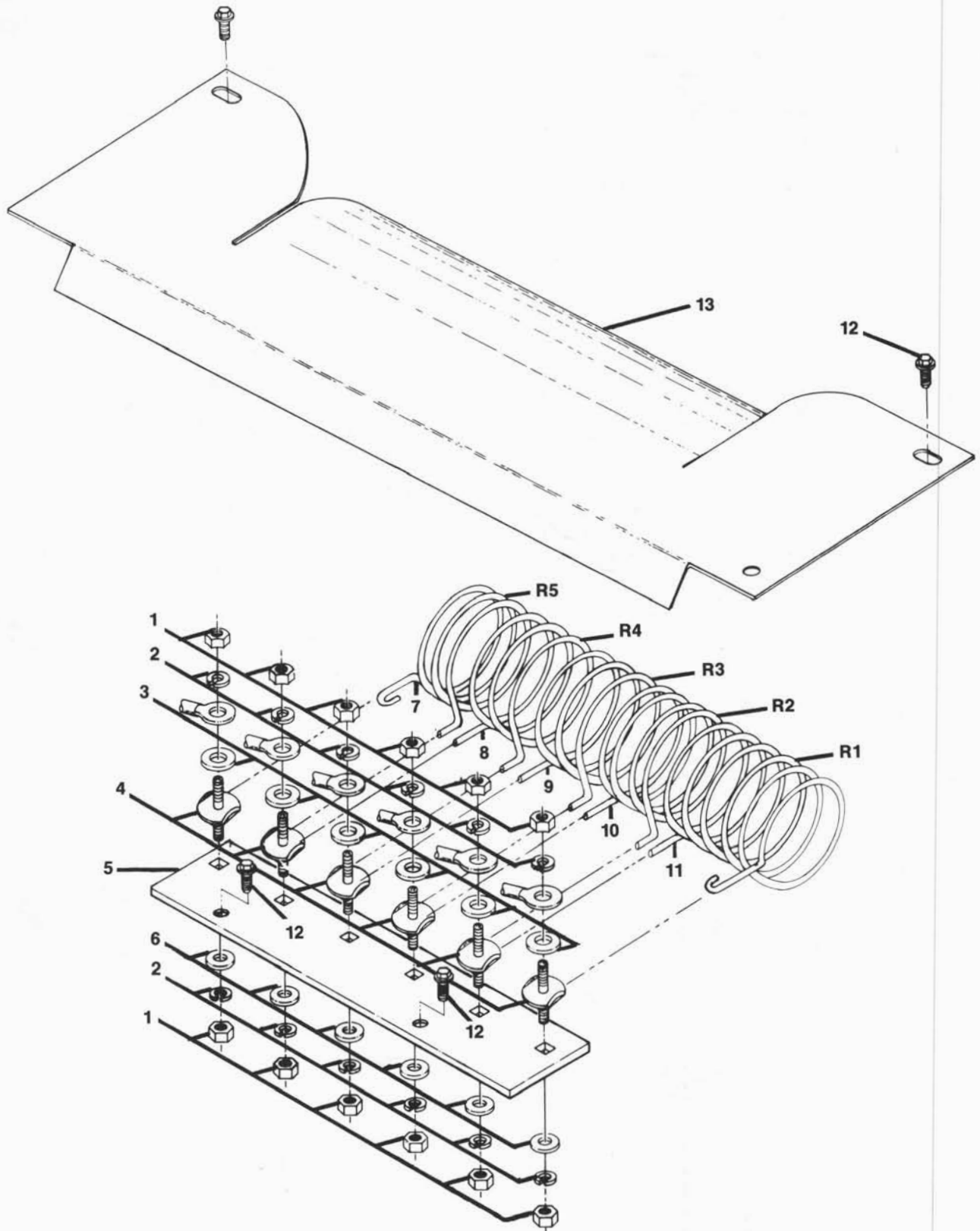


FIGURE 5-3A. RESISTOR AND BOARD ASSEMBLY. SEE LIST 5-3A.

ClubCar®

DS ELECTRIC

RESISTOR AND BOARD ASSEMBLY

FIGURE- ITEM NUMBER	PART NUMBER	UNITS PER ASM	DESCRIPTION
			1 2 3 4
3A-	NO #		RESISTOR AND BOARD ASSEMBLY
- 1	1028	12	1/4"-20 UNC HEX NUT
- 2	451	12	1/4" SPLIT LOCKWASHER
- 3	1014306	6	1/4" WIDE FLATWASHER
- 4	1014045	6	RESISTOR COIL STANDOFF
- 5	1014728	1	RESISTOR MOUNTING BOARD
- 6	332	6	1/4" FLATWASHER
- 7	1014655	1	RESISTOR COIL
- 8	1014654	1	RESISTOR COIL
- 9	1014013	1	RESISTOR COIL
- 10	1014014	1	RESISTOR COIL
- 11	1014729	1	RESISTOR COIL
- 12	1012285	4	1/4-20 UNC X 5/8" THREAD ROLLING SCREW
- 13	1013971	1	RESISTOR SHIELD



Manual No. 1013165 - Issue Date 9/91
 Effective Serial No. A8910-167515 thru _____

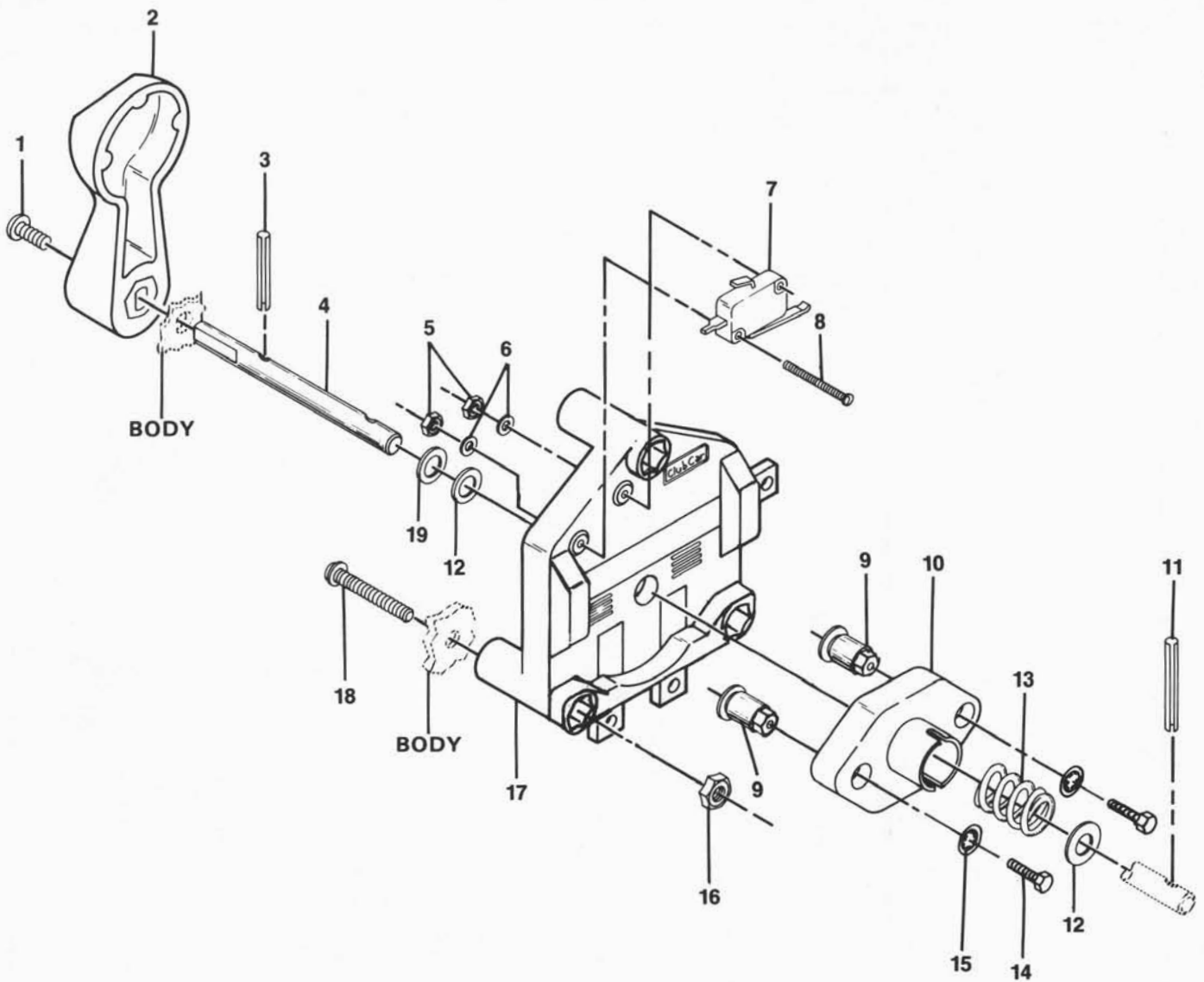


FIGURE 5-4. FORWARD AND REVERSE SWITCH ASSEMBLY. SEE LIST 5-4.

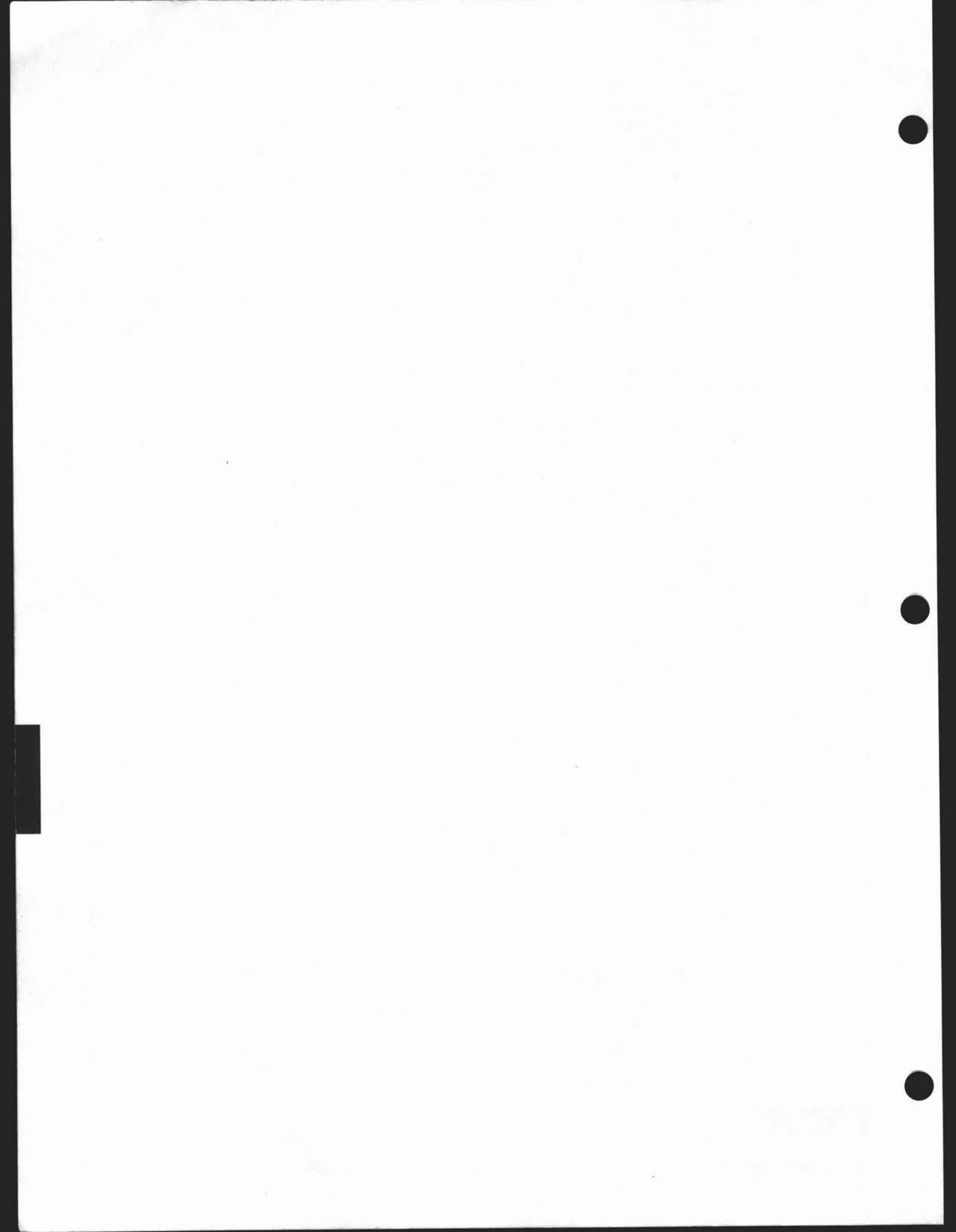
ClubCar®

DS ELECTRIC

FORWARD AND REVERSE SWITCH ASSEMBLY

FIGURE- ITEM NUMBER	PART NUMBER	UNITS PER ASM	DESCRIPTION			
			1	2	3	4
4 -	1011997	1	FORWARD AND REVERSE SWITCH ASSEMBLY COMPLETE EXCLUDING ITEMS 1 AND 2 AND MOUNTING HARDWARE, ITEMS 14, 15, 16 AND 18 FOR ILLUSTRATION, SEE FIGURE 5-4			
- 1	1013198	1	SCREW, PHILLIPS MACHINE, #8-32			
- 2	1012987	1	SWITCH HANDLE, FORWARD AND REVERSE			
- 3	1231	1	ROLL PIN, 1/8 X 1"			
- 4	1012988	1	SHAFT, FORWARD AND REVERSE SWITCH			
- 5	8057	2	NUT, HEX, #4-40 UNC			
- 6	8058	2	LOCKWASHER, #4			
- 7	1014808	1	LIMIT SWITCH, FORWARD AND REVERSE			
- 8	1011991	2	SCREW, SLOTTED ROUND HEAD, #4-40 X 1-1/8"			
- 9	8793	2	ROTOR CONTACT			
- 10	1011976	1	SWITCH ROTOR, FORWARD AND REVERSE			
- 11	1011993	1	ROLL PIN, 3/16" X 1-3/8"			
- 12	1011990	2	FLATWASHER, 3/8"			
- 13	7627	1	SHAFT SPRING, FORWARD AND REVERSE			
- 14	8450	2	SCREW, HEX HEAD MACHINE, #10-24			
- 15	8049	2	LOCKWASHER, INTERNAL TOOTH #10			
- 16	8233	3	LOCKNUT, NYLON, 1/4-20			
- 17	1014273	1	SWITCH CASE, FORWARD AND REVERSE			
- 18	1011988	3	SCREW, TRUSS HEAD PHILLIPS, 1/4-20 X 2"			
- 19	1014065	1	WASHER, PLASTIC, 3/8"			





Section VI

BATTERY CHARGERS

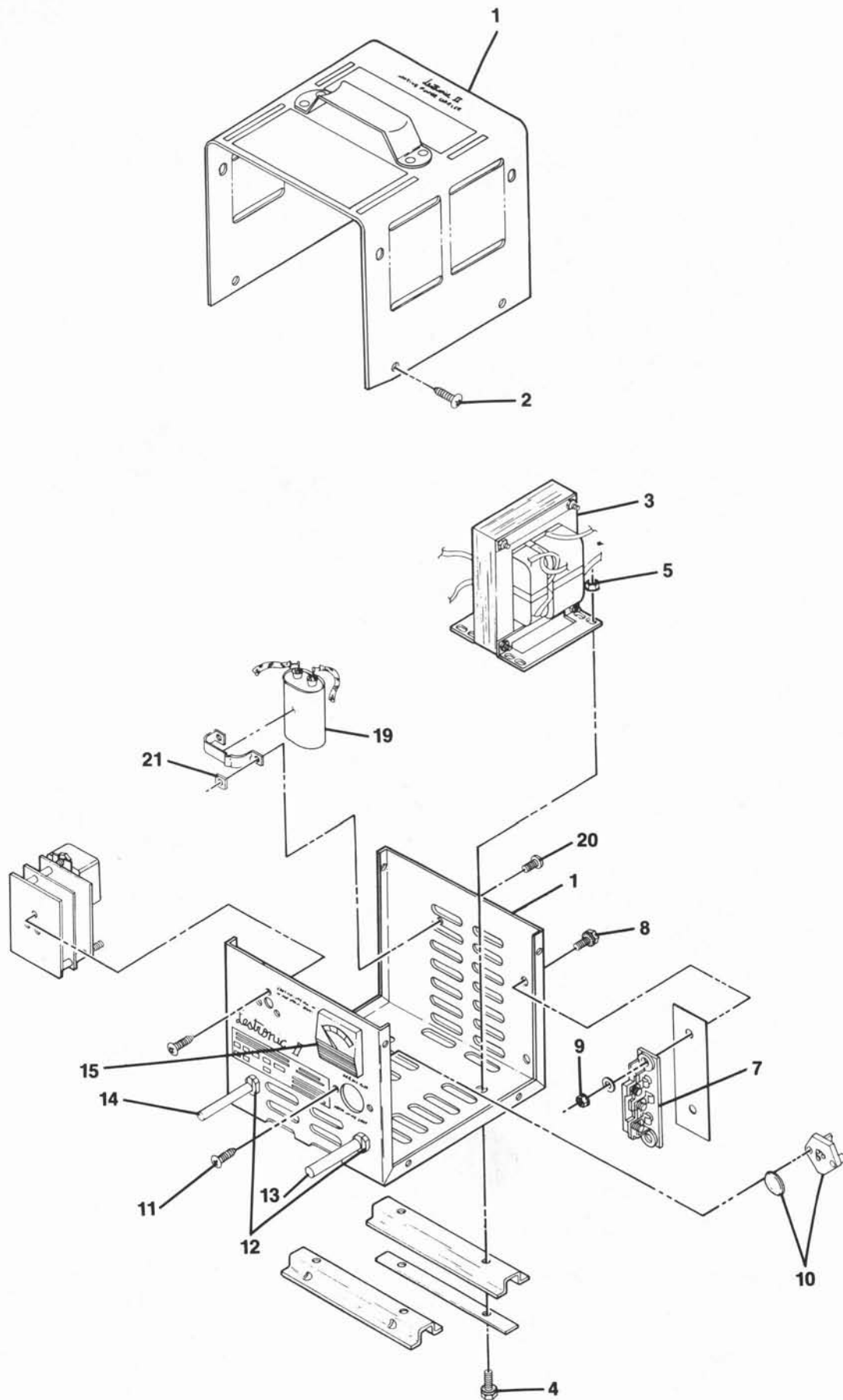


FIGURE 6-1. LESTER BATTERY CHARGER MODEL NO. 9611. SEE LIST 6-1.

LESTER BATTERY CHARGER MODEL NO. 9611

FIGURE- ITEM NUMBER	PART NUMBER	UNITS PER ASM	DESCRIPTION
			1 2 3 4
1 -	NO #	1	LESTER BATTERY CHARGER MODEL NO. 9611 COMPLETE FOR ILLUSTRATION, SEE FIGURE 6-1
- 1	1012113	1	CASE
- 2	7716	8	SCREW, TYPE AB SELF-TAPPING, #10
- 3	1012112	1	TRANSFORMER INCLUDES ITEMS 4 AND 5
- 4	403	4	BOLT, HEX HEAD, 1/4-20 X 5/8"
- 5	1012123	4	LOCKNUT, "K", 1/4-20
- 7	1012102	1	HEATSINK ASSEMBLY INCLUDES ITEMS 8 AND 9
- 8	1012126	2	SCREW, HEX HEAD, #10-32 X 5/8"
- 9	1012133	2	LOCKNUT, "K", #10-32
- 10	1012101	1	FUSE ASSEMBLY
- 11	1012130	2	SCREW, TYPE AB SELF-TAPPING, #7
- 12	1012098	2	BUSHING
- 13	1013688	1	D.C. CORDSET
- 14	1012099	1	A.C. CORDSET
- 15	1012106	1	AMMETER
- 16	1012107	1	TIMER KNOB
- 17	1012056	3	SCREW, PHILLIPS HEAD MACHINE, #8-32 X 1/4"
- 18	1012105	1	TIMER INCLUDES ITEM 17
- 19	1012095	1	CAPACITOR
- 20	1012129	1	SCREW, PHILLIPS HEAD MACHINE, #8-32 X 5/16"
- 21	1011571	1	NUT, HEX, #8-32
- 22	1013865	A/R	DECAL, BATTERY CHARGER CASE



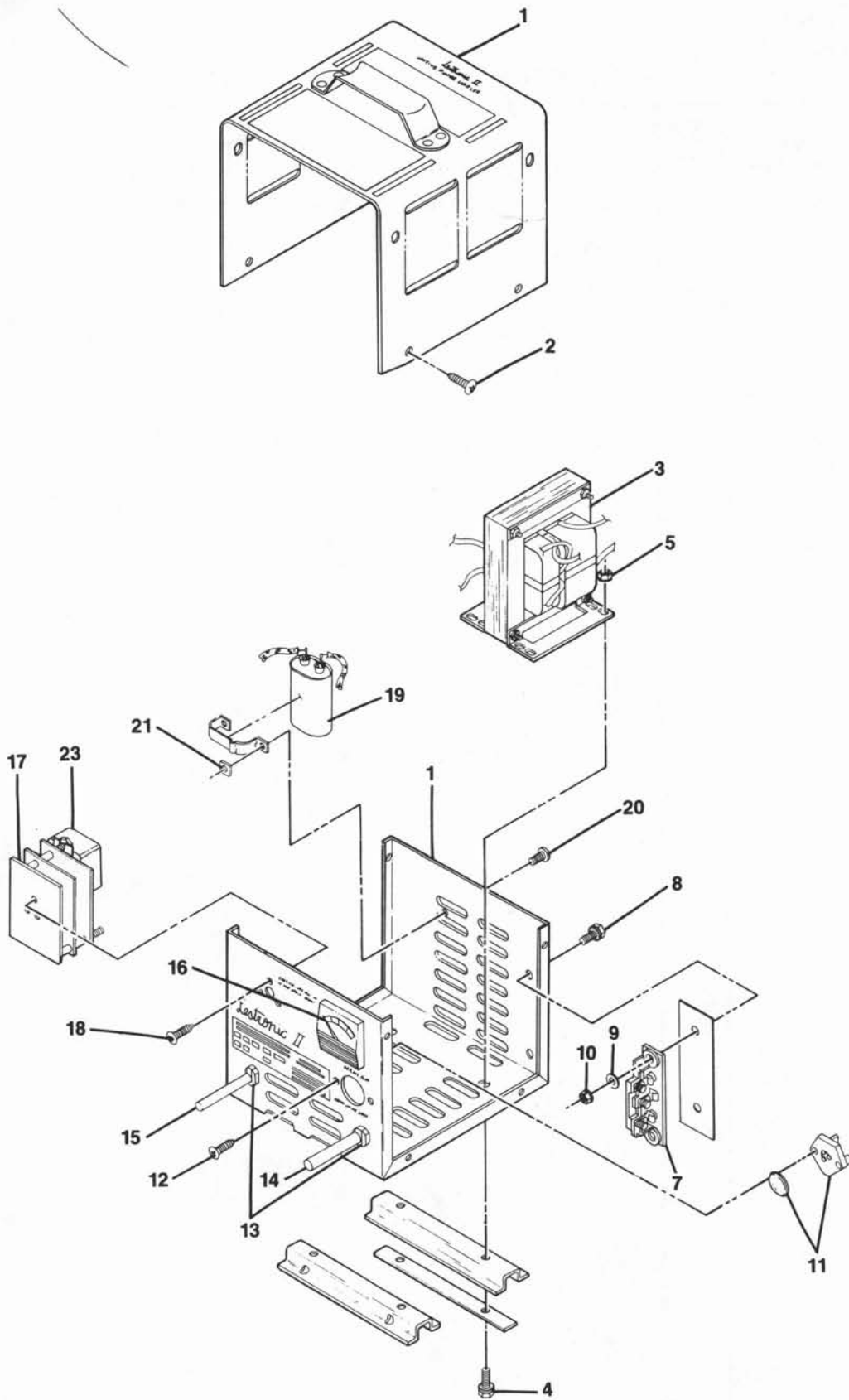


FIGURE 6-2. LESTER BATTERY CHARGER MODEL NO. 7850. SEE LIST 6-2.

ClubCar®

DS ELECTRIC

LESTER BATTERY CHARGER MODEL NO. 7850

FIGURE- ITEM NUMBER	PART NUMBER	UNITS PER ASM	DESCRIPTION			
			1	2	3	4
2 -	NO #	1	LESTER BATTERY CHARGER MODEL NO. 7850 COMPLETE			
			FOR ILLUSTRATION, SEE FIGURE 6-2			
- 1	1012103	1	CASE			
- 2	7716	8	SCREW, TYPE AB SELF-TAPPING, #10			
- 3	1012094	1	TRANSFORMER			
			INCLUDES ITEMS 4 AND 5			
- 4	403	4	BOLT, HEX HEAD, 1/4-20 X 5/8"			
- 5	1012123	4	LOCKNUT, "K", 1/4-20			
- 7	1012102	1	HEATSINK ASSEMBLY			
			INCLUDES ITEMS 8 AND 10			
- 8	1012127	2	SCREW, HEX WASHER HEAD MACHINE, #10-32 X 1/2"			
- 9	183	2	WASHER, PLAIN, #10			
- 10	1012133	2	LOCKNUT, "K", #10-32			
- 11	1012101	1	FUSE ASSEMBLY			
			INCLUDES ITEM 12			
- 12	1012130	2	SCREW, TYPE AB SELF-TAPPING, #7			
- 13	1012098	2	BUSHING			
- 14	1013688	1	D.C. CORDSET			
- 15	1012099	1	A.C. CORDSET			
- 16	1012097	1	AMMETER			
- 17	1012096	1	ELECTRONIC TIMER			
			INCLUDES ITEM 23			
- 18	1012056	3	SCREW, PHILLIPS HEAD MACHINE, #8-32 X 1/4"			
- 19	1012095	1	CAPACITOR			
- 20	1012129	1	SCREW, PHILLIPS HEAD MACHINE, #8-32 X 5/16"			
- 21	1011571	1	NUT, HEX, #8-32			
- 22	1013865	A/R	DECAL — BATTERY CHARGER CASE			
- 23	1015428	1	TIMER RELAY			



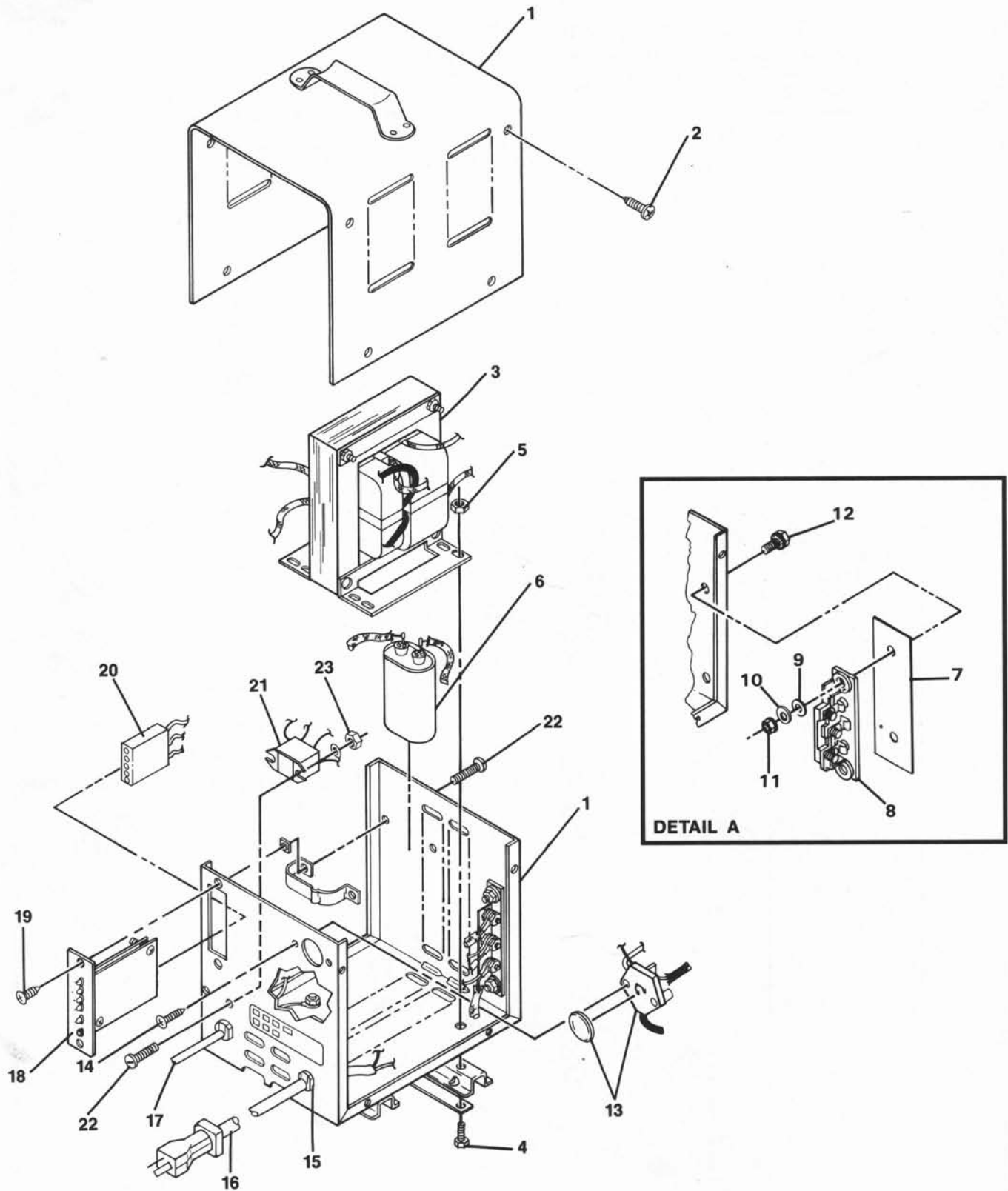


FIGURE 6-3. CLUB CAR SOLID STATE FULLY AUTOMATIC CHARGER. SEE LIST 6-3.

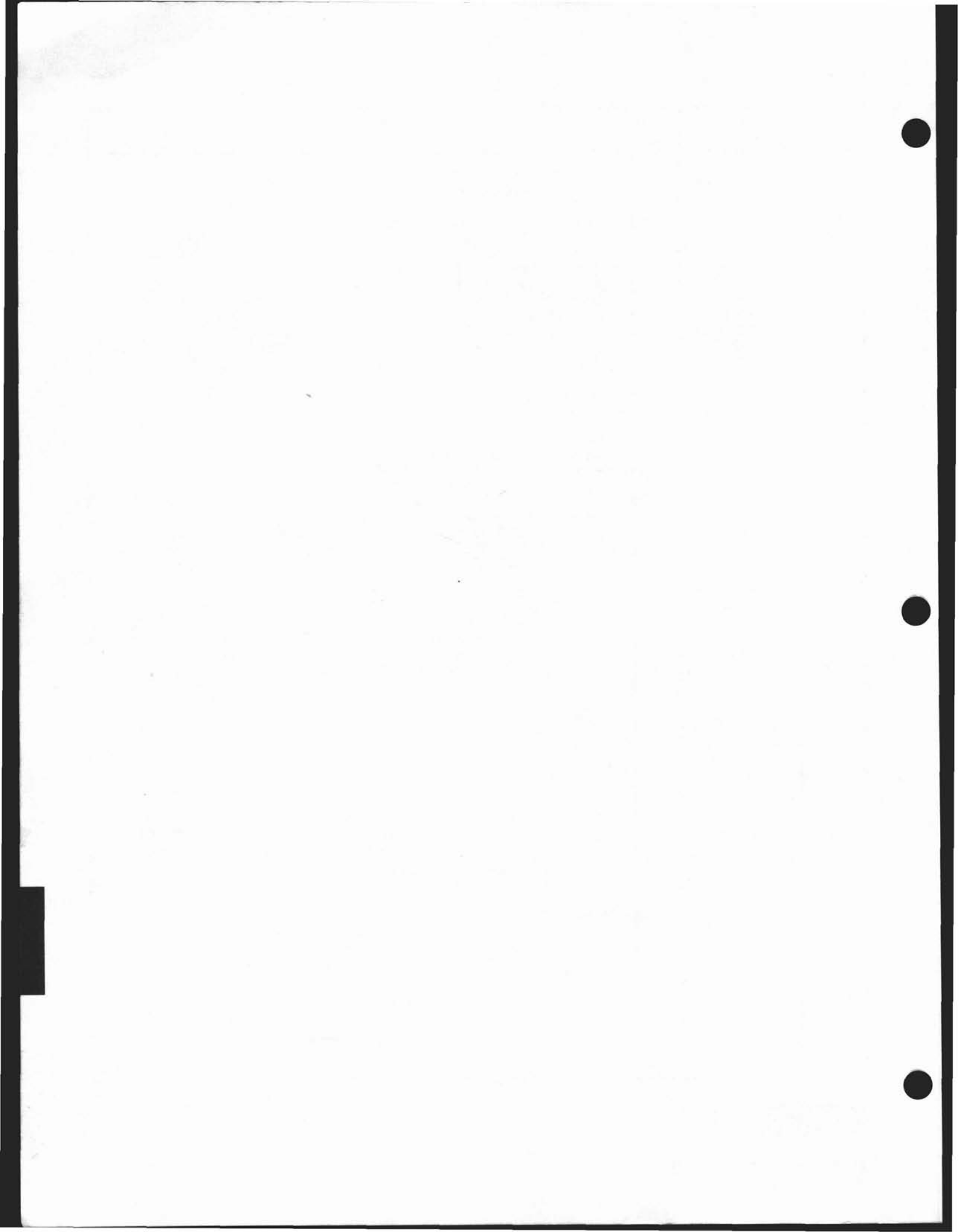
ClubCar®

DS ELECTRIC

CLUB CAR SOLID STATE FULLY AUTOMATIC CHARGER

FIGURE- ITEM NUMBER	PART NUMBER	UNITS PER ASM	DESCRIPTION			
			1	2	3	4
3 -	NO #	1	CLUB CAR SOLID STATE FULLY AUTOMATIC (MODEL 10470) FOR ILLUSTRATION, SEE FIGURE 6-3			
	NO #	1	CLUB CAR SOLID STATE FULLY AUTOMATIC (MODEL 11340) FOR ILLUSTRATION, SEE FIGURE 6-3			
- 1	1013515	1	CASE ASSEMBLY (MODEL 10470)			
- 1	1014237	1	CASE ASSEMBLY (MODEL 11340)			
- 2	7577	8	SCREW, SELF-THREAD, #10 AB X 1/4"			
- 3	1013510	1	TRANSFORMER			
- 4	403	4	SCREW, HEX, 1/4-20 X 5/8"			
- 5	1012123	4	LOCKNUT, "K", 1/4-20			
- 6	1012095	1	CAPACITOR			
- 7	1013516	1	INSULATOR			
- 8	1012102	1	HEATSINK			
- 9	1012131	2	INSULATING WASHER			
- 10	183	2	FLATWASHER, #10			
- 11	1012133	2	LOCKNUT, "K", #10-32			
- 12	1012127	2	SCREW, WHIZ LOCK, #10-32 X 1/2"			
- 13	1012101	1	FUSE ASSEMBLY			
- 14	1012130	2	SCREW, SELF-THREAD, #7 X 1/2"			
- 15	1012098	2	BUSHING			
- 16	1013688	1	D.C. CORDSET			
- 17	1013514	1	A.C. CORDSET			
- 18	1014702	1	TIMER (MODEL 10470)			
- 18	1014202	1	TIMER WITH STOP BUTTON (MODEL 11340)			
- 19	1013517	2	SCREW, SELF-THREAD, #8 AB X 3/8"			
- 20	1013513	1	CONTROL CABLE			
- 21	1013512	1	RELAY			
- 22	1012128	4	SCREW, #8-32 X 5/8"			
- 23	1013518	2	LOCKNUT, "K", #8-32			
- 24	1011571	1	NUT, HEX, #8-32			
- 25	1013934	1	OWNER'S MANUAL (MODEL 10470)			
- 26	1014190	1	OWNER'S MANUAL (MODEL 11340)			
- 27	1013865	A/R	DECAL, BATTERY CHARGER CASE			





Section VII

ACCESSORIES

ACCESSORIES INDEX

ACCESSORIES ILLUSTRATED

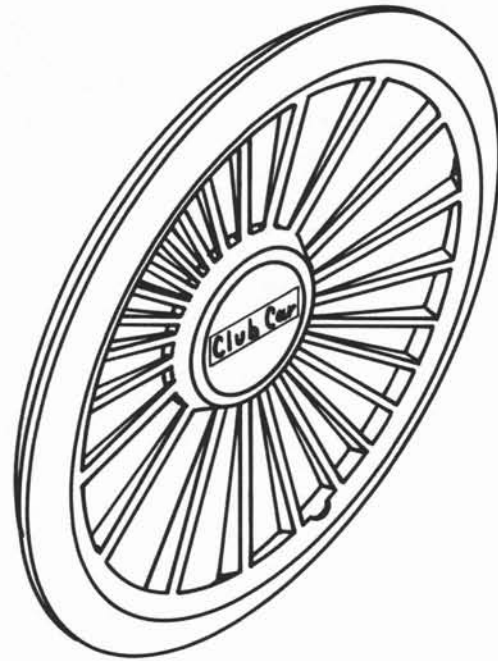
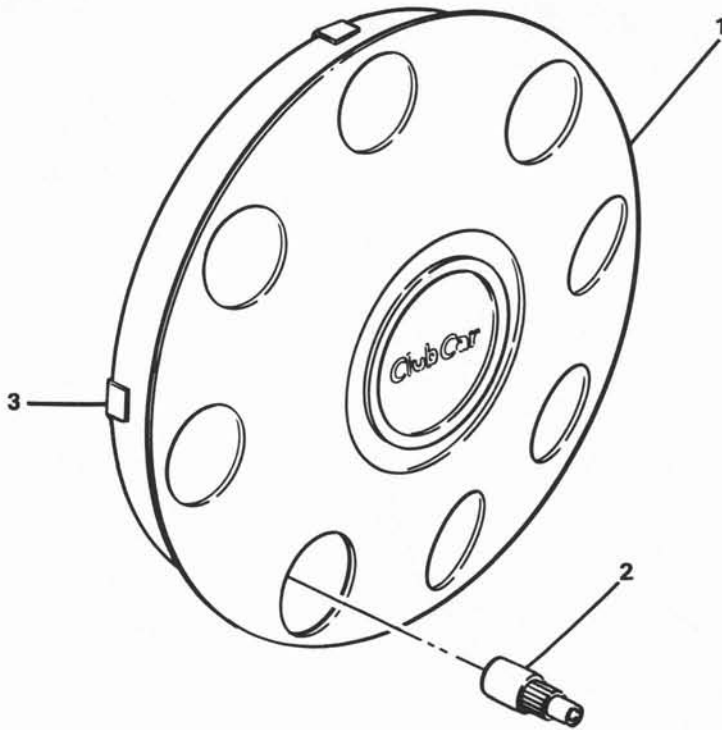
DESCRIPTION	PAGE NO.
Figure 7-1. Wheel Cover	7-2
Figure 7-2. Rake Holder	7-3
Figure 7-3. Sweater Basket	7-4
Figure 7-4. AM/FM Stereo Radio	7-5
Figure 7-5. Four-Passenger Conversion Kit	7-6
Figure 7-6. Sports Canopy Windshield	7-8
Figure 7-7. Canopy (4-Passenger)	7-10
Figure 7-8. Sports Canopy (Standard DS)	7-12
Figure 7-9. Two-Bag Attachment Kit (4-Passenger)	7-14
Figure 7-10. Four-Bag Attachment Kit (2-Passenger)	7-16
Figure 7-11. Trailer Hitch	7-18
Figure 7-12. Permanent Type Towing	7-20
Figure 7-13. Light Duty Tow Bar	7-22
Figure 7-14. Lighting Package (Standard and Deluxe)	7-24 & 7-25
Rear View Mirror Kit	7-26
Battery Condition Indicator Kit	7-27
36 Volt Hourmeter Kit	7-29
Ashtray Kit	7-30

ACCESSORIES NOT ILLUSTRATED

DESCRIPTION	PART NO.
Adjustable Seat Back Kit	1011794
Scuffguard Kit	1014851
Battery Protector Spray	1015807
Number Decal - Rectangular (Each)	1012173
Woodgrain Decal Kit	1012091
Black and Gold Pin Stripe Kit	1014882
Replacement Gauge No.	1015823
Information Holder	1014825
Snap-On Tee Holder	1013122
Hubodometer and Mounting Bracket	1010282
Fiberglass Repair Kit	1012093
Sperry Multi Tester	1011480
Hydrometer	1011478
Battery Tester (Discharge Machine)	1010687
Continuity Tester	1011273
Battery Thermometer	1011767
Retaining Ring Pliers (45° External)	1012549
Retaining Ring Pliers (90° Internal)	1012560
Keyswitch Tool	1012801
Seal Puller	1012809
Bearing Puller	1012811
Bearing Puller Wedge Attachment	1012812
Enclosure, Std. Car	1013132
Enclosure, 4-Passenger	1011517
Touch-Up Paint — Beige	1011981
Touch-Up Paint — White	1013145
Bagwell Protector Kit	1014725
Sand Bucket Kit — Tan	1013173
Sand Bucket Kit — Black	1016049
Sand Bucket Kit — White	1015135
Sand Bucket Kit — Beige (20 Pack)	1014464
Sand Bucket Kit — Black (20 Pack)	1016056
Dry Moly Lubricant	1012151
Sand Bottle Kit (Beige)	1015023-02
Sand Bottle Kit (White)	1015023-04

FIGURE 7-1. FLAT WHEEL COVER.

FIGURE 7-2. RIBBED SPORT WHEEL COVER.



FIGURES 7-1 AND 7-2. WHEEL COVERS. SEE LIST 7-1 AND 7-2.

FIGURE- ITEM NUMBER	PART NUMBER	UNITS PER ASM	DESCRIPTION			
			1	2	3	4
1 -	1012642	4	FLAT WHEEL COVER KIT INCLUDES ITEMS 1 AND 2			
- 1	NO #	1	FLAT WHEEL COVER			
- 2	1012641	1	AIR VALVE EXTENSION			
- 3	1014452	A/R	HUBCAP CLIP			
2 -	1014964	4	WHEEL COVER (RIBBED SPORT)			

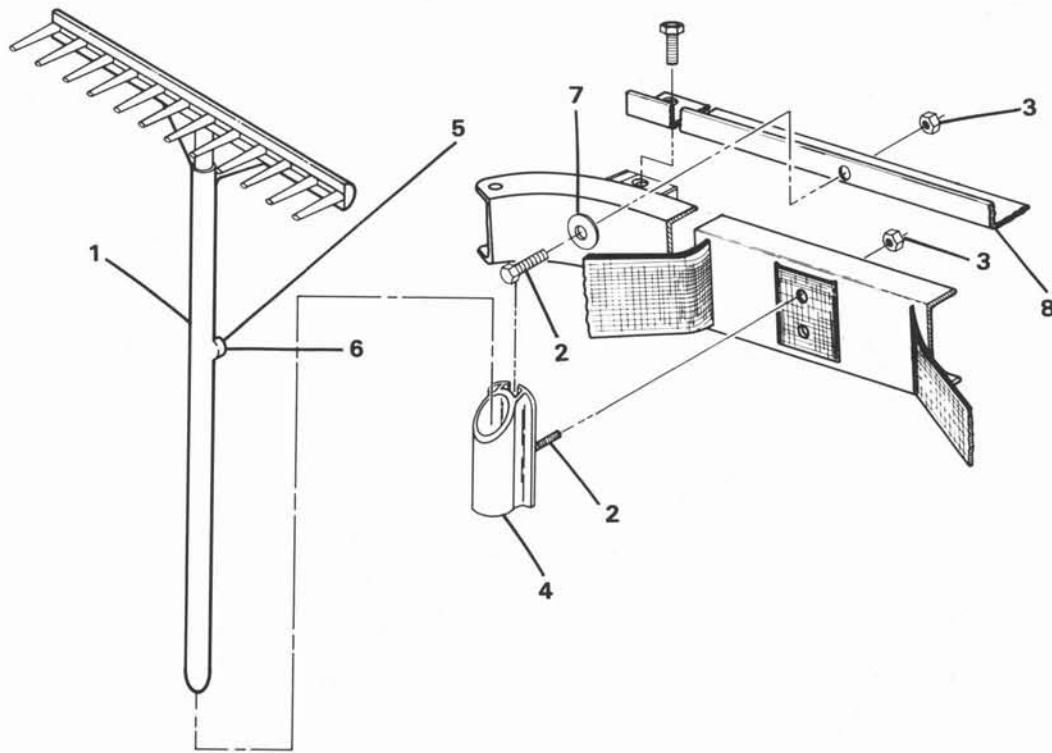


FIGURE 7-2. RAKE HOLDER. SEE LIST 7-2.

FIGURE- ITEM NUMBER	PART NUMBER	UNITS PER ASM	DESCRIPTION			
			1	2	3	4
2 -	1010408	1	RAKE AND RAKE HOLDER KIT INCLUDES ITEMS 1 THRU 4			
- 1	1010236	1	RAKE ASSEMBLY			
- 2	7847	2	BOLT 1/4-20 UNC x 3/4" HEX HEAD			
- 3	8233	2	NUT, 1/4-20 LOCK			
- 4	1013665	1	RAKE HOLDER KIT INCLUDES ITEMS 2 AND 3			
- 5	1012565	1	#12 PHILLIPS HEAD SCREW			
- 6	1010237	1	RAKE HANDLE STOP			
- 7	1011697	1	FLATWASHER, WIDE			
- 8	1014402	1	MOUNTING BRACKET			

ClubCar®

DS ELECTRIC

Manual No. 1013165 - Issue Date 9/91
Effective Serial No. A8036-15260 thru _____

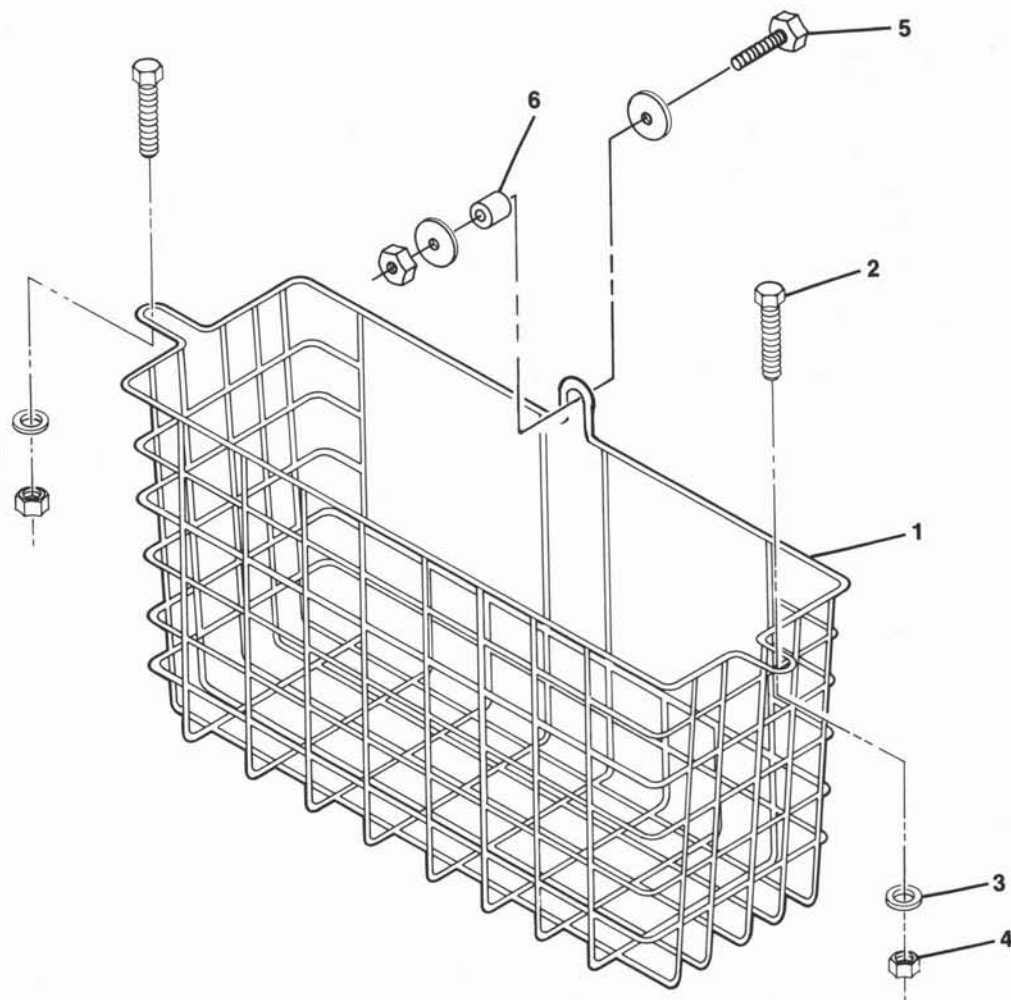


FIGURE 7-3. SWEATER BASKET. SEE LIST 7-3.

FIGURE- ITEM NUMBER	PART NUMBER	UNITS PER ASM	DESCRIPTION			
			1	2	3	4
3 -	1014460 1014781	1 1	SWEATER BASKET KIT (BEIGE) SWEATER BASKET KIT (WHITE) INCLUDES ITEMS 1 THRU 7			
- 1	1014446	1	SWEATER BASKET (BEIGE)			
- 1	1014779	1	SWEATER BASKET (WHITE)			
- 2	304	2	BOLT, HEX HEAD 1/4-20 X 1"			
- 3	1011697	4	FLATWASHER, 5/16"			
- 4	8233	3	LOCKNUT, NYLON, 1/4-20			
- 5	8418	1	TRUSS HEAD SCREW 1/4-20 X 1.50			
- 6	1014482	1	SPACER, NYLON			

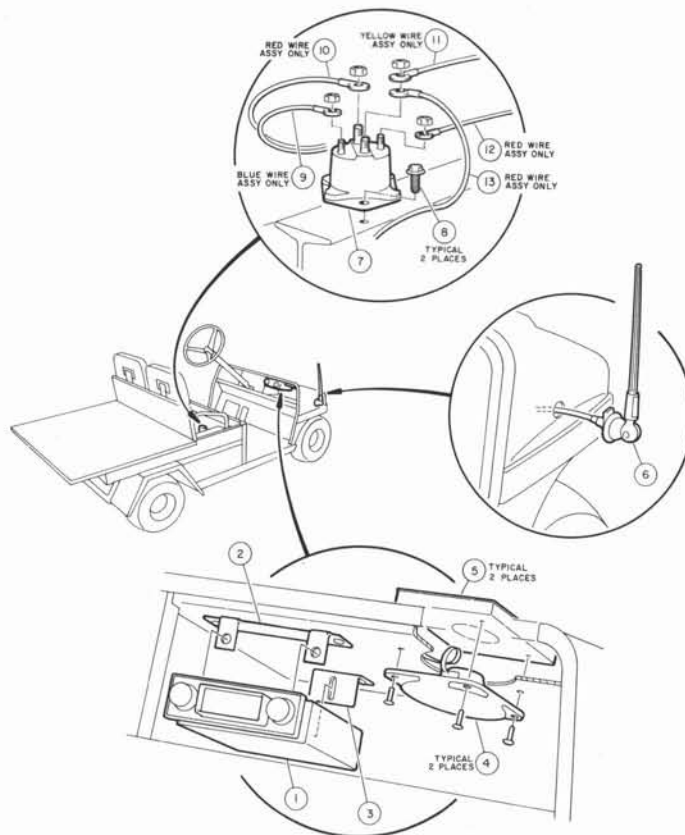
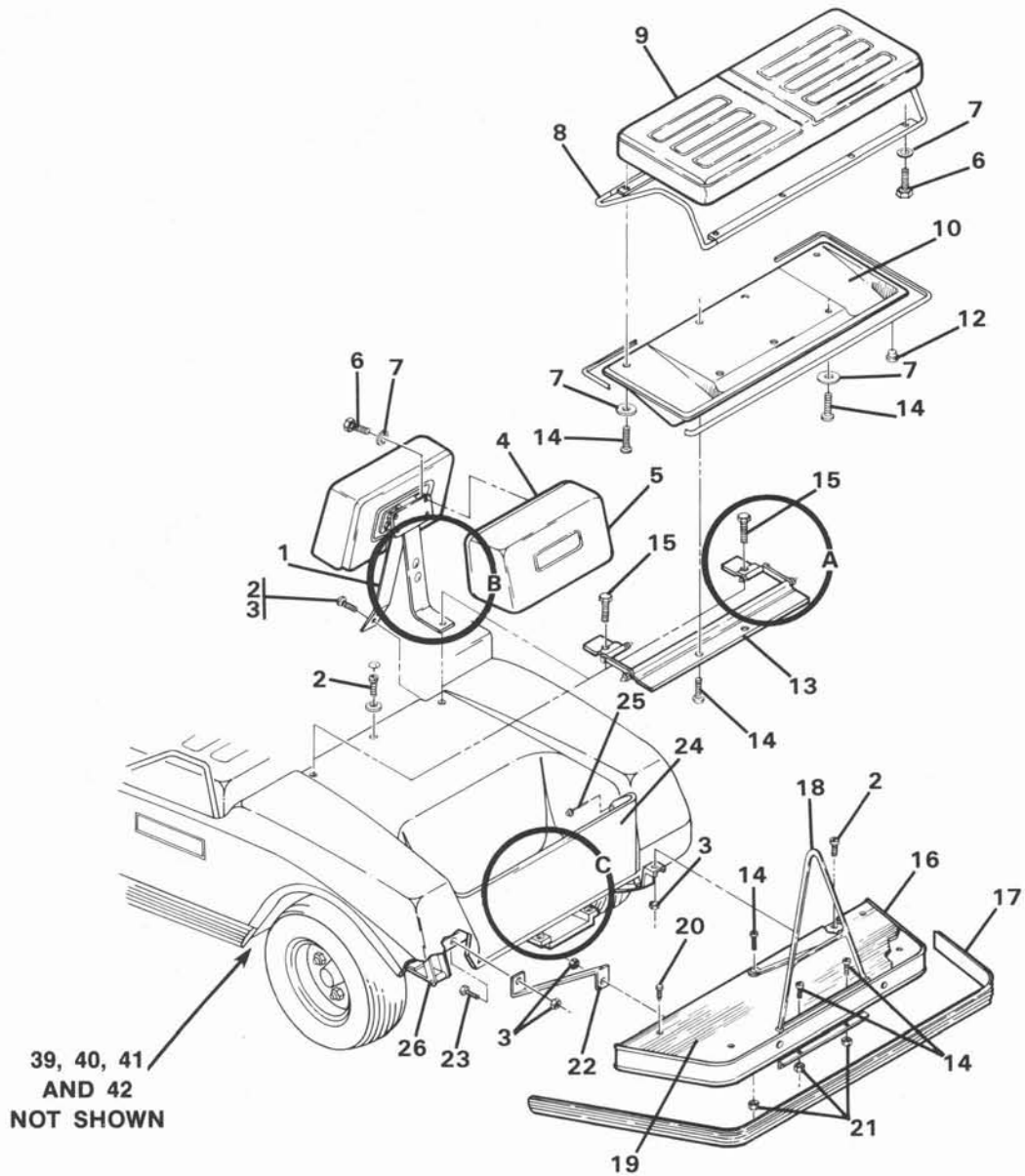
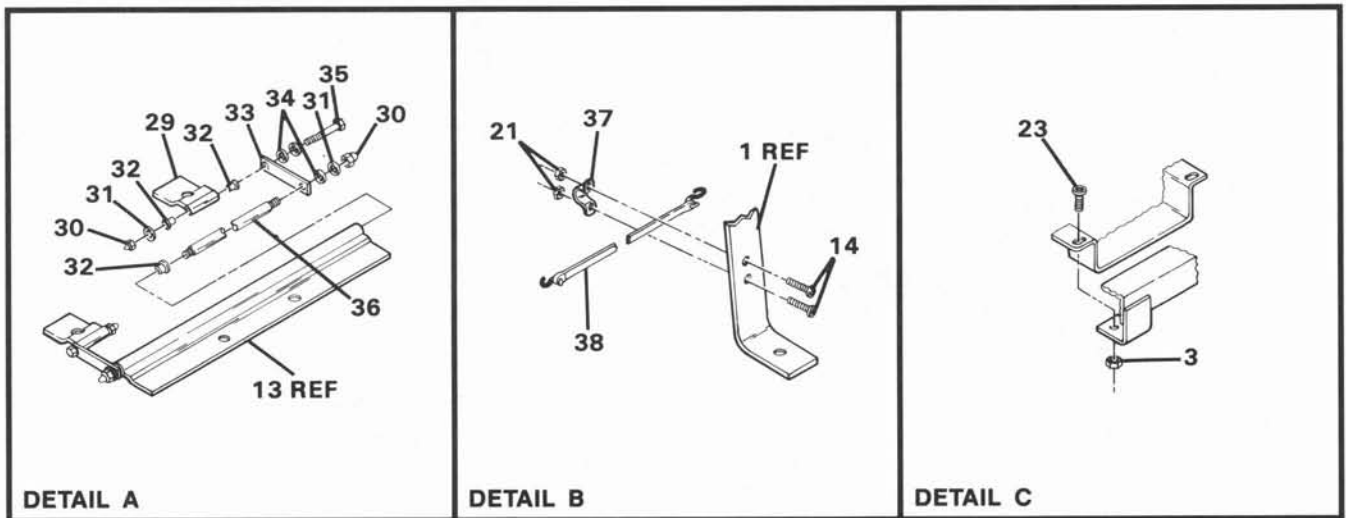


FIGURE 7-4. AM/FM STEREO RADIO. SEE LIST 7-4.

FIGURE- ITEM NUMBER	PART NUMBER	UNITS PER ASM	DESCRIPTION			
			1	2	3	4
4 -	1011658	1	AM/FM STEREO RADIO KIT INCLUDES ITEMS 1 THRU 23			
- 1	1015204	1	RADIO			
- 2	1015178	1	FRONT MOUNTING BRACKET			
- 3	1015176	1	REAR MOUNTING BRACKET			
- 4	1014534	1	SPEAKERS INCLUDES 2 SPEAKERS WITH MOUNTING HARDWARE			
- 5	1011696	2	SPEAKER INSULATION			
- 6	1015508	1	RADIO ANTENNA INCLUDES MOUNTING HARDWARE			
- 7	8016	1	SOLENOID			
- 8	1012285	2	HEX WASH HEAD SCREW, 1/4-20 X 5/8"			
- 9	1015206	1	BLUE WIRE ASSEMBLY, 63"			
- 10	1015183	1	RED WIRE ASSEMBLY, 62"			
- 11	1015184	1	YELLOW WIRE ASSEMBLY, 62"			
- 12	1015205	1	RED WIRE ASSEMBLY, 12"			
- 13	1015207	1	RED WIRE ASSEMBLY, 36"			
	NO #		MISC. INSTALLATION HARDWARE NOT SHOWN ON ILLUSTRATION			
- 14	1015185	2	WIRE NUT			
- 15	8104	2	SLOT ROUND HEAD SCREW, #10-32 X 3/4"			
- 16	183	3	FLATWASHER, #10			
- 17	8049	2	INTERNAL TOOTH LOCKWASHER, #10			
- 18	7893	2	HEX NUT, #10-32			
- 19	8248	2	PHILLIPS TRUSS HEAD SCREW, 1/4-20 X 3/4"			
- 20	1014306	2	WIDE FLATWASHER, 1/4" DIAMETER			
- 21	451	2	LOCKWASHER, 1/4" DIAMETER			
- 22	1028	2	HEX NUT, 1/4-20			
- 23	8990	4	WIRE TIE			



39, 40, 41
AND 42
NOT SHOWN



DETAIL A

DETAIL B

DETAIL C

FIGURE 7-5. FOUR-PASSENGER CONVERSION KIT. SEE LIST 7-5.

Manual No. 1013165 - Issue Date 9/91
Effective Serial No. A8036-15260 thru _____



FOUR-PASSENGER CONVERSION KIT

FIGURE- ITEM NUMBER	PART NUMBER	UNITS PER ASM	DESCRIPTION			
			1	2	3	4
5 -	1014183	1	FOUR-PASSENGER CONVERSION KIT (BUFF SEAT)			
-	1011513	1	FOUR-PASSENGER CONVERSION KIT (WHITE SEAT)			
- 1	1011182	2	SEAT BACK SUPPORT ASSEMBLY			
- 2	7410	2	SCREW, PHILLIPS TRUSS HEAD, 5/16-18 x 1-1/4"			
- 3	7473	12	LOCKNUT, NYLON, 5/16-18			
- 4	1013938	4	SEAT BACK CAP (TAN)			
- 4	1011231	4	SEAT BACK CAP (BEIGE)			
- 4	1013335	4	SEAT BACK CAP (BLACK)			
- 5	1015651-01	4	SEAT BACK ASSEMBLY (BUFF WITH TAN CAP)			
- 5	1015651-02	4	SEAT BACK ASSEMBLY (WHITE WITH BLACK CAP)			
- 5	1015651-03	4	SEAT BACK ASSEMBLY (NON-STANDARD WITH BLACK CAP)			
- 5	1015651-04	4	SEAT BACK ASSEMBLY (WHITE WITH BEIGE CAP)			
- 6	304	20	BOLT, HEX HEAD, 1/4-20 x 1"			
- 7	8304	20	LOCKWASHER, INTERNAL TOOTH, 1/4"			
- 8	1015671	1	ARMREST ASSEMBLY, SEAT BOTTOM KIT			
- 9	1015648-01	1	SEAT BOTTOM ASSEMBLY (BUFF)			
- 9	1015648-02	1	SEAT BOTTOM ASSEMBLY (WHITE)			
- 9	1015648-03	1	SEAT BOTTOM ASSEMBLY (NON-STANDARD)			
- 10	1011210	1	SEAT SUPPORT			
- 12	1011389	1	RUBBER BUMPER PACKAGE			
- 13	1011220	1	HINGE (LONG)			
- 14	8251	14	SCREW, PHILLIPS TRUSS HEAD, 1/4-20 x 1"			
- 15	1010577	2	BOLT, HEX HEAD, 5/16-18 x 1-1/2"			
- 16	1011190	1	FOOTREST WELD ASSEMBLY			
- 17	1011207	1	BUMPER GUARD			
- 18	1011309	1	HANDRAIL			
- 19	1014998	1	FOOTREST MAT			
- 20	1010434	4	PLASTIC BARRELS			
- 21	8233	7	LOCKNUT, NYLON 1/4-20			
- 22	1011204	2	CONNECTING BAR			
- 23	1218	8	BOLT, HEX HEAD, 5/16-18 x 1-1/4"			
- 24	1011348	1	REAR PANEL			
- 25	7532	4	POP RIVET, 3/16"			
- 26	1014675	2	SPRING REAR (CRI, 4 PASS)			
- 29	1011221	2	HINGE (SHORT)			
- 30	1010628	4	NUT, CENTERLOCK CAP			
- 31	1010695	6	CURVED SPRING WASHER			
- 32	8028	6	NYLON BUSHING			
- 33	1011224	2	HINGE LINKAGE ARM			
- 34	332	2	FLATWASHER, 1/4"			
- 35	1012159	2	BOLT, HEX HEAD, 1/4-20 x 2-3/4"			
- 36	1011222	1	HINGE PIN (LONG)			
- 37	1011235	2	CORD RETAINER			
- 38	1011238	1	BUNGIE CORD — DIPPED			
- 39	1014902	2	U-BOLT			
- 40	1014549	2	BUMPER MOUNT			
- 41	1014552	2	BUMPER			
- 42	1014901	2	SPACER			
- 43	1016072	1	36 VOLT SOLENOID (NOT INCLUDED IN KIT) {NOT SHOWN}			
- 44	1241	12	5/16" FLATWASHER			



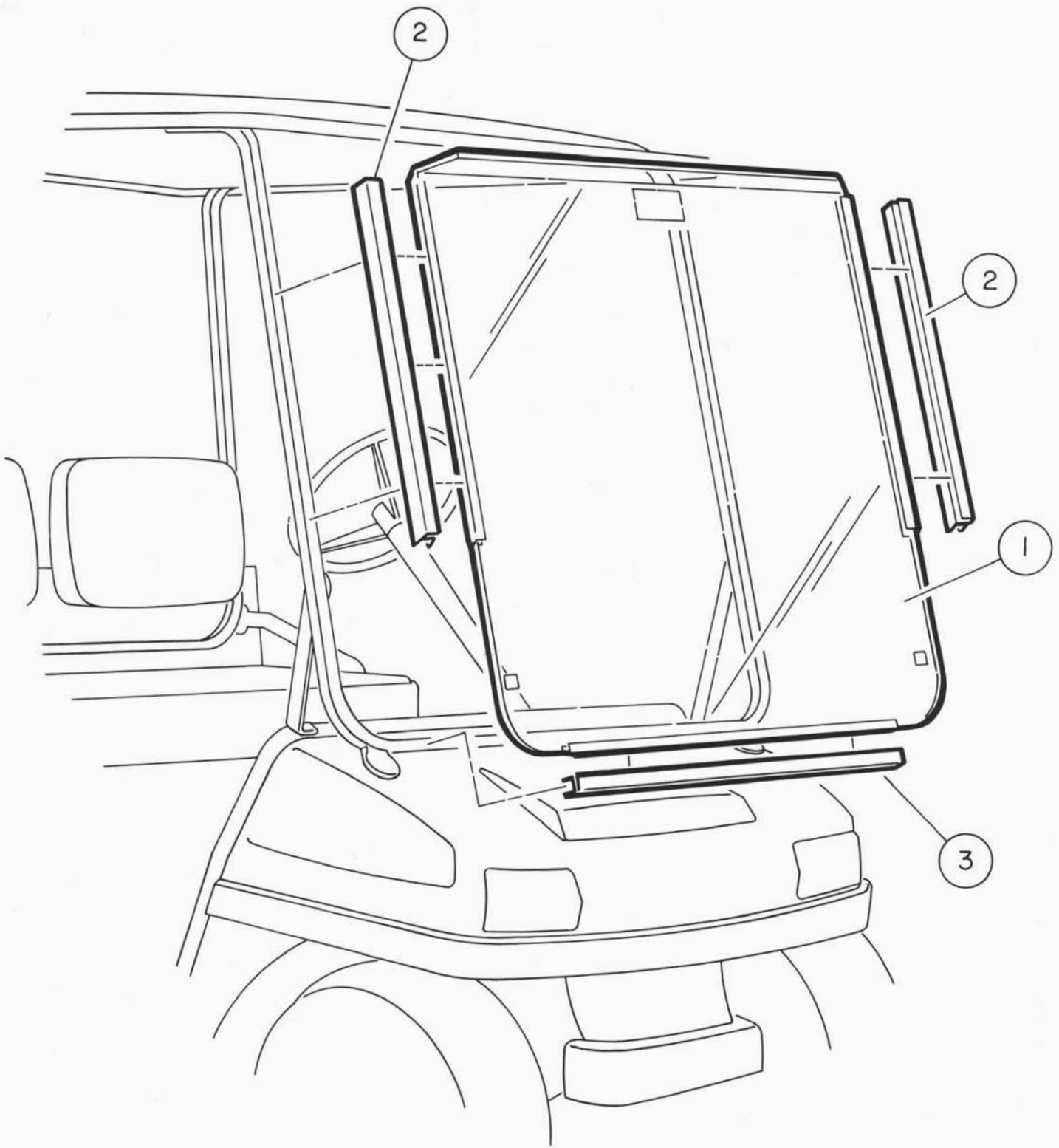


FIGURE 7-6. SPORTS CANOPY WINDSHIELD. SEE LIST 7-6.

ClubCar®

DS ELECTRIC

Manual No. 1013165 - Issue Date 9/91
Effective Serial No. A8146-26295 thru _____

SPORTS CANOPY WINDSHIELD

FIGURE- ITEM NUMBER	PART NUMBER	UNITS PER ASM	DESCRIPTION			
			1	2	3	4
6 -	1014435	1	SPORTS CANOPY WINDSHIELD KIT INCLUDES ITEMS 1 THRU 5			
- 1	NO #	1	WINDSHIELD			
- 2	1014441	2	WINDSHIELD CHANNEL (SIDES)			
- 3	1014437	1	WINDSHIELD CHANNEL (BOTTOM)			
- 4	1011897	2	BUMPER			
- 5	NO #	1	VINYL SEALANT 30" (SEE ITEM 7)			
- 6	1014436	A/R	VINYL TRIM EXTRUSION (ORDER BY FEET ONLY)			
- 7	NO #	2	VINYL SEALANT 23" (SEE ITEM 7)			



Manual No. 1013165 - Issue Date 9/91
 Effective Serial No. A8146-26295 thru _____

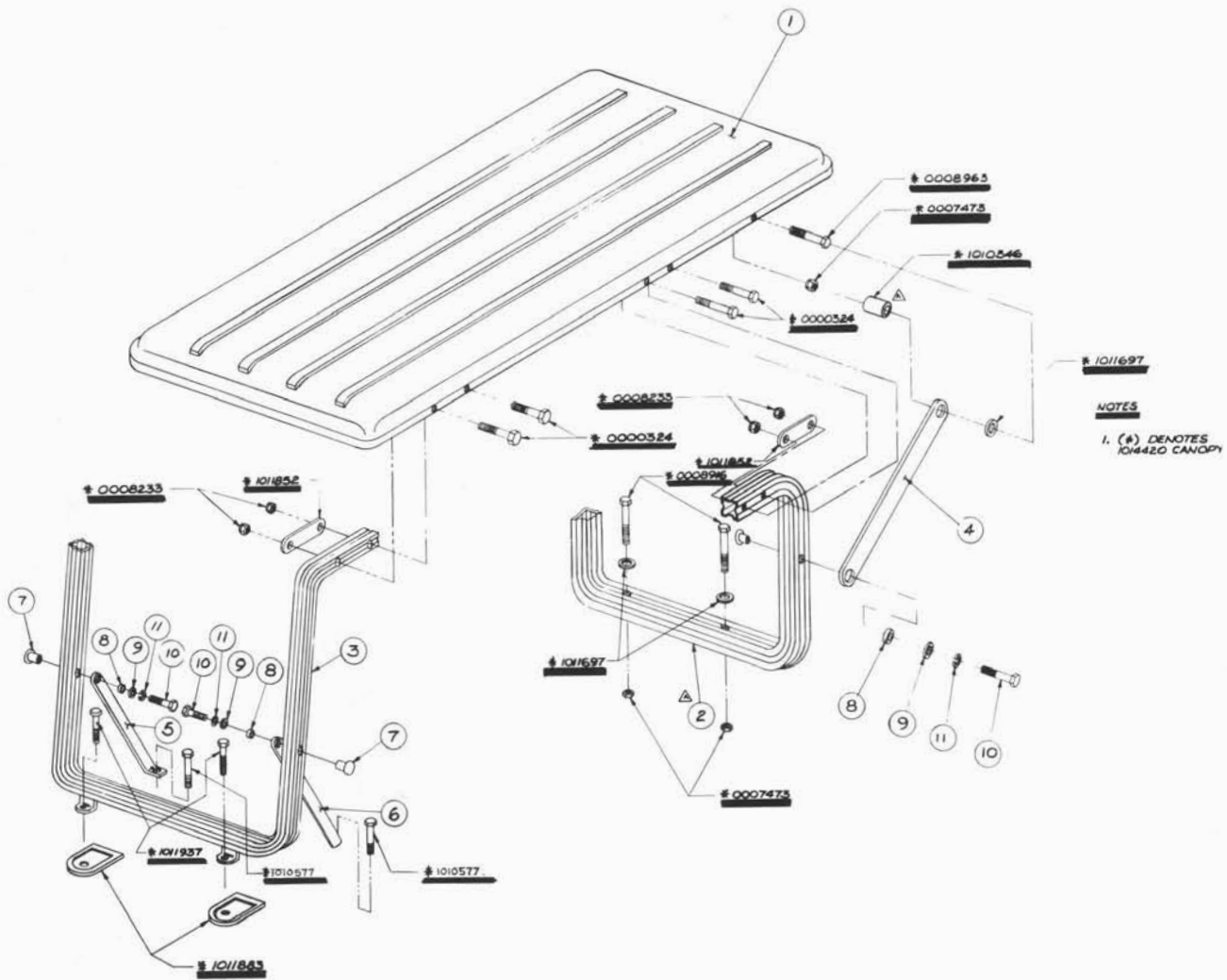


FIGURE 7-7. CANOPY (4-PASSENGER). SEE LIST 7-7.

ClubCar®

DS ELECTRIC

CANOPY (4-PASSENGER)

FIGURE- ITEM NUMBER	PART NUMBER	UNITS PER ASM	DESCRIPTION			
			1	2	3	4
7 -	1014434	1				FOUR PASSENGER CANOPY KIT (BEIGE)
	1014898	1				FOUR PASSENGER CANOPY KIT (WHITE)
- 1	1014423	1				CANOPY AND TRIM ASSEMBLY (BEIGE)
- 1	1014899	1				CANOPY AND TRIM ASSEMBLY (WHITE)
- 2	1014419	1				REAR CANOPY BRACE
- 3	1011868	1				WINDSHIELD FRAME ASSEMBLY
- 4	1011938	2				REAR CANOPY BRACE
- 5	1011862	1				KNEE BRACE — RIGHT
- 6	1011865	1				KNEE BRACE — LEFT
- 7	1011878	4				CAPPED TEENUT
- 8	1010237	4				BUSHING
- 9	1011964	4				1/4" FLATWASHER
- 10	1703	4				1/4-20 X 1.5 HEX HEAD BOLT
- 11	1011965	4				1/4" LOCKWASHER
- 12	1014420	1				4-PASSENGER MOUNTING HARDWARE KIT (* INDICATES ITEMS IN KIT)



Manual No. 1013165 - Issue Date 9/91
 Effective Serial No. A8036-15260 thru _____

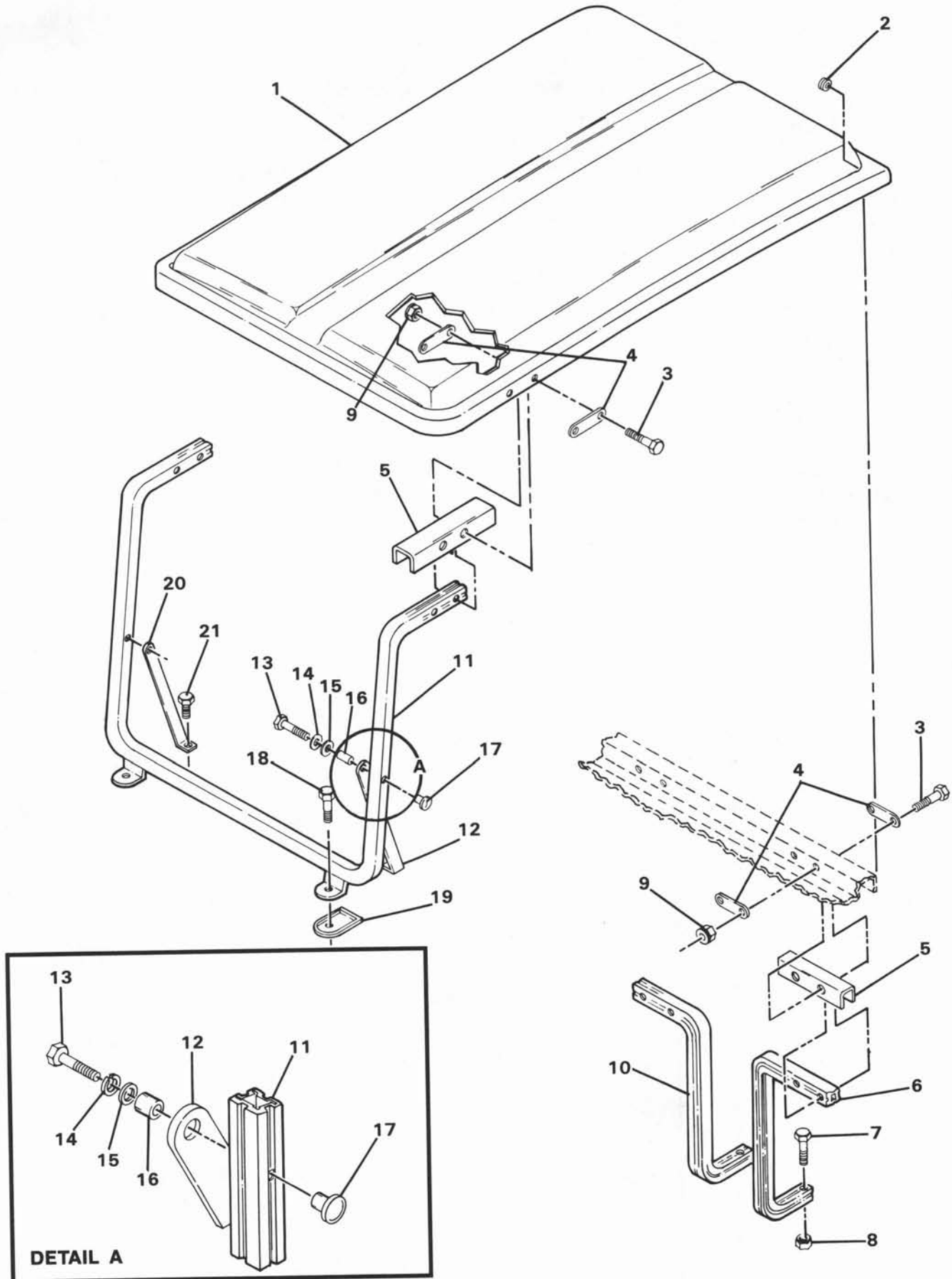


FIGURE 7-8. SPORTS CANOPY (STANDARD DS). SEE LIST 7-8.

ClubCar®

DS ELECTRIC

SPORTS CANOPY (STANDARD DS)

FIGURE- ITEM NUMBER	PART NUMBER	UNITS PER ASM	DESCRIPTION			
			1	2	3	4
8 -	1011886	1	SPORTS CANOPY (BEIGE) KIT DOES NOT INCLUDE ITEMS 2 AND 8			
	1014538	1	SPORTS CANOPY (WHITE) KIT			
- 1	1011871	1	CANOPY ASSEMBLY (BEIGE)			
- 1	1014558	1	CANOPY ASSEMBLY (WHITE)			
- 2	1011942	2	MODIFIED GROMMET			
- 3	7311	8	BOLT, HEX HEAD, 1/4-20 x 2"			
- 4	1011852	8	CANOPY TRIM PLATE			
- 5	1012008	4	SIDE CANOPY SUPPORT			
- 6	1011855	1	LEFT REAR BRACE			
- 7	8916	2	BOLT, HEX HEAD, 5/16-18 x 2"			
- 8	7473	2	LOCKNUT, NYLON, 5/16-18			
- 9	8233	8	LOCKNUT, NYLON, 1/4-20			
- 10	1011856	1	RIGHT REAR BRACE			
- 11	1011868	1	WINDSHIELD FRAME ASSEMBLY			
- 12	1011865	1	KNEE BRACE — LEFT			
- 13	1703	2	BOLT, HEX HEAD, 1/4-20 x 1-1/2"			
- 14	1011965	2	LOCKWASHER, 1/4" STAINLESS			
- 15	1011964	2	FLATWASHER, 1/4" STAINLESS			
- 16	1010237	2	BUSHING			
- 17	1011878	2	CAPPED TEENUT			
- 18	1011937	2	BOLT, HEX HEAD, W/NYLON PATCH, 5/16-18 x 1-1/4"			
- 19	1011883	2	WINDSHIELD FRAME MOUNTING PAD			
- 20	1011862	1	KNEE BRACE — RIGHT			
- 21	1218	2	BOLT, HEX HEAD, 5/16-18 x 1-1/4"			



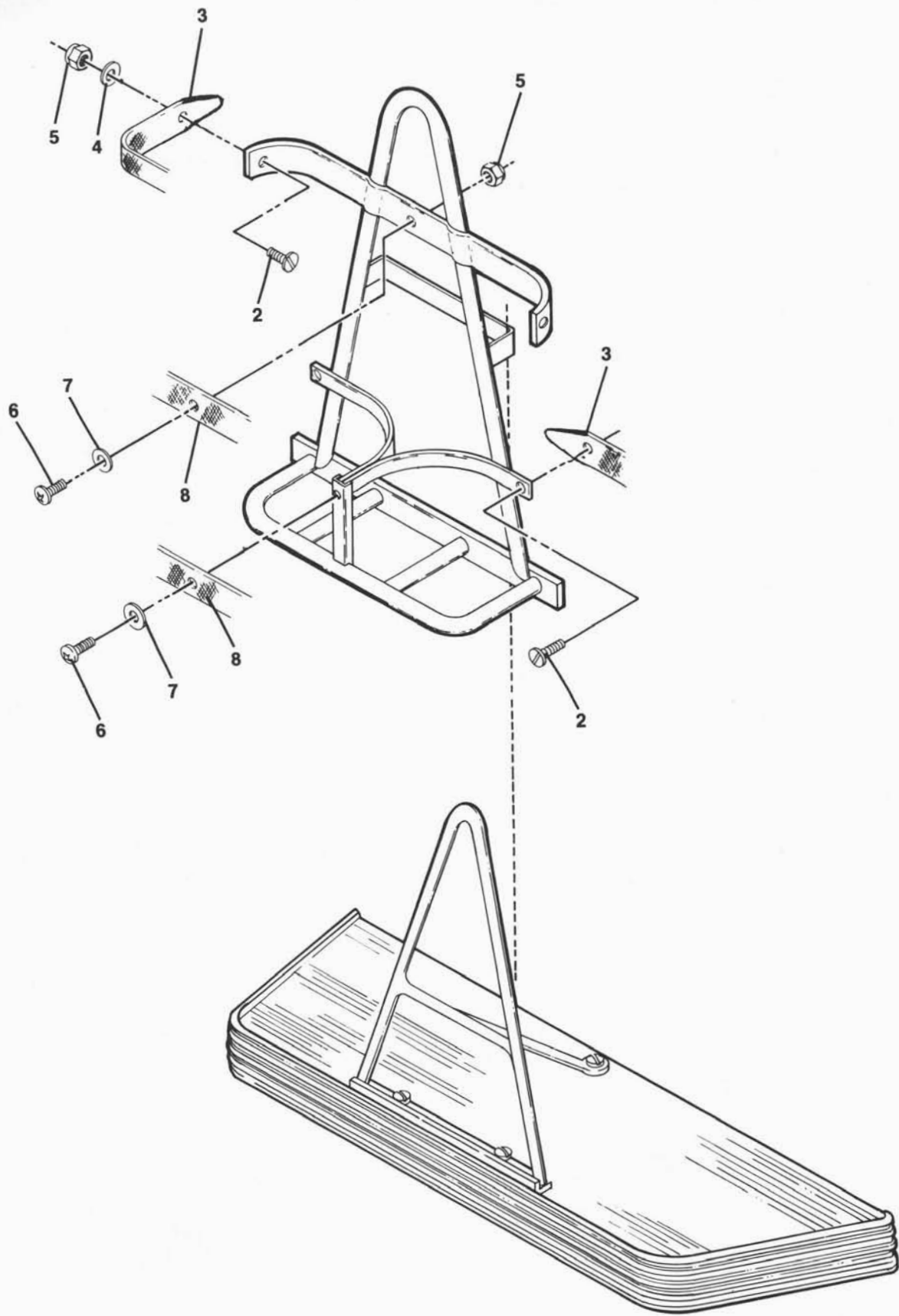


FIGURE 7-9. 2-BAG ATTACHMENT KIT (4-PASSENGER). SEE LIST 7-9.

2-BAG ATTACHMENT KIT (4-PASSENGER)

FIGURE- ITEM NUMBER	PART NUMBER	UNITS PER ASM	DESCRIPTION			
			1	2	3	4
9 -	1011519	1	2-BAG ATTACHMENT KIT (4-PASSENGER) INCLUDES ALL ITEMS			
- 1	NO #	1	2-BAG ATTACHMENT WELD ASSEMBLY			
- 2	1107	4	SCREW, FLAT HEAD, 1/4-20			
- 3	7935	4	BAG RACK STRAP			
- 4	332	4	FLATWASHER, 1/4"			
- 5	8233	6	LOCKNUT, NYLON, 1/4-20			
- 6	8419	2	SCREW, PHILLIPS, 1/4-20			
- 7	1011578	2	FLATWASHER, 1/4"			
- 8	8463	2	LONG BAG STRAP			



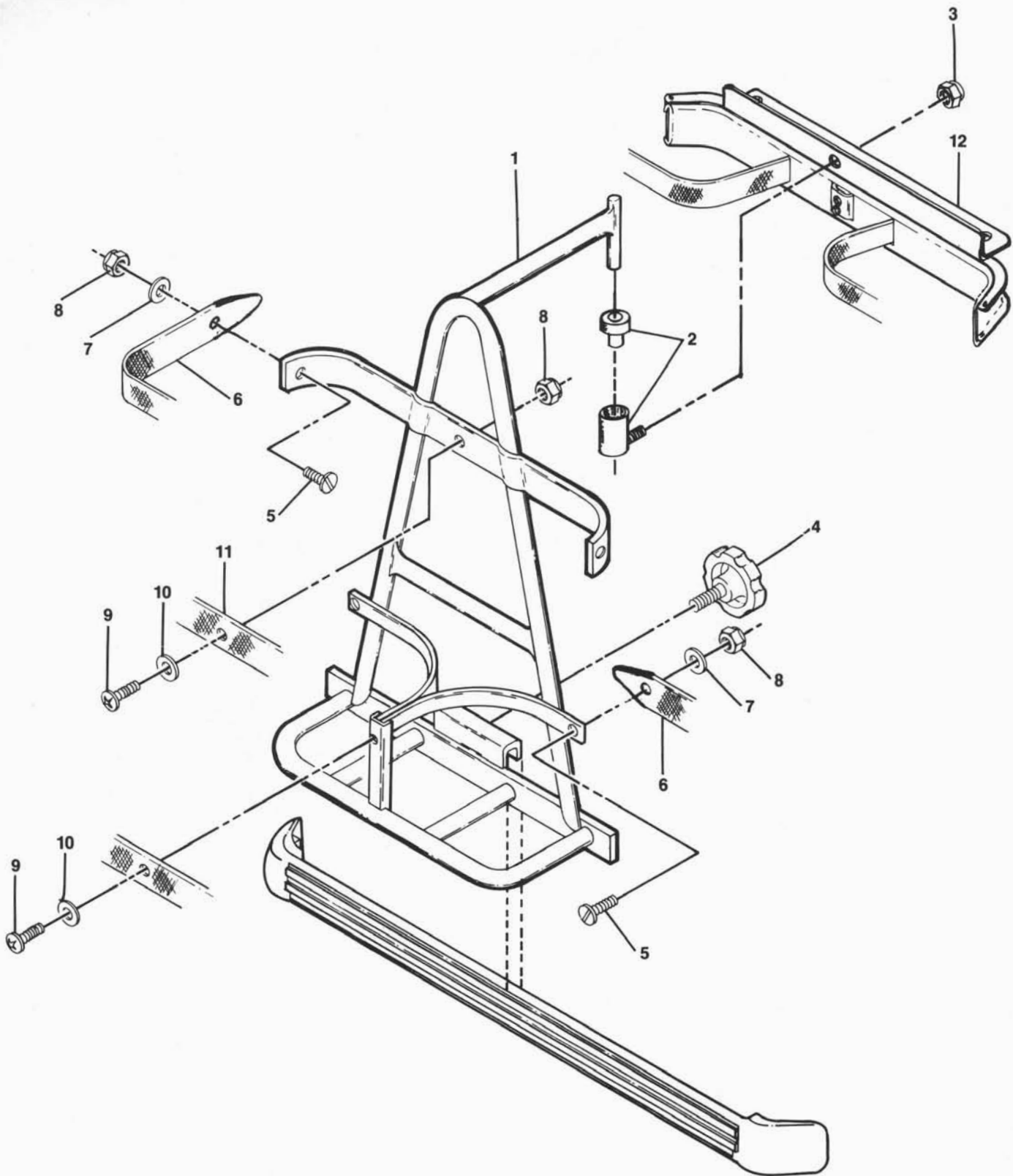


FIGURE 7-10. 4-BAG ATTACHMENT KIT (2-PASSENGER). SEE LIST 7-10.

4-BAG ATTACHMENT KIT (2-PASSENGER)

FIGURE-ITEM NUMBER	PART NUMBER	UNITS PER ASM	DESCRIPTION
10 -	1011907	1	4-BAG ATTACHMENT KIT (2-PASSENGER) INCLUDES ALL ITEMS
- 1	NO #	1	4-BAG ATTACHMENT WELD ASSEMBLY
- 2	1011910	1	STEM CAVITY KIT INCLUDES ITEM 3
- 3	8233	1	LOCKNUT, NYLON, 1/4-20
- 4	1011761	1	KNOB
- 5	1107	4	SCREW, FLAT HEAD, 1/4-20
- 6	7935	4	BAG RACK STRAP
- 7	332	4	FLATWASHER, 1/4"
- 8	8233	6	LOCKNUT, NYLON, 1/4-20
- 9	8419	2	SCREW, PHILLIPS, 1/4-20
- 10	1011578	2	FLATWASHER, 1/4"
- 11	8463	2	LONG BAG STRAP
- 12	1014402	1	MOUNTING BRACKET



Manual No. 1013165 - Issue Date 9/91
 Effective Serial No. A8036-15260 thru _____

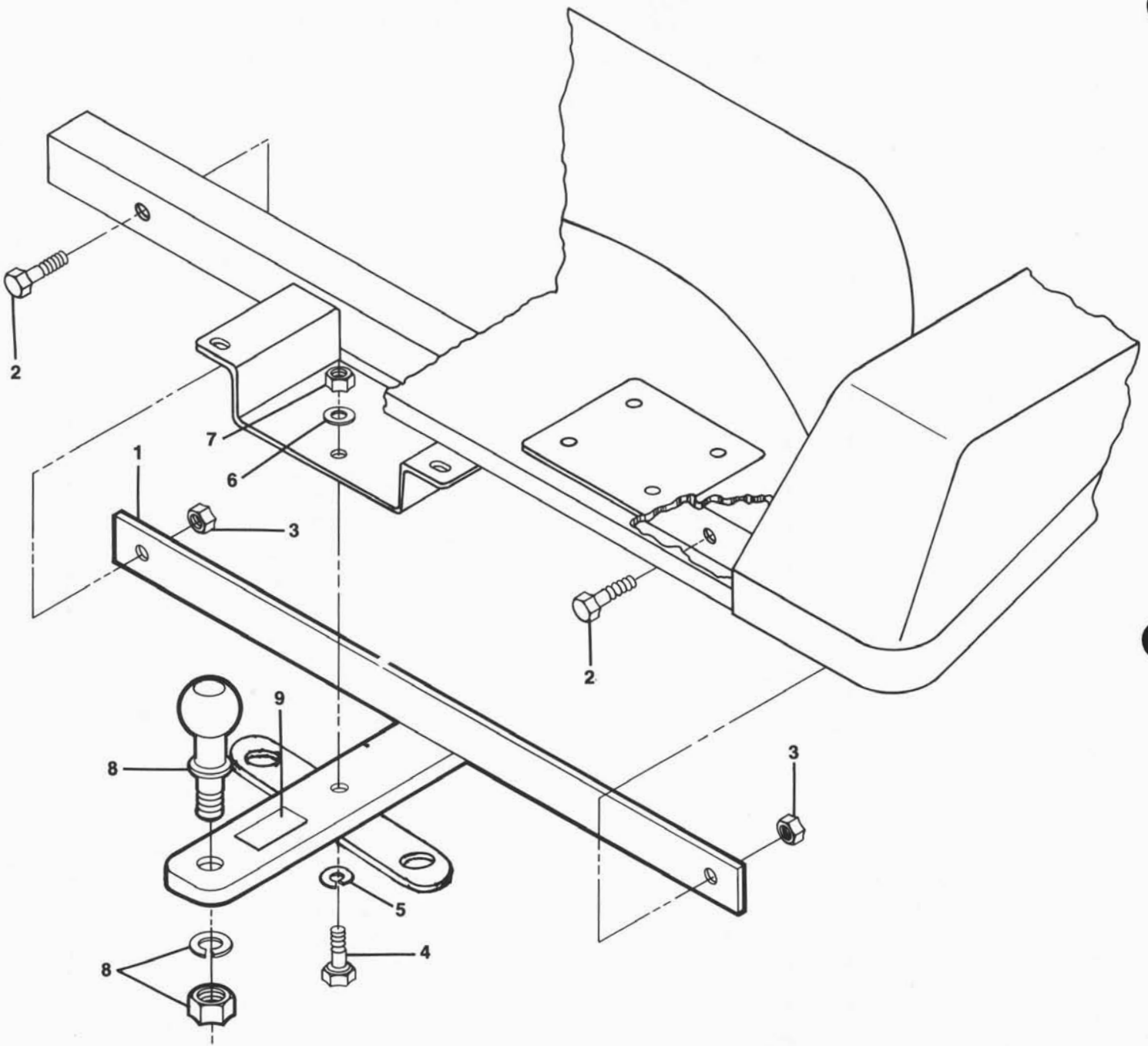


FIGURE 7-11. TRAILER HITCH. SEE LIST 7-11.

TRAILER HITCH

FIGURE-ITEM NUMBER	PART NUMBER	UNITS PER ASM	DESCRIPTION
11 -	1011522	1	TRAILER HITCH KIT INCLUDES ITEMS 1 THRU 9
- 1	NO #	1	TRAILER HITCH WELD ASSEMBLY
- 2	1218	2	BOLT, HEX HEAD, 5/16-18 x 1-1/4"
- 3	7473	2	LOCKNUT, NYLON, 5/16-18
- 4	1624	1	BOLT, HEX HEAD, 3/8-16 x 1-1/2"
- 5	357	1	LOCKNUT, 3/8"
- 6	808	1	FLATWASHER, 3/8"
- 7	706	1	NUT, HEX, 3/8-16
- 8	1011546	1	TRAILER BALL W/NUT AND LOCKWASHER — 1-7/8"
- 9	1011553	1	TRAILER HITCH DECAL



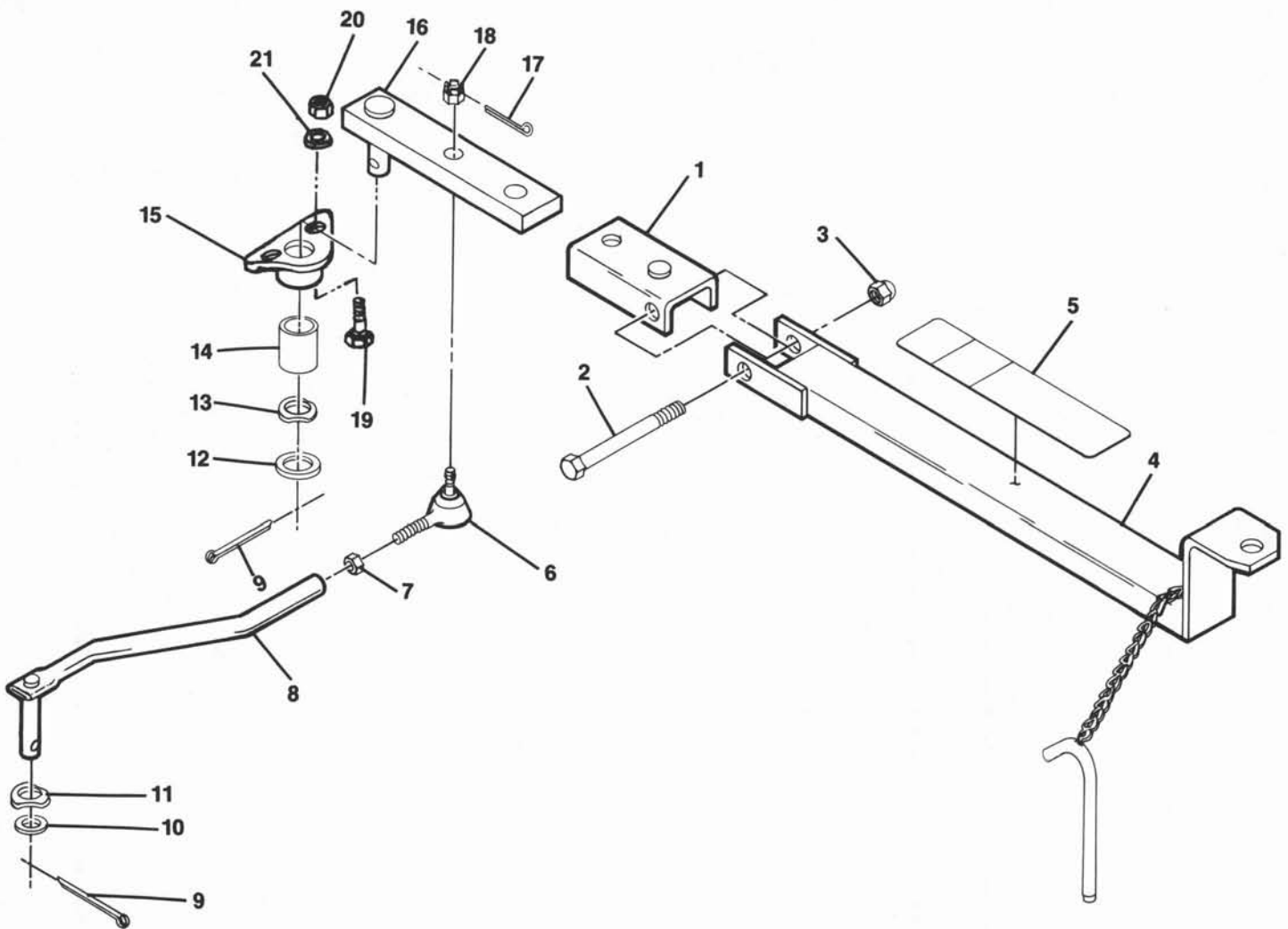


FIGURE 7-12. PERMANENT TYPE TOWING. SEE LIST 7-12.

ClubCar®

DS ELECTRIC

Manual No. 1013165 - Issue Date 9/91
 Effective Serial No. A8036-15260 thru _____

PERMANENT TYPE TOWING

FIGURE- ITEM NUMBER	PART NUMBER	UNITS PER ASM	DESCRIPTION			
			1	2	3	4
12 -	1010037	1	TOW BAR ASSEMBLY INCLUDES ITEMS 1 THRU 5			
-	1014378	1	PERMANENT TOWING INSTALLATION KIT INCLUDES ITEMS 6 THRU 21			
- 1	1010034	1	CHANNEL WELD ASSEMBLY			
- 2	8755	1	BOLT, HEX HEAD, 3/8-16 x 3"			
- 3	8754	1	LOCKNUT, NYLON, 3/8-16 UNC			
- 4	1010032	1	TOW BAR WELD ASSEMBLY			
- 5	1010038	1	TOW BAR LABEL			
- 6	7539	1	SOCKET ASSEMBLY, RIGHT HAND INCLUDES ITEM 18			
- 7	1308	1	NUT, HEX, 1/2-20 UNF			
- 8	1010029	1	STEERING ARM WELD ASSEMBLY			
- 9	7910	2	PIN, COTTER, 5/32 x 1"			
- 10	1010028	1	FLATWASHER, 1/2"			
- 11	1010039	1	WAVE SPRING WASHER, 1/2"			
- 12	1010005	1	FLATWASHER, 3/4"			
- 13	1010040	1	WAVE SPRING WASHER, 3/4"			
- 14	1014282	1	BRONZE BEARING			
- 15	1014278	1	PERMANENT TOWING ATTACHMENT INCLUDES ITEM 14			
- 16	1010035	1	TOWING LUG WELD ASSEMBLY			
- 17	1035	1	PIN, COTTER, 3/32" x 1"			
- 18	7602	1	NUT, SLOTTED HEX, 3/8-24 UNF			
- 19	320	2	SCREW, 3/8-16 X 1.00 HEX HEAD			
- 20	706	2	NUT, HEX 3/8"			
- 21	357	2	LOCKWASHER, 3/8"			



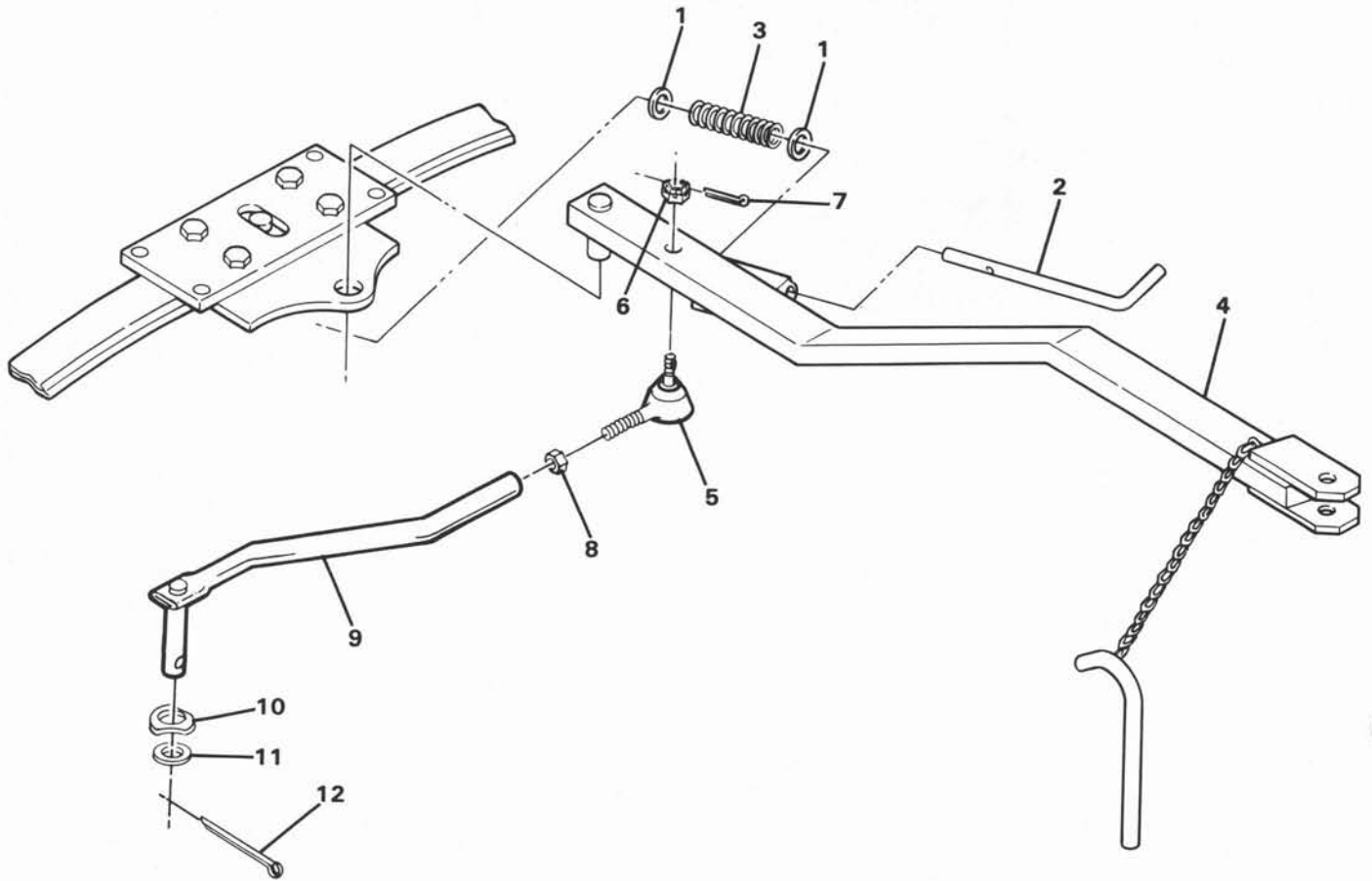


FIGURE 7-13. LIGHT DUTY TOW BAR. SEE LIST 7-13.

LIGHT DUTY TOW BAR

FIGURE-ITEM NUMBER	PART NUMBER	UNITS PER ASM	DESCRIPTION
13 -	8708	1	LIGHT DUTY TOW BAR COMPLETE INCLUDES ITEMS 1 THRU 12
- 1	334	2	FLATWASHER, 3/8" (SPECIAL)
- 2	8725	1	SAFETY PLUNGER
- 3	1010317	1	COMPRESSION SPRING
- 5	7539	1	SOCKET ASSEMBLY, RIGHT HAND INCLUDES ITEM 6
- 6	7602	1	NUT, SLOTTED HEX, 3/8-24 UNF
- 7	1035	2	PIN, COTTER, 3/32" x 1"
- 8	1308	1	NUT, HEX, 1/2-20
- 9	1010029	1	STEERING ARM WELD ASSEMBLY
- 10	1010039	1	WAVE SPRING WASHER
- 11	1010028	1	WASHER
- 12	7910	1	PIN, COTTER, 5/32" x 1"



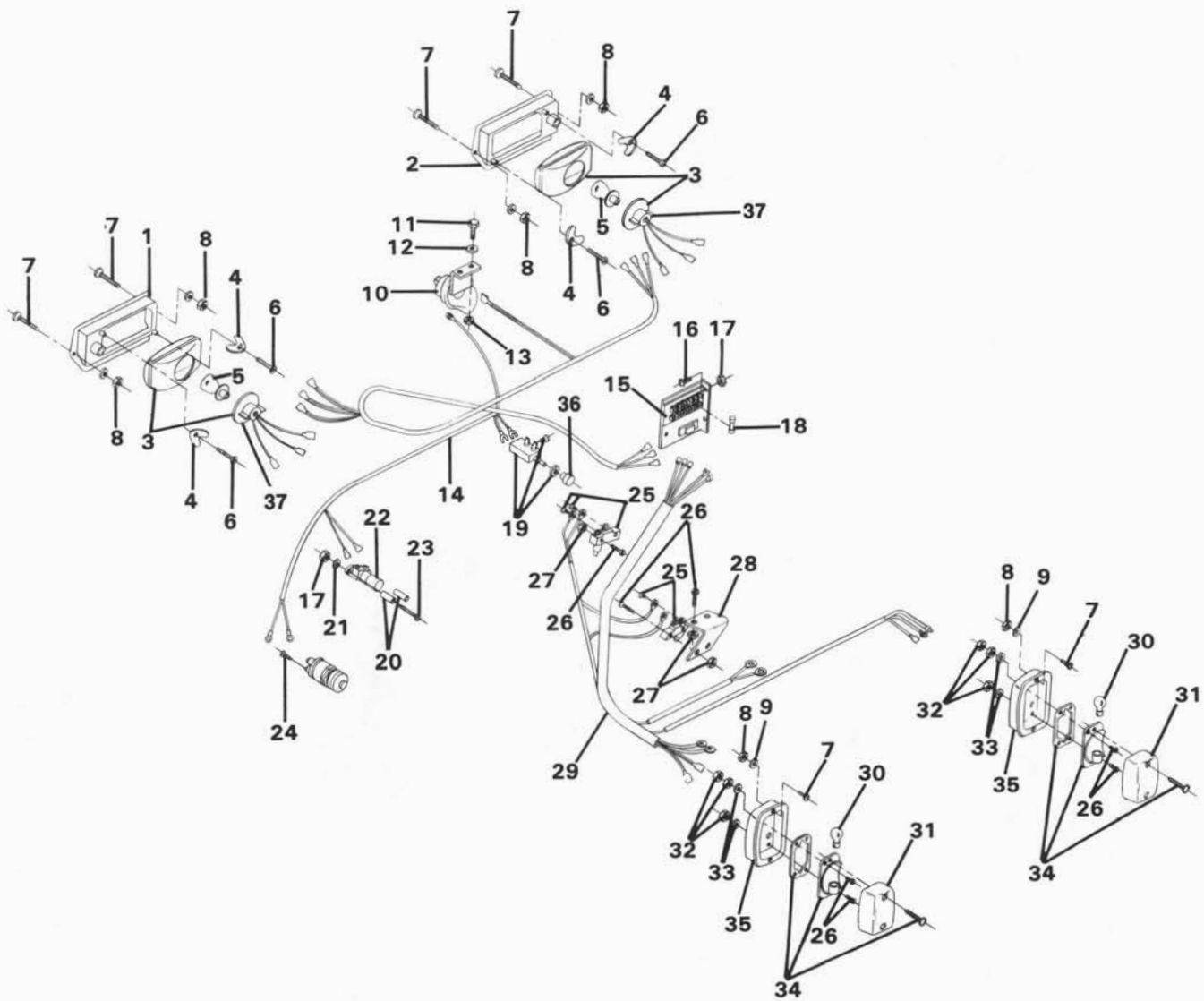


FIGURE 7-14. LIGHTING PACKAGE. SEE LIST 7-14.

LIGHTING PACKAGE

FIGURE- ITEM NUMBER	PART NUMBER	UNITS PER ASM	DESCRIPTION			
			1	2	3	4
14 -	1013804	1	LIGHTING PACKAGE — COMPLETE			
- 1	1014176	1	BEZEL & REFLECTOR ASSEMBLY — LEFT			
- 2	1014177	1	BEZEL & REFLECTOR ASSEMBLY — RIGHT			
- 3	1014167	2	HEADLAMP INCLUDES ITEMS 5 AND 37			
- 4	1014156	4	BRACKET — LAMP MOUNTING			
- 5	1014180	2	BULB — HEADLAMP			
- 6	1010715	4	SCREW — #10-14 TRI-LOB TRUSS HEAD			
- 7	1011498	8	SCREW — #8-32 OVAL COUNTERSUNK HEAD MACHINE			
- 8	1011571	8	NUT — #8-32 HEX			
- 9	1011610	5	FLATWASHER — #8			
- 10	4029	1	HORN AND BRACKET ASSEMBLY			
- 11	304	2	BOLT, HEX HEAD, 1/4-20 UNC x 1"			
- 12	332	2	FLATWASHER, 1/4"			
- 13	8233	2	LOCKNUT, 1/4-20 NYLON			
- 14	1013795	1	WIRE HARNESS HEADLIGHT			
- 15	1011502	1	TERMINAL BLOCK AND FUSE PANEL ASSEMBLY			
- 16	8104	2	SCREW, ROUND HEAD, #10-32 x 3/4"			
- 17	7893	4	NUT, HEX, #10-32			
- 18	8106	3	FUSE, 20 AMP			
- 19	4034	1	LIGHT SWITCH INCLUDES ITEM 36			
- 20	1010910	2	STAND OFF DIMMER SWITCH			
- 21	8049	2	LOCKWASHER, #10 INTERNAL TOOTH			
- 22	1010889	1	DIMMER SWITCH			
- 23	1010909	2	SCREW, ROUND HEAD, #10-32 x 1-1/4"			
- 24	1013443	1	HORN BUTTON — FLOOR MOUNTED			
- 25	1011439	2	OVERTRAVEL PLUNGER SWITCH			
- 26	1011557	10	SCREW, SLOTTED PAN HEAD, #6-32 x 1"			
- 27	1011229	6	LOCKNUT, "K", #6-32 UNC			
- 28	1011742	1	BRAKE LIGHT SWITCH BRACKET			
- 29	1015516	1	WIRE HARNESS TAILLIGHT			
- 30	1011582	2	TAILLIGHT BULB			
- 31	1011843	2	TAILLIGHT LENS			
- 32	1011558	6	NUT, HEX HEAD, #6-32 UNC			
- 33	7591	4	FLATWASHER, #6			
- 34	1016618	2	TAILLIGHT INCLUDES ITEMS 30 AND 31			
- 35	1011497	2	TAILLIGHT BEZEL			
- 36	1013857	1	KNOB — LIGHT SWITCH			
- 37	1015575	2	HEADLAMP SOCKET			
- 38	8990	9	TIE WRAP			
- 39	1014179		HEADLIGHT ASSEMBLY — LEFT INCLUDES ITEMS 1, 2, 3, 4, AND 6			
- 40	1014178		HEADLIGHT ASSEMBLY — RIGHT INCLUDES ITEMS 2, 3, 4, AND 6			



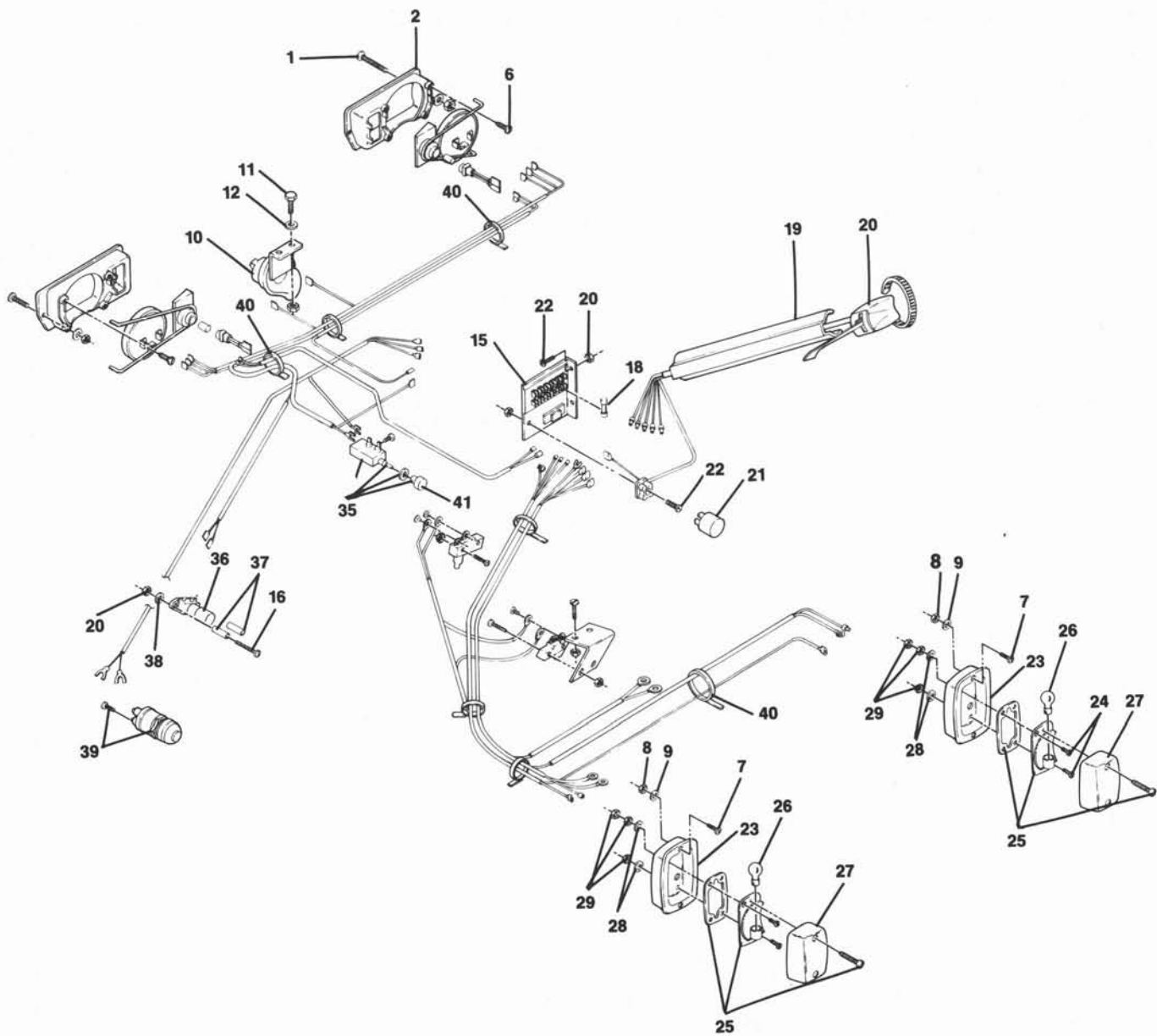


FIGURE 7-14A. LIGHTING PACKAGE WITH TURN SIGNALS. SEE LIST 7-14A.

LIGHTING PACKAGE WITH TURN SIGNALS

FIGURE- ITEM NUMBER	PART NUMBER	UNITS PER ASM	DESCRIPTION			
			1	2	3	4
14A -	1014868	1	LIGHTING PACKAGE WITH TURN SIGNALS			
- 1	1014176	1	BEZEL & REFLECTOR ASSEMBLY — LEFT			
- 2	1014177	1	BEZEL & REFLECTOR ASSEMBLY — RIGHT			
- 3	1014167	2	HEADLAMP			
			INCLUDES ITEMS 5 AND 44			
- 4	1014156	4	BRACKET — LAMP MOUNTING			
- 5	1014180	2	BULB — HEADLAMP			
- 6	1010715	4	SCREW — #10-14 TRI-LOB TRUSS HEAD			
- 7	1011498	8	SCREW — #8-32 OVAL COUNTERSUNK HEAD MACHINE			
- 8	1011571	8	NUT — #8-32 HEX			
- 9	1011610	5	FLATWASHER — #8			
- 10	4029	1	HORN AND BRACKET ASSEMBLY			
- 11	304	2	BOLT, HEX HEAD, 1/4-20 UNC x 1"			
- 12	332	2	FLATWASHER, 1/4"			
- 13	8233	2	LOCKNUT, 1/4-20 NYLON			
- 14	1013795	1	WIRE HARNESS HEADLIGHT			
- 15	1011502	1	TERMINAL BLOCK AND FUSE PANEL ASSEMBLY			
- 16	1010909	2	SCREW, ROUND HEAD, #10-32 x 1-1/4"			
- 17	1014172	2	SOCKET AND LAMP ASSEMBLY			
			INCLUDES ITEM 43			
- 18	8106	3	FUSE, 20 AMP			
- 19	1011492	1	STEERING COLUMN WIRE COVER			
- 20	1011590	1	TURN SIGNAL SUB-ASSEMBLY			
- 21	1010822	1	FLASHER			
- 22	8104	3	SCREW, ROUND HEAD, #10-32 x 3/4"			
- 23	1011497	2	TAILLIGHT BEZEL			
- 24	1011557	10	SCREW, SLOTTED PAN HEAD, #6-32 x 1"			
- 25	1011586	2	TAILLIGHT			
			INCLUDES ITEMS 26 AND 27			
- 26	1011582	2	TAILLIGHT BULB			
- 27	1011843	2	TAILLIGHT LENS			
- 28	7591	4	FLATWASHER, #6			
- 29	1011558	6	NUT, HEX HEAD, #6			
- 30	1011742	1	BRAKE LIGHT SWITCH BRACKET			
- 31	1011229	6	LOCKNUT, "K", #6-32 UNC			
- 32	1011439	2	OVERTRAVEL PLUNGER SWITCH			
- 33	1011534	1	WIRE HARNESS, STANDARD LIGHTING PACKAGE TAILLIGHT			
- 34	1015517	1	WIRE HARNESS, DELUXE LIGHTING PACKAGE REAR FLASH			
- 35	4034	1	LIGHT SWITCH			
			INCLUDES ITEM 41			
- 36	1010889	1	DIMMER SWITCH			
- 37	1010910	2	STANDOFF DIMMER SWITCH			
- 38	8049	2	LOCKWASHER, INTERNAL TOOTH #10			
- 39	1013443	1	HORN BUTTON — FLOOR MOUNTED			
- 40	8990	9	TIE WRAP			
- 41	1013857	1	KNOB — LIGHT SWITCH			
- 42	1011556	1	WIRE HARNESS, DELUXE LIGHTING PACKAGE TURN SIGNAL LIGHTING			
- 43	1011583	2	TURN SIGNAL BULB			
- 44	1015575	2	HEADLAMP SOCKET			



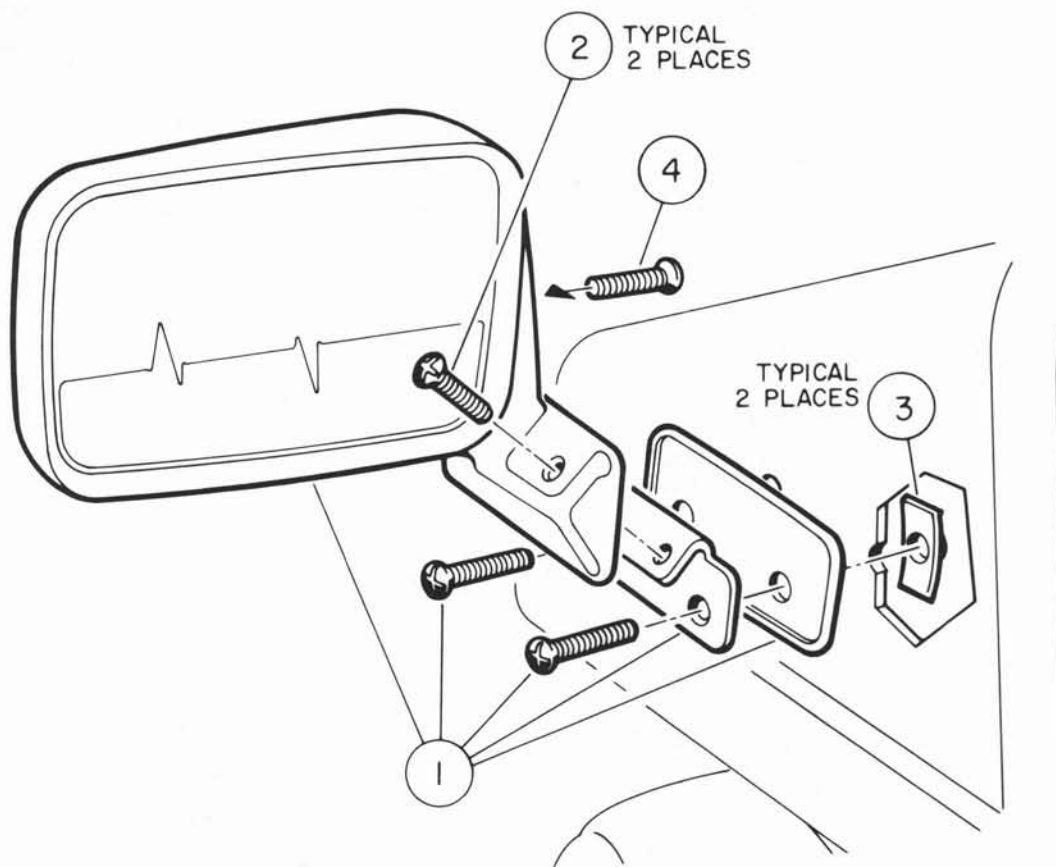


FIGURE 7-15. REAR VIEW MIRROR. SEE LIST 7-15.

FIGURE-ITEM NUMBER	PART NUMBER	UNITS PER ASM	DESCRIPTION
15 -	1011524	1	REAR VIEW MIRROR KIT
- 1	1011621	1	REAR VIEW MIRROR
- 2	1015203	2	OVAL COUNTERSINK HEAD MACHINE SCREW, M4 X 0.7
- 3	1011627	1	SPEED NUT, #10
- 4	1015528	1	TYPE AB PHILLIPS OVAL COUNTERSINK HEAD SCREW, #10 X 1-1/4

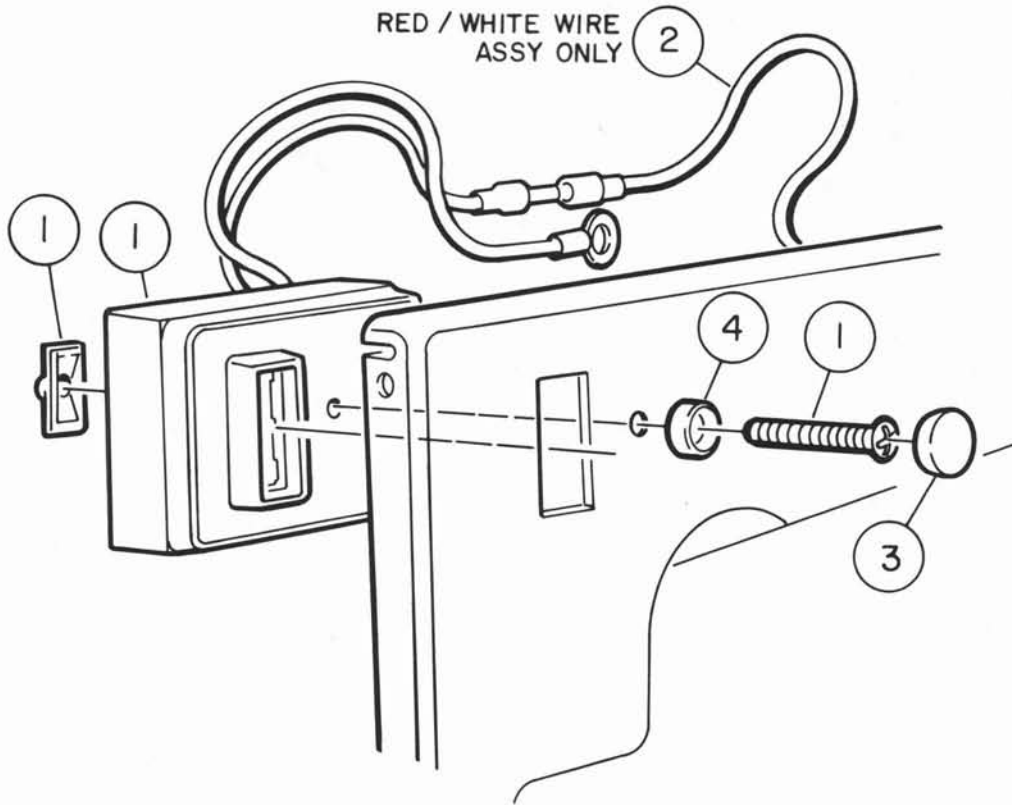


FIGURE 7-16. BATTERY INDICATOR KIT. SEE LIST 7-16.

FIGURE- ITEM NUMBER	PART NUMBER	UNITS PER ASM	DESCRIPTION			
			1	2	3	4
16 -	1013499	1	BATTERY INDICATOR KIT			
- 1	1015823	1	BATTERY CONDITION INDICATOR INCLUDES MOUNTING HARDWARE			
- 2	1013501	1	WIRE ASSEMBLY, RED/WHITE (54" LG)			
- 3	1011381	1	SCREW HEAD COVER			
- 4	1011382	1	WASHER, #10 PAN HEAD SCEW			



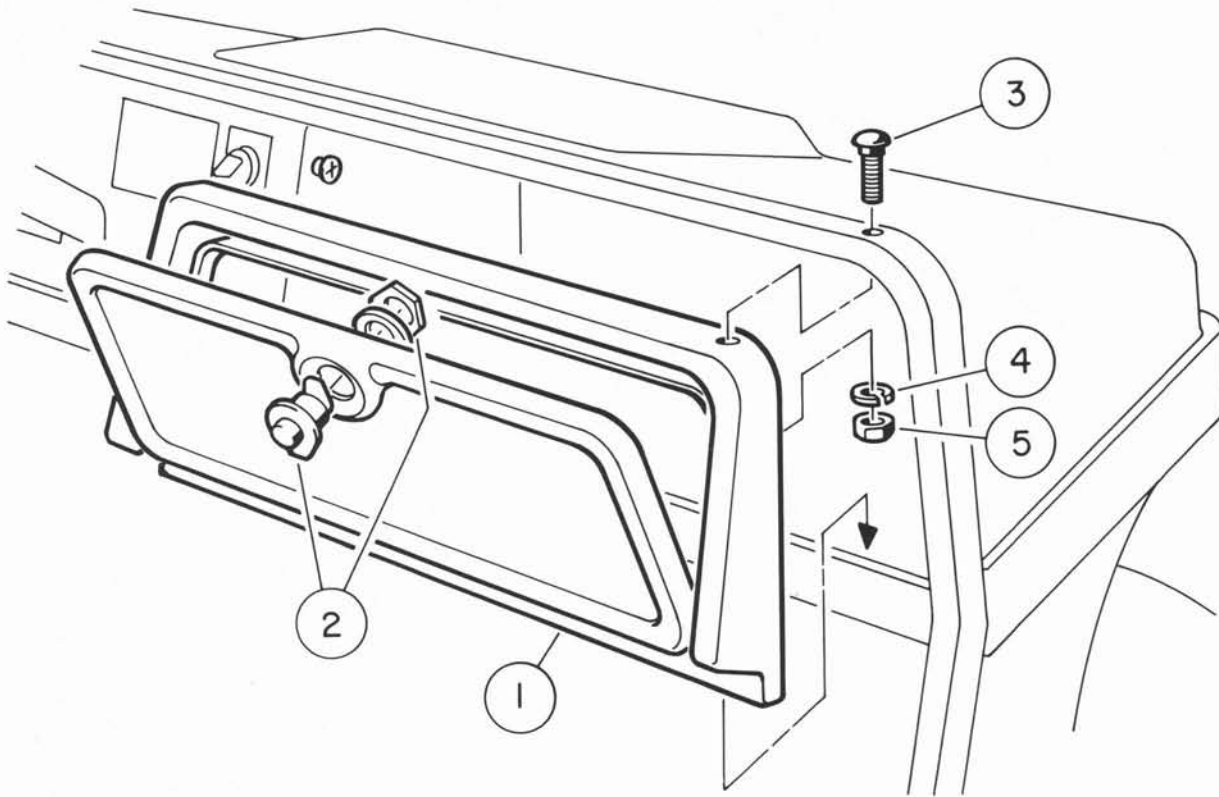


FIGURE 7-17. GLOVE COMPARTMENT. SEE LIST 7-17.

FIGURE- ITEM NUMBER	PART NUMBER	UNITS PER ASM	DESCRIPTION			
			1	2	3	4
17 -	1015492	1				GLOVE COMPARTMENT KIT (BLACK)
17 -	1015488	1				GLOVE COMPARTMENT KIT (WOODGRAIN)
- 1	1015484	1				GLOVE COMPARTMENT S/A INCLUDES ITEM 2 (BLACK)
- 1	1015486	1				GLOVE COMPARTMENT S/A INCLUDES ITEM 2 (WOODGRAIN)
- 2	1015483	1				PUSH LOCK KIT
- 3	7818	1				ROUND HEAD SQUARE NECK BOLT, 5/16-18 X 1-1/2"
- 4	7174	1				LOCKWASHER, 5/16" DIAMETER
- 5	1242	1				HEX NUT, 5/16-18

ClubCar®

DS ELECTRIC

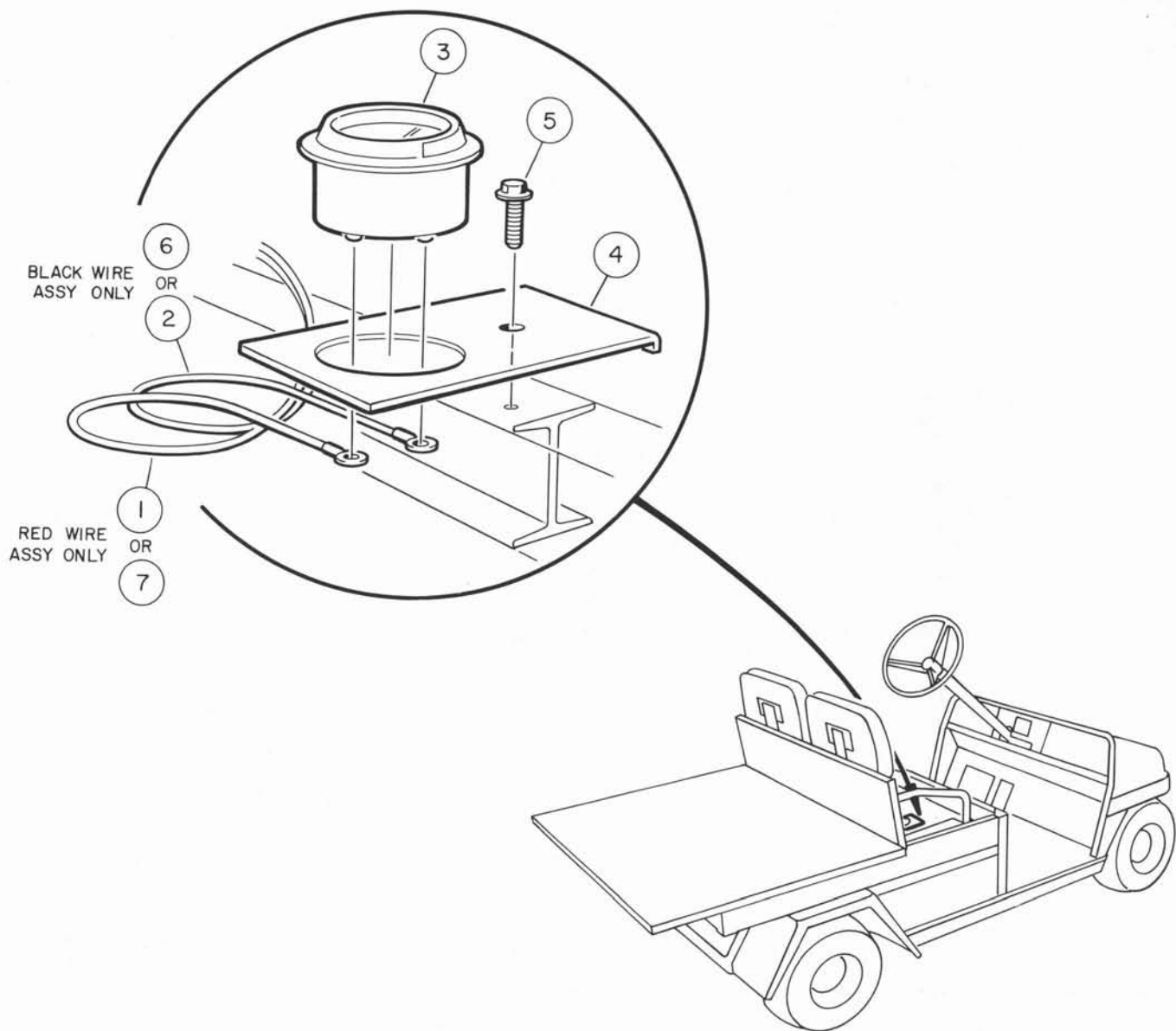


FIGURE 7-18. HOUR METER KIT — 36 VOLT. SEE LIST 7-18.

FIGURE- ITEM NUMBER	PART NUMBER	UNITS PER ASM	DESCRIPTION				
			1	2	3	4	
18 -	1013579	1					HOUR METER KIT — 36 VOLT
- 1	1013548	1					WIRE ASSEMBLY, RED (31" LONG)
- 2	1013550	1					WIRE ASSEMBLY, BLACK (20" LONG)
- 3	1013543	1					HOUR METER, 36 VOLT INCLUDES MOUNTING HARDWARE
- 4	1013547	1					HOUR METER BRACKET
- 5	1012285	1					HEX WASH HEAD MACHINE SCREW, 1/4-20 X 5/8 LG
- 6	1014586	1					WIRE ASSEMBLY, BLACK (11" LONG)
- 7	1014585	1					WIRE ASSEMBLY, RED (11" LONG)



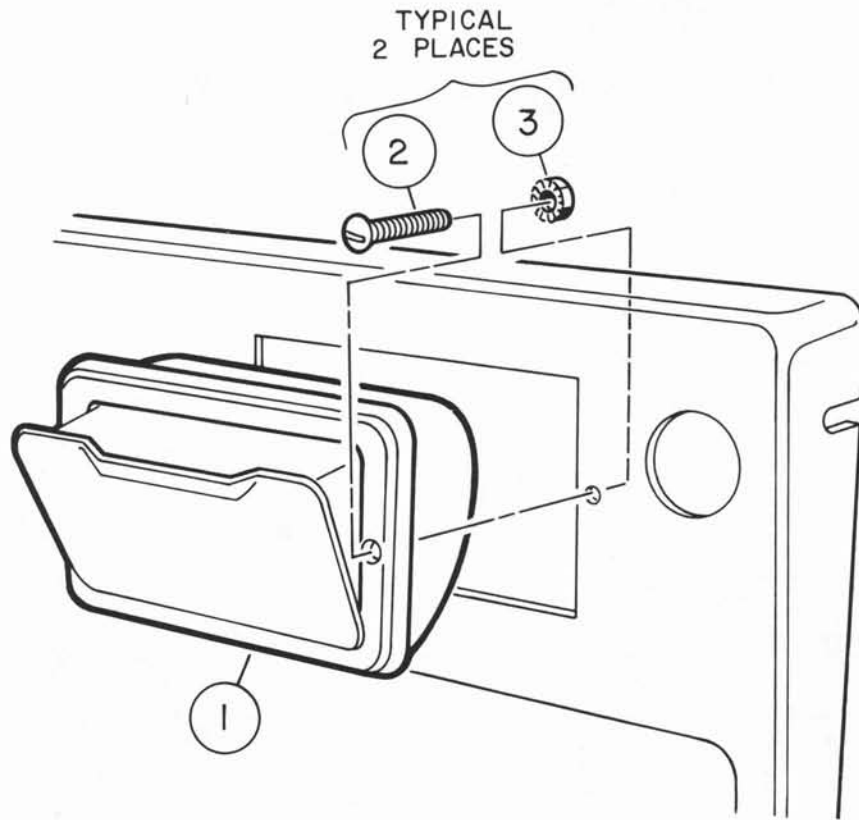


FIGURE 7-19. ASHTRAY KIT. SEE LIST 7-19.

FIGURE- ITEM NUMBER	PART NUMBER	UNITS PER ASM	DESCRIPTION				
			1	2	3	4	
19 -	1011230	1					ASHTRAY KIT
- 1	1011225	1					ASHTRAY
- 2	1011226	2					OVAL COUNTERSINK HEAD SCREW #6-32
- 3	1011229	2					LOCKNUT, "K" TYPE #6-32

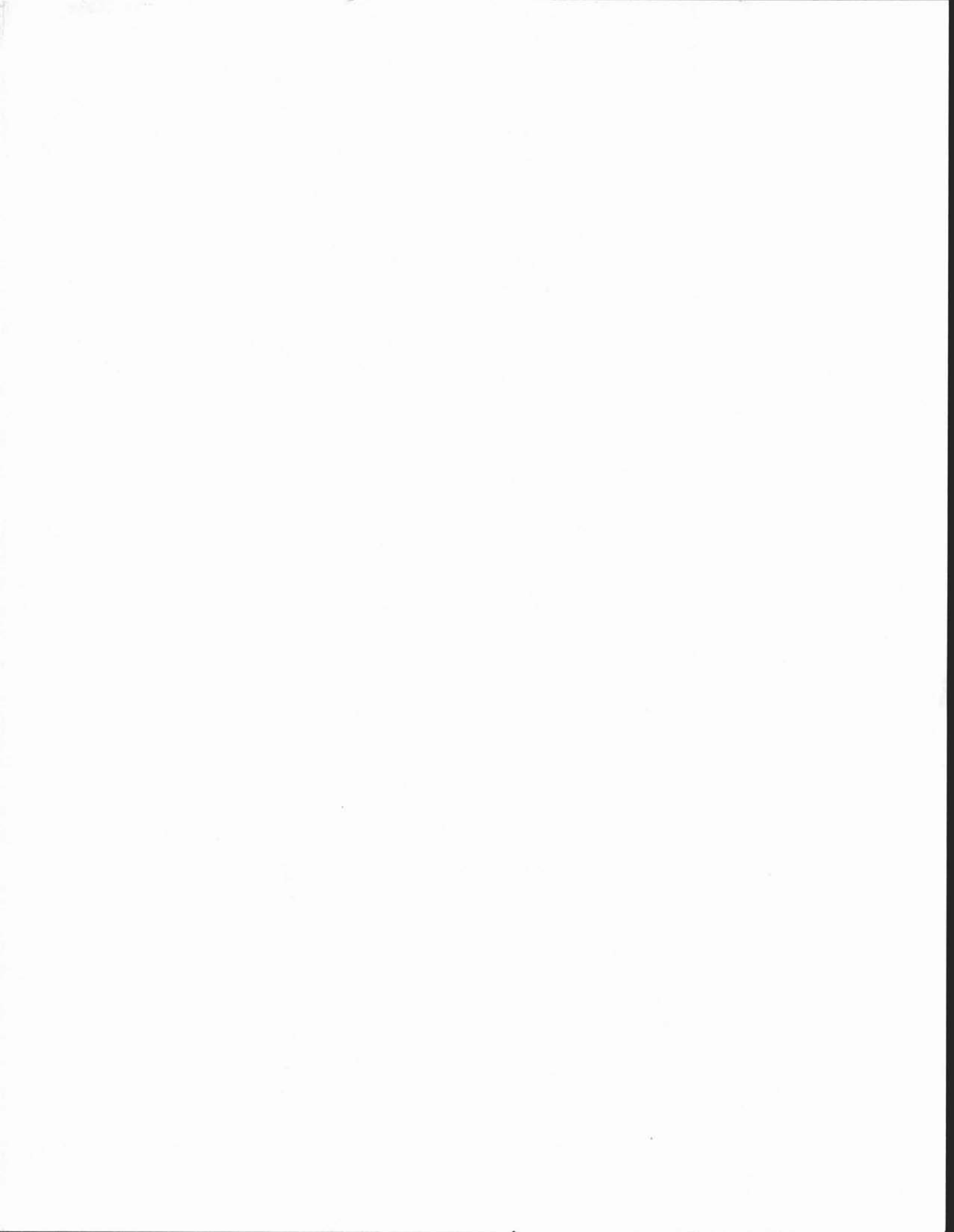
ClubCar®

DS ELECTRIC

MAINTENANCE SERVICE TOOLS

DESCRIPTION	PART NO.
Internal Retaining Pliers	1013593
Spray Paint, Gray	1013805
Brake Adjusting Tool	1013582
Fiberglass Repair Kit	1012093
Volt Ohm Meter	1011480
Continuity Tester	1011273
Retaining Ring Pliers (45° External)	1012549
Retaining Ring Pliers (90° Internal)	1012560
Keyswitch Tool	1012801
Seal Puller	1012809
Bearing Puller	1012811
Bearing Puller Wedge Attachment	1012812
Hydrometer	1011478
Battery Tester (Discharge Machine)	1010687
Battery Thermometer	1011767
Drive Unit Pinion Seal Tool	1014161
Drive Unit Axle Seal Tool	1014162
Steering Column Bearing Press Tool	1014261
Steering Column Retaining Ring Tool	1014259
Battery Terminal Protector	1014305
Dry Graphite Lubricant	1012151

Please refer to the appropriate Maintenance and Service Manual for proper tool application.





Club Car, Inc.
P.O. Box 204658
Augusta, GA 30917-4658
USA

Web www.clubcar.com
Phone 1.706.863.3000
1.800.ClubCar
Int'l +1 706.863.3000
Fax 1.706.863.5808