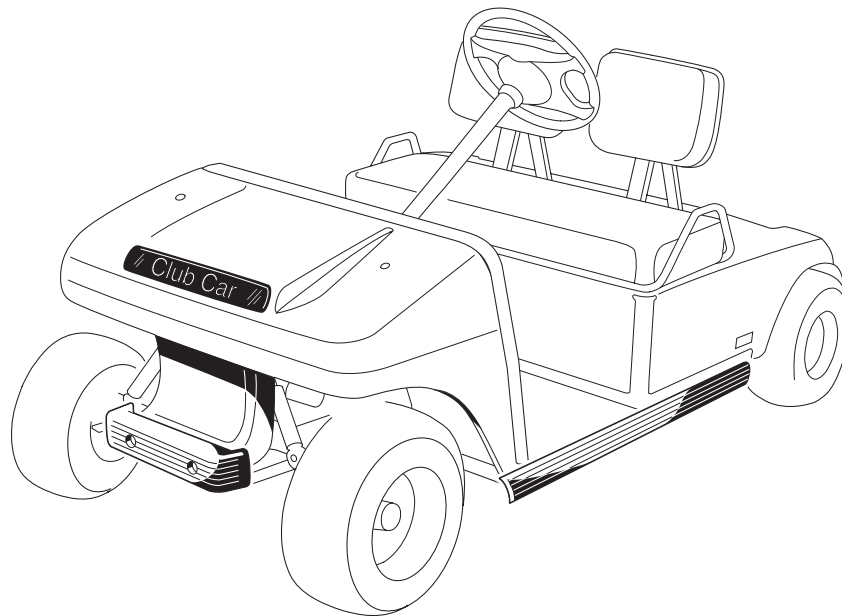


**1993
DS Golf Car
Illustrated Parts List**



Gasoline and Electric Vehicles

Manual Number 101710702
Edition Code 0892B1008A

USING THE ILLUSTRATED PARTS LIST

⚠ WARNING

- **This manual is to be used only for identification and ordering of service parts. Be sure to read and use the maintenance and service manual before attempting any vehicle repairs.**

Use the Table of Contents to find the sections and pages that contain the parts and assemblies you seek. The Table of Contents lists section numbers, and under them, the individual page titles and numbers to be found in that section. The index can be used to find specific parts and assemblies. The index is divided into numerical and alphabetical listings with the page numbers in italic text.

There is a two-page spread for each individual page title in the Table of Contents. On the left-hand page is an illustration showing the parts in their relative positions; the parts are each tagged with an item number in a balloon. The right-hand page is the parts list page, and gives the page title at the top, then the item numbers (corresponding to the numbers on the illustration), part descriptions, and quantity of parts used.

Note that a part description may be indented. This indentation corresponds to a parts assembly level indicated by the numbers 1, 2, 3, and 4 at the top left corner of the parts description area of the parts list page. A part that is indented to *level 2* is a component of the *level 1* part (assembly) that it is listed under. A *level 3* part is a component of the *level 2* part that it is listed under, and a *level 4* part is a component of the *level 3* part preceding it. In each case, the part quantity given for a level 2, 3, or 4 part *is the quantity used per next higher level assembly of which it is a component*. A part that is not indented is a *level 1* part. This means that the quantity given is the quantity used per the portion of the vehicle illustrated on that particular spread.

HOW TO ORDER PARTS

Replacement parts and accessories can be obtained from our network of authorized dealers and distributors. You can obtain the name and phone number of your closest authorized Club Car dealer or distributor by visiting our web site at www.clubcar.com and clicking on the "*Distributor Search*" link or by calling our toll-free Service Parts and Technical Assistance hotline at (800) 872-2246 or (706) 863-3000, extension 3887.

Copyright © 1992, 2008 Club Car, Inc.
Club Car and Carryall are registered
trademarks of Club Car, Inc



P. O. Box 204658
Augusta, Georgia 30917-4658 USA
Telephone 706-863-3000
Service Parts Fax 706-855-7413
www.clubcar.com

CONTENTS

INDEX

MAINTENANCE AND SERVICE TOOLS

BODY AND TRIM

SECTION 1

Body and Trim	1-2
Covers — Front	1-4
Covers — Rear	1-6
Seat Back and Bag Hoop	1-8
Seat Bottom and Armrest	1-10

DRIVE UNIT

SECTION 2

Drive Unit	2-2
------------------	-----

BRAKES, PEDAL AND CABLE ASSEMBLY

SECTION 3

Brake Cluster, Right and Left Hand	3-2
Brake Pedal and Cable Assembly	3-4
Accelerator Pedal Assembly	3-6

STEERING AND FRONT SUSPENSION

SECTION 4

Steering Column — Aluminum	4-2
Steering Assembly	4-4
Front Suspension Assembly — Delta A-Plate	4-6

ELECTRICAL AND BATTERY

SECTION 5

Wiring — Gas Vehicle	5-2
Electrical Component Box	5-4
Starter Generator — Mounting	5-6
Starter Generator Assembly	5-7
F&R Shifter Assembly	5-8
Reverse Buzzer	5-10
Battery	5-11

ENGINE

SECTION 6

Engine	6-2 — 6-12
--------------	------------

FUEL AND INTAKE SYSTEM

SECTION 7

Fuel System Assembly	7-2
Carburetor Assembly	7-4
Governor Guard and Intake Hose	7-6
Expansion Chamber, Choke and Filter	7-8
Governor and Accelerator Cables	7-10

EXHAUST SYSTEM

SECTION 8

Exhaust System	8-2
----------------------	-----

TORQUE CONVERTER

SECTION 9

Drive Clutch Assembly	9-2
Driven Clutch Assembly	9-4

TRANSMISSION AND GOVERNOR

SECTION 10

Transmission and Governor Assembly	10-2
--	------

REAR SUSPENSION — GAS VEHICLE

SECTION 11

Rear Suspension Assembly	11-2
Inner Frame Assembly	11-4

ELECTRICAL — ELECTRIC VEHICLE

SECTION 12

Power Wiring — Electric Vehicle	12-2
V-Glide Wiper Switch	12-4
Resistor and Board Assembly — V-Glide	12-6
Forward and Reverse Switch Assembly	12-8
Power Wiring — Solid State Controller	12-10
Forward and Reverse Switch — Solid State Controller	12-12
V-Glide Wiper Switch — Solid State Controller	12-14
Reverse Buzzer	12-16

CHARGERS

SECTION 13

Model 13800 Accu-Power	13-2
Model 14000 Ultra-Power	13-4

MOTOR

SECTION 14

CLUB CAR Model #1012191 and #1014678	14-2
--	------

REAR SUSPENSION ASSEMBLY — ELECTRIC VEHICLE





SECTION 15

Rear Suspension Assembly — Electric Vehicle	15-2
---	------

INDEX

GAS		G
-----	---	---

ELECTRIC		E
----------	---	---








BODY AND TRIM — FRONT AND REAR COVERS		1
DRIVE UNIT		2
BRAKES, PEDAL AND CABLE ASSEMBLY		3
STEERING AND FRONT SUSPENSION		4

INDEX

GAS



G





ELECTRICAL AND BATTERY		5
ENGINE		6
FUEL, INTAKE AND GOVERNOR SYSTEM		7
EXHAUST SYSTEM		8
TORQUE CONVERTER		9
TRANSMISSION AND GOVERNOR		10
REAR SUSPENSION		11

INDEX

ELECTRIC



E

ELECTRICAL		12
BATTERY CHARGER		13
MOTOR		14
REAR SUSPENSION		15

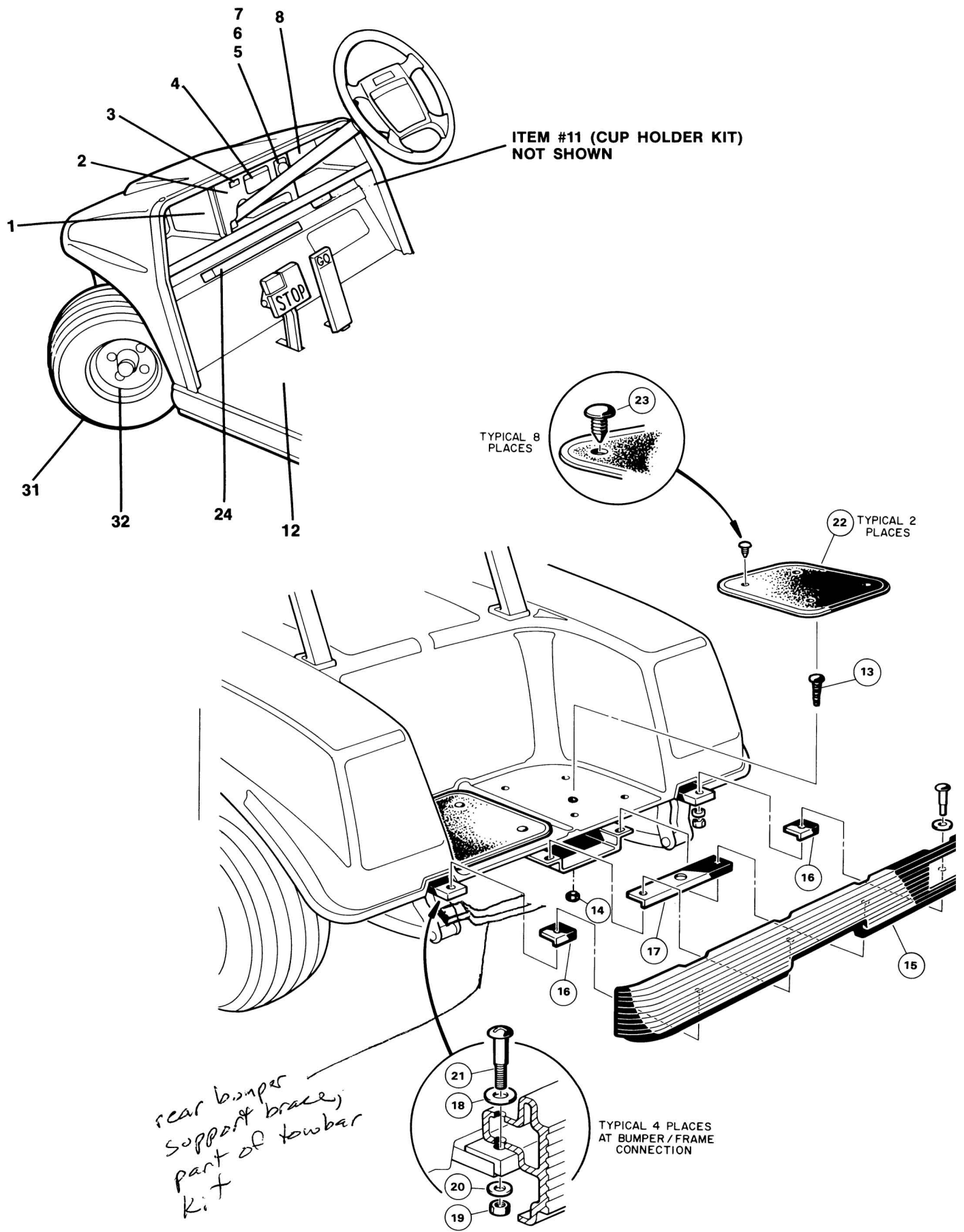
MAINTENANCE SERVICE TOOLS

DESCRIPTION	PART NO.
Internal Retaining Pliers	1013593
Brake Adjusting Tool	1013582
Volt Ohm Meter	1011480
Continuity Tester	1011273
Retaining Ring Pliers (45° External)	1012549
Retaining Ring Pliers (90° Internal)	1012560
Keyswitch Tool	1012801
Seal Puller	1012809
Bearing Puller	1012811
Bearing Puller Wedge Attachment	1012812
Tachometer	1016112
Drive Clutch Puller	1014496
Clutch Alignment Tool	1014498
Touch-Up Paint - Enamel Beige	1017096-01
Touch-Up Paint - Enamel White	1017096-02
Touch-Up Paint - Enamel Non-Standard	1017096-03
Touch-Up Paint - Enamel Gray	1017096-04
Touch-Up Paint - Enamel Green	1017096-05
Touch-Up Paint - Enamel Red	1017096-06
Touch-Up Paint - Enamel Light Blue	1017096-07
Touch-Up Paint - Lacquer Beige	1017097-01
Touch-Up Paint - Lacquer White	1017097-02
Touch-Up Paint - Lacquer Non-Standard	1017097-03
Touch-Up Paint - Lacquer Gray	1017097-04
Touch-Up Paint - Lacquer Green	1017097-05
Touch-Up Paint - Lacquer Red	1017097-06
Touch-Up Paint - Lacquer Light Blue	1017097-07
Transmission Tool Kit	1014115
Drive Unit Pinion Seal Tool	1014161
Drive Unit Axle Seal Tool	1014162
Steering Column Bearing Press Tool	1014264
Steering Column Retaining Ring Tool	1014259
Battery Terminal Protector	1014305
Dry Moly Lubricant	1012151
Flexible Cowl Repair Kit	1014963
Hydrometer	1011478
Battery Tester (Discharge Machine)	1010687
Battery Thermometer	1011767
Fly Wheel Puller Kit	1016627
Valve Seat Cutter Holder Bar	1016551
Valve Seat Cutter Holder	1016552
Valve Seat Cutter 45° (32mm Diameter)	1016553
Valve Seat Cutter 45° (35mm Diameter)	1016554
Valve Seat Cutter 32° (35mm Diameter)	1016555
Clutch Tool Kit	1014510
Spring Tune-Up Kit (OHV Engine)	1016110-02
Compression Gauge	1016410-01
Adapter	1016410-02
Valve Spring Compressor	1016411-01
Adapter	1016411-02
Valve Guide Reamer	1016412-01
Arbor	1016412-02
Valve Clearance Adjuster Screw Holder	1016413
Piston Ring Compressor Kit	1016414
Piston Ring Plier	1016415
Bearing Driver Set	1016416
Bearing and Oil Seal Remover Assembly	1016417
Gear Yoke	1016418
Generator Belt Tension Tool	1016867
Muffler Spring Tool	1016712

Please refer to the Maintenance and Service Manual for proper tool application.

Section 1

BODY AND TRIM FRONT AND REAR COVERS



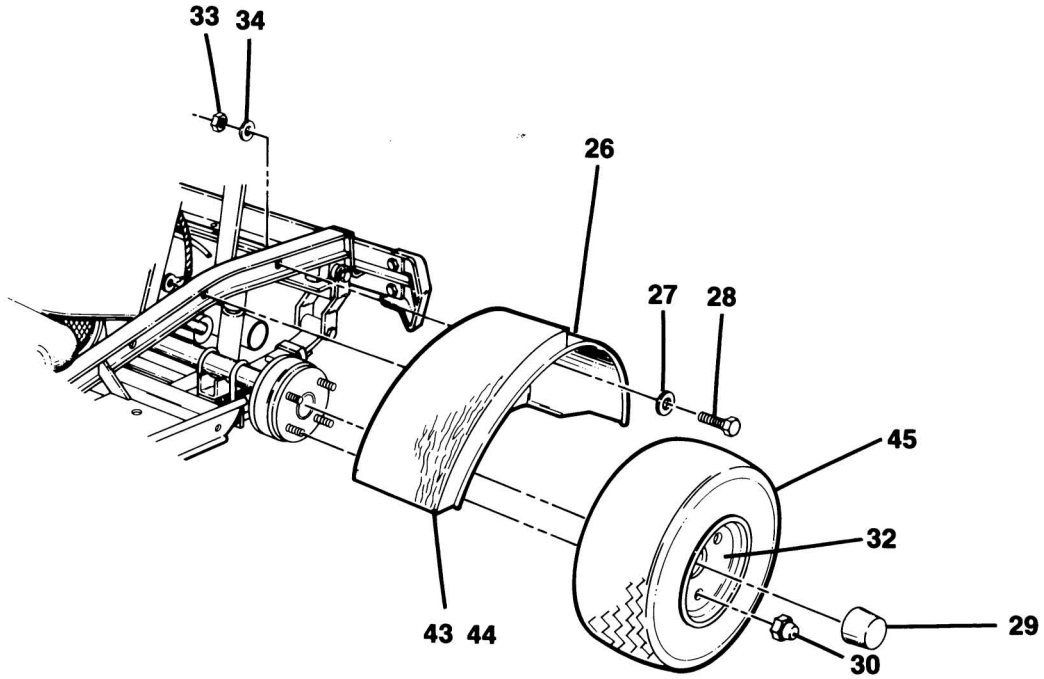
BODY AND TRIM

BODY AND TRIM

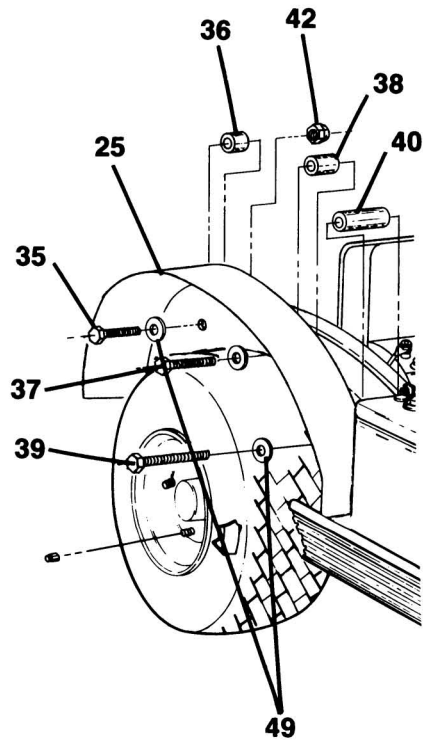
ITEM NUMBER	PART NUMBER	1 2 3 4	DESCRIPTION	UNITS PER VEHICLE	
				GAS	ELECTRIC
1	1013980		DASH COMPONENT, LEFT (TAN)	1	1
1	1013344		DASH COMPONENT, LEFT (BLACK)	1	1
2	1016604-01		CENTER DASH PANEL (TAN)		1
2	1016620-01		CENTER DASH PANEL WITH OIL LIGHT OPENING (TAN)	1	
2	1016604-02		CENTER DASH PANEL (BLACK)		1
2	1016620-02		CENTER DASH PANEL WITH OIL LIGHT OPENING (BLACK)	1	
2	1016620-03		CENTER DASH PANEL WITH OIL LIGHT AND FUEL GAUGE (BLACK)	1	
3	1016630		OIL LIGHT	1	
4	1013390		DECAL, GOLF ETIQUETTE	1	1
5	1012415		SWITCH, KEY (INCLUDES 2 KEYS) 12 VOLT	1	
5	1012531		SWITCH, KEY (INCLUDES 2 KEYS) 36 VOLT		1
6	1012505		KEY	PAIR	
7	1012530		DECAL, ON/OFF	1	1
8	1013979		DASH COMPONENT, RIGHT (TAN)	1	1
8	1013343		DASH COMPONENT, RIGHT (BLACK)	1	1
9	7848		SCREW - 1/4"-14 X 3/4" HEX HEAD CAP SCREW	6	6
10	1016952		1/4-20 U-NUT	2	2
11	1017083-01		CUP HOLDER KIT INCLUDES ITEMS 9 AND 10	2	2
12	1015032		MAT, FLOOR	1	1
13	8251		SCREW, PHILLIPS TRUSS HEAD, 1/4-20	2	2
14	8233		LOCKNUT, NYLON, 1/4-20	2	2
15	1016379		REAR BUMPER	1	1
16	1016874		MOUNTING PLATE — SHORT	2	2
17	1016875		MOUNTING PLATE — LONG	2	2
18	1017042		3/8 FLATWASHER (BLACK)	4	4
19	8986		LOCKNUT, 5/16-18 DIMPLED	4	4
20	1241		FLATWASHER, 5/16	4	4
21	1016876		3/8 X .98 PHILLIPS TRUSS HEAD SHOULDER BOLT	4	4
22	1014392		MAT, BAG WELL	2	2
23	1010434		FASTENER, PLASTIC BARREL	8	8
24	1014883		DASH WARNING DECAL	1	1
25	1017073		FENDER, INNER — RIGHT	1	1
26	1016968		FENDER, INNER — LEFT	1	1
27	332		FLATWASHER, 1/4"	6	
28	304		BOLT, 1/4-20 X 1" HEX	6	
29	1012186		SEAL, DUST	2	2
30	1010984		NUT, LUG 1/2-20	16	16
31	1015705-01		TIRE AND WHEEL ASSEMBLY, BEIGE (STANDARD RIB)	4	4
31	1015705-02		TIRE AND WHEEL ASSEMBLY, BEIGE (POWER RIB)	4	4
31	1015705-03		TIRE AND WHEEL ASSEMBLY, BEIGE (X-TRA TRAC TERRA)	4	4
31	1015705-04		TIRE AND WHEEL ASSEMBLY, BEIGE (WHITE WALL POWER RIB)	4	4
31	1015705-05		TIRE AND WHEEL ASSEMBLY, BEIGE (TERRAGARD)	4	4
31	1016514-01		TIRE AND WHEEL ASSEMBLY, WHITE (STANDARD RIB)	4	4
31	1016514-02		TIRE AND WHEEL ASSEMBLY, WHITE (POWER RIB)	4	4
31	1016514-03		TIRE AND WHEEL ASSEMBLY, WHITE (SOFT TRAC)	4	4
31	1016514-04		TIRE AND WHEEL ASSEMBLY, WHITE (WHITE WALL POWER RIB)	4	4
31	1016514-05		TIRE AND WHEEL ASSEMBLY, WHITE (TERRAGARD)	4	4
32	1015707		WHEEL RIM (BEIGE) (UNMOUNTED RIMS NOT SHOWN)	4	4
32	1014771		WHEEL RIM (WHITE) (UNMOUNTED RIMS NOT SHOWN)	4	4

G
E
1

GAS



ELECTRIC

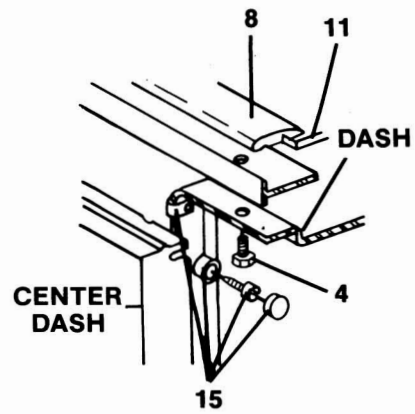
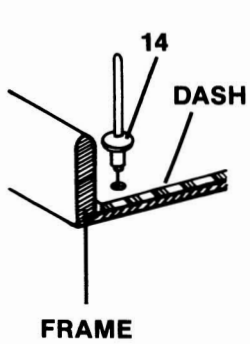
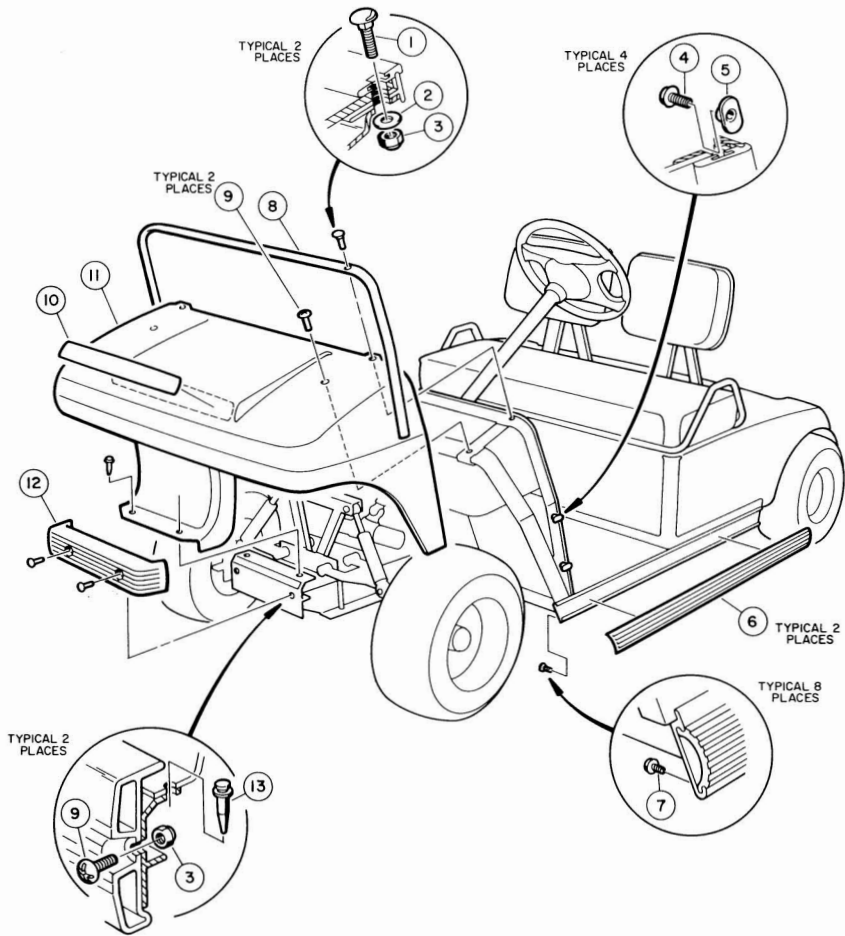


BODY AND TRIM (CONTINUED)

BODY AND TRIM (CONTINUED)

ITEM NUMBER	PART NUMBER	DESCRIPTION	UNITS PER VEHICLE	
			GAS	ELECTRIC
33	1028	NUT, 1/4-20 HEX	6	
34	451	LOCKWASHER, 1/4	6	
35	1013509	BOLT, HEX HEAD, 1/4-20 X 1-3/4"		2
36	1013507	SPACER, 1"		2
37	343	BOLT, HEX HEAD, 1/4-20 X 3"		2
38	1013506	SPACER, 2-1/8"		2
39	1012462	BOLT, HEX HEAD, 1/4-20 X 3-1/2"		2
40	1013508	SPACER, 2-3/4"		2
41	332	FLATWASHER, 1/4"		6
42	8233	LOCKNUT, 1/4-20 UNC		6
43	1015421	SOUND INSULATION (LEFT)	1	
44	1015422	SOUND INSULATION (RIGHT)	1	
45	1015672	TIRE — UNMOUNTED (POWER RIB)	4	4
45	1015674	TIRE — UNMOUNTED (SOFT TRAC)	4	4
45	7271	TIRE — UNMOUNTED (STANDARD RIB)	4	4

G
E
1

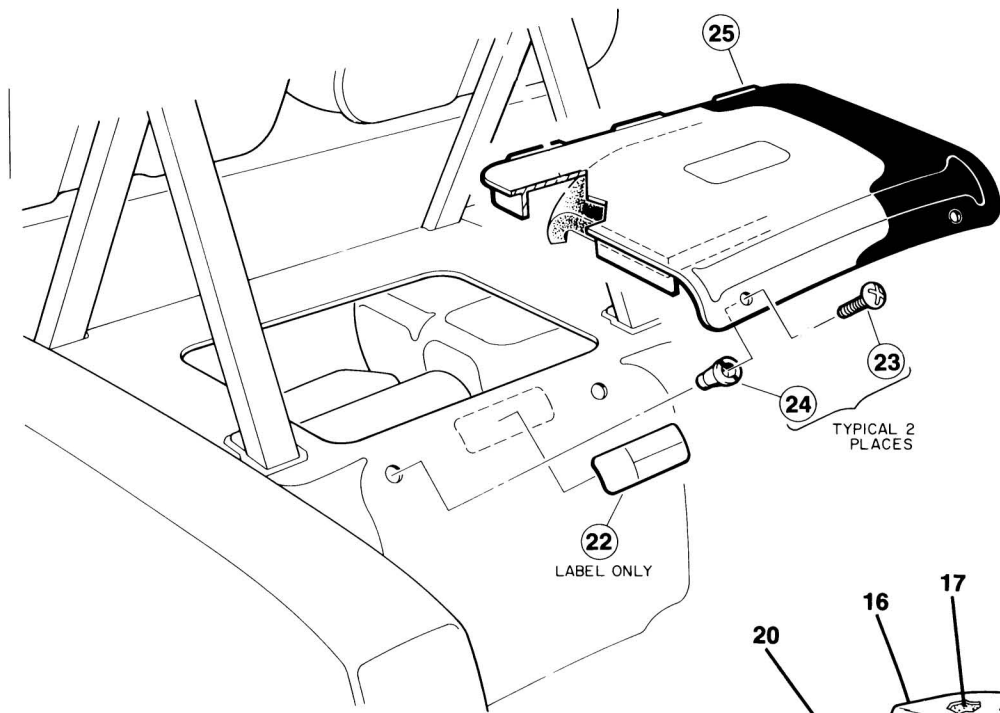


COVERS — FRONT

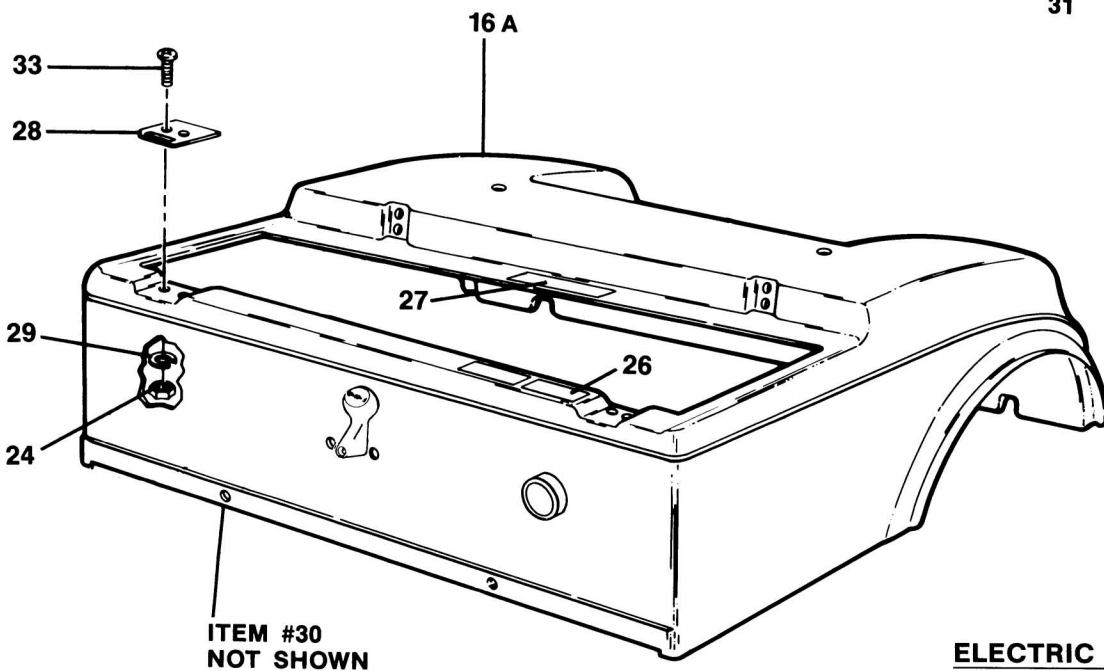
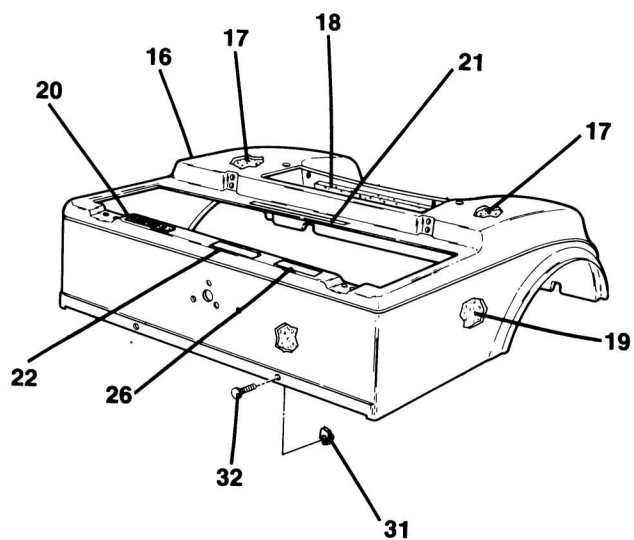
COVERS — FRONT

ITEM NUMBER	PART NUMBER	1 2 3 4	DESCRIPTION	UNITS PER VEHICLE	
				GAS	ELECTRIC
1	1010435		CARRIAGE BOLT, 5/16-18 UNC-2A		
2	1241		5/16 FLATWASHER	2	2
3	1017180		LOCKNUT, 5/16-18 UNC-2B (BLACK)	2	2
4	1011017		FLANGE LOCK SCREW	2	2
5	1011394		SLAB BASE "T" NUT PACKAGE (4 PIECES)	6	6
6	1013983		BUMPER, SIDE GUARD	1	1
7	1012047		SCREW, #8-32 SELF TAPPING	2	2
8	1011014		COWL TRIM	8	8
9	1017177		SCREW, 5/16-18 X 1.00 PHILLIPS HEAD TRUSS	1	1
10	1014198		NAMEPLATE KIT	2	2
11	1016925-01		COWL (BEIGE)	1	1
11	1016925-02		COWL (WHITE)	1	1
11	1016925-03		COWL (NON-STANDARD)	1	1
11	1016925-04		COWL (GRAY)	1	1
11	1016925-05		COWL (GREEN)	1	1
11	1016925-06		COWL (RED)	1	1
11	1016925-07		COWL (LIGHT BLUE)	1	1
11	1016939-01		COWL WITH HEADLIGHT OPENING (BEIGE)	1	1
11	1016939-02		COWL WITH HEADLIGHT OPENING (WHITE)	1	1
11	1016939-03		COWL WITH HEADLIGHT OPENING (NON-STANDARD)	1	1
11	1016939-04		COWL WITH HEADLIGHT OPENING (GRAY)	1	1
11	1016939-05		COWL WITH HEADLIGHT OPENING (GREEN)	1	1
11	1016939-06		COWL WITH HEADLIGHT OPENING (RED)	1	1
11	1016939-07		COWL WITH HEADLIGHT OPENING (LIGHT BLUE)	1	1
12	1016868		BUMPER, FRONT	1	1
13	1016967		BLIND RIVET	1	1
14	7973		POP RIVET, 3/16 X 1/2"	2	2
15	1013986		SNAP WASHER KIT (BROWN)	7	7
15	1014645		SNAP WASHER KIT (BLACK)	2	2

G
E
1



GAS VEHICLE



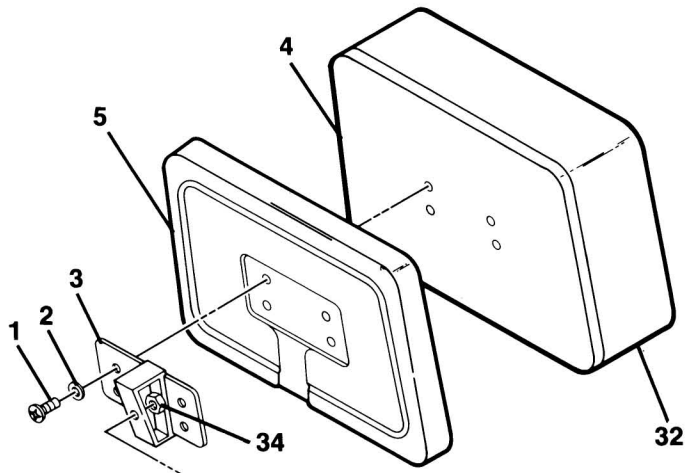
ELECTRIC VEHICLE

COVERS — REAR

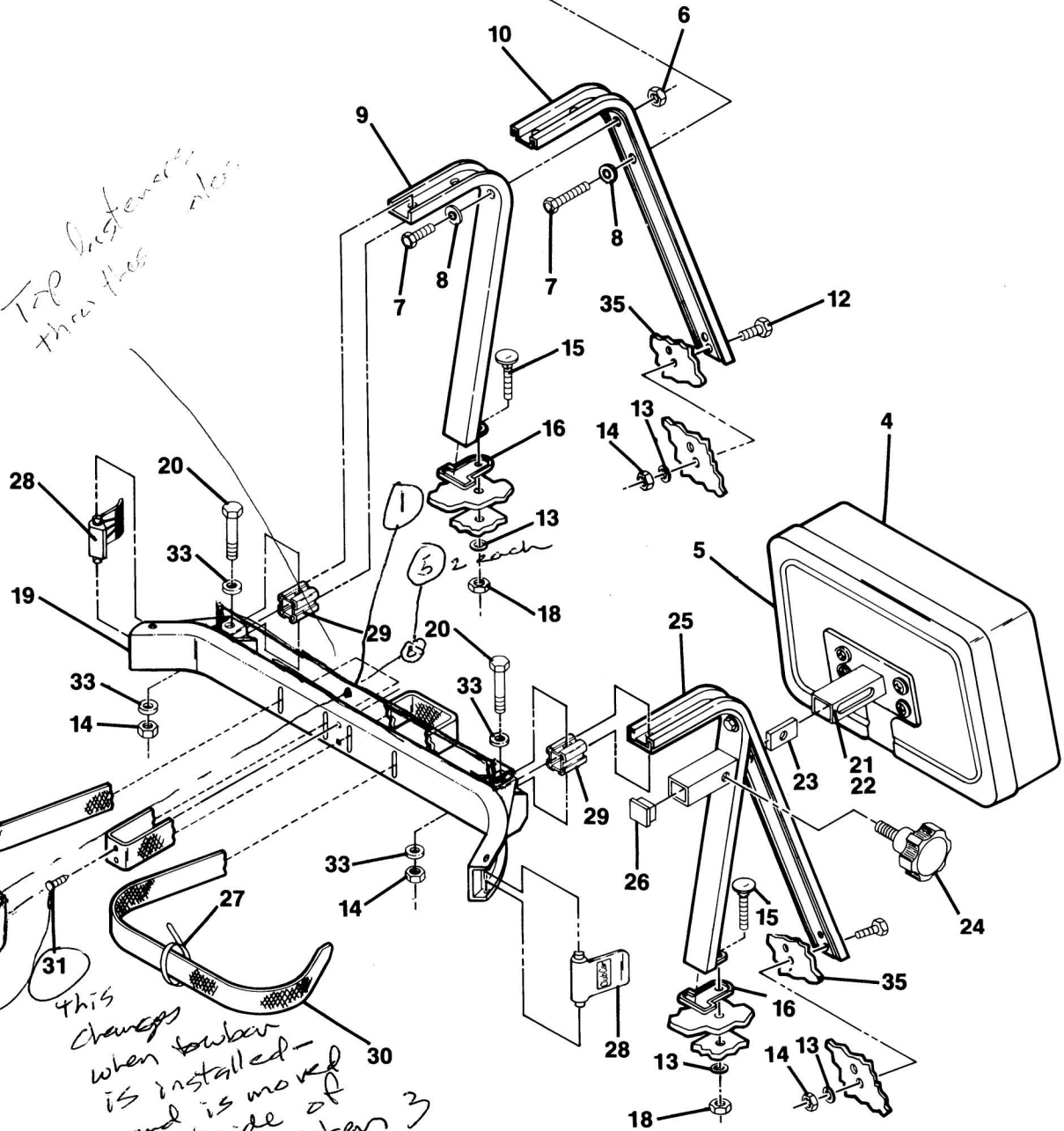
COVERS — REAR

ITEM NUMBER	PART NUMBER	1 2 3 4	DESCRIPTION	UNITS PER VEHICLE	UNITS PER VEHICLE
				GAS	ELECTRIC
16	1016926-01		BODY (BEIGE)	1	
16	1016926-02		BODY (WHITE)	1	
16	1016926-03		BODY (NON-STANDARD)	1	
16	1016926-04		BODY (GRAY)	1	
16	1016926-05		BODY (GREEN)	1	
16	1016926-06		BODY (RED)	1	
16	1016926-07		BODY (LIGHT BLUE)	1	
16A	1016933-01		BODY (BEIGE)		1
16A	1016933-02		BODY (WHITE)		1
16A	1016933-03		BODY (NON-STANDARD)		1
16A	1016933-04		BODY (GRAY)		1
16A	1016933-05		BODY (GREEN)		1
16A	1016933-06		BODY (RED)		1
16A	1016933-07		BODY (LIGHT BLUE)		1
16A	1016962-01		BODY WITH TAILLIGHT OPENINGS (BEIGE)		1
16A	1016962-02		BODY WITH TAILLIGHT OPENINGS (WHITE)		1
16A	1016962-03		BODY WITH TAILLIGHT OPENINGS (NON-STANDARD)		1
16A	1016962-04		BODY WITH TAILLIGHT OPENINGS (GRAY)		1
16A	1016962-05		BODY WITH TAILLIGHT OPENINGS (GREEN)		1
16A	1016962-06		BODY WITH TAILLIGHT OPENINGS (RED)		1
16A	1016962-07		BODY WITH TAILLIGHT OPENINGS (LIGHT BLUE)		1
16	1016962-08		BODY WITH TAILLIGHT OPENINGS (BEIGE)	1	
16	1016962-09		BODY WITH TAILLIGHT OPENINGS (WHITE)	1	
16	1016962-10		BODY WITH TAILLIGHT OPENINGS (NON-STANDARD)	1	
16	1016962-11		BODY WITH TAILLIGHT OPENINGS (GRAY)	1	
16	1016962-12		BODY WITH TAILLIGHT OPENINGS (GREEN)	1	
16	1016962-13		BODY WITH TAILLIGHT OPENINGS (RED)	1	
16	1016962-14		BODY WITH TAILLIGHT OPENINGS (LIGHT BLUE)	1	
17	1015420		SOUND INSULATION	2	
18	1015419		SOUND INSULATION	1	
19	1016963		SOUND INSULATION	1	
20	1015476		GASOLINE TANK DANGER LABEL	1	
21	1016083		MANIFOLD WARNING LABEL	1	
22	1013392		WARNING: MOVING PARTS DECAL	2	
23	1017114		SCREW, 1/4-20 X 1 PHILLIPS HEAD (BLACK)	8	8
24	8233		LOCKNUT, 1/4-20 NYLON	4	4
24	1015525		1/4-20 BLIND NUT	2	
25	1015829-01		ACCESS PANEL (BEIGE) KIT	1	
25	1015829-02		ACCESS PANEL (BLACK) KIT	1	
26	1013677		BATTERY DANGER DECAL		1
27	1013496		RESISTOR WARNING DECAL		1
28	1012412		HINGE PLATE	2	2
29	332		FLATWASHER, 1/4"	4	4
30	1017141		BODY SUPPORT — FRONT (NOT SHOWN)	1	1
31	1016952		1/4-20 U-NUT	2	2
32	1014415		1/4-20 X 3/4" TORX TRUSS HEAD SCREW	2	2
33	8251		1/4-20 X 1" PHILLIPS HEAD SCREW	4	4

G
E
1



*Top fasteners
through here*



SEAT BACK AND BAG HOOP

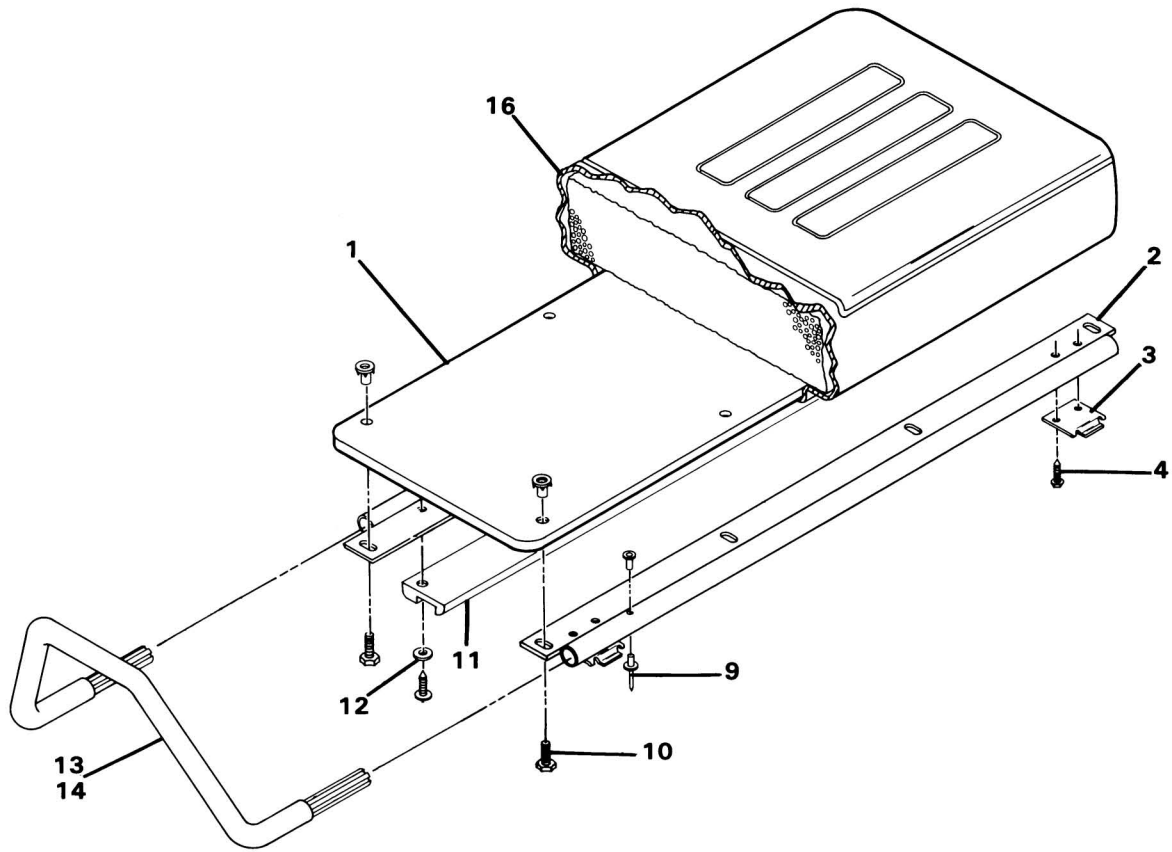
SEAT BACK AND BAG HOOP

ITEM NUMBER	PART NUMBER	1 2 3 4	DESCRIPTION	UNITS PER VEHICLE	
				GAS	ELECTRIC
1	8248		SCREW, 1/4-20 X 3/4"	8	8
2	8304		LOCKWASHER, 1/4" INTERNAL TOOTH	8	8
3	1011716		PLATE MOUNTING ASSEMBLY	2	2
4	1015651-02		SEAT BACK ASSEMBLY — THICK BUNN (WHITE WITH BLACK CAP) INCLUDES ITEM 5	2	2
4	1015651-03		SEAT BACK ASSEMBLY — THICK BUNN (NON-STANDARD WITH BLACK CAP) INCLUDES ITEM 5	2	2
4	1015651-04		SEAT BACK ASSEMBLY — THICK BUNN (WHITE WITH TAN CAP) INCLUDES ITEM 5	2	2
4	1015651-05		SEAT BACK ASSEMBLY — THICK BUNN (BUFF WITH BLACK CAP) INCLUDES ITEM 5	2	2
5	1011231		CAP, SEAT BACK (TAN)	2	2
5	1013938		CAP, SEAT BACK (BROWN)	2	2
5	1013335		CAP, SEAT BACK (BLACK)	2	2
6	8233		LOCKNUT, 1/4-20 NYLON	2	2
7	7847		BOLT, HEX HEAD, 1/4-20 X 3/4"	4	4
8	332		FLATWASHER, 1/4"	6	6
9	1011710		KNEE BRACE WELD ASSEMBLY	2	2
10	1011708		MAIN SEAT BACK SUPPORT	2	2
12	1010577		BOLT, HEX HEAD, 5/16-18 X 1-1/2"	4	4
13	1241		FLATWASHER, 5/16"	6	6
14	7473		LOCKNUT, 5/16-18 NYLON	8	8
15	7818		BOLT, 5/16-18 X 1-1/2" CARRIAGE	2	2
16	1011706		MOUNTING PAD	2	2
18	1242		NUT, HEX, 5/16-18	2	2
19	1013935		BAG HOOP ASSEMBLY INCLUDES ITEMS 28, 30 AND 31	1	1
20	1017182		BOLT, HEX HEAD, 5/16-18 X 2-1/4" (BLACK)	2	2
21	1011794		ADJUSTABLE SEAT BACK KIT (OPTION) INCLUDES ITEMS 22-26	A/R	A/R
22	1011752		MOUNTING PLATE WELD ASSEMBLY	2	2
23	1010322		SEAT ADJUSTER LOCK	2	2
24	1011761		SEAT ADJUSTER KNOB	2	2
25	NO #		ADJUSTABLE SEAT BACK WELD ASSEMBLY (SEE ITEM 21)	2	2
26	1011760		TUBE PLUG	2	2
27	8639		TIE WRAP	1	1
28	1013754		BUCKLE	2	2
29	1013884		SPACER, BAG HOOP	2	2
30	1010413		BELT STRAP ASSEMBLY	1	1
31	1010434		PLASTIC BARRELS (BLACK)	2	2
32	1015626-01		VINYL COVER - SEAT BACK (BUFF)	A/R	A/R
32	1015626-02		VINYL COVER - SEAT BACK (WHITE)	A/R	A/R
32	1015626-03		VINYL COVER - SEAT BACK (NON-STANDARD)	A/R	A/R
33	1017173		FLATWASHER, 5/16" (BLACK)	4	4
34	1015661		1/4-20 FLANGE LOCKNUTS	2	2
35	1017138		BODY SUPPORT — REAR	1	1

G

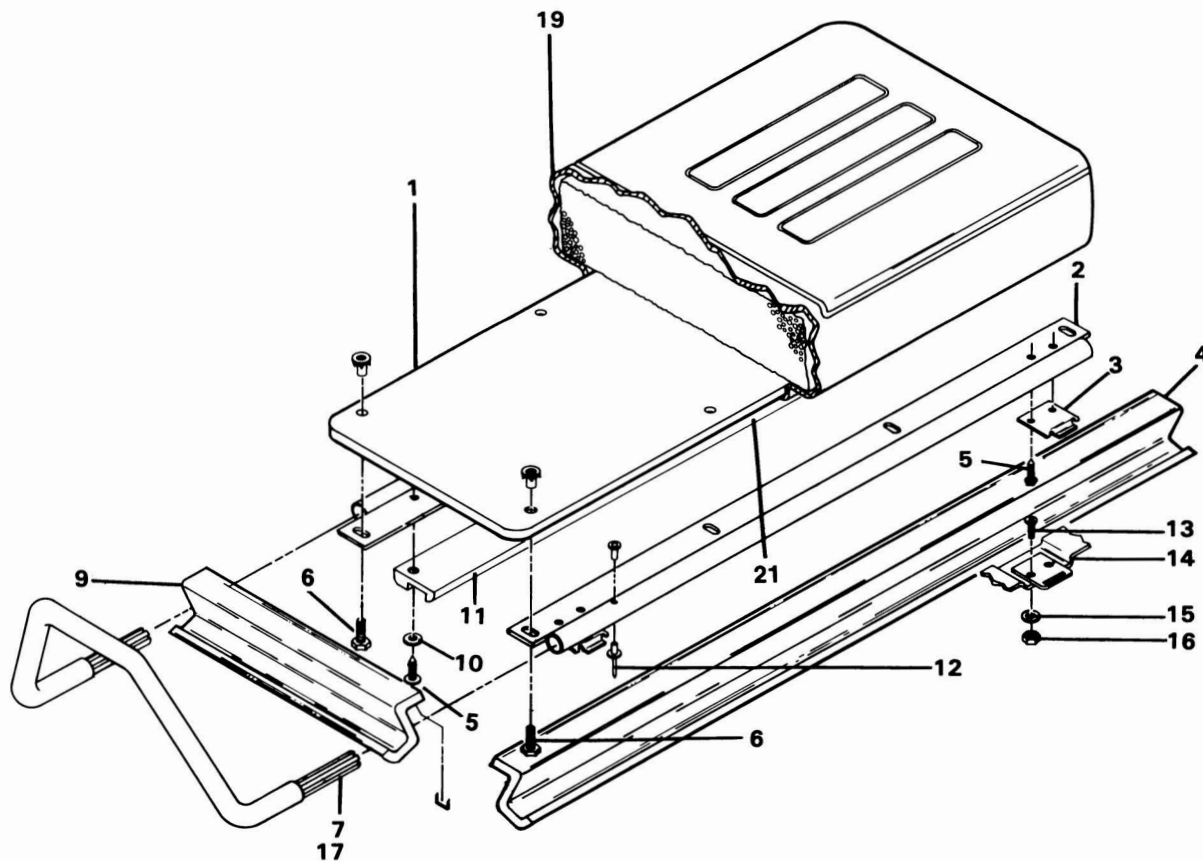
E

1



SEAT BOTTOM AND ARMREST — ELECTRIC VEHICLE

ITEM NUMBER	PART NUMBER	1 2 3 4				DESCRIPTION	UNITS PER VEHICLE
		1	2	3	4		
1	1015648-04					SEAT BOTTOM ASSEMBLY, (BUFF)	1
1	1015648-05					SEAT BOTTOM ASSEMBLY, (WHITE)	1
1	1015648-06					SEAT BOTTOM ASSEMBLY, (NON-STANDARD)	1
2	1015625					BRACKET, SEAT SUPPORT	2
3	1011652					PLATE, SEAT HINGE	2
4	1011451					SCREW, #12 TYPE AB	9
9	1012327					RIVET, 3/16" MATING	4
10	304					BOLT, 1/4-20 HEX	8
11	1012597					BUMPER, SEAT	1
12	183					WASHER, #10 FLAT	3
13	1011786					LEFT ARMREST ASSEMBLY	1
14	1011780					RIGHT ARMREST ASSEMBLY	1
15	1015670					ARMREST SEAT BOTTOM ASSEMBLY KIT INCLUDES ITEMS 2, 9, 13 AND 14	1
16	1015627-01					VINYL COVER - SEAT BOTTOM (BUFF)	A/R
16	1015627-02					VINYL COVER - SEAT BOTTOM (WHITE)	A/R
16	1015627-03					VINYL COVER - SEAT BOTTOM (NON-STANDARD)	A/R



SEAT BOTTOM AND ARMREST ASSEMBLY — GAS VEHICLE

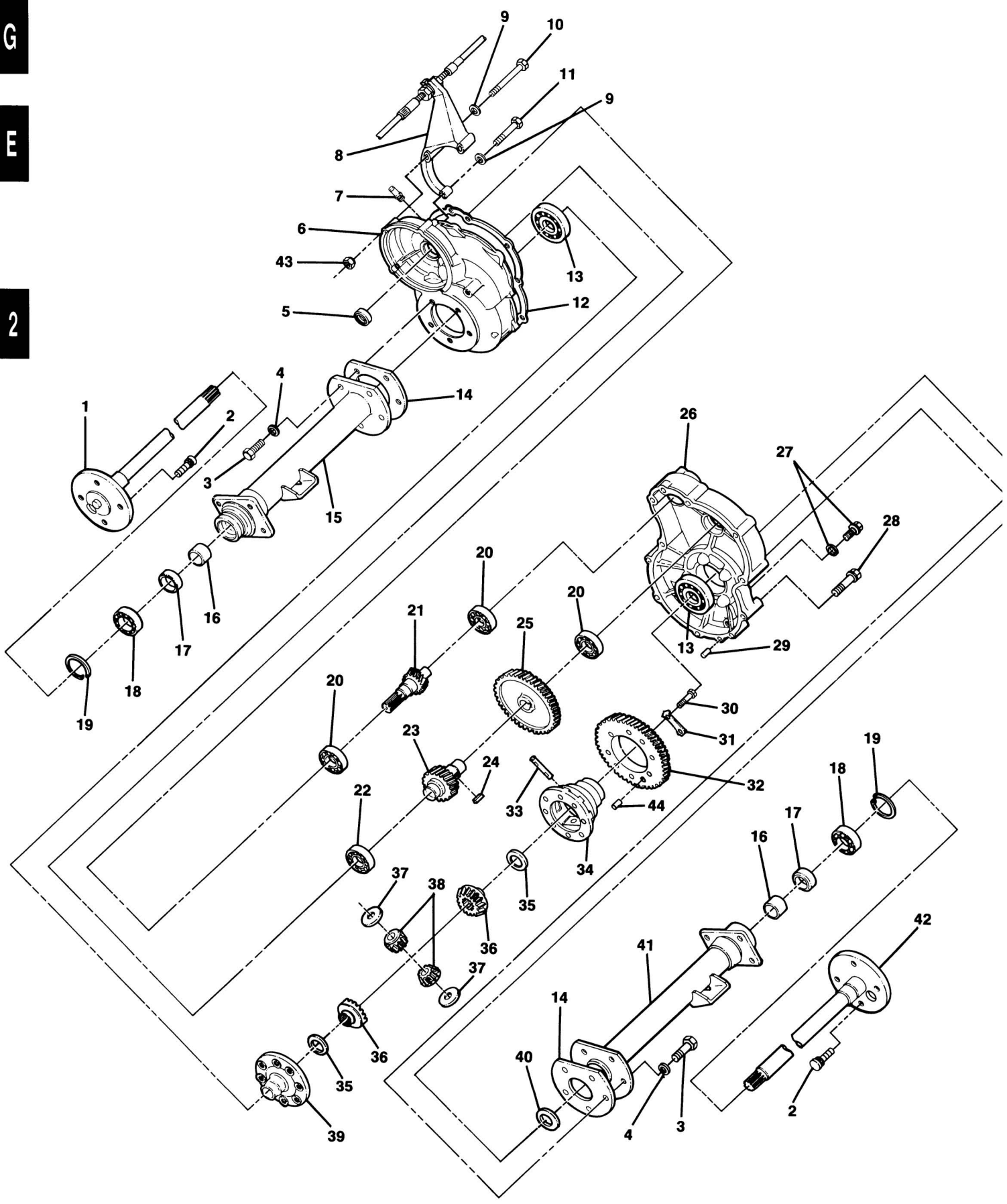
ITEM NUMBER	PART NUMBER	1 2 3 4				DESCRIPTION	UNITS PER VEHICLE
		1	2	3	4		
1	1015648-04					SEAT BOTTOM ASSEMBLY (BUFF)	1
1	1015648-05					SEAT BOTTOM ASSEMBLY (WHITE)	1
1	1015648-06					SEAT BOTTOM ASSEMBLY (NON STANDARD)	1
2	1015625					BRACKET, SEAT SUPPORT	2
3	1011652					PLATE, SEAT HINGE	2
4	1012657					GASKET, SEAT (LONG)	1
5	1011451					SCREW, #12 TYPE AB	9
6	304					BOLT, 1/4-20 HEX	8
7	1011786					LEFT ARMREST ASSEMBLY	1
9	1012656					GASKET, SEAT (SHORT)	2
10	183					WASHER, #10 FLAT	5
11	1012597					BUMPER, SEAT	1
12	1012327					RIVET, 3/16 MATING	4
13	8251					SCREW, 1/4-20 PHILLIPS HEAD	4
14	1012412					PLATE, BODY HINGE	2
15	332					WASHER, 1/4 FLAT	4
16	8233					NUT, 1/4-20 NYLON LOCK	4
17	1011780					RIGHT ARMREST ASSEMBLY	1
19	1015627-01					VINYL COVER - SEAT BOTTOM (BUFF)	A/R
19	1015627-02					VINYL COVER - SEAT BOTTOM (WHITE)	A/R
19	1015627-03					VINYL COVER - SEAT BOTTOM (NON STANDARD)	A/R
20	1015670					ARMREST SEAT BOTTOM ASSEMBLY KIT INCLUDES ITEMS 2, 12, 7 AND 17	1
21	1015417					SOUND INSULATION (NOT SHOWN)	1
22	1016623					INSULATION RETAINER (NOT SHOWN)	2

G

E

1

Section 2
DRIVE UNIT



DRIVE UNIT

DRIVE UNIT

ITEM NUMBER	PART NUMBER	DESCRIPTION				UNITS PER VEHICLE
		1	2	3	4	
	1013664	DRIVE UNIT				1
		INCLUDES ALL ITEMS EXCEPT 8, 9, 10, 11 AND 43				
1	1013785	AXLE ASSEMBLY, RIGHT				1
		INCLUDES ITEMS 2, 16, 18 AND 19				
2	1013787	LUG STUD				8
3	1013790	BOLT (10 X 30)				10
4	1013791	LOCKWASHER				10
5	1013775	INPUT SHAFT OIL SEAL				1
6	1013756	GEAR CASE — RIGHT HAND				1
7	1012711	BREATHER PLUG				1
8	1013866	SHIFT CABLE SUPPORT BRACKET KIT (GAS VEHICLE ONLY)				1
		INCLUDES ITEMS 9, 10, 11 AND 43				
9	332	1/4" FLATWASHER				6
10	1013872	1/4-20 X 4" HEX BOLT				2
11	1012462	1/4-20 X 3-1/2" HEX BOLT				1
12	1013758	GASKET				1
13	7330	INNER AXLE, TUBE BEARING				2
14	1013789	GASKET — AXLE TUBE				2
15	1014209	AXLE TUBE ASSEMBLY — RIGHT HAND				1
16	1014207	BUSHING WITH GROOVE IN END				1
17	1013794	AXLE SHAFT OIL SEAL				2
18	1011291	OUTER AXLE TUBE BEARING				2
19	1013792	CIRCLIP, TYPE-C				2
20	7335	INPUT GEAR BEARING				3
21	1013764	SHAFT, INPUT				1
22	7336	INTERMEDIATE GEAR BEARING				1
23	1013766	INTERMEDIATE GEAR — SMALL				1
24	1013780	KEY, SUNK				1
25	1013765	INTERMEDIATE GEAR — LARGE				1
26	1013757	GEAR CASE — LEFT HAND				1
27	1013759	FILL PLUG WITH GASKET				2
28	1013763	BOLT (6 X 50)				10
29	1012710	PIN, DOWEL				2
30	1013779	BOLT (8 X 37)				8
31	1013782	PLATE, LOCK				4
32	1013767	OUTPUT GEAR				1
33	1013772	DIFFERENTIAL PIN				1
34	1013768	DIFFERENTIAL GEAR CASE — LEFT HAND				1
35	1013773	PLATE, THRUST (DIFFERENTIAL GEAR)				2
36	1013771	DIFFERENTIAL GEAR				2
37	1013774	PLATE, THRUST (IDLER GEAR)				2
38	1013770	DIFFERENTIAL IDLER GEAR				2
39	1013769	DIFFERENTIAL GEAR CASE — RIGHT HAND				1
40	1013781	SHIM				A/R
41	1014210	AXLE TUBE ASSEMBLY — LEFT HAND				1
42	1013786	AXLE ASSEMBLY, LEFT				1
		INCLUDES ITEMS 2, 16, 18 AND 19				
43	8233	1/4-20 NYLON LOCKNUT				3
44	1014193	PIN, DOWEL				1

G

E

2

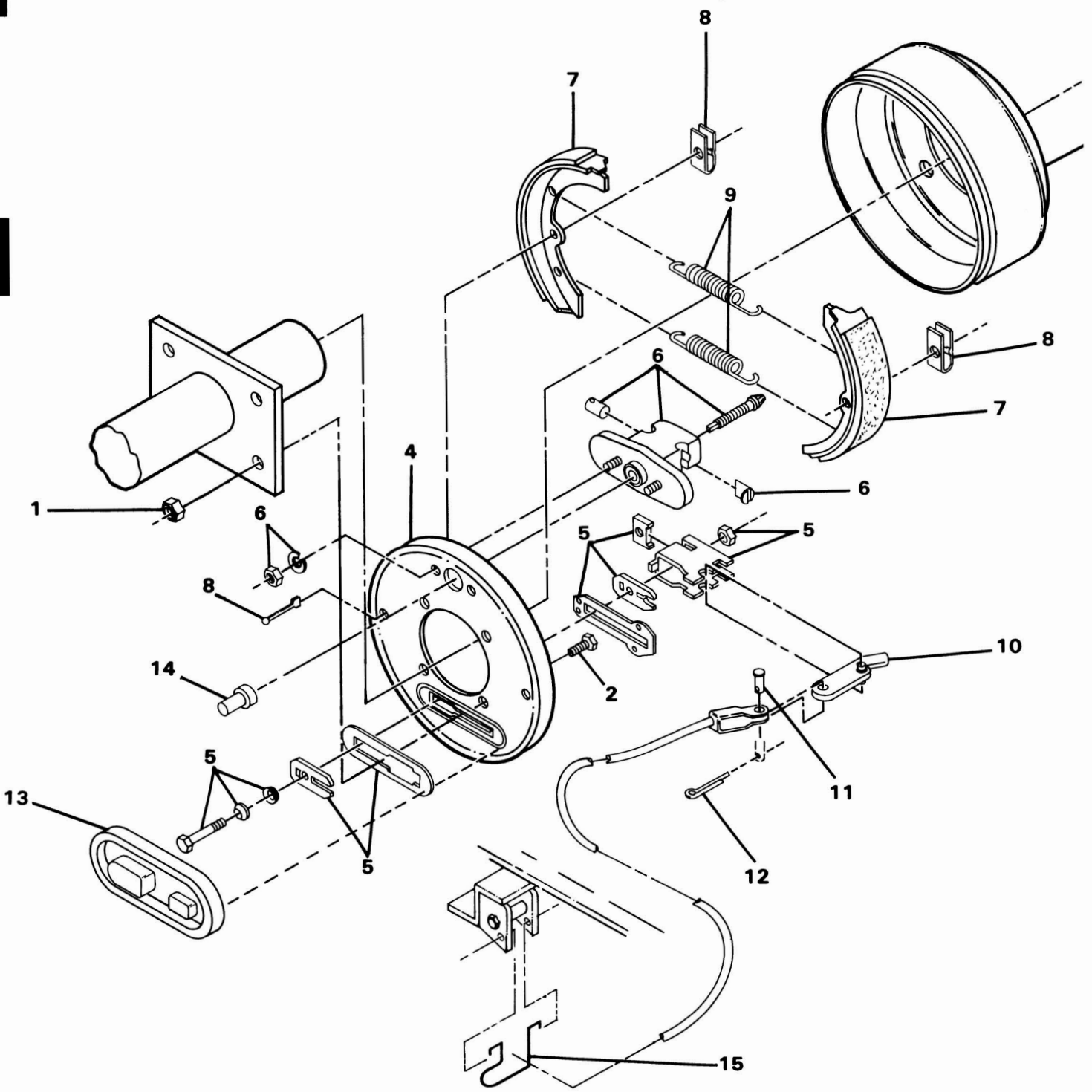
G

E

2

Section 3

BRAKES, PEDAL AND CABLE ASSEMBLY



BRAKE CLUSTER, RIGHT HAND AND LEFT HAND

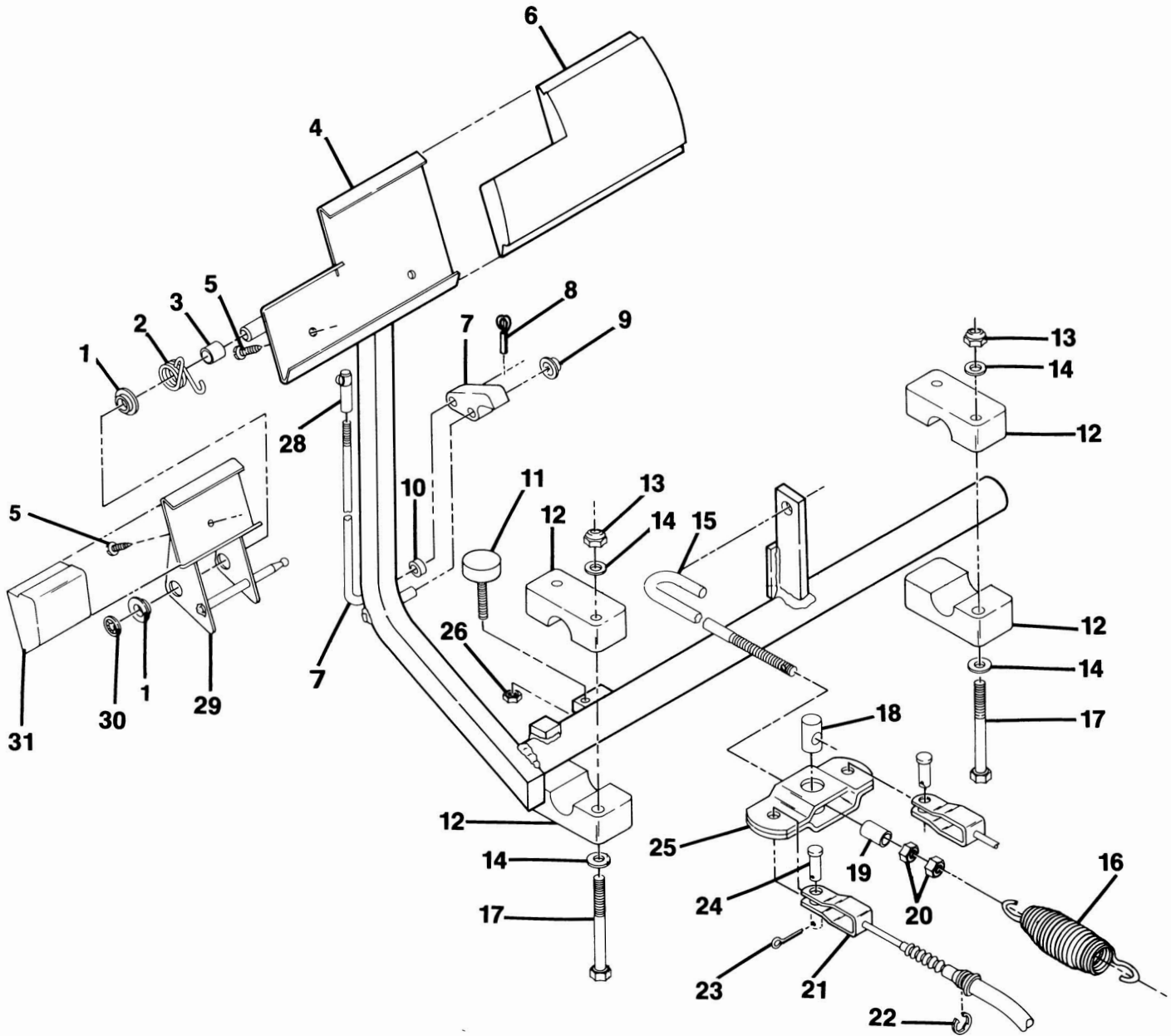
BRAKE CLUSTER, RIGHT HAND AND LEFT HAND

ITEM NUMBER	PART NUMBER	DESCRIPTION	UNITS PER VEHICLE
	1011146	RIGHT HAND BRAKE CLUSTER COMPLETE INCLUDES ITEMS 4 THRU 14	1
	1011145	LEFT HAND BRAKE CLUSTER COMPLETE INCLUDES ITEMS 4 THRU 14	1
1	1013924	LOCKNUT, 5/16-24, GRADE 8	8
2	1014153	BOLT, BRAKE CLUSTER MOUNTING	8
3	1011137	DRUM, BRAKE	2
4	1011494	PLATE BACKING, LEFT HAND	1
4	1011154	PLATE BACKING, RIGHT HAND	1
5	1011465	BRAKE ACTUATOR KIT	1
6	1011467	ANCHOR BODY KIT	1
7	1011463	BRAKE SHOE PACKAGE (4 PIECES)	1
8	1011466	SHOE RETAINER KIT	1
9	1011464	BRAKE SPRING PACKAGE	1
10	1011297	ARM, BRAKE LEVER	2
11	1010829	PIN, 5/16" CLEVIS	2
12	1035	PIN, COTTER	2
13	1010850	COVER, DUST	2
14	1011303	CAP, ADJUSTMENT BOLT	2
15	1013207	BRAKE CABLE HANGER	2

G

E

3



BRAKE PEDAL AND CABLE ASSEMBLY

BRAKE PEDAL AND CABLE ASSEMBLY

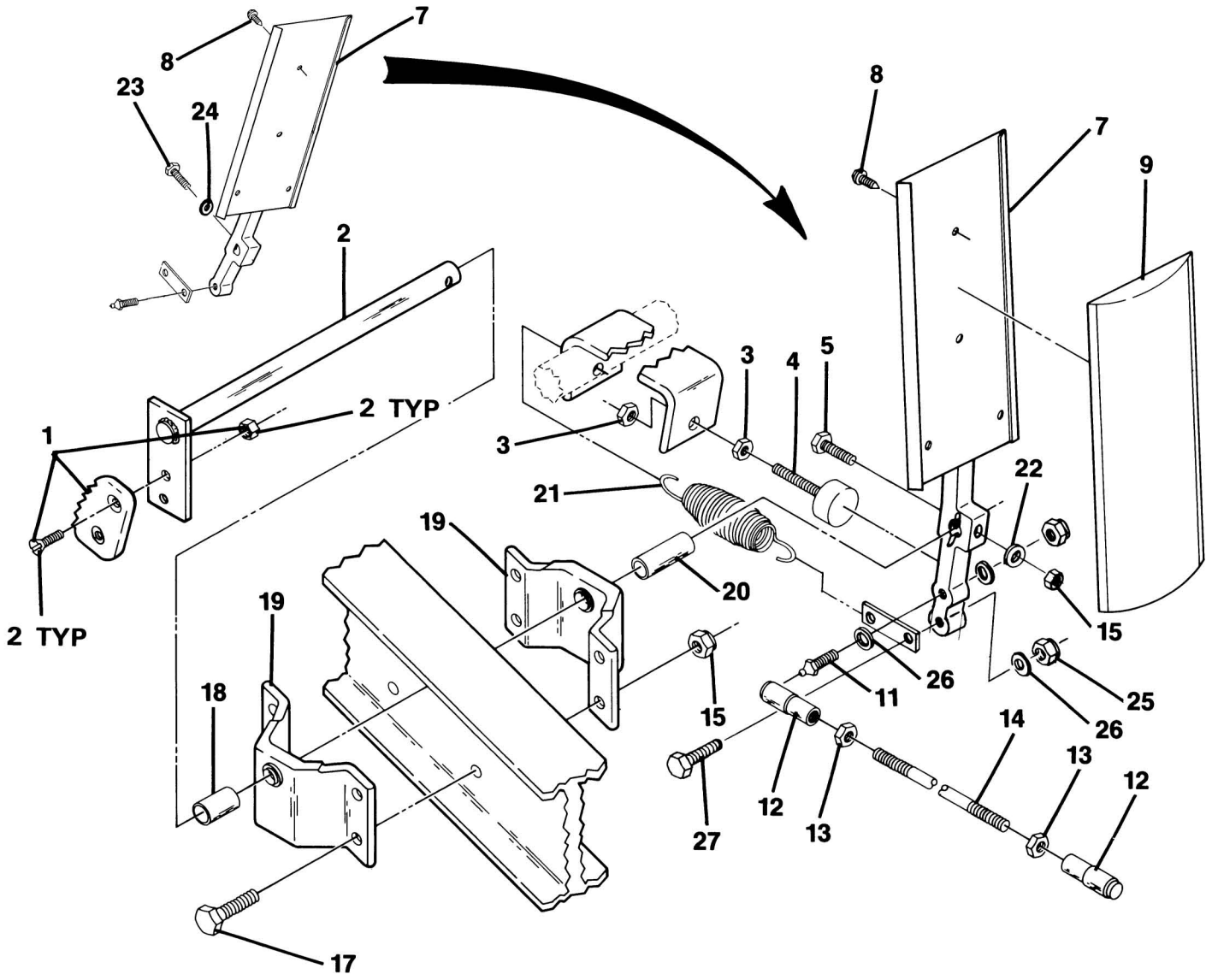
ITEM NUMBER	PART NUMBER	DESCRIPTION	UNITS
			PER VEHICLE
1	1032	NYLON BUSHING	2
2	1010933	TORSION SPRING	1
3	1010927	HILL BRAKE SPACER	1
4	1011406	BRAKE PEDAL KIT INCLUDES ITEMS 5 & 6	1
5	7716	SCREW, NO. 10-16 SHEET METAL	6
6	1013869	BRAKE PEDAL PAD	1
7	1016173	HILL BRAKE ROD AND PAWL KIT INCLUDES ITEMS 7, 8, 9 AND 10	1
8	1017029	PIN - COTTER, 7/64 X 1/2", 302 STAINLESS STEEL	1
9	1010877	NUT, 5/16 PUSH	1
10	1010805	HILL BRAKE ROD SLEEVE	1
11	1010878	BRAKE STOP	1
12	1011402	BRAKE MOUNTING BLOCK PACKAGE	1
13	7473	NUT, 5/16-18 NYLON LOCK	4
14	1241	WASHER, 5/16 FLAT	8
15	1010808	EQUALIZER ROD	1
16	1013532	SPRING, BRAKE RETURN (GAS VEHICLE)	1
16	1013531	SPRING, BRAKE RETURN (ELECTRIC VEHICLE)	1
17	1010921	BOLT, 5/16-18 HEX	4
18	1016320	LIMITER EQUALIZER PIVOT	1
19	1013855	SPACER EQUALIZER	1
20	1242	NUT, 5/16-18 HEX	2
21	1011403	BRAKE CABLE KIT INCLUDES ITEMS 22, 23, 24	2
22	1011779	RING, "E"	4
23	1035	PIN, COTTER	2
24	1010829	PIN, 5/16 CLEVIS	2
25	1016319	EQUALIZER WELD ASSEMBLY	1
26	1028	NUT, 1/4-20 HEX	1
28	1010932	BALL JOINT, 1/4-28	1
29	1011418	HILL BRAKE KIT INCLUDES ITEMS 1, 5, 29, 30, 31	1
30	1013876	NUT, 3/8 PUSH	1
31	1013870	PAD, HILL BRAKE	1
32	1017211	EQUALIZER AND PIVOT LIMITER KIT INCLUDES ITEMS 18 AND 25	1

G

E

3

ELECTRIC VEHICLE ONLY



ACCELERATOR PEDAL ASSEMBLY

ACCELERATOR PEDAL ASSEMBLY

ITEM NUMBER	PART NUMBER	DESCRIPTION				UNITS PER VEHICLE
		1	2	3	4	
1	1011877	LATCH, HILL BRAKE				1
2	1016166	ROD, ACCELERATOR PIVOT (GAS VEHICLE)				1
2	1016116	ROD, ACCELERATOR PIVOT (ELECTRIC VEHICLE)				1
3	1028	NUT, 1/4-20 HEX				2
4	1010878	STOP, BRAKE				1
5	1016619	BOLT, 1/4-20 HEX				1
6	1014007	1/4" FLATWASHER				1
7	1016377-01	ACCELERATOR PEDAL ASSEMBLY (GAS VEHICLE) INCLUDES ITEMS 8, 9, 10, 11, 25, 26, AND 27				1
7	1010969	ACCELERATOR PEDAL ASSEMBLY (ELECTRIC VEHICLE) INCLUDES ITEMS 8, 9, 10, AND 11				1
8	7716	SCREW, #10-16 SHEET METAL				4
9	1013871	PAD, ACCELERATOR				1
10	1011691	HANGER, ACCELERATOR PEDAL SPRING				1
11	1016157	BALL STUD, 1/4-28 X 1.00 (GAS VEHICLE)				1
11	1010954	BALL STUD, 1/4-28 (ELECTRIC VEHICLE)				1
12	1011734	BALL JOINT, 1/4-28 SPRING LOADED				2
13	1011084	NUT, 1/4-28 JAM				2
14	1014085	ROD, ACCELERATOR (ELECTRIC VEHICLE) INCLUDES ITEMS 12 AND 13				1
14	1016168	ROD, ACCELERATOR (GAS VEHICLE) INCLUDES ITEMS 12 AND 13				1
15	8233	LOCKNUT, 1/4-20 NYLON				5
17	7479	BOLT, 1/4-20 HEX				4
18	1011699	SPACER, 1/2"				1
19	1011694	BRACKET, ACCELERATOR BEARING				2
20	1011700	SPACER, ACCELERATOR				1
21	1012075	SPRING EXTENSION				1
22	332	1/4" FLATWASHER				1
23	403	BOLT, 1/4"-20 HEX (ELECTRIC VEHICLE ONLY)				1
24	8304	WASHER, 1/4" INTERNAL TOOTH LOCK (ELECTRIC VEHICLE ONLY)				1
25	8717	1/4-28 NYLON HEX NUT (GAS VEHICLE)				2
26	1014007	1/4 FLATWASHER (GAS VEHICLE)				3
27	7510	1/4-28 X 1-1/4 HEX CAP SCREW (GAS VEHICLE)				1

G

E

3

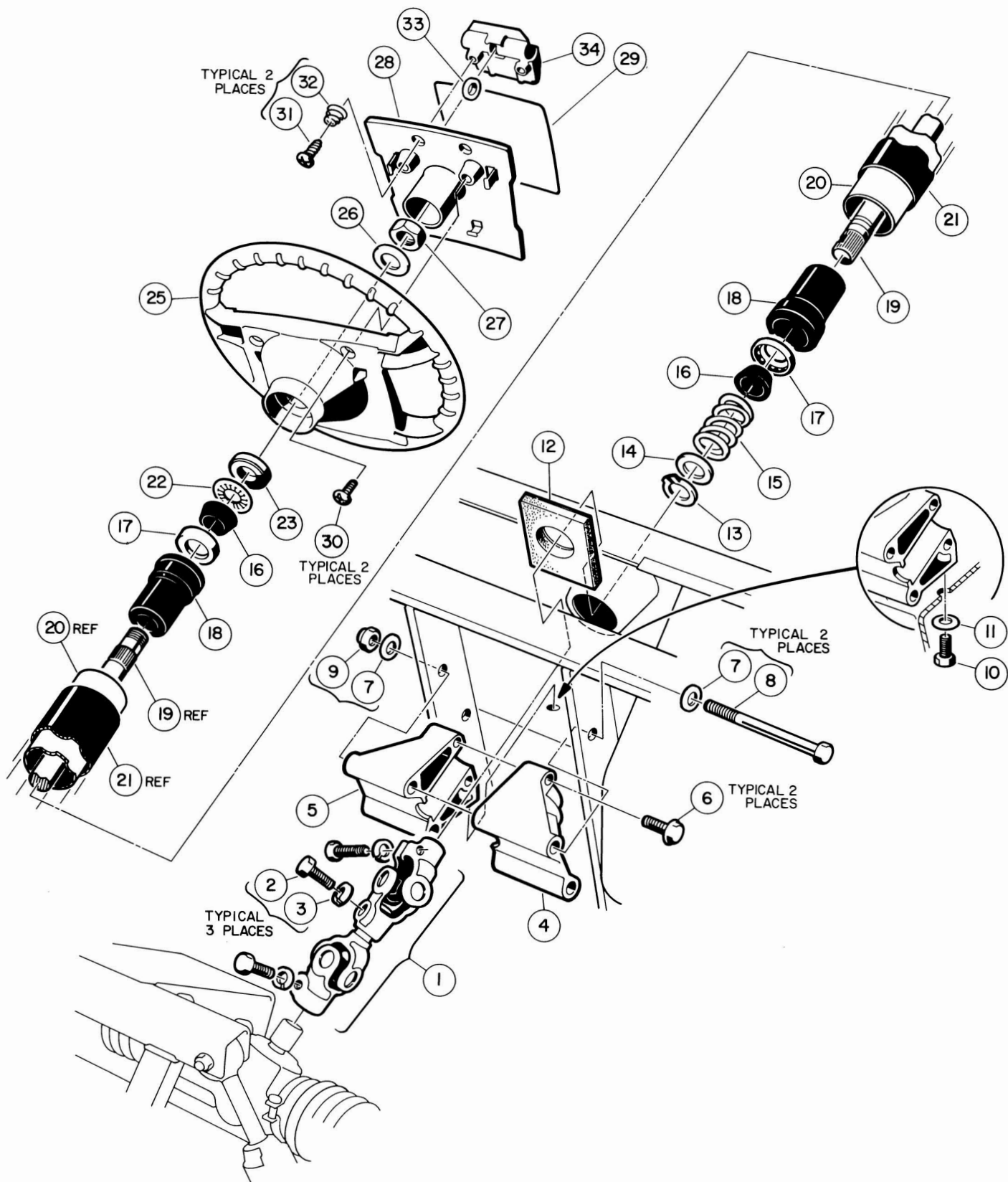
G

E

3

Section 4

STEERING AND FRONT SUSPENSION



STEERING COLUMN — ALUMINUM

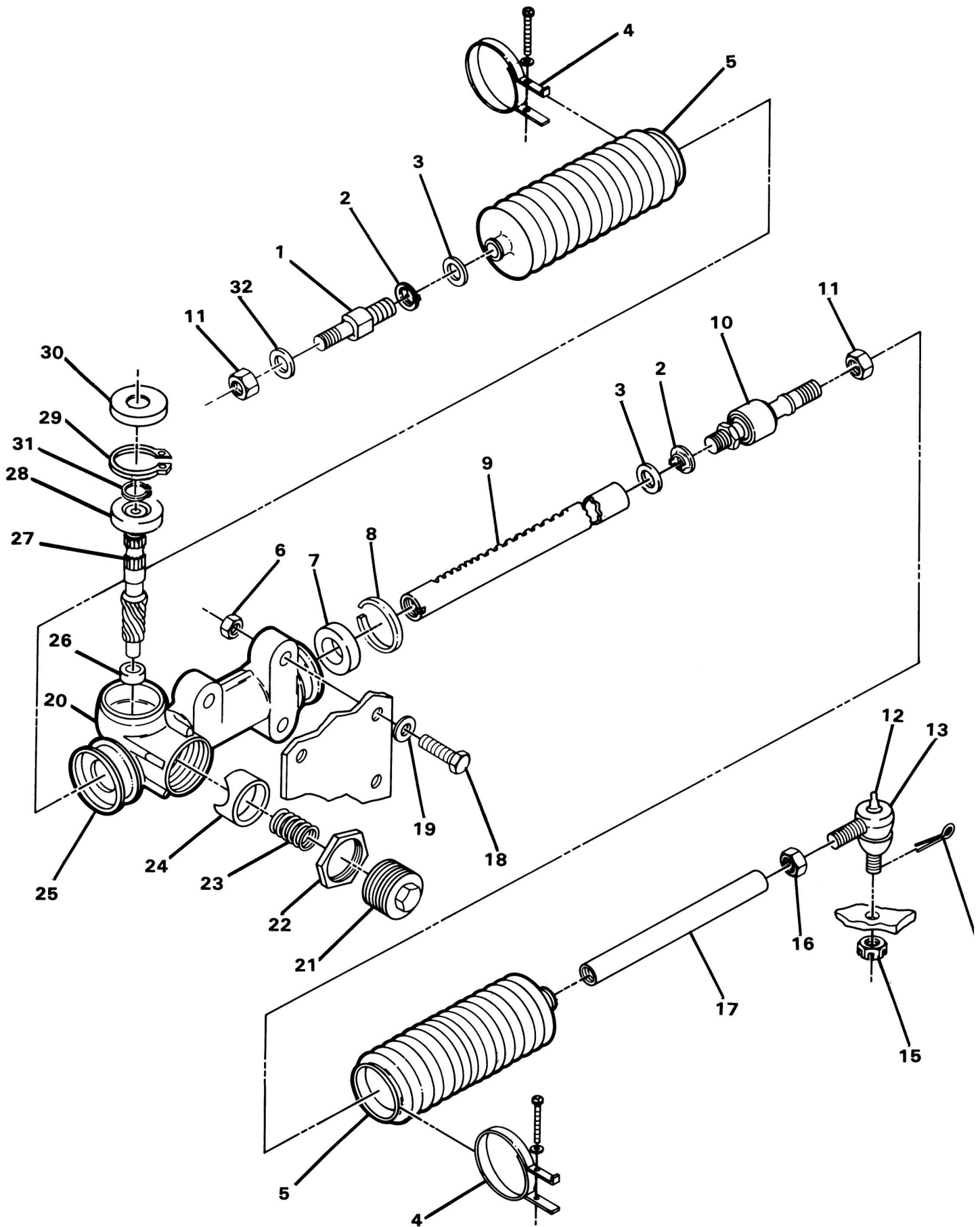
STEERING COLUMN — ALUMINUM

ITEM NUMBER	PART NUMBER	DESCRIPTION	UNITS PER VEHICLE
1	1013861	COMPOUND STEERING JOINT INCLUDES ITEMS 2 AND 3	1
2	1017226	HEX HEAD BOLT, 8MM	3
3	7174	LOCKWASHER, 5/16" DIAMETER	
4	1016185	STEERING COLUMN MOUNT, LEFT HAND	1
5	1016184	STEERING COLUMN MOUNT, RIGHT HAND	1
6	1016269	HEX WASH HEAD THREAD FORMING SCREW, 5/16-18 X 2	2
7	334	FLATWASHER, 3/8" DIAMETER	4
8	1016183	HEX HEAD BOLT, 3/8-16 X 6-1/2	2
9	8754	NYLON LOCKNUT, 3/8-16	2
10	1014288	HEX HEAD THREAD FORMING SCREW, 5/16-18 X 3/4	2
11	1011697	FLATWASHER, 5/16" DIAMETER	1
12	1012499	DUST BOOT	1
13	1012605	RETAINING RING	1
14	1012604	WASHER	1
15	1014217	SPRING	1
16	1014125	WEDGE	2
17	1014213	BEARING ASSEMBLY	2
18	1014126	BEARING SEAT	2
19	1015545	STEERING SHAFT	1
20	1016622	STEERING TUBE	1
21	1016263	STEERING TUBE COVER	1
22	1014214	RETAINING RING	1
23	1014211	BEARING SEAL	1
25	1016156	STEERING WHEEL	1
26	1012604	FLATWASHER, 5/8" DIAMETER	1
27	7278	HEX JAM NUT, 5/8-18	1
28	1016219	SCORE CARD PLATE ASSEMBLY INCLUDES ITEMS 28 AND 31 THRU 34	1
29	1016216	OPERATING INSTRUCTIONS DECAL	1
30	1010715	TRI-LOBULAR SCREW, #10-14	4
31	1012565	SCREW, #12	2
32	1012566	SPRING	2
33	1016214	PENCIL GRIP	1
34	1016154	SCORE CARD CLIP	1
	1016181	STEERING COLUMN ASSEMBLY INCLUDES ITEMS 13 THRU 20, 22 AND 23	

G

E

4



STEERING ASSEMBLY

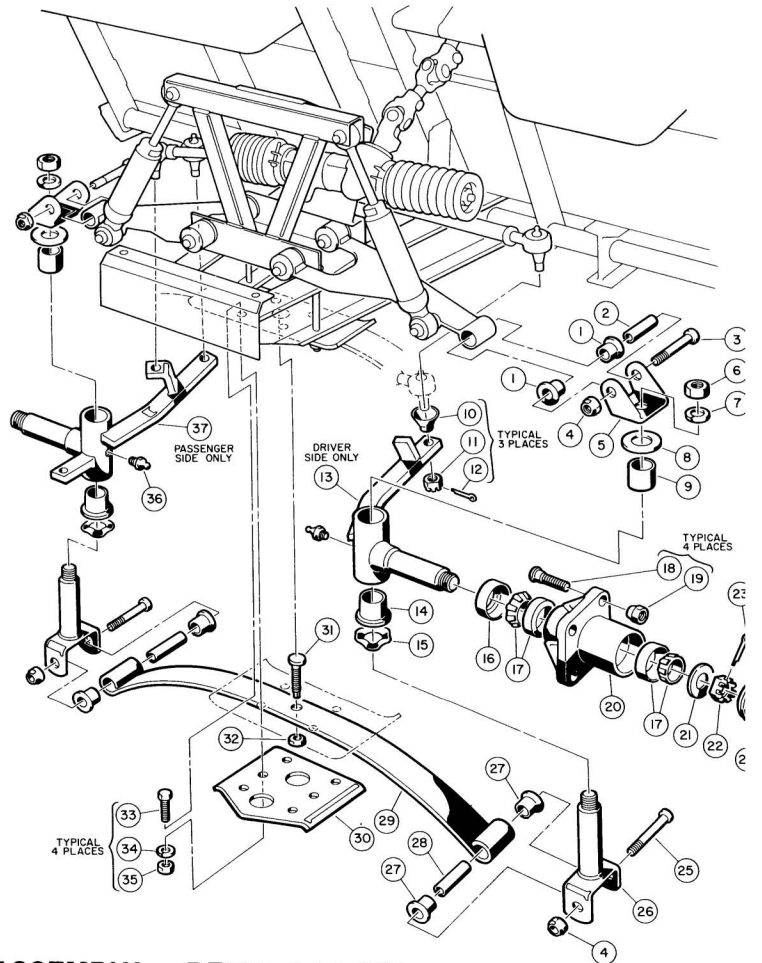
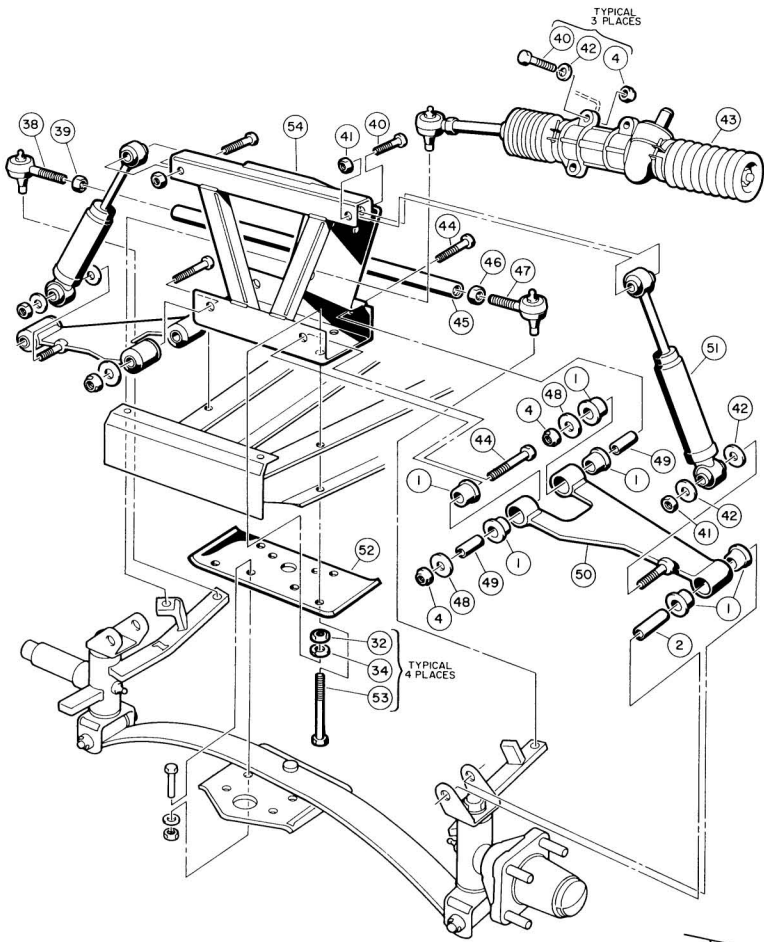
STEERING ASSEMBLY

ITEM NUMBER	PART NUMBER	1 2 3 4	DESCRIPTION	UNITS PER VEHICLE
1	1013053		BOLT, STOPPER, 12MM	1
2	1013040		LOCKWASHER, TIE ROD	2
3	1013039		WASHER, TIE ROD STOPPER	2
4	1013034		BAND, BELLOWS	2
5	1013035		SEAL, DUST	2
6	1010138		LOCKNUT, 3/8-16	3
7	1013036		BUSHING, RACK	1
8	1013037		RING, SNAP	1
9	NO #		RACK, STEERING (SEE ITEM 20)	1
10	1013041		END, RACK	1
11	1013042		NUT, HEX, 12MM	2
12	1015597		FITTING, GREASE	1
13	7540		SOCKET, VERTICAL, LEFT HAND INCLUDES ITEMS 12 AND 15	1
14	1035		PIN, COTTER	1
15	7602		NUT, HEX, SLOTTED, 3/8-24	1
16	7555		NUT, LEFT HAND, JAM, 1/2-20	1
17	1012467		LINK, DRAG	1
18	1624		BOLT, HEX, 3/8-16	3
19	334		FLATWASHER, 3/8	3
20	1012452		STEERING GEAR BOX ASSEMBLY INCLUDES ITEMS 1 THRU 5, 7 THRU 11 AND 21 THRU 30	1
21	1013043		SCREW, RACK GUIDE	1
22	1013044		LOCKNUT, RACK SCREW	1
23	1013045		SPRING, RACK GUIDE PRESSURE	1
24	1013046		GUIDE, STEERING RACK	1
25	1013047		BOX, STEERING GEAR	1
26	1013048		BUSHING, PINION	1
27	NO #		PINION, STEERING (SEE ITEM 20)	1
28	1012884		BALL BEARING	1
29	1013051		RING-RETAINING, INTERNAL	1
30	1013052		DUST SEAL, STEERING PINION	1
31	1013031		RING-RETAINING, EXTERNAL	1
32	1013030		WASHER, END	1
33	1011930		DUST SEAL	1

G

E

4



FRONT SUSPENSION ASSEMBLY — DELTA A-PLATE

FRONT SUSPENSION ASSEMBLY — DELTA A-PLATE

ITEM NUMBER	PART NUMBER	1 2 3 4				DESCRIPTION	UNITS PER VEHICLE
1	1016346					URETHANE BUSHING	12
2	1016350					DELTA OUTER SLEEVE	2
3	1016387					HEX HEAD BOLT, 3/8-16 X 2-3/4 LONG	2
4	8754					NYLON LOCKNUT, 3/8-16	11
5	1016384					UPPER DELTA CLEVIS	2
6	1308					HEX NUT, 1/2-20	2
7	209					LOCKWASHER, 1/2 DIAMETER	2
8	1010150					THRUST WASHER	2
9	8067					SPINDLE BUSHING	2
10	1011930					DUST BOOT	3
11	7602					HEX NUT, SLOTTED, 3/8-24	3
12	1035					COTTER PIN, 3/32 DIAMETER X 1 LONG	3
13	1010342					SPINDLE SUB ASSEMBLY, LEFT HAND	1
14	7048					BRONZE BUSHING	2
15	1016389					KINGPIN WAVE WASHER	2
16	1013135					DUST SEAL	2
17	1011393					HUB BEARING	4
18	1011304					LUG STUD	8
19	1011390					LUG NUT	8
20	1011153					HUB	2
21	1010005					FLATWASHER, 3/4 DIAMETER	2
22	7840					HEX NUT, SLOTTED, 3/4-16	2
23	7910					COTTER PIN	2
24	1011887					DUST COVER	2
25	8755					HEX HEAD BOLT, 3/8-16 X 3-3/8 LONG	2
26	1016386					KINGPIN ASSEMBLY	2
27	1015583					URETHANE BUSHING	4
28	1012303					STEEL BUSHING	2
29	1015108					TAMPERED LEAF SPRING (GAS VEHICLE)	1
29	1012030					TAMPERED LEAF SPRING (ELECTRIC VEHICLE)	1
30	1014276					RETAINER PLATE	1
31	8745					ADJUSTMENT ECCENTRIC	1
32	706					HEX NUT, 3/8-16	5
33	1624					HEX HEAD BOLT, 3/8-16 X 1-1/2 LONG	4
34	357					LOCKWASHER, 3/8 DIAMETER	8
35	706					HEX NUT, 3/8-16	4
36	1015597					GREASE FITTING	2
37	1010344					SPINDLE SUB ASSEMBLY, RIGHT HAND	1
	1011894					HUB ASSEMBLY	
						INCLUDES ITEMS 17, 18 AND 20	
	1015828					FRONT SPRING ASSEMBLY	
						INCLUDES ITEMS 29, 31 AND 32	
38	1011893					BALL JOINT, RIGHT HAND	1
39	1308					HEX NUT, 1/2-20, RIGHT HAND	1
40	1624					HEX HEAD BOLT, 3/8-16 X 1-1/2	5
41	1010138					DIMPLED LOCKNUT, 3/8-16	4
42	334					FLATWASHER, 3/8 DIAMETER	7
43	1012485					GEAR AND SOCKET ASSEMBLY	1
44	2402					HEX HEAD BOLT, 3/8-16 X 2-1/4	4
45	1010219					TIE ROD	1
46	7555					HEX NUT, 1/2-20, LEFT HAND	1
47	1011895					BALL JOINT, LEFT HAND	1
48	808					FLATWASHER, TYPE B, 3/8 DIAMETER	4
49	1016349					DELTA INNER SLEEVE	4
50	1016351					DELTA A-PLATE	2
51	1015813					FRONT SHOCK ABSORBER (GAS VEHICLE)	2
51	1014235					FRONT SHOCK ABSORBER (ELECTRIC VEHICLE)	2
52	1010124					SPRING MOUNTING PLATE	1
53	1010200					HEX HEAD BOLT, 3/8-16 X 4-1/4	4
54	1016385					SHOCK SUPPORT	1

G

E

4

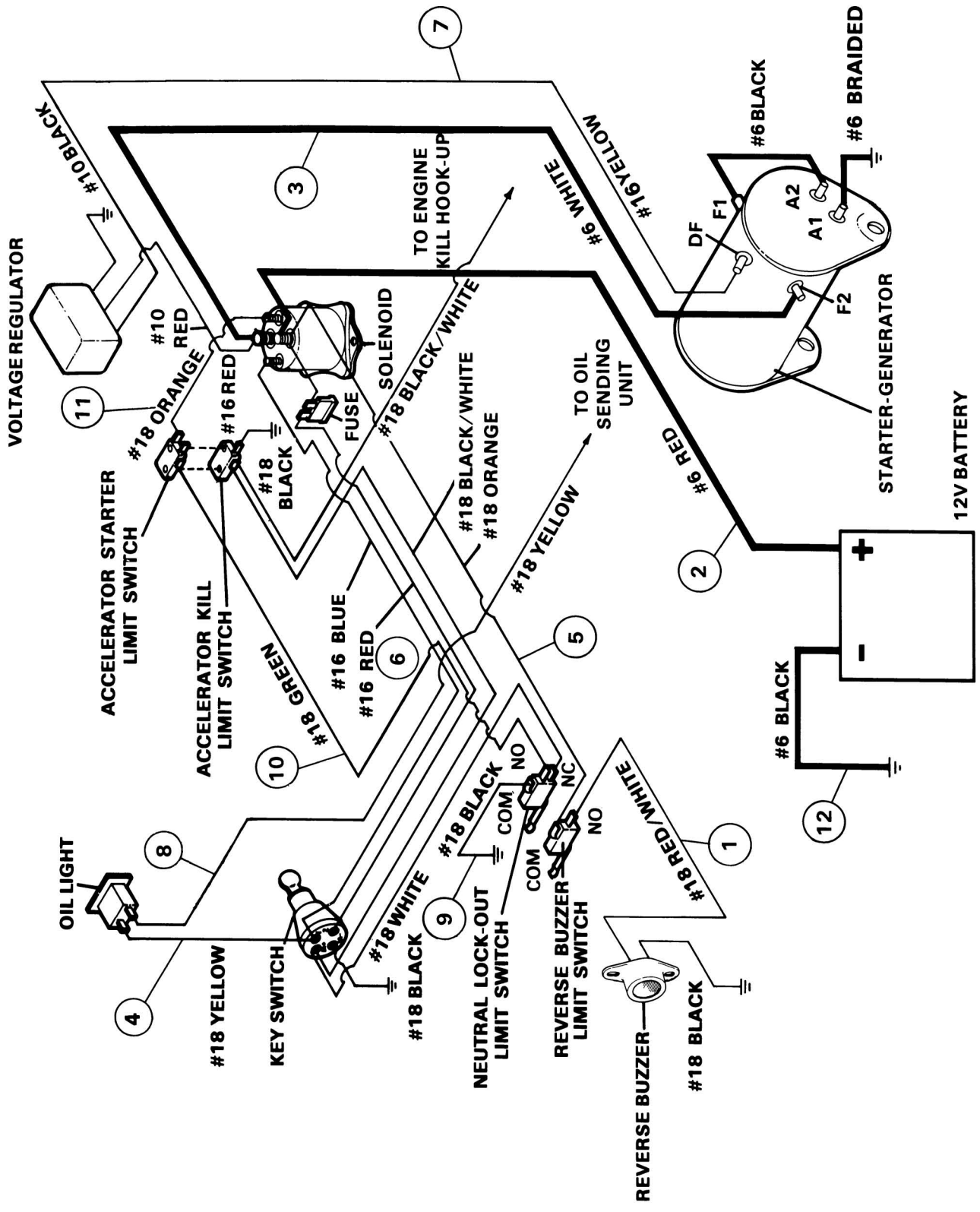
G

E

4

Section 5

ELECTRICAL AND BATTERY



WIRING — GAS VEHICLE

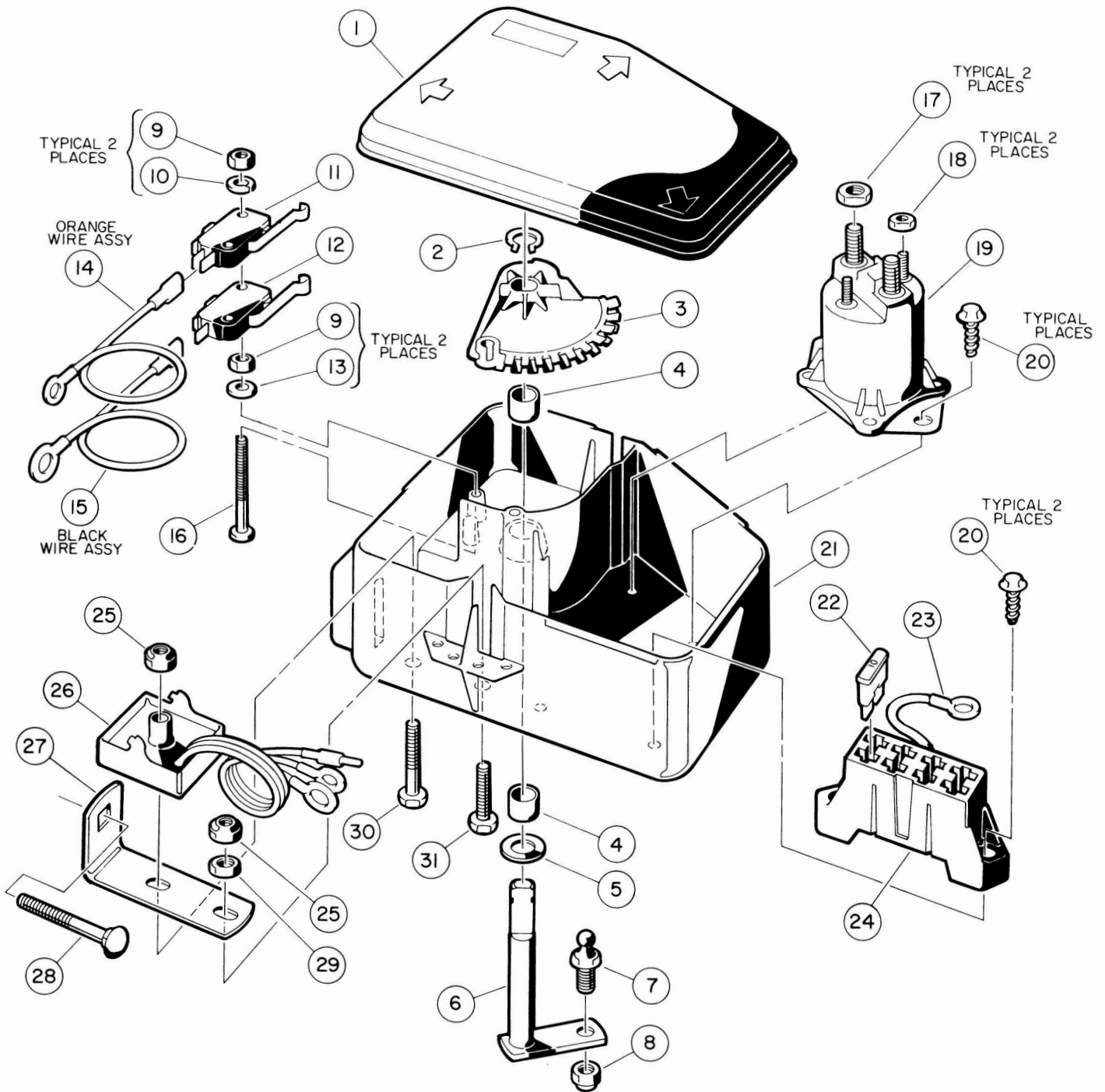
WIRING — GAS VEHICLE

G

ITEM NUMBER	PART NUMBER	DESCRIPTION	UNITS PER VEHICLE
		1 2 3 4	
	1015735	WIRE HARNESS ASSEMBLY	1
1	1013723	WIRE ASSEMBLY, #18 RED/WHITE	1
2	1014119	WIRE ASSEMBLY, #6 RED	1
3	1015769	WIRE ASSEMBLY, #6 WHITE	1
4	1013601	WIRE ASSEMBLY, #18 YELLOW	1
5	1015831	WIRE ASSEMBLY, #18 ORANGE	1
6	1015736	WIRE ASSEMBLY, #16 RED	1
7	1015738	WIRE ASSEMBLY, #16 YELLOW	1
8	1015740	WIRE ASSEMBLY, #18 YELLOW	1
9	1015780	WIRE ASSEMBLY, #18 BLACK	1
10	1015779	WIRE ASSEMBLY, #18 GREEN	1
11	1015767	WIRE ASSEMBLY, #18 ORANGE	1
12	1012382	WIRE ASSEMBLY, #6 BLACK	1

5

NOTE: ITEM #30 BOX COVER MOUNTING SCREW NOT SHOWN



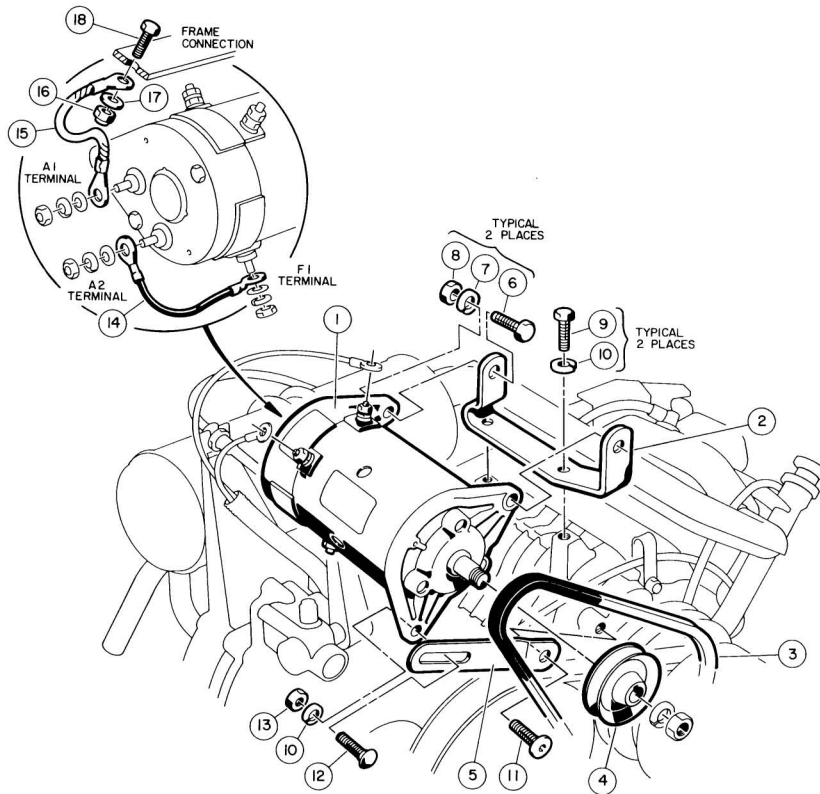
ELECTRICAL COMPONENT BOX

ELECTRICAL COMPONENT BOX

ITEM NUMBER	PART NUMBER	1 2 3 4				DESCRIPTION	UNITS PER VEHICLE
1	1015372					ELECTRICAL COMPONENT BOX COVER	1
2	1013589					RETAINING RING	1
3	1015373					CAM	1
4	1014145					BRONZE BUSHING	2
5	1014065					FLATWASHER (DELTRIN)	1
6	1015345					BELL CRANK SHAFT ASSEMBLY	1
7	1010954					1/4 BALL STUD	1
8	8717					1/4-28 NYLON LOCK NUT	1
9	8057					#4-40 UNC HEX NUT	4
10	8058					#4 LOCKWASHER	2
11	1014807					LIMIT SWITCH	1
12	1014808					LIMIT SWITCH	1
13	1012431					#4 FLATWASHER	2
14	1015767					WIRE ASSEMBLY	1
15	1015766					WIRE ASSEMBLY	1
16	1015878					#4-40 UNC X 1.62 SCREW	2
17	1242					5/16-18 UNC HEX NUT	2
18	7893					#10-32 UNF HEX NUT	2
19	1013609					12 VOLT SOLENOID	1
20	1015752					#12-16 X .5 HILO SCREW	4
21	1015371					ELECTRICAL COMPONENT BOX	1
22	1012295					FUSE 10 AMP	1
23	1015737					WIRE ASSEMBLY	1
24	1015741					FUSE BLOCK	1
25	8233					1/4-20 NYLON LOCK NUT	2
26	1015777					VOLTAGE REGULATOR ASSEMBLY	1
27	1015343					GROUND STRAP	1
28	1015405					5/16-18 X 2.00 ROUND HEAD SQUARE NECK SCREW	1
29	1015919					1/4-20 JAM NUT	1
30	1703					1/4-20 X 1.50 HEX SCREW (NOT SHOWN)	1
31	304					1/4-20 UNC X 1 HEX SCREW	1
32	8168					WIRE TIE WRAP (NOT SHOWN)	2
33	1703					1/4-20 X 1.50 HEX SCREW	1

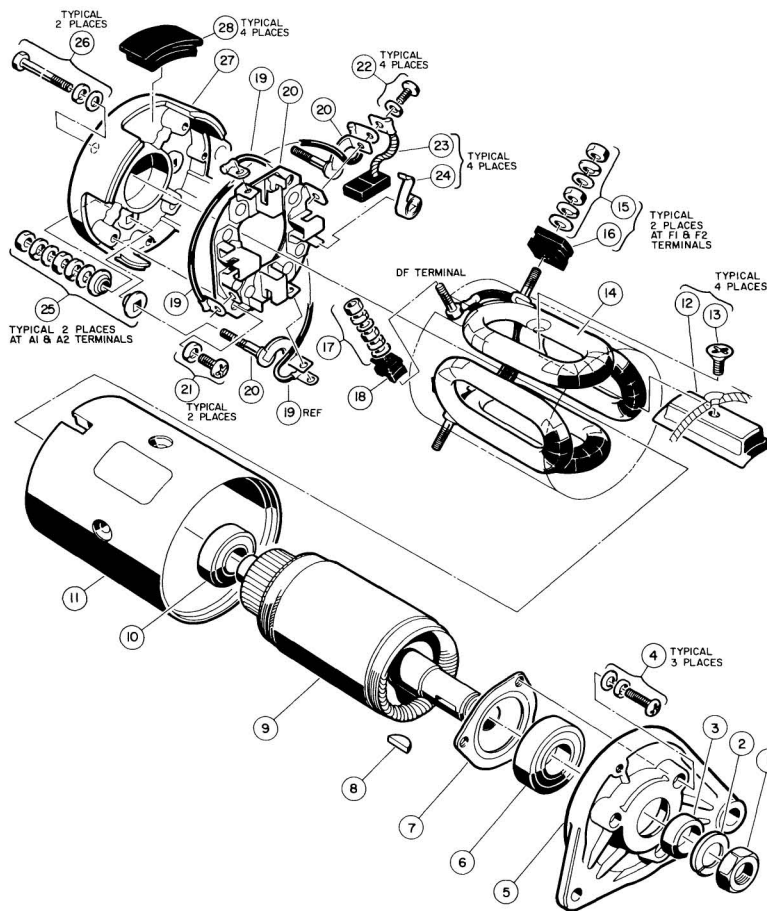
G

5



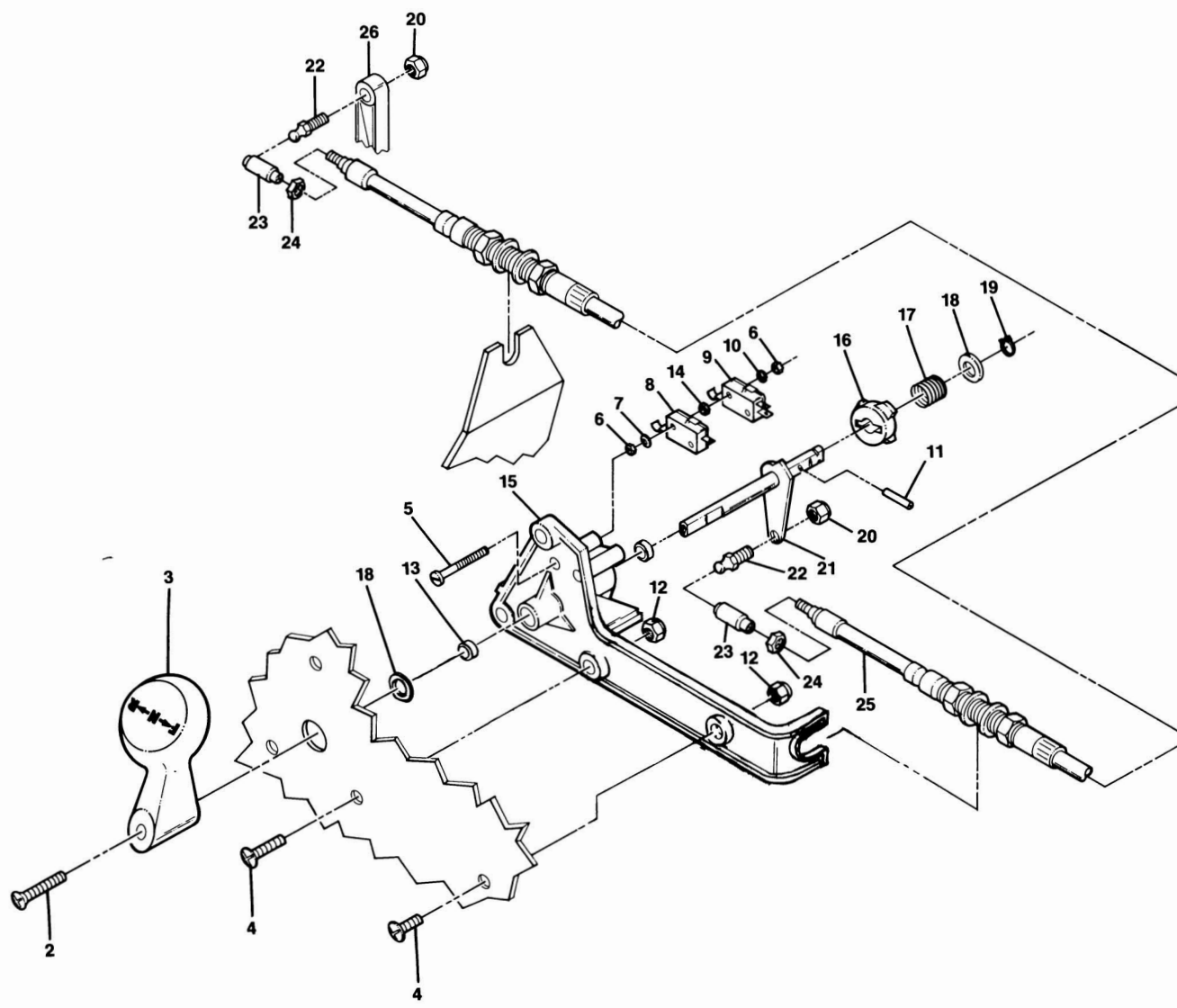
STARTER-GENERATOR MOUNTING

ITEM NUMBER	PART NUMBER	1 2 3 4				DESCRIPTION	UNITS PER VEHICLE
		1	2	3	4		
1	1012316					STARTER-GENERATOR	1
2	1015240-01					MOUNTING BRACKET	1
3	1015241					BELT	1
4	1014289					PULLEY	1
5	1012335					ADJUSTING BRACKET	1
6	705					HEX HEAD SCREW, 3/8-16 X 1-1/4	2
7	357					LOCKWASHER, 3/8" DIAMETER	2
8	706					HEX NUT, 3/8-16	2
9	1015331					HEX HEAD SCREW, M8-1.25 X 25MM	2
10	7174					LOCKWASHER, 5/16" DIAMETER	2
11	1016074					TORX HEAD SCREW, M8-1.25 X 18MM	1
12	1015932					ROUND HEAD SQUARE NECK BOLT, 5/16-18 X 1	1
13	1242					HEX NUT, 5/16-18	1
14	1012384					#6 BLACK WIRE ASSEMBLY	1
15	1015920					GROUND WIRE	1
16	7473					NYLON LOCK NUT, 5/16-18	1
17	1241					FLATWASHER, 5/16" DIAMETER	1
18	7173					HEX HEAD CAP SCREW, 5/16-18 X 3/4	1



STARTER-GENERATOR ASSEMBLY

ITEM NUMBER	PART NUMBER	DESCRIPTION	UNITS PER VEHICLE
1	NO #	HEX NUT, M14 X 1.5	1
2	NO #	LOCKWASHER, M14	1
3	1013000	SPACER	1
4	NO #	CROSS-RECESSED SCREW, M5 X 18 WITH LOCKWASHERS AND FLATWASHERS	3
5	1012999	OUTPUT SHAFT END BELL	1
6	1013001	DOUBLE SEALED BALL BEARING	1
7	1013002	BEARING RETAINER	1
8	1013003	KEY	1
9	1013004	ARMATURE ASSEMBLY INCLUDES ITEMS 3, 6, 7, 10 AND ARMATURE	1
10	1013005	DOUBLE SEALED BALL BEARING	1
11	1013006	FRAME ASSEMBLY INCLUDES ITEMS 12 THRU 18 AND FRAME	1
12	NO #	POLE PIECE	4
13	1013009	POLE PIECE SCREW	4
14	1013010	FIELD COIL ASSEMBLY	1
15	1013007	TERMINAL HARDWARE KIT INCLUDES NUTS, LOCKWASHERS AND FLATWASHERS	2
16	NO #	INSULATOR	2
17	1013017	TERMINAL HARDWARE KIT INCLUDES NUTS, LOCKWASHERS AND FLATWASHERS	1
18	NO #	INSULATOR	2
19	1013013	CROSSOVER LEAD	2
20	1013011	BRUSH HOLDER	1
21	NO #	SCREW, M5 X 16 WITH LOCKWASHER	2
22	1013014	SCREW, M4 X 10 WITH LOCKWASHER	4
23	1014699	BRUSH PACKAGE INCLUDES 4 BRUSHES	1
24	1013016	BRUSH SPRING	4
25	1012990	TERMINAL HARDWARE KIT INCLUDES NUTS, LOCKWASHERS, FLATWASHERS AND INSULATORS	2
26	1012992	CLAMP BOLT, 6 X 180	2
27	1012993	COMMUTATOR END BELL	1
28	1012991	BRUSH INSPECTION PORT COVER	4



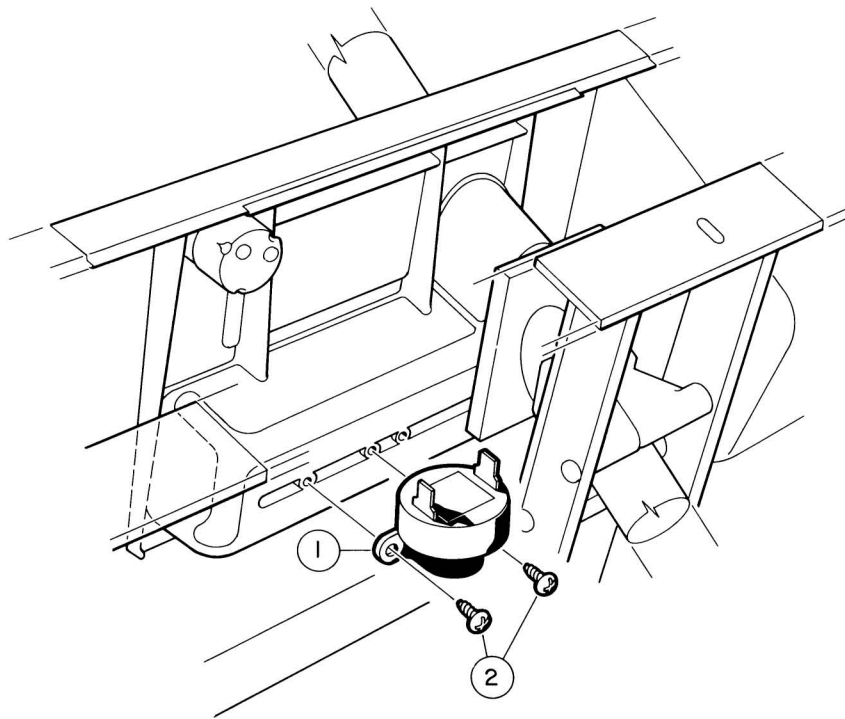
F&R SHIFTER ASSEMBLY

F&R SHIFTER ASSEMBLY

G

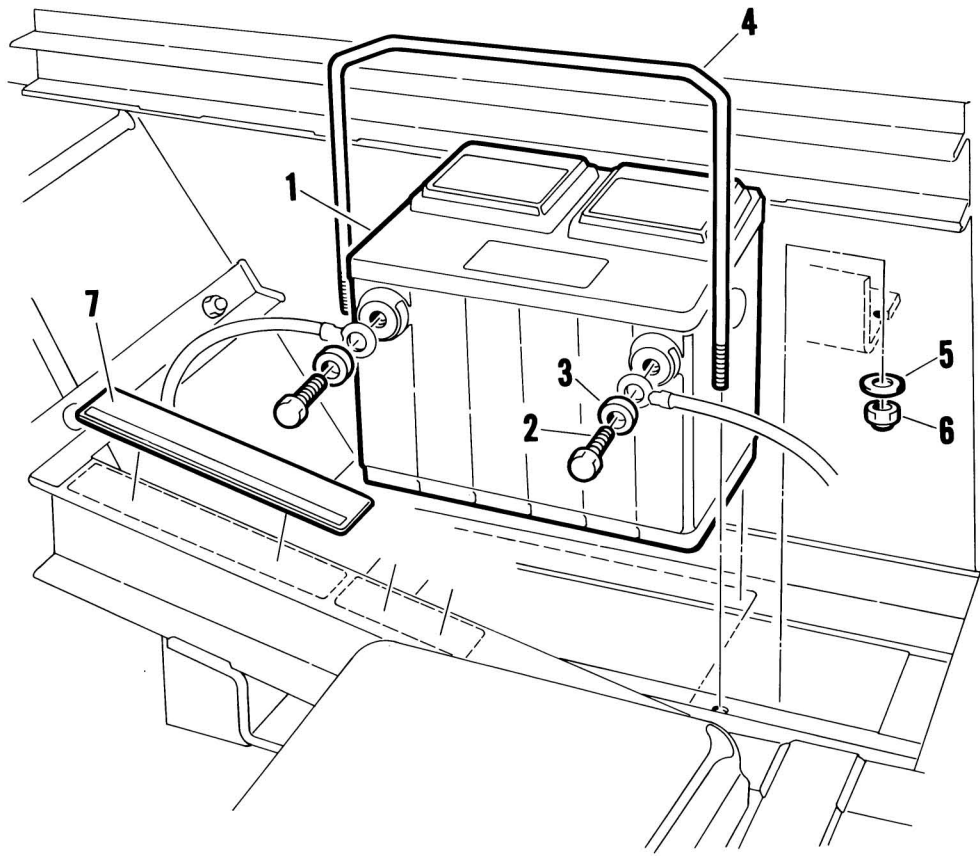
ITEM NUMBER	PART NUMBER	1 2 3 4				DESCRIPTION	UNITS PER VEHICLE
1	1016947					F&R SHIFTER ASSEMBLY INCLUDES ITEMS 5 THRU 22, 27 AND 28	1
2	1013198					#8-32 PHILLIPS MACHINE SCREW	1
3	1012987					F&R HANDLE	1
4	8248					SCREW, 1/4-20 X 3/4" PHILLIPS HEAD	1
5	1012594					SCREW, #4-40 X 1.00" MACHINE	2
6	8057					NUT, #4-40 UNC HEX	6
7	1012431					FLATWASHER, #4	2
8	1014808					LIMIT SWITCH	1
9	1014807					LIMIT SWITCH	1
10	8058					LOCKWASHER, #4	2
11	1013591					1/8" ROLL PIN	1
12	8233					LOCKNUT, 1/4-20 NYLON	4
13	1014145					BUSHING	2
14	1014727					#4 FLATWASHER (NYLON)	2
15	1016342					F&R SHIFTER BASE	1
16	1014089					NEUTRAL LOCK-OUT CAM KIT INCLUDES ITEM 18	1
17	1013590					SPRING — F&R CAM	1
18	1014065					FLATWASHER-DELRIN	1
19	1013589					RETAINING RING	1
20	8717					LOCKNUT, 1/4-28 NYLON	2
21	1013587					F&R BELL CRANK WELDMENT	1
22	1010954					BALL STUD, 1/4-28 UNF X .25	2
23	1012333					BALL JOINT	2
24	7893					NUT, #10-32 UNF HEX	2
25	1013085					TRANSMISSION SHIFT CABLE INCLUDES ITEMS 23 AND 24	1
26	1016341					TRANSMISSION SHIFT LEVER	1

5



REVERSE BUZZER

ITEM NUMBER	PART NUMBER	1 2 3 4	DESCRIPTION	UNITS PER VEHICLE
1	1016851		REVERSE BUZZER	1
2	1016849		#4-24 X .330 SCREW PAN HEAD HI-LO	2
3	1016857		WIRE ASSEMBLY (BLACK) (NOT SHOWN)	1

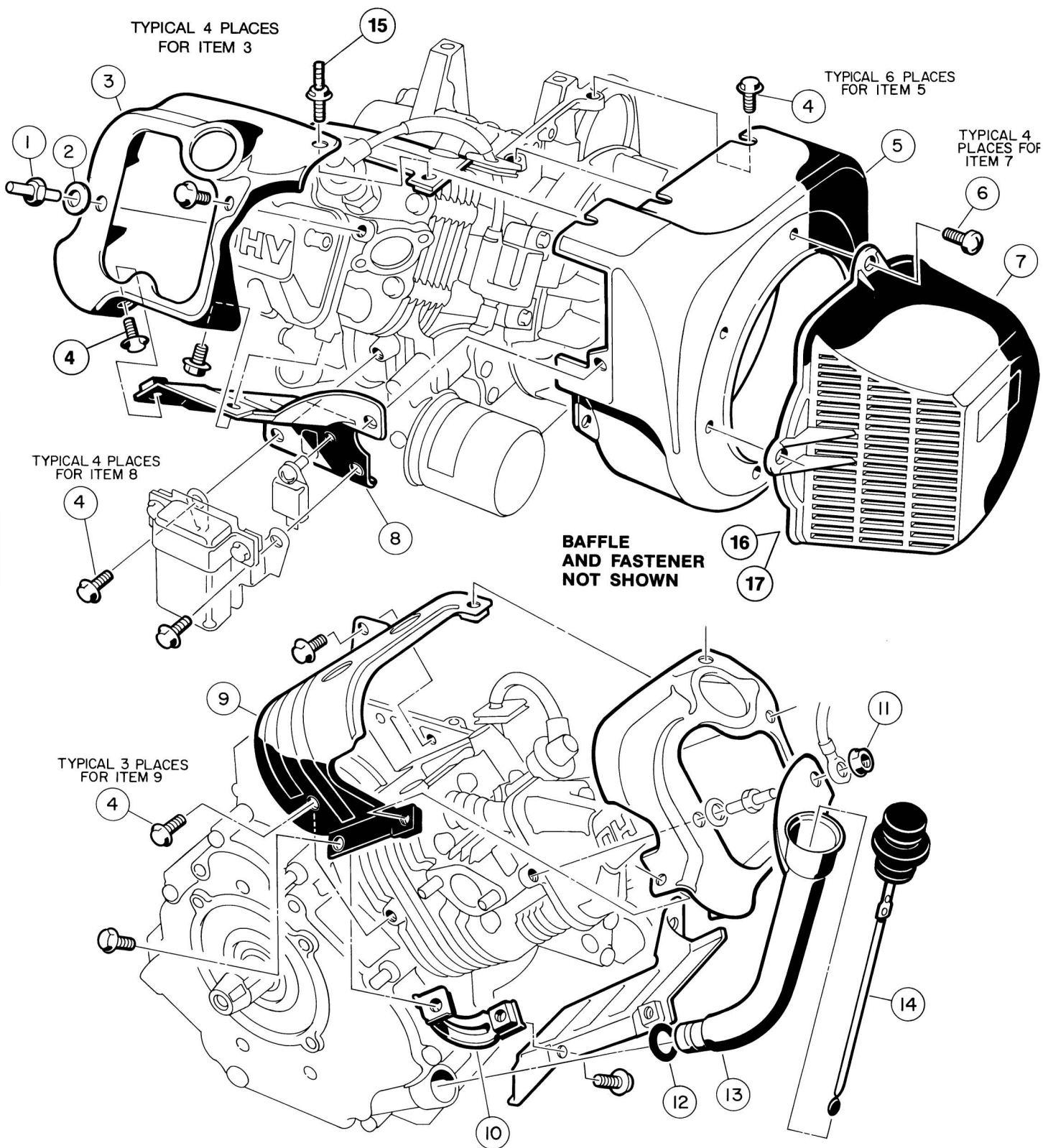


BATTERY

ITEM NUMBER	PART NUMBER	DESCRIPTION	UNITS PER VEHICLE
1	1012328	12 VOLT BATTERY	1
2	1014375	HEX HEAD BOLT, SS, 3/8-16 X 1/2	2
3	1014374	SPACER	2
4	1013882	BATTERY HOLD DOWN	1
5	1011931	WIDE FLATWASHER, 1/4" DIAMETER	2
6	8233	NYLON LOCKNUT, 1/4-20	2
7	1015474	FRAME GROUND DECAL	1

Section 6

ENGINE



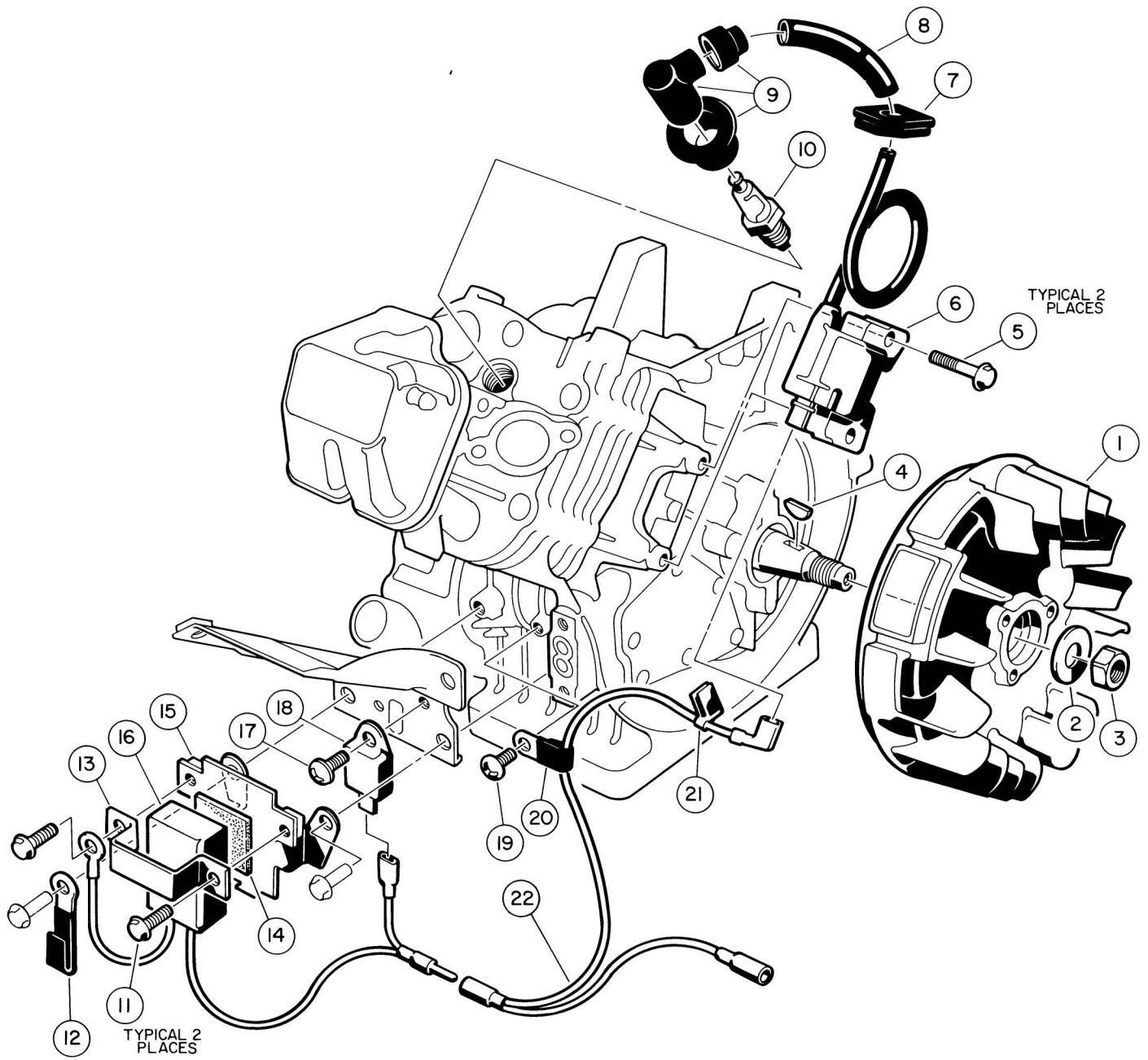
ENGINE

ENGINE

G

ITEM NUMBER	PART NUMBER	DESCRIPTION	UNITS PER VEHICLE
		1 2 3 4	
	1015731	ENGINE — COMPLETE	
1	1016507	BOLT, 2-ENDED, M6 X 1	1
2	1016512	PLAIN WASHER, 6MM DIAMETER	1
3	1016524	ENGINE SHROUD	1
4	1016456	FLANGED BOLT, M6 X 1 X 12MM LONG	17
5	1016534	FAN HOUSING	1
6	1015969	PAN HEAD SCREW, M6 X 1 X 14MM LONG	4
7	1015649	FAN SHROUD	1
8	1016526	ENGINE SHROUD	1
9	1016525	ENGINE SHROUD	1
10	1016443	BRACKET	1
11	1016547	NUT, M6 X 1	1
12	1016539	O-RING	1
13	1016536	FILLER	1
14	1016531	GAUGE	1
15	1017221	BOLT, 2-ENDED	1
16	1017129	BAFFLE, FAN SHROUD (NOT SHOWN)	1
17	1010434	BARREL FASTENER (BLACK) (NOT SHOWN)	3

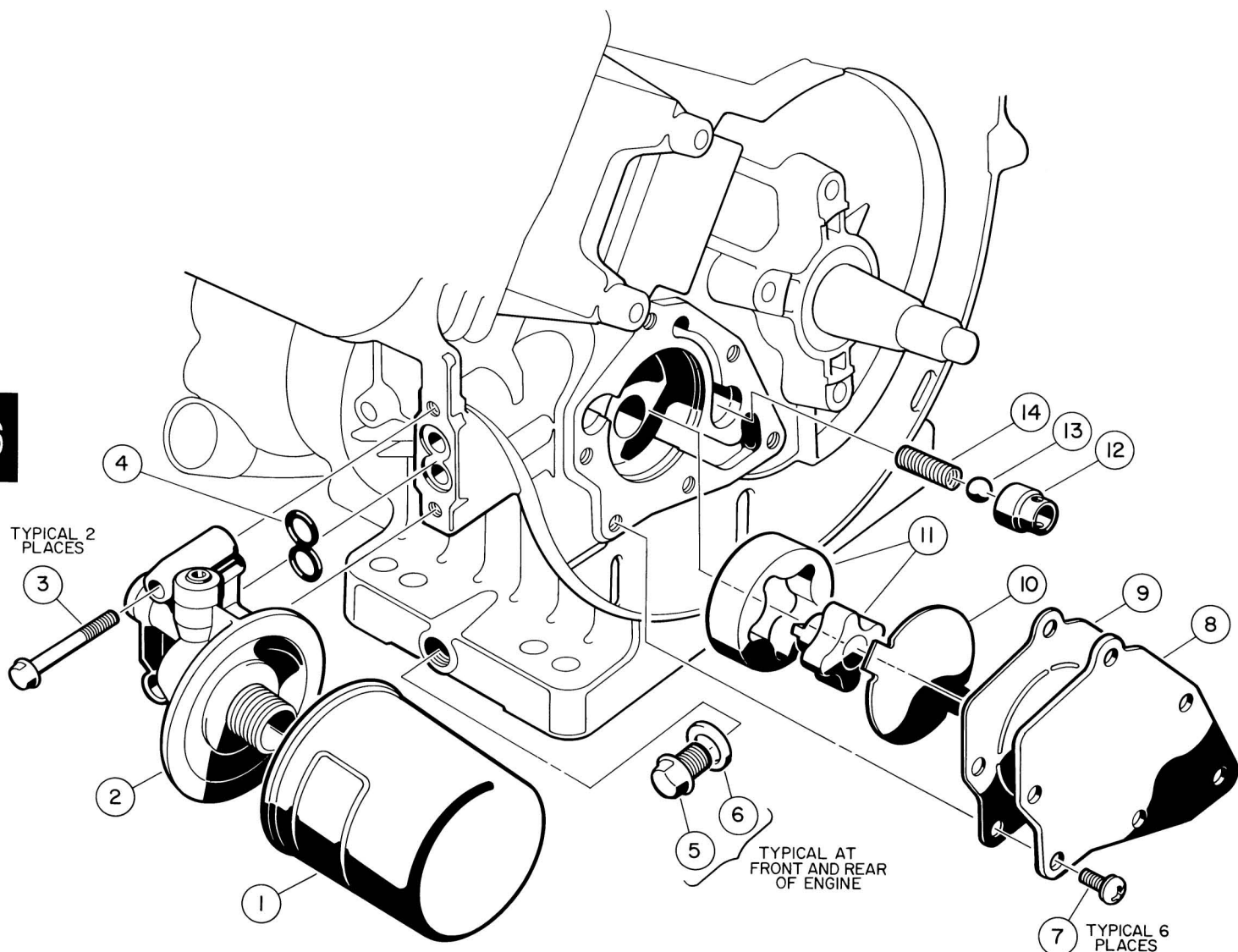
6



ENGINE

ENGINE

ITEM NUMBER	PART NUMBER	1 2 3 4				DESCRIPTION	UNITS PER VEHICLE
1	1016495					FLYWHEEL	1
2	1016548					FLATWASHER, 16MM DIAMETER	1
3	1016505					HEX NUT, M16 X 1.5	1
4	1016562					KEY	1
5	1016455					FLANGED BOLT, M5 X 0.8 X 25MM LONG	2
6	1016492					IGNITION COIL	1
7	1016578					GROMMET	1
8	1016588					TUBE	1
9	1016493					PLUG CAP ASSEMBLY	1
10	1016111					SPARK PLUG	1
11	1016456					FLANGED BOLT, M6 X 1.0 X 12MM LONG	2
12	1012978					CLAMP TUBE	1
13	1016579					BAND	1
14	1016586					DAMPER	1
15	1016445					BRACKET	1
16	1016511					RPM LIMITER	1
17	1016497					CROSS PAN HEAD SCREW, M5 X 0.8 X 8MM LONG	1
18	1016491					IGNITER	1
19	1016544					CROSS PAN HEAD SELF TAP SCREW M5 X 12MM LONG	1
20	1016561					CLAMP	1
21	1016587					CLAMP	1
22	1016503					LEAD WIRE	1



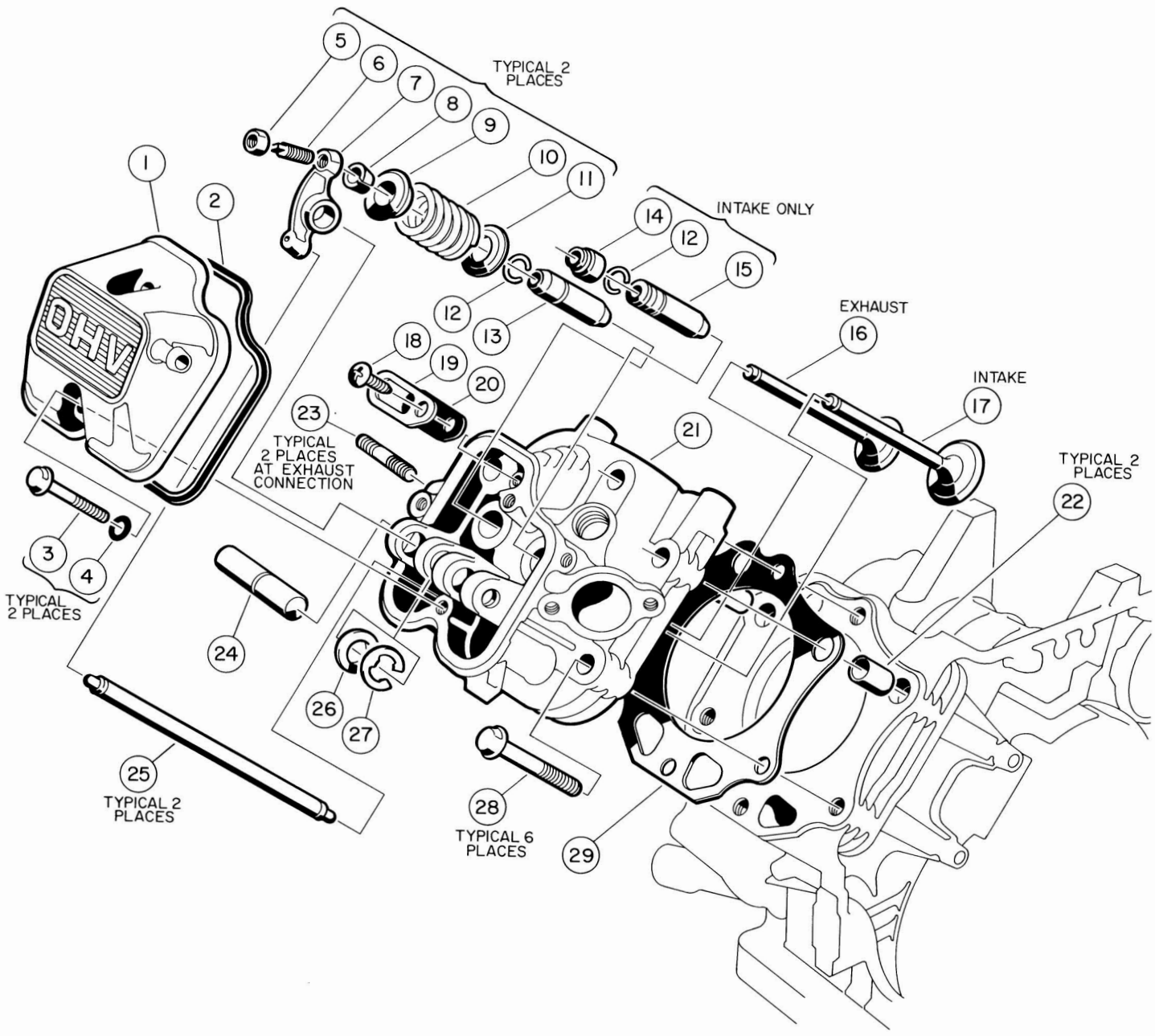
ENGINE

ENGINE

ITEM NUMBER	PART NUMBER	1 2 3 4	DESCRIPTION	UNITS PER VEHICLE
1	1016467		OIL FILTER	1
2	1016502		OIL FILTER BRACKET	1
3	1016457		FLANGED HEX HEAD BOLT, M6 X 1.0 X 40MM LONG	2
4	1016570		O-RING	1
5	1016576		DRAW PLUG	2
6	1016432		GASKET	2
7	1016498		CROSS PAN HEAD SCREW, M6 X 1.0 X 12MM LONG	6
8	1016484		PUMP COVER	1
9	1016435		OIL PUMP GASKET	1
10	1016473		OIL PUMP PLATE	1
11	1016482		PUMP ASSEMBLY — OIL	1
12	1016429		VALVE SEAT	1
13	1016537		STEEL BALL	1
14	1016581		SPRING	1

G

6



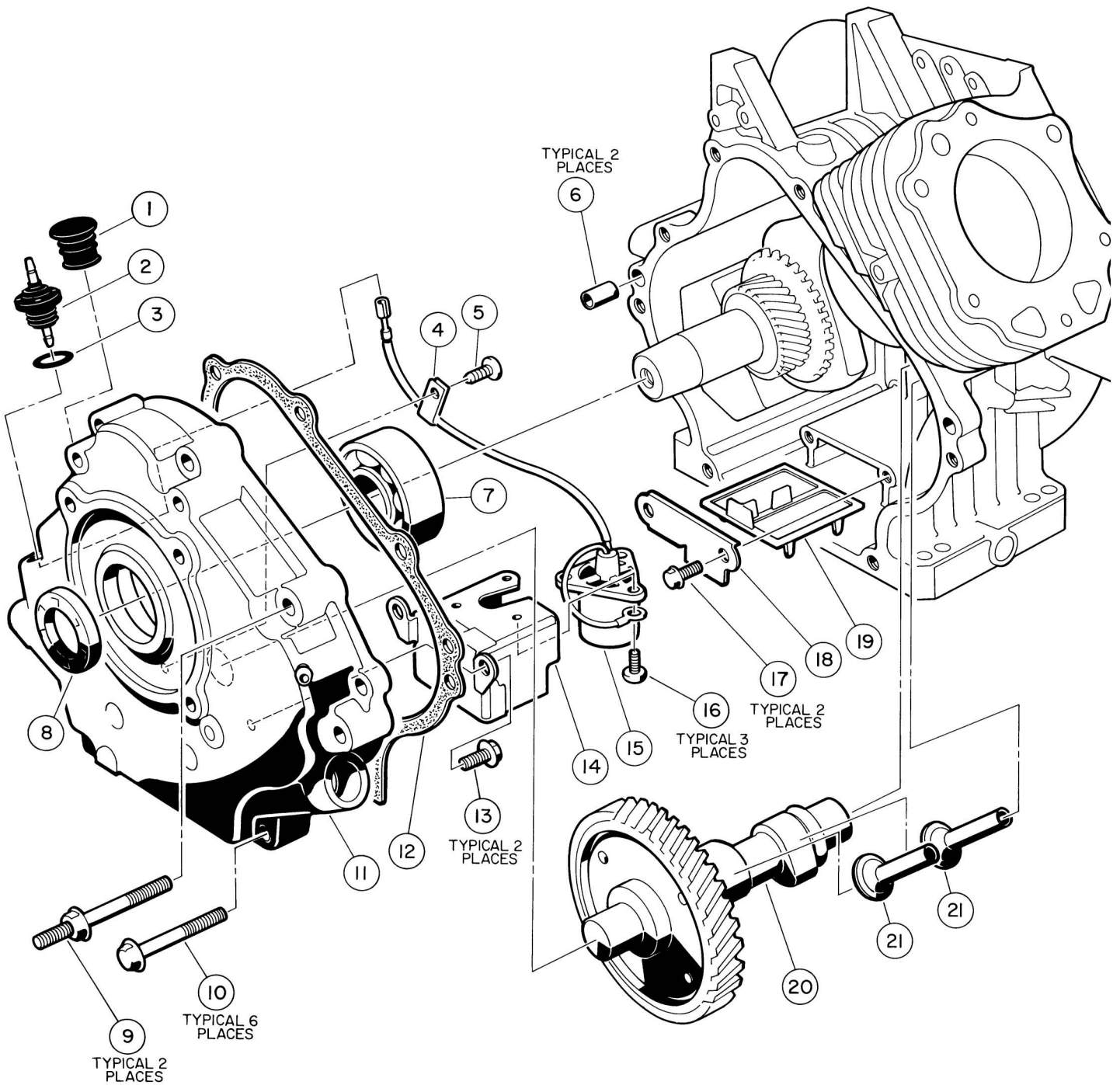
ENGINE

ENGINE

ITEM NUMBER	PART NUMBER	1 2 3 4				DESCRIPTION	UNITS PER VEHICLE
1	1016442					ROCKER CASE	1
2	1016436					ROCKER CASE GASKET	1
3	1016583					FLANGED BOLT, M6 X 1.0 X 35MM LONG	2
4	1016569					O-RING	2
5	1016542					SCREW	2
6	1016545					HEX NUT	2
7	1016451					ROCKER ARM	2
8	1016450					COLLET	2
9	1016449					VALVE SPRING RETAINER	2
10	1016523					ENGINE VALVE SPRING	2
11	1016479					SPRING SEAT	2
12	1016560					SNAP RING	2
13	1016518					VALVE GUIDE (EXHAUST)	2
14	1016566					OIL SEAL	1
15	1016519					VALVE GUIDE (INTAKE)	1
16	1016448					EXHAUST VALVE	1
17	1016447					INTAKE VALVE	1
18	1016544					SCREW	1
19	1016474					PLATE	1
20	1016483					VALVE	1
21	1016431					CYLINDER HEAD	1
						INCLUDES ITEMS 12, 13 AND 15	1
22	1016563					PIN	2
23	1016489					STUD BOLT	2
24	1016452					ROCKER SHAFT	1
25	1016471					PUSH ROD	2
26	1016549					WASHER	1
27	1016517					TYPE-E CIRCLIP	1
28	1016458					FLANGED BOLT, M8 X 1.25 X 45MM LONG	6
29	1016430					HEAD GASKET	1

G

6



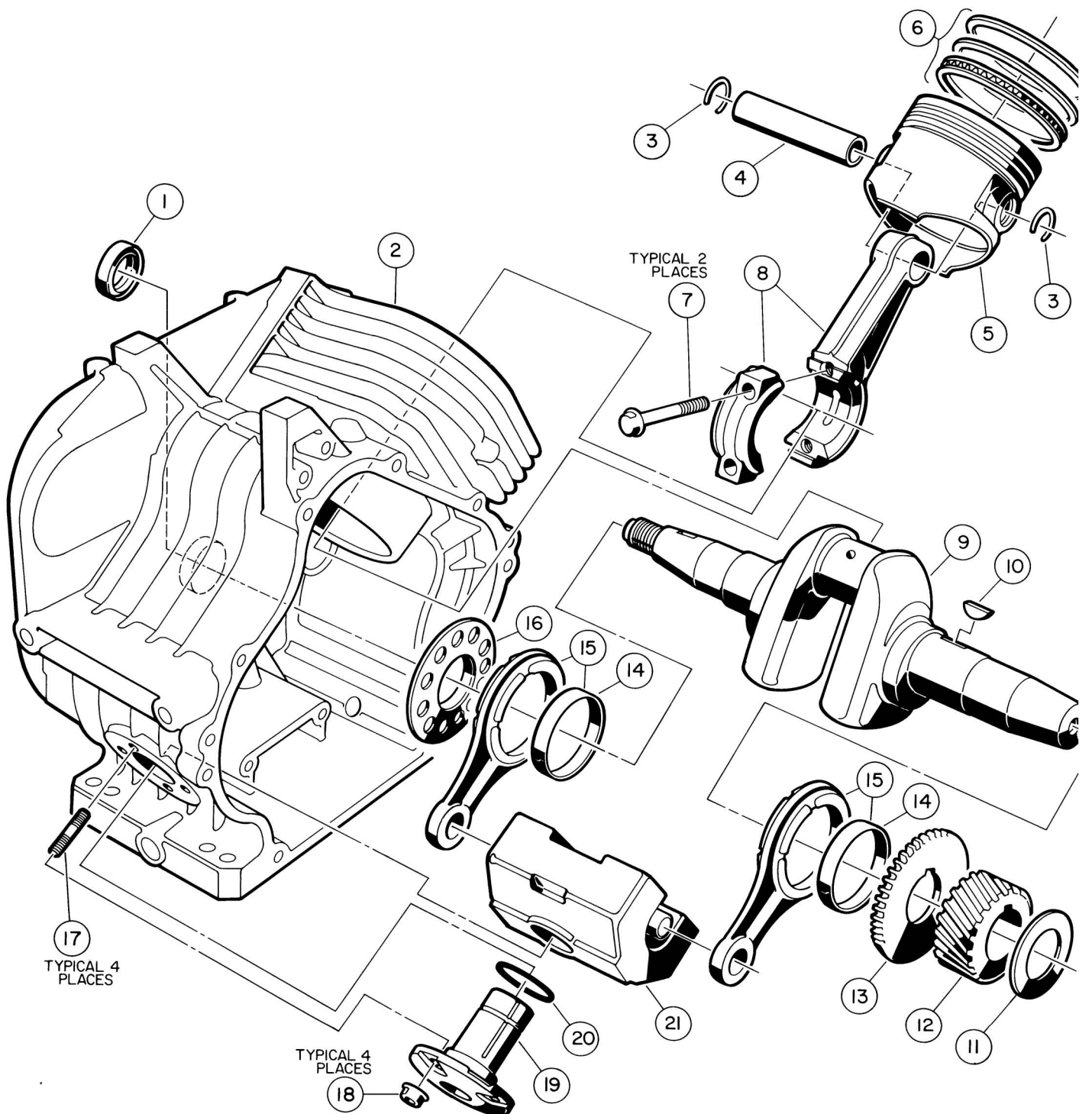
ENGINE

ENGINE

G

ITEM NUMBER	PART NUMBER	DESCRIPTION	UNITS PER VEHICLE
		1 2 3 4	
1	1016596	PLUG	1
2	1016535	CORD CONNECTOR	1
3	1016538	O-RING	1
4	1016506	CLAMP	1
5	1016544	CROSS PAN HEAD SELF TAPPING SCREW, 5MM DIAMETER X 12MM LONG	1
6	1016564	PIN	2
7	1016565	BALL BEARING	1
8	1016567	OIL SEAL	1
9	1016584	FLANGED 2-ENDED BOLT, M8 X 1.25	2
10	1016458	FLANGED BOLT, M8 X 1.25	6
11	1016520	CRANKCASE COVER	1
12	1016446	CRANKCASE COVER GASKET	1
13	1016456	FLANGED BOLT, M5 X 1.0 X 12MM LONG	2
14	1016510	SWITCH BRACKET	1
15	1016494	SENSOR	1
16	1016496	CROSS PAN HEAD SCREW, M4 X 0.7 X 8MM LONG	3
17	1016454	FLANGED BOLT, M5 X 0.8 X 8MM LONG	2
18	1016472	OIL FILTER PLATE	1
19	1016521	OIL FILTER	1
20	1016528	CAMSHAFT	1
21	1016453	TAPPET	2

6



ENGINE

ENGINE

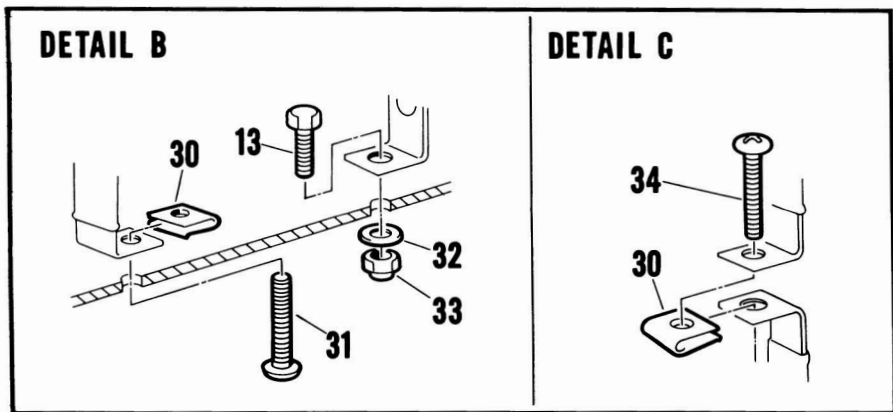
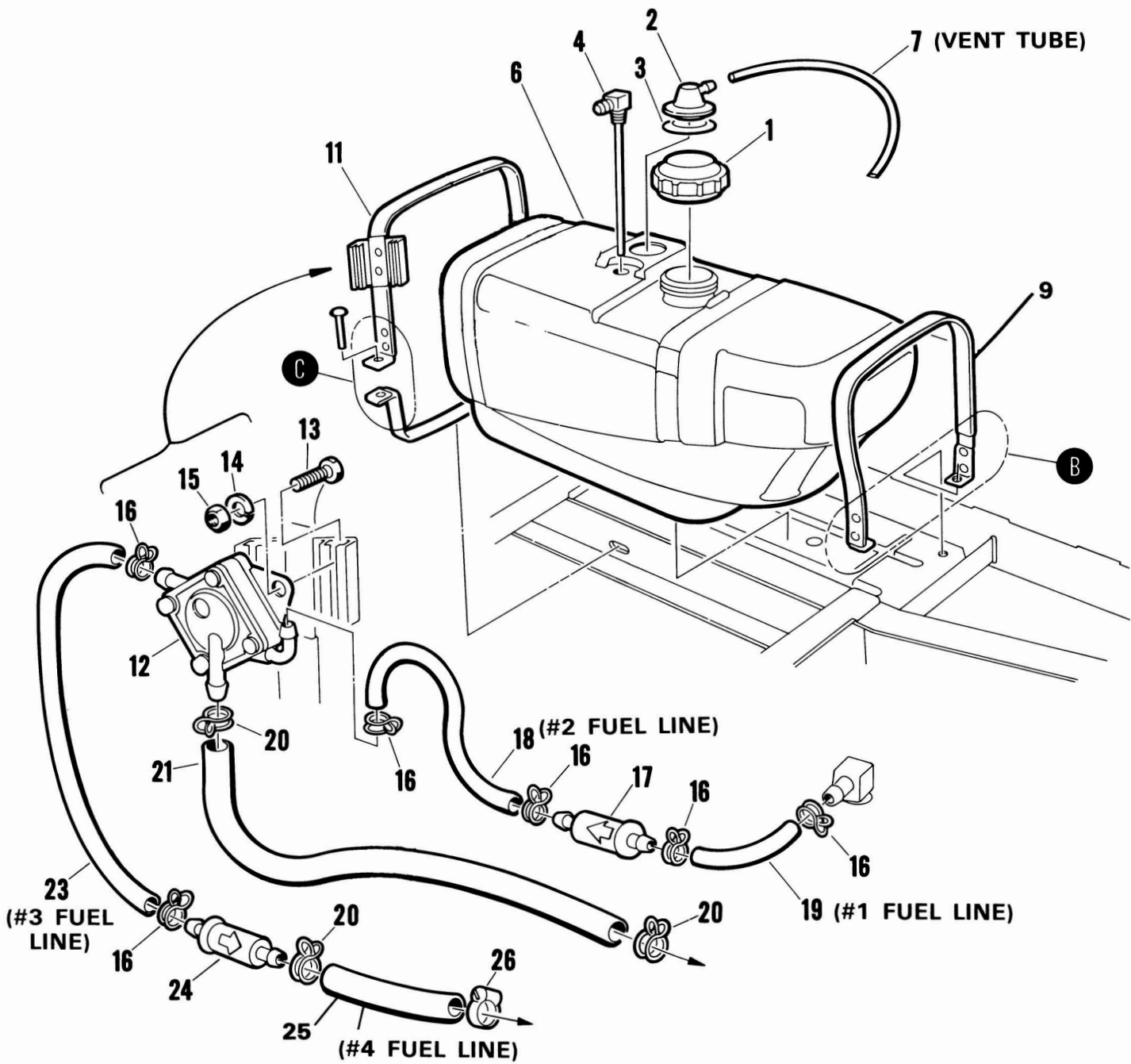
G

ITEM NUMBER	PART NUMBER	1	2	3	4	DESCRIPTION	UNITS PER VEHICLE
1	1016568					OIL SEAL	1
2	1016529					CRANKCASE	1
3	1016558					SNAP RING	2
4	1016460					PISTON PIN	1
5	1016459-01					PISTON — STANDARD	1
5	1016459-02					PISTON — .25MM OVERSIZE	1
5	1016459-03					PISTON — .50MM OVERSIZE	1
5	1016459-04					PISTON — .75MM OVERSIZE	1
6	1016461-01					PISTON RING — STANDARD	1
6	1016461-02					PISTON RING — .25MM OVERSIZE	1
6	1016461-03					PISTON RING — .50MM OVERSIZE	1
6	1016461-04					PISTON RING — .75MM OVERSIZE	1
7	1016509					BOLT	2
8	1016475-01					CONNECTING ROD ASSEMBLY — STANDARD INCLUDES 2 EACH ITEM 7	1
8	1016475-02					CONNECTING ROD ASSEMBLY — .50MM UNDERSIZE INCLUDES 2 EACH ITEM 7	1
9	1016468					CRANKSHAFT INCLUDES 1 EACH ITEMS 10, 12, 13 AND 15	1
10	1016562					KEY	1
11	1016550					SHIM	1
12	1016533					HELICAL GEAR	1
13	1016532					SPUR GEAR	1
14	1016580					PLAIN BEARING	2
15	1016516					CONNECTING ROD ASSEMBLY INCLUDES ITEM 14	2
16	1016559					SPACER	1
17	1016541					STUD M6 X 1.0	4
18	1016547					FLANGED NUT M6 X 1.0	4
19	1016420					SHAFT	1
20	1016571					O-RING	1
21	1016469					WEIGHT	1

6

Section 7

FUEL, INTAKE AND GOVERNOR SYSTEM



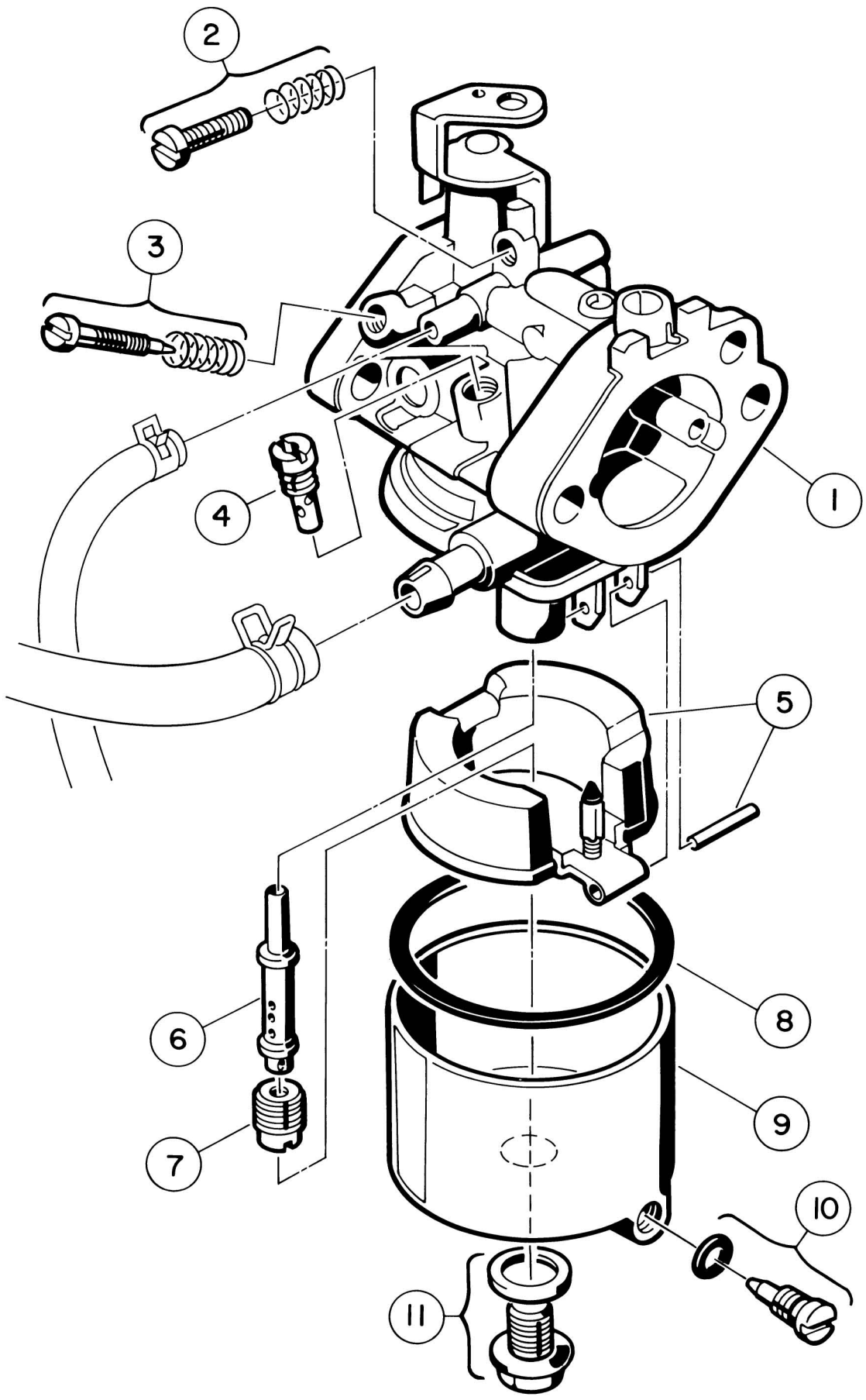
FUEL SYSTEM ASSEMBLY

FUEL SYSTEM ASSEMBLY

ITEM NUMBER	PART NUMBER	1 2 3 4	DESCRIPTION	UNITS PER VEHICLE
1	1015188		FUEL TANK CAP	1
2	1015143		FUEL TANK VENT	1
3	1015139		INSULATION GROMMET	1
4	1012619		FUEL PICK-UP TUBE	1
5	1015921		WIRE ASSEMBLY #16 BLACK	1
6	1016003		FUEL TANK ASSEMBLY	1
7	NO #		INCLUDES ITEMS 1 THRU 3 AND ITEM 7 VENT FUEL LINE, 17" SEE ITEM 37	1
9	1014928		REAR FUEL STRAP ASSEMBLY	1
11	1014927		FRONT FUEL STRAP ASSEMBLY	1
12	1014523		FUEL PUMP	1
12A	1014524		FUEL PUMP REBUILD KIT	A/R
13	7847		HEX HEAD BOLT, 1/4-20 X 3/4	3
14	451		LOCKWASHER, HEL SP, 1/4" DIAMETER	2
15	1028		HEX NUT, 1/4-20	2
16	1013134		HOSE CLAMP (RED)	6
17	1013684		PRIMARY FUEL FILTER (WHITE)	1
18	NO #		FUEL LINE, 6" SEE ITEM 35	1
19	NO #		FUEL LINE, 2" SEE ITEM 35	1
20	1012649		HOSE CLAMP	3
21	NO #		IMPULSE LINE, 19-1/4" SEE ITEM 36	1
22	8639		TIE WRAP (IF USED)	1
23	NO #		FUEL LINE, 22" SEE ITEM 35	1
24	1014522		SECONDARY FUEL FILTER (BLUE)	1
25	NO #		FUEL LINE, 2-1/4" SEE ITEM 36	1
26	1013687		HOSE CLAMP, 3/8" DIAMETER	1
30	1014116		SPEED NUT, U-TYPE, 1/4-20	2
31	1013176		PH TR HEAD SCREW, 1/4-20 X 2-1/2	1
32	332		FLATWASHER, 1/4" DIAMETER	1
33	8233		NYLON LOCKNUT, 1/4-20	1
34	1011988		PH TR HEAD SCREW, 1/4-20 X 2	1
35	1012293		FUEL LINE BULK	A/R
36	1013692		FUEL LINE BULK	A/R
37	1015137		FUEL LINE BULK	A/R

G

7



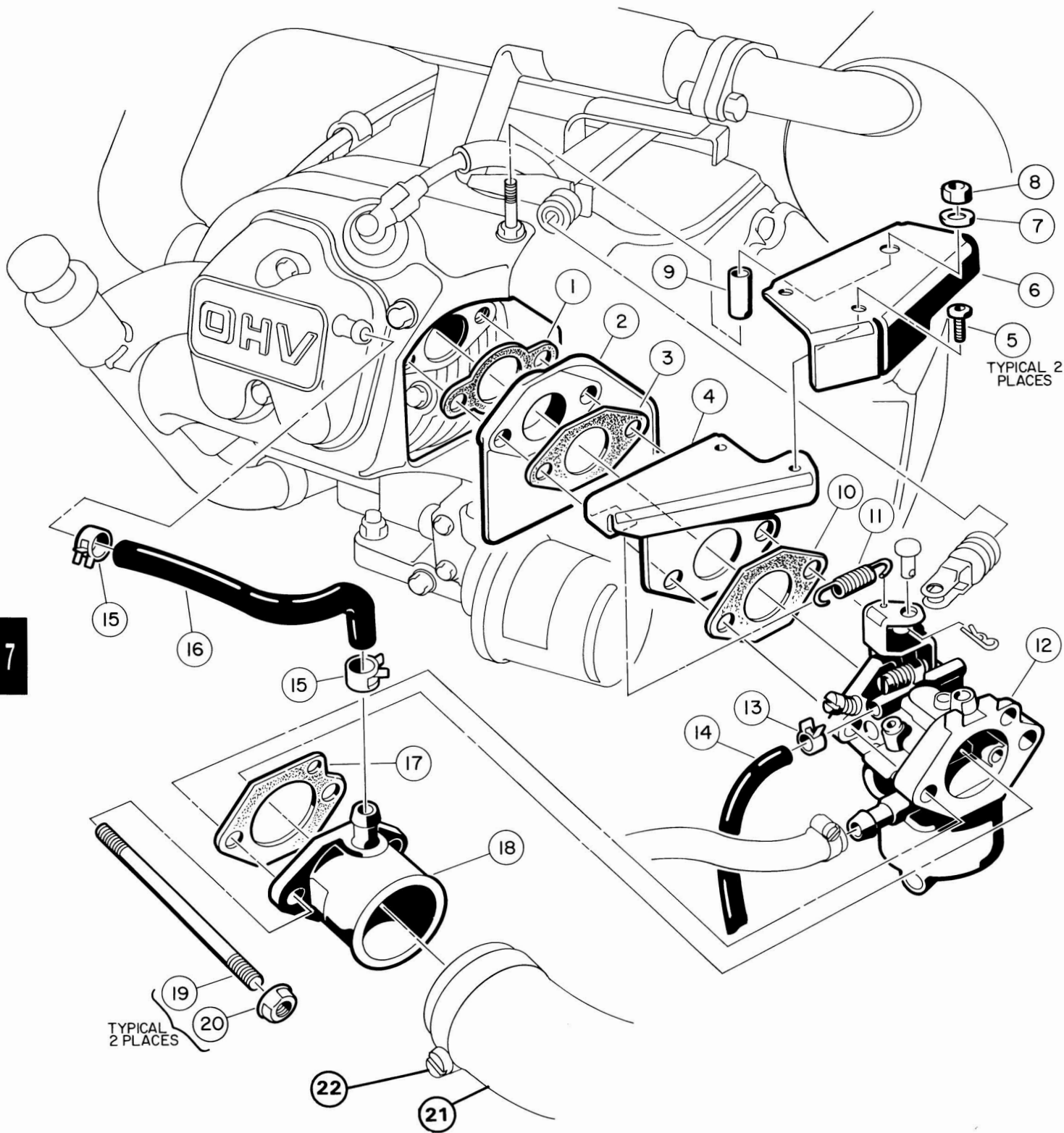
CARBURETOR ASSEMBLY

CARBURETOR ASSEMBLY

G

ITEM NUMBER	PART NUMBER	1 2 3 4	DESCRIPTION	UNITS PER VEHICLE
1	1016478		CARBURETOR ASSEMBLY INCLUDES ITEMS 2 THRU 11 AND CARBURETOR BODY WITH THROTTLE VALVE	1
2	1016501		SCREW ASSEMBLY	1
3	1016500		SCREW ASSEMBLY	1
4	1016574		PILOT JET, #45	1
5	1016486		FLOAT ASSEMBLY	1
6	1016530		MAIN NOZZLE	1
7	1016425-70		MAIN JET	1
7	1016425-72		MAIN JET	1
7	1016425-75		MAIN JET	1
7	1016425-78		MAIN JET	1
7	1016425-80		MAIN JET	1
8	1016437		GASKET	1
9	1016487		FLOAT CHAMBER ASSEMBLY INCLUDES ITEM 10 AND FLOAT CHAMBER	1
10	1016499		SCREW ASSEMBLY	1
11	1016585		BOLT	1

7



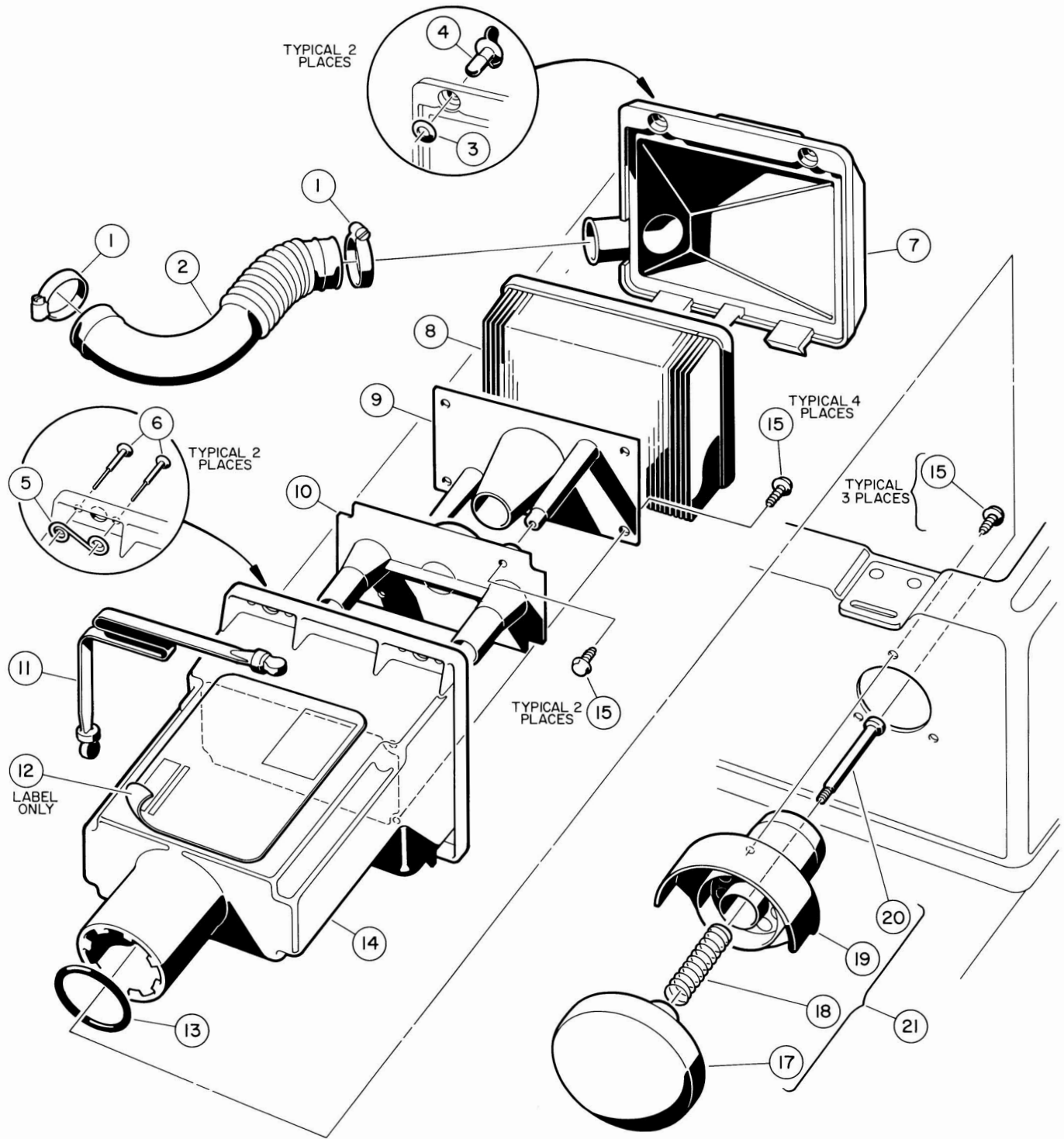
GOVERNOR GUARD AND INTAKE HOSE

GOVERNOR GUARD AND INTAKE HOSE

ITEM NUMBER	PART NUMBER	DESCRIPTION				UNITS PER VEHICLE
		1	2	3	4	
1	1016440					1
2	1016481					1
3	1016439					1
4	1016444					1
5	1016103					2
6	1016102					1
7	451					1
8	1011114					1
9	1016848					1
10	1016441					1
11	1016582					1
12	1016478					1
13	1013746					1
14	1015877-01					1
15	1013746					2
16	1016572					1
17	1016438					1
18	1016480					1
19	1016490					2
20	1016547					2
21	1016228					1
22	1015430					2

G

7



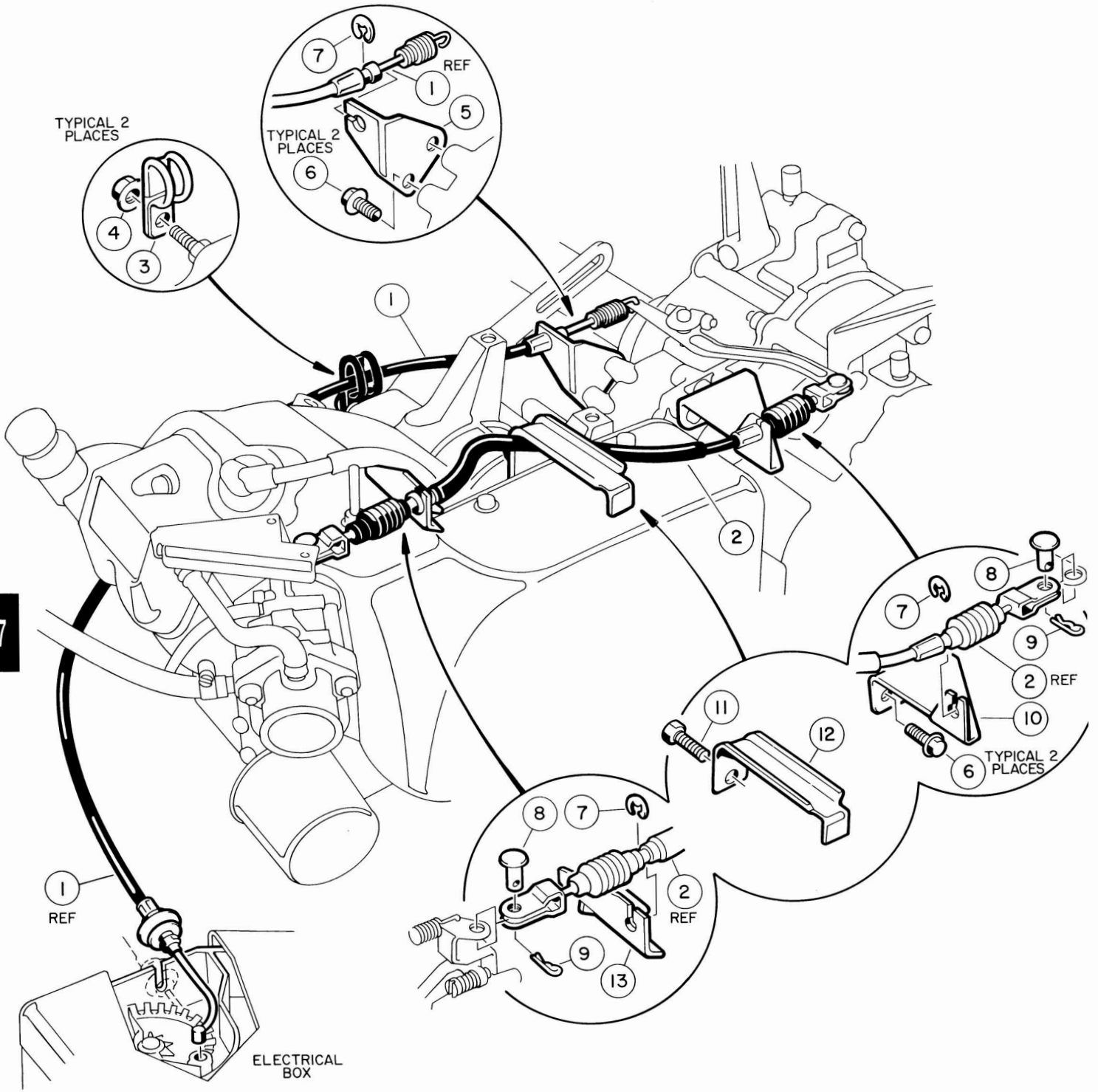
EXPANSION CHAMBER, CHOKE AND FILTER

EXPANSION CHAMBER, CHOKE AND FILTER

ITEM NUMBER	PART NUMBER	1 2 3 4	DESCRIPTION	UNITS PER VEHICLE
1	1015430		HOSE CLAMP	2
2	1016228		INTAKE HOSE	1
3	1015291		FASTENER GROMMET	2
4	1015290		WING HEAD STUD	2
5	1015292		FASTENER SPRING	2
6	1015727		POP RIVET	4
7	1015293		EXPANSION CHAMBER COVER	1
8	1015426		AIR FILTER ELEMENT	1
9	1015542		SECONDARY AIR BOX BAFFLE	1
10	1015541		PRIMARY AIR BOX BAFFLE	1
11	1015577		RETENSION STRAP	1
12	1016062		SERVICE DECAL	1
13	1015425		O-RING	1
14	1015540		EXPANSION CHAMBER	1
15	1015289		HI-LO SCREW, #10 X 5/8 LONG	9
17	1012629		CHOKE COVER	1
18	1012633		CHOKE SPRING	1
19	1015485		CHOKE BASE	1
20	1012634		SHOULDER SCREW	1
21	1015745		CHOKE ASSEMBLY	1
			INCLUDES ITEMS 17 THRU 20	

G

7



GOVERNOR AND ACCELERATOR CABLES

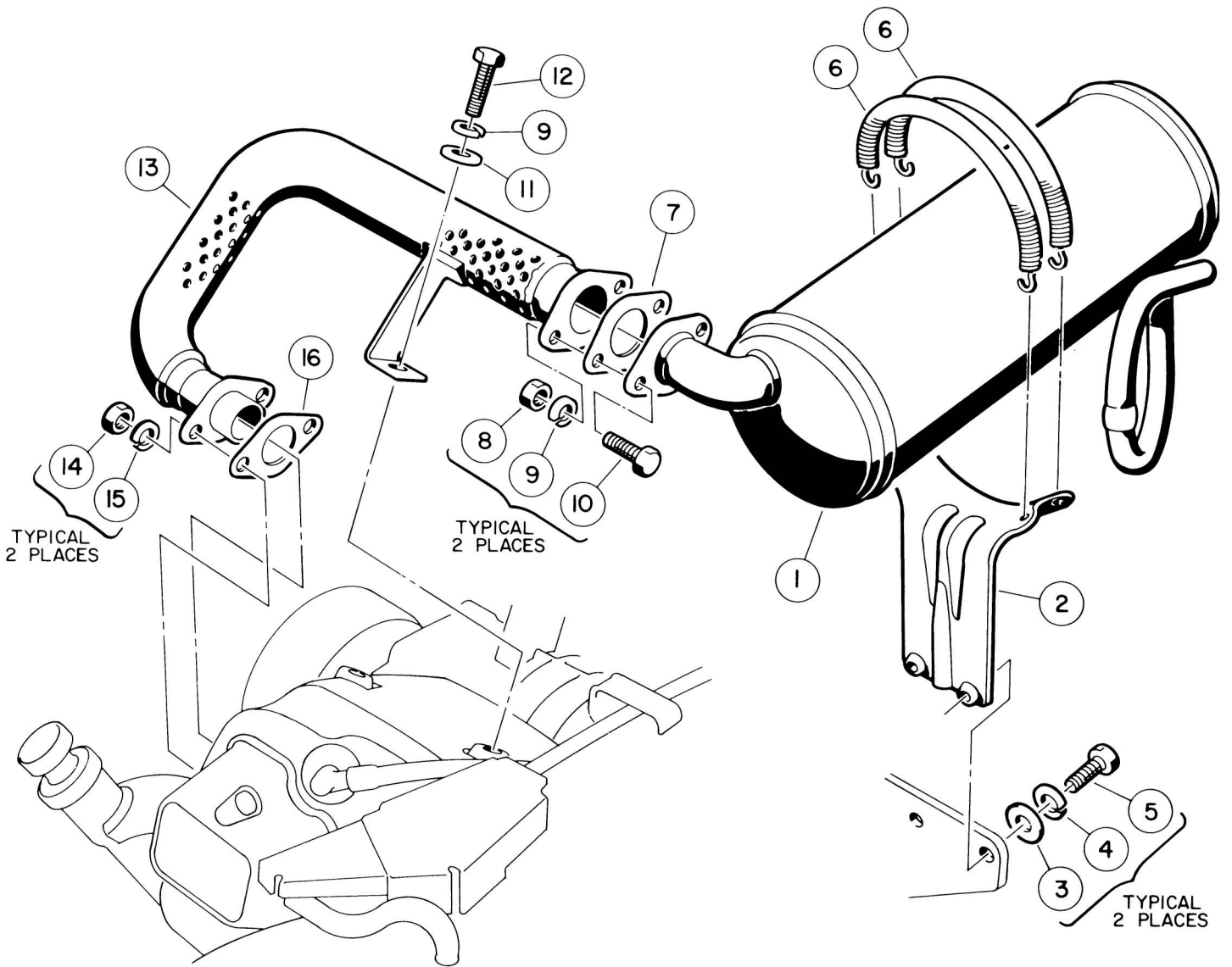
GOVERNOR AND ACCELERATOR CABLES

ITEM NUMBER	PART NUMBER	DESCRIPTION	UNITS PER VEHICLE
1	1015225	ACCELERATOR CABLE	1
2	1015226	GOVERNOR CABLE	1
3	1013700	CLAMP — HOSE RETAINING	2
4	1016546	NUT	2
5	1015410	ACCELERATOR SUPPORT BRACKET	1
6	1015746	SCREW, 1/4-20 X 5/8" LONG THREAD FORMING	4
7	1016202	"E"-CLIP	3
8	1015408	CLEVIS PIN	2
9	1014413	HAIR SPRING COTTER — 1/8" I.D. X 5/8" LONG	2
10	1015411	SUPPORT BRACKET	1
11	1016456	FLANGED BOLT	1
12	1016057	THROTTLE CABLE CLAMP	1
13	1015845	GOVERNOR CABLE BRACKET	1

G

7

Section 8
EXHAUST SYSTEM



EXHAUST SYSTEM

EXHAUST SYSTEM

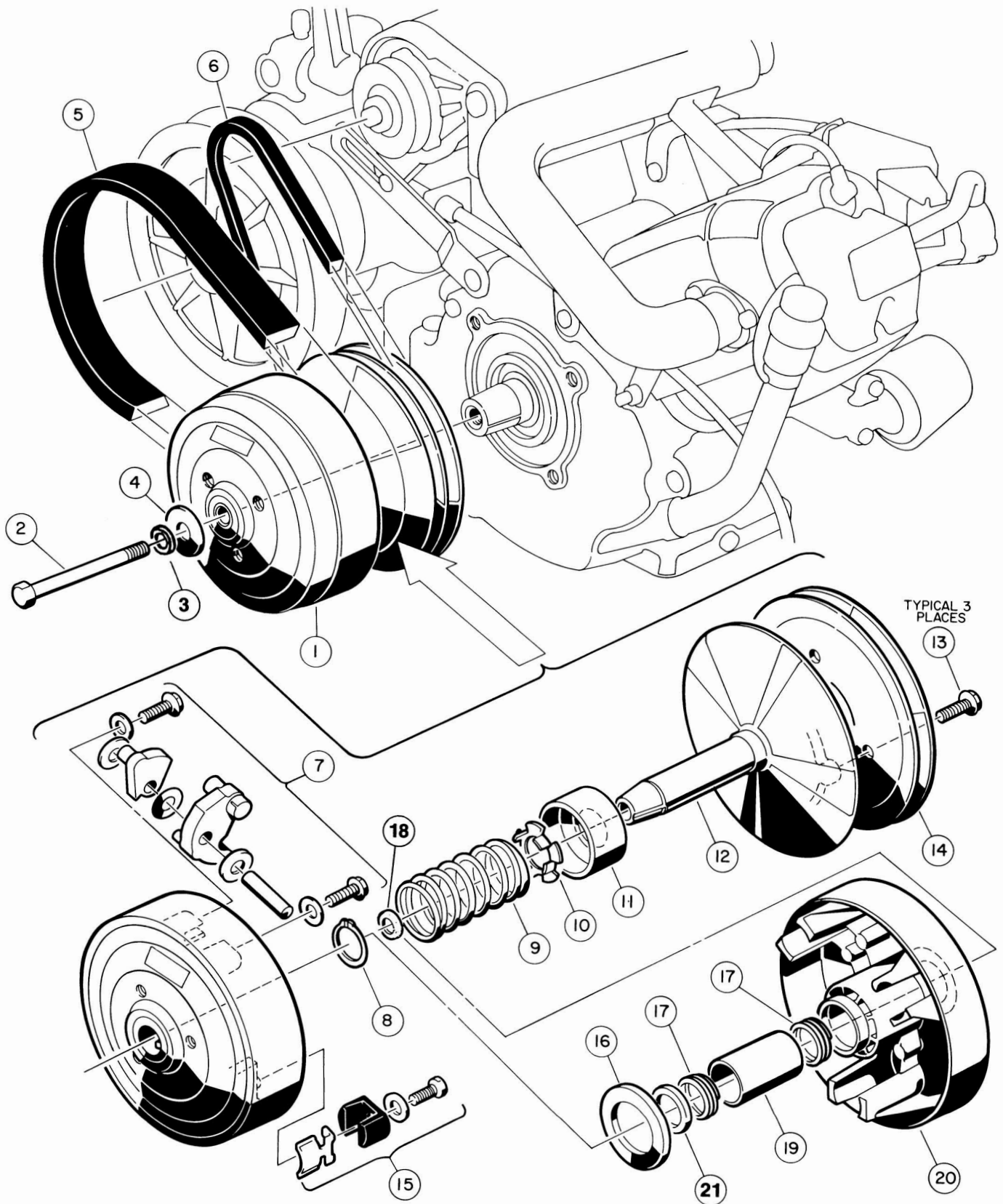
G

ITEM NUMBER	PART NUMBER	1	2	3	4	DESCRIPTION	UNITS PER VEHICLE
1	1016821					MUFFLER	1
2	1015814					MUFFLER BRACKET	1
3	332					FLATWASHER, 1/4" DIAMETER	2
4	451					LOCKWASHER, 1/4" DIAMETER	2
5	7847					HEX HEAD SCREW, 1/4-20 X 3/4	2
6	1015881					MUFFLER SPRING	2
7	1015450					GASKET	1
8	1242					HEX NUT, 5/16-18	2
9	7174					LOCKWASHER, 5/16" DIAMETER	2
10	1010934					HEX HEAD BOLT, 5/16-18 X 1	2
11	1011697					FLATWASHER, 5/16" DIAMETER	1
12	1012830					HEX HEAD SCREW, M8-1.25 X 22MM BOLT	1
13	1015247					EXHAUST HEADER	1
14	1012528					HEX NUT, 8MM	2
15	1013734					LOCKWASHER, 8MM	2
16	1015330					GASKET	1

8

Section 9

TORQUE CONVERTER



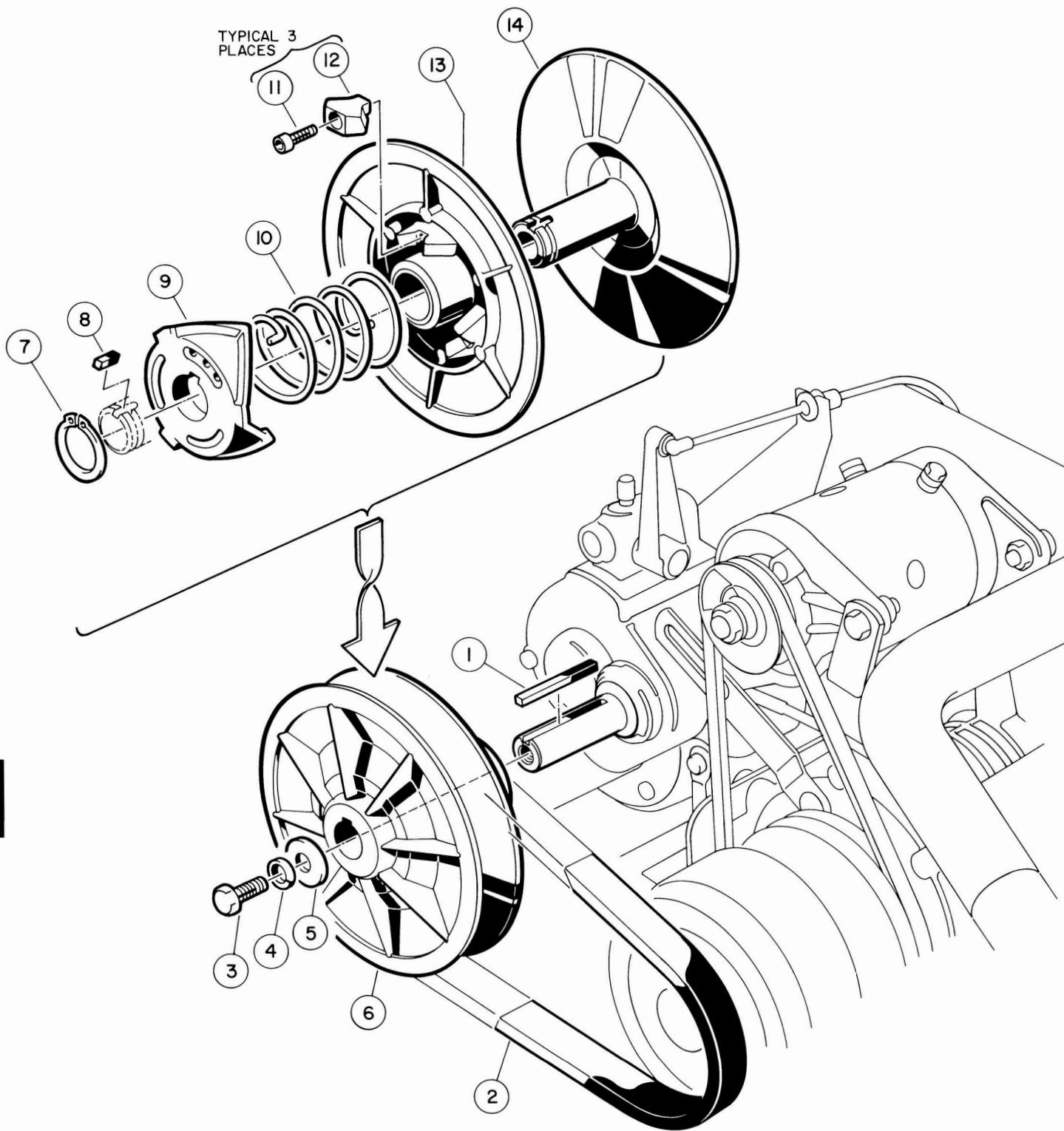
DRIVE CLUTCH ASSEMBLY

DRIVE CLUTCH ASSEMBLY

ITEM NUMBER	PART NUMBER	1 2 3 4	DESCRIPTION	UNITS PER VEHICLE
	1016378-02		DRIVE CLUTCH ASSEMBLY	
1	1014059		DRIVE HUB	1
2	1012441		3/8"-24 X 5-1/2" HEX BOLT	1
3	357		3/8" LOCKWASHER	1
4	808		3/8" TYPE B FLATWASHER	1
5	1016203		DRIVE BELT	1
6	1015241		STARTER/GENERATOR BELT	1
7	1016801		DRIVE CLUTCH WEIGHT KIT — OHV	1
8	1014057		RETAINING RING	1
9	1014051		SPRING — DRIVE CLUTCH	1
10	1014050		SPRING RETAINER	1
11	1014049		IDLER BEARING	1
12	1014451		FIXED FACE — DRIVE	1
			INCLUDES ITEMS 12, 13 AND 14	
15	1014453		DRIVE CLUTCH BUTTON KIT	1
16	1014058		THRUST WASHER	1
17	1014056		SPIRAL — BACK-UP RING	2
18	1016289		SPACER — NYLON	1
20	1014052		MOVABLE FACE ASSEMBLY	1
			INCLUDES ITEMS 19 AND 21	
21	1014055		RETAINER	

G

9



DRIVEN CLUTCH ASSEMBLY

DRIVEN CLUTCH ASSEMBLY

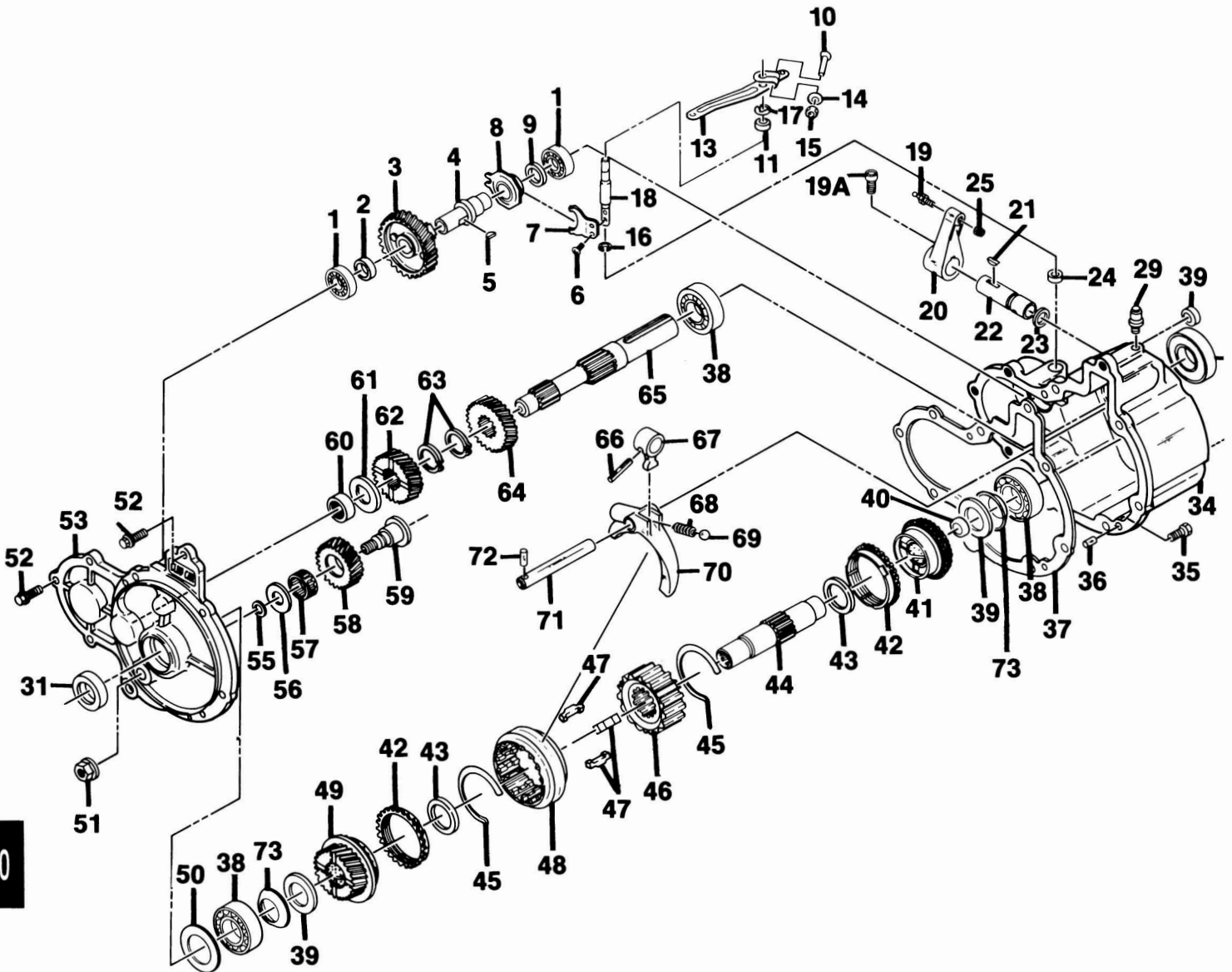
G

ITEM NUMBER	PART NUMBER	DESCRIPTION	UNITS PER VEHICLE
		1 2 3 4	
	1016360-02	DRIVEN CLUTCH ASSEMBLY	
1	1012455	SHAFT KEY	1
2	1016203	DRIVE BELT	1
3	7173	HEX HEAD BOLT, 5/16-18 X 3/4	1
4	7174	LOCKWASHER, 5/16" DIAMETER	1
5	1012571	HEAVY FLATWASHER, 5/16" DIAMETER	1
6	1016360-02	DRIVEN CLUTCH ASSEMBLY INCLUDES ITEMS 7 THRU 14	1
7	1014080	RETAINING RING	1
8	1014078	SHORT KEY	1
9	1014077	CAM	1
10	1016665	90° SPRING	1
11	1012836	SOC HEAD CAP SCREW, #8-32 X 3/4	3
12	1014076	DRIVE BUTTON	3
13	1014072	MOVABLE FACE ASSEMBLY	1
14	1014070	FIXED FACE ASSEMBLY	1
	1014454	DRIVEN CLUTCH BUTTON KIT INCLUDES ITEMS 11 AND 12	1

9

Section 10

TRANSMISSION AND GOVERNOR



TRANSMISSION AND GOVERNOR ASSEMBLY

TRANSMISSION AND GOVERNOR ASSEMBLY

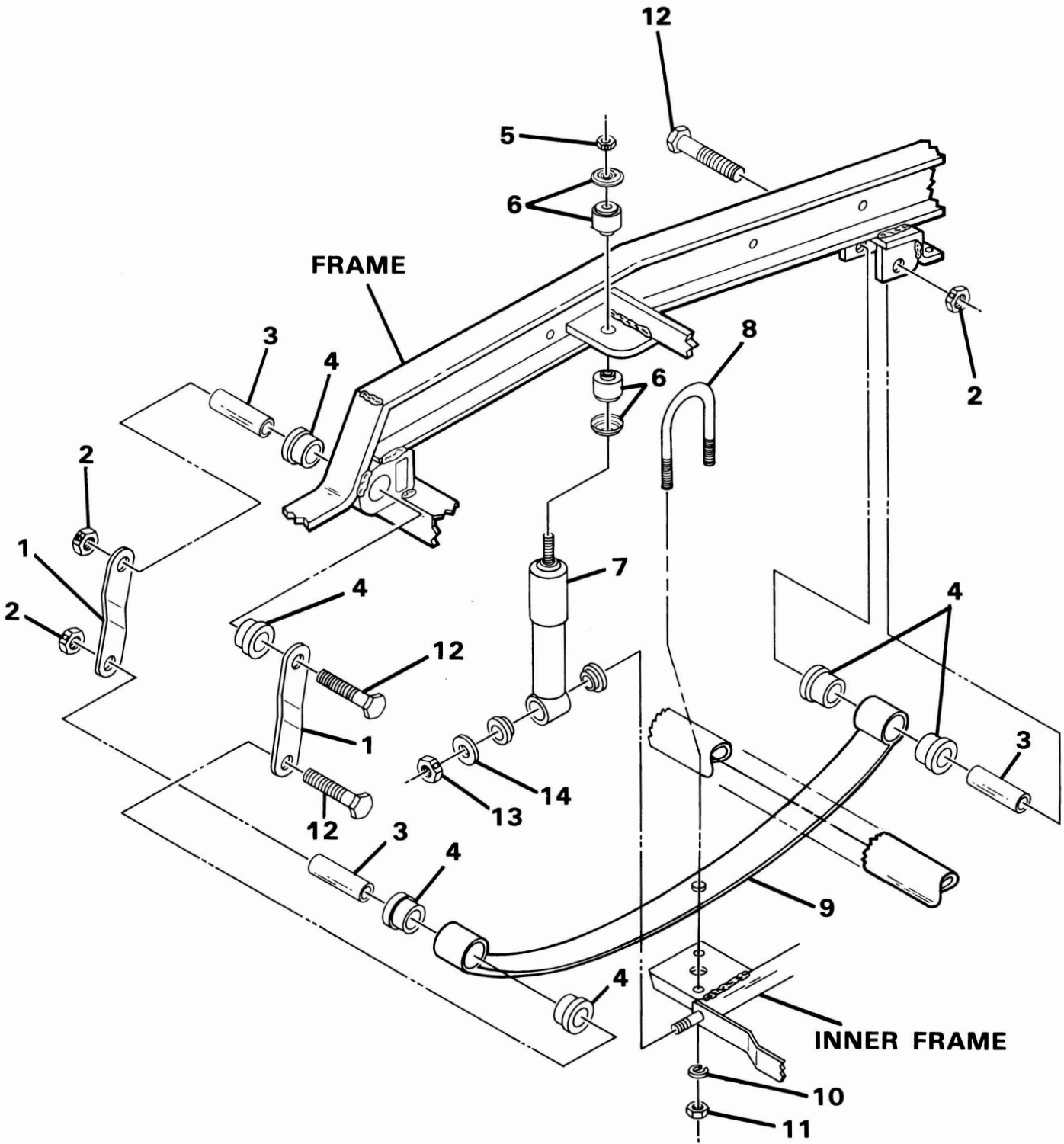
G

ITEM NUMBER	PART NUMBER	DESCRIPTION				UNITS PER VEHICLE
		1	2	3	4	
	1015747	TRANSMISSION ASSEMBLY				1
1	1012761	BALL BEARING				2
2	1012759	SPACER-THICK				1
3	1012755	GOVERNOR GEAR, 41 TOOTH				1
4	1016598	GOVERNOR SHAFT				1
5	1012760	GOVERNOR SHAFT KEY				1
6	1012764	SCREW, M4 X 0.7 X 6MM				2
7	1012763	GOVERNOR ARM, INTERNAL				1
8	1012757	GOVERNOR SLEEVE				1
9	1012758	SPACER-THIN				1
10	1016540	BOLT, M6 X 1 X 25MM HEX				1
11	1012772	GOVERNOR ARM PIVOT				1
13	1015710	GOVERNOR ARM, EXTERNAL				1
14	1016513	WASHER, FLAT				1
15	1012770	NUT, M6 X 1				1
16	1012766	SNAP RING				2
17	1012765	WASHER				1
18	1012762	GOVERNOR ARM SHAFT				1
19	1010954	BALL STUD				1
19A	1012602	CAP SCREW, SOCKET HEAD, 10-24 X 3/8"				1
20	1016341	TRANSMISSION SHIFTER LEVER				1
21	1012753	SHIFTER SHAFT KEY				1
22	1012751	SHIFTER SHAFT				1
23	1012754	O-RING				1
24	1012767	OIL SEAL				1
25	8717	LOCKNUT, 1/4-28 NYLON				1
29	1012711	BREATHER				1
30	1012714	OIL SEAL				2
32	1013759	DRAIN PLUG WITH GASKET				1
34	1013960	GEAR CASE				1
35	1012719	BOLT, M6 X 1 X 14MM HEX				1
36	1012710	DOWEL PIN				2
37	1012717	CASE GASKET				1
38	7336	BALL BEARING				3
39	1016337	THRUST WASHER				2
40	1012735	PLUG				2
41	1016591	GEAR ASSEMBLY, 28 TOOTH				1
42	1012742	SYNCHRONIZER RING				2
43	1012743	THRUST WASHER				2
44	1012734	OUTPUT SHAFT				1
45	1012741	SYNCHRO SPRING				2
46	1012738	CLUTCH HUB				1
47	1012740	SYNCHRO INSERT				3
48	1012739	SLEEVE				1
49	1012737	GEAR ASSEMBLY, 34 TOOTH				1
50	1012783	SHIM 0.2MM				A/R
50	1012784	SHIM 0.1MM				A/R
51	1012733	FLANGE NUT, M12 X 1.25				1
52	1012718	BOLT, M6 X 1 X 20MM HEX				4
53	1012715	COVER				1
55	1012732	O-RING				1
56	1012730	THRUST WASHER				1
57	1012731	NEEDLE BEARING				1
58	1012729	REVERSE IDLER GEAR				1
59	1012728	IDLER SHAFT				1
60	1012716	NEEDLE BEARING				1
61	1012723	THRUST WASHER, 3.0MM				A/R
61	1012724	THRUST WASHER, 3.3MM WHITE				A/R
61	1012725	THRUST WASHER, 3.6MM YELLOW				A/R
62	1012722	GEAR, 25 TOOTH				1
63	1012727	SNAP RING				2
64	1016594	GEAR, 29 TOOTH				1
65	1012720	INPUT SHAFT				1
66	1012752	ROLL PIN				1
67	1012750	SHIFTER ARM LEVER, INSIDE				1
68	1012748	SHIFTER SPRING				1
69	1012747	SHIFTER BALL				1
70	1012746	SLEEVE SHIFT ARM				1
71	1012745	SHIFT ROD				1
72	1012749	ROLL PIN				1
73	1016338	BELLEVILLE SPRING				2

10

Section 11

REAR SUSPENSION



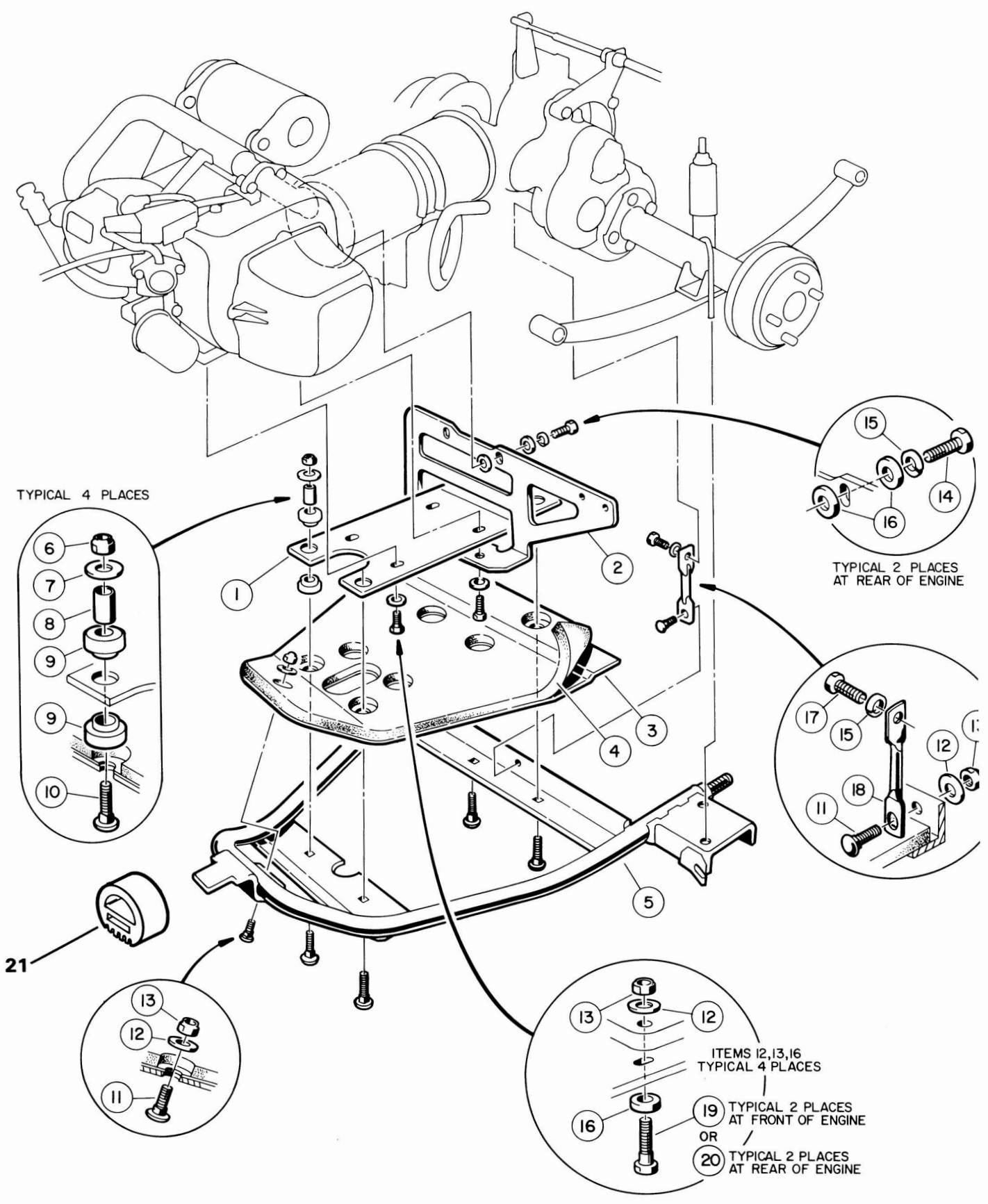
REAR SUSPENSION ASSEMBLY

REAR SUSPENSION ASSEMBLY

G

ITEM NUMBER	PART NUMBER	1 2 3 4	DESCRIPTION	UNITS PER VEHICLE
1	1012304		REAR SPRING SHACKLE	4
2	1010138		DIMPLED LOCKNUT, 3/8-16 UNC	6
3	1012303		STEEL BUSHING	4
4	1015583		URETHANE BUSHING	12
5	1010145		NUT, 3/8-24 UNC HEX	2
6	1011415		SHOCK ABSORBER CUSHION KIT	2
7	1014234		SHOCK ABSORBER KIT INCLUDES ITEM 6	1
8	1012180		"U" BOLT	2
9	1012324		REAR SPRING	2
10	357		LOCKWASHER, 3/8	4
11	706		NUT, 3/8-16 UNC HEX	8
12	8755		BOLT, HEX, 3/8-16 UNC X 3-3/8"	6
13	1010188		DIMPLED LOCKNUT, 5/8-11	2
14	1010193		FLATWASHER, 5/8	2
15	1012781		SHOCK ABSORBER KIT INCLUDES ITEMS 6 AND 7	1

11



TYPICAL 4 PLACES

TYPICAL 2 PLACES AT REAR OF ENGINE

ITEMS 12,13,16 TYPICAL 4 PLACES

19 TYPICAL 2 PLACES AT FRONT OF ENGINE

OR 20 TYPICAL 2 PLACES AT REAR OF ENGINE

INNER FRAME ASSEMBLY

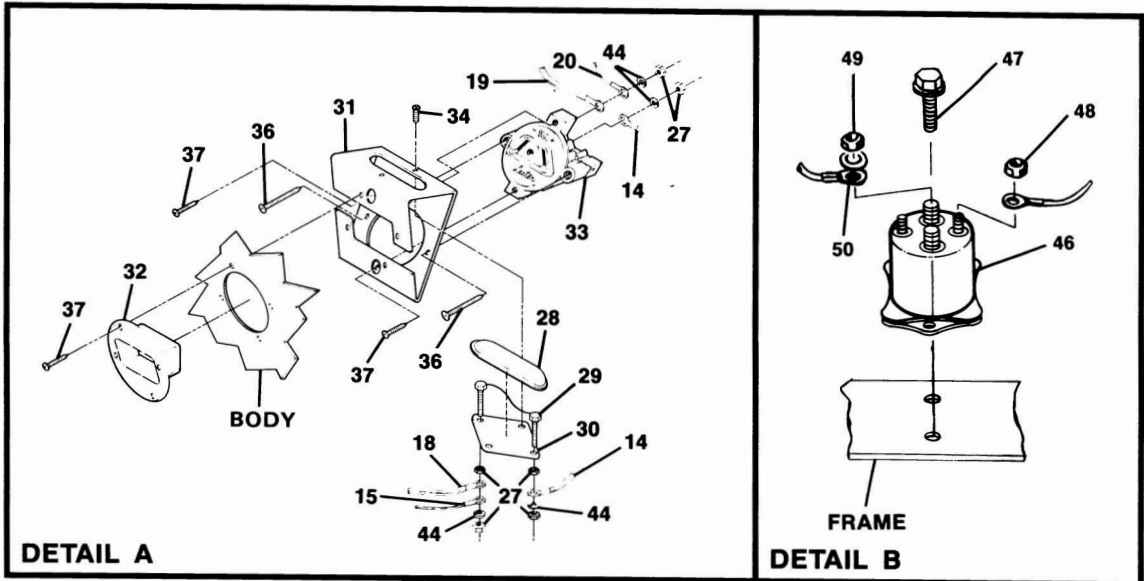
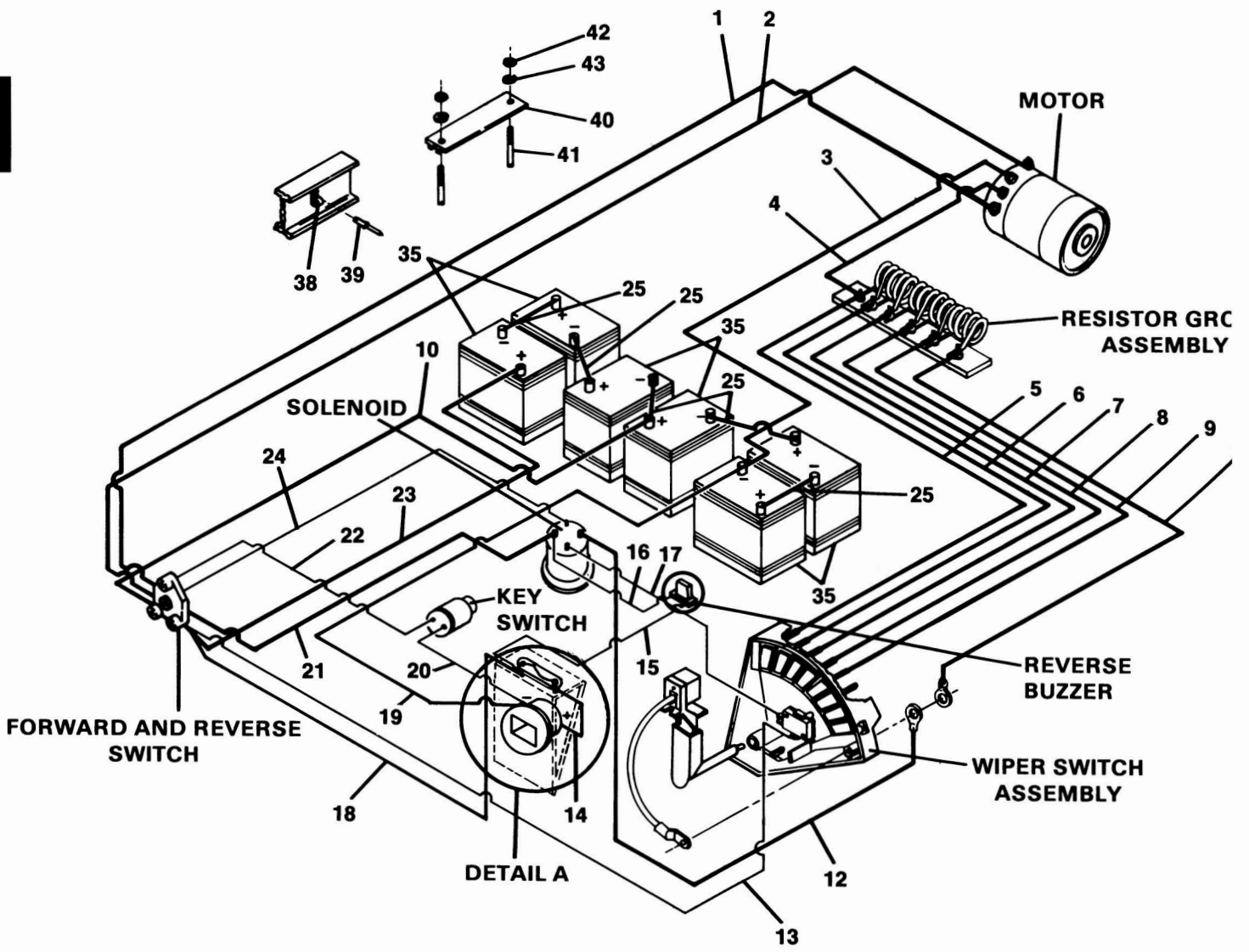
INNER FRAME ASSEMBLY

G

ITEM NUMBER	PART NUMBER	1	2	3	4	DESCRIPTION	UNITS PER VEHICLE
1	1016869					ENGINE MOUNTING PLATE	1
2	1016206					MUFFLER MOUNTING PLATE	1
3	1016196					BELLY PAN	1
4	1016197					SOUND INSULATION	1
5	1016870					INNER FRAME	1
6	8754					NYLON LOCKNUT, 3/8-16	4
7	808					FLATWASHER	4
8	1012291					STEEL BUSHING	4
9	1012290					ENGINE MOUNTS	8
10	1012428					ROUND HEAD SQUARE NECK BOLT, 3/8-16 X 2-1/4	4
11	1015932					ROUND HEAD SQUARE NECK BOLT, 5/16-18 X 1	2
12	1241					FLATWASHER, 5/16" DIAMETER	6
13	7473					NYLON LOCKNUT, 5/16-18	6
14	1015709					HEX HEAD CAP SCREW, M8-1.25 X 30MM	2
15	7174					LOCKWASHER, 5/16" DIAMETER	3
16	1012571					HEAVY FLATWASHER, 5/16" DIAMETER	8
17	1010577					HEX HEAD SCREW, 5/16-18 X 1-1/2	1
18	1016200-01					TRANSMISSION STRAP	1
19	8963					HEX HEAD BOLT, 5/16-18 X 1-3/4	2
20	8916					HEX HEAD CAP SCREW, 5/16-18 X 2	2
21	1012164					SNUBBER	1

11

Section 12
ELECTRICAL



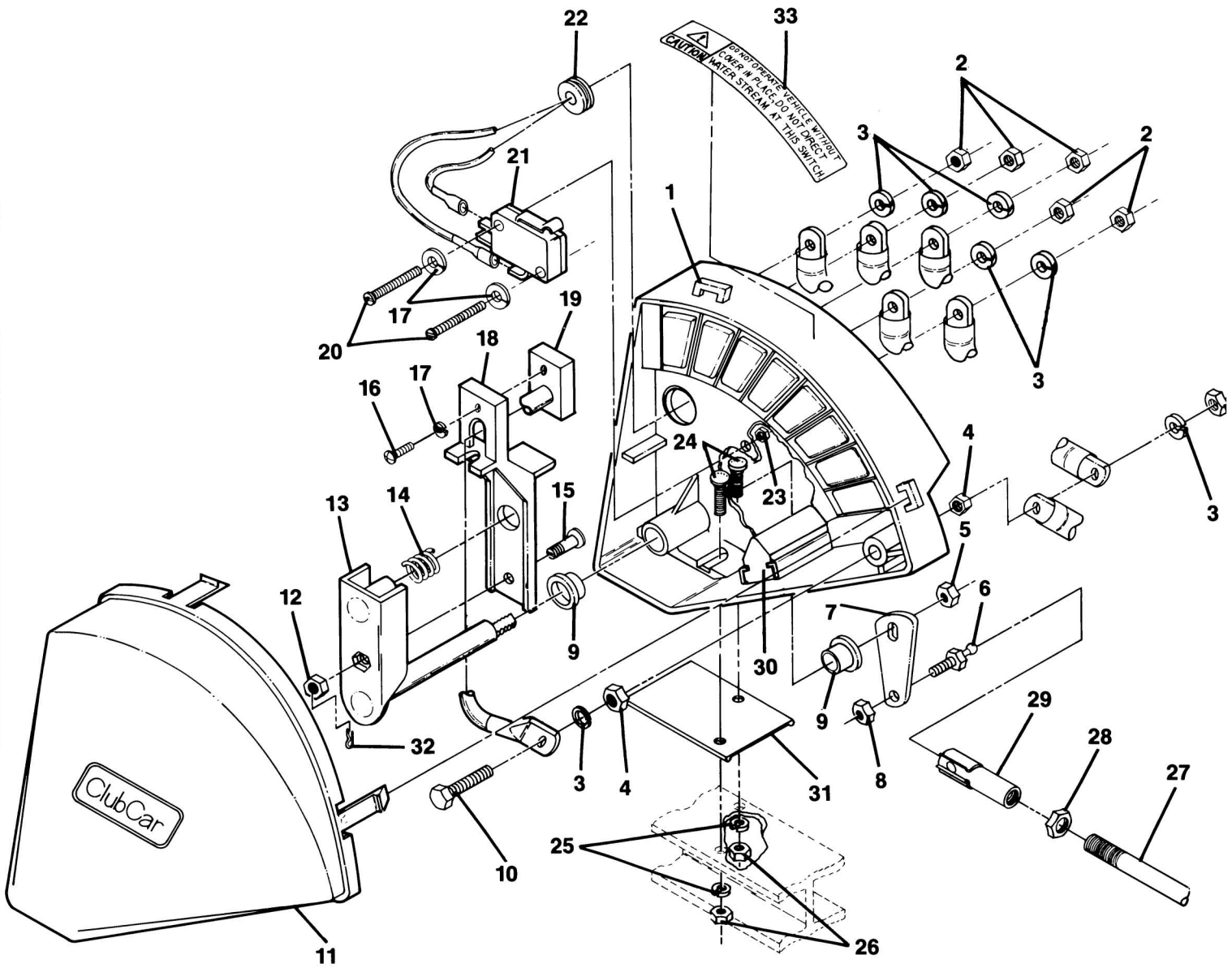
POWER WIRING — ELECTRIC VEHICLE

POWER WIRING — ELECTRIC VEHICLE

ITEM NUMBER	PART NUMBER	1 2 3 4 DESCRIPTION	UNITS PER VEHICLE
1	1016070	WIRE ASSEMBLY #6 BROWN	1
2	1016069	WIRE ASSEMBLY #6 PURPLE	1
3	1012651	WIRE ASSEMBLY #6 BLACK	1
4	1016068	WIRE ASSEMBLY #6 GREY	1
5	1014036	WIRE ASSEMBLY #6 BLACK	1
6	1014035	WIRE ASSEMBLY #6 BLUE	1
7	1014034	WIRE ASSEMBLY #6 GREEN	1
8	1014033	WIRE ASSEMBLY #6 YELLOW	1
9	1014032	WIRE ASSEMBLY #6 ORANGE	1
10	1014828	WIRE ASSEMBLY #6 GREEN	1
11	1014030	WIRE ASSEMBLY #6 WHITE	1
12	1014029	WIRE ASSEMBLY #6 WHITE	1
13	1014022	WIRE ASSEMBLY #18 RED	1
14	1013092	WIRE ASSEMBLY #10 RED	1
15	1014024	WIRE ASSEMBLY #18 ORANGE	1
16	1012230	WIRE ASSEMBLY #18 WHITE	1
17	1014023	WIRE ASSEMBLY #18 GREEN	1
18	1012237	WIRE ASSEMBLY #10 RED	1
19	1011010	WIRE ASSEMBLY #10 WHITE	1
20	1011007	WIRE ASSEMBLY #18 RED	1
21	1014039	WIRE ASSEMBLY #6 WHITE	1
22	1011006	WIRE ASSEMBLY #18 BLUE	1
23	1011069	WIRE ASSEMBLY #6 RED	1
24	1014040	WIRE ASSEMBLY #18 YELLOW	1
25	1010958	WIRE ASSEMBLY #6 BLACK	5
27	8797	NUT #10-32, BRASS	6
28	1012143	FUSE LENS	1
29	1012085	FUSE, 80 AMP	1
30	1012142	FUSE HOLDER	1
31	1013628	FUSE AND RECEPTACLE MOUNTING BRACKET	1
32	1013649	RECEPTACLE BEZEL	1
33	4107	CHARGER RECEPTACLE	1
34	1013266	SCREW, PHILLIPS HEAD, TYPE BT, #8-18 X 1/2"	2
35	1016616-01	CLUB CAR 6 VOLT BATTERY	6
36	8795	SELF TAPPING SCREW, PHILLIPS PAN HEAD # 7 X 1-3/4"	2
37	1017183	SELF TAPPING SCREW, PHILLIPS PAN HEAD # 7 X 3/4"	6
38	1012022	CABLE CLAMP	3
39	1606	POP RIVET, 3/16"	3
40	1010908	BATTERY HOLD DOWN	3
41	1013683	"J" BOLT	6
42	1014305	HEX NUT, 5/16-18 UNC S.S.	18
43	1011578	FLATWASHER, TYPE B, 5/16"	6
44	1016	#10 SPLIT LOCKWASHER	4
45	1014516	FUSE LINK KIT (NOT SHOWN) INCLUDES ITEMS 27, 28, 29, 30 AND 44	1
46	8016	SOLENOID — 36 VOLT	1
47	1012285	1/4-20 X 5/8" THREAD ROLLING SCREW	2
48	7893	#10-32 HEX NUT	2
49	1242	5/16 X 18 HEX NUT	2
50	7174	WASHER, 5/16 HELICAL SPRING	2

E

12



V-GLIDE WIPER SWITCH

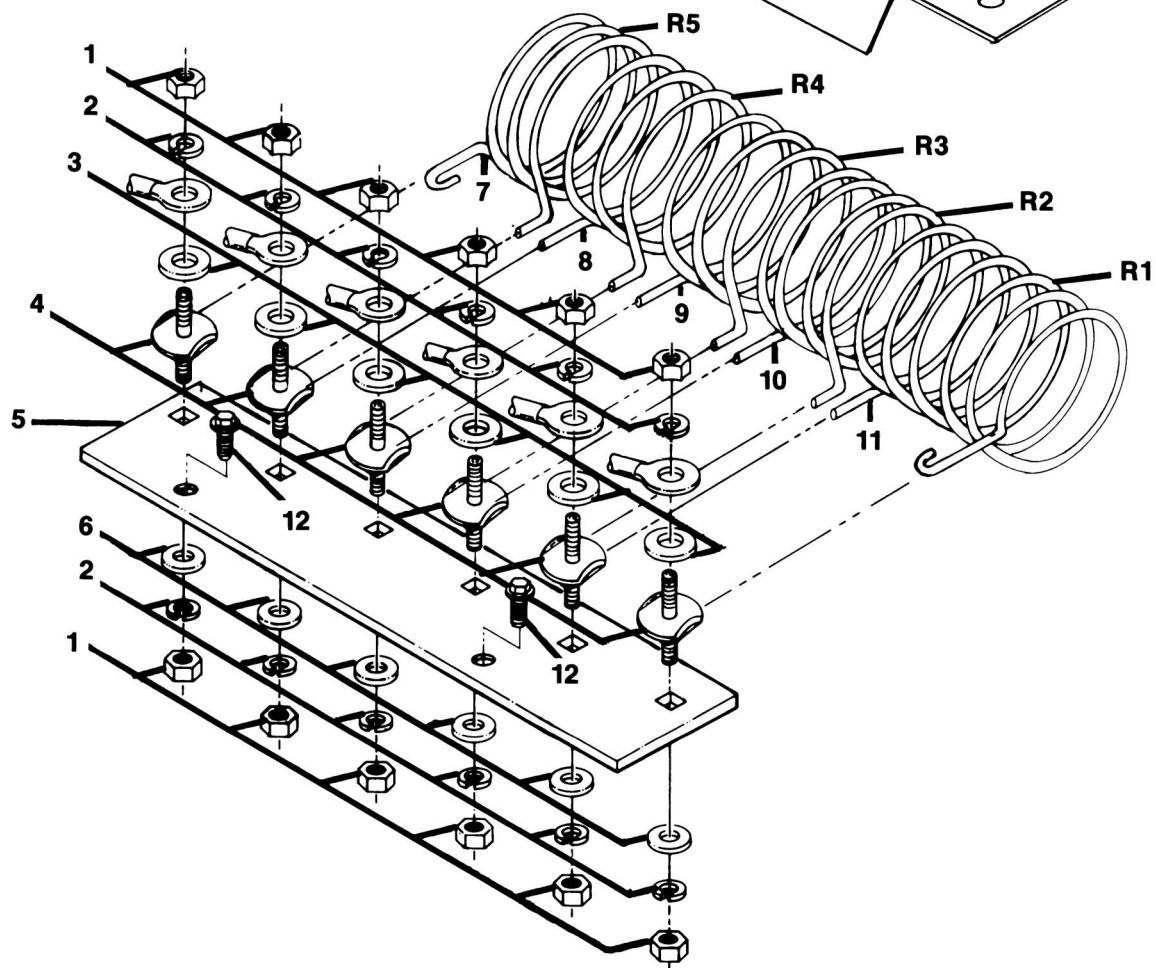
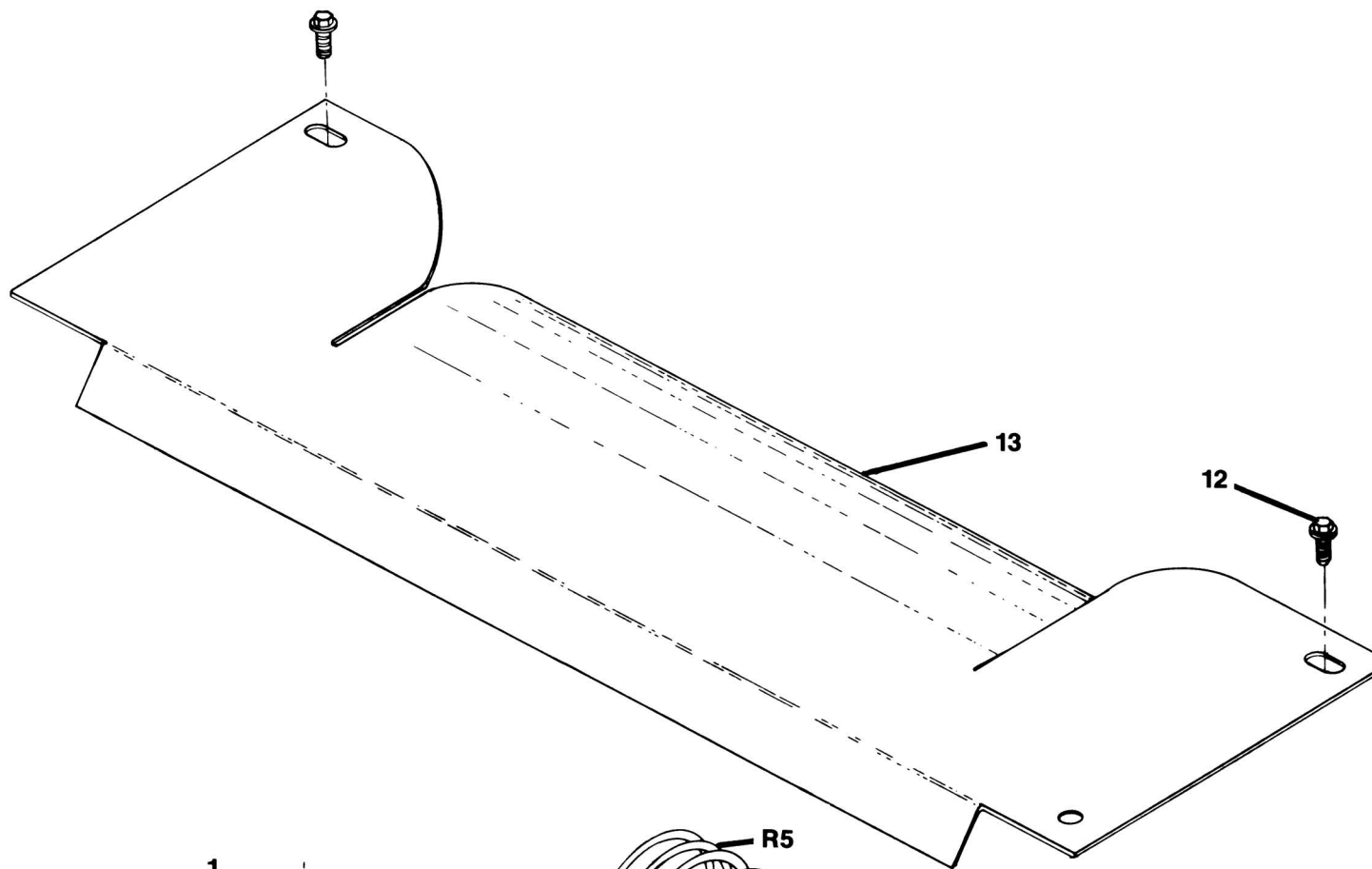
V-GLIDE WIPER SWITCH

ITEM NUMBER	PART NUMBER	1 2 3 4	DESCRIPTION	UNITS PER VEHICLE
	1016140		V-GLIDE CONTROLLER ASSEMBLY INCLUDES ITEMS 1 THRU 23, 30, 32 AND 33	1
1	1014999		SPEED CONTROLLER CASE ASSEMBLY	1
2	1014		1/4"-20 UNC HEX NUT, BRASS	5
3	451		1/4" SPLIT LOCKWASHER	7
4	1014253		1/4"-20 BRASS JAM NUT	3
5	7473		5/16"-18 UNC NYLON LOCKNUT	1
6	1012353		1/4" X 1/4"-28, SHORT BALL STUD	1
7	1014003		SPEED CONTROLLER BELL CRANK	1
8	8449		1/4"-28 DIMPLED LOCKNUT	1
9	1012903		3/8" X 1/2" FLANGE BEARING	2
10	1014189		1/4"-20 X 2.00 HEX CAP SCREW, BRONZE	1
11	1013886		SPEED CONTROLLER COVER	1
12	7893		#10-32 UNF HEX NUT	1
13	1014017		SPEED CONTROLLER SHAFT AND CARRIER	1
14	1013998		SPEED CONTROLLER BRUSH SPRING	1
15	1014000		SPEED CONTROLLER ADJUSTING STUD	1
16	1014019		#4-40 UNC TYPE "F" SCREW	1
17	8058		#4 SPLIT LOCKWASHER	3
18	1013887		SPEED CONTROLLER ARM	1
19	1013860		SPEED CONTROLLER BRUSH	1
20	8056		#4-40 UNC X 3/4" ROUND HEAD SCREW	2
21	1014807		LIMIT SWITCH	1
22	1014010		SPLIT GROMMET	1
23	8057		#4-40 UNC HEX NUT	2
24	1014109		#10-24 X 3/4" ROUND HEAD BOLT	2
25	1016175		#10 SPLIT LOCKWASHER	2
26	1017		#10 HEX NUT	2
27	1014016		ACCELERATOR ROD	1
28	1011084		1/4-28 JAM NUT	2
29	1011734		BALL JOINT	2
30	1014414		BUMPER, SPEED CONTROLLER	1
31	1014367		SHIM, SPEED CONTROLLER	1
32	1014413		HAIR SPRING COTTER PIN	1
33	1014660		SPEED CONTROLLER DECAL	1

E

12

E



12

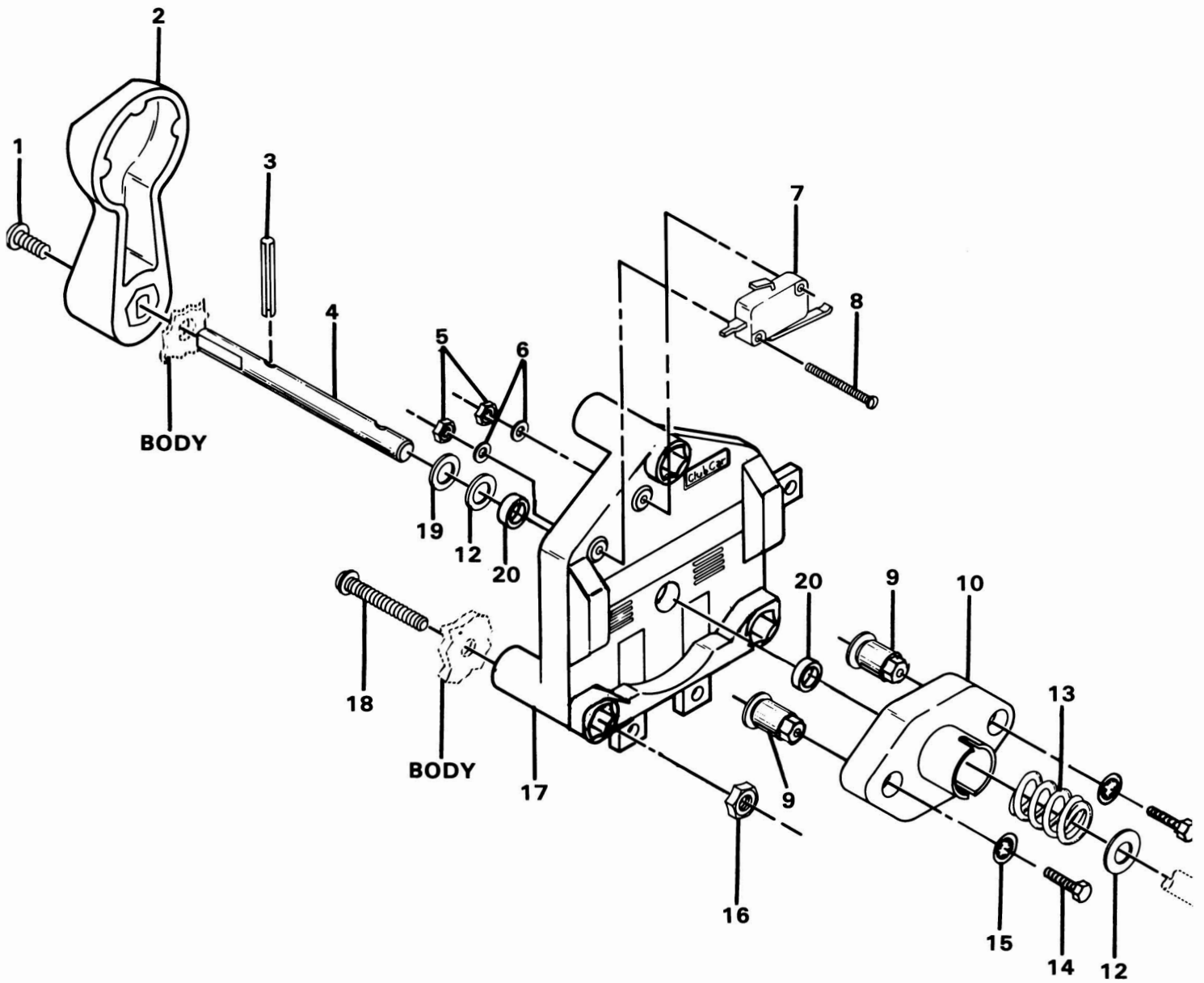
RESISTOR AND BOARD ASSEMBLY — V-GLIDE

RESISTOR AND BOARD ASSEMBLY — V-GLIDE

ITEM NUMBER	PART NUMBER	1 2 3 4	DESCRIPTION	UNITS PER VEHICLE
1	1028		1/4"-20 UNC HEX NUT	12
2	451		1/4" SPLIT LOCKWASHER	12
3	1014306		1/4" WIDE FLATWASHER	6
4	1014045		RESISTOR COIL STANDOFF	6
5	1014728		RESISTOR MOUNTING BOARD	1
6	332		1/4" FLATWASHER	6
7	1014655		RESISTOR COIL	1
8	1014654		RESISTOR COIL	1
9	1014013		RESISTOR COIL	1
10	1014014		RESISTOR COIL	1
11	1014729		RESISTOR COIL	1
12	1012285		1/4-20 UNC X 5/8" THREAD ROLLING SCREW	4
13	1013971		RESISTOR SHIELD	1

E

12



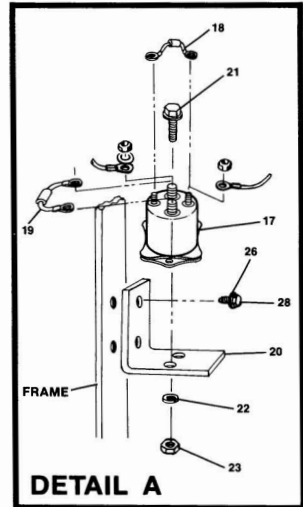
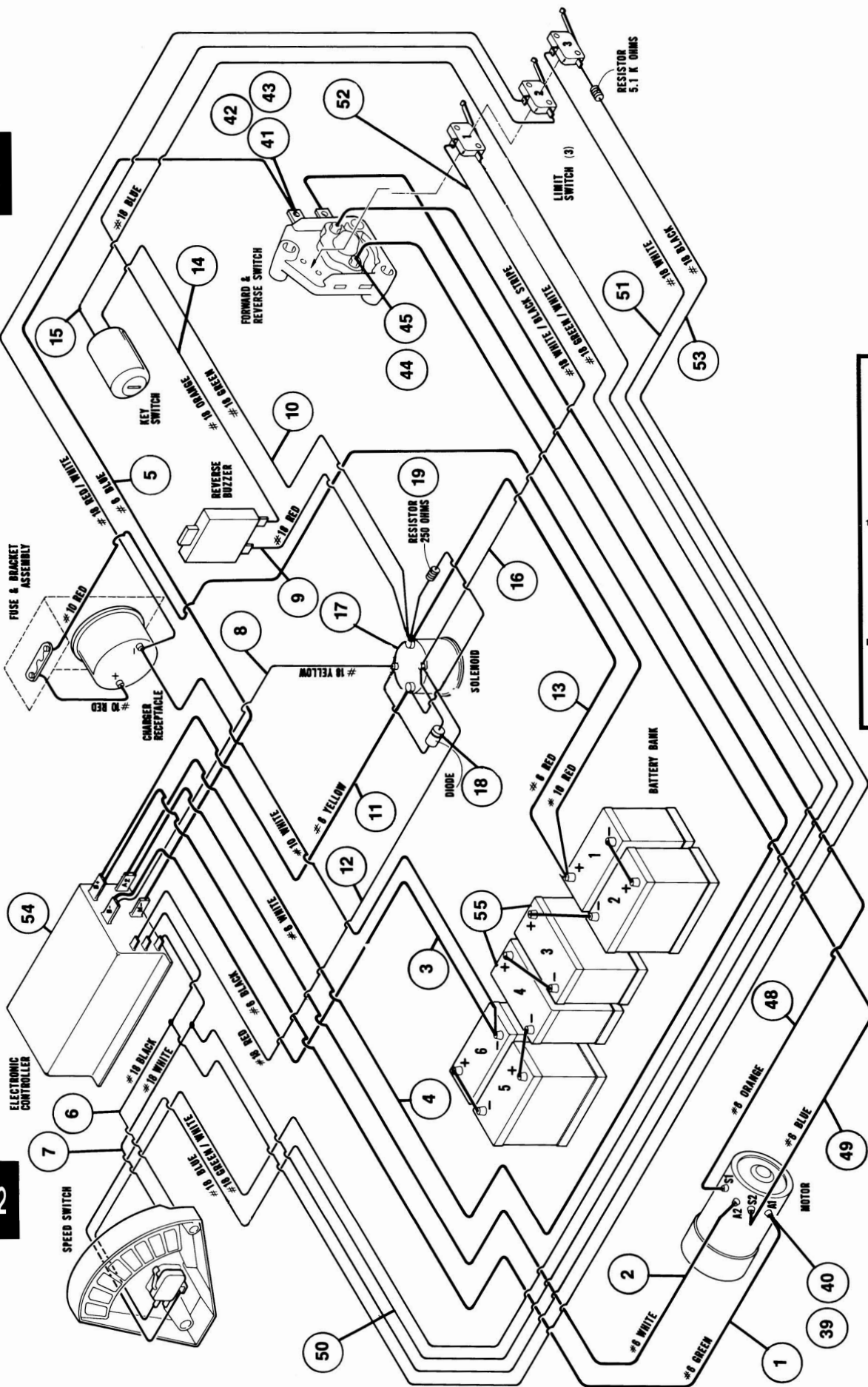
FORWARD AND REVERSE SWITCH ASSEMBLY — V-GLIDE

FORWARD AND REVERSE SWITCH ASSEMBLY — V-GLIDE

ITEM NUMBER	PART NUMBER	1 2 3 4	DESCRIPTION	UNITS PER VEHICLE
	1011997		FORWARD AND REVERSE SWITCH ASSEMBLY COMPLETE EXCLUDING ITEMS 1 AND 2 AND MOUNTING HARDWARE, ITEMS 14, 15, 16 AND 18	1
1	1013198		SCREW, PHILLIPS MACHINE, #8-32	1
2	1012987		SWITCH HANDLE, FORWARD AND REVERSE	1
3	1231		ROLL PIN, 1/8 X 1"	1
4	1012988		SHAFT, FORWARD AND REVERSE SWITCH	2
5	8057		NUT, HEX, #4-40 UNC	2
6	8058		LOCKWASHER, #4	1
7	1014808		LIMIT SWITCH, FORWARD AND REVERSE	2
8	1011991		SCREW, SLOTTED ROUND HEAD, #4-40 X 1-1/8"	2
9	8793		ROTOR CONTACT	1
10	1016130		SWITCH ROTOR, FORWARD AND REVERSE	1
11	1011993		ROLL PIN, 3/16" X 1-3/8"	2
12	1011990		FLATWASHER, 3/8"	1
13	7627		SHAFT SPRING, FORWARD AND REVERSE	2
14	8450		SCREW, HEX HEAD MACHINE, #10-24	2
15	8049		LOCKWASHER, INTERNAL TOOTH #10	3
16	8233		LOCKNUT, NYLON, 1/4-20	1
17	1014273		SWITCH CASE, FORWARD AND REVERSE INCLUDES ITEM 20	3
18	1011988		SCREW, TRUSS HEAD PHILLIPS, 1/4-20 X 2"	1
19	1014065		WASHER, PLASTIC, 3/8"	2
20	1014145		BEARING	

E

12



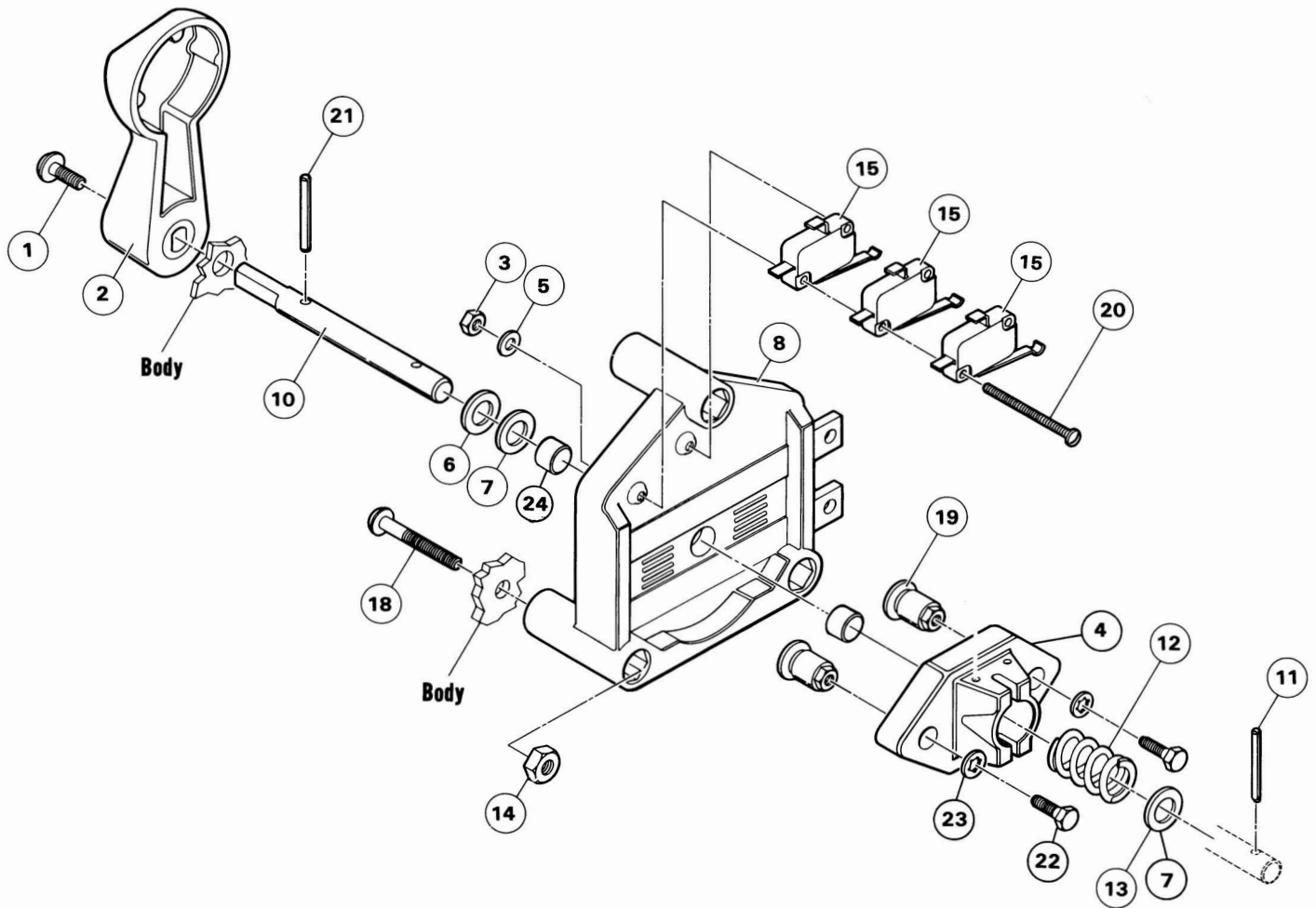
POWER WIRING — SOLID STATE CONTROLLER

POWER WIRING — SOLID STATE CONTROLLER

ITEM NUMBER	PART NUMBER	DESCRIPTION	UNITS PER VEHICLE
		1 2 3 4	
	1015879	CONTROLLER WIRING ASSEMBLY	1
1	1015860	WIRE ASSEMBLY #6 GREEN	1
2	1015861	WIRE ASSEMBLY #6 WHITE	1
3	1016137	WIRE ASSEMBLY #6 BLACK	1
4	1015856	WIRE ASSEMBLY #6 WHITE	1
5	1015857	WIRE ASSEMBLY #6 BLUE	1
6	1015863	WIRE ASSEMBLY #18 BLACK	1
7	1015864	WIRE ASSEMBLY #18 WHITE	1
8	1015866	WIRE ASSEMBLY #18 YELLOW	1
9	1016135	WIRE ASSEMBLY #18 RED	1
10	1016121	WIRE ASSEMBLY #18 GREEN	1
11	1015858	WIRE ASSEMBLY #6 YELLOW	1
12	1015865	WIRE ASSEMBLY #18 RED	1
13	1015859	WIRE ASSEMBLY #6 RED	1
14	1016134	WIRE ASSEMBLY #18 ORANGE	1
15	1016133	WIRE ASSEMBLY #18 BLUE	1
16	1016122	WIRE ASSEMBLY #18 BLACK/WHITE	1
17	8016	SOLENOID — 36 VOLT	1
18	1014948	DIODE ASSEMBLY	1
19	1014947	RESISTOR ASSEMBLY	1
20	1015838	SOLENOID MOUNTING BRACKET	1
21	7847	1/4-20 X 3/4 HEX HEAD SCREW (ATTACHES SOLENOID TO SOLENOID MOUNTING BRACKET)	2
22	451	1/4 HELICAL SPRING LOCKWASHER (ATTACHES SOLENOID TO SOLENOID MOUNTING BRACKET)	2
23	1028	1/4-20 HEX NUT (ATTACHES SOLENOID TO SOLENOID MOUNTING BRACKET)	2
24	1015837	MOUNTING PLATE — CONTROLLER	1
25	1014943	1/4-20 X 1-1/4 ROUND HEAD SQUARE NECK BOLT (ATTACHES CONTROLLER MOUNTING PLATE TO FRAME)	2
26	451	1/4 HELICAL SPRING LOCKWASHER (ATTACHES CONTROLLER MOUNTING PLATE TO FRAME)	2
27	1028	1/4-20 HEX NUT (ATTACHES CONTROLLER MOUNTING PLATE TO FRAME)	2
28	1012285	1/4-20 X 5/8" HEX WASHER HEAD SCREW (ATTACHES SOLENOID ASSEMBLY TO FRAME)	2
29	451	1/4 HELICAL SPRING LOCKWASHER (ATTACHES SOLENOID ASSEMBLY TO FRAME)	2
34	1014943	1/4-20 X 1.25 ROUND HEAD SQUARE NECK BOLT (ATTACHES CONTROLLER TO FRAME)	4
35	451	1/4 HELICAL SPRING LOCKWASHER (ATTACHES CONTROLLER TO FRAME)	4
36	1028	1/4-20 HEX NUT (ATTACHES CONTROLLER TO FRAME)	4
37	332	1/4 FLATWASHER (ATTACHES CONTROLLER TO FRAME)	4
38	1016631	PUSH NUT .187	4
39	7174	5/16 HELICAL SPRING LOCKWASHER (ATTACHES WIRES TO MOTOR)	4
40	1242	5/16-18 HEX NUT (ATTACHES WIRES TO MOTOR)	4
41	403	1/4-20 X 5/8" HEX HEAD BOLT (ATTACHES WIRES TO FORWARD & REVERSE CONTACT BARS)	2
42	451	1/4 LOCKWASHER (ATTACHES WIRES TO FORWARD & REVERSE CONTACT BARS)	2
43	1028	1/4-20 HEX NUT (ATTACHES WIRES TO FORWARD & REVERSE CONTACT BARS)	2
44	8450	#10-24 X 1/2" HEX HEAD SCREW (ATTACHES WIRES TO FORWARD & REVERSE ROTOR)	2
45	8049	#10 LOCKWASHER (ATTACHES WIRES TO FORWARD & REVERSE ROTOR)	2
46	1606	3/16 POP RIVET	3
47	1012022	CABLE CLAMP	3
48	1014854	WIRE ASSEMBLY #6 ORANGE	1
49	1014855	WIRE ASSEMBLY #6 BLUE	1
50	1016142	WIRE ASSEMBLY #18 BLUE	1
51	1016019	WIRE ASSEMBLY #18 WHITE	1
52	1014839	WIRE ASSEMBLY #18 GREEN/WHITE	1
53	1016018	WIRE ASSEMBLY #18 BLACK	1
54	1014749	ELECTRONIC CONTROLLER	1
55	1013697	CLUB CAR 6 VOLT BATTERY	6
56	1010908	BATTERY HOLD DOWN (NOT SHOWN)	3
57	1013683	"J" BOLT (NOT SHOWN)	6
58	1014305	HEX NUT, 5/16-18 UNC STAINLESS STEEL (NOT SHOWN)	18
59	1011578	FLATWASHER, TYPE B, 5/16" (NOT SHOWN)	6

E

12



F&R SWITCH — SOLID STATE CONTROLLER

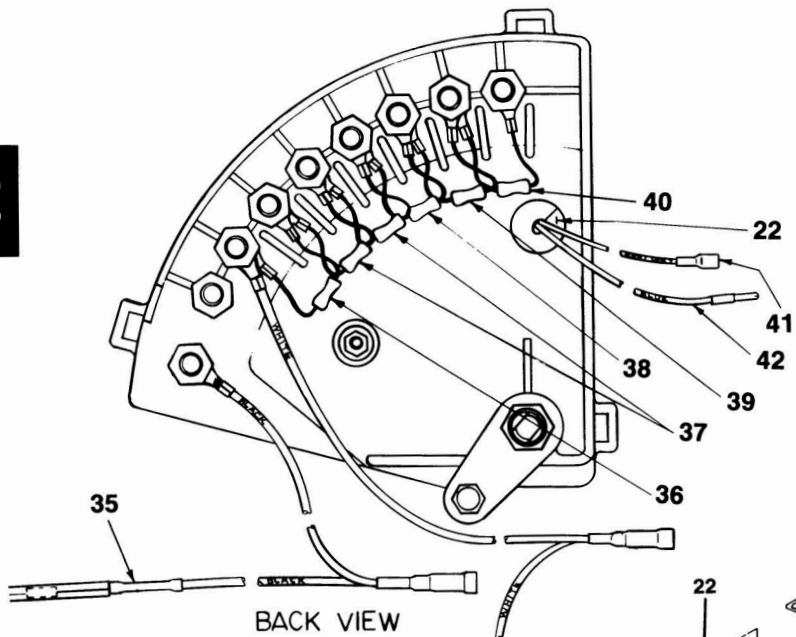
F&R SWITCH — SOLID STATE CONTROLLER

ITEM NUMBER	PART NUMBER	1	2	3	4	DESCRIPTION	UNITS PER VEHICLE
	1015846					F&R SWITCH ASSEMBLY	
1	1013198					SCREW, TRUSS HEAD	1
2	1012987					SWITCH HANDLE	1
3	8057					#4-40 UNC HEX NUT	2
4	1016130					F&R SWITCH ROTOR	1
5	8058					#4 LOCKWASHER	2
6	1014065					FLATWASHER (DELRIN)	1
7	1011990					3/8" FLATWASHER	2
8	1015830					F&R SWITCH CASE	1
9	1014145					BEARING	2
10	1012988					F&R SWITCH SHAFT	1
11	1011993					ROLL PIN 3/16" X 1.38	1
12	7627					F&R SHAFT SPRING	1
15	1014808					LIMIT SWITCH	3
18	1011988					SCREW, TRUSS HEAD PHILLIPS	3
19	8793					ROTOR CONTACT	2
20	1014871					#4-40 X 2.00 HEX WASHER HEAD SCREW	2
21	1231					ROLL PIN 1/8" X 1.00	1
22	8450					SCREW, HEX HEAD #10-34	2
23	8049					LOCKWASHER, #10 INTERNAL TOOTH	2
24	1014145					BEARING	2

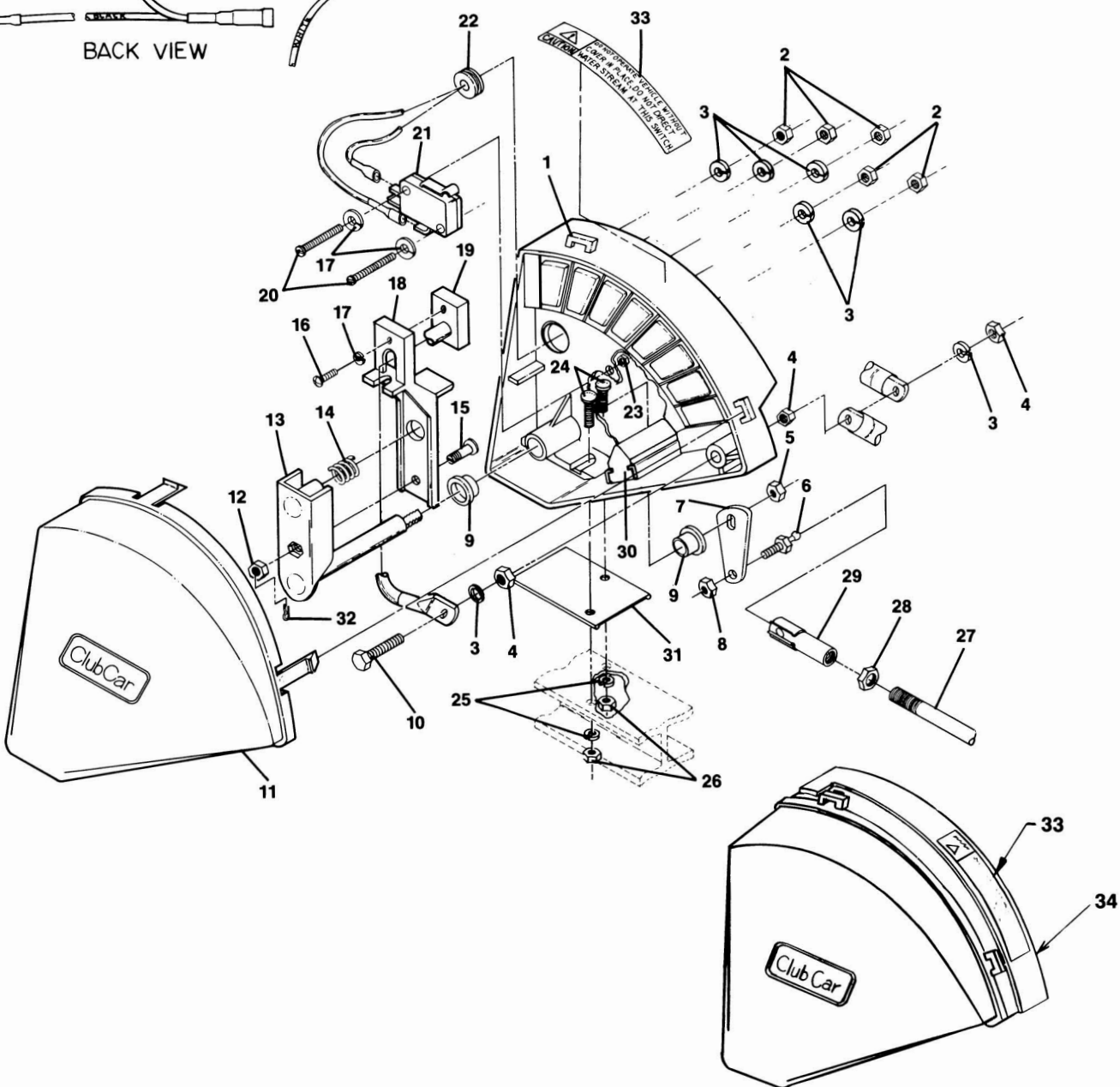
E

12

E



BACK VIEW



V-GLIDE WIPER SWITCH — SOLID STATE CONTROLLER

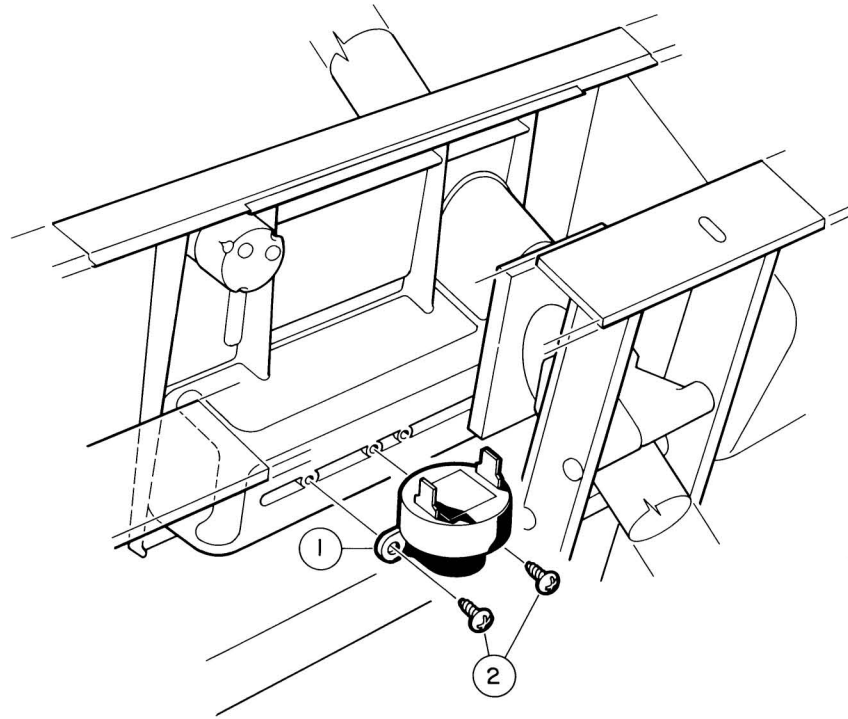
12

V-GLIDE WIPER SWITCH — SOLID STATE CONTROLLER

ITEM NUMBER	PART NUMBER	DESCRIPTION	UNITS PER VEHICLE
		1 2 3 4	
		V-GLIDE WIPER SWITCH — SOLID STATE CONTROLLER	
1	1014917	SPEED CONTROLLER CASE	1
2	1014	1/4"-20 UNC HEX NUT, BRASS	5
3	451	1/4" SPLIT LOCKWASHER	7
4	1014253	1/4"-20 BRASS JAM NUT	3
5	7473	5/16"-18 UNC NYLON LOCKNUT	1
6	1012353	1/4" X 1/4"-28, SHORT BALL STUD	1
7	1014003	SPEED CONTROLLER BELL CRANK	1
8	8449	1/4"-28 DIMPLED LOCKNUT	1
9	1012903	3/8" X 1/2" FLANGE BEARING	2
10	1014189	1/4"-20 X 2.00 HEX CAP SCREW, BRONZE	1
11	1013886	SPEED CONTROLLER COVER	1
12	7893	#10-32 UNF HEX NUT	1
13	1014017	SPEED CONTROLLER SHAFT AND CARRIER	1
14	1013998	SPEED CONTROLLER BRUSH SPRING	1
15	1014000	SPEED CONTROLLER ADJUSTING STUD	1
16	1014019	#4-40 UNC TYPE "F" SCREW	1
17	8058	#4 SPLIT LOCKWASHER	3
18	1013887	SPEED CONTROLLER ARM	1
19	1013860	SPEED CONTROLLER BRUSH	1
20	8056	#4-40 UNC X 3/4" ROUND HEAD SCREW	2
21	1014807	LIMIT SWITCH	1
22	1014010	SPLIT GROMMET	1
23	8057	#4-40 UNC HEX NUT	2
24	1014109	#10-24 X 3/4" ROUND HEAD BOLT	2
25	1016175	#10 SPLIT LOCKWASHER	2
26	1017	#10 HEX NUT	2
27	1014016	ACCELERATOR ROD	1
28	1011084	1/4-28 JAM NUT	2
29	1011734	BALL JOINT	2
30	1014414	BUMPER, SPEED CONTROLLER	1
31	1014367	SHIM, SPEED CONTROLLER	1
32	1014413	HAIR SPRING COTTER PIN	1
33	1016109	SPEED CONTROLLER DECAL	2
34	1016061	WIPER SWITCH RESISTOR PROTECTOR	1
35	1016018	WIRE ASSEMBLY #18 BLACK	1
36	1016017	RESISTOR ASSEMBLY 910Ω	1
37	1016016	RESISTOR ASSEMBLY 620Ω	2
38	1016015	RESISTOR ASSEMBLY 750Ω	1
39	1016014	RESISTOR ASSEMBLY 820Ω	1
40	1016013	RESISTOR ASSEMBLY 1100Ω	1
41	1014839	#18 GREEN/WHITE WIRE ASSEMBLY	1
42	1016142	#18 BLUE WIRE ASSEMBLY	1
44	1016092	#8-32 X .44 PAN HEAD SCREW (NOT SHOWN) (ATTACHES RESISTOR PROTECTOR #34 TO WIPER SWITCH CASE)	2
45	1013529	#8 PLAIN WASHER (NOT SHOWN) (ATTACHES RESISTOR PROTECTOR #34 TO WIPER SWITCH CASE)	4
46	1011571	#8-32 HEX NUT (NOT SHOWN) (ATTACHES RESISTOR PROTECTOR #34 TO WIPER SWITCH CASE)	2
47	1016090	#8-32 HEX MALE/FEMALE STANDOFF (NOT SHOWN) (ATTACHES RESISTOR PROTECTOR #34 TO WIPER SWITCH CASE)	2
48	1012076	#8 EXTERNAL TOOTH LOCKWASHER (NOT SHOWN) (ATTACHES RESISTOR PROTECTOR #34 TO WIPER SWITCH CASE)	4

E

12

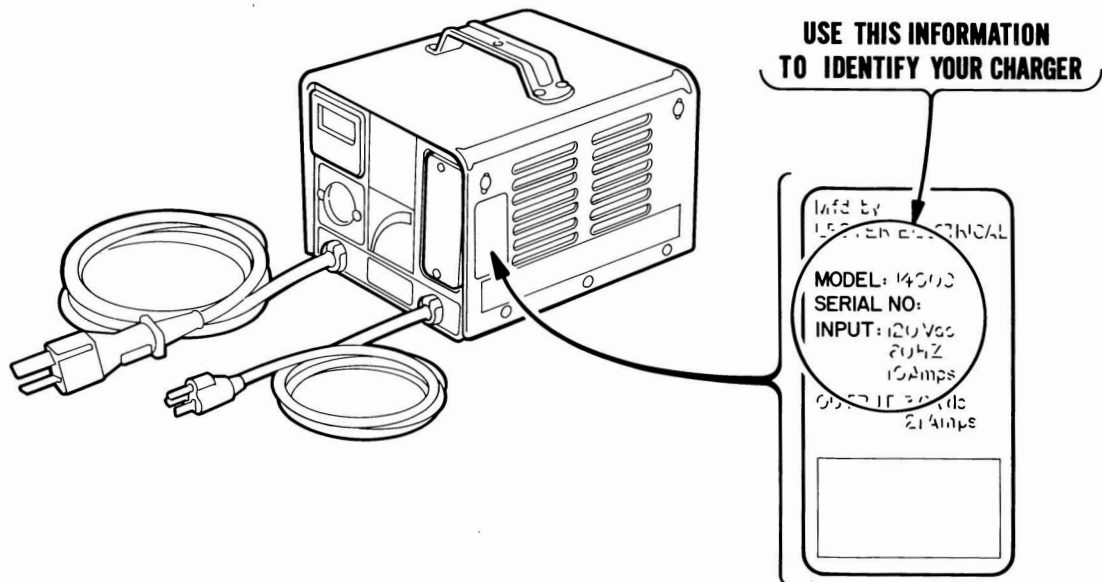


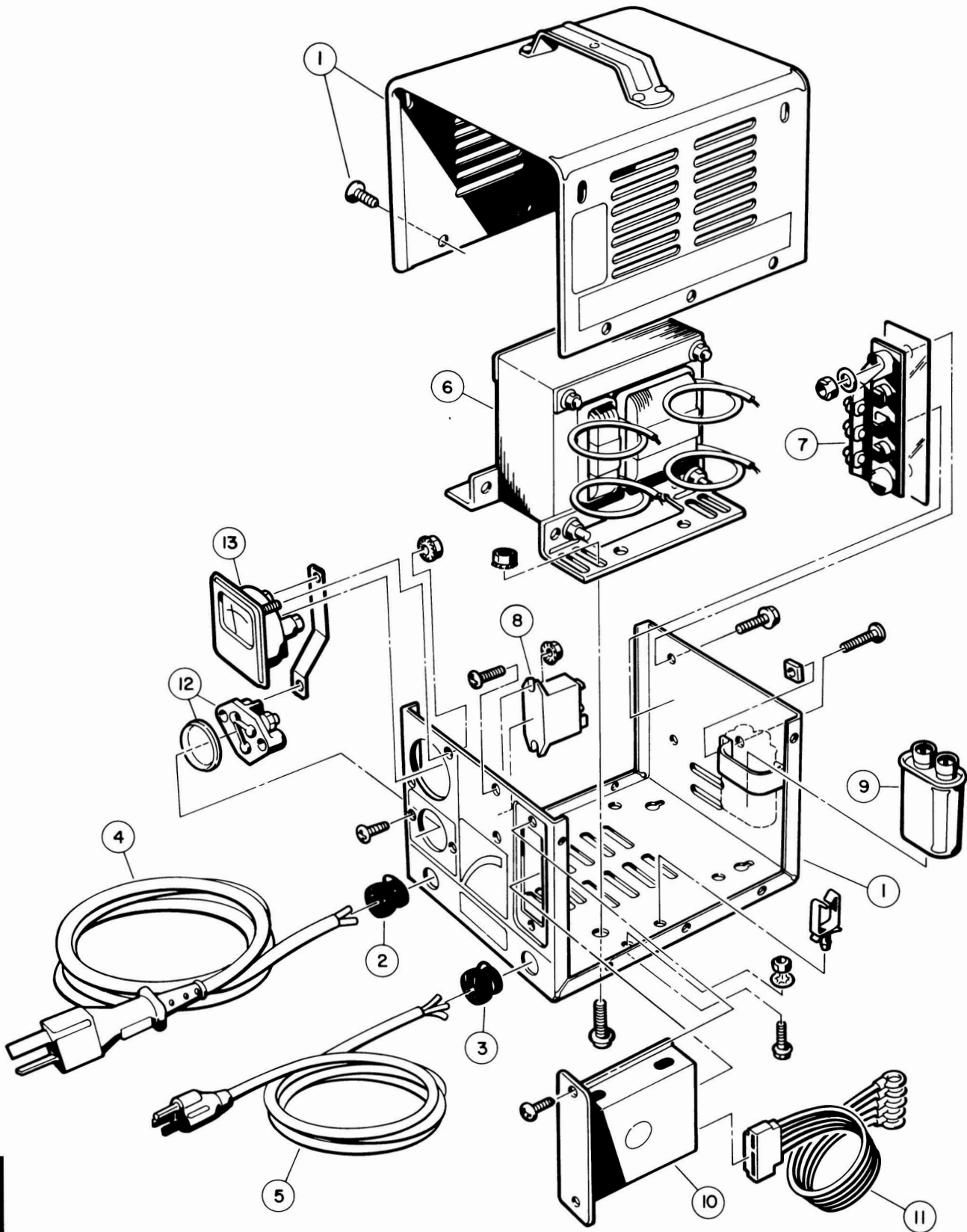
REVERSE BUZZER

ITEM NUMBER	PART NUMBER	1 2 3 4	DESCRIPTION	UNITS PER VEHICLE
1	1016851		REVERSE BUZZER	1
2	1016849		#4-24 X .330 SCREW, PAN HEAD HI-LO	2

Section 13

BATTERY CHARGER





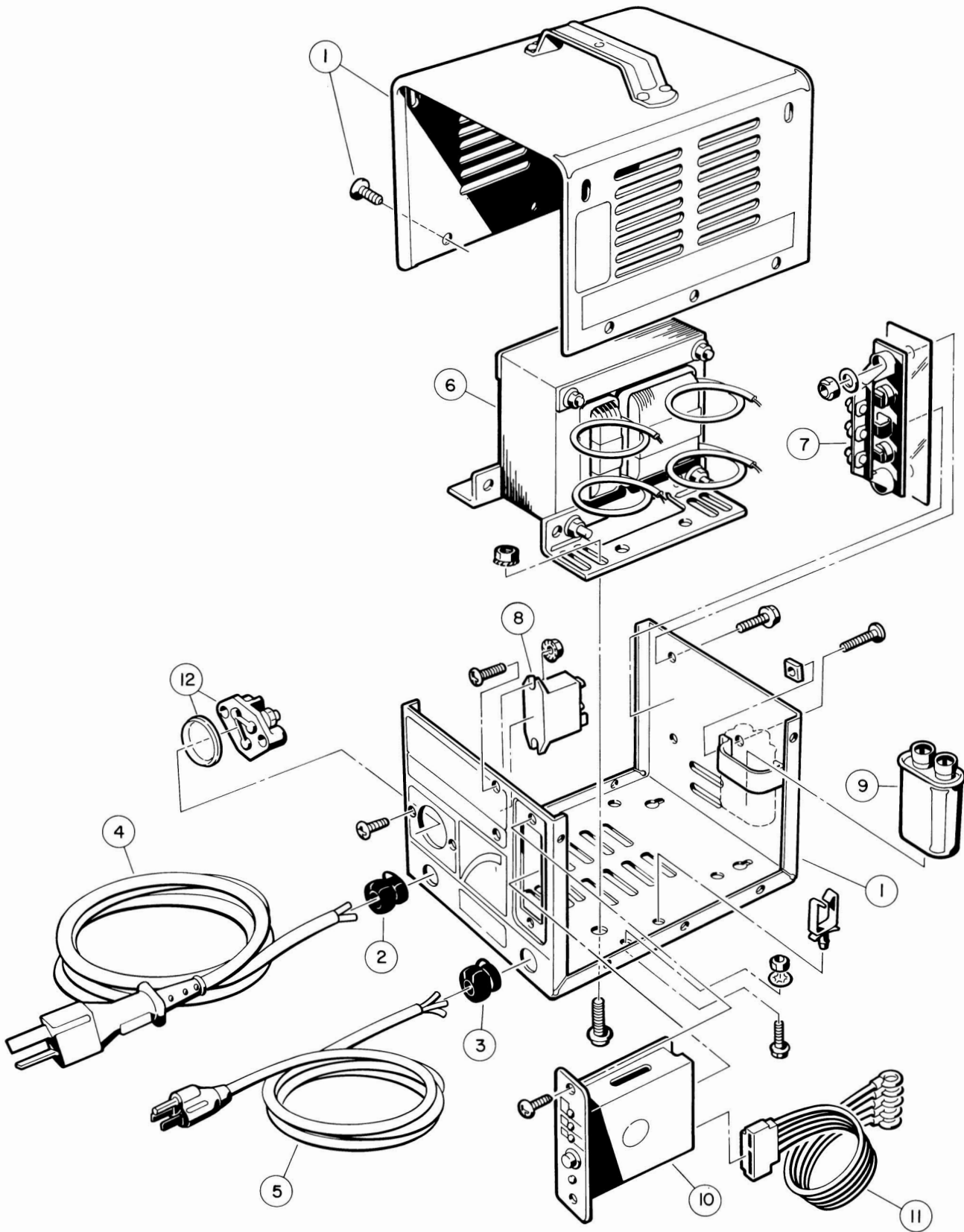
MODEL 13800 ACCU-POWER CHARGER

MODEL 13800 ACCU-POWER CHARGER

ITEM NUMBER	PART NUMBER	DESCRIPTION	UNITS PER VEHICLE
1	1015907	CASE ASSEMBLY INCLUDES FASTENERS	1
2	1012098	STRAIN RELIEF, 12 AWG DC CORD	1
2	1012042	STRAIN RELIEF, 10 AWG DC CORD	1
3	1015917	STRAIN RELIEF, AC CORD	1
4	1016433-01	DC CORDSET, 12 AWG X 110 INCHES LONG	1
4	1016433-02	DC CORDSET, 12 AWG X 146 INCHES LONG	1
4	1016433-03	DC CORDSET, 10 AWG X 242 INCHES LONG	1
4	1016433-04	DC CORDSET, 10 AWG X 110 INCHES LONG	1
5	1015916-01	AC CORDSET, 16 AWG X 80 INCHES LONG	1
5	1015916-02	AC CORDSET, 16 AWG X 110 INCHES LONG	1
6	1015912	TRANSFORMER ASSEMBLY	1
7	1015914	HEATSINK ASSEMBLY WITH DIODES	1
8	1015911	36 VDC RELAY	1
9	1015910	CAPACITOR	1
10	1015906	TIMER KIT ASSEMBLY	1
11	1015913	CONTROL CABLE ASSEMBLY	1
12	1012101	FUSE ASSEMBLY	1
13	1015905	AMMETER	1
	1016464	ACCU-POWER CHARGER ASSEMBLY INCLUDES ITEMS 1 THRU 3, 6 THRU 13, 1 OF ITEMS 4 AND 5	1

E

13



MODEL 14000 ULTRA-POWER CHARGER

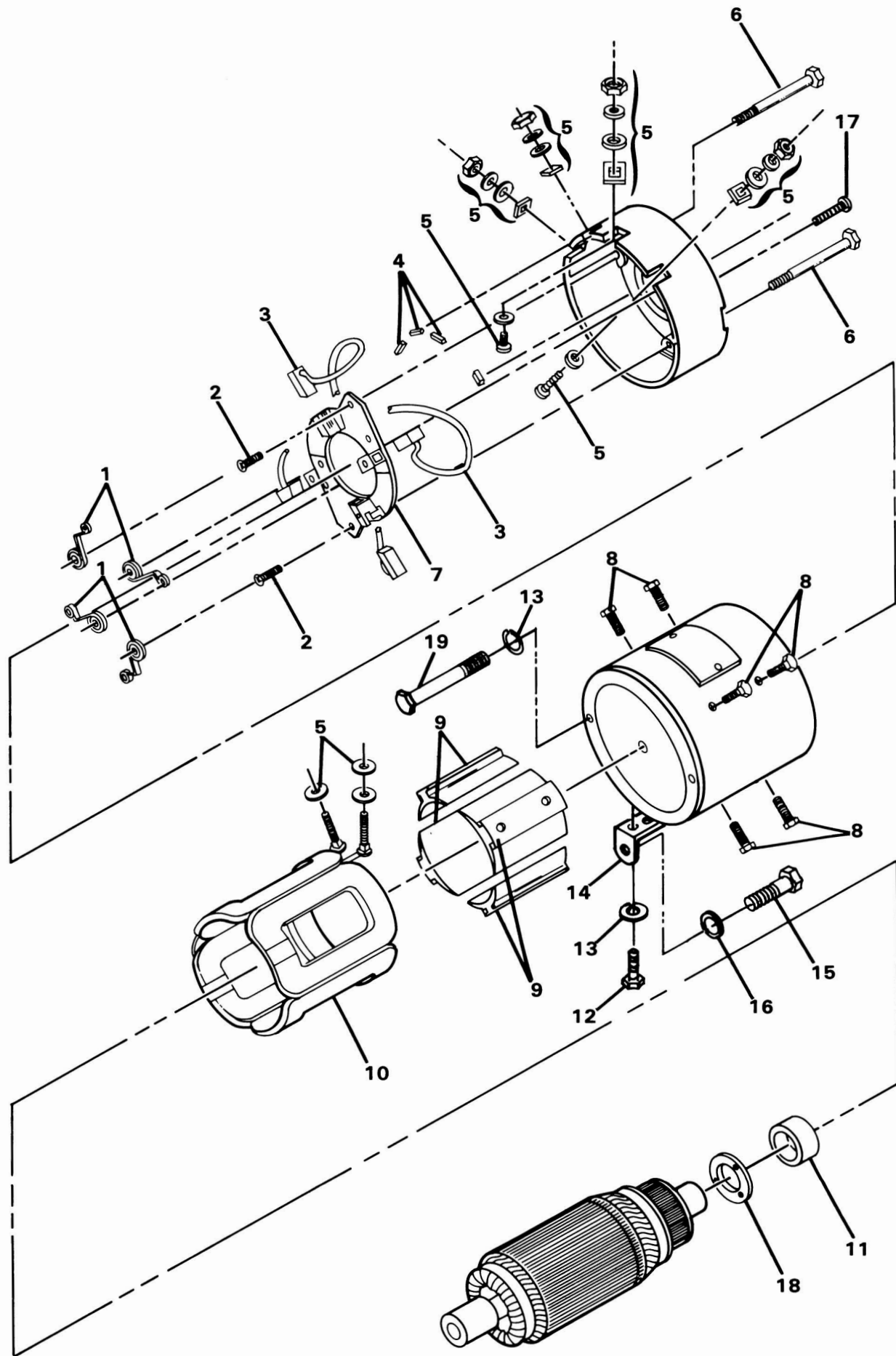
MODEL 14000 ULTRA-POWER CHARGER

ITEM NUMBER	PART NUMBER	1 2 3 4 DESCRIPTION	UNITS PER VEHICLE
1	1015909	CASE ASSEMBLY INCLUDES FASTENERS	1
2	1012098	STRAIN RELIEF, 12 AWG DC CORD	1
2	1012042	STRAIN RELIEF, 10 AWG DC CORD	1
3	1015917	STRAIN RELIEF, AC CORD	1
4	1016433-01	DC CORDSET, 12 AWG X 110 INCHES LONG	1
4	1016433-02	DC CORDSET, 12 AWG X 146 INCHES LONG	1
4	1016433-03	DC CORDSET, 10 AWG X 242 INCHES LONG	1
4	1016433-04	DC CORDSET, 10 AWG X 110 INCHES LONG	1
5	1015916-01	AC CORDSET, 16 AWG X 80 INCHES LONG	1
5	1015916-02	AC CORDSET, 16 AWG X 110 INCHES LONG	1
6	1015912	TRANSFORMER ASSEMBLY	1
7	1015914	HEATSINK ASSEMBLY WITH DIODES	1
8	1015911	36 VDC RELAY	1
9	1015910	CAPACITOR	1
10	1015908	TIMER KIT ASSEMBLY	1
11	1015913	CONTROL CABLE ASSEMBLY	1
12	1012101	FUSE ASSEMBLY	1
	1016463	ULTRA-POWER CHARGER ASSEMBLY INCLUDES ITEMS 1 THRU 3, 6 THRU 12, 1 OF ITEMS 4 AND 5	1

E

13

Section 14
MOTOR



MOTOR ASSEMBLY FOR CLUB CAR MODELS 1012191 AND 1014678

MOTOR ASSEMBLY FOR CLUB CAR MODELS 1012191 AND 1014678

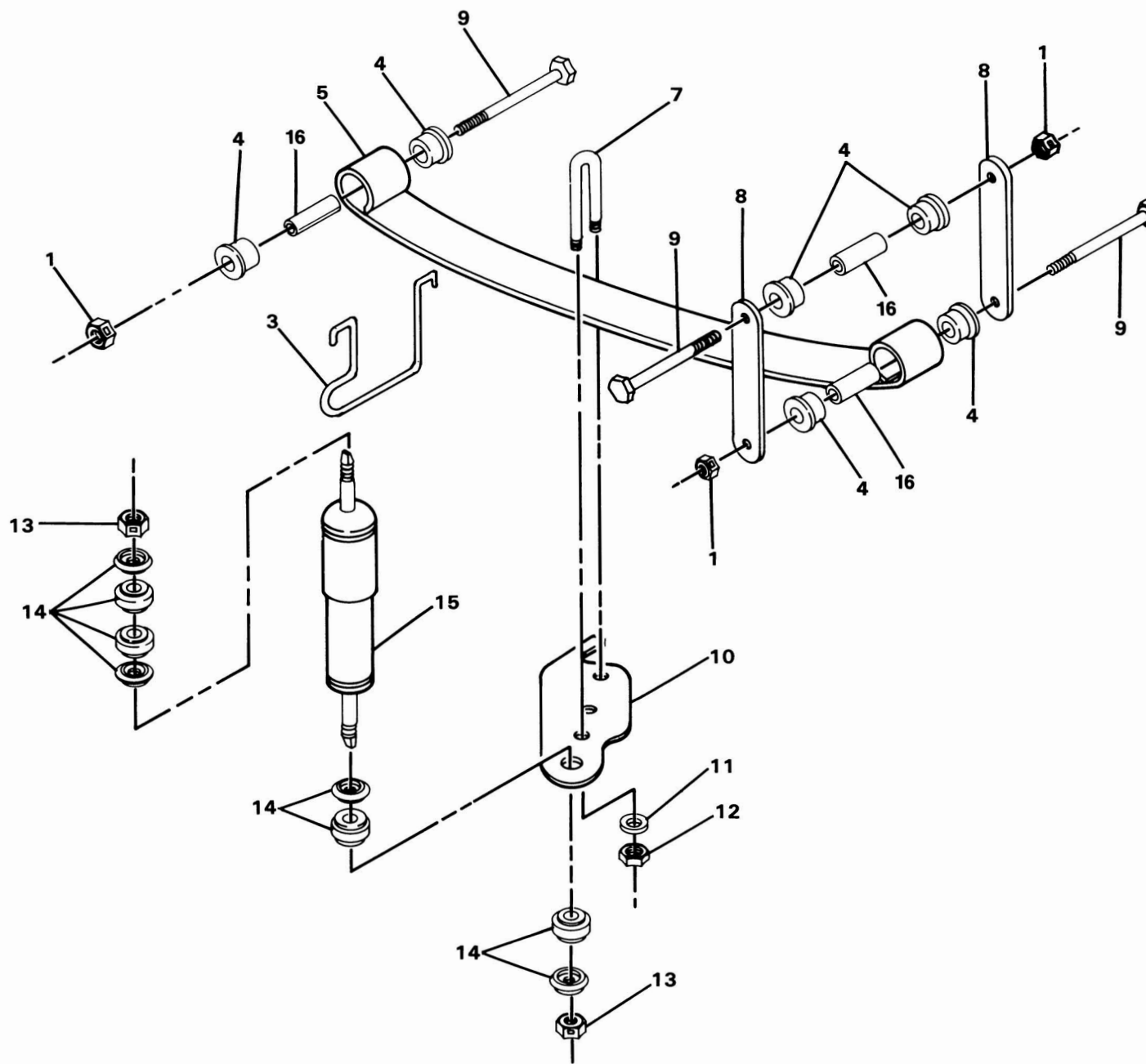
ITEM NUMBER	PART NUMBER	1 2 3 4				DESCRIPTION	UNITS PER VEHICLE
	1012191					MOTOR ASSEMBLY COMPLETE	1
1	1011411					BRUSH SPRING PACKAGE (4 PIECES)	1
2	1011283					SCREW, BRUSH RIGGING	2
3	1011410					BRUSH PACKAGE (4 PIECES)	1
4	1011409					RUBBER GASKET PACKAGE (4 PIECES)	2
5	1011407					HARDWARE KIT	4
6	1011275					MOTOR CLAMP SCREW (CE)	2
7	1011284					BRUSH RIGGING	1
8	1011412					SCREW, POLE PIECE PACKAGE (8 PIECES)	1
9	1011413					FIELD POLE PIECE PACKAGE (4 PIECES)	1
10	1011288					FIELD COILS, MODEL 1012191 — 2 HP	1
10	1011289					FIELD COILS, MODEL 1014678 — 3-1/2 HP	1
11	1011290					BALL BEARING, DOUBLE SHIELD	1
12	7847					BOLT, HEX HEAD, 1/4-20 X 3/4"	2
13	451					LOCKWASHER, 1/4"	5
14	1012177					MOTOR/AXLE CLIP	1
15	1010934					BOLT, HEX HEAD, 5/16-18 X 1"	1
16	7174					LOCKWASHER, 5/16"	1
17	1013893					SCREW, PAN HEAD, #8-32	3
18	1013894					RETAINER-BEARING	1
19	1014201					BOLT, HEX, 1/4-20 X 2-1/4"	3

E

14

Section 15

REAR SUSPENSION



REAR SUSPENSION ASSEMBLY

REAR SUSPENSION ASSEMBLY

ITEM NUMBER	PART NUMBER	1 2 3 4	DESCRIPTION	UNITS PER VEHICLE
1	1010138		DIMPLED LOCKNUT, 3/8-16 UNC	6
3	1013207		BRAKE CABLE SUPPORT	2
4	1015583		URETHANE BUSHING	12
5	1010974		REAR SPRING	2
7	1012180		"U" BOLT	2
8	7569		REAR SPRING SHACKLE	4
9	8755		BOLT, HEX, 3/8-16 UNC X 3-3/8"	6
10	1012181		SHOCK MOUNT, RIGHT HAND	1
10	1012182		SHOCK MOUNT, LEFT HAND	1
11	720		LOCKWASHER, 7/16"	4
12	8938		NUT, HEX, 7/16-14 UNC	4
13	1010145		NUT, HEX, 3/8-24 UNC	4
14	1011415		SHOCK ABSORBER CUSHION KIT	4
15	1014236		SHOCK	1
16	1012303		STEEL BUSHING	6
17	1013164		SHOCK ABSORBER KIT INCLUDES ITEMS 14 AND 15	1

E

15



Club Car, Inc.
P.O. Box 204658
Augusta, GA 30917-4658
USA

Web www.clubcar.com
Phone 1.706.863.3000
1.800.ClubCar
Int'l +1 706.863.3000
Fax 1.706.863.5808