

USING THE ILLUSTRATED PARTS LIST

This manual is to be used for identification and ordering of service parts for the DS Gasoline and DS Electric golf cars.

The first four (4) sections include information common to both the Gasoline and Electric vehicles. Section 5 through 11 contain information related solely to the Gasoline vehicles while Sections 12 through 15 relate solely to the Electric vehicles.

The manual numerical index will help provide quick reference to each section.

WARNING

This manual is to be used for identification and ordering of service parts only. Be sure to read and use the maintenance and service manual for any repair.

**4125 WASHINGTON ROAD
P.O. Box 4658
AUGUSTA, GEORGIA 30917-4658
USA
Telephone: 706-863-3000
TELEX 54-5444
FAX: 706-860-7231**

CONTENTS

MAINTENANCE AND SERVICE TOOLS

BODY AND TRIM	SECTION 1
Body and Trim	1-3
Fender Body Installation Gas	1-5
Fender Body Installation Electric	1-7
Covers Front	1-9
Covers Rear	1-11
Seat Back and Bag Hoop	1-13
Seat Bottom and Armrest - Electric Vehicle	1-14
Seat Bottom and Armrest - Gas Vehicle	1-15
TRANSAXLE	SECTION 2
.....	2-3
BRAKES, PEDAL, AND CABLE ASSEMBLY	SECTION 3
Brakes Cluster, Right and Left Hand	3-3
Brakes Pedal and Cable Assembly	3-5
Accelerator Pedal Assembly	3-7
STEERING AND FRONT SUSPENSION	SECTION 4
Steering Column - Aluminum	4-3
Steering Assembly	4-5
Front Suspension Assembly - Delta A-Plate	4-7
ELECTRICAL AND BATTERY	SECTION 5
Wiring - Gas Vehicle	5-3
Electrical Component Box	5-5
Starter Generator Assembly	5-7
F&R Shifter Assembly	5-9
Starter Generator - Mounting	5-10
Reverse Buzzer	5-11
Battery	5-12
ENGINE	SECTION 6
Engine	6-3 - 6-13
FUEL AND INTAKE SYSTEM	SECTION 7
Fuel System Assembly	7-3
Carburetor Assembly	7-5
Governor Guard and Intake Hose	7-7
Expansion Chamber, Choke, and Filter	7-9
Governor and Accelerator Cables	7-11
EXHAUST SYSTEM	SECTION 8
Exhaust System	8-3
TORQUE CONVERTER	SECTION 9
Drive Clutch Assembly	9-3
Driven Clutch Assembly	9-5
TRANSMISSION	SECTION 10
Transmission Assembly	10-3
REAR SUSPENSION	SECTION 11
Rear Suspension Assembly	11-3
Inner Frame Assembly	11-5
ELECTRICAL - ELECTRICAL VEHICLE	SECTION 12
Power Wiring - Electric Wiring	12-3
V-Glide Wiper Switch	12-5
Resistor and Board Assembly - V-Glide	12-7
Forward and Reverse Switch Assembly - V-Glide	12-9
Power Wiring - Solid State Controller	12-11
Forward and Reverse Switch - Solid State Controller	12-13
V-Glide Wiper Switch - Solid State Controller	12-15
Reverse Buzzer	12-16
CHARGER	SECTION 13
Model 13800 Accu-Power	13-3
Model 14000 Ultra-Power	13-5
MOTOR	SECTION 14
CLUB CAR Models 5BC48JB764 and 5BC48JB771	14-3
CLUB CAR Models 5BC58JBS6163 and 5BC58JBS6215	14-5
REAR SUSPENSION ASSEMBLY - ELECTRIC VEHICLE	SECTION 15
Rear Suspension Assembly - Electric Vehicle	15-3



MAINTENANCE AND SERVICE TOOLS

DESCRIPTION	PART NO.
Internal Retaining Pliers	1013593
Brake Adjusting Tool	1013582
Volt Ohm Meter	1011480
Continuity Tester	1011273
Retaining Ring Pliers (45° External)	1012549
Retaining Ring Pliers (90° Internal)	1012560
Keyswitch Tool	1012801
Seal Puller	1012809
Bearing Puller	1012811
Bearing Puller Wedge Attachment	1012812
Tachometer	1016112
Drive Clutch Puller	1014496
Clutch Alignment Tool	1014498
Touch-up Paint- Beige	1017097-01
Transmission Tool Kit	1014115
TransAxle Pinion Seal Tool	1014161
TransAxle Axle Seal Tool	1014162
Steering Column Bearing Press Tool	1014264
Steering Column Retaining Ring Tool	1014259
Battery Terminal Protector	1014305
Dry Moly Lubricant	1012151
Flexible Cowl Repair Kit	1014963
Hydrometer	1011478
Battery Tester (Discharge Machine)	1010687
Battery Thermometer	1011767
Fly Wheel Puller Kit	1016627
Valve Seat Cutter 45° (32mm Diameter)	1016553
Valve Seat Cutter 45° (32mm Diameter)	1016554
Valve Seat Cutter 32° (35mm Diameter)	1016555
Clutch Tool Kit	1014510
Spring Tune-Up Kit (OHV Engine)	1016110-02
Compression Gauge	1016410-01
Adapter	1016410-02
Valve Spring Compression	1016411-01
Adapter	1016411-02
Valve Guide Reamer	1016412-01
Arbor	1016412-02
Valve Clearance Adjuster Screw Holder	1016413
Piston Ring Compressor Kit	1016414
Piston Ring Plier	1016415
Bearing Driver Set	1016416
Bearing and Oil Seal Remover Assembly	1016417
Gear Yoke	1016418
Generator Belt Tension Tool	1016867
Muffler Spring Tool	1016712
Armorflex Repair Kit	1017295
Adhesion Promoter - Armorflex	1016985

Please refer to the Maintenance and Service Manual for proper tool application.



INDEX

GASOLINE



G

ELECTRIC



E

BODY AND TRIM — FRONT AND REAR



1

TRANSAXLE



2

BRAKES, PEDAL, AND CABLE ASSEMBLY

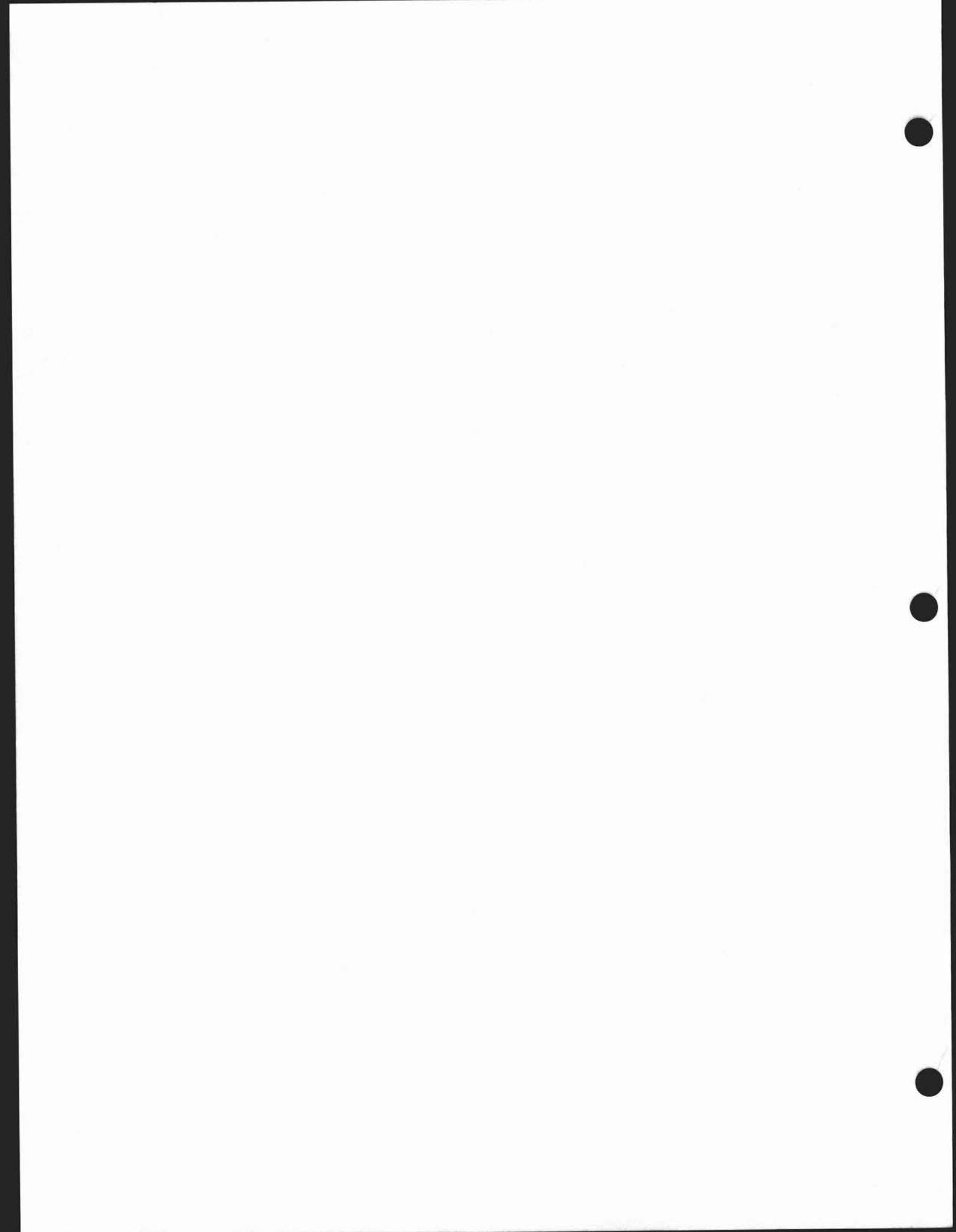


3

STEERING AND FRONT SUSPENSION



4










INDEX

GASOLINE



G

ELECTRICAL AND BATTERY		5
ENGINE		6
FUEL, INTAKE, AND GOVERNOR SYSTEM		7
EXHAUST SYSTEM		8
TORQUE CONVERTER		9
TRANSMISSION AND GOVERNOR		10
REAR SUSPENSION		11







INDEX

ELECTRIC



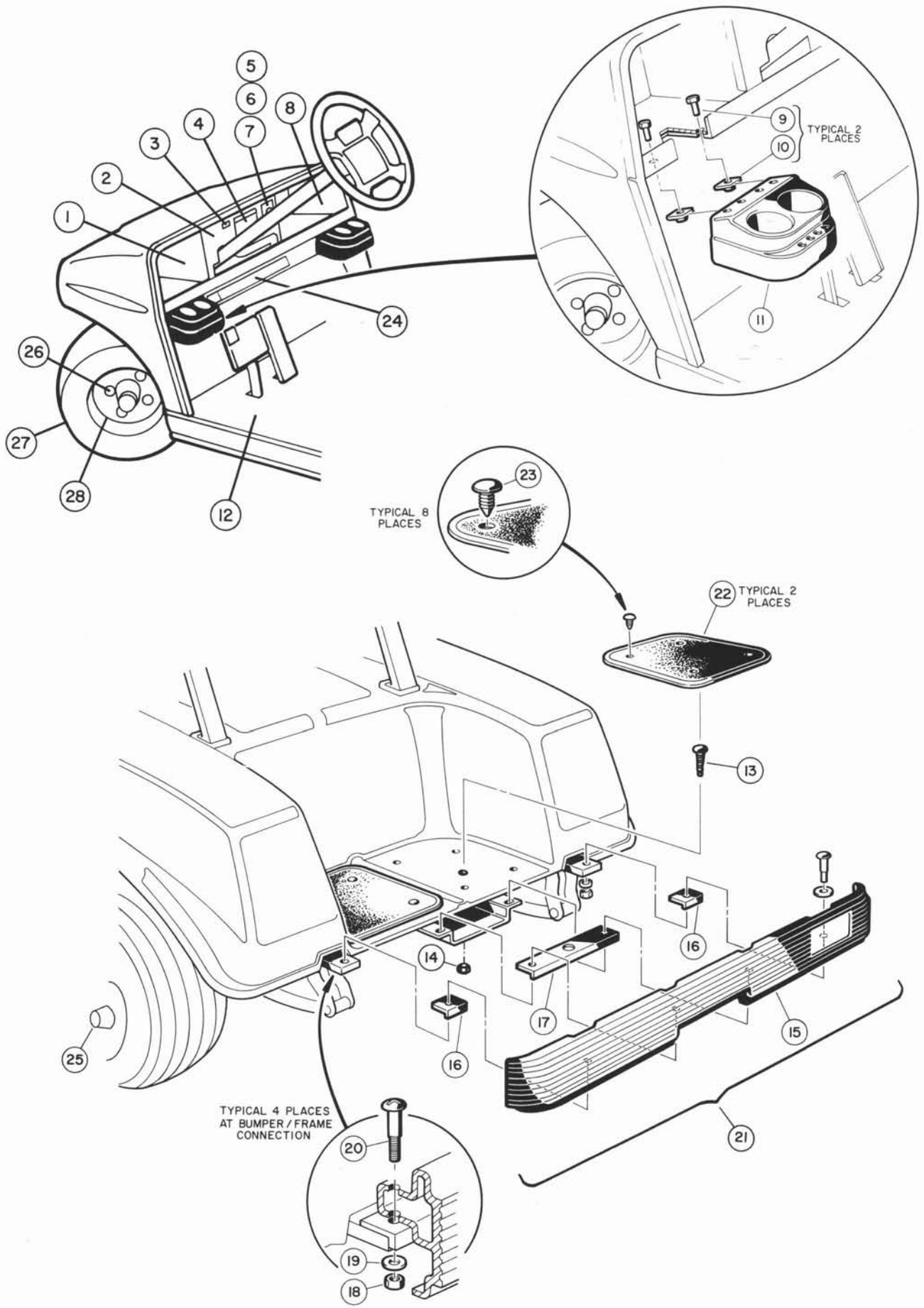
E

ELECTRICAL		12
BATTERY CHARGER		13
MOTOR		14
REAR SUSPENSION		15



Section 1

**BODY AND TRIM
FRONT AND REAR COVERS**



BODY AND TRIM

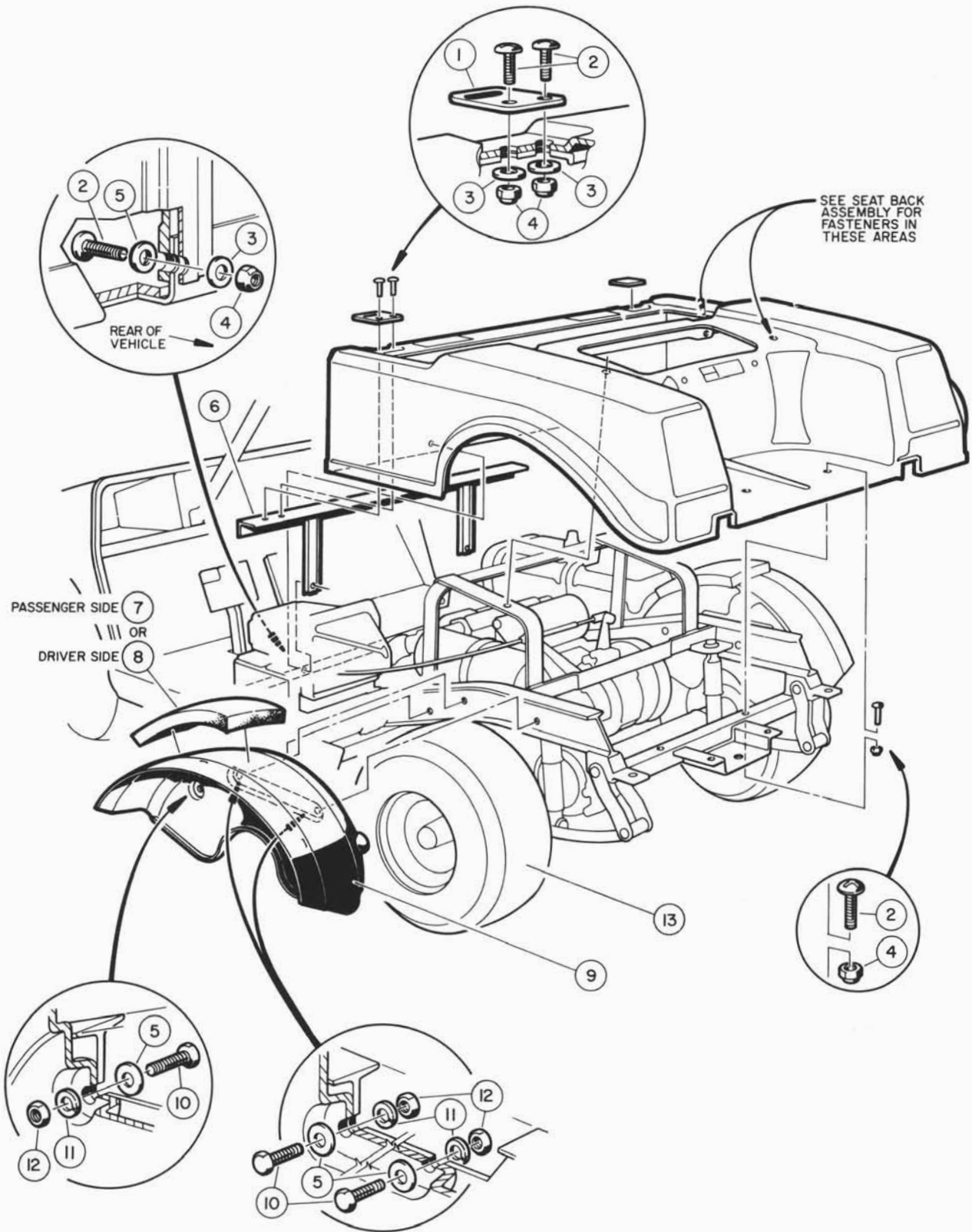
BODY AND TRIM

G

E

1

ITEM NUMBER	PART NUMBER	DESCRIPTION	UNITS PER VEHICLE	
			GAS	ELEC.
1	1013980	DASH COMPONENT, LEFT (TAN)	1	1
1	1013344	DASH COMPONENT, LEFT (BLACK)	1	1
2	1016604-01	CENTER DASH PANEL (TAN)		1
2	1016620-01	CENTER DASH PANEL WITH OIL LIGHT OPENING (TAN)	1	
2	1016604-02	CENTER DASH PANEL (BLACK)		1
2	1016620-02	CENTER DASH PANEL WITH OIL LIGHT OPENING (BLACK)	1	
2	1016620-03	CENTER DASH PANEL WITH OIL AND FUEL GAUGE (BLACK)	1	
3	1016630	OIL LIGHT	1	
4	1013390	DECAL, GOLF ETIQUETTE	1	1
5	1012415	SWITCH, KEY (INCLUDES 2 KEYS) 12 VOLT	1	
5	1012531	SWITCH, KEY (INCLUDES 2 KEYS) 36 VOLT		1
6	1012505	KEY	PAIR	PAIR
7	1012530	DECAL, ON/OFF	1	1
8	1013979	DASH COMPONENT, RIGHT (TAN)	1	1
8	1013343	DASH COMPONENT, RIGHT (BLACK)	1	1
9	7847	BOLT, 1/4-20x3/4	2	2
10	1016952	1/4-20 U-NUT	2	2
11	1017083-01	DRINK HOLDER KIT INCLUDES ITEMS 8 AND 9	2	2
12	1015032	MAT, FLOOR	1	1
13	8251	PHILLIPS TRUSS HEAD SCREW, 1/4-20	2	2
14	8233	NYLON LOCKNUT, 1/4-20	2	2
15	1016379	REAR BUMPER	1	1
16	1016874	MOUNTING PLATE - SHORT	2	2
17	1016875	MOUNTING PLATE - LONG	2	2
18	7473	NYLON LOCKNUT, 5/16-18	4	4
19	1241	FLATWASHER, 5/16 DIAMETER	4	4
20	1016876	PHILLIPS TRUSS HEAD SHOULDER BOLT, 3/8-58	4	4
21	1017079	REAR BUMPER KIT INCLUDES ITEMS 15-20	1	1
22	1014392	MAT, BAG WELL	2	2
23	1010434	PLASTIC BARREL FASTENER	8	8
24	1014883	DASH WARNING DECAL	1	1
25	1012186	DUST SEAL (REAR WHEELS ONLY)	2	2
26	1011390	LUG NUT PACKAGE (8 PIECES)	2	2
27	1015705-01	TIRE AND WHEEL ASSEMBLY, BEIGE, RIB TERRA	4	4
27	1015705-02	TIRE AND WHEEL ASSEMBLY, BEIGE, POWER RIB	4	4
27	1015705-03	TIRE AND WHEEL ASSEMBLY, BEIGE, SOFTRAC	4	4
27	1015705-04	TIRE AND WHEEL ASSEMBLY, BEIGE, WHITE WALL POWER RIB	4	4
27	1015705-05	TIRE AND WHEEL ASSEMBLY, BEIGE, TERRAGARD	4	4
27	1016514-01	TIRE AND WHEEL ASSEMBLY, WHITE, RIB TERRA	4	4
27	1016514-02	TIRE AND WHEEL ASSEMBLY, WHITE, POWER RIB	4	4
27	1016514-03	TIRE AND WHEEL ASSEMBLY, WHITE, SOFTRAC	4	4
27	1016514-04	TIRE AND WHEEL ASSEMBLY, WHITE, WHITE WALL POWER RIB	4	4
27	1016514-05	TIRE AND WHEEL ASSEMBLY, WHITE, TERRAGARD	4	4
27	1016514-06	TIRE AND WHEEL ASSEMBLY, WHITE, POWER CUSHION, 6 PLY	4	4
27	1016514-07	TIRE AND WHEEL ASSEMBLY, WHITE, SOFTRAC, 6 PLY	4	4
28	1015707	WHEEL RIM, BEIGE (UNMOUNTED RIM NOT SHOWN)	4	4
28	1014771	WHEEL RIM, WHITE (UNMOUNTED RIM NOT SHOWN)	4	4

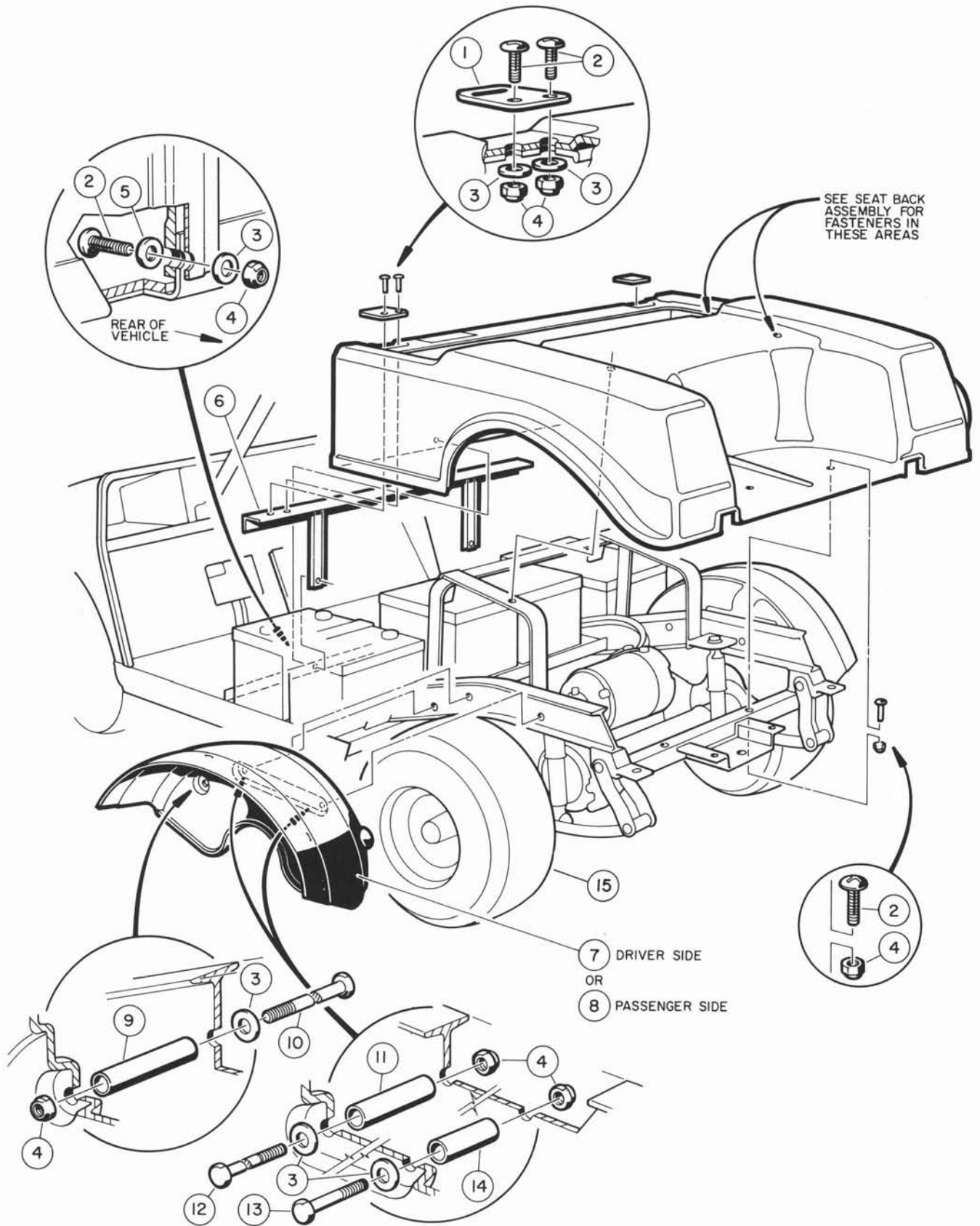


FENDER BODY INSTALLATION - GASOLINE VEHICLE

FENDER BODY INSTALLATION - GASOLINE VEHICLE

ITEM NUMBER	PART NUMBER	DESCRIPTION				UNITS PER VEHICLE
		1	2	3	4	
1	1012412	HINGE PLATE BODY				2
2	8251	PHILLIP HEAD SCREW, 1/4-20 X 1"				8
3	332	FLATWASHER, 1/4 DIAMETER				12
4	8233	NYLON LOCKNUT, 1/4-20				8
5	1014528	PLASTIC WASHER, 1/4 DIAMETER				2
6	1017141	BODY SUPPORT FRONT				1
7	1015422	SOUND INSULATION RIGHT SIDE FENDER				1
8	1015421	SOUND INSULATION LEFT SIDE FENDER				1
9	1013103	INNER FENDER				2
10	304	HEX HEAD CAP SCREW, 1/4-20 X 1"				6
11	451	LOCKWASHER, 1/4 DIAMETER				6
12	1028	HEX NUT, 1/4-20				6
13	1015672	TIRE - UNMOUNTED, POWER RIB				A/R
13	1015674	TIRE - UNMOUNTED, SOFTRAC				A/R
13	7271	TIRE - UNMOUNTED, RIB TERRA				A/R
13	1017370	TIRE - UNMOUNTED, POWER CUSHION, 6 PLY				A/R
13	1017693	TIRE - UNMOUNTED, SOFTRAC, 6 PLY				A/R

G
E
1

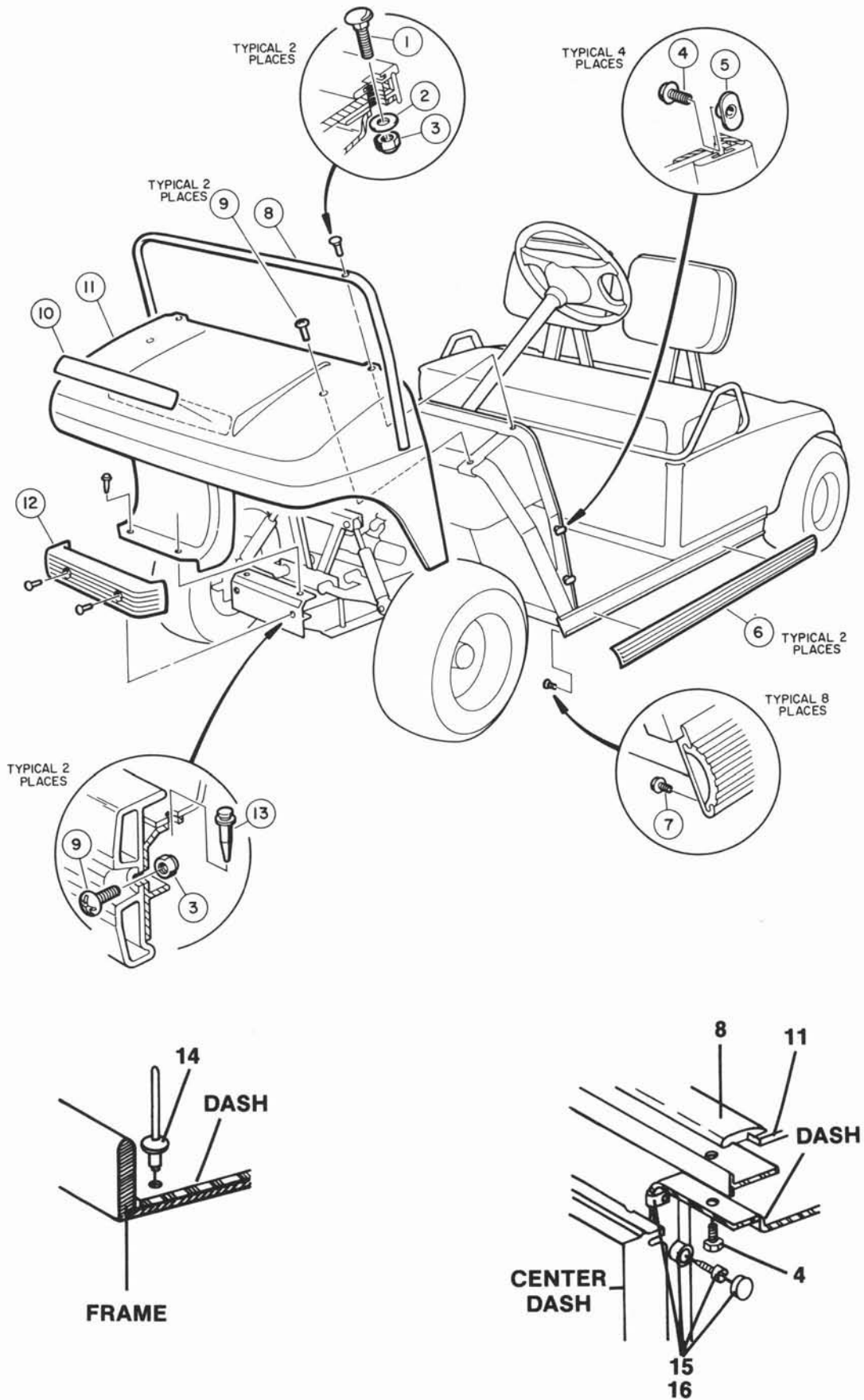


FENDER BODY INSTALLATION - ELECTRIC VEHICLE

FENDER BODY INSTALLATION - ELECTRIC VEHICLE

G
E
1

ITEM NUMBER	PART NUMBER	DESCRIPTION	UNITS PER VEHICLE
1	1012412	HINGE PLATE BODY	2
2	8251	PHILLIPS HEAD SCREW, 1/4-20 X 1"	8
3	332	FLATWASHER, 1/4 DIAMETER	12
4	8233	NYLON LOCKNUT, 1/4-20	8
5	1014528	FLATWASHER, 1/4 DIAMETER	2
6	1017141	BODY SUPPORT FRONT	1
7	1013103	INNER FENDER, DRIVER SIDE	1
8	1013103	INNER FENDER, PASSENGER SIDE	1
9	1013508	POLYTHYLENE SPACER, 2-3/4"	2
10	1012462	HEX HEAD CAP SCREW, 1/4-20 X 3-1/2"	2
11	1013506	POLYTHYLENE SPACER, 2-1/8"	2
12	343	HEX HEAD CAP SCREW, 1/4-20 X 3"	2
13	1013509	HEX HEAD CAP SCREW, 1/4-20 X 1-3/4"	2
14	1013507	SPACER, 1"	2
15	1015672	TIRE - UNMOUNTED, POWER RIB	A/R
15	1015674	TIRE - UNMOUNTED, SOFTRAC	A/R
15	7271	TIRE - UNMOUNTED, RIB TERRA	A/R
15	1017370	TIRE - UNMOUNTED, POWER CUSHION, 6 PLY	A/R
15	1017693	TIRE - UNMOUNTED, SOFTRAC, 6 PLY	A/R



COVER - FRONT

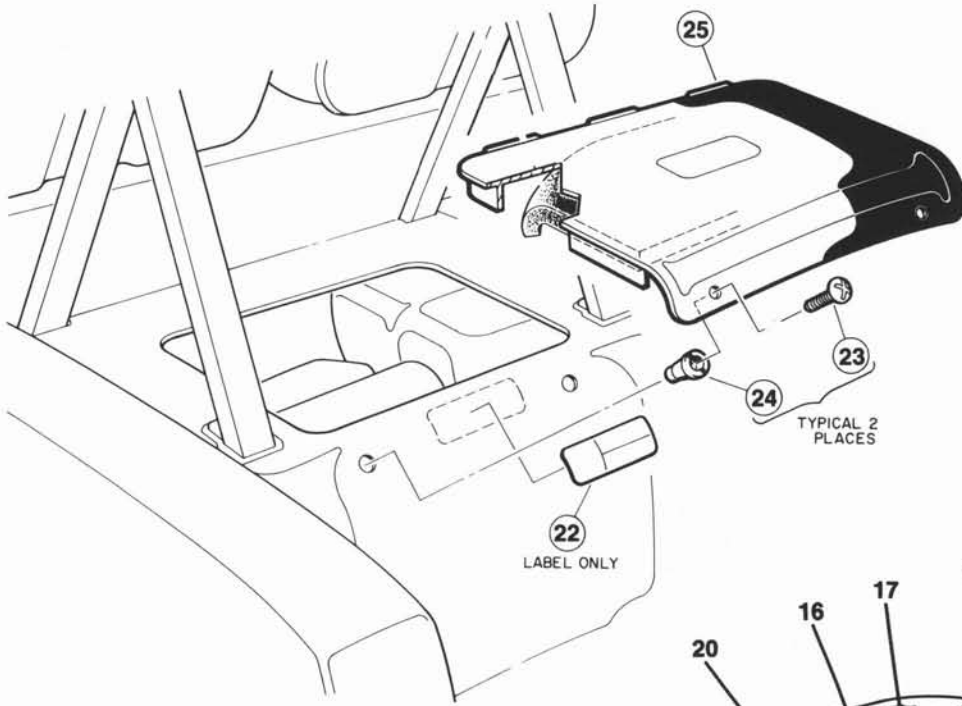
COVER - FRONT

G

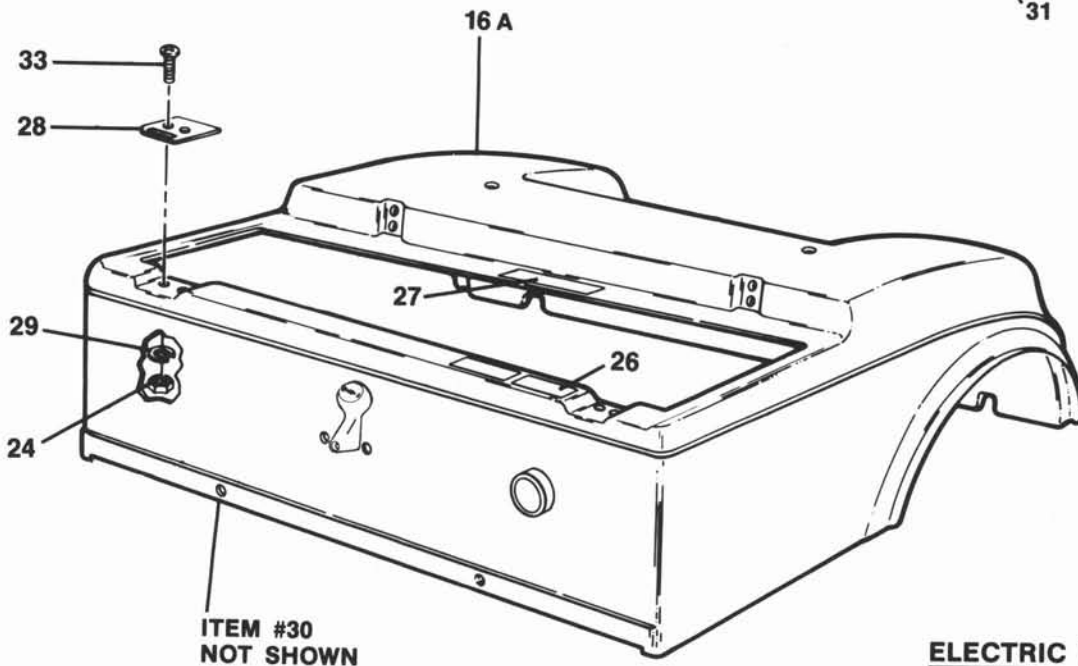
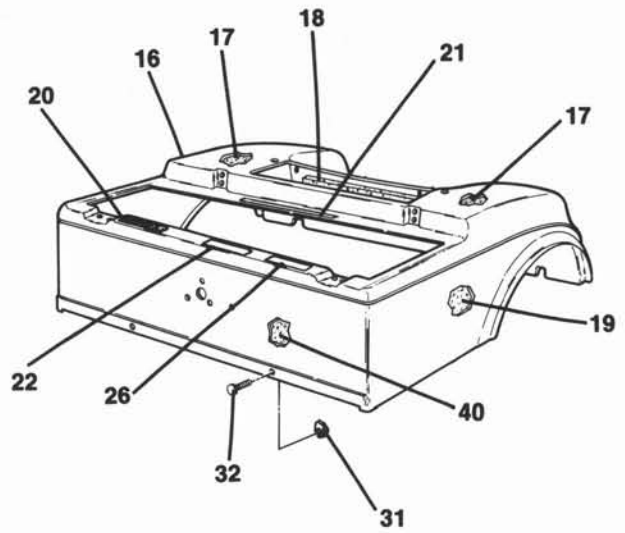
E

1

ITEM NUMBER	PART NUMBER	DESCRIPTION	UNITS PER VEHICLE
1	1010435	ROUND HEAD SQUARE NECK BOLT, 5/16-18 X 1"	2
2	1241	FLATWASHER, 5/16 DIAMETER	2
3	7473	NYLON LOCKNUT, 5/16-18	2
4	1011017	FLANGE LOCK SCREW	6
5	1011394	SLAB BASE "T" NUT PACKAGE (4 PIECES)	1
6	1013983	BUMPER SIDE GUARD	2
7	1012047	SELF TAPPING SCREW, #8-32	8
8	1011014	FRONT BODY, TRIM	1
9	7251	PHILLIPS TRUSS HEAD SCREW, 5/16-18 X 1.00	2
10	1014198	NAMEPLATE KIT	1
11	1016925-01	FRONT BODY, BEIGE	1
11	1016925-02	FRONT BODY, WHITE	1
11	1016925-04	FRONT BODY, GRAY	1
11	1016925-05	FRONT BODY, GREEN	1
11	1016925-06	FRONT BODY, RED	1
11	1016925-07	FRONT BODY, LIGHT BLUE	1
11	1016939-01	FRONT BODY WITH HEADLIGHT OPENING, BEIGE	1
11	1016939-02	FRONT BODY WITH HEADLIGHT OPENING, WHITE	1
11	1016939-04	FRONT BODY WITH HEADLIGHT OPENING, GRAY	1
11	1016939-05	FRONT BODY WITH HEADLIGHT OPENING, GREEN	1
11	1016939-06	FRONT BODY WITH HEADLIGHT OPENING, RED	1
11	1016939-07	FRONT BODY WITH HEADLIGHT OPENING, LIGHT BLUE	1
12	1016868	BUMPER FRONT	1
13	1016967	BLIND RIVET	2
14	7973	POP RIVET, 3/16 X 1/2"	7
15	1013986	SNAP WASHER KIT (BROWN)	2
16	1014645	SNAP WASHER KIT (BLACK)	2
	1017080	FRONT BUMPER KIT INCLUDES ITEMS 3, 9, AND 12	1



GASOLINE VEHICLE



ELECTRIC VEHICLE

COVERS - REAR

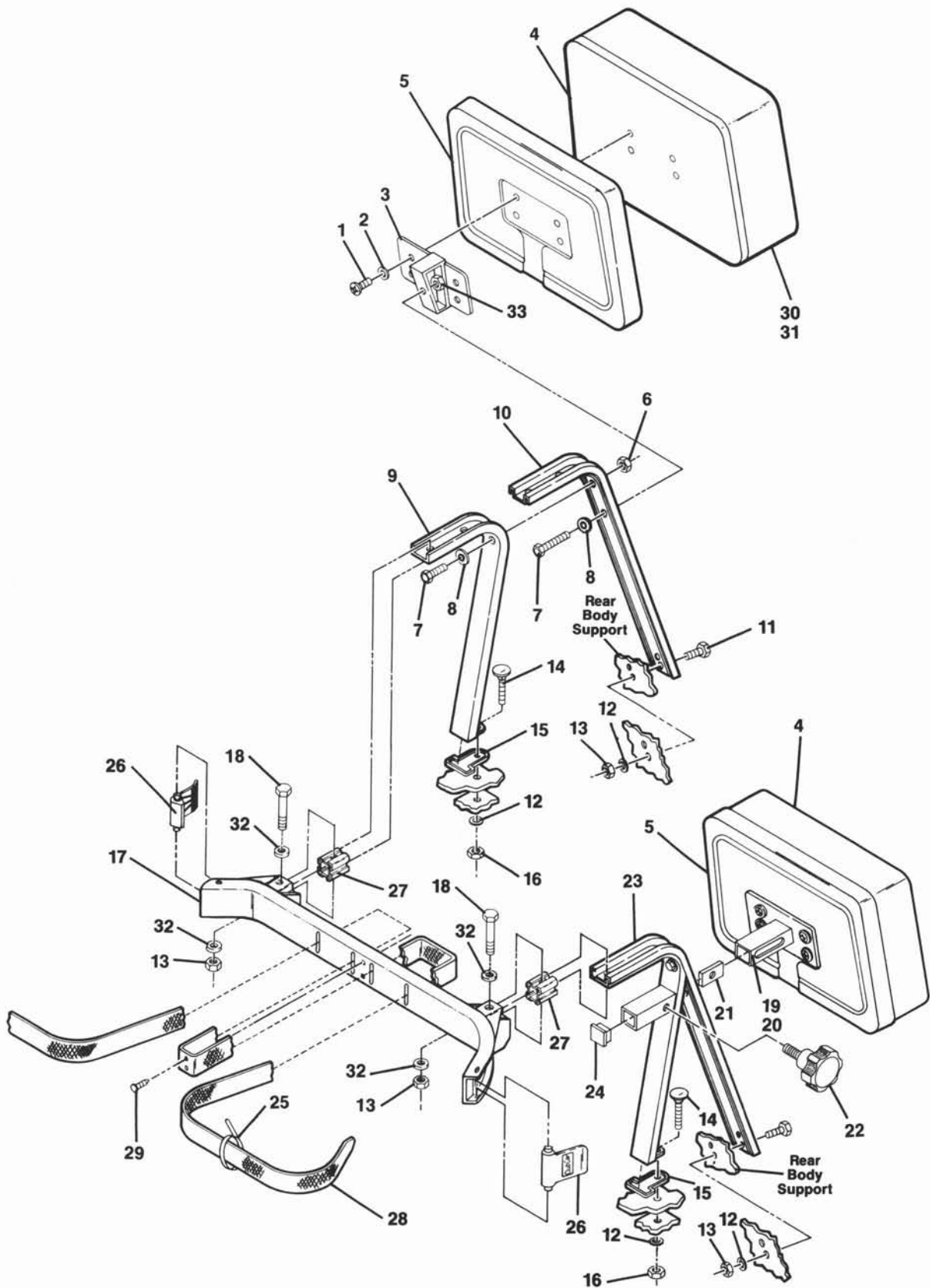
COVERS - REAR

G

E

1

ITEM NUMBER	PART NUMBER	1 2 3 4	DESCRIPTION	UNITS PER VEHICLE	UNITS PER VEHICLE
				GAS	ELEC.
16	1016926-01		BODY, BEIGE, GASOLINE VEHICLE	1	
16	1016926-02		BODY, WHITE, GASOLINE VEHICLE	1	
16	1016926-04		BODY, GRAY, GASOLINE VEHICLE	1	
16	1016926-05		BODY, GREEN, GASOLINE VEHICLE	1	
16	1016926-06		BODY, RED, GASOLINE VEHICLE	1	
16	1016926-07		BODY, LIGHT BLUE, GASOLINE VEHICLE		1
16A	1016933-01		BODY, BEIGE, ELECTRIC VEHICLE		1
16A	1016933-02		BODY, WHITE, ELECTRIC VEHICLE		1
16A	1016933-04		BODY, GRAY, ELECTRIC VEHICLE		1
16A	1016933-05		BODY, GREEN, ELECTRIC VEHICLE		1
16A	1016933-06		BODY, RED, ELECTRIC VEHICLE		1
16A	1016933-07		BODY, LIGHT BLUE, ELECTRIC VEHICLE		1
16A	1016962-01		BODY WITH TAIL LIGHT OPENINGS, BEIGE, ELECTRIC VEHICLE		1
16A	1016962-02		BODY WITH TAIL LIGHT OPENINGS, WHITE, ELECTRIC VEHICLE		1
16A	1016962-04		BODY WITH TAIL LIGHT OPENINGS, GRAY, ELECTRIC VEHICLE		1
16A	1016962-05		BODY WITH TAIL LIGHT OPENINGS, GREEN, ELECTRIC VEHICLE		1
16A	1016962-06		BODY WITH TAIL LIGHT OPENINGS, RED, ELECTRIC VEHICLE		1
16A	1016962-07		BODY WITH TAIL LIGHT OPENINGS, LIGHT BLUE, ELECTRIC VEHICLE		1
16	1016926-08		BODY WITH TAIL LIGHT OPENINGS, BEIGE, GASOLINE VEHICLE	1	
16	1016926-09		BODY WITH TAIL LIGHT OPENINGS, WHITE, GASOLINE VEHICLE	1	
16	1016926-11		BODY WITH TAIL LIGHT OPENINGS, GRAY, GASOLINE VEHICLE	1	
16	1016926-12		BODY WITH TAIL LIGHT OPENINGS, GREEN, GASOLINE VEHICLE	1	
16	1016926-13		BODY WITH TAIL LIGHT OPENINGS, RED, GASOLINE VEHICLE	1	
16	1016926-14		BODY WITH TAIL LIGHT OPENINGS, LIGHT BLUE, GASOLINE VEHICLE	1	
17	1015420		SOUND INSULATION BODY RIGHT/LEFT FENDER	2	
18	1015419		SOUND INSULATION BAGWELL AREA	1	
19	1017113		SOUND INSULATION LEFT SIDE	1	
20	1015476		GASOLINE TANK DANGER LABEL	1	
21	1017257		HOT MANIFOLD/MUFFLER LABEL	1	
22	1015475		WARNING: MOVING PARTS DECAL - GASOLINE VEHICLES	2	
23	1017114		PHILLIPS HEAD SCREW (BLACK), 1/4-20 X 1	8	8
24	8233		NYLON LOCKNUT, 1/4-20	4	4
24	1015525		BLIND NUT, 1/4-20	2	
25	1015829-01		ACCESS DOOR ASSEMBLY (BEIGE) KIT	1	
25	1015829-02		ACCESS DOOR ASSEMBLY (BLACK) KIT	1	
26	1013677		BATTERY DANGER DECAL		1
27	1013496		RESISTOR WARNING DECAL		1
28	1012412		HINGE PLATE	2	2
29	332		FLATWASHER, 1/4 DIAMETER	4	4
30	1017220		BODY SUPPORT RETROFIT KIT (NOT SHOWN) INCLUDES (ITEMS 34 THRU 39)	1	1
31	1016952		U-NUT, 1/4-20	2	2
32	1014415		TORX TRUSS HEAD SCREW, 1/4-20 X 3/4	2	2
33	8251		PHILLIPS HEAD SCREW, 1/4-20 X 1	4	4
34	1017141		BODY SUPPORT FRONT (NOT SHOWN)	1	1
35	1017138		BODY SUPPORT REAR (NOT SHOWN)	1	1
36	1014528		PLASTIC FLATWASHER, 1/4 DIAMETER	2	2
37	332		FLATWASHER, 1/4 DIAMETER	6	6
38	8251		PHILLIPS TRUSS HEAD SCREW, 1/4-20 X 1"	6	6
39	8233		LOCKNUT, 1/4 -20	6	6
40	1016963		SOUND INSULATION FRONT	1	



SEAT BACK AND BAG HOOP

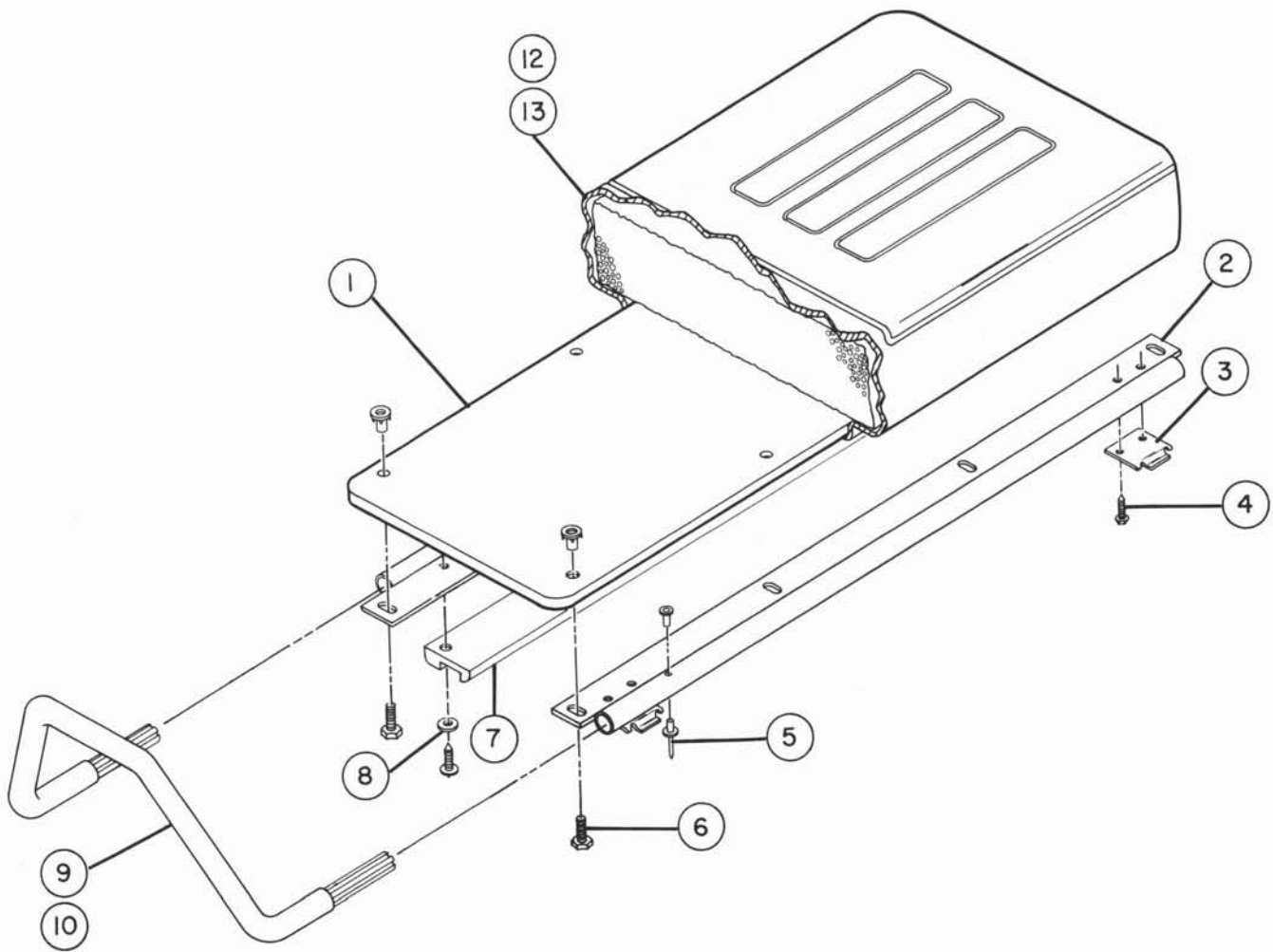
SEAT BACK AND BAG HOOP

G

E

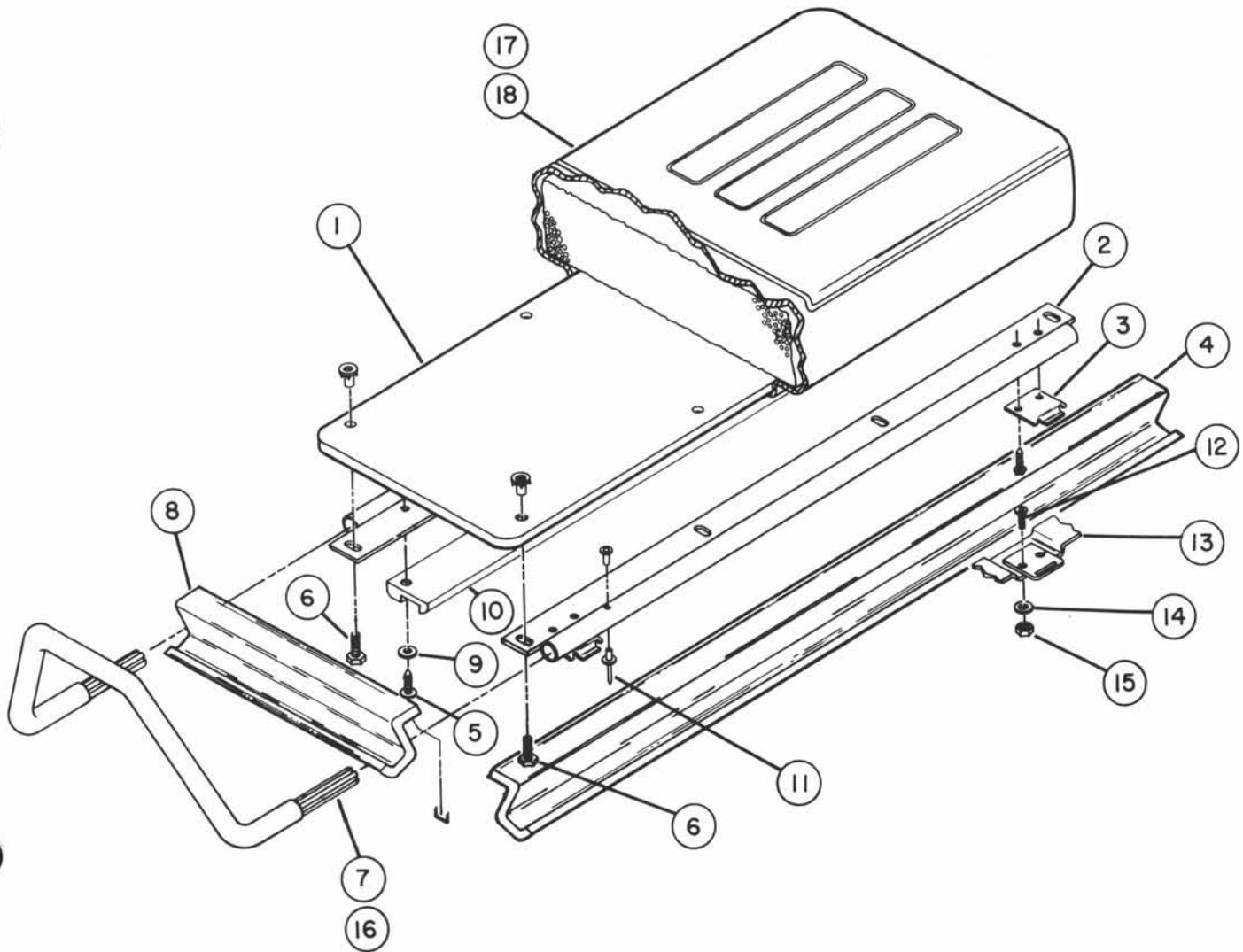
1

ITEM NUMBER	PART NUMBER	DESCRIPTION	UNITS PER VEHICLE	
			GAS	ELEC.
1	8248	PHILLIPS TRUSS HEAD SCREW 1/4-20 X 3/4	8	8
2	8304	LOCKWASHER, 1/4 INTERNAL TOOTH	8	8
3	1017409	SEAT BACK MOUNT	2	2
4	1015651-02	SEAT BACK ASSEMBLY - THICK BUNN (WHITE WITH BLACK CAP) INCLUDES ITEM 5	2	2
4	1015651-04	SEAT BACK ASSEMBLY - THICK BUNN (WHITE WITH TAN CAP) INCLUDES ITEM 5	2	2
4	1015651-05	SEAT BACK ASSEMBLY - THICK BUNN (BUFF WITH BLACK CAP) INCLUDES ITEM 5	2	2
5	1011231	CAP, SEAT BACK (TAN)	2	2
5	1013938	CAP, SEAT BACK (BROWN)	2	2
5	1013335	CAP, SEAT BACK (BLACK)	2	2
6	8233	NYLON LOCKNUT, 1/4-20	2	2
7	7847	HEX HEAD CAP SCREW, 1/4-20 X 3/4"	6	6
8	332	FLATWASHER, 1/4 DIAMETER	8	8
9	1011710	KNEE BRACE WELD ASSEMBLY	2	2
10	1011708	MAIN SEAT BACK SUPPORT	2	2
11	1010577	HEX HEAD CAP SCREW, 5/16-18 X 1-1/2"	4	4
12	1241	FLATWASHER, 5/16 DIAMETER	6	6
13	7473	NYLON LOCKNUT, 5/16-18	8	8
14	7818	CARRIAGE BOLT, 5/16-18 X 1-1/2"	2	2
15	1011706	SEAT BACK SUPPORT MOUNTING PAD	2	2
16	1242	HEX NUT, 5/16-18	2	2
17	1013935	BAG HOOP ASSEMBLY INCLUDES ITEMS 26, 28, AND 29	1	1
18	N/A	HEX HEAD CAP SCREW, 5/16-18 X 2-1/4"	2	2
19	1011794	ADJUSTABLE SEAT BACK KIT (OPTION) INCLUDES ITEMS 20-24	A/R	A/R
20	1011794	MOUNTING PLATE WELD ASSEMBLY	2	2
21	1010322	SEAT ADJUSTER LOCK	2	2
22	1011761	SEAT ADJUSTER KNOB	2	2
23	NO #	ADJUSTABLE SEAT BACK WELD ASSEMBLY (SEE ITEM 21)	2	2
24	1011760	TUBE PLUG	2.4	2
25	8639	TIE WRAP	1	1
26	1013754	BAG STRAP BUCKLE	2	2
27	1013884	SPACER, BAG HOOP	2	2
28	1010413	BELT STRAP (LONG)	1	1
29	1010434	PLASTIC BARRELS (BLACK)	2	2
30	1015626-01	VINYL COVER - SEAT BACK (BUFF)	A/R	A/R
31	1015626-02	VINYL COVER - SEAT BACK (WHITE)	A/R	A/R
32	N/A	FLATWASHER (BLACK), 5/16	4	4
33	1015661	FLANGE LOCKNUTS, 1/4-20	4	4



SEAT BOTTOM AND ARMREST - ELECTRIC VEHICLE

ITEM NUMBER	PART NUMBER	1 2 3 4	DESCRIPTION	UNITS PER VEHICLE
1	1015648-04		SEAT BOTTOM ASSEMBLY, BUFF	1
1	1015648-05		SEAT BOTTOM ASSEMBLY, WHITE	1
2	1015625		BRACKET, SEAT SUPPORT	2
3	1011652		PLATE, SEAT HINGE	2
4	1011451		TYPE AB SCREW, #12	9
5	1012327		MATING RIVET, 3/16	4
6	304		HEX HEAD CAP SCREW, 1/4-20	8
7	1012597		SEAT BUMPER	1
8	183		FLATWASHER, #10 DIAMETER	3
9	1011786		LEFT ARMREST ASSEMBLY	1
10	1011780		RIGHT ARMREST ASSEMBLY	1
11	1015670		ARMREST SEAT BOTTOM ASSEMBLY KIT INCLUDES ITEMS 2, 5, 9, AND 10	1
12	1015627-01		VINYL COVER - SEAT COVER BOTTOM, BUFF	A/R
13	1015627-02		VINYL COVER - SEAT COVER BOTTOM, WHITE	A/R



SEAT BOTTOM AND ARMREST - GASOLINE VEHICLE

ITEM NUMBER	PART NUMBER	DESCRIPTION				UNITS PER VEHICLE
		1	2	3	4	
1	1015648-04	SEAT BOTTOM ASSEMBLY, BUFF				1
1	1015648-05	SEAT BOTTOM ASSEMBLY, WHITE				1
2	1015625	BRACKET, SEAT SUPPORT				2
3	1011652	PLATE, SEAT HINGE				2
4	1012657	GASKET, SEAT (LONG)				1
5	1011451	TYPE AB SCREW, #12				9
6	304	HEX HEAD CAP SCREW, 1/4-20				8
7	1011786	LEFT ARMREST ASSEMBLY				1
8	1012656	GASKET, SEAT (SHORT)				2
9	183	FLATWASHER, #10 DIAMETER				5
10	1012597	SEAT BUMPER				1
11	1012327	MATING RIVET, 3/16				4
12	8251	PHILLIPS HEAD SCREW, 1/4-20				4
13	1012412	PLATE, BODY HINGE				2
14	332	FLATWASHER, 1/4 DIAMETER				4
15	8233	NYLON LOCKNUT, 1/4-20				4
16	1011780	RIGHT ARMREST ASSEMBLY				1
17	1015627-01	VINYL COVER - SEAT COVER BOTTOM, BUFF				A/R
18	1015627-02	VINYL COVER - SEAT COVER BOTTOM, WHITE				A/R
19	1015670	ARMREST SEAT BOTTOM ASSEMBLY KIT INCLUDES ITEMS 2, 8, 12, AND 13				1
20	1015417	SOUND INSULATION, SEAT BOTTOM (NOT SHOWN)				1
21	1016623	INSULATION RETAINER (NOT SHOWN)				2

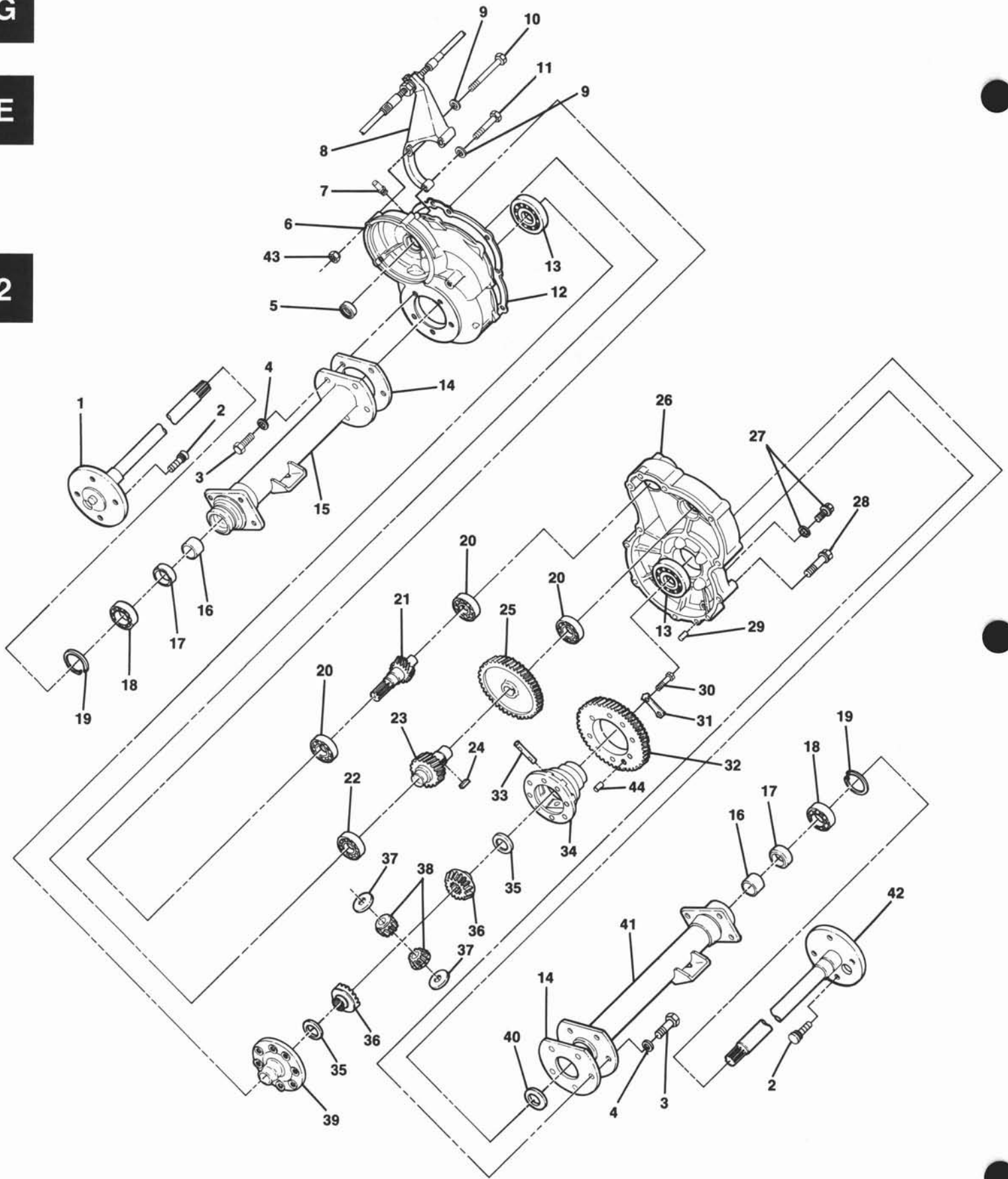


G

E

2

Section 2
TRANSAXLE



TRANSAXLE

TRANSAXLE

G

E

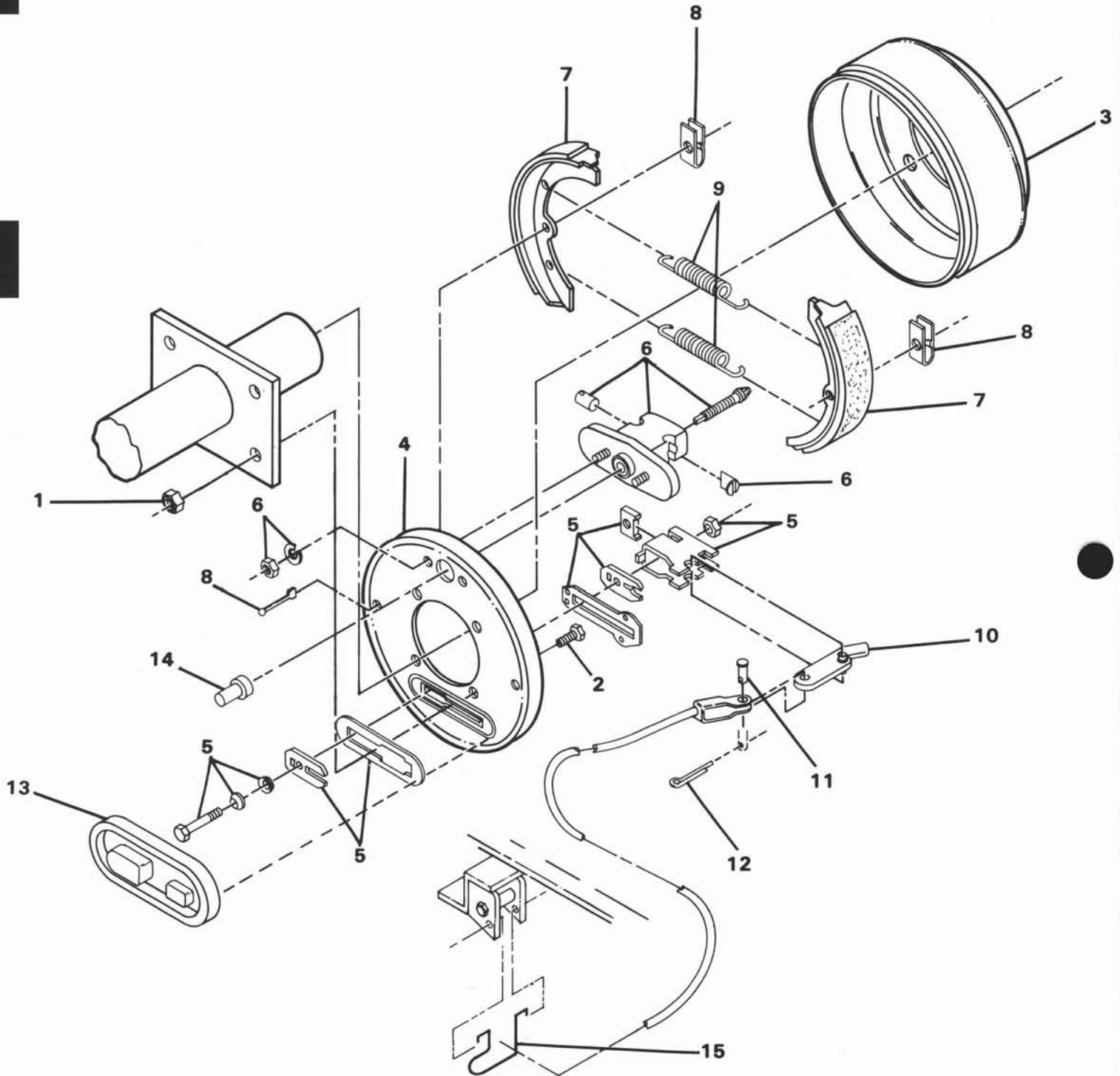
2

ITEM NUMBER	PART NUMBER	DESCRIPTION	UNITS PER VEHICLE
		1 2 3 4	
	1017683-01	TRANSAXLE INCLUDES ALL ITEMS EXCEPT 8, 9, 10, 11, AND 43	1
1	1013785	AXLE ASSEMBLY, RIGHT INCLUDES ITEMS 2, 16, 18, AND 19	1
2	1013787	LUG STUD	8
3	1013790	BOLT (10 X 30)	10
4	1013791	LOCKWASHER	10
5	1013775	INPUT SHAFT OIL SEAL	1
6	1013756	GEAR CASE - RIGHT	1
7	1012711	BREATHER PLUG	1
8	1013866	SHIFT CABLE SUPPORT BRACKET KIT (GASOLINE VEHICLE ONLY) INCLUDES ITEMS 9, 10, 11, AND 43	1
9	332	FLATWASHER, 1/4 DIAMETER	6
10	1013872	HEX HEAD CAP SCREW, 1/4-20 X 4"	2
11	1012462	HEX HEAD CAP SCREW, 1/4-20 X 3-1/2"	1
12	1013758	GASKET, CASE	1
13	7330	INNER AXLE, TUBE BEARING	2
14	1013789	GASKET - AXLE TUBE	2
15	1017703	AXLE TUBE ASSEMBLY - RIGHT	1
16	1014207	BUSHING WITH BROOVE IN END	1
17	1013794	AXLE SHAFT OIL SEAL	2
18	1011291	OUTER AXLE TUBE BEARING	2
19	1013792	CIRCLIP, TYPE C	2
20	7335	INPUT GEAR BEARING	3
21	1013764	SHAFT, INPUT	1
22	7336	INTERMEDIATE GEAR BEARING	1
23	1013766	INTERMEDIATE GEAR - SMALL	1
24	1013780	KEY, SUNK	1
25	1013765	INTERMEDIATE GEAR - LARGE	1
26	1013757	GEAR CASE - LEFT	1
27	1013759	FILL PLUG WITH GASKET	2
28	1013763	BOLT (6 X 50)	10
29	1012710	PIN, DOWEL	2
30	1013779	BOLT (8 X 37)	8
31	1013782	PLATE, LOCK	4
32	1013767	OUTPUT GEAR	1
33	1013772	DIFFERENTIAL PIN	1
34	1013768	DIFFERENTIAL GEAR CASE - LEFT	1
35	1013773	PLATE, THRUST (DIFFERENTIAL GEAR)	2
36	1013771	DIFFERENTIAL GEAR	2
37	1013774	PLATE, THRUST (IDLER GEAR)	2
38	1013770	DIFFERENTIAL IDLER GEAR	1
39	1013769	DIFFERENTIAL GEAR CASE - RIGHT	A/R
40	1013781	SHIM	1
41	1017704	AXLE TUBE ASSEMBLY - LEFT	1
42	1013786	AXLE ASSEMBLY, LEFT INCLUDES ITEM 2, 16, 18, AND 19	3
43	8233	NYLON LOCKNUT, 1/4-20	1
44	1014193	PIN, DOWEL	2
45	1016672	RETAINING RING	2



Section 3

BRAKES, PEDAL AND CABLE ASSEMBLY



BRAKE CLUSTER, RIGHT HAND AND LEFT HAND

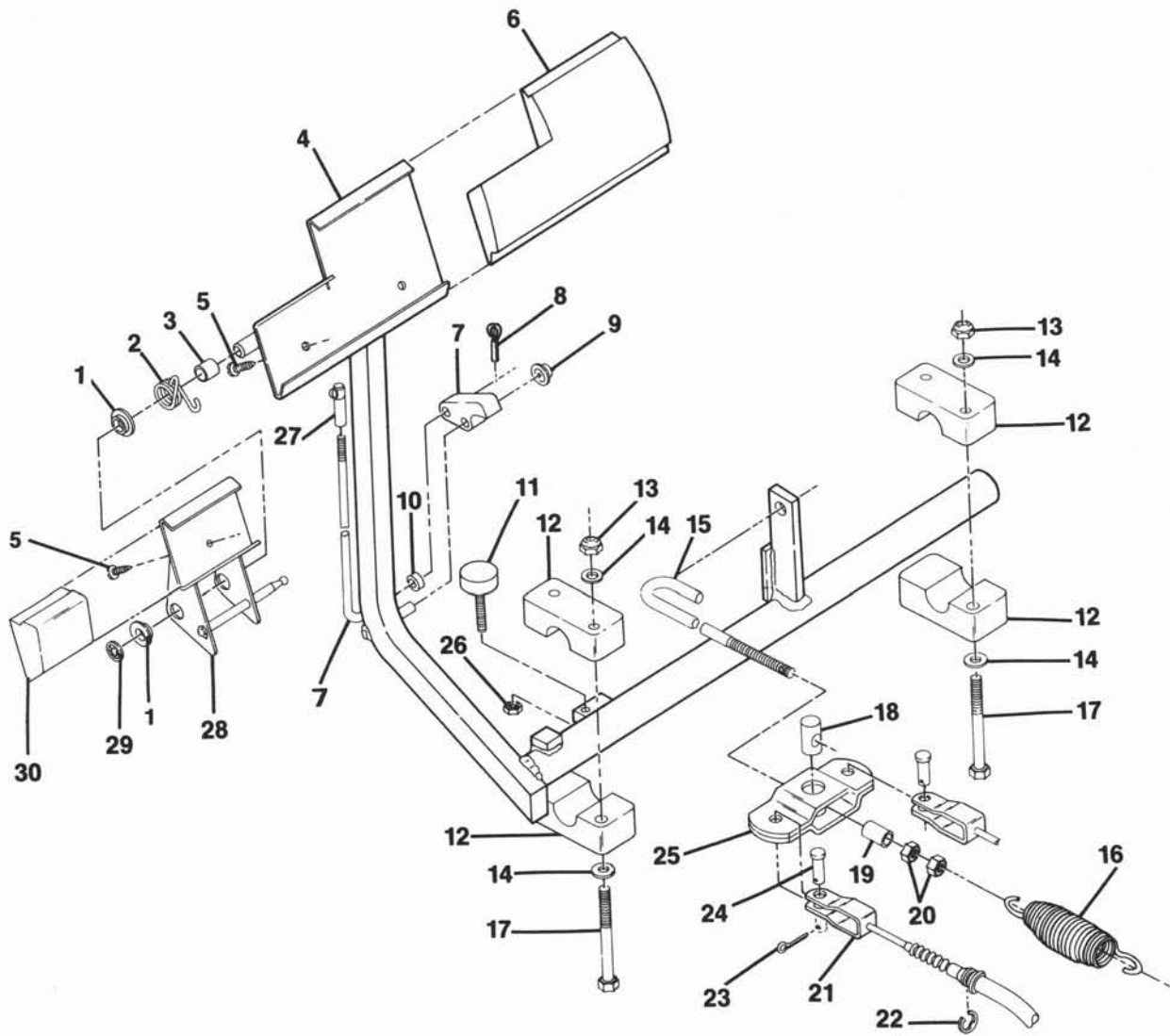
BRAKE CLUSTER, RIGHT HAND AND LEFT HAND

ITEM NUMBER	PART NUMBER	1 2 3 4	DESCRIPTION	UNITS PER VEHICLE
	1011145		RIGHT CLUSTER W/O BRAKE DRUM INCLUDES ITEMS 4 THRU 14	1
	1011146		LEFT CLUSTER W/O BRAKE DRUM INCLUDES ITEMS 4 THRU 14	1
1	1013924		LOCKNUT, 5/16-24 GRADE 8	8
2	1014153		BOLT, BRAKE CLUSTER MOUNTING	8
3	1011137		DRUM, BRAKE	2
4	1011494		PLATE BACKING, LEFT HAND	1
4	1011154		PLATE BACKING, RIGHT HAND	1
5	1011465		BRAKE ACTUATOR KIT	1
6	1011467		ANCHOR BODY KIT	1
7	1011463		BRAKE SHOE PACKAGE (4 PIECES)	1
8	1011466		SHOE RETAINER KIT	1
9	1011464		BRAKE SPRING PACKAGE (4 PIECES)	1
10	NO #		ARM, BRAKE LEVER (SEE ITEM 5)	2
11	1010829		PIN, 5/16 CLEVIS	2
12	1035		PIN, COTTER, 3/32 X 1"	2
13	1010850		COVER, DUST	2
14	1011303		CAP, ADJUSTMENT BOLT	2
15	1013207		BRAKE CABLE HANGER	2

G

E

3



BRAKE PEDAL AND CABLE ASSEMBLY

BRAKE PEDAL AND CABLE ASSEMBLY

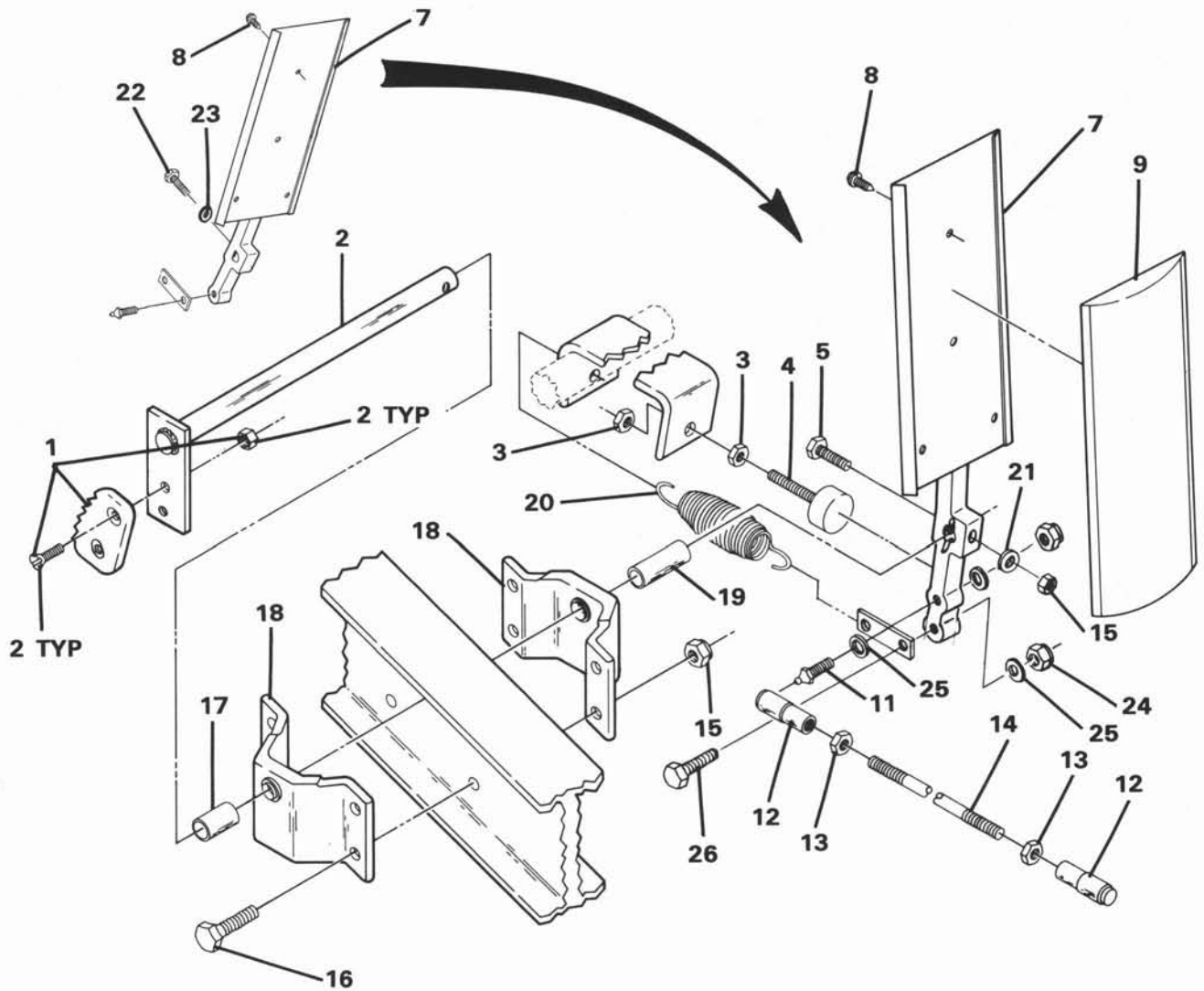
ITEM NUMBER	PART NUMBER	1 2 3 4	DESCRIPTION	UNITS PER VEHICLE
1	1032		NYLON BUSHING	2
2	1010933		HILL SPRAKE TENSION SPRING	1
3	1010927		HILL BRAKE SPACER	1
4	1011406		BRAKE PEDAL KIT INCLUDES ITEMS 5 & 6	1
5	7716		SCREW, NO. 10-16 SHEET METAL	6
6	1013869		BRAKE PEDAL PAD	1
7	1016173		HILL BRAKE ROD AND PAWL KIT INCLUDES ITEM 7, 8, 9, AND 10	1
8	1017029		PIN - COTTER, 7/64 X 1/2, 302 STAINLESS STEEL	1
9	1010877		PUSH NUT, 5/16	1
10	1010805		HILL BRAKE ROD SLEEVE	1
11	1010878		BRAKE STOP	1
12	1011402		BRAKE MOUNTING BLOCK PACKAGE	1
13	7473		NUT, 5/16-18 NYLON LOCK	4
14	1241		WASHER, 5/16 FLAT	8
15	1010808		EQUALIZER ROD	1
16	1013532		SPRING, BRAKE RETURN - GASOLINE VEHICLE	1
16	1013531		SPRING, BRAKE RETURN - ELECTRICAL VEHICLE	1
17	1010921		HEX HEAD CAP SCREW, 5/16-18	4
18	NO #		PIN, EQUALIZER PIVOT	1
19	1013855		SPACER EQUALIZER	1
20	1242		NUT, 5/16-18 HEX	2
21	1011403		BRAKE CABLE KIT INCLUDES ITEMS 22, 23, AND 24	2
22	1011779		E-50 1/2 ROTOR CLIP	4
23	1035		PIN, COTTER, 3/32 X 1"	2
24	1010829		PIN, 5/16 CLEVIS	2
25	1017211		EQUALIZER AND PIVOT LIMITER KIT INCLUDES ITEM 18 AND 25	1
26	1028		NUT, 1/4-20 HEX	1
27	1010932		BALL JOINT, 1/4-28	1
28	1011418		HILL BRAKE PEDAL KIT INCLUDES ITEMS 1, 5, 28, 29, AND 30	1
29	1013876		NUT, 3/8 PUSH	1
30	1013870		PAD, HILL BRAKE	1

G

E

3

ELECTRIC VEHICLE ONLY



ACCELERATOR PEDAL ASSEMBLY

ACCELERATOR PEDAL ASSEMBLY

ITEM NUMBER	PART NUMBER	1 2 3 4	DESCRIPTION	UNITS PER VEHICLE
1	1011877		LATCH, HILL BRAKE KIT	1
2	1016166		ROD, ACCELERATOR PIVOT (GASOLINE VEHICLE) SUB ASSEMBLY	1
2	1016116		ROD, ACCELERATOR PIVOT (ELECTRIC VEHICLE) WELD ASSEMBLY	1
3	1028		NUT, 1/4-20 HEX	2
4	1010878		STOP, BRAKE	1
5	1016619		HEX HEAD CAP SCREW, 1/4-20	1
6	1014007		FLATWASHER, 1/4 DIAMETER	1
7	1016377-01		ACCELERATOR PEDAL ASSEMBLY (GASOLINE VEHICLE) INCLUDES ITEMS 8, 9, 10, 11, 24, 25, AND 26	1
7	1010969		ACCELERATOR PEDAL ASSEMBLY (ELECTRIC VEHICLE) INCLUDES ITEMS 8, 9, 10, AND 11	1
8	7716		SHEET METAL SCREW, #10-16	4
9	1013871		PAD, ACCELERATOR	1
10	1011691		HANGER, ACCELERATOR PEDAL SPRING	1
11	1016157		BALL STUD, 1/4-28 X 1.00 (GASOLINE VEHICLE)	1
11	1010954		BALL STUD, 1/4-28 (ELECTRIC VEHICLE)	1
12	1011734		BALL JOINT, 1/4-28 SPRING LOADED	2
13	1011084		HEX JAM NUT, 1/4-28	2
14	1014085		ROD, ACCELERATOR (ELECTRIC VEHICLE) INCLUDES ITEMS 12 AND 13	1
14	1016168		ROD, ACCELERATOR (GASOLINE VEHICLE) INCLUDES ITEMS 12 AND 13	1
15	8233		NYLON LOCKNUT INSERT, 1/4-20	5
16	7479		HEX HEAD CAP SCREW, 1/4-20 X 1-1/4"	4
17	1011699		SPACER, 1/2	1
18	1011694		BRACKET, ACCELERATOR BEARING	2
19	1011700		SPACER, ACCELERATOR	1
20	1012075		SPRING EXTENSION	1
21	332		FLATWASHER, 1/4 DIAMETER	1
22	403		HEX HEAD CAP SCREW, 1/4-20 X 5/8" (ELECTRIC VEHICLE ONLY)	1
23	8304		WASHER, 1/4 DIAMETER INTERNAL TOOTH LOCK (ELECTRIC VEHICLE ONLY)	1
24	8717		NYLON HEX NUT, 1/4-28 (GASOLINE VEHICLE)	2
25	1014007		FLATWASHER, 1/4 DIAMETER (GASOLINE VEHICLE)	3
26	7510		HEX HEAD CAP SCREW, 1/4-28 X 1-1/4" (GASOLINE VEHICLE)	1

G

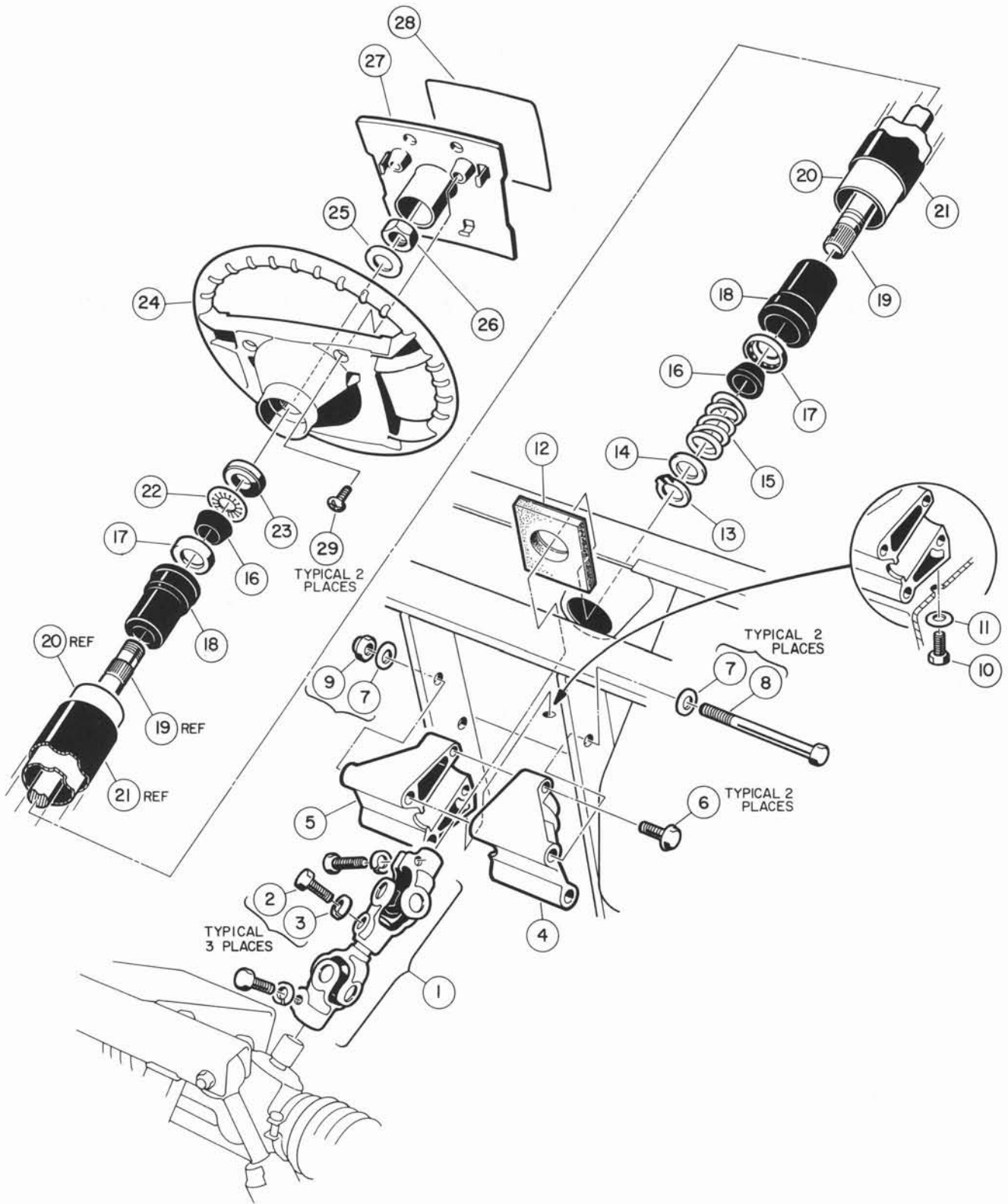
E

3



Section 4

STEERING AND FRONT SUSPENSION



STEERING COLUMN - ALUMINUM

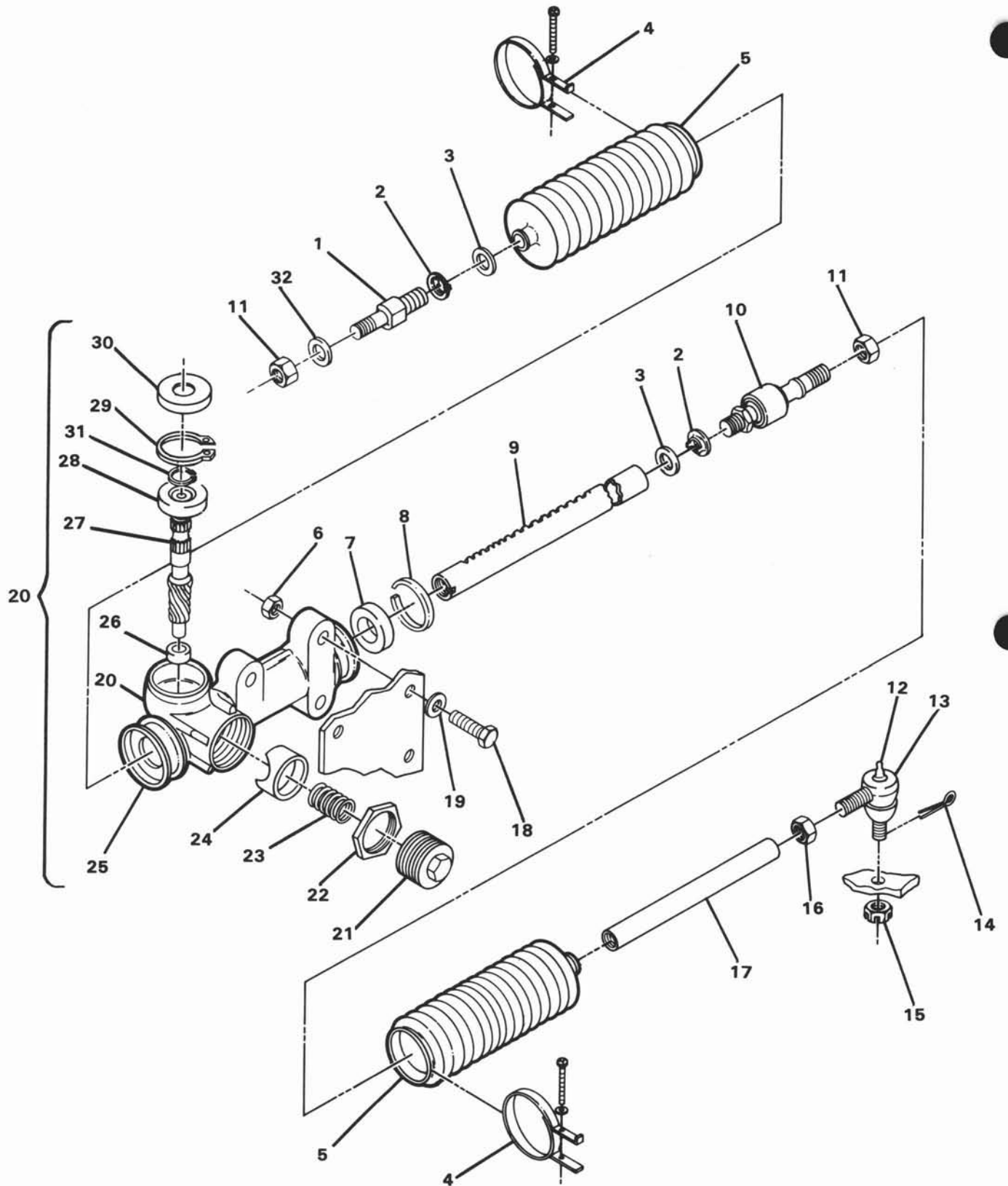
STEERING COLUMN - ALUMINUM

ITEM NUMBER	PART NUMBER	DESCRIPTION				UNITS PER VEHICLE
		1	2	3	4	
1	1013861	COMPOUND STEERING JOINT INCLUDES ITEMS 2 AND 3				1
2	1017226	HEX HEAD CAP SCREW, 8MM X 1.25-30				3
3	7174	LOCKWASHER, 5/16 DIAMETER				
4	1016185	STEERING COLUMN MOUNT, LEFT HAND				1
5	1016184	STEERING COLUMN MOUNT, RIGHT HAND				1
6	1016269	HEX WASH HEAD THREAD FORMING SCREW, 5/16-18 X 2"				2
7	334	FLATWASHER, 3/8 DIAMETER				4
8	1016183	HEX HEAD CAP SCREW, 3/8-16 X 6-1/2"				2
9	8754	NYLON LOCKNUT INSERT, 3/8-16				2
10	1014288	HEX WASH HEAD MACHINE SCREW, 5/16-18 X 3/4"				2
11	1011697	FLATWASHER, 5/16 DIAMETER				1
12	1012499	STEERING COLUMN BOOT				1
13	1012605	RETAINING RING				1
14	1012604	STEEL WASHER, 5/8 DIAMETER				1
15	1014217	COMPRESSION SPRING				1
16	1014125	WEDGE				2
17	1014213	BEARING ASSEMBLY				2
18	1014126	BEARING SEAT				2
19	1015545	STEERING COLUMN SHAFT				1
20	1016622	ALUMINUM STEERING COLUMN				1
21	1016263	BEARING TUBE COVER				1
22	1014214	RETAINING RING				1
23	1014211	BEARING SEAL				1
24	1016156	STEERING WHEEL				1
25	1012604	STEEL WASHER, 5/8 DIAMETER				1
26	1017273	NYLON JAM NUT, 5/16-18				1
27	1016219	SCORECARD PLATE ASSEMBLY INCLUDES ITEMS 30 THRU 34				1
28	1016216	OPERATING INSTRUCTIONS DECAL				1
29	1010715	PHILLIPS SCREW, #10-14 X 3/8"				2
30	1012565	ROUND HEAD SCREW, #12 (NOT SHOWN)				2
31	1012566	TAPERED COMPRESSION SPRING (NOT SHOWN)				2
32	1016214	PENCIL GRIP (NOT SHOWN)				1
33	1016154	SCORE CARD CLIP (NOT SHOWN)				1
34	1016181	STEERING COLUMN ASSEMBLY INCLUDES ITEMS 13 THRU 20, 22, AND 23				

G

E

4



STEERING ASSEMBLY

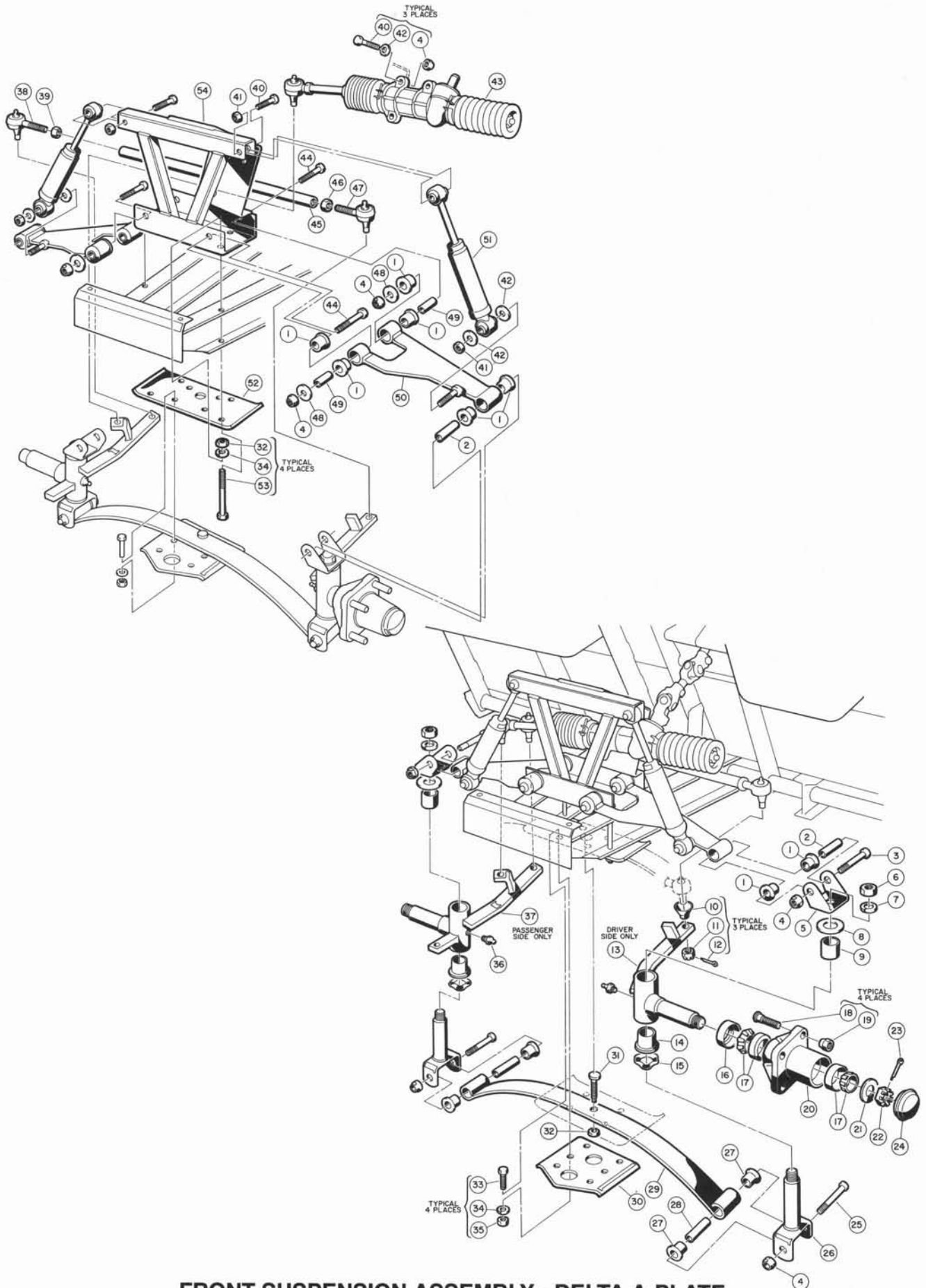
STEERING ASSEMBLY

ITEM NUMBER	PART NUMBER	1 2 3 4				DESCRIPTION	UNITS PER VEHICLE
		1	2	3	4		
1	1013053					BOLT, STOPPER, 12MM	1
2	1013040					LOCKWASHER, TIE ROD	2
3	1013039					WASHER, TIE ROD STOPPER	2
4	1013034					BAND, BELLOWS	2
5	1013035					SEAL, DUST	2
6	1010138					DIMPLED LOCKNUT, 3/8-16	3
7	1013036					BUSHING, RACK	1
8	1013037					RING, SNAP	1
9	NO #					RACK, STEERING (SEE ITEM 20)	1
10	1013041					END, RACK	1
11	1013042					HEX NUT, 12MM	2
12	1015597					THREADED FORM GREASE FITTING, 1/4-28	1
13	7540					SOCKET, VERTICAL, LEFT HAND INCLUDES ITEMS 12 AND 15	1
14	1035					PIN, COTTER, 3/32 X 1"	1
15	7602					HEX NUT, SLOTTED, 3/8-24	1
16	7555					HEX NUT, 1/2-20	1
17	1012467					RACK AND PINION DRAG LINK	1
18	1624					HEX HEAD CAP SCREW, 3/8-16 X 1-1/2"	3
19	334					FLATWASHER, 3/8 DIAMETER	3
20	1012452					STEERING GEAR BOX ASSEMBLY INCLUDES ITEMS 1 THRU 5, 7 THRU 11, AND 21 THRU 30	1
21	NO #					SCREW, RACK GUIDE (SEE ITEM 20)	1
22	1013044					LOCKNUT, RACK SCREW	1
23	1013045					SPRING, RACK GUIDE PRESSURE	1
24	1013046					GUIDE, STEERING RACK	1
25	1013047					BOX, STEERING GEAR	1
26	1013048					BUSHING, PINION	1
27	NO #					PINION, STEERING (SEE ITEM 20)	1
28	1012884					BALL BEARING	1
29	1013051					SNAP RING	1
30	1013052					DUST SEAL, STEERING PINION	1
31	1013031					RING-RETAINING, EXTERNAL	1
32	1013030					WASHER, END	1
33	1011930					DUST SEAL	1

G

E

4



FRONT SUSPENSION ASSEMBLY - DELTA A-PLATE

FRONT SUSPENSION ASSEMBLY - DELTA A-PLATE

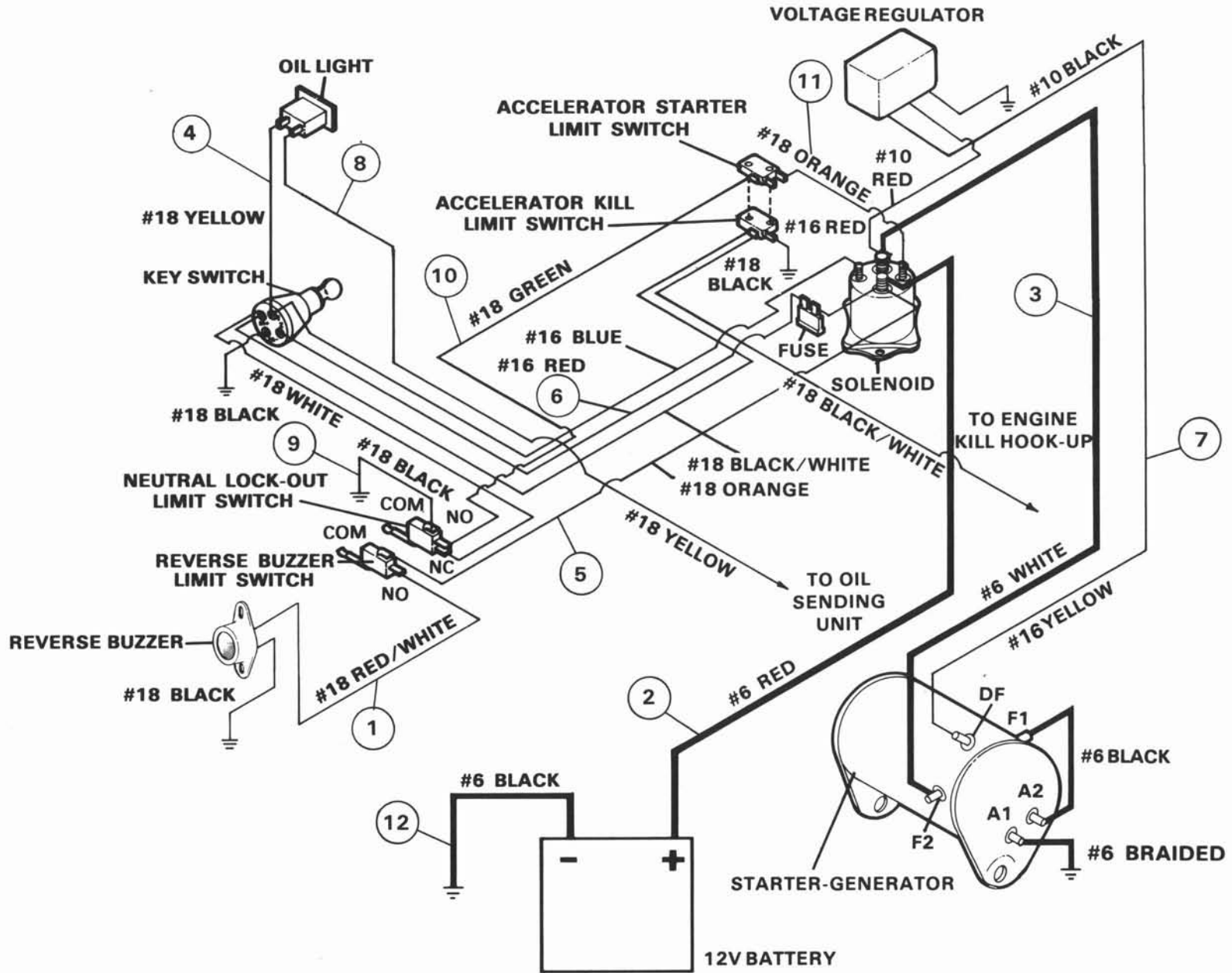
ITEM NUMBER	PART NUMBER	DESCRIPTION				UNITS PER VEHICLE
		1	2	3	4	
1	1016346	URETHANE BUSHING				12
2	1016350	DELTA OUTER SLEEVE				2
3	1016387	HEX HEAD CAP SCREW, 3/8-16 X 2-3/4"				2
4	8754	NYLON LOCKNUT INSERT, 3/8-16				11
5	1016384	UPPER DELTA CLEVIS				2
6	1308	HEX NUT, 1/2-20				2
7	209	SPLIT LOCKWASHER, 1/2 DIAMETER				2
8	1010150	THRUST BEARING				2
9	8067	BRONZE SPINDLE BUSHING				2
10	1011930	DUST SEAL				3
11	7602	HEX NUT, SLOTTED, 3/8-24				3
12	1035	COTTER PIN, 3/32 DIAMETER X 1"				3
13	1010348	SPINDLE ASSEMBLY, LEFT INCLUDES ITEMS 9, 14, AND 36				1
14	7048	BRONZE BUSHING				2
15	1016389	KINGPIN WAVE WASHER				2
16	1013135	DOUBLE LIP SEAL				2
17	1011393	HUB BEARING PACKAGE				4
18	1011304	LUG STUD 50-20				8
19	1011390	LUG NUT PACKAGE (8 PIECES)				2
20	1011892	HUB ASSEMBLY INCLUDES ITEMS 17, 18 AND 20				2
21	1010005	FLATWASHER, 3/4 DIAMETER				2
22	7840	HEX NUT, SLOTTED, 3/4-16				2
23	7910	COTTER PIN, 5/32 X 1"				2
24	1011887	DUST COVER				2
25	8755	HEX HEAD CAP SCREW, 3/8-16 X 3-3/8"				2
26	1016386	KINGPIN ASSEMBLY				2
27	1015583	URETHANE BUSHING				4
28	1012303	STEEL BUSHING				2
29	1015828	TAPERED LEAF SPRING ASSEMBLY (GASOLINE VEHICLE) INCLUDES ITEMS 29, 31 AND 32				1
29	1013867	TAPERED LEAF SPRING ASSEMBLY (ELECTRIC VEHICLE) INCLUDES ITEMS 29, 31 AND 32				1
30	1014276	FRONT SPRING RETAINER PLATE				1
31	8745	ECCENTRIC ASSEMBLY				1
32	706	HEX NUT, 3/8-16				5
33	1624	HEX HEAD CAP SCREW, 3/8-16 X 1-1/2"				4
34	357	LOCKWASHER, 3/8 DIAMETER				8
35	706	HEX NUT, 3/8-16				4
36	1015597	GREASE FITTING				2
37	1010347	SPINDLE ASSEMBLY, RIGHT INCLUDES ITEMS 9, 14, AND 36				1
38	7539	BALL JOINT, RIGHT HAND				1
39	1308	HEX NUT, 1/2-20, RIGHT				1
40	1624	HEX HEAD CAP SCREW, 3/8-16 X 1-1/2"				5
41	1010138	DIMPLED LOCKNUT, 3/8-16				4
42	1011990	FLATWASHER, 3/8 DIAMETER				7
43	1012452	GEAR AND SOCKET ASSEMBLY (SEE PAGE 4-5 FOR DETAILS)				1
44	2402	HEX HEAD CAP SCREW, 3/8-16 X 2-1/4"				4
45	1010219	TIE ROD				1
46	7555	HEX NUT, 1/2-20, LEFT				1
47	7540	BALL JOINT, LEFT HAND				1
48	808	FLATWASHER, 3/8 DIAMETER				4
49	1016349	DELTA INNER SLEEVE				4
50	1016353	DELTA A-PLATE ASSEMBLY INCLUDES ITEMS 1, 2, AND 49				2
51	1015813	FRONT SHOCK ABSORBER (GASOLINE VEHICLE)				2
51	1014235	FRONT SHOCK ABSORBER (ELECTRIC VEHICLE)				2
52	1010124	SPRING MOUNTING PLATE				1
53	1010200	HEX HEAD CAP SCREW, 3/8-16 X 4-1/4"				4
54	1016385	DELTA SHOCK AND GEAR SUPPORT ASSEMBLY				1



Section 5

ELECTRICAL AND BATTERY

WIRING - GASOLINE VEHICLE



WIRING - GASOLINE VEHICLE

ITEM NUMBER	PART NUMBER	DESCRIPTION				UNITS PER VEHICLE
		1	2	3	4	
	1015735	WIRE HARNESS ASSEMBLY				1
1	1013723	WIRE ASSEMBLY, #18 RED/WHITE				1
2	1014119	WIRE ASSEMBLY, #6 RED				1
3	1015769	WIRE ASSEMBLY, #6 WHITE				1
4	1013601	WIRE ASSEMBLY, #18 YELLOW				1
5	1015831	WIRE ASSEMBLY, #18 ORANGE				1
6	1015736	WIRE ASSEMBLY, #16 RED				1
7	1015738	WIRE ASSEMBLY, #16 YELLOW				1
8	1015740	WIRE ASSEMBLY, #18 YELLOW				1
9	1015780	WIRE ASSEMBLY, #18 BLACK				1
10	1015779	WIRE ASSEMBLY, #18 GREEN				1
11	1015767	WIRE ASSEMBLY, #18 ORANGE				1
12	1012382	WIRE ASSEMBLY, #6 BLACK				1

