

**Club Car**®

**1995**

**ILLUSTRATED**  
**PARTS LIST**



**DS GOLF CARS**  
**GASOLINE/ELECTRIC**

MANUAL NUMBER 101829201

EDITION CODE 1094C0396A



# ***USING THE ILLUSTRATED PARTS LIST***

---

This manual is to be used for identification and ordering of service parts for the 1995 DS Gasoline and DS Electric golf cars.

The first four (4) sections and Section 16 include information common to both the Gasoline and Electric vehicles. Sections 5 through 11 contain information related solely to the Gasoline vehicles, and Sections 12 through 15 relate solely to Electric vehicles.

The Table of Contents on the following page will provide quick reference to each section.

## **WARNING:**

This manual is to be used only for identification and ordering of service parts. Be sure to read and use the Maintenance and Service Manual before attempting any vehicle repairs.



P. O. Box 204658  
Augusta, Georgia 30917-4658 USA  
Telephone 706-863-3000  
Service Parts Fax 706-855-7413

© 1994, CLUB CAR INC.  
All rights reserved.  
This manual effective August 1, 1994



# CONTENTS

<b>BODY AND TRIM</b>	<b>SECTION 1</b>
BODY TRIM .....	1-2
FRONT BODY .....	1-4
REAR BODY AND FENDER - GASOLINE VEHICLE .....	1-6
REAR BODY AND FENDER - ELECTRIC VEHICLE .....	1-8
SEAT BOTTOM AND ARMREST .....	1-10
SEAT BACK AND BAG HOOP .....	1-12
WHEELS AND TIRES .....	1-14
<b>TRANSAXLE</b>	<b>SECTION 2</b>
TRANSAXLE .....	2-2
<b>BRAKES AND PEDAL AND CABLE ASSEMBLIES</b>	<b>SECTION 3</b>
BRAKE ASSEMBLY .....	3-2
BRAKE PEDAL AND CABLE ASSEMBLY .....	3-4
ACCELERATOR PEDAL ASSEMBLY .....	3-6
<b>STEERING AND SUSPENSION</b>	<b>SECTION 4</b>
STEERING COLUMN .....	4-2
STEERING GEAR ASSEMBLY .....	4-4
FRONT SUSPENSION - UPPER .....	4-6
FRONT SUSPENSION - LOWER .....	4-8
<b>ELECTRICAL SYSTEM - GASOLINE VEHICLES</b>	<b>SECTION 5</b>
WIRING .....	5-2
ELECTRICAL COMPONENT BOX .....	5-4
FORWARD AND REVERSE SHIFTER ASSEMBLY .....	5-6
STARTER / GENERATOR ASSEMBLY .....	5-8
STARTER / GENERATOR MOUNTING .....	5-10
BATTERY MOUNTING .....	5-12
REVERSE BUZZER .....	5-14
<b>ENGINE</b>	<b>SECTION 6</b>
ENGINE .....	6-2 - 6-12
<b>FUEL, INTAKE, AND GOVERNOR SYSTEMS</b>	<b>SECTION 7</b>
FUEL SYSTEM .....	7-2
CARBURETOR ASSEMBLY .....	7-4
GOVERNOR GUARD AND INTAKE HOSE .....	7-6
GOVERNOR AND ACCELERATOR CABLES .....	7-8
EXPANSION CHAMBER, CHOKE AND FILTER .....	7-10
<b>EXHAUST SYSTEM</b>	<b>SECTION 8</b>
EXHAUST SYSTEM .....	8-2
<b>TORQUE CONVERTER</b>	<b>SECTION 9</b>
DRIVE CLUTCH .....	9-2
DRIVEN CLUTCH .....	9-4

# CONTENTS

---

## TRANSMISSION SECTION

TRANSMISSION ..... 10-2 - 10-4

---

## REAR SUSPENSION - GASOLINE VEHICLE SECTION

REAR SUSPENSION ..... 11-2

INNER FRAME ..... 11-4

---

## ELECTRICAL SYSTEM - ELECTRIC VEHICLE SECTION

FORWARD AND REVERSE SWITCH ..... 12-2

POWER WIRING - 36 VOLT V-GLIDE VEHICLE ..... 12-4

ELECTRICAL COMPONENT MOUNTING - 36 VOLT V-GLIDE VEHICLE ..... 12-6

WIPER SWITCH - 36 VOLT V-GLIDE VEHICLE ..... 12-8

RESISTOR AND BOARD ASSEMBLY - 36 VOLT V-GLIDE VEHICLE ..... 12-10

FORWARD AND REVERSE SWITCH - POWERDRIVE VEHICLE ..... 12-12

POWER WIRING - POWERDRIVE VEHICLE ..... 12-16

CHARGER RECEPTACLE AND BATTERY MOUNTING - POWERDRIVE VEHICLE ..... 12-18

ON-BOARD COMPUTER, CONTROLLER, AND SOLENOID MOUNTING - POWERDRIVE VEHICLE ..... 12-20

MULTI-STEP POTENTIOMETER - POWERDRIVE VEHICLE ..... 12-22

REVERSE BUZZER ..... 12-24

---

## BATTERY CHARGERS SECTION

36 VOLT ACCU-POWER CHARGER ..... 13-2

POWERDRIVE CHARGER - DOMESTIC ..... 13-4

POWERDRIVE CHARGER - EXPORT ..... 13-6

---

## ELECTRIC MOTORS SECTION

36 VOLT MOTOR ..... 14-2

POWERDRIVE 48 VOLT MOTOR ..... 14-4

---

## REAR SUSPENSION - ELECTRIC VEHICLE SECTION

REAR SUSPENSION - ELECTRIC VEHICLE ..... 15-2

---

## SAFETY DECALS SECTION

SAFETY DECALS - GASOLINE VEHICLES ..... 16-2

SAFETY DECALS - ELECTRIC VEHICLES ..... 16-4

---

## MAINTENANCE AND SERVICE TOOLS

THE LAST PAGE OF THIS MANUAL CONTAINS A LIST OF MAINTENANCE AND SERVICE TOOLS AVAILABLE FROM CLUB CAR .

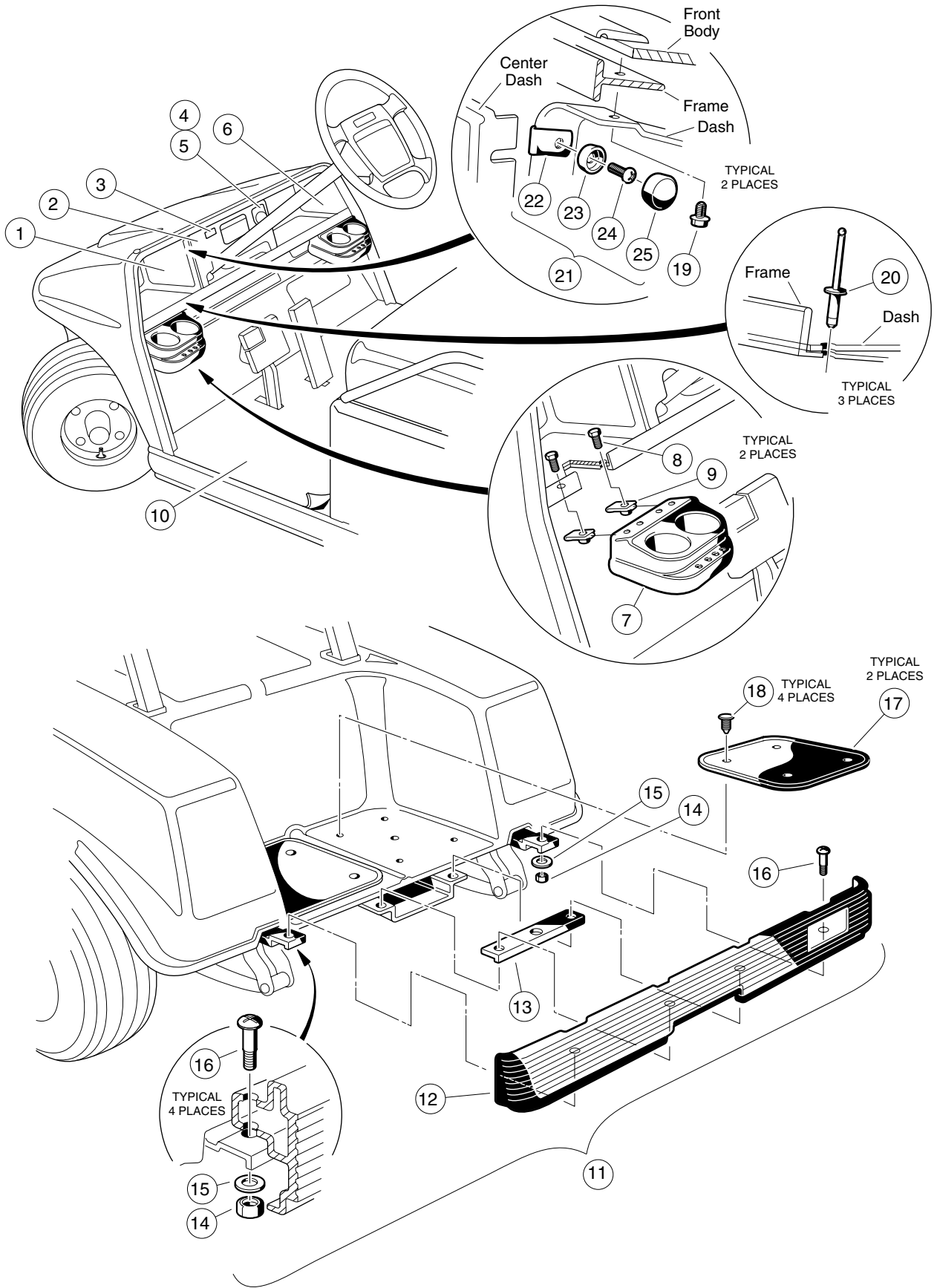
# ***BODY AND TRIM***

---

**G**

**F**

**1**

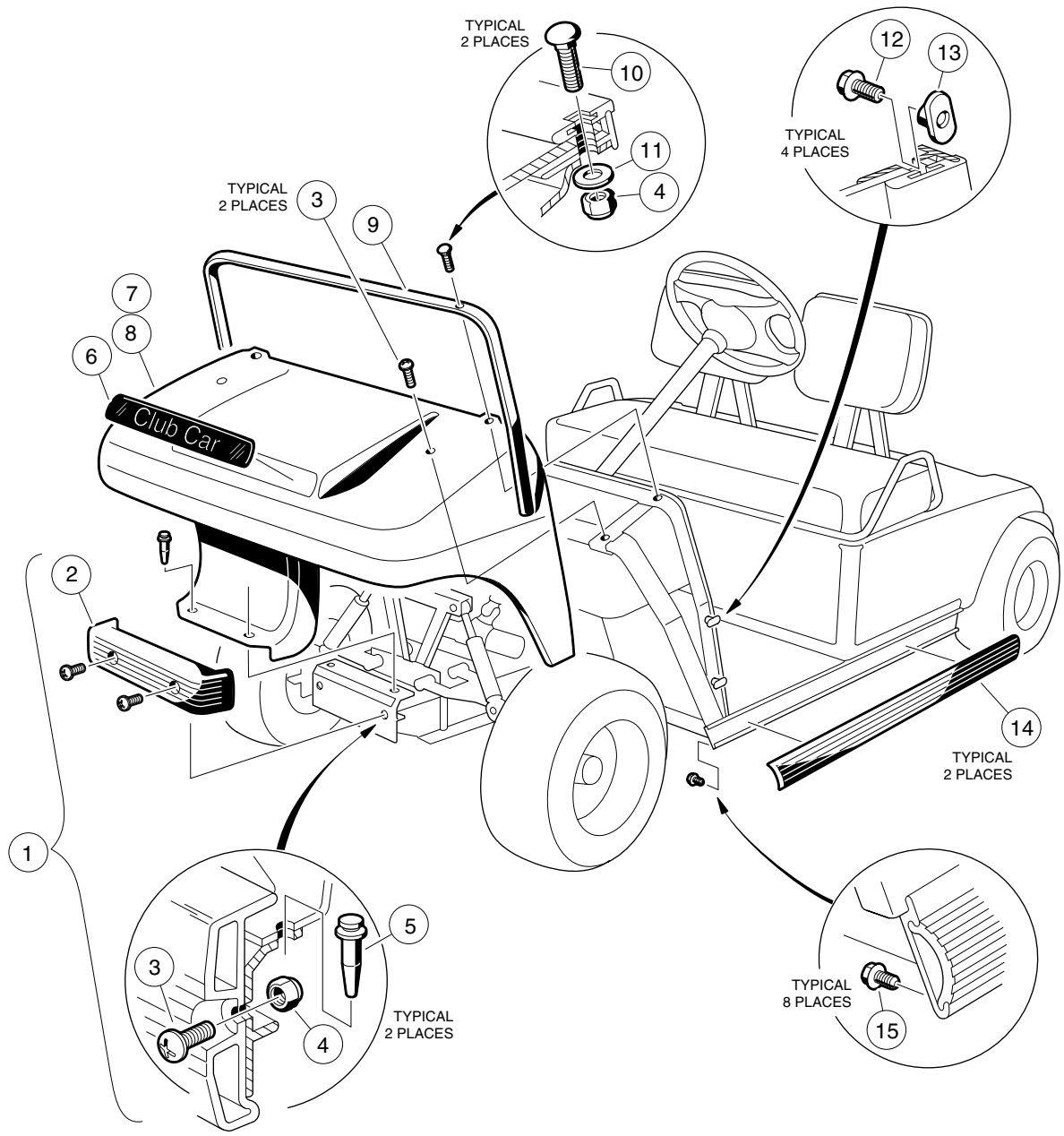




# BODY TRIM

ITEM	PART NO.	DESCRIPTION	QTY GAS	QTY ELEC
		1 2 3 4		
1	1013344	COMPONENT, LEFT DASH, BLACK .....	1	1
2	1016620-02	PANEL, CENTER DASH, BLACK, (WITH HOLE PLUG) .....	1	1
3	1016630	LIGHT, OIL, WITH INTERNAL RESISTOR .....	1	
3	1018025-01	LIGHT, BATTERY WARNING .....		1
4	1012415	SWITCH, KEY (INCLUDES 2 KEYS) (GASOLINE VEHICLE) .....	1	
4	1012531	SWITCH, KEY (INCLUDES 2 KEYS) (ELECTRIC VEHICLE) .....		1
5	1012505	KEY (PAIR) .....	1	1
6	1013343	COMPONENT, RIGHT DASH (BLACK) .....	1	1
7	1017083-01	KIT, DRINK HOLDER (INCLUDES ITEMS 8 AND 9) .....	2	2
8	0007847	BOLT, HEX HEAD, 1/4 - 20 x 3/4 .....	2	2
9	1016952	NUT, "U", 1/4 - 20 .....	2	2
10	1015032	MAT, FLOOR .....	1	1
11	1017079	KIT, REAR BUMPER (INCLUDES ITEMS 12 - 16) .....	1	1
12	1016379	BUMPER, REAR .....	1	1
13	1016875	PLATE, MOUNTING, LONG .....	1	1
14	0007473	NUT, NYLON LOCK, 5/16 - 18 .....	4	4
15	1011697	WASHER, SPECIAL, 5/16 .....	4	4
16	1016876	BOLT, PHILLIPS TRUSS HEAD SHOULDER, 3/8 - 18 x 2 .....	4	4
17	1014392	MAT, BAG REST .....	2	2
18	1010434	FASTENER, PLASTIC BARREL .....	8	8
19	1011017	SCREW, FLANGE LOCK .....	2	2
20	0007973	RIVET, ALUMINUM POP, 3/16 .....	3	3
21	1014645	KIT, SNAP WASHER, BLACK (INCLUDES ITEMS 22 - 25) .....	1	1
22	N/A	NUT, SPEED .....	1	1
23	N/A	WASHER, #10 .....	1	1
24	N/A	SCREW, #10 SHEET METAL .....	1	1
25	N/A	COVER, SCREW HEAD .....	1	1

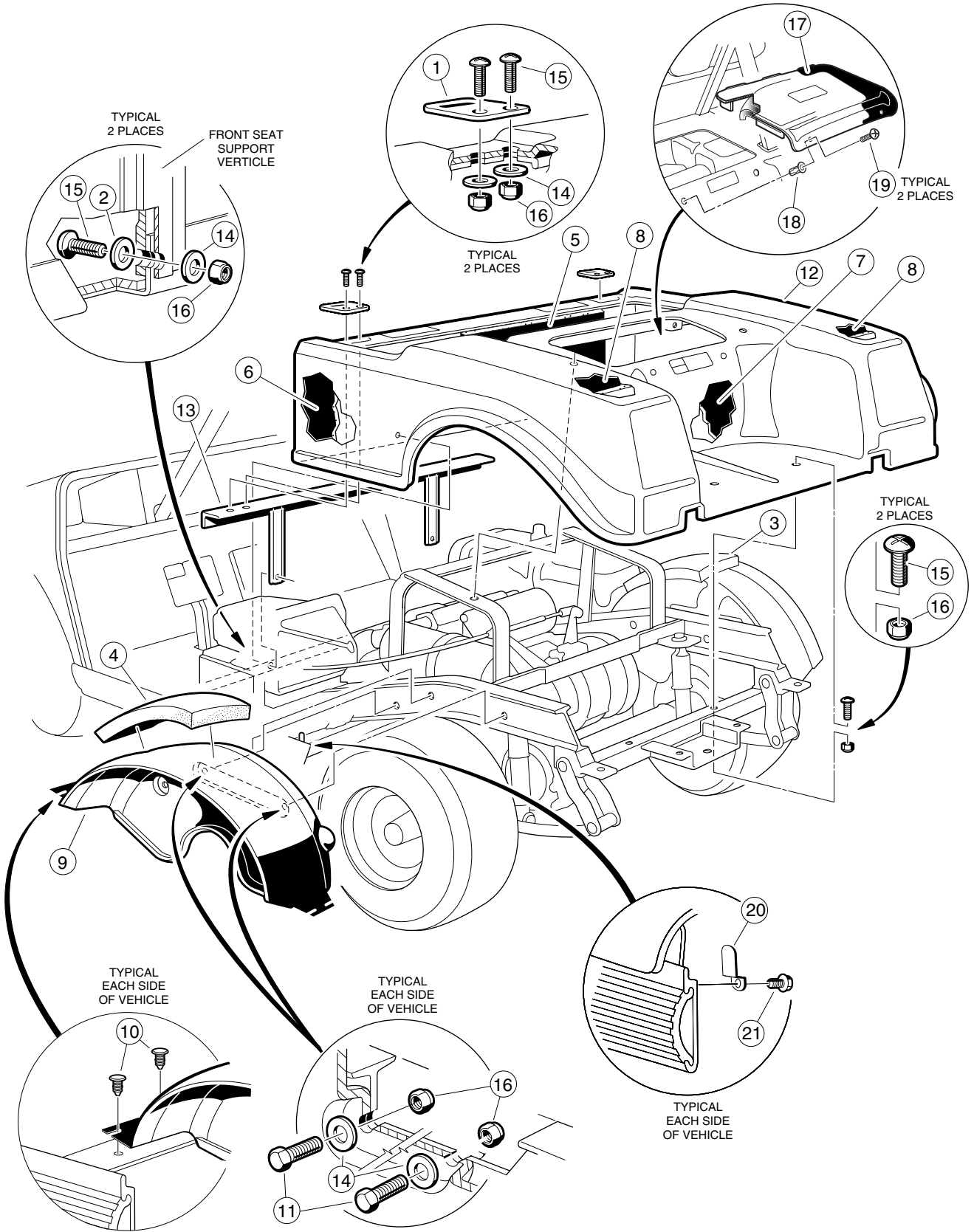
**G**  
**F**  
**1**



# FRONT BODY

ITEM	PART NO.	DESCRIPTION	QTY GAS	QTY ELEC
		1 2 3 4		
1	1017080	KIT, FRONT BUMPER (INCLUDES ITEMS 2, 3, 4, 5).....	1	1
2	1016868	BUMPER, FRONT .....	1	1
3	0007251	SCREW, PHILLIPS TRUSS HEAD SCREW, 5/16 - 18 x 1 .....	4	4
4	0007473	NUT, NYLON LOCK, 5/16 - 18 .....	4	4
5	1016967	RIVET, PUSH TYPE BLIND .....	2	2
6	1014198	KIT, NAMEPLATE .....	1	1
6	1016702	NAMEPLATE, CLEAR (GRAY FRONT BODIES ONLY).....	1	1
7	1016925-01	BODY, FRONT - BEIGE .....	1	1
7	1016925-02	BODY, FRONT - WHITE .....	1	1
7	1016925-04	BODY, FRONT - GRAY .....	1	1
7	1016925-05	BODY, FRONT - GREEN .....	1	1
7	1016925-06	BODY, FRONT - RED.....	1	1
7	1016925-07	BODY, FRONT - LIGHT BLUE .....	1	1
7	1016925-09	BODY, FRONT - DARK BLUE .....	1	1
7	1016925-10	BODY, FRONT - DARK GREEN .....	1	1
8	1016939-01	BODY, FRONT WITH HEADLIGHT OPENING - BEIGE.....	1	1
8	1016939-02	BODY, FRONT WITH HEADLIGHT OPENING - WHITE .....	1	1
8	1016939-04	BODY, FRONT WITH HEADLIGHT OPENING - GRAY .....	1	1
8	1016939-05	BODY, FRONT WITH HEADLIGHT OPENING - GREEN .....	1	1
8	1016939-06	BODY, FRONT WITH HEADLIGHT OPENING - RED.....	1	1
8	1016939-07	BODY, FRONT WITH HEADLIGHT OPENING - LIGHT BLUE .....	1	1
8	1016939-08	BODY, FRONT WITH HEADLIGHT OPENING - DARK BLUE.....	1	1
8	1016939-09	BODY, FRONT WITH HEADLIGHT OPENING - DARK GREEN.....	1	1
9	1011014	TRIM, FRONT BODY .....	1	1
10	1010435	BOLT, ROUND HEAD SQUARE NECK, 5/16 - 18 x 1 .....	2	2
11	0001241	WASHER, FLAT, 5/16 .....	2	2
12	1011017	SCREW, FLANGE LOCK .....	4	4
13	1011394	NUT, SLAB BASE "T" (PACKAGE OF 4) .....	1	1
14	1013983	BUMPER, SIDE GUARD TRIM .....	2	2
15	1012047	SCREW, SELF TAPPING #8 - 32 x 3/8 .....	8	8

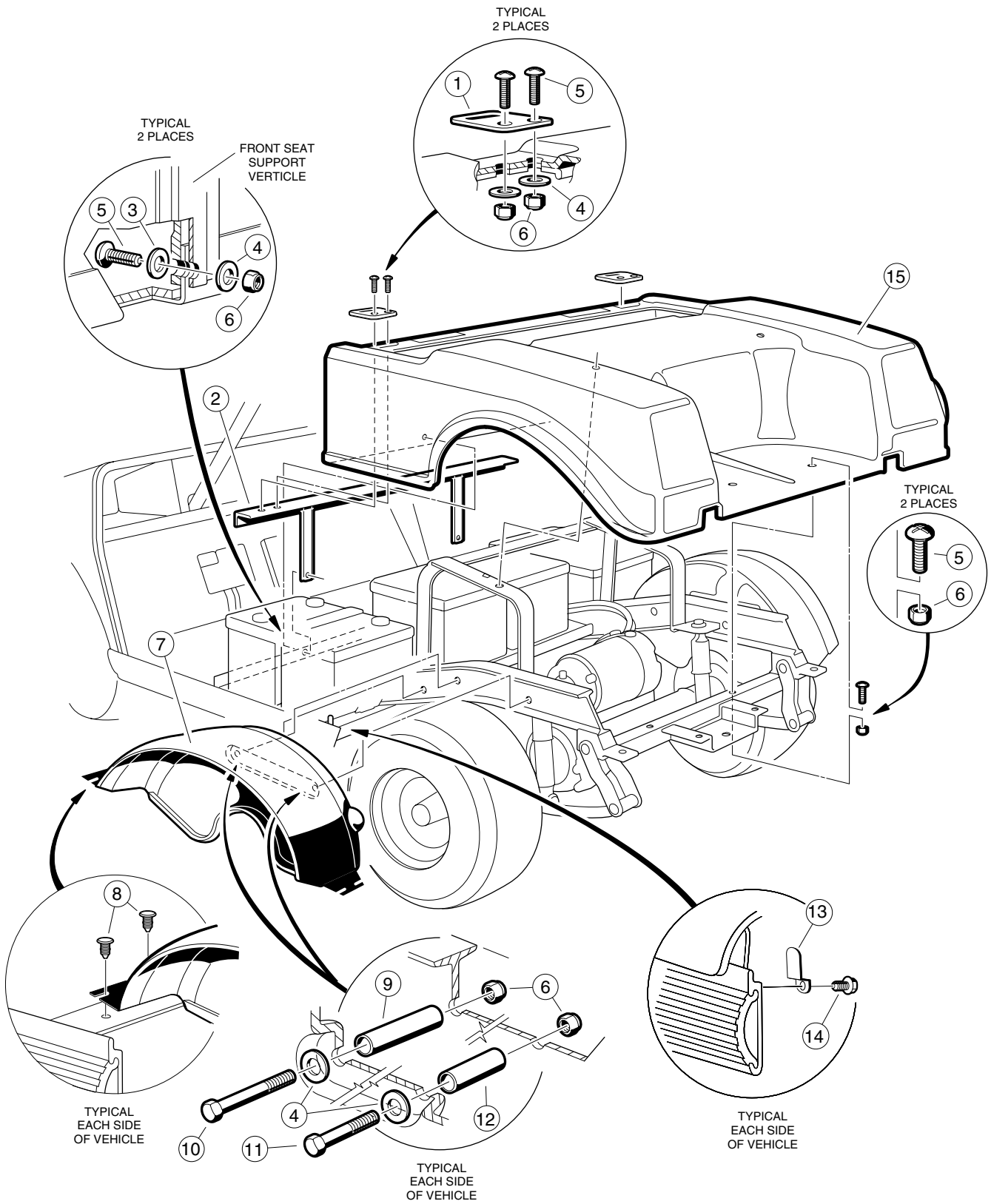
**G**  
**F**  
**1**



# REAR BODY AND FENDER - GASOLINE VEHICLE

ITEM	PART NO.	DESCRIPTION	QTY GAS	QTY ELEC
		1 2 3 4		
1	1012412	PLATE, BODY HINGE.....	2	
2	1014528	WASHER, PLASTIC 1/4 .....	2	
3	1015422	INSULATION, SOUND, RIGHT SIDE FENDER - SHORT .....	1	
4	1015421	INSULATION, SOUND, LEFT SIDE FENDER - LONG.....	1	
5	1016963	INSULATION, SOUND, FRONT.....	1	
6	1017113	INSULATION, SOUND, LEFT SIDE BODY.....	1	
7	1015419	INSULATION, SOUND, BAGWELL AREA.....	1	
8	1015420	INSULATION, SOUND, BODY LEFT / RIGHT FENDER .....	2	
9	1017936	FENDER, INNER .....	2	
10	1010434	BARREL, PLASTIC .....	4	
11	0000304	SCREW, HEX HEAD CAP, 1/4 - 20 x 1 .....	4	
12	1016926-01	BODY, BEIGE .....	1	
12	1016926-02	BODY, WHITE .....	1	
12	1016926-04	BODY, GRAY .....	1	
12	1016926-05	BODY, GREEN .....	1	
12	1016926-06	BODY, RED .....	1	
12	1016926-07	BODY, LIGHT BLUE .....	1	
12	1016926-09	BODY, DARK BLUE .....	1	
12	1016926-10	BODY, DARK GREEN .....	1	
12	1016962-08	BODY WITH TAILLIGHT OPENING, BEIGE .....	1	
12	1016962-09	BODY WITH TAILLIGHT OPENING, WHITE .....	1	
12	1016962-11	BODY WITH TAILLIGHT OPENING, GRAY .....	1	
12	1016962-12	BODY WITH TAILLIGHT OPENING, GREEN.....	1	
12	1016962-13	BODY WITH TAILLIGHT OPENING, RED .....	1	
12	1016962-14	BODY WITH TAILLIGHT OPENING, LIGHT BLUE .....	1	
12	1016962-15	BODY WITH TAILLIGHT OPENING, DARK BLUE .....	1	
12	1016962-16	BODY WITH TAILLIGHT OPENING, DARK GREEN .....	1	
13	1017141	SUPPORT, FRONT BODY .....	1	
14	0000332	WASHER, FLAT, 1/4 .....	10	
15	0008251	SCREW, PHILLIPS HEAD, 1/4 - 20 x 1 .....	8	
16	0008233	NUT, NYLON LOCK, 1/4 - 20.....	12	
17	1015829-02	ACCESS DOOR ASSEMBLY (BLACK) .....	1	
18	1015525	NUT, BLIND, 1/4 - 20 .....	2	
19	1017114	SCREW, PHILLIPS HEAD (BLACK), 1/4 - 20 x 1.....	2	
20	1017748	CLIP, BODY KEEPER .....	2	
21	1012047	SCREW, SELF- TAPPING, #8 - 32 x 3/8.....	2	
	1017220	KIT, BODY SUPPORT RETROFIT ( INCLUDES ITEMS 13 - 16) .....	1	

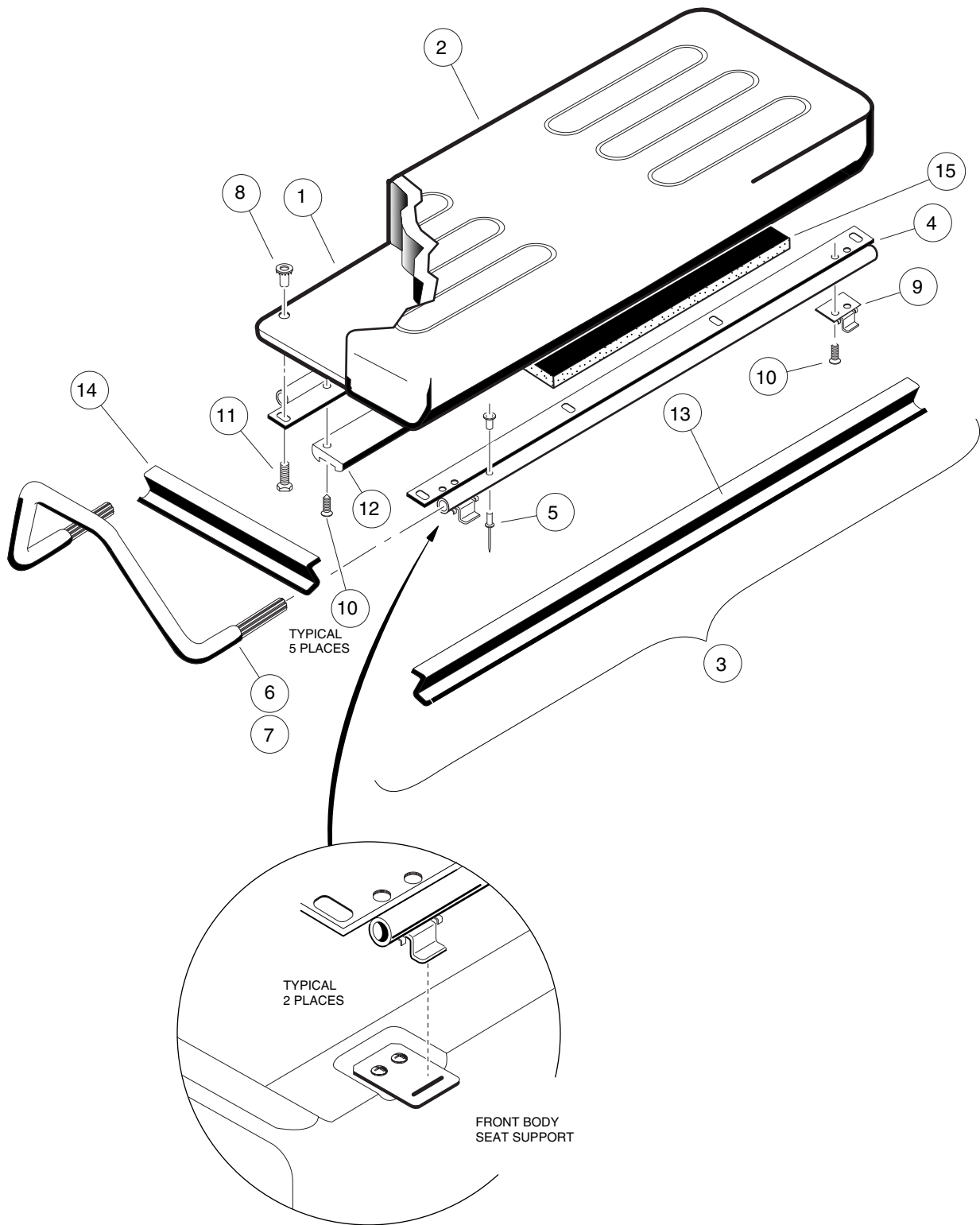
G  
F  
1



# REAR BODY AND FENDER - ELECTRIC VEHICLE

ITEM	PART NO.	DESCRIPTION	QTY GAS	QTY ELEC
		1 2 3 4		
1	1012412	PLATE, BODY HINGE.....		2
2	1017141	SUPPORT, FRONT BODY.....		1
3	1014528	WASHER, PLASTIC FLAT, 1/4.....		2
4	0000332	WASHER, FLAT, 1/4.....		10
5	0008251	SCREW, PHILLIPS HEAD, 1/4 - 20 x 1.....		8
6	0008233	NUT, NYLON LOCK, 1/4 - 20.....		12
7	1017936	FENDER, INNER.....		2
8	1010434	BARREL, PLASTIC.....		4
9	1017814	SPACER, 1 7/8".....		2
10	1012159	BOLT, HEX HEAD, 1/4 - 20 x 2 3/4.....		2
11	0007479	BOLT, HEX HEAD, 1/4 - 20 x 1 1/4.....		2
12	1017815	SPACER, 1/2".....		2
13	1017748	CLIP, BODY KEEPER.....		2
14	1012047	SCREW, SELF-TAPPING, #8 - 32.....		2
15	1016933-01	BODY, BEIGE.....		1
15	1016933-02	BODY, WHITE.....		1
15	1016933-04	BODY, GRAY.....		1
15	1016933-05	BODY, GREEN.....		1
15	1016933-06	BODY, RED.....		1
15	1016933-07	BODY, LIGHT BLUE.....		1
15	1016933-09	BODY, DARK BLUE.....		1
15	1016933-10	BODY, DARK GREEN.....		1
15	1016962-01	BODY WITH TAILLIGHT OPENING, BEIGE.....		1
15	1016962-02	BODY WITH TAILLIGHT OPENING, WHITE.....		1
15	1016962-04	BODY WITH TAILLIGHT OPENING, GRAY.....		1
15	1016962-05	BODY WITH TAILLIGHT OPENING, GREEN.....		1
15	1016962-06	BODY WITH TAILLIGHT OPENING, RED.....		1
15	1016962-07	BODY WITH TAILLIGHT OPENING, LIGHT BLUE.....		1
15	1016962-17	BODY WITH TAILLIGHT OPENING, DARK BLUE.....		1
15	1016962-18	BODY WITH TAILLIGHT OPENING, DARK GREEN.....		1
	1017220	KIT, BODY SUPPORT RETROFIT (INCLUDES ITEMS 2,3,4,5, AND 6).....		1

G  
F  
1

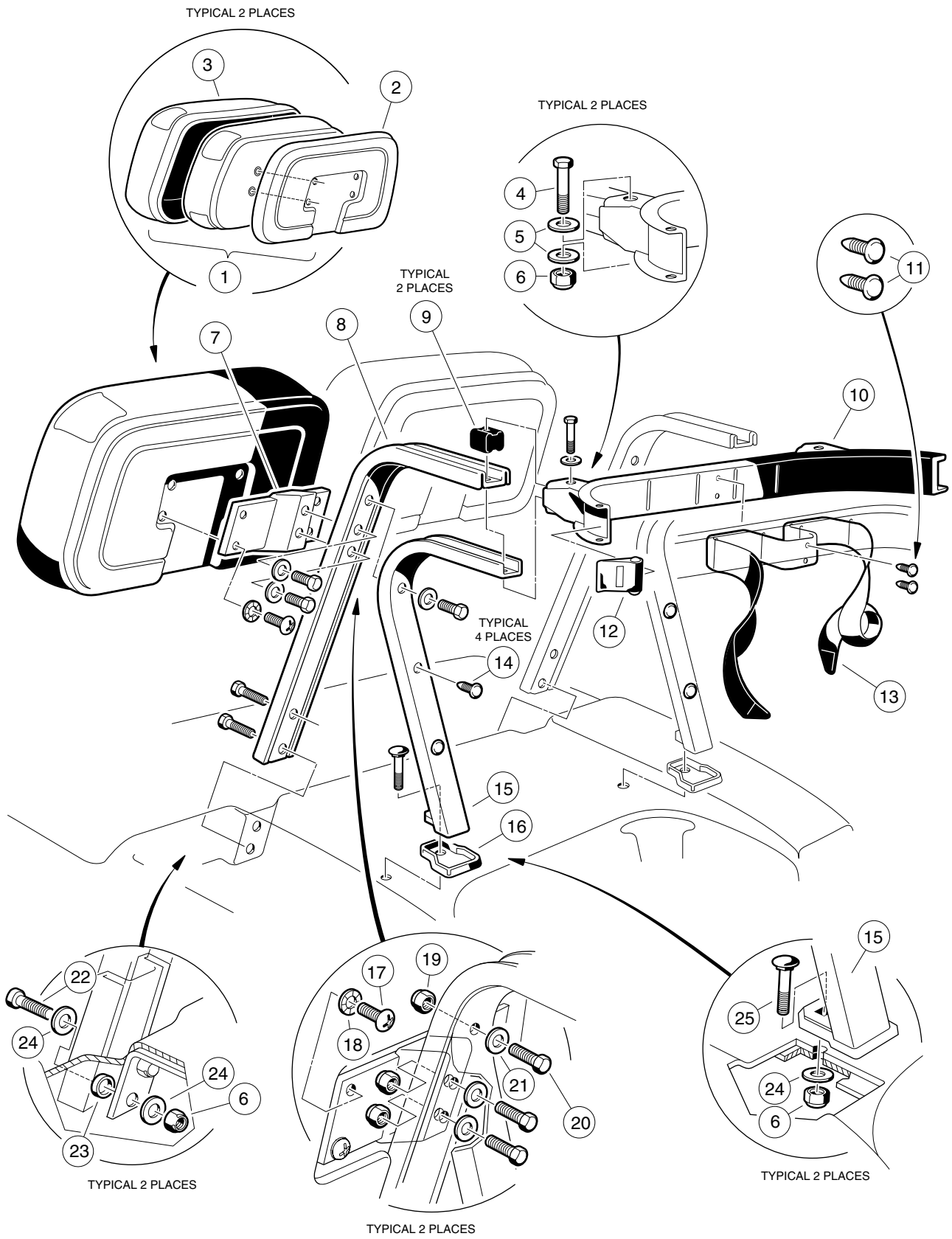




# SEAT BOTTOM AND ARMREST

ITEM	PART NO.	DESCRIPTION	QTY GAS	QTY ELEC
		1 2 3 4		
1	1015648-04	ASSEMBLY, SEAT BOTTOM , BUFF (INCLUDES ITEM 2) .....	1	1
1	1015648-05	ASSEMBLY, SEAT BOTTOM, WHITE (INCLUDES ITEM 2) .....	1	1
2	1015627-01	COVER, VINYL - SEAT COVER BOTTOM, BUFF .....	1	1
2	1015627-02	COVER, VINYL - SEAT COVER BOTTOM, WHITE .....	1	1
3	1015670	ASSEMBLY, ARMREST, SEAT BOTTOM (INCLUDES ITEMS 4 - 8) .....	1	1
4	1015625	BRACKET, SEAT SUPPORT .....	2	2
5	1012327	RIVET, MATING, 3/16 .....	4	4
6	1011786	ASSEMBLY, ARMREST, LEFT .....	1	1
7	1011780	ASSEMBLY, ARMREST, RIGHT .....	1	1
8	1010543	INSERT, WOOD .....	8	8
9	1011652	PLATE, SEAT HINGE .....	2	2
10	1017384	SCREW, WASHER HEAD TAP, #12 .....	9	9
11	0000304	SCREW, CAP HEX HEAD CAP, 1/4 - 20 x 1 .....	8	8
12	1012597	BUMPER, SEAT .....	1	1
13	1012657	GASKET, SEAT, LONG (GASOLINE VEHICLE ONLY) .....	1	
14	1012656	GASKET, SEAT, SHORT (GASOLINE VEHICLE ONLY) .....	2	
15	1015417	INSULATION, SOUND (GASOLINE VEHICLE ONLY) .....	1	

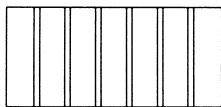
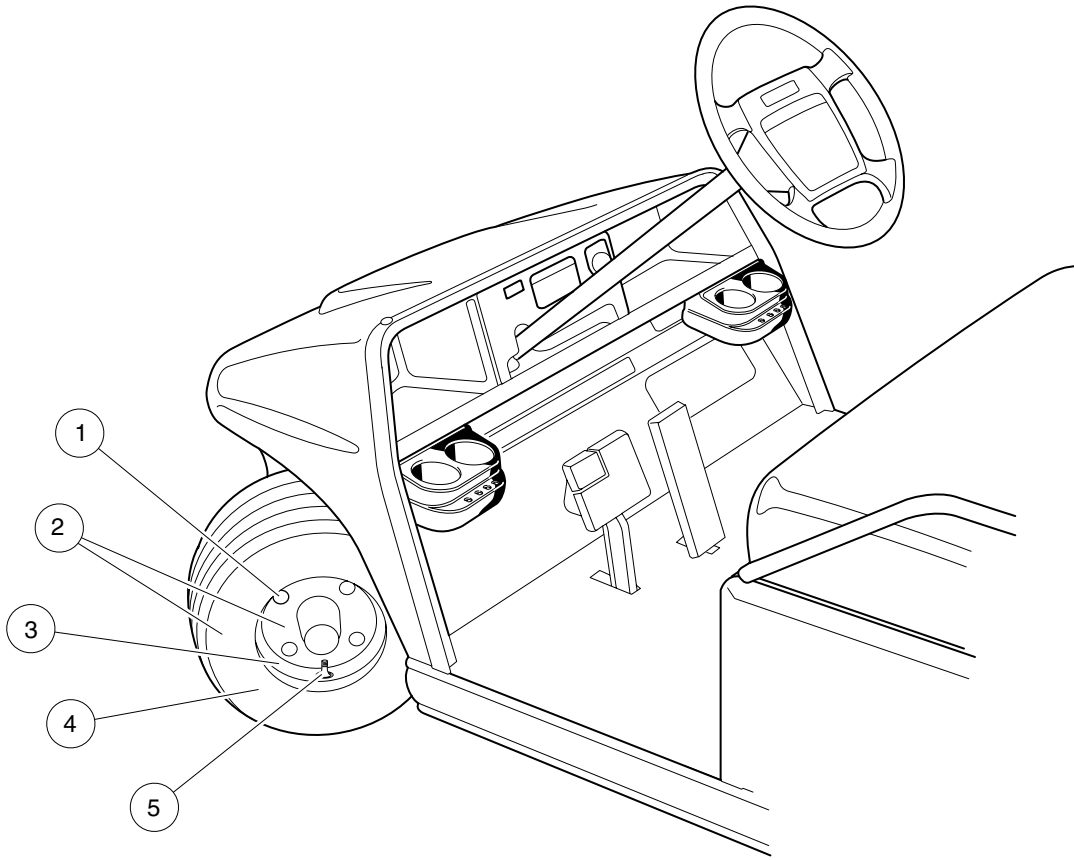
G  
E  
1



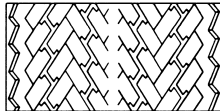
# SEAT BACK AND BAG HOOP

ITEM	PART NO.	DESCRIPTION	QTY GAS	QTY ELEC
		1 2 3 4		
1	1015651-02	ASSEMBLY, SEAT BACK - WHITE WITH BLACK CAP ..... (INCLUDES ITEMS 2 AND 3)	2	2
1	1015651-05	ASSEMBLY, SEAT BACK - BUFF WITH BLACK CAP ..... (INCLUDES ITEMS 2 AND 3)	2	2
2	1013335	CAP, SEAT BACK (BLACK).....	2	2
3	1015626-01	COVER, VINYL, SEAT BACK (BUFF).....	2	2
3	1015626-02	COVER, VINYL, SEAT BACK (WHITE).....	2	2
4	0008935	SCREW, CAP HEX HEAD, 5/16 - 18 x 2 1/4.....	2	2
5	1015075	WASHER, FLAT, 5/16 .....	4	4
6	0007473	NUT, NYLON LOCK, 5/16 - 18.....	8	8
7	1017409	MOUNT, SEAT BACK.....	2	2
8	1011708	SUPPORT, SEAT BACK, MAIN .....	2	2
9	1013884	SPACER, BAG HOOP .....	2	2
10	1013935	ASSEMBLY, BAG HOOP (INCLUDES ITEMS 11, 12 AND 13) .....	1	1
11	1010434	BARREL, PLASTIC (BLACK).....	2	2
12	1013754	BUCKLE, BAG STRAP .....	2	2
13	1010413	ASSEMBLY, BAG STRAP (LONG) .....	1	1
14	1017234	BARREL, FASTENER (GRAY) .....	4	4
15	1011710	ASSEMBLY, KNEE BRACE WELD .....	2	2
16	1011706	PAD, MOUNTING, SEAT BACK SUPPORT .....	2	2
17	0008248	SCREW, PHILLIPS TRUSS HEAD, 1/4 - 20 x 3/4.....	8	8
18	0008304	WASHER, LOCK , 1/4 INTERNAL TOOTH.....	8	8
19	0008233	NUT, NYLON LOCK, 1/4 - 20.....	6	6
20	0007847	SCREW, HEX HEAD, 1/4 - 20 x 3/4 .....	6	6
21	0000332	WASHER, FLAT, 1/4 .....	8	8
22	0001218	SCREW, HEX HEAD CAP, 5/16 - 18 x 1 1/4.....	4	4
23	1017774	SPACER, BODY .....	4	4
24	0001241	WASHER, FLAT, 5/16 .....	6	6
25	0007818	BOLT, ROUND HEAD SQUARE NECK, 5/16 - 18 x 1 1/2 .....	2	2

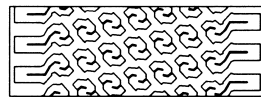
**G**  
**F**  
**1**



RIB TERRA



POWER RIB



SOFTRAC

# WHEELS AND TIRES

ITEM	PART NO.	DESCRIPTION	QTY GAS	QTY ELEC
		1 2 3 4		
1	1011390	NUT, LUG (PACKAGE, 8 PIECES) .....	2	2
2	1015705-01	ASSEMBLY, TIRE AND WHEEL, BEIGE, RIB TERRA.....	4	4
2	1015705-02	ASSEMBLY, TIRE AND WHEEL, BEIGE, POWER RIB .....	4	4
2	1015705-03	ASSEMBLY, TIRE AND WHEEL, BEIGE, SOFTRAC .....	4	4
2	1015705-04	ASSEMBLY, TIRE AND WHEEL, BEIGE, WHITE WALL POWER RIB .....	4	4
2	1016514-01	ASSEMBLY, TIRE AND WHEEL, WHITE, RIB TERRA .....	4	4
2	1016514-02	ASSEMBLY, TIRE AND WHEEL, WHITE, POWER RIB.....	4	4
2	1016514-03	ASSEMBLY, TIRE AND WHEEL, WHITE, SOFTRAC.....	4	4
2	1016514-04	ASSEMBLY, TIRE AND WHEEL, WHITE, WHITE WALL POWER RIB.....	4	4
2	1016514-06	ASSEMBLY, TIRE AND WHEEL, WHITE, POWER RIB, 6 PLY.....	4	4
2	1016514-07	ASSEMBLY, TIRE AND WHEEL, WHITE, SOFTRAC, 6 PLY.....	4	4
3	1015707	WHEEL RIM, BEIGE .....	4	4
3	1014771	WHEEL RIM, WHITE .....	4	4
4	0007271	TIRE, UNMOUNTED, RIB TERRA .....	4	4
4	1015672	TIRE, UNMOUNTED, POWER RIB.....	4	4
4	1015674	TIRE, UNMOUNTED, SOFTRAC .....	4	4
4	1015945	TIRE, UNMOUNTED, WHITE WALL POWER RIB .....	4	4
4	1017370	TIRE, UNMOUNTED, POWER RIB, 6 PLY.....	4	4
4	1017693	TIRE, UNMOUNTED, SOFTRAC, 6 PLY .....	4	4
5	0007310	STEM, VALVE .....	4	4

G  
E  
1



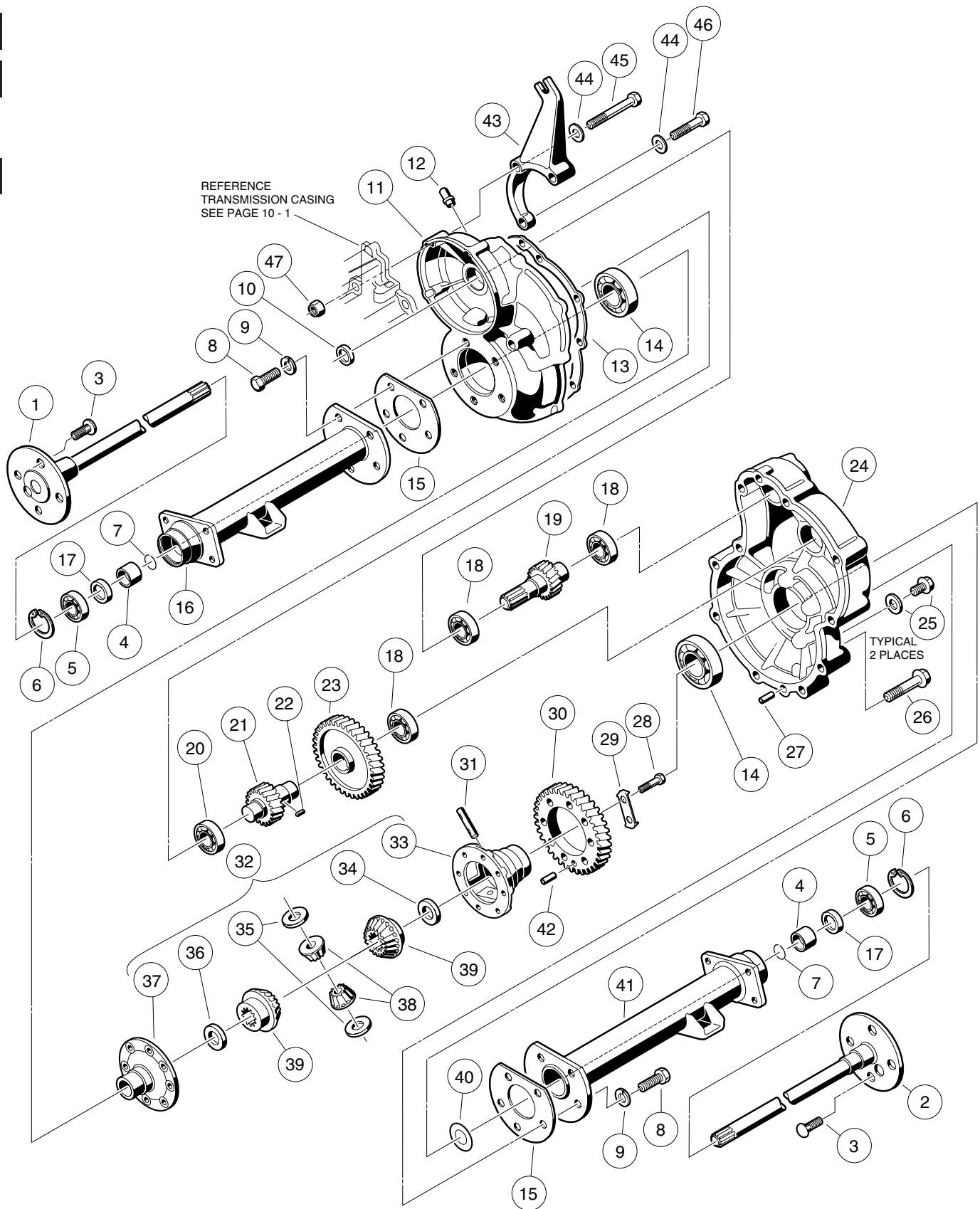
# ***TRANSAXLE***

---

**G**

**F**

**2**





# TRANSAXLE

ITEM	PART NO.	DESCRIPTION	QTY GAS	QTY ELEC
		1 2 3 4		
	1017683-02	TRANSAXLE (INCLUDES ITEMS 1 - 42) .....	1	1
1	1013785	AXLE ASSEMBLY, RIGHT (INCLUDES ITEMS 3 - 7) .....	1	1
2	1013786	AXLE ASSEMBLY, LEFT (INCLUDES ITEMS 3 - 7) .....	1	1
3	1013787	STUD, LUG .....	8	8
4	1014207	BUSHING, 25 MM I. D. ....	1	1
5	1011291	BEARING, OUTER AXLE TUBE .....	2	2
6	1013792	CIRCLIP, TYPE C .....	2	2
7	1016672	RING, RETAINING .....	2	2
8	1013790	BOLT, M10 x 1.5 x 30MM .....	10	10
9	1013791	WASHER, LOCK, 13/32 .....	10	10
10	1013775	SEAL, INPUT SHAFT OIL .....	1	1
11	1013756	GEAR CASE, RIGHT .....	1	1
12	1012711	BREATHER .....	1	1
13	1013758	GASKET, CASE .....	1	1
14	0007330	BEARING, INNER AXLE TUBE .....	2	2
15	1013789	GASKET, AXLE TUBE .....	2	2
16	1017704	ASSEMBLY, AXLE TUBE, RIGHT SIDE .....	1	1
17	1013794	SEAL, AXLE SHAFT OIL .....	2	2
18	0007335	BEARING, INPUT GEAR .....	3	3
19	1013764	SHAFT, INPUT .....	1	1
20	0007336	BEARING, INTERMEDIATE GEAR .....	1	1
21	1013766	GEAR, INTERMEDIATE, SMALL .....	1	1
22	1013780	KEY, SUNK .....	1	1
23	1013765	GEAR, INTERMEDIATE, LARGE .....	1	1
24	1013757	GEAR CASE, LEFT .....	1	1
25	1013759	PLUG, FILL, WITH GASKET .....	2	2
26	1013763	BOLT, M6 x 1 x 50MM .....	10	10
27	1012710	PIN, DOWEL .....	2	2
28	1013779	BOLT, M8 x 1.25 x 37MM .....	8	8
29	1013782	PLATE, LOCK .....	4	4
30	1013767	GEAR, OUTPUT .....	1	1
31	1013772	PIN, DIFFERENTIAL .....	1	1
32	1019105-01	KIT, DIFFERENTIAL GEAR CASE (INCLUDES ITEMS 33 - 37) (USE WHOLE KIT AS RECEIVED. SOME KITS DO NOT CONTAIN ITEM 34) .....	1	1
33	1013768	GEAR CASE, DIFFERENTIAL (LEFT) .....	1	1
34	1013773	PLATE, THRUST (DIFFERENTIAL GEAR) (WHEN REPLACING THRUST PLATES ONLY, REPLACE PER ORIGINAL ASSEMBLY) .....	1	1
35	1013774	PLATE, THRUST (IDLER GEAR) .....	2	2
36	1013773	PLATE, THRUST (DIFFERENTIAL GEAR) .....	1	1
37	1013769	GEAR CASE, DIFFERENTIAL (RIGHT) .....	1	1
38	1013770	GEAR, DIFFERENTIAL IDLER .....	1	1
39	1013771	GEAR, DIFFERENTIAL .....	2	2
40	1013781	SHIM .....	1	1
41	1017703	ASSEMBLY, AXLE TUBE, LEFT SIDE .....	1	1
42	1014193	PIN, DOWEL .....	1	1
43	1013866	KIT, TRANSMISSION CABLE SUPPORT BRACKET (INCLUDES 44 - 47) .....	1	
44	0000332	WASHER, FLAT, 1/4 .....	6	
45	1013872	SCREW, HEX HEAD CAP, 1/4 - 20 x 4 .....	2	
46	1012462	SCREW, HEX HEAD CAP, 1/4 - 20 x 3 1/2 .....	1	
47	0008233	NUT, NYLON LOCK, 1/4 - 20 .....	3	

**G**  
**F**  
**2**



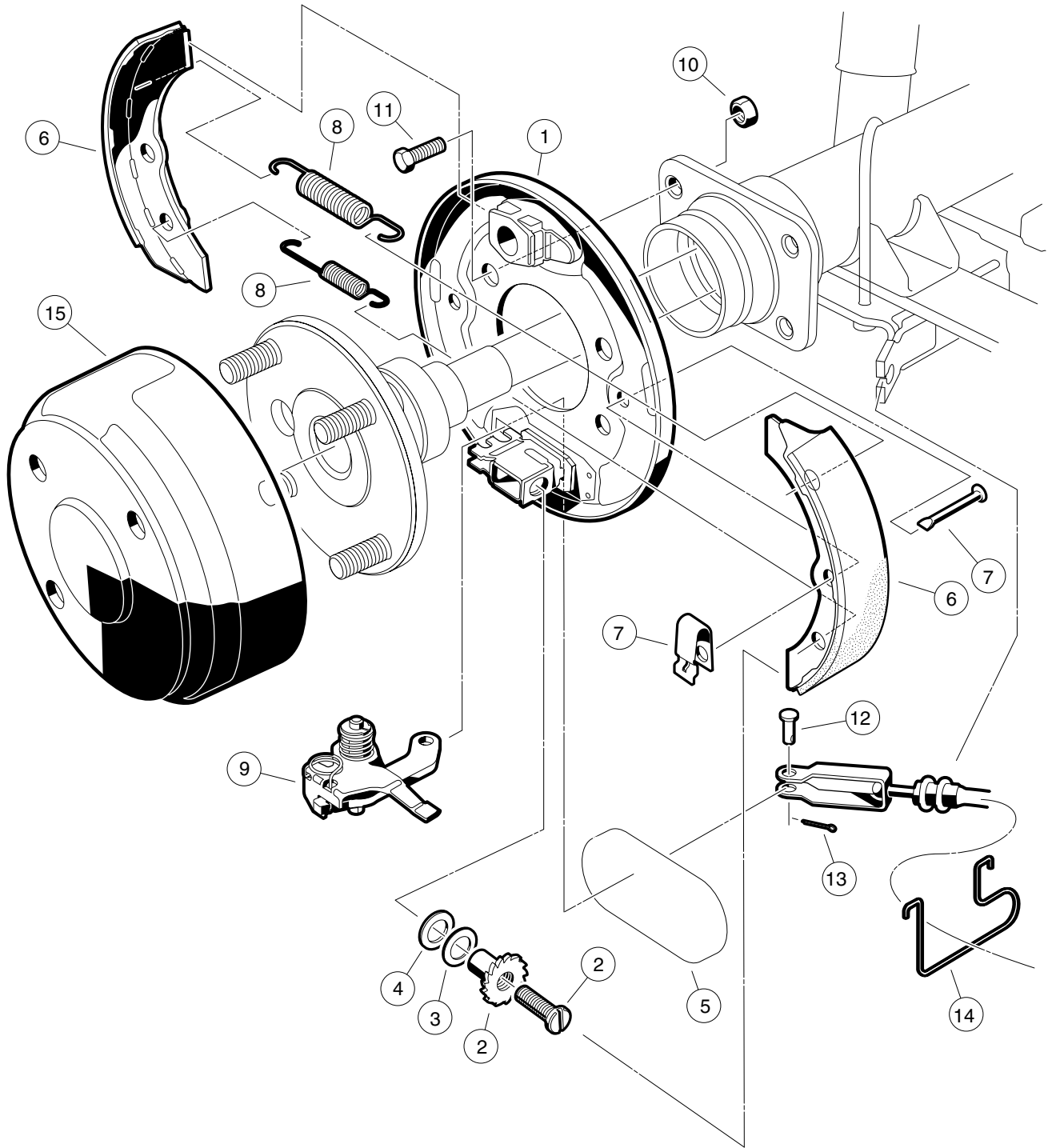
# ***BRAKES AND PEDAL AND CABLE ASSEMBLIES***

---

**G**

**F**

**3**

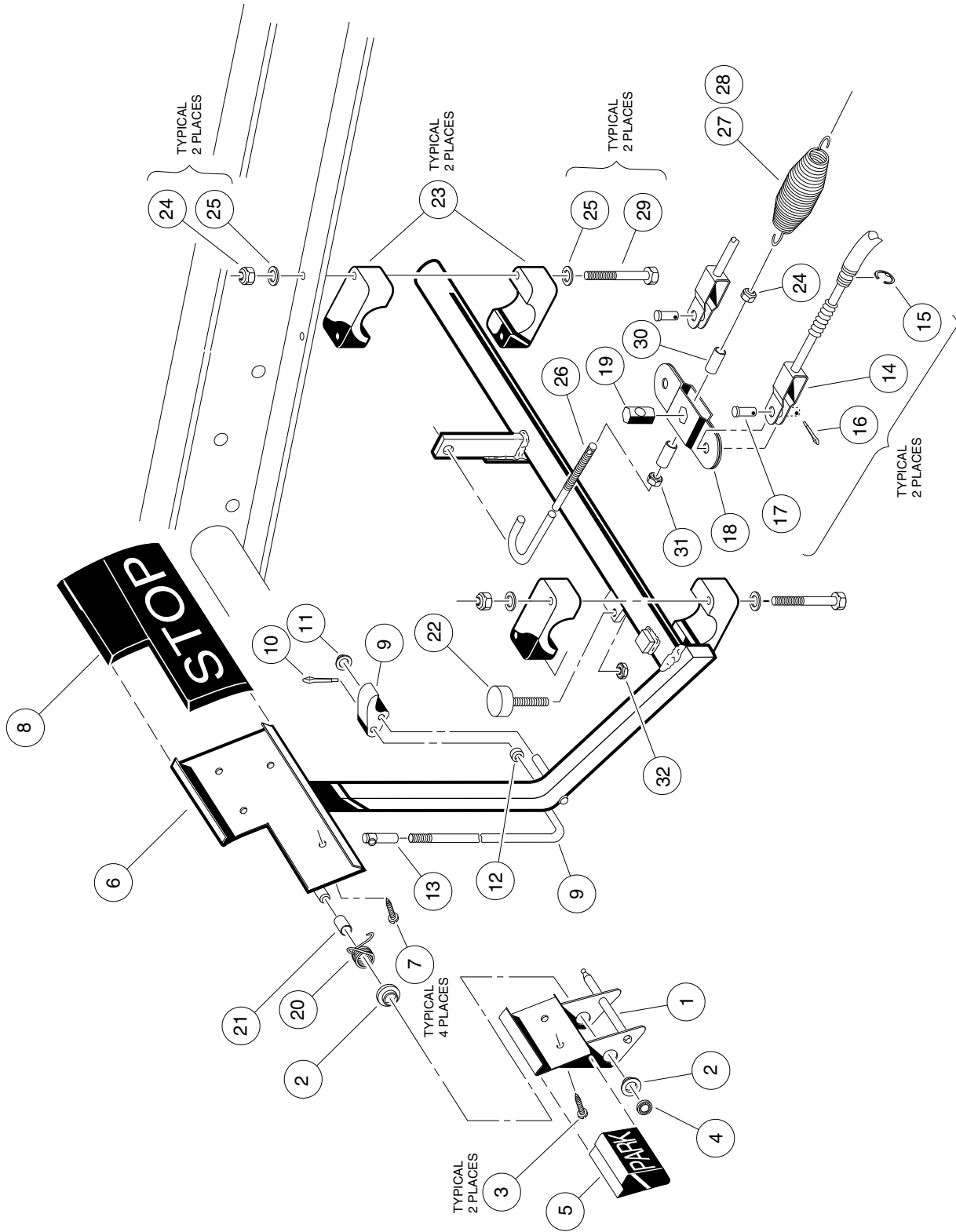


# BRAKE ASSEMBLY

ITEM	PART NO.	DESCRIPTION	QTY GAS	QTY ELEC
		1 2 3 4		
	1018233-01	CLUSTER, RIGHT BRAKE (INCLUDES ITEMS 1 - 8) .....	1	1
	1018233-02	CLUSTER, LEFT BRAKE (INCLUDES ITEMS 1 - 8) .....	1	1
1	1018240-01	ASSEMBLY, BACKING PLATE, RIGHT (INCLUDES ITEMS 2 - 4) .....	1	1
1	1018240-02	ASSEMBLY, BACKING PLATE, LEFT (INCLUDES ITEMS 2 - 4) .....	1	1
2	1018165-01	MECHANISM, ADJUSTING, RIGHT .....	1	1
2	1018165-02	MECHANISM, ADJUSTING, LEFT .....	1	1
3	1018239-01	WASHER .....	1	1
4	1018238-01	WASHER, PLATE .....	1	1
5	1010850	COVER, DUST .....	1	1
6	1018232-01	PACKAGE, BRAKE SHOE (4 PCS.) .....	1	1
7	1011466	KIT, SHOE RETAINER .....	1	1
8	1018163-01	PACKAGE, BRAKE SPRING (4 PCS.) .....	1	1
9	1018155-01	ASSEMBLY, LEVER - RIGHT .....	1	1
9	1018155-02	ASSEMBLY, LEVER - LEFT .....	1	1
10	1013924	NUT, HEX CONE, 5/16 - 24 .....	8	8
11	1014153	BOLT, BRAKE CLUSTER MOUNTING .....	8	8
12	1010829	PIN, CLEVIS, 5/16 .....	2	2
13	0001035	PIN, COTTER, 3/32 X 1 .....	2	2
14	1013207	HANGER, BRAKE CABLE .....	2	2
15	1017911-01	DRUM, BRAKE .....	2	2

G  
E

3

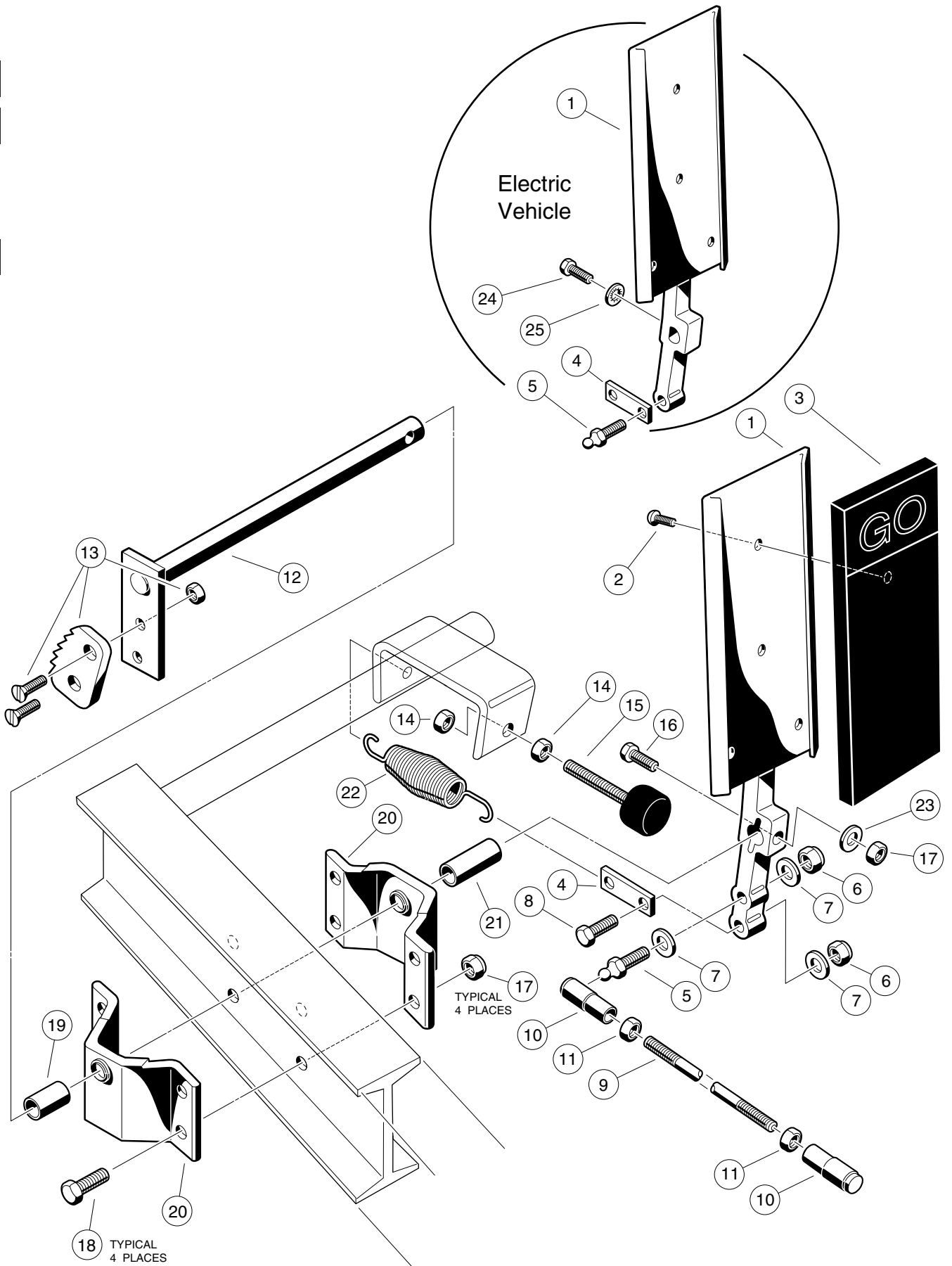


# BRAKE PEDAL AND CABLE ASSEMBLY

ITEM	PART NO.	DESCRIPTION	QTY GAS	QTY ELEC
		1 2 3 4		
1	1011418	KIT, HILL BRAKE PEDAL (INCLUDES ITEMS 2 - 5) .....	1	1
2	0001032	BUSHING, NYLON .....	2	2
3	0007716	SCREW, SLOTTED HEX WASHER HEAD, #10 -16 x 1/2 .....	2	2
4	1013876	NUT, PUSH, 3/8 .....	1	1
5	1013870	PAD, HILL BRAKE .....	1	1
6	1011406	KIT, BRAKE PEDAL (INCLUDES ITEMS 7 AND 8) .....	1	1
7	0007716	SCREW, SLOTTED HEX WASHER HEAD, #10 - 16 x 1/2 .....	4	4
8	1013869	PAD, BRAKE PEDAL .....	1	1
9	1016173	KIT, HILL BRAKE ROD AND PAWL (INCLUDES ITEMS 10 - 13) .....	1	1
10	1017029	PIN, COTTER, 7/64 x 1/2 .....	1	1
11	1010877	NUT, PUSH, 5/16 .....	1	1
12	1010805	SLEEVE, HILL BRAKE ROD .....	1	1
13	1010932	JOINT, BALL, 1/4 - 28 .....	1	1
14	1011403	KIT, BRAKE CABLE (INCLUDES ITEMS 15, 16 AND 17) .....	2	2
15	1011779	CLIP, E-50 ROTOR, 1/2" .....	4	4
16	0001035	PIN, COTTER, 3/32 x 1 .....	2	2
17	1010829	PIN, CLEVIS, 5/16 .....	2	2
18	1017211	KIT, EQUALIZER AND PIVOT LIMITER (INCLUDES ITEM 19) .....	1	1
19	N/A	PIN, EQUALIZER PIVOT .....	1	1
20	1010933	SPRING, HILL BRAKE TORSION .....	1	1
21	1010927	SPACER, HILL BRAKE .....	1	1
22	1010878	STOP, BRAKE .....	1	1
23	1011402	PACKAGE, BRAKE MOUNTING BLOCK (CONTAINS UPPER AND LOWER FOR LEFT AND RIGHT SIDES) .....	1	1
24	0008986	NUT, DIMPLED LOCK, 5/16 - 18 .....	5	5
25	0001241	WASHER, FLAT, 5/16 .....	8	8
26	1010808	ROD, EQUALIZER .....	1	1
27	1013532	SPRING, BRAKE RETURN (GASOLINE VEHICLE) .....	1	
28	1013531	SPRING, BRAKE RETURN (ELECTRIC VEHICLE) .....		1
29	1010921	SCREW, HEX HEAD CAP, 5/16 - 18 x 2 1/2 .....	4	4
30	1018653-01	SPACER, EQUALIZER .....	2	2
31	0001242	NUT, HEX, 5/16 - 18 .....	1	1
32	0001028	NUT, HEX, 1/4 - 20 .....	1	1

**G**  
**F**

**3**





# ACCELERATOR PEDAL ASSEMBLY

ITEM	PART NO.	DESCRIPTION	QTY GAS	QTY ELEc
		1 2 3 4		
1	1016377-01	ASSEMBLY, ACCELERATOR PEDAL (GASOLINE VEHICLE) (INCLUDES ITEMS 2 - 8) .....	1	
1	1010969	ASSEMBLY, ACCELERATOR PEDAL (ELECTRIC VEHICLE) (INCLUDES ITEMS 2 - 5) .....		1
2	0007716	SCREW, SLOTTED HEX WASHER HEAD, #10 - 16 x 1/2.....	4	4
3	1013871	PAD, ACCELERATOR PEDAL .....	1	1
4	1011691	HANGER, ACCELERATOR PEDAL SPRING .....	1	1
5	1016157	STUD, BALL 1/4 - 28 x 1 (GASOLINE VEHICLE) .....	1	
5	1010954	STUD, BALL 1/4 - 28 (ELECTRIC VEHICLE) .....		1
6	0008717	NUT, NYLON HEX, 1/4 - 28 .....	2	
7	1014007	WASHER, FLAT, 1/4 .....	3	
8	0007510	SCREW, HEX HEAD CAP, 1/4 - 28 x 1 1/4 .....	1	
9	1016168	ASSEMBLY, ACCELERATOR ROD (GASOLINE VEHICLE) (INCLUDES ITEMS 10 & 11) .....	1	
9	1014085	ASSEMBLY, ACCELERATOR ROD (ELECTRIC VEHICLE) (INCLUDES ITEMS 10 & 11) .....		1
10	1011734	JOINT, BALL, SPRING LOADED 1/4 - 28.....	2	2
11	1011084	NUT, HEX JAM 1/4 - 28.....	2	2
12	1016166	ASSEMBLY, SUB, ACCELERATOR PIVOT ROD (GASOLINE VEHICLE) (INCLUDES ITEMS 13) .....	1	
12	1010973	ASSEMBLY, SUB, ACCELERATOR PIVOT ROD (ELECTRIC VEHICLE) (INCLUDES ITEMS 13) .....		1
13	1011877	KIT, HILL BRAKE LATCH .....	1	1
14	0001028	NUT, HEX, 1/4 - 20.....	1	1
15	1010878	STOP, BRAKE .....	1	1
16	1016619	SCREW, HEX HEAD CAP, 1/4 - 20 x 1 1/2.....	1	1
17	0008233	NUT, NYLON LOCK, 1/4 - 20.....	5	4
18	0007479	SCREW, HEX HEAD CAP, 1/4 - 20 x 1 1/4.....	4	4
19	1011699	SPACER, 1/2 .....	1	1
20	1011694	BRACKET, ACCELERATOR BEARING .....	2	2
21	1011700	SPACER, ACCELERATOR.....	1	1
22	1012075	SPRING, EXTENSION .....	1	1
23	0000332	WASHER, FLAT, 1/4 .....	1	
24	0000403	SCREW, HEX HEAD CAP, 1/4 - 20 x 5/8 .....		1
25	0008304	WASHER, INTERNAL TOOTH, 1/4.....		1

**G**  
**F**

**3**



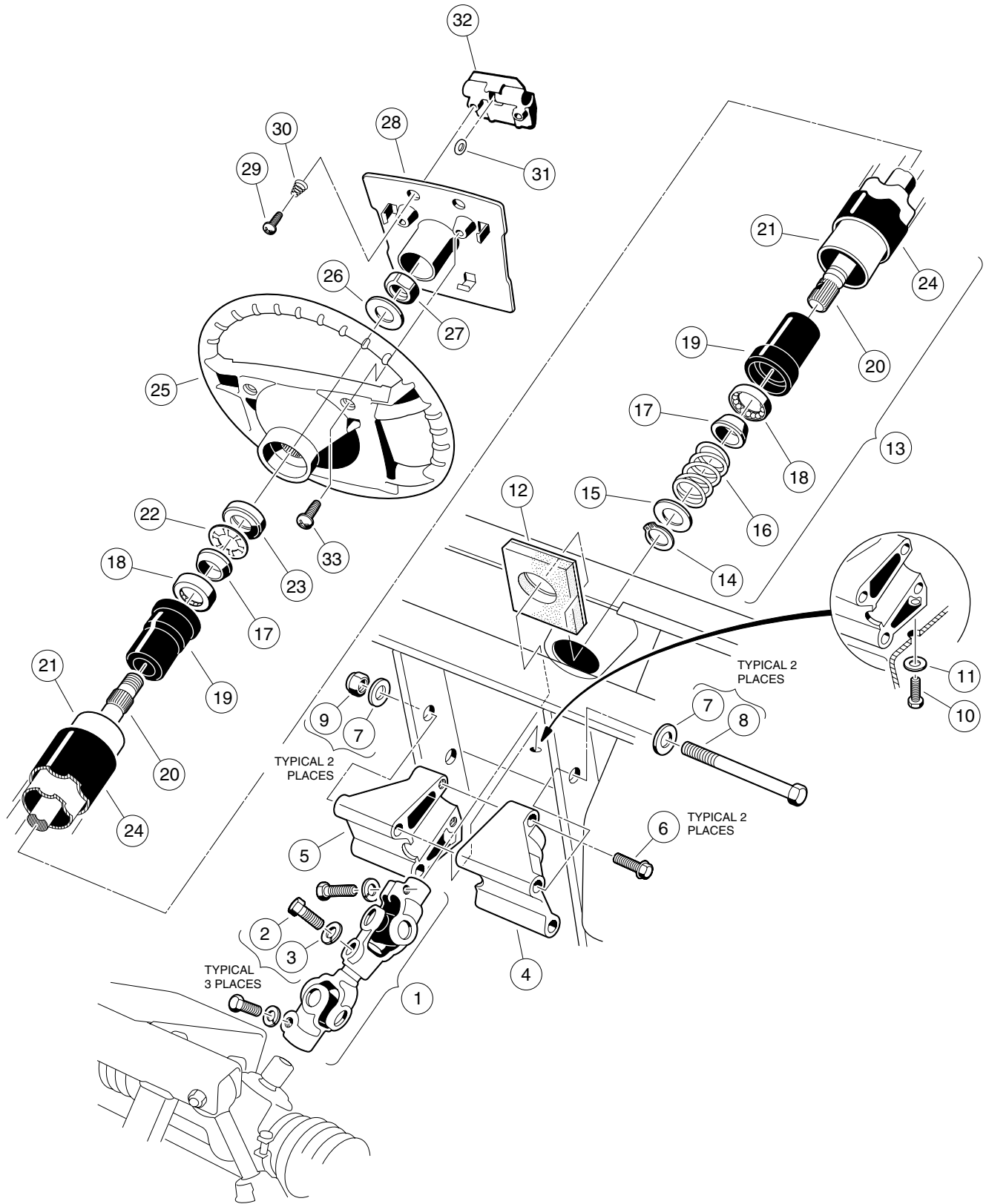
# ***STEERING AND SUSPENSION***

---

**G**

**F**

**4**

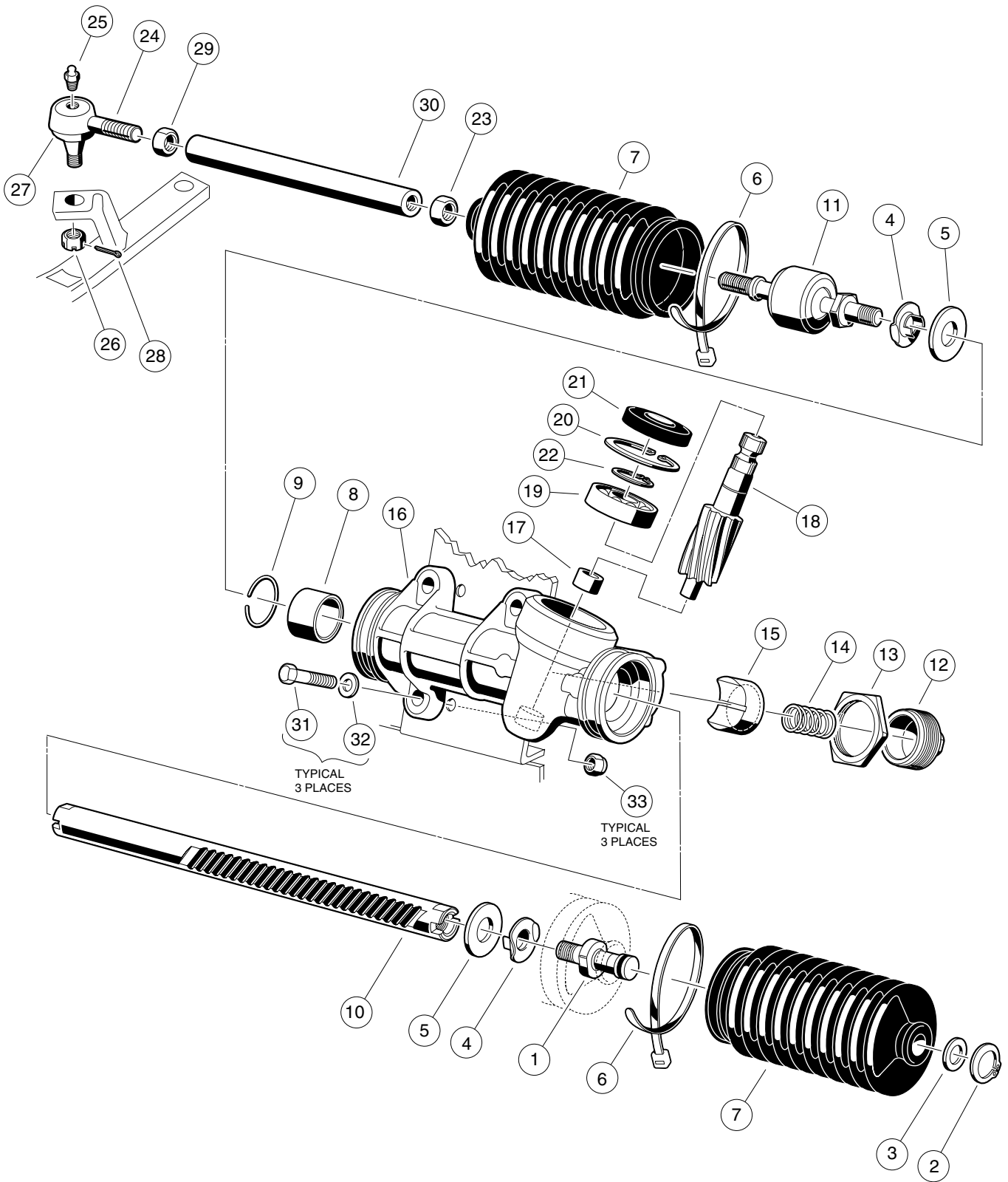


# STEERING COLUMN

ITEM	PART NO.	DESCRIPTION	QTY GAS	QTY ELEC
		1 2 3 4		
1	1013861	JOINT, COMPOUND STEERING (INCLUDES ITEMS 2 AND 3) .....	1	1
2	1017226	SCREW, HEX HEAD CAP M8 x 1.25 x 30MM .....	3	3
3	0007174	WASHER, LOCK, 5/16 .....	3	3
4	1016185	MOUNT, STEERING COLUMN, LEFT HAND .....	1	1
5	1016184	MOUNT, STEERING COLUMN, RIGHT HAND .....	1	1
6	1016269	SCREW, HEX WASHER HEAD THREAD FORMING 5/16 - 18 x 2.....	2	2
7	0000334	WASHER, FLAT, 3/8 .....	4	4
8	1016183	SCREW, HEX HEAD CAP, 3/8 - 16 x 6 3/4.....	2	2
9	0008754	NUT, NYLON LOCK, 3/8 - 16 .....	2	2
10	1014288	SCREW, HEX WASH HEAD MACHINE 5/16 - 18 x 3/4.....	1	1
11	1011697	WASHER, FLAT, 5/16 .....	1	1
12	1012499	BOOT, STEERING COLUMN .....	1	1
13	1016181	ASSEMBLY, STEERING COLUMN (INCLUDES ITEMS 14 - 23) .....	1	1
14	1012605	RING, RETAINING .....	1	1
15	1012604	WASHER, STEEL, 5/8.....	1	1
16	1014217	SPRING, COMPRESSION.....	1	1
17	1014125	WEDGE .....	2	2
18	1014213	ASSEMBLY, BEARING .....	2	2
19	1014126	SEAT, BEARING .....	2	2
20	1015545	SHAFT, STEERING COLUMN .....	1	1
21	1016622	COLUMN, ALUMINUM STEERING .....	1	1
22	1014214	RING, RETAINING .....	1	1
23	1014211	SEAL, BEARING .....	1	1
24	1016263	COVER, BEARING TUBE .....	1	1
25	1016156	WHEEL, STEERING .....	1	1
26	1012604	WASHER, STEEL, 5/8.....	1	1
27	1017273	NUT, NYLON JAM, 5/8 - 18 .....	1	1
28	1016219	ASSEMBLY, SCORECARD PLATE (INCLUDES ITEMS 29 - 32) .....	1	1
29	1012565	SCREW, ROUND HEAD, #12 - 14 x 1 .....	2	2
30	1012566	SPRING, TAPERED COMPRESSION .....	2	2
31	1016214	GRIP, PENCIL .....	1	1
32	1016154	CLIP, SCORE CARD .....	1	1
33	1010715	SCREW, PHILLIPS, #10 - 14 x 3/8.....	2	2

**G**  
**F**

**4**

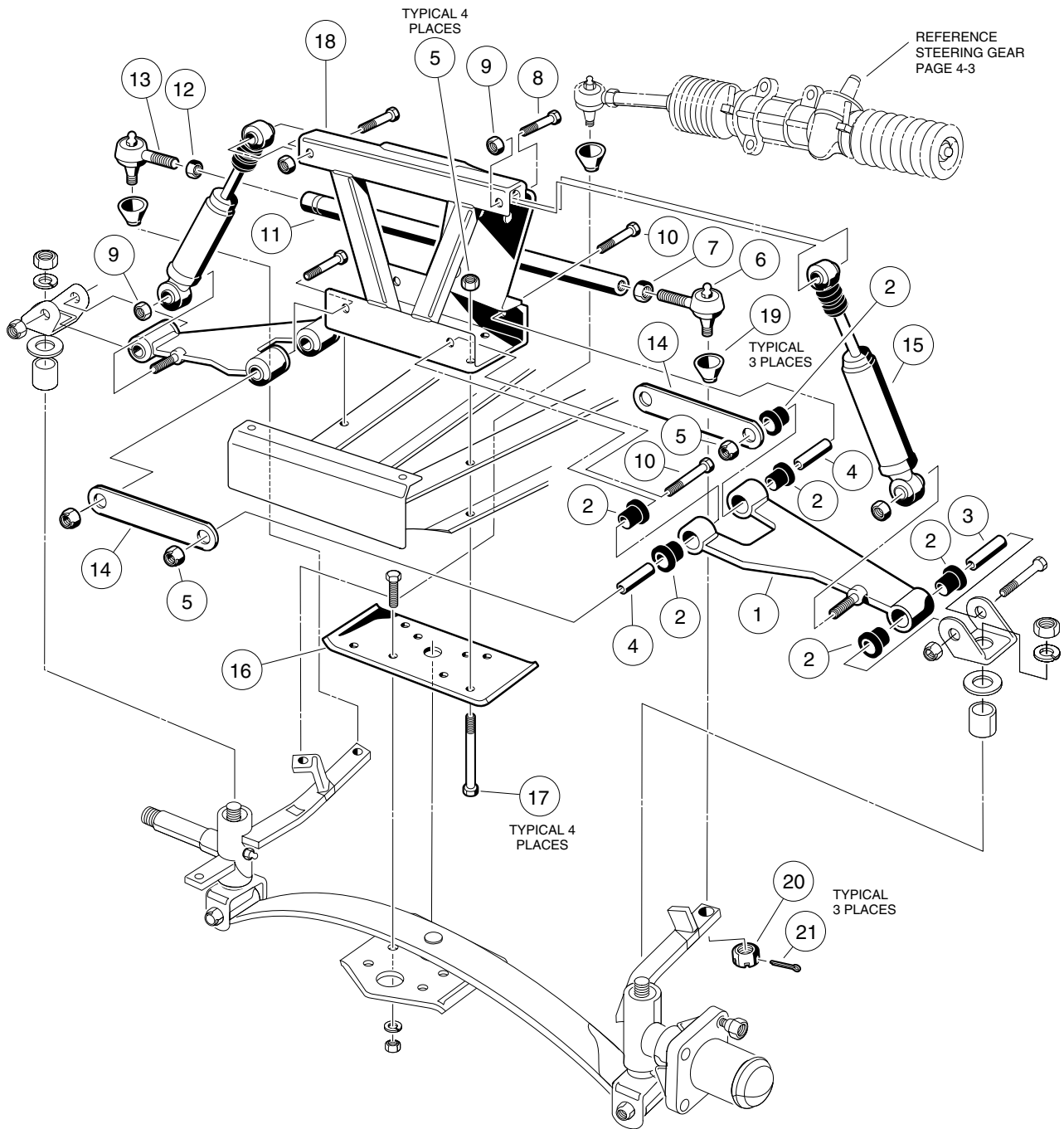


# STEERING GEAR ASSEMBLY

ITEM	PART NO.	DESCRIPTION	QTY GAS	QTY ELEC
		1 2 3 4		
	1012452	ASSEMBLY, STEERING GEAR BOX (INCLUDES ITEMS 1 - 22) .....	1	1
1	1018309-01	BOLT, STOPPER KIT (INCLUDES ITEMS 2 AND 3) .....	1	1
2	N/A	RING, SNAP .....	1	1
3	N/A	WASHER, END .....	1	1
4	1013040	WASHER, LOCK, TIE ROD .....	2	2
5	1013039	WASHER, TIE ROD STOPPER .....	2	2
6	0008990	TIE WRAP.....	2	2
7	1013035	SEAL, DUST .....	2	2
8	1013036	BUSHING, RACK .....	1	1
9	1013037	RING, SNAP .....	1	1
10	N/A	RACK, STEERING .....	1	1
11	1013041	RACK, END.....	1	1
12	N/A	SCREW, RACK GUIDE .....	1	1
13	1013044	NUT, LOCK, RACK SCREW .....	1	1
14	1013045	SPRING, RACK GUIDE PRESSURE .....	1	1
15	1013046	GUIDE, STEERING RACK.....	1	1
16	N/A	BOX, STEERING GEAR.....	1	1
17	N/A	BUSHING, PINION.....	1	1
18	N/A	PINION, STEERING.....	1	1
19	1012884	BEARING, BALL .....	1	1
20	1013051	RING, SNAP .....	1	1
21	1013052	SEAL, DUST, STEERING PINION .....	1	1
22	1013031	RING, EXTERNAL RETAINING .....	1	1
23	1013042	NUT, HEX, M12 x 1.75 .....	1	1
24	0007540	SOCKET, VERTICAL LEFT HAND (INCLUDES ITEMS 25, 26 AND 27) .....	1	1
25	1015597	FITTING, THREAD FORM GREASE, 1/4 - 28 .....	1	1
26	0007602	NUT, HEX SLOTTED, 3/8 - 24 .....	1	1
27	1011930	BOOT, DUST .....	1	1
28	0001035	PIN, COTTER, 3/32 x 1 .....	1	1
29	0007555	NUT, HEX, 1/2 - 20.....	1	1
30	1012467	LINK, RACK AND PINION DRAG .....	1	1
31	0001624	BOLT, HEX HEAD, 3/8 - 16 x 1 1/2 .....	3	3
32	0000334	WASHER, FLAT, 3/8 .....	3	3
33	1010138	NUT, DIMPLED LOCK, 3/8 - 16 .....	3	3

**G**  
**F**

**4**



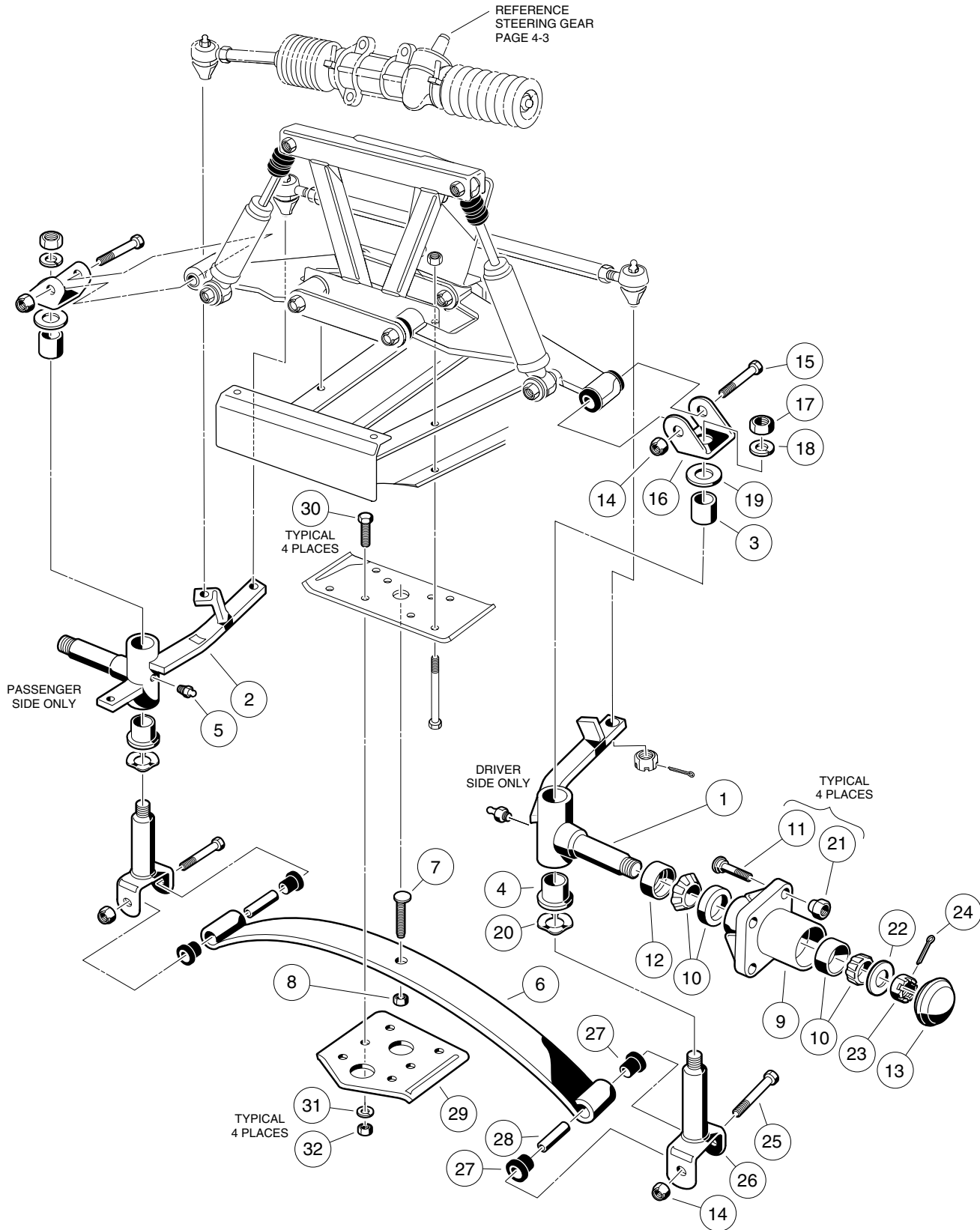


# FRONT SUSPENSION - UPPER

ITEM	PART NO.	DESCRIPTION	QTY GAS	QTY ELEC
		1 2 3 4		
1	1016353	ASSEMBLY, DELTA A-PLATE (INCLUDES ITEMS 2, 3 AND 4) .....	2	2
2	1016346	BUSHING, URETHANE .....	6	6
3	1016350	SLEEVE, DELTA OUTER .....	1	1
4	1016349	SLEEVE, DELTA INNER .....	2	2
5	0008754	NUT, NYLON LOCK, 3/8 - 16 .....	8	8
6	0007539	BALL JOINT .....	1	1
7	0001308	NUT, HEX, 1/2 - 20 .....	1	1
8	0001624	BOLT, HEX HEAD, 3/8 - 16 x 1 1/2 .....	2	2
9	1010138	NUT, DIMPLED LOCK, 3/8 - 16 .....	4	4
10	0002402	SCREW, HEX CAP, 3/8 - 16 x 2 1/4 .....	4	4
11	1010219	ROD, TIE .....	1	1
12	0007555	NUT, HEX, LEFT HAND THREAD, 1/2 - 20 .....	1	1
13	0007540	BALL JOINT, LEFT HAND THREAD .....	1	1
14	1017266	STRAP, A-PLATE .....	2	2
15	1015813	SHOCK ABSORBER, FRONT (GASOLINE VEHICLE ONLY) .....	2	
15	1014235	SHOCK ABSORBER, FRONT (ELECTRIC VEHICLES ONLY) .....		2
16	1010124	PLATE, SPRING MOUNTING .....	1	1
17	1010200	BOLT, HEX HEAD, 3/8 - 16 x 4 1/4 .....	4	4
18	1016385	ASSEMBLY, DELTA SHOCK AND GEAR SUPPORT .....	1	1
19	1011930	SEAL, DUST .....	3	3
20	0007602	NUT, SLOTTED HEX, 3/8 - 24 .....	3	3
21	0001035	PIN, COTTER, 3/32 x 1 .....	1	1

**G**  
**F**

**4**



# FRONT SUSPENSION - LOWER

ITEM	PART NO.	DESCRIPTION	QTY GAS	QTY ELEC
		1 2 3 4		
1	1010348	ASSEMBLY, LEFT SPINDLE (INCLUDES ITEMS 3, 4 AND 5) .....	1	1
2	1010347	ASSEMBLY, RIGHT SPINDLE (INCLUDES ITEMS 3, 4 AND 5) .....	1	1
3	0008067	BUSHING, BRONZE SPINDLE .....	1	1
4	0007048	BUSHING, BRONZE .....	1	1
5	1015597	FITTING, GREASE, 1/4 - 28 .....	1	1
6	1015108	SPRING, TAPERED LEAF (GASOLINE VEHICLE ONLY) .....	1	
6	1012030	SPRING, TAPERED LEAF (ELECTRIC VEHICLES ONLY) .....		1
7	0008745	ASSEMBLY, ECCENTRIC .....	1	1
8	0000706	NUT, HEX, 3/8 - 16 .....	1	1
9	1011892	ASSEMBLY, HUB (INCLUDES ITEMS 10 - 13) .....	2	2
10	1011393	PACKAGE, HUB BEARING .....	2	2
11	1011304	STUD, LUG, 1/2 - 20 .....	4	4
12	1013135	SEAL, DOUBLE LIP .....	1	1
13	1011887	COVER, DUST .....	1	1
14	0008754	NUT, NYLON LOCK, 3/8 - 16 .....	4	4
15	1016387	SCREW, HEX HEAD CAP, 3/8 - 16 x 2 3/4 .....	2	2
16	1016384	CLEVIS, UPPER DELTA .....	2	2
17	0001308	NUT, HEX, 1/2 - 20 .....	2	2
18	0000209	WASHER, SPLIT LOCK, 1/2 .....	2	2
19	1010150	BEARING, THRUST .....	2	2
20	1016389	WASHER, KINGPIN WAVE .....	2	2
21	1010984	NUT, LUG .....	8	8
22	1010005	WASHER, FLAT, 3/4 .....	2	2
23	0007840	NUT, HEX SLOTTED, 3/4 - 16 .....	2	2
24	0007910	PIN, COTTER, 5/32 x 1 .....	2	2
25	0008755	SCREW, HEX HEAD CAP, 3/8 - 16 x 3 3/8 .....	2	2
26	1016386	KINGPIN .....	2	2
27	1015583	BUSHING, URETHANE .....	4	4
28	1012303	BUSHING, STEEL .....	2	2
29	1014276	PLATE, FRONT SPRING RETAINER .....	1	1
30	0001624	SCREW, HEX HEAD CAP, 3/8 - 16 x 1 1/2 .....	4	4
31	0000357	WASHER, LOCK, 3/8 .....	4	4
32	0000706	NUT, HEX, 3/8 - 16 .....	4	4

**G**  
**F**

**4**

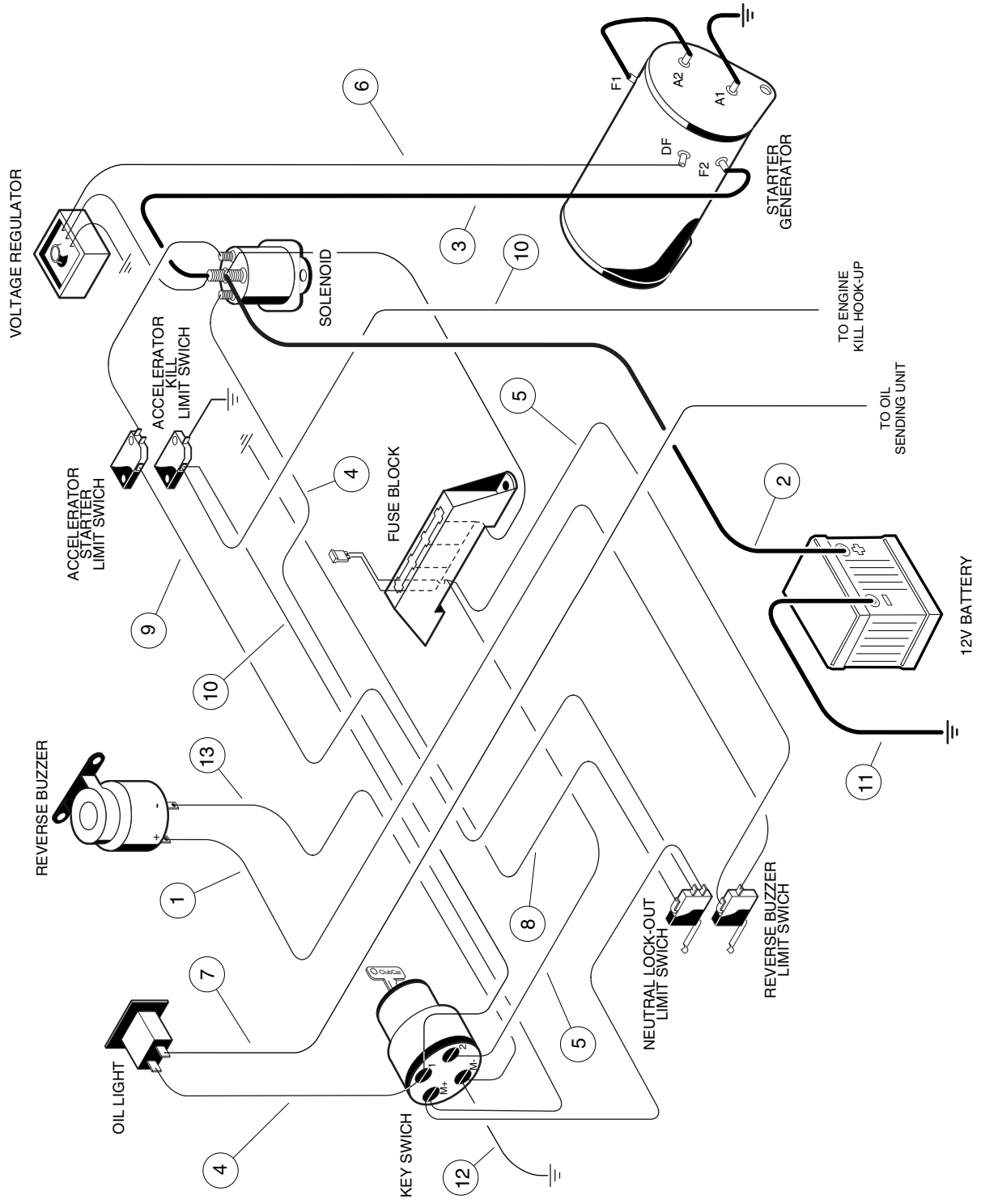


# ***ELECTRICAL SYSTEM GASOLINE VEHICLES***

---

**G**

**5**

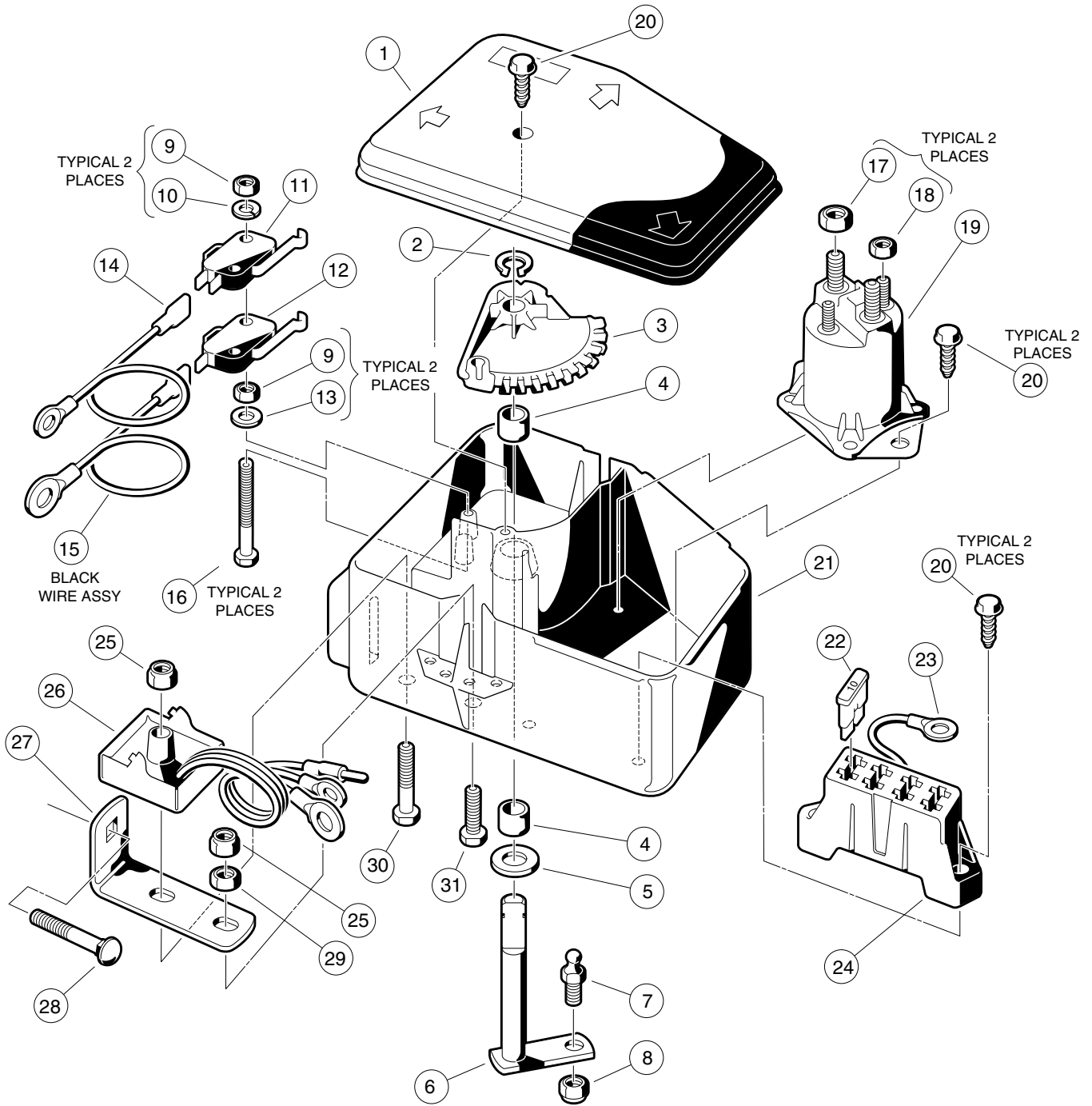


# WIRING

ITEM	PART NO.	DESCRIPTION	QTY
		1 2 3 4	
	1015735	WIRE HARNESS ASSEMBLY (INCLUDES ITEMS 1 - 10) .....	1
1	1013723	WIRE ASSEMBLY, #18 RED/WHITE .....	1
2	1014119	WIRE ASSEMBLY, #6 RED .....	1
3	1015769	WIRE ASSEMBLY, #6 WHITE .....	1
4	1013601	WIRE ASSEMBLY, #18 YELLOW/#16 BLUE .....	1
5	1018282-01	WIRE ASSEMBLY, #16 RED AND #16 ORANGE .....	1
6	1015738	WIRE ASSEMBLY, #16 YELLOW .....	1
7	1015740	WIRE ASSEMBLY, #18 YELLOW .....	1
8	1015780	WIRE ASSEMBLY, #18 BLACK .....	1
9	1015779	WIRE ASSEMBLY, #18 GREEN .....	1
10	1015781	WIRE ASSEMBLY, #18 WHITE/BLACK.....	1
11	1012382	WIRE ASSEMBLY, #6 BLACK .....	1
12	1012396	WIRE ASSEMBLY, #18 BLACK .....	1
13	1016857	WIRE ASSEMBLY, #18 BLACK .....	1

**G**

**5**



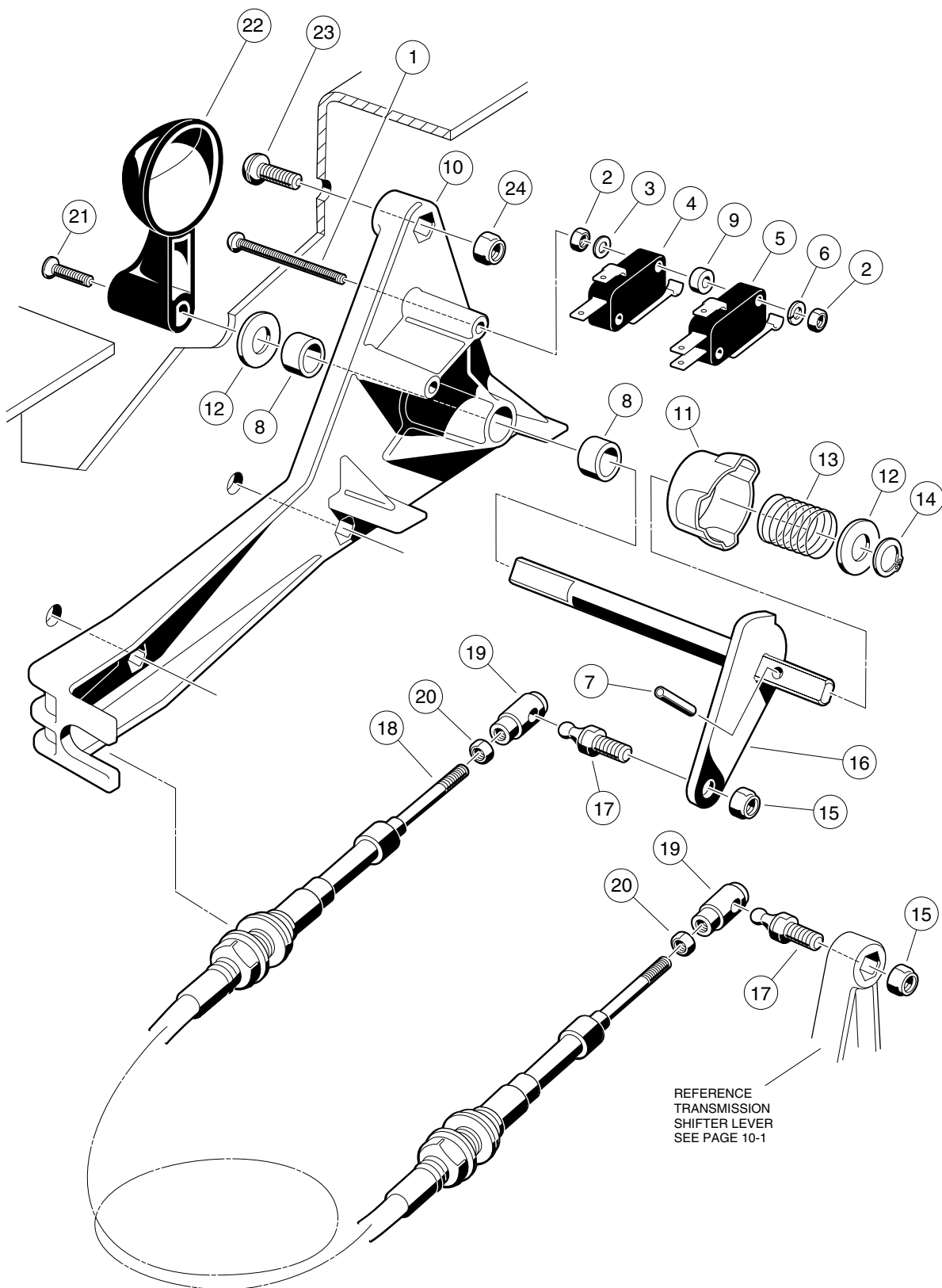


# ELECTRICAL COMPONENT BOX

ITEM	PART NO.	DESCRIPTION	QTY
		1 2 3 4	
	1018276-01	BOX, ELECTRICAL COMPONENT, COMPLETE (INCLUDES ITEMS 1 - 31 AND 1015735 - SEE PAGE 5-2) .....	1
1	1015372	COVER, ELECTRICAL COMPONENT BOX .....	1
2	1013589	RING, RETAINING .....	1
3	1015373	CAM, ELECTRICAL BOX .....	1
4	1014145	BUSHING, BRONZE .....	2
5	1014065	WASHER, FLAT .....	1
6	1015345	ASSEMBLY, BELL CRANK SHAFT .....	1
7	1010954	STUD, BALL, 1/4 - 28 .....	1
8	0008717	NUT, NYLON LOCK , 1/4 - 28 .....	1
9	0008057	NUT, UNC HEX, #4 - 40 .....	4
10	0008058	WASHER, LOCK, #4 .....	2
11	1014807	SWITCH, LIMIT .....	1
12	1014808	SWITCH, LIMIT .....	1
13	1012431	WASHER, FLAT, #4 .....	2
14	1016401	WIRE ASSEMBLY, #16 ORANGE .....	1
15	1016402	WIRE ASSEMBLY, #16 BLACK .....	1
16	1015878	SCREW, HEX HEAD MACHINE, #4 - 40 x 1 5/8 .....	2
17	0001242	NUT, HEX, 5/16 - 18 .....	2
18	0007893	NUT, HEX, #10 - 32 .....	2
19	1013609	SOLENOID, 12 VOLT .....	1
20	1015752	SCREW, HILO, #12 - 16 x 5/8 .....	4
21	1015371	BOX, ELECTRICAL COMPONENT .....	1
22	1012295	FUSE, 10 AMP .....	1
23	1015737	WIRE ASSEMBLY, #10 RED .....	1
24	1015741	BLOCK, FUSE .....	1
25	0008233	NUT, NYLON LOCK, 1/4 - 20 .....	2
26	1015777	ASSEMBLY, VOLTAGE REGULATOR .....	1
27	1015343	STRAP, GROUND .....	1
28	1015405	SCREW, ROUND HEAD SQUARE NECK, 5/16 - 18 x 2 .....	1
29	1015919	NUT, HEX JAM, 1/4 - 20 .....	1
30	0001703	SCREW, HEX HEAD CAP, 1/4 - 20 x 1 1/2 .....	1
31	0000304	SCREW, HEX HEAD CAP, 1/4 - 20 x 1 .....	1

G

5

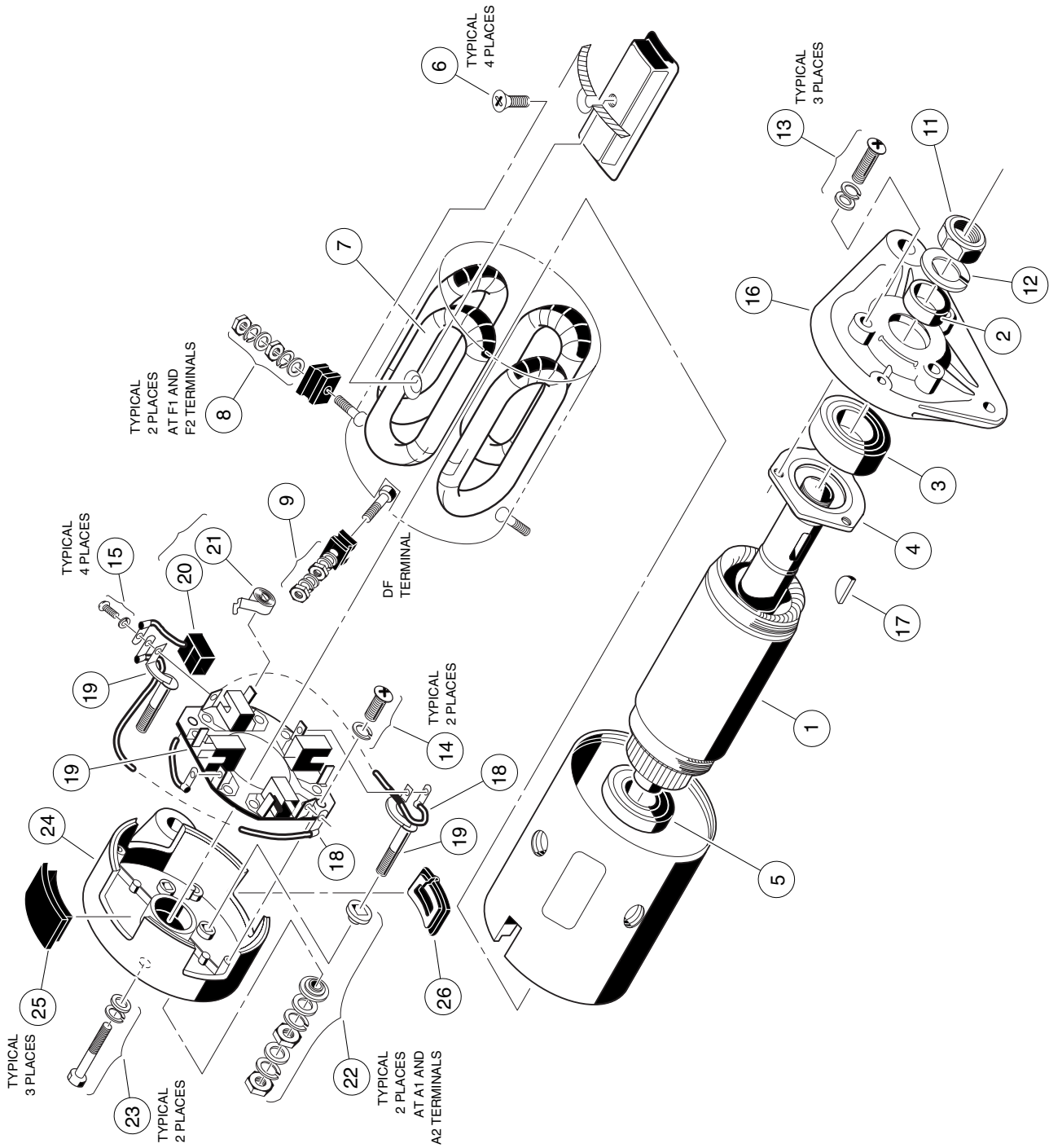


# FORWARD AND REVERSE SHIFTER ASSEMBLY

ITEM	PART NO.	DESCRIPTION	QTY
		1 2 3 4	
	1016947	ASSEMBLY, F & R SHIFTER (INCLUDES ITEMS 1 - 17) .....	1
1	1012594	SCREW, MACHINE, #4 - 40 x 11/2 .....	2
2	0008057	NUT, HEX HEAD, #4 - 40 .....	4
3	1012431	WASHER, FLAT, #4 .....	2
4	1014808	SWITCH, LIMIT .....	1
5	1014807	SWITCH, LIMIT .....	1
6	0008058	WASHER, LOCK, #4 .....	2
7	1013591	PIN, ROLL, 1/8 .....	1
8	1014145	BUSHING, BRONZE .....	2
9	1014727	WASHER, NYLON FLAT, #4 .....	2
10	1016342	BASE, F & R SHIFTER .....	1
11	1014089	KIT, NEUTRAL LOCK-OUT CAM (INCLUDES ITEM 12) .....	1
12	1014065	WASHER, FLAT .....	1
13	1013590	SPRING, F & R CAM .....	1
14	1013589	RING, RETAINING .....	1
15	0008717	NUT, NYLON LOCK, 1/4 - 28 .....	2
16	1013587	WELDMENT, F & R BELL CRANK .....	1
17	1010954	STUD, BALL, 1/4 - 28 x 1/4 .....	2
18	1013085	CABLE, TRANSMISSION (INCLUDES ITEMS 19 & 20) .....	1
19	1012333	JOINT, BALL .....	2
20	0007893	NUT, HEX, #10 - 32 .....	2
21	1013198	SCREW, PHILLIPS OVAL COUNTERSUNK MACHINE, #8 - 32 x 5/8 .....	1
22	1012987	HANDLE, F & R SWITCH .....	1
23	0008248	SCREW, PHILLIPS TRUSS HEAD, 1/4 - 20 x 3/4 .....	4
24	0008233	NUT, NYLON LOCK, 1/4 - 20 .....	4

G

5

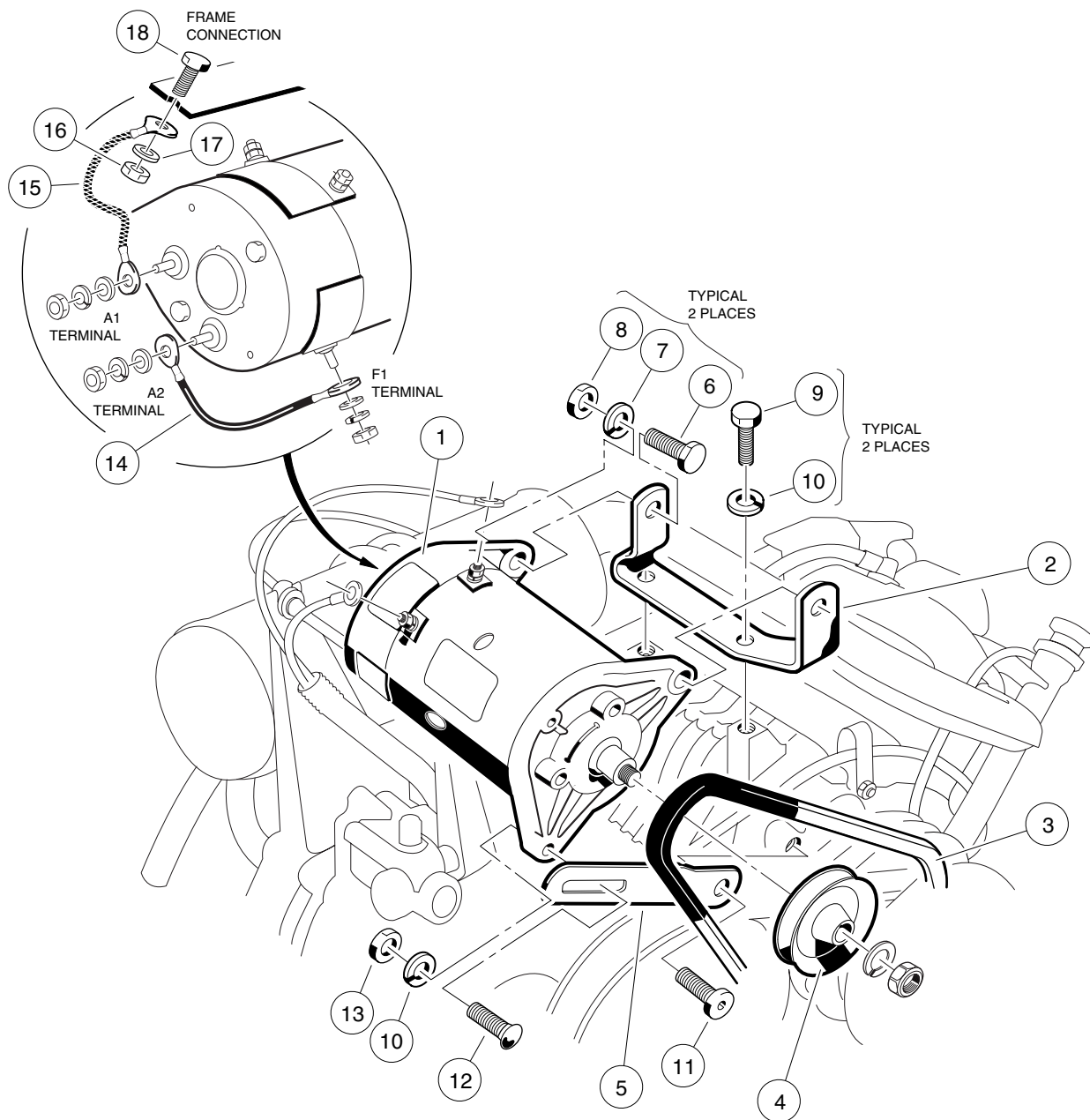


# STARTER / GENERATOR ASSEMBLY

ITEM	PART NO.	DESCRIPTION	QTY
		1 2 3 4	
	1012316	STARTER - GENERATOR (INCLUDES ITEMS 1 - 26) .....	1
1	1013004	ASSEMBLY, ARMATURE (INCLUDES ITEMS 2, 3, 4, 5 AND ARMATURE) .....	1
2	1013000	SPACER.....	1
3	1013001	SHAFT, BALL BEARING OUTPUT .....	1
4	1013002	RETAINER, BEARING .....	1
5	1013005	COMMUTATOR, BALL BEARING .....	1
6	1013009	SCREW, POLE PIECE .....	4
7	1013010	ASSEMBLY, FIELD COIL .....	1
8	1013007	PACKAGE, TERMINAL HARDWARE (F1 AND F2) .....	2
9	1013017	PACKAGE, TERMINAL HARDWARE (DF) .....	1
10	1013018	KIT , PULLEY NUT AND SCREW (INCLUDES ITEMS 11 - 15) .....	1
11	N/A	HEX NUT, M14 x 2.....	1
12	N/A	WASHER, LOCK, M14 .....	1
13	N/A	SCREW, CROSS - RECESSED, M5 x .8 x 18MM (WITH LOCK WASHER AND FLAT WASHER) .....	3
14	N/A	SCREW, CROSS - RECESSED, M5 x .8 x 16MM (WITH LOCK WASHER) .....	2
15	N/A	SCREW, CROSS - RECESSED, M4 x .7 x 10MM (WITH LOCK WASHER) .....	4
16	1012999	BELL, OUTPUT SHAFT END .....	1
17	1013003	KEY.....	1
18	1013013	LEAD, CROSSOVER .....	2
19	1013011	HOLDER, BRUSH .....	1
20	1014699	PACKAGE, BRUSH (INCLUDES 4 BRUSHES).....	1
21	1013016	SPRING, BRUSH .....	4
22	1012990	PACKAGE, TERMINAL HARDWARE (A1 AND A2) .....	2
23	1012992	BOLT, CLAMP, M6 x 1 x 180MM .....	2
24	1012993	BELL, COMMUTATOR END .....	1
25	1012991	COVER, BRUSH INSPECTION PORT .....	3
26	1017653	COVER, BRUSH INSPECTION PORT, WITH DRAIN .....	1

G

5

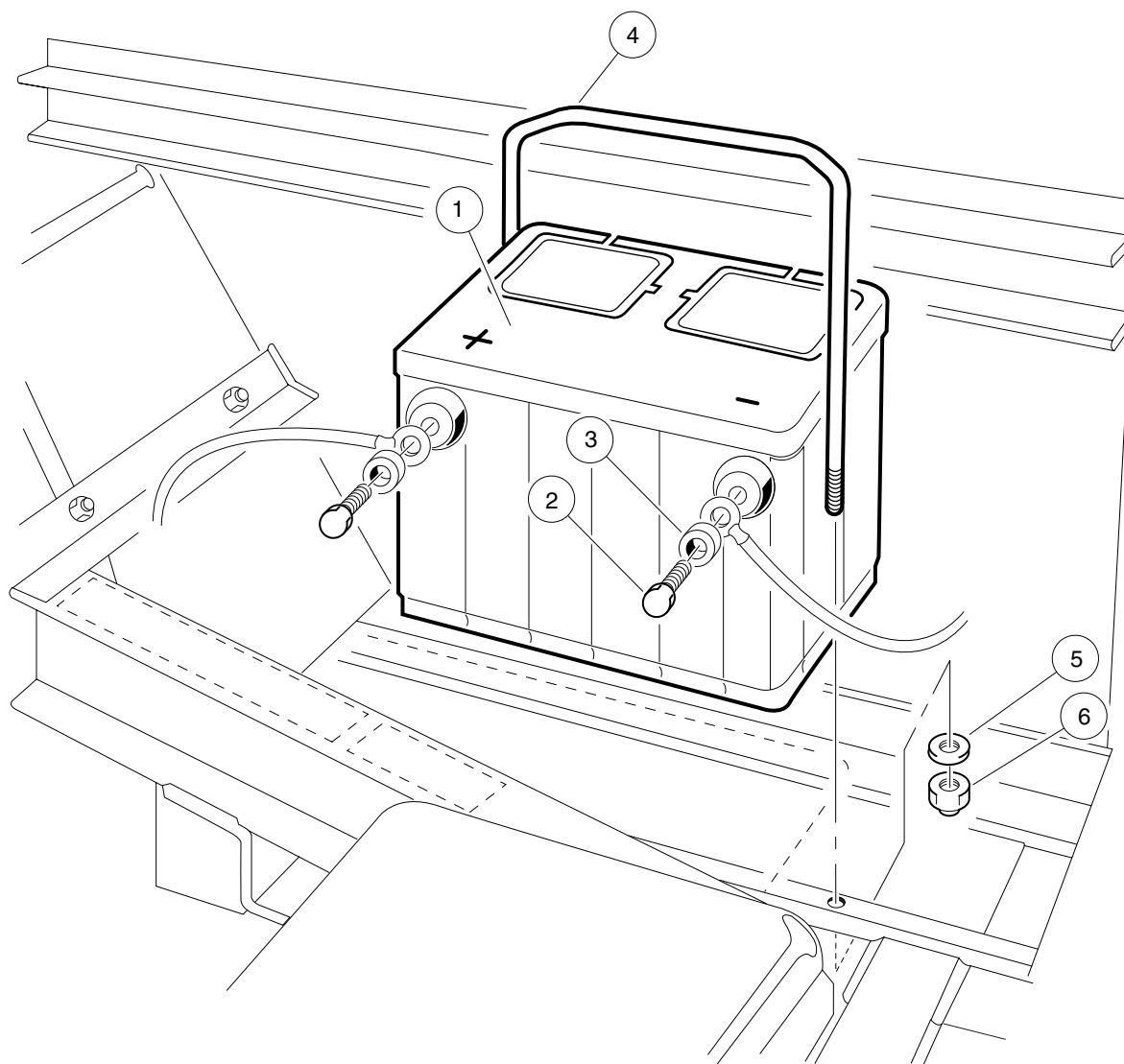


# STARTER / GENERATOR MOUNTING

ITEM	PART NO.	DESCRIPTION	QTY
		1 2 3 4	
1	1012316	STARTER / GENERATOR .....	1
2	1015240-01	BRACKET, MOUNTING .....	1
3	1015241	BELT .....	1
4	1014289	PULLEY .....	1
5	1016883	BRACKET, ADJUSTING .....	1
6	0000705	SCREW, HEX HEAD CAP, 3/8 - 16 x 1 1/4 .....	2
7	0000357	WASHER, LOCK, 3/8 .....	2
8	0000706	NUT, HEX, 3/8 - 16 .....	2
9	1015331	SCREW, HEX HEAD CAP, M8 x 1.25 x 25MM .....	2
10	0007174	WASHER, LOCK, 5/16 .....	3
11	1016074	SCREW, TORX HEAD, M8 x 1.25 x 18MM .....	1
12	1015932	BOLT, ROUND HEAD SQUARE NECK, 5/16 - 18 x 1 .....	1
13	0001242	NUT, HEX, 5/16 - 18 .....	1
14	1012384	WIRE ASSEMBLY, #6 BLACK .....	1
15	1015920	WIRE, GROUND .....	1
16	0007473	NUT, NYLON LOCK, 5/16 - 18 .....	1
17	0001241	WASHER, FLAT, 5/16 .....	1
18	0007173	SCREW, HEX HEAD CAP, 5/16 - 18 x 3/4 .....	1

**G**

**5**





# BATTERY MOUNTING

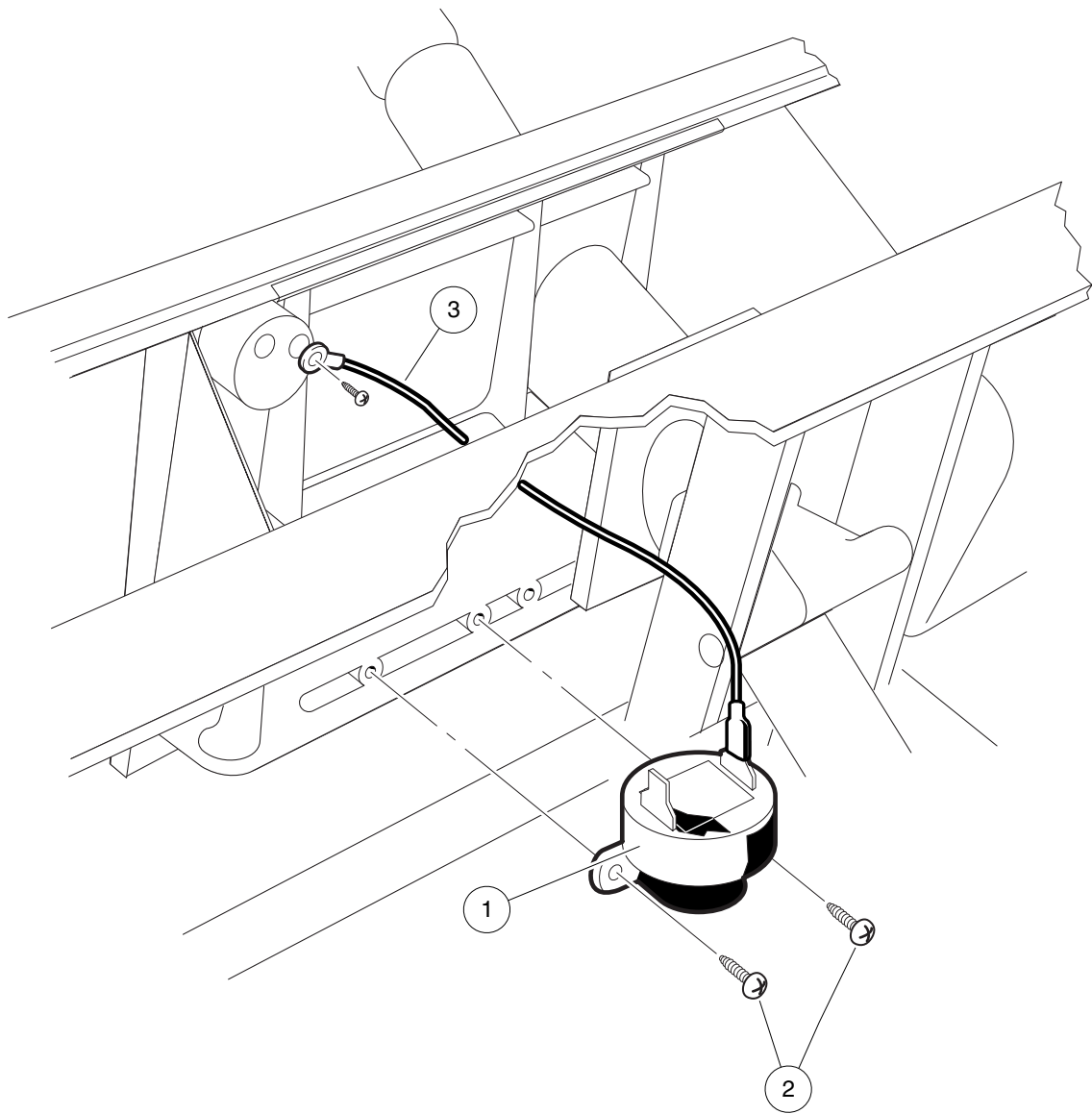
ITEM	PART NO.	DESCRIPTION	QTY
		1 2 3 4	
1	1012328	BATTERY, 12 VOLT .....	1
2	1014375	SCREW, HEX HEAD CAP, STAINLESS STEEL, 3/8 - 16 x 1/2 .....	2
3	1014374	SPACER, BATTERY TERMINAL BOLT .....	2
4	1013882	HOLD-DOWN, BATTERY .....	1
5	1011964	WASHER, FLAT, STAINLESS STEEL, 1/4 .....	2
6	1015068	NUT, NYLON LOCK, STAINLESS STEEL, 1/4 - 20 .....	2

**G**

**5**

**G**

**5**



# REVERSE BUZZER

ITEM	PART NO.	DESCRIPTION	QTY
		1 2 3 4	
	1016859	KIT, REVERSE BUZZER (INCLUDES ITEMS 1, 2, AND 3) .....	1
1	1016851	BUZZER, REVERSE (9-48 VOLT) .....	1
2	1016849	SCREW, PAN HEAD HILO, #4 - 24 x 5/16 .....	2
3	1016857	WIRE ASSEMBLY, #18 BLACK .....	1

**G**

**5**

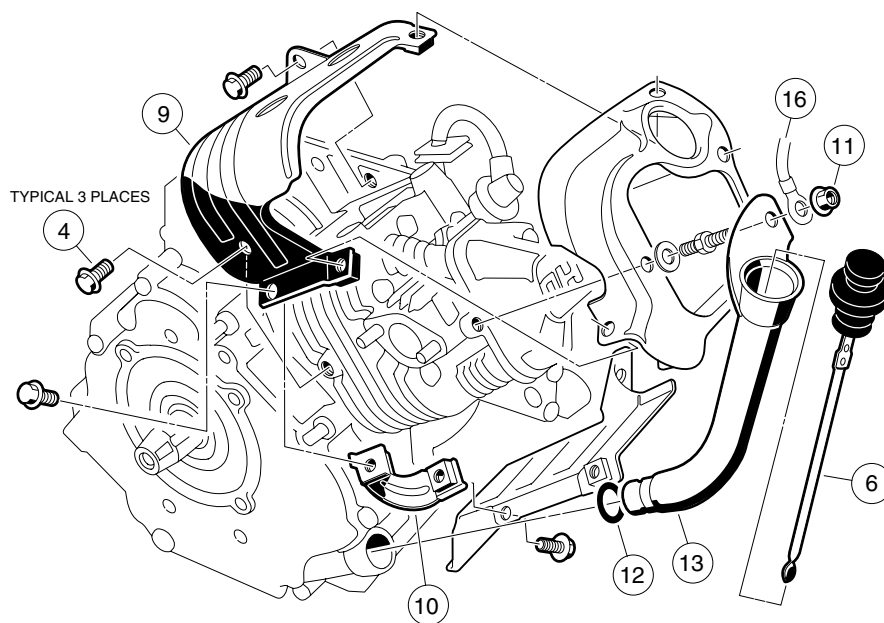
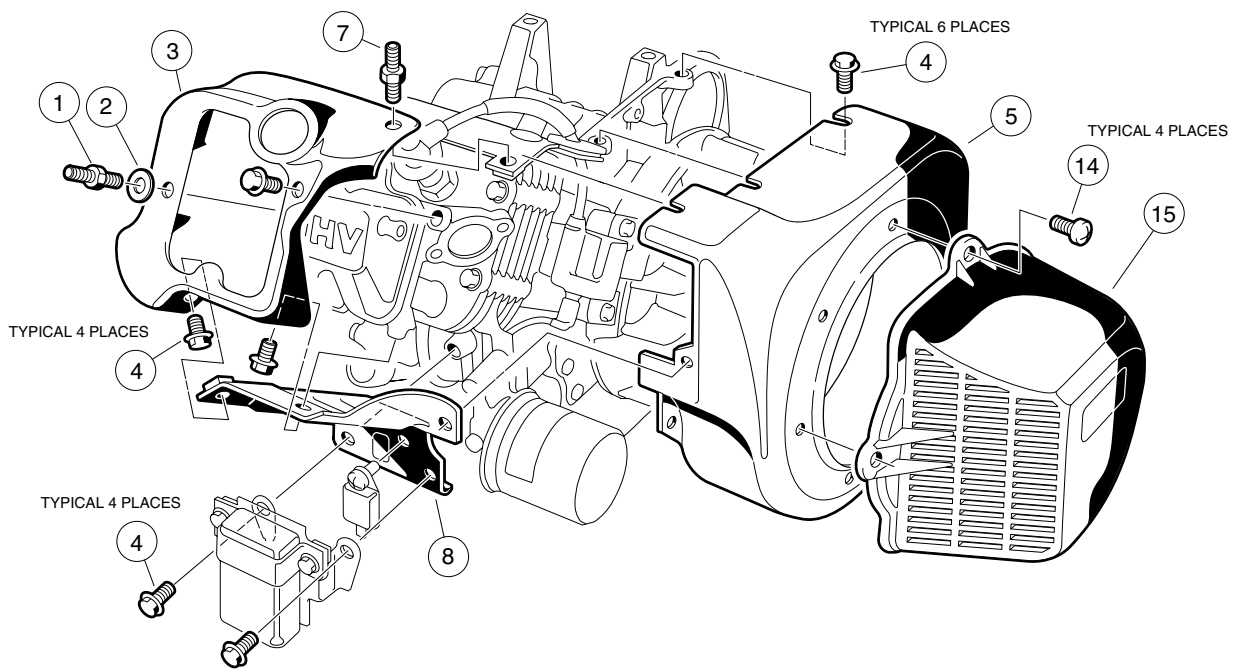


# ***ENGINE***

---

**G**

**6**

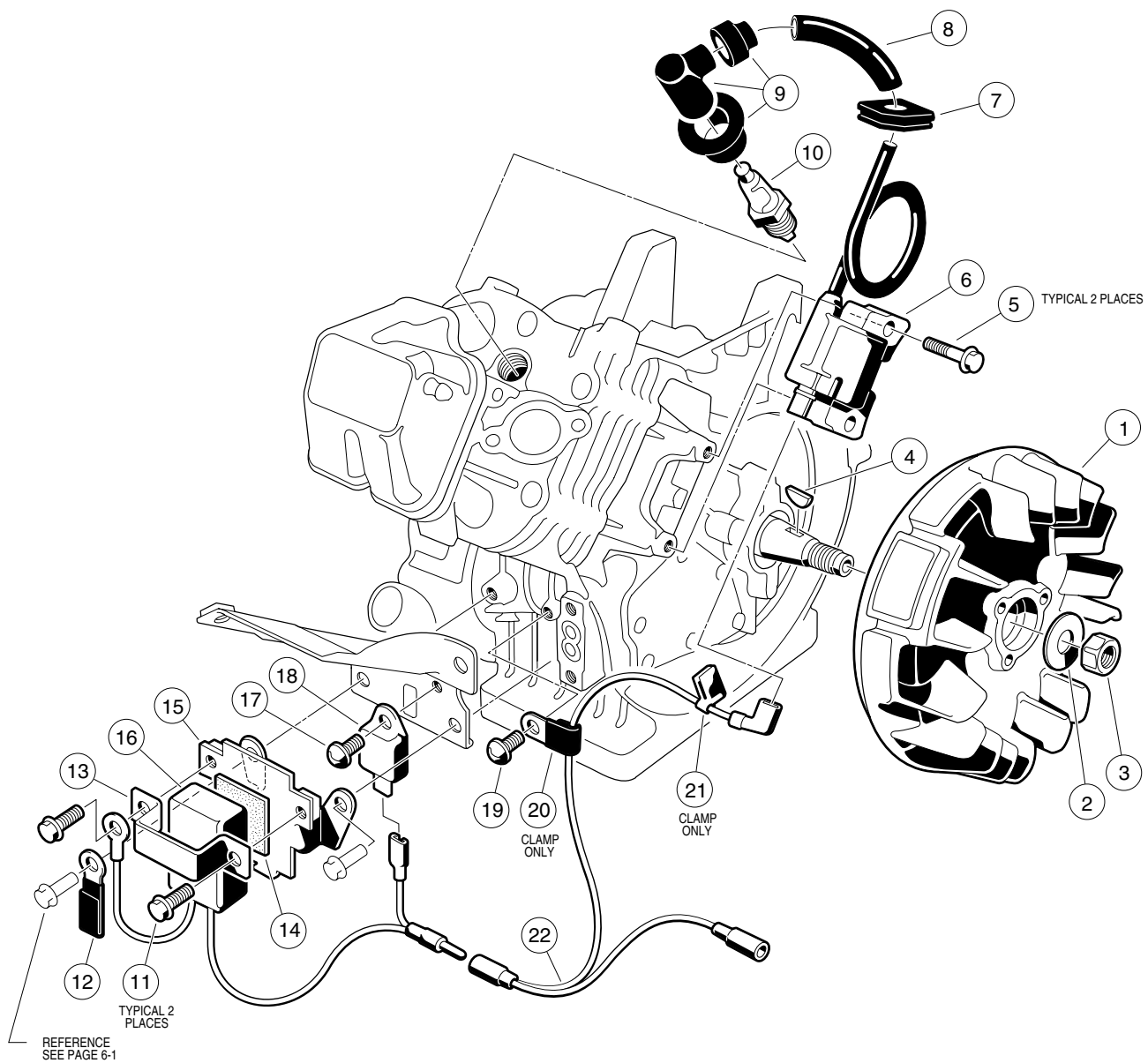


# ENGINE

ITEM	PART NO.	DESCRIPTION	QTY
		1 2 3 4	
	1015731	FE 290 OHV GASOLINE ENGINE - COMPLETE .....	1
1	1016507	BOLT, 2-ENDED, M6 x 1 x 29MM .....	1
2	1016512	WASHER, FLAT, 6MM.....	1
3	1016524	SHROUD, ENGINE FE 290.....	1
4	1016456	BOLT, FLANGED, M6 x 1 x 12MM .....	17
5	1016534	HOUSING, FAN .....	1
6	1016531	DIPSTICK, FE 290.....	1
7	1017221	SCREW, 2-ENDED, M6 x 1 x 46MM.....	1
8	1016526	SHROUD, ENGINE, FE 290.....	1
9	1016525	SHROUD, ENGINE, FE 290.....	1
10	1016443	BRACKET .....	1
11	1016547	NUT, M6 x 1.....	1
12	1016539	O-RING .....	1
13	1016536	TUBE, OIL FILLER, FE 290.....	1
14	1015969	SCREW, PAN HEAD, M6 x 1 x 14MM .....	4
15	1015649	SHROUD, FAN.....	1
16	1015332	WIRE ASSEMBLY, GROUND .....	1

G

6



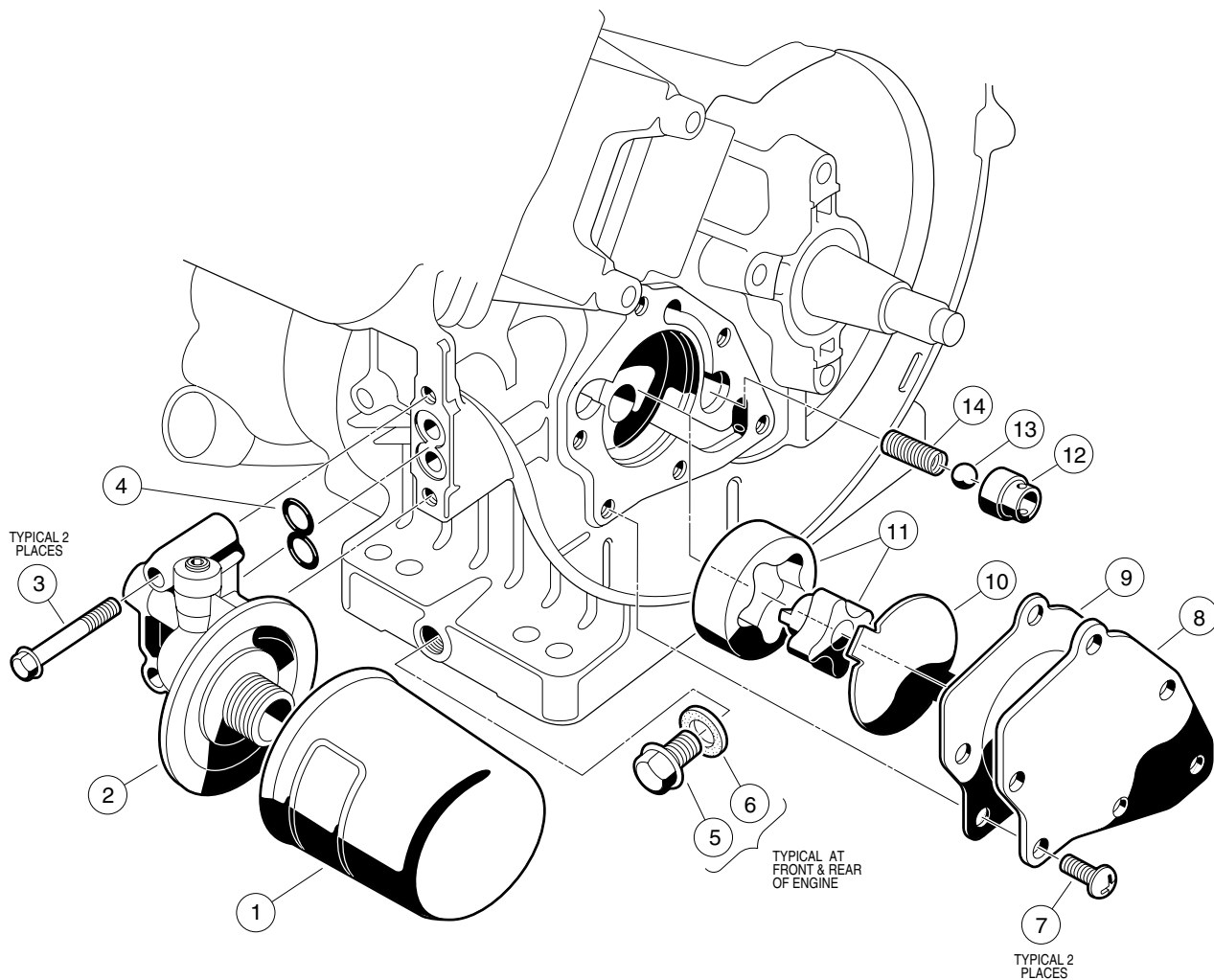


# ENGINE

ITEM	PART NO.	DESCRIPTION	QTY
		1 2 3 4	
1	1016495	FLYWHEEL, COMPLETE .....	1
2	1016548	WASHER, FLAT, 16MM .....	1
3	1016505	NUT, HEX M16 x 2.....	1
4	1016562	KEY.....	1
5	1016455	BOLT, FLANGED, M5 x .8 x 25MM .....	2
6	1016492	COIL, IGNITION .....	1
7	1016578	GROMMET.....	1
8	1016588	TUBE, 7MM x 70MM .....	1
9	1016493	ASSEMBLY, PLUG CAP .....	1
10	1016111	SPARK PLUG - OHV .....	1
11	1016456	BOLT, FLANGED, M6 x 1 x 12MM .....	2
12	1012981	CLAMP.....	1
13	1016579	MOUNT, RPM LIMITER .....	1
14	1016586	DAMPER, RPM LIMITER .....	1
15	1016445	BRACKET, RPM LIMITER .....	1
16	1016511	LIMITER, RPM - OHV .....	1
17	1016497	SCREW, CROSS PAN HEAD, M5 x .8 x 8MM .....	1
18	1016491	IGNITER - OHV .....	1
19	1016544	SCREW, CROSS PAN HEAD SELF TAP, M5 x .8 x 12MM.....	1
20	1016561	CLAMP.....	1
21	1016587	CLAMP.....	1
22	1016503	WIRE, LEAD .....	1

G

6

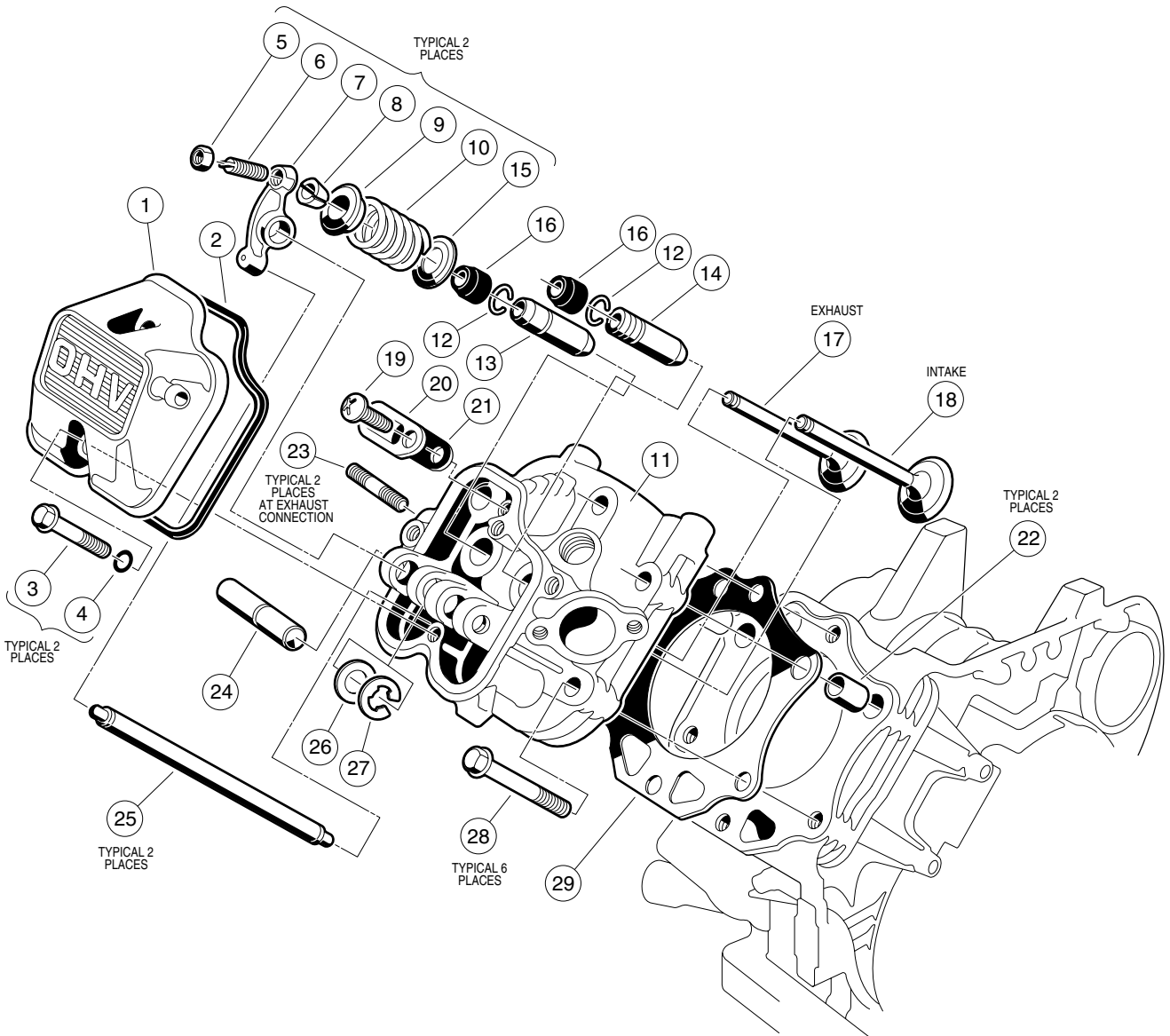


# ENGINE

ITEM	PART NO.	DESCRIPTION	QTY
		1 2 3 4	
1	1016467	ASSEMBLY, OIL FILTER, OHV.....	1
2	1016502	BRACKET, OIL FILTER .....	1
3	1016457	BOLT, FLANGED HEX HEAD, M6 x 1 x 40MM .....	2
4	1016570	O-RING, OIL FILTER MOUNT.....	1
5	1016576	PLUG, DRAIN, FE 290.....	2
6	1016432	GASKET, DRAIN PLUG.....	2
7	1016498	SCREW, CROSS PAN HEAD, M6 x 1 x 12MM .....	6
8	1016484	COVER, PUMP .....	1
9	1016435	GASKET, OIL PUMP .....	1
10	1016473	PLATE, OIL PUMP .....	1
11	1016482-03	PUMP, OIL, AND ROTOR .....	1
12	1016429	SEAT, VALVE .....	1
13	1016537	BALL, STEEL, PRESS RELIEF .....	1
14	1016581	SPRING .....	1

**G**

**6**

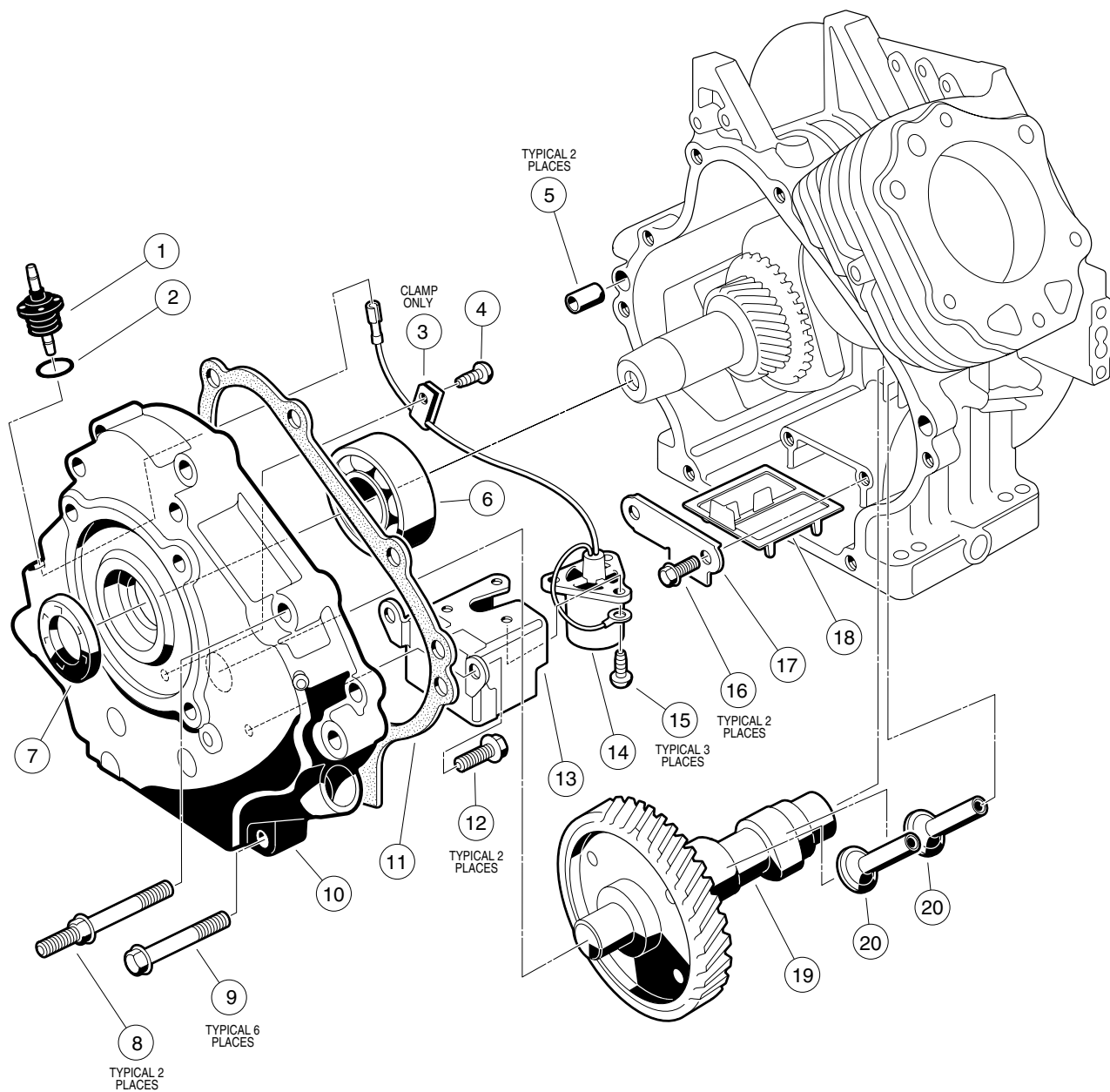


# ENGINE

ITEM	PART NO.	DESCRIPTION	QTY
		1 2 3 4	
1	1016442	CASE, ROCKER .....	1
2	1016436	GASKET, ROCKER CASE .....	1
3	1016583	BOLT, FLANGED, M6 x 1 x 35MM .....	2
4	1016569	O-RING .....	2
5	1016545	NUT, HEX, M5 x .8 .....	2
6	1016542	SCREW, STUD, M5 x .8.....	2
7	1016451	ARM , ROCKER .....	2
8	1016450	COLLET .....	2
9	1016449	RETAINER, VALVE SPRING .....	2
10	1016523	SPRING, ENGINE VALVE .....	2
11	1016431	ASSEMBLY, CYLINDER HEAD, OHV (INCLUDES ITEMS 12, 13 AND 14) .....	1
12	1016560	RING, SNAP .....	2
13	1016518	GUIDE, VALVE (EXHAUST).....	1
14	1016519	GUIDE, VALVE (INTAKE) .....	1
15	1016479	SEAT, SPRING .....	2
16	1016566	SEAL, VALVE .....	2
17	1016448	VALVE, EXHAUST .....	1
18	1016447	VALVE, INTAKE .....	1
19	1016544	SCREW, CROSS PAN HEAD SELF TAPPING, M5 x .8 x 12MM .....	1
20	1016474	PLATE.....	1
21	1016483	VALVE.....	1
22	1016563	PIN.....	2
23	1016489	BOLT, STUD, M8 x 1.25 x 29MM.....	2
24	1016452	SHAFT, ROCKER .....	1
25	1016471	ROD, PUSH .....	2
26	1016549	WASHER, FLAT, M12 .....	1
27	1016517	CIRCLIP, TYPE-E .....	1
28	1016458	BOLT, FLANGED, M8 x 1.25 x 45MM .....	6
29	1016430	GASKET, HEAD .....	1

G

6

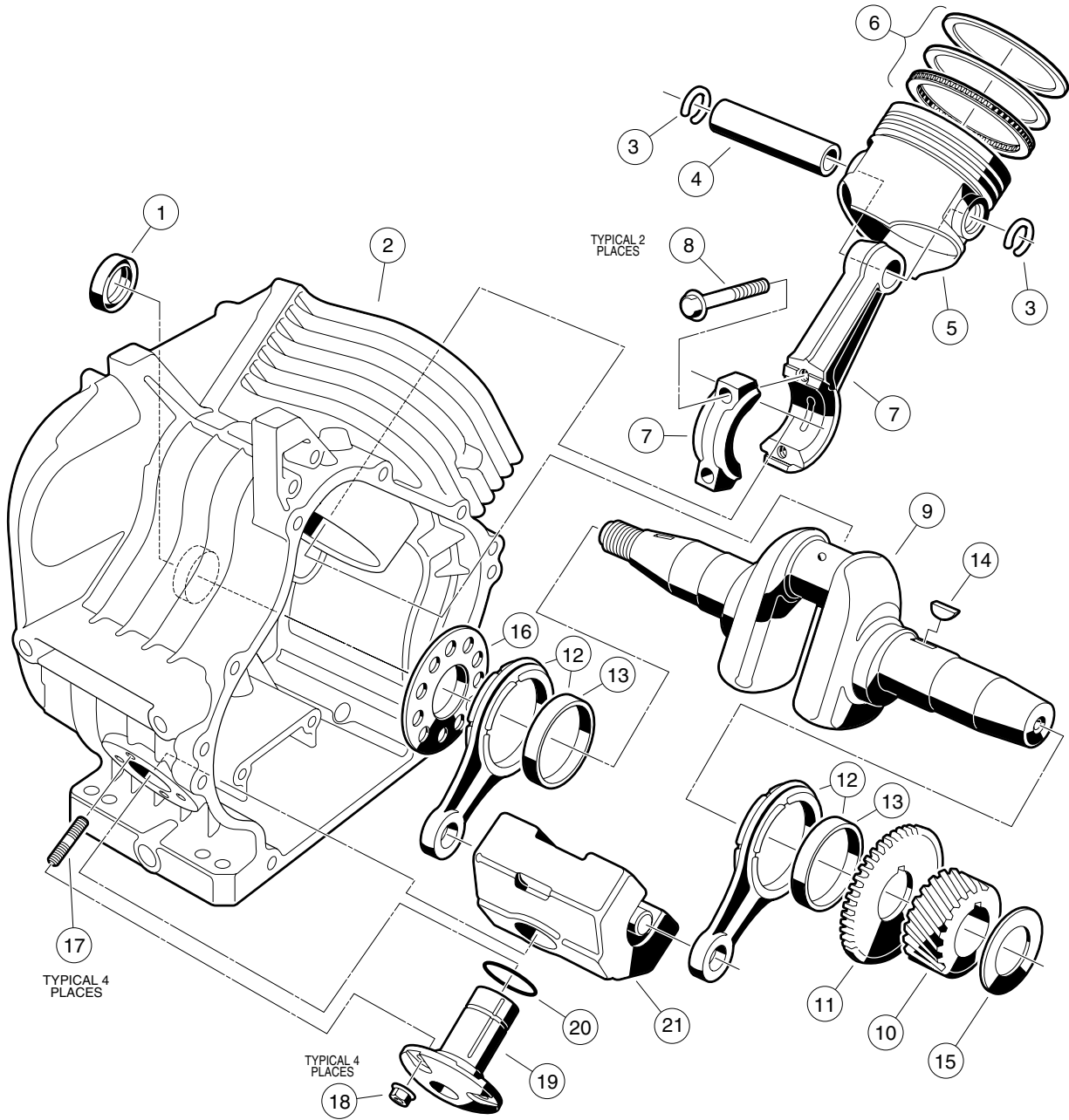


# ENGINE

ITEM	PART NO.	DESCRIPTION	QTY
		1 2 3 4	
1	1016535	CONNECTOR, CORD .....	1
2	1016538	O-RING .....	1
3	1016506	CLAMP .....	1
4	1016544	SCREW, CROSS PAN HEAD SELF TAPPING, M5 x .8 x 12MM .....	1
5	1016564	PIN .....	2
6	1016565	BEARING, BALL .....	1
7	1016567	SEAL, CRANKSHAFT .....	1
8	1016584	BOLT, 2- ENDED, M8 x 1.25 x 69MM .....	2
9	1016458	BOLT, FLANGED, M8 x 1.25 x 45MM .....	6
10	1016520	COVER, CRANKCASE .....	1
11	1016446	GASKET, CRANKCASE COVER .....	1
12	1016456	BOLT, FLANGED, M6 x 1 x 12MM .....	2
13	1016510	BRACKET, OIL LEVEL SWITCH .....	1
14	1016494	SENSOR, OIL LEVEL .....	1
15	1016496	SCREW, CROSS PAN HEAD, M4 x .7 x 8MM .....	3
16	1016454	BOLT, FLANGED, M5 x .8 x 8MM .....	2
17	1016472	PLATE, OIL FILTER SCREEN .....	1
18	1016521	SCREEN, OIL FILTER .....	1
19	1016528	CAMSHAFT, COMPLETE .....	1
20	1016453	TAPPET .....	2

G

6





# ENGINE

ITEM	PART NO.	DESCRIPTION	QTY
		1 2 3 4	
1	1016568	SEAL, OIL .....	1
2	1016529	CRANKCASE, COMPLETE, OHV.....	1
3	1016558	RING, SNAP .....	2
4	1016460	PIN, PISTON .....	1
5	1016459-01	PISTON, STANDARD .....	1
5	1016459-02	PISTON, .25MM OVERSIZED .....	1
5	1016459-03	PISTON, .50MM OVERSIZED .....	1
6	1016461-01	RING SET, PISTON, STANDARD .....	1
6	1016461-02	RING SET, PISTON, .25MM OVERSIZED .....	1
6	1016461-03	RING SET, PISTON, .50MM OVERSIZED .....	1
7	1016475-01	ASSEMBLY, CONNECTING ROD, STANDARD (INCLUDES 2 EACH OF ITEM 8) .....	1
7	1016475-02	ASSEMBLY, CONNECTING ROD, .50MM UNDERSIZED (INCLUDES 2 EACH OF ITEM 8) .....	1
8	1016509	BOLT, HEX HEAD M7 x 1 x 36MM .....	2
9	1016468	CRANKSHAFT, OHV (INCLUDES ITEMS 10, 11 AND 12) .....	1
10	1016533	GEAR, HELICAL .....	1
11	1016532	GEAR, SPUR.....	1
12	1016516	ASSEMBLY, CONNECTING ROD (INCLUDES ITEM 13).....	2
13	1016580	BEARING, PLAIN.....	2
14	1016562	KEY .....	1
15	1016550-01	SHIM, CRANKSHAFT, 1.13MM THICK.....	1
15	1016550-02	SHIM, CRANKSHAFT, 1.18MM THICK.....	1
15	1016550-03	SHIM, CRANKSHAFT, 1.23MM THICK.....	1
15	1016550-04	SHIM, CRANKSHAFT, 1.28MM THICK.....	1
15	1016550-05	SHIM, CRANKSHAFT, 1.33MM THICK.....	1
15	1016550-06	SHIM, CRANKSHAFT, 1.38MM THICK.....	1
15	1016550-07	SHIM, CRANKSHAFT, 1.43MM THICK.....	1
15	1016550-08	SHIM, CRANKSHAFT, 1.48MM THICK.....	1
15	1016550-09	SHIM, CRANKSHAFT, 1.53MM THICK.....	1
16	1016559	SPACER.....	1
17	1016541	BOLT, STUD, M6 x 1 x 22MM .....	4
18	1016547	NUT, FLANGED, M6 x 1.....	4
19	1016470	SHAFT, GUIDE COUNTER BALANCE .....	1
20	1016571	O-RING .....	1
21	1016469	WEIGHT, COUNTER BALANCE .....	1

G

6

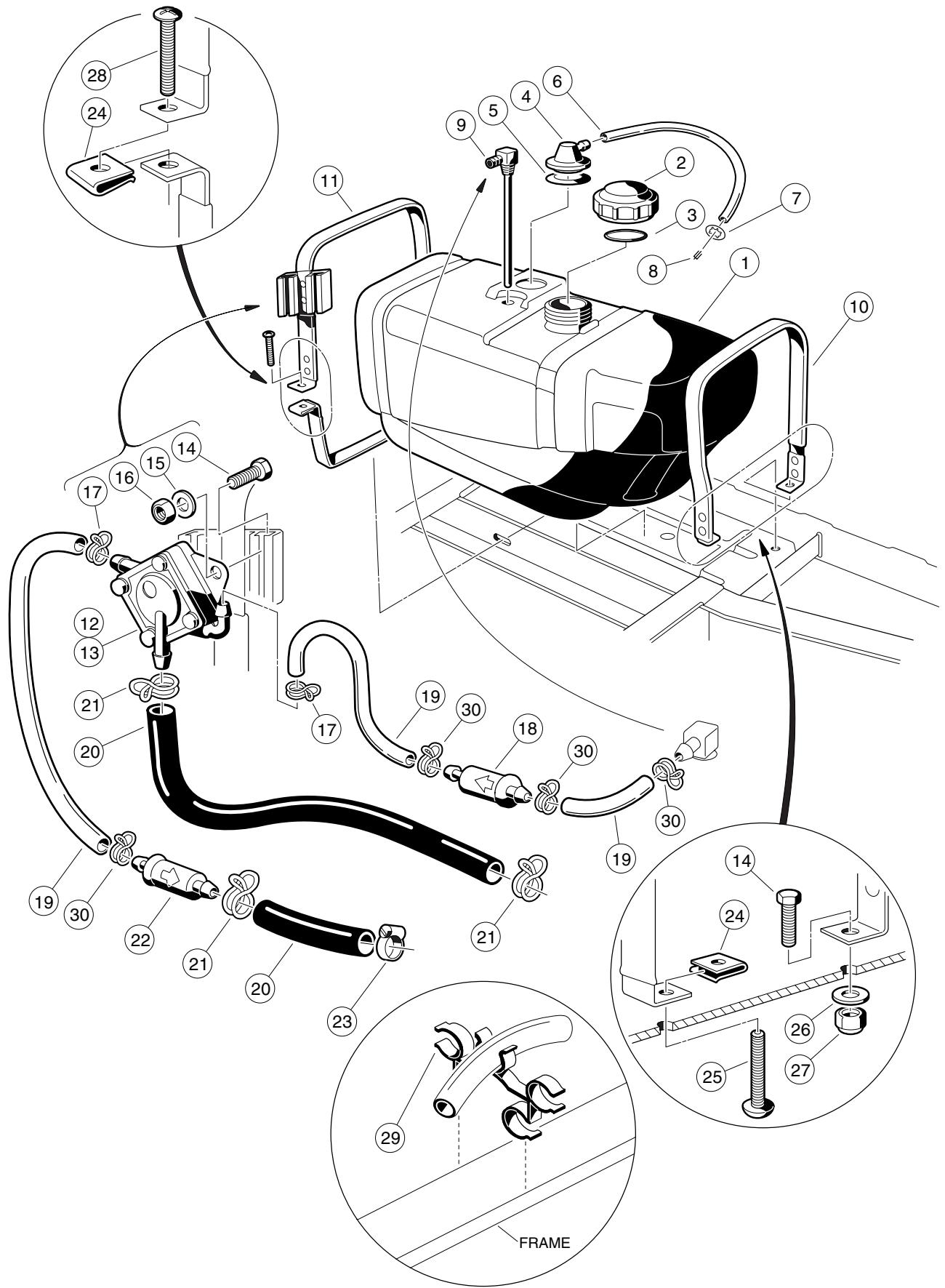


# ***FUEL, INTAKE, AND GOVERNOR SYSTEMS***

---

**G**

**7**

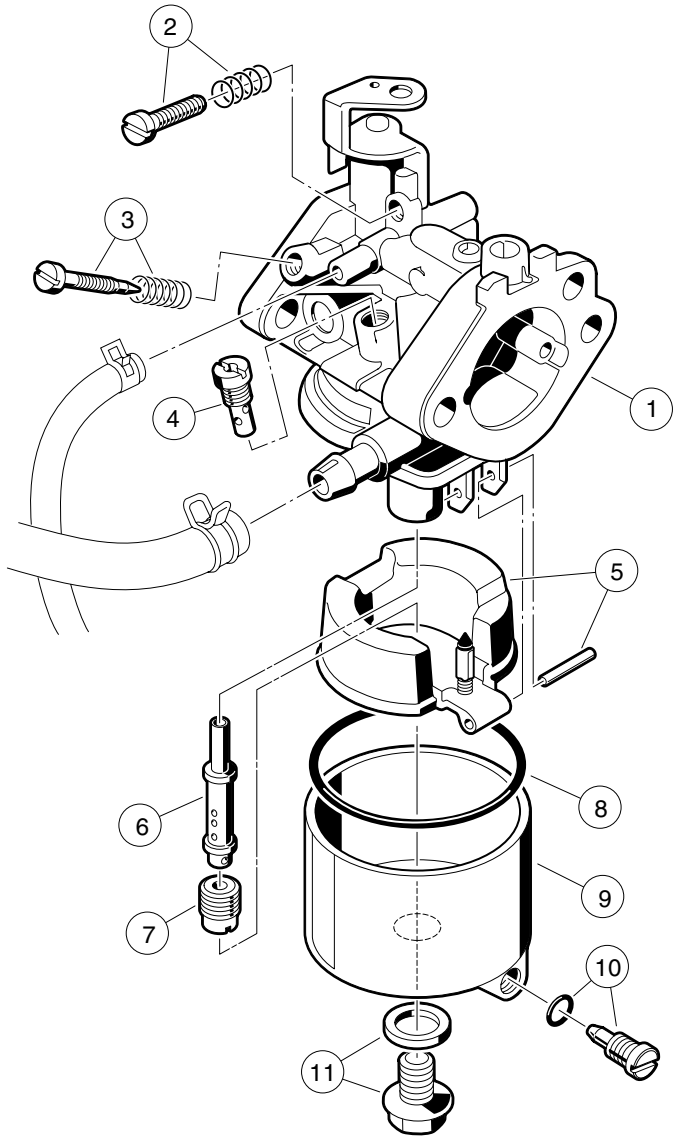


# FUEL SYSTEM

ITEM	PART NO.	DESCRIPTION	QTY
		1 2 3 4	
1	1016003	KIT, FUEL TANK (INCLUDES ITEMS 2 - 8).....	1
2	1015188	CAP, FUEL TANK, NONVENTED (INCLUDES GASKET).....	1
3	1014535	GASKET, FUEL CAP .....	1
4	1015143	ASSEMBLY, FUEL TANK VENT .....	1
5	1015139	GROMMET, INSULATION .....	1
6	1015137	LINE, BULK FUEL (VENT) .....	A/R
7	1016059	CLIP, STUD.....	1
8	1018244-01	BARB, VENT .....	1
9	1012619	ASSEMBLY, FUEL TUBE AND FITTING .....	1
10	1014928	ASSEMBLY, REAR FUEL STRAP .....	1
11	1014927	ASSEMBLY, FRONT FUEL STRAP .....	1
12	1014523	PUMP, FUEL IMPULSE, SQUARE BODY .....	1
13	1014524	PUMP, FUEL IMPULSE, SQUARE BODY REBUILD KIT .....	1
14	0007847	SCREW, HEX HEAD CAP, 1/4 - 20 x 3/4.....	3
15	0000451	WASHER, LOCK, 1/4.....	2
16	0001028	NUT, HEX, 1/4 - 20 .....	2
17	1013134-01	CLAMP, HOSE (RED).....	2
18	1013684	FILTER , PRIMARY FUEL (WHITE) .....	1
19	1012293	LINE, BULK FUEL (#2) .....	A/R
20	1013692	LINE, BULK FUEL (#4) .....	A/R
21	1012649	CLAMP, HOSE .....	3
22	1014522	FILTER, SECONDARY FUEL (BLUE) .....	1
23	1013687	CLAMP, HOSE, 3/8.....	1
24	1014116	NUT, U-TYPE SPEED, 1/4 - 20 .....	2
25	1013176	SCREW, PHILLIP TRUSS HEAD, 1/4 - 20 x 2 1/2.....	1
26	0000332	WASHER, FLAT, 1/4.....	1
27	0008233	NUT, NYLON INSERT LOCK, 1/4 - 20.....	1
28	1011988	SCREW, PHILLIP TRUSS HEAD, 1/4 - 20 x 2 .....	1
29	1016666	CLIP, BLACK FUEL .....	2
30	1013134-02	CLAMP, HOSE (GOLD) .....	4
	1015014	KIT, FUEL TANK SERVICE (INCLUDES ITEMS 10, 11, 14, 15, 16, 19, 20, 24, 26, 27 & 28) .....	1

G

7

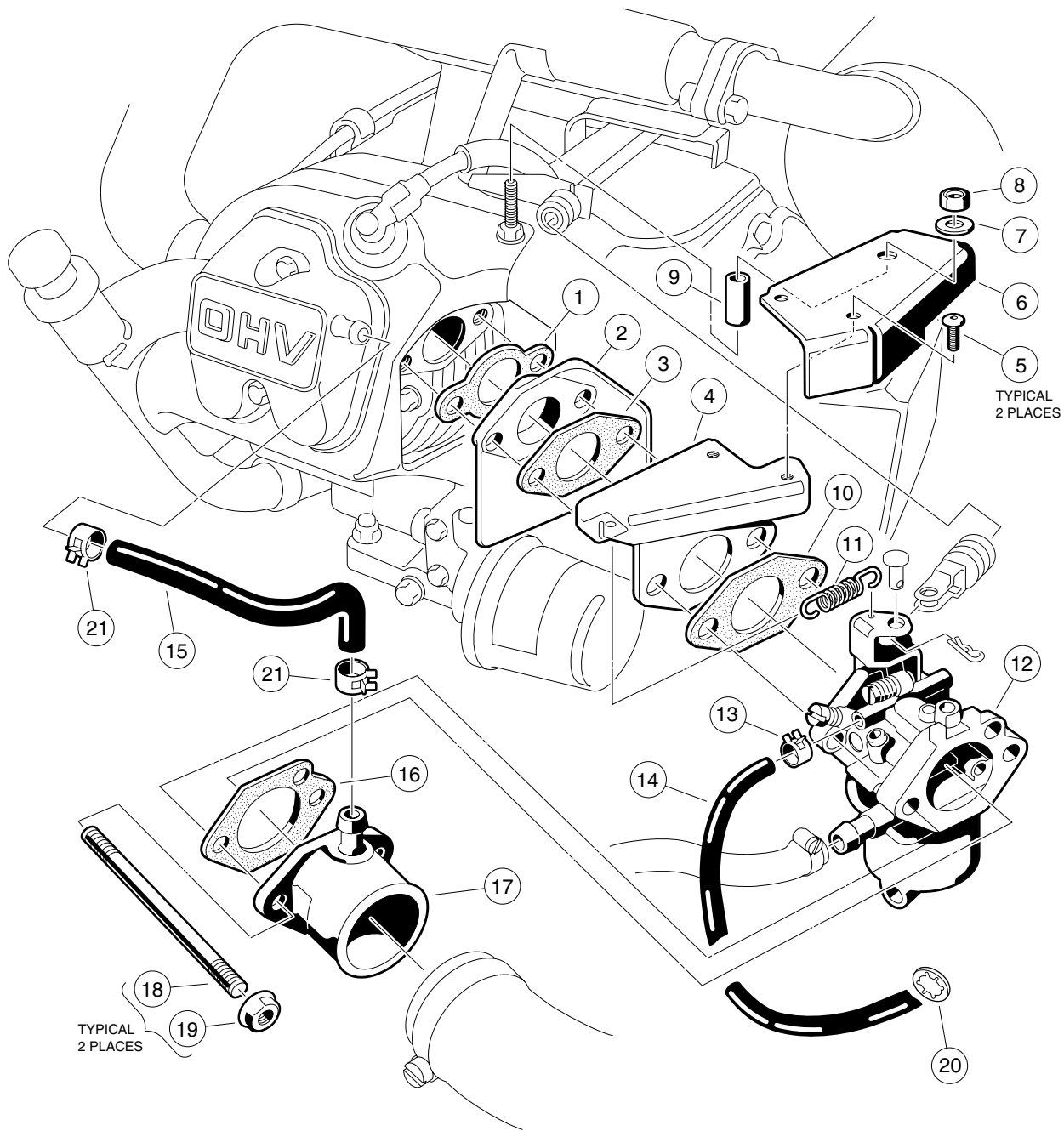


# CARBURETOR ASSEMBLY

ITEM	PART NO.	DESCRIPTION	QTY
		1 2 3 4	
1	1016478	ASSEMBLY, CARBURETOR (INCLUDES ITEMS 2 - 11) .....	1
2	1016501	ASSEMBLY, IDLE SCREW .....	1
3	1016500	ASSEMBLY, PILOT AIR SCREW .....	1
4	1016574	JET, PILOT, #45 .....	1
5	1016486	ASSEMBLY, FLOAT .....	1
6	1016530	NOZZLE, MAIN .....	1
7	1016425-80	JET, MAIN .....	1
8	1016437	GASKET, CARBURETOR BOWL .....	1
9	1016487	ASSEMBLY, FLOAT CHAMBER (INCLUDES ITEM 10) .....	1
10	1016499	ASSEMBLY, SCREW .....	1
11	1016585	ASSEMBLY, BOLT .....	1

**G**

**7**



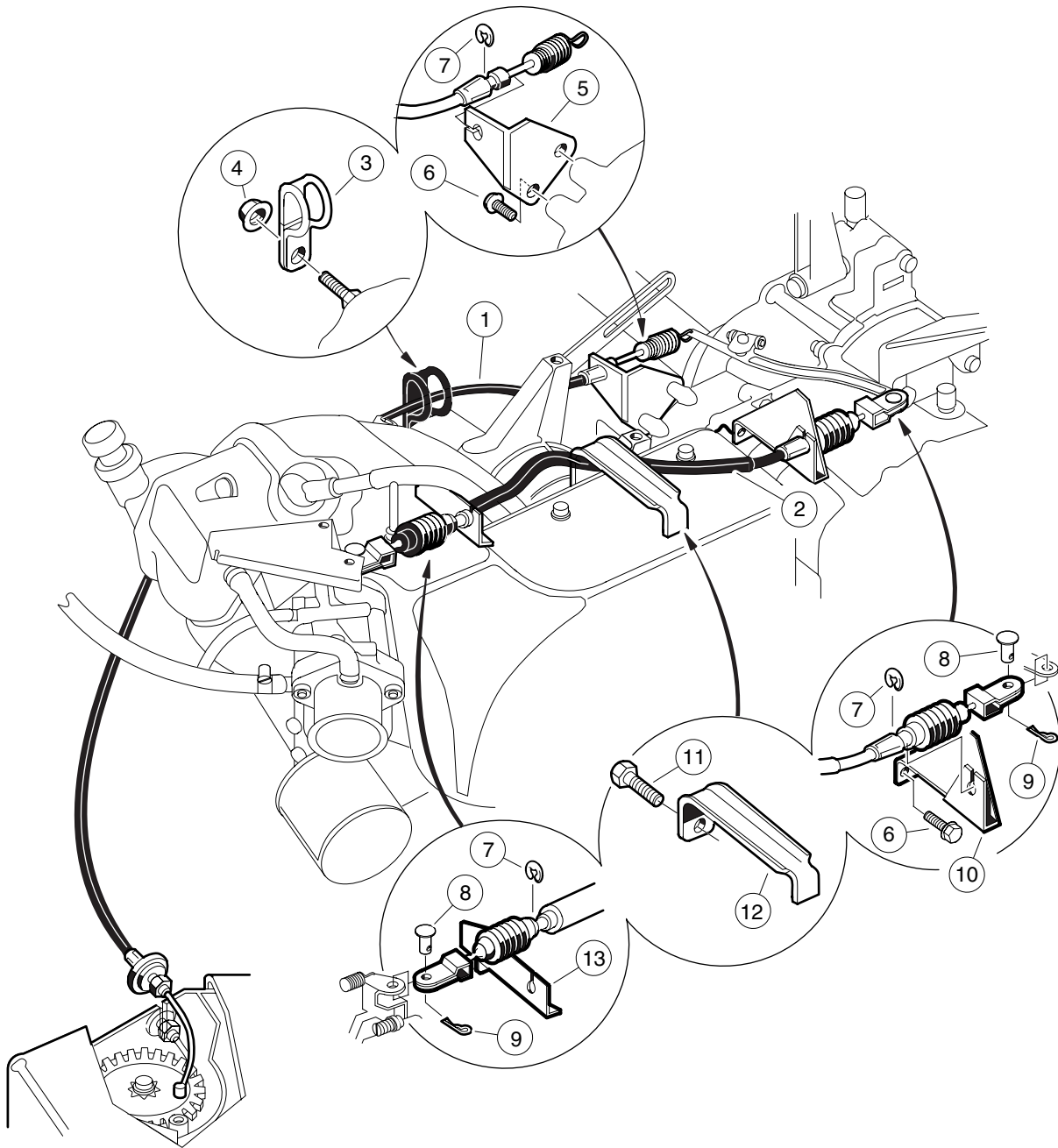


# GOVERNOR GUARD AND INTAKE HOSE

ITEM	PART NO.	DESCRIPTION	QTY
		1 2 3 4	
1	1016440	GASKET, INSULATOR .....	1
2	1016481	INSULATOR, CARBURETOR .....	1
3	1016439	GASKET, CARBURETOR INSULATOR TO THROTTLE BRACKET .....	1
4	1016444	BRACKET, THROTTLE .....	1
5	1016103	SCREW, PAN / TORX HEAD SELF-TAPPING, #6 - 32 x 1/4 .....	2
6	1016102	GUARD, GOVERNOR .....	1
7	0000451	WASHER, LOCK, 1/4 .....	1
8	1011114	NUT, HEX, M6 x 1.....	1
9	1016848	SPACER, GOVERNOR GUARD .....	1
10	1016441	GASKET, THROTTLE BRACKET TO CARBURETOR .....	1
11	1016582	SPRING, THROTTLE RETURN .....	1
12	1016478	ASSEMBLY, CARBURETOR .....	1
13	1013746	CLAMP, HOSE .....	1
14	1015877-01	TUBE, AIR VENT .....	1
15	1016572	TUBE, CRANKCASE VENT .....	1
16	1016438	GASKET, CARBURETOR TO INTAKE MANIFOLD .....	1
17	1016480	PIPE, INTAKE .....	1
18	1016490	BOLT, 2-ENDED STUD, M6 x 1 x 92MM .....	2
19	1016547	NUT, FLANGED, M6 x 1 .....	2
20	1016059	CLIP, STUD .....	1
21	1012849	CLIP, HOSE .....	2

G

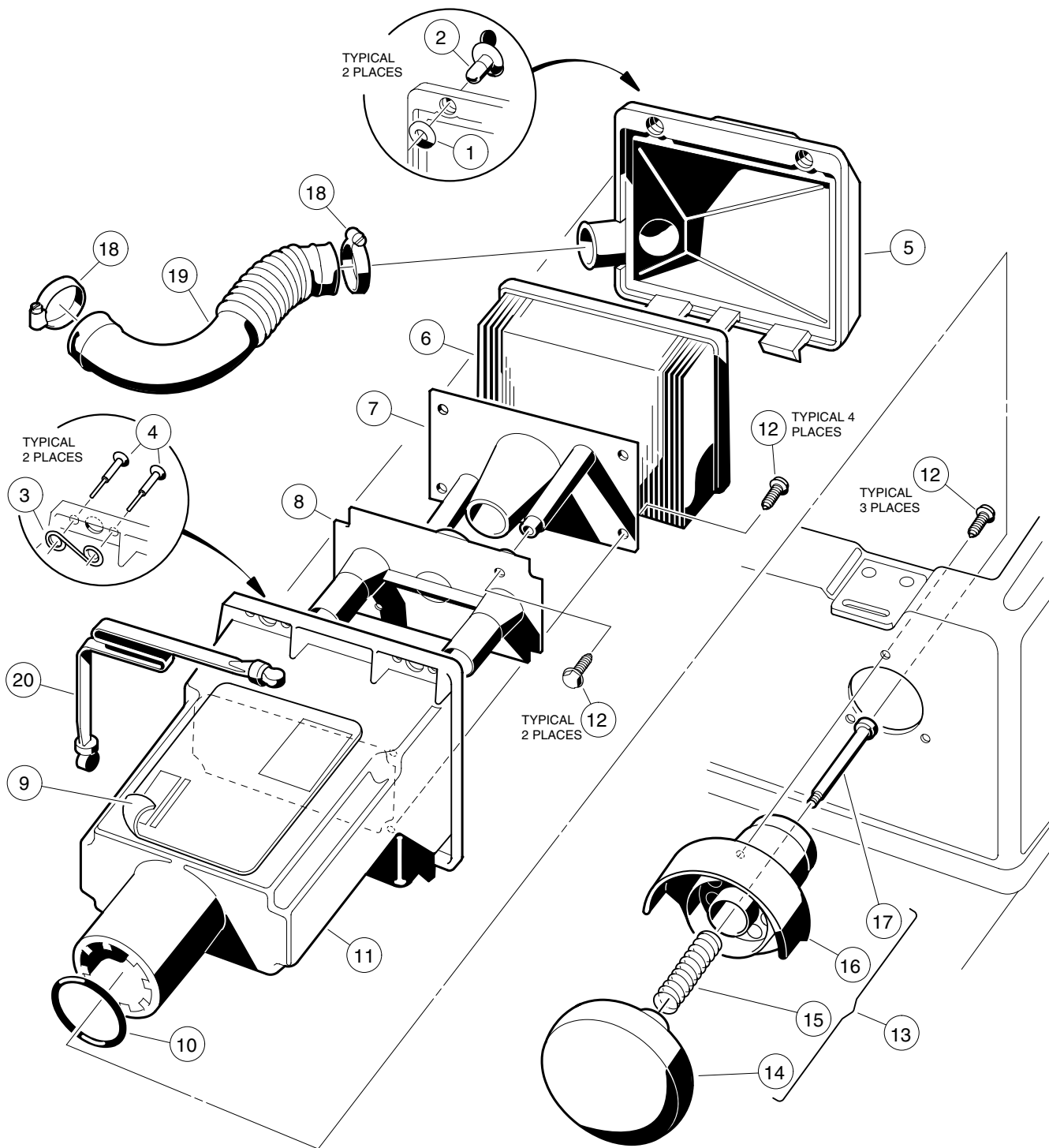
7



# GOVERNOR AND ACCELERATOR CABLES

ITEM	PART NO.	DESCRIPTION	QTY
		1 2 3 4	
1	1015225	CABLE, ACCELERATOR .....	1
2	1015226-01	CABLE, GOVERNOR .....	1
3	1013700	CLAMP, HOSE RETAINING .....	1
4	1016546	NUT, FLANGED HEX, M8 x 1.25.....	1
5	1015410	BRACKET, ACCELERATOR SUPPORT .....	1
6	1012285	SCREW, HEX HEAD MACHINE, 1/4 - 20 x 5/8 .....	4
7	1016202	"E" RING .....	3
8	1015408	PIN, GOVERNOR CABLE CLEVIS .....	2
9	1014413	PIN, HAIR SPRING COTTER, 1/8 x 5/8 .....	2
10	1015411	BRACKET, SUPPORT .....	1
11	1016456	BOLT, FLANGED, M6 x 1 x 12MM.....	1
12	1016057	CLAMP, THROTTLE CABLE .....	1
13	1015845	BRACKET, GOVERNOR CABLE ENGINE .....	1





# EXPANSION CHAMBER, CHOKE, AND FILTER

ITEM	PART NO.	DESCRIPTION	QTY
		1 2 3 4	
	1015431	ASSEMBLY, INTAKE EXPANSION CHAMBER (INCLUDES ITEMS 1-12) .....	1
1	1015291	RETAINER, STUD, #6 .....	2
2	1015290	STUD, WING HEAD, #6 .....	2
3	1015292	SPRING, RECEPTACLE, #6 .....	2
4	1015727	RIVET, POP, 1/8 .....	4
5	1015293	COVER, EXPANSION CHAMBER .....	1
6	1015426	ELEMENT, AIR FILTER .....	1
7	1015542	BAFFLE, SECONDARY AIR BOX .....	1
8	1015541	BAFFLE, PRIMARY AIR BOX .....	1
9	1016062	DECAL, SERVICE .....	1
10	1015425	O-RING .....	1
11	1015540	CHAMBER, EXPANSION .....	1
12	1015289	SCREW, HI-LO HEX, #10 - 16 x 5/8 .....	9
13	1015745	ASSEMBLY, CHOKE (INCLUDES ITEMS 14-17) .....	1
14	1012629	COVER, CHOKE .....	1
15	1012633	SPRING, CHOKE .....	1
16	1015485	BASE, CHOKE .....	1
17	1012634	SCREW, HEX SOCKET HEAD SHOULDER, 1/4 - 20 x 2 .....	1
18	1015430	CLAMP, HOSE (AIR INTAKE) .....	2
19	1016228	HOSE, INTAKE .....	1
20	1015577	STRAP, EXPANSION CHAMBER RETENSION .....	1

G

7

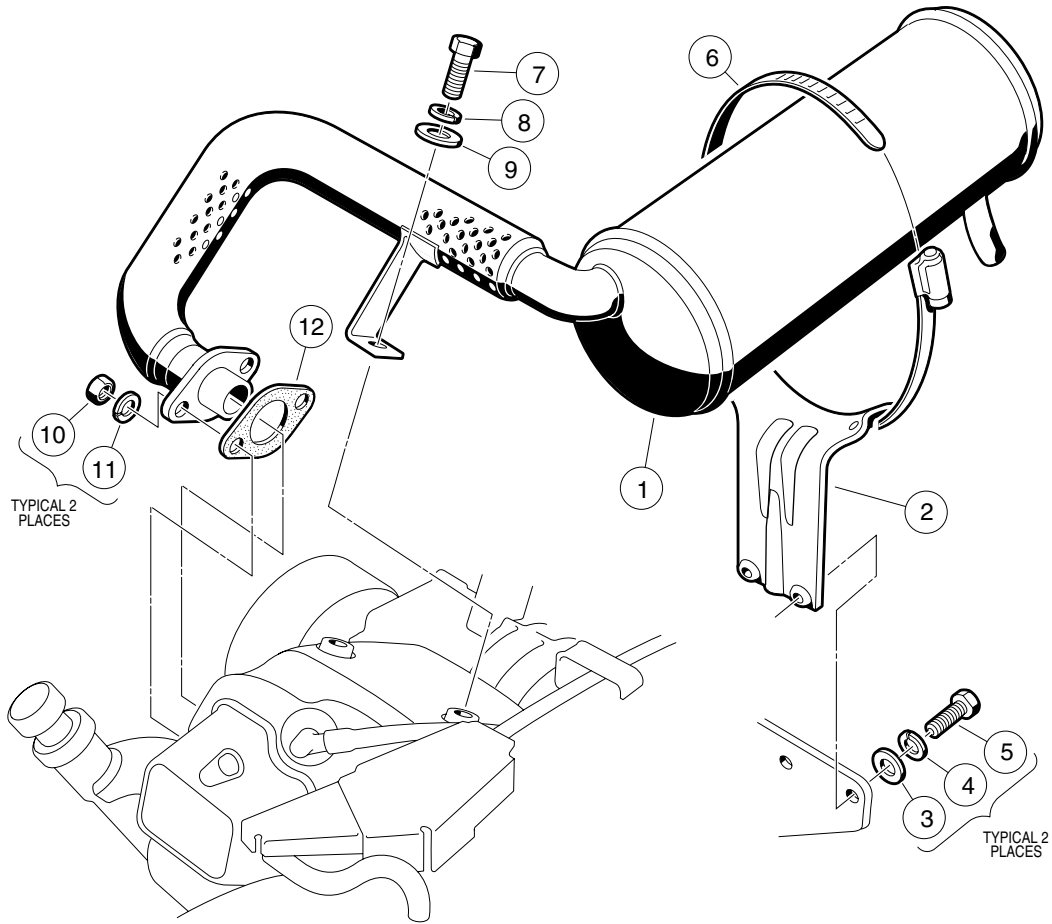


# ***EXHAUST SYSTEM***

---

**G**

**8**





# EXHAUST SYSTEM

ITEM	PART NO.	DESCRIPTION	QTY
		1 2 3 4	
1	1018593-01	MUFFLER .....	1
2	1015814	BRACKET, MUFFLER MOUNTING .....	1
3	0000332	WASHER, FLAT, 1/4 .....	2
4	0000451	WASHER, LOCK, 1/4 .....	2
5	0007847	SCREW, HEX HEAD, 1/4 - 20 x 3/4 .....	2
6	1017689	CLAMP, MUFFLER .....	1
7	1012830	SCREW, HEX HEAD CAP, M8 x 1.25 x 22MM .....	1
8	0007174	WASHER, LOCK, 5/16 .....	1
9	1011697	WASHER, FLAT, 5/16 .....	1
10	1012528	NUT, HEX, M8 x 1.25 .....	2
11	1013734	WASHER, LOCK, 8MM .....	2
12	1015330	GASKET, EXHAUST .....	1

**G**

**8**

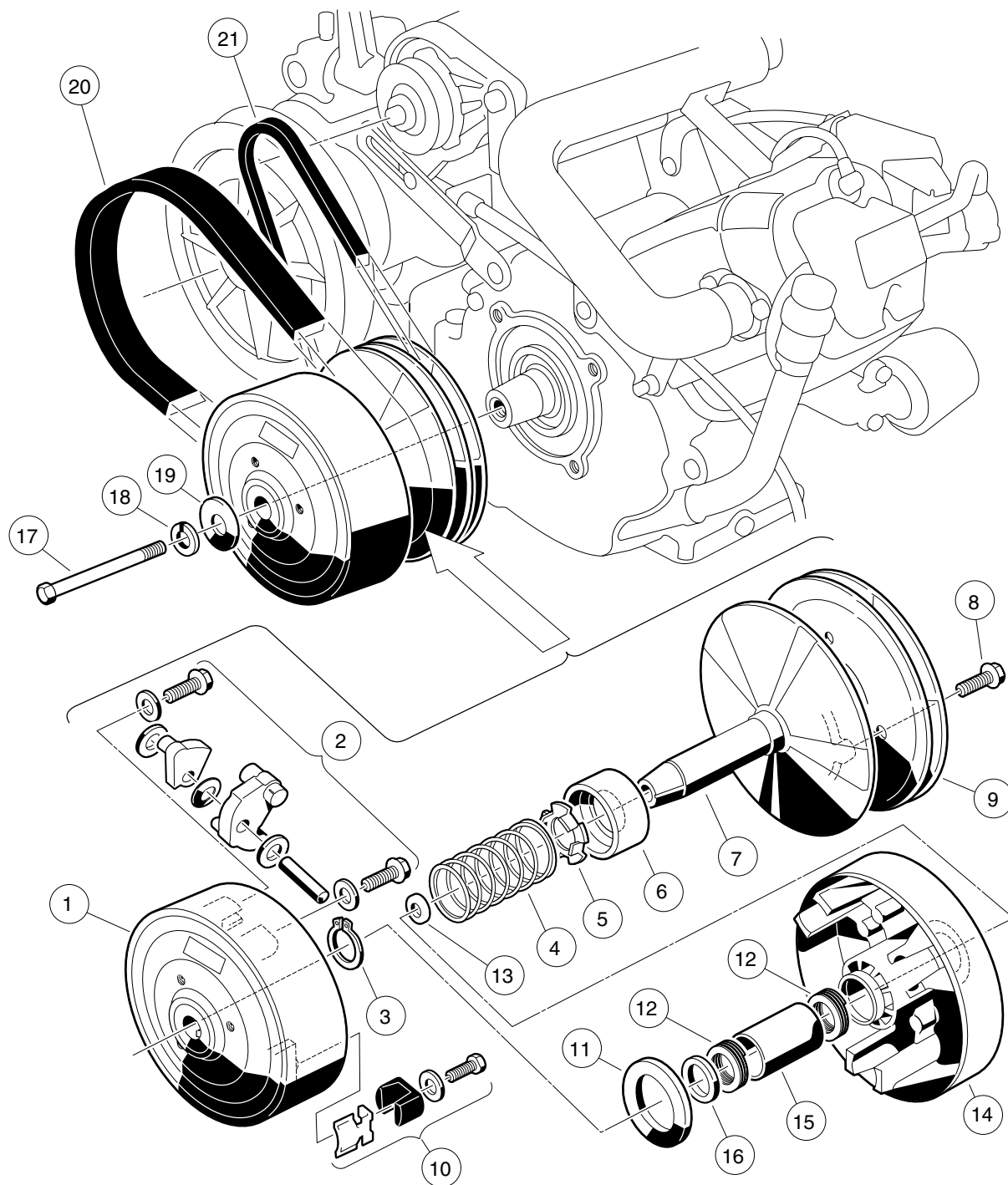


# ***TORQUE CONVERTER***

---

**G**

**9**

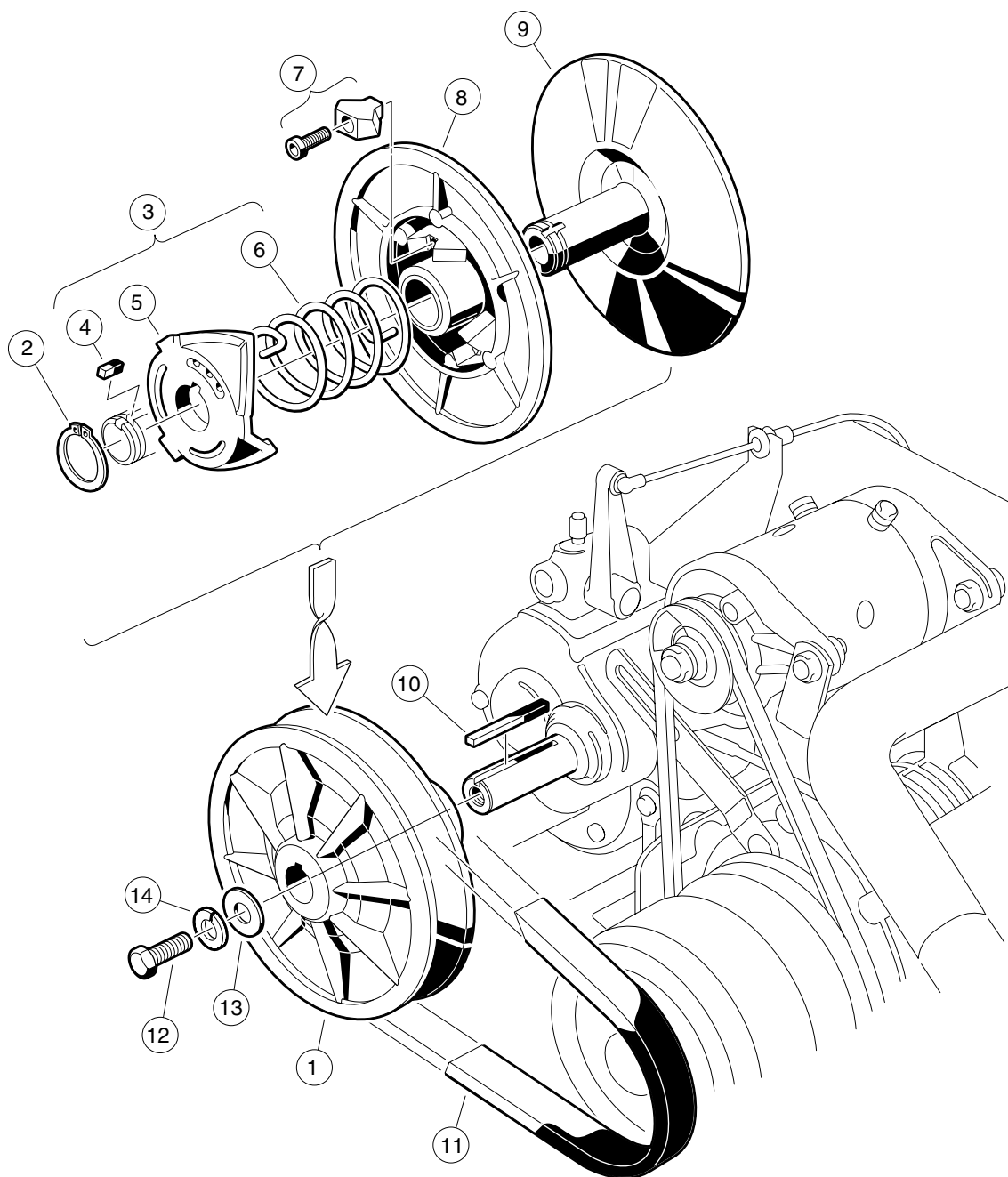


# DRIVE CLUTCH

ITEM	PART NO.	DESCRIPTION	QTY
		1 2 3 4	
	1016378-02	ASSEMBLY, DRIVE CLUTCH (INCLUDES ITEMS 1 - 16) .....	1
1	1014059	ASSEMBLY, DRIVE HUB .....	1
2	1016801	KIT, DRIVE CLUTCH WEIGHT .....	1
3	1014057	RING, RETAINING .....	1
4	1014051	SPRING, DRIVE CLUTCH .....	1
5	1014050	SPRING, RETAINER .....	1
6	1014049	BEARING, IDLER .....	1
7	1017383-01	ASSEMBLY, FIXED FACE (INCLUDES ITEMS 8 AND 9) .....	1
8	N/A	SCREW, WASHER HEAD HEX MACHINE .....	3
9	N/A	PULLEY .....	1
10	1014453	KIT, DRIVE CLUTCH BUTTON .....	1
11	1014058	WASHER, THRUST .....	1
12	1014056	RING, SPIRAL BACK-UP .....	2
13	1016289	SPACER, FIXED FACE SHAFT .....	1
14	1014052	ASSEMBLY, MOVABLE FACE (INCLUDES ITEMS 15 AND 16) .....	1
15	N/A	BUSHING .....	1
16	1014055	RETAINER .....	1
17	1012441	SCREW, HEX HEAD CAP, 3/8 - 24 x 5 1/2 .....	1
18	0000357	WASHER, LOCK, 3/8 .....	1
19	0000808	WASHER, FLAT, 3/8 .....	1
20	1016203	BELT, DRIVE .....	1
21	1015241	BELT, STARTER/GENERATOR .....	1

G

9



# DRIVEN CLUTCH

ITEM	PART NO.	DESCRIPTION	QTY
		1 2 3 4	
1	1016360-01	ASSEMBLY, DRIVEN CLUTCH (INCLUDES ITEMS 2 - 9) .....	1
2	1014080	RING, RETAINING .....	1
3	1017755	KIT , CAM (INCLUDES ITEMS 4 - 6) .....	1
4	1014078	KEY.....	1
5	N/A	CAM .....	1
6	N/A	SPRING .....	1
7	1014454	KIT, BUTTON .....	1
8	1014072	ASSEMBLY, MOVEABLE FACE, WITH BUSHING.....	1
9	1014458	ASSEMBLY, FIXED FACE .....	1
10	1012455	KEY, SQUARE TRANSMISSION.....	1
11	1016203	BELT, DRIVE .....	1
12	0007173	SCREW, HEX HEAD CAP, 5/16 - 18 x 3/4 .....	1
13	1017327	WASHER, MOUNTING .....	1
14	0007174	WASHER, LOCK, 5/16.....	1

G

9



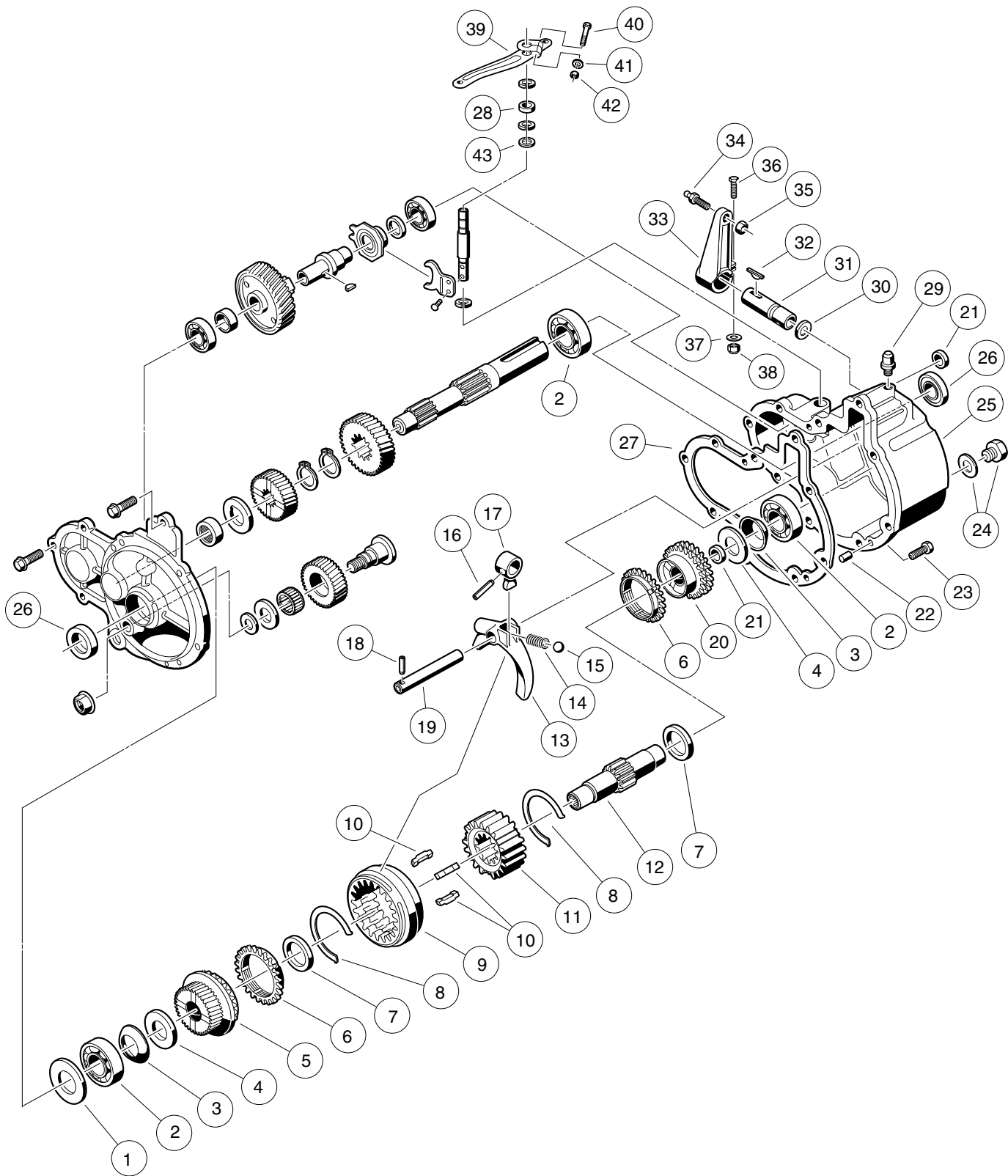


# ***TRANSMISSION***

---

**G**

**10**

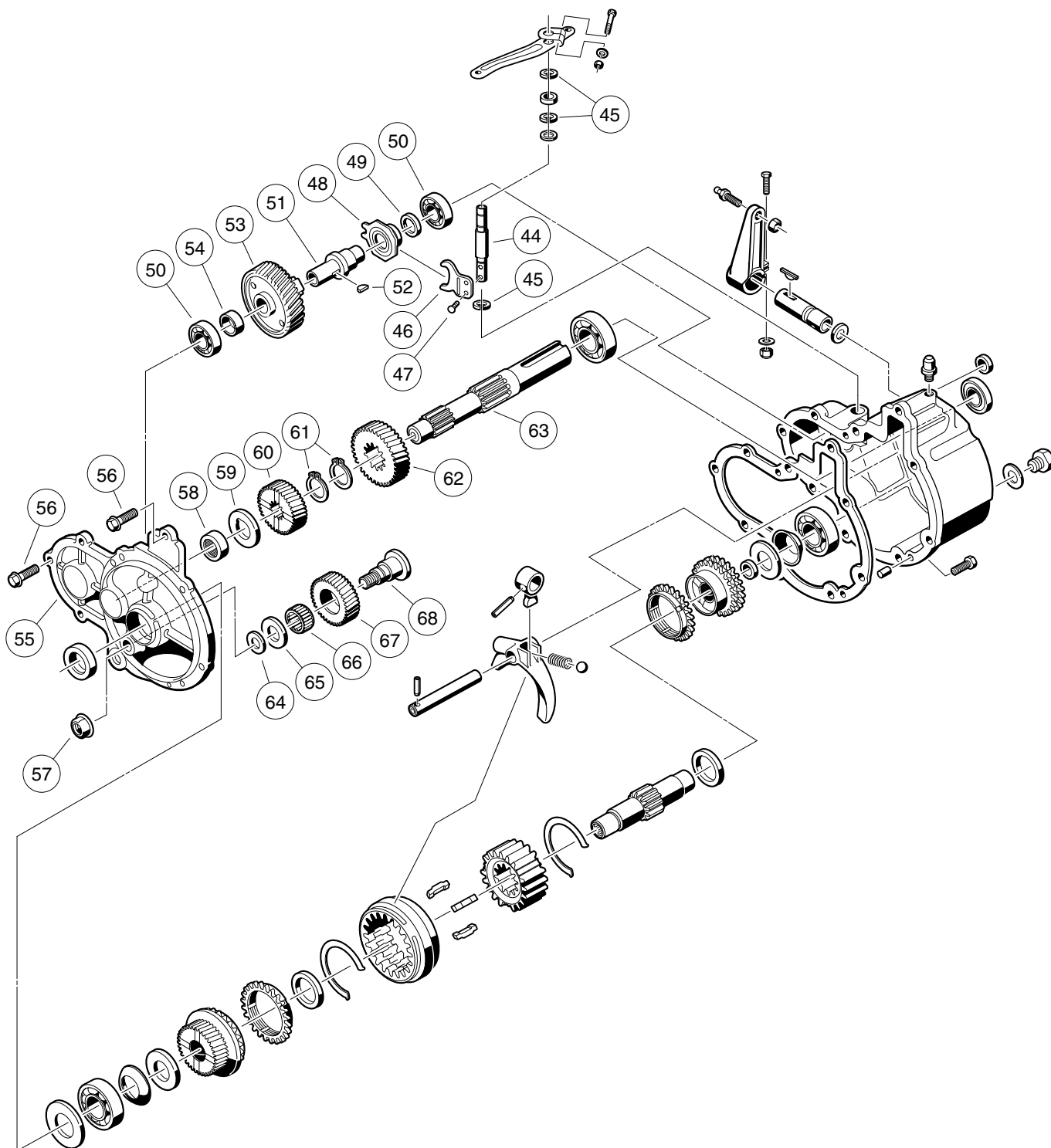


# TRANSMISSION

ITEM	PART NO.	DESCRIPTION	QTY
		1 2 3 4	
	1015747	TRANSMISSION .....	1
1	1012783	SHIM, 0.2MM .....	A/R
1	1012784	SHIM, 0.1MM .....	A/R
2	0007336	BEARING, BALL .....	3
3	1016338	WASHER, SPRING .....	2
4	1016337	WASHER, THRUST .....	2
5	1012737	ASSEMBLY, GEAR, 34 TOOTH .....	1
6	1012742	RING, SYNCHRONIZER .....	2
7	1012743	WASHER, THRUST .....	2
8	1012741	SPRING, SYNCHRONIZER .....	2
9	1012739	SLEEVE, CLUTCH .....	1
10	1012740	INSERT, SYNCHRONIZER .....	3
11	1012738	HUB, CLUTCH .....	1
12	1012734	SHAFT, OUTPUT .....	1
13	1012746	ARM, SLEEVE SHIFT .....	1
14	1012748	SPRING, SHIFTER .....	1
15	1012747	BALL, SHIFTER .....	1
16	1012752	PIN, ROLL .....	1
17	1012750	LEVER, SHIFTER ARM, INSIDE .....	1
18	1012749	PIN, ROLL .....	1
19	1012745	ROD, SHIFT .....	1
20	1016591	ASSEMBLY, GEAR, 28 TOOTH .....	1
21	1012735	PLUG .....	2
22	1012710	PIN, DOWEL .....	2
23	1012719	SCREW, HEX HEAD CAP, M6 x 1 x 14MM .....	1
24	1013759	PLUG, FILL, WITH GASKET .....	1
25	1013960	CASE, GEAR, WITHOUT LOCKOUT OPENING .....	1
26	1012714	SEAL, OIL .....	2
27	1012717	GASKET, CASE .....	1
28	1012767	SEAL, OIL .....	1
29	1012711	BREATHER .....	1
30	1012754	O-RING .....	1
31	1012751	SHAFT, SHIFTER .....	1
32	1017231	KEY, WOODRUFF .....	1
33	1016341	LEVER, TRANSMISSION SHIFTER .....	1
34	1010954	STUD, BALL, 1/4 - 28 x 9/16 .....	1
35	0008717	NUT, NYLON LOCK, 1/4 - 28 .....	1
36	1017082	SCREW, HEX WASHER HEAD, #10 - 32 x 3/4 .....	1
37	0000183	WASHER, FLAT, #10 .....	1
38	1013061	NUT, NYLON LOCK, #10 - 32 .....	1
39	1015710	ARM, GOVERNOR LEVER .....	1
40	1016686	BOLT, HEX, M6 x 1 x 28MM .....	1
41	1016513	WASHER, FLAT, M6 .....	1
42	1012919	NUT, M6 x 1 .....	1
43	1012765	WASHER, FLAT, M8 .....	1

G

10



# TRANSMISSION

ITEM	PART NO.	DESCRIPTION	QTY
		1 2 3 4	
44	1012762	SHAFT, GOVERNOR ARM .....	1
45	1012766	RING, SNAP .....	3
46	1012763	ARM, GOVERNOR, INTERNAL .....	1
47	1012764	SCREW, M4 x .7 x 6MM .....	2
48	1012757	SLEEVE, GOVERNOR .....	1
49	1012758	SPACER, THIN .....	1
50	1012761	BEARING, BALL .....	2
51	1016598	SHAFT, GOVERNOR .....	1
52	1012760	KEY, GOVERNOR SHAFT .....	1
53	1012755	GEAR, GOVERNOR, 41 TOOTH .....	1
54	1012759	SPACER, THICK .....	1
55	1016592	COVER .....	1
56	1012718	SCREW, HEX HEAD CAP, M6 x 1 x 20MM .....	4
57	1012733	NUT, FLANGE, M8 x 1.75 .....	1
58	1012716	BEARING, NEEDLE .....	1
59	1012723	WASHER, THRUST, 3.0MM .....	A/R
59	1012724	WASHER, THRUST, 3.3MM (WHITE) .....	A/R
59	1012725	WASHER, THRUST, 3.6MM (YELLOW) .....	A/R
60	1012722	GEAR, 25 TOOTH .....	1
61	1012727	RING, SNAP .....	2
62	1016594	GEAR, 29 TOOTH .....	1
63	1012720	SHAFT, INPUT .....	1
64	1012732	O-RING .....	1
65	1012730	WASHER, THRUST .....	1
66	1012731	BEARING, NEEDLE .....	1
67	1012729	GEAR, REVERSE IDLER .....	1
68	1012728	SHAFT, IDLER .....	1

G

10

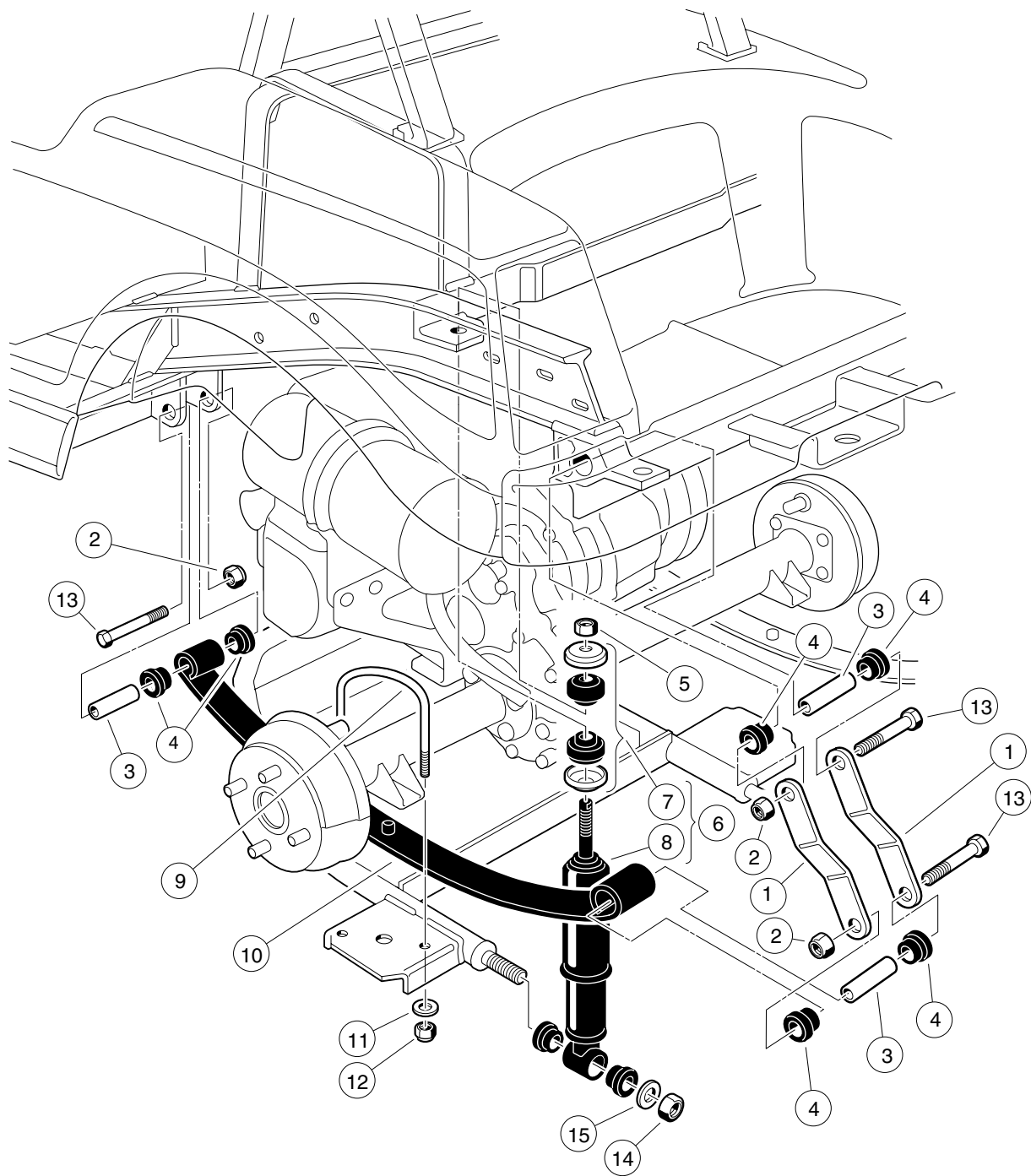


# ***REAR SUSPENSION GASOLINE VEHICLE***

---

**G**

**11**



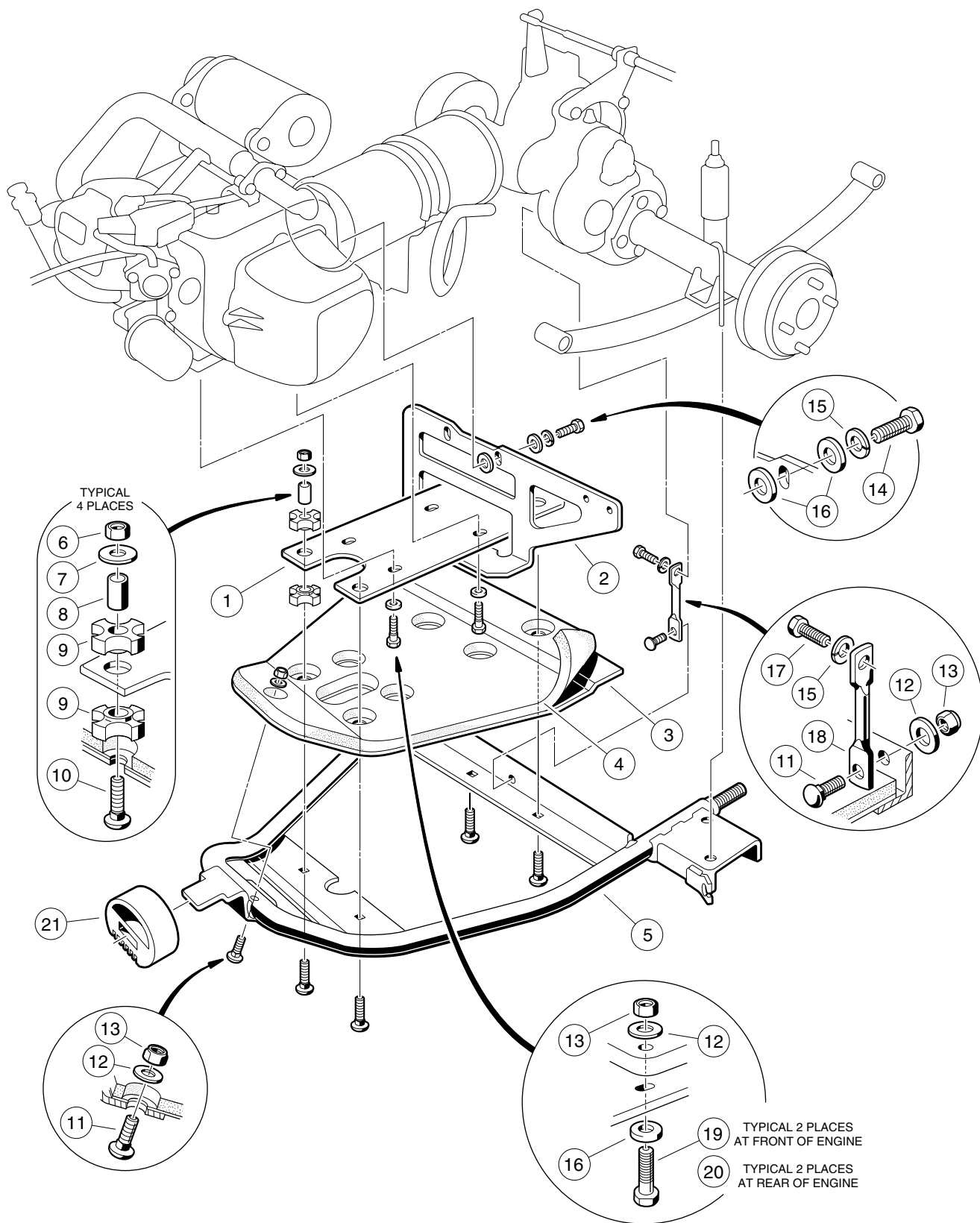


# REAR SUSPENSION

ITEM	PART NO.	DESCRIPTION	QTY
		1 2 3 4	
1	1012304	SHACKLE, REAR SPRING .....	4
2	0008754	NUT, NYLON LOCK, 3/8 - 16 .....	6
3	1012303	BUSHING, STEEL .....	4
4	1015583	BUSHING, URETHANE .....	12
5	1010145	NUT, HEX, 3/8 - 24 .....	2
6	1012781	KIT, SHOCK ABSORBER (INCLUDES ITEMS 7 AND 8).....	2
7	1011415	KIT, SHOCK ABSORBER CUSHION .....	2
8	1014234	SHOCK ABSORBER, REAR .....	2
9	1012180	"U" BOLT .....	2
10	1012324	SPRING, REAR LEAF .....	2
11	1014557	WASHER, FLAT, 7/16.....	4
12	1014555	NUT, NYLON LOCK, 7/16 - 24 .....	4
13	0008755	SCREW, HEX HEAD CAP, 3/8 - 16 x 3 3/8 .....	6
14	1010188	NUT, DIMPLED LOCK, 5/8 - 11.....	2
15	1010193	WASHER, FLAT, 5/8.....	2

**G**

**11**



# INNER FRAME

ITEM	PART NO.	DESCRIPTION	QTY
		1 2 3 4	
1	1016869	PLATE, INNER FRAME MOUNTING .....	1
2	1016206	PLATE, MUFFLER MOUNTING .....	1
3	1016196	PAN, BELLY .....	1
4	1016197	INSULATION, BELLY PAN SOUND .....	1
5	1016870	ASSEMBLY, INNER FRAME WELD .....	1
6	0008754	NUT, NYLON LOCK, 3/8 - 16 .....	4
7	0000808	WASHER, FLAT, 3/8.....	4
8	1017033	BUSHING, STEEL .....	4
9	1016810	MOUNT, ENGINE .....	8
10	1012428	BOLT, ROUND HEAD SQUARE NECK, 3/8 - 16 x 2 1/4.....	4
11	1015932	BOLT, ROUND HEAD SQUARE NECK, 5/16 - 18 x 1 .....	1
12	0001241	WASHER, FLAT, 5/16.....	5
13	0007473	NUT, NYLON LOCK, 5/16 - 18 .....	5
14	1015709	SCREW, HEX HEAD CAP, M8 x 1.25 x 30MM .....	2
15	0007174	WASHER, LOCK, 5/16.....	3
16	1012571	WASHER, HEAVY FLAT, 5/16 .....	8
17	1010577	SCREW, HEX HEAD CAP, 5/16 - 18 x 1 1/2 .....	1
18	1016200-01	SUPPORT, TRANSMISSION STRAP .....	1
19	0008963	SCREW, HEX HEAD CAP, 5/16 - 18 x 1 3/4 .....	2
20	0008916	SCREW, HEX HEAD CAP, 5/16 - 18 x 2.....	2
21	1012164	SNUBBER, INNER FRAME.....	1

**G**

**11**

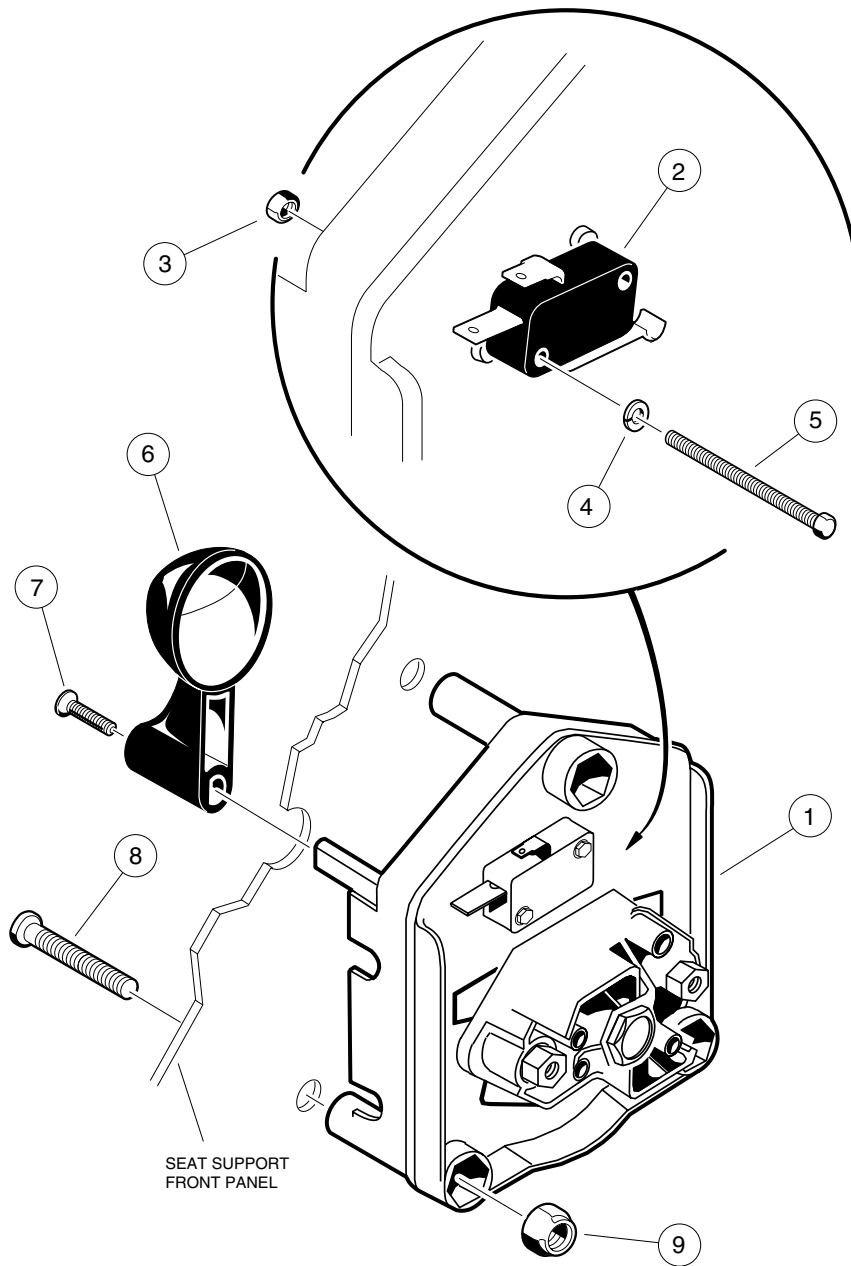


# ***ELECTRICAL SYSTEM ELECTRIC VEHICLE***

---

***F***

***12***

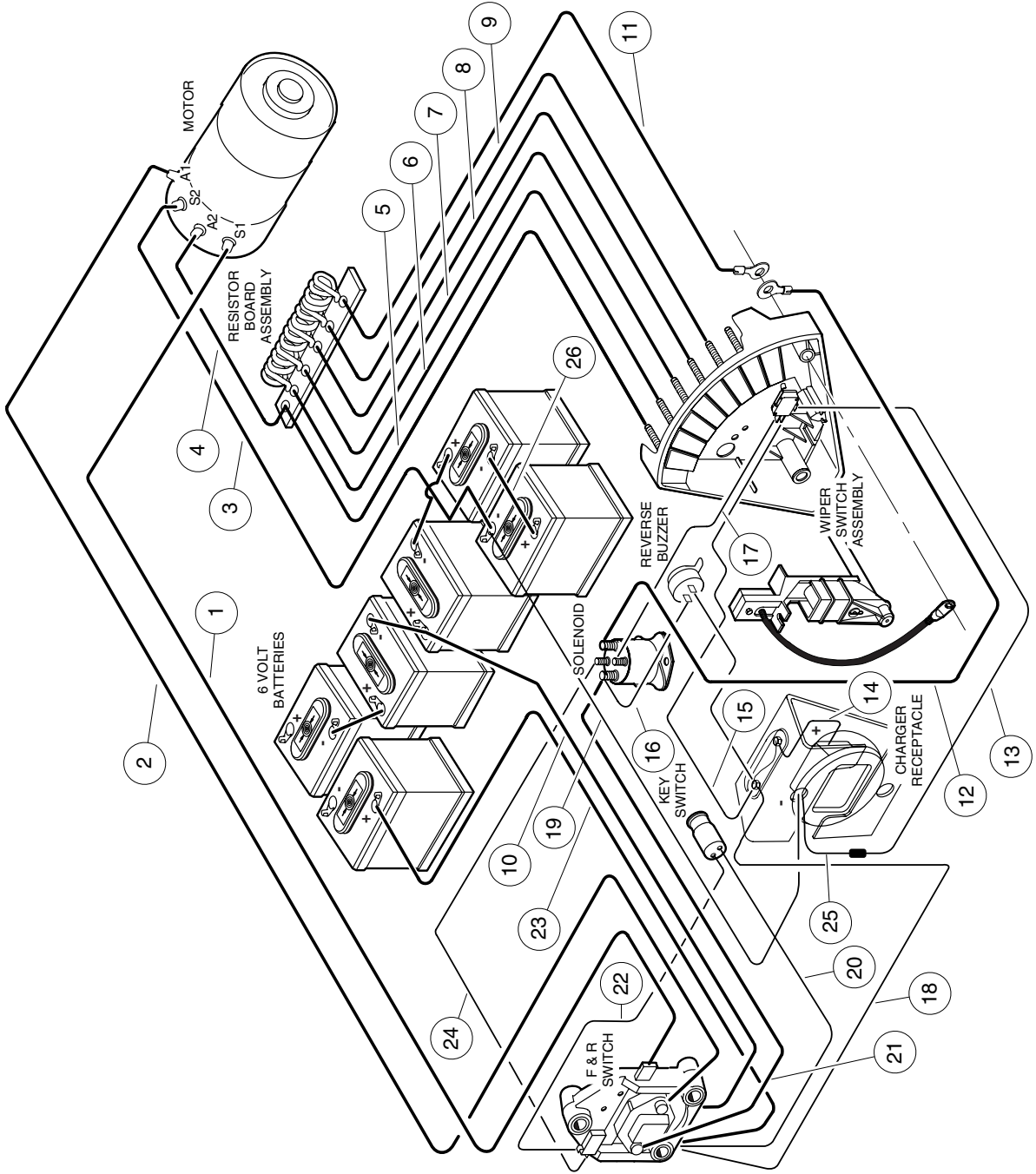


# FORWARD AND REVERSE SWITCH - 36 VOLT

ITEM	PART NO.	DESCRIPTION	QTY
		1 2 3 4	
1	1017530-03	ASSEMBLY, FOWARD AND REVERSE SWITCH (INCLUDES ITEMS 2-5).....	1
2	1014808	SWITCH, LIMIT .....	1
3	0008057	NUT, HEX, #4 - 40 .....	2
4	0008058	WASHER, LOCK, #4 .....	2
5	1014871	SCREW, HEX WASHER HEAD, #4 - 40 x 2 .....	2
6	1012987	HANDLE, FOWARD AND REVERSE SWITCH .....	1
7	1013198	SCREW, PHILLIPS HEAD MACHINE, #8 - 32 x 5/8 .....	1
8	1016845	SCREW, PHILLIPS TRUSS HEAD, 1/4 - 20 x 2 1/8 .....	3
9	0008233	NUT, NYLON LOCK, 1/4 - 20 .....	3

**E**

**12**





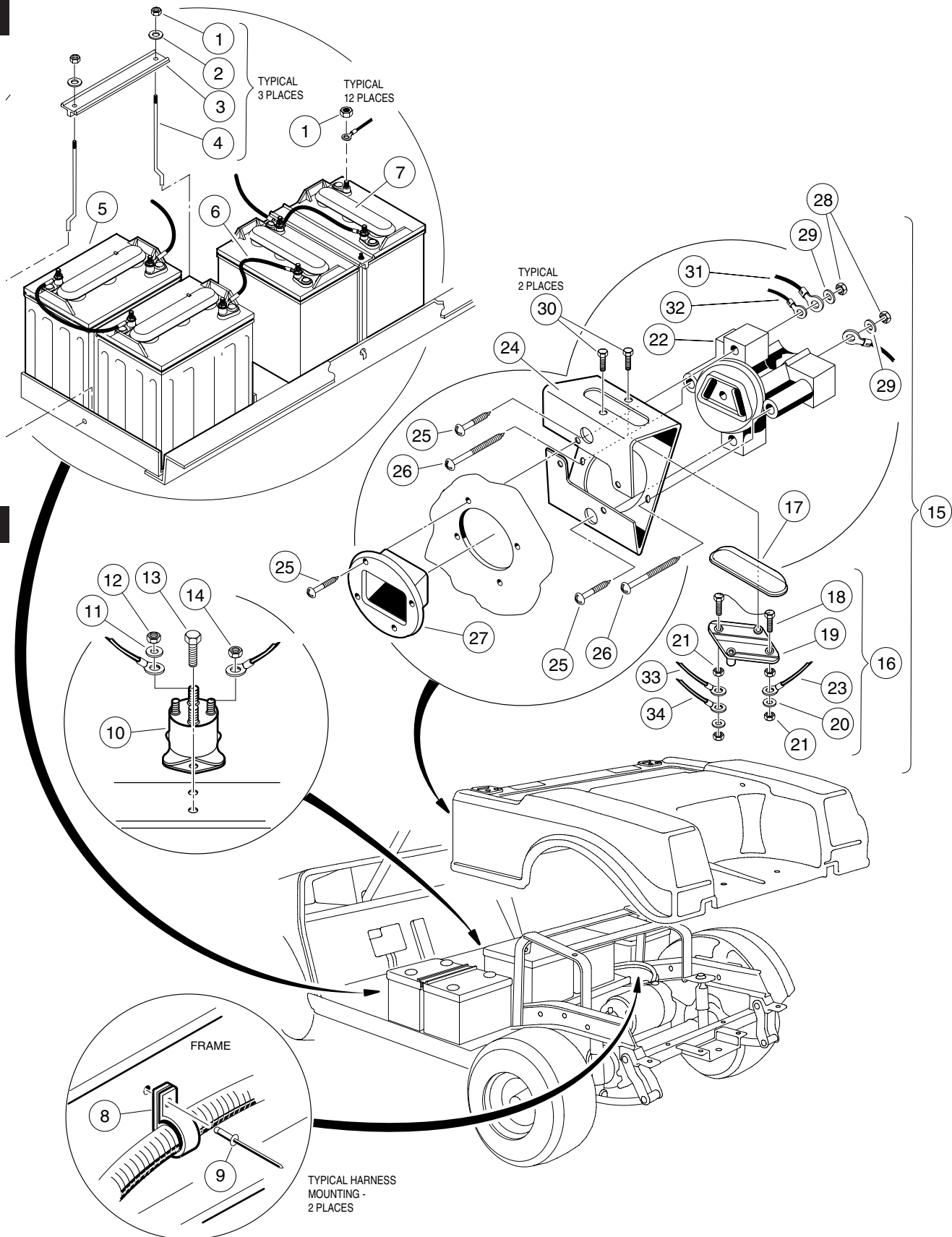
# POWER WIRING - 36 VOLT V-GLIDE VEHICLE

ITEM	PART NO.	DESCRIPTION	QTY
		1 2 3 4	
1	1016070	WIRE ASSEMBLY, #6 BROWN .....	1
2	1016069	WIRE ASSEMBLY, #6 PURPLE .....	1
3	1012651	WIRE ASSEMBLY, #6 BLACK .....	1
4	1016068	WIRE ASSEMBLY, #6 GRAY .....	1
5	1014036	WIRE ASSEMBLY, #6 BLACK .....	1
6	1014035	WIRE ASSEMBLY, #6 BLUE, 6TH SPEED .....	1
7	1014034	WIRE ASSEMBLY, #6 GREEN, 5TH SPEED .....	1
8	1014033	WIRE ASSEMBLY, #6 YELLOW, 4TH SPEED .....	1
9	1014032	WIRE ASSEMBLY, #6 ORANGE, 3RD SPEED .....	1
10	1014828	WIRE ASSEMBLY, #6 GREEN .....	1
11	1014030	WIRE ASSEMBLY, #6 WHITE, 1ST SPEED .....	1
12	1014029	WIRE ASSEMBLY, #6 WHITE .....	1
13	1016636	WIRE ASSEMBLY, #18 BLACK .....	1
14	1013092	WIRE ASSEMBLY, #10 RED .....	1
15	1016639	WIRE ASSEMBLY, #18 ORANGE .....	1
16	1016640	WIRE ASSEMBLY, #18 WHITE .....	1
17	1014023	WIRE ASSEMBLY, #18 GREEN .....	1
18	1012237	WIRE ASSEMBLY, #10 RED .....	1
19	1011010	WIRE ASSEMBLY, #10 WHITE .....	1
20	1016637	WIRE ASSEMBLY, #18 RED .....	1
21	1014039	WIRE ASSEMBLY, #6 WHITE .....	1
22	1011006	WIRE ASSEMBLY, #18 BLUE .....	1
23	1011069	WIRE ASSEMBLY, #6 RED .....	1
24	1014040	WIRE ASSEMBLY, #18 YELLOW .....	1
25	1016632	WIRE ASSEMBLY, #18 BLACK .....	1
26	1010958	WIRE ASSEMBLY, #6 BLACK .....	1

**E**

**12**

**E**

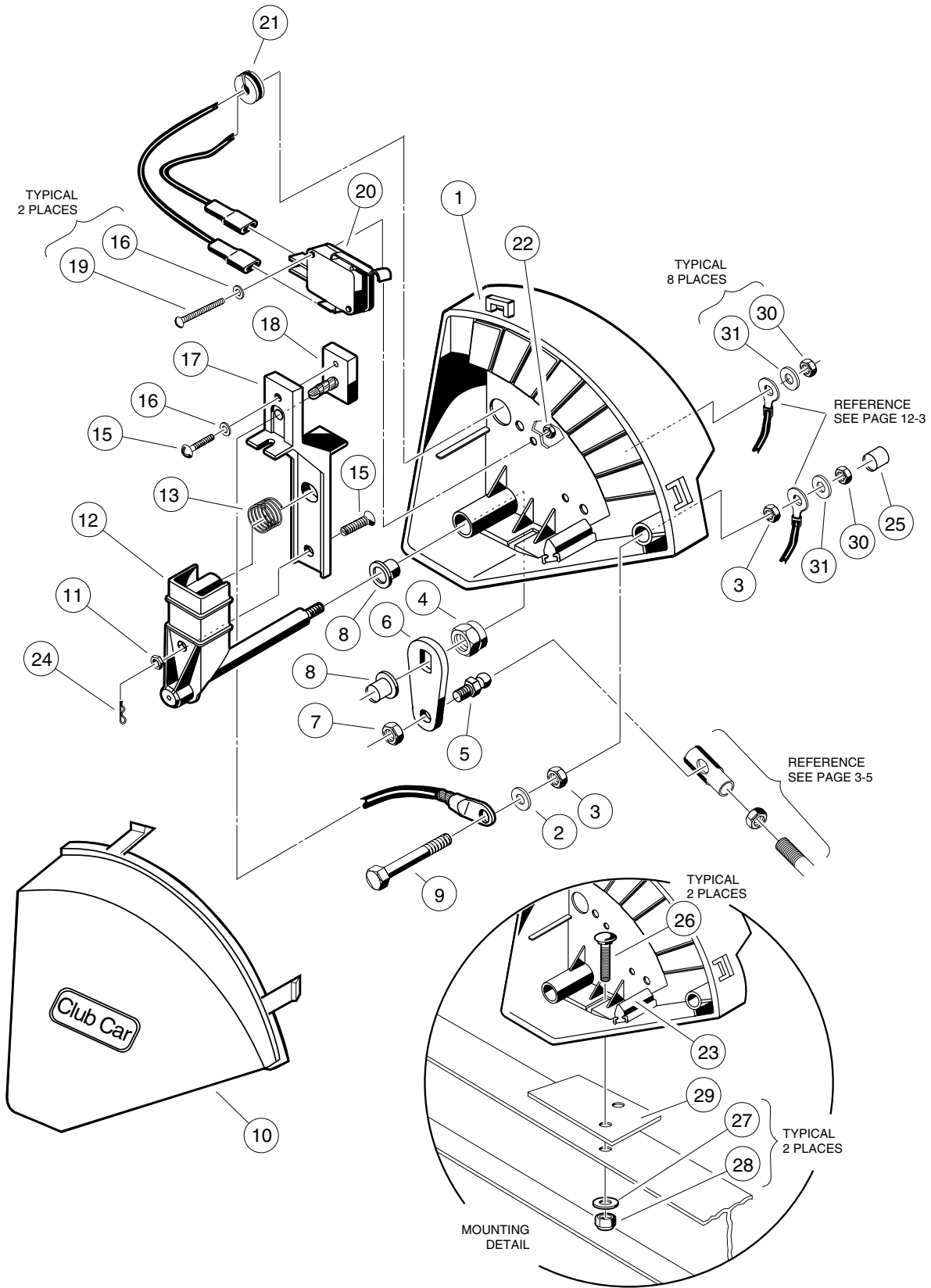


# ELECTRICAL COMPONENT MOUNTING 36 VOLT V-GLIDE VEHICLE

ITEM	PART NO.	DESCRIPTION	QTY
		1 2 3 4	
1	1014304	NUT, HEX, 5/6 - 18 .....	18
2	1011578	WASHER, FLAT, 5/16 .....	6
3	1010908	HOLD-DOWN, BATTERY .....	3
4	1013683	BOLT, "J" .....	6
5	1016616-01	BATTERY, 6 VOLT .....	6
6	1010958	ASSEMBLY, WIRE, #6 BLACK .....	5
7	1018314-01	CAP, 6 VOLT BATTERY .....	6
8	1012022	CLAMP, CABLE .....	2
9	0001606	RIVET, POP, 3/16 .....	2
10	0008016	SOLENOID, 36 VOLT .....	1
11	0007174	WASHER, HELICAL SPRING, 5/16 .....	2
12	0001242	NUT, HEX, 5/16 - 18 .....	2
13	1012285	SCREW, THREAD ROLLING, 1/4 - 20 x 5/8 .....	2
14	0007893	NUT, HEX, #10 - 32 .....	2
15	1013425-01	KIT, FUSE AND RECEPTACLE (INCLUDES ITEMS 16-30) .....	1
16	1014516	KIT, FUSE (INCLUDES ITEMS 17-21) .....	1
17	1012143	LENS, FUSE .....	1
18	1012085	FUSE, 80 AMP .....	1
19	1012142	HOLDER, FUSE .....	1
20	0001016	WASHER, LOCK, #10 .....	2
21	0008797	NUT, BRASS, #10 - 32 .....	4
22	0004107	RECEPTACLE, CHARGER, 2 PRONG .....	1
23	1013092	ASSEMBLY, WIRE, #10 RED .....	1
24	1013628	BRACKET, FUSE AND RECEPTACLE MOUNTING .....	1
25	0008796	SCREW, PHILLIPS PAN HEAD SELF-TAPPING, #7 -19 x 3/4 .....	6
26	0008795	SCREW, PHILLIPS PAN HEAD SELF-TAPPING, #7 -19 x 1 3/4 .....	2
27	1013649	BEZEL, CHARGER RECEPTACLE .....	1
28	0008797	NUT, BRASS, #10 - 32 .....	2
29	0001016	WASHER, LOCK, #10 .....	2
30	1013266	SCREW, PHILLIPS TRUSS HEAD, #8 - 18 x 1/2 .....	2
31	1016632	ASSEMBLY, WIRE, #18 BLACK .....	1
32	1011010	ASSEMBLY, WIRE, #10 WHITE .....	1
33	1012237	ASSEMBLY, WIRE, # 10 RED .....	1
34	1016639	ASSEMBLY, WIRE, #18 ORANGE .....	1

**E**

**12**

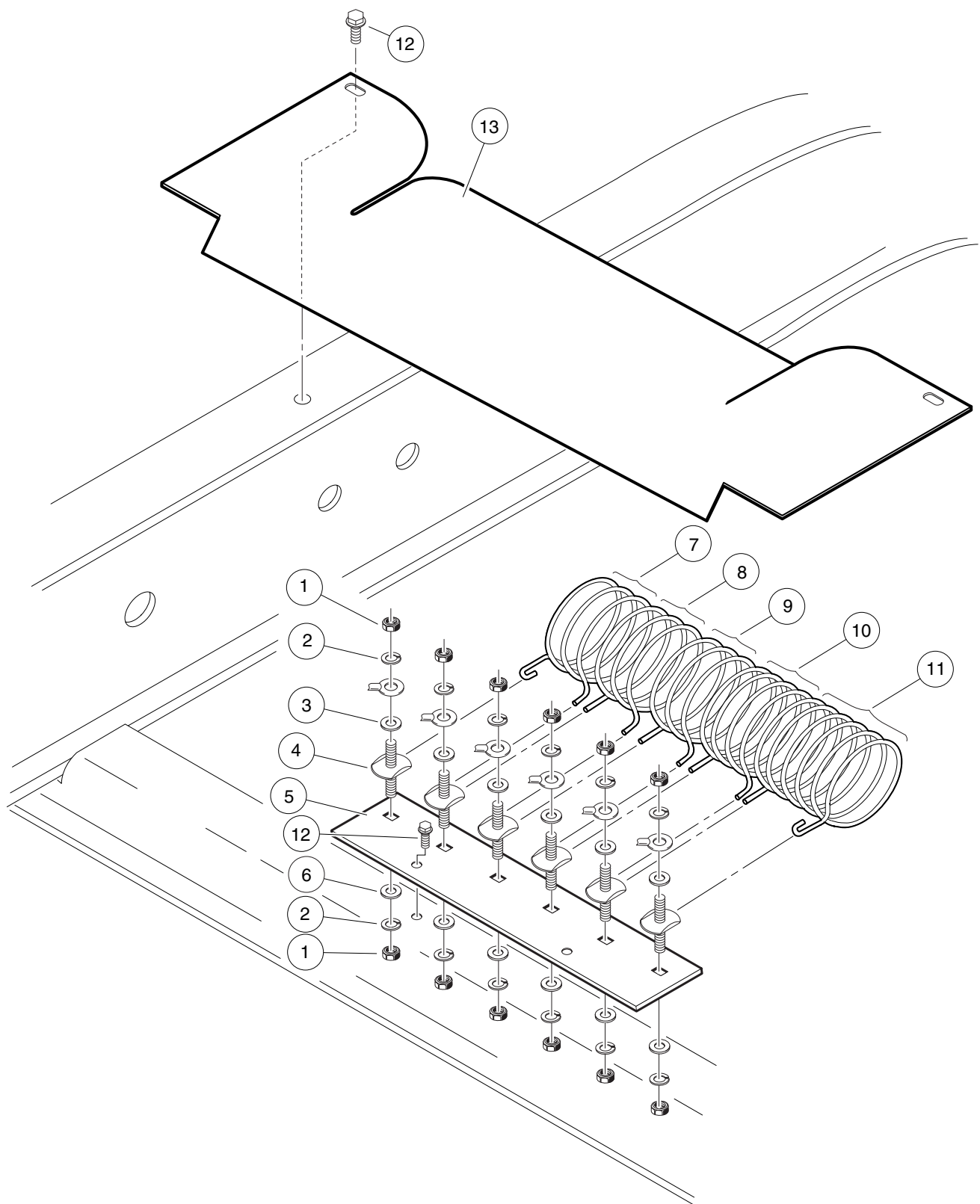


# WIPER SWITCH - 36 VOLT V-GLIDE VEHICLE

ITEM	PART NO.	DESCRIPTION	QTY
		1 2 3 4	
	1016140	ASSEMBLY, V - GLIDE WIPER SWITCH (INCLUDES ITEMS 1 - 24).....	1
1	1014999	ASSEMBLY, WIPER SWITCH CASE, 6 SPEED .....	1
2	0000451	WASHER, LOCK, 1/4.....	1
3	1014253	NUT, BRASS HEX JAM, 1/4 - 20 .....	2
4	0007473	NUT, NYLON LOCK, 5/16 - 18 .....	1
5	1012353	STUD, SHORT BALL 1/4 - 28.....	1
6	1014003	CRANK, BELL .....	1
7	0008449	NUT, DIMPLED LOCK, 1/4 - 28.....	1
8	1012903	BEARING, BRONZE, 3/8 x 1/2 .....	2
9	1014189	SCREW, BRONZE HEX HEAD CAP, 1/4 - 20 x 2.....	1
10	1013886	COVER, WIPER SWITCH CASE .....	1
11	0007893	NUT, HEX, #10 - 32 .....	1
12	1014017	CARRIER, WIPER SWITCH ARM .....	1
13	1013998	SPRING, WIPER SWITCH BRUSH .....	1
14	1014000	STUD, WIPER SWITCH ADJUSTING .....	1
15	1014019	SCREW, SELF-TAPPING, #4 - 40 x 3/8.....	1
16	0008058	WASHER, LOCK, #4.....	3
17	1013887	ARM, SPEED SWITCH .....	1
18	1013860	ASSEMBLY, SWITCH BRUSH .....	1
19	0008056	SCREW, ROUND HEAD MACHINE, #4 - 40 x 3/4.....	2
20	1014807	SWITCH, LIMIT .....	1
21	1014010	GROMMET, SPLIT .....	1
22	0008057	NUT, HEX, #4 - 40 .....	2
23	1014414	BUMPER, WIPER SWITCH .....	1
24	1014413	PIN, HAIR SPRING COTTER.....	1
25	1017692	CAP, PROTECTOR .....	1
26	1014109	BOLT, ROUND HEAD SQUARE NECK, #10 - 24 x 1 .....	2
27	1016175	WASHER, LOCK, #10.....	2
28	0001017	NUT, HEX, #10 - 24 .....	2
29	1014367	SHIM, WIPER SWITCH .....	1
30	0001014	NUT, BRASS HEX, 1/4 - 20.....	9
31	0000451	WASHER, LOCK, 1/4.....	9

**F**

**12**

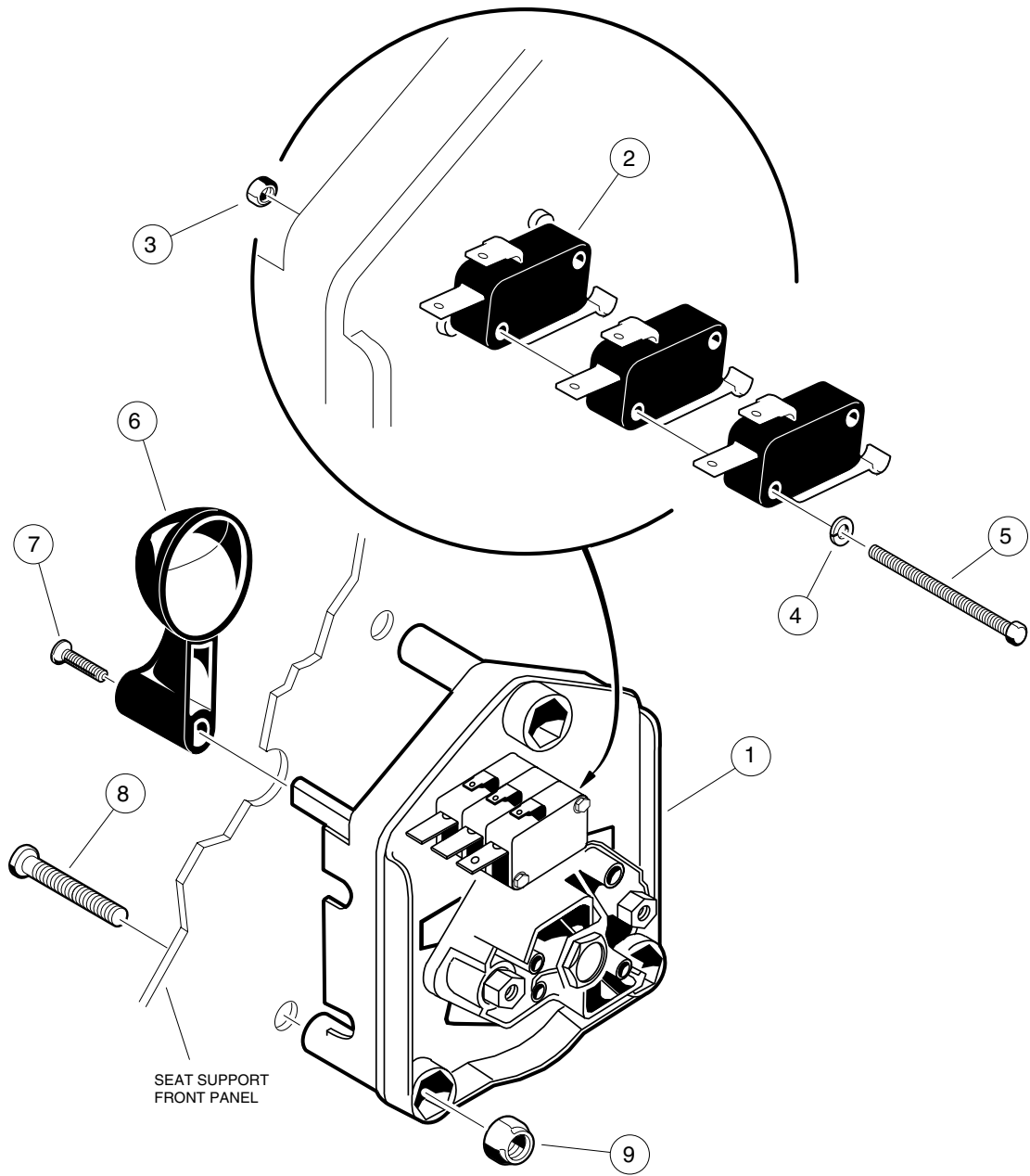


# RESISTOR AND BOARD ASSEMBLY 36 VOLT V-GLIDE VEHICLE

ITEM	PART NO.	DESCRIPTION	QTY
		1 2 3 4	
1	0001028	NUT, HEX 1/4 - 20 .....	12
2	0000451	WASHER, LOCK, 1/4 .....	12
3	1011931	WASHER, FLAT, 1/4 .....	6
4	1014045	STAND-OFF, RESISTOR COIL .....	6
5	1014728	BOARD, RESISTOR MOUNTING .....	1
6	0000332	WASHER, FLAT, 1/4 .....	6
7	1014655	COIL, RESISTOR .....	1
8	1014654	COIL, RESISTOR .....	1
9	1014013	COIL, RESISTOR .....	1
10	1014014	COIL, RESISTOR .....	1
11	1014729	COIL, RESISTOR .....	1
12	1012285	SCREW, THREAD ROLLING 1/4 - 20 x 5/8 .....	4
13	1013971	SHIELD, RESISTOR .....	1

**F**

**12**



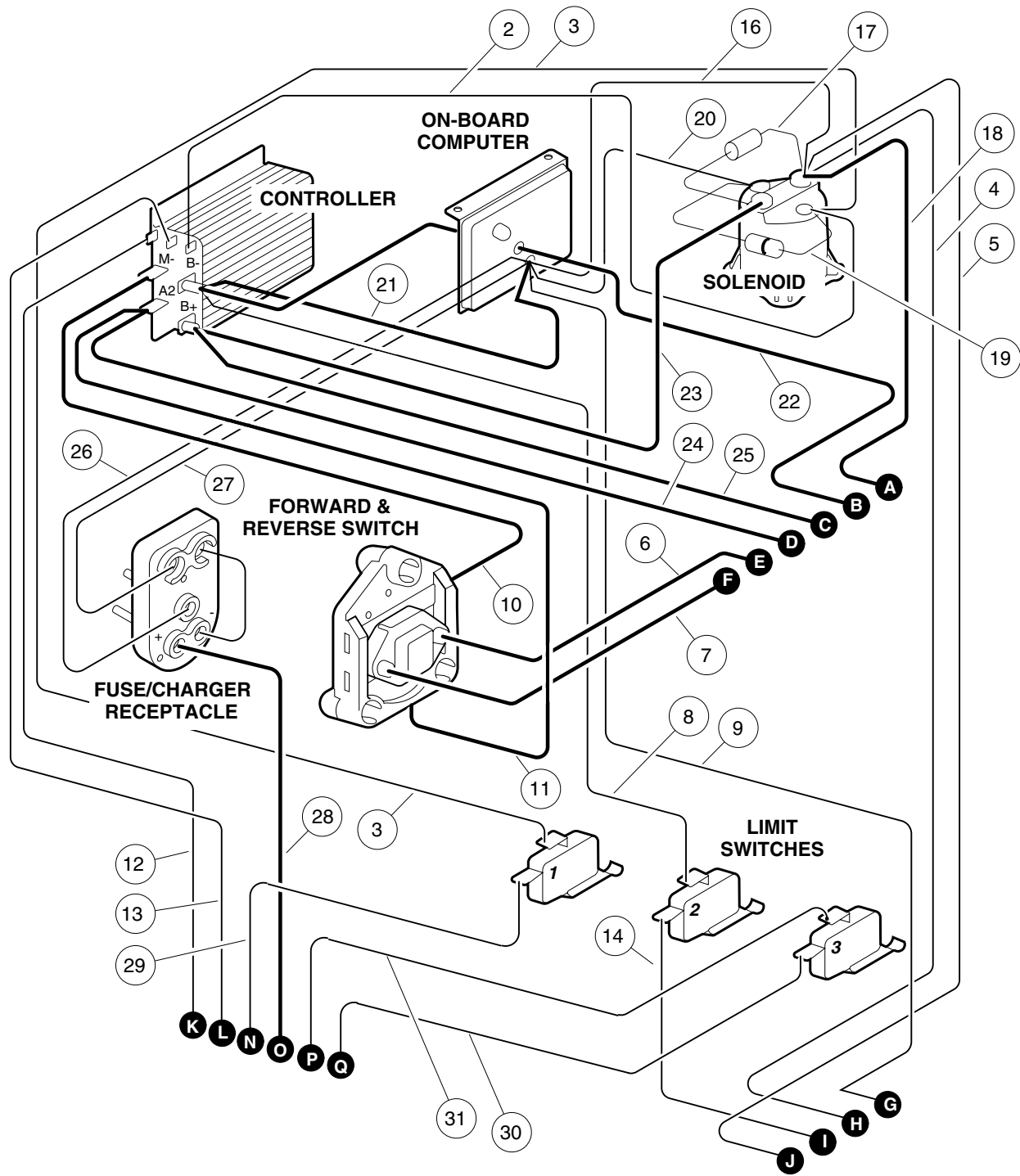


# FORWARD AND REVERSE SWITCH - POWERDRIVE

ITEM	PART NO.	DESCRIPTION	QTY
		1 2 3 4	
1	1017530-04	ASSEMBLY, FOWARD AND REVERSE SWITCH (INCLUDES ITEMS 2-5).....	1
2	1014808	SWITCH, LIMIT .....	3
3	0008057	NUT, HEX, #4 - 40 .....	2
4	0008058	WASHER, LOCK, #4 .....	2
5	1014871	SCREW, HEX WASHER HEAD, #4 - 40 x 2 .....	2
6	1012987	HANDLE, FOWARD AND REVERSE SWITCH .....	1
7	1013198	SCREW, PHILLIPS HEAD MACHINE, #8 - 32 x 5/8 .....	1
8	1016845	SCREW, PHILLIPS TRUSS HEAD, 1/4 - 20 x 2 1/8 .....	3
9	0008233	NUT, NYLON LOCK, 1/4 - 20 .....	3

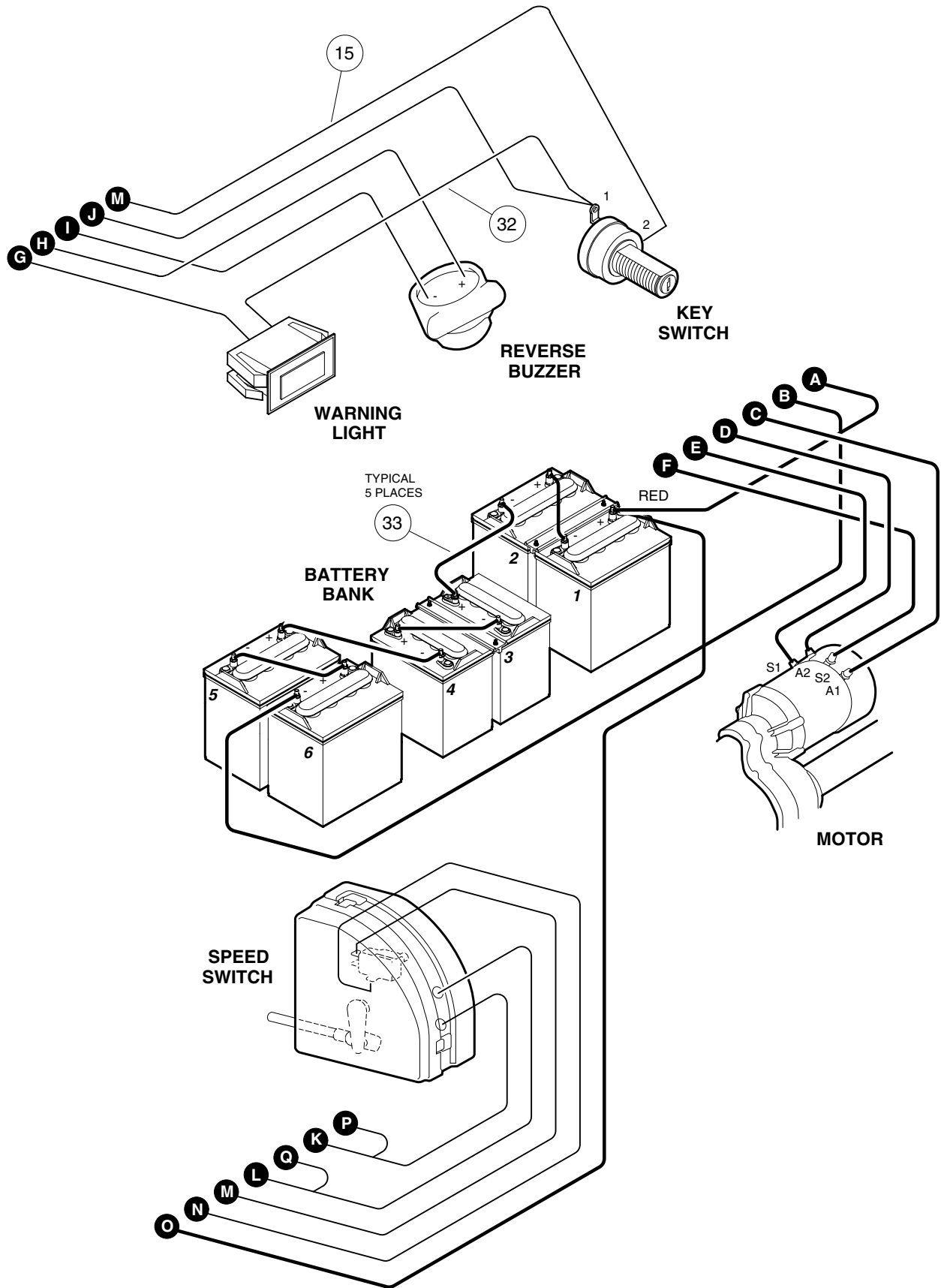
E

12

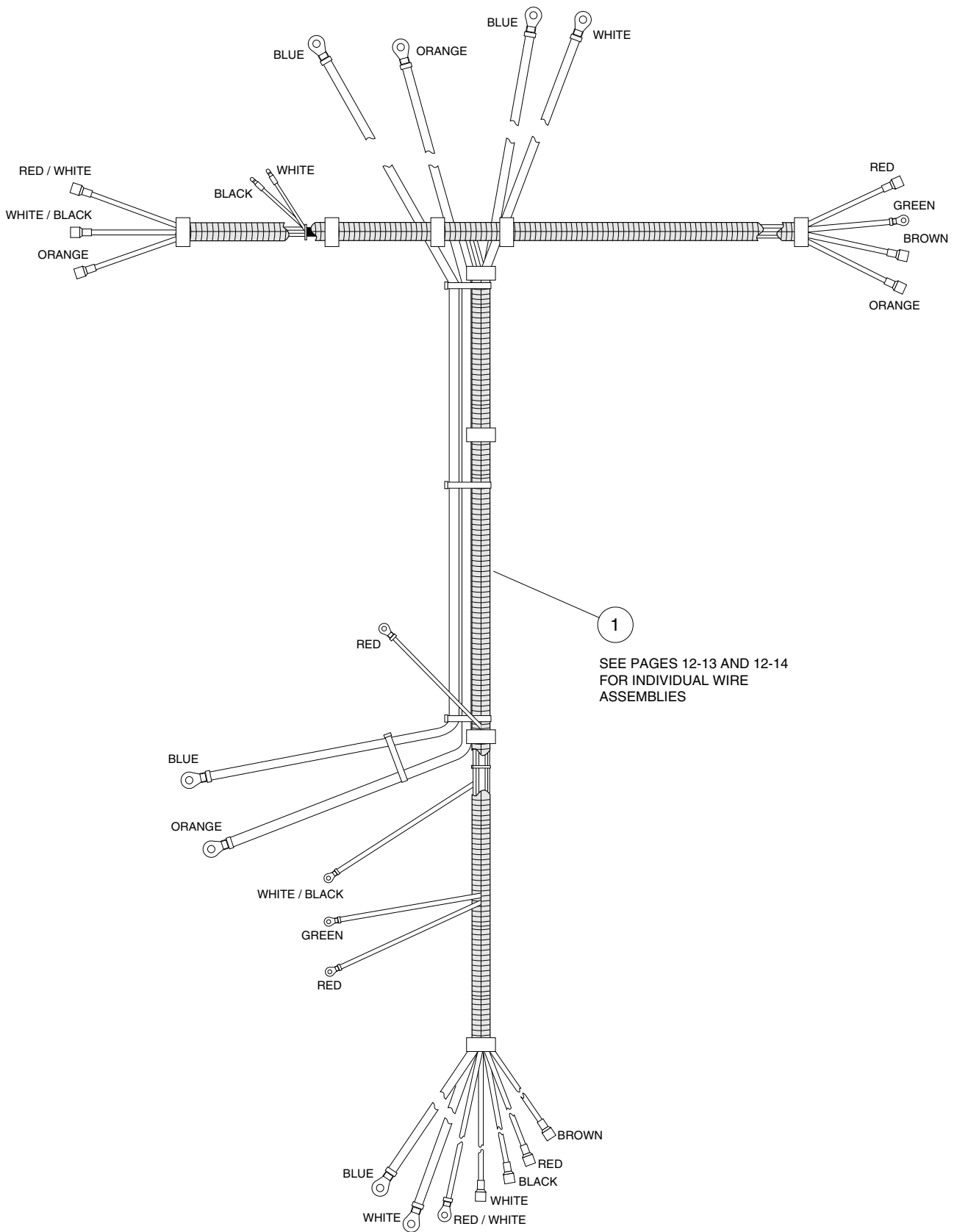


# POWER WIRING - POWERDRIVE SYSTEM 48

**E**



**12**

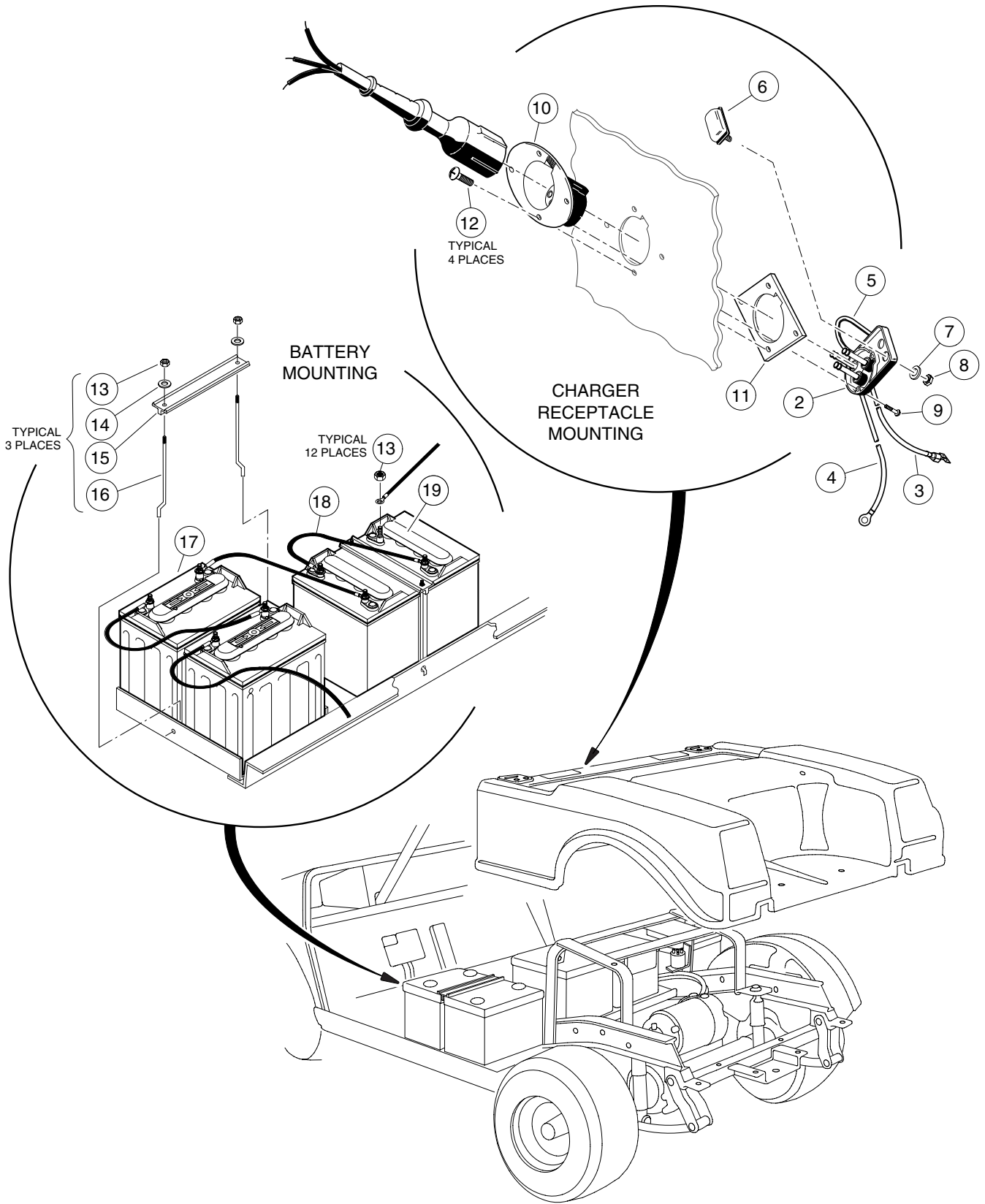


# POWER WIRING - POWERDRIVE SYSTEM 48

ITEM	PART NO.	DESCRIPTION	QTY
		1 2 3 4	
1	1017942-02	HARNESS, POWERDRIVE POWER WIRING (PAGE 12-15, INCLUDES ITEMS 2 - 16 ON PAGES 12-13 AND 12-14) .....	1
2	1015865	WIRE ASSEMBLY, #18 RED .....	1
3	1016122	WIRE ASSEMBLY, #18 WHITE/BLACK .....	1
4	1016135	WIRE ASSEMBLY, #18 RED .....	1
5	1016121	WIRE ASSEMBLY, #18 GREEN .....	1
6	1014854	WIRE ASSEMBLY, #6 ORANGE .....	1
7	1018109	WIRE ASSEMBLY, #6 BLUE .....	1
8	1017993	WIRE ASSEMBLY, #18 RED/WHITE .....	1
9	1017956	WIRE ASSEMBLY, #18 BROWN .....	1
10	1018110	WIRE ASSEMBLY, #6 BLUE .....	1
11	1015769	WIRE ASSEMBLY, #6 WHITE .....	1
12	1015864	WIRE ASSEMBLY, #18 WHITE .....	1
13	1015863	WIRE ASSEMBLY, #18 BLACK .....	1
14	1016134	WIRE ASSEMBLY, #18 ORANGE .....	1
15	1016133	WIRE ASSEMBLY, #18 BLUE .....	1
16	N/A	WIRE ASSEMBLY, #18 RED (PART OF ON-BOARD COMPUTER ASSEMBLY) .....	1
17	1014947	RESISTOR ASSEMBLY .....	1
18	1015859	WIRE ASSEMBLY, #6 RED .....	1
19	1014978	DIODE ASSEMBLY .....	1
20	N/A	WIRE ASSEMBLY, #18 YELLOW (PART OF ON-BOARD COMPUTER ASSEMBLY) .....	1
21	N/A	WIRE ASSEMBLY, #10 BLACK (PART OF ON-BOARD COMPUTER ASSEMBLY) .....	1
22	1018278-01	KIT, WIRE AND TERMINAL, #6 BLACK .....	1
23	1015858	WIRE ASSEMBLY, # YELLOW .....	1
24	1015861	WIRE ASSEMBLY, #6 WHITE .....	1
25	1015860	WIRE ASSEMBLY, #6 GREEN .....	1
26	N/A	WIRE ASSEMBLY, #10 GREY (PART OF ON-BOARD COMPUTER ASSEMBLY) .....	1
27	N/A	WIRE ASSEMBLY, #10 BLACK (PART OF ON-BOARD COMPUTER ASSEMBLY) .....	1
28	N/A	WIRE ASSEMBLY, #10 RED (PART OF FUSE AND RECEPTACLE ASSEMBLY) .....	1
29	1017394	WIRE ASSEMBLY, #18 GREEN/WHITE .....	1
30	1015863	WIRE ASSEMBLY, #18 BLACK .....	1
31	1015864	WIRE ASSEMBLY, #18 WHITE .....	1
32	1017967	WIRE ASSEMBLY, #18 ORANGE/WHITE .....	1
33	1017957-01	WIRE ASSEMBLY, #6 BLACK .....	5

E

12



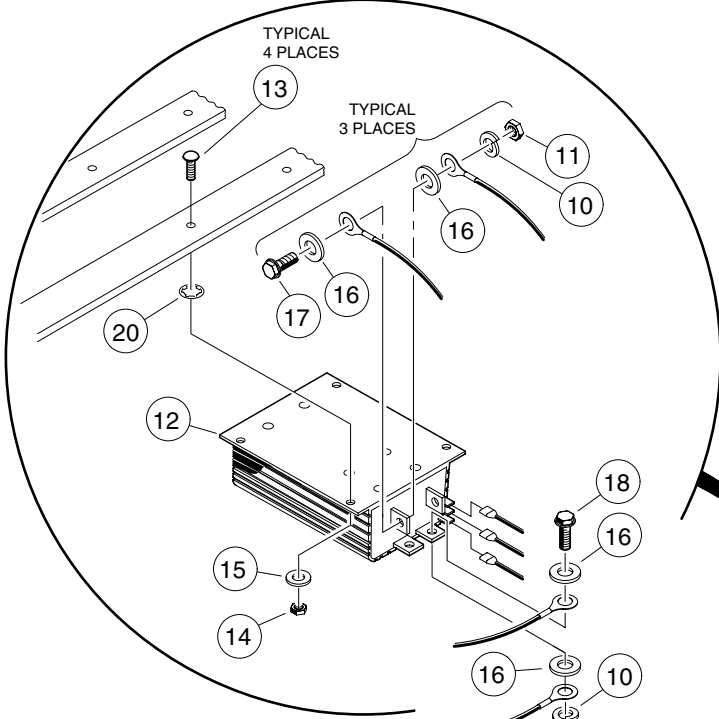
# CHARGER RECEPTACLE AND BATTERY MOUNTING - POWERDRIVE VEHICLE

ITEM	PART NO.	DESCRIPTION	QTY
		1 2 3 4	
1	1018021-01	KIT, FUSE AND RECEPTACLE (INCLUDES ITEMS 2 - 10) .....	1
2	1018468-01	ASSEMBLY, FUSE AND RECEPTACLE (INCLUDES ITEMS 3 - 9) .....	1
3	N/A	WIRE ASSEMBLY, #10 GREY .....	1
4	N/A	WIRE ASSEMBLY, #10 RED .....	1
5	N/A	WIRE ASSEMBLY, #10 BLACK .....	1
6	1017968-01	ASSEMBLY, FUSE, 48 VOLT (INCLUDES ITEMS 7 AND 8) .....	1
7	1018038	WASHER, NARROW TYPE 13, #10 .....	2
8	1018028	NUT, SERRATED, #10-32 .....	2
9	1017705	SCREW, PHILLIPS PAN HEAD, #8 TYPE AB .....	3
10	1017965-01	BEZEL, RECEPTACLE .....	1
11	1018010-01	PLATE, RECEPTACLE BACKING .....	1
12	1018320-01	SCREW, PHILLIPS PAN HEAD, #7-18 x 3/4 .....	4
13	1014304	NUT, STAINLESS STEEL HEX, 5/16-18 .....	18
14	1011578	WASHER, FLAT, 5/16 .....	6
15	1018030-01	HOLD-DOWN, BATTERY .....	3
16	1013683	BOLT, "J" .....	6
17	1017977-01	BATTERY, 8 VOLT POWERDRIVE .....	6
18	1017957	ASSEMBLY, WIRE, #6 BLACK .....	5
19	1017978-01	CAP, BATTERY, 4 PORT GANG .....	6

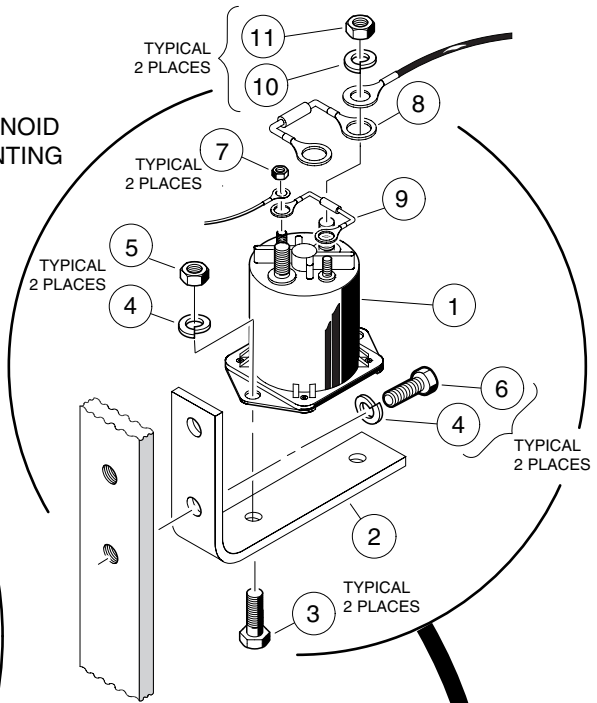
**E**

**12**

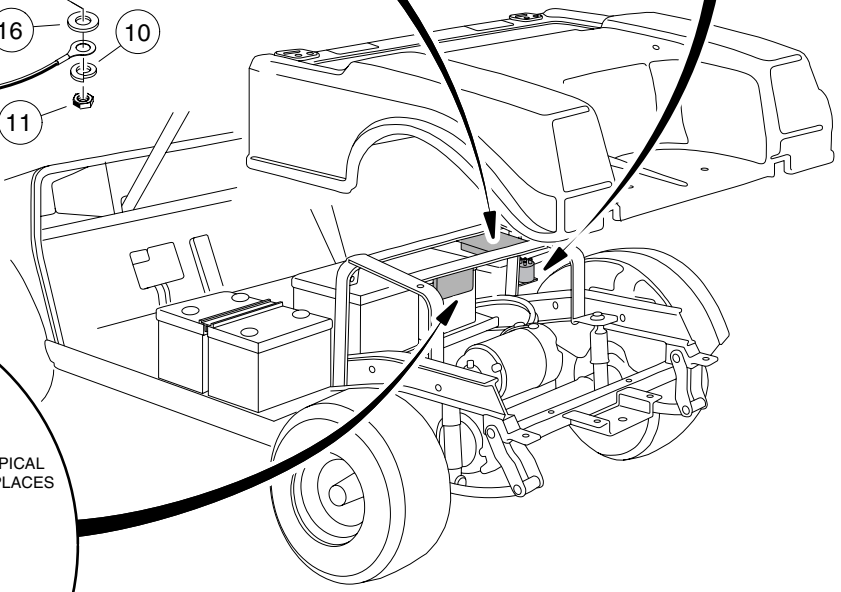
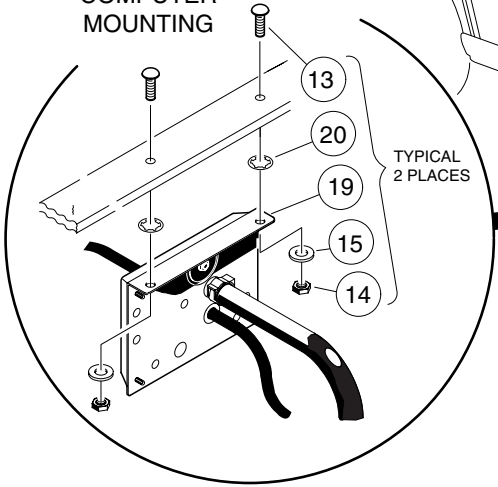
### CONTROLLER MOUNTING



### SOLENOID MOUNTING



### ON-BOARD COMPUTER MOUNTING



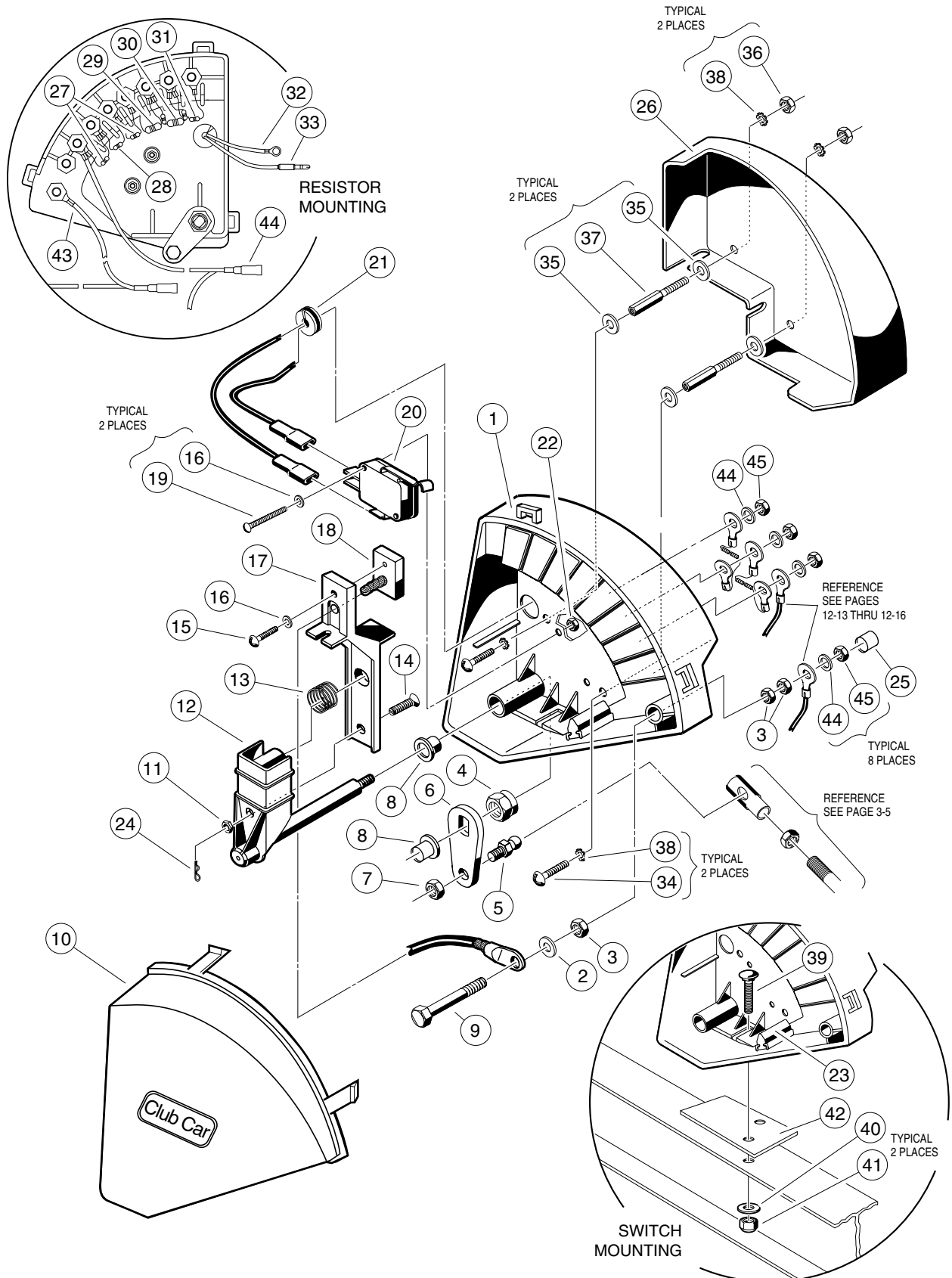


# ON-BOARD COMPUTER, CONTROLLER, AND SOLENOID MOUNTING - POWERDRIVE VEHICLE

ITEM	PART NO.	DESCRIPTION	QTY
		1 2 3 4	
1	1018070-01	SOLENOID, 48 VOLT .....	1
2	1015838	BRACKET, SOLENOID MOUNTING .....	1
3	0007847	BOLT, HEX HEAD, 1/4 - 20 x 3/4 .....	2
4	0000451	WASHER, LOCK, 1/4 .....	4
5	0001028	NUT, HEX, 1/4 - 20 .....	2
6	1012285	SCREW, HEX WASHER HEAD, 1/4 - 20 x 5/8 .....	2
7	0007893	NUT, HEX, #10 - 32 .....	2
8	1014947	ASSEMBLY, RESISTOR .....	1
9	1014948	ASSEMBLY, DIODE .....	1
10	0007174	WASHER, LOCK, 5/16 .....	6
11	0001242	NUT, HEX, 5/16 - 18 .....	6
12	1018008	CONTROLLER, 48 VOLT .....	1
13	1017203	BOLT, ROUND HEAD SQUARE NECK, 1/4 - 20 x 1 .....	6
14	0008233	NUT, NYLON LOCK, 1/4 - 20 .....	6
15	0000332	WASHER, FLAT, 1/4 .....	6
16	0001241	WASHER, FLAT, 5/16 .....	8
17	0007173	BOLT, HEX, 5/16 - 18 x 3/4 .....	3
18	0001218	BOLT, HEX, 5/16 - 18 x 1 1/4 .....	1
19	1018006-01	COMPUTER, ON-BOARD .....	1
20	1016631	NUT, PUSH, 3/16 .....	6

**F**

**12**

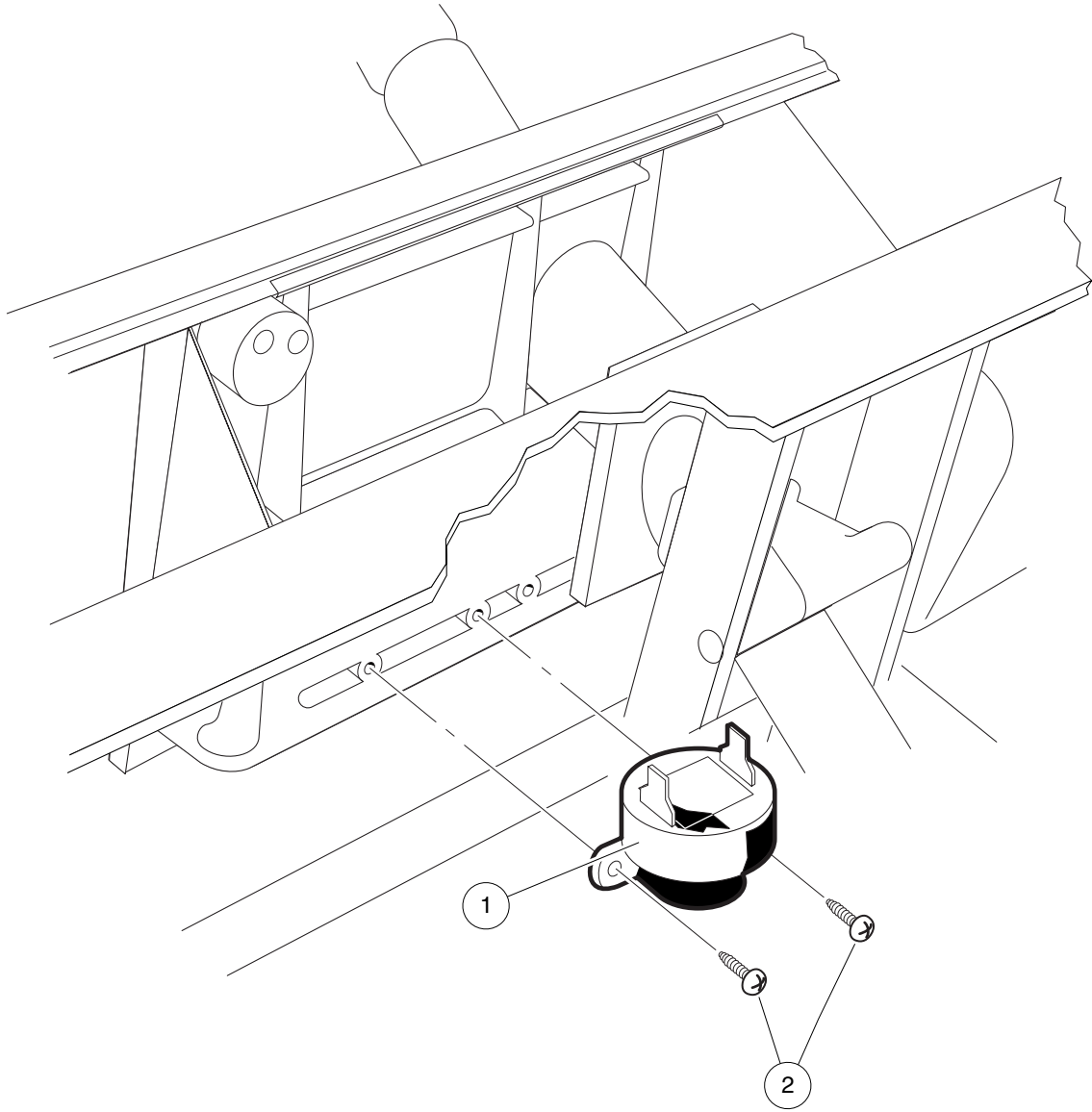


# MULTI-STEP POTENTIOMETER POWERDRIVE SYSTEM 48

ITEM	PART NO.	DESCRIPTION	QTY
		1 2 3 4	
	1016012	ASSEMBLY, WIPER SWITCH (INCLUDES ITEMS 1 - 38) .....	1
1	1014999	ASSEMBLY, WIPER SWITCH CASE, 6 SPEED .....	1
2	0000451	WASHER, LOCK, 1/4.....	1
3	1014253	NUT, BRASS HEX JAM, 1/4 - 20 .....	3
4	0007473	NUT, NYLON LOCK, 5/16 - 18 .....	1
5	1012353	STUD, SHORT BALL, 1/4 - 28.....	1
6	1014003	CRANK, BELL .....	1
7	0008449	NUT, DIMPLED LOCK, 1/4 - 28.....	1
8	1012903	BEARING, BRONZE .....	2
9	1014189	SCREW, HEX HEAD CAP, 1/4 - 20 x 2.....	1
10	1013886	COVER, WIPER SWITCH .....	1
11	0007893	NUT, HEX, #10 - 32 .....	1
12	1014017	CARRIER, WIPER SWITCH ARM .....	1
13	1013998	SPRING, WIPER SWITCH BRUSH .....	1
14	1014000	STUD, WIPER SWITCH ADJUSTING .....	1
15	1014019	SCREW, SELF-TAPPING, #4 - 40 x 3/8.....	1
16	0008058	WASHER, LOCK #4.....	3
17	1013887	ARM, SPEED SWITCH .....	1
18	1013860	ASSEMBLY, SWITCH BRUSH .....	1
19	0008056	SCREW, ROUND HEAD MACHINE, #4 - 40 x 3/4.....	2
20	1014807	SWITCH, LIMIT .....	1
21	1014010	GROMMET, SPLIT .....	1
22	0008057	NUT, HEX, #4 - 40 .....	2
23	1014414	BUMPER, WIPER SWITCH .....	1
24	1014413	PIN, HAIR SPRING COTTER.....	1
25	1017692	CAP, PROTECTOR .....	1
26	1016061	PROTECTOR, WIPER SWITCH RESISTOR .....	1
27	1018269-01	ASSEMBLY, RESISTOR, 300Ω.....	2
28	1018269-02	ASSEMBLY, RESISTOR, 390Ω.....	1
29	1016015	ASSEMBLY, RESISTOR, 750Ω.....	1
30	1018269-03	ASSEMBLY, RESISTOR, 1000Ω.....	1
31	1018269-04	ASSEMBLY, RESISTOR, 2200Ω.....	1
32	1014839	ASSEMBLY, WIRE, #18 GREEN/WHITE.....	1
33	1016142	ASSEMBLY, WIRE, #18 BLUE.....	1
34	1013266	SCREW, PHILLIPS TRUSS HEAD, #8 -18 x 1/2 .....	2
35	1013529	WASHER, FLAT, #8 .....	4
36	1011571	NUT, HEX, #8 - 32 .....	2
37	1016090	STAND-OFF, HEX MALE/FEMALE, #8 - 32 .....	2
38	1012076	WASHER, EXTERNAL TOOTH LOCK, #8 .....	4
39	1014109	BOLT, ROUND HEAD SQUARE NECK, #10 - 24 x 1 .....	2
40	1016175	WASHER, LOCK, #10.....	2
41	0001017	NUT, HEX, #10 - 24 .....	2
42	1014367	SHIM, WIPER SWITCH .....	1
43	1016018	ASSEMBLY, WIRE, #18 BLACK .....	1
44	1016019	ASSEMBLY, WIRE, #18 WHITE .....	1
45	0001014	NUT, BRASS HEX. 1/4 - 20.....	8
46	0000451	WASHER, LOCK, 1/4.....	8

**E**

**12**



# REVERSE BUZZER

ITEM	PART NO.	DESCRIPTION	QTY
		1 2 3 4	
	1016859	KIT, REVERSE BUZZER (INCLUDES ITEMS 1 AND 2).....	1
1	1016851	BUZZER, REVERSE (9-48 VOLT) .....	1
2	1016849	SCREW, PAN HEAD HILO, #4 - 24 x 5/16 .....	2

**F**

**12**

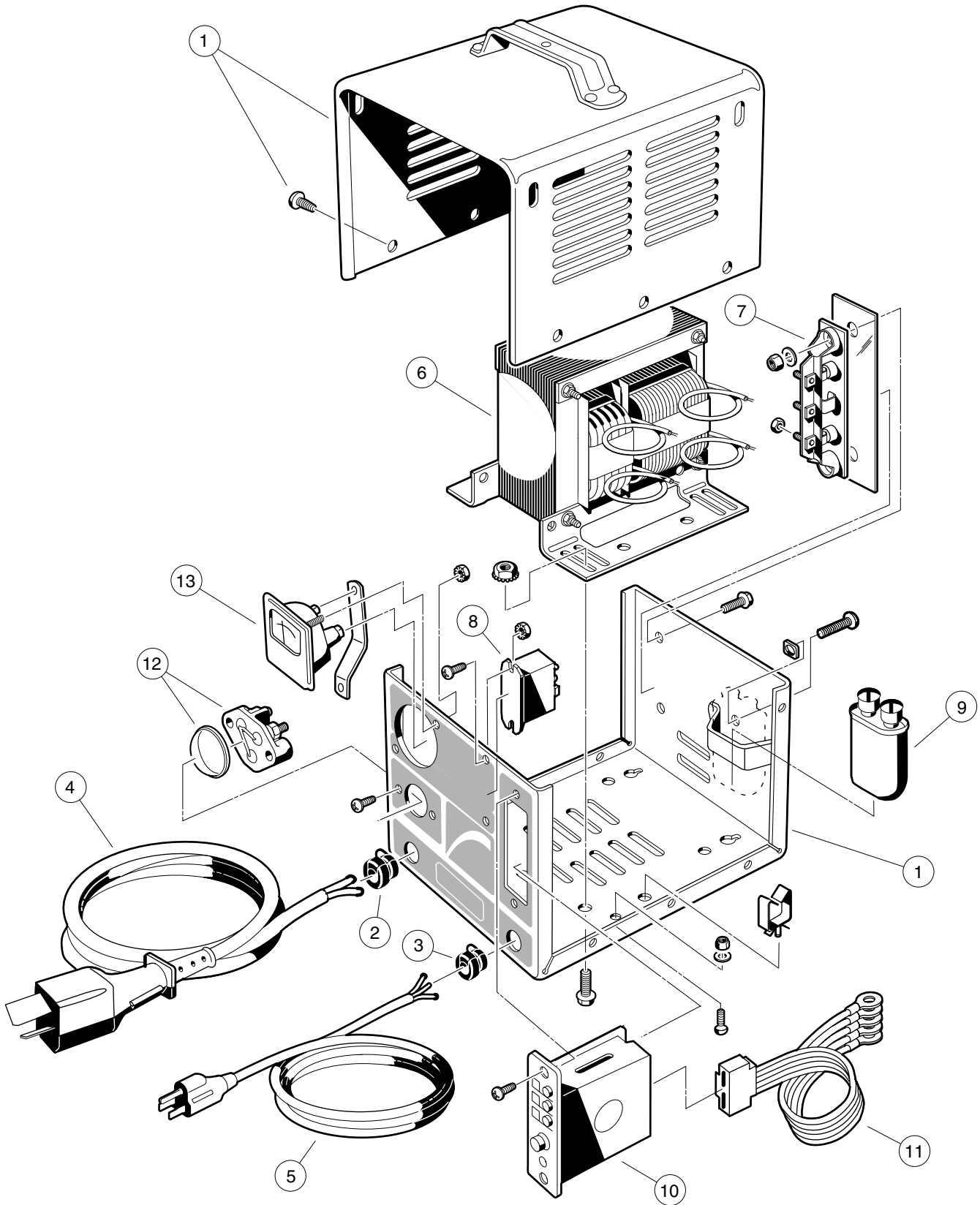


# ***BATTERY CHARGERS***

---

***F***

***13***



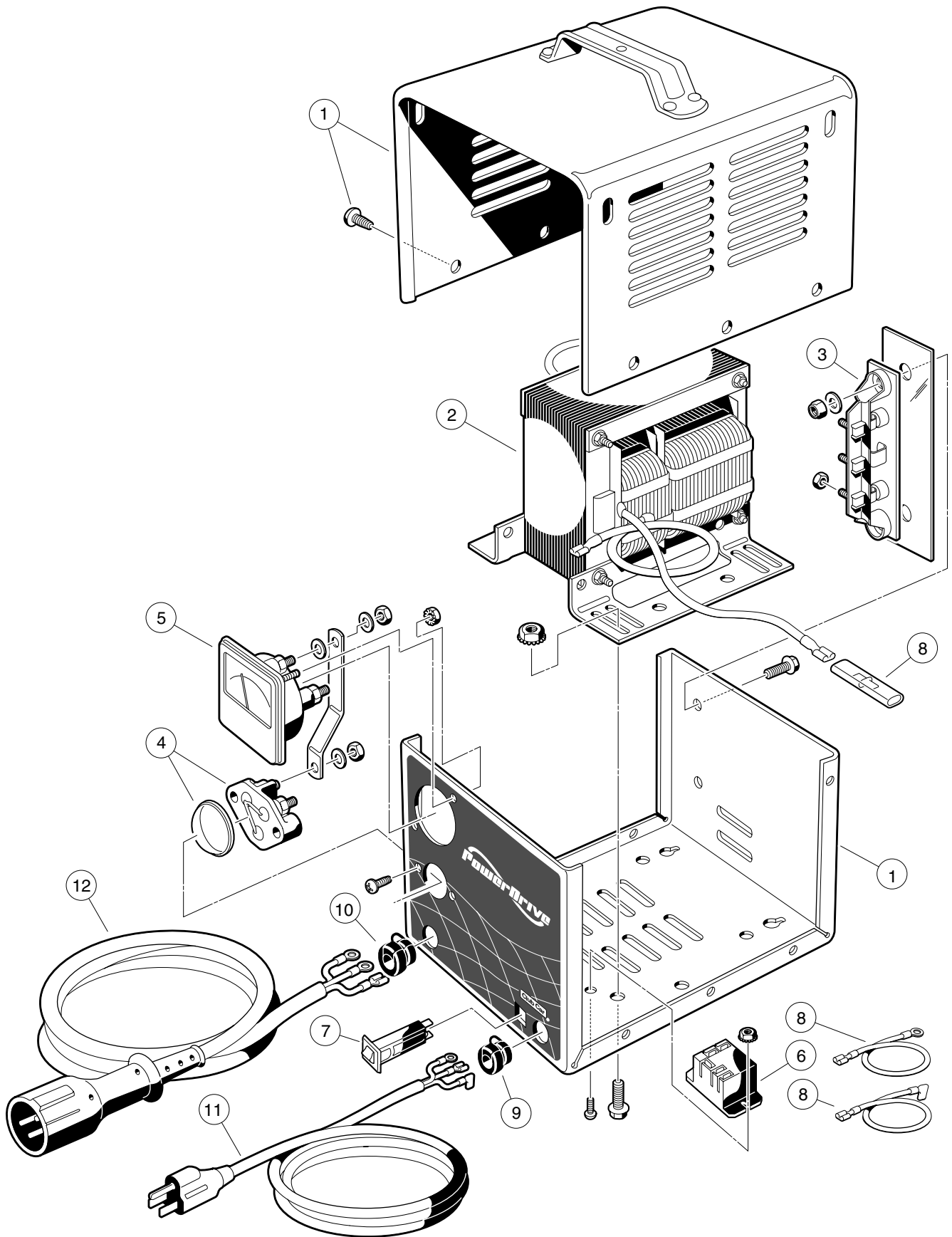


# 36 VOLT ACCU-POWER CHARGER

ITEM	PART NO.	DESCRIPTION	QTY
		1 2 3 4	
	1016464-01	CHARGER, ACCU-POWER, 120 VAC, 36 VDC, 60 HZ (INCLUDES ITEMS 1 - 13) 102 IN. DC CORD WITH MALE 2-PIN PLUG 72 IN. AC CORD WITH MALE 5-15 PIN PLUG .....	1
1	1015907	ASSEMBLY, CASE (INCLUDES FASTENERS) .....	1
2	1012098	BUSHING, STRAIN RELIEF, 12 AWG DC CORD .....	1
2	1012042	BUSHING, STRAIN RELIEF, 10 AWG DC CORD .....	1
3	1015917	BUSHING, STRAIN RELIEF, AC CORD .....	1
4	1016433-01	CORDSET, DC, 12/3 AWG x 110 INCHES LONG (STANDARD) .....	1
4	1016433-02	CORDSET, DC, 12/3 AWG x 146 INCHES LONG .....	1
4	1016433-03	CORDSET, DC, 10/3 AWG x 242 INCHES LONG .....	1
5	1015916-01	CORDSET, AC, 16/3 AWG x 80 INCHES LONG (STANDARD) .....	1
5	1015916-02	CORDSET, AC, 16/3 AWG x 110 INCHES LONG .....	1
6	1015912	ASSEMBLY, TRANSFORMER .....	1
7	1015914	ASSEMBLY, HEATSINK, WITH DIODES (INCLUDES MOUNTING HARDWARE) .....	1
8	1015911	36 VDC RELAY .....	1
9	1015910	CAPACITOR .....	1
10	1015906	ASSEMBLY, TIMER KIT (INCLUDES MOUNTING HARDWARE) .....	1
11	1015913	ASSEMBLY, CONTROL CABLE .....	1
12	1012101	ASSEMBLY, FUSE (INCLUDES MOUNTING HARDWARE) .....	1
13	1015905	AMMETER (INCLUDES MOUNTING HARDWARE) .....	1

E

13

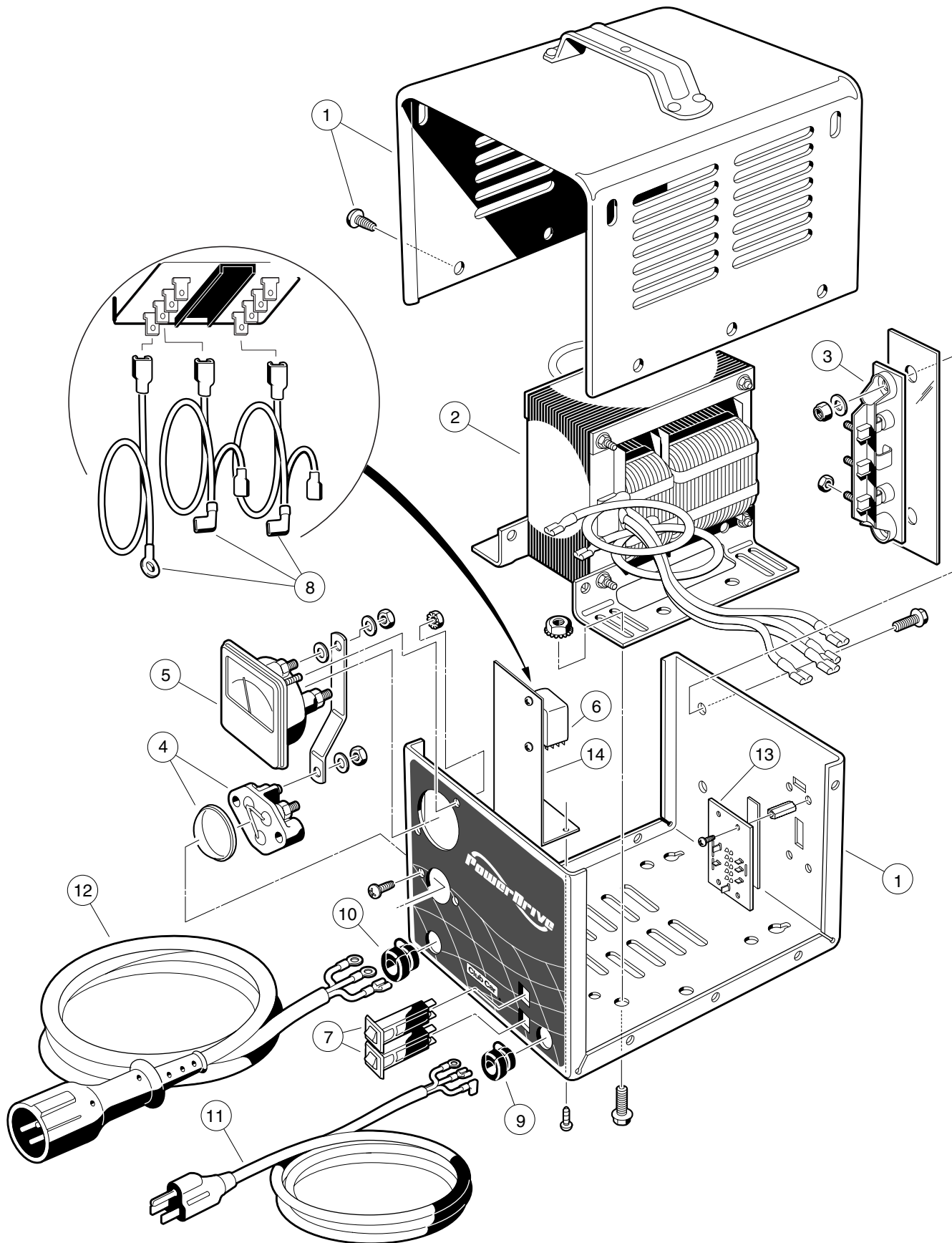


# POWERDRIVE CHARGER - DOMESTIC

ITEM	PART NO.	DESCRIPTION	QTY
		1 2 3 4	
	1018022-01	CHARGER, BATTERY, POWERDRIVE STATIONARY 120VAC 48VDC 50/60 HZ 104 IN. DC CORD WITH MALE 3-PIN PLUG 72 IN. AC CORD WITH MALE 5-15 PIN PLUG .....	1
	1018022-02	CHARGER, BATTERY, POWERDRIVE STATIONARY 120VAC 48VDC 50/60 HZ 144 IN. DC CORD WITH MALE 3-PIN PLUG 108 IN. AC CORD WITH MALE 5-15 PIN PLUG .....	1
	1018022-03	CHARGER, BATTERY, POWERDRIVE STATIONARY 120VAC 48VDC 50/60 HZ 240 IN. DC CORD WITH MALE 3-PIN PLUG 108 IN. AC CORD WITH MALE 5-15 PIN PLUG .....	1
1	1018283-01	ASSEMBLY, CASE (INCLUDES FASTENERS) .....	1
2	1018197	ASSEMBLY, TRANSFORMER .....	1
3	1015914	ASSEMBLY, HEATSINK, WITH DIODES (INCLUDES MOUNTING HARDWARE) .....	1
4	1012101	ASSEMBLY, FUSE (INCLUDES MOUNTING HARDWARE) .....	1
5	1018285-01	AMMETER (INCLUDES MOUNTING HARDWARE) .....	1
6	1018286-01	RELAY, POWER .....	1
7	1018287-01	BREAKER, CIRCUIT .....	1
8	1018311-01	KIT, WIRE ASSEMBLY .....	1
9	1015917	BUSHING, STRAIN RELIEF, AC CORD .....	1
10	1012098	BUSHING, STRAIN RELIEF, DC CORD .....	1
11	1018288-01	CORDSET, AC, 16/3 AWG x 80 INCHES LONG .....	1
11	1018288-02	CORDSET, AC, 14/3 AWG x 116 INCHES LONG .....	1
12	1018289-01	CORDSET, DC, 12/3 AWG x 113 INCHES LONG WITH MALE 3-PIN PLUG .....	1
12	1018289-02	CORDSET, DC, 12/3 AWG x 154 INCHES LONG WITH MALE 3-PIN PLUG .....	1
12	1018289-03	CORDSET, DC, 12/3 AWG x 250 INCHES LONG WITH MALE 3-PIN PLUG .....	1

**E**

**13**



# POWERDRIVE CHARGER - EXPORT

ITEM	PART NO.	DESCRIPTION	QTY
		1 2 3 4	
	1018315-01	CHARGER, BATTERY, POWERDRIVE STATIONARY WITH 4-POSITION SWITCH 100 - 200 - 220 - 240 VAC, 48 VDC 50/60 HZ 104 IN. DC CORD WITH MALE 3-PIN PLUG 72 IN. AC CORD WITH NO PLUG .....	1
1	1018381-01	ASSEMBLY, CASE (INCLUDES FASTENERS) .....	1
2	1018382-01	ASSEMBLY, TRANSFORMER .....	1
3	1015914	ASSEMBLY, HEATSINK, WITH DIODES (INCLUDES MOUNTING HARDWARE) .....	1
4	1012101	ASSEMBLY, FUSE (INCLUDES MOUNTING HARDWARE) .....	1
5	1018285-01	AMMETER (INCLUDES MOUNTING HARDWARE).....	1
6	1018383-01	RELAY, POWER (INCLUDES MOUNTING HARDWARE).....	1
7	1018384-01	BREAKER, CIRCUIT .....	2
8	1018385-01	KIT, WIRE ASSEMBLY .....	1
9	1015917	BUSHING, STRAIN RELIEF, AC CORD .....	1
10	1012098	BUSHING, STRAIN RELIEF, DC CORD .....	1
11	1018317-01	CORDSET, AC, 3 x 1.5MM 2 HAR x 80 INCHES LONG, WITH LEADS (NO PLUG) .....	1
12	1018289-01	CORDSET, DC, 12/3 AWG x 113 INCHES LONG WITH MALE 3-PIN PLUG .....	1
13	1018386-01	SWITCH, 4-POSITION, SLIDE .....	1
14	1018387-01	BRACKET, POWER RELAY MOUNTING .....	1

**E**

**13**

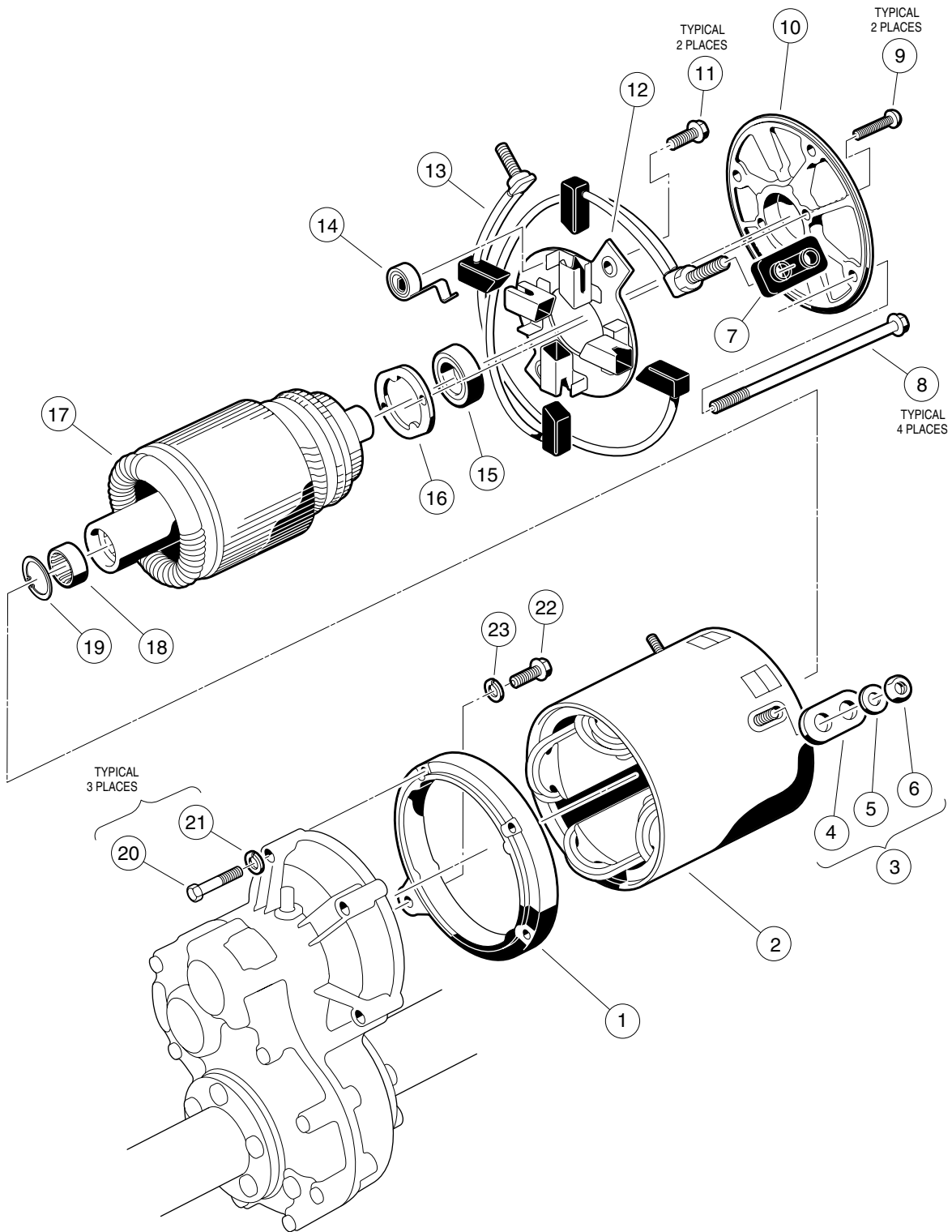


# ***ELECTRIC MOTORS***

---

***F***

***14***



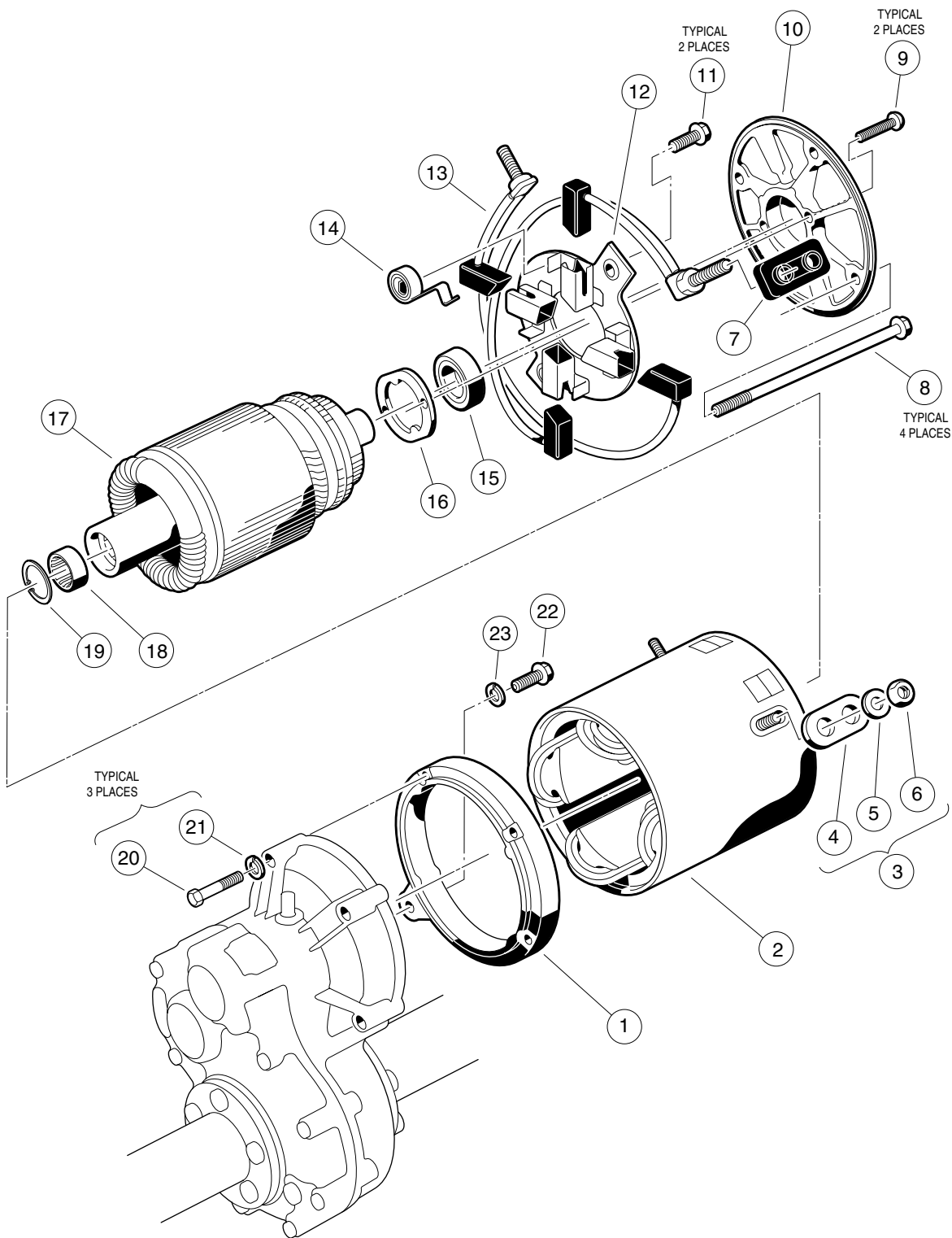


# MOTOR - 36 VOLT

ITEM	PART NO.	DESCRIPTION	QTY
		1 2 3 4	
	1018134-01	ASSEMBLY, 36 VOLT MOTOR, 2.97 HP .....	1
1	1017944	SHIELD, END .....	1
2	1017945	ASSEMBLY, STATOR SHELL AND WINDING.....	1
3	1017947	PACKAGE, HARDWARE (INCLUDES ITEMS 4 - 7).....	1
4	N/A	BUSHING, INSULATOR .....	2
5	N/A	WASHER, FLAT, 5/16.....	4
6	N/A	NUT, LOCK, 5/16 - 18 .....	4
7	N/A	BUSHING, INSULATOR .....	2
8	1017952	SCREW, CLAMP .....	4
9	1017953	SCREW, BEARING RETAINER.....	2
10	1017951	SHIELD, END .....	1
11	1017949	SCREW, BRUSH HOLDER .....	2
12	1017948	RIGGING, BRUSH .....	1
13	1017946	PACKAGE, BRUSH (2 PCS.) .....	2
14	1011411	PACKAGE, BRUSH SPRING (4 PCS.) .....	1
15	1011290	BEARING, BALL .....	1
16	1017950	RETAINER, BEARING .....	1
17	N/A	ARMATURE .....	1
18	1017891-01	RING, GUIDE .....	1
19	1018228-01	RING, INTERNAL RETAINING .....	1
20	1014201	BOLT, HEX HEAD, 1/4 - 20 x 2 1/4 .....	3
21	0000451	WASHER, LOCK, 1/4 .....	3
22	1010934	BOLT, HEX HEAD, 5/16 - 18 x 1 .....	1
23	0007174	WASHER, LOCK, 5/16 .....	1

**E**

**14**



# MOTOR - POWERDRIVE SYSTEM 48

ITEM	PART NO.	DESCRIPTION	QTY
		1 2 3 4	
	1018133-01	ASSEMBLY, 48 VOLT MOTOR, 3.10 HP.....	1
1	1017944	SHIELD, END.....	1
2	1017958	ASSEMBLY, STATOR SHELL AND WINDING.....	1
3	1017947	PACKAGE, HARDWARE (INCLUDES ITEMS 4 - 7).....	1
4	N/A	BUSHING, INSULATOR.....	2
5	N/A	WASHER, FLAT, 5/16.....	4
6	N/A	NUT, LOCK, 5/16 - 18.....	4
7	N/A	BUSHING, INSULATOR.....	2
8	1017961	SCREW, CLAMP.....	4
9	1017953	SCREW, BEARING RETAINER.....	2
10	1017951	SHIELD, END.....	1
11	1017949	SCREW, BRUSH HOLDER.....	2
12	1017948	RIGGING, BRUSH.....	1
13	1017946	PACKAGE, BRUSH (2 PCS.).....	2
14	1011411	PACKAGE, BRUSH SPRING (4 PCS.).....	1
15	1011290	BEARING, BALL.....	1
16	1017950	RETAINER, BEARING.....	1
17	N/A	ARMATURE.....	1
18	1017891-01	RING, GUIDE.....	1
19	1018228-01	RING, INTERNAL RETAINING.....	1
20	1014201	BOLT, HEX HEAD, 1/4 - 20 x 2 1/4.....	3
21	0000451	WASHER, LOCK, 1/4.....	3
22	1010934	BOLT, HEX HEAD, 5/16 - 18 x 1.....	1
23	0007174	WASHER, LOCK, 5/16.....	1

E

14

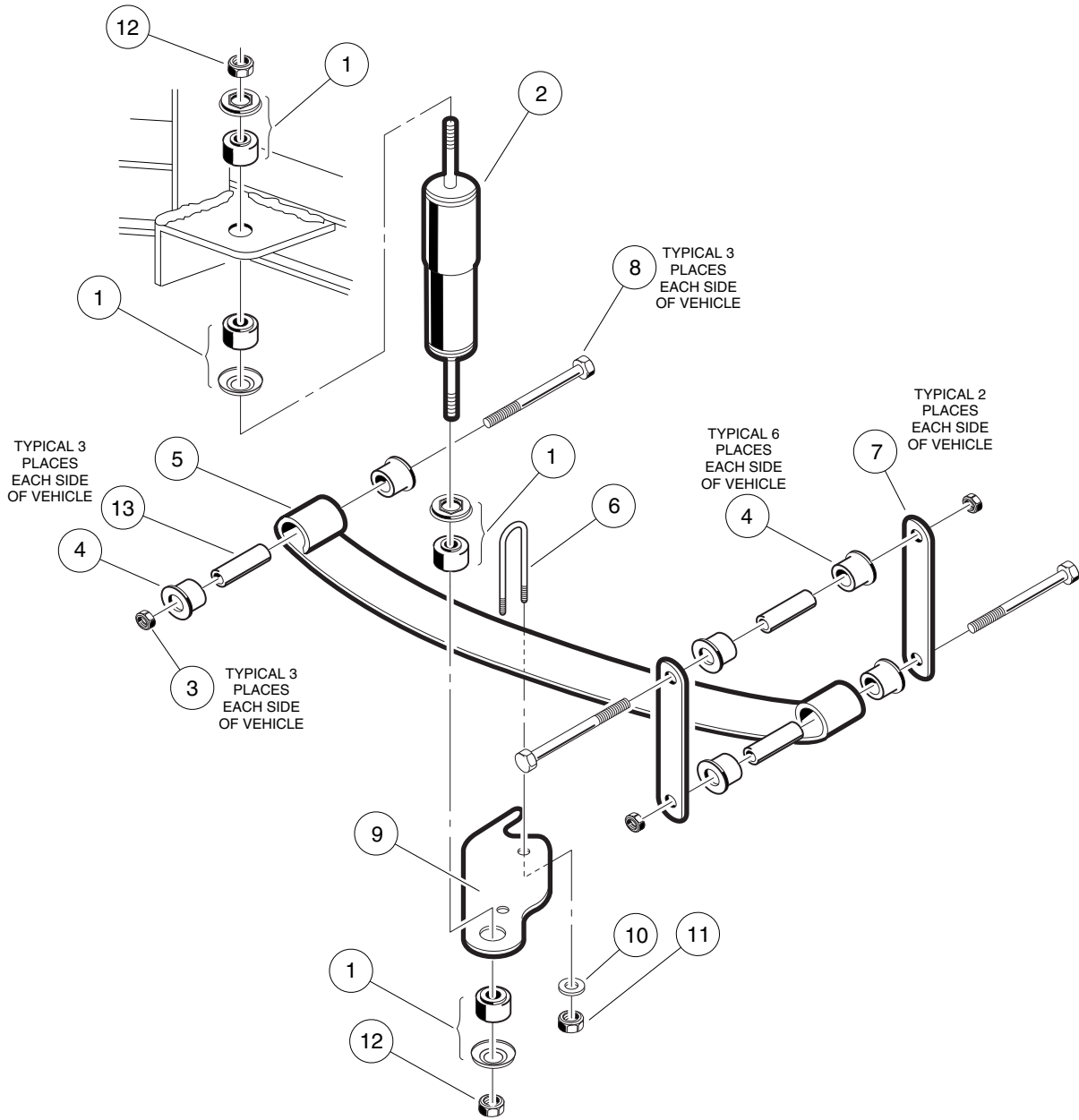


# ***REAR SUSPENSION ELECTRIC VEHICLE***

---

***F***

***15***



# REAR SUSPENSION - ELECTRIC VEHICLE

ITEM	PART NO.	DESCRIPTION	QTY
		1 2 3 4	
	1013164	KIT, SHOCK ABSORBER (INCLUDES ITEMS 1 & 2).....	1
1	1011415	KIT, SHOCK ABSORBER CUSHION .....	4
2	1014236	SHOCK ABSORBER, ELECTRIC REAR .....	2
3	0008754	NUT, NYLON LOCK, 3/8 - 16 .....	6
4	1015583	BUSHING, URETHANE .....	12
5	1010974	SPRING, REAR LEAF .....	2
6	1012180	"U" BOLT.....	2
7	0007569	SHACKLE, REAR SPRING .....	4
8	0008755	SCREW, HEX HEAD CAP, 3/8 - 16 x 3 3/8 .....	6
9	1012181	BRACKET, RIGHT HAND SHOCK MOUNT .....	1
9	1012182	BRACKET, LEFT HAND SHOCK MOUNT .....	1
10	1014557	WASHER, FLAT, 7/16.....	4
11	1014555	NUT, NYLON LOCK, 7/16 - 14 .....	4
12	1010145	NUT, HEX SHOCK ABSORBER, 3/8 - 24 .....	4
13	1012303	BUSHING, STEEL .....	6

**E**

**15**





# ***SAFETY DECALS***

---

**G**

**F**

**16**

PRACTICE GOLF ETIQUETTE

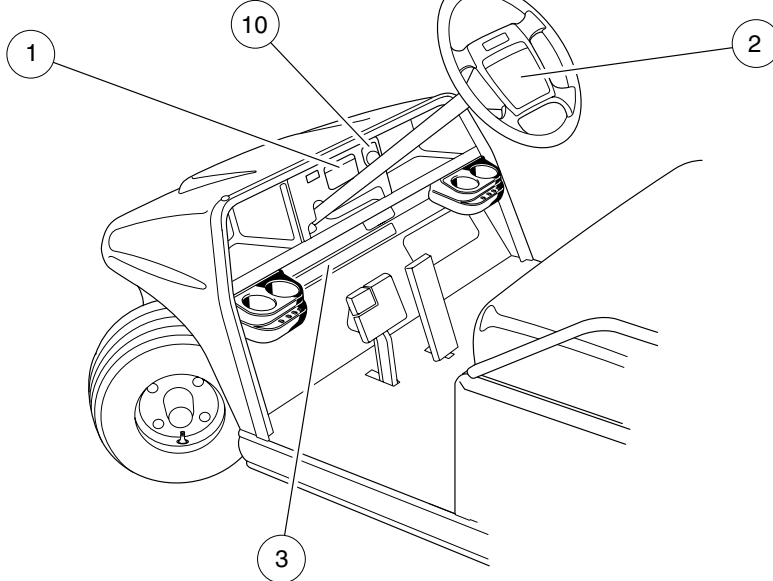
- Observe club rules.
- Drive on golf car paths when possible.
- Keep proper distance from greens.
- Replaces divots.
- Repair ball marks on greens.
- Rake sand traps.
- Allow faster players to play through.
- Help speed up play.
- Dispose of litter properly.

Club Car

OFF ON

OPERATING INSTRUCTIONS

- Head restraint is removed prior to operation.
- Study and understand controls. Be sure everyone is seated.
- Before driving, read safety warnings located above pedals.
- Make sure wheels are turned in desired direction.
- Turn key to "OFF" position and be sure nothing is in gear path.
- Select direction by placing shift lever in desired direction.
- Turn key to "ON" position and be sure nothing is in gear path.
- Select direction by placing shift lever in desired position:
  - Forward: N, Neutral; R, Reverse
- Vehicle will start moving when accelerator pedal is depressed.
- Slowly depress accelerator pedal to increase speed. Pedals will release when accelerator pedal is depressed.
- To stop, release accelerator pedal and depress brake pedal.
- After stopping, firmly depress park brake until it locks.
- Turn key to "OFF" position, remove key and place shift lever in the straight-up neutral position when not in use.



- WARNING**  
Failure to follow these instructions can cause severe injury or death.
- Read operating instructions before using vehicle.
- Never stand in front or behind vehicle.
- Vehicle should be driven only in specified areas by trained persons.
- Do not use on public roads.
- Only two persons per seat.
- Operate vehicle from driver's side only.
- Do not start vehicle until all people are seated.
- Remain seated and hold on in moving vehicle.
- Keep arms, legs, feet and body inside vehicle.
- Stop vehicle before changing direction.
- Buzzer will sound in reverse.
- Drive slowly in turns.
- Drive slowly straight up and down slopes.
- Set park brake before leaving vehicle.
- Remove key when vehicle is not in use.
- Place shift lever in neutral when vehicle is not in use.

ON BODY ADJACENT TO FUEL TANK

**WARNING**  
HOT manifold and muffler can cause severe burns.

**FLAME**  
**DANGER**

- Gasoline - extremely flammable.
- Keep heat, sparks and open flames away from fuel tank and fuel lines.
- Do not add fuel while engine is running or hot.
- Service by trained personnel.

ON ENGINE

**WARNING**  
HOT manifold and muffler can cause severe burns.

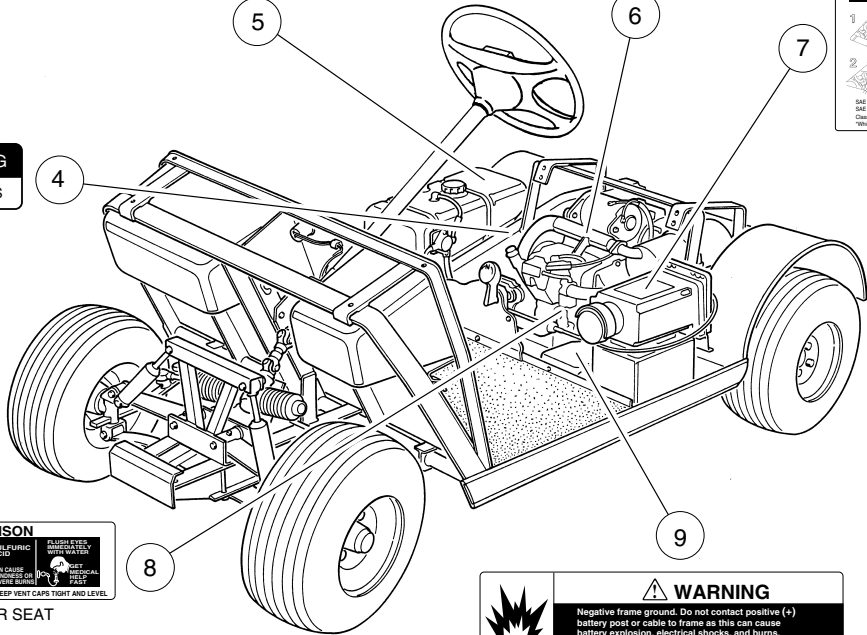
ON AIR INTAKE BOX

**ClubCar**  
Periodic Service Schedule  
Regular Interval

Checklist	Interval
1. Check Oil Level	Weekly
2. Check Tire Pressure	Weekly
3. Check Brake Pads	Every 100 Miles
4. Check Spark Plugs	Every 100 Miles
5. Check Water Level	Weekly
6. Check Battery	Every 100 Miles
7. Check Air Filter	Every 100 Miles
8. Check Drive Shaft	Every 100 Miles
9. Check Steering	Every 100 Miles
10. Check Suspension	Every 100 Miles

**WARNING**  
Operator is hereby advised that the ClubCar is not to be used for any purpose other than that for which it was designed. It is not to be used for any purpose other than that for which it was designed. It is not to be used for any purpose other than that for which it was designed.

**WARNING**  
MOVING PARTS



**DANGER / POISON**

NO SPARKS, FLAMES, OR OPEN FLAMES  
CAN CAUSE SEVERE BURNS

FLUSH EYES IMMEDIATELY WITH WATER

SEEK MEDICAL ATTENTION IMMEDIATELY

KEEP OUT OF THE REACH OF CHILDREN - DO NOT TIP - KEEP VENT CAPS TIGHT AND LEVEL

**WARNING**  
Negative frame ground. Do not contact positive (+) battery post or cable to frame as this can cause battery explosion, electrical shocks, and burns.

# SAFETY DECALS - GASOLINE VEHICLES

ITEM	PART NO.	DESCRIPTION	QTY
		1 2 3 4	
1	1013390	DECAL, GOLF ETIQUETTE .....	1
2	1016216	DECAL, OPERATING INSTRUCTIONS .....	1
3	1014883	DECAL, DASH WARNING .....	1
4	1015475	DECAL, MOVING PARTS WARNING .....	1
5	1015476	DECAL, GASOLINE DANGER .....	1
6	1017257	DECAL, HOT MANIFOLD WARNING .....	1
7	1016062	DECAL, PERIODIC SERVICE SCHEDULE .....	1
8	1013677	DECAL, BATTERY DANGER/POISON .....	1
9	1015474	DECAL, NEGATIVE FRAME GROUND WARNING .....	1
10	1018251-01	DECAL, KEY SWITCH .....	1



**PRACTICE GOLF ETIQUETTE**

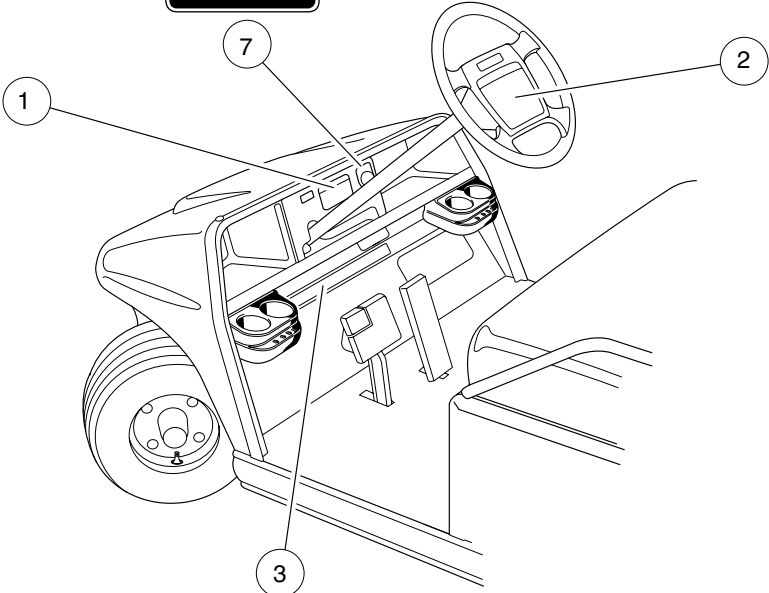
- Observe club rules.
- Drive on golf car paths when possible.
- Keep proper distance from greens.
- Replace divots.
- Repair ball marks on greens.
- Rake sand traps.
- Allow faster players to play through.
- Help speed up play.
- Dispose of litter properly.

**Club Car**

**OFF ON**

**OPERATING INSTRUCTIONS**

- Read owner's manual prior to operation.
- Body and underseat controls. Be sure everyone is seated.
- Before driving, read safety warnings located above pedals.
- Make sure wheels are turned in desired direction.
- Turn key to "OFF" position and be sure nothing is in your path.
- Select direction by placing shift lever in desired direction.
- Select direction by placing shift lever in desired position:
  - Forward (D, Neutral, R, Reverse)
- Vehicle will start moving when accelerator pedal is depressed.
- Slowly depress accelerator pedal to increase speed. Park brake will release when accelerator pedal is depressed.
- To stop, release accelerator pedal and depress brake pedal.
- After stopping, firmly depress park brake until it locks.
- Turn key to "OFF" position, remove key and place shift lever in the straight up neutral position when not in use.



<p><b>WARNING</b></p> <p>Failure to follow these instructions can cause severe injury or death.</p>	<ul style="list-style-type: none"> <li>• Read operating instructions before using vehicle.</li> <li>• Never stand in front or behind vehicle.</li> <li>• Vehicle should be driven only in specified areas by trained persons.</li> </ul>	<ul style="list-style-type: none"> <li>• Do not use on public roads.</li> <li>• Only two persons per seat.</li> <li>• Operate vehicle from driver's side only.</li> <li>• Do not start vehicle until all people are seated.</li> </ul>	<ul style="list-style-type: none"> <li>• Remain seated and hold on in moving vehicle.</li> <li>• Keep arms, legs, feet and body inside vehicle.</li> <li>• Stop vehicle before changing direction.</li> <li>• Buzzer will sound in reverse.</li> <li>• Drive slowly in turns.</li> </ul>	<ul style="list-style-type: none"> <li>• Drive slowly straight up and down slopes.</li> <li>• Set park brake before leaving vehicle.</li> <li>• Remove key when vehicle is not in use.</li> <li>• Place shift lever in neutral when vehicle is not in use.</li> </ul>
-----------------------------------------------------------------------------------------------------	------------------------------------------------------------------------------------------------------------------------------------------------------------------------------------------------------------------------------------------	----------------------------------------------------------------------------------------------------------------------------------------------------------------------------------------------------------------------------------------	------------------------------------------------------------------------------------------------------------------------------------------------------------------------------------------------------------------------------------------------------------------------------------------	-----------------------------------------------------------------------------------------------------------------------------------------------------------------------------------------------------------------------------------------------------------------------

**ON BODY UNDER SEAT**

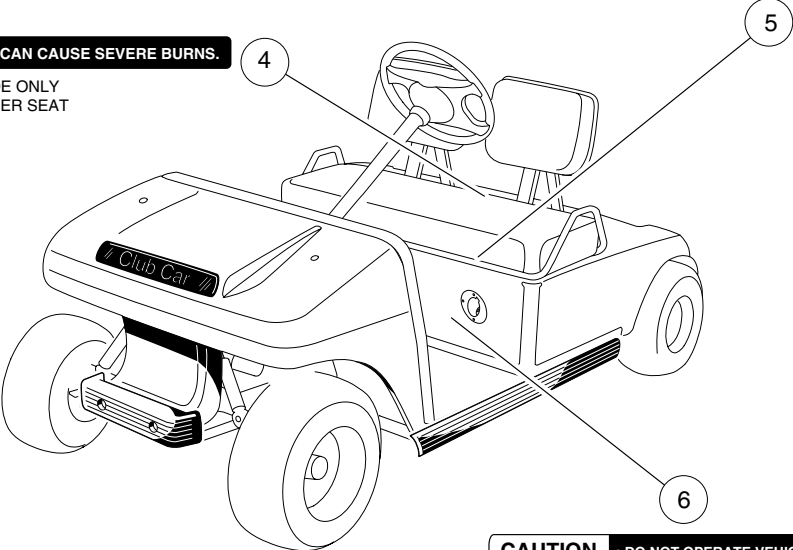
**⚠ DANGER / POISON**

<p>EXPLOSIVE GASES CAN CAUSE BLINDNESS OR INJURY</p> <p>SHIELD EYES</p>	<p>NO SPARKS, FLAMES OR SMOKING</p>	<p>SULFURIC ACID</p> <p>CAN CAUSE BLINDNESS OR SEVERE BURNS</p>	<p>FLUSH EYES IMMEDIATELY WITH WATER</p> <p>GET MEDICAL HELP FAST</p>
-------------------------------------------------------------------------	-------------------------------------	-----------------------------------------------------------------	-----------------------------------------------------------------------

KEEP OUT OF THE REACH OF CHILDREN - DO NOT TIP - KEEP VENT CAPS TIGHT AND LEVEL

**⚠ WARNING** **HOT RESISTORS CAN CAUSE SEVERE BURNS.**

36V V-GLIDE ONLY  
ON BODY UNDER SEAT



**CAUTION**

**DO NOT OPERATE VEHICLE WITHOUT COVER IN PLACE - DO NOT DIRECT WATER STREAM AT THIS SWITCH**

ON WIPER SWITCH COVER

# SAFETY DECALS - ELECTRIC VEHICLES

ITEM	PART NO.	DESCRIPTION	QTY
		1 2 3 4	
1	1013390	DECAL, GOLF ETIQUETTE .....	1
2	1016216	DECAL, OPERATING INSTRUCTIONS .....	1
3	1014883	DECAL, DASH WARNING .....	1
4	1013496	DECAL, HOT RESISTORS WARNING (36 VOLT V-GLIDE ONLY) .....	1
5	1013677	DECAL, BATTERY DANGER/POISON .....	1
6	1016109	DECAL, WIPER SWITCH CAUTION .....	1
7	1018251-01	DECAL, KEY SWITCH .....	1

**E**

**16**



# MAINTENANCE AND SERVICE TOOLS

DESCRIPTION	PART NUMBER
COMMUNICATION DISPLAY MODULE .....	1018318-01
BRAKE ADJUSTING TOOL .....	1013582
VOLT OHM METER .....	1011480
CONTINUITY TESTER .....	1011273
INTERNAL RETAINING RING PLIERS .....	1013593
RETAINING RING PLIERS - 45° EXTERNAL .....	1012549
RETAINING RING PLIERS - 90° INTERNAL .....	1012560
KEYSWITCH TOOL .....	1012801
SEAL PULLER .....	1012809
BEARING PULLER .....	1012811
BEARING PULLER WEDGE ATTACHMENT .....	1012812
TACHOMETER .....	1016112
DRIVE CLUTCH PULLER .....	1014496
CLUTCH ALIGNMENT TOOL .....	1014498
TOUCH-UP PAINT - BEIGE .....	1017097-01
TRANSMISSION TOOL KIT .....	1014115
TRANSAXLE PINION SEAL TOOL .....	1014161
TRANSAXLE AXLE SEAL TOOL .....	1014162
STEERING COLUMN BEARING PRESS TOOL .....	1014264
STEERING COLUMN RETAINING RING TOOL .....	1014259
BATTERY TERMINAL PROTECTOR .....	1014305
DRY MOLY LUBRICANT .....	1012151
HYDROMETER .....	1011478
BATTERY DISCHARGE MACHINE .....	1018319-01
BATTERY THERMOMETER .....	1011767
FLY WHEEL PULLER KIT .....	1016627
VALVE SEAT CUTTER HOLDER BAR .....	1016551
VALVE SEAT CUTTER HOLDER .....	1016552
VALVE SEAT CUTTER 45° (32MM DIAMETER) .....	1016553
VALVE SEAT CUTTER 45° (35MM DIAMETER) .....	1016554
VALVE SEAT CUTTER 32° (35MM DIAMETER) .....	1016555
CLUTCH TOOL KIT .....	1014510
TUNE-UP KIT .....	1016110-02
COMPRESSION GAUGE .....	1016410-01
ADAPTER .....	1016410-02
VALVE SPRING COMPRESSOR .....	1016411-01
ADAPTER .....	1016411-02
VALVE GUIDE REAMER .....	1016412-01
ARBOR .....	1016412-02
VALVE CLEARANCE ADJUSTER SCREW HOLDER .....	1016413
PISTON RING COMPRESSOR KIT .....	1016414
PISTON RING PLIERS .....	1016415
BEARING DRIVER SET .....	1016416
BEARING AND OIL SEAL REMOVER ASSEMBLY .....	1016417
GEAR YOKE .....	1016418
CAM INSTALLATION TOOL .....	1018084-01
GUIDE RING REMOVAL TOOL .....	1018256-01
GUIDE RING INSERTION TOOL .....	1018255-01
STARTER/GENERATOR BELT TENSION TOOL .....	1016867
ARMORFLEX REPAIR KIT .....	1017295
ADHESION PROMOTER - ARMORFLEX .....	1016985
GUIDE RING ADHESIVE, 3 GRAM TUBE .....	1018132-02
SAFETY FIRST CARD (50 PER PACK) .....	1018231-01











**CLUB CAR**  

---

**INGERSOLL-RAND**

**Golf Cars**  

---

Club Car Inc.  
P.O. Box 204658  
Augusta, GA 30917-4658