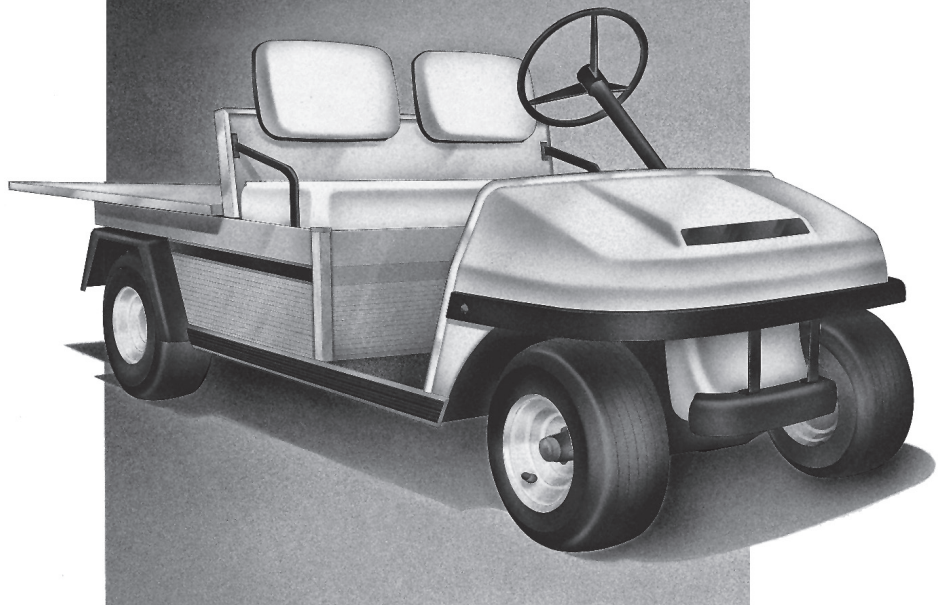


1996
ILLUSTRATED
PARTS LIST



**CARRYALL I, CARRYALL II,
CARRYALL II PLUS, AND
CARRYALL VI VEHICLES**

MANUAL NUMBER 1018862-02
PRINT CODE 0696D1008C

USING THE ILLUSTRATED PARTS LIST

WARNING

- THIS MANUAL IS TO BE USED ONLY FOR IDENTIFICATION AND ORDERING OF SERVICE PARTS. BE SURE TO READ AND USE THE MAINTENANCE AND SERVICE MANUAL BEFORE ATTEMPTING ANY VEHICLE REPAIRS.

This manual covers all 1996 Club Car Carryall vehicles.

The manual is divided into 17 sections. Sections 1 through 4 pertain to both gasoline and electric vehicles, sections 5 through 11 pertain to gasoline vehicles only, sections 12 through 15 pertain to electric vehicles only, and sections 16 and 17 pertain to both gasoline and electric vehicles. Note that there are two or three flags on the outside edge of each page. The first flag will contain the section number of which that page is a part. The other flag (or flags) will contain either the letter G or E, signifying that the page pertains to either the gasoline or electric vehicle only, or to both the gasoline and electric vehicles.

Use the Table of Contents to find the sections and pages that contain the parts and assemblies you seek. The Table of Contents lists section titles and numbers, and under them, the individual page titles and numbers to be found in that section. Unless a page title specifies a particular vehicle(s), the page applies to all DS vehicles.

You will also find vehicle models and serial numbers specified within the listings for individual page titles. These model and serial number specifications identify the vehicles on which parts usage as described on a particular page either began or ended. Have the serial number(s) of your vehicle(s) at hand and read the listings carefully when using the table of contents.

Typically, there is a two-page spread for each individual page title in the Table of Contents (however, some titles required several spreads). On the left-hand page is an illustration showing the parts in their relative positions; the parts are each tagged with an item number in a balloon. The right-hand page is the parts list page, and gives the page title at the top, then the item numbers (corresponding to the numbers on the illustration), part descriptions, and quantity of parts used. Some item numbers have more than one part number because several models and/or configurations of a component are represented together on one spread.

Note that a part description may be indented. This indentation corresponds to a parts assembly level indicated by the numbers 1, 2, 3, and 4 at the top left corner of the parts description area of the parts list page. A part that is indented to *level 2* is a component of the *level 1* part (assembly) that it is listed under. A *level 3* part is a component of the *level 2* part that it is listed under, and a *level 4* part is a component of the *level 3* part preceding it. In each case, the part quantity given for a level 2, 3, or 4 part is the quantity used per next higher level assembly of which it is a component. A part that is not indented is a *level 1* part. This means that the quantity given is the quantity used per the portion of the vehicle illustrated on that particular spread.



P. O. Box 204658
Augusta, Georgia 30917-4658 USA
Telephone 706-863-3000
Service Parts Fax 706-855-7413

© 1996, CLUB CAR INC.
All rights reserved.
This manual effective August 1, 1995
Manual print code: 0696C0404A

CONTENTS

BODY AND TRIM	SECTION	1
FRONT BODY	1-3	
SEATS AND SUPPORT STRUCTURE	1-5	
TILT BED AND LATCH - CARRYALL I	1-7	
TILT BED HINGE AND PROP ROD	1-9	
TILT BED AND LATCH - CARRYALL II AND II PLUS	1-11	
ACCESS DOOR AND SIDE DOORS - CARRYALL VI	1-13	
FLAT BED ASSEMBLY - CARRYALL VI	1-15	
FLAT BED TRIM - CARRYALL VI	1-17	
REAR COVER - CARRYALL I, II AND II PLUS	1-19	
REAR COVER - CARRYALL VI	1-21	
WHEELS AND TIRES	1-23	
TRANSAXLE	SECTION	2
TRANSAXLE	2-3	
BRAKES, PEDAL, AND CABLE ASSEMBLIES	SECTION	3
REAR BRAKE ASSEMBLY, SELF-ADJUSTING - CARRYALL I	3-3	
REAR BRAKE ASSEMBLY, MANUALLY ADJUSTED - CARRYALL II, II PLUS, AND VI	3-5	
BRAKE PEDAL AND CABLE ASSEMBLY - VEHICLES WITH 2-WHEEL BRAKING	3-7	
BRAKE PEDAL AND CABLE ASSEMBLY - VEHICLES WITH 4-WHEEL BRAKING	3-9	
FRONT BRAKE ASSEMBLY - VEHICLES WITH 4-WHEEL BRAKING	3-11	
ACCELERATOR PEDAL ASSEMBLY - GASOLINE VEHICLE	3-13	
ACCELERATOR PEDAL ASSEMBLY - ELECTRIC VEHICLE	3-15	
STEERING AND SUSPENSION	SECTION	4
STEERING COLUMN	4-3	
STEERING GEAR ASSEMBLY	4-5	
For Carryall I Vehicles and Carryall II Vehicles with 2-Wheel Braking, Prior to Serial Number 9640-533437. For Carryall II Vehicles with 4-Wheel Braking, Carryall II Plus and Carryall VI Vehicles, Prior to Serial Number 9633-517735.		
STEERING GEAR ASSEMBLY	4-7	
For Carryall I and Carryall II Vehicles with 2-Wheel Braking, Serial Number 9640-533437 and Later. For Carryall II Vehicles with 4-Wheel Braking, Carryall II Plus and Carryall VI Vehicles, Serial Number 9633-517735 and Later.		
FRONT SUSPENSION, UPPER - VEHICLES WITH 2-WHEEL BRAKING	4-9	
FRONT SUSPENSION, LOWER - VEHICLES WITH 2-WHEEL BRAKING	4-11	
FRONT SUSPENSION, UPPER - VEHICLES WITH 4-WHEEL BRAKING	4-13	
FRONT SUSPENSION, LOWER - VEHICLES WITH 4-WHEEL BRAKING	4-15	
ELECTRICAL SYSTEM - GASOLINE VEHICLE	SECTION	5
FORWARD AND REVERSE SHIFTER ASSEMBLY - GASOLINE VEHICLE	5-3	
WIRING, GASOLINE VEHICLE - CARRYALL I	5-5	
WIRING, GASOLINE VEHICLE - CARRYALL II	5-7	
ELECTRICAL COMPONENT BOX, GASOLINE VEHICLE - CARRYALL I AND II	5-9	
ELECTRICAL COMPONENTS, GASOLINE VEHICLE - CARRYALL I, II AND II PLUS	5-11	
WIRING, GASOLINE VEHICLE - CARRYALL II PLUS	5-13	
WIRING, GASOLINE VEHICLE - CARRYALL VI	5-15	
ELECTRICAL COMPONENT BOX, GASOLINE VEHICLE - CARRYALL II PLUS AND VI	5-17	
ELECTRICAL COMPONENTS, FRONT BODY, GASOLINE - CARRYALL VI	5-19	

CONTENTS

ELECTRICAL SYSTEM - GASOLINE VEHICLE, CONTINUED	
CONTROLS AND GAUGES, GASOLINE VEHICLE - CARRYALL VI	5-21
ELECTRICAL COMPONENTS, REAR BODY, GASOLINE VEHICLE - CARRYALL VI	5-23
STARTER/GENERATOR ASSEMBLY (For Vehicles Prior to Serial Number 9625-505061)	5-25
STARTER/GENERATOR ASSEMBLY (For Vehicles Serial Number 9625-505061 and Later)	5-27
STARTER/GENERATOR MOUNTING	5-29
BATTERY MOUNTING - GASOLINE VEHICLE	5-31
ENGINE	SECTION 6
FE 290 ENGINE - CARRYALL I AND II	6-3 - 6-13
FE 350 ENGINE - CARRYALL II PLUS AND VI	6-14 - 6-25
FUEL, INTAKE, AND GOVERNOR SYSTEMS	SECTION 7
FUEL SYSTEM	7-3
CARBURETOR ASSEMBLY, FE 290 - CARRYALL I AND II	7-5
CARBURETOR ASSEMBLY, FE 350 - CARRYALL II PLUS AND VI	7-7
CARBURETOR INSTALLATION	7-9
GOVERNOR AND ACCELERATOR CABLES	7-11
EXPANSION CHAMBER, CHOKE, AND FILTER - CARRYALL I, II AND II PLUS	7-13
EXPANSION CHAMBER, CHOKE, AND FILTER - CARRYALL VI	7-15
EXHAUST SYSTEM	SECTION 8
EXHAUST SYSTEM, FE 290 - CARRYALL I AND II	8-3
EXHAUST SYSTEM, FE 350 - CARRYALL II PLUS AND VI	8-5
TORQUE CONVERTER	SECTION 9
DRIVE CLUTCH	9-3
DRIVEN CLUTCH	9-5
TRANSMISSION	SECTION 10
TRANSMISSION	10-3 - 10-5
REAR SUSPENSION - GASOLINE VEHICLE	SECTION 11
REAR SUSPENSION - GASOLINE VEHICLE	11-3
STABILIZER BAR - CARRYALL II, II PLUS AND VI	11-5
INNER FRAME - GASOLINE VEHICLE	11-7
ELECTRICAL SYSTEM - ELECTRIC VEHICLE	SECTION 12
FORWARD AND REVERSE SWITCH - POWERDRIVE® VEHICLE	12-3
ON-BOARD COMPUTER - CARRYALL I POWERDRIVE® VEHICLE	12-5
ON-BOARD COMPUTER - CARRYALL VI POWERDRIVE® VEHICLE	12-7
CONTINUOUSLY VARIABLE POTENTIOMETER - POWERDRIVE® VEHICLE	12-9
WIRING - CARRYALL I POWERDRIVE® VEHICLE	12-11
ELECTRICAL COMPONENTS, FRONT BODY - CARRYALL I POWERDRIVE® VEHICLE	12-13
ELECTRICAL COMPONENTS, REAR BODY - CARRYALL I POWERDRIVE® VEHICLE	12-15 - 12-17
WIRING - CARRYALL VI POWERDRIVE® VEHICLE	12-19
ELECTRICAL COMPONENTS, FRONT BODY - CARRYALL VI POWERDRIVE® VEHICLE	12-21
CONTROLS AND GAUGES - CARRYALL VI POWERDRIVE® VEHICLE	12-23
ELECTRICAL COMPONENTS, CENTER BODY - CARRYALL VI POWERDRIVE® VEHICLE	12-25 - 12-27

CONTENTS

ELECTRICAL COMPONENTS, REAR BODY - CARRYALL VI POWERDRIVE® VEHICLE 12-29

BATTERY CHARGER **SECTION 13**

POWERDRIVE® CHARGER, DOMESTIC - CARRYALL I 13-3

POWERDRIVE® CHARGER, EXPORT - CARRYALL I 13-5

ON-BOARD POWERDRIVE® CHARGER, DOMESTIC - CARRYALL VI 13-7

ON-BOARD POWERDRIVE® CHARGER, EXPORT - CARRYALL VI 13-9

ELECTRIC MOTOR **SECTION 14**

MOTOR - POWERDRIVE® VEHICLE 14-3

REAR SUSPENSION - ELECTRIC VEHICLE **SECTION 15**

REAR SUSPENSION - ELECTRIC VEHICLE 15-3

SAFETY DECALS **SECTION 16**

SAFETY DECALS - CARRYALL I, II AND II PLUS 16-3 - 16-5

SAFETY DECALS - CARRYALL VI 16-7 - 16-11

MAINTENANCE AND SERVICE TOOLS **SECTION 17**

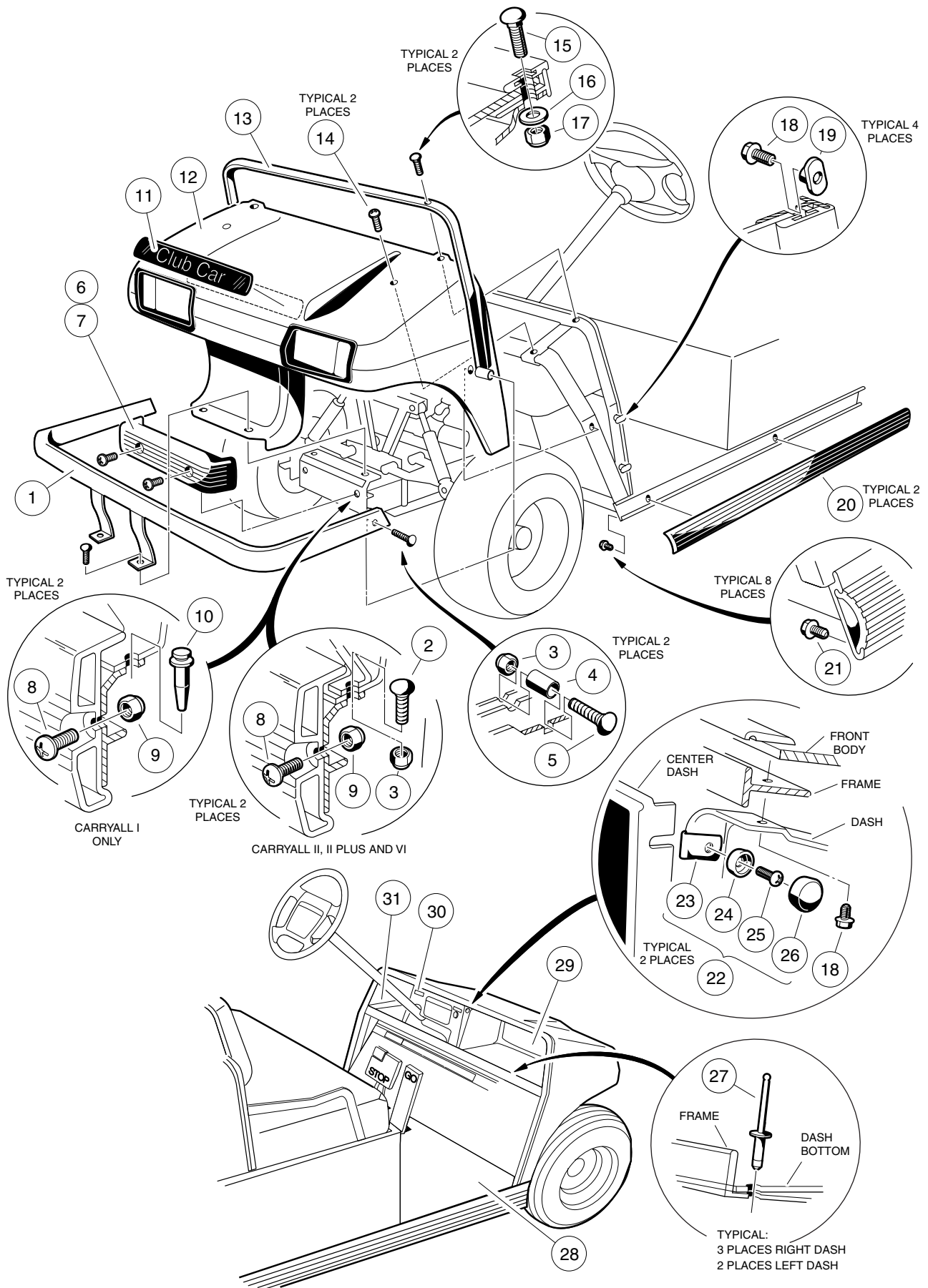
THE LAST SECTION OF THIS MANUAL CONTAINS A LIST OF MAINTENANCE AND SERVICE TOOLS AVAILABLE FROM CLUB CAR.

BODY AND TRIM

1

G

E



FRONT BODY

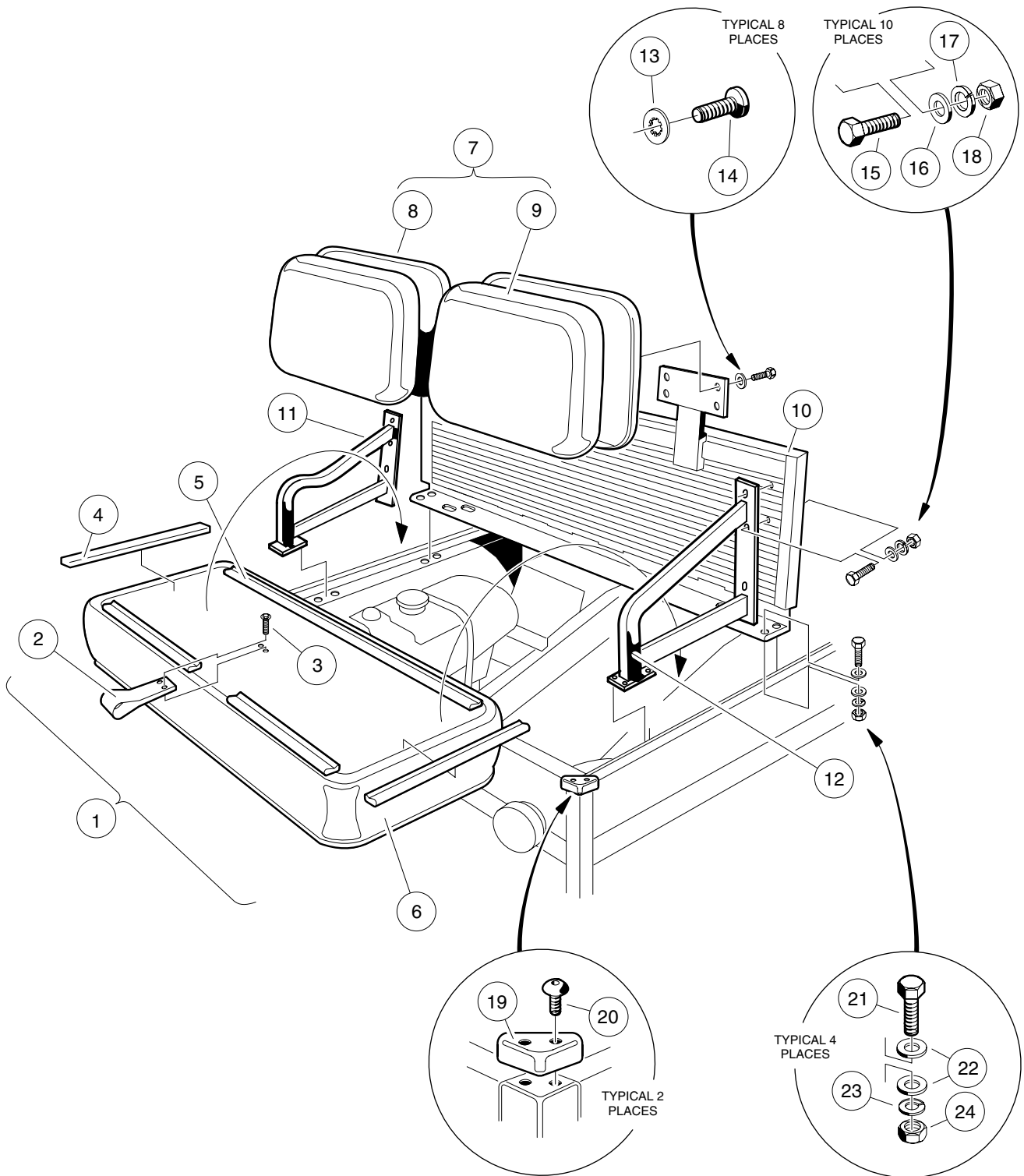
1

G

E

ITEM	PART NO.	DESCRIPTION	QTY GAS	QTY ELEC
		1 2 3 4		
1	1017348-02	KIT, HEAVY DUTY BUMPER (INCLUDES ITEMS 2 - 5) (CARRYALL II, II PLUS AND VI).....	1	1
2	1010435	BOLT, CARRIAGE, 5/16 - 18 x 1	2	2
3	0007473	NUT, NYLON LOCK, 5/16 - 18	4	4
4	1010546	SPACER	2	2
5	1015405	BOLT, CARRIAGE, 5/16 - 18 x 2	2	2
6	1017080	KIT, FRONT BUMPER (INCLUDES ITEMS 7 - 10)	1	1
7	1016868	BUMPER, FRONT	1	1
8	0007251	SCREW, PHILLIPS TRUSS HEAD, 5/16 - 18 x 1	2	2
9	0007473	NUT, NYLON LOCK, 5/16 - 18	2	2
10	1016967	RIVET, BLIND PUSH TYPE	2	2
11	1016702	NAMEPLATE - SILVER	1	1
12	1016925-04	BODY, FRONT - GRAY	1	1
12	1016939-04	BODY, FRONT WITH HEADLIGHT OPENING - GRAY (CARRYALL VI ONLY)...	1	1
13	1011014	TRIM, FRONT BODY	1	1
14	0007251	SCREW, PHILLIPS TRUSS HEAD, 5/16 - 18 x 1	2	2
15	1010435	BOLT, CARRIAGE, 5/16 - 18 x 1	2	2
16	0001241	WASHER, FLAT, 5/16	2	2
17	0007473	NUT, NYLON LOCK, 5/16 - 18	2	2
18	1011017	SCREW, FLANGE LOCK	6	6
19	1011394	NUT, SLAB BASE "T" (PACKAGE OF 4)	1	1
20	1013983	TRIM, SIDE BUMPER GUARD (CARRYALL I ONLY)	2	2
20	1013985	TRIM, SIDE BUMPER GUARD (CARRYALL II AND II PLUS)	2	2
20	1016711	TRIM, SIDE BUMPER GUARD (CARRYALL VI ONLY)	2	2
21	1012047	SCREW, SELF-TAPPING, #8 - 32 x 3/8	8	8
22	1014645	KIT, SNAP WASHER, BLACK (INCLUDES ITEMS 23 - 26)	1	1
23	N/A	NUT, SPEED, #10 - 32	1	1
24	N/A	WASHER, CUP, #10	1	1
25	N/A	SCREW, SHEET METAL, #10 x 3/4	1	1
26	N/A	COVER, SCREW HEAD	1	1
27	0007973	RIVET, ALUMINUM POP, 3/16	5	5
28	1015032	MAT, FLOOR, FRONT	1	1
29	1013343	COMPONENT, RIGHT DASH - BLACK	1	1
30	1016604-04	PANEL, CENTER DASH - BLACK	1	1
31	1013344	COMPONENT, LEFT DASH - BLACK	1	1

1
G
E



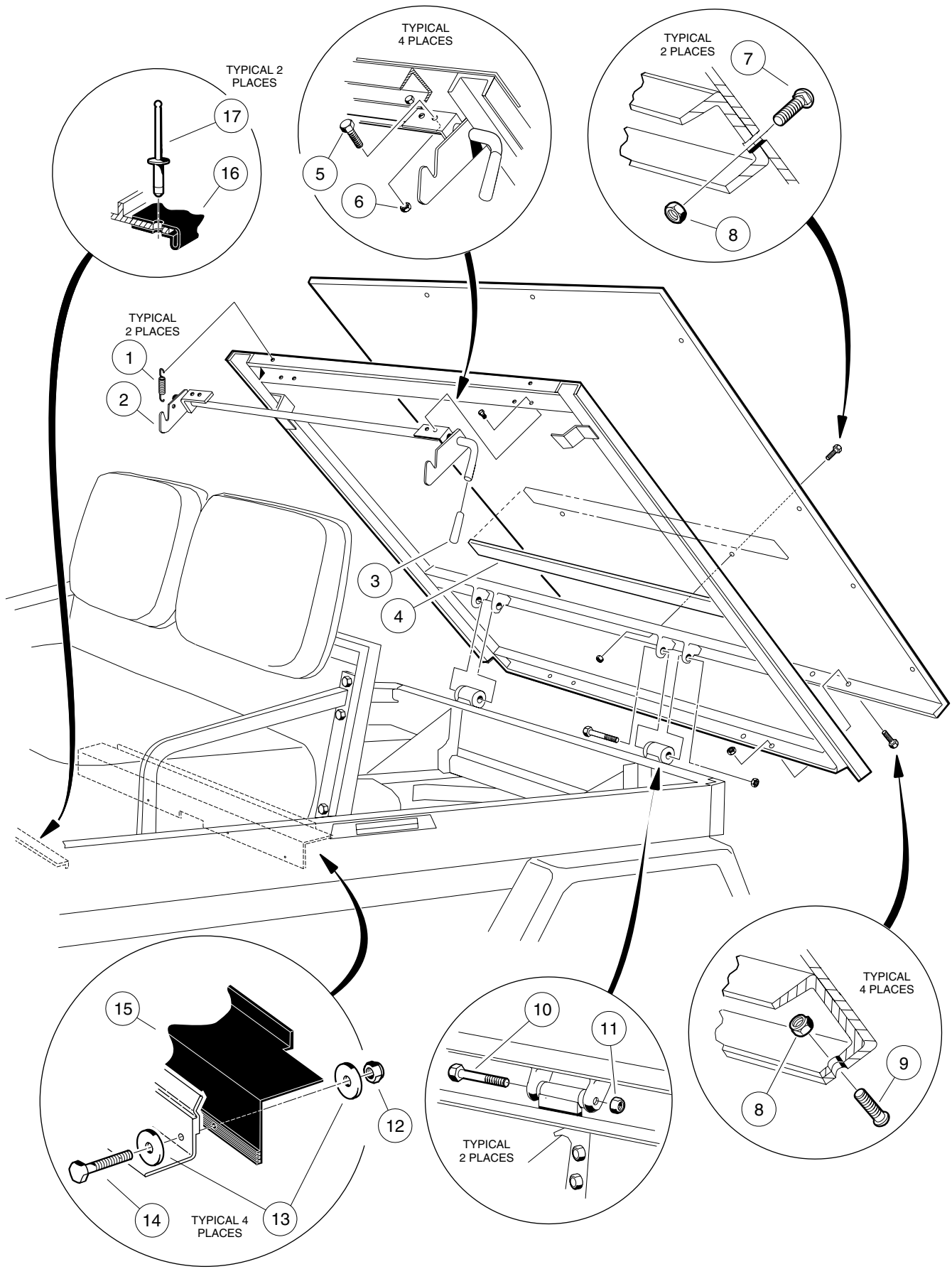
SEATS AND SUPPORT STRUCTURE

1

G

E

ITEM	PART NO.	DESCRIPTION	QTY GAS	QTY ELEC
		1 2 3 4		
1	1015645-02	ASSEMBLY, SEAT BOTTOM - WHITE (INCLUDES ITEMS 2 - 6)	1	1
1	1015645-03	ASSEMBLY, SEAT BOTTOM - BLACK (INCLUDES ITEMS 2 - 6)	1	1
1	1015645-05	ASSEMBLY, SEAT BOTTOM - GRAY (INCLUDES ITEMS 2 - 6)	1	1
2	1013309	STRAP, SEAT BOTTOM	1	1
3	1010545	SCREW, HEX HEAD WASHER, 1/4 - 14 x 3/4	2	2
4	1013311	BUMPER, SEAT, SHORT	4	4
5	1013312	BUMPER, SEAT, LONG	1	1
6	1015627-02	COVER, VINYL SEAT BOTTOM - WHITE	1	1
6	1015627-04	COVER, VINYL SEAT BOTTOM - BLACK	1	1
6	1015627-10	COVER, VINYL SEAT BOTTOM - GRAY	1	1
7	1015652-02	ASSEMBLY, SEAT BACK - WHITE (INCLUDES ITEMS 8 AND 9)	1	1
7	1015652-05	ASSEMBLY, SEAT BACK - BLACK (INCLUDES ITEMS 8 AND 9)	1	1
7	1015652-06	ASSEMBLY, SEAT BACK - GRAY (INCLUDES ITEMS 8 AND 9)	1	1
8	1013335	CAP, SEAT BACK - BLACK	1	1
9	1015626-02	COVER, VINYL SEAT BACK - WHITE	1	1
9	1015626-04	COVER, VINYL SEAT BACK - BLACK	1	1
9	1015626-05	COVER, VINYL SEAT BACK - GRAY	1	1
10	1015239	PANEL, SEAT SUPPORT	1	1
11	1018885-01	ASSEMBLY, ARM REST, PASSENGER	1	1
12	1018885-02	ASSEMBLY, ARM REST, DRIVER	1	1
13	0008304	WASHER, INTERNAL TOOTH LOCK, 1/4	8	8
14	0008248	SCREW, PHILLIPS TRUSS HEAD, 1/4 - 20 x 3/4	8	8
15	0000304	SCREW, HEX HEAD CAP, 1/4 - 20 x 1	8	8
16	0000332	WASHER, FLAT, 1/4	8	8
17	0000451	WASHER, LOCK, 1/4	8	8
18	0001028	NUT, HEX, 1/4 - 20	8	8
19	1014387	CAP, CORNER	2	2
20	1014321	SCREW, TRUSS TORX HEAD, 1/4 - 14 x 3/4	4	4
21	1010934	SCREW, HEX HEAD CAP, 5/16 - 18 x 1	4	4
22	0001241	WASHER, FLAT, 5/16	8	8
23	0007174	WASHER, LOCK, 5/16	4	4
24	0001242	NUT, HEX, 5/16 - 18	4	4



TILT BED AND LATCH - CARRYALL I

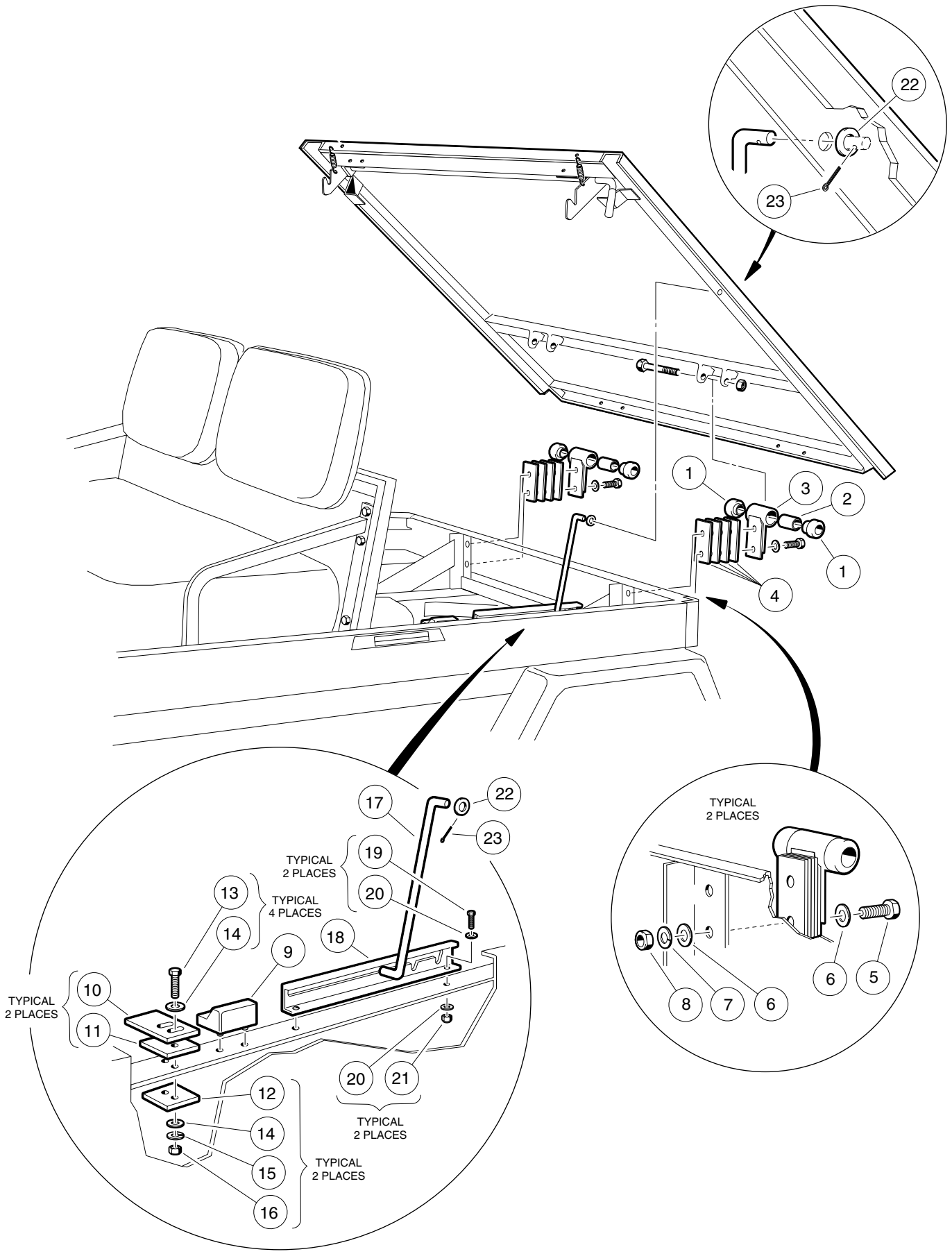
1

G

E

ITEM	PART NO.	DESCRIPTION	QTY GAS	QTY ELEC
		1 2 3 4		
	1015427	ASSEMBLY, TILT BED AND LATCH, CARRYALL I (INCLUDES ITEMS 1 - 9)	1	1
1	1015391	SPRING, LATCH EXTENSION	2	2
2	1015252	ASSEMBLY, LATCH WELD	1	1
3	1015400	HAND GRIP, TILT LATCH	1	1
4	1014471	INSULATION, BULK, (42 LONG)	A/R	A/R
5	0000403	SCREW, HEX HEAD CAP, 1/4 - 20 x 5/8	4	4
6	0001108	NUT, DIMPLED LOCK, 1/4 - 20	4	4
7	1010435	BOLT, CARRIAGE, 5/16 - 18 x 1	2	2
8	0007473	NUT, NYLON LOCK, 5/16 - 18	6	6
9	1015399	SCREW, TORX TRUSS HEAD, 5/16 - 18 x 3/4	4	4
10	0008755	SCREW, HEX HEAD CAP, 3/8 - 16 x 3 3/8	2	2
11	0008754	NUT, NYLON LOCK, 3/8 - 16	2	2
12	0008233	NUT, NYLON LOCK, 1/4 - 20	4	4
13	1014306	WASHER, FLAT, TYPE B, 1/4	8	8
14	0007847	SCREW, HEX HEAD CAP, 1/4 - 20 x 3/4	4	4
15	1017976	SEAL, BED	1	1
16	1018370-01	INSULATOR, BATTERY (ELECTRIC VEHICLE ONLY)		1
17	1013357	RIVET, ALUMINUM POP, 5/32 (ELECTRIC VEHICLE ONLY)		2
		FOR HINGE AND LATCH PLATE COMPONENTS, SEE PAGE 1 - 9.		

1
G
E



TILT BED HINGE AND PROP ROD

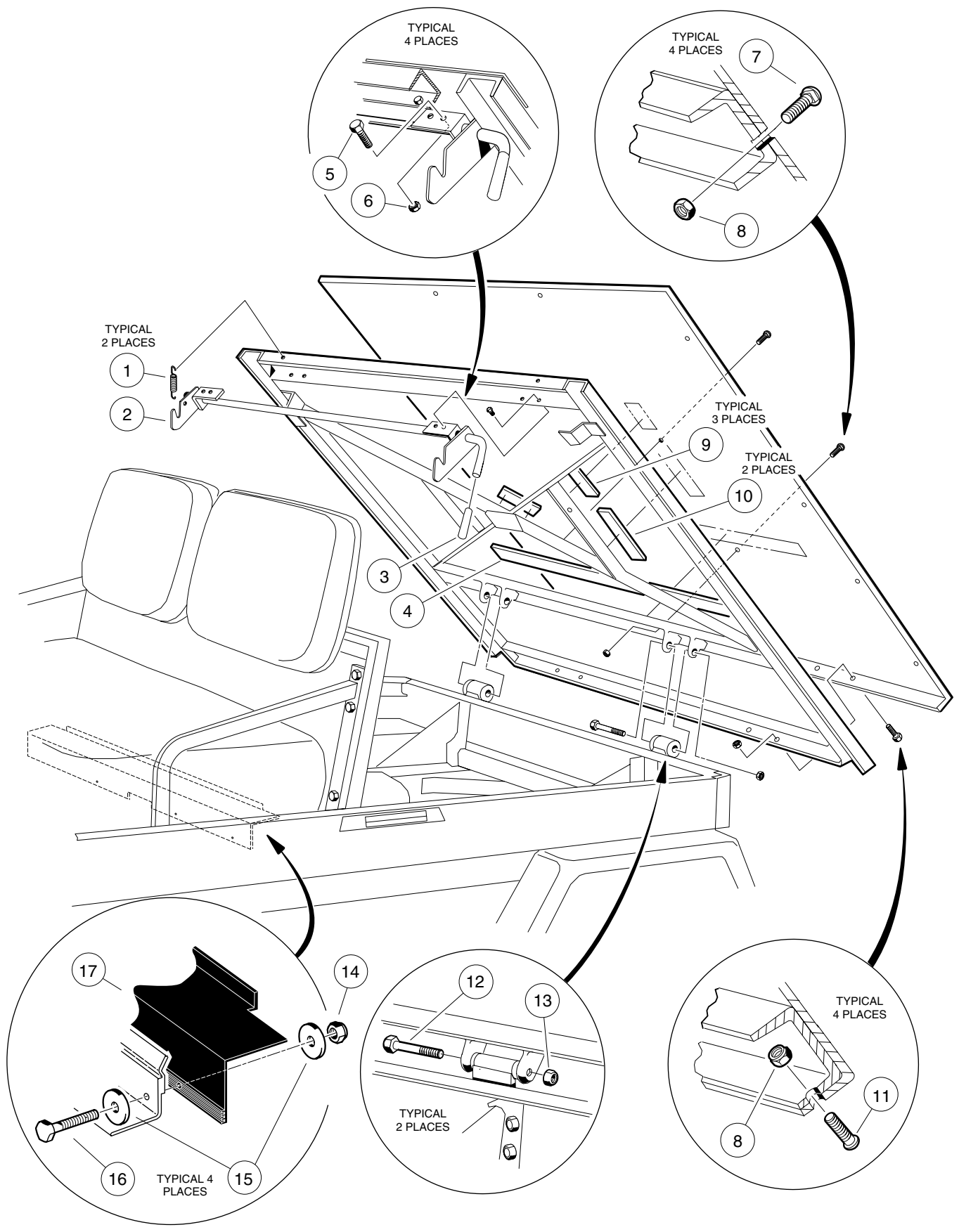
1

G

E

ITEM	PART NO.	DESCRIPTION	QTY GAS	QTY ELEC
		1 2 3 4		
1	1015583	BUSHING, URETHANE	4	4
2	1012303	BUSHING, STEEL	2	2
3	1015356	ASSEMBLY, TILT BED HINGE WELD	2	2
4	1015507	SHIM, TILT BED PIVOT	A/R	A/R
5	0008861	SCREW, HEX HEAD CAP, 3/8 - 16 x 1 3/4	4	4
6	1011990	WASHER, FLAT, 3/8	8	8
7	0000357	WASHER, LOCK, 3/8	4	4
8	0000706	NUT, HEX, 3/8 - 16	4	4
9	1015242	BUMPER, BED	2	2
10	1015277	PLATE, TILT BED LATCH	2	2
11	1016078	SHIM, LATCH PLATE	A/R	A/R
12	1016060	SUPPORT, LATCH PLATE	2	2
13	0000304	SCREW, HEX HEAD CAP, 1/4 - 20 x 1	4	4
14	0000332	WASHER, FLAT, 1/4	8	8
15	0000451	WASHER, LOCK, 1/4	4	4
16	0001028	NUT, HEX, 1/4 - 20	4	4
		ITEMS 17 - 23 CARRYALL II AND II PLUS ONLY		
17	1015348	ROD, PROP	1	
18	1015700	TRACK, PROP ROD	1	
19	0007847	SCREW, HEX HEAD CAP, 1/4 - 20 x 3/4	2	
20	0000332	WASHER, FLAT, 1/4	4	
21	0008233	NUT, NYLON LOCK, 1/4 - 20	2	
22	0000334	WASHER, FLAT, 3/8	1	
23	0001035	PIN, COTTER, 3/32 x 1	1	

1
G
E



TILT BED AND LATCH - CARRYALL II AND II PLUS

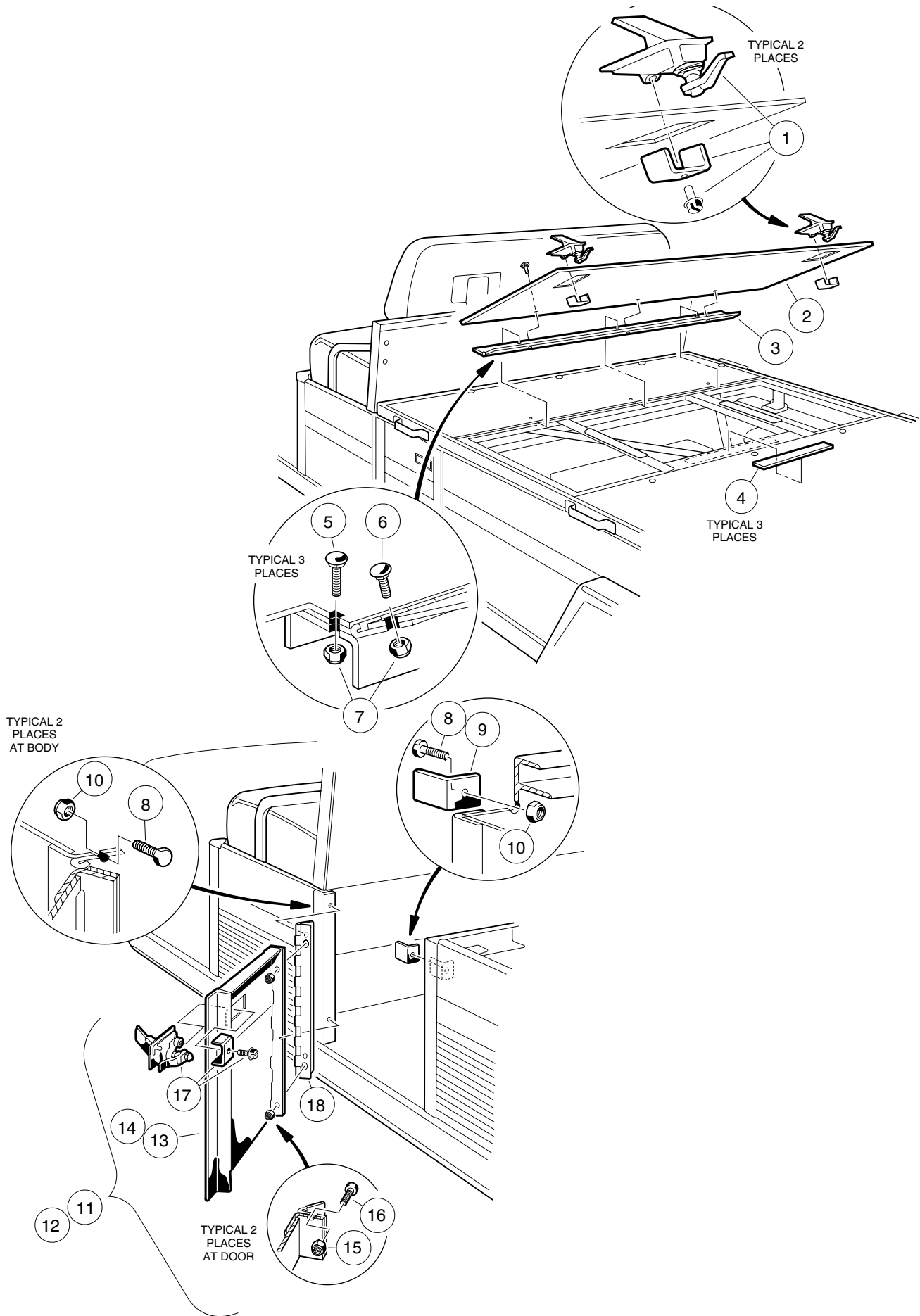
1

G

E

ITEM	PART NO.	DESCRIPTION	QTY GAS	QTY ELEC
		1 2 3 4		
	1015429-01	ASSEMBLY, TILT BED, CARRYALL II AND II PLUS (INCLUDES ITEMS 1 - 11)	1	
1	1015391	SPRING, LATCH EXTENSION	2	
2	1015252	ASSEMBLY, LATCH WELD	1	
3	1015400	HAND GRIP, TILT LATCH	1	
4	1014471	INSULATION, BULK (46 LONG)	A/R	
5	0000403	SCREW, HEX HEAD CAP, 1/4 - 20 x 5/8	4	
6	0001108	NUT, DIMPLED LOCK, 1/4 - 20	4	
7	1010435	BOLT, CARRIAGE, 5/16 - 18 x 1	4	
8	0007473	NUT, NYLON LOCK, 5/16 - 18	8	
9	1014471	INSULATION, BULK (4 LONG)	A/R	
10	1014471	INSULATION, BULK (8 LONG)	A/R	
11	1015399	SCREW, TORX TRUSS HEAD, 5/16 - 18 x 5/8	4	
12	0008755	SCREW, HEX HEAD CAP, 3/8 - 16 x 3 3/8	2	
13	0008754	NUT, NYLON LOCK, 3/8 - 16	2	
14	0008233	NUT, NYLON LOCK, 1/4 - 20	6	
15	1014306	WASHER, FLAT, 1/4	8	
16	0007847	SCREW, HEX HEAD CAP, 1/4 - 20 x 3/4	4	
17	1017976	SEAL, BED	1	
		FOR HINGE, LATCH PLATE AND PROP ROD COMPONENTS, SEE PAGE 1 - 9.		

1
G
E



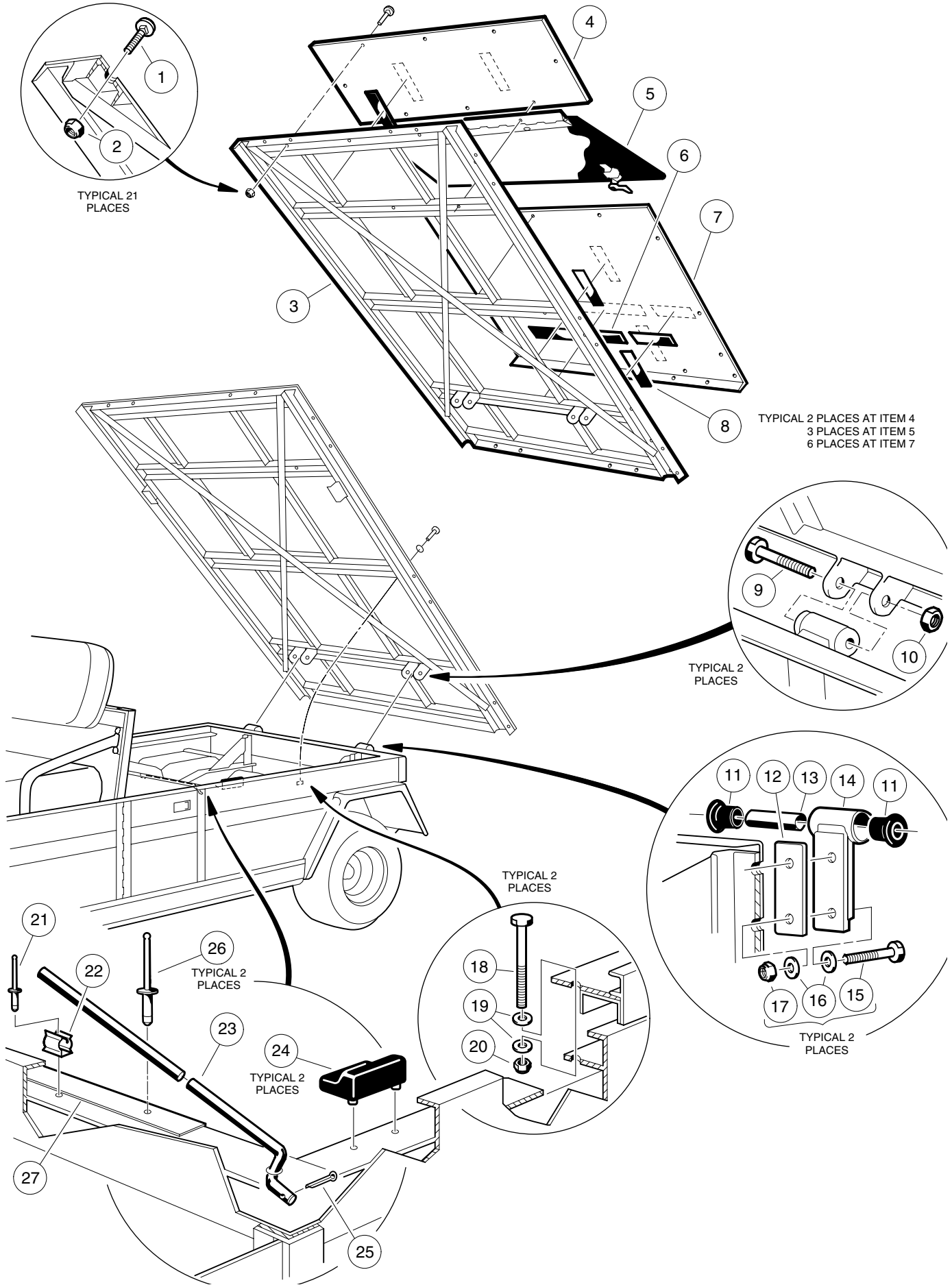
ACCESS DOOR AND SIDE DOORS - CARRYALL VI

1

G

E

ITEM	PART NO.	DESCRIPTION	QTY GAS	QTY ELEC
		1 2 3 4		
1	1016914	LATCH, COMPARTMENT DOOR	2	2
2	1016891	PLATE, LONG BED ACCESS DOOR	1	1
3	1016881	HINGE, LONG BED ACCESS DOOR	1	1
4	1014471	INSULATION, BULK (8-1/2 LONG)	A/R	A/R
5	1010435	BOLT, CARRIAGE, 5/16 - 18 x 1	3	3
6	1017077	BOLT, CARRIAGE, 5/16 - 18 x 5/8	3	3
7	0007473	NUT, NYLON LOCK, 5/16 - 18	6	6
8	0000403	SCREW, HEX HEAD CAP, 1/4 - 20 x 5/8	2	2
9	1013280	CLIP, ANGLE, CARRYALL	4	4
10	0008233	NUT, NYLON LOCK, 1/4 - 20	4	4
11	1016955	ASSEMBLY, COMPARTMENT DOOR, LEFT HAND (INCLUDES ITEMS 13, 15 - 18)	1	1
12	1016954	ASSEMBLY, COMPARTMENT DOOR, RIGHT HAND (INCLUDES ITEMS 14 - 18)	1	1
13	1016918	ASSEMBLY, COMPARTMENT DOOR WELD, LEFT HAND	1	1
14	1016909	ASSEMBLY, COMPARTMENT DOOR WELD, RIGHT HAND	1	1
15	0008233	NUT, NYLON LOCK, 1/4 - 20	2	2
16	0000403	SCREW, HEX HEAD CAP, 1/4 - 20 x 5/8	2	2
17	1016914	LATCH, COMPARTMENT DOOR	2	2
18	1016920	HINGE, COMPARTMENT DOOR	2	2



FLAT BED ASSEMBLY - CARRYALL VI

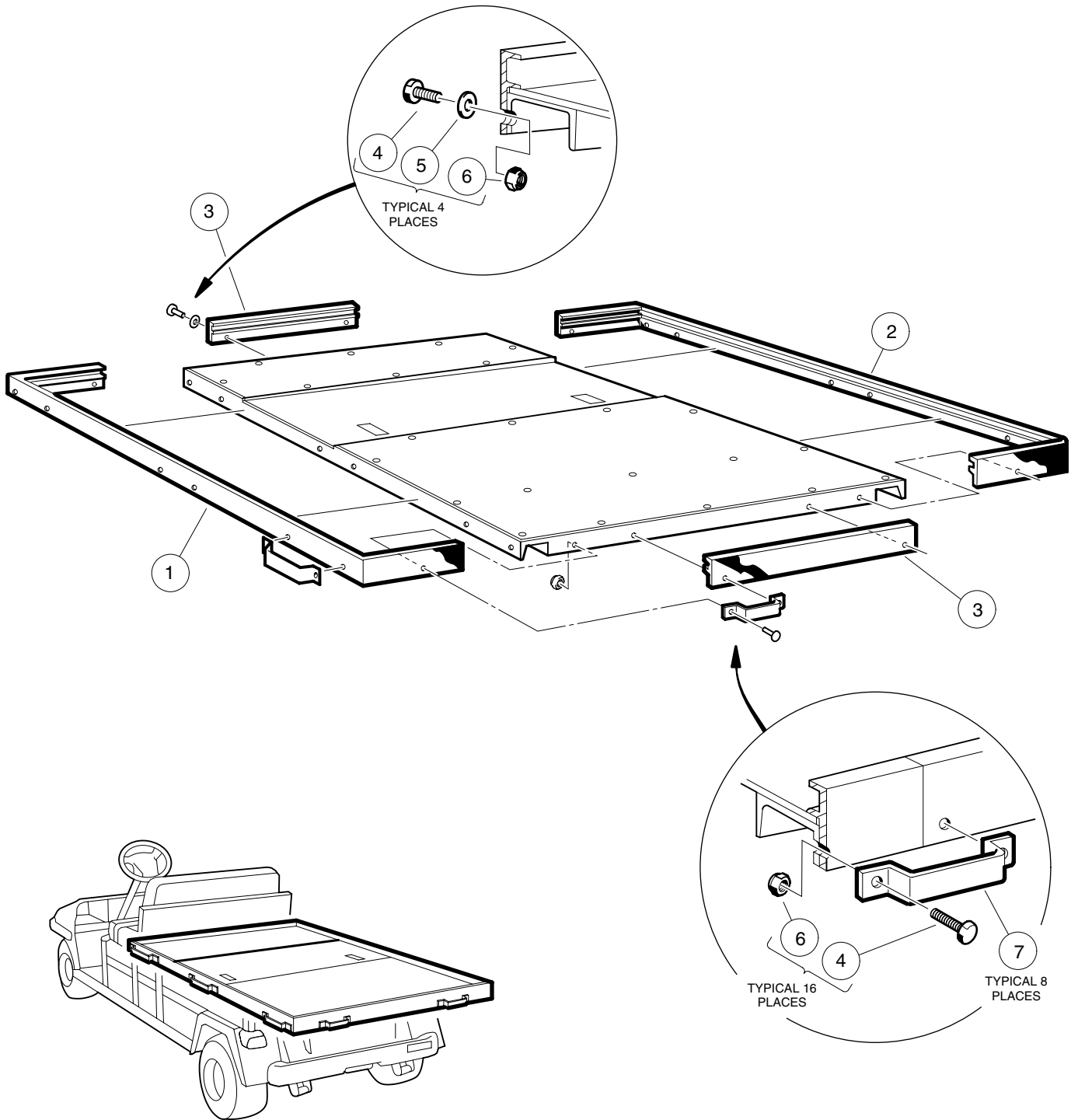
1

G

E

ITEM	PART NO.	DESCRIPTION	QTY GAS	QTY ELEC
		1 2 3 4		
	1016942	ASSEMBLY, FLAT BED (INCLUDES ITEMS 1 - 8)	1	1
1	1010435	BOLT, CARRIAGE, 5/16 - 18 x 1	21	21
2	0007473	NUT, NYLON LOCK, 5/16 - 18	21	21
3	1016878	FRAME, BED	1	1
4	1016892	PLATE, FORWARD FLOOR	1	1
5		ACCESS DOOR, LATCH, AND MOUNTING HARDWARE (SEE PAGE 1-13)		
6	1014471	INSULATION, BULK (20 LONG)	A/R	A/R
7	1016893	PLATE, REAR FLOOR	1	1
8	1014471	INSULATION, BULK (8 LONG)	A/R	A/R
9	0008755	SCREW, HEX HEAD CAP, 3/8 - 16 x 3-3/8	2	2
10	1010138	NUT, DIMPLED LOCK, 3/8 - 16	2	2
11	1015583	BUSHING, URETHANE	4	4
12	1015507	SHIM, TILT BED PIVOT	A/R	A/R
13	1012303	BUSHING, STEEL	2	2
14	1015356	ASSEMBLY, TILT BED HINGE WELD	2	2
15	0008861	SCREW, HEX HEAD CAP, 3/8 - 16 x 1 3/4	4	4
16	1011990	WASHER, FLAT, 3/8	8	8
17	0008754	NUT, NYLON LOCK, 3/8 - 16	4	4
18	1013872	SCREW, HEX HEAD CAP, 1/4 - 20 x 4	2	2
19	0000332	WASHER, FLAT, 1/4	4	4
20	0008233	NUT, NYLON LOCK, 1/4 - 20	2	2
21	1015727	RIVET, POP	1	1
22	1013413	CLIP, ROD, CARRYALL, 3/8	1	1
23	1017032	ROD, PROP, LONG BED	1	1
24	1015242	BUMPER, BED	2	2
25	0001035	PIN, COTTER, 3/32 x 1	1	1
26	1013357	RIVET, POP		2
27	1018370-01	INSULATOR, BATTERY		1

1
G
E



FLAT BED TRIM - CARRYALL VI

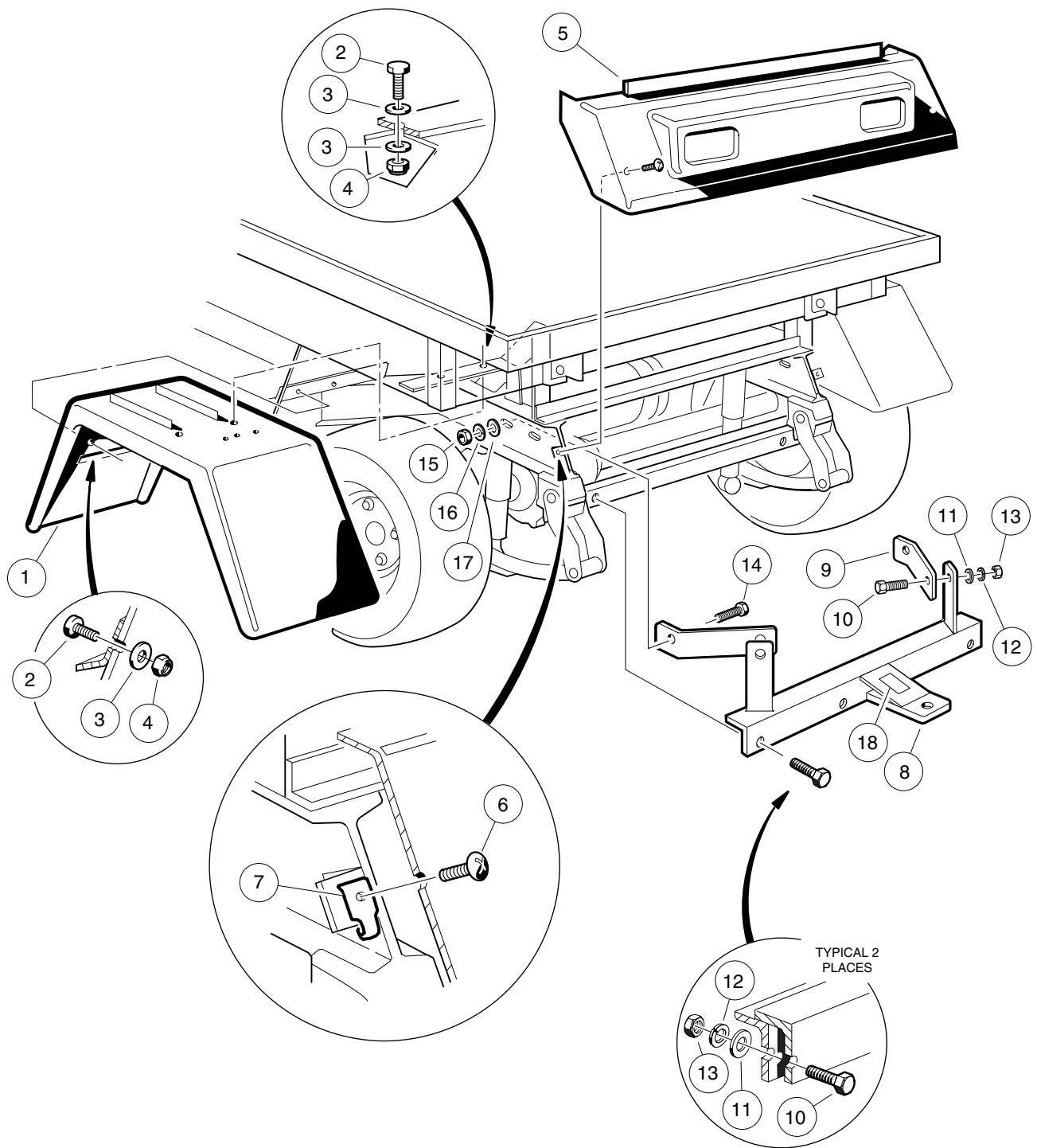
1

G

E

ITEM	PART NO.	DESCRIPTION	QTY GAS	QTY ELEC
		1 2 3 4		
1	1016944	TRIM, LONG BED, LEFT	1	1
2	1016948	TRIM, LONG BED, RIGHT.....	1	1
3	1016943	TRIM, LONG BED, FRONT AND REAR	2	2
4	1010934	BOLT, HEX HEAD, 5/16 - 18 x 1.....	20	20
5	0001241	WASHER, FLAT, 5/16	4	4
6	0007473	NUT, NYLON LOCK, 5/16 - 18.....	20	20
7	1016077	BRACKET, STAKE SIDE	8	8

1
G
E



REAR COVER - CARRYALL I, II AND II PLUS

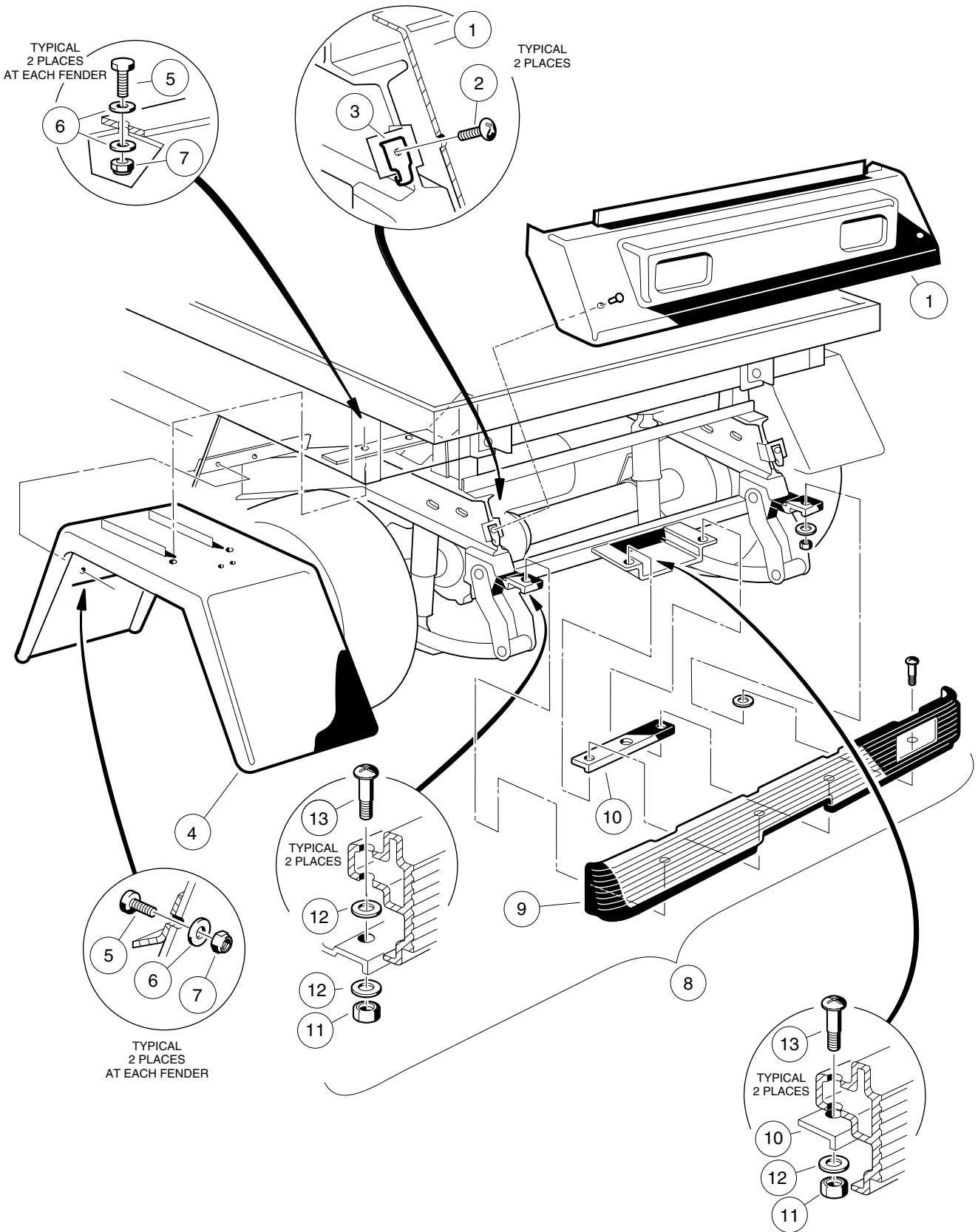
1

G

E

ITEM	PART NO.	DESCRIPTION	QTY GAS	QTY ELEC
		1 2 3 4		
1	1016679	FENDER, REAR	2	2
2	0000304	SCREW, HEX HEAD CAP, 1/4 - 20 x 1	8	8
3	1014306	WASHER, FLAT, TYPE B, 1/4	8	8
4	0008233	NUT, NYLON LOCK, 1/4 - 20	8	8
5	1015530	TAILSKIRT	1	1
6	0008248	SCREW, PHILLIPS HEAD, 1/4 - 20 x 3/4	2	2
7	1015529	NUT, TINNERMAN "U", 1/4 - 20	2	2
8	1015445	KIT, TRAILER HITCH (CARRYALL II AND II PLUS ONLY) (INCLUDES ITEMS 9 - 18)	1	
9	1013483	BRACE, TRAILER HITCH	2	
10	1010934	SCREW, HEX HEAD CAP, 5/16 - 18 x 1	4	
11	0001241	WASHER, FLAT, 5/16	4	
12	0007174	WASHER, LOCK, 5/16	4	
13	0001242	NUT, HEX, 5/16 - 18	4	
14	0000320	SCREW, HEX HEAD CAP, 3/8 - 16 x 1	2	
15	0000706	NUT, HEX, 3/8 - 16	2	
16	0000357	WASHER, LOCK, 3/8	2	
17	1011990	WASHER, FLAT, 3/8	2	
18	1011553	DECAL	1	

1
G
E



REAR COVER - CARRYALL VI

1

G

E

ITEM	PART NO.	DESCRIPTION	QTY GAS	QTY ELEC
		1 2 3 4		
1	1015530	TAILSKIRT, TILT BED	1	1
2	0008248	SCREW, PHILLIPS TRUSS HEAD, 1/4 - 20 x 3/4	2	2
3	1015529	NUT, TINNEMAN, "U", 1/4 - 20	2	2
4	1016679	FENDER, REAR	2	2
5	0000304	SCREW, HEX HEAD CAP, 1/4 - 20 x 1	8	8
6	1014306	WASHER, FLAT, 1/4	12	12
7	0008233	NUT, NYLON LOCK, 1/4 - 20	8	8
8	1017079	KIT, REAR BUMPER (INCLUDES ITEMS 9 - 13)	1	1
9	1016379	BUMPER, REAR	1	1
10	1016875	PLATE, MOUNTING, LONG	1	1
11	0007473	NUT, NYLON LOCK, 5/16 - 18	4	4
12	1011697	WASHER, FLAT, 5/16	6	6
13	1016876	BOLT, PHILLIPS TRUSS HEAD SHOULDER, 3/8 - 18 x 2	4	4

1

G

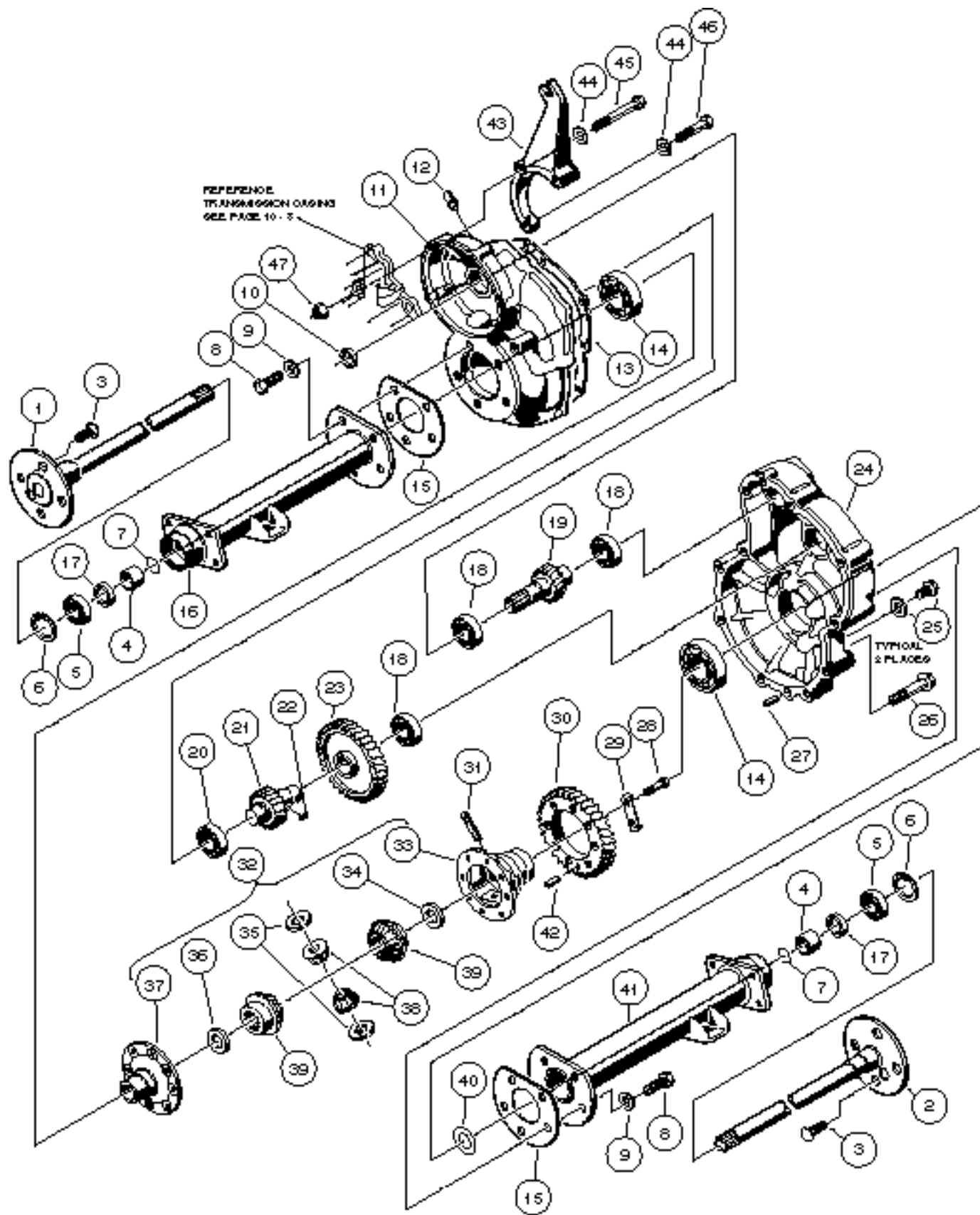
E

TRANSAXLE

2

G

E



ITEM	PART NO.	DESCRIPTION	QTY GAS	QTY ELEC
		1 2 3 4		
	1017683-02	TRANSAXLE (INCLUDES ITEMS 1 - 42)	1	1
1	1013785	AXLE ASSEMBLY, RIGHT (INCLUDES ITEMS 3 - 7)	1	1
2	1013786	AXLE ASSEMBLY, LEFT (INCLUDES ITEMS 3 - 7)	1	1
3	1013787	STUD, LUG	8	8
4	1014207	BUSHING, 25 MM I. D.	1	1
5	1011291	BEARING, OUTER AXLE TUBE	2	2
6	1013792	CIRCLIP, TYPE C	2	2
7	1016672	RING, RETAINING	2	2
8	1013790	BOLT, M10 x 1.5 x 30MM	10	10
9	1013791	WASHER, LOCK, 13/32	10	10
10	1013775	SEAL, INPUT SHAFT OIL	1	1
11	1013756	GEAR CASE, RIGHT	1	1
12	1012711	BREATHER	1	1
13	1013758	GASKET, CASE	1	1
14	0007330	BEARING, INNER AXLE TUBE	2	2
15	1013789	GASKET, AXLE TUBE	2	2
16	1017704	ASSEMBLY, AXLE TUBE, RIGHT SIDE	1	1
17	1013794	SEAL, AXLE SHAFT OIL	2	2
18	0007335	BEARING, INPUT GEAR	3	3
19	1013764	SHAFT, INPUT	1	1
20	0007336	BEARING, INTERMEDIATE GEAR	1	1
21	1013766	GEAR, INTERMEDIATE, SMALL	1	1
22	1013780	KEY, SUNK	1	1
23	1013765	GEAR, INTERMEDIATE, LARGE	1	1
24	1013757	GEAR CASE, LEFT	1	1
25	1013759	PLUG, FILL, WITH GASKET	2	2
26	1013763	BOLT, M6 x 1 x 50MM	10	10
27	1012710	PIN, DOWEL	2	2
28	1013779	BOLT, M8 x 1.25 x 37MM	8	8
29	1013782	PLATE, LOCK	4	4
30	1013767	GEAR, OUTPUT	1	1
31	1013772	PIN, DIFFERENTIAL	1	1
32	1019105-01	KIT, DIFFERENTIAL GEAR CASE (INCLUDES ITEMS 33 - 37) (USE WHOLE KIT AS RECEIVED. SOME KITS DO NOT CONTAIN ITEM 34.)	1	1
33	1013768	GEAR CASE, DIFFERENTIAL (LEFT)	1	1
34	1013773	PLATE, THRUST (DIFFERENTIAL GEAR) (WHEN REPLACING THRUST PLATES ONLY, REPLACE PER ORIGINAL ASSEMBLY.).....	1	1
35	1013774	PLATE, THRUST (IDLER GEAR)	2	2
36	1013773	PLATE, THRUST (DIFFERENTIAL GEAR)	1	1
37	1013769	GEAR CASE, DIFFERENTIAL (RIGHT)	1	1
38	1013770	GEAR, DIFFERENTIAL IDLER	1	1
39	1013771	GEAR, DIFFERENTIAL	2	2
40	1013781	SHIM	1	1
41	1017703	ASSEMBLY, AXLE TUBE, LEFT SIDE	1	1
42	1014193	PIN, DOWEL	1	1
43	1013866	KIT, TRANSMISSION CABLE SUPPORT BRACKET (INCLUDES 44 - 47)	1	
44	0000332	WASHER, FLAT, 1/4	6	
45	1013872	SCREW, HEX HEAD CAP, 1/4 - 20 x 4	2	
46	1012462	SCREW, HEX HEAD CAP, 1/4 - 20 x 3 1/2	1	
47	0008233	NUT, NYLON LOCK, 1/4 - 20	3	

2

G

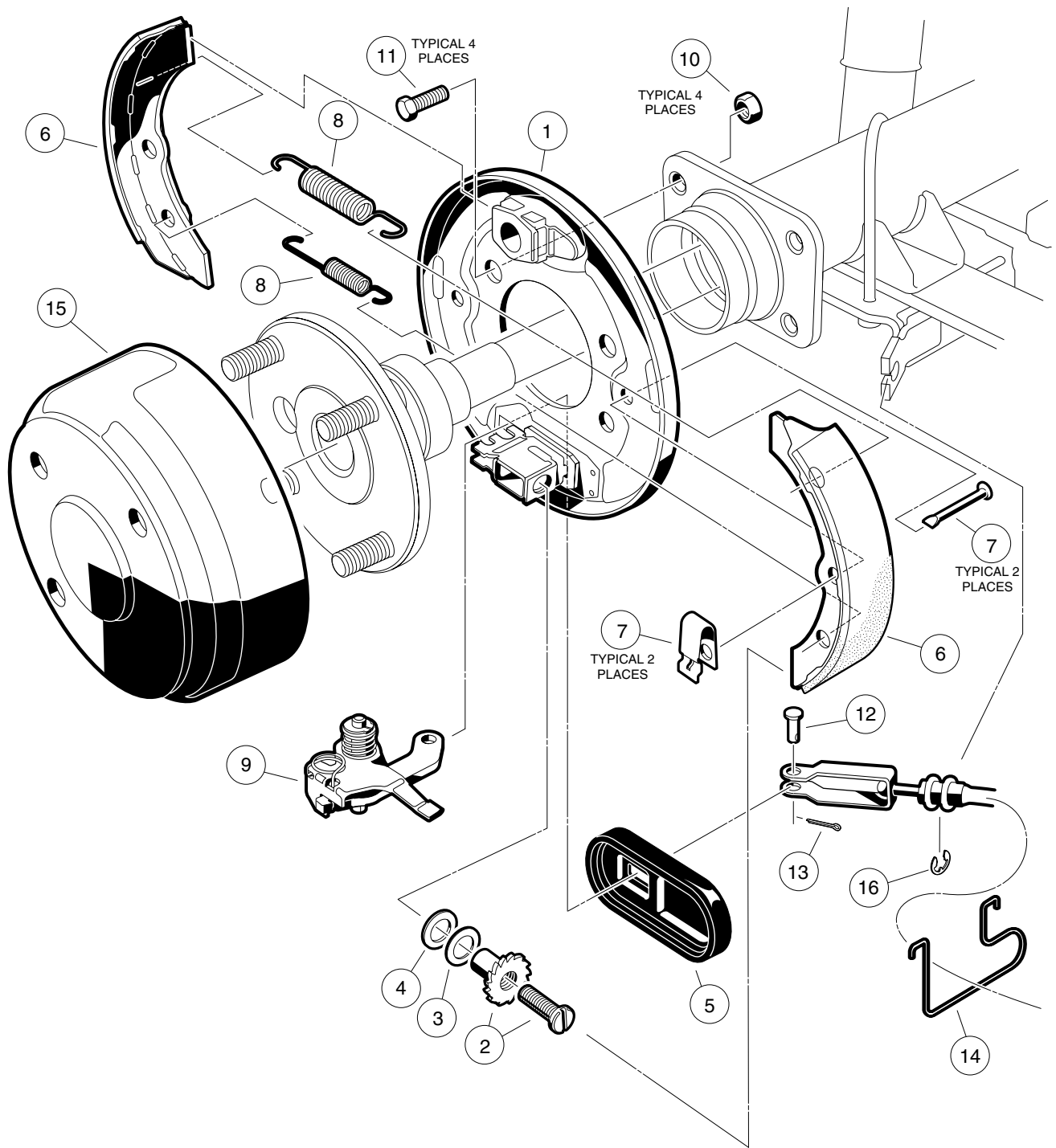
E

BRAKES, PEDAL, AND CABLE ASSEMBLIES

3

G

E



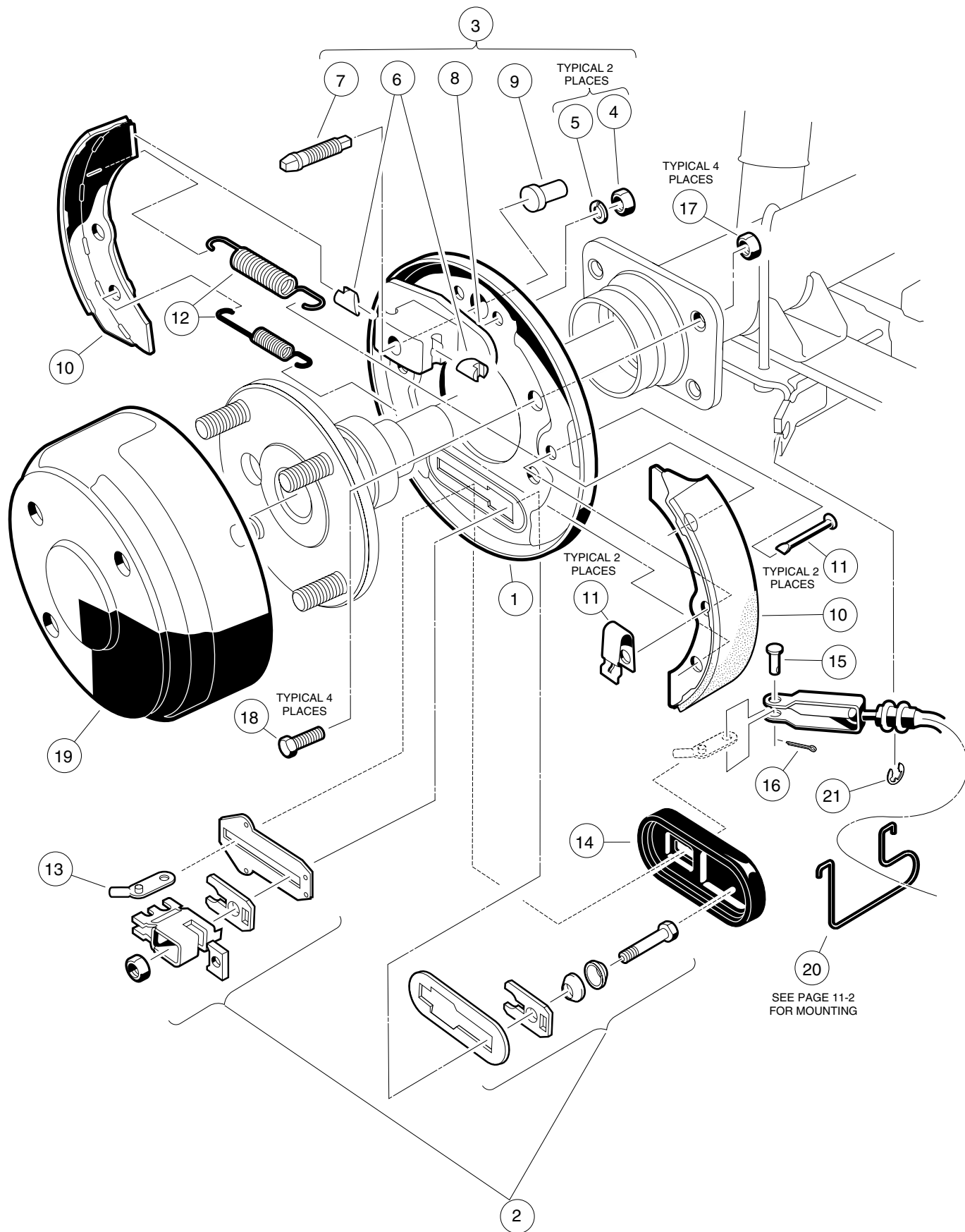
REAR BRAKE ASSEMBLY, SELF-ADJUSTING CARRYALL I

3

G

E

ITEM	PART NO.	DESCRIPTION	QTY GAS	QTY ELEC
		1 2 3 4		
	1018233-01	CLUSTER, RIGHT BRAKE (INCLUDES ITEMS 1 - 9)	1	1
	1018233-02	CLUSTER, LEFT BRAKE (INCLUDES ITEMS 1 - 9)	1	1
1	1018240-01	ASSEMBLY, BACKING PLATE, RIGHT (INCLUDES ITEMS 2, 3 AND 4)	1	1
1	1018240-02	ASSEMBLY, BACKING PLATE, LEFT (INCLUDES ITEMS 2, 3 AND 4)	1	1
2	1018165-01	MECHANISM, ADJUSTING, RIGHT	1	1
2	1018165-02	MECHANISM, ADJUSTING, LEFT	1	1
3	1018239-01	WASHER	1	1
4	1018238-01	WASHER, PLATE	1	1
5	1010850	COVER, DUST	1	1
6	1018232-01	PACKAGE, BRAKE SHOE (FOUR PIECES)	1	1
7	1011466	KIT, SHOE RETAINER (FOUR PIECES)	1	1
8	1018163-01	PACKAGE, BRAKE SPRING (FOUR PIECES)	1	1
9	1018155-01	ASSEMBLY, LEVER, RIGHT	1	1
9	1018155-02	ASSEMBLY, LEVER, LEFT	1	1
10	1013924	NUT, HEX CONE, 5/16 - 24	8	8
11	1014153	BOLT, BRAKE CLUSTER MOUNTING	8	8
12	1010829	PIN, CLEVIS, 5/16	2	2
13	0001035	PIN, COTTER, 3/32 x 1	2	2
14	1013207	HANGER, BRAKE CABLE	2	2
15	1017911-01	DRUM, BRAKE	2	2
16	1011779	CLIP, "E", 1/2	2	2



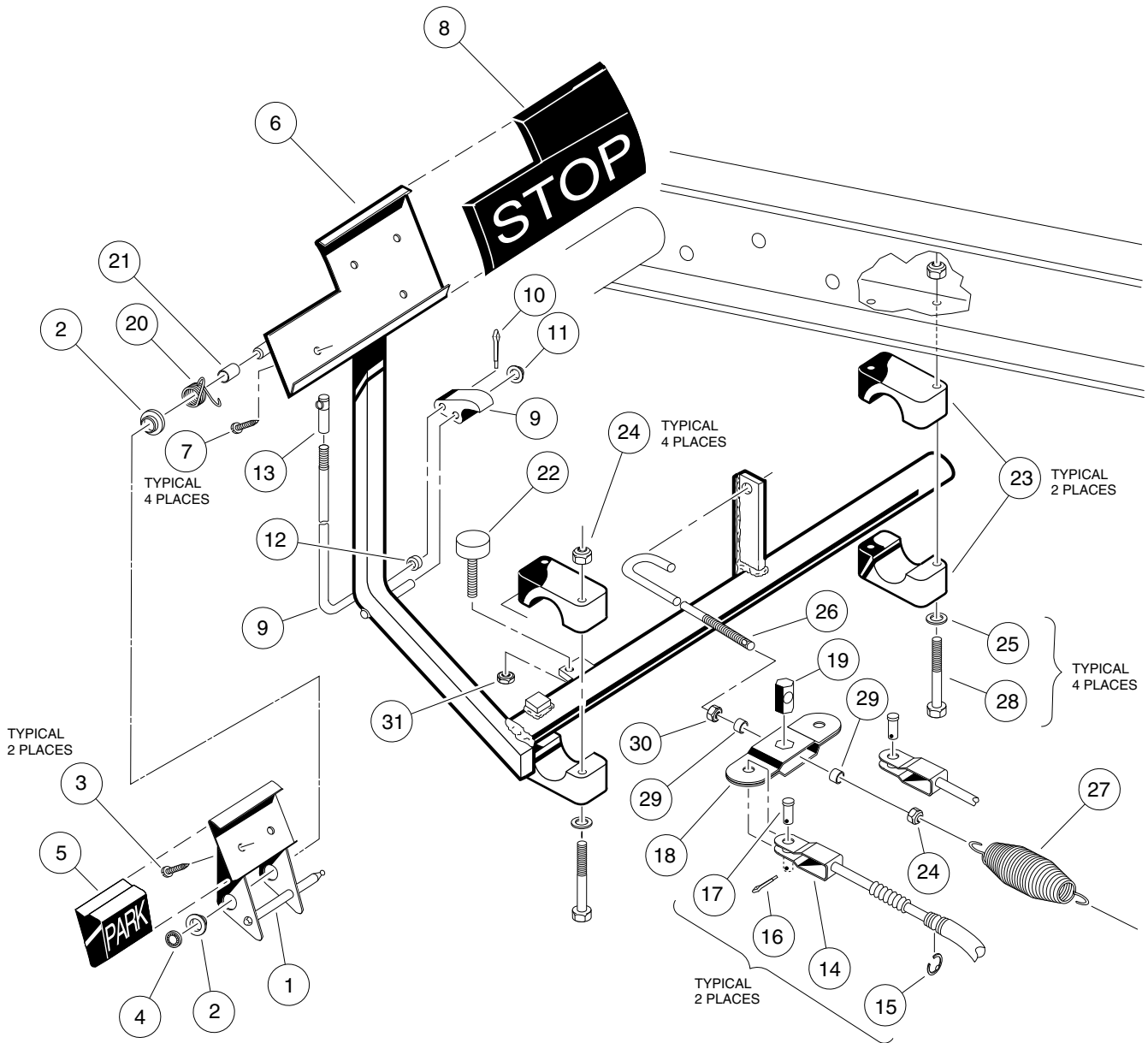
REAR BRAKE ASSEMBLY, MANUALLY ADJUSTED CARRYALL II, II PLUS AND VI

3

G

E

ITEM	PART NO.	DESCRIPTION	QTY GAS	QTY ELEC
		1 2 3 4		
	1016573	CLUSTER, RIGHT BRAKE, WITHOUT BRAKE DRUM (INCLUDES ITEMS 1 - 14)	1	1
	1016557	CLUSTER, LEFT BRAKE, WITHOUT BRAKE DRUM (INCLUDES ITEMS 1 - 14)	1	1
1	1011494	PLATE, BACKING, LEFT SIDE	1	1
1	1011154	PLATE, BACKING, RIGHT SIDE	1	1
2	1011465	KIT, BRAKE ACTUATOR	1	1
3	1011467	KIT, ANCHOR BODY (INCLUDES ITEMS 4 - 9)	1	1
4	1011114	NUT, M6 x 1	2	2
5	0000451	WASHER, LOCK, 1/4	2	2
6	N/A	PISTON, ANCHOR	2	2
7	N/A	BOLT, ADJUSTMENT	1	1
8	N/A	BODY, ANCHOR	1	1
9	1011303	CAP, ADJUSTMENT BOLT	1	1
10	1011463	PACKAGE, BRAKE SHOE (FOUR PIECES)	1	1
11	1011466	KIT, SHOE RETAINER (FOUR PIECES)	1	1
12	1011464	PACKAGE, BRAKE SPRING (FOUR PIECES)	1	1
13	N/A	ARM, BRAKE LEVER	1	1
14	1010850	COVER, DUST	1	1
15	1010829	PIN, CLEVIS, 5/16	1	1
16	0001035	PIN, COTTER, 3/32 x 1	1	1
17	1013924	NUT, CONE LOCK, GRADE 8, 5/16 - 24	8	8
18	1014153	BOLT, BRAKE CLUSTER MOUNTING	8	8
19	1017911-01	DRUM, BRAKE	2	2
20	1013207	HANGER, BRAKE CABLE	2	2
21	1011779	CLIP, "E", 1/2	2	2



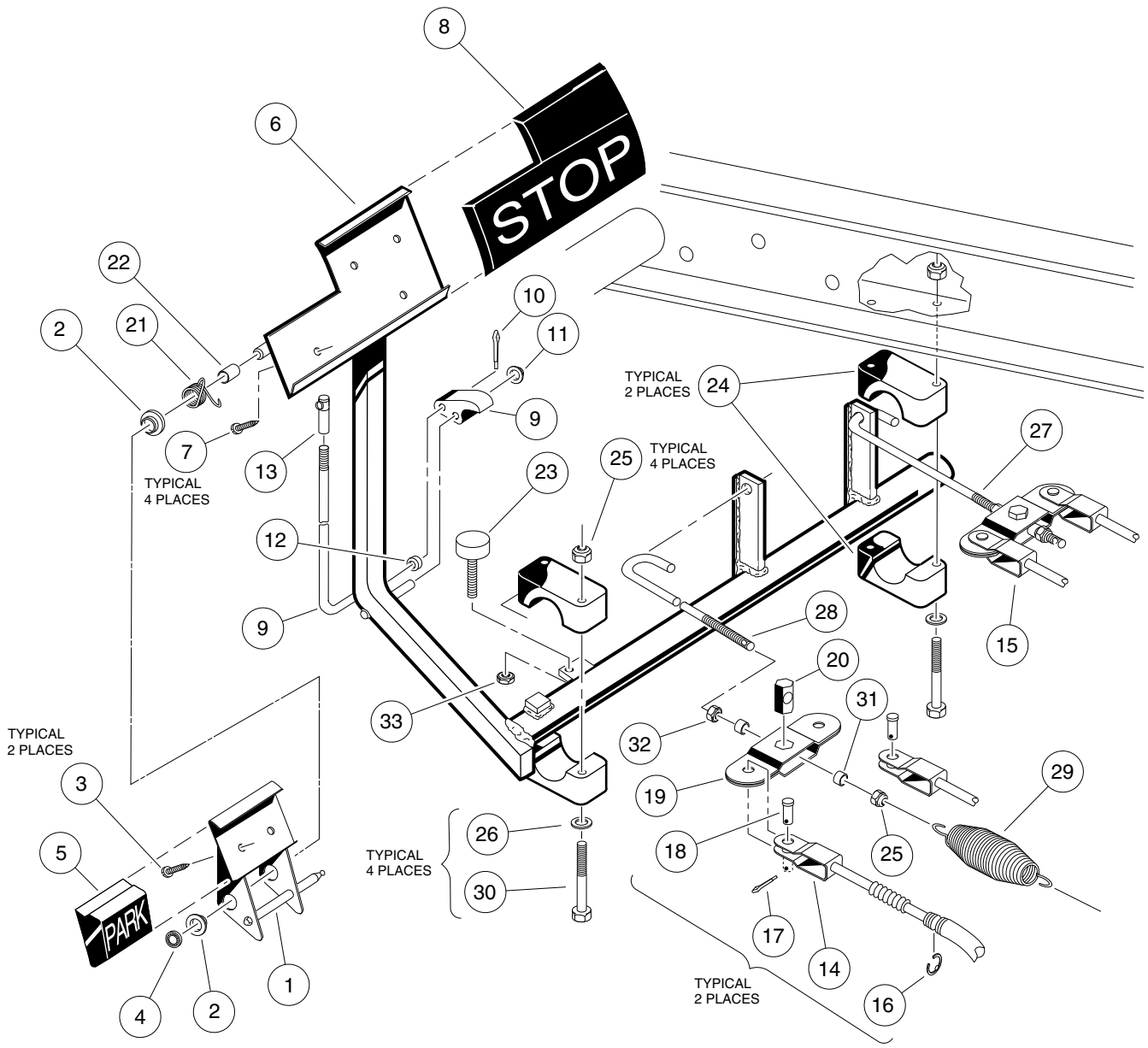
BRAKE PEDAL AND CABLE ASSEMBLY VEHICLES WITH 2-WHEEL BRAKING

3

G

E

ITEM	PART NO.	DESCRIPTION	QTY GAS	QTY ELEC
		1 2 3 4		
1	1011418	KIT, PARK BRAKE PEDAL (INCLUDES ITEMS 2 - 5)	1	1
2	0001032	BUSHING, NYLON	2	2
3	0007716	SCREW, SLOTTED HEX WASHER HEAD, #10 - 16 x 1/2	2	2
4	1013876	NUT, PUSH, 3/8	1	1
5	1013870	PAD, PARK BRAKE	1	1
6	1011406	KIT, BRAKE PEDAL (INCLUDES ITEMS 7 AND 8)	1	1
7	0007716	SCREW, SLOTTED HEX WASHER HEAD, #10 - 16 x 1/2	4	4
8	1013869	PAD, BRAKE PEDAL	1	1
9	1016173	KIT, PARK BRAKE ROD AND PAWL (INCLUDES ITEMS 10 - 13)	1	1
10	1017029	PIN, COTTER, 7/64 x 1/2	1	1
11	1010877	NUT, PUSH, 5/16	1	1
12	1010805	SLEEVE, PARK BRAKE ROD	1	1
13	1010932	JOINT, BALL, 1/4 - 28	1	1
14	1011403	KIT, BRAKE CABLE, REAR (INCLUDES ITEMS 15 - 17)	2	2
15	1011779	CLIP, "E", 1/2	2	2
16	0001035	PIN, COTTER, 3/32 x 1	2	2
17	1010829	PIN, CLEVIS, 5/16	2	2
18	1017211	KIT, EQUALIZER AND PIVOT LIMITER (INCLUDES ITEM 19)	1	1
19	N/A	PIN, EQUALIZER PIVOT	1	1
20	1010933	SPRING, PARK BRAKE TORSION	1	1
21	1010927	SPACER, PARK BRAKE	1	1
22	1010878	STOP, BRAKE	1	1
23	1011402	PACKAGE, BRAKE MOUNTING BLOCK (CONTAINS UPPER AND LOWER FOR LEFT AND RIGHT SIDES)	1	1
24	0008986	NUT, DIMPLED LOCK, 5/16 - 18	5	5
25	0001241	WASHER, FLAT, 5/16	4	4
26	1010808	ROD, EQUALIZER, REAR (CARRYALL I)	1	1
26	1013236	ROD, EQUALIZER, REAR (CARRYALL II)	1	1
27	1013532	SPRING, BRAKE RETURN (GASOLINE CARRYALL I AND CARRYALL II)	1	
27	1013531	SPRING, BRAKE RETURN (ELECTRIC CARRYALL I ONLY)		1
28	1010921	SCREW, HEX HEAD CAP, 5/16 - 18 x 2 1/2	4	4
29	1018653-01	SPACER, EQUALIZER	2	2
30	0001242	NUT, HEX, 5/16 - 18	1	1
31	0001028	NUT, HEX, 1/4 - 20	1	1



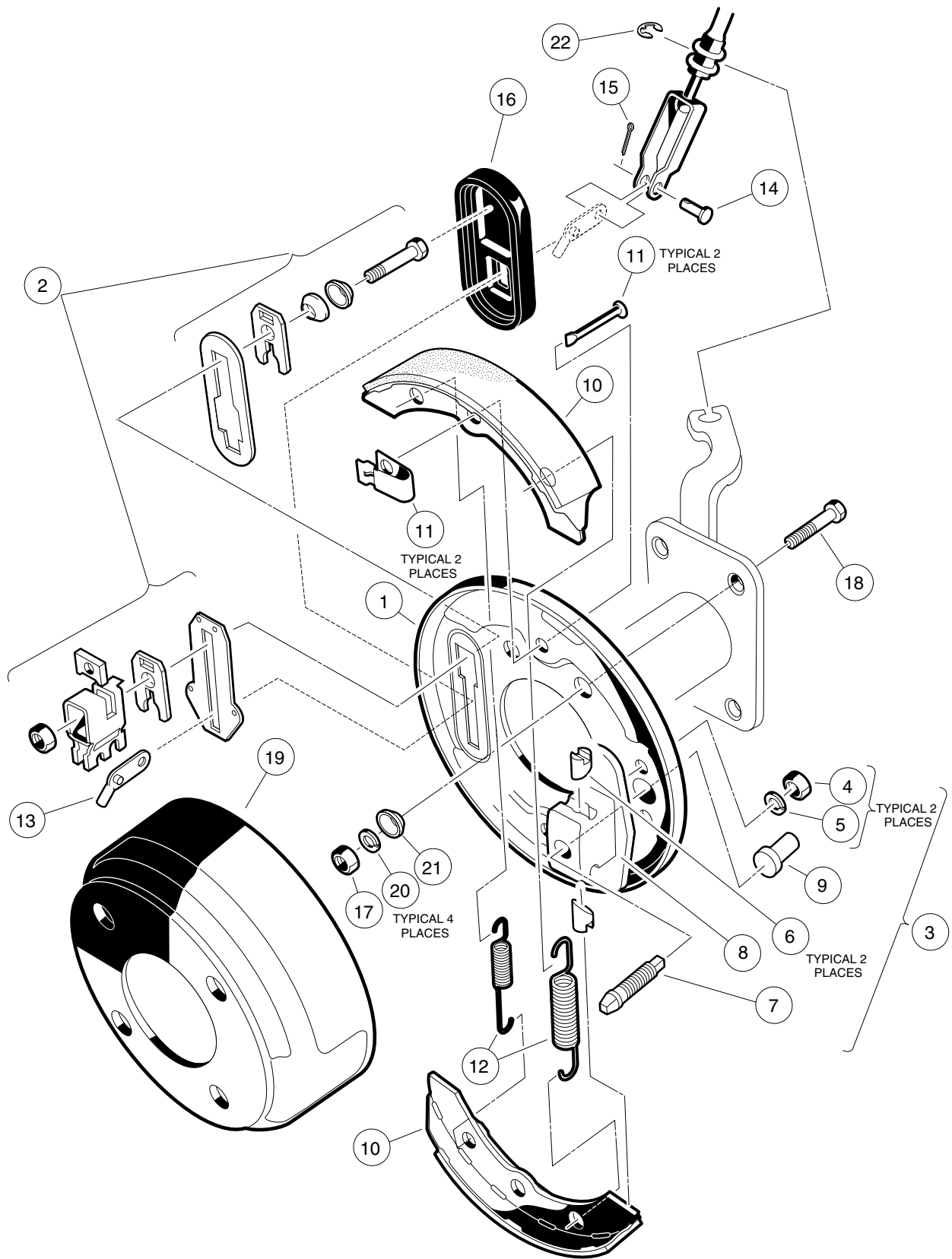
BRAKE PEDAL AND CABLE ASSEMBLY VEHICLES WITH 4-WHEEL BRAKING

3

G

E

ITEM	PART NO.	DESCRIPTION	QTY GAS	QTY ELEC
		1 2 3 4		
1	1011418	KIT, PARK BRAKE PEDAL (INCLUDES ITEMS 2 - 5)	1	1
2	0001032	BUSHING, NYLON	2	2
3	0007716	SCREW, SLOTTED HEX WASHER HEAD, #10 -16 x 1/2	2	2
4	1013876	NUT, PUSH, 3/8	1	1
5	1013870	PAD, PARK BRAKE	1	1
6	1018782-01	KIT, BRAKE PEDAL (INCLUDES ITEMS 7 AND 8)	1	1
7	0007716	SCREW, SLOTTED HEX WASHER HEAD, #10 - 16 x 1/2	4	4
8	1013869	PAD, BRAKE PEDAL	1	1
9	1016173	KIT, PARK BRAKE ROD AND PAWL (INCLUDES ITEMS 10 - 13)	1	1
10	1017029	PIN, COTTER, 7/64 x 1/2	1	1
11	1010877	NUT, PUSH, 5/16	1	1
12	1010805	SLEEVE, PARK BRAKE ROD	1	1
13	1010932	JOINT, BALL, 1/4 - 28	1	1
14	1011403	KIT, BRAKE CABLE, REAR (INCLUDES ITEMS 16, 17 AND 18)	2	2
15	1018746-01	KIT, BRAKE CABLE, FRONT (INCLUDES ITEMS 16, 17 AND 18)	2	2
16	1011779	CLIP, E-50 ROTOR, 1/2	2	2
17	0001035	PIN, COTTER, 3/32 x 1	2	2
18	1010829	PIN, CLEVIS, 5/16	2	2
19	1017211	KIT, EQUALIZER AND PIVOT LIMITER (INCLUDES ITEM 20)	2	2
20	N/A	PIN, EQUALIZER PIVOT	1	1
21	1010933	SPRING, PARK BRAKE TORSION	1	1
22	1010927	SPACER, PARK BRAKE	1	1
23	1010878	STOP, BRAKE	1	1
24	1011402	PACKAGE, BRAKE MOUNTING BLOCK (CONTAINS UPPER AND LOWER FOR LEFT AND RIGHT SIDES)	1	1
25	0007473	NUT, NYLON LOCK, 5/16 - 18	6	6
26	0001241	WASHER, FLAT, 5/16	4	4
27	1018687-01	ROD, EQUALIZER, FRONT	1	1
28	1013236	ROD, EQUALIZER, REAR (CARRYALL II AND CARRYALL II PLUS)	1	
28	1016708-01	ROD, EQUALIZER, REAR (CARRYALL VI)	1	1
29	1013532	SPRING, BRAKE RETURN	1	1
30	1010921	SCREW, HEX HEAD CAP, 5/16 - 18 x 2 1/2	4	4
31	1018653-01	SPACER, EQUALIZER	4	4
32	0001242	NUT, HEX, 5/16 - 18	2	2
33	0001028	NUT, HEX, 1/4 - 20	1	1



FRONT BRAKE ASSEMBLY VEHICLES WITH 4-WHEEL BRAKING

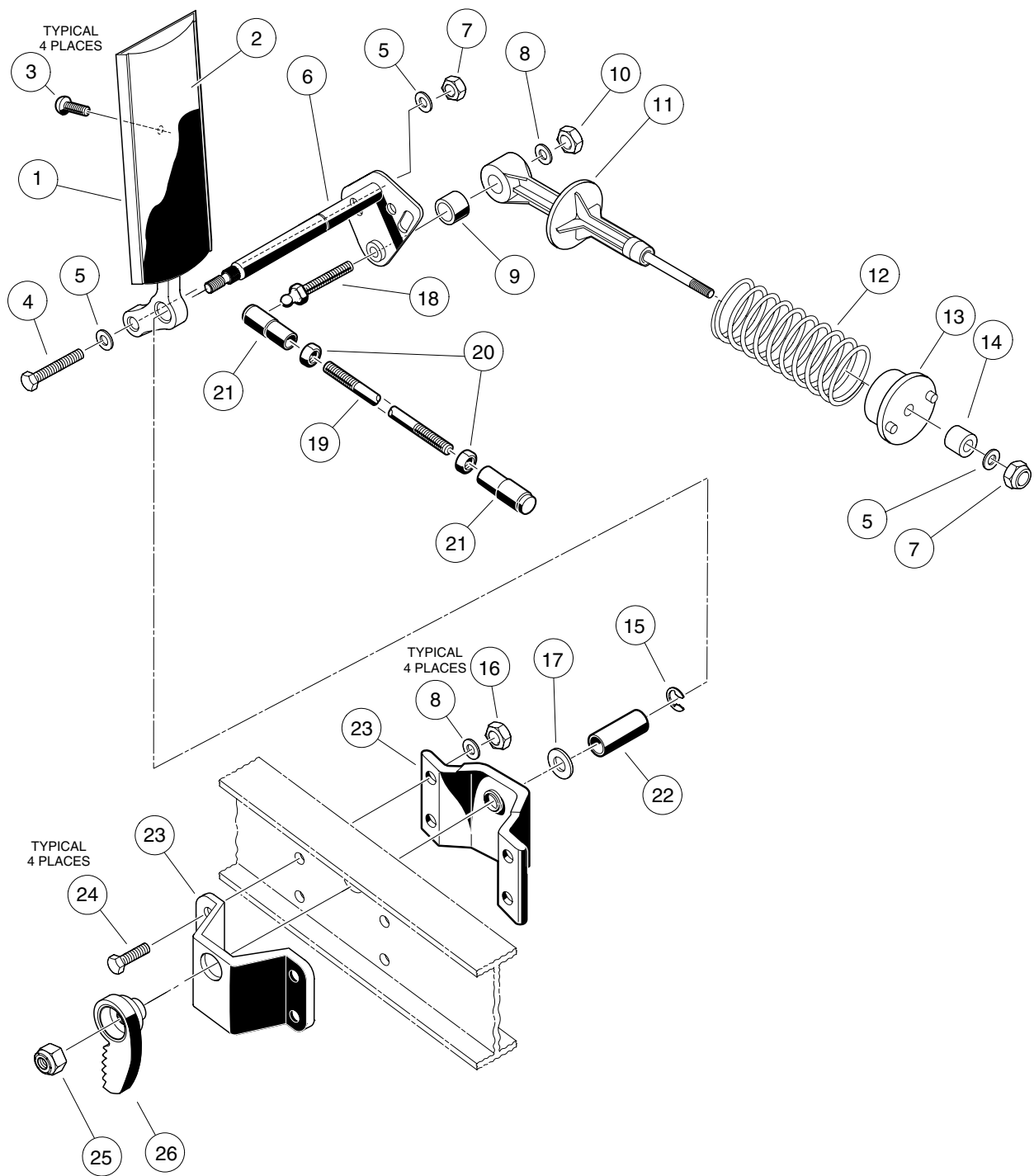
3

G

E

ITEM	PART NO.	DESCRIPTION	QTY GAS	QTY ELEC
		1 2 3 4		
	1016573	CLUSTER, RIGHT BRAKE, WITHOUT BRAKE DRUM (INCLUDES ITEMS 1 - 14)	1	1
	1016557	CLUSTER, LEFT BRAKE, WITHOUT BRAKE DRUM (INCLUDES ITEMS 1 - 14)	1	1
1	1011154	PLATE, BACKING, RIGHT SIDE	1	1
1	1011494	PLATE, BACKING, LEFT SIDE	1	1
2	1011465	KIT, BRAKE ACTUATOR	1	1
3	1011467	KIT, ANCHOR BODY (INCLUDES ITEMS 4 - 9)	1	1
4	1011114	NUT, M6 x 1	2	2
5	0000451	WASHER, LOCK, 1/4	2	2
6	N/A	PISTON, ANCHOR	2	2
7	N/A	BOLT, ADJUSTMENT	1	1
8	N/A	BODY, ANCHOR	1	1
9	1011303	CAP, ADJUSTMENT BOLT	1	1
10	1011463	PACKAGE, BRAKE SHOE (FOUR PIECES)	1	1
11	1011466	KIT, SHOE RETAINER (FOUR PIECE)	1	1
12	1011464	PACKAGE, BRAKE SPRING (FOUR PIECES)	1	1
13	N/A	ARM, BRAKE LEVER	1	1
14	1010850	COVER, DUST	1	1
15	1010829	PIN, CLEVIS, 5/16	2	2
16	0001035	PIN, COTTER, 3/32 x 1	2	2
17	1018727-01	NUT, HEX, 5/16 - 24	8	8
18	1017232	BOLT, HEX HEAD, 5/16 - 24 x 1	8	8
19	1011137	DRUM, BRAKE	2	2
20	0007174	WASHER, LOCK, 5/16 x 24	8	8
21	1018690-01	WASHER, CONE	8	8
22	1011779	CLIP, "E", 1/2	2	2

3
G
E



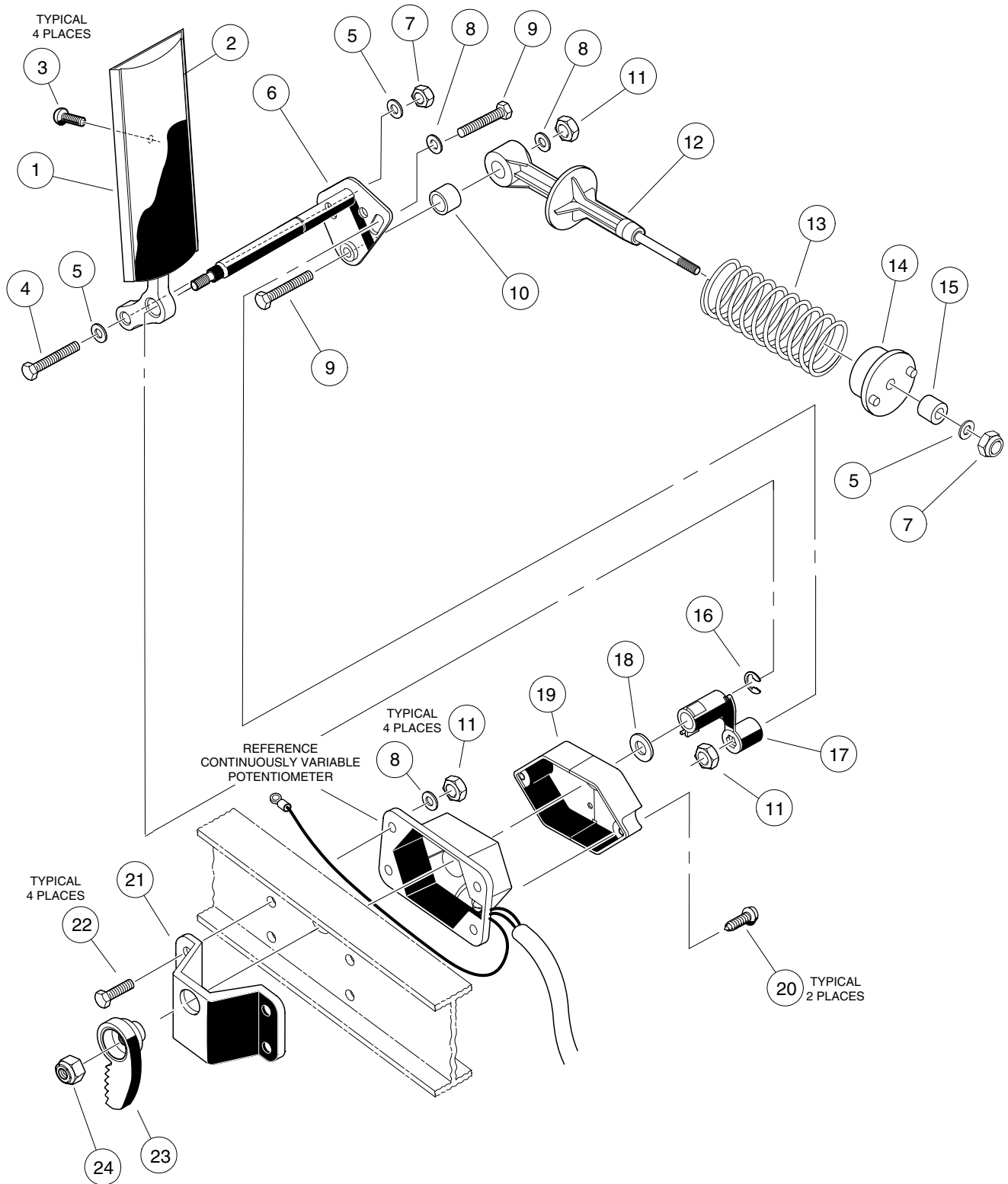
ACCELERATOR PEDAL ASSEMBLY GASOLINE VEHICLE

3

G

E

ITEM	PART NO.	DESCRIPTION	QTY GAS	QTY ELEC
		1 2 3 4		
1	1017696	SUB-ASSEMBLY, ACCELERATOR PEDAL (INCLUDES ITEMS 2 AND 3)	1	
2	1013871	PAD, PEDAL	1	
3	0007716	SCREW, SLOTTED HEX WASHER HEAD, #10 - 16 x 1/2	4	
4	0001218	SCREW, HEX CAP, 5/16 - 18 x 1 1/4	1	
5	0001241	WASHER, FLAT, 5/16	3	
6	1017325	ASSEMBLY, ACCELERATOR PIVOT ROD	1	
7	0007473	NUT, NYLON LOCK, 5/16 - 18	2	
8	0000332	WASHER, FLAT, 1/4	5	
9	1017424	BEARING, PIVOT SUPPORT	1	
10	0008717	NUT, NYLON LOCK, 1/4 - 28	1	
11	1018174-01	RETAINER, SPRING	1	
12	1017962-01	SPRING, RETURN	1	
13	1017378	CUP, SPRING	1	
14	1017380	BUMPER, RETURN SPRING	1	
15	1018260-01	RING, CRESCENT RETAINING (FOR VEHICLES PRIOR TO SERIAL NUMBER 9633-517738)	1	
16	0008233	NUT, NYLON LOCK, 1/4 - 20	4	
17	1018042-01	WASHER, PLASTIC, 1/2 (FOR VEHICLES PRIOR TO SERIAL NUMBER 9633-517738)	1	
18	1018188-01	STUD, BALL	1	
19	1016168	ASSEMBLY, ACCELERATOR ROD (CARRYALL I) (INCLUDES ITEMS 20 AND 21)	1	
19	1013233	ASSEMBLY, ACCELERATOR ROD (CARRYALL II) (INCLUDES ITEMS 20 AND 21)	1	
19	1018220-01	ASSEMBLY, ACCELERATOR ROD (CARRYALL II PLUS) (INCLUDES ITEMS 20 AND 21)	1	
19	1016747-02	ASSEMBLY, ACCELERATOR ROD (CARRYALL VI) (INCLUDES ITEMS 20 AND 21)	1	
20	1011084	NUT, UNF HEX JAM, 1/4 - 28	2	
21	1011734	JOINT, SPRING-LOADED BALL	2	
22	1011700	SPACER	1	
23	1011694	SUPPORT, ACCELERATOR PIVOT ROD	2	
24	1018619-01	SCREW, HEX CAP, 1/4 - 20 x 1 1/8	4	
25	0008754	NUT, NYLON LOCK, 3/8 x 16	1	
26	1017322	RATCHET, PARK BRAKE	1	



ACCELERATOR PEDAL ASSEMBLY ELECTRIC VEHICLE

3

G

E

ITEM	PART NO.	DESCRIPTION	QTY GAS	QTY ELEC
		1 2 3 4		
1	1017696	SUB-ASSEMBLY, ACCELERATOR PEDAL (INCLUDES ITEMS 2 AND 3)		1
2	1013871	PAD, PEDAL		1
3	0007716	SCREW, SLOTTED HEX WASHER HEAD, #10 - 16 x 1/2		4
4	0001218	SCREW, HEX CAP, 5/16 - 18 x 1 1/4		1
5	0001241	WASHER, FLAT, 5/16		3
6	1017325	ASSEMBLY, ACCELERATOR PIVOT ROD		1
7	0007473	NUT, NYLON LOCK, 5/16 - 18		2
8	0000332	WASHER, FLAT, 1/4		6
9	1018620-01	SCREW, HEX HEAD CAP, 1/4 - 20 x 1 3/8		2
10	1017424	BEARING, PIVOT SUPPORT		1
11	0008233	NUT, NYLON LOCK, 1/4 - 20		6
12	1018174-01	RETAINER, SPRING		1
13	1017962-01	SPRING, RETURN		1
14	1017378	CUP, SPRING		1
15	1017380	BUMPER, RETURN SPRING		1
16	1018260-01	RING, CRESCENT RETAINING		1
17	1017400	LEVER, ACTUATOR		1
18	1018042-01	WASHER, PLASTIC, 1/2		1
19	1017743	COVER, ACCELERATOR		1
20	1018043-01	SCREW, HI-LO HEX HEAD, #8 - 18 x 1/2		2
21	1011694	SUPPORT, ACCELERATOR PIVOT ROD		1
22	1018619-01	SCREW, HEX CAP, 1/4 - 20 x 1 1/8		4
23	1017322	RATCHET, PARK BRAKE		1
24	0008754	NUT, NYLON LOCK, 3/8 x 16		1

3

G

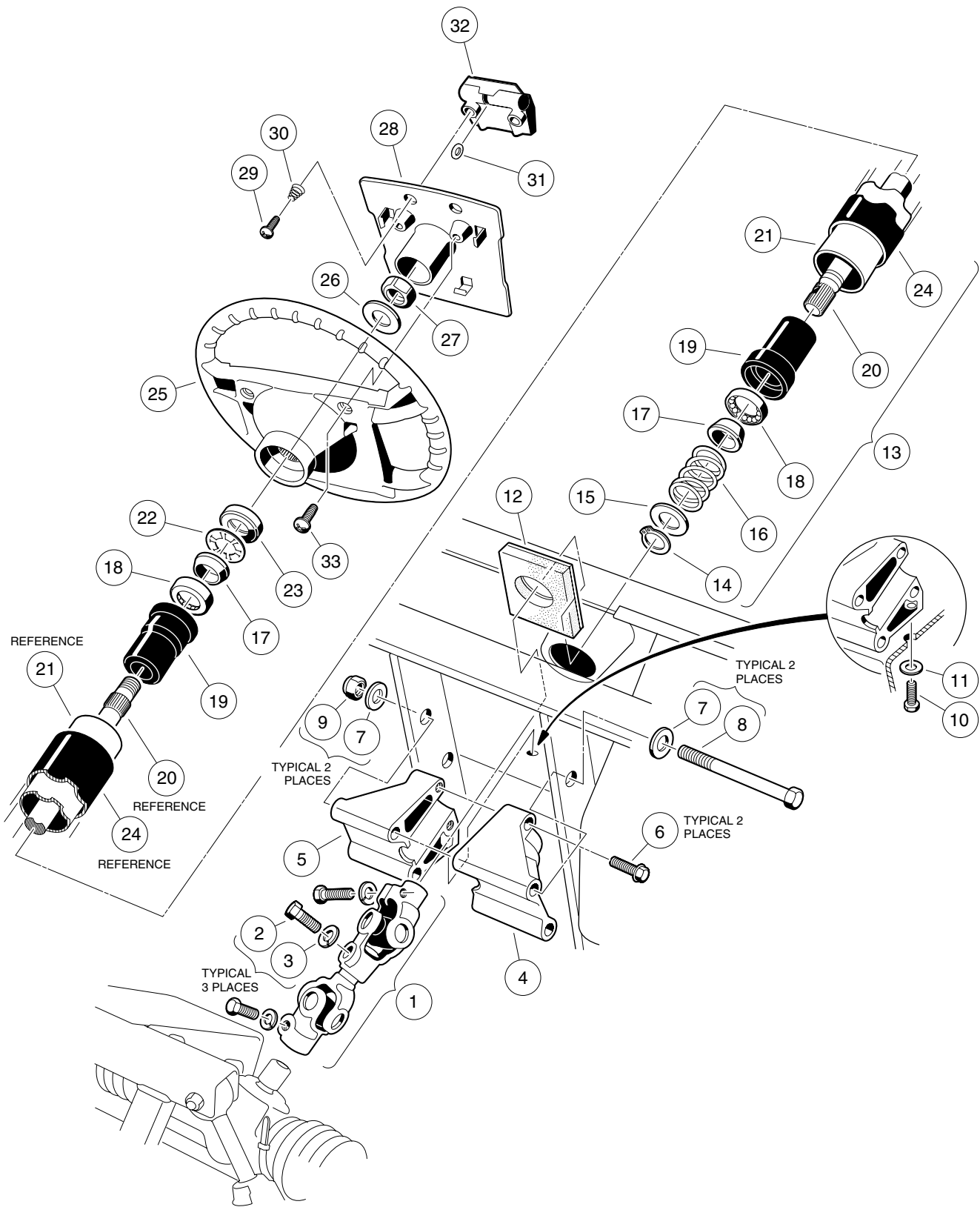
E

STEERING AND SUSPENSION

4

G

E



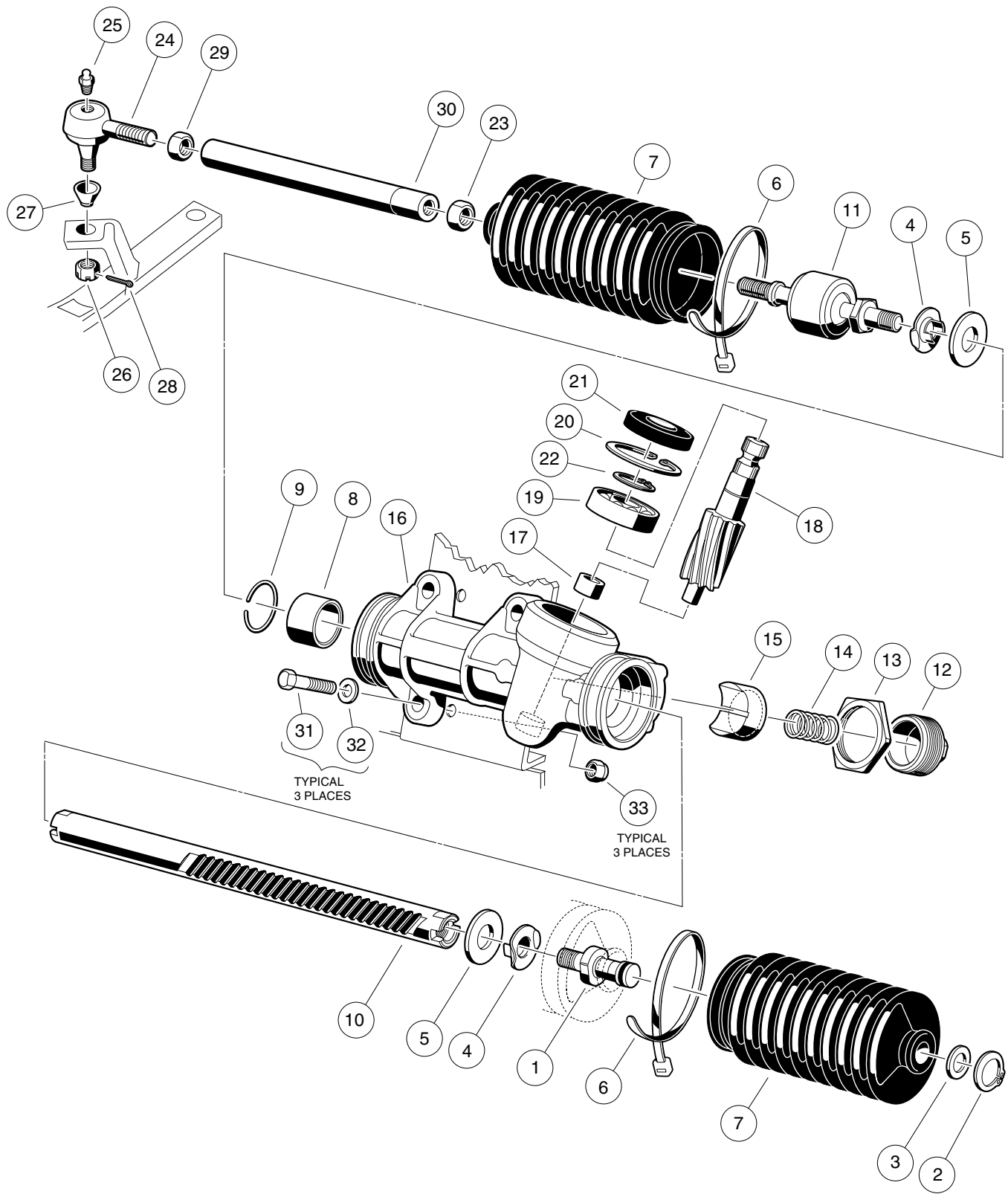
STEERING COLUMN

4

G

E

ITEM	PART NO.	DESCRIPTION	QTY GAS	QTY ELEC
		1 2 3 4		
1	1013861	JOINT, COMPOUND STEERING (INCLUDES ITEMS 2 AND 3)	1	1
2	1017226	SCREW, HEX HEAD CAP, M8 x 1.25 x 30MM	3	3
3	0007174	WASHER, LOCK, 5/16	3	3
4	1016185	MOUNT, STEERING COLUMN, LEFT HAND	1	1
5	1016184	MOUNT, STEERING COLUMN, RIGHT HAND	1	1
6	1016269	SCREW, HEX WASHER HEAD THREAD FORMING, 5/16 - 18 x 2	2	2
7	0000334	WASHER, FLAT, 3/8	4	4
8	1016183	SCREW, HEX HEAD CAP, 3/8 - 16 x 6 3/4	2	2
9	0008754	NUT, NYLON LOCK, 3/8 - 16	2	2
10	1014288	SCREW, HEX WASHER HEAD THREAD FORMING, 5/16 - 18 x 3/4	1	1
11	1011697	WASHER, FLAT, 5/16	1	1
12	1012499	BOOT, STEERING COLUMN	1	1
13	1016181	ASSEMBLY, STEERING COLUMN (INCLUDES ITEMS 14 - 23)	1	1
14	1012605	RING, RETAINING	1	1
15	1012604	WASHER, STEEL, 5/8	1	1
16	1014217	SPRING, COMPRESSION	1	1
17	1014125	WEDGE	2	2
18	1014213	ASSEMBLY, BEARING	2	2
19	1014126	SEAT, BEARING	2	2
20	1015545	SHAFT, STEERING COLUMN	1	1
21	1016622	COLUMN, ALUMINUM STEERING	1	1
22	1014214	RING, RETAINING	1	1
23	1014211	SEAL, BEARING	1	1
24	1016263	COVER, STEERING COLUMN	1	1
25	1016156	WHEEL, STEERING	1	1
26	1012604	WASHER, STEEL, 5/8	1	1
27	1017273	NUT, NYLON LOCK, 5/8 - 18	1	1
28	1016219	ASSEMBLY, SCORECARD PLATE (INCLUDES ITEMS 29 - 32)	1	1
29	1012565	SCREW, ROUND HEAD, #12 - 14 x 1	2	2
30	1012566	SPRING, TAPERED COMPRESSION	2	2
31	1016214	GRIP, PENCIL	2	2
32	1016154	CLIP, SCORE CARD	1	1
33	1010715	SCREW, PHILLIPS, #10 - 14 x 3/8	2	2



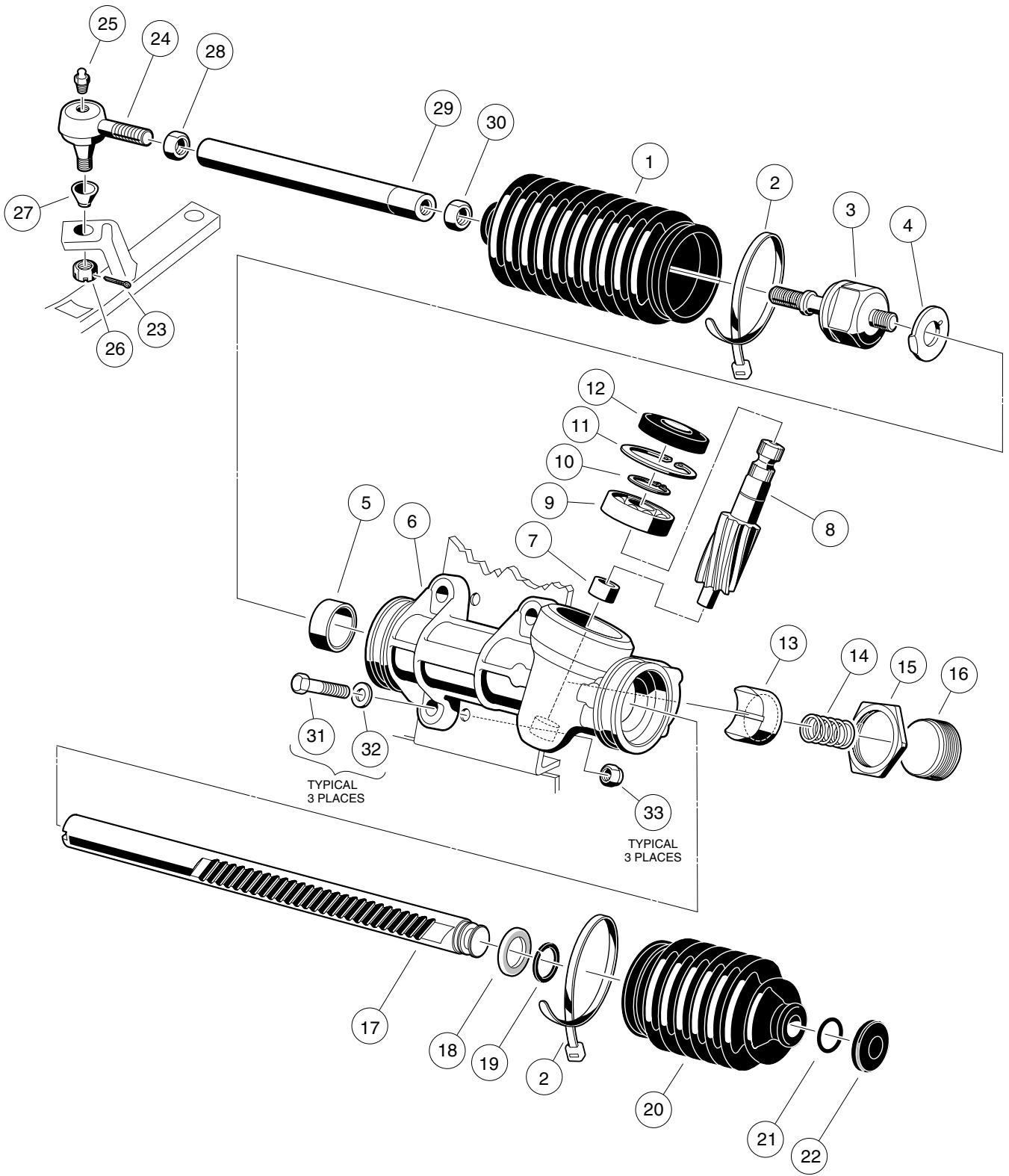
STEERING GEAR ASSEMBLY

4

G

E

ITEM	PART NO.	DESCRIPTION	QTY GAS	QTY ELEC
		1 2 3 4		
		FOR CARRYALL I VEHICLES AND CARRYALL II VEHICLES WITH 2-WHEEL BRAKING, PRIOR TO SERIAL NUMBER 9640-533437.		
		FOR CARRYALL II VEHICLES WITH 4-WHEEL BRAKING, CARRYALL II PLUS AND CARRYALL VI VEHICLES PRIOR TO SERIAL NUMBER 9633-517735.		
	1012452	ASSEMBLY, STEERING GEAR BOX (INCLUDES ITEMS 1 - 22)	1	1
1	1018309-01	KIT, STOPPER BOLT (INCLUDES ITEMS 2 AND 3)	1	1
2	N/A	RING, SNAP	1	1
3	N/A	WASHER, END	1	1
4	1013040	WASHER, LOCK, TIE ROD	2	2
5	1013039	WASHER, TIE ROD STOPPER	2	2
6	0008990	TIE WRAP	2	2
7	1013035	SEAL, DUST	2	2
8	1013036	BUSHING, RACK	1	1
9	1013037	RING, SNAP	1	1
10	N/A	RACK, STEERING	1	1
11	1013041	RACK, END	1	1
12	N/A	SCREW, RACK GUIDE	1	1
13	1013044	NUT, LOCK, RACK SCREW	1	1
14	1013045	SPRING, RACK GUIDE PRESSURE	1	1
15	1013046	GUIDE, STEERING RACK	1	1
16	N/A	BOX, STEERING GEAR	1	1
17	N/A	BEARING, LOWER PINION	1	1
18	N/A	PINION, STEERING	1	1
19	1012884	BEARING, UPPER PINION	1	1
20	1013051	RING, SNAP	1	1
21	1013052	SEAL, DUST, STEERING PINION	1	1
22	1013031	RING, EXTERNAL RETAINING	1	1
23	1013042	NUT, HEX, M12 x 1.75	1	1
24	0007540	BALL JOINT, LEFT HAND THREAD (INCLUDES ITEMS 25, 26 AND 27)	1	1
25	1015597	FITTING, THREAD FORM GREASE, 1/4 - 28	1	1
26	0007602	NUT, HEX SLOTTED, 3/8 - 24	1	1
27	1011930	BOOT, DUST	1	1
28	0001035	PIN, COTTER, 3/32 x 1	1	1
29	0007555	NUT, HEX, LEFT HAND THREAD, 1/2 - 20	1	1
30	1012467	LINK, RACK AND PINION DRAG	1	1
31	0001624	BOLT, HEX HEAD, 3/8 - 16 x 1 1/2	3	3
32	0000334	WASHER, FLAT, 3/8	3	3
33	1010138	NUT, DIMPLED LOCK, 3/8 - 16	3	3



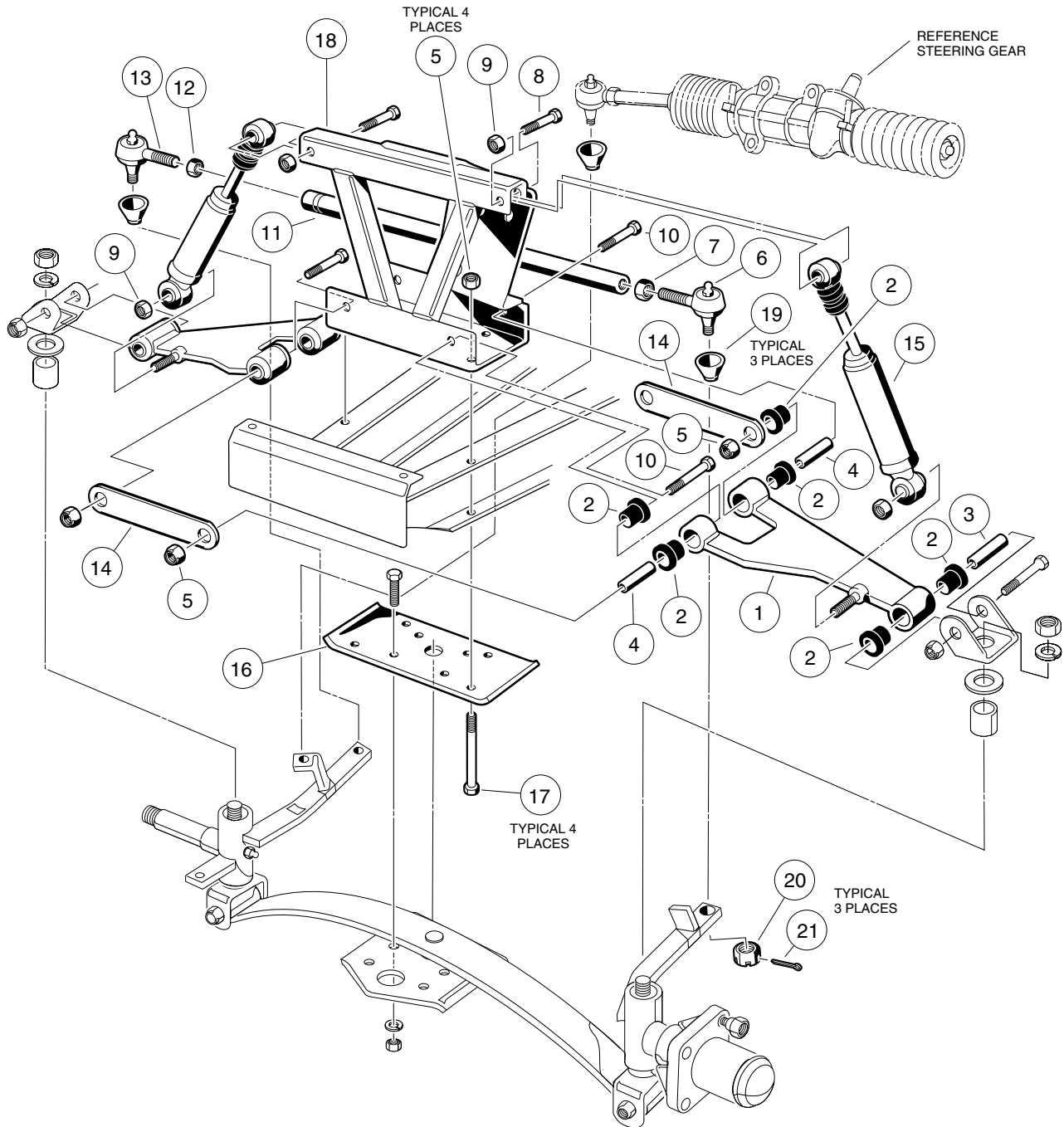
STEERING GEAR ASSEMBLY

4

G

E

ITEM	PART NO.	DESCRIPTION	QTY GAS	QTY ELEC
		1 2 3 4 FOR CARRYALL I VEHICLES AND CARRYALL II VEHICLES WITH 2-WHEEL BRAKING, SERIAL NUMBER 9640-533437 AND LATER. FOR CARRYALL II VEHICLES WITH 4-WHEEL BRAKING, CARRYALL II PLUS AND CARRYALL VI VEHICLES, SERIAL NUMBER 9633-517735 AND LATER.		
	1018783-02	ASSEMBLY, STEERING GEAR BOX (INCLUDES ITEMS 1 - 22)	1	1
1	1013035	SEAL, DUST, RIGHT	1	1
2	0008990	WRAP, TIE	2	2
3	1018802-01	ASSEMBLY, INNER BALL JOINT	1	1
4	1018803-01	WASHER, TAB	2	2
5	1013036	BUSHING, RACK	1	1
6	N/A	BOX, STEERING GEAR	1	1
7	N/A	BEARING, LOWER PINION	1	1
8	N/A	PINION, STEERING	1	1
9	1018794-01	BEARING, UPPER PINION	1	1
10	1018799-01	RING, C-TYPE STOP	1	1
11	1013051	RING, SNAP	1	1
12	1013052	SEAL, DUST, STEERING PINION	1	1
13	1018797-01	GUIDE, STEERING RACK	1	1
14	1018798-01	SPRING, YOKE	1	1
15	1013044	NUT, LOCK, RACK SCREW	1	1
16	N/A	SCREW, RACK GUIDE	1	1
17	N/A	RACK, STEERING	1	1
18	1018795-01	WASHER, STOP	2	2
19	1018796-01	RING, C-TYPE STOP	1	1
20	1018800-01	SEAL, DUST, LEFT	1	1
21	1018801-01	O-RING, DUST SEAL RETAINING	1	1
22	1019260-01	CAP, RACK END DUST	1	1
23	0001035	PIN, COTTER, 3/32 x 1	1	1
24	0007540	SOCKET, VERTICAL LEFT HAND THREAD (INCLUDES ITEMS 25, 26 AND 27)..	1	1
25	1015597	FITTING, THREAD FORMING GREASE, 1/4 - 28	1	1
26	0007602	NUT, HEX SLOTTED, 3/8 - 24	1	1
27	1011930	BOOT, DUST	1	1
28	0007555	NUT, HEX, LEFT HAND THREAD, 1/2 - 20	1	1
29	1012467	LINK, RACK AND PINION DRAG	1	1
30	1013042	NUT, HEX, M12 x 1.75	1	1
31	0001624	BOLT, HEX HEAD, 3/8 - 16 x 1 1/2	3	3
32	0000334	WASHER, FLAT, 3/8	3	3
33	1010138	NUT, DIMPLED LOCK, 3/8 - 16	3	3



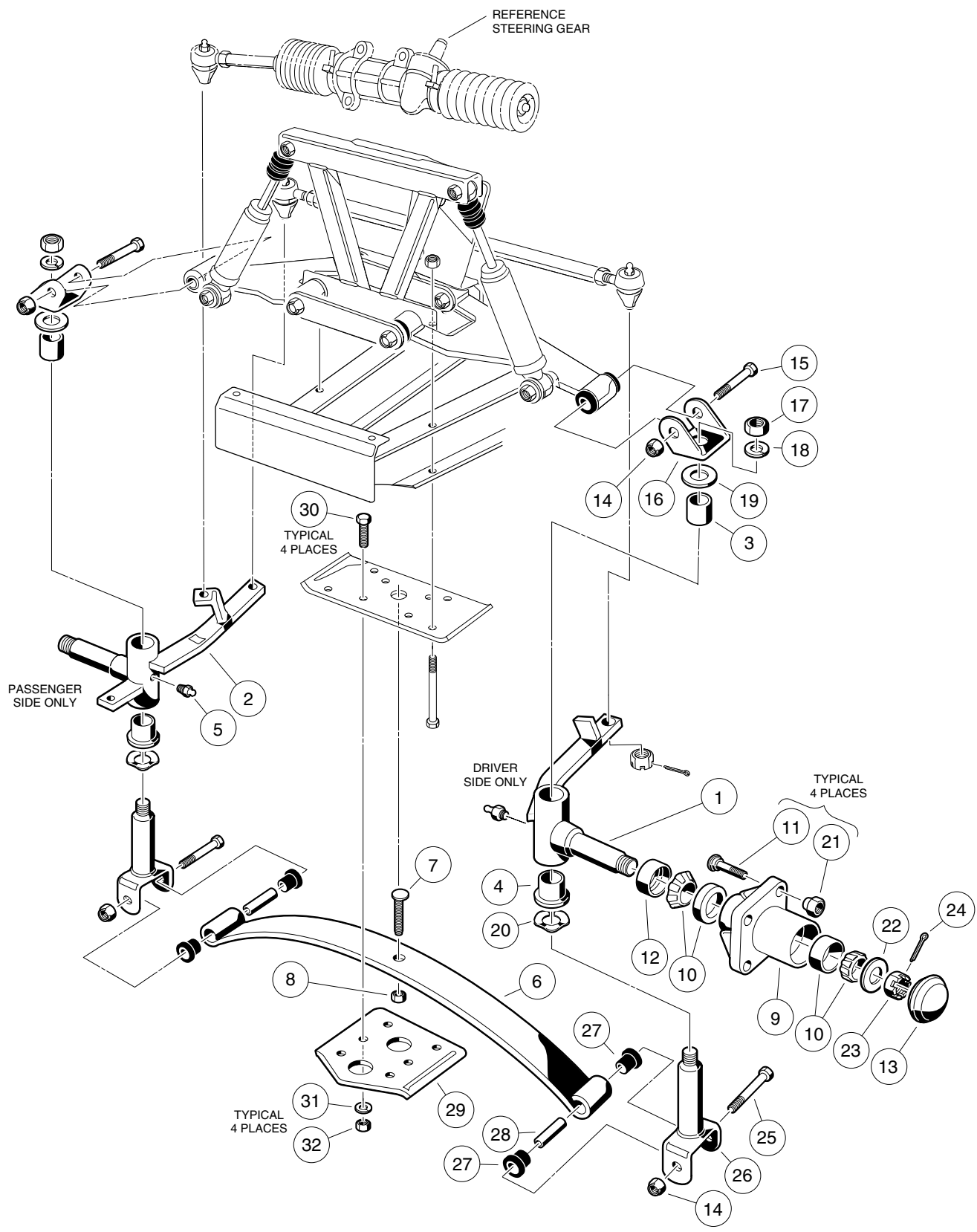
FRONT SUSPENSION, UPPER VEHICLES WITH 2-WHEEL BRAKING

4

G

E

ITEM	PART NO.	DESCRIPTION	QTY GAS	QTY ELEC
		1 2 3 4 FOR CARRYALL I VEHICLES. FOR CARRYALL II VEHICLES WITH 2-WHEEL BRAKING.		
1	1016353	ASSEMBLY, DELTA A-PLATE (INCLUDES ITEMS 2, 3 AND 4)	2	2
2	1016346	BUSHING, URETHANE	6	6
3	1016350	SLEEVE, DELTA OUTER	1	1
4	1016349	SLEEVE, DELTA INNER	2	2
5	0008754	NUT, NYLON LOCK, 3/8 - 16	8	8
6	0007539	BALL JOINT	1	1
7	0001308	NUT, HEX, 1/2 - 20	1	1
8	0001624	BOLT, HEX HEAD, 3/8 - 16 x 1 1/2	2	2
9	1010138	NUT, DIMPLED LOCK, 3/8 - 16	4	4
10	0002402	SCREW, HEX CAP, 3/8 - 16 x 2 1/4	4	4
11	1010219	ROD, TIE	1	1
12	0007555	NUT, HEX, LEFT HAND THREAD, 1/2 - 20	1	1
13	0007540	BALL JOINT, LEFT HAND THREAD	1	1
14	1017266	STRAP, A-PLATE	2	2
15	1014235	SHOCK ABSORBER, FRONT	2	2
16	1010124	PLATE, SPRING MOUNTING	1	1
17	1010200	BOLT, HEX HEAD, 3/8 - 16 x 4 1/4	4	4
18	1016385	ASSEMBLY, DELTA SHOCK AND GEAR SUPPORT	1	1
19	1011930	SEAL, DUST	3	3
20	0007602	NUT, SLOTTED HEX, 3/8 - 24	3	3
21	0001035	PIN, COTTER, 3/32 x 1	1	1



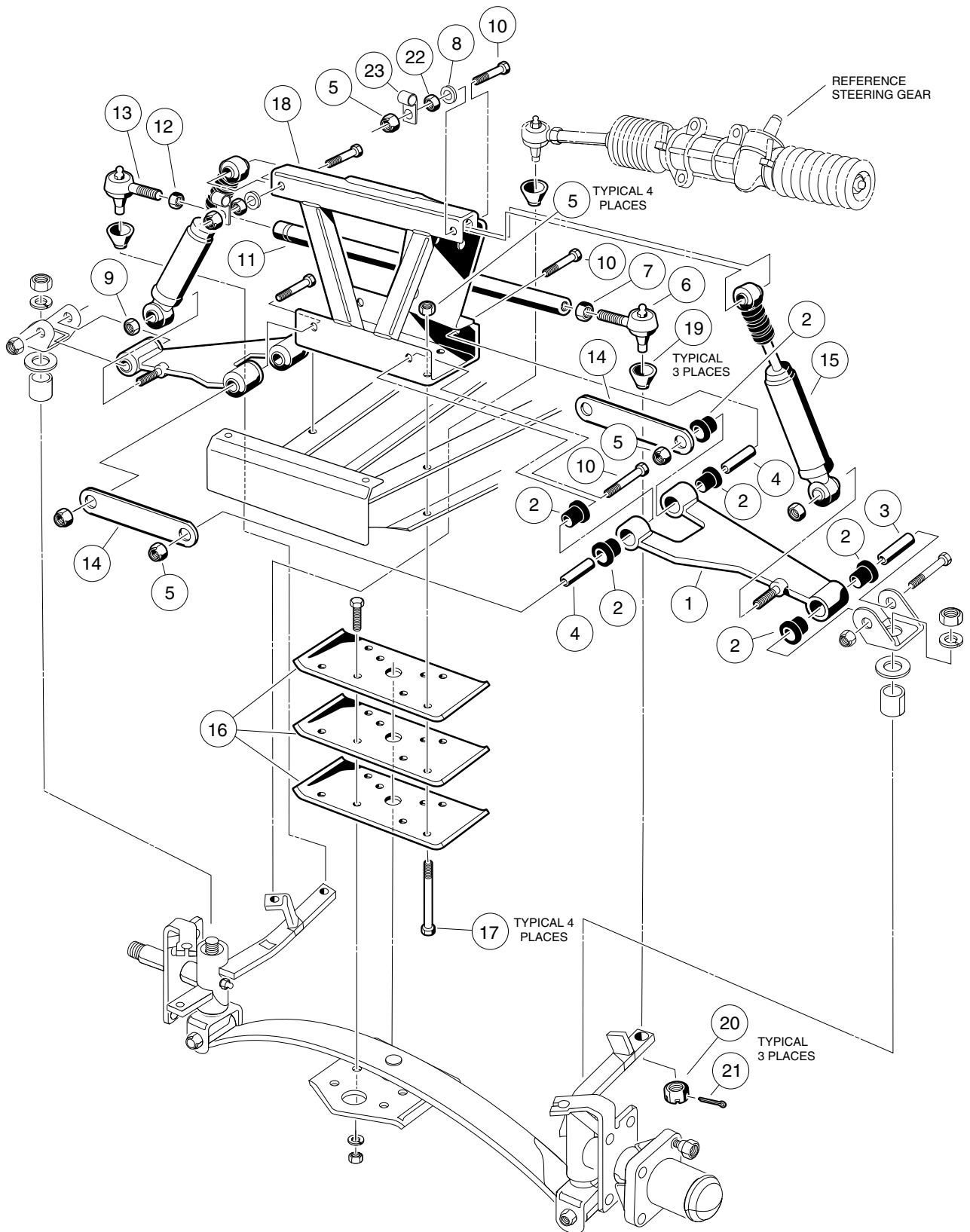
FRONT SUSPENSION, LOWER VEHICLES WITH 2-WHEEL BRAKING

4

G

E

ITEM	PART NO.	DESCRIPTION	QTY GAS	QTY ELEC
		1 2 3 4 FOR CARRYALL I VEHICLES. FOR CARRYALL II VEHICLES WITH 2-WHEEL BRAKING.		
1	1010348	ASSEMBLY, LEFT SPINDLE (INCLUDES ITEMS 3, 4 AND 5)	1	1
2	1010347	ASSEMBLY, RIGHT SPINDLE (INCLUDES ITEMS 3, 4 AND 5)	1	1
3	0008067	BUSHING, BRONZE SPINDLE	1	1
4	0007048	BUSHING, BRONZE	1	1
5	1015597	FITTING, GREASE, 1/4 - 28	1	1
6	1012030	SPRING, TAPERED LEAF	1	1
7	0008745	ASSEMBLY, ECCENTRIC	1	1
8	0000706	NUT, HEX, 3/8 - 16	1	1
9	1011892	ASSEMBLY, HUB (INCLUDES ITEMS 10 - 13)	2	2
10	1011393	PACKAGE, HUB BEARING	2	2
11	1011304	STUD, LUG, 1/2 - 20	4	4
12	1013135	SEAL, DOUBLE LIP	1	1
13	1011887	COVER, DUST	1	1
14	0008754	NUT, NYLON LOCK, 3/8 - 16	4	4
15	1016387	SCREW, HEX HEAD CAP, 3/8 - 16 x 2 3/4	2	2
16	1016384	CLEVIS, UPPER DELTA	2	2
17	0001308	NUT, HEX, 1/2 - 20	2	2
18	0000209	WASHER, SPLIT LOCK, 1/2	2	2
19	1010150	BEARING, THRUST	2	2
20	1016389	WASHER, KINGPIN WAVE	2	2
21	1010984	NUT, LUG	8	8
22	1010005	WASHER, FLAT, 3/4	2	2
23	0007840	NUT, HEX SLOTTED, 3/4 - 16	2	2
24	0007910	PIN, COTTER, 5/32 x 1	2	2
25	0008755	SCREW, HEX HEAD CAP, 3/8 - 16 x 3 3/8	2	2
26	1016386	KINGPIN	2	2
27	1015583	BUSHING, URETHANE	4	4
28	1012303	BUSHING, STEEL	2	2
29	1014276	PLATE, FRONT SPRING RETAINER	1	1
30	0001624	SCREW, HEX HEAD CAP, 3/8 - 16 x 1 1/2	4	4
31	0000357	WASHER, LOCK, 3/8	4	4
32	0000706	NUT, HEX, 3/8 - 16	4	4



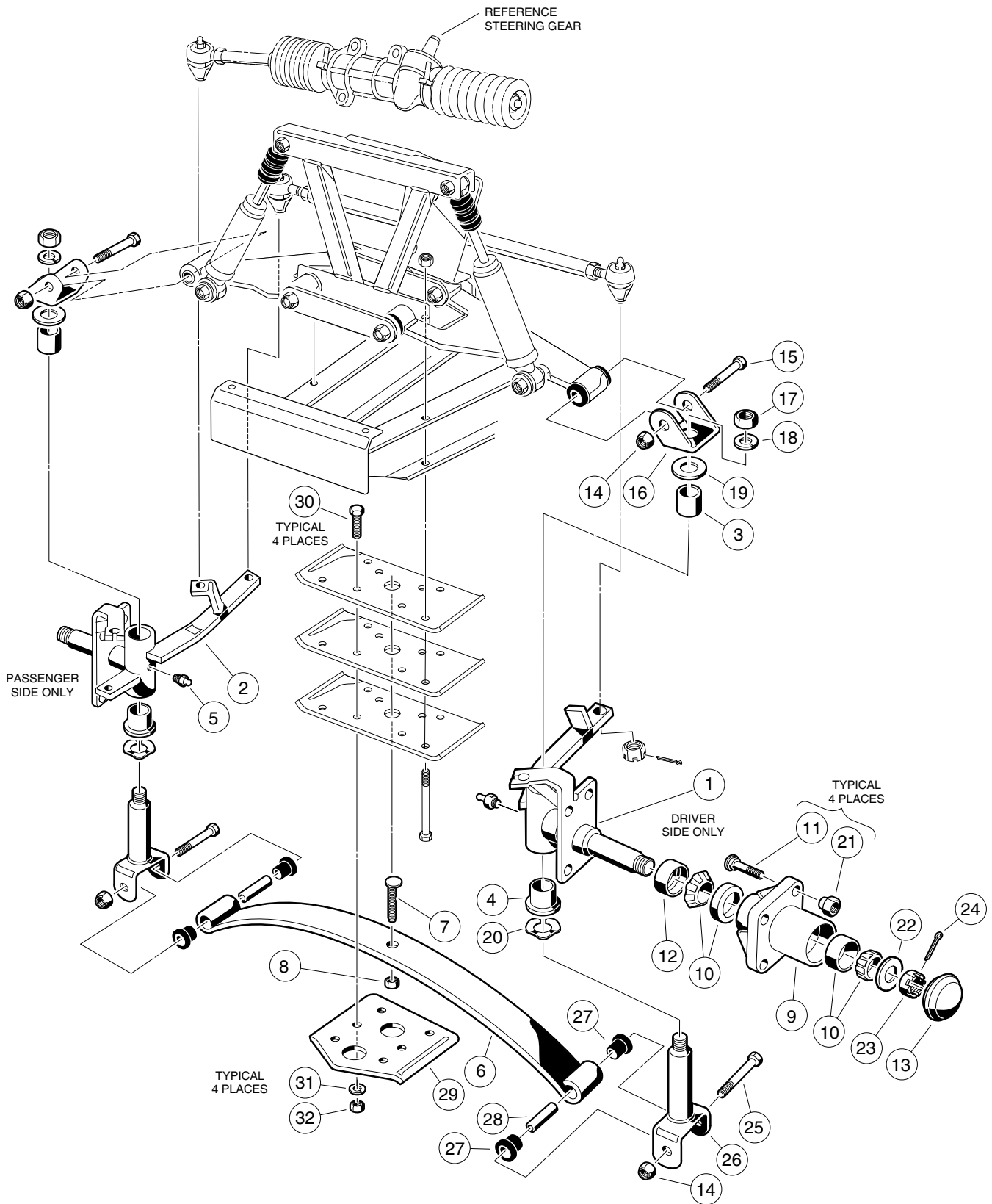
FRONT SUSPENSION, UPPER VEHICLES WITH 4-WHEEL BRAKING

4

G

E

ITEM	PART NO.	DESCRIPTION	QTY GAS	QTY ELEC
		1 2 3 4 FOR CARRYALL II VEHICLES WITH 4-WHEEL BRAKING. FOR CARRYALL II PLUS AND CARRYALL VI VEHICLES.		
1	1016353	ASSEMBLY, DELTA A-PLATE (INCLUDES ITEMS 2, 3 AND 4)	2	2
2	1016346	BUSHING, URETHANE	6	6
3	1016350	SLEEVE, DELTA OUTER	1	1
4	1016349	SLEEVE, DELTA INNER	2	2
5	0008754	NUT, NYLON LOCK, 3/8 - 16	10	10
6	0007539	BALL JOINT	1	1
7	0001308	NUT, HEX, 1/2 - 20	1	1
8	0000334	WASHER, FLAT, 3/8	2	2
9	1010138	NUT, DIMPLED LOCK, 3/8 - 16	2	2
10	0002402	BOLT, HEX HEAD, 3/8 - 16 x 2 1/4	6	6
11	1010219	ROD, TIE	1	1
12	0007555	NUT, HEX, LEFT HAND THREAD, 1/2 - 20	1	1
13	0007540	BALL JOINT, LEFT HAND THREAD	1	1
14	1017266	STRAP, A-PLATE	2	2
15	1018706-01	SHOCK ABSORBER, FRONT	2	2
16	1010124	PLATE, SPRING MOUNTING	3	3
17	1018705-01	BOLT, HEX HEAD, 3/8 - 16 x 4 3/4	4	4
18	1016385	ASSEMBLY, DELTA SHOCK AND GEAR SUPPORT	1	1
19	1011930	SEAL, DUST	3	3
20	0007602	NUT, SLOTTED HEX, 3/8 - 24	3	3
21	0001035	PIN, COTTER, 3/32 x 1	1	1
22	0000706	NUT, HEX, 3/8 - 16	2	2
23	N/A	CLAMP, BRAKE CABLE (PART OF BRAKE CABLE ASSEMBLY)	2	2



FRONT SUSPENSION, LOWER VEHICLES WITH 4-WHEEL BRAKING

4

G

E

ITEM	PART NO.	DESCRIPTION	QTY GAS	QTY ELEC
		1 2 3 4 FOR CARRYALL II VEHICLES WITH 4-WHEEL BRAKING. FOR CARRYALL II PLUS AND CARRYALL VI VEHICLES.		
1	1018769-01	ASSEMBLY, LEFT SPINDLE (INCLUDES ITEMS 3, 4 AND 5)	1	1
2	1018770-01	ASSEMBLY, RIGHT SPINDLE (INCLUDES ITEMS 3, 4 AND 5)	1	1
3	0008067	BUSHING, BRONZE SPINDLE	1	1
4	0007048	BUSHING, BRONZE	1	1
5	1015597	FITTING, GREASE, 1/4 - 28	1	1
6	1012030	SPRING, TAPERED LEAF	1	1
7	0008745	ASSEMBLY, ECCENTRIC	1	1
8	0000706	NUT, HEX, 3/8 - 16	1	1
9	1011892	ASSEMBLY, HUB (INCLUDES ITEMS 10 - 13)	2	2
10	1011393	PACKAGE, HUB BEARING	2	2
11	1011304	STUD, LUG, 1/2 - 20	4	4
12	1013135	SEAL, DOUBLE LIP	1	1
13	1011887	COVER, DUST	1	1
14	0008754	NUT, NYLON LOCK, 3/8 - 16	4	4
15	1016387	SCREW, HEX HEAD CAP, 3/8 - 16 x 2 3/4	2	2
16	1016384	CLEVIS, UPPER DELTA	2	2
17	0001308	NUT, HEX, 1/2 - 20	2	2
18	0000209	WASHER, SPLIT LOCK, 1/2	2	2
19	1010150	BEARING, THRUST	2	2
20	1016389	WASHER, KINGPIN WAVE	2	2
21	1010984	NUT, LUG	8	8
22	1010005	WASHER, FLAT, 3/4	2	2
23	0007840	NUT, HEX SLOTTED, 3/4 - 16	2	2
24	0007910	PIN, COTTER, 5/32 x 1	2	2
25	0008755	SCREW, HEX HEAD CAP, 3/8 - 16 x 3 3/8	2	2
26	1016386	KINGPIN	2	2
27	1015583	BUSHING, URETHANE	4	4
28	1012303	BUSHING, STEEL	2	2
29	1014276	PLATE, FRONT SPRING RETAINER	1	1
30	1010177	SCREW, HEX HEAD CAP, 3/8 - 16 x 2	4	4
31	0000357	WASHER, LOCK, 3/8	4	4
32	0000706	NUT, HEX, 3/8 - 16	4	4

4

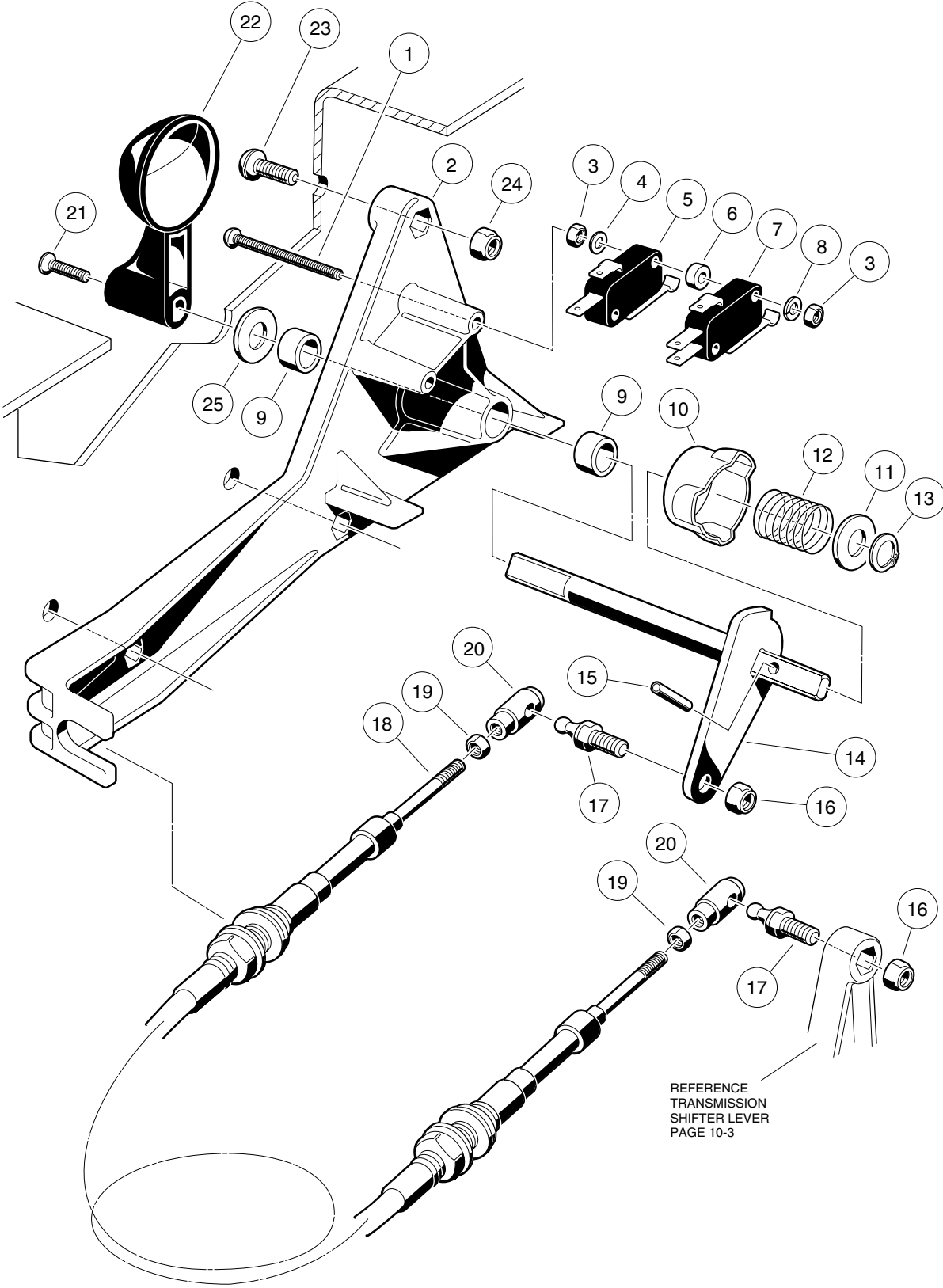
G

E

ELECTRICAL SYSTEM GASOLINE VEHICLE

5

G



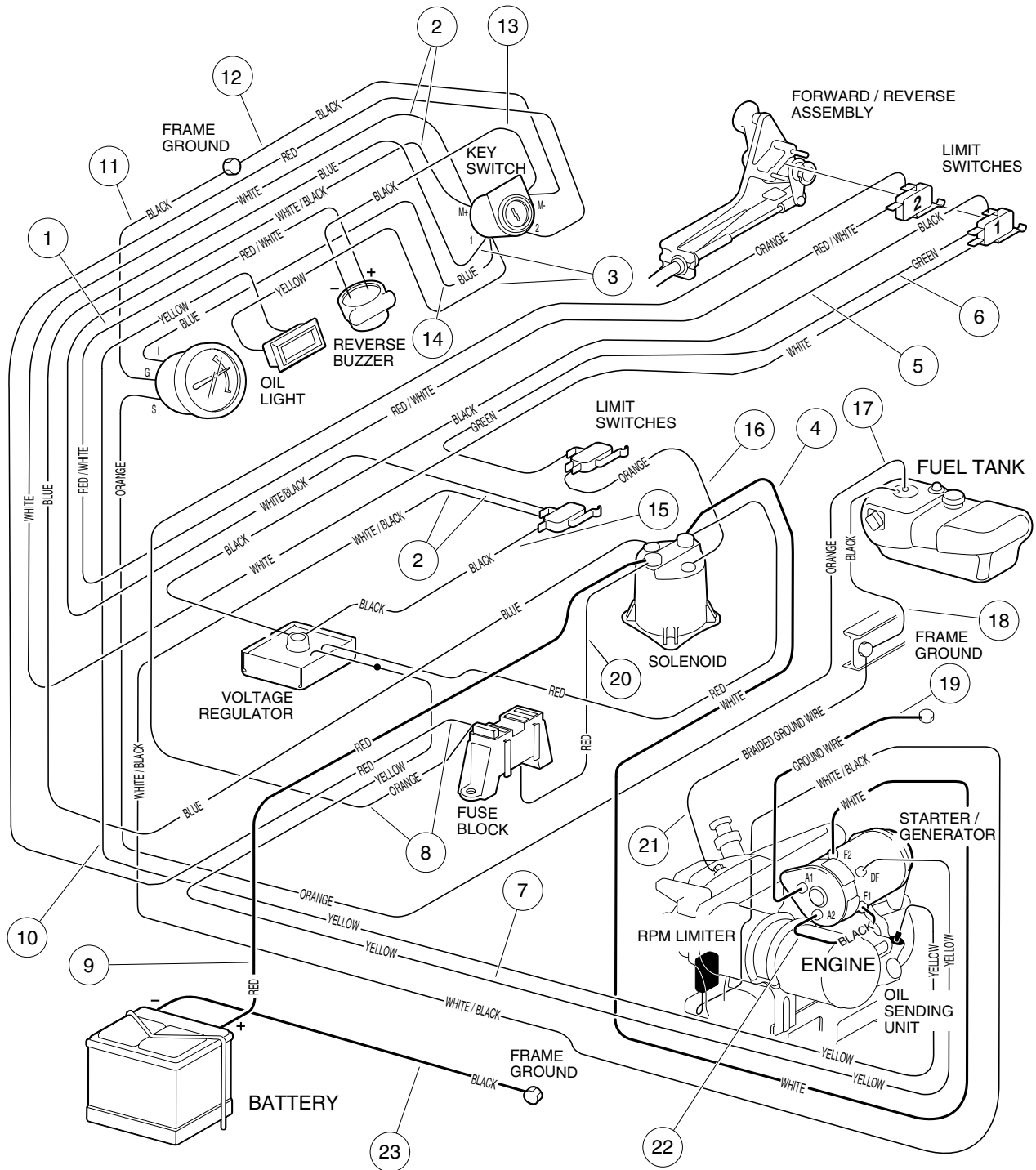
REFERENCE
TRANSMISSION
SHIFTER LEVER
PAGE 10-3

FORWARD AND REVERSE SHIFTER ASSEMBLY GASOLINE VEHICLE

5

G

ITEM	PART NO.	DESCRIPTION	QTY
		1 2 3 4	
	1016947	ASSEMBLY, F & R SHIFTER (INCLUDES ITEMS 1 - 17)	1
1	1012594	SCREW, MACHINE, #4 - 40 x 1 1/2	2
2	1016342	BASE, F & R SHIFTER	1
3	0008057	NUT, HEX HEAD, #4 - 40	4
4	1012431	WASHER, FLAT, #4	2
5	1014808	SWITCH, LIMIT	1
6	1014727	WASHER, NYLON FLAT, #4	2
7	1014807	SWITCH, LIMIT	1
8	0008058	WASHER, LOCK, #4	2
9	1014145	BUSHING, BRONZE	2
10	1014089	KIT, NEUTRAL LOCK-OUT CAM (INCLUDES ITEM 11)	1
11	1014065	WASHER, FLAT	1
12	1013590	SPRING, F & R CAM	1
13	1013589	RING, RETAINING	1
14	1013587	WELDMENT, F & R BELL CRANK	1
15	1013591	PIN, ROLL, 1/8	1
16	0008717	NUT, NYLON LOCK, 1/4 - 28	2
17	1010954	STUD, BALL, 1/4 - 28 x 1/4	2
18	1013085	CABLE, TRANSMISSION (INCLUDES ITEMS 19 AND 20) (CARRYALL I ONLY)	1
18	1015409	CABLE, TRANSMISSION (INCLUDES ITEMS 19 AND 20) (CARRYALL II AND II PLUS) ...	1
18	1016727-01	CABLE, TRANSMISSION (INCLUDES ITEMS 19 AND 20) (CARRYALL VI ONLY)	1
19	0007893	NUT, HEX, #10 - 32	2
20	1012333	JOINT, BALL	2
21	1013198	SCREW, PHILLIPS OVAL COUNTERSUNK MACHINE, #8 - 32 x 5/8	1
22	1012987	HANDLE, F & R SWITCH	1
23	0008248	SCREW, PHILLIPS TRUSS HEAD, 1/4 - 20 x 3/4	4
24	0008233	NUT, NYLON LOCK, 1/4 - 20	4
25	1014065	WASHER, FLAT	1

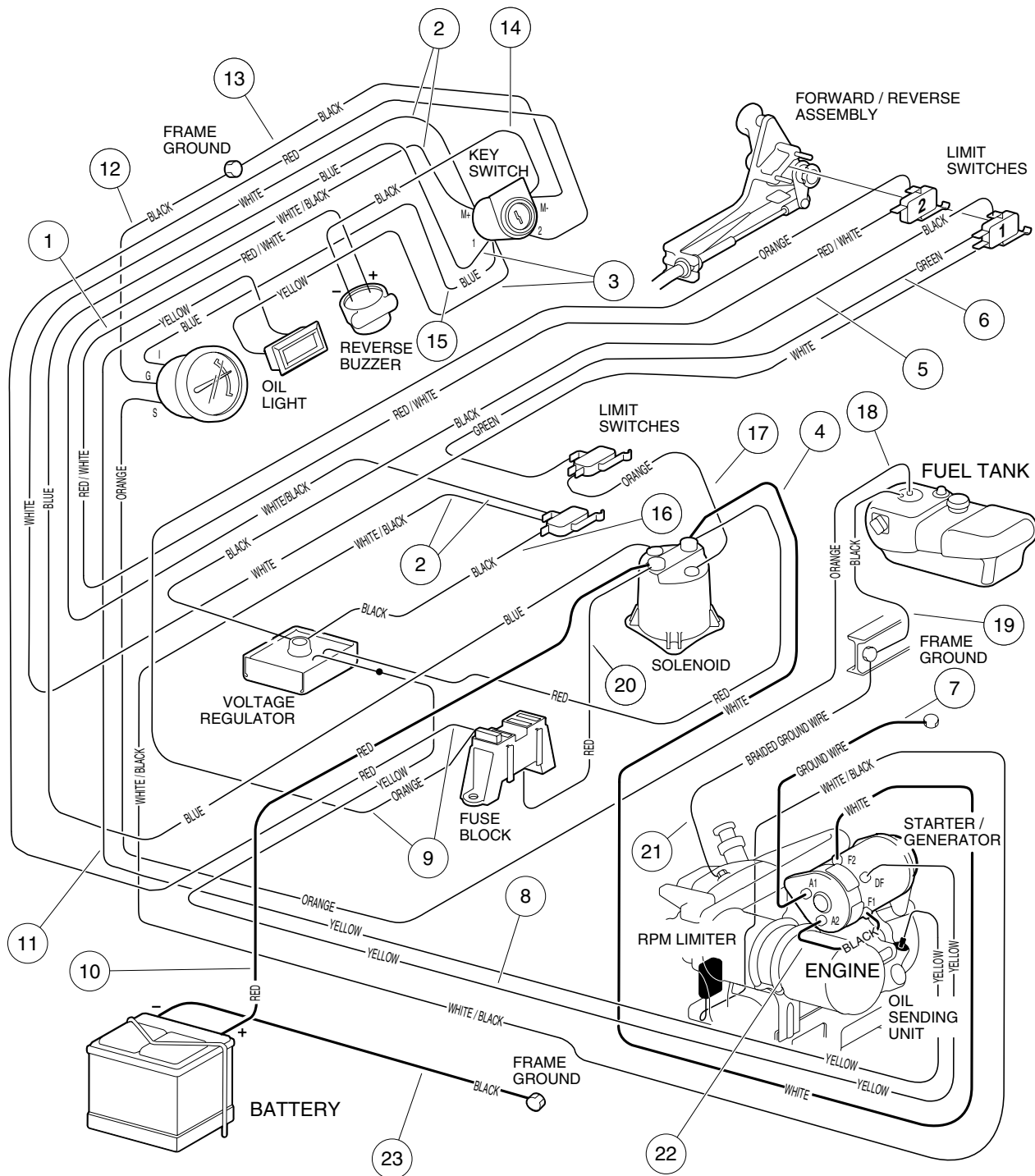


WIRING, GASOLINE VEHICLE - CARRYALL I

5

G

ITEM	PART NO.	DESCRIPTION	QTY
		1 2 3 4	
	1015735	WIRE HARNESS ASSEMBLY (INCLUDES ITEMS 1 - 10)	1
1	1013723	WIRE ASSEMBLY, #18 RED/WHITE	1
2	1015781	WIRE ASSEMBLY, #18 WHITE, #18 WHITE/BLACK	1
3	1013601	WIRE ASSEMBLY, #18 YELLOW, #16 BLUE	1
4	1015769	WIRE ASSEMBLY, #6 WHITE	1
5	1015780	WIRE ASSEMBLY, #18 BLACK	1
6	1015779	WIRE ASSEMBLY, #18 GREEN	1
7	1015738	WIRE ASSEMBLY, #16 YELLOW	1
8	1018282-01	WIRE ASSEMBLY, #16 RED, #16 ORANGE	1
9	1014119	WIRE ASSEMBLY, #6 RED	1
10	1015740	WIRE ASSEMBLY, #18 YELLOW	1
11	1013469	WIRE ASSEMBLY, #18 BLACK	1
12	1012396	WIRE ASSEMBLY, #18 BLACK	1
13	1016857	WIRE ASSEMBLY, #18 BLACK (PART OF REVERSE BUZZER KIT)	1
14	1013463	WIRE ASSEMBLY, #18 BLUE	1
15	1016402	WIRE ASSEMBLY, #18 BLACK (PART OF ELECTRICAL COMPONENT BOX)	1
16	1016401	WIRE ASSEMBLY, #18 ORANGE (PART OF ELECTRICAL COMPONENT BOX)	1
17	1015035	WIRE ASSEMBLY, #18 ORANGE	1
18	1015921	WIRE ASSEMBLY, #18 BLACK	1
19	1015920	WIRE ASSEMBLY, #6 BRAIDED GROUND	1
20	1015737	WIRE ASSEMBLY, #10 RED (PART OF ELECTRICAL COMPONENT BOX)	1
21	1015332	WIRE ASSEMBLY, #10 BRAIDED GROUND	1
22	1012384	WIRE ASSEMBLY, #6 BLACK	1
23	1012382	WIRE ASSEMBLY, #6 BLACK	1

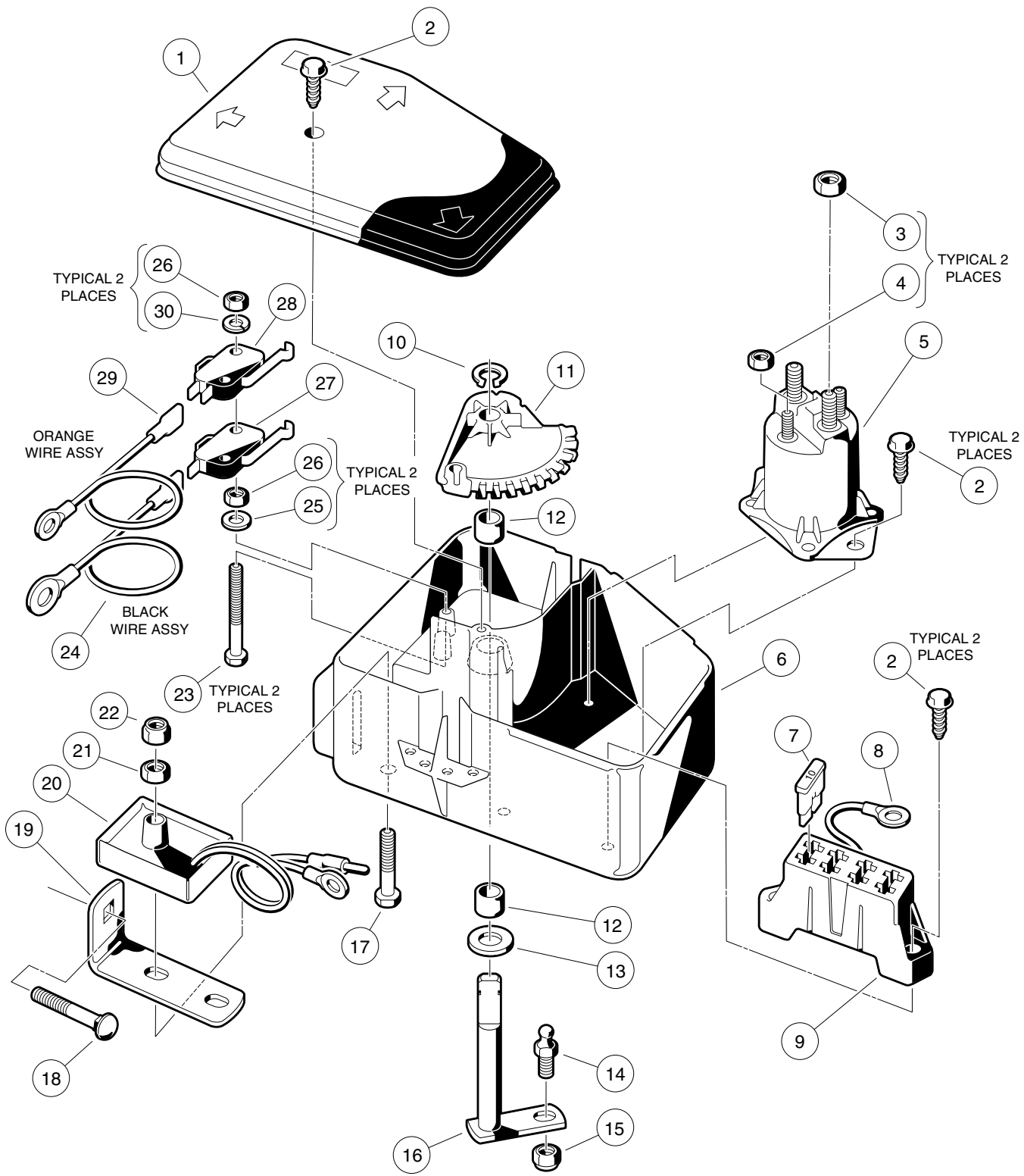


WIRING, GASOLINE VEHICLE - CARRYALL II

5

G

ITEM	PART NO.	DESCRIPTION	QTY
		1 2 3 4	
	1016299	WIRE HARNESS ASSEMBLY (INCLUDES ITEMS 1 - 11)	1
1	1016404	WIRE ASSEMBLY, #16 RED/WHITE	1
2	1016292	WIRE ASSEMBLY, #18 WHITE, #18 WHITE/BLACK	1
3	1016295	WIRE ASSEMBLY, #18 YELLOW, #16 BLUE	1
4	1015769	WIRE ASSEMBLY, #6 WHITE	1
5	1016297	WIRE ASSEMBLY, #16 BLACK	1
6	1016298	WIRE ASSEMBLY, #16 GREEN	1
7	1016380	WIRE ASSEMBLY, #6 BRAIDED GROUND	1
8	1015738	WIRE ASSEMBLY, #16 YELLOW	1
9	1018282-02	WIRE ASSEMBLY, #16 RED, #16 ORANGE	1
10	1014119	WIRE ASSEMBLY, #6 RED	1
11	1016294	WIRE ASSEMBLY, #16 YELLOW	1
12	1013469	WIRE ASSEMBLY, #18 BLACK	1
13	1012396	WIRE ASSEMBLY, #18 BLACK	1
14	1016857	WIRE ASSEMBLY, #18 BLACK (PART OF REVERSE BUZZER KIT)	1
15	1013463	WIRE ASSEMBLY, #18 BLUE	1
16	1016402	WIRE ASSEMBLY, #18 BLACK (PART OF ELECTRICAL COMPONENT BOX)	1
17	1016401	WIRE ASSEMBLY, #18 ORANGE (PART OF ELECTRICAL COMPONENT BOX)	1
18	1015035	WIRE ASSEMBLY, #18 ORANGE	1
19	1015921	WIRE ASSEMBLY, #18 BLACK	1
20	1015737	WIRE ASSEMBLY, #10 RED (PART OF ELECTRICAL COMPONENT BOX)	1
21	1015332	WIRE ASSEMBLY, #10 BRAIDED GROUND	1
22	1012384	WIRE ASSEMBLY, #6 BLACK	1
23	1012382	WIRE ASSEMBLY, #6 BLACK	1

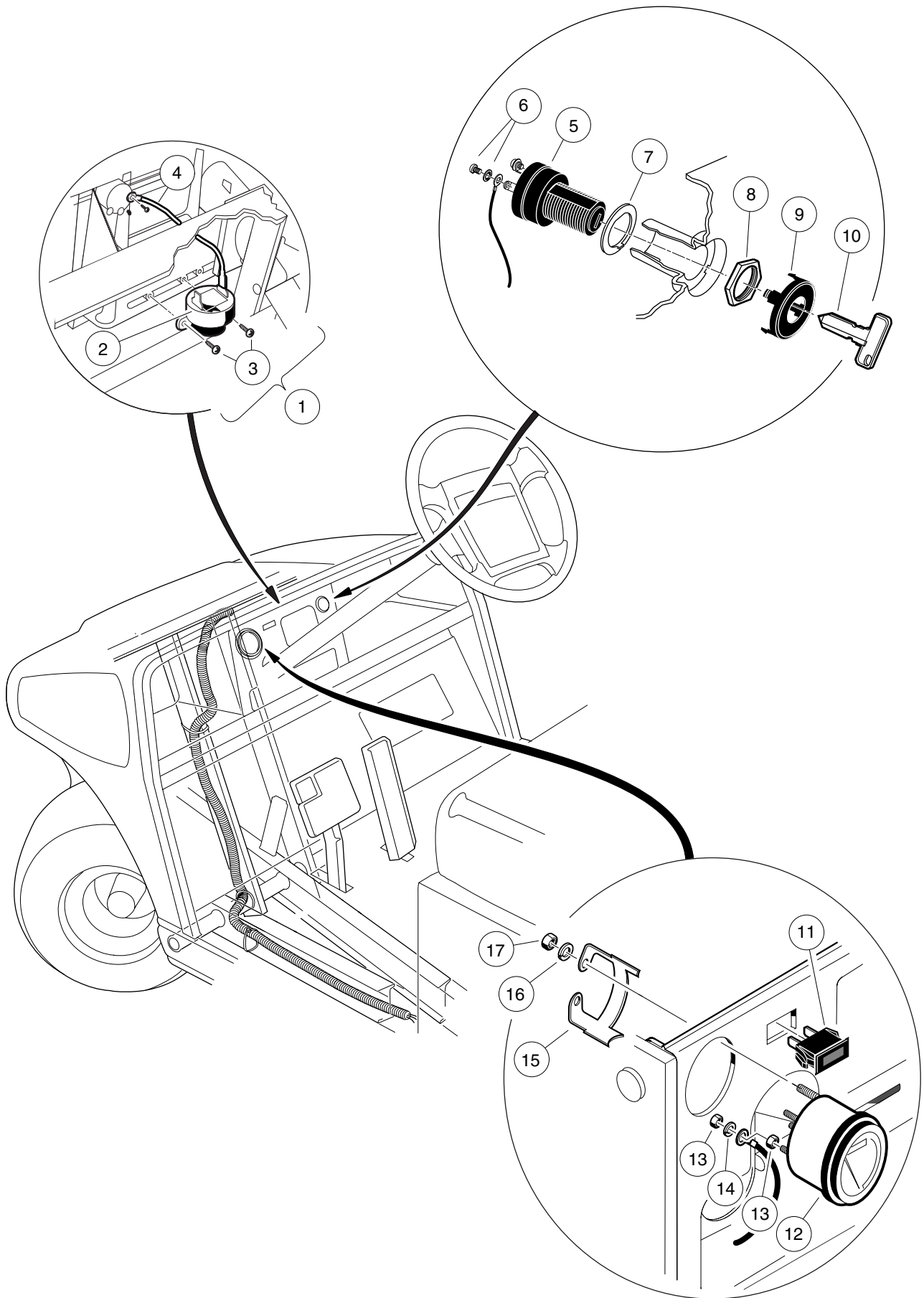


ELECTRICAL COMPONENT BOX, GASOLINE VEHICLE CARRYALL I AND CARRYALL II

5

G

ITEM	PART NO.	DESCRIPTION	QTY
		1 2 3 4	
	1018276-01	BOX, ELECTRICAL COMPONENT, COMPLETE (INCLUDES ITEMS 1 - 30 AND 1015735 - SEE PAGE 5-5) (CARRYALL I ONLY)	1
	1018276-02	BOX, ELECTRICAL COMPONENT, COMPLETE (INCLUDES ITEMS 1 - 30 AND 1016299 - SEE PAGE 5-7) (CARRYALL II ONLY)	1
1	1015372	COVER, ELECTRICAL COMPONENT BOX	1
2	1015752	SCREW, HILO, #12 - 16 x 5/8	5
3	0001242	NUT, HEX, 5/16 - 18	2
4	0007893	NUT, HEX, #10 - 32	2
5	1013609	SOLENOID, 12 VOLT	1
6	1015371	BOX, ELECTRICAL COMPONENT	1
7	1012295	FUSE, 10 AMP	1
8	1015737	WIRE ASSEMBLY, #10 RED	1
9	1015741	BLOCK, FUSE	1
10	1013589	RING, RETAINING	1
11	1015373	CAM, ELECTRICAL BOX	1
12	1014145	BUSHING, BRONZE	2
13	1014065	WASHER, FLAT	1
14	1010954	STUD, BALL, 1/4 - 28	1
15	0008717	NUT, NYLON LOCK , 1/4 - 28	1
16	1018213-01	ASSEMBLY, BELL CRANK SHAFT (CARRYALL I ONLY)	1
16	1015345	ASSEMBLY, BELL CRANK SHAFT (CARRYALL II ONLY)	1
17	1013509	SCREW, HEX HEAD CAP, 1/4 - 20 x 1 3/4	1
18	1015405	BOLT, CARRIAGE, 5/16 - 18 x 2	1
19	1015343	STRAP, GROUND	1
20	1015777	ASSEMBLY, VOLTAGE REGULATOR	1
21	1015919	NUT, HEX JAM, 1/4 - 20	1
22	0008233	NUT, NYLON LOCK, 1/4 - 20	1
23	1015878	SCREW, HEX HEAD MACHINE, #4 - 40 x 1 5/8	2
24	1016402	WIRE ASSEMBLY, #16 BLACK	1
25	1012431	WASHER, FLAT, #4	2
26	0008057	NUT, HEX, #4 - 40	4
27	1014808	SWITCH, LIMIT	1
28	1014807	SWITCH, LIMIT	1
29	1016401	WIRE ASSEMBLY, #16 ORANGE	1
30	0008058	WASHER, LOCK, #4	2



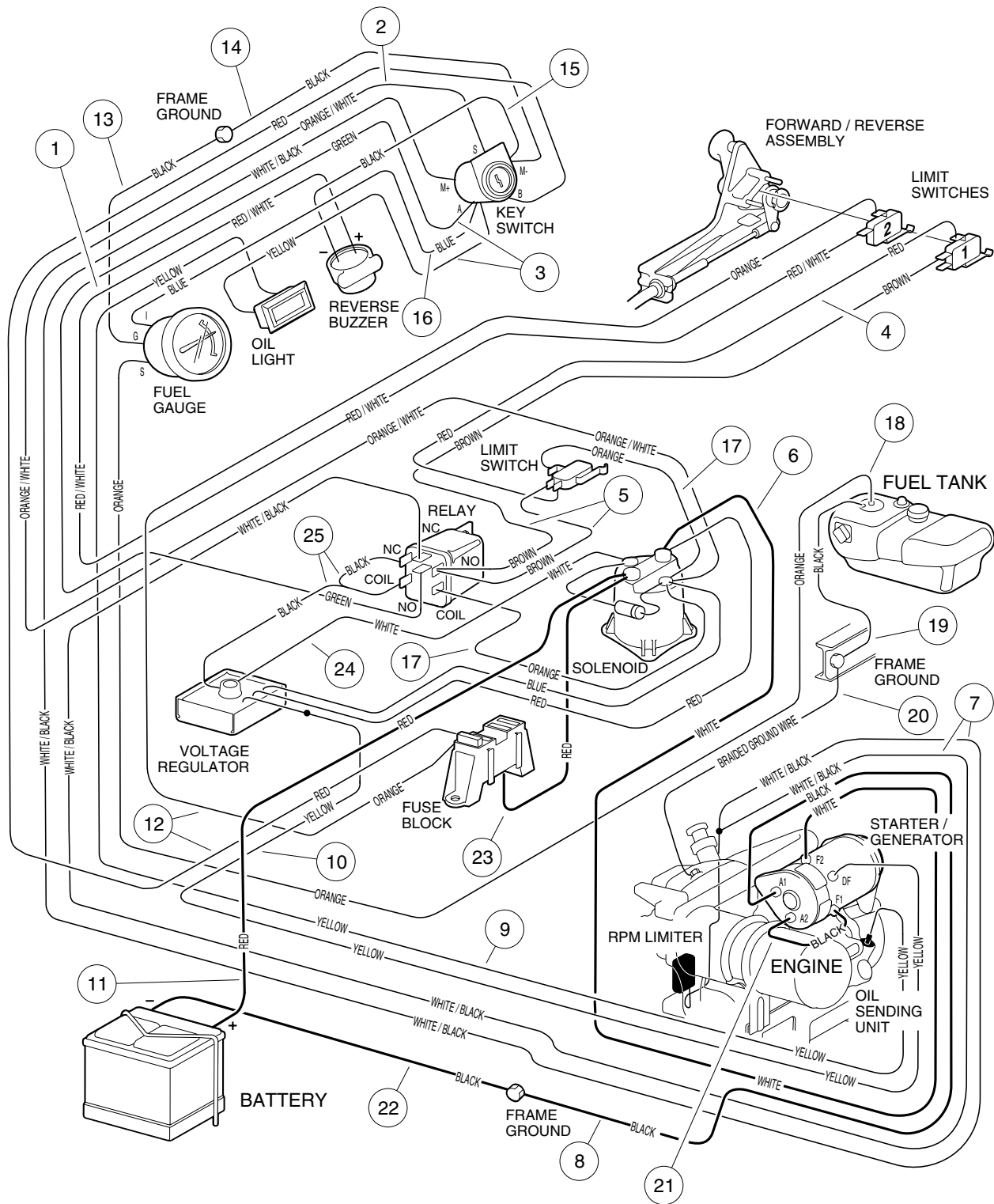
ELECTRICAL COMPONENTS

GASOLINE VEHICLE - CARRYALL I, II AND II PLUS

5

G

ITEM	PART NO.	DESCRIPTION	QTY
		1 2 3 4	
1	1016859	KIT, REVERSE BUZZER (INCLUDES ITEMS 2, 3 AND 4)	1
2	1016851	BUZZER, REVERSE	1
3	1016849	SCREW, PAN HEAD HILO, #4 - 24 x 5/16	2
4	1016857	WIRE ASSEMBLY, #18 BLACK	1
5	1018263-01	SWITCH, KEY (CARRYALL I AND II)	1
5	1018264-01	SWITCH, KEY (CARRYALL II PLUS ONLY)	1
6	1018306-01	ASSEMBLY, SCREW AND WASHER (QUANTITY OF 5 FOR CARRYALL II PLUS)	4
7	1018511-01	WASHER	1
8	1018307-01	NUT, KEY SWITCH	1
9	1018345-02	CAP, KEY SWITCH	1
10	1012505	KEY (PAIR)	1
11	1016630	LIGHT, OIL WARNING (WITH INTERNAL RESISTOR)	1
12	1015103	GAUGE, FUEL (INCLUDES ITEMS 13 AND 14)	1
13	N/A	NUT, BRASS	6
14	N/A	WASHER, EXTERNAL TOOTH LOCK	3
15	1015104	BRACKET, FUEL GAUGE	1
16	1011610	WASHER, LOCK, #8	2
17	1011571	NUT, HEX, #8 - 32	2

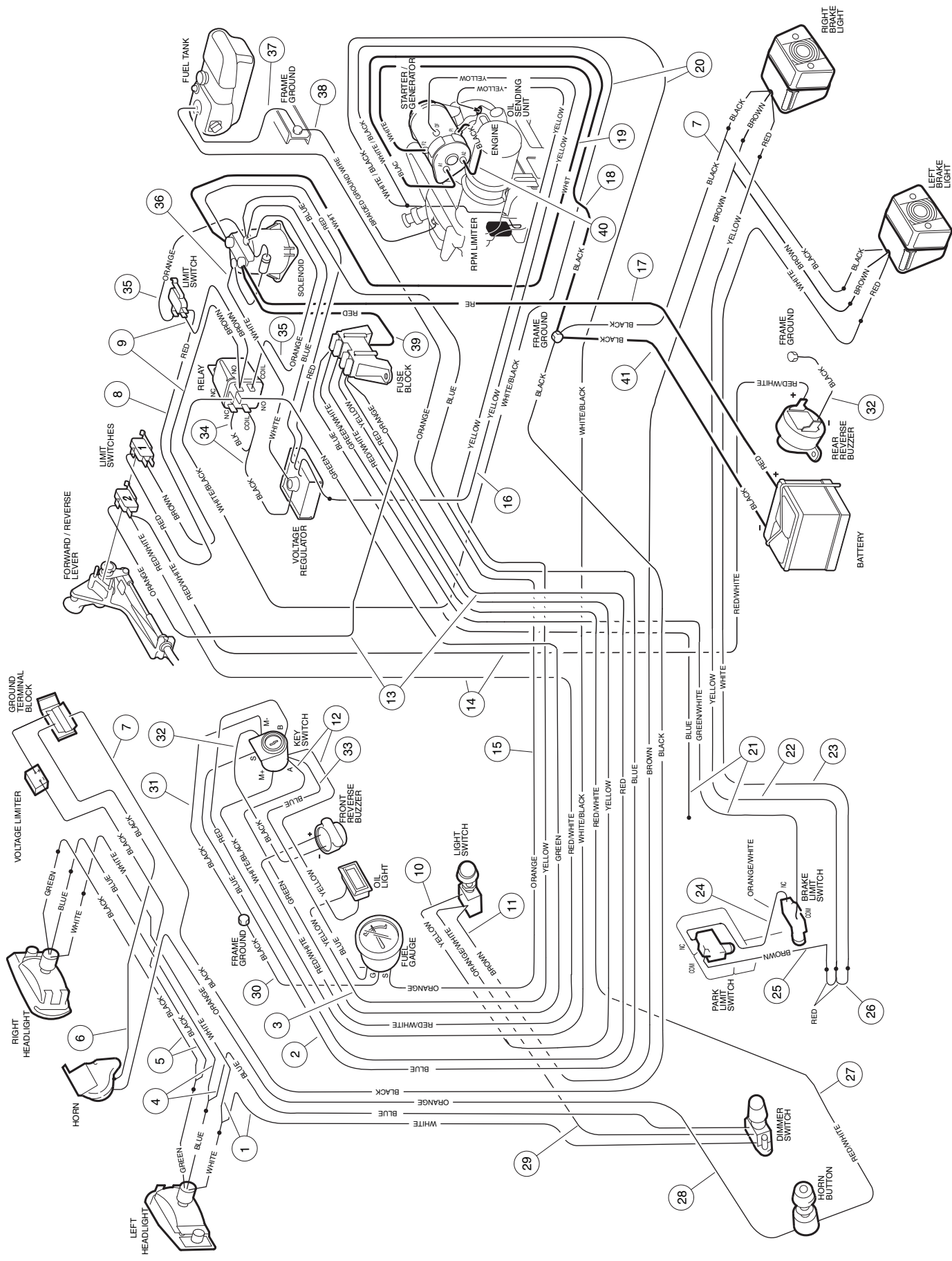


WIRING, GASOLINE VEHICLE CARRYALL II PLUS

5

G

ITEM	PART NO.	DESCRIPTION	QTY
		1 2 3 4	
	1016895	WIRE HARNESS ASSEMBLY, CARRYALL II PLUS (INCLUDES ITEMS 1 - 12)	1
1	1016404	WIRE ASSEMBLY, #16 RED/WHITE	1
2	1017309	WIRE ASSEMBLY, #18 ORANGE/WHITE	1
3	1017007	WIRE ASSEMBLY, #18 YELLOW/#18 GREEN	1
4	1017009	WIRE ASSEMBLY, #18 RED	1
5	1017008	WIRE ASSEMBLY, #18 BROWN	1
6	1015769	WIRE ASSEMBLY, #6 WHITE	1
7	1017011	WIRE ASSEMBLY, #18 WHITE/BLACK	1
8	1016380	WIRE ASSEMBLY, #6 BLACK	1
9	1016294	WIRE ASSEMBLY, #16 YELLOW	1
10	1015738	WIRE ASSEMBLY, #16 YELLOW	1
11	1014119	WIRE ASSEMBLY, #6 RED	1
12	1018282-02	WIRE ASSEMBLY, #16 RED/ORANGE	1
13	1013469	WIRE ASSEMBLY, #18 BLACK	1
14	1012396	WIRE ASSEMBLY, #18 BLACK	1
15	1016857	WIRE ASSEMBLY, #18 BLACK	1
16	1013463	WIRE ASSEMBLY, #18 BLUE	1
17	1017006	WIRE ASSEMBLY, #18 ORANGE (PART OF ELECTRICAL COMPONENT BOX)	1
18	1015035	WIRE ASSEMBLY, #18 ORANGE	1
19	1015921	WIRE ASSEMBLY, #18 BLACK	1
20	1015332	WIRE ASSEMBLY, #10 BRAIDED GROUND	1
21	1012384	WIRE ASSEMBLY, #6 BLACK	1
22	1012382	WIRE ASSEMBLY, #6 BLACK	1
23	1015737	WIRE ASSEMBLY, #10 RED (PART OF ELECTRICAL COMPONENT BOX)	1
24	1017010	WIRE ASSEMBLY, #18 WHITE (PART OF ELECTRICAL COMPONENT BOX)	1
25	1017005	WIRE ASSEMBLY, #18 BLACK (PART OF ELECTRICAL COMPONENT BOX)	1

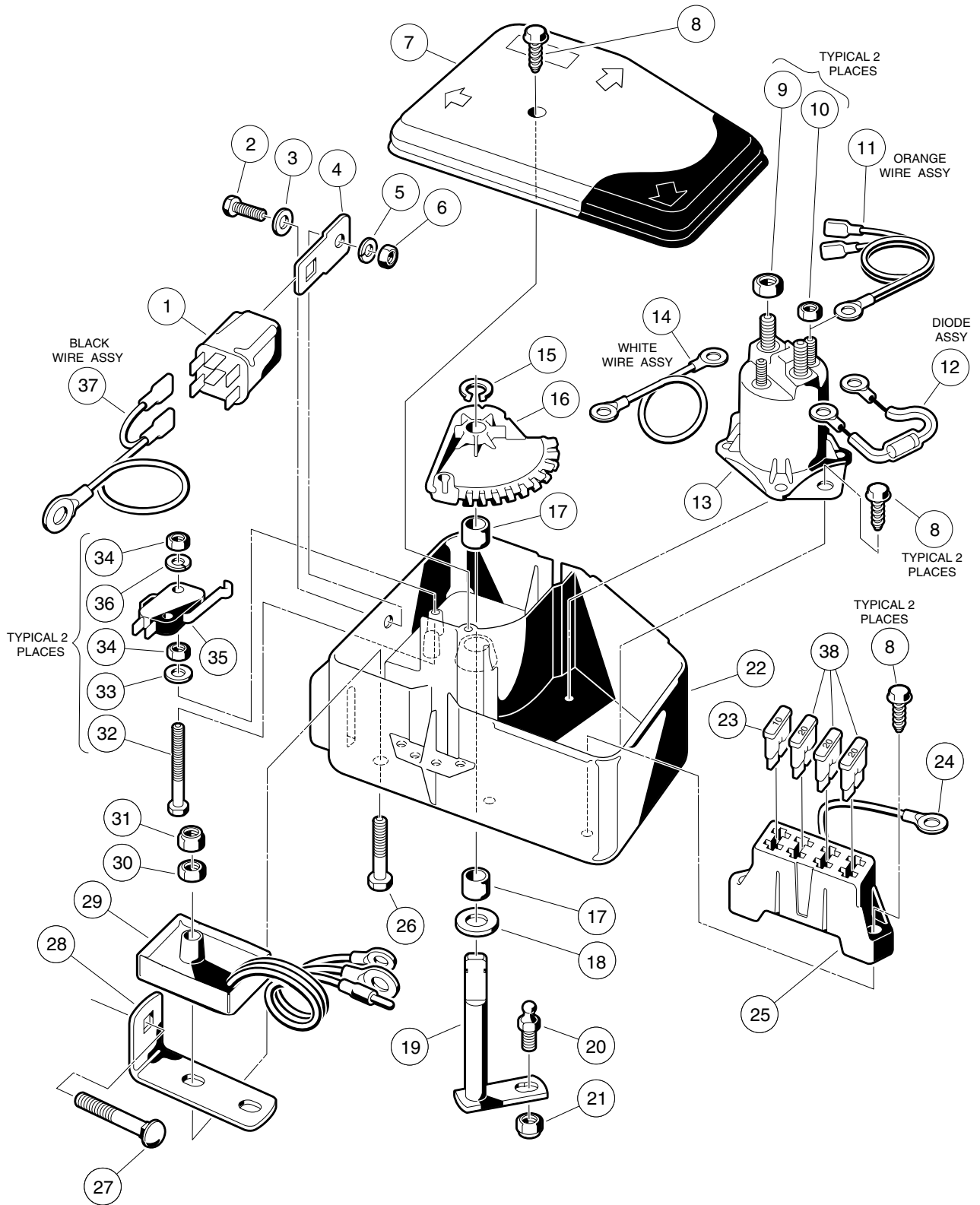


WIRING, GASOLINE VEHICLE CARRYALL VI

5

G

ITEM	PART NO.	DESCRIPTION	QTY
		1 2 3 4	
	1017669	HARNASS, WIRE (INCLUDES ITEMS 1 - 29)	1
1	1016323	WIRE ASSEMBLY, #16 WHITE	1
2	1017679	WIRE ASSEMBLY, #18 BLUE	1
3	1016763	WIRE ASSEMBLY, #18 YELLOW	1
4	1017052	WIRE ASSEMBLY, #18 BLUE	1
5	1016326	WIRE ASSEMBLY, #16 BLACK	1
6	1016308	WIRE ASSEMBLY, #16 BLACK	1
7	1016776	WIRE ASSEMBLY, #14, #18 BLACK	1
8	1017681	WIRE ASSEMBLY, #18 RED	1
9	1017677	WIRE ASSEMBLY, #18 BROWN	1
10	1016770	WIRE ASSEMBLY, #14 YELLOW	1
11	1016775	WIRE ASSEMBLY, #18 BROWN	1
12	1017676	WIRE ASSEMBLY, #18 GREEN AND YELLOW	1
13	1018282-03	WIRE ASSEMBLY, #16 RED AND ORANGE	1
14	1016765	WIRE ASSEMBLY, #18 RED/WHITE	1
15	1016778	WIRE ASSEMBLY, #18 ORANGE	1
16	1015738	WIRE ASSEMBLY, #16 YELLOW	1
17	1014119	WIRE ASSEMBLY, #6 RED	1
18	1016380	WIRE ASSEMBLY, # 6 BLACK	1
19	1015769	WIRE ASSEMBLY, # 6 WHITE	1
20	1017678	WIRE ASSEMBLY, #18 WHITE/BLACK	1
21	1016771	WIRE ASSEMBLY, #18 GREEN/WHITE AND BLUE	1
22	1016774	WIRE ASSEMBLY, #18 YELLOW	1
23	1016773	WIRE ASSEMBLY, #18 WHITE	1
24	1016309	WIRE ASSEMBLY, #16 ORANGE/WHITE	1
25	1016314	WIRE ASSEMBLY, #16 BROWN	1
26	1016409	WIRE ASSEMBLY, #18 RED	1
27	1016772	WIRE ASSEMBLY, #16 RED/WHITE	1
28	1016307	WIRE ASSEMBLY, #16 ORANGE	1
29	1016315	WIRE ASSEMBLY, #16 ORANGE/WHITE	1
30	1013469	WIRE ASSEMBLY, #18 BLACK	1
31	1012396	WIRE ASSEMBLY, #18 BLACK	1
32	1016857	WIRE ASSEMBLY, #18 BLACK	2
33	1013463	WIRE ASSEMBLY, #18 BLUE	1
34	1017005	WIRE ASSEMBLY, #18 BLACK (PART OF ELECTRICAL COMPONENT BOX)	1
35	1017006	WIRE ASSEMBLY, #18 ORANGE (PART OF ELECTRICAL COMPONENT BOX)	1
36	1017010	WIRE ASSEMBLY, #18 WHITE (PART OF ELECTRICAL COMPONENT BOX)	1
37	1015921	WIRE ASSEMBLY, #18 BLACK	1
38	1015332	WIRE ASSEMBLY, #10 BRAIDED GROUND WIRE	1
39	1015737	WIRE ASSEMBLY, #10 RED (PART OF ELECTRICAL COMPONENT BOX)	1
40	1012384	WIRE ASSEMBLY, #6 BLACK	1
41	1012382	WIRE ASSEMBLY, #6 BLACK	1

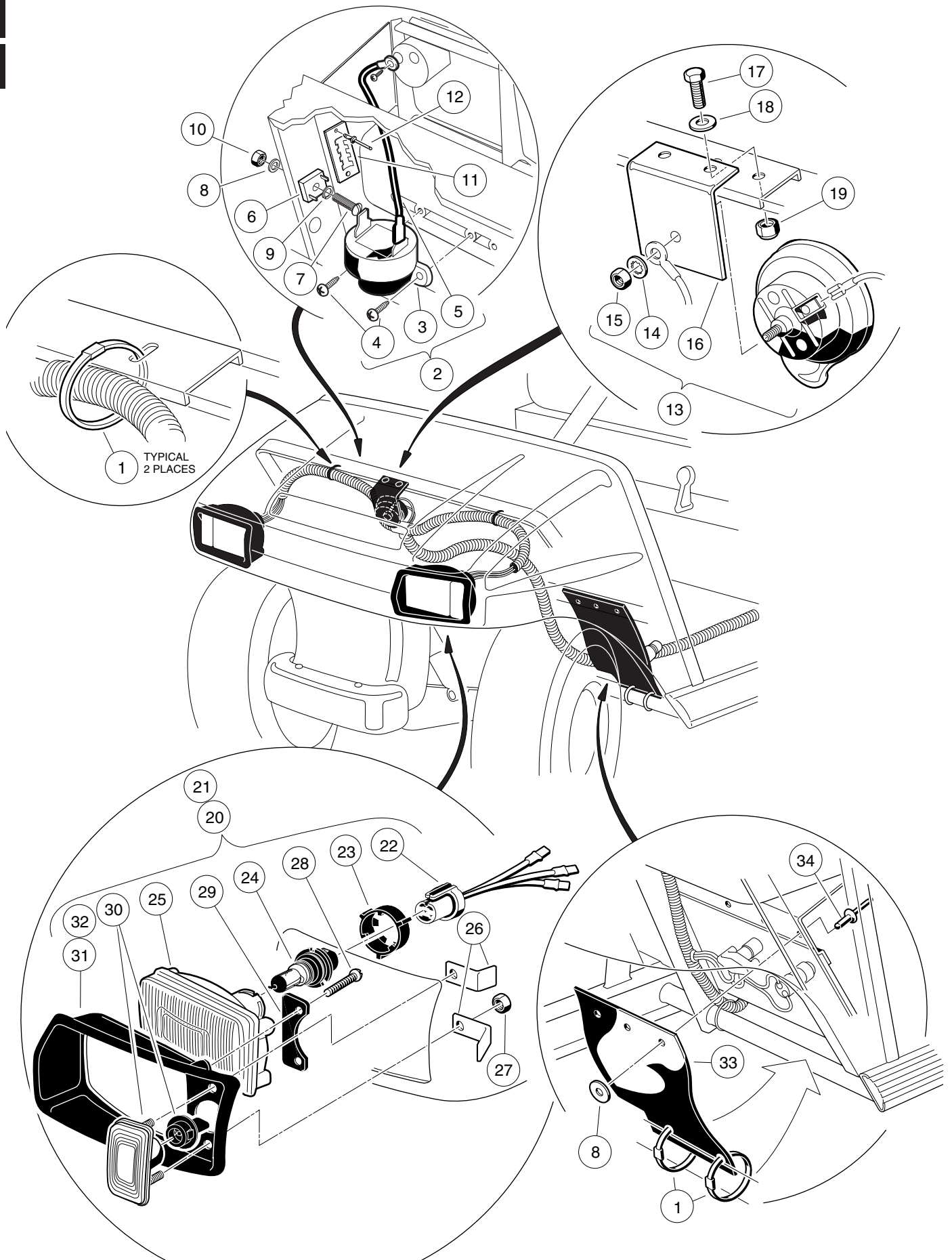


ELECTRICAL COMPONENT BOX, GASOLINE VEHICLE CARRYALL II PLUS AND VI

5

G

ITEM	PART NO.	DESCRIPTION	QTY
		1 2 3 4	
	1018277-01	BOX, ELECTRICAL COMPONENT, COMPLETE (INCLUDES ITEMS 1 - 37 AND WIRE HARNESS 1016895 - SEE PAGE 5-13) (FOR CARRYALL II PLUS ONLY)	1
	1018277-02	BOX, ELECTRICAL COMPONENT, COMPLETE (INCLUDES ITEMS 1 - 37 AND WIRE HARNESS 1017669 - SEE PAGE 5-15) (FOR CARRYALL VI ONLY)	1
1	1017239	RELAY	1
2	0008450	SCREW, HEX HEAD MACHINE, #10 - 24 x 1/2	1
3	0000183	WASHER, FLAT, #10	1
4	1017243	BRACKET, RELAY MOUNTING	1
5	0001016	WASHER, LOCK, #10	1
6	0001017	NUT, HEX, #10 - 24	1
7	1015372	COVER, ELECTRICAL COMPONENT BOX	1
8	1015752	SCREW, HILO, #12 - 16 x 5/8	5
9	0001242	NUT, HEX, 5/16 - 18	2
10	0007893	NUT, HEX, #10 - 32	2
11	1017006	WIRE ASSEMBLY, #18 ORANGE	1
12	1014948	ASSEMBLY, DIODE	1
13	1013609	SOLENOID	1
14	1017010	WIRE ASSEMBLY, #18 WHITE	1
15	1013589	RING, RETAINING	1
16	1015373	CAM, ELECTRICAL BOX	1
17	1014145	BUSHING, BRONZE	2
18	1014065	WASHER, FLAT	1
19	1015345	ASSEMBLY, BELL CRANK SHAFT	1
20	1010954	STUD, BALL, 1/4 - 28	1
21	0008717	NUT, NYLON LOCK, 1/4 - 28	1
22	1016997	BOX, ELECTRICAL COMPONENT	1
23	1012295	FUSE, 10 AMP	1
24	1015737	WIRE ASSEMBLY, #10 RED	1
25	1015741	BLOCK, FUSE	1
26	1013509	SCREW, HEX HEAD CAP, 1/4 - 20 x 1 3/4	1
27	1015405	BOLT, CARRIAGE, 5/16 - 18 x 2	1
28	1015343	STRAP, GROUND	1
29	1017238	REGULATOR, VOLTAGE	1
30	1015919	NUT, HEX JAM, 1/4 - 20	1
31	0008233	NUT, NYLON LOCK, 1/4 - 20	1
32	1016896	SCREW, HEX HEAD MACHINE, #4 - 40 x 1 1/8	2
33	1012431	WASHER, FLAT, #4	2
34	0008057	NUT, HEX, #4 - 40	4
35	1014807	SWITCH, LIMIT	1
36	0008058	WASHER, LOCK, #4	2
37	1017005	WIRE ASSEMBLY, #18 BLACK	1
38	1016423	FUSE, 20 AMP (CARRYALL VI ONLY)	3

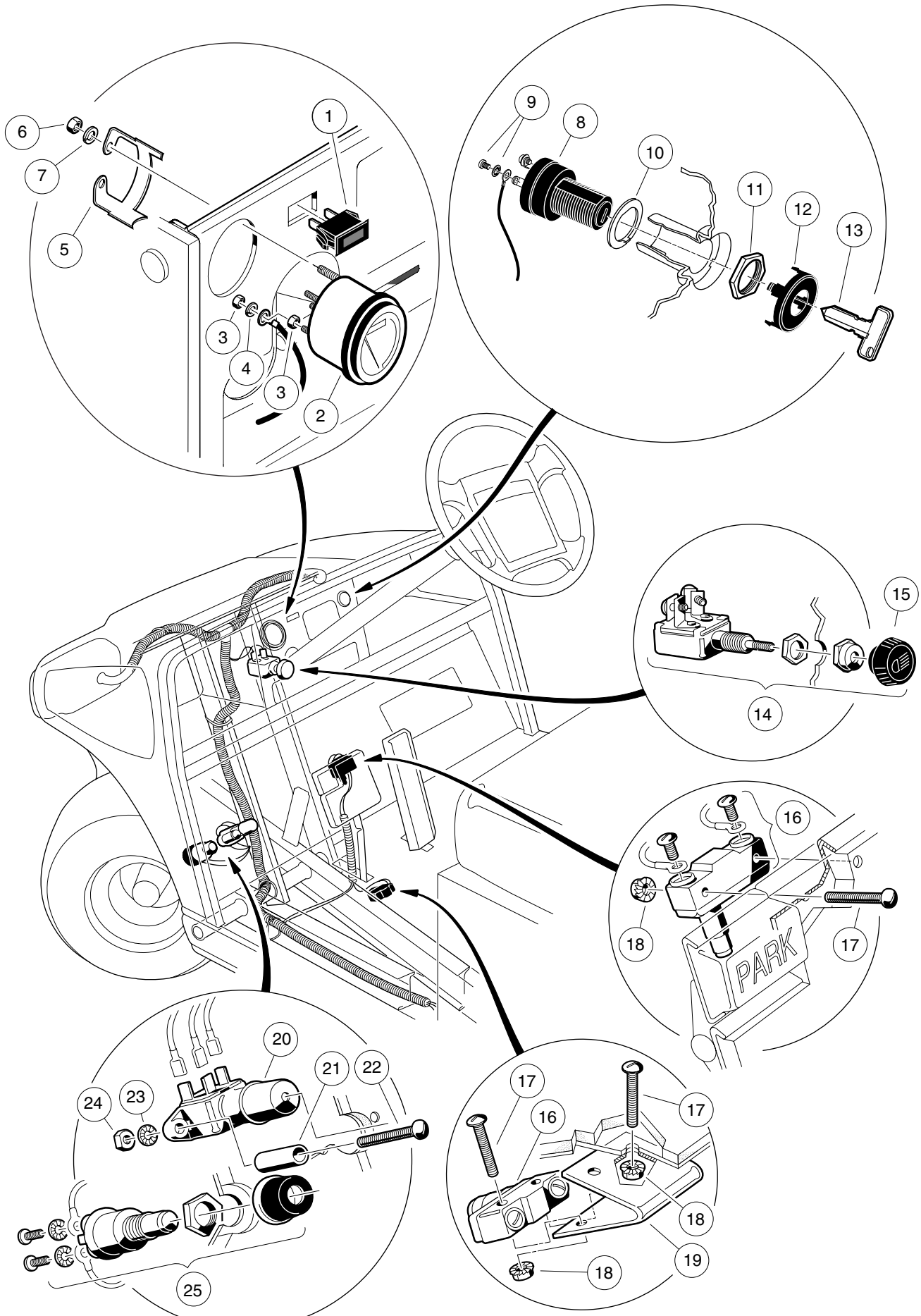


ELECTRICAL COMPONENTS, FRONT BODY GASOLINE VEHICLE - CARRYALL VI

5

G

ITEM	PART NO.	DESCRIPTION	QTY
		1 2 3 4	
1	0008639	WRAP, TIE	4
2	1016859	KIT, REVERSE BUZZER (INCLUDES ITEMS 3, 4 AND 5)	1
3	1016851	BUZZER, REVERSE	1
4	1016849	SCREW, PAN HEAD HILO, #4 - 24 x 5/16	2
5	1016857	WIRE ASSEMBLY, #18 BLACK	1
6	1017721	LIMITER, VOLTAGE	1
7	1010909	SCREW, MACHINE, #10 - 32 x 1 1/4	1
8	0000183	WASHER, FLAT, #10	4
9	0001016	WASHER, LOCK, #10	1
10	0007893	NUT, HEX, #10 - 32	1
11	1016356	BLOCK, TERMINAL	1
12	1013357	RIVET, ALUMINUM POP, 5/32	2
13	0004029	ASSEMBLY, HORN (INCLUDES ITEMS 14, 15 AND 16)	1
14	0007820	WASHER, INTERNAL TOOTH, 5/16	1
15	1012528	NUT, M8 x 1.25	1
16	1011825	BRACKET, HORN	1
17	0000304	BOLT, HEX HEAD, 1/4 - 20 x 1	2
18	0000332	WASHER, FLAT, 1/4	2
19	0008233	NUT, NYLON LOCK, 1/4 - 20	2
20	1016897-01	ASSEMBLY, HEADLIGHT, LEFT HAND (INCLUDES ITEMS 22 - 31)	1
21	1016897-02	ASSEMBLY, HEADLIGHT, RIGHT HAND (INCLUDES ITEMS 22 - 30 AND 32)	1
22	1017066	HARNES, HEADLIGHT WIRE	1
23	1017059	LOCK, BULB COLLAR	1
24	1017060	BULB, HALOGEN	1
25	1017061	LENS, HEADLIGHT	1
26	1017064	BRACKET, MOUNTING	2
27	0007893	NUT, HEX, #10 - 32	2
28	1013461	SCREW, HI-LO, #10 - 16 x 7/16	2
29	1017065	RETAINER, HEADLIGHT	1
30	1017062	ASSEMBLY, TURN SIGNAL LENS	1
31	1016880	BEZEL, HEADLIGHT, LEFT HAND	1
32	1016879	BEZEL, HEADLIGHT, RIGHT HAND	1
33	1015787	FLAP, SWITCH PROTECTOR	1
34	0001606	RIVET, POP, 3/16	3

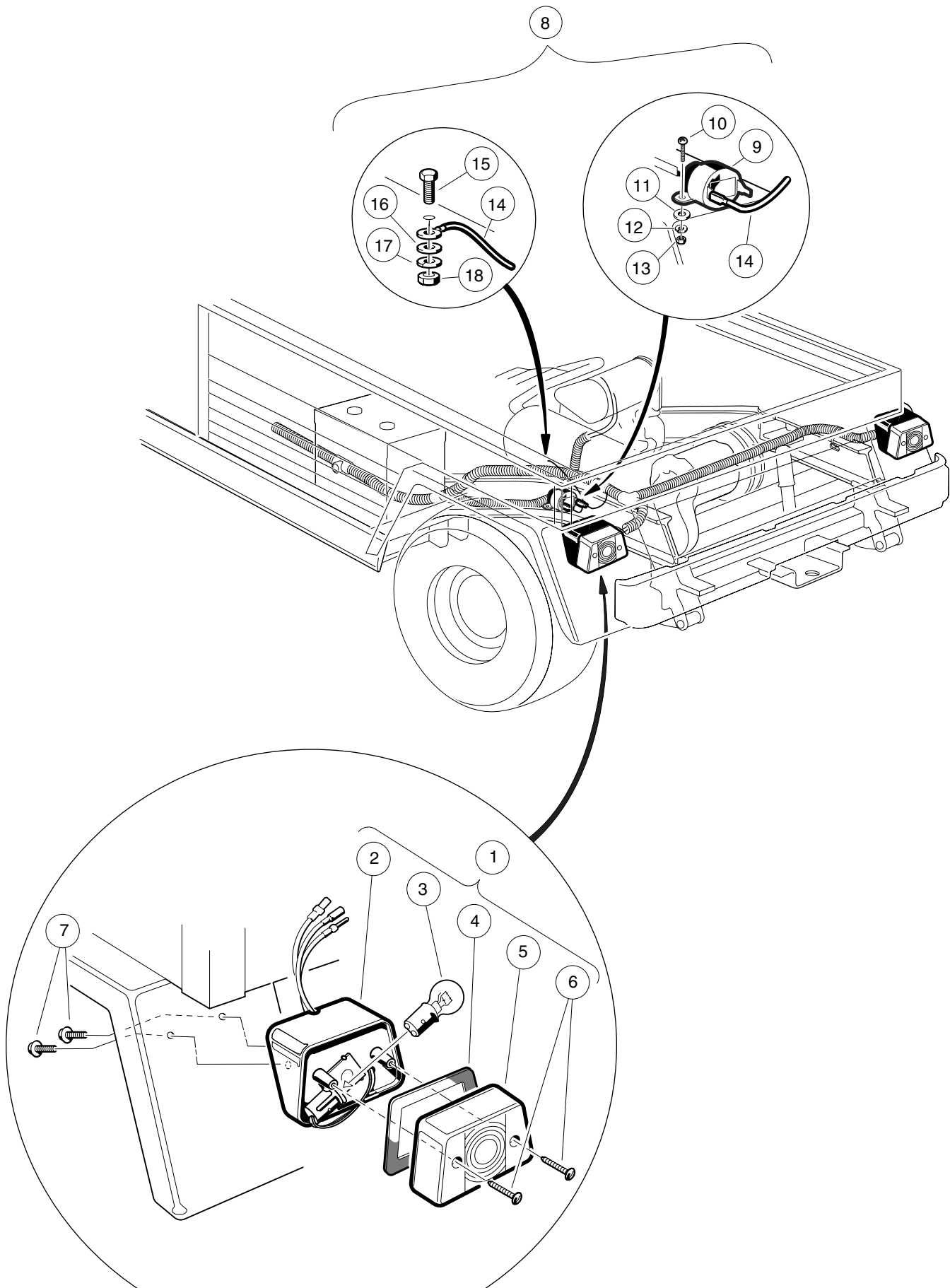


CONTROLS AND GAUGES, GASOLINE VEHICLE CARRYALL VI

5

G

ITEM	PART NO.	DESCRIPTION	QTY
		1 2 3 4	
1	1016630	LIGHT, OIL WARNING (WITH INTERNAL RESISTOR)	1
2	1015103	GAUGE, FUEL (INCLUDES ITEMS 3 AND 4)	1
3	N/A	NUT, BRASS	6
4	N/A	WASHER, EXTERNAL TOOTH LOCK	3
5	1015104	BRACKET, FUEL GAUGE	1
6	1011571	NUT, HEX, #8 - 32	2
7	1011610	WASHER, LOCK, #8	2
8	1018264-01	SWITCH, KEY	1
9	1018306-01	ASSEMBLY, SCREW AND WASHER	5
10	1018511-01	WASHER	1
11	1018307-01	NUT, KEY SWITCH	1
12	1018345-02	CAP, KEY SWITCH	1
13	1012505	KEY (PAIR)	1
14	0004034	SWITCH, LIGHT (INCLUDES ITEM 15)	1
15	1013857	KNOB, LIGHT SWITCH	1
16	1011439	SWITCH, LIMIT	2
17	1011557	SCREW, MACHINE, #6 - 32 x 1	6
18	1011229	NUT, "K" LOCK, #6 - 32	6
19	1011742	BRACKET, BRAKE LIGHT SWITCH	1
20	1010889	SWITCH, DIMMER	1
21	1018713-01	STAND-OFF, DIMMER SWITCH	2
22	1018712-01	SCREW, MACHINE, #10 - 32 x 1	2
23	0008049	WASHER, INTERNAL TOOTH LOCK, #10	2
24	0007893	NUT, HEX, #10 - 32	2
25	1013443	BUTTON, HORN	1

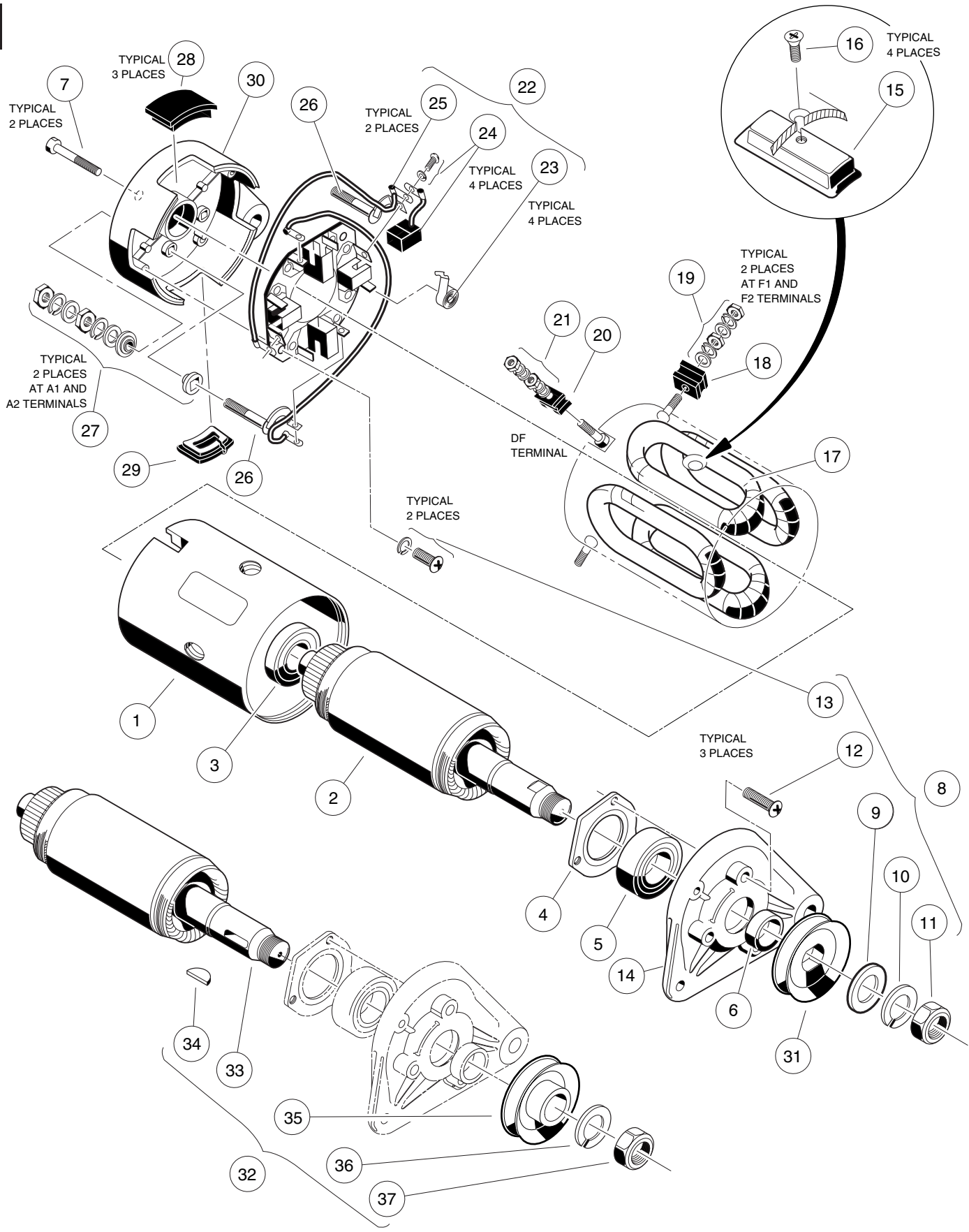


ELECTRICAL COMPONENTS, REAR BODY GASOLINE VEHICLE - CARRYALL VI

5

G

ITEM	PART NO.	DESCRIPTION	QTY
		1 2 3 4	
1	1016717	ASSEMBLY, TAILLIGHT (INCLUDES ITEMS 2 - 6)	2
2	N/A	HOUSING, TAILLIGHT	1
3	1011582	BULB	1
4	N/A	GASKET	1
5	N/A	LENS	1
6	N/A	SCREW, LENS	2
7	1015752	SCREW, HEX WASHER HEAD, #12 - 16 x 1/2	4
8	1016859	KIT, REVERSE BUZZER (INCLUDES ITEMS 9 - 14)	1
9	1016851	BUZZER, REVERSE	1
10	0008056	SCREW, ROUND HEAD, #4 - 40 x 3/4	2
11	1012431	WASHER, FLAT, #4	2
12	0008058	WASHER, LOCK, #4	2
13	0008057	NUT, HEX, #4 - 40	2
14	1016857	WIRE ASSEMBLY, #18 BLACK	1
15	1015720	SCREW, HEX WASHER HEAD, #6 - 32 x 1/2	1
16	0007591	WASHER, FLAT	1
17	1011622	WASHER, LOCK, #6	1
18	1011558	NUT, HEX, #6 - 32	1

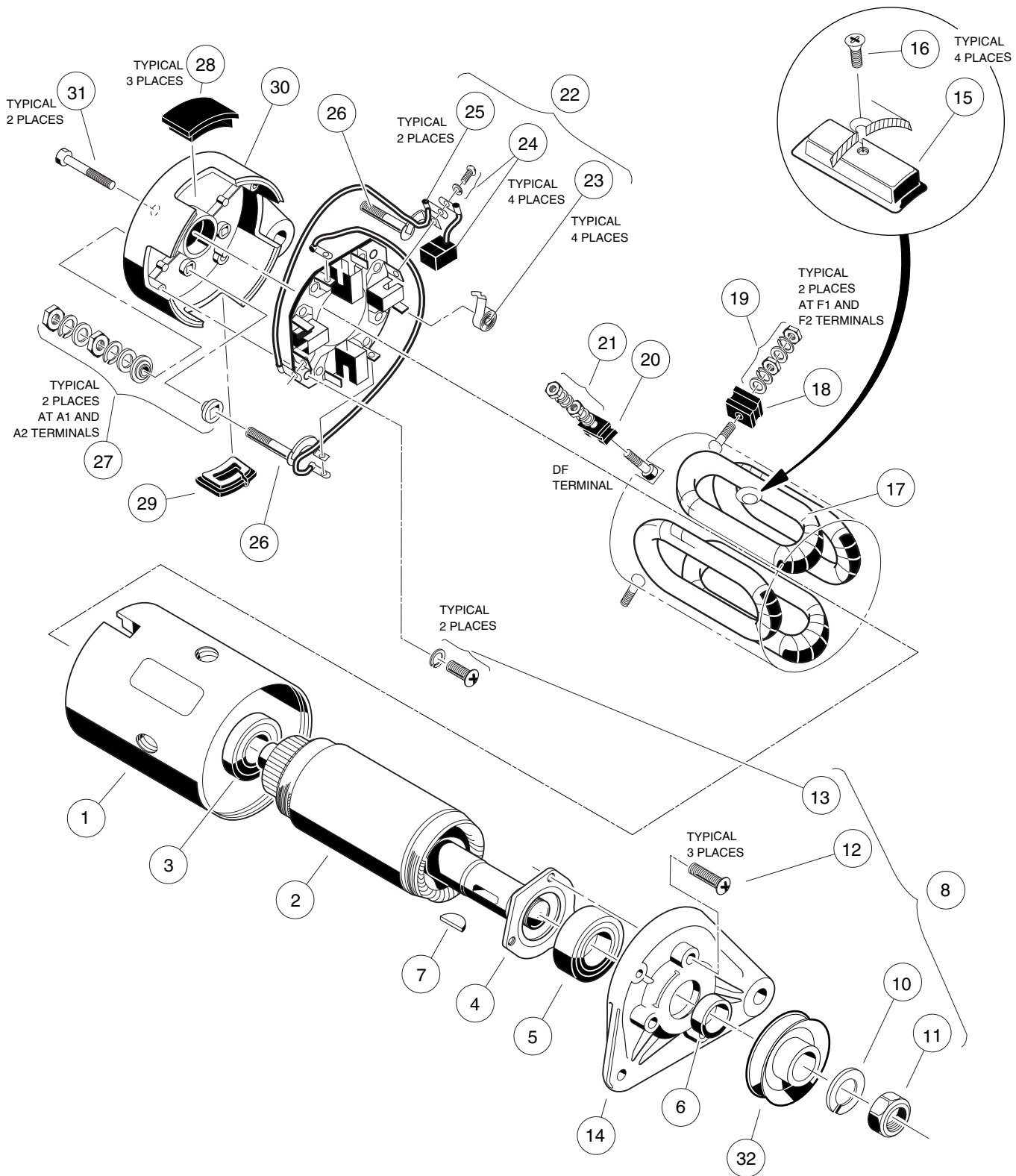


STARTER/GENERATOR ASSEMBLY

5

G

ITEM	PART NO.	DESCRIPTION	QTY
		1 2 3 4 FOR VEHICLES PRIOR TO SERIAL NUMBER 9625-505061.	
	1018294-01	STARTER/GENERATOR (INCLUDES ITEMS 1 - 30)	1
1	1018752-01	HOUSING, FIELD COIL	1
2	1018751-01	ASSEMBLY, ARMATURE	1
3	1013005	COMMUTATOR, BALL BEARING	1
4	1018750-01	RETAINER, BEARING	1
5	1013001	BALL BEARING, OUTPUT SHAFT	1
6	1018748-01	SPACER	1
7	1018790-01	BOLT, CLAMP, M6 x 1 x 180MM	2
8	1018765-01	KIT, PULLEY NUT AND SCREW (INCLUDES ITEMS 9 - 13)	1
9	N/A	WASHER, FLAT, M8 (FOR VEHICLES PRIOR TO SERIAL NUMBER 9625-505061)	1
10	N/A	WASHER, LOCK, M14	1
11	N/A	NUT, HEX, M14 x 2	1
12	N/A	SCREW, CROSS - RECESSED, M5 x .8 x 18MM	3
13	1018965-01	SCREW, CROSS - RECESSED, M5 x .8 x 16MM (WITH LOCK WASHER)	2
14	1018749-01	END BELL, OUTPUT SHAFT	1
15	1018753-01	SET, POLE (SET OF 4)	1
16	1018754-01	SCREW, POLE PIECE (SET OF 4)	1
17	1018755-01	ASSEMBLY, FIELD COIL	1
18	1018756-01	SET, F MOLD	2
19	1018776-01	PACKAGE, TERMINAL HARDWARE (F1 AND F2)	2
20	1018757-01	SET, DF MOLD	1
21	1018777-01	PACKAGE, TERMINAL HARDWARE (DF)	1
22	1013011	HOLDER, BRUSH (INCLUDES ITEMS 23, 24 AND 25)	1
23	1018781-01	SPRING, BRUSH	4
24	1018693-01	PACKAGE, BRUSH (INCLUDES 4 BRUSHES, 4 SCREWS, 4 WASHERS)	1
25	1018762-01	ASSEMBLY, BRUSH CONNECTOR	2
26	1018758-01	A CONNECTOR (SET OF 2)	1
27	1018760-01	PACKAGE, TERMINAL HARDWARE (A1 AND A2)	2
28	1018763-01	COVER, BRUSH INSPECTION PORT (SET OF 4) (INCLUDES ITEM 29)	1
29	1017653	COVER, BRUSH INSPECTION PORT, WITH DRAIN	1
30	1018764-01	END BELL, COMMUTATOR	1
31	1018747-01	PULLEY (FOR VEHICLES PRIOR TO SERIAL NUMBER 9625-505061)	1
32	1018751-02	KIT, ARMATURE CONVERSION (INCLUDES ITEMS 33 - 37)	1
33	1018751-03	ARMATURE	1
34	1013003	KEY, WOODRUFF	1
35	1014289	PULLEY	1
36	N/A	WASHER, LOCK, M14	1
37	N/A	NUT, HEX, M14 x 2	1

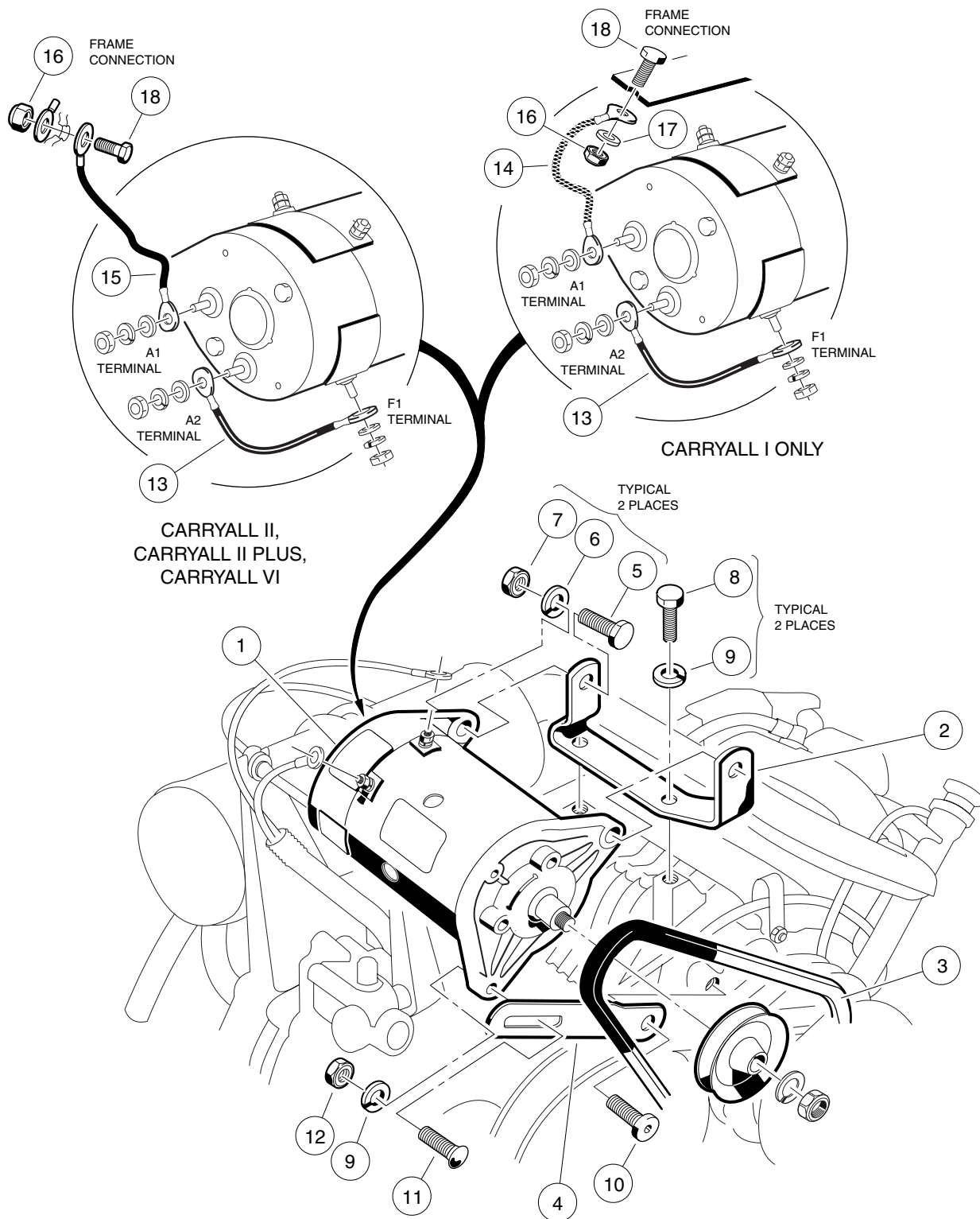


STARTER/GENERATOR ASSEMBLY

5

G

ITEM	PART NO.	DESCRIPTION	QTY
		1 2 3 4	
		FOR VEHICLES SERIAL NUMBER 9625-505061 AND LATER.	
	1018294-01	STARTER/GENERATOR (INCLUDES ITEMS 1 - 31)	1
1	1018752-01	HOUSING, FIELD COIL	1
2	1018751-03	ASSEMBLY, ARMATURE	1
3	1013005	COMMUTATOR, BALL BEARING	1
4	1018750-01	RETAINER, BEARING	1
5	1013001	BALL BEARING, OUTPUT SHAFT	1
6	1018748-01	SPACER	1
7	1013003	KEY, WOODRUFF	1
8	1018765-01	KIT, PULLEY NUT AND SCREW (INCLUDES ITEMS 9 - 13)	1
9	N/A	WASHER, FLAT, M8 (FOR VEHICLES PRIOR TO SERIAL NUMBER 9625-505061)	1
10	N/A	WASHER, LOCK, M14	1
11	N/A	NUT, HEX, M14 x 2	1
12	N/A	SCREW, CROSS - RECESSED, M5 x .8 x 18MM	3
13	1018965-01	SCREW, CROSS - RECESSED, M5 x .8 x 16MM (WITH LOCK WASHER)	2
14	1018749-01	END BELL, OUTPUT SHAFT	1
15	1018753-01	SET, POLE (SET OF 4)	1
16	1018754-01	SCREW, POLE PIECE (SET OF 4)	1
17	1018755-01	ASSEMBLY, FIELD COIL	1
18	1018756-01	SET, F MOLD	2
19	1018776-01	PACKAGE, TERMINAL HARDWARE (F1 AND F2)	2
20	1018757-01	SET, DF MOLD	1
21	1018777-01	PACKAGE, TERMINAL HARDWARE (DF)	1
22	1013011	HOLDER, BRUSH (INCLUDES ITEMS 23, 24 AND 25)	1
23	1018781-01	SPRING, BRUSH	4
24	1018693-01	PACKAGE, BRUSH (INCLUDES 4 BRUSHES, 4 SCREWS, 4 WASHERS)	1
25	1018762-01	ASSEMBLY, BRUSH CONNECTOR	2
26	1018758-01	A CONNECTOR (SET OF 2)	1
27	1018760-01	PACKAGE, TERMINAL HARDWARE (A1 AND A2)	2
28	1018763-01	COVER, BRUSH INSPECTION PORT (SET OF 4) (INCLUDES ITEM 29)	1
29	1017653	COVER, BRUSH INSPECTION PORT, WITH DRAIN	1
30	1018764-01	END BELL, COMMUTATOR	1
31	1018790-01	BOLT, CLAMP, M6 x 1 x 180MM	2
32	1014289	PULLEY	1

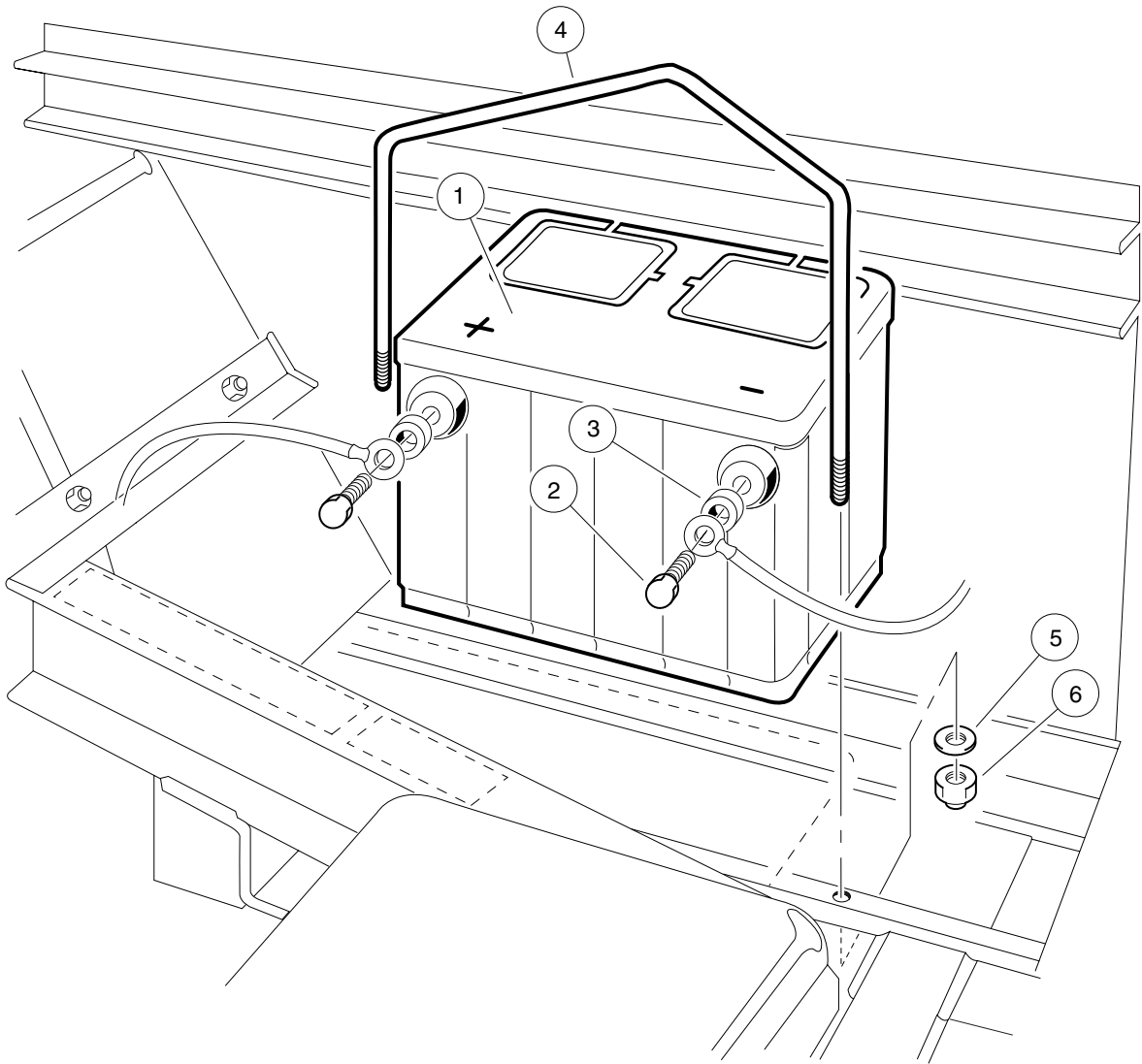


STARTER/GENERATOR MOUNTING

5

G

ITEM	PART NO.	DESCRIPTION	QTY
		1 2 3 4	
1	1018294-01	STARTER/GENERATOR (VEHICLES SERIAL NUMBER 9533-452031 AND LATER)	1
2	1015240-01	BRACKET, MOUNTING, FE 290 (CARRYALL I AND II)	1
2	1015240-02	BRACKET, MOUNTING, FE 350 (CARRYALL II PLUS AND VI)	1
3	1014290	BELT	1
4	1016883	BRACKET, ADJUSTING	1
5	0000705	SCREW, HEX HEAD CAP, 3/8 - 16 x 1 1/4	2
6	0000357	WASHER, LOCK, 3/8	2
7	0000706	NUT, HEX, 3/8 - 16	2
8	1019035-01	SCREW, HEX HEAD CAP, M8 x 1.25 x 24MM	2
9	0007174	WASHER, LOCK, 5/16	3
10	1016074	SCREW, TORX HEAD, M8 x 1.25 x 18MM	1
11	1015932	BOLT, CARRIAGE, 5/16 - 18 x 1	1
12	0001242	NUT, HEX, 5/16 - 18	1
13	1012384	WIRE ASSEMBLY, #6 BLACK	1
14	1015920	WIRE ASSEMBLY, #6 BRAIDED GROUND (CARRYALL I ONLY)	1
15	1016380	WIRE ASSEMBLY, #6 GROUND (CARRYALL II, II PLUS, AND VI)	1
16	0007473	NUT, NYLON LOCK, 5/16 - 18	1
17	0001241	WASHER, FLAT, 5/16	1
18	0007173	SCREW, HEX HEAD CAP, 5/16 - 18 x 3/4	1



BATTERY MOUNTING - GASOLINE VEHICLE

5

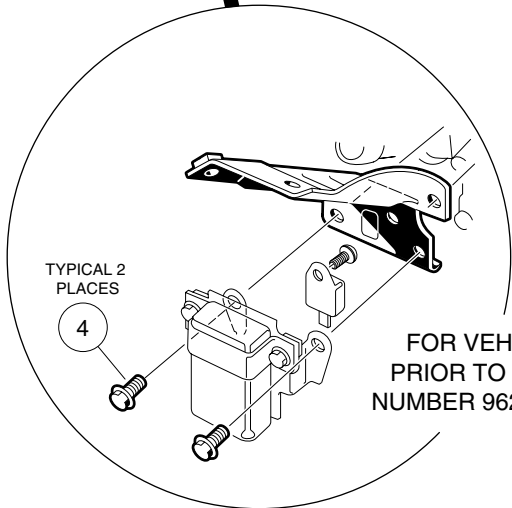
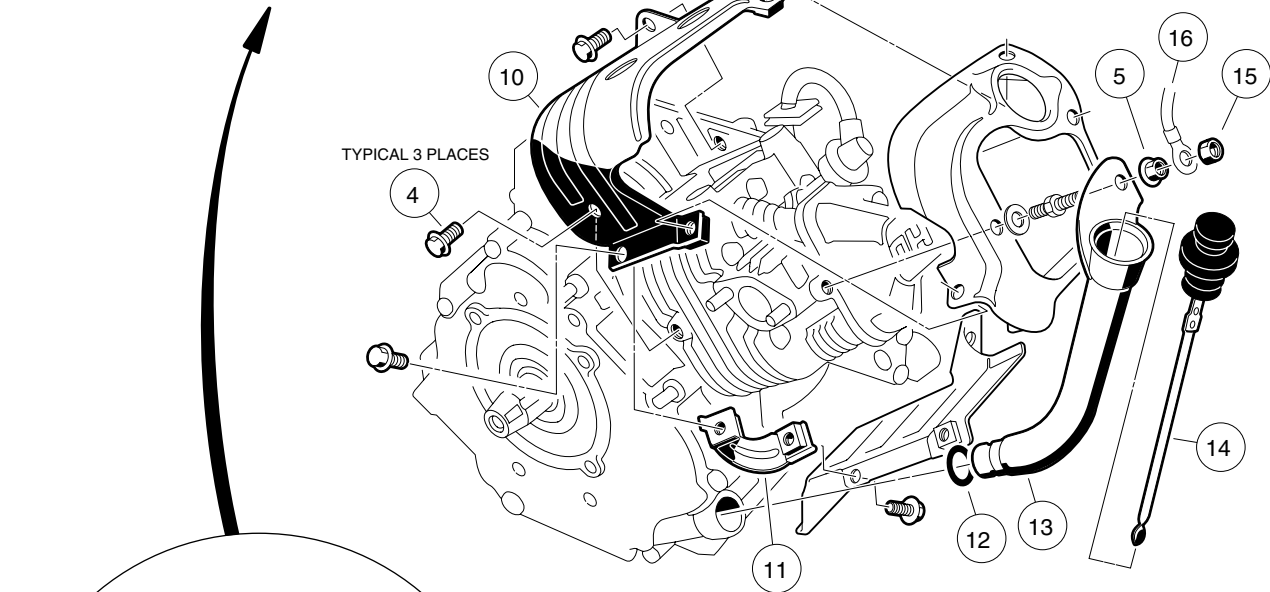
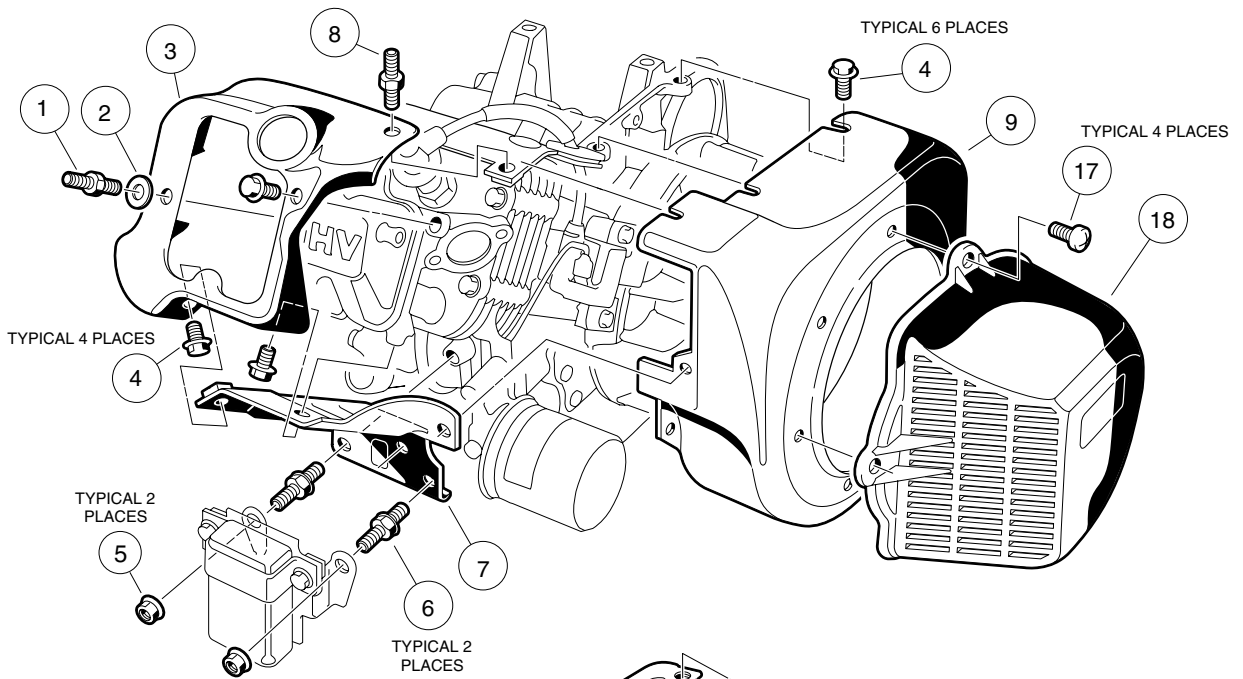
G

ITEM	PART NO.	DESCRIPTION	QTY
		1 2 3 4	
1	1012328	BATTERY, 12 VOLT	1
2	1014375	SCREW, HEX HEAD CAP, STAINLESS STEEL, 3/8 - 16 x 1/2	2
3	1014374	SPACER, BATTERY TERMINAL BOLT	2
4	1013882	HOLD-DOWN, BATTERY, STAINLESS STEEL	1
5	1011964	WASHER, FLAT, STAINLESS STEEL, 1/4	2
6	1015068	NUT, NYLON LOCK, STAINLESS STEEL, 1/4 - 20	2

ENGINE

6

G

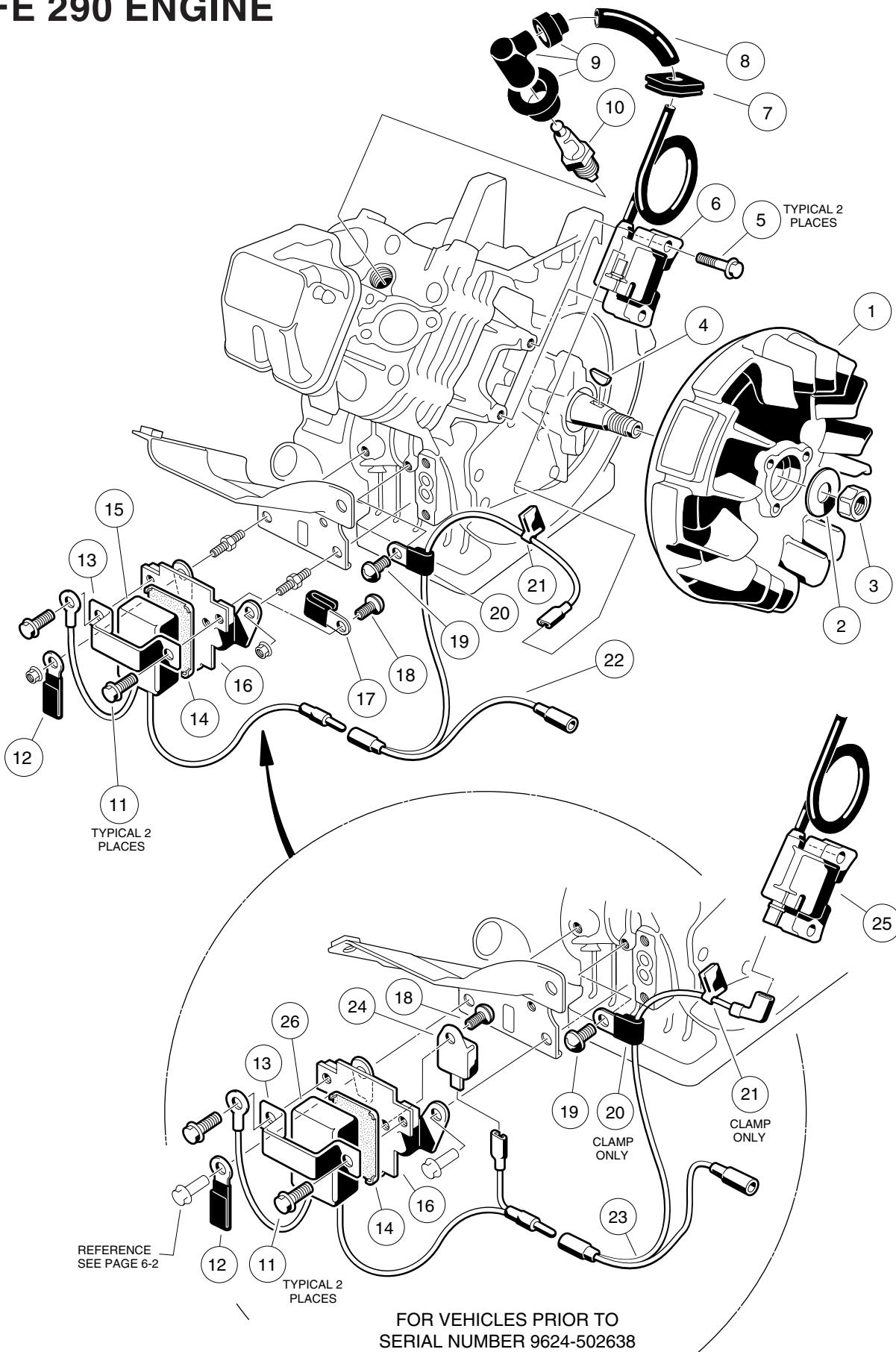


FE 290 ENGINE - CARRYALL I AND II

6

G

ITEM	PART NO.	DESCRIPTION	QTY
		1 2 3 4	
	1015731	FE 290 OHV GASOLINE ENGINE, COMPLETE (DOES NOT INCLUDE ITEMS 15 - 18) .	1
1	1016507	BOLT, 2-ENDED, M6 x 1 x 29MM	1
2	1016512	WASHER, FLAT, 6MM	1
3	1016524	SHROUD, ENGINE, FE 290	1
4	1016456	BOLT, FLANGED, M6 x 1 x 12MM	17
5	1016547	NUT, M6 x 1	3
6	1019097-01	BOLT, 2-ENDED, M6 x 1 x 27MM (FOR VEHICLES SERIAL NUMBER 9624-502638 AND LATER)	2
7	1016526	SHROUD, ENGINE, FE 290 (LOWER)	1
8	1017221	SCREW, 2-ENDED, M6 x 1 x 46MM	1
9	1016534	HOUSING, FAN	1
10	1016525	SHROUD, ENGINE, FE 290 (UPPER)	1
11	1016443	BRACKET	1
12	1016539	O-RING	1
13	1016536	TUBE, OIL FILLER, FE 290	1
14	1016531	DIPSTICK	1
15	1011114	NUT, M6 x 1	3
16	1015332	WIRE ASSEMBLY, #10 BRAIDED GROUND	1
17	1015969	SCREW, PAN HEAD, M6 x 1 x 14MM	4
18	1015649	SHROUD, FAN	1

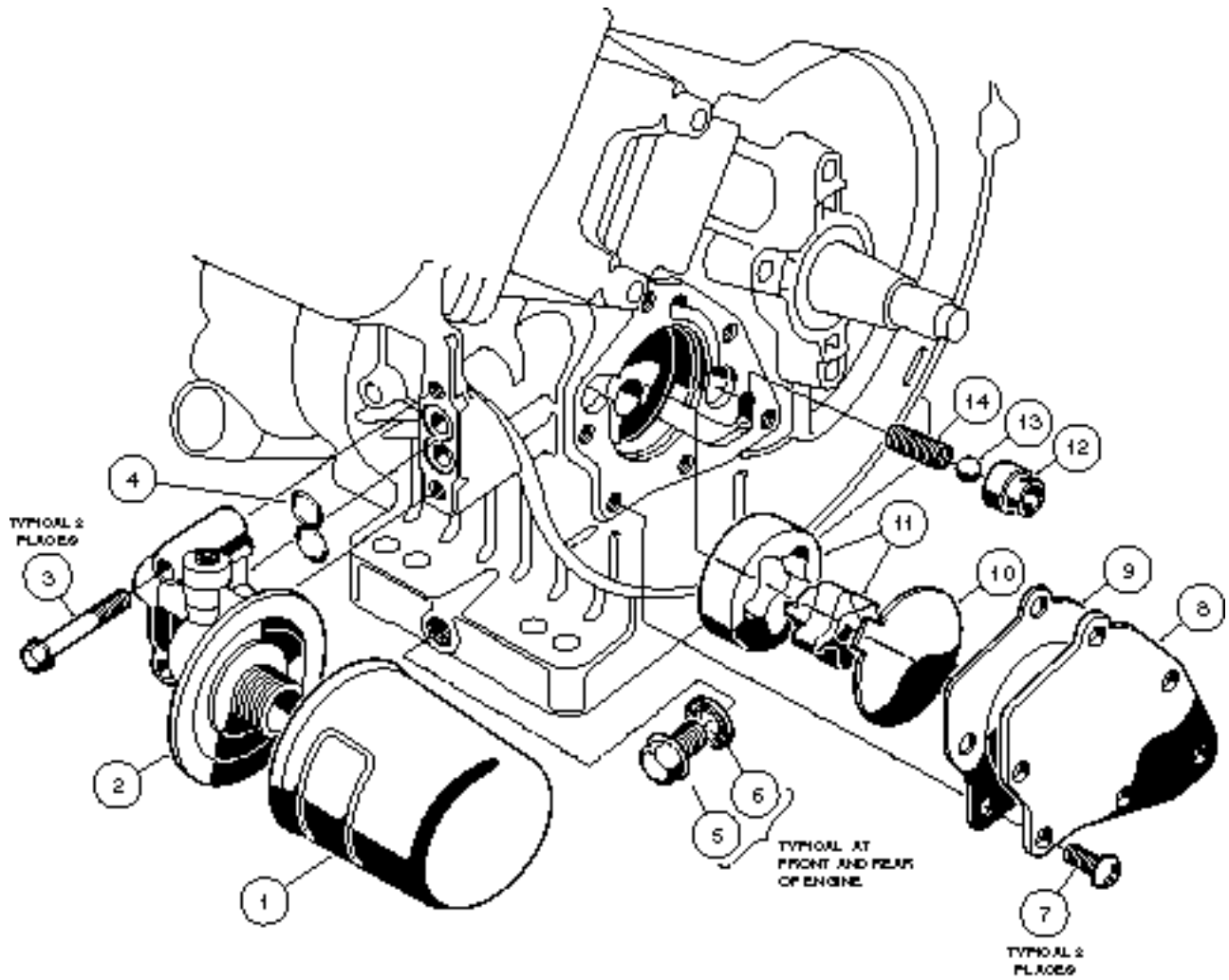


FE 290 ENGINE - CARRYALL I AND II

6

G

ITEM	PART NO.	DESCRIPTION	QTY
		1 2 3 4	
1	1016495	FLYWHEEL, COMPLETE	1
2	1016548	WASHER, FLAT, 16MM	1
3	1016505	NUT, HEX, M16 x 2	1
4	1016562	KEY	1
5	1016455	BOLT, FLANGED, M5 x .8 x 25MM	2
6	1019092-01	COIL, IGNITION (WITH INTERNAL IGNITER) (FOR VEHICLES SERIAL NUMBER 9624-502638 AND LATER)	1
7	1016578	GROMMET	1
8	1016588	TUBE, 7MM x 70MM	1
9	1016493	ASSEMBLY, PLUG CAP	1
10	1016111	SPARK PLUG	1
11	1016456	BOLT, FLANGED, M6 x 1 x 12MM	2
12	1012981	CLAMP	1
13	1016579	BAND, RPM LIMITER MOUNTING	1
14	1016586	DAMPER, RPM LIMITER	1
15	1019094-01	LIMITER, RPM (FOR VEHICLES SERIAL NUMBER 9624-502638 AND LATER)	1
16	1016445	BRACKET, RPM LIMITER	1
17	1019095-01	CLAMP (FOR VEHICLES SERIAL NUMBER 9624-502638 AND LATER)	1
18	1016497	SCREW, CROSS PAN HEAD, M5 x .8 x 8MM	1
19	1016544	SCREW, CROSS PAN HEAD SELF-TAPPING, M5 x .8 x 12MM	1
20	1016561	CLAMP	1
21	1016587	CLAMP	1
22	1019093-01	WIRE, LEAD (FOR VEHICLES SERIAL NUMBER 9624-502638 AND LATER)	1
23	1016503	WIRE, LEAD (FOR VEHICLES PRIOR TO SERIAL NUMBER 9624-502638)	1
24	1016491	IGNITER (FOR VEHICLES PRIOR TO SERIAL NUMBER 9624-502638)	1
25	1016492	COIL, IGNITION (FOR VEHICLES PRIOR TO SERIAL NUMBER 9624-502638)	1
26	1016511	LIMITER, RPM (FOR VEHICLES PRIOR TO SERIAL NUMBER 9624-502638)	1

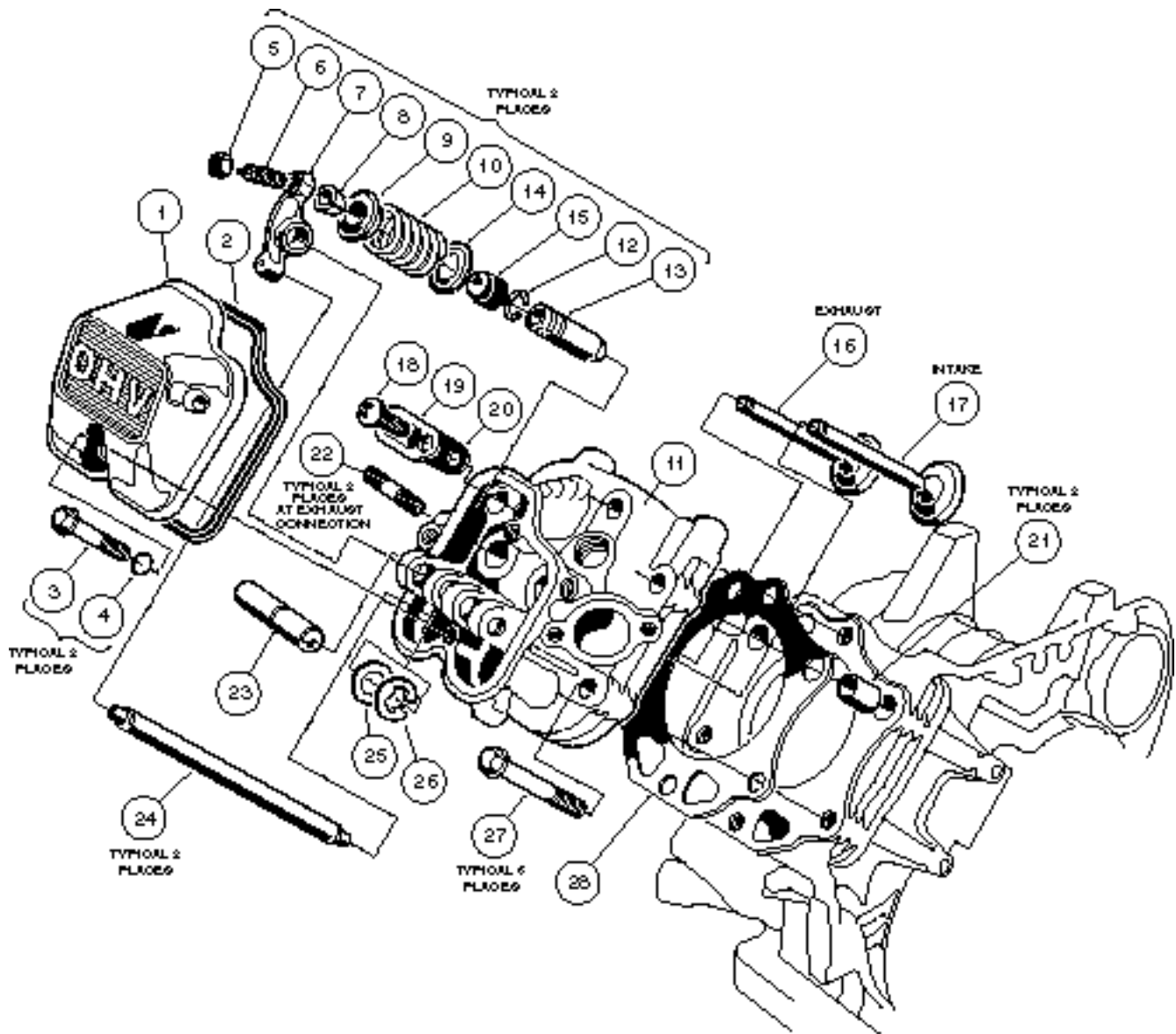


FE 290 ENGINE - CARRYALL I AND II

6

G

ITEM	PART NO.	DESCRIPTION	QTY
		1 2 3 4	
1	1016467	ASSEMBLY, OIL FILTER, OHV	1
2	1016502	BRACKET, OIL FILTER	1
3	1016457	BOLT, FLANGED HEX HEAD, M6 x 1 x 40MM	2
4	1016570	O-RING, OIL FILTER MOUNT	1
5	1016576	PLUG, DRAIN, FE 290	2
6	1016432	GASKET, DRAIN PLUG	2
7	1016498	SCREW, CROSS PAN HEAD, M6 x 1 x 12MM	6
8	1016484	COVER, PUMP	1
9	1016435	GASKET, OIL PUMP	1
10	1016473	PLATE, OIL PUMP	1
11	1016482-03	PUMP, OIL, AND ROTOR	1
12	1016429	SEAT, VALVE	1
13	1016537	BALL, STEEL, PRESSURE RELIEF	1
14	1016581	SPRING	1

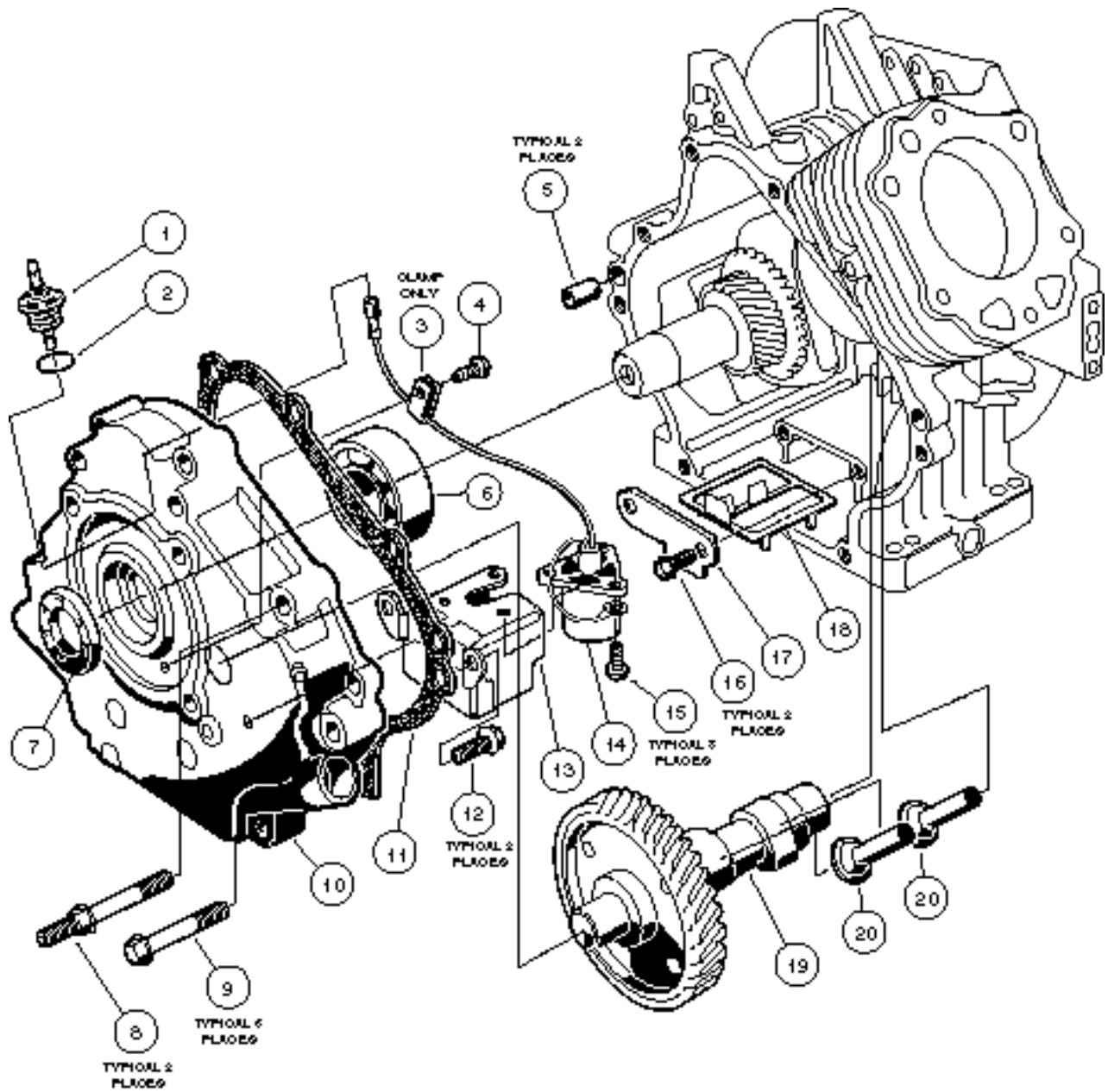


FE 290 ENGINE - CARRYALL I AND II

6

G

ITEM	PART NO.	DESCRIPTION	QTY
		1 2 3 4	
1	1016442	CASE, ROCKER	1
2	1016436	GASKET, ROCKER CASE	1
3	1016583	BOLT, FLANGED, M6 x 1 x 35MM	2
4	1016569	O-RING	2
5	1016545	NUT, HEX, M5 x .8	2
6	1016542	SCREW, STUD, M5 x .8	2
7	1016451	ARM, ROCKER	2
8	1016450	COLLET	2
9	1016449	RETAINER, VALVE SPRING	2
10	1016523	SPRING, ENGINE VALVE	2
11	1016431	ASSEMBLY, CYLINDER HEAD, OHV (INCLUDES ITEMS 12 AND 13)	1
12	1016560	RING, SNAP	2
13	1016519	GUIDE, VALVE	2
14	1016479	SEAT, SPRING	2
15	1016566	SEAL, VALVE	2
16	1016448	VALVE, EXHAUST	1
17	1016447	VALVE, INTAKE	1
18	1016544	SCREW, CROSS PAN HEAD SELF-TAPPING, M5 x .8 x 12MM	1
19	1016474	PLATE	1
20	1016483	VALVE	1
21	1016563	PIN	2
22	1016489	BOLT, STUD, M8 x 1.25 x 29MM	2
23	1016452	SHAFT, ROCKER	1
24	1016471	ROD, PUSH	2
25	1016549	WASHER, FLAT, M12	1
26	1016517	CIRCLIP, TYPE-E	1
27	1016458	BOLT, FLANGED, M8 x 1.25 x 45MM	6
28	1016430	GASKET, HEAD	1

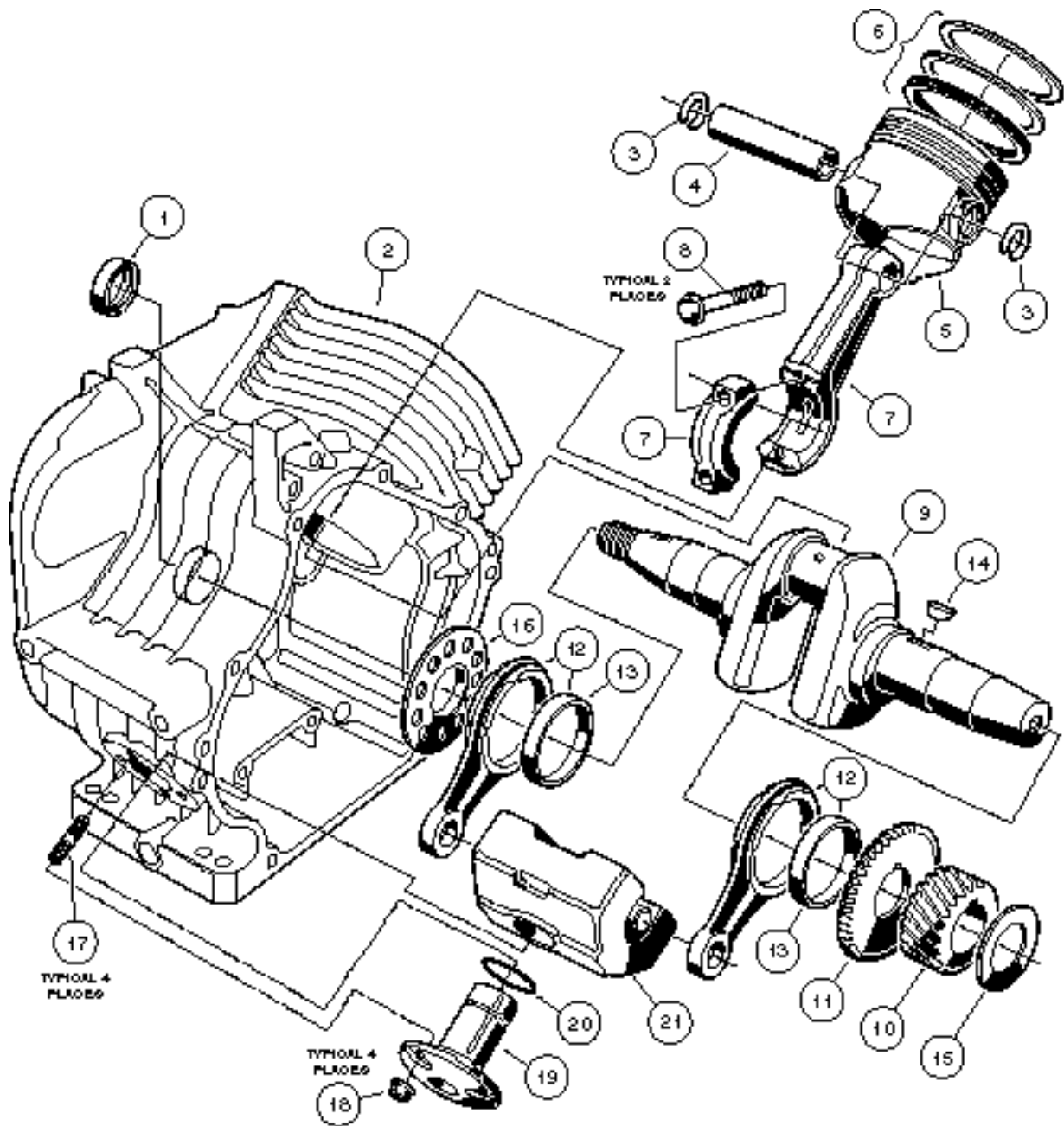


FE 290 ENGINE - CARRYALL I AND II

6

G

ITEM	PART NO.	DESCRIPTION	QTY
		1 2 3 4	
1	1016535	CONNECTOR, CORD	1
2	1016538	O-RING	1
3	1016506	CLAMP	1
4	1016544	SCREW, CROSS PAN HEAD SELF-TAPPING, M5 x .8 x 12MM	1
5	1016564	PIN	2
6	1016565	BEARING, BALL	1
7	1016567	SEAL, CRANKSHAFT	1
8	1016584	BOLT, 2-ENDED, M8 x 1.25 x 69MM	2
9	1016458	BOLT, FLANGED, M8 x 1.25 x 45MM	6
10	1016520	COVER, CRANKCASE	1
11	1016446	GASKET, CRANKCASE COVER	1
12	1016456	BOLT, FLANGED, M6 x 1 x 12MM	2
13	1016510	BRACKET, OIL LEVEL SWITCH	1
14	1016494	SENSOR, OIL LEVEL	1
15	1016496	SCREW, CROSS PAN HEAD, M4 x .7 x 8MM	3
16	1016454	BOLT, FLANGED, M5 x .8 x 8MM	2
17	1016472	PLATE, OIL FILTER SCREEN	1
18	1016521	SCREEN, OIL FILTER	1
19	1016528	CAMSHAFT, COMPLETE	1
20	1016453	TAPPET	2

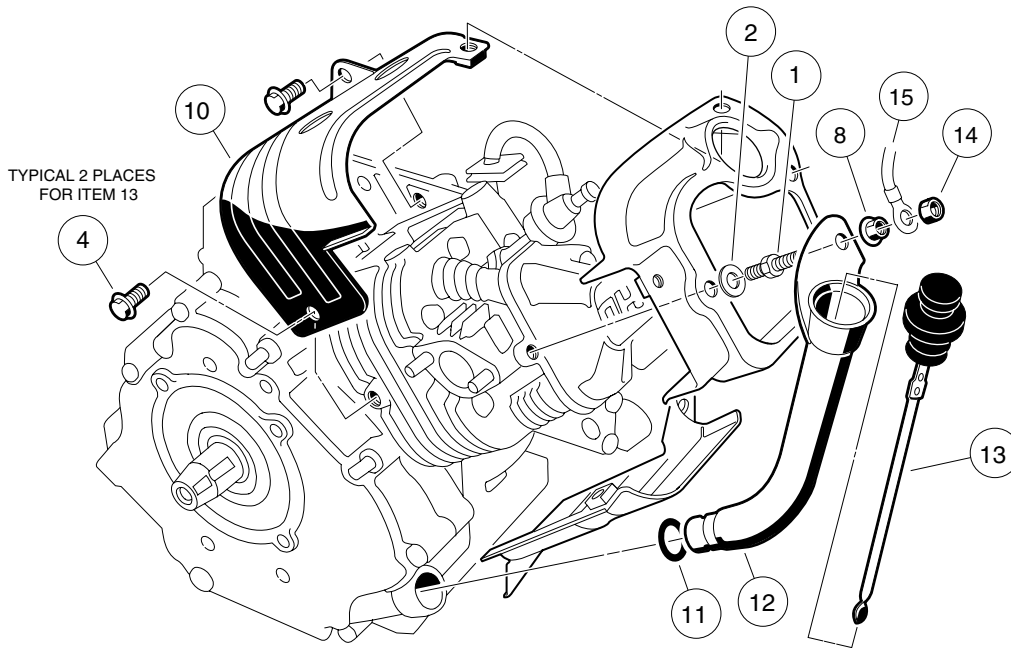
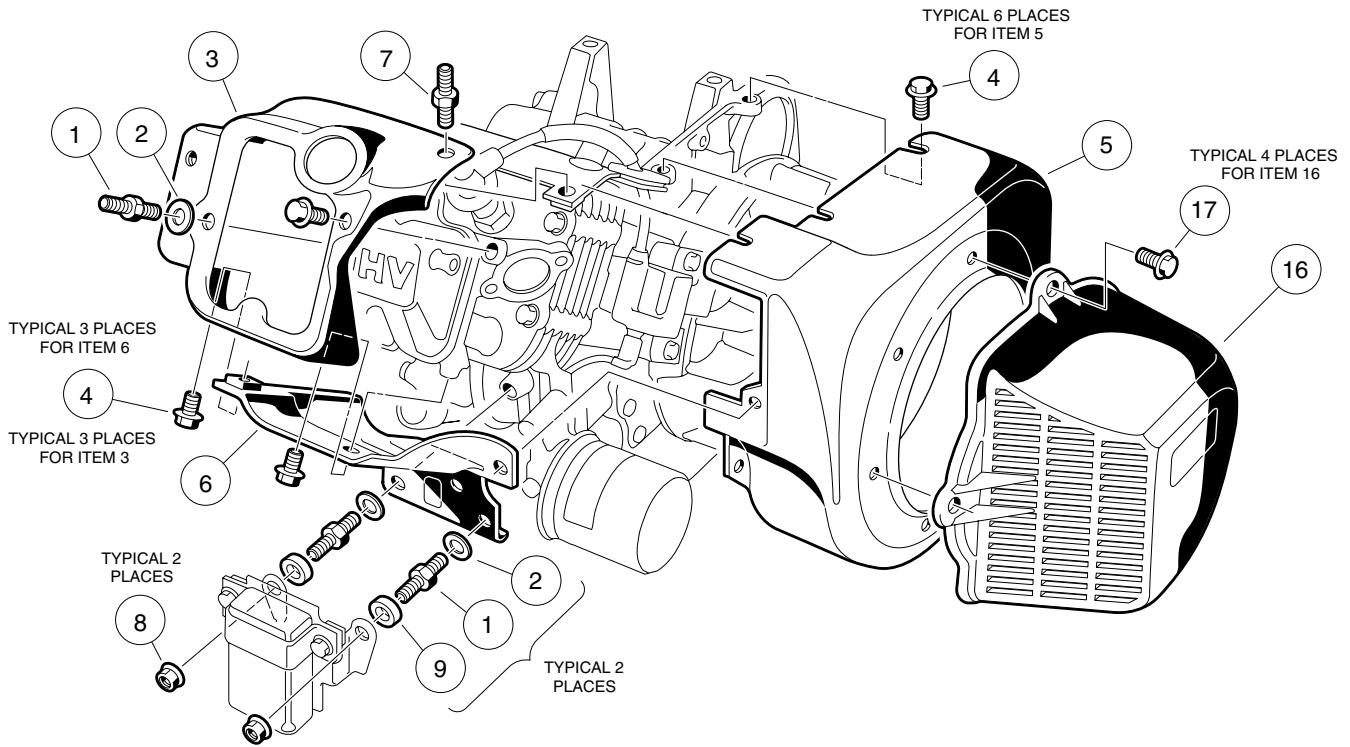


FE 290 ENGINE - CARRYALL I AND II

6

G

ITEM	PART NO.	DESCRIPTION	QTY
		1 2 3 4	
1	1016568	SEAL, OIL	1
2	1016529	CRANKCASE, COMPLETE, OHV	1
3	1016558	RING, SNAP	2
4	1016460	PIN, PISTON	1
5	1016459-01	PISTON, STANDARD	1
5	1016459-02	PISTON, .25MM OVERSIZED	1
5	1016459-03	PISTON, .50MM OVERSIZED	1
6	1016461-01	RING SET, PISTON, STANDARD	1
6	1016461-02	RING SET, PISTON, .25MM OVERSIZED	1
6	1016461-03	RING SET, PISTON, .50MM OVERSIZED	1
7	1016475-01	ASSEMBLY, CONNECTING ROD, STANDARD (INCLUDES 2 EACH OF ITEM 8)	1
7	1016475-02	ASSEMBLY, CONNECTING ROD, .50MM UNDERSIZED (INCLUDES 2 EACH OF ITEM 8)	1
8	1016509	BOLT, HEX HEAD, M7 x 1 x 36MM	2
9	1016468	CRANKSHAFT, OHV (INCLUDES ITEMS 10, 11 AND 12)	1
10	1016533	GEAR, HELICAL	1
11	1016532	GEAR, SPUR	1
12	1016516	ASSEMBLY, CONNECTING ROD (INCLUDES ITEM 13)	2
13	1016580	BEARING, PLAIN	2
14	1016562	KEY	1
15	1016550-01	SHIM, CRANKSHAFT, 1.13MM THICK	A/R
15	1016550-02	SHIM, CRANKSHAFT, 1.18MM THICK	A/R
15	1016550-03	SHIM, CRANKSHAFT, 1.23MM THICK	A/R
15	1016550-04	SHIM, CRANKSHAFT, 1.28MM THICK	A/R
15	1016550-05	SHIM, CRANKSHAFT, 1.33MM THICK	A/R
15	1016550-06	SHIM, CRANKSHAFT, 1.38MM THICK	A/R
15	1016550-07	SHIM, CRANKSHAFT, 1.43MM THICK	A/R
15	1016550-08	SHIM, CRANKSHAFT, 1.48MM THICK	A/R
15	1016550-09	SHIM, CRANKSHAFT, 1.53MM THICK	A/R
16	1016559	SPACER	1
17	1016541	BOLT, STUD, M6 x 1 x 22MM	4
18	1016547	NUT, FLANGED, M6 x 1	4
19	1016470	SHAFT, GUIDE COUNTERBALANCE	1
20	1016571	O-RING	1
21	1016469	WEIGHT, COUNTERBALANCE	1

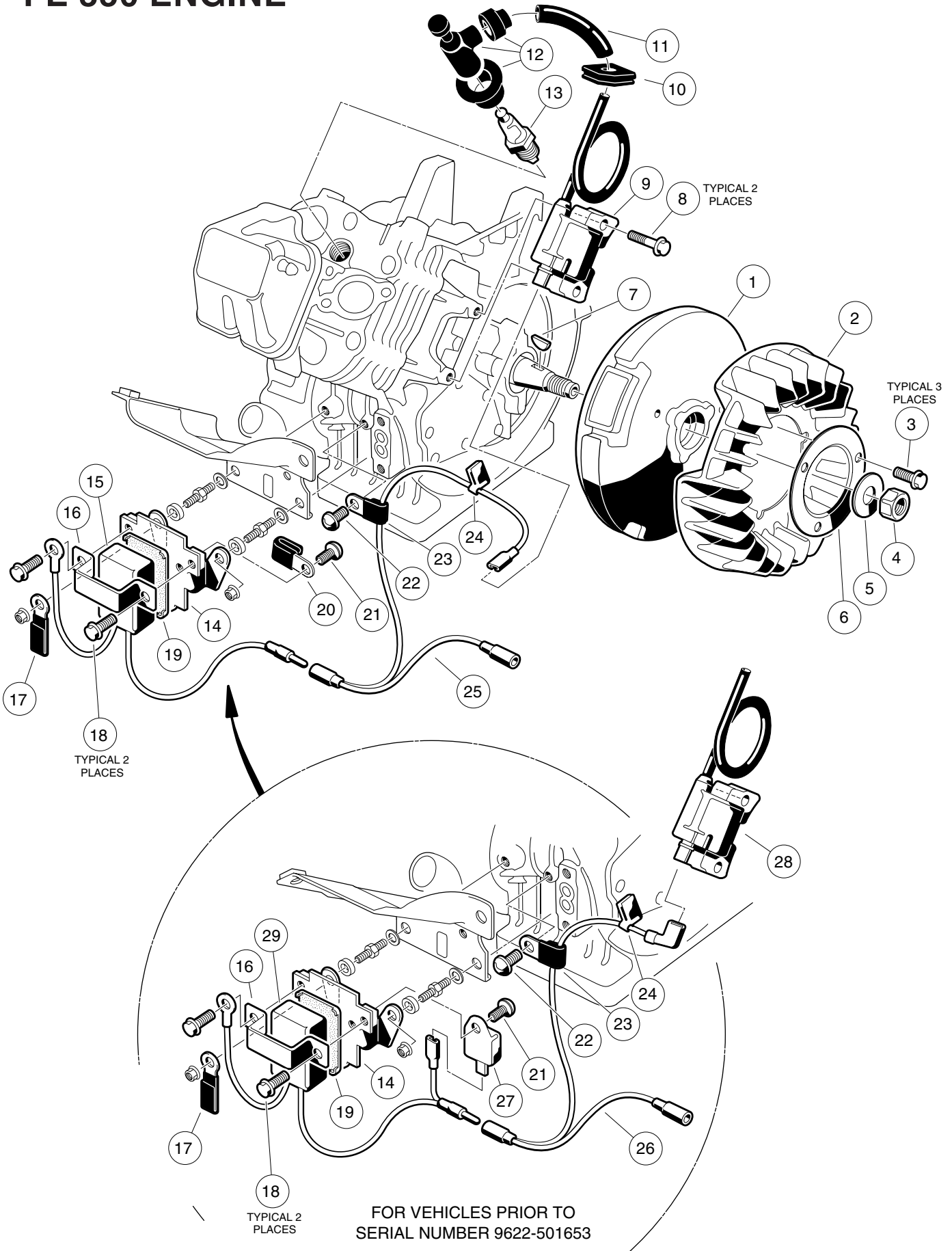


FE 350 ENGINE CARRYALL II PLUS AND VI

6

G

ITEM	PART NO.	DESCRIPTION	QTY
		1 2 3 4	
	1016809-01	FE 350 OHV GASOLINE ENGINE, COMPLETE (DOES NOT INCLUDE ITEMS 14 - 17) .	1
1	1016507	SCREW, 2-ENDED, M6 x 1 x 29MM	3
2	1016512	WASHER, FLAT, 6 MM	3
3	1017474	SHROUD, CYLINDER HEAD	1
4	1016456	BOLT, FLANGED, M6 x 1 x 12MM	14
5	1017485	HOUSING, FAN	1
6	1017476	SHROUD, LOWER CYLINDER	1
7	1017221	BOLT, 2-ENDED HEX, M6 x 1 x 46MM	1
8	1016547	NUT, M6 x 1	3
9	1017500	SPACER	2
10	1017475	SHROUD, UPPER CYLINDER	1
11	1016539	O-RING	1
12	1017486	TUBE, OIL FILLER	1
13	1016531	DIPSTICK	1
14	1011114	NUT, M6 x 1	3
15	1015332	WIRE ASSEMBLY, #10 BRAIDED GROUND	1
16	1015649	SHROUD, FAN	1
17	1015969	SCREW, PAN HEAD, M6 x 1 x 14 MM	4

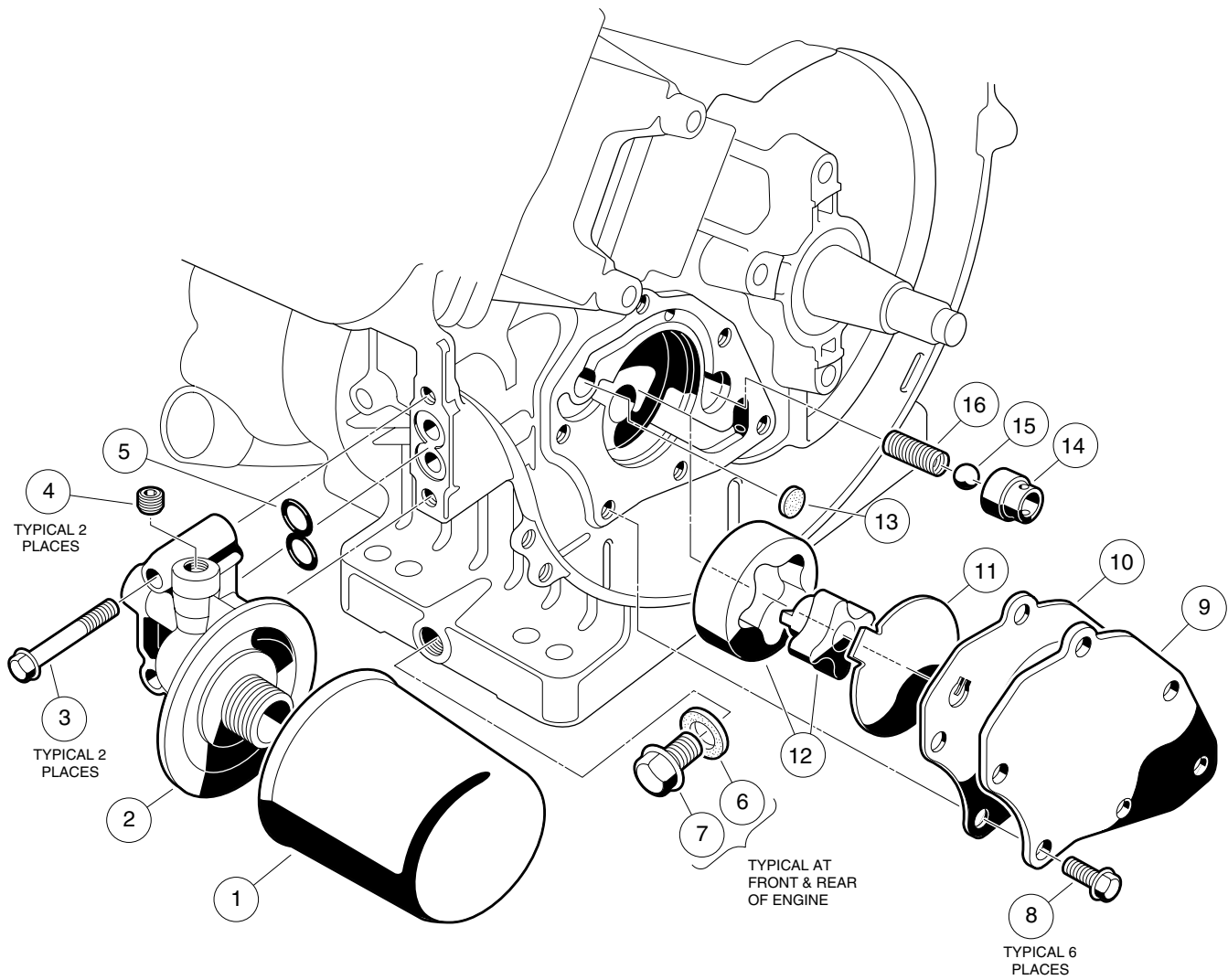


FE 350 ENGINE CARRYALL II PLUS AND VI

6

G

ITEM	PART NO.	DESCRIPTION	QTY
		1 2 3 4	
1	1017464	FLYWHEEL	1
2	1017482	FAN, FLYWHEEL	1
3	1017448	SCREW, FLANGED HEX HEAD, M6 x 1 x 10MM	3
4	1017467	NUT, HEX, 18MM FINE	1
5	1017490	WASHER, FLAT, 18MM	1
6	1017455	PLATE, FLYWHEEL FAN	1
7	1016562	KEY	1
8	1016455	SCREW, HEX HEAD FLANGED, M5 x 0.8 x 25MM	2
9	1019092-01	COIL, IGNITION (WITH INTERNAL IGNITER) (FOR VEHICLES SERIAL NUMBER 9622-501653 AND LATER)	1
10	1016578	GROMMET	1
11	1016588	TUBE, 7MM I.D. x 10MM O.D. x 70MM LG.	1
12	1017463	ASSEMBLY, PLUG CAP	1
13	1018811-01	PLUG, SPARK	1
14	1016445	BRACKET, RPM LIMITER	1
15	1019094-01	LIMITER, RPM (FOR VEHICLES SERIAL NUMBER 9622-501653 AND LATER)	1
16	1016579	BAND, RPM LIMITER MOUNT	1
17	1012981	CLAMP	1
18	1016456	SCREW, FLANGED HEX HEAD, M6 x 1 x 12MM	2
19	1016586	DAMPER	1
20	1019095-01	CLAMP (FOR VEHICLES SERIAL NUMBER 9622-501653 AND LATER)	1
21	1016497	SCREW, CROSS PAN HEAD, M5 x .08 x 8MM	1
22	1016544	SCREW, CROSS PAN HEAD SELF-TAPPING, M5 x 12MM	1
23	1016561	CLAMP	1
24	1016587	CLAMP	1
25	1019092-01	WIRE, LEAD (FOR VEHICLES SERIAL NUMBER 9622-501653 AND LATER)	1
26	1016503	WIRE, LEAD (FOR VEHICLES PRIOR TO SERIAL NUMBER 9622-501653)	1
27	1016491	IGNITER (FOR VEHICLES PRIOR TO SERIAL NUMBER 9622-501653)	1
28	1016492	COIL, IGNITION (FOR VEHICLES PRIOR TO SERIAL NUMBER 9622-501653)	1
29	1016511	LIMITER, RPM (FOR VEHICLES PRIOR TO SERIAL NUMBER 9622-501653)	1

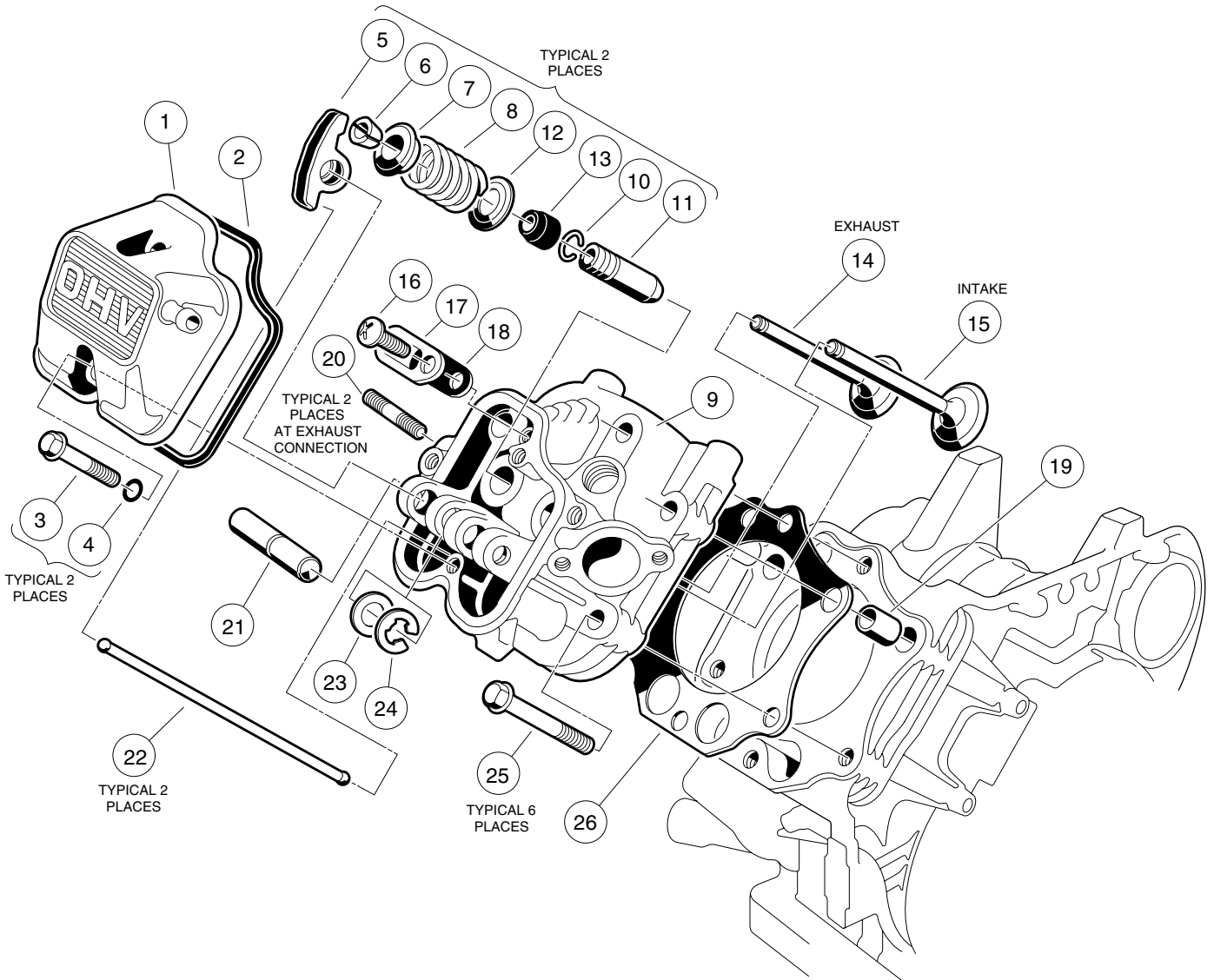


FE 350 ENGINE CARRYALL II PLUS AND VI

6

G

ITEM	PART NO.	DESCRIPTION	QTY
		1 2 3 4	
1	1016467	OIL FILTER	1
2	1016502	BRACKET, OIL FILTER	1
3	1016457	BOLT, FLANGED HEX HEAD, M6 x 1 x 40MM	2
4	1017507	PLUG	2
5	1016570	O-RING	1
6	1016432	GASKET, DRAIN PLUG	2
7	1016576	PLUG, DRAIN	2
8	1017456	SCREW, FLANGED HEX HEAD, M6 x 1 x 12MM	6
9	1017460	COVER, PUMP	1
10	1016435	GASKET, OIL PUMP	1
11	1016473	PLATE, OIL PUMP	1
12	1016482-03	PUMP, OIL, AND ROTOR	1
13	1017458	FILTER	1
14	1016429	SEAT, VALVE	1
15	1016537	BALL, STEEL, PRESSURE RELIEF	1
16	1016581	SPRING	1

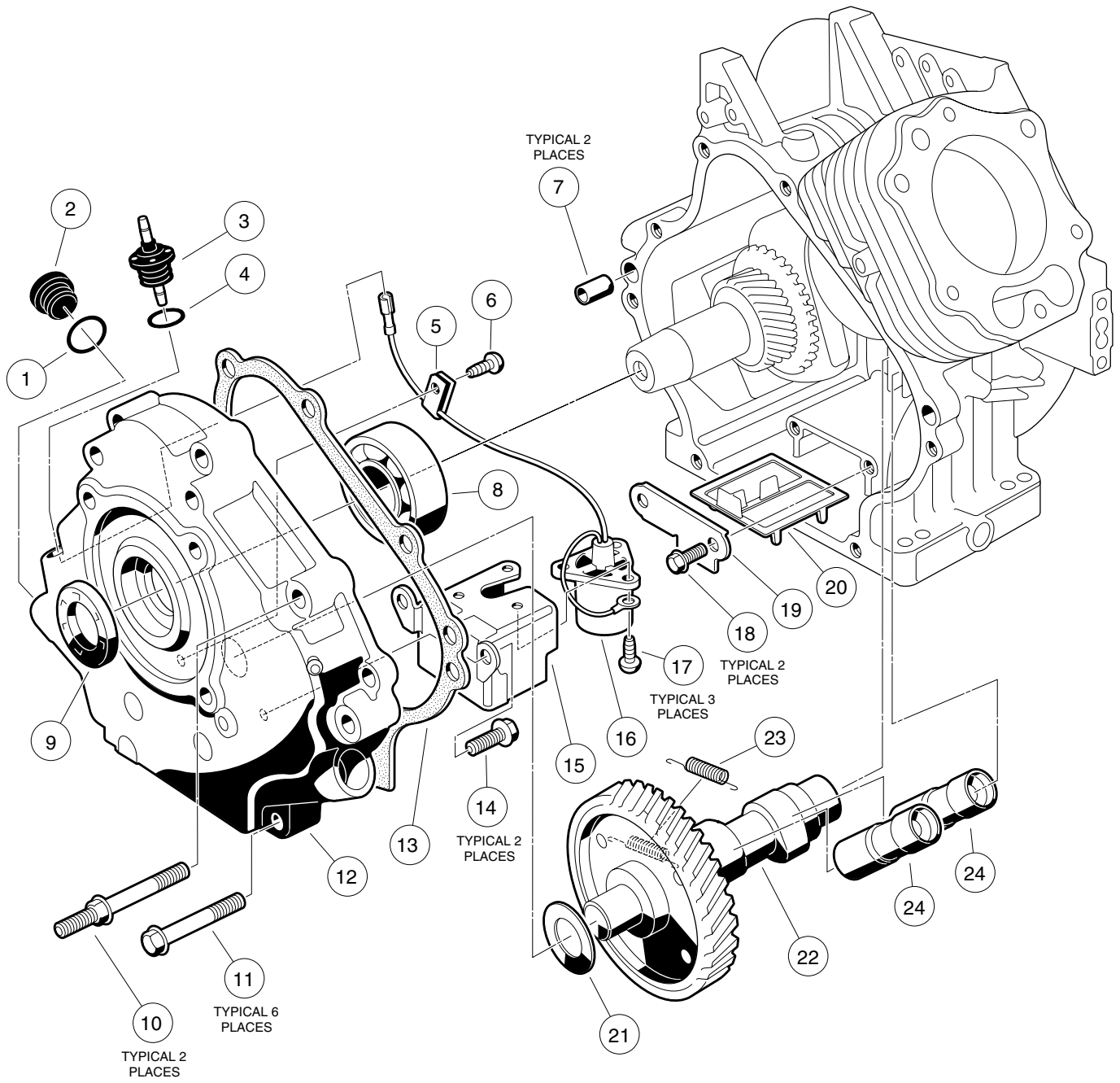


FE 350 ENGINE CARRYALL II PLUS AND VI

6

G

ITEM	PART NO.	DESCRIPTION	QTY
		1 2 3 4	
1	1016442	CASE, ROCKER	1
2	1016436	GASKET, ROCKER CASE	1
3	1016583	BOLT, FLANGED, M6 x 1 x 35MM	2
4	1016569	O-RING	2
5	1017446	ARM, ROCKER	2
6	1016450	COLLET	4
7	1016449	RETAINER, VALVE SPRING	2
8	1017473	SPRING, ENGINE VALVE	2
9	1017435	ASSEMBLY, CYLINDER HEAD, FE 350 (INCLUDES ITEMS 10 AND 11)	1
10	1016560	RING, SNAP	2
11	1016519	GUIDE, VALVE	2
12	1016479	SEAT, SPRING	2
13	1016566	SEAL, VALVE	2
14	1017445	VALVE, EXHAUST	1
15	1017444	VALVE, INTAKE	1
16	1016544	SCREW, CROSS PAN HEAD SELF-TAPPING, M5 x .8 x 12MM	1
17	1016474	PLATE	1
18	1016483	VALVE	1
19	1016563	PIN	2
20	1016489	BOLT, STUD, M8 x 1.25 x 29MM	2
21	1016452	SHAFT, ROCKER	1
22	1017454	ROD, PUSH	2
23	1016549	WASHER, FLAT, M12	1
24	1016517	CIRCLIP, TYPE-E	1
25	1016458	BOLT, FLANGED, M8 x 1.25 x 45MM	6
26	1017434	GASKET, HEAD	1

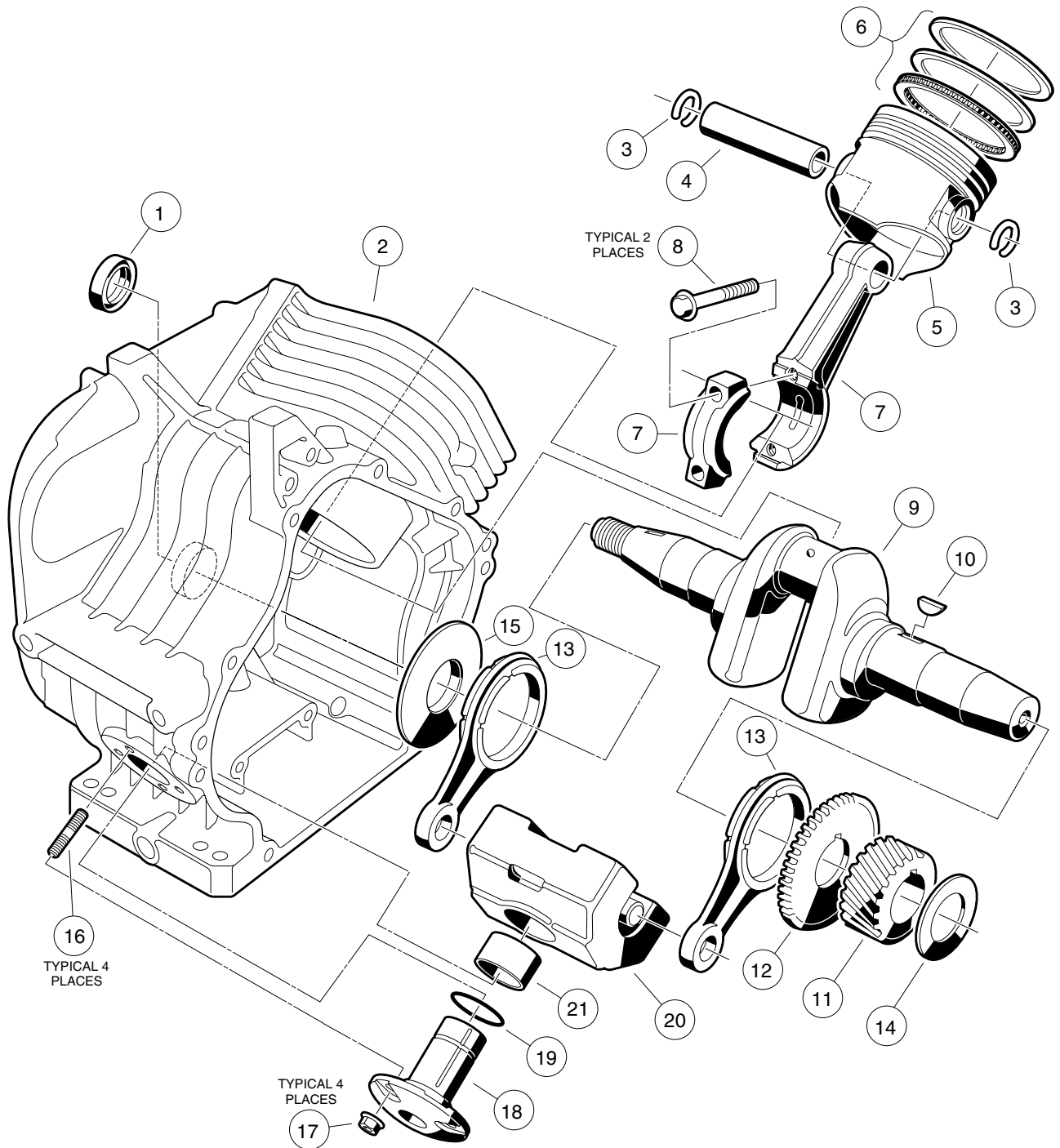


FE 350 ENGINE CARRYALL II PLUS AND VI

6

G

ITEM	PART NO.	DESCRIPTION	QTY
		1 2 3 4	
1	1016538	O-RING	1
2	1017508	PLUG	1
3	1016535	CONNECTOR, OIL SENDING UNIT	1
4	1016538	O-RING	1
5	1016506	CLAMP	1
6	1016544	SCREW, CROSS PAN HEAD SELF-TAPPING, M5 x .8 x 12MM	1
7	1016564	PIN	2
8	1017487	BEARING, CRANKSHAFT	1
9	1017504	SEAL, CRANKSHAFT	1
10	1016584	SCREW, 2-ENDED FLANGED, M8 x 1.25 x 69MM	2
11	1017514	BOLT, FLANGED, M8 x 1.25 x 45MM	6
12	1017472	COVER, CRANKCASE	1
13	1017443	GASKET, CRANKCASE COVER	1
14	1017513	BOLT, FLANGED, M6 x 1 x 12MM	2
15	1016510	BRACKET, OIL LEVEL SWITCH	1
16	1016494	SENSOR, OIL LEVEL	1
17	1016496	SCREW, CROSS PAN HEAD, M4 x .7 x 8MM	3
18	1016454	BOLT, FLANGED, M5 x .8 x 8MM	2
19	1016472	PLATE, OIL FILTER SCREEN	1
20	1016521	SCREEN, OIL FILTER	1
21	1017518-01	SHIM, 0.3MM THICK	A/R
21	1017518-02	SHIM, 0.4MM THICK	A/R
21	1017518-03	SHIM, 0.5MM THICK	A/R
22	1017478	CAMSHAFT, FE 350 (INCLUDES ITEM 23)	1
23	1017511	SPRING	1
24	1017447	LIFTER, HYDRAULIC	2



FE 350 ENGINE CARRYALL II PLUS AND VI

6

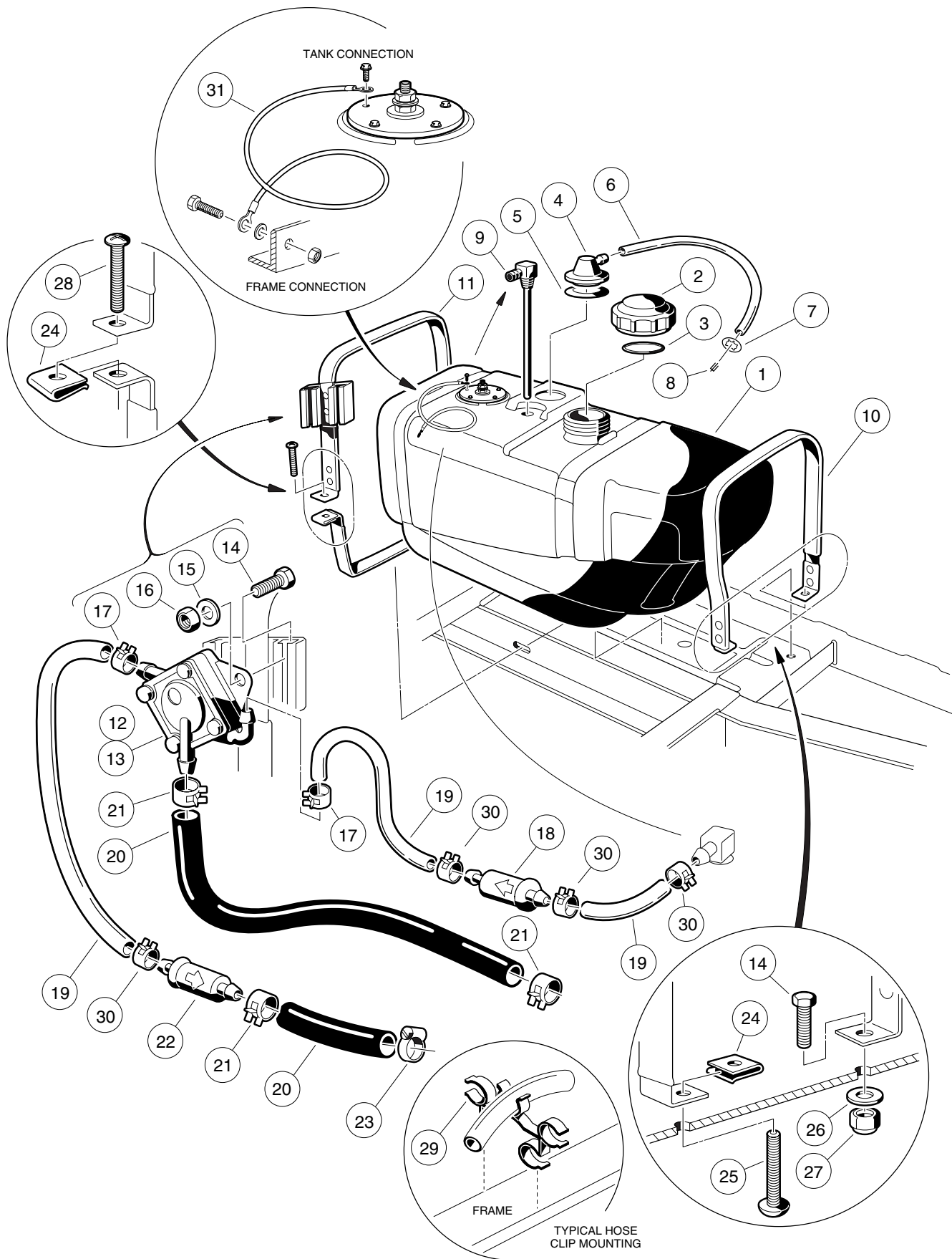
G

ITEM	PART NO.	DESCRIPTION	QTY
		1 2 3 4	
1	1017503	SEAL, OIL	1
2	1017479	CRANKCASE, COMPLETE, FE 350	1
3	1017502	RING, SNAP	2
4	1017450	PIN, PISTON	1
5	1017449-01	PISTON, STANDARD	1
5	1017449-02	PISTON, .50MM OVERSIZED	1
6	1017451-01	RING SET, PISTON, STANDARD	1
6	1017451-02	RING SET, PISTON, .50MM OVERSIZED	1
7	1017457-01	ASSEMBLY, CONNECTING ROD, STANDARD (INCLUDES 2 EACH OF ITEM 8)	1
7	1017457-02	ASSEMBLY, CONNECTING ROD, .50MM UNDERSIZED) (INCLUDES 2 EACH OF ITEM 8)	1
8	1017512	BOLT, HEX HEAD, M7 x 1 x 36MM	2
9	1017452	CRANKSHAFT, COMPLETE, FE 350 (INCLUDES ITEMS 10 - 13)	1
10	1016562	KEY	1
11	1016533	GEAR, HELICAL	1
12	1016532	GEAR, SPUR	1
13	1017457	ROD	2
14	1017733-01	SHIM, CRANKSHAFT, 1.18MM THICK	A/R
14	1017733-02	SHIM, CRANKSHAFT, 1.25MM THICK	A/R
14	1017733-03	SHIM, CRANKSHAFT, 1.32MM THICK	A/R
14	1017733-04	SHIM, CRANKSHAFT, 1.39MM THICK	A/R
14	1017733-05	SHIM, CRANKSHAFT, 1.46MM THICK	A/R
14	1017733-06	SHIM, CRANKSHAFT, 1.53MM THICK	A/R
14	1017733-07	SHIM, CRANKSHAFT, 1.60MM THICK	A/R
14	1017733-08	SHIM, CRANKSHAFT, 1.67MM THICK	A/R
14	1017733-09	SHIM, CRANKSHAFT, 1.74MM THICK	A/R
14	1017733-10	SHIM, CRANKSHAFT, 1.11MM THICK	A/R
14	1017733-11	SHIM, CRANKSHAFT, 1.81MM THICK	A/R
15	1017502	SPACER	1
16	1016541	BOLT, STUD, M6 x 1 x 22MM	4
17	1016547	NUT, FLANGED, M6 x 1	4
18	1016470	SHAFT, GUIDE COUNTERBALANCE	1
19	1016571	O-RING	1
20	1017453	WEIGHT, COUNTERBALANCE (INCLUDES ITEM 21)	1
21	1017510	BEARING	1

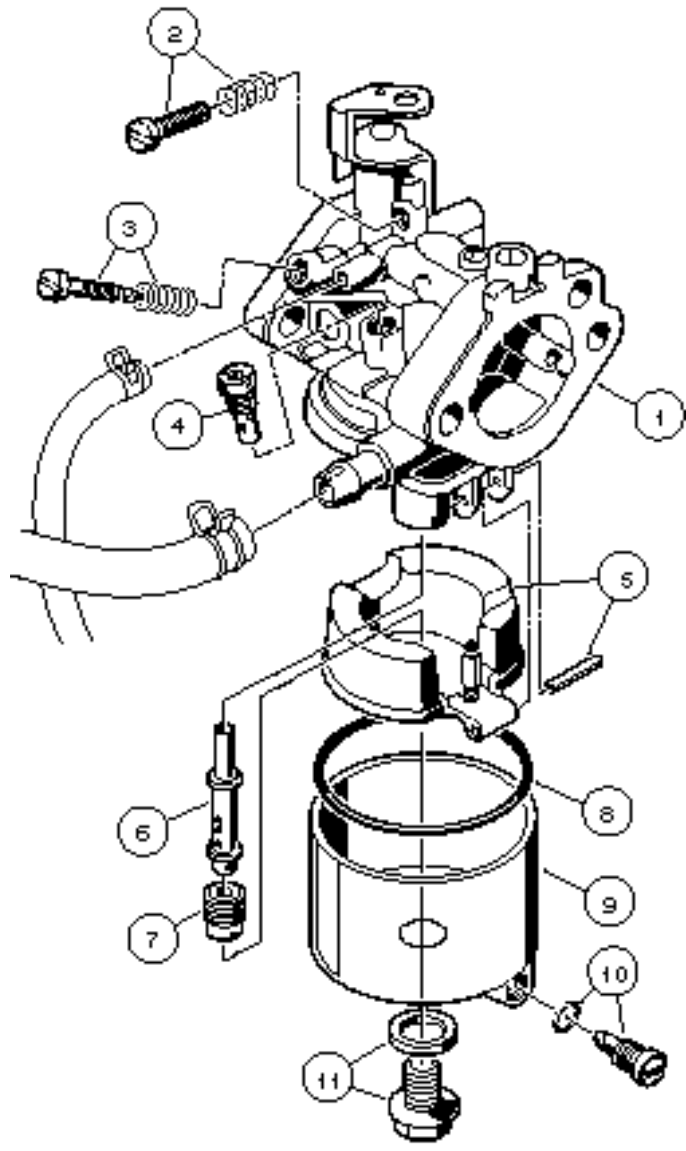
FUEL, INTAKE, AND GOVERNOR SYSTEMS

7

G



ITEM	PART NO.	DESCRIPTION	QTY
		1 2 3 4	
1	1016004	KIT, FUEL TANK, WITH SENDING UNIT (INCLUDES ITEMS 2 - 9)	1
2	1015188	CAP, FUEL TANK, NONVENTED (INCLUDES GASKET)	1
3	1014535	GASKET, FUEL CAP	1
4	1015143	ASSEMBLY, FUEL TANK VENT	1
5	1015139	GROMMET, INSULATION	1
6	1015137	LINE, BULK (FUEL TANK VENT)	A/R
7	1016059	CLIP, STUD	1
8	1018244-01	BARB, VENT	1
9	1012619	TUBE, FUEL PICK-UP	1
10	1014928	ASSEMBLY, REAR FUEL STRAP	1
11	1014927	ASSEMBLY, FRONT FUEL STRAP	1
12	1014523	PUMP, FUEL IMPULSE, SQUARE BODY	1
13	1014524	PUMP, FUEL IMPULSE, SQUARE BODY REBUILD KIT	1
14	0007847	SCREW, HEX HEAD CAP, 1/4 - 20 x 3/4	3
15	0000451	WASHER, LOCK, 1/4	2
16	0001028	NUT, HEX, 1/4 - 20	2
17	1013134-01	CLAMP, HOSE (BLACK)	2
18	1013684	FILTER , PRIMARY FUEL (WHITE)	1
19	1012293	LINE, BULK FUEL (YELLOW)	A/R
20	1013692	LINE, BULK FUEL (BLACK)	A/R
21	1012649	CLAMP, HOSE (RED)	3
22	1014522	FILTER, SECONDARY FUEL (BLUE)	1
23	1013687	CLAMP, HOSE, 3/8	1
24	1014116	NUT, U-TYPE SPEED, 1/4 - 20	2
25	1013176	SCREW, PHILLIPS TRUSS HEAD, 1/4 - 20 x 2 1/2	1
26	0000332	WASHER, FLAT, 1/4	1
27	0008233	NUT, NYLON LOCK, 1/4 - 20	1
28	1011988	SCREW, PHILLIPS TRUSS HEAD, 1/4 - 20 x 2	1
29	1016666	CLIP, BLACK FUEL (QUANTITY OF 4 FOR CARRYALL II AND II PLUS VEHICLES)	2
30	1013134-02	CLAMP, HOSE (GREEN)	4
31	1015921	WIRE ASSEMBLY, #16 BLACK	1
	1015014	KIT, FUEL TANK SERVICE (INCLUDES ITEMS 10, 11, 14, 15, 16, 19, 20, 24, 26, 27 AND 28)	1

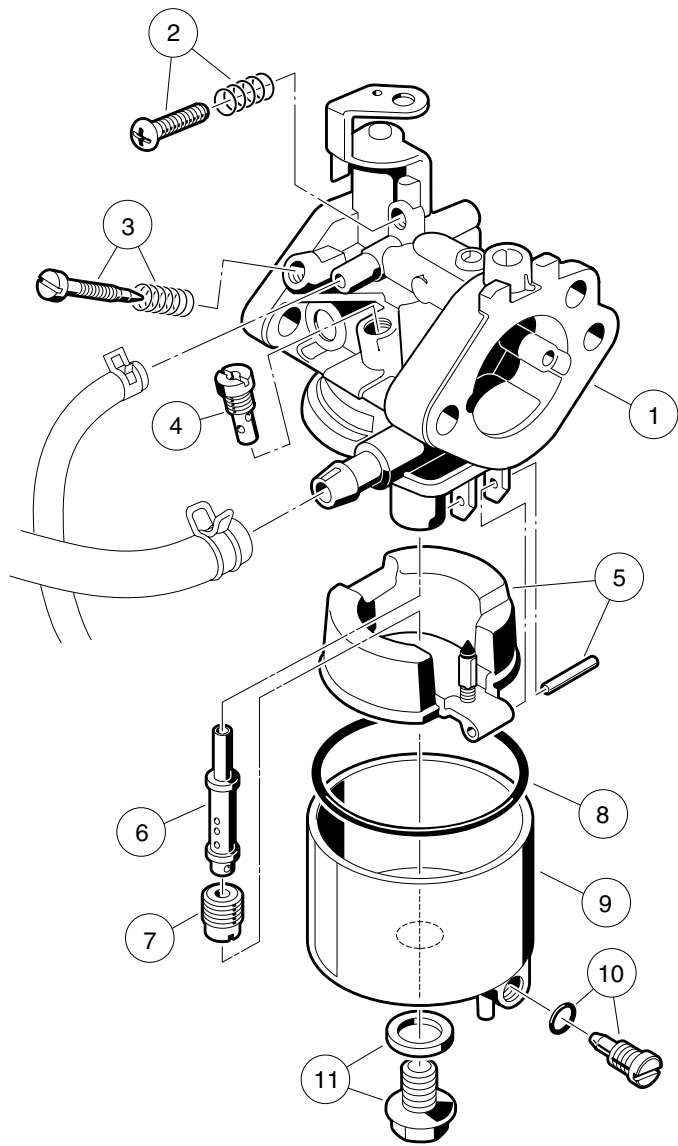


CARBURETOR ASSEMBLY, FE 290 CARRYALL I AND II

7

G

ITEM	PART NO.	DESCRIPTION	QTY
		1 2 3 4	
1	1016478	ASSEMBLY, CARBURETOR (INCLUDES ITEMS 2 - 11)	1
2	1016501	ASSEMBLY, IDLE SCREW	1
3	1016500	ASSEMBLY, PILOT AIR SCREW	1
4	1016574	JET, PILOT, #45	1
5	1016486	ASSEMBLY, FLOAT	1
6	1016530	NOZZLE, MAIN	1
		STANDARD JETTING:	
7	1016425-80	JET, MAIN, 0 - 3,000 FEET	A/R
7	1016425-78	JET, MAIN, 3,000 - 5,000 FEET	A/R
7	1016425-75	JET, MAIN, 5,000 - 8,000 FEET	A/R
7	1016425-72	JET, MAIN, 8,000 - 10,000 FEET	A/R
7	1016425-70	JET, MAIN, 10,000 FEET AND ABOVE	A/R
		BEST COLD STARTING:	
7	1016425-82	JET, MAIN, 0 - 3,000 FEET	A/R
7	1016425-80	JET, MAIN, 3,000 - 5,000 FEET	A/R
7	1016425-78	JET, MAIN, 5,000 - 8,000 FEET	A/R
7	1016425-75	JET, MAIN, 8,000 - 10,000 FEET	A/R
7	1016425-72	JET, MAIN, 10,000 FEET AND ABOVE	A/R
8	1016437	GASKET, FLOAT CHAMBER	1
9	1016487	ASSEMBLY, FLOAT CHAMBER (INCLUDES ITEM 10)	1
10	1016499	ASSEMBLY, SCREW	1
11	1016585	ASSEMBLY, BOLT	1

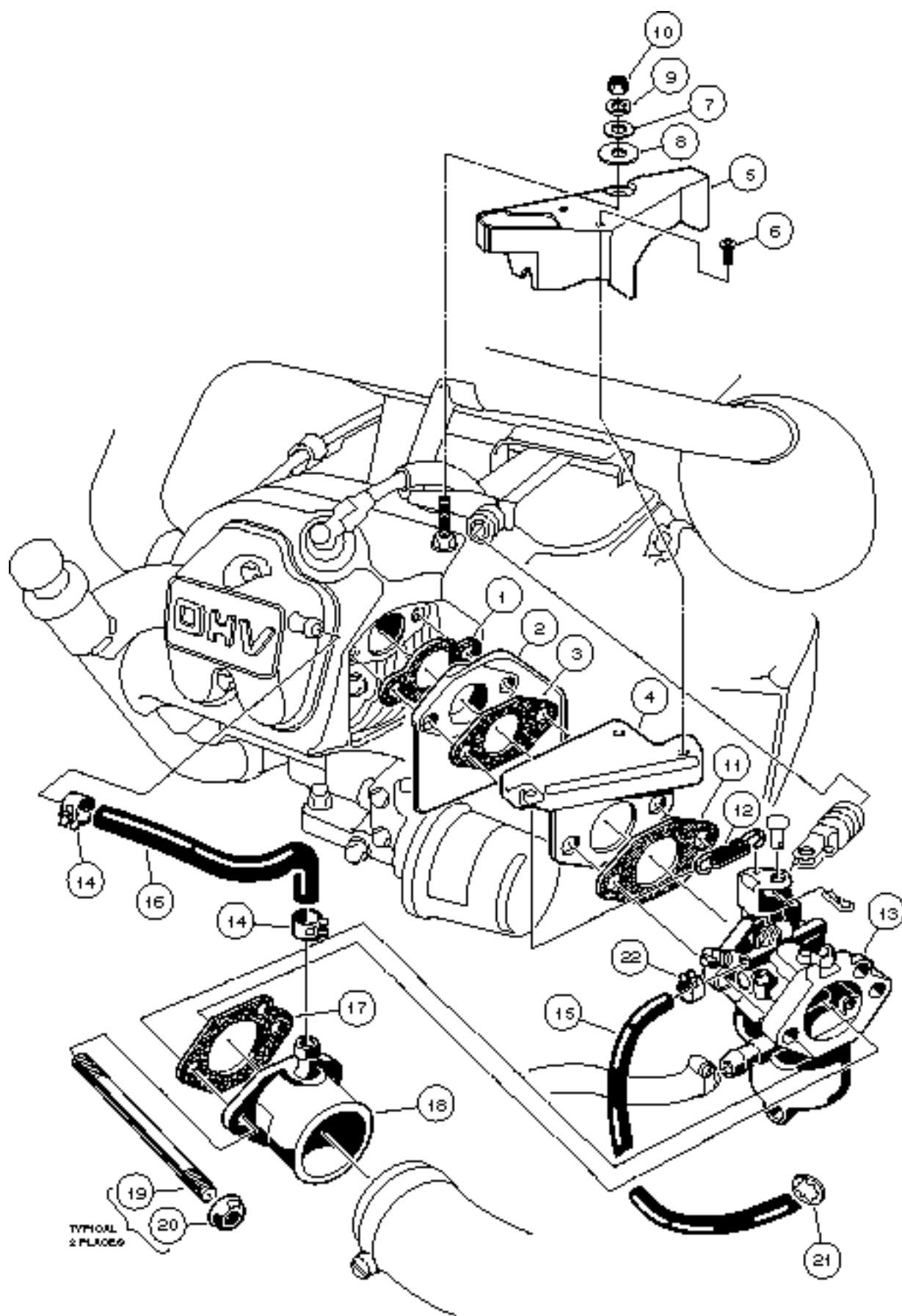


CARBURETOR ASSEMBLY, FE 350 CARRYALL II PLUS AND VI

7

G

ITEM	PART NO.	DESCRIPTION	QTY
		1 2 3 4	
1	1017459	ASSEMBLY, CARBURETOR (INCLUDES ITEMS 2 - 11)	1
2	1017465	ASSEMBLY, IDLE SCREW	1
3	1016500	ASSEMBLY, PILOT AIR SCREW	1
4	1017506	JET, PILOT, #48	1
5	1016486	ASSEMBLY, FLOAT	1
6	1017480	NOZZLE, MAIN	1
7	1016425-92	JET, MAIN, 0 - 3000 FEET	A/R
7	1016425-90	JET, MAIN, 3000 - 5000 FEET	A/R
7	1016425-88	JET, MAIN, 5000 - 8000 FEET	A/R
7	1016425-85	JET, MAIN, 8000 - 10,000 FEET	A/R
7	1016425-82	JET, MAIN, 10,000 FEET AND HIGHER	A/R
8	1016437	GASKET, FLOAT CHAMBER	1
9	1017461	ASSEMBLY, FLOAT CHAMBER (INCLUDES ITEM 10)	1
10	1016499	ASSEMBLY, SCREW	1
11	1016585	ASSEMBLY, BOLT	1

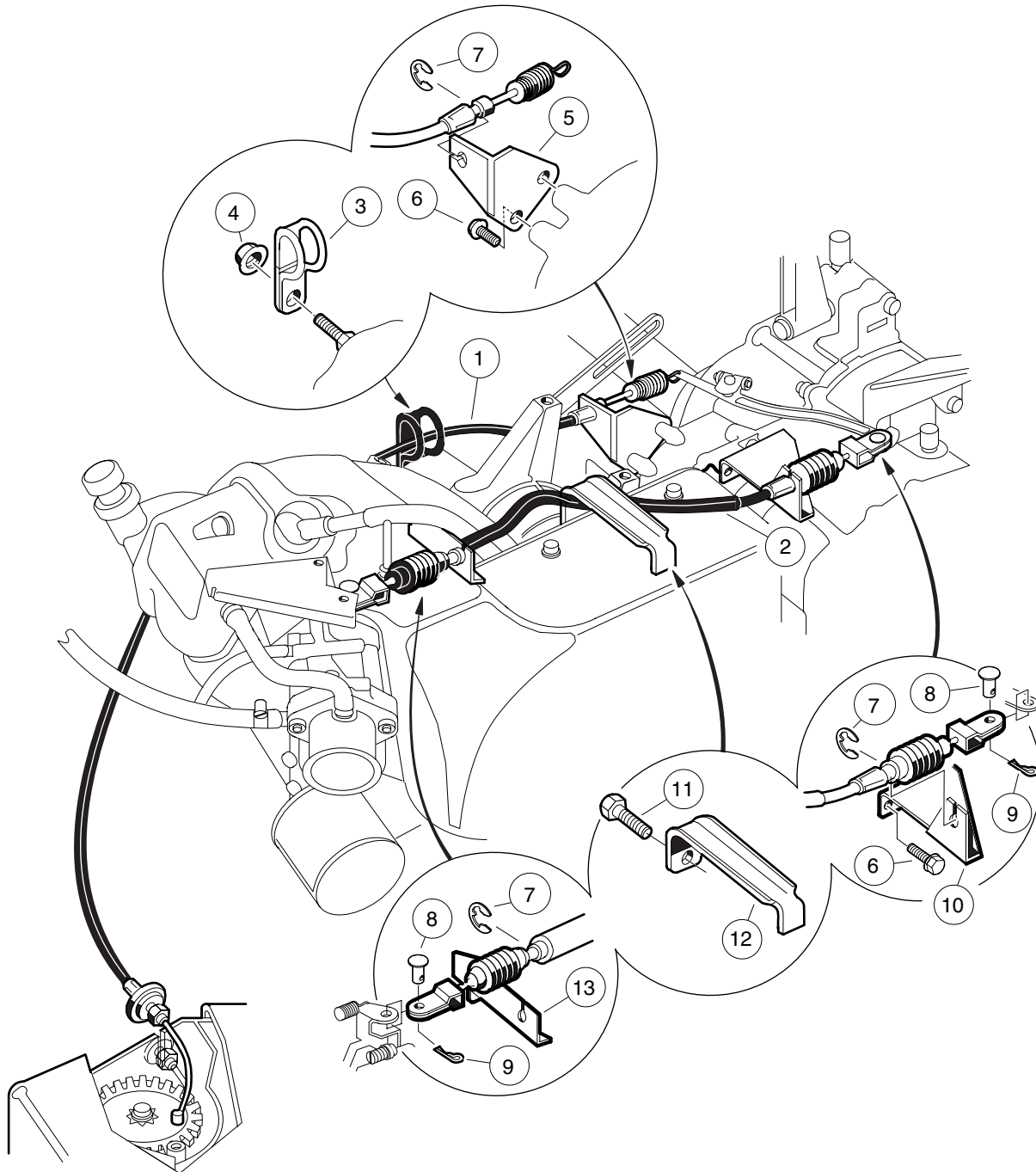


CARBURETOR INSTALLATION

7

G

ITEM	PART NO.	DESCRIPTION	QTY
		1 2 3 4	
1	1016440	GASKET, INSULATOR	1
2	1016481	INSULATOR, CARBURETOR	1
3	1016439	GASKET, CARBURETOR INSULATOR TO THROTTLE BRACKET	1
4	1016444	BRACKET, THROTTLE	1
5	1018202-01	GUARD, GOVERNOR (CARRYALL I AND II)	1
6	1016103	SCREW, PAN/TORX HEAD SELF-TAPPING, #6 - 32 x 1/4 (CARRYALL I AND II)	2
7	0000332	WASHER, FLAT, 1/4 (CARRYALL I AND II)	1
8	0000334	WASHER, FLAT, 3/8 (CARRYALL I AND II)	1
9	0000451	WASHER, LOCK, 1/4 (CARRYALL I AND II)	1
10	1018876-01	NUT, NYLON LOCK, M6 x 1 (CARRYALL I AND II)	1
11	1016441	GASKET, THROTTLE BRACKET TO CARBURETOR	1
12	1016582	SPRING, THROTTLE RETURN	1
13	1016478	ASSEMBLY, CARBURETOR (FOR CARRYALL I AND II)	1
13	1017459	ASSEMBLY, CARBURETOR (FOR CARRYALL II PLUS AND VI)	1
14	1017466	CLAMP, HOSE	2
15	1015877-01	TUBE, AIR VENT	1
16	1016572	TUBE, CRANKCASE VENT	1
17	1016438	GASKET, CARBURETOR TO INTAKE MANIFOLD	1
18	1016480	PIPE, INTAKE	1
19	1016490	SCREW, 2-ENDED STUD, M6 x 1 x 92MM	2
20	1016547	NUT, FLANGED, M6 x 1	2
21	1016059	CLIP, STUD	1
22	1013746	CLAMP, HOSE	1

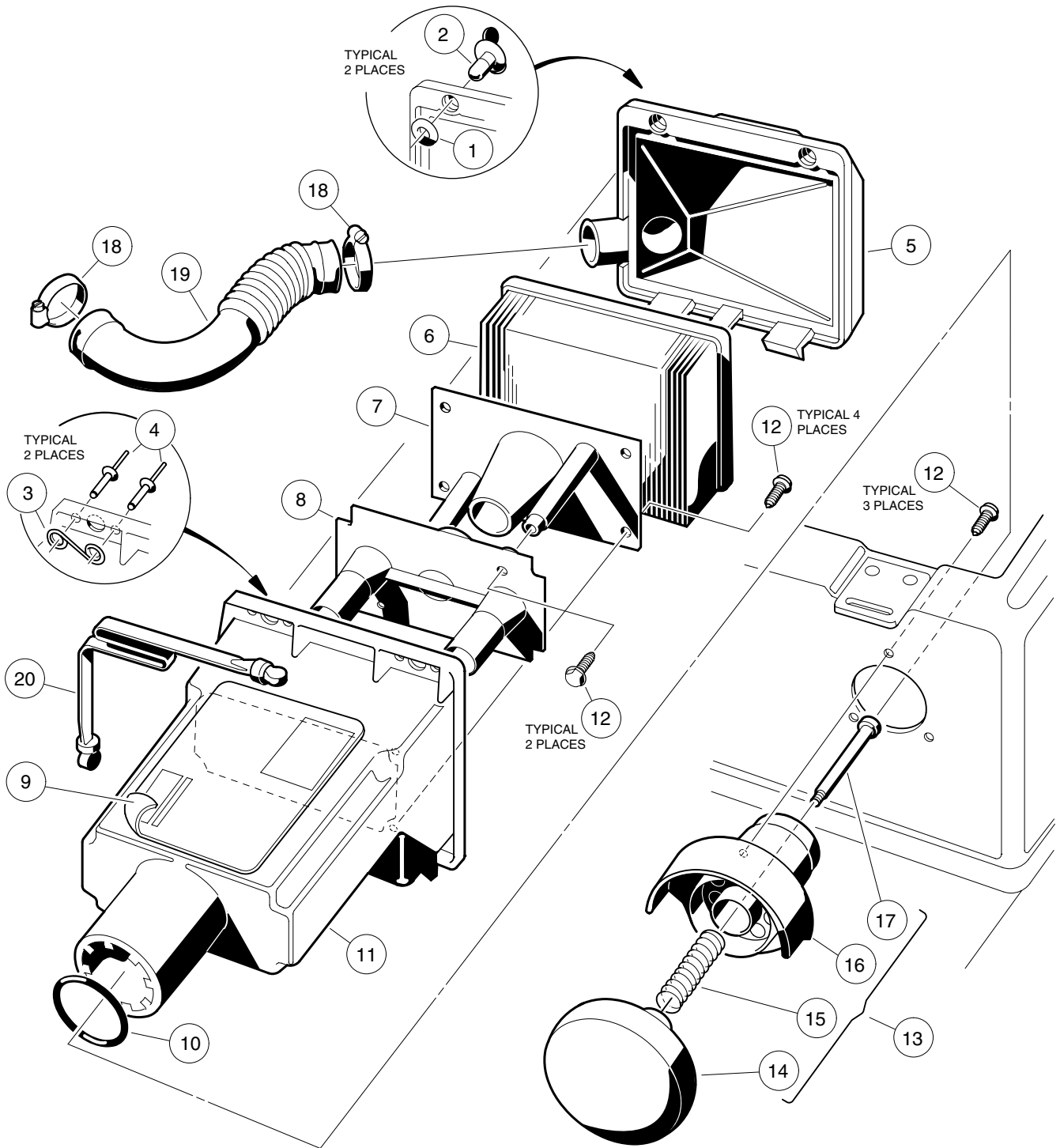


GOVERNOR AND ACCELERATOR CABLES

7

G

ITEM	PART NO.	DESCRIPTION	QTY
		1 2 3 4	
1	1015225	CABLE, ACCELERATOR	1
2	1015226-01	CABLE, GOVERNOR (CARRYALL I AND II)	1
2	1015226-02	CABLE, GOVERNOR (CARRYALL II PLUS AND VI)	1
3	1013700	CLAMP, CABLE RETAINING	2
4	1016546	NUT, FLANGED HEX, M8 x 1.25	2
5	1015410	BRACKET, ACCELERATOR SUPPORT	1
6	1012285	SCREW, THREAD ROLLING, 1/4 - 20 x 5/8	4
7	1016202	"E" RING	3
8	1015408	PIN, GOVERNOR CABLE CLEVIS	2
9	1014413	PIN, HAIR SPRING COTTER, 1/8 I.D. x 5/8	2
10	1015411	BRACKET, SUPPORT	1
11	1016456	BOLT, FLANGED, M6 x 1 x 12MM	1
12	1016057	CLAMP, THROTTLE CABLE	1
13	1015845	BRACKET, GOVERNOR CABLE ENGINE	1

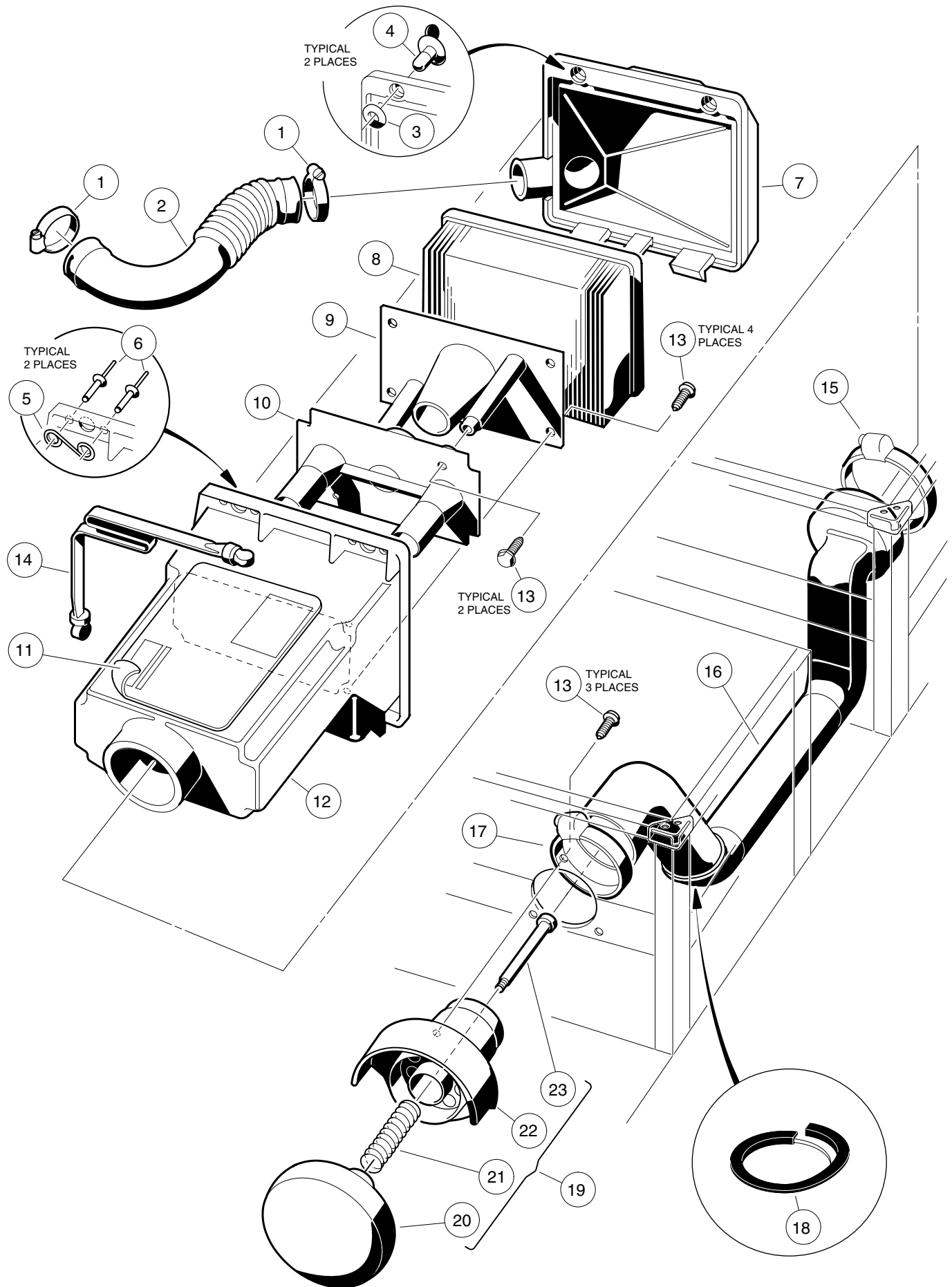


EXPANSION CHAMBER, CHOKE, AND FILTER CARRYALL I, II AND II PLUS

7

G

ITEM	PART NO.	DESCRIPTION	QTY
		1 2 3 4	
	1015431	ASSEMBLY, INTAKE EXPANSION CHAMBER (INCLUDES ITEMS 1 - 12)	1
1	1015291	RETAINER, STUD, #6	2
2	1015290	STUD, WING HEAD, #6	2
3	1015292	SPRING, RECEPTACLE, #6	2
4	1015727	RIVET, POP, 1/8	4
5	1015293	COVER, EXPANSION CHAMBER	1
6	1015426	ELEMENT, AIR FILTER	1
7	1015542	BAFFLE, SECONDARY AIR BOX	1
8	1015541	BAFFLE, PRIMARY AIR BOX	1
9	1016062	DECAL, SERVICE	1
10	1015425	O-RING	1
11	1015540	CHAMBER, EXPANSION	1
12	1015289	SCREW, HI-LO HEX, #10 - 16 x 5/8	9
13	1015745	ASSEMBLY, CHOKE (INCLUDES ITEMS 14 - 17)	1
14	1012629	COVER, CHOKE	1
15	1012633	SPRING, CHOKE	1
16	1015485	BASE, CHOKE	1
17	1012634	SCREW, HEX SOCKET HEAD SHOULDER, 1/4 - 20 x 2	1
18	1015430	CLAMP, HOSE (AIR INTAKE)	2
19	1016228	HOSE, INTAKE (CARRYALL I ONLY)	1
19	1016300	HOSE, INTAKE (CARRYALL II AND II PLUS)	1
20	1015577	STRAP, EXPANSION CHAMBER RETENSION	1



EXPANSION CHAMBER, CHOKE, AND FILTER CARRYALL VI

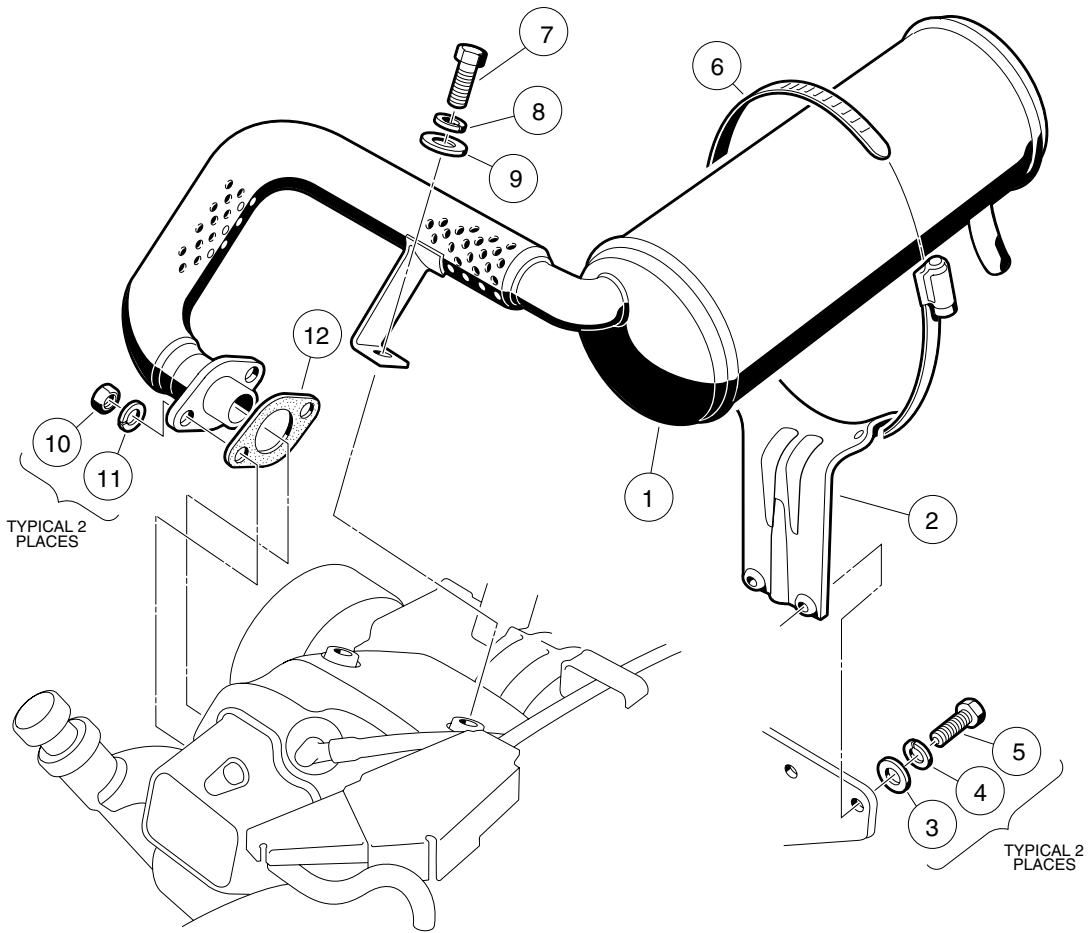
7
G

ITEM	PART NO.	DESCRIPTION	QTY
		1 2 3 4	
1	1015430	CLAMP, HOSE (AIR INTAKE)	2
2	1016228	HOSE, INTAKE	1
	1016787	ASSEMBLY, INTAKE EXPANSION CHAMBER (INCLUDES ITEMS 3 - 13)	1
3	1015291	RETAINER, STUD, #6	2
4	1015290	STUD, WING HEAD, #6	2
5	1015292	SPRING, RECEPTACLE, #6	2
6	1015727	RIVET, POP, 1/8	4
7	1015293	COVER, EXPANSION CHAMBER	1
8	1015426	ELEMENT, AIR FILTER	1
9	1015542	BAFFLE, SECONDARY AIR BOX	1
10	1015541	BAFFLE, PRIMARY AIR BOX	1
11	1016062	DECAL, SERVICE	1
12	1016788	CHAMBER, EXPANSION	1
13	1015289	SCREW, HI-LO HEX HEAD, #10 - 16 x 5/8	9
14	1015577	STRAP, EXPANSION CHAMBER RETENSION	1
15	1015716	CLAMP, HOSE (AIR INTAKE)	1
16	1016786	PLENUM, AIR INTAKE	1
17	1012349	CLAMP, HOSE	1
18	1016804	GROMMET, FLEXIBLE	A/R
19	1015745	ASSEMBLY, CHOKE (INCLUDES ITEMS 20 - 23)	1
20	1012629	COVER, CHOKE	1
21	1012633	SPRING, CHOKE	1
22	1015485	BASE, CHOKE	1
23	1012634	SCREW, HEX SOCKET HEAD SHOULDER, 1/4 - 20 x 2	1

EXHAUST SYSTEMS

8

G

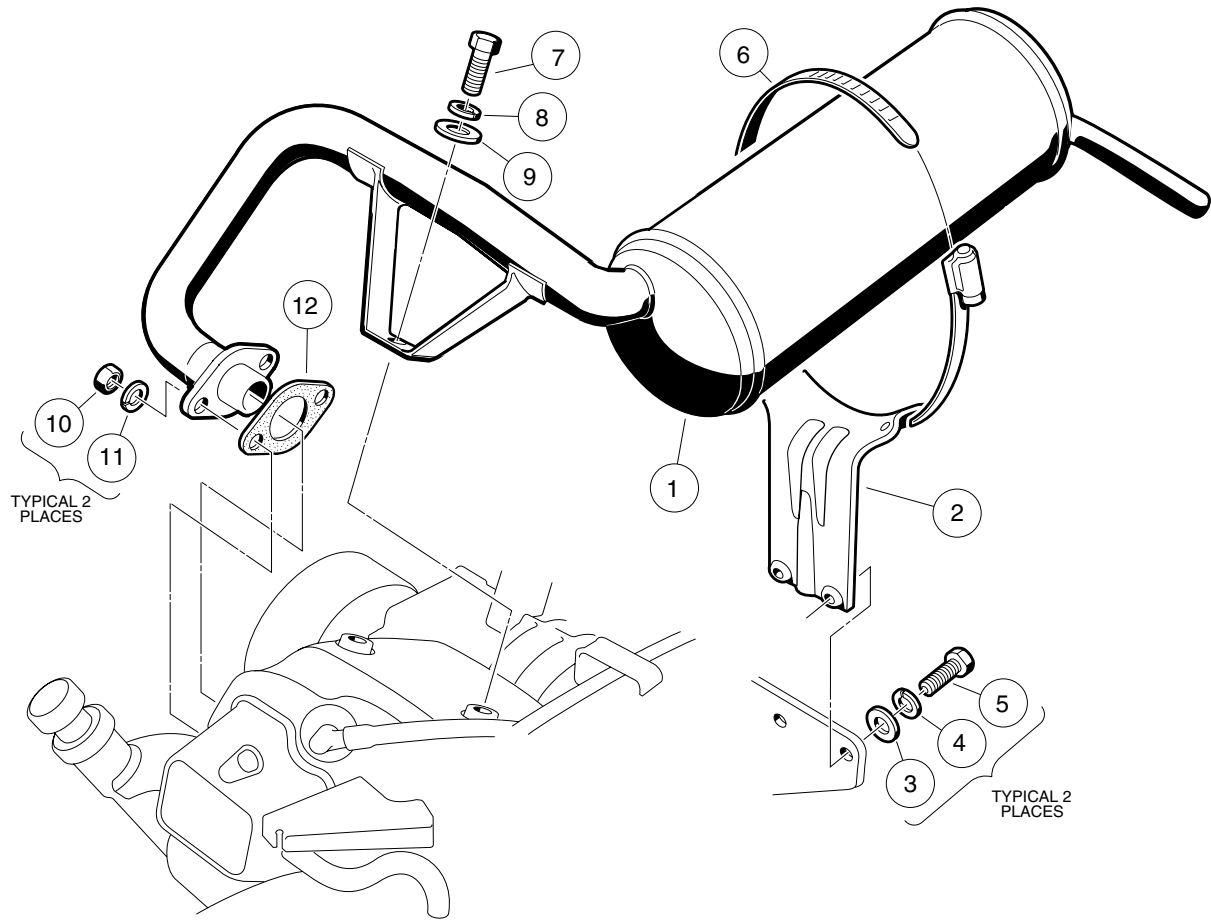


EXHAUST SYSTEM, FE 290 CARRYALL I AND II

8

G

ITEM	PART NO.	DESCRIPTION	QTY
		1 2 3 4	
1	1018593-01	SYSTEM, EXHAUST	1
2	1015814	BRACKET, MUFFLER MOUNTING	1
3	0000332	WASHER, FLAT, 1/4	2
4	0000451	WASHER, LOCK, 1/4	2
5	0007847	SCREW, HEX HEAD, 1/4 - 20 x 3/4	2
6	1017689	CLAMP, MUFFLER	1
7	1019035-01	SCREW, HEX HEAD CAP, M8 x 1.25 x 24MM	1
8	0007174	WASHER, LOCK, 5/16	1
9	1011697	WASHER, FLAT, 5/16	1
10	1012528	NUT, HEX, M8 x 1.25	2
11	1013734	WASHER, LOCK, 8MM	2
12	1015330	GASKET, EXHAUST	1



EXHAUST SYSTEM, FE 350 CARRYALL II PLUS AND VI

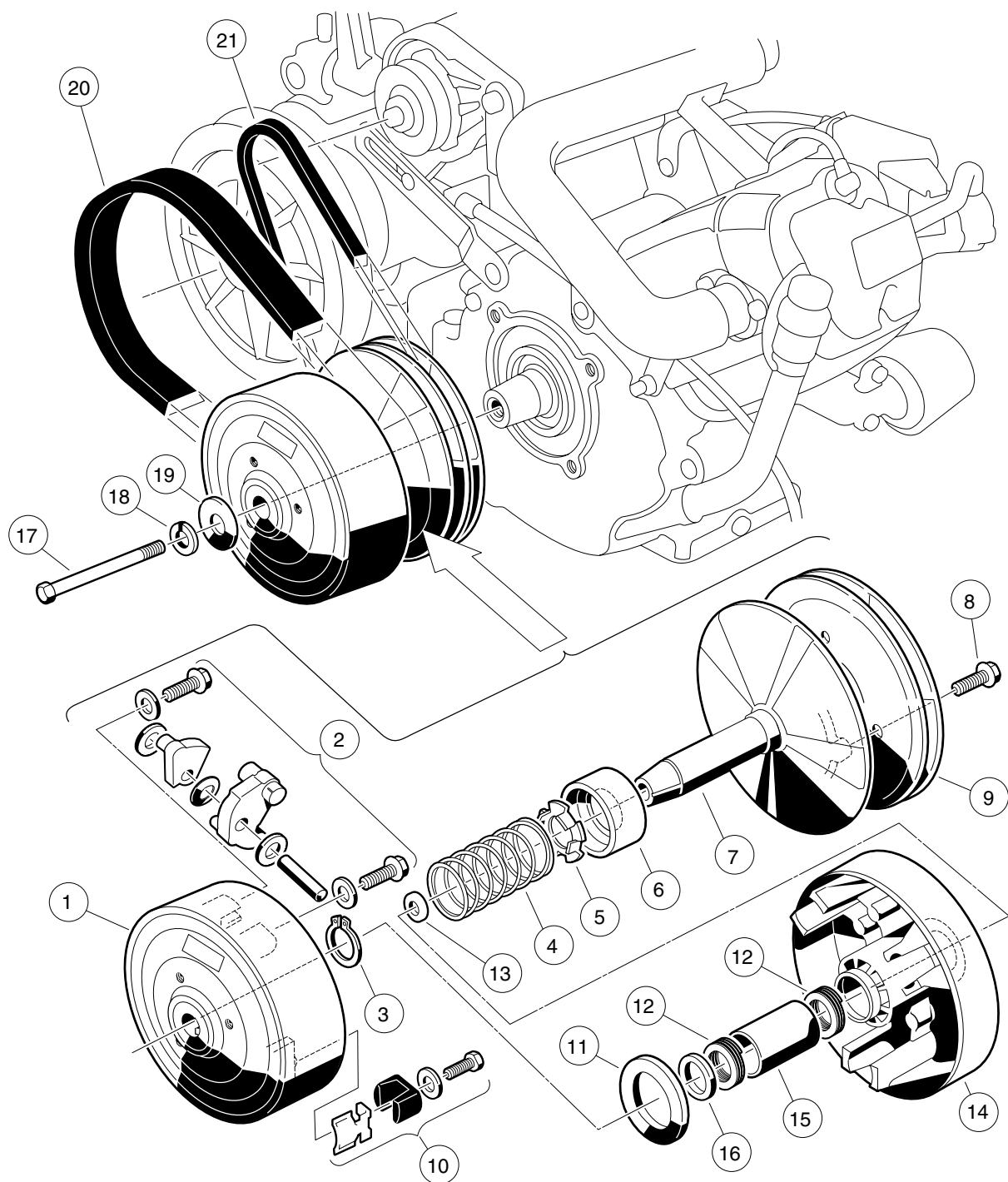
8
G

ITEM	PART NO.	DESCRIPTION	QTY
		1 2 3 4	
1	1018594-01	SYSTEM, EXHAUST	1
2	1015814	BRACKET, MUFFLER MOUNTING	1
3	0000332	WASHER, FLAT, 1/4	2
4	0000451	WASHER, LOCK, 1/4	2
5	0007847	SCREW, HEX HEAD, 1/4 - 20 x 3/4	2
6	1017689	CLAMP, MUFFLER	1
7	1019035-01	SCREW, HEX HEAD CAP, M8 x 1.25 x 24MM	1
8	0007174	WASHER, LOCK, 5/16	1
9	1011697	WASHER, FLAT, 5/16	1
10	1012528	NUT, HEX, M8 x 1.25	2
11	1013734	WASHER, LOCK, 8MM	2
12	1016904	GASKET, EXHAUST	1

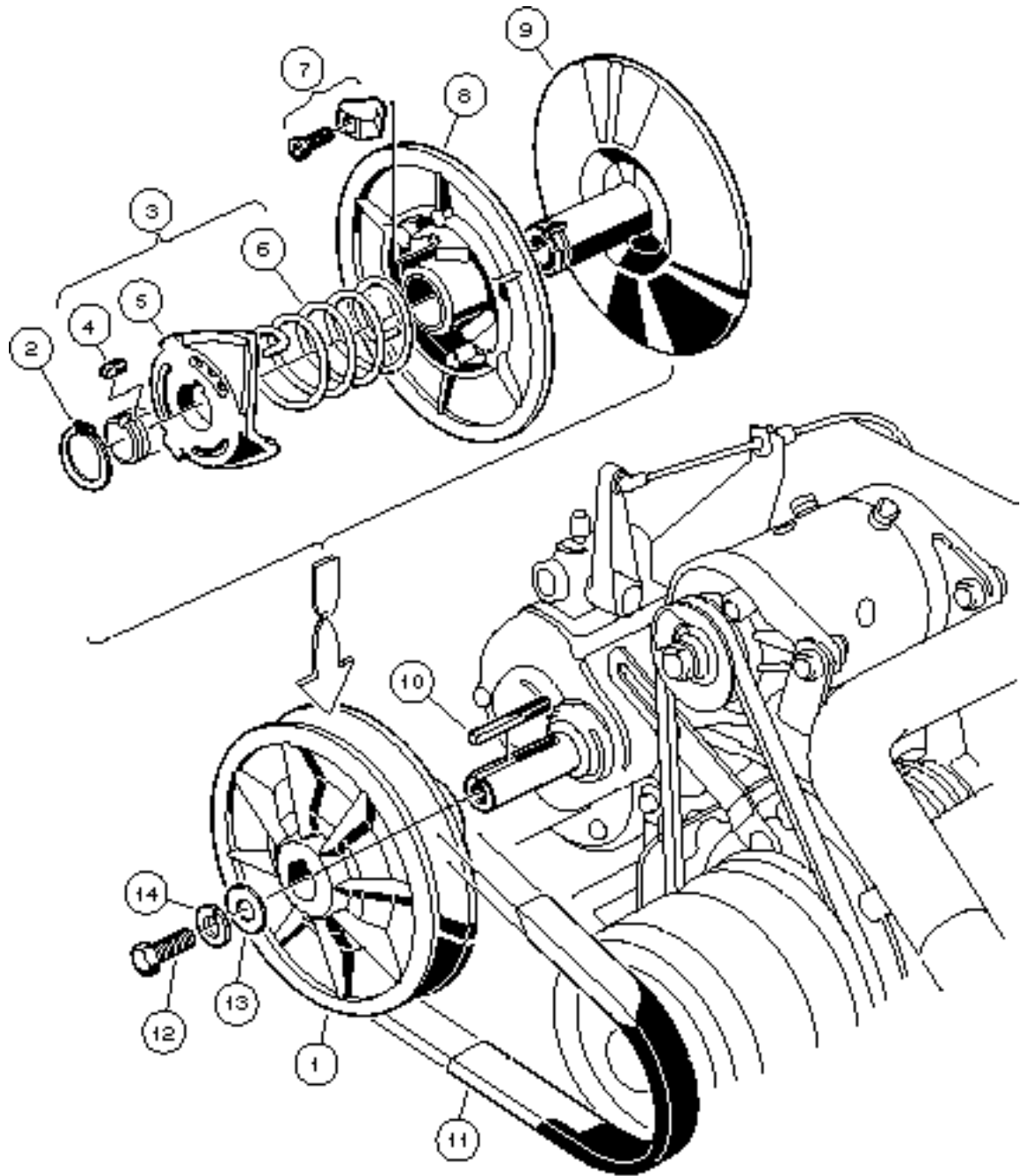
TORQUE CONVERTER

9

G



ITEM	PART NO.	DESCRIPTION	QTY
		1 2 3 4	
	1016378-02	ASSEMBLY, DRIVE CLUTCH (CARRYALL I AND II) (INCLUDES ITEMS 1 - 16)	1
	1016378-04	ASSEMBLY, DRIVE CLUTCH (CARRYALL II PLUS AND VI) (INCLUDES ITEMS 1 - 16) ..	1
1	1014059	ASSEMBLY, DRIVE HUB	1
2	1016801	KIT, DRIVE CLUTCH WEIGHT	1
3	1014057	RING, RETAINING	1
4	1014051	SPRING, DRIVE CLUTCH (CARRYALL I AND II)	1
4	1016901	SPRING, DRIVE CLUTCH (CARRYALL II PLUS AND VI)	1
5	1014050	SPRING, RETAINER	1
6	1014049	BEARING, IDLER	1
7	1017383-01	ASSEMBLY, FIXED FACE (INCLUDES ITEMS 8 AND 9)	1
8	N/A	SCREW, WASHER HEAD HEX MACHINE	3
9	N/A	PULLEY	1
10	1014453	KIT, DRIVE CLUTCH BUTTON	1
11	1014058	WASHER, THRUST	1
12	1014056	RING, SPIRAL BACK-UP	2
13	1016289	SPACER, FIXED FACE SHAFT	1
14	1014052	ASSEMBLY, MOVABLE FACE (INCLUDES ITEMS 15 AND 16)	1
15	N/A	BUSHING	1
16	1014055	RETAINER	1
17	1012441	SCREW, HEX HEAD CAP, 3/8 - 24 x 5 1/2	1
18	0000357	WASHER, LOCK, 3/8	1
19	0000808	WASHER, FLAT, 3/8	1
20	1016203	BELT, DRIVE (CARRYALL I)	1
20	1017188	BELT, DRIVE (CARRYALL II, II PLUS AND VI)	1
21	1014290	BELT, STARTER/GENERATOR	1



DRIVEN CLUTCH

9

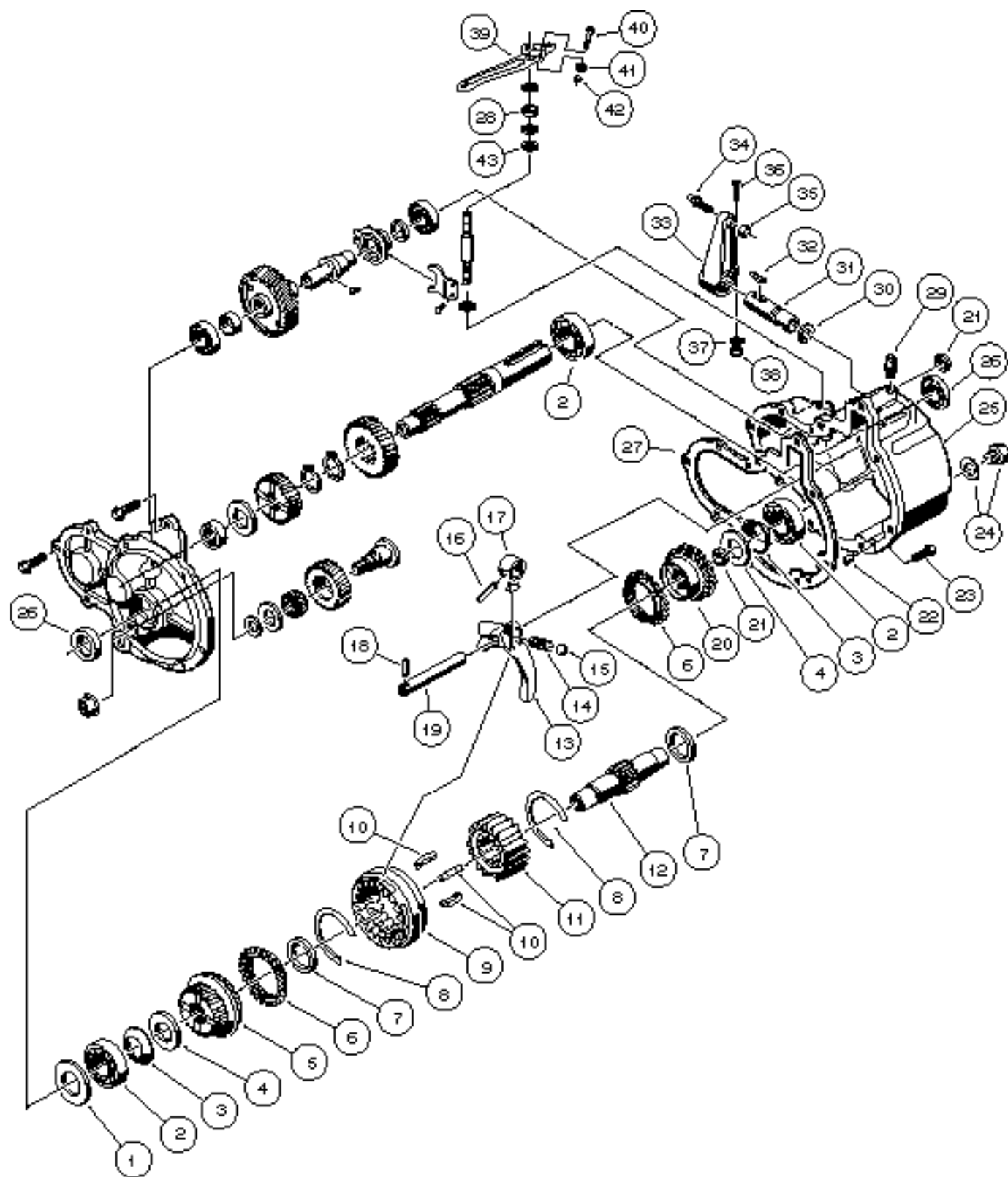
G

ITEM	PART NO.	DESCRIPTION	QTY
		1 2 3 4	
1	1016360-01	ASSEMBLY, DRIVEN CLUTCH (INCLUDES ITEMS 2 - 9) (CARRYALL I, II AND VI)	1
1	1016360-03	ASSEMBLY, DRIVEN CLUTCH (INCLUDES ITEMS 2 - 9) (CARRYALL II PLUS ONLY) ...	1
2	1014080	RING, RETAINING	1
3	1017755	KIT, CAM (INCLUDES ITEMS 4, 5 AND 6) (CARRYALL I, II AND VI)	1
3	1018564-01	KIT, CAM (INCLUDES ITEMS 4, 5 AND 6) (CARRYALL II PLUS ONLY)	1
4	1014078	KEY	1
5	N/A	CAM	1
6	N/A	SPRING	1
7	1014454	KIT, BUTTON	1
8	1014072	ASSEMBLY, MOVEABLE FACE, WITH BUSHING	1
9	1014070	ASSEMBLY, FIXED FACE	1
10	1012455	KEY, SQUARE TRANSMISSION	1
11	1016203	BELT, DRIVE (CARRYALL I ONLY)	1
11	1017188	BELT, DRIVE (CARRYALL II, II PLUS AND VI)	1
12	0007173	SCREW, HEX HEAD CAP, 5/16 - 18 x 3/4	1
13	1017327	WASHER, MOUNTING	1
14	0007174	WASHER, LOCK, 5/16	1

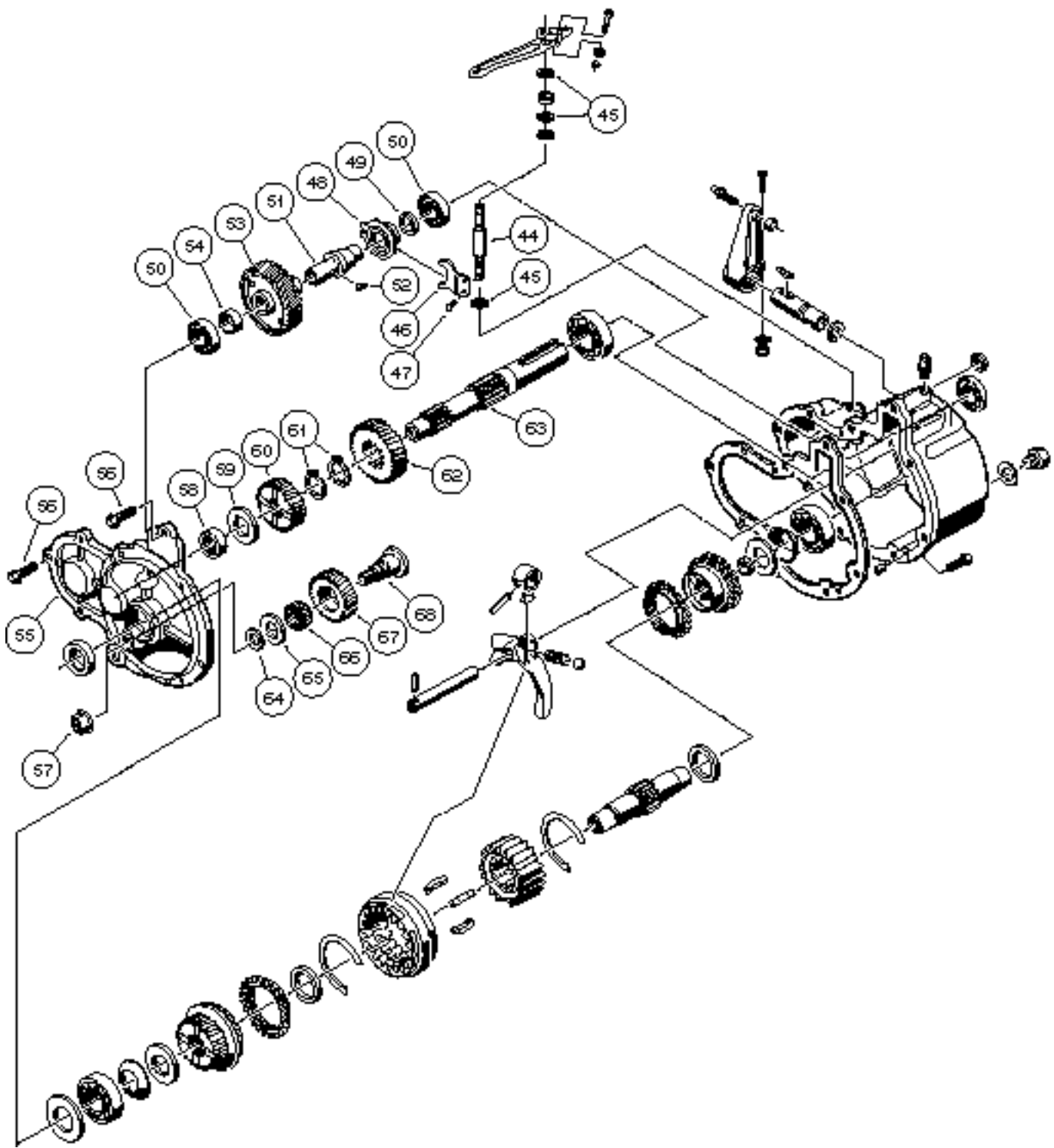
TRANSMISSION

10

G



ITEM	PART NO.	DESCRIPTION	QTY
		1 2 3 4	
	1015747	TRANSMISSION	1
1	1012783	SHIM, 0.2MM	A/R
1	1012784	SHIM, 0.1MM	A/R
2	0007336	BEARING, BALL	3
3	1016338	WASHER, SPRING	2
4	1016337	WASHER, THRUST	2
5	1012737	ASSEMBLY, GEAR, 34 TOOTH	1
6	1012742	RING, SYNCHRONIZER	2
7	1012743	WASHER, THRUST	2
8	1012741	SPRING, SYNCHRONIZER	2
9	1012739	SLEEVE, CLUTCH	1
10	1012740	INSERT, SYNCHRONIZER	3
11	1012738	HUB, CLUTCH	1
12	1012734	SHAFT, OUTPUT	1
13	1012746	ARM, SLEEVE SHIFT	1
14	1012748	SPRING, SHIFTER	1
15	1012747	BALL, SHIFTER	1
16	1012752	PIN, ROLL	1
17	1012750	LEVER, SHIFTER ARM, INSIDE	1
18	1012749	PIN, ROLL	1
19	1012745	ROD, SHIFT	1
20	1016591	ASSEMBLY, GEAR, 28 TOOTH	1
21	1012735	PLUG	2
22	1012710	PIN, DOWEL	2
23	1012719	SCREW, HEX HEAD CAP, M6 x 1 x 14MM	1
24	1013759	PLUG, FILL, WITH GASKET	1
25	1013960	CASE, GEAR, WITHOUT LOCKOUT OPENING	1
26	1012714	SEAL, OIL	2
27	1012717	GASKET, CASE	1
28	1012767	SEAL, OIL	1
29	1012711	BREATHER	1
30	1012754	O-RING	1
31	1012751	SHAFT, SHIFTER	1
32	1017231	KEY, WOODRUFF	1
33	1016341	LEVER, TRANSMISSION SHIFTER	1
34	1010954	STUD, BALL, 1/4 - 28 x 9/16	1
35	0008717	NUT, NYLON LOCK, 1/4 - 28	1
36	1017082	SCREW, HEX WASHER HEAD, #10 - 32 x 3/4	1
37	0000183	WASHER, FLAT, #10	1
38	1013061	NUT, NYLON LOCK, #10 - 32	1
39	1015710	ARM, GOVERNOR LEVER	1
40	1016686	BOLT, HEX, M6 x 1 x 28MM	1
41	1016513	WASHER, FLAT, M6	1
42	1012919	NUT, M6 x 1	1
43	1012765	WASHER, FLAT, M8	1

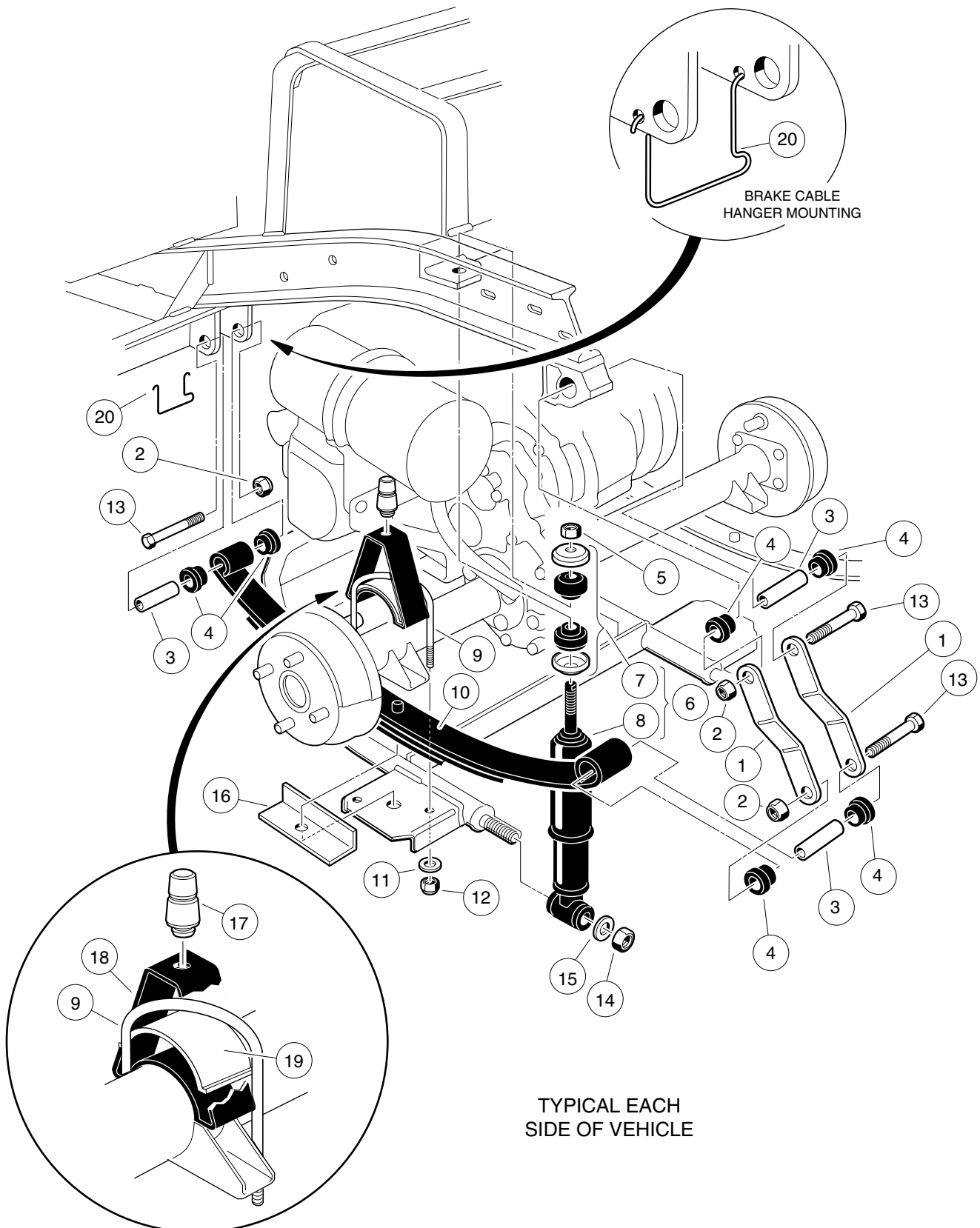


ITEM	PART NO.	DESCRIPTION	QTY
		1 2 3 4	
44	1012762	SHAFT, GOVERNOR ARM	1
45	1012766	RING, SNAP	3
46	1012763	ARM, GOVERNOR, INTERNAL	1
47	1012764	SCREW, M4 x .7 x 6MM	2
48	1012757	SLEEVE, GOVERNOR	1
49	1012758	SPACER, THIN	1
50	1012761	BEARING, BALL	2
51	1016598	SHAFT, GOVERNOR	1
52	1012760	KEY, GOVERNOR SHAFT	1
53	1012755	GEAR, GOVERNOR, 41 TOOTH	1
54	1012759	SPACER, THICK	1
55	1016592	COVER	1
56	1012718	SCREW, HEX HEAD CAP, M6 x 1 x 20MM	4
57	1012733	NUT, FLANGE, M8 x 1.75	1
58	1012716	BEARING, NEEDLE	1
59	1012723	WASHER, THRUST, 3.0MM	A/R
59	1012724	WASHER, THRUST, 3.3MM (WHITE)	A/R
59	1012725	WASHER, THRUST, 3.6MM (YELLOW)	A/R
60	1012722	GEAR, 25 TOOTH	1
61	1012727	RING, SNAP	2
62	1016594	GEAR, 29 TOOTH	1
63	1012720	SHAFT, INPUT	1
64	1012732	O-RING	1
65	1012730	WASHER, THRUST	1
66	1012731	BEARING, NEEDLE	1
67	1012729	GEAR, REVERSE IDLER	1
68	1012728	SHAFT, IDLER	1

REAR SUSPENSION GASOLINE VEHICLE

11

G

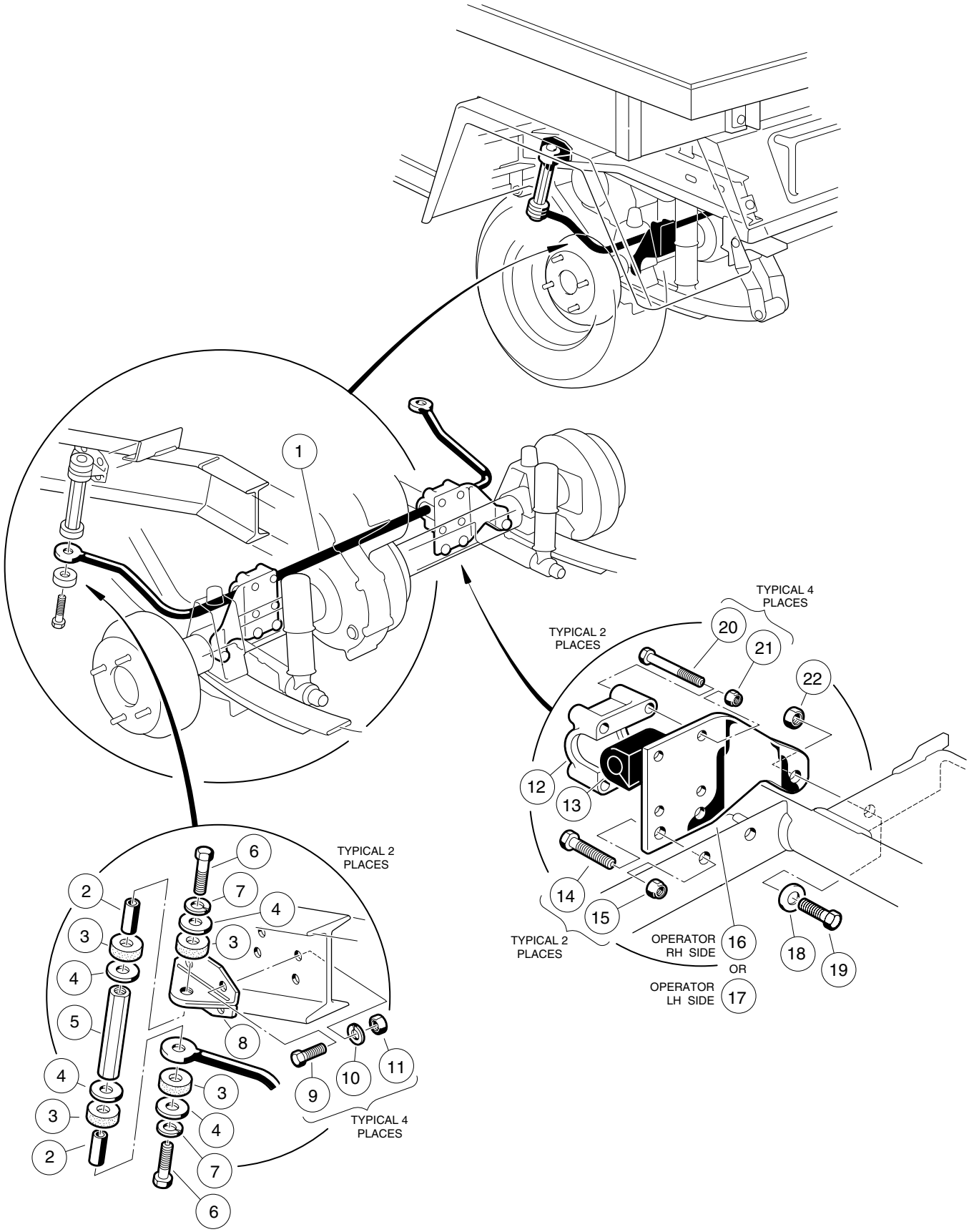


REAR SUSPENSION - GASOLINE VEHICLE

11

G

ITEM	PART NO.	DESCRIPTION	QTY
		1 2 3 4	
1	1012304	SHACKLE, REAR SPRING	4
2	0008754	NUT, NYLON LOCK, 3/8 - 16	6
3	1012303	BUSHING, STEEL	4
4	1015583	BUSHING, URETHANE	12
5	1010145	NUT, UNF HEX, 3/8 - 24	2
6	1012781	KIT, SHOCK ABSORBER (INCLUDES ITEMS 7 AND 8)	2
7	1011415	KIT, SHOCK ABSORBER CUSHION	2
8	1014234	SHOCK ABSORBER, REAR	2
9	1014902	"U" BOLT	2
10	1014675	SPRING, REAR LEAF	2
11	1014557	WASHER, FLAT, 7/16	4
12	1014555	NUT, NYLON LOCK, 7/16 - 24	4
13	0008755	SCREW, HEX HEAD CAP, 3/8 - 16 x 3 3/8	6
14	1010188	NUT, DIMPLED LOCK, 5/8 - 11	2
15	1010193	WASHER, FLAT, 5/8	2
16	1014573	RETAINER, LEAF SPRING	2
17	1017235	BUMPER, SUSPENSION OVERLOAD	2
18	1014546-02	MOUNT, SUSPENSION OVERLOAD BUMPER	2
19	1014901	SPACER, SUSPENSION OVERLOAD BUMPER	2
20	1013207	HANGER, BRAKE CABLE	2

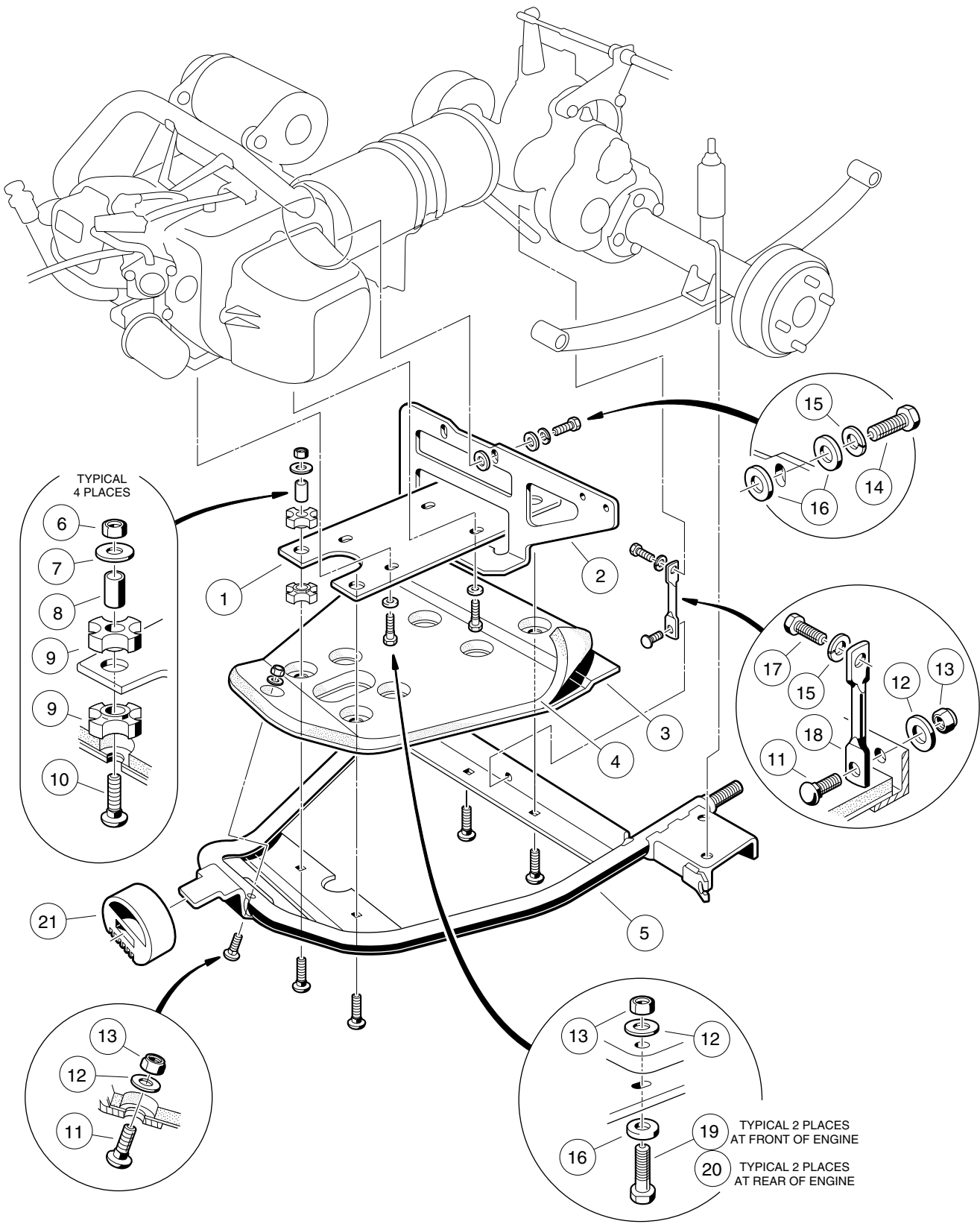


STABILIZER BAR CARRYALL II, II PLUS, AND VI

11

G

ITEM	PART NO.	DESCRIPTION	QTY
		1 2 3 4	
1	1015760	BAR, STABILIZER, 3/4 DIAMETER	1
2	1015457	SPACER	4
3	1015453	MOUNT, COMPRESSION	8
4	0000808	WASHER, FLAT, 3/8	8
5	1016814	LINK, STABILIZER BAR	2
6	0008861	SCREW, HEX HEAD CAP, 3/8 - 16 x 1 3/4	4
7	0000357	WASHER, LOCK, 3/8	4
8	1016813	BRACKET, STABILIZER BAR MOUNTING	2
9	0007173	SCREW, HEX HEAD CAP, 5/16 - 18 x 3/4	8
10	0007174	WASHER, LOCK, 3/8	8
11	0001242	NUT, HEX, 5/16 - 18	8
12	1015614	SUPPORT, STABILIZER BAR BUSHING	2
13	1015613	BUSHING, STABILIZER BAR	2
14	0000705	SCREW, HEX HEAD CAP, 3/8 - 16 x 1 1/4	4
15	0008754	NUT, NYLON LOCK, 3/8 - 16	4
16	1017144	PLATE, TRUSS, RIGHT SIDE	1
17	1017143	PLATE, TRUSS, LEFT SIDE	1
18	1017233	WASHER, HARDENED, 5/16	2
19	1017232	SCREW, HEX HEAD CAP, 5/16 - 24 x 1	2
20	0007311	SCREW, HEX HEAD CAP, 1/4 - 20 x 2	8
21	0008233	NUT, NYLON LOCK, 1/4 - 20	8
22	1017237	NUT, SERRATED FLANGE LOCK	2



INNER FRAME - GASOLINE VEHICLE

11

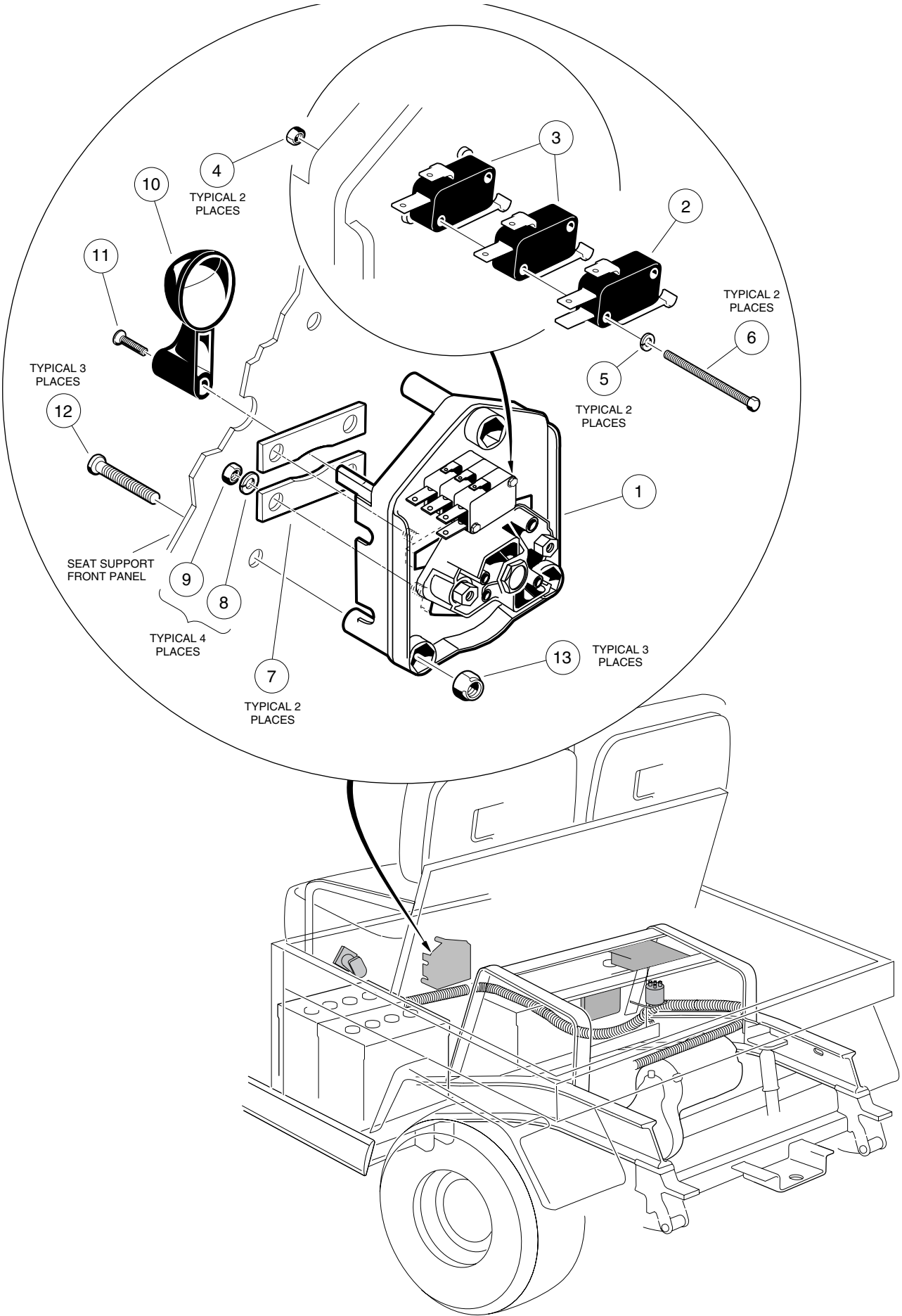
G

ITEM	PART NO.	DESCRIPTION	QTY
		1 2 3 4	
1	1016869	PLATE, INNER FRAME MOUNTING	1
2	1016206	PLATE, MUFFLER MOUNTING	1
3	1016196	PAN, BELLY	1
4	1016197	INSULATION, BELLY PAN SOUND	1
5	1016870	ASSEMBLY, INNER FRAME WELD	1
6	0008754	NUT, NYLON LOCK, 3/8 - 16	4
7	0000808	WASHER, FLAT, 3/8	4
8	1017033	BUSHING, STEEL	4
9	1016810	MOUNT, ENGINE	8
10	1012428	BOLT, CARRIAGE, 3/8 - 16 x 2 1/4	4
11	1015932	BOLT, CARRIAGE, 5/16 - 18 x 1	1
12	0001241	WASHER, FLAT, 5/16	6
13	0007473	NUT, NYLON LOCK, 5/16 - 18	6
14	1015709	SCREW, HEX HEAD CAP, M8 x 1.25 x 30MM	2
15	0007174	WASHER, LOCK, 5/16	3
16	1012571	WASHER, HEAVY FLAT, 5/16	8
17	1010577	SCREW, HEX HEAD CAP, 5/16 - 18 x 1 1/2	1
18	1016200-02	SUPPORT, TRANSMISSION STRAP	1
19	0008963	SCREW, HEX HEAD CAP, 5/16 - 18 x 1 3/4	2
20	0008916	SCREW, HEX HEAD CAP, 5/16 - 18 x 2	2
21	1012164	SNUBBER, INNER FRAME	1

ELECTRICAL SYSTEM ELECTRIC VEHICLE

12

E



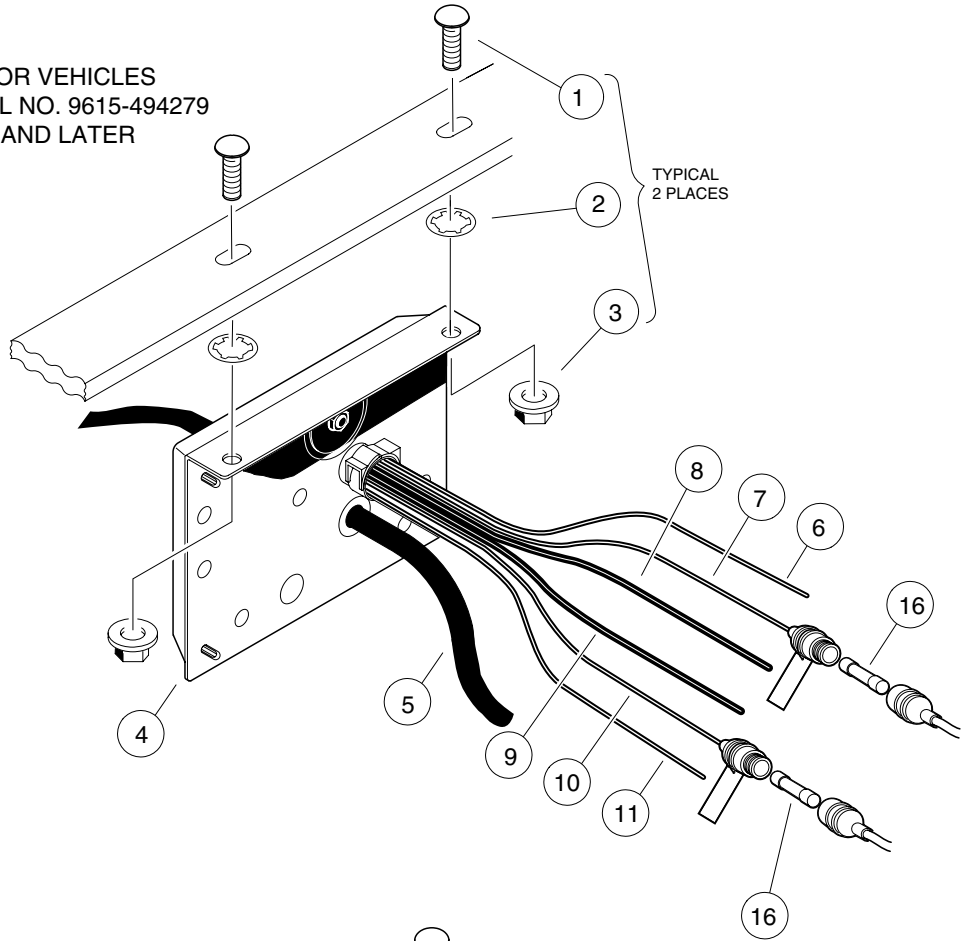
FORWARD AND REVERSE SWITCH POWERDRIVE® VEHICLE

12

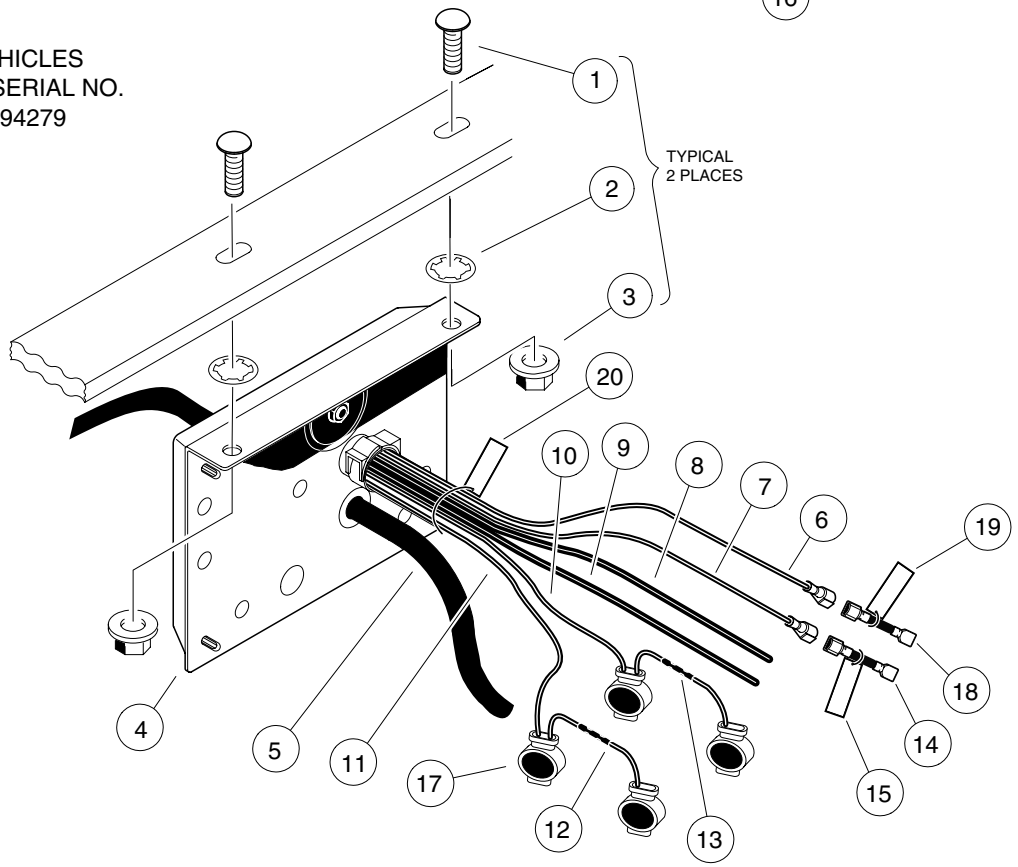
E

ITEM	PART NO.	DESCRIPTION	QTY
		1 2 3 4	
1	1017530-05	ASSEMBLY, FOWARD AND REVERSE SWITCH (INCLUDES ITEMS 2 - 6)	1
2	1014807	SWITCH, LIMIT	1
3	1014808	SWITCH, LIMIT	2
4	0008057	NUT, HEX, #4 - 40	2
5	0008058	WASHER, LOCK, #4	2
6	1014871	SCREW, HEX WASHER HEAD, #4 - 40 x 2	2
7	1012987	HANDLE, FORWARD AND REVERSE SWITCH	1
8	1013198	SCREW, PHILLIPS HEAD MACHINE, #8 - 32 x 5/8	1
9	1016845	SCREW, PHILLIPS TRUSS HEAD, 1/4 - 20 x 2 1/8	3
10	0008233	NUT, NYLON LOCK, 1/4 - 20	3
11	1017799	BAR, BUSS	2
12	0000451	WASHER, LOCK, 1/4	4
13	0001028	NUT, HEX, 1/4 - 20	4

FOR VEHICLES
SERIAL NO. 9615-494279
AND LATER



FOR VEHICLES
PRIOR TO SERIAL NO.
9615-494279



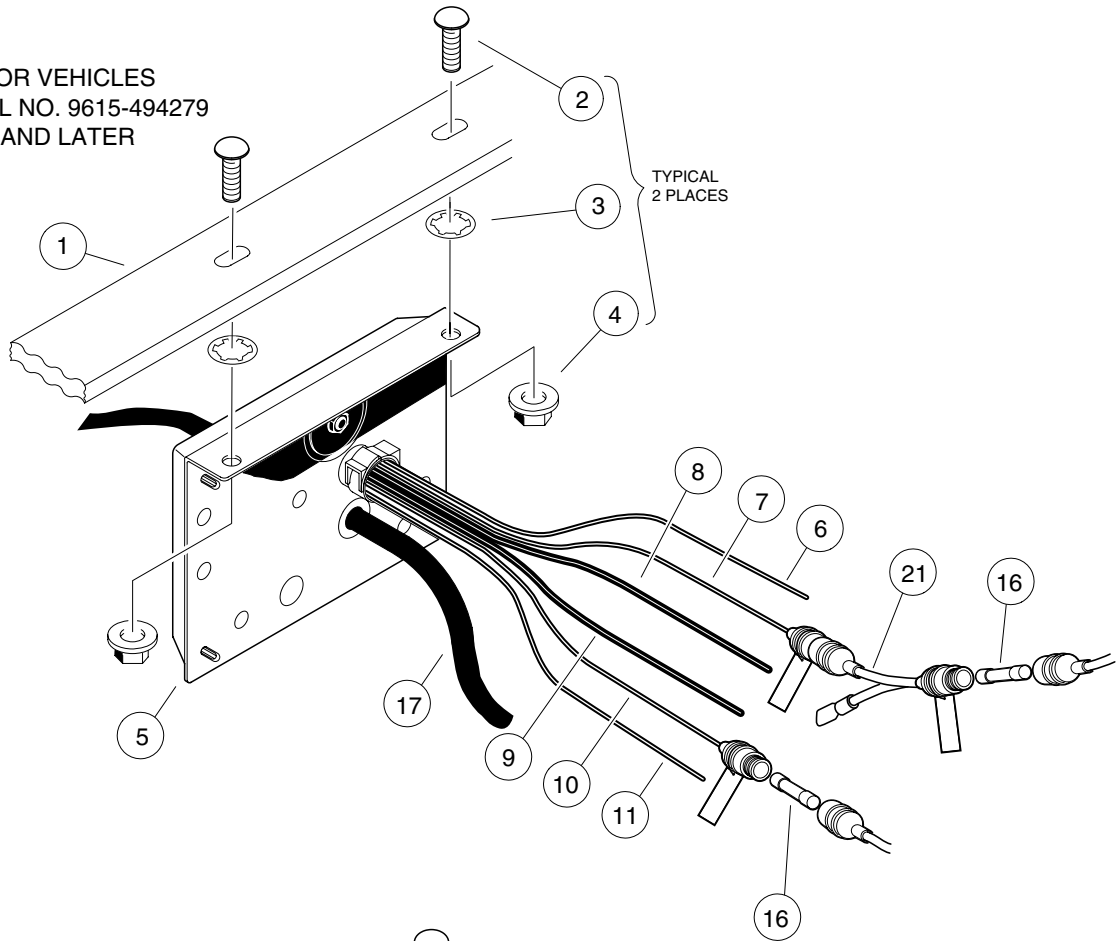
ON-BOARD COMPUTER CARRYALL I POWERDRIVE® VEHICLE

12

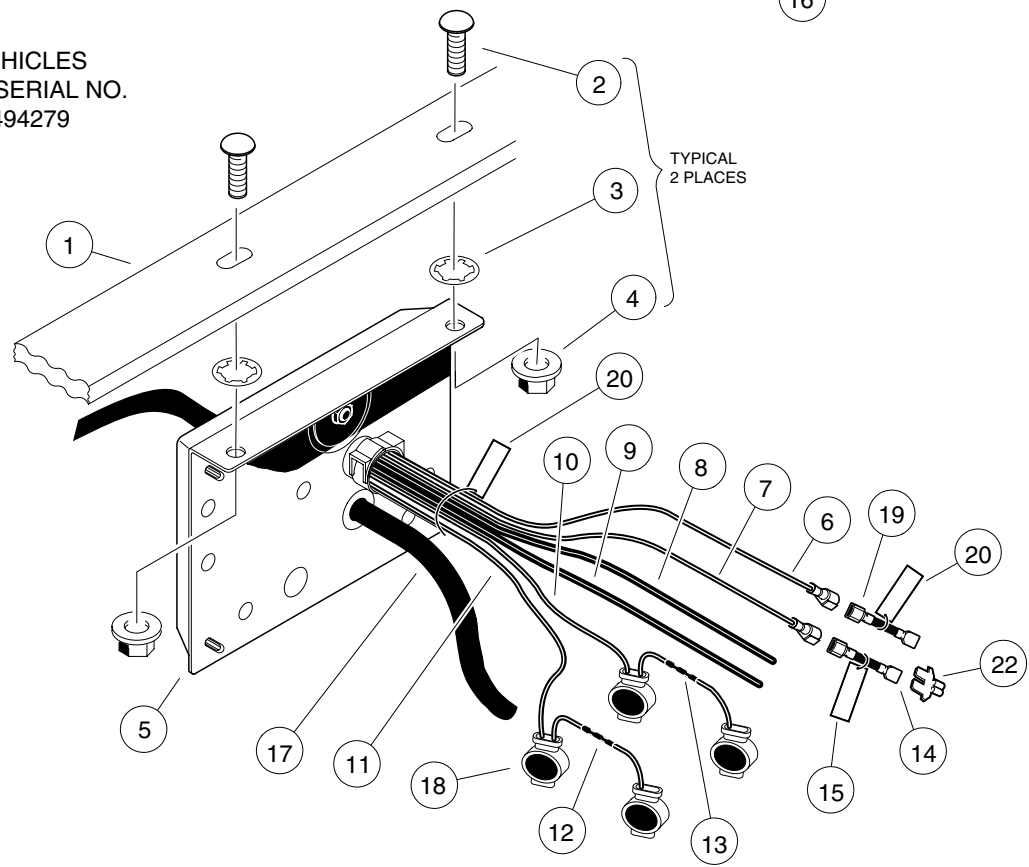
E

ITEM	PART NO.	DESCRIPTION	QTY
		1 2 3 4	
1	1017203	BOLT, CARRIAGE, 1/4 - 20 x 1	2
2	1016631	NUT, PUSH, 3/16	2
3	1018356-01	NUT, HEX FLANGED LOCK, 1/4 - 20	2
4	1018006-01	COMPUTER, ON-BOARD (INCLUDES ITEMS 5 - 16)	1
5	1018278-01	KIT, WIRE AND TERMINAL, #6 BLACK	1
6	N/A	WIRE ASSEMBLY, #18 BROWN	1
7	N/A	WIRE ASSEMBLY, #18 GRAY	1
8	N/A	WIRE ASSEMBLY, #10 BLACK	1
9	N/A	WIRE ASSEMBLY, #10 BLACK	1
10	N/A	WIRE ASSEMBLY, #18 RED	1
11	N/A	WIRE ASSEMBLY, #18 YELLOW	1
12	1018779-01	FUSE ASSEMBLY, YELLOW WIRE (FOR VEHICLES PRIOR TO SERIAL NUMBER 9615-494279)	1
13	1018778-01	FUSE ASSEMBLY, RED WIRE (FOR VEHICLES PRIOR TO SERIAL NUMBER 9615-494279)	1
14	1018633-01	FUSE ASSEMBLY, 1/4 AMP (AT GRAY WIRE) (FOR VEHICLES PRIOR TO SERIAL NUMBER 9615-494279) (INCLUDES ITEM 15)	1
15	N/A	LABEL, WARNING	1
16	1018949-01	FUSE ASSEMBLY, 3/8 AMP (FOR VEHICLES SERIAL NUMBER 9615-494279 AND LATER)	2
17	1018843-01	CONNECTOR, SILICON FILLED (FOR IN-LINE FUSE REPLACEMENT)	A/R
18	1018633-02	FUSE ASSEMBLY, 1/4 AMP (AT BROWN WIRE) (FOR VEHICLES PRIOR TO SERIAL NUMBER 9615-494279)	1
19	1018844-01	LABEL, RED WARNING	2

FOR VEHICLES
SERIAL NO. 9615-494279
AND LATER



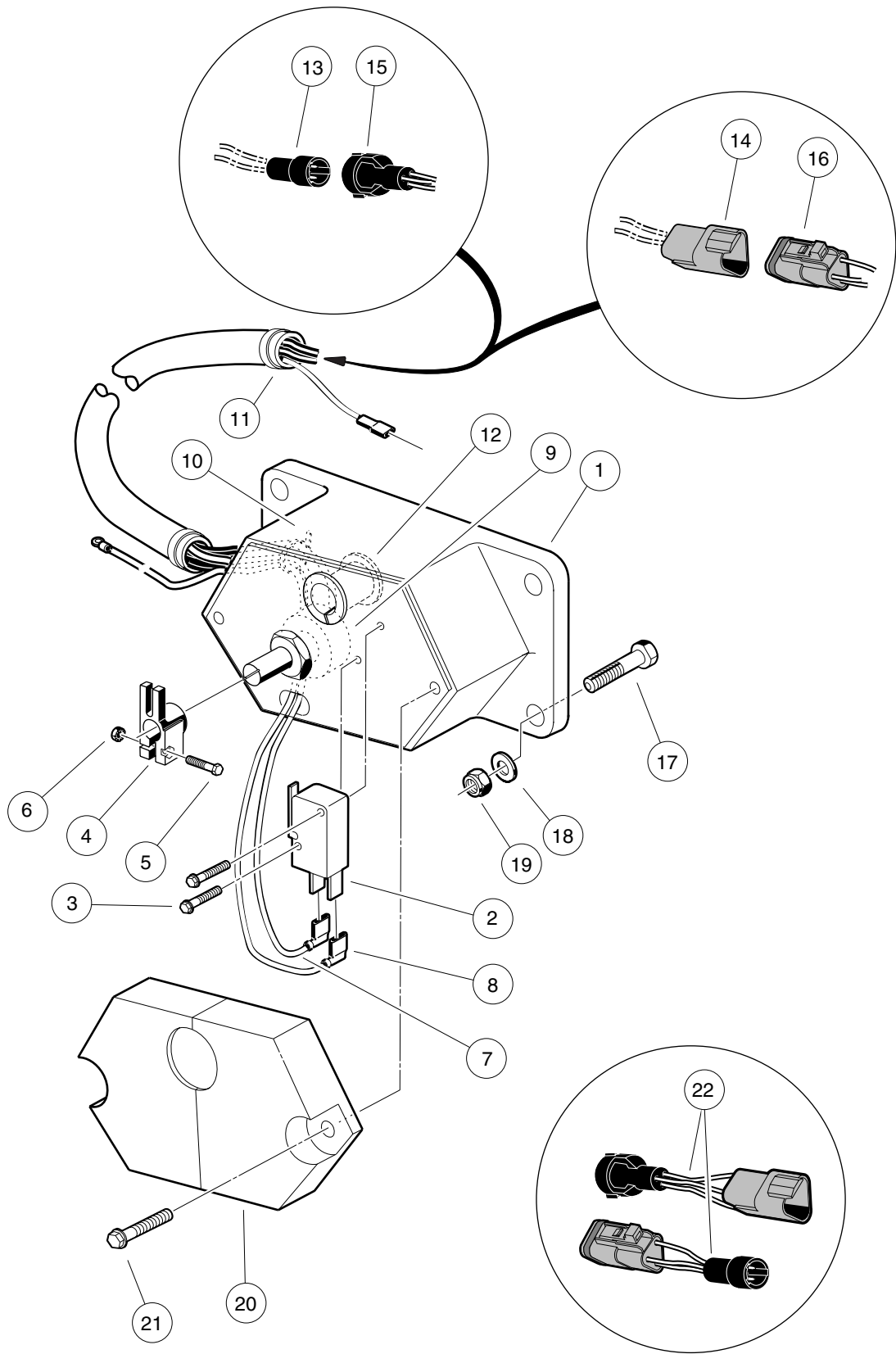
FOR VEHICLES
PRIOR TO SERIAL NO.
9615-494279



ON-BOARD COMPUTER CARRYALL VI POWERDRIVE® VEHICLE

12
E

ITEM	PART NO.	DESCRIPTION	QTY
		1 2 3 4	
1	1018206-01	BRACKET, COMPUTER MOUNTING	1
2	1017203	BOLT, CARRIAGE, 1/4 - 20 x 1	2
3	1016631	NUT, PUSH, 3/16	2
4	1018356-01	NUT, HEX FLANGED LOCK, 1/4 - 20	2
5	1018006-02	COMPUTER, ON-BOARD (INCLUDES ITEMS 6 - 17)	1
6	N/A	WIRE ASSEMBLY, #18 BROWN	1
7	N/A	WIRE ASSEMBLY, #18 GRAY	1
8	N/A	WIRE ASSEMBLY, #10 BLACK	1
9	N/A	WIRE ASSEMBLY, #10 BLACK	1
10	N/A	WIRE ASSEMBLY, #18 RED	1
11	N/A	WIRE ASSEMBLY, #18 YELLOW	1
12	1018779-01	FUSE ASSEMBLY, YELLOW WIRE (FOR VEHICLES PRIOR TO SERIAL NUMBER 9615-494279)	1
13	1018778-01	FUSE ASSEMBLY, RED WIRE (FOR VEHICLES PRIOR TO SERIAL NUMBER 9615-494279)	1
14	1018633-01	FUSE ASSEMBLY, 1/4 AMP (AT GRAY WIRE) (FOR VEHICLES PRIOR TO SERIAL NUMBER 9615-494279) (INCLUDES ITEM 15)	1
15	N/A	LABEL, WARNING	1
16	1018949-01	FUSE ASSEMBLY, 3/8 AMP (FOR VEHICLES SERIAL NUMBER 9615-494279 AND LATER)	3
17	1018278-02	KIT, WIRE AND TERMINAL, #6 BLACK	1
18	1018843-01	CONNECTOR, SILICON FILLED (FOR IN-LINE FUSE REPLACEMENT)	A/R
19	1018633-02	FUSE ASSEMBLY, 1/4 AMP (AT BROWN WIRE) (FOR VEHICLES PRIOR TO SERIAL NUMBER 9615-494279)	1
20	1018844-01	LABEL, RED WARNING	2
21	1018968-01	ASSEMBLY, 3-WAY PLUG (FOR VEHICLES SERIAL NUMBER 9615-494279 AND LATER)	1
22	1018085-01	ADAPTER, RECEPTACLE AND TABS FASTON (FOR VEHICLES PRIOR TO SERIAL NUMBER 9615-494279)	1

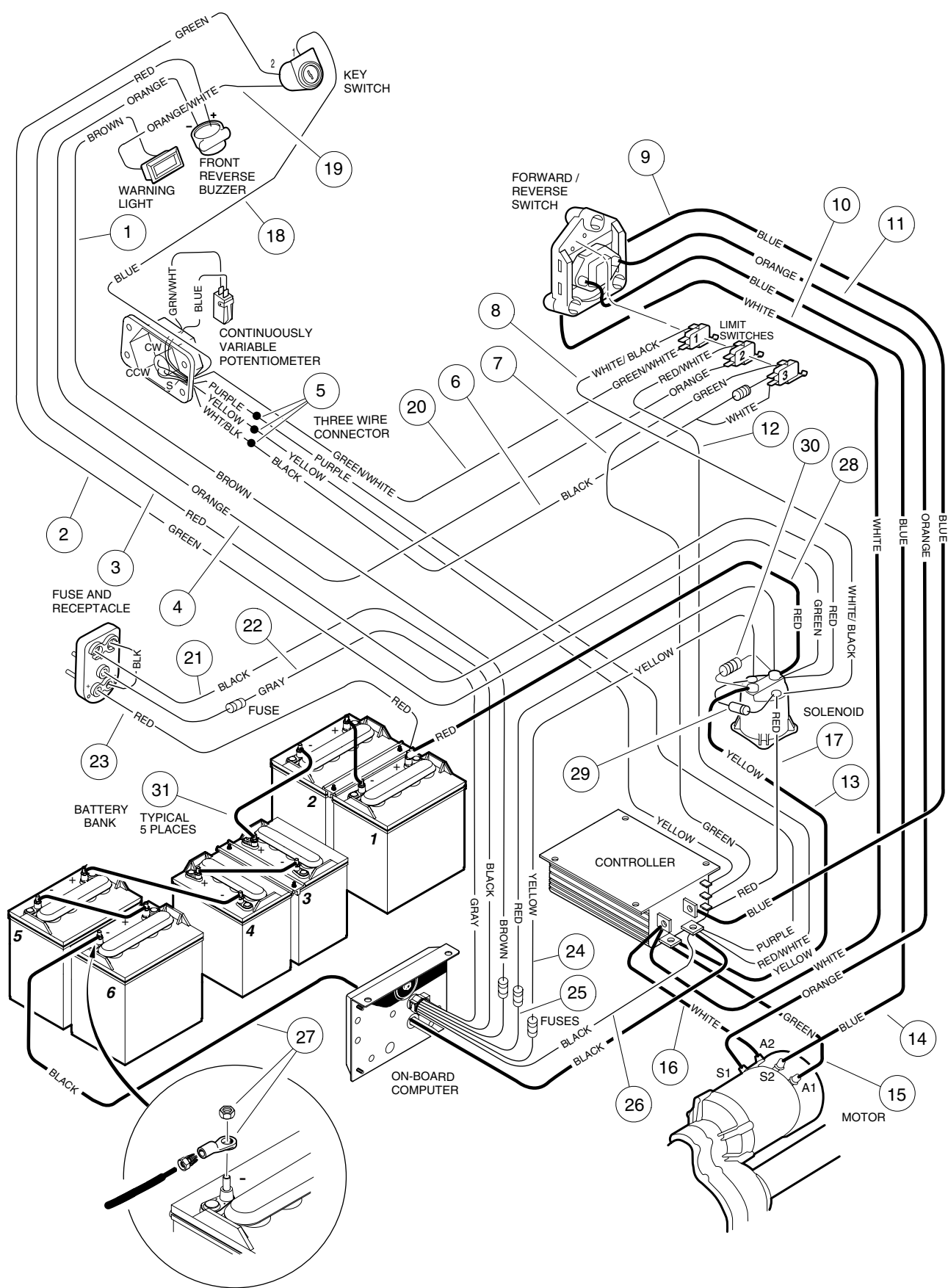


CONTINUOUSLY VARIABLE POTENTIOMETER POWERDRIVE® VEHICLE

12

E

ITEM	PART NO.	DESCRIPTION	QTY
		1 2 3 4	
	1017392-02	ASSEMBLY, POTENTIOMETER HOUSING WITH BLACK PLUG (INCLUDES ITEMS 1 - 13) (FOR VEHICLES PRIOR TO SERIAL NUMBER 9628-508740)	1
	1017392-01	ASSEMBLY, POTENTIOMETER HOUSING WITH GRAY PLUG (INCLUDES ITEMS 1 - 12 AND 14) (FOR VEHICLES SERIAL NUMBER 9628-508740 AND LATER)	1
1	N/A	HOUSING, POTENTIOMETER	1
2	1017830	SWITCH, LIMIT	1
3	1018226-01	SCREW, HEX HEAD, #4 - 24	2
4	1018090-01	LEVER, POTENTIOMETER	1
5	1017853	SCREW, HEX HEAD, #6 - 32 x 3/4	1
6	1011229	NUT, LOCK, "K", #6 - 32	1
7	1017393	WIRE ASSEMBLY, #18 BLUE	1
8	1017394	WIRE ASSEMBLY, #18 GREEN/WHITE	1
9	N/A	POTENTIOMETER	1
10	0008168	WRAP, TIE	3
11	N/A	CONDUIT, ELECTRICAL	1
12	1017424	BEARING, PIVOT SUPPORT	1
13	1018573-01	HOUSING, FEMALE, 3-WIRE BLACK (FOR VEHICLES PRIOR TO SERIAL NUMBER 9628-508740)	1
14	1018951-01	HOUSING, FEMALE, 3-WIRE GRAY (FOR VEHICLES SERIAL NUMBER 9628-508740 AND LATER)	1
15	1018571-01	HOUSING, MALE, 3-WIRE BLACK (FOR VEHICLES PRIOR TO SERIAL NUMBER 9628-508740)	1
16	1019201-01	HOUSING, MALE, 3-WIRE GRAY	1
17	1018619-01	SCREW, HEX HEAD CAP, 1/4 - 20 x 1 1/8	4
18	0000332	WASHER, FLAT, 1/4	4
19	0008233	NUT, NYLON LOCK, 1/4 - 20	4
20	1017743	COVER, ACCELERATOR	1
21	1018043-01	SCREW, HI-LO HEX HEAD, #8 - 18 x 1/2	2
22	1018945-01	ASSEMBLIES, ADAPTER PLUG (2 PIECES) (ADAPTS A POTENTIOMETER ASSEMBLY WITH A GRAY PLUG TO A WIRE HARNESS WITH A BLACK PLUG, OR ADAPTS A POTENTIOMETER ASSEMBLY WITH A BLACK PLUG TO A WIRE HARNESS WITH A GRAY PLUG)	A/R

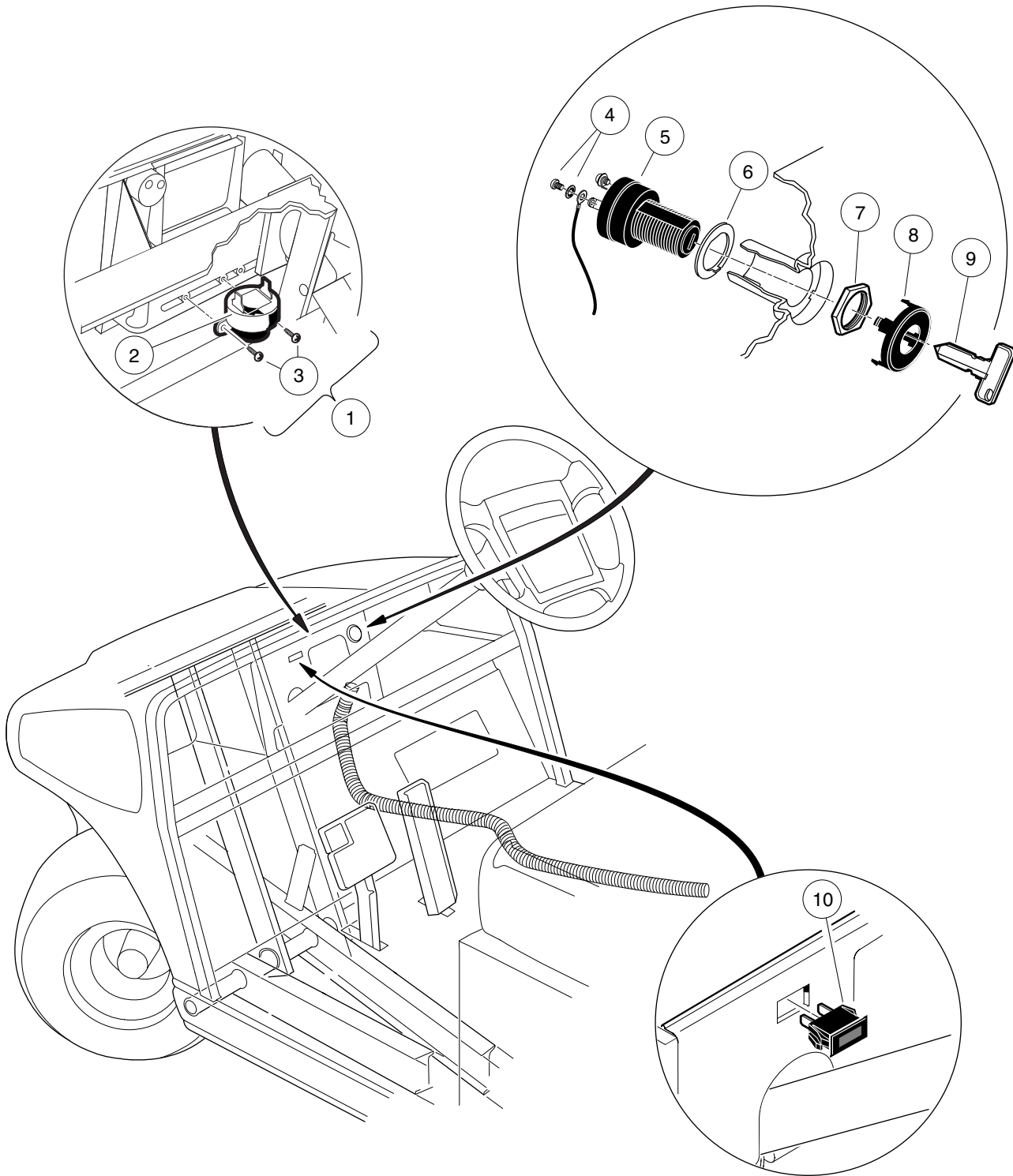


WIRING - CARRYALL I POWERDRIVE® VEHICLE

12

E

ITEM	PART NO.	DESCRIPTION	QTY
		1 2 3 4	
	1017942-05	WIRE HARNESS (INCLUDES ITEMS 1 - 15)	1
1	1017956	WIRE ASSEMBLY, #18 BROWN	1
2	1016121	WIRE ASSEMBLY, #18 GREEN	1
3	1016135	WIRE ASSEMBLY, #18 RED	1
4	1016134	WIRE ASSEMBLY, #18 ORANGE	1
5	1018651-01	ASSEMBLY, 3-WIRE PLUG (INCLUDES #18 PURPLE, #18 YELLOW AND ITEM 6) ..	1
6	1018830-01	WIRE ASSEMBLY, #18 BLACK (INCLUDES RESISTOR AND #18 WHITE WIRE) ..	1
7	1018403-01	WIRE ASSEMBLY, #18 GREEN	1
8	1016122	WIRE ASSEMBLY, #18 WHITE/BLACK	1
9	1018110	WIRE ASSEMBLY, #6 BLUE	1
10	1015856	WIRE ASSEMBLY, #6 WHITE	1
11	1014854	WIRE ASSEMBLY, #6 ORANGE	1
12	1017993	WIRE ASSEMBLY, #18 RED/WHITE	1
13	1015858	WIRE ASSEMBLY, #6 YELLOW	1
14	1018109	WIRE ASSEMBLY, #6 BLUE	1
15	1015860	WIRE ASSEMBLY, #6 GREEN	1
16	1015861	WIRE ASSEMBLY, #6 WHITE	1
17	1015865	WIRE ASSEMBLY, #18 RED	1
18	1016133	WIRE ASSEMBLY, #18 BLUE	1
19	1017967-01	WIRE ASSEMBLY, #18 ORANGE/WHITE	1
20	1017394	WIRE ASSEMBLY, #18 GREEN/WHITE	1
21	N/A	WIRE ASSEMBLY, #10 BLACK (PART OF ON-BOARD COMPUTER ASSEMBLY)	1
22	N/A	WIRE ASSEMBLY, #18 GREY (PART OF ON-BOARD COMPUTER ASSEMBLY)	1
23	N/A	WIRE ASSEMBLY, #10 RED (PART OF FUSE AND RECEPTACLE ASSEMBLY)	1
24	N/A	WIRE ASSEMBLY, #18 YELLOW (PART OF ON-BOARD COMPUTER ASSEMBLY)	1
25	N/A	WIRE ASSEMBLY, #18 RED (PART OF ON-BOARD COMPUTER ASSEMBLY)	1
26	N/A	WIRE ASSEMBLY, #10 BLACK (PART OF ON-BOARD COMPUTER ASSEMBLY)	1
27	1018278-01	KIT, WIRE AND TERMINAL, #6 BLACK	1
28	1018376-01	WIRE ASSEMBLY, #6 RED	1
29	1017948	ASSEMBLY, DIODE	1
30	1017947	ASSEMBLY, RESISTOR	1
31	1017957-01	WIRE ASSEMBLY, #6 BLACK	5

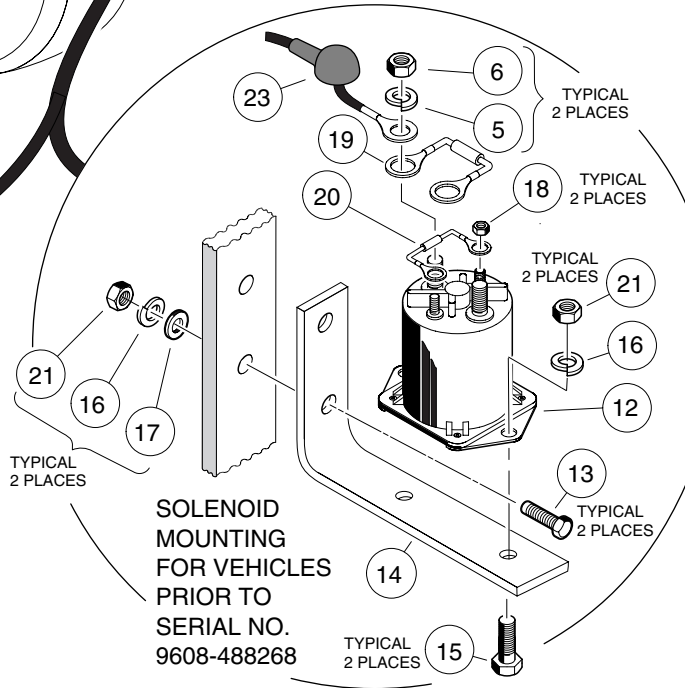
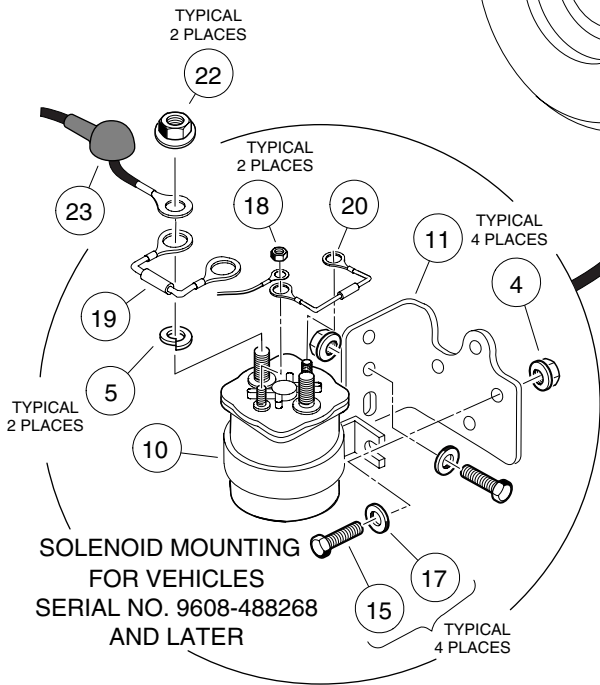
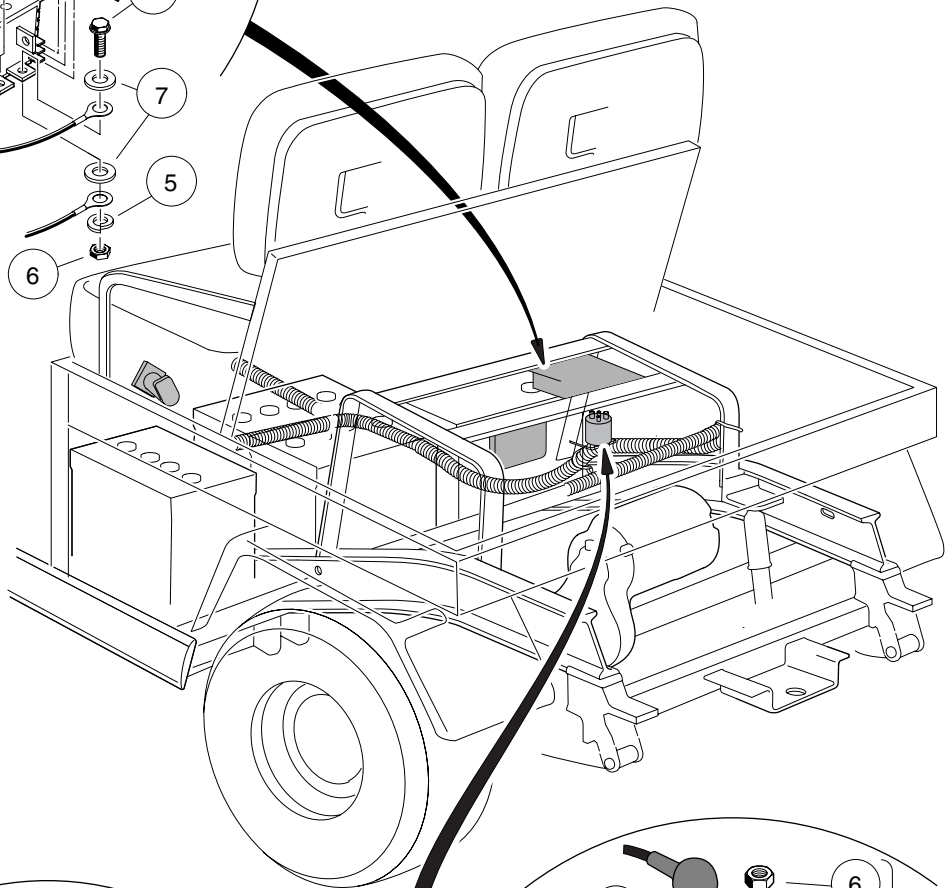
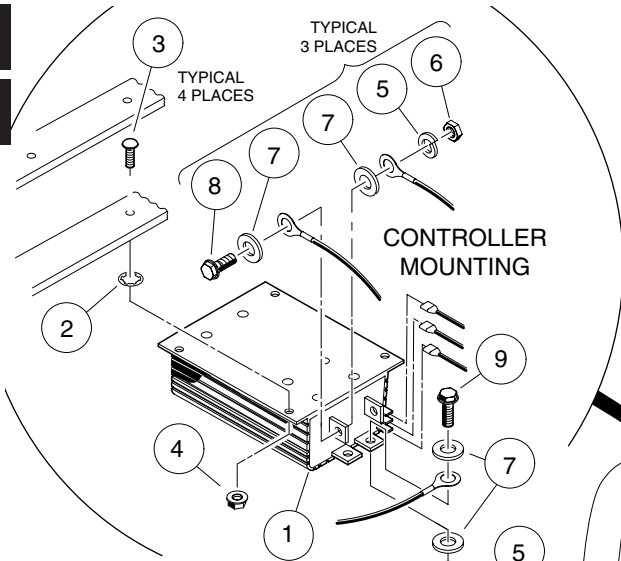


ELECTRICAL COMPONENTS, FRONT BODY CARRYALL I POWERDRIVE® VEHICLE

12

E

ITEM	PART NO.	DESCRIPTION	QTY
		1 2 3 4	
1	1016859	KIT, REVERSE BUZZER (INCLUDES ITEMS 2 AND 3)	1
2	1016851	BUZZER, REVERSE	1
3	1016849	SCREW, PAN HEAD HILO, #4 - 24 x 5/16	2
4	1018306-01	ASSEMBLY, SCREW AND WASHER	2
5	1018262-01	SWITCH, KEY	1
6	1018511-01	WASHER	1
7	1018307-01	NUT, KEY SWITCH	1
8	1018345-02	CAP, KEY SWITCH	1
9	1012505	KEY (PAIR)	1
10	1018025-01	LIGHT, BATTERY WARNING	1

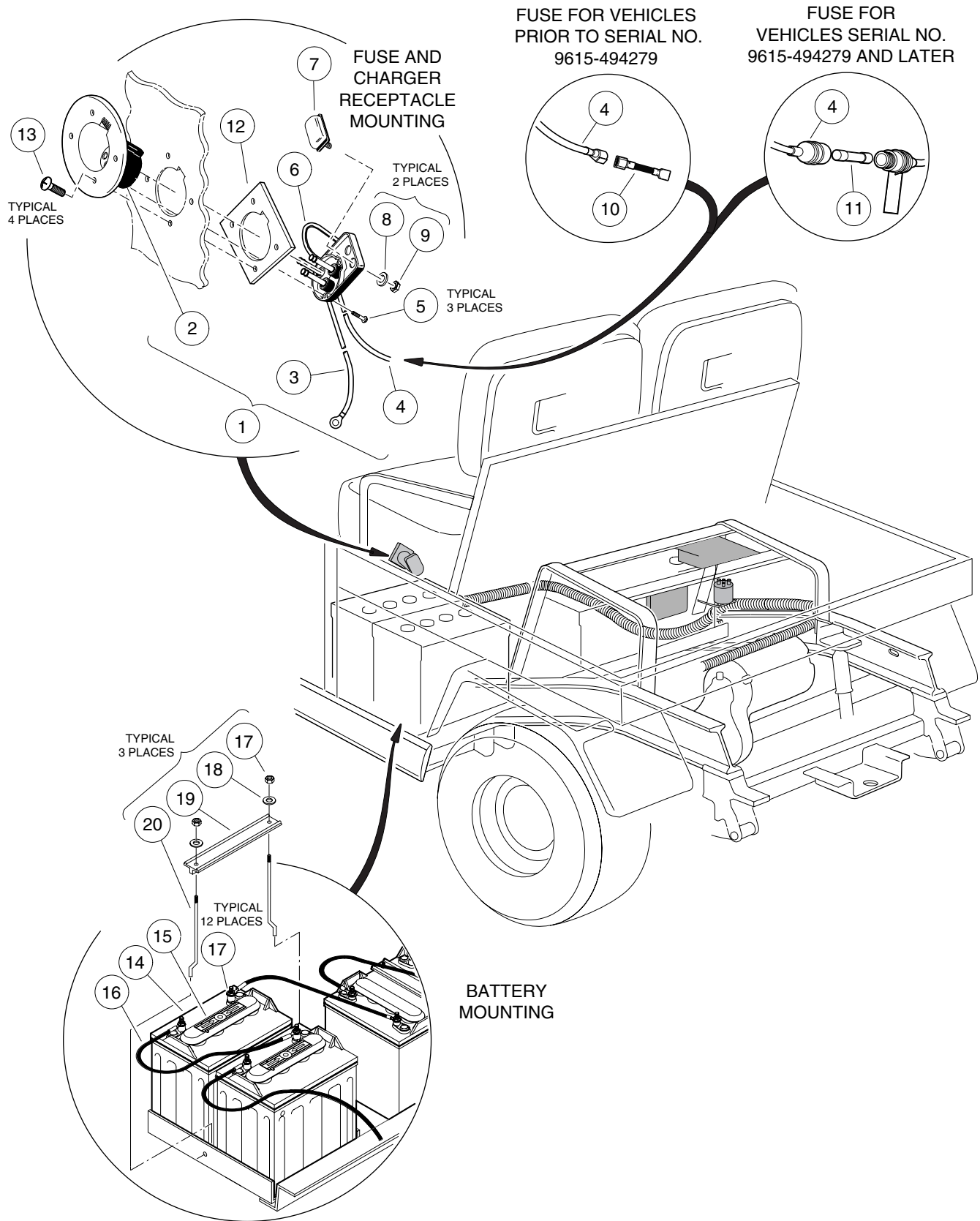


ELECTRICAL COMPONENTS, REAR BODY CARRYALL I POWERDRIVE® VEHICLE

12

E

ITEM	PART NO.	DESCRIPTION	QTY
		1 2 3 4	
1	1018402-02	CONTROLLER, 48 VOLT (235 AMP) (FOR VEHICLES PRIOR TO SERIAL NUMBER 9608-488268)	1
1	1018402-03	CONTROLLER, 48 VOLT (300 AMP) (FOR VEHICLES SERIAL NUMBER 9608-488268 AND LATER)	1
2	1016631	NUT, PUSH	4
3	1017203	BOLT, CARRIAGE, 1/4 - 20 x 1	4
4	1018356-01	NUT, HEX FLANGED LOCK, 1/4 - 20	8
5	0007174	WASHER, LOCK, 5/16	6
6	0001242	NUT, HEX, 5/16 - 18	6
7	0001241	WASHER, FLAT, 5/16	8
8	0007173	BOLT, HEX HEAD, 5/16 - 18 x 3/4	3
9	0001218	BOLT, HEX HEAD, 5/16 - 18 x 1 1/4	1
10	1018836-01	SOLENOID, 48 VOLT (FOR VEHICLES SERIAL NUMBER 9608-488268 AND LATER) ..	1
11	1018837-01	BRACKET, SOLENOID MOUNTING (FOR VEHICLES SERIAL NUMBER 9608-488268 AND LATER)	1
12	1018070-01	SOLENOID, 48 VOLT (FOR VEHICLES PRIOR TO SERIAL NUMBER 9608-488268)	1
13	0000304	BOLT, HEX HEAD, 1/4 - 20 x 1	2
14	1015838	BRACKET, SOLENOID MOUNTING (FOR VEHICLES PRIOR TO SERIAL NUMBER 9608-488268)	1
15	0007847	BOLT, HEX HEAD, 1/4 - 20 x 3/4	4
16	0000451	WASHER, LOCK, 1/4	4
17	0000332	WASHER, FLAT, 1/4	4
18	0007893	NUT, HEX, #10 - 32	2
19	1014947	ASSEMBLY, RESISTOR	1
20	1014948	ASSEMBLY, DIODE	1
21	0001028	NUT, HEX, 1/4 - 20	4
22	1017237	NUT, FLANGED LOCK, 5/16 - 24	2
23	1019026-01	BOOT, WIRE	1

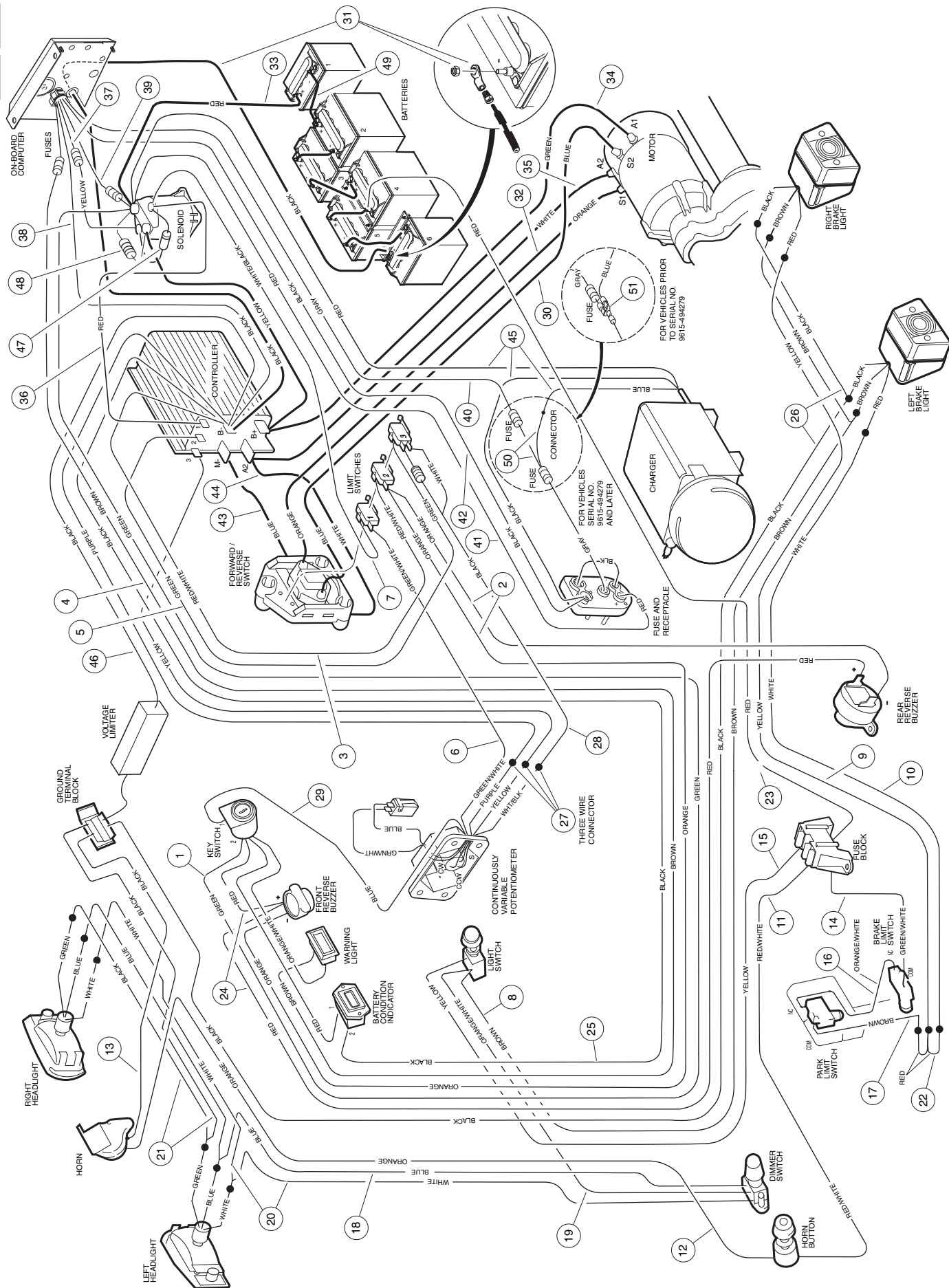


ELECTRICAL COMPONENTS, REAR BODY CARRYALL I POWERDRIVE® VEHICLE

12

E

ITEM	PART NO.	DESCRIPTION	QTY
		1 2 3 4	
1	1018021-01	KIT, FUSE AND RECEPTACLE (INCLUDES ITEMS 2 - 11)	1
2	1017965-01	BEZEL, RECEPTACLE	1
3	N/A	WIRE ASSEMBLY, #10 RED	1
4	N/A	WIRE ASSEMBLY, SENSE LEAD, GREY	1
5	1017705	SCREW, PHILLIPS PAN HEAD, #8 TYPE AB	3
6	N/A	WIRE ASSEMBLY, #10 BLACK	1
7	1017968-01	FUSE ASSEMBLY, 48 VOLT (INCLUDES ITEMS 8 AND 9)	1
8	1018038	WASHER, NARROW TYPE 13, #10	2
9	1018028	NUT, SERRATED, #10 - 32	2
10	1018633-01	FUSE ASSEMBLY, 1/4 AMP (FOR VEHICLES PRIOR TO SERIAL NUMBER 9615-494279)	1
11	1018949-01	FUSE ASSEMBLY, 3/8 AMP (FOR VEHICLES SERIAL NUMBER 9615-494279 AND LATER)	1
12	1018010-01	PLATE, RECEPTACLE BACKING	1
13	1018320-01	SCREW, PHILLIPS PAN HEAD, #7 - 18 x 3/4	4
14	1017977-01	BATTERY, 8 VOLT POWERDRIVE	6
14	1017977-02	BATTERY, 8 VOLT POWERDRIVE, DRY	6
15	1017978-01	CAP, BATTERY, 4 PORT GANG	6
16	1017957-01	WIRE ASSEMBLY, #6 BLACK	5
17	1014304	NUT, STAINLESS STEEL HEX, 5/16 - 18	18
18	1011578	WASHER, FLAT, TYPE B WIDE, 5/16	6
19	1018030-01	HOLD-DOWN, BATTERY	3
20	1013683	BOLT, "J"	6

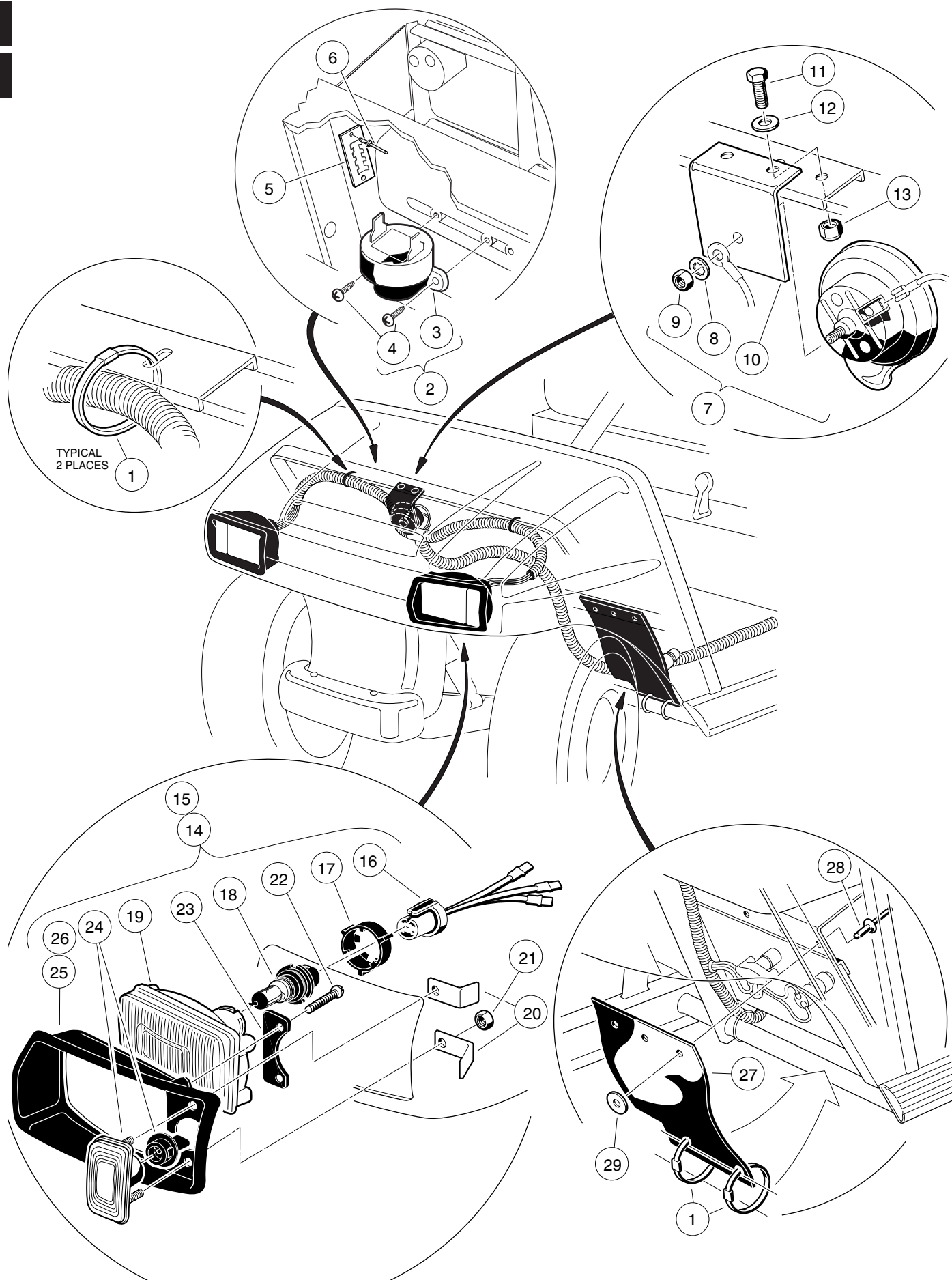


WIRING - CARRYALL VI POWERDRIVE® VEHICLE

12

E

ITEM	PART NO.	DESCRIPTION	QTY
		1 2 3 4	
	1018195-01	WIRE HARNESS (CONTAINS ITEMS 1 - 28)	1
1	1016687	WIRE ASSEMBLY, #18 GREEN	1
2	1016688	WIRE ASSEMBLY, #18 ORANGE	1
3	1018199-01	WIRE ASSEMBLY, #18 RED/WHITE	1
4	1018211-02	WIRE ASSEMBLY, #18 BROWN	1
5	1018403-02	WIRE ASSEMBLY, #18 GREEN	1
6	1018252-01	WIRE ASSEMBLY, #16 GREEN/WHITE	1
7	1018200-01	WIRE ASSEMBLY, #18 WHITE/BLACK	1
8	1016699	WIRE ASSEMBLY, #18 BROWN	1
9	1016774	WIRE ASSEMBLY, #18 YELLOW	1
10	1016695	WIRE ASSEMBLY, #18 WHITE	1
11	1016696	WIRE ASSEMBLY, #16 RED/WHITE	1
12	1016307	WIRE ASSEMBLY, #16 ORANGE	1
13	1016308	WIRE ASSEMBLY, #16 BLACK	1
14	1016700	WIRE ASSEMBLY, #18 GREEN/WHITE	1
15	1016697	WIRE ASSEMBLY, #14 YELLOW	1
16	1016309	WIRE ASSEMBLY, #16 ORANGE/WHITE	1
17	1016314	WIRE ASSEMBLY, #16 BROWN	1
18	1017052	WIRE ASSEMBLY, #18 BLUE	1
19	1016315	WIRE ASSEMBLY, #16 ORANGE/WHITE	1
20	1016323	WIRE ASSEMBLY, #16 WHITE	1
21	1016326	WIRE ASSEMBLY, #16 BLACK	1
22	1016409	WIRE ASSEMBLY, #18 RED	1
23	1016698	WIRE ASSEMBLY, #10 RED	1
24	1016748	WIRE ASSEMBLY, #18 RED	1
25	1018182-01	WIRE ASSEMBLY, #18 BLACK	1
26	1018369-01	WIRE ASSEMBLY, #18 BLACK	1
27	1018651-02	ASSEMBLY, 3-WIRE PLUG (INCLUDES #18 PURPLE, #18 YELLOW AND ITEM 28)	1
28	1018830-01	WIRE ASSEMBLY, #18 BLACK (INCLUDES RESISTOR AND #18 WHITE WIRE)	1
29	1016133	WIRE ASSEMBLY, #18 BLUE	1
30	1016735	WIRE ASSEMBLY, #6 BLUE	1
31	1018278-02	KIT, WIRE AND TERMINAL, #6 BLACK	1
32	1016736	WIRE ASSEMBLY, #6 ORANGE	1
33	1016734	WIRE ASSEMBLY, #6 RED	1
34	1016731	WIRE ASSEMBLY, #6 GREEN	1
35	1016730	WIRE ASSEMBLY, #6 WHITE	1
36	1016738	WIRE ASSEMBLY, #18 RED	1
37	N/A	WIRE ASSEMBLY, #18 YELLOW (PART OF ON-BOARD COMPUTER ASSEMBLY)	1
38	N/A	WIRE ASSEMBLY, #10 BLACK (PART OF ON-BOARD COMPUTER ASSEMBLY)	1
39	N/A	WIRE ASSEMBLY, #18 RED (PART OF ON-BOARD COMPUTER ASSEMBLY).....	1
40	N/A	WIRE ASSEMBLY, #18 GREY (PART OF ON-BOARD COMPUTER ASSEMBLY)	1
41	N/A	WIRE ASSEMBLY, #10 RED (PART OF FUSE AND RECEPTACLE ASSEMBLY).....	1
42	N/A	WIRE ASSEMBLY, #10 BLACK (PART OF ON-BOARD COMPUTER ASSEMBLY)	1
43	1016728	WIRE ASSEMBLY, #6 BLUE	1
44	1016729	WIRE ASSEMBLY, #6 WHITE	1
45	N/A	WIRE ASSEMBLY, #10 BLUE, #10 RED, #10 BLACK (PART OF ON-BOARD CHARGER) .	1
46	N/A	WIRE ASSEMBLY, #10 BLACK (PART OF VOLTAGE LIMITER ASSEMBLY)	1
47	1017948	ASSEMBLY, DIODE	1
48	1017947	ASSEMBLY, RESISTOR	1
49	1017957-01	WIRE ASSEMBLY, #6 BLACK	5
50	1018968-01	ASSEMBLY, 3-WAY PLUG (FOR VEHICLES SERIAL NUMBER 9615-494279 AND LATER)	1
51	1018085-01	ADAPTER, RECEPTACLE AND TABS FASTON	1

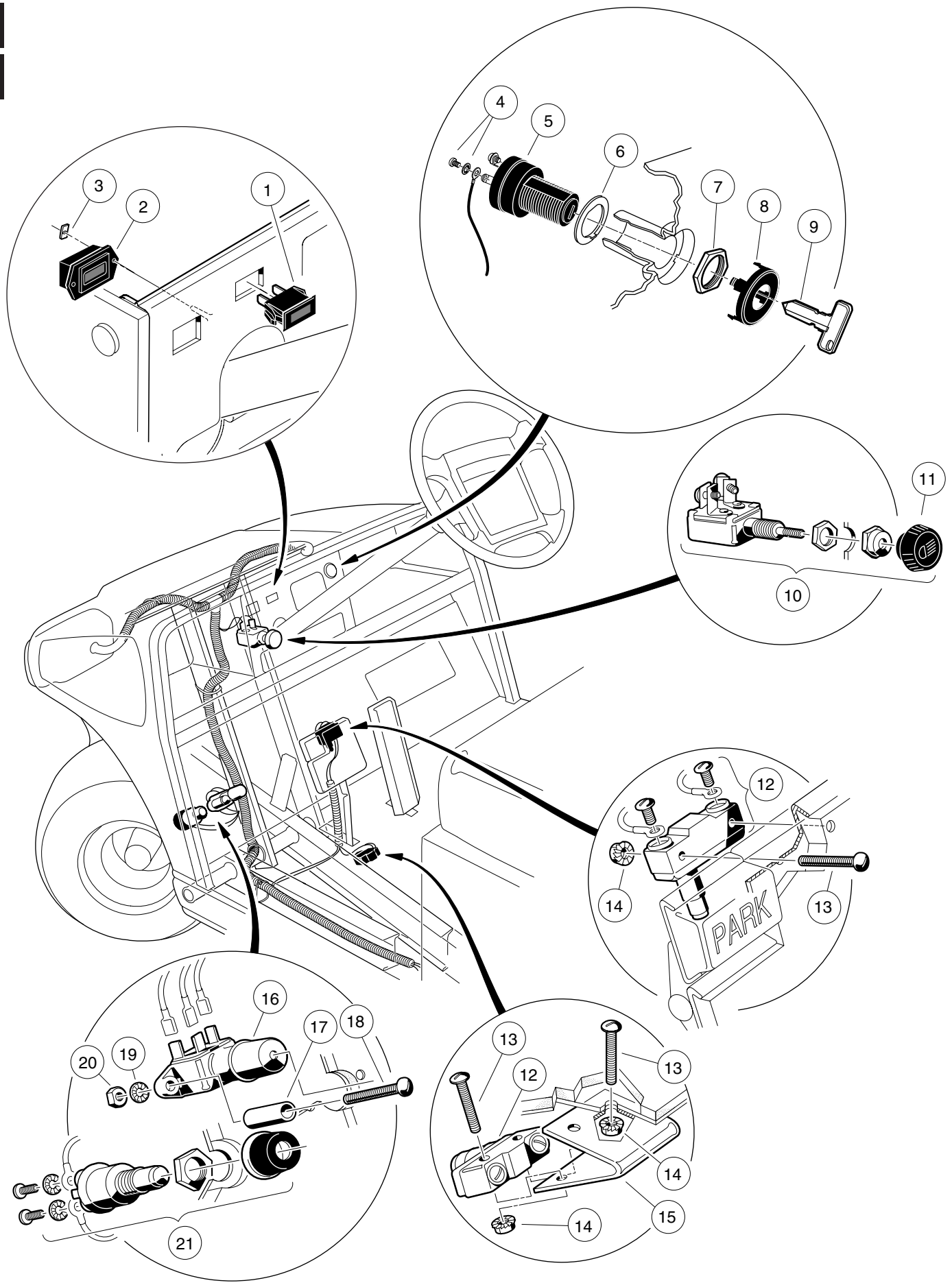


ELECTRICAL COMPONENTS, FRONT BODY CARRYALL VI POWERDRIVE® VEHICLE

12

E

ITEM	PART NO.	DESCRIPTION	QTY
		1 2 3 4	
1	0008639	WRAP, TIE	4
2	1016859	KIT, REVERSE BUZZER (INCLUDES ITEMS 3 AND 4)	1
3	1016851	BUZZER, REVERSE	1
4	1016849	SCREW, PAN HEAD HI-LO, #4 - 24 x 5/16	2
5	1016356	BLOCK, TERMINAL	1
6	1013357	RIVET, ALUMINUM POP, 5/32	2
7	0004029	ASSEMBLY, HORN (INCLUDES ITEMS 8, 9 AND 10)	1
8	0007820	WASHER, INTERNAL TOOTH, 5/16	1
9	1012528	NUT, M8 x 1 1/4	1
10	1011825	BRACKET, HORN	1
11	0000304	BOLT, HEX HEAD, 1/4 - 20 x 1	2
12	0000332	WASHER, FLAT, 1/4	2
13	0008233	NUT, NYLON LOCK, 1/4 - 20	2
14	1016897-01	ASSEMBLY, HEADLIGHT, LEFT HAND (INCLUDES ITEMS 16 - 25)	1
15	1016897-02	ASSEMBLY, HEADLIGHT, RIGHT HAND (INCLUDES ITEMS 16 - 24 AND 26)	1
16	1017066	HARNES, HEADLIGHT WIRE	1
17	1017059	LOCK, BULB COLLAR	1
18	1017060	BULB, HALOGEN	1
19	1017061	LENS, HEADLIGHT	1
20	1017064	BRACKET, MOUNTING	2
21	0007893	NUT, HEX, #10 - 32	2
22	1013461	SCREW, HI-LO, #10 - 16	2
23	1017065	RETAINER, HEADLIGHT	1
24	1017062	ASSEMBLY, TURN SIGNAL LENS	1
25	1016880	BEZEL, HEADLIGHT, LEFT HAND	1
26	1016879	BEZEL, HEADLIGHT, RIGHT HAND	1
27	1015787	FLAP, SWITCH PROTECTOR	1
28	0001606	RIVET, POP, 3/16	3
29	0000183	WASHER, FLAT, #10	3

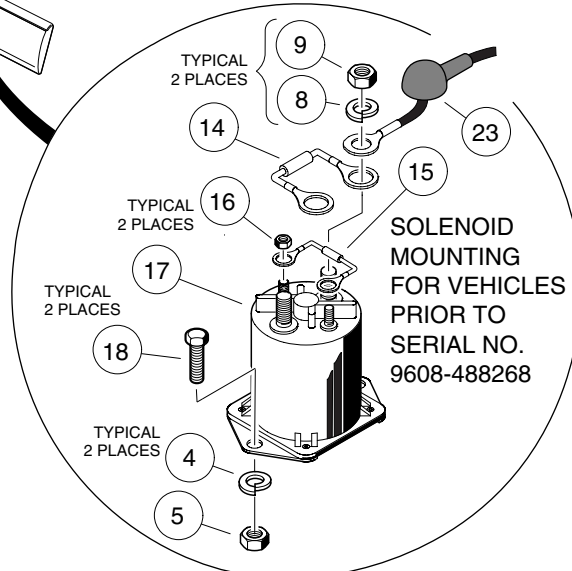
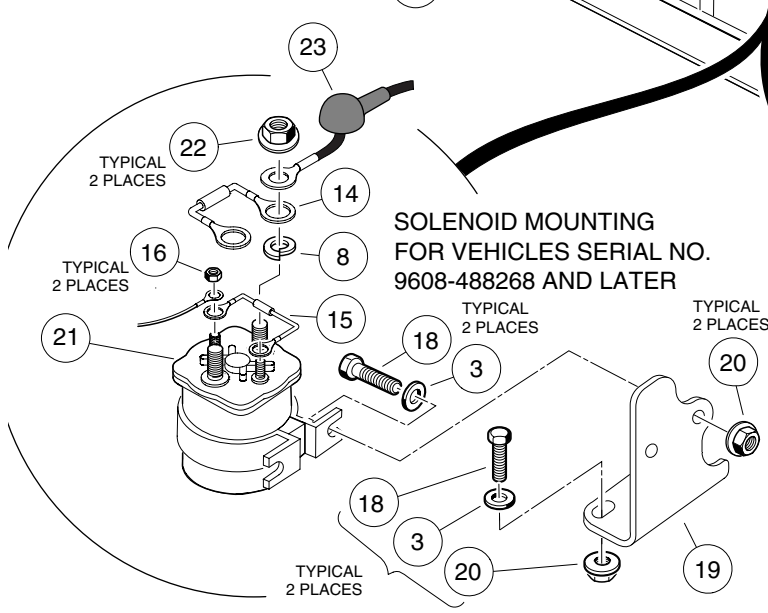
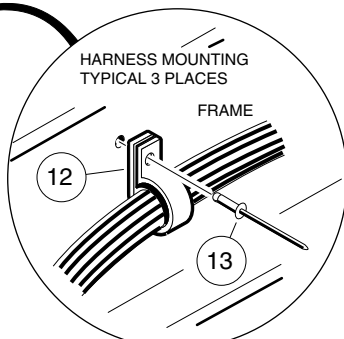
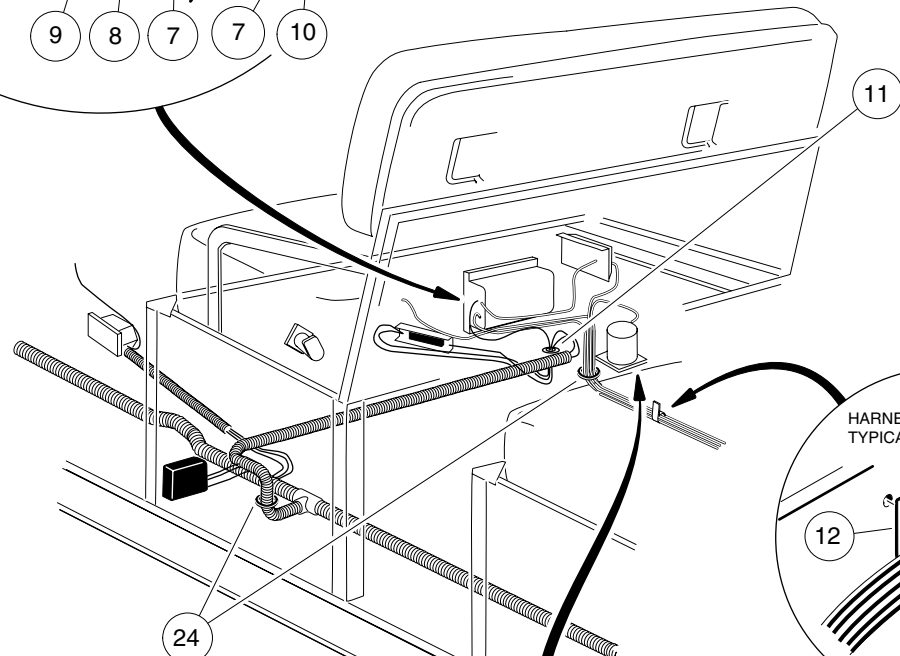
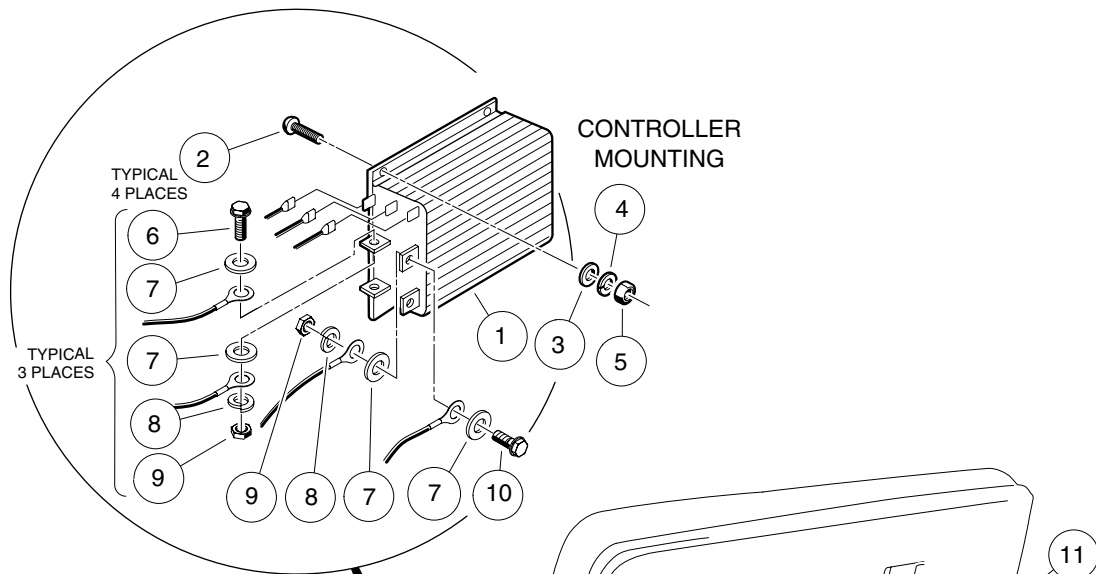


CONTROLS AND GAUGES CARRYALL VI POWERDRIVE® VEHICLE

12

E

ITEM	PART NO.	DESCRIPTION	QTY
		1 2 3 4	
1	1018025-01	LIGHT, BATTERY WARNING	1
2	1018142-01	INDICATOR, BATTERY	1
3	1018147-01	RETAINER, PUSH ON	2
4	1018306-01	ASSEMBLY, SCREW AND WASHER	2
5	1018262-01	SWITCH, KEY	1
6	1018511-01	WASHER	1
7	1018307-01	NUT, KEY SWITCH	1
8	1018345-02	CAP, KEY SWITCH	1
9	1012505	KEY (PAIR)	1
10	0004034	SWITCH, LIGHT (INCLUDES ITEM 11)	1
11	1013857	KNOB, LIGHT SWITCH	1
12	1011439	SWITCH, LIMIT	2
13	1011557	SCREW, MACHINE, #6 - 32 x 1	6
14	1011229	NUT, "K" LOCK, #6 - 32	6
15	1011742	BRACKET, BRAKE LIGHT SWITCH	1
16	1010889	SWITCH, DIMMER	1
17	1018713-01	STAND-OFF, DIMMER SWITCH	2
18	1018712-01	SCREW, MACHINE, #10 - 32 x 1	2
19	0008049	WASHER, INTERNAL TOOTH LOCK, #10	2
20	0007893	NUT, HEX, #10 - 32	2
21	1013443	BUTTON, HORN	1

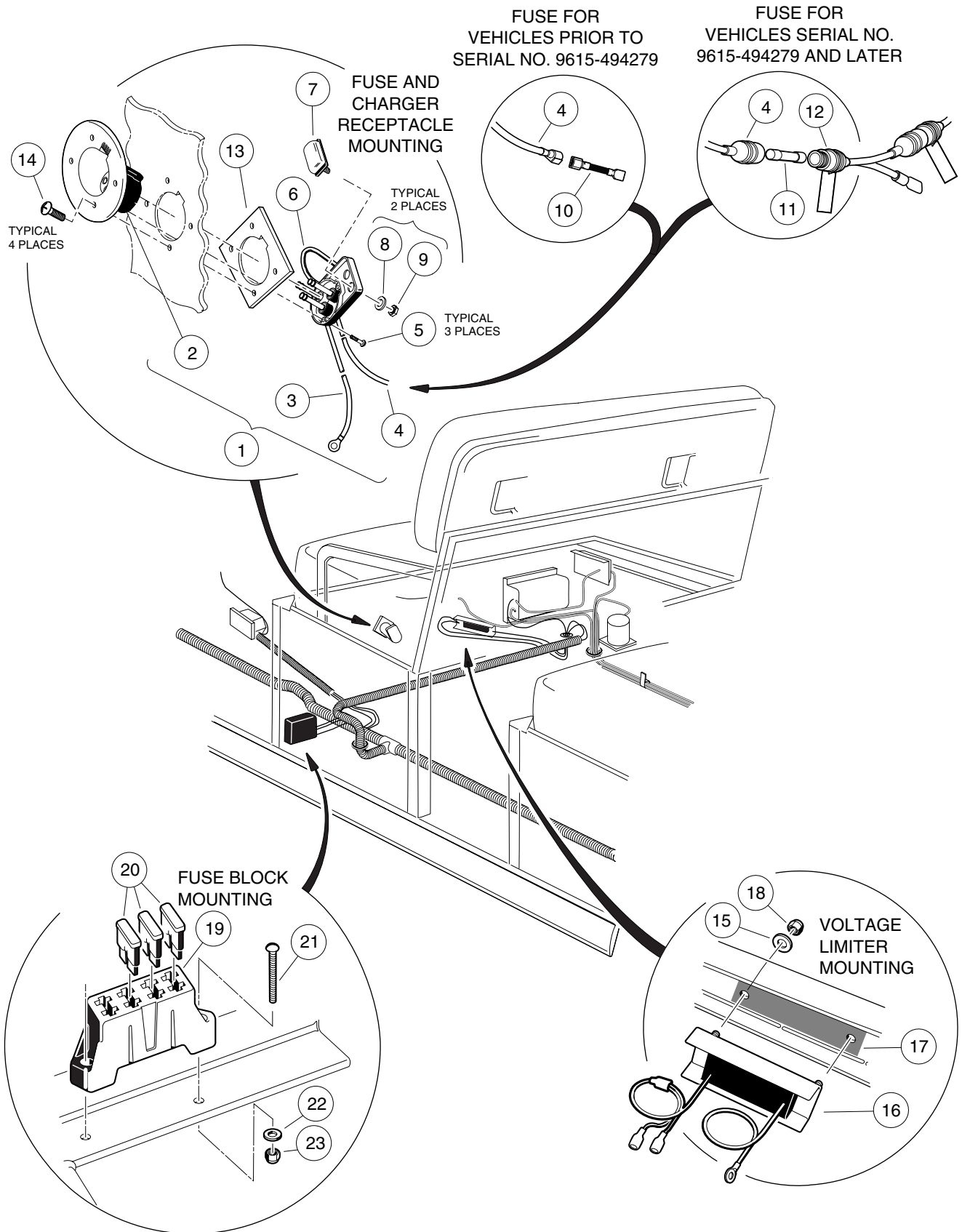


ELECTRICAL COMPONENTS, CENTER BODY CARRYALL VI POWERDRIVE® VEHICLE

12

E

ITEM	PART NO.	DESCRIPTION	QTY
		1 2 3 4	
1	1018402-02	CONTROLLER, 48 VOLT (235 AMP) (FOR VEHICLES PRIOR TO SERIAL NUMBER 9608-488268)	1
1	1018402-03	CONTROLLER, 48 VOLT (300 AMP) (FOR VEHICLES SERIAL NUMBER 9608-488268 AND LATER)	1
2	1015066	SCREW, ROUND HEAD, 1/4 - 20 x 3/4	4
3	0000332	WASHER, FLAT, 1/4	8
4	0000451	WASHER, LOCK, 1/4	6
5	0001028	NUT, HEX, 1/4 - 20	2
6	0007173	BOLT, HEX HEAD, 5/16 - 18 x 3/4	3
7	0001241	WASHER, FLAT, 5/16	8
8	0007174	WASHER, LOCK, 5/16	6
9	0001242	NUT, HEX, 5/16 - 18	6
10	0001218	BOLT, HEX HEAD, 5/16 - 18 x 1 1/4	1
11	1018024-01	GROMMET, 5/8	1
12	1012022	CLAMP, CABLE	3
13	0001606	RIVET, POP	3
14	1014947	ASSEMBLY, RESISTOR	1
15	1014948	ASSEMBLY, DIODE	1
16	0007893	NUT, HEX, #10 - 32	2
17	1018070-01	SOLENOID, 48 VOLT (FOR VEHICLES PRIOR TO SERIAL NUMBER 9608-488268)	1
18	0007847	BOLT, HEX HEAD, 1/4 - 20 x 3/4	2
19	1018837-01	BRACKET, SOLENOID MOUNTING (FOR VEHICLES SERIAL NUMBER 9608-488268 AND LATER)	1
20	1018356-01	NUT, HEX FLANGED LOCK, 1/4 - 20	4
21	1018836-01	SOLENOID, 48 VOLT (FOR VEHICLES SERIAL NUMBER 9608-488268 AND LATER) ..	1
22	1017237	NUT, FLANGED LOCK, 5/16 - 24	2
23	1019026-01	BOOT, WIRE	1
24	1016706	GROMMET, 1 1/4	2

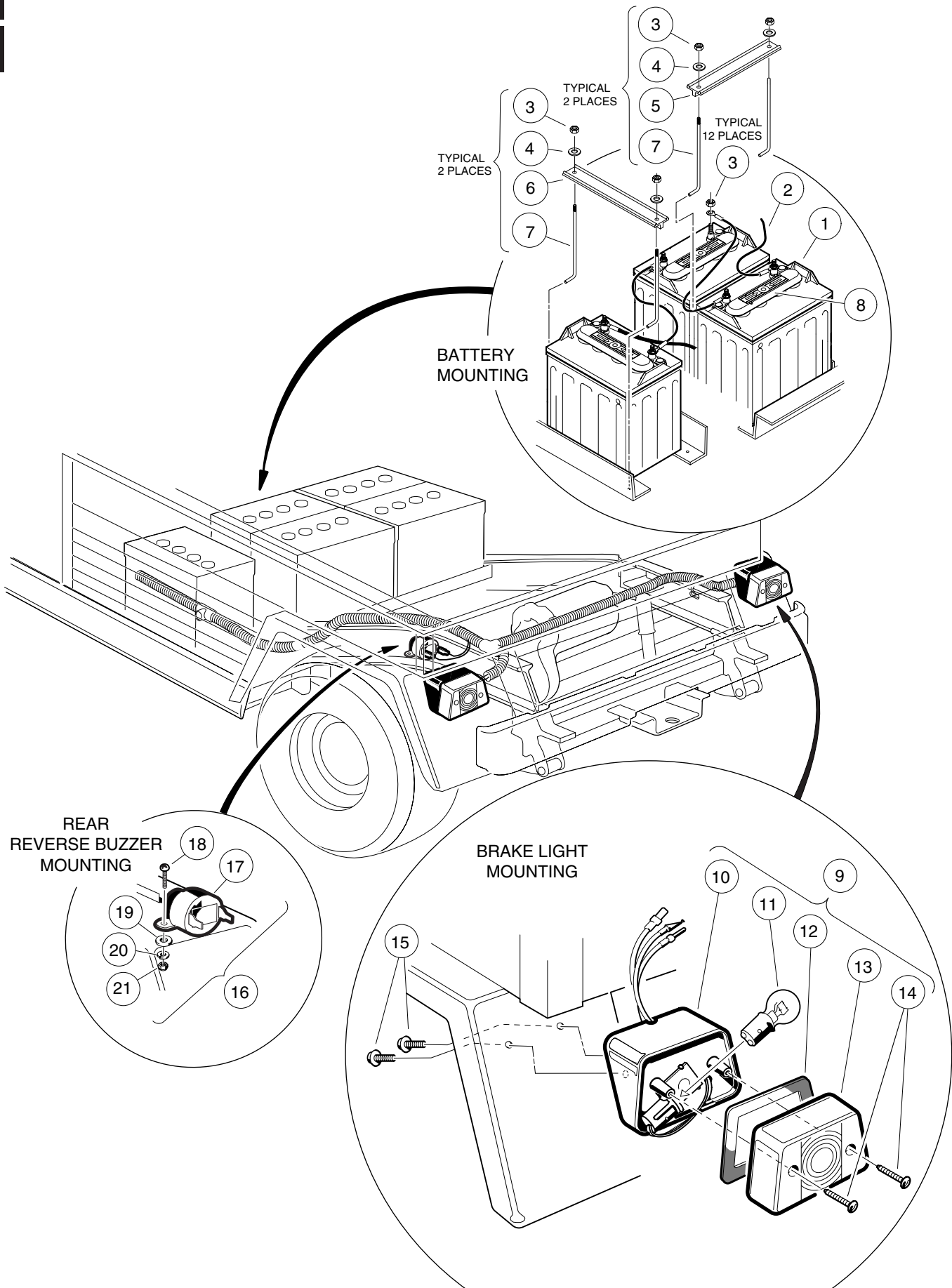


ELECTRICAL COMPONENTS, CENTER BODY CARRYALL VI POWERDRIVE® VEHICLE

12

E

ITEM	PART NO.	DESCRIPTION	QTY
		1 2 3 4	
1	1018021-01	KIT, FUSE AND RECEPTACLE (INCLUDES ITEMS 2 - 11)	1
2	1017965-01	BEZEL, RECEPTACLE	1
3	N/A	WIRE ASSEMBLY, #10 RED	1
4	N/A	WIRE ASSEMBLY, SENSE LEAD, GREY	1
5	1017705	SCREW, PHILLIPS PAN HEAD, #8 TYPE AB	3
6	N/A	WIRE ASSEMBLY, #10 BLACK	1
7	1017968-01	FUSE ASSEMBLY, 48 VOLT (INCLUDES ITEMS 8 AND 9)	1
8	1018038	WASHER, NARROW TYPE 13, #10	2
9	1018028	NUT, SERRATED, #10 - 32	2
10	1018633-01	FUSE ASSEMBLY, 1/4 AMP (FOR VEHICLES PRIOR TO SERIAL NUMBER 9615-494279)	1
11	1018949-01	FUSE ASSEMBLY, 3/8 AMP (FOR VEHICLES SERIAL NUMBER 9615-494279 AND LATER)	1
12	1018968-01	ASSEMBLY, 3-WAY PLUG (FOR VEHICLES SERIAL NUMBER 9615-494279 AND LATER)	1
13	1018010-01	PLATE, RECEPTACLE BACKING	1
14	1018320-01	SCREW, PHILLIPS PAN HEAD, #7 - 18 x 3/4	4
15	0000332	WASHER, FLAT, 1/4	2
16	1018108-01	LIMITER, VOLTAGE (INCLUDES ITEM 17)	1
17	1018367-02	COMPOUND, HEAT SINK	A/R
18	0008233	NUT, NYLON LOCK, 1/4 - 20	2
19	1015741	BLOCK, FUSE	1
20	1016423	FUSE, 20 AMP	3
21	1010909	SCREW, ROUND HEAD, #10 - 32 x 1 1/4	2
22	0000183	WASHER, FLAT, #10	2
23	1013061	NUT, NYLON LOCK, #10 - 32	2



ELECTRICAL COMPONENTS, REAR BODY CARRYALL VI POWERDRIVE® VEHICLE

12

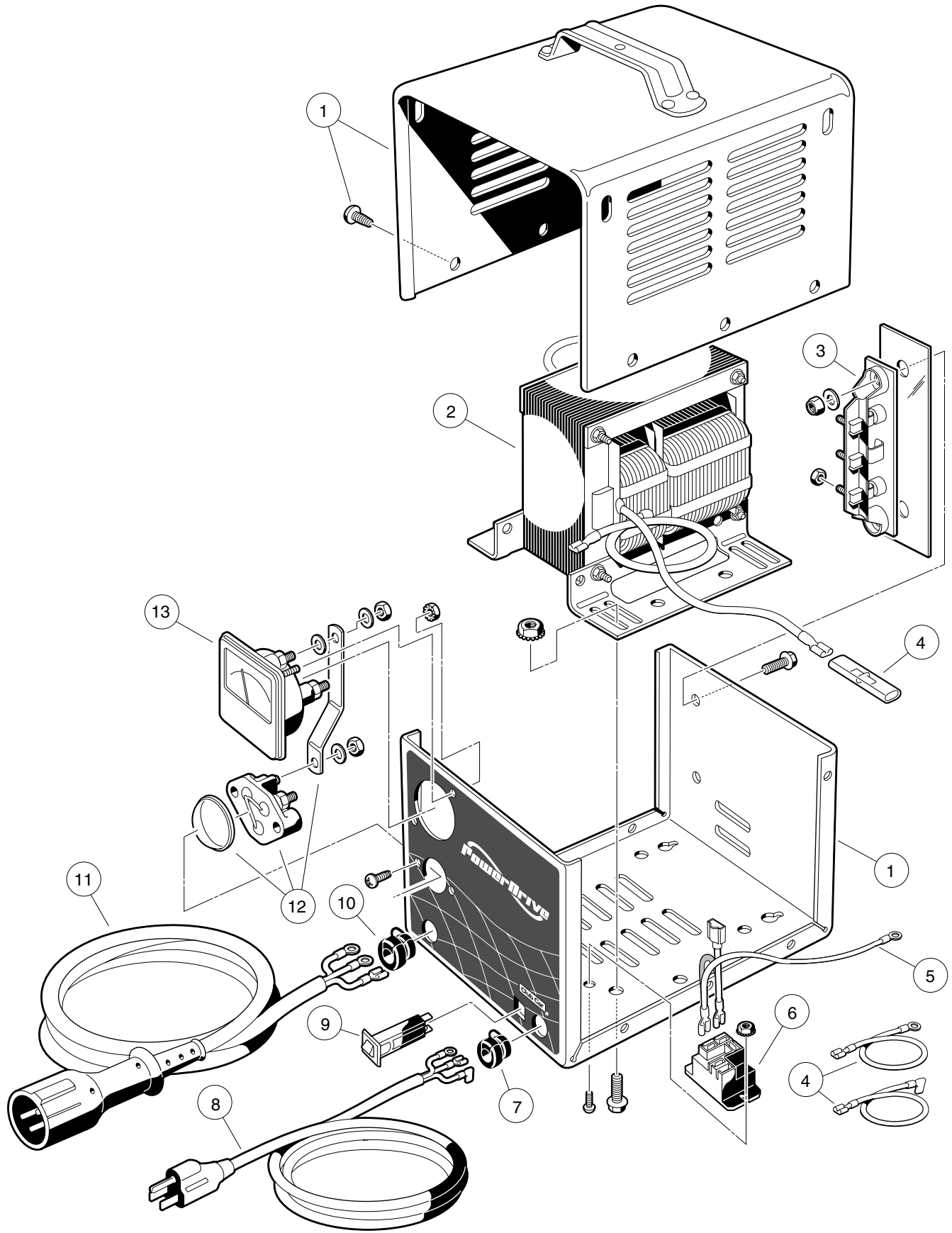
E

ITEM	PART NO.	DESCRIPTION	QTY
		1 2 3 4	
1	1017977-01	BATTERY, 8-VOLT POWERDRIVE	6
1	1017977-02	BATTERY, 8-VOLT POWERDRIVE, DRY.....	6
2	1017957-01	WIRE ASSEMBLY, #6 BLACK	5
3	1014304	NUT, HEX, STAINLESS STEEL, 5/16 -18	20
4	1011578	WASHER, FLAT, TYPE B WIDE, 5/16	8
5	1018030-01	HOLD-DOWN, BATTERY, SHORT	2
6	1018030-02	HOLD-DOWN, BATTERY, LONG	2
7	1016682-01	ROD, BATTERY HOLD-DOWN	8
8	1017978-01	CAP, BATTERY, 4 PORT GANG	6
9	1016717	ASSEMBLY, TAILLIGHT (INCLUDES ITEMS 10 - 14)	2
10	N/A	HOUSING, TAILLIGHT	1
11	1011582	BULB	1
12	N/A	GASKET	1
13	N/A	LENS	1
14	N/A	SCREW, LENS	2
15	1015752	SCREW, HI-LO, #12 - 16 x 5/8	2
16	1016859	KIT, REVERSE BUZZER (INCLUDES ITEMS 17 - 21)	1
17	1016851	BUZZER, REVERSE	1
18	0008056	SCREW, ROUND HEAD, #4 - 40 x 3/4	2
19	1012431	WASHER, FLAT, #4	2
20	0008058	WASHER, LOCK, #4	2
21	0008057	NUT, HEX, #4 - 40	2

BATTERY CHARGERS

13

E

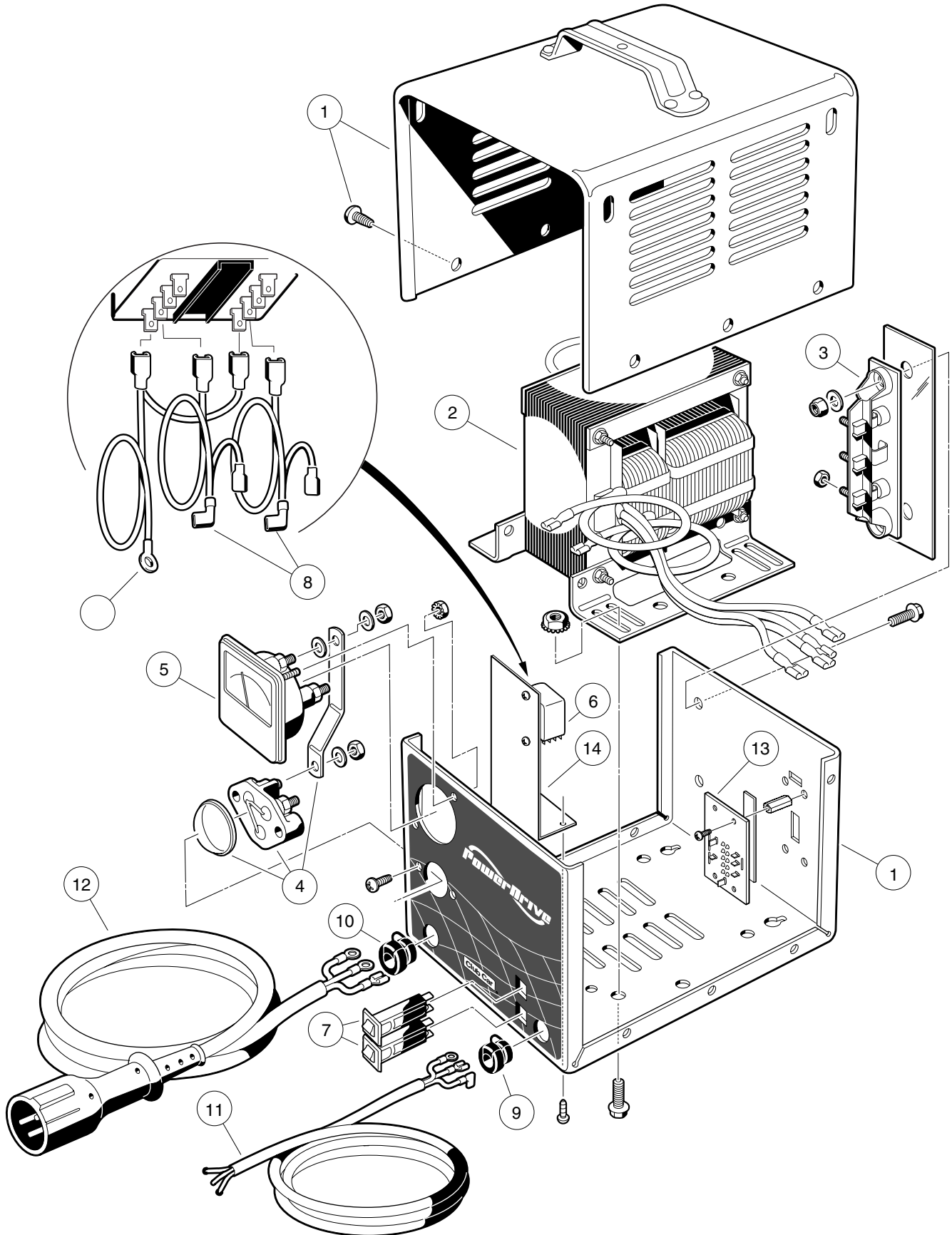


POWERDRIVE® CHARGER, DOMESTIC CARRYALL I

13

E

ITEM	PART NO.	DESCRIPTION	QTY
		1 2 3 4	
	1018022-01	CHARGER, BATTERY, POWERDRIVE, DOMESTIC 120VAC 48VDC 60 HZ (MODEL NUMBER 17930-11) (INCLUDES ITEMS 1 - 13) 103 IN. DC CORD WITH MALE 3-PIN PLUG, 12 AWG 74 IN. AC CORD WITH MALE GROUNDED PLUG	1
	1018022-02	CHARGER, BATTERY, POWERDRIVE 120VAC 48VDC 60 HZ (MODEL NUMBER 17930-18) (INCLUDES ITEMS 1 - 13) 144 IN. DC CORD WITH MALE 3-PIN PLUG, 12 AWG 108 IN. AC CORD WITH MALE GROUNDED PLUG	1
	1018022-03	CHARGER, BATTERY, POWERDRIVE 120VAC 48VDC 60 HZ (MODEL NUMBER 17930-19) (INCLUDES ITEMS 1 - 13) 240 IN. DC CORD WITH MALE 3-PIN PLUG, 12 AWG 108 IN. AC CORD WITH MALE GROUNDED PLUG	1
1	1018283-01	ASSEMBLY, CASE (INCLUDES FASTENERS)	1
2	1018197-01	ASSEMBLY, TRANSFORMER	1
3	1015914	ASSEMBLY, HEATSINK, WITH DIODES (INCLUDES MOUNTING HARDWARE)	1
4	1018311-01	KIT, WIRE ASSEMBLY	1
5	1019144-01	ASSEMBLY, VOLTAGE SUPPRESSOR (FOR BATTERY CHARGERS SERIAL NUMBER 42298 [ON CHARGER CASE] AND LATER)	1
6	1018286-01	RELAY, POWER, 48 VDC	1
7	1015917	BUSHING, STRAIN RELIEF, AC CORD	1
8	1018288-01	CORDSET, AC, 80 INCHES LONG	1
8	1018288-02	CORDSET, AC, 116 INCHES LONG	1
9	1018287-01	BREAKER, CIRCUIT, 15 AMP	1
10	1012098	BUSHING, STRAIN RELIEF, DC CORD, 12 AWG	1
11	1018289-01	CORDSET, DC, 113 INCHES LONG WITH MALE 3-PIN PLUG, 12 AWG	1
11	1018289-02	CORDSET, DC, 154 INCHES LONG WITH MALE 3-PIN PLUG, 12 AWG	1
11	1018289-03	CORDSET, DC, 250 INCHES LONG WITH MALE 3-PIN PLUG, 12 AWG	1
12	1012101	ASSEMBLY, FUSE (INCLUDES MOUNTING HARDWARE)	1
13	1018285-01	AMMETER (INCLUDES MOUNTING HARDWARE)	1

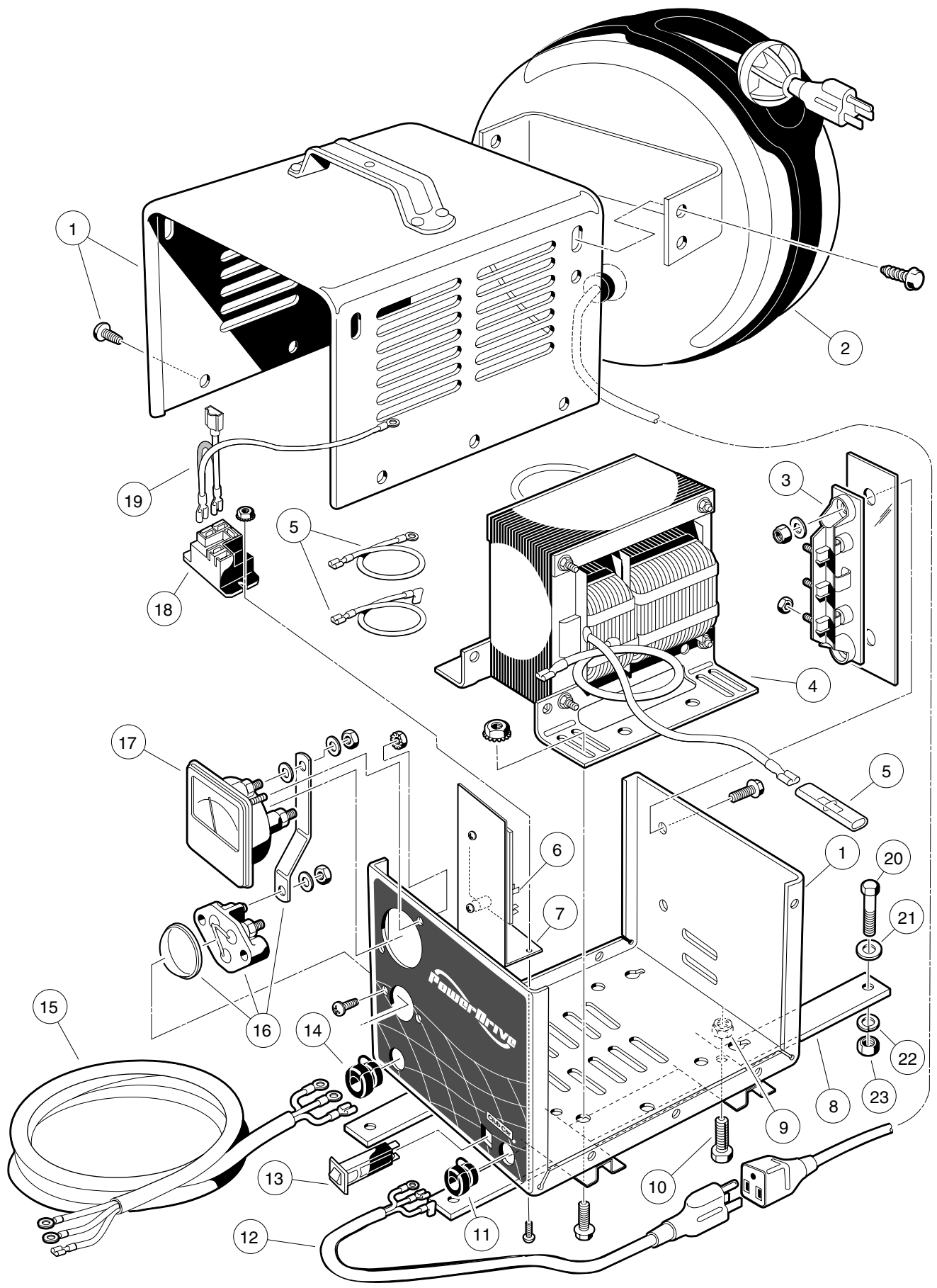


POWERDRIVE® CHARGER, EXPORT CARRYALL I

13

E

ITEM	PART NO.	DESCRIPTION	QTY
		1 2 3 4	
	1018315-03	CHARGER, BATTERY, POWERDRIVE, EXPORT WITH 4-POSITION SWITCH 100 - 200 - 220 - 240 VAC, 48 VDC 50/60 HZ (MODEL NUMBER 18780-11) (INCLUDES ITEMS 1 - 14) 103 IN. DC CORD WITH MALE 3-PIN PLUG, 12 AWG 74 IN. AC CORD WITH NO PLUG	1
	1018315-04	CHARGER, BATTERY, POWERDRIVE, EXPORT WITH 4-POSITION SWITCH 100 - 200 - 220 - 240 VAC, 48 VDC 50/60 HZ (MODEL NUMBER 18780-18) (INCLUDES ITEMS 1 - 14) 144 IN. DC CORD WITH MALE 3-PIN PLUG, 12 AWG 108 IN. AC CORD WITH NO PLUG	1
1	1018381-01	ASSEMBLY, CASE (INCLUDES FASTENERS)	1
2	1018382-01	ASSEMBLY, TRANSFORMER	1
3	1015914	ASSEMBLY, HEATSINK, WITH DIODES (INCLUDES MOUNTING HARDWARE)	1
4	1012101	ASSEMBLY, FUSE (INCLUDES MOUNTING HARDWARE)	1
5	1018285-01	AMMETER (INCLUDES MOUNTING HARDWARE)	1
6	1018383-01	RELAY, POWER, 48 VDC (INCLUDES MOUNTING HARDWARE)	1
7	1018384-01	BREAKER, CIRCUIT, 15 AMP	2
8	1018385-01	KIT, WIRE ASSEMBLY	1
9	1015917	BUSHING, STRAIN RELIEF, AC CORD	1
10	1012098	BUSHING, STRAIN RELIEF, DC CORD, 12 AWG	1
11	1018317-01	CORDSET, AC, 80 INCHES LONG, WITH LEADS (NO PLUG)	1
11	1018317-02	CORDSET, AC, 116 INCHES LONG, WITH LEADS (NO PLUG)	1
12	1018289-01	CORDSET, DC, 113 INCHES LONG WITH MALE 3-PIN PLUG, 12 AWG	1
12	1018289-02	CORDSET, DC, 154 INCHES LONG WITH MALE 3-PIN PLUG, 12 AWG	1
12	1018289-03	CORDSET, DC, 250 INCHES LONG WITH MALE 3-PIN PLUG, 12 AWG	1
13	1018386-01	SWITCH, 4-POSITION, SLIDE	1
14	1018387-01	BRACKET, POWER RELAY MOUNTING	1

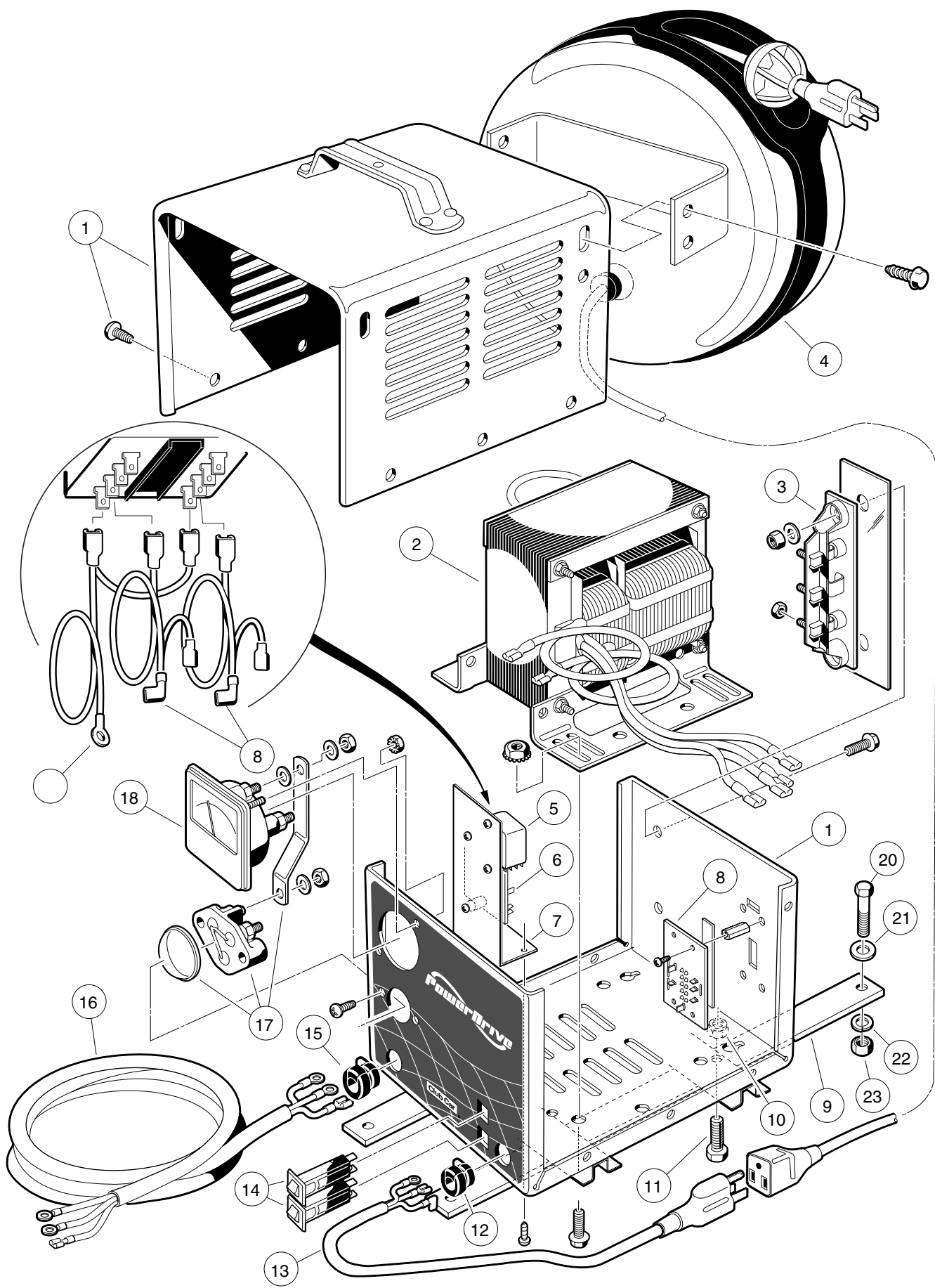


ON-BOARD POWERDRIVE® CHARGER, DOMESTIC CARRYALL VI

13

E

ITEM	PART NO.	DESCRIPTION	QTY
		1 2 3 4	
	1018143-01	ASSEMBLY, POWERDRIVE BATTERY CHARGER WITH REEL, ON-BOARD 120VAC 48VDC 60 HZ (INCLUDES ITEMS 1 - 19)	1
1	1018161-01	ASSEMBLY, CASE (INCLUDES FASTENERS)	1
2	1017187	ASSEMBLY, RETRACTABLE CORD REEL	1
3	1015914	ASSEMBLY, HEATSINK, WITH DIODES (INCLUDES MOUNTING HARDWARE)	1
4	1018197-01	ASSEMBLY, TRANSFORMER	1
5	1018417-01	KIT, WIRE ASSEMBLY	1
6	1018419-01	BOARD, CONTROL	1
7	1018387-01	BRACKET, RELAY AND RESET BOARD MOUNTING	1
8	1011707	BRACKET, MOUNTING	2
9	0008233	NUT, LOCK, 1/4 - 20	4
10	0007847	BOLT, HEX HEAD, 1/4 - 20 x 3/4	4
11	1015917	BUSHING, STRAIN RELIEF, AC CORD	1
12	1018290-01	CORDSET, AC, 24 INCHES WITH GROUNDED PLUG	1
13	1018287-01	BREAKER, CIRCUIT, 15 AMP	1
14	1012098	BUSHING, STRAIN RELIEF, DC CORD, 12 AWG	1
15	1018291-01	CORDSET, DC, 90 INCHES LONG WITH LEADS, 12 AWG	1
16	1012101	ASSEMBLY, FUSE (INCLUDES MOUNTING HARDWARE)	1
17	1018285-01	AMMETER (INCLUDES MOUNTING HARDWARE)	1
18	1018286-01	RELAY, POWER, 48 VDC	1
19	1019144-01	ASSEMBLY, VOLTAGE SUPPRESSOR (FOR BATTERY CHARGERS SERIAL NUMBER 42298 [ON CHARGER CASE] AND LATER)	1
20	0007479	BOLT, HEX HEAD, 1/4 - 20 x 1 1/4	4
21	1014306	WASHER, FLAT, 1/4	4
22	0000451	WASHER, LOCK, 1/4	4
23	0001028	NUT, HEX, 1/4 - 20	4



ON-BOARD POWERDRIVE® CHARGER, EXPORT CARRYALL VI

13

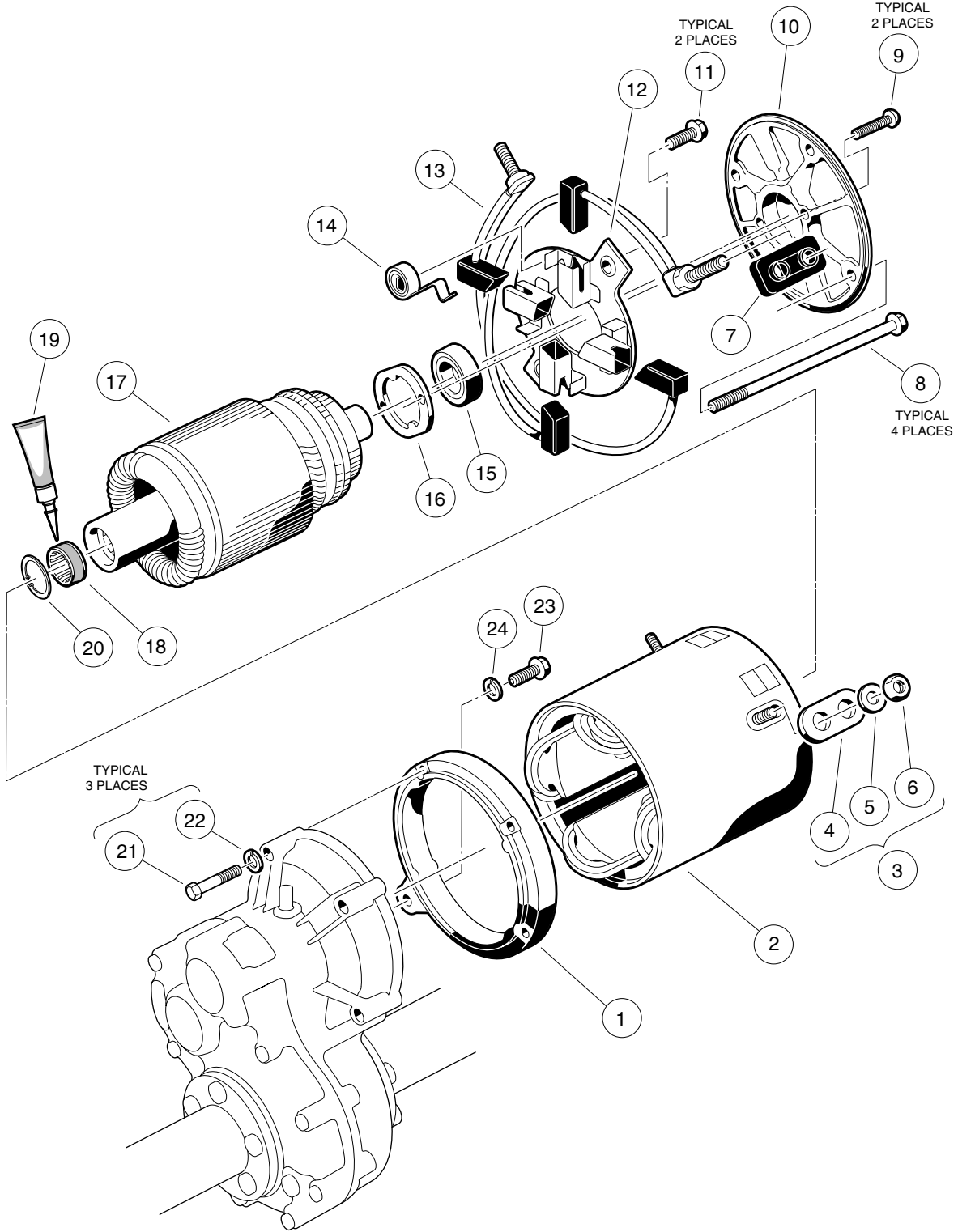
E

ITEM	PART NO.	DESCRIPTION	QTY
		1 2 3 4	
	1018143-02	ASSEMBLY, POWERDRIVE BATTERY CHARGER AND REEL, ON-BOARD WITH 4-POSITION SWITCH, 100 - 200 - 220 - 240 VAC, 48 VDC 50/60 HZ (INCLUDES ITEMS 1 - 19)	1
1	1018416-01	ASSEMBLY, CASE (INCLUDES FASTENERS)	1
2	1018382-01	ASSEMBLY, TRANSFORMER	1
3	1015914	ASSEMBLY, HEATSINK, WITH DIODES (INCLUDES MOUNTING HARDWARE)	1
4	1017187	ASSEMBLY, RETRACTABLE CORD REEL	1
5	1018383-01	RELAY, POWER (INCLUDES MOUNTING HARDWARE)	1
6	1018419-01	BOARD, CONTROL	1
7	1018387-01	BRACKET, MOUNTING, RELAY AND RESET BOARD	1
8	1018386-01	SWITCH, 4-POSITION, SLIDE	1
9	1011707	BRACKET, MOUNTING	2
10	0008233	NUT, LOCK, 1/4 - 20	4
11	0007847	BOLT, HEX HEAD, 1/4 - 20 x 3/4	4
12	1015917	BUSHING, STRAIN RELIEF, AC CORD	1
13	1018290-01	CORDSET, AC, 3 x 1.5MM x 24 INCHES LONG, WITH GROUNDED PLUG	1
14	1018384-01	BREAKER, CIRCUIT	2
15	1012098	BUSHING, STRAIN RELIEF, DC CORD, 12 AWG	1
16	1018291-01	CORDSET, DC, 90.5 INCHES LONG WITH LEADS, 12 AWG	1
17	1012101	ASSEMBLY, FUSE (INCLUDES MOUNTING HARDWARE)	1
18	1018285-01	AMMETER (INCLUDES MOUNTING HARDWARE)	1
19	1018418-01	KIT, WIRE ASSEMBLY	1
20	0007479	BOLT, HEX HEAD, 1/4 - 20 x 1 1/4	4
21	1014306	WASHER, FLAT, 1/4	4
22	0000451	WASHER, LOCK, 1/4	4
23	0001028	NUT, HEX, 1/4 - 20	4

ELECTRIC MOTOR

14

E



MOTOR, POWERDRIVE® VEHICLE

14

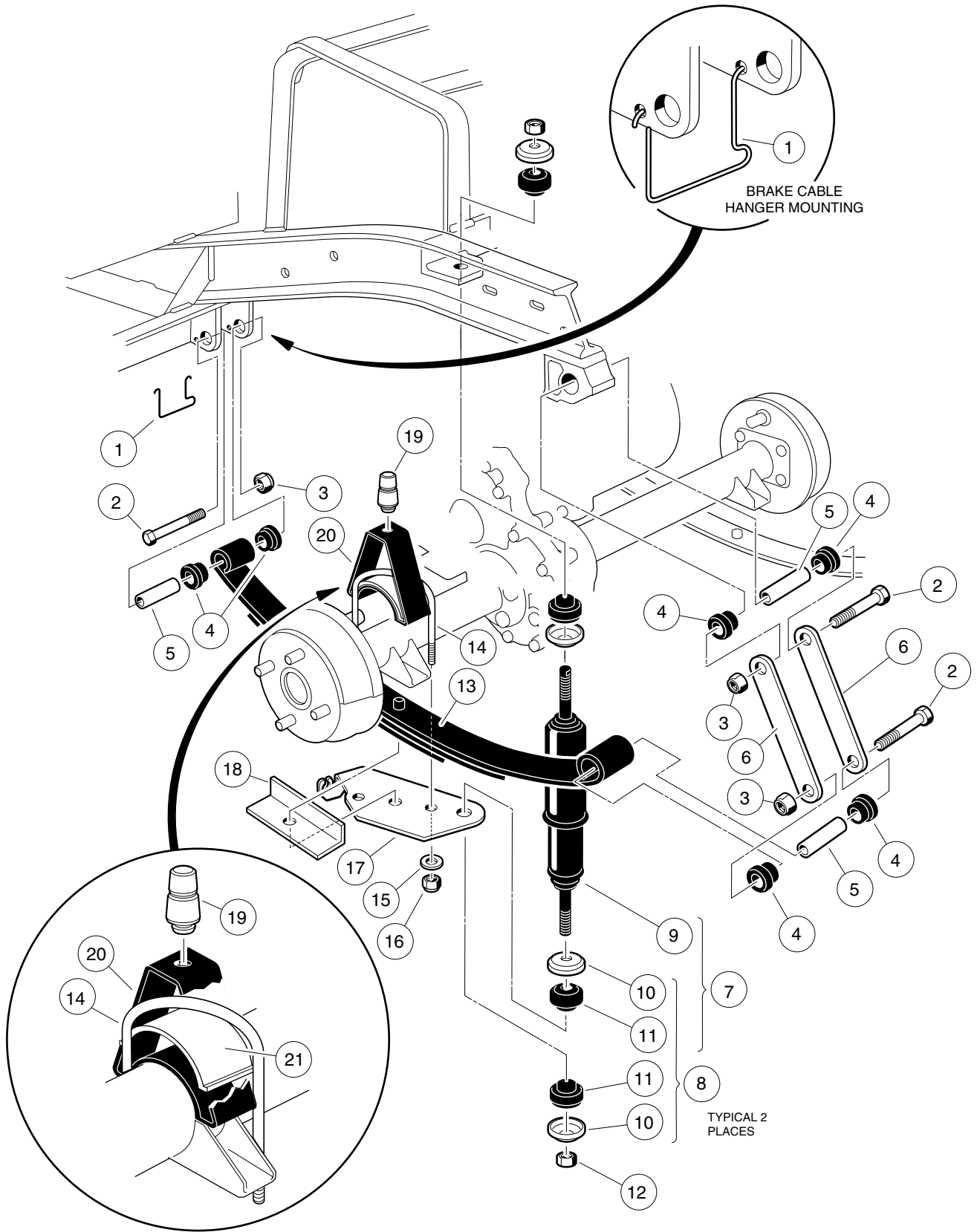
E

ITEM	PART NO.	DESCRIPTION	QTY
		1 2 3 4	
	1018133-01	ASSEMBLY, 48 VOLT MOTOR, 3.10 HP (INCLUDES ITEMS 1 - 20)	1
1	1017944	SHIELD, END	1
2	1017958	ASSEMBLY, STATOR SHELL AND WINDING	1
3	1017947	PACKAGE, HARDWARE (INCLUDES ITEMS 4 - 7)	1
4	N/A	BUSHING, INSULATOR	2
5	N/A	WASHER, FLAT, 5/16	4
6	N/A	NUT, LOCK, 5/16 - 18	4
7	N/A	BUSHING, INSULATOR	2
8	1017961	SCREW, CLAMP	4
9	1017953	SCREW, BEARING RETAINER	2
10	1017951	SHIELD, END	1
11	1017949	SCREW, BRUSH HOLDER	2
12	1017948	RIGGING, BRUSH	1
13	1017946	PACKAGE, BRUSH (2 PIECES)	1
14	1011411	PACKAGE, BRUSH SPRING (4 PIECES)	1
15	1011290	BEARING, BALL	1
16	1017950	RETAINER, BEARING	1
17	N/A	ARMATURE	1
18	1017891-01	RING, GUIDE	1
19	1018132-02	ADHESIVE, GUIDE RING, 3 GRAM TUBE	A/R
20	1018228-01	RING, INTERNAL RETAINING	1
21	1014201	BOLT, HEX HEAD, 1/4 - 20 x 2 1/4	3
22	0000451	WASHER, LOCK, 1/4	3
23	1010934	BOLT, HEX HEAD, 5/16 - 18 x 1	1
24	0007174	WASHER, LOCK, 5/16	1

REAR SUSPENSION ELECTRIC VEHICLE

15

E



TYPICAL EACH SIDE OF VEHICLE

REAR SUSPENSION - ELECTRIC VEHICLE

15

E

ITEM	PART NO.	DESCRIPTION	QTY
		1 2 3 4	
1	1013207	HANGER, BRAKE CABLE	2
2	0008755	SCREW, HEX HEAD CAP, 3/8 - 16 x 3 1/8	6
3	1010138	NUT, DIMPLED LOCK, 3/8 - 16	6
4	1015583	BUSHING, URETHANE	12
5	1012303	BUSHING, STEEL	6
6	0007569	PLATE, SPRING SHACKLE	4
7	1013164	KIT, SHOCK ABSORBER (INCLUDES ITEMS 9, 10, AND 11)	2
8	1011415	KIT, SHOCK ABSORBER CUSHION (INCLUDES 2 EACH OF ITEMS 10 AND 11)	4
9	1014236	ABSORBER, SHOCK	2
10	N/A	RETAINER, SHOCK ABSORBER CUSHION	8
11	N/A	CUSHION, SHOCK ABSORBER	8
12	1010145	NUT, HEX HEAD, 3/8 - 24	4
13	1014675	SPRING, REAR LEAF	2
14	1014902	BOLT, "U"	2
15	1014557	WASHER, FLAT, 7/16	4
16	1014555	NUT, NYLON LOCK, 7/16 - 14	4
17	1012182	MOUNT, SHOCK, LEFT HAND	1
17	1012181	MOUNT, SHOCK, RIGHT HAND	1
18	1014573	RETAINER, LEAF SPRING	2
19	1017235	BUMPER, SUSPENSION OVERLOAD	2
20	1014549-02	MOUNT, SUSPENSION OVERLOAD BUMPER	2
21	1014901	SPACER, SUSPENSION OVERLOAD BUMPER	2

SAFETY DECALS

16

G

E

VEHICLE LOADING DECAL

VEHICLE LOADING

- Vehicle rated capacity - 800 lbs. on level surface only. Weight to include passengers, cargo bed load, and gross trailer weight. See Owner's Manual.
- Maximum cargo load - 500 lbs. Weight to include cargo bed load and gross trailer weight.
- Maximum trailer hitch tongue weight - 150 lbs.
- No more than two people in each passenger seat.
- Cargo should be evenly spread over the floor of cargo bed as far forward as possible and secured.
- For vehicle stability, drive slowly and avoid stopping or backing down steep hills when fully loaded.
- Avoid top heavy loads. See Owner's Manual.
- When driving on uneven terrain, reduce speed and load.

CARRYALL I

VEHICLE LOADING

- Vehicle rated capacity - 1200 lbs. on level surface only. Weight to include passengers, cargo bed load, and gross trailer weight. See Owner's Manual.
- Maximum cargo load - 800 lbs. Weight to include cargo bed load and gross trailer weight.
- Maximum trailer hitch tongue weight - 150 lbs.
- No more than two people in each passenger seat.
- Cargo should be evenly spread over the floor of cargo bed as far forward as possible and secured.
- For vehicle stability, drive slowly and avoid stopping or backing down steep hills when fully loaded.
- Avoid top heavy loads. See Owner's Manual.
- When driving on uneven terrain, reduce speed and load.

CARRYALL II AND II PLUS

KEY SWITCH DECAL



CARRYALL I AND II



CARRYALL II PLUS

OPERATING INSTRUCTIONS DECAL

OPERATING INSTRUCTIONS

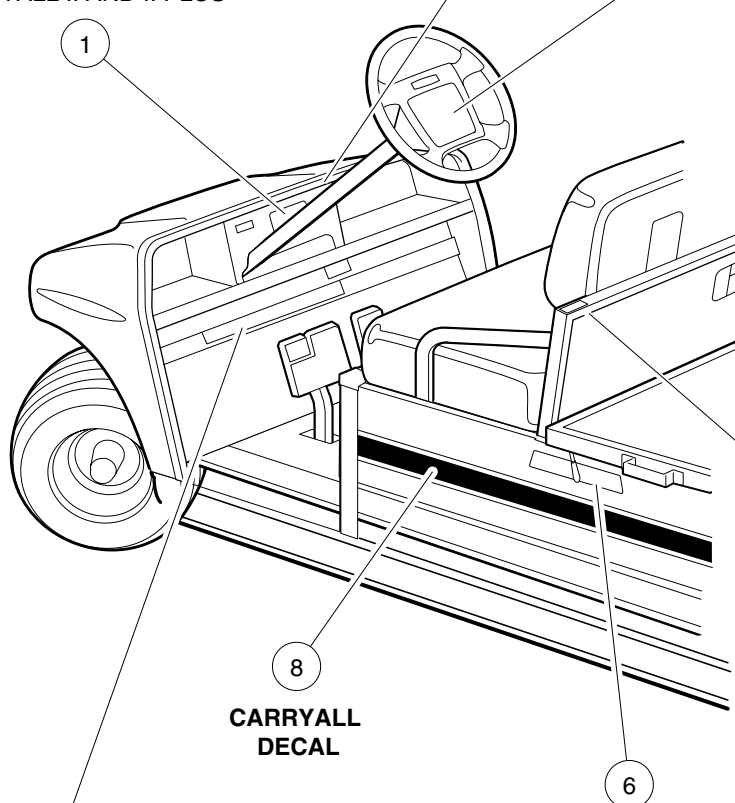
- Read owner's manual prior to operation.
- Start and accelerated controls. Be sure everyone is seated.
- Before driving, read safety warnings located above pedals.
- Shift with lever to "N" (Neutral position).
Depress brake and "N".
- Turn key to "ON" position and release.
- To start vehicle, turn key to "ON" position and release.
- To stop vehicle, depress accelerator pedal and push brake pedal.
- After stopping, bring the park brake up to lock.
- After key to "OFF" position, remove key and push down in enough on neutral position when not in use.

CARRYALL I AND II

OPERATING INSTRUCTIONS

- Read owner's manual prior to operation.
- Start and accelerated controls. Be sure everyone is seated.
- Before driving, read safety warnings located above pedals.
- Make sure wheels are turned in desired direction.
- Turn key to "ON" position and be sure nothing is in your path.
- Select direction by placing shift lever in desired position: F - Forward, N - Neutral, R - Reverse.
- Vehicle will start moving when accelerator pedal is depressed.
- Slowly depress accelerator pedal to increase speed. Park brake will release when accelerator pedal is depressed.
- To stop, release accelerator pedal and depress brake pedal.
- After stopping, firmly depress park brake until it locks.
- Place forward and reverse switch in neutral position.
- Turn key "OFF" and remove key when not in use.

CARRYALL II PLUS



TILT BED WARNING DECAL

PINCH WARNING DECAL

BED LATCH WARNING DECAL

WARNING

Failure to follow these instructions can cause severe injury or death.

- Read operating instructions before using vehicle.
- Never stand in front or behind vehicle.
- Vehicle should be driven only in specified areas by trained persons.
- Do not use on public roads.
- Only two persons per seat.
- Operate vehicle from driver's side only.
- Do not start vehicle until all people are seated.
- Remain seated and hold on in moving vehicle.
- Keep arms, legs, feet and body inside vehicle.
- Stop vehicle before changing direction.
- Buzzer will sound in reverse.
- Drive slowly in turns.
- Drive slowly straight up and down slopes.
- Set park brake before leaving vehicle.
- Remove key when vehicle is not in use.
- Place shift lever in neutral when vehicle is not in use.

SAFETY WARNING DECAL

SAFETY DECALS CARRYALL I, II AND II PLUS

16

G

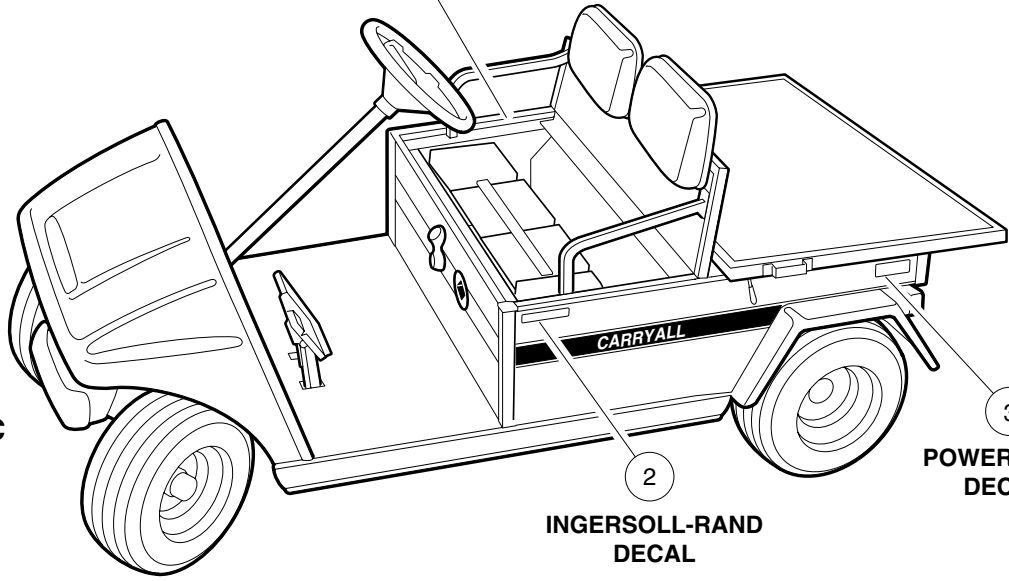
E

ITEM	PART NO.	DESCRIPTION	QTY GAS	QTY ELEC
		1 2 3 4		
1	1015884	DECAL, VEHICLE LOADING (CARRYALL I)	1	1
1	1015717	DECAL, VEHICLE LOADING (CARRYALL II AND II PLUS)	1	
2	1018251-01	DECAL, KEY SWITCH (CARRYALL I AND II)	1	1
2	1018251-02	DECAL, KEY SWITCH (CARRYALL II PLUS)	1	
3	1016216	DECAL, OPERATING INSTRUCTIONS (CARRYALL I AND II)	1	1
3	1016932	DECAL, OPERATING INSTRUCTIONS (CARRYALL II PLUS)	1	
4	1015539	DECAL, TILT BED WARNING	1	1
5	1016094	DECAL, PINCH WARNING	1	1
6	1015437	DECAL, BED LATCH WARNING	1	1
7	1014883	DECAL, SAFE OPERATION WARNING	1	1
8	1015397	DECAL, CARRYALL I (LEFT SIDE)	1	1
8	1015396	DECAL, CARRYALL I (RIGHT SIDE)	1	1
8	1015394	DECAL, CARRYALL II (LEFT SIDE)	1	1
8	1015395	DECAL, CARRYALL II (RIGHT SIDE)	1	1
8	1016086	DECAL, CARRYALL II PLUS (LEFT SIDE)	1	1
8	1016085	DECAL, CARRYALL II PLUS (RIGHT SIDE)	1	1

BATTERY DANGER DECAL



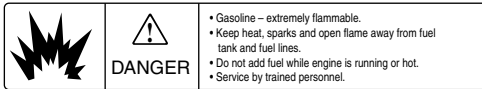
**ELECTRIC
VEHICLE**



**INGERSOLL-RAND
DECAL**

**POWERDRIVE
DECAL**

GASOLINE DANGER DECAL



MOVING PARTS DECAL



(ON FRAME BESIDE FENDER)

**HOT MANIFOLD AND
MUFFLER DECAL**

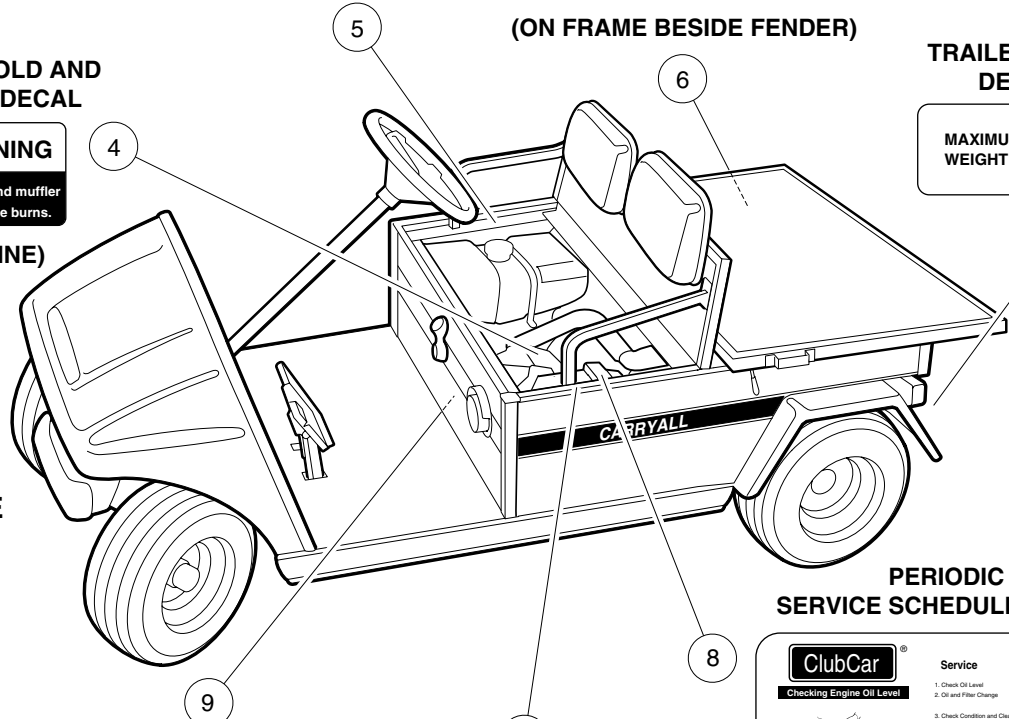


(ON ENGINE)

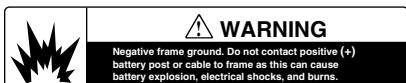
**TRAILER HITCH
DECAL**

**MAXIMUM TONGUE
WEIGHT - 150 LBS.**

**GASOLINE
VEHICLE**



FRAME GROUND WARNING DECAL



(ON FRAME)

BATTERY DANGER DECAL



**PERIODIC
SERVICE SCHEDULE DECAL**

ClubCar®	
Service	Regular Interval
Checking Engine Oil Level	
1. Check Oil Level	Monthly
2. Oil and Filter Change	First - 100 Hours Additional - Annually or 200 Hours
3. Check Condition and Clean Air Filter Element	One Year Under Normal Use Six Months Under Dusty Conditions
4. Change Air Filter	*Two Years or 200 Hours Monthly (See Manual)
5. Check Tire Pressure	*Two Years or 200 Hours
6. Replace Fuel Filters	*One Year or 150 Hours
7. Check / Fill Drive Unit	*One Year or 150 Hours
8. Check / Fill Transmission	*One Year or 150 Hours

WARNING
Governor is factory adjusted for 12-14 mph max. Do not tamper with adjustment. To do so: 1) will void the warranty; 2) may result in damage to the engine or components; 3) could result in severe personal injury.

SAE 30 above 32°F (0°C) or SAE 5 W20 below 32°F (0°C)
Classification SE, SF, SG or Higher
*Whichever comes first

(ON INTAKE BOX)

SAFETY DECALS CARRYALL I, II AND II PLUS

16

G

E

ITEM	PART NO.	DESCRIPTION	QTY GAS	QTY ELEC
		1 2 3 4		
1	1013677	DECAL, BATTERY DANGER/POISON	1	1
2	1019219-01	DECAL, INGERSOLL-RAND	2	2
3	1018304-02	DECAL, BLACK POWERDRIVE		2
4	1017257	DECAL, HOT MANIFOLD AND MUFFLER WARNING	1	
5	1015476	DECAL, GASOLINE DANGER	1	
6	1015475	DECAL, MOVING PARTS WARNING	1	
7	1011553	DECAL, TRAILER HITCH (CARRYALL II AND II PLUS ONLY)	1	
8	1016062	DECAL, PERIODIC SERVICE SCHEDULE	1	
9	1015474	DECAL, FRAME GROUND WARNING	1	

**VEHICLE LOADING
DECAL**

VEHICLE LOADING

- Vehicle rated capacity - 1500 lbs. on level surface only. Weight to include passengers, cargo bed load, and gross trailer weight. See Owner's Manual.
- Maximum cargo load - 1000 lbs. Weight to include cargo bed load and gross trailer weight.
- Maximum trailer hitch tongue weight - 150 lbs.
- No more than two people in each passenger seat.
- Cargo should be evenly spread over the floor of cargo bed as far forward as possible and secured.
- For vehicle stability, drive slowly and avoid stopping or backing down steep hills when fully loaded.
- Avoid top heavy loads. See Owner's Manual.
- When driving on uneven terrain, reduce speed and load.

**KEY SWITCH
DECAL**

OFF ON START

GASOLINE VEHICLE

OFF ON

ELECTRIC VEHICLE

**OPERATING
INSTRUCTIONS
DECAL**

OPERATING INSTRUCTIONS

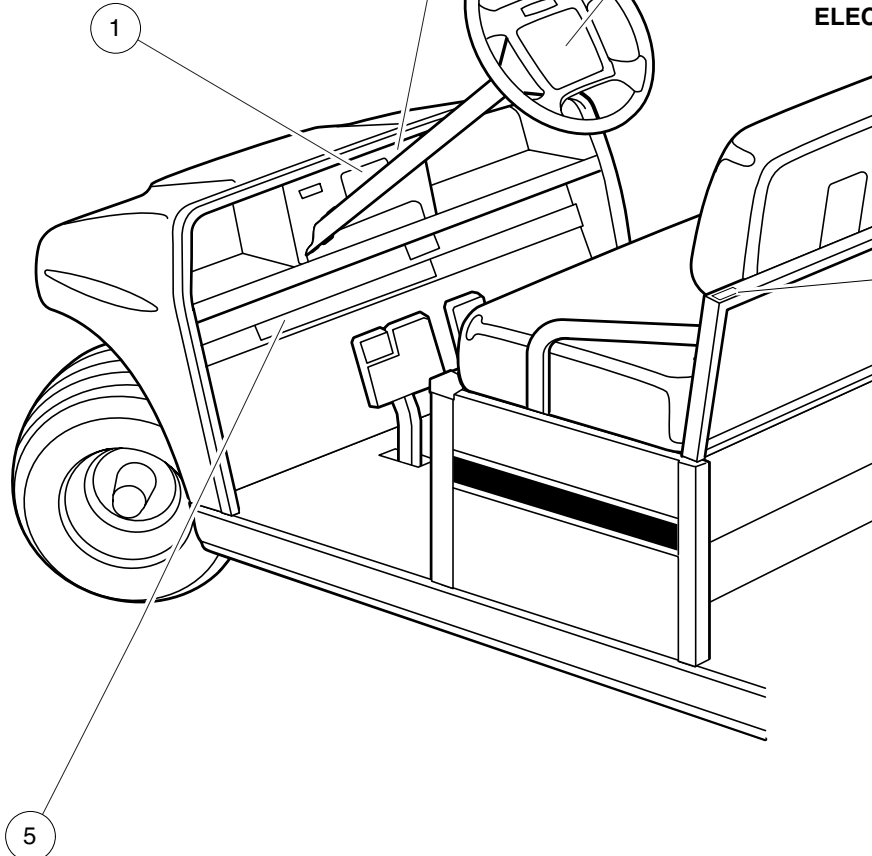
- Read owner's manual prior to operation.
- Safely and understand controls. Be sure everyone is seated.
- Before driving, read safety warnings located above pedals.
- Make sure wheels are turned in desired direction.
- Turn key to "ON" position and be sure nothing is in your path.
- Select direction by steering shift lever in desired position.
 - F - Forward N - Neutral R - Reverse
- Vehicle will start moving when accelerator pedal is depressed.
- Slowly depress accelerator pedal to increase speed. Park brake will release when accelerator pedal is depressed.
- To stop, release accelerator pedal and depress brake pedal.
- After stopping, fully depress park brake until it clicks.
- Place forward and reverse switch in neutral position.
- Turn key "OFF" and remove key when not in use.

GASOLINE VEHICLE

OPERATING INSTRUCTIONS

- Read owner's manual prior to operation.
- Safely and understand controls. Be sure everyone is seated.
- Before driving, read safety warnings located above pedals.
- Make sure wheels are turned in desired direction.
- Turn key to "ON" position and be sure nothing is in your path.
- Select direction by steering shift lever in desired position.
 - F - Forward N - Neutral R - Reverse
- Vehicle will start moving when accelerator pedal is depressed.
- Slowly depress accelerator pedal to increase speed. Park brake will release when accelerator pedal is depressed.
- To stop, release accelerator pedal and depress brake pedal.
- After stopping, fully depress park brake until it clicks.
- Place forward and reverse switch in neutral position.
- Turn key "OFF" and remove key when not in use.

ELECTRIC VEHICLE



**PINCH WARNING
DECAL**

<p>WARNING</p> <p>Failure to follow these instructions can cause severe injury or death.</p>	<ul style="list-style-type: none"> • Read operating instructions before using vehicle. • Never stand in front or behind vehicle. • Vehicle should be driven only in specified areas by trained persons. 	<ul style="list-style-type: none"> • Do not use on public roads. • Only two persons per seat. • Operate vehicle from driver's side only. • Do not start vehicle until all people are seated. 	<ul style="list-style-type: none"> • Remain seated and hold on in moving vehicle. • Keep arms, legs, feet and body inside vehicle. • Stop vehicle before changing direction. Buzzer will sound in reverse. • Drive slowly in turns. 	<ul style="list-style-type: none"> • Drive slowly straight up and down slopes. • Set park brake before leaving vehicle. • Remove key when vehicle is not in use. • Place shift lever in neutral when vehicle is not in use.
---	--	--	---	---

**SAFETY WARNING
DECAL**

SAFETY DECALS CARRYALL VI

16

G

E

ITEM	PART NO.	DESCRIPTION	QTY GAS	QTY ELEC
		1 2 3 4		
1	1016716	DECAL, VEHICLE LOADING	1	1
2	1018251-02	DECAL, KEY SWITCH (GASOLINE VEHICLE ONLY)	1	
2	1018251-01	DECAL, KEY SWITCH (ELECTRIC VEHICLE ONLY)		1
3	1016932	DECAL, OPERATING INSTRUCTIONS (GASOLINE VEHICLE ONLY)	1	
3	1016216	DECAL, OPERATING INSTRUCTIONS (ELECTRIC VEHICLE ONLY)		1
4	1016094	DECAL, PINCH WARNING	1	1
5	1014883	DECAL, SAFE OPERATION WARNING	1	1

SAFETY DECALS CARRYALL VI

16
G
E

ITEM	PART NO.	DESCRIPTION	QTY GAS	QTY ELEC
		1 2 3 4		
1	1019219-01	DECAL, INGERSOLL-RAND	2	2
2	1017078	DECAL, BED BOLT WARNING	1	1
3	1013677	DECAL, BATTERY DANGER/POISON	1	1
4	1015539	DECAL, BED LOAD WARNING	1	1
5	1018304-02	DECAL, BLACK POWERDRIVE		2
6	1016971-02	DECAL, CARRYALL VI (LEFT SIDE)	1	1
7	1016726-01	DECAL, CARRYALL VI (RIGHT SIDE)	1	1
8	1016757	DECAL, SIDE FRONT	4	4
9	1015476	DECAL, GASOLINE DANGER	1	
10	1017257	DECAL, HOT MANIFOLD WARNING	1	
11	1015475	DECAL, MOVING PARTS WARNING	1	
12	1015474	DECAL, FRAME GROUND WARNING	1	
13	1016062	DECAL, PERIODIC SERVICE SCHEDULE	1	

16

G

E

MAINTENANCE AND SERVICE TOOLS

17

G

E

DESCRIPTION	PART NUMBER
ACCELERATOR PEDAL ADJUSTMENT TOOL	1018710-01
ADAPTER PLUG ASSEMBLY	1018945-01
ADHESION PROMOTER - ARMORFLEX	1016985
ARMORFLEX REPAIR KIT	1017295
BATTERY DISCHARGE MACHINE, 36/48 VOLT	1018319-01
BATTERY TERMINAL PROTECTOR SPRAY	1014305
BATTERY THERMOMETER	1011767
BEARING AND OIL SEAL REMOVER ASSEMBLY	1016417
BEARING DRIVER SET	1016416
BEARING PULLER	1012811
BEARING PULLER WEDGE ATTACHMENT	1012812
CALIBRATION TEST MODULE	1018871-01
CAM INSTALLATION TOOL	1018084-01
CLUTCH TOOL KIT	1014510
CLUTCH ALIGNMENT TOOL	1014498
DRIVE CLUTCH PULLER	1014496
CLUTCH DRIVE HUB PULLER	1014497
DRIVEN CLUTCH CAM PULLER	1014508
DRIVEN CLUTCH PULLER PLUG	1014507
DRIVE CLUTCH HOLDER TOOL ASSEMBLY	1015524
PRESS WELDMENT	1018091-01
COMMUNICATION DISPLAY MODULE	1018318-01
COMPRESSION GAUGE	1016410-01
ADAPTER	1016410-02
CONTINUITY TESTER	1011273
DRY MOLY LUBRICANT	1012151
FLY WHEEL PULLER KIT	1016627
GEAR YOKE	1016418
GUIDE RING ADHESIVE, 3 GRAM TUBE	1018132-02
HYDROMETER	1011478
INTERNAL RETAINING RING PLIERS	1013593
PIN EXTRACTOR TOOL (FOR BLACK 3-WIRE CONNECTOR)	1018855-01
PISTON RING COMPRESSOR KIT	1016414
PISTON RING PLIERS	1016415
RETAINING RING PLIERS - 45° EXTERNAL	1012549
RETAINING RING PLIERS - 90° INTERNAL	1012560
SAFETY FIRST CARD (50 PER PACK)	1018231-01
SEAL PULLER	1012809
STARTER/GENERATOR BELT TENSION TOOL	1016867
STEERING COLUMN BEARING PRESS TOOL	1014264
STEERING COLUMN RETAINING RING TOOL	1014259
TACHOMETER	1016112
TOUCH-UP PAINT, LACQUER - GRAY	1017097-04
TRANSMISSION TOOL KIT	1014115

TOOL LIST CONTINUED ON NEXT PAGE.

MAINTENANCE AND SERVICE TOOLS

DESCRIPTION

PART NUMBER

TRANSAXLE PINION SEAL TOOL	1014161
TRANSAXLE AXLE SEAL TOOL	1014162
TUNE-UP KIT (FE 290)	1016110-02
TUNE-UP KIT (FE 350)	1016110-03
VALVE CLEARANCE ADJUSTER SCREW HOLDER	1016413
VALVE GUIDE REAMER	1016412-01
ARBOR	1016412-02
VALVE SEAT CUTTER HOLDER BAR	1016551
VALVE SEAT CUTTER HOLDER	1016552
VALVE SEAT CUTTER 45° (32MM DIAMETER)	1016553
VALVE SEAT CUTTER 45° (35MM DIAMETER)	1016554
VALVE SEAT CUTTER 32° (35MM DIAMETER)	1016555
VALVE SPRING COMPRESSOR	1016411-01
VOLT OHM METER	1011480

PLEASE REFER TO THE MAINTENANCE AND SERVICE MANUAL FOR PROPER TOOL APPLICATION.

CLUB CAR

INGERSOLL-RAND

Transportation and Utility Vehicles

Club Car Inc.
P.O. Box 204658
Augusta, GA 30917-4658