



**1997**  
**ILLUSTRATED**  
**PARTS LIST**



**DS GOLF CARS**  
**GASOLINE/ELECTRIC**

MANUAL NUMBER 1019285-01  
EDITION CODE 0796F0708A



# USING THE ILLUSTRATED PARTS LIST

## WARNING

- THIS MANUAL IS TO BE USED ONLY FOR IDENTIFICATION AND ORDERING OF SERVICE PARTS. BE SURE TO READ AND USE THE MAINTENANCE AND SERVICE MANUAL BEFORE ATTEMPTING ANY VEHICLE REPAIRS.

This manual covers all 1997 Club Car® DS Tranquility®, V-Glide 36 volt, DS PowerDrive® System 48™ and DS PowerDrive Plus™ vehicles.

The manual is divided into 15 sections. Sections 1 through 5 pertain to both gasoline and electric vehicles, sections 6 through 11 pertain to gasoline vehicles only, sections 12 through 15 pertain to electric vehicles only. Note that there are two or three flags on the outside edge of each page. The first flag will contain the section number of which that page is a part. The other flag (or flags) will contain either the letter G or E, signifying that the page pertains to either the gasoline or electric vehicle only, or to both the gasoline and electric vehicles.

Use the Table of Contents to find the sections and pages that contain the parts and assemblies you seek. The Table of Contents lists section titles and numbers, and under them, the individual page titles and numbers to be found in that section. Unless a page title specifies a particular vehicle(s), the page applies to all DS vehicles.

You will also find vehicle models and serial numbers specified within the listings for individual page titles. These model and serial number specifications identify the vehicles on which parts usage as described on a particular page either began or ended. Have the serial number(s) of your vehicle(s) at hand and read the listings carefully when using the table of contents.

Typically, there is a two-page spread for each individual page title in the Table of Contents (however, some titles required several spreads). On the left-hand page is an illustration showing the parts in their relative positions; the parts are each tagged with an item number in a balloon. The right-hand page is the parts list page, and gives the page title at the top, then the item numbers (corresponding to the numbers on the illustration), part descriptions, and quantity of parts used. Some item numbers have more than one part number because several models and/or configurations of a component are represented together on one spread.

Note that a part description may be indented. This indentation corresponds to a parts assembly level indicated by the numbers 1, 2, 3, and 4 at the top left corner of the parts description area of the parts list page. A part that is indented to level 2 is a component of the level 1 part (assembly) that it is listed under. A level 3 part is a component of the level 2 part that it is listed under, and a level 4 part is a component of the level 3 part preceding it. In each case, the part quantity given for a level 2, 3, or 4 part is the quantity used per next higher level assembly of which it is a component. A part that is not indented is a level 1 part. This means that the quantity given is the quantity used per the portion of the vehicle illustrated on that particular spread.



P. O. Box 204658  
Augusta, Georgia 30917-4658 USA  
Telephone 706-863-3000  
Service Parts Fax 706-855-7413

© 1996, CLUB CAR INC.  
All rights reserved.  
This manual effective August 1, 1996  
Manual print code: 0796E00000



# CONTENTS

---

## **MAINTENANCE AND SERVICE TOOLS** SECTION **1**

THIS SECTION OF THIS MANUAL CONTAINS A LIST OF MAINTENANCE AND SERVICE TOOLS AVAILABLE FROM CLUB CAR.

---

## **BODY AND TRIM** SECTION **2**

BODY TRIM .....	2-3
FRONT BODY .....	2-5
REAR BODY AND FENDER - GASOLINE VEHICLE .....	2-7
REAR BODY AND FENDER - ELECTRIC VEHICLE .....	2-9
SEAT BOTTOM AND ARMREST .....	2-11
SEAT BACK AND BAG HOOP .....	2-13
WHEELS AND TIRES .....	2-15

---

## **SAFETY DECALS** SECTION **3**

SAFETY DECALS - GASOLINE VEHICLE .....	3-3
SAFETY DECALS - ELECTRIC VEHICLE .....	3-5

---

## **BRAKES, PEDAL, AND CABLE ASSEMBLIES** SECTION **4**

BRAKE ASSEMBLY .....	4-3
BRAKE PEDAL AND CABLE ASSEMBLY .....	4-5
ACCELERATOR PEDAL ASSEMBLY - GASOLINE AND V-GLIDE 36 VOLT VEHICLES .....	4-7
ACCELERATOR PEDAL ASSEMBLY - POWERDRIVE SYSTEM 48 AND POWERDRIVE PLUS .....	4-9

---

## **STEERING, FRONT AND REAR SUSPENSION** SECTION **5**

STEERING COLUMN .....	5-3
STEERING GEAR ASSEMBLY .....	5-5
FRONT SUSPENSION, UPPER .....	5-7
FRONT SUSPENSION, LOWER .....	5-9
REAR SUSPENSION .....	5-11

---

## **ELECTRICAL SYSTEM - GASOLINE VEHICLE** SECTION **6**

WIRING - GASOLINE VEHICLE .....	6-3
FORWARD AND REVERSE SHIFTER ASSEMBLY - GASOLINE VEHICLE .....	6-5
ELECTRICAL COMPONENT BOX - GASOLINE VEHICLE .....	6-7
ELECTRICAL COMPONENTS - GASOLINE VEHICLE .....	6-9
STARTER/GENERATOR ASSEMBLY .....	6-11
STARTER/GENERATOR MOUNTING .....	6-13
BATTERY MOUNTING - GASOLINE VEHICLE .....	6-15

---

## **ENGINE** SECTION **7**

FE 290 ENGINE .....	7-3 - 7-13
ENGINE MOUNTING .....	7-15

---

## **FUEL, INTAKE, AND GOVERNOR SYSTEMS** SECTION **8**

FUEL SYSTEM .....	8-3
CARBURETOR ASSEMBLY .....	8-5
CARBURETOR INSTALLATION .....	8-7
GOVERNOR AND ACCELERATOR CABLES .....	8-9
EXPANSION CHAMBER, CHOKE, AND FILTER .....	8-11

# CONTENTS

<b>EXHAUST SYSTEM</b>	<b>SECTION</b>	<b>9</b>
EXHAUST SYSTEM .....	9-3	
<b>TORQUE CONVERTER</b>	<b>SECTION</b>	<b>10</b>
DRIVE CLUTCH .....	10-3	
DRIVEN CLUTCH .....	10-5	
<b>UNITIZED TRANSAXLE - GASOLINE VEHICLE</b>	<b>SECTION</b>	<b>11</b>
UNITIZED TRANSAXLE - GASOLINE VEHICLE .....	11-3 - 11-5	
<b>ELECTRICAL SYSTEM - ELECTRIC VEHICLE</b>	<b>SECTION</b>	<b>12</b>
ELECTRICAL COMPONENTS, FRONT BODY - ELECTRIC VEHICLE .....	12-3	
WIRING - V-GLIDE 36 VOLT VEHICLE .....	12-5	
FORWARD AND REVERSE SWITCH - V-GLIDE 36 VOLT VEHICLE .....	12-7	
WIPER SWITCH - V-GLIDE 36 VOLT VEHICLE .....	12-9	
RESISTOR AND BOARD ASSEMBLY - V-GLIDE 36 VOLT VEHICLE .....	12-11	
ELECTRICAL COMPONENTS, REAR BODY - V-GLIDE 36 VOLT VEHICLE .....	12-13	
WIRING - POWERDRIVE SYSTEM 48 VEHICLE .....	12-15	
FORWARD AND REVERSE SWITCH - POWERDRIVE SYSTEM 48 VEHICLE .....	12-17	
ELECTRICAL COMPONENTS, REAR BODY - POWERDRIVE SYSTEM 48 VEHICLE .....	12-19 - 12-21	
ON-BOARD COMPUTER - POWERDRIVE SYSTEM 48 VEHICLE .....	12-23	
CONTINUOUSLY VARIABLE POTENTIOMETER - POWERDRIVE SYSTEM 48 AND POWERDRIVE PLUS .....	12-25	
WIRING - POWERDRIVE PLUS VEHICLE .....	12-27	
ON-BOARD COMPUTER - POWERDRIVE PLUS VEHICLE .....	12-29	
FORWARD AND REVERSE SWITCH - POWERDRIVE PLUS VEHICLE .....	12-31	
ENERGY DISPLACEMENT MODULE - POWERDRIVE PLUS VEHICLE .....	12-33	
ELECTRICAL COMPONENTS, REAR BODY - POWERDRIVE PLUS VEHICLE .....	12-35 - 12-37	
<b>BATTERY CHARGER</b>	<b>SECTION</b>	<b>13</b>
ACCU-POWER® CHARGER, DOMESTIC - V-GLIDE 36 VOLT VEHICLE .....	13-3	
ACCU-POWER CHARGER, EXPORT - V-GLIDE 36 VOLT VEHICLE .....	13-5	
ACCU-POWER CHARGER, EXPORT, 100 VOLT - V-GLIDE 36 VOLT VEHICLE .....	13-7	
POWERDRIVE CHARGER, DOMESTIC - POWERDRIVE SYSTEM 48 AND POWERDRIVE PLUS .....	13-9	
POWERDRIVE CHARGER, EXPORT - POWERDRIVE SYSTEM 48 AND POWERDRIVE PLUS .....	13-11	
<b>ELECTRIC MOTOR</b>	<b>SECTION</b>	<b>14</b>
MOTOR - V-GLIDE 36 VOLT VEHICLE .....	14-3	
MOTOR - POWERDRIVE SYSTEM 48 VEHICLE .....	14-5	
MOTOR - POWERDRIVE PLUS VEHICLE .....	14-7	
<b>TRANSAXLE - ELECTRIC VEHICLE</b>	<b>SECTION</b>	<b>15</b>
TRANSAXLE - ELECTRIC VEHICLE .....	15-3	

# MAINTENANCE AND SERVICE TOOLS

---

1

G

E

# MAINTENANCE AND SERVICE TOOLS

## DESCRIPTION

## PART NUMBER

ACCELERATOR PEDAL ADJUSTMENT TOOL .....	1018710-01
ADAPTER PLUG ASSEMBLY .....	1018945-01
ADHESION PROMOTER - ARMORFLEX® .....	1016985
ADHESIVE, GUIDE RING, 3 GRAM TUBE .....	1018132-02
ARMORFLEX REPAIR KIT .....	1017295
BATTERY DISCHARGE MACHINE 36/48 VOLT .....	1018319-01
BATTERY TERMINAL PROTECTOR SPRAY .....	1014305
BATTERY THERMOMETER .....	1011767
BEARING AND OIL SEAL REMOVER ASSEMBLY .....	1016417
BEARING DRIVER SET .....	1016416
BEARING PULLER .....	1012811
BEARING PULLER WEDGE ATTACHMENT .....	1012812
CALIBRATION TEST MODULE .....	1018871-01
CAM INSTALLATION TOOL .....	1018084-01
CLUTCH TOOL KIT .....	1014510
CLUTCH ALIGNMENT TOOL (USED ON VEHICLES PRIOR TO SERIAL NUMBER 9701) .....	1014498
DRIVE CLUTCH PULLER .....	1014496
CLUTCH DRIVE HUB PULLER .....	1014497
DRIVEN CLUTCH CAM PULLER .....	1014508
DRIVEN CLUTCH PULLER PLUG .....	1014507
DRIVEN CLUTCH HOLDER TOOL ASSEMBLY .....	1015524
PRESS WELDMENT .....	1018091-01
COMMUNICATION DISPLAY MODULE .....	1018318-01
COMPRESSION GAUGE .....	1016410-01
ADAPTER .....	1016410-02
CONTINUITY TESTER .....	1011273
DRY MOLY LUBRICANT .....	1012151
FLY WHEEL PULLER KIT .....	1016627
GEAR YOKE .....	1016418
HYDROMETER .....	1011478
INTERNAL RETAINING RING PLIERS .....	1013593
LIQUID GASKET (TRANSAXLE CASE) .....	1019287-01
PISTON RING COMPRESSOR KIT .....	1016414
PISTON RING PLIERS .....	1016415
RETAINING RING PLIERS - 45° EXTERNAL .....	1012549
RETAINING RING PLIERS - 90° INTERNAL .....	1012560
SAFETY FIRST CARD (50 PER PACK) .....	1018231-01
SEAL PULLER .....	1012809
STARTER/GENERATOR BELT TENSION TOOL .....	1016867
STEERING COLUMN BEARING PRESS TOOL .....	1014264
STEERING COLUMN RETAINING RING TOOL .....	1014259
TACHOMETER .....	1016112



# MAINTENANCE AND SERVICE TOOLS

1

G

E

DESCRIPTION	PART NUMBER
TOUCH-UP PAINT, LACQUER - BEIGE .....	1017097-01
TOUCH-UP PAINT, LACQUER - WHITE .....	1017097-02
TOUCH-UP PAINT, LACQUER - GRAY .....	1017097-04
TOUCH-UP PAINT, LACQUER - RED .....	1017097-06
TOUCH-UP PAINT, LACQUER - DARK BLUE .....	1017097-08
TOUCH-UP PAINT, LACQUER - DARK GREEN .....	1017097-09
TRANSMISSION TOOL KIT .....	1014115
TRANSAXLE PINION SEAL TOOL .....	1014161
TRANSAXLE AXLE SEAL TOOL .....	1014162
TUNE-UP KIT (FE 290) .....	1016110-02
VALVE CLEARANCE ADJUSTER SCREW HOLDER .....	1016413
VALVE GUIDE REAMER .....	1016412-01
ARBOR .....	1016412-02
VALVE SEAT CUTTER HOLDER BAR .....	1016551
VALVE SEAT CUTTER HOLDER .....	1016552
VALVE SEAT CUTTER 45° (32MM DIAMETER) .....	1016553
VALVE SEAT CUTTER 45° (35MM DIAMETER) .....	1016554
VALVE SEAT CUTTER 32° (35MM DIAMETER) .....	1016555
VALVE SPRING COMPRESSOR .....	1016411-01
VOLT OHM METER .....	1011480

PLEASE REFER TO THE MAINTENANCE AND SERVICE MANUAL FOR PROPER TOOL APPLICATION.



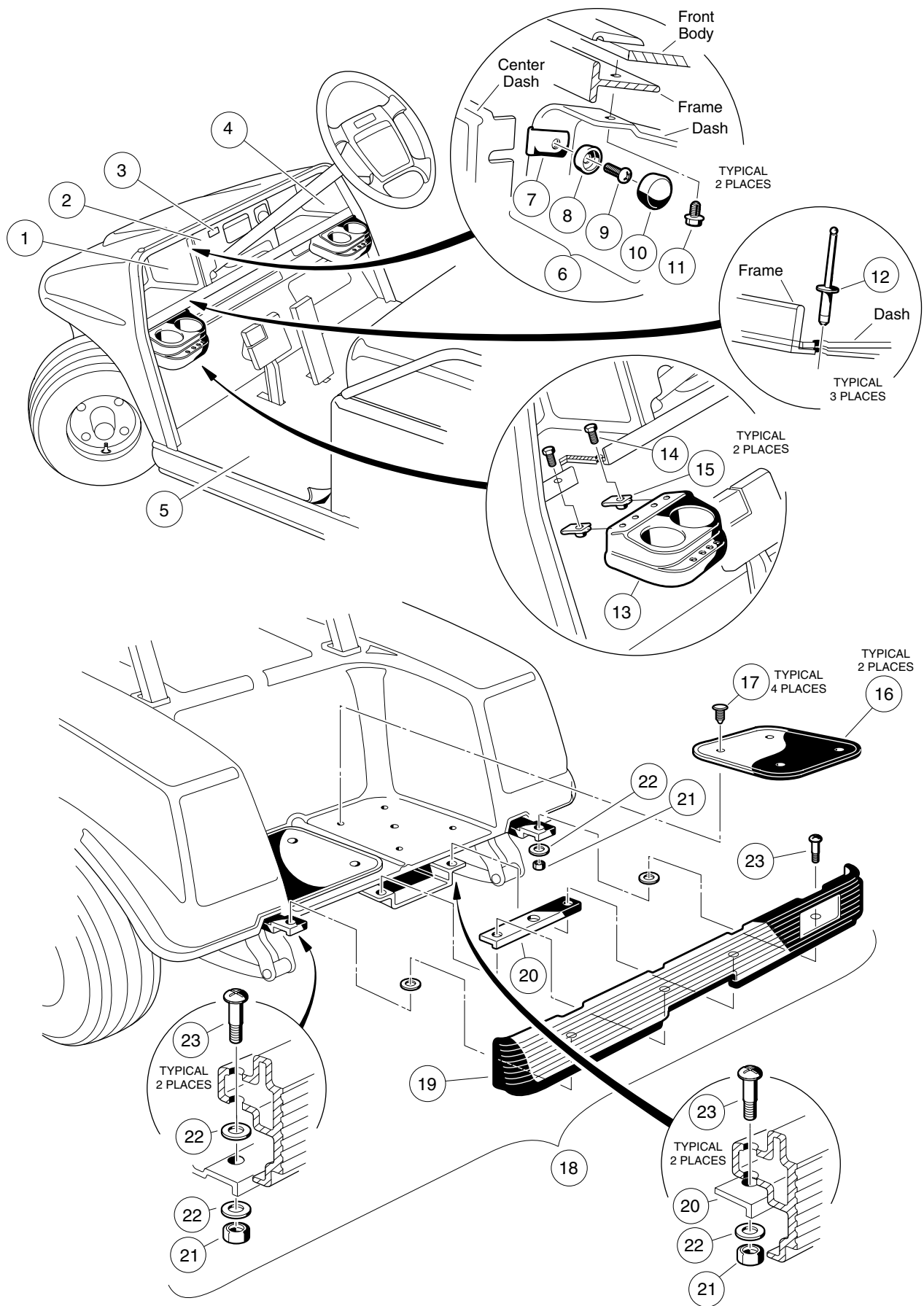
# BODY AND TRIM

---

2

G

E



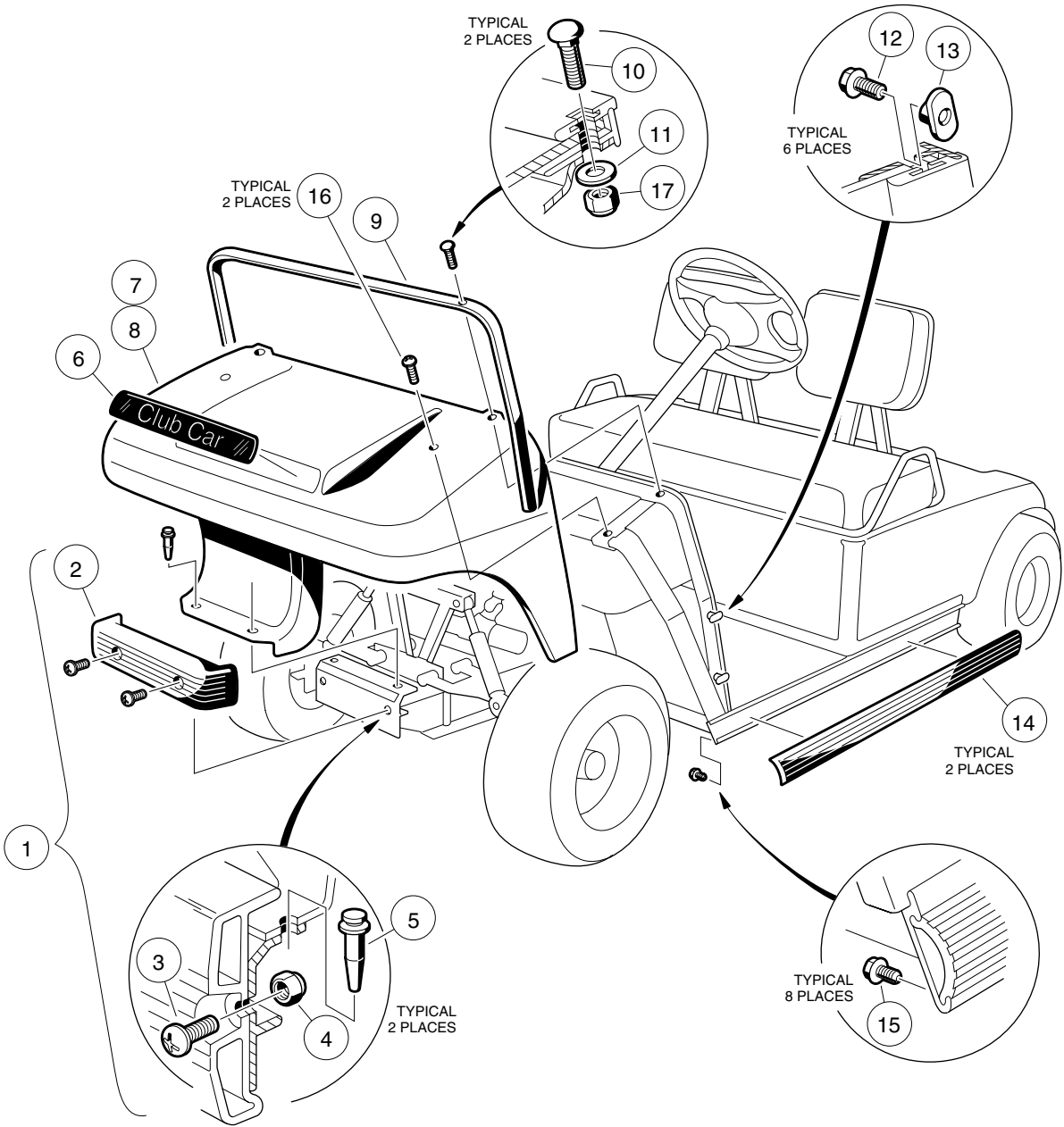
# BODY TRIM

2

G

E

ITEM	PART NO.	DESCRIPTION	QTY GAS	QTY ELEC
		1 2 3 4		
1	1013344	COMPONENT, LEFT DASH, BLACK .....	1	1
2	1016604-04	PANEL, CENTER DASH, BLACK .....	1	1
3	1018026-01	PLUG, HOLE (V-GLIDE 36 VOLT VEHICLE ONLY) .....		1
4	1013343	COMPONENT, RIGHT DASH, BLACK .....	1	1
5	1015032	MAT, FLOOR .....	1	1
6	1014645	KIT, SNAP WASHER, BLACK (INCLUDES ITEMS 7 - 10) .....	2	2
7	N/A	NUT, SPEED .....	1	1
8	N/A	WASHER, #10 .....	1	1
9	N/A	SCREW, #10 SHEET METAL .....	1	1
10	N/A	COVER, SCREW HEAD .....	1	1
11	1011017	SCREW, FLANGE LOCK .....	2	2
12	0007973	RIVET, ALUMINUM POP, 3/16 .....	3	3
13	1017083-01	KIT, DRINK HOLDER (INCLUDES ITEMS 14 AND 15) .....	2	2
14	0007847	BOLT, HEX HEAD, 1/4 - 20 x 3/4 .....	2	2
15	1016952	NUT, "U", 1/4 - 20 .....	2	2
16	1014392	MAT, BAG REST .....	2	2
17	1010434	FASTENER, PLASTIC BARREL .....	8	8
18	1017079	KIT, REAR BUMPER (INCLUDES ITEMS 19 - 23) .....	1	1
19	1016379	BUMPER, REAR .....	1	1
20	1016875	PLATE, MOUNTING, LONG .....	1	1
21	0007473	NUT, NYLON LOCK, 5/16 - 18 .....	4	4
22	1011697	WASHER, SPECIAL, 5/16 .....	6	6
23	1016876	BOLT, PHILLIPS TRUSS HEAD SHOULDER, 3/8 - 18 x 2 .....	4	4



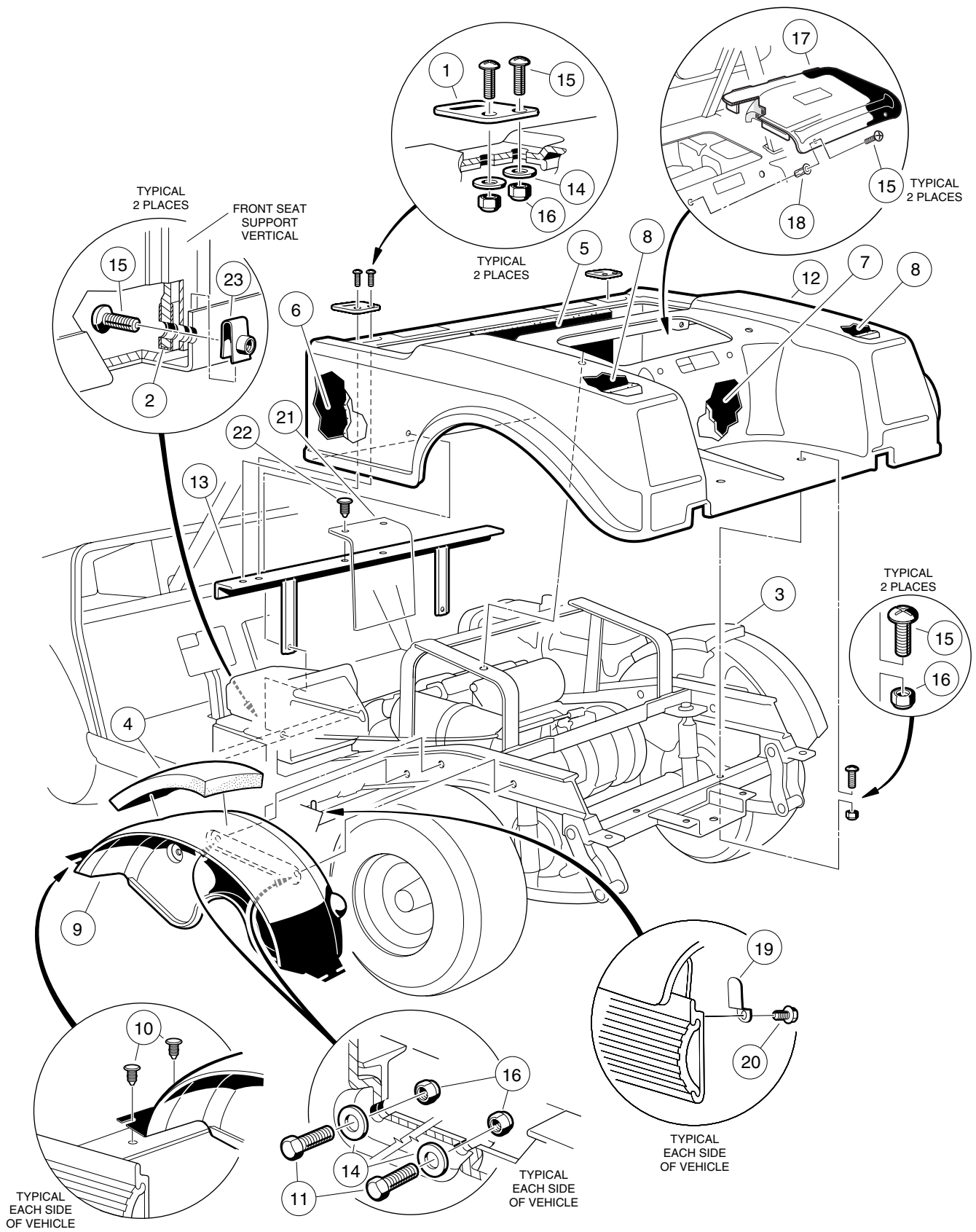
# FRONT BODY

2

G

E

ITEM	PART NO.	DESCRIPTION	QTY GAS	QTY ELEC
		1 2 3 4		
1	1017080	KIT, FRONT BUMPER (INCLUDES ITEMS 2 - 5) .....	1	1
2	1016868	BUMPER, FRONT .....	1	1
3	0007251	SCREW, PHILLIPS TRUSS HEAD, 5/16 - 18 x 1 .....	2	2
4	0007473	NUT, NYLON LOCK, 5/16 - 18 .....	2	2
5	1016967	RIVET, PUSH TYPE BLIND .....	2	2
6	1014198	NAMEPLATE - GOLD .....	1	1
7	1016925-01	BODY, FRONT - BEIGE .....	1	1
7	1016925-02	BODY, FRONT - WHITE .....	1	1
7	1016925-04	BODY, FRONT - GRAY .....	1	1
7	1016925-06	BODY, FRONT - RED .....	1	1
7	1016925-09	BODY, FRONT - DARK BLUE .....	1	1
7	1016925-10	BODY, FRONT - DARK GREEN .....	1	1
8	1016939-01	BODY, FRONT WITH HEADLIGHT OPENING - BEIGE .....	1	1
8	1016939-02	BODY, FRONT WITH HEADLIGHT OPENING - WHITE .....	1	1
8	1016939-04	BODY, FRONT WITH HEADLIGHT OPENING - GRAY .....	1	1
8	1016939-06	BODY, FRONT WITH HEADLIGHT OPENING - RED .....	1	1
8	1016939-08	BODY, FRONT WITH HEADLIGHT OPENING - DARK BLUE .....	1	1
8	1016939-09	BODY, FRONT WITH HEADLIGHT OPENING - DARK GREEN .....	1	1
9	1011014	TRIM, FRONT BODY .....	1	1
10	1010435	BOLT, CARRIAGE, 5/16 - 18 x 1 .....	2	2
11	0001241	WASHER, FLAT, 5/16 .....	2	2
12	1011017	SCREW, FLANGE LOCK .....	6	6
13	1011394	NUT, SLAB BASE "T" (PACKAGE OF 4) .....	1	1
14	1013983	BUMPER, SIDE GUARD TRIM .....	2	2
15	1012047	SCREW, SELF-TAPPING, #8 - 32 x 3/8 .....	8	8
16	0007251	SCREW, PHILLIPS TRUSS HEAD, 5/16 - 18 x 1 .....	2	2
17	0007473	NUT, NYLON LOCK, 5/16 - 18 .....	2	2





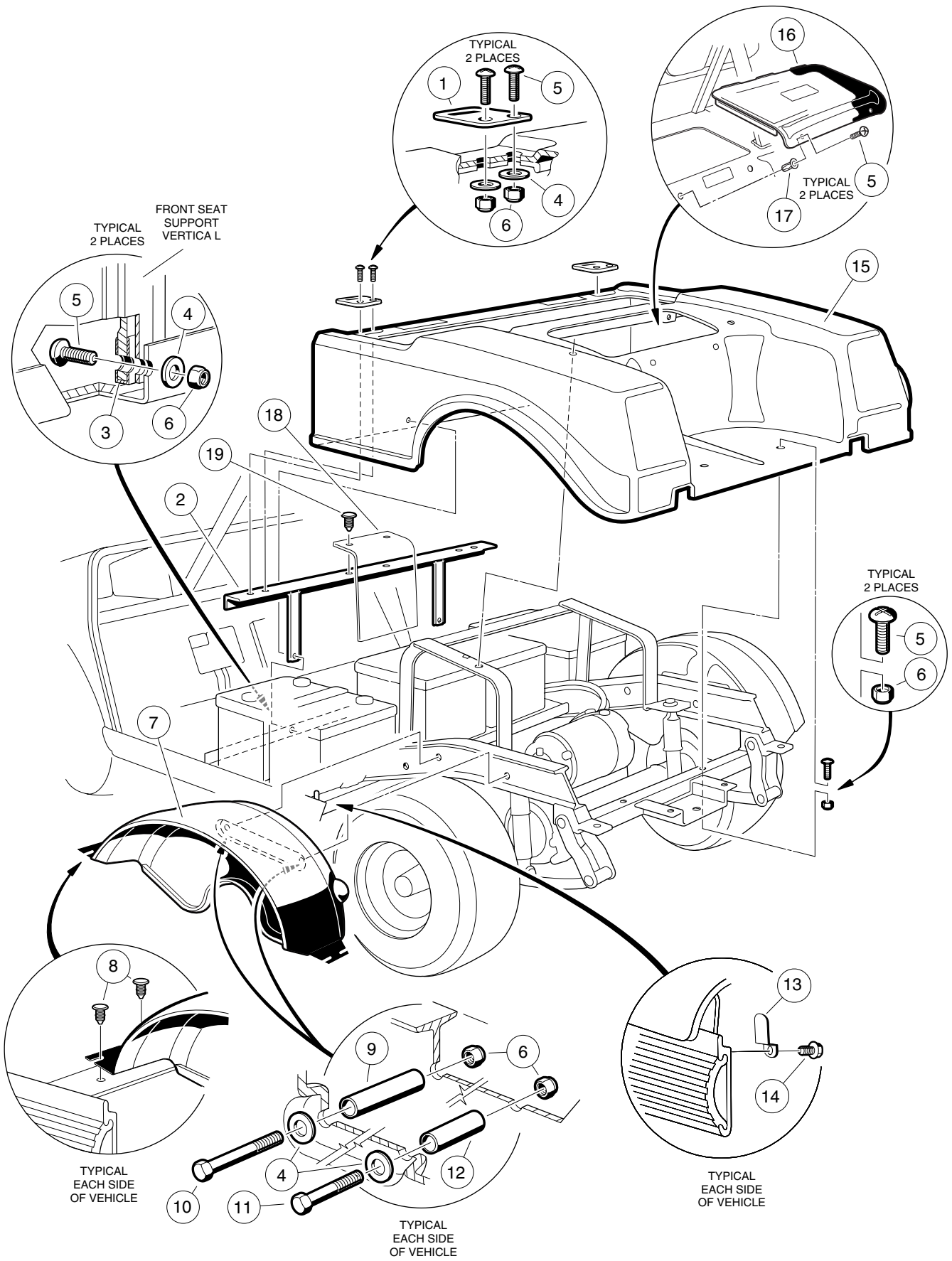
# REAR BODY AND FENDER - GASOLINE VEHICLE

2

G

E

ITEM	PART NO.	DESCRIPTION	QTY GAS	QTY ELEC
		1 2 3 4		
1	1012412	PLATE, BODY HINGE .....	2	
2	1019041-01	PLATE, BODY KICK .....	1	
3	1015422	INSULATION, SOUND, RIGHT SIDE FENDER - SHORT .....	1	
4	1015421	INSULATION, SOUND, LEFT SIDE FENDER - LONG .....	1	
5	1016963	INSULATION, SOUND, FRONT .....	1	
6	1017113	INSULATION, SOUND, LEFT SIDE BODY .....	1	
7	1015419	INSULATION, SOUND, BAGWELL AREA .....	1	
8	1015420	INSULATION, SOUND, BODY LEFT / RIGHT FENDER .....	2	
9	1017936	FENDER, INNER .....	2	
10	1010434	BARREL, PLASTIC .....	4	
11	0000304	SCREW, HEX HEAD CAP, 1/4 - 20 x 1 .....	4	
12	1016926-01	BODY - BEIGE .....	1	
12	1016926-02	BODY - WHITE .....	1	
12	1016926-04	BODY - GRAY .....	1	
12	1016926-06	BODY - RED .....	1	
12	1016926-09	BODY - DARK BLUE .....	1	
12	1016926-10	BODY - DARK GREEN .....	1	
12	1016962-08	BODY WITH TAILLIGHT OPENING - BEIGE .....	1	
12	1016962-09	BODY WITH TAILLIGHT OPENING - WHITE .....	1	
12	1016962-11	BODY WITH TAILLIGHT OPENING - GRAY .....	1	
12	1016962-13	BODY WITH TAILLIGHT OPENING - RED .....	1	
12	1016962-15	BODY WITH TAILLIGHT OPENING - DARK BLUE .....	1	
12	1016962-16	BODY WITH TAILLIGHT OPENING - DARK GREEN .....	1	
13	1017141	SUPPORT, FRONT BODY .....	1	
14	0000332	WASHER, FLAT, 1/4 .....	8	
15	0008251	SCREW, PHILLIPS HEAD, 1/4 - 20 x 1 .....	10	
16	0008233	NUT, NYLON LOCK, 1/4 - 20 .....	10	
17	1015829-02	ASSEMBLY, ACCESS DOOR (BLACK) .....	1	
17	1015829-01	ASSEMBLY, ACCESS DOOR (BEIGE) .....	1	
18	1015525	NUT, BLIND, 1/4 - 20 .....	2	
19	1017748	CLIP, BODY KEEPER .....	2	
20	1012047	SCREW, SELF-TAPPING, #8 - 32 x 3/8 .....	2	
21	1018962-01	KIT, FORWARD AND REVERSE SWITCH COVER (INCLUDES 2 OF ITEM 22) ....	1	
22	1010434	FASTENER, PLASTIC BARREL .....	2	
23	1016952	NUT, "U", 1/4 - 20 .....	2	



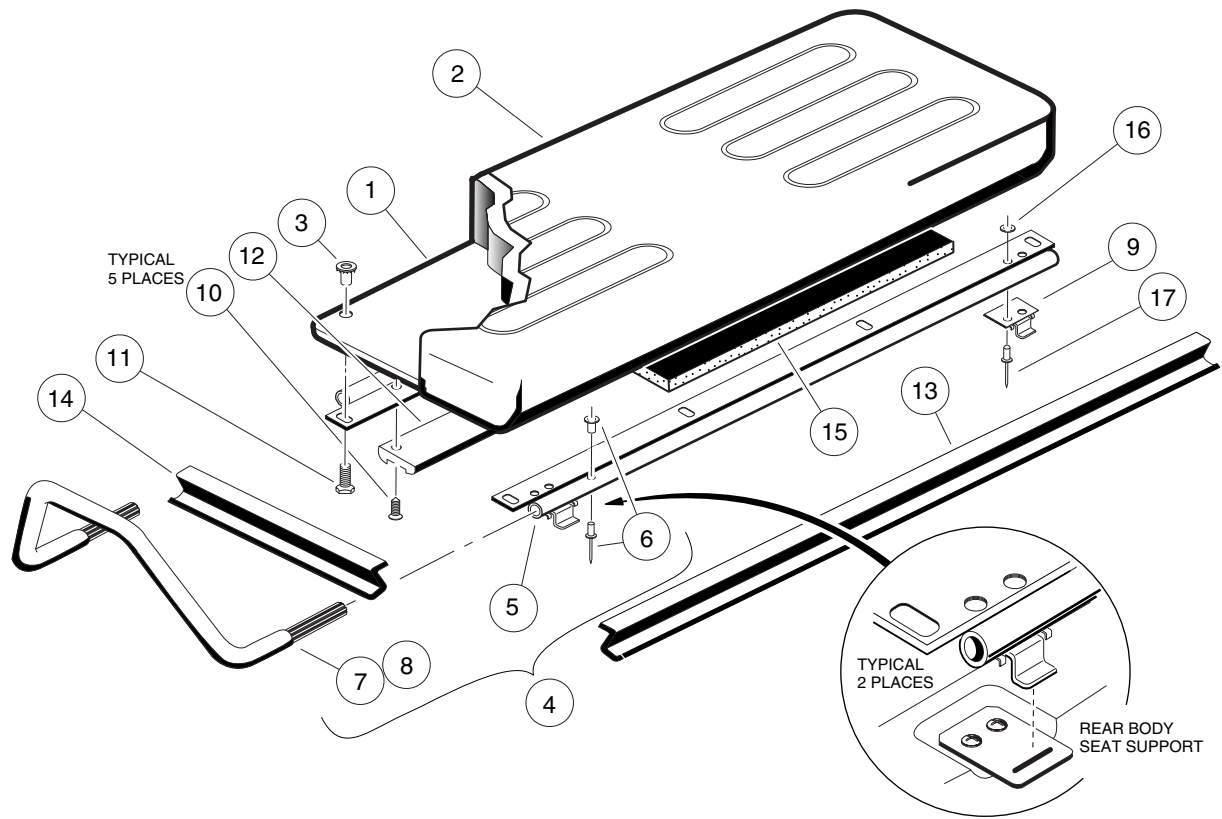
# REAR BODY AND FENDER - ELECTRIC VEHICLE

2

G

E

ITEM	PART NO.	DESCRIPTION	QTY GAS	QTY ELEC
		1 2 3 4		
1	1012412	PLATE, BODY HINGE .....		2
2	1017141	SUPPORT, FRONT BODY .....		1
3	1019041-01	PLATE, BODY KICK .....		1
4	0000332	WASHER, FLAT, 1/4 .....		10
5	0008251	SCREW, PHILLIPS HEAD, 1/4 - 20 x 1 .....		10
6	0008233	NUT, NYLON LOCK, 1/4 - 20 .....		12
7	1017936	FENDER, INNER .....		2
8	1010434	FASTENER, PLASTIC BARREL .....		4
9	1017814	SPACER, 1 7/8 .....		2
10	1012159	BOLT, HEX HEAD, 1/4 - 20 x 2 3/4 .....		2
11	0007479	BOLT, HEX HEAD, 1/4 - 20 x 1 1/4 .....		2
12	1017815	SPACER, 1/2 .....		2
13	1017748	CLIP, BODY KEEPER .....		2
14	1012047	SCREW, SELF-TAPPING, #8 - 32 .....		2
15	1016933-01	BODY - BEIGE .....		1
15	1016933-02	BODY - WHITE .....		1
15	1016933-04	BODY - GRAY .....		1
15	1016933-06	BODY - RED .....		1
15	1016933-09	BODY - DARK BLUE .....		1
15	1016933-10	BODY - DARK GREEN .....		1
15	1016962-01	BODY WITH TAILLIGHT OPENING - BEIGE .....		1
15	1016962-02	BODY WITH TAILLIGHT OPENING - WHITE .....		1
15	1016962-04	BODY WITH TAILLIGHT OPENING - GRAY .....		1
15	1016962-06	BODY WITH TAILLIGHT OPENING - RED .....		1
15	1016962-17	BODY WITH TAILLIGHT OPENING - DARK BLUE .....		1
15	1016962-18	BODY WITH TAILLIGHT OPENING - DARK GREEN .....		1
16	1013032	DOOR, ACCESS (BLACK) .....		1
16	1013140	DOOR, ACCESS (BEIGE) .....		1
17	1015525	NUT, BLIND, 1/4 - 20 .....		2
18	1018962-01	KIT, FORWARD AND REVERSE SWITCH COVER (INCLUDES 2 OF ITEM 19) (POWERDRIVE AND POWERDRIVE PLUS VEHICLES) .....		1
19	1010434	FASTENER, PLASTIC BARREL .....		2



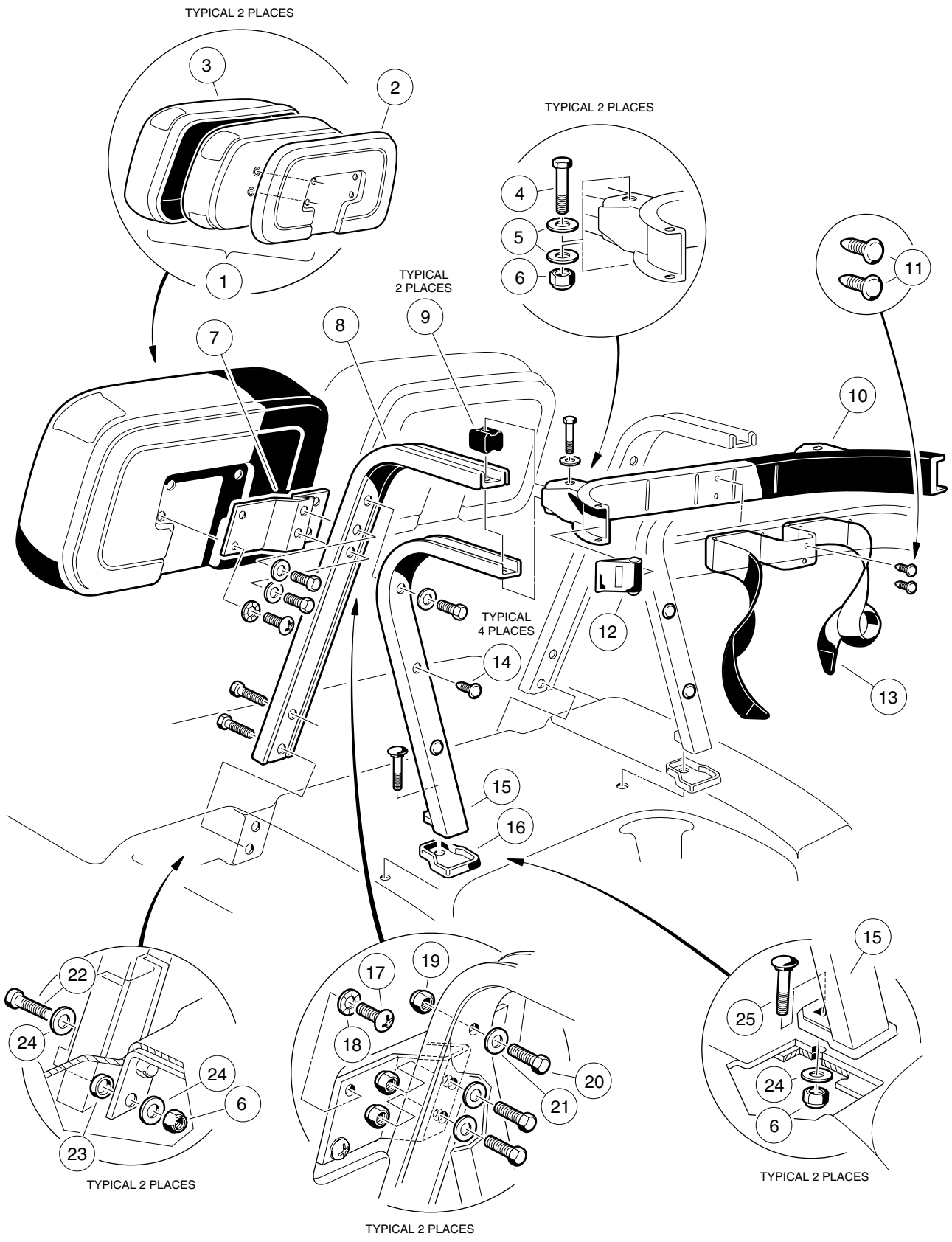
# SEAT BOTTOM AND ARMREST

**2**

**G**

**E**

ITEM	PART NO.	DESCRIPTION	QTY GAS	QTY ELEC
		1 2 3 4		
1	1015648-04	ASSEMBLY, SEAT BOTTOM - BUFF (INCLUDES ITEMS 2 AND 3) .....	1	1
1	1015648-05	ASSEMBLY, SEAT BOTTOM - WHITE (INCLUDES ITEMS 2 AND 3) .....	1	1
1	1015648-07	ASSEMBLY, SEAT BOTTOM - GRAY (INCLUDES ITEMS 2 AND 3) .....	1	1
1	1015648-08	ASSEMBLY, SEAT BOTTOM - BLACK (INCLUDES ITEMS 2 AND 3) .....	1	1
2	1015627-01	COVER, VINYL SEAT BOTTOM - BUFF .....	1	1
2	1015627-02	COVER, VINYL SEAT BOTTOM - WHITE .....	1	1
2	1015627-08	COVER, VINYL SEAT BOTTOM - BLACK .....	1	1
2	1015627-09	COVER, VINYL SEAT BOTTOM - GRAY .....	1	1
3	1010543	INSERT, WOOD .....	8	8
4	1015670	ASSEMBLY, ARMREST, SEAT BOTTOM (INCLUDES ITEMS 5 - 8) .....	1	1
5	1015625	BRACKET, SEAT SUPPORT .....	2	2
6	1012327	RIVET, MATING, 3/16 .....	4	4
7	1011786	ASSEMBLY, ARMREST, LEFT .....	1	1
8	1011780	ASSEMBLY, ARMREST, RIGHT .....	1	1
9	1011652	PLATE, SEAT HINGE, STAINLESS STEEL .....	2	2
10	1017384	SCREW, WASHER HEAD TAP, #12 .....	5	5
11	0000304	SCREW, HEX HEAD CAP, 1/4 - 20 x 1 .....	8	8
12	1012597	BUMPER, SEAT .....	1	1
13	1012657	GASKET, SEAT, LONG (GASOLINE VEHICLE ONLY) .....	1	
14	1012656	GASKET, SEAT, SHORT (GASOLINE VEHICLE ONLY) .....	2	
15	1015417	INSULATION, SOUND (GASOLINE VEHICLE ONLY) .....	1	
16	1018817-01	WASHER, FLAT, STAINLESS STEEL, #8 .....	4	4
17	1018809-01	RIVET, POP, STAINLESS STEEL, 3/16 .....	4	4



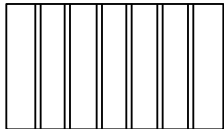
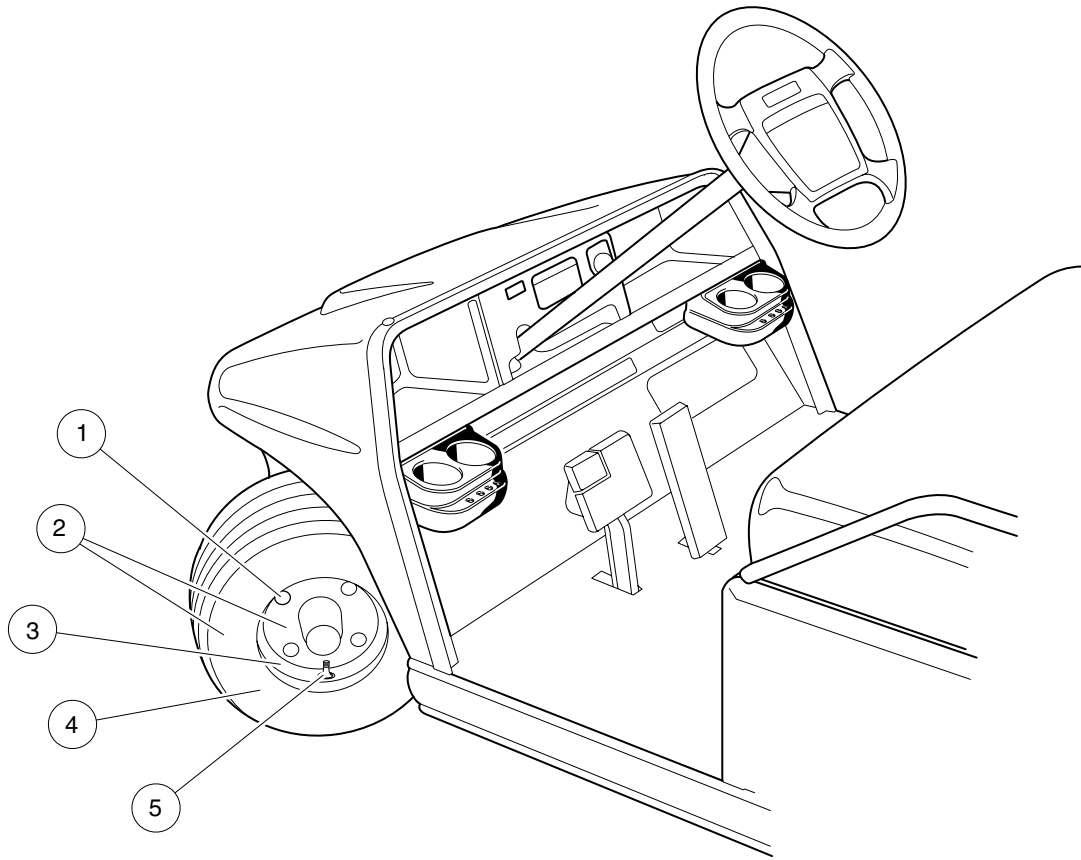
# SEAT BACK AND BAG HOOP

**2**

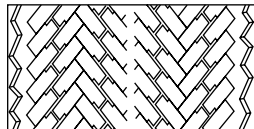
**G**

**E**

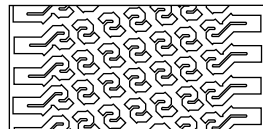
ITEM	PART NO.	DESCRIPTION	QTY GAS	QTY ELEC
		1 2 3 4		
1	1015651-02	ASSEMBLY, SEAT BACK - WHITE (INCLUDES ITEMS 2 AND 3) .....	2	2
1	1015651-05	ASSEMBLY, SEAT BACK - BUFF (INCLUDES ITEMS 2 AND 3) .....	2	2
1	1015651-07	ASSEMBLY, SEAT BACK - GRAY (INCLUDES ITEMS 2 AND 3) .....	2	2
1	1015651-08	ASSEMBLY, SEAT BACK - BLACK (INCLUDES ITEMS 2 AND 3) .....	2	2
2	1013335	CAP, SEAT BACK - BLACK .....	2	2
3	1015626-01	COVER, VINYL, SEAT BACK - BUFF .....	2	2
3	1015626-02	COVER, VINYL, SEAT BACK - WHITE .....	2	2
3	1015626-04	COVER, VINYL, SEAT BACK - BLACK .....	2	2
3	1015626-05	COVER, VINYL, SEAT BACK - GRAY .....	2	2
4	0008935	SCREW, CAP HEX HEAD, 5/16 - 18 x 2 1/4 .....	2	2
5	1015075	WASHER, FLAT, 5/16 .....	4	4
6	0007473	NUT, NYLON LOCK, 5/16 - 18 .....	8	8
7	1017409	MOUNT, SEAT BACK .....	2	2
8	1011708	SUPPORT, SEAT BACK, MAIN .....	2	2
9	1013884	SPACER, BAG HOOP .....	2	2
10	1013935	ASSEMBLY, BAG HOOP (INCLUDES ITEMS 11 - 13) .....	1	1
11	1010434	FASTENER, PLASTIC BARREL .....	2	2
12	1013754	BUCKLE, BAG STRAP .....	2	2
13	1010413	ASSEMBLY, BAG STRAP, LONG .....	1	1
14	1017234	FASTENER, PLASTIC BARREL - GRAY .....	4	4
15	1011710	ASSEMBLY, KNEE BRACE WELDMENT .....	2	2
16	1011706	PAD, MOUNTING, SEAT BACK SUPPORT .....	2	2
17	0008248	SCREW, PHILLIPS TRUSS HEAD, 1/4 - 20 x 3/4 .....	8	8
18	0008304	WASHER, INTERNAL TOOTH LOCK, 1/4 .....	8	8
19	0008233	NUT, NYLON LOCK, 1/4 - 20 .....	6	6
20	0007847	SCREW, HEX HEAD, 1/4 - 20 x 3/4 .....	6	6
21	0000332	WASHER, FLAT, 1/4 .....	8	8
22	0001218	SCREW, HEX HEAD CAP, 5/16 - 18 x 1 1/4 .....	4	4
23	1017774	SPACER, BODY .....	4	4
24	0001241	WASHER, FLAT, 5/16 .....	6	6
25	0007818	BOLT, CARRIAGE, 5/16 - 18 x 1 1/2 .....	2	2



RIB TERRA



POWER RIB



SOFTRAC



# WHEELS AND TIRES

2

G

E

ITEM	PART NO.	DESCRIPTION	QTY GAS	QTY ELEC
		1 2 3 4		
1	1010984	NUT, LUG .....	16	16
2	1015705-01	ASSEMBLY, BEIGE WHEEL AND TIRE, RIB TERRA (18 x 8.5 - 8) .....	4	4
2	1015705-02	ASSEMBLY, BEIGE WHEEL AND TIRE, POWER RIB (18 x 8.5 - 8) .....	4	4
2	1015705-04	ASSEMBLY, BEIGE WHEEL AND TIRE, WHITE WALL POWER RIB (18 x 8.5 - 8) .....	4	4
2	1015705-07	ASSEMBLY, BEIGE WHEEL AND TIRE, SOFTRAC, 6 PLY (18 x 8.5 - 8) .....	4	4
2	1016514-01	ASSEMBLY, WHITE WHEEL AND TIRE, RIB TERRA (18 x 8.5 - 8) .....	4	4
2	1016514-02	ASSEMBLY, WHITE WHEEL AND TIRE, POWER RIB (18 x 8.5 - 8) .....	4	4
2	1016514-04	ASSEMBLY, WHITE WHEEL AND TIRE, WHITE WALL POWER RIB (18 x 8.5 - 8) .....	4	4
2	1016514-07	ASSEMBLY, WHITE WHEEL AND TIRE, SOFTRAC, 6 PLY (18 x 8.5 - 8) .....	4	4
3	1015707	WHEEL RIM, BEIGE .....	4	4
3	1014771	WHEEL RIM, WHITE .....	4	4
4	0007271	TIRE, UNMOUNTED, RIB TERRA (18 x 8.5 - 8) .....	4	4
4	1015672	TIRE, UNMOUNTED, POWER RIB (18 x 8.5 - 8) .....	4	4
4	1017693	TIRE, UNMOUNTED, SOFTRAC, 6 PLY (18 x 8.5 - 8) .....	4	4
5	0007310	STEM, VALVE .....	4	4



# SAFETY DECALS

---

3

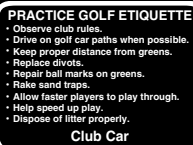
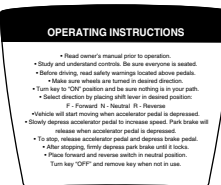
G

E

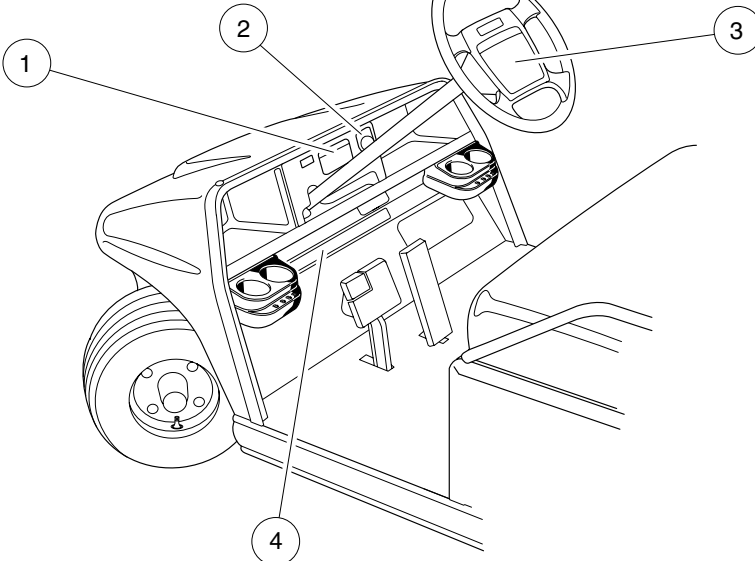
**KEY SWITCH  
DECAL**



**OPERATING  
INSTRUCTIONS  
DECAL**

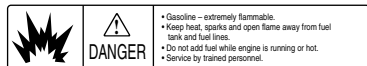


**GOLF ETIQUETTE  
DECAL**



 <b>WARNING</b> Failure to follow these instructions can cause severe injury or death.	• Read operating instructions before using vehicle. • Never stand in front or behind vehicle. • Vehicle should be driven only in specified areas by trained persons.	• Do not use on public roads. • Only two persons per front seat. • Operate vehicle from driver's side only. • Do not start vehicle until all people are seated.	• Remain seated and hold on in moving vehicle. • Keep arms, legs, feet and body inside vehicle. • Stop vehicle before changing direction. • Buzzer will sound in reverse. • Drive slowly in turns.	• Drive slowly straight up and down slopes. • Set park brake before leaving vehicle. • Remove key when vehicle is not in use. • Place shift lever in neutral when vehicle is not in use.
	<b>SAFETY WARNING DECAL</b>			

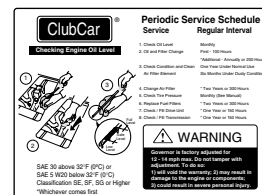
**GASOLINE TANK  
DANGER DECAL  
(ON BODY ADJACENT TO  
FUEL TANK)**



**HOT MANIFOLD AND  
MUFFLER DECAL  
(ON ENGINE)**



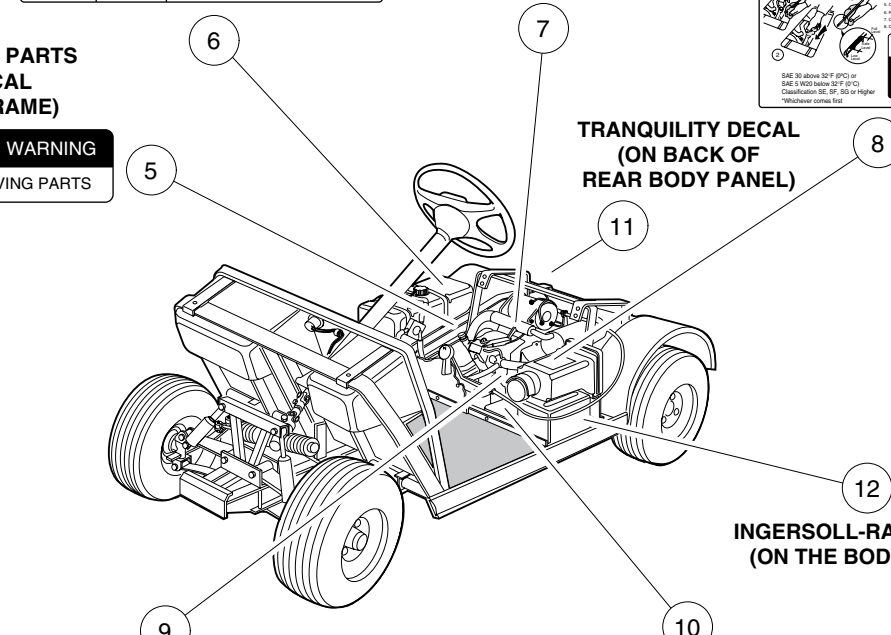
**PERIODIC SERVICE  
SCHEDULE DECAL  
(ON AIR INTAKE BOX)**



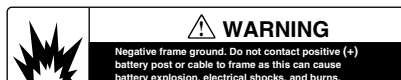
**MOVING PARTS  
DECAL  
(ON FRAME)**



**TRANQUILITY DECAL  
(ON BACK OF  
REAR BODY PANEL)**



**DANGER DECAL  
(ON BODY UNDER SEAT)**



**FRAME GROUND  
WARNING DECAL  
(ON FRAME)**

# SAFETY DECALS - GASOLINE VEHICLE

**3**

**G**

ITEM	PART NO.	DESCRIPTION	QTY GAS
		1 2 3 4	
1	1013390	DECAL, GOLF ETIQUETTE .....	1
2	1018251-01	DECAL, KEY SWITCH .....	1
3	1016216	DECAL, OPERATING INSTRUCTIONS .....	1
4	1014883	DECAL, SAFETY WARNING .....	1
5	1015475	DECAL, MOVING PARTS WARNING .....	1
6	1015476	DECAL, GASOLINE DANGER .....	1
7	1017257	DECAL, HOT MANIFOLD WARNING .....	1
8	1016062	DECAL, PERIODIC SERVICE SCHEDULE .....	1
9	1013677	DECAL, BATTERY DANGER/POISON .....	1
10	1015474	DECAL, NEGATIVE FRAME GROUND WARNING .....	1
11	1016476-02	DECAL, TRANQUILITY - GOLD .....	1
12	1019219-01	DECAL, INGERSOLL-RAND .....	2

**PRACTICE GOLF ETIQUETTE**

- Observe club rules.
- Drive on golf car paths when possible.
- Keep proper distance from greens.
- Replace divots.
- Repair ball marks on greens.
- Rake sand traps.
- Allow faster players to play through.
- Help speed up play.
- Dispose of litter properly.

Club Car

**GOLF ETIQUETTE  
DECAL**  
V-GLIDE 36 VOLT AND  
POWERDRIVE SYSTEM 48 VEHICLES  
OR

**IMPORTANT NOTICE**  
VEHICLE EQUIPPED TO CONTROL DOWNHILL SPEED

- Maximum vehicle speed is controlled during downhill operation with accelerator pedal depressed.
- Vehicle will brake gently when accelerator pedal is released.
- System is activated only when key is in the "ON" position.
- When towing vehicle, key must be in the "OFF" position.

Club Car

**REGENERATIVE  
BRAKING DECAL**  
POWERDRIVE PLUS VEHICLE  
ONLY

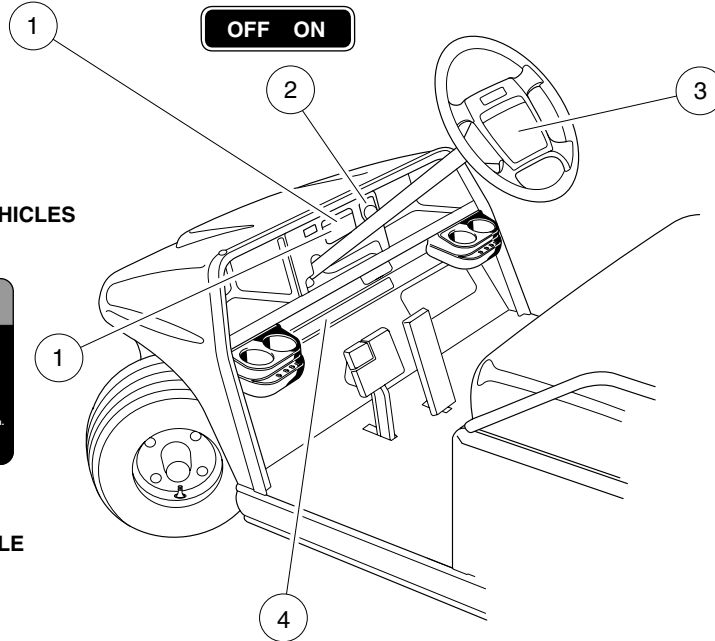
**KEY SWITCH  
DECAL**

OFF ON

**OPERATING INSTRUCTIONS  
DECAL**

**OPERATING INSTRUCTIONS**

- Read owner's manual prior to operation.
- Study and understand controls. Be sure everyone is seated.
- Before driving, read safety warnings located above pedals.
- Make sure wheels are turned in desired direction.
- Turn key to "ON" position and be sure nothing is in your path.
- Select direction by placing shift lever in desired position:
  - F - Forward
  - N - Neutral
  - R - Reverse
- Vehicle will start moving when accelerator pedal is depressed.
- Slowly depress accelerator pedal to increase speed. Park brake will release when accelerator pedal is depressed.
- To stop, release accelerator pedal and depress brake pedal.
- After stopping, firmly depress park brake until locked.
- Place forward and reverse switch in neutral position.
- Turn key "OFF" and remove key when not in use.



**WARNING**

- Read operating instructions before using vehicle.
- Never stand in front or behind vehicle.
- Vehicle should be driven only in specified areas by trained persons.
- Do not use on public roads.
- Only two persons per front seat.
- Operate vehicle from driver's side only.
- Do not start vehicle until all people are seated.
- Remain seated and hold on in moving vehicle.
- Keep arms, legs, feet and body inside vehicle.
- Stop vehicle before changing direction.
- Buzzer will sound in reverse.
- Drive slowly in turns.
- Drive slowly straight up and down slopes.
- Set park brake before leaving vehicle.
- Remove key when vehicle is not in use.
- Place shift lever in neutral when vehicle is not in use.

**SAFETY WARNING DECAL**

**DANGER DECAL  
(ON BODY UNDER SEAT)**

**WARNING** HOT RESISTORS CAN CAUSE SEVERE BURNS.

**RESISTOR WARNING DECAL**  
V-GLIDE 36 VOLT AND POWERDRIVE PLUS VEHICLES  
(ON BODY UNDER SEAT)

**DANGER / POISON**

EXPLOSIVE GASES CAN CAUSE BLINDNESS OR INJURY

SHIELD EYES

NO SPARKS, FLAMES, SMOKING

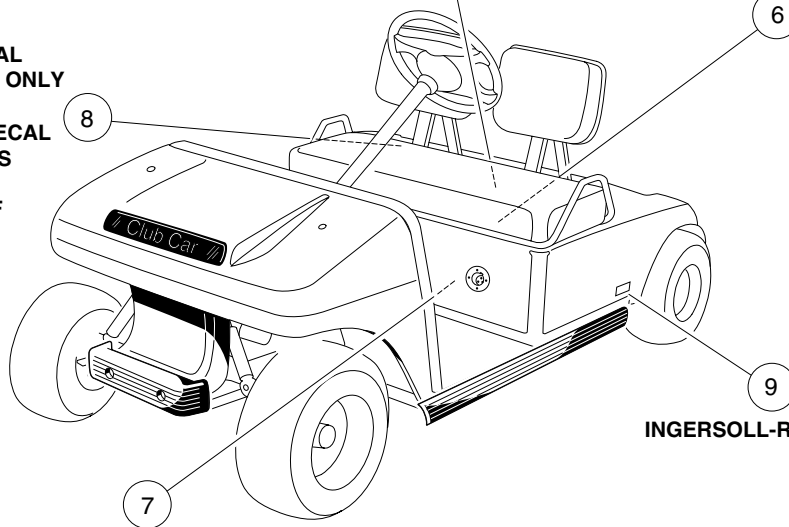
SULFURIC ACID CAN CAUSE BLINDNESS OR SILVER BURNS

FLUSH EYES IMMEDIATELY WITH WATER

GET MEDICAL HELP FAST

KEEP OUT OF THE REACH OF CHILDREN - DO NOT TIP - KEEP VENT CAPS TIGHT AND LEVEL

**POWERDRIVE DECAL**  
POWERDRIVE VEHICLE ONLY  
OR  
**POWERDRIVE PLUS DECAL**  
POWERDRIVE PLUS  
VEHICLE ONLY  
(ON THE BACK OF  
THE REAR BODY)



**INGERSOLL-RAND DECAL**

**CAUTION**

- DO NOT OPERATE VEHICLE WITHOUT COVER IN PLACE • DO NOT DIRECT WATER STREAM AT THIS SWITCH

**SPEED SWITCH CAUTION DECAL**  
V-GLIDE 36 VOLT VEHICLE ONLY  
(ON WIPER SWITCH COVER)

# SAFETY DECALS - ELECTRIC VEHICLE

ITEM	PART NO.	DESCRIPTION	QTY ELEC
		1 2 3 4	
1	1013390	DECAL, GOLF ETIQUETTE (V-GLIDE 36 VOLT AND POWERDRIVE SYSTEM 48) .....	1
1	1018621-01	DECAL, REGENERATIVE BRAKING (POWERDRIVE PLUS VEHICLE ONLY) .....	1
2	1018251-01	DECAL, KEY SWITCH .....	1
3	1016216	DECAL, OPERATING INSTRUCTIONS .....	1
4	1014883	DECAL, SAFETY WARNING .....	1
5	1013496	DECAL, HOT RESISTORS WARNING (V-GLIDE 36 VOLT AND POWERDRIVE PLUS VEHICLES) .....	1
6	1013677	DECAL, BATTERY DANGER/POISON .....	1
7	1016109	DECAL, WIPER SWITCH CAUTION (V-GLIDE 36 VOLT VEHICLE ONLY) .....	1
8	1018304-01	DECAL, POWERDRIVE (POWERDRIVE SYSTEM 48 VEHICLE ONLY) .....	1
8	1018854-01	DECAL, POWERDRIVE PLUS (POWERDRIVE PLUS VEHICLE ONLY) .....	1
9	1019219-01	DECAL, INGERSOLL-RAND .....	2





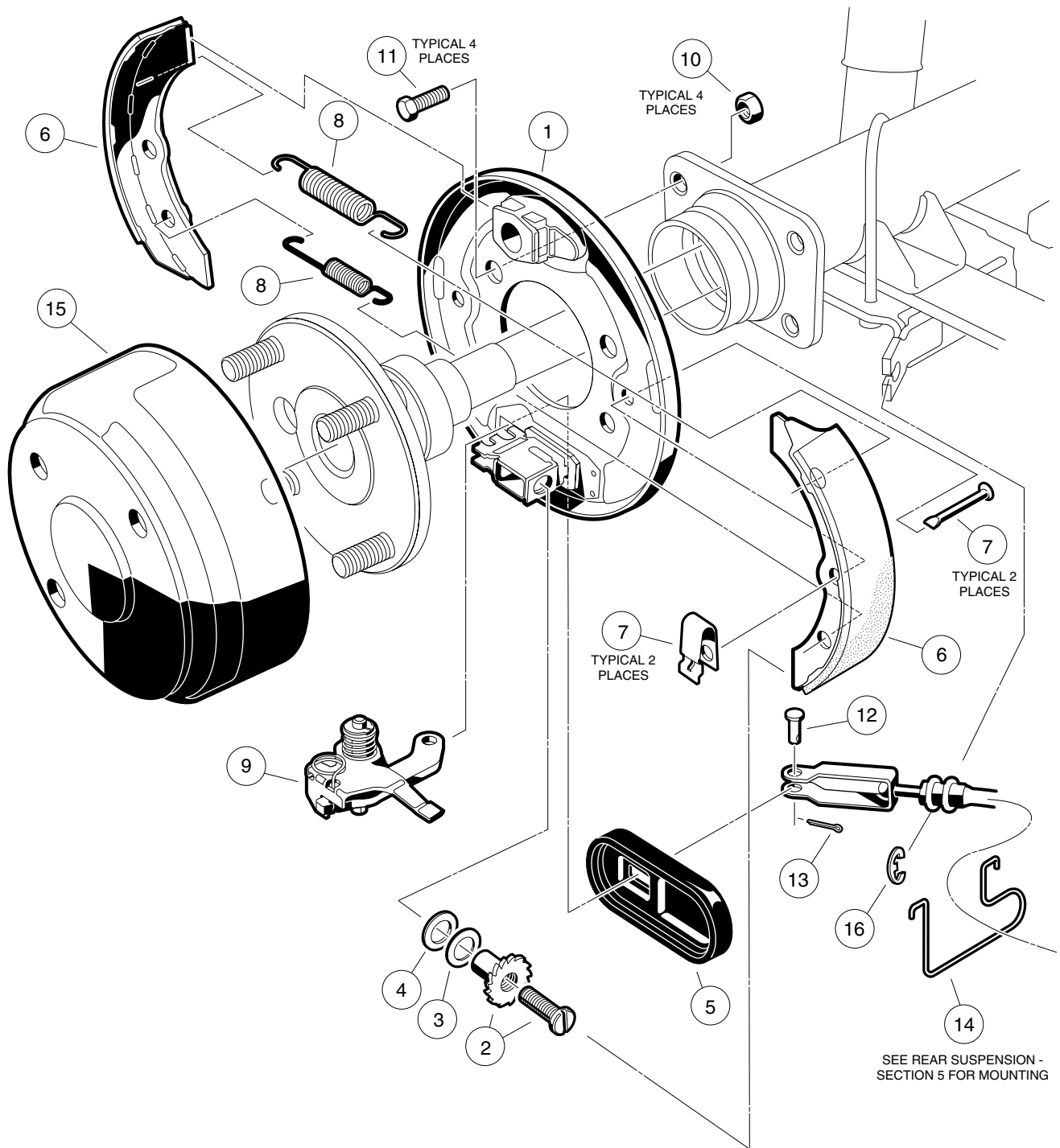
# BRAKES, PEDAL, AND CABLE ASSEMBLIES

---

4

G

E



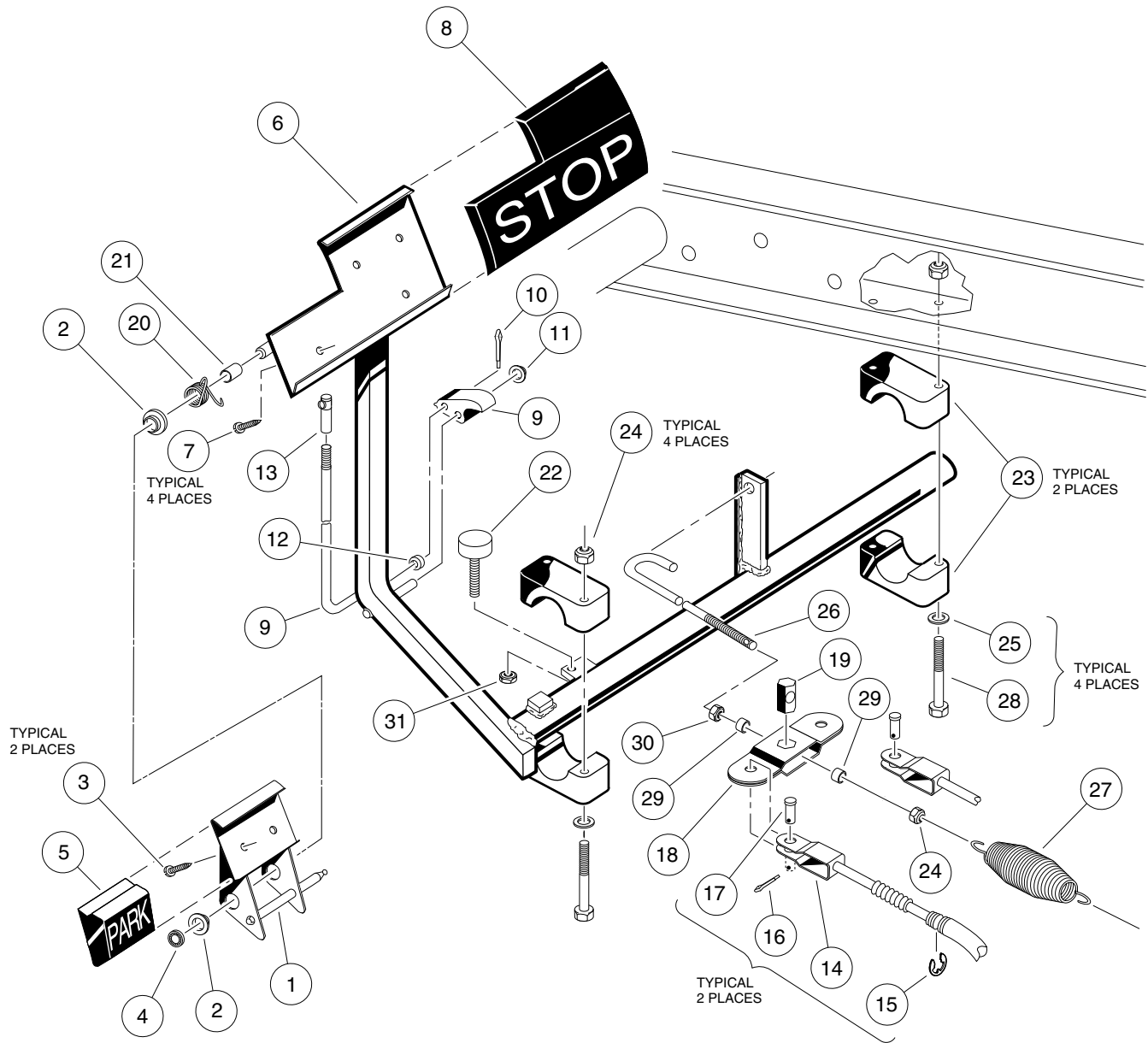
# BRAKE ASSEMBLY

4

G

E

ITEM	PART NO.	DESCRIPTION	QTY GAS	QTY ELEC
		1 2 3 4		
	1018233-01	CLUSTER, RIGHT BRAKE (INCLUDES ITEMS 1 - 9) .....	1	1
	1018233-02	CLUSTER, LEFT BRAKE (INCLUDES ITEMS 1 - 9) .....	1	1
1	1018240-01	ASSEMBLY, BACKING PLATE, RIGHT (INCLUDES ITEMS 2, 3 AND 4) .....	1	1
1	1018240-02	ASSEMBLY, BACKING PLATE, LEFT (INCLUDES ITEMS 2, 3 AND 4) .....	1	1
2	1018165-01	MECHANISM, ADJUSTING, RIGHT .....	1	1
2	1018165-02	MECHANISM, ADJUSTING, LEFT .....	1	1
3	1018239-01	WASHER .....	1	1
4	1018238-01	WASHER, PLATE .....	1	1
5	1010850	COVER, DUST .....	1	1
6	1018232-01	PACKAGE, BRAKE SHOE (FOUR PIECES) .....	1	1
7	1011466	KIT, SHOE RETAINER (FOUR PIECES) .....	1	1
8	1018163-01	PACKAGE, BRAKE SPRING (FOUR PIECES) .....	1	1
9	1018155-01	ASSEMBLY, LEVER, RIGHT .....	1	1
9	1018155-02	ASSEMBLY, LEVER, LEFT .....	1	1
10	1013924	NUT, HEX CONE, 5/16 - 24 .....	8	8
11	1014153	BOLT, BRAKE CLUSTER MOUNTING .....	8	8
12	1010829	PIN, CLEVIS, 5/16 .....	2	2
13	0001035	PIN, COTTER, 3/32 x 1 .....	2	2
14	1013207	HANGER, BRAKE CABLE .....	2	2
15	1017911-01	DRUM, BRAKE .....	2	2
16	1011779	CLIP, "E", 1/2 .....	2	2



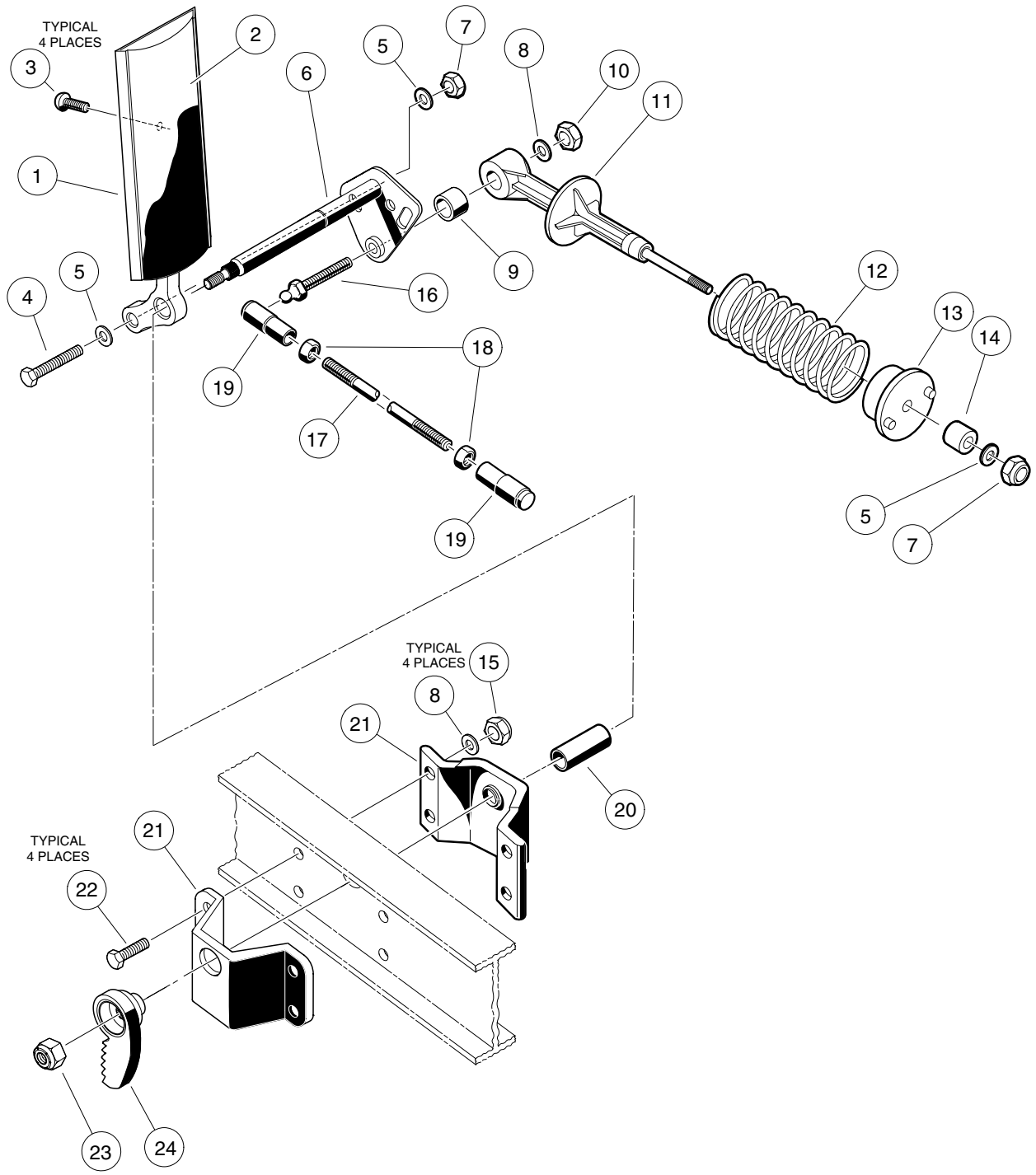
# BRAKE PEDAL AND CABLE ASSEMBLY

4

G

E

ITEM	PART NO.	DESCRIPTION	QTY GAS	QTY ELEC
		1 2 3 4		
1	1011418	KIT, PARK BRAKE PEDAL (INCLUDES ITEMS 2 - 5) .....	1	1
2	0001032	BUSHING, NYLON .....	2	2
3	0007716	SCREW, SLOTTED HEX WASHER HEAD, #10 -16 x 1/2 .....	2	2
4	1013876	NUT, PUSH, 3/8 .....	1	1
5	1013870	PAD, PARK BRAKE .....	1	1
6	1011406	KIT, BRAKE PEDAL (INCLUDES ITEMS 7 AND 8) .....	1	1
7	0007716	SCREW, SLOTTED HEX WASHER HEAD, #10 - 16 x 1/2 .....	4	4
8	1013869	PAD, BRAKE PEDAL .....	1	1
9	1016173	KIT, PARK BRAKE ROD AND PAWL (INCLUDES ITEMS 10 - 13) .....	1	1
10	1017029	PIN, COTTER, 7/64 x 1/2 .....	1	1
11	1010877	NUT, PUSH, 5/16 .....	1	1
12	1010805	SLEEVE, PARK BRAKE ROD .....	1	1
13	1010932	JOINT, BALL, 1/4 - 28 .....	1	1
14	1011403	KIT, BRAKE CABLE (INCLUDES ITEMS 15 - 17) .....	2	2
15	1011779	CLIP, "E", 1/2 .....	2	2
16	0001035	PIN, COTTER, 3/32 x 1 .....	2	2
17	1010829	PIN, CLEVIS, 5/16 .....	2	2
18	1017211	KIT, EQUALIZER AND PIVOT LIMITER (INCLUDES ITEM 19) .....	1	1
19	N/A	PIN, EQUALIZER PIVOT .....	1	1
20	1010933	SPRING, PARK BRAKE TORSION .....	1	1
21	1010927	SPACER, PARK BRAKE .....	1	1
22	1010878	STOP, BRAKE .....	1	1
23	1011402	PACKAGE, BRAKE MOUNTING BLOCK (CONTAINS UPPER AND LOWER FOR LEFT AND RIGHT SIDES) .....	1	1
24	0008986	NUT, DIMPLED LOCK, 5/16 - 18 .....	5	5
25	0001241	WASHER, FLAT, 5/16 .....	4	4
26	1010808	ROD, EQUALIZER .....	1	1
27	1013532	SPRING, BRAKE RETURN (GASOLINE VEHICLE) .....	1	
27	1013531	SPRING, BRAKE RETURN (ELECTRIC VEHICLE) .....		1
28	1010921	SCREW, HEX HEAD CAP, 5/16 - 18 x 2 1/2 .....	4	4
29	1018653-01	SPACER, EQUALIZER .....	2	2
30	0001242	NUT, HEX, 5/16 - 18 .....	1	1
31	0001028	NUT, HEX, 1/4 - 20 .....	1	1



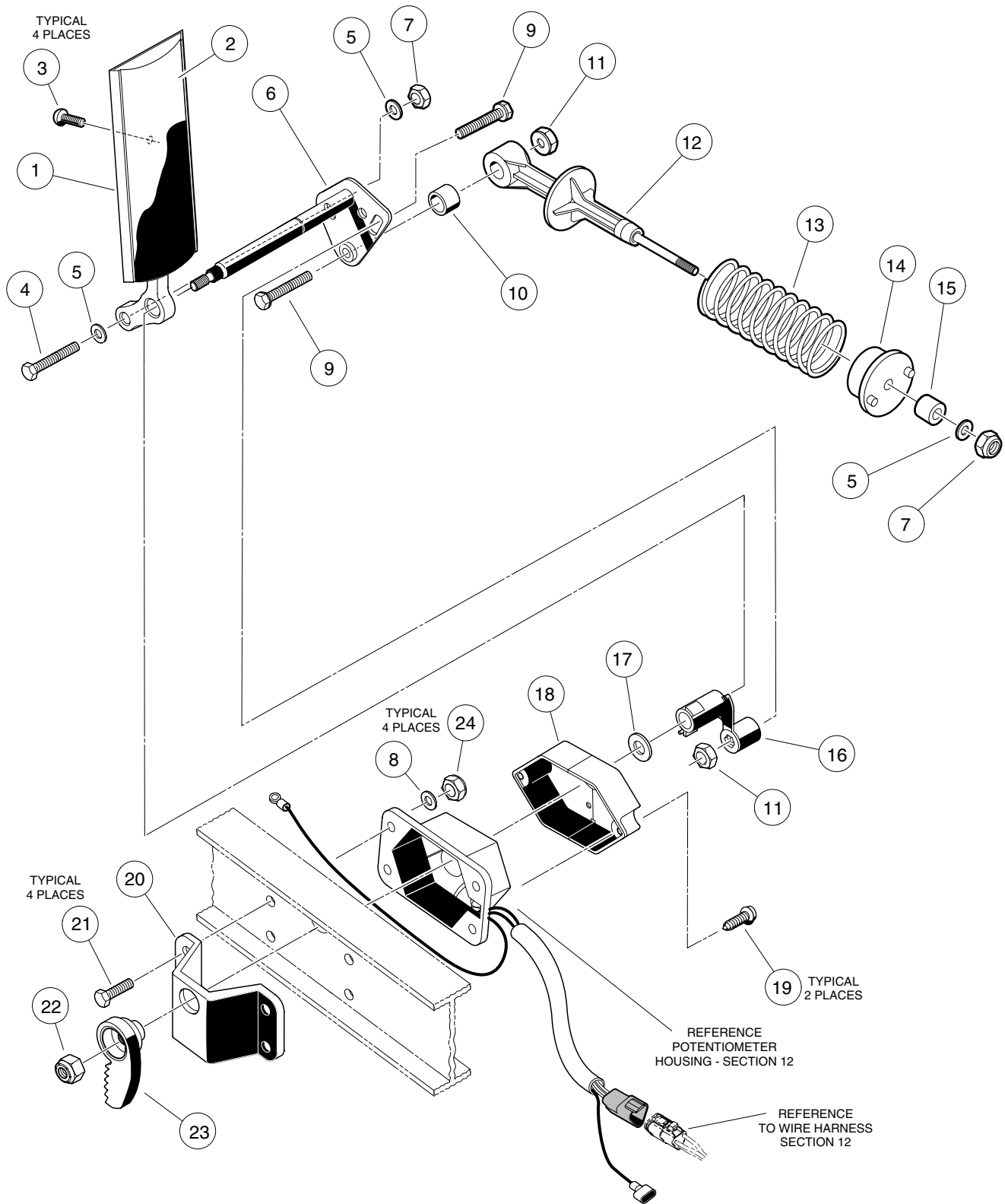
# ACCELERATOR PEDAL ASSEMBLY GASOLINE AND V-GLIDE 36 VOLT VEHICLES

**4**

**G**

**E**

ITEM	PART NO.	DESCRIPTION	QTY GAS	QTY ELEC
		1 2 3 4		
1	1017696	SUB-ASSEMBLY, ACCELERATOR PEDAL (INCLUDES ITEM 2 AND 3) .....	1	1
2	1013871	PAD, PEDAL .....	1	1
3	0007716	SCREW, SLOTTED HEX WASHER HEAD, #10 - 16 x 1/2 .....	4	4
4	0001218	SCREW, HEX CAP, 5/16 - 18 x 1 1/4 .....	1	1
5	0001241	WASHER, FLAT, 5/16 .....	3	3
6	1017325	ASSEMBLY, ACCELERATOR PIVOT ROD .....	1	1
7	0007473	NUT, NYLON LOCK, 5/16 - 18 .....	2	2
8	0000332	WASHER, FLAT, 1/4 .....	5	5
9	1017424	BEARING, PIVOT SUPPORT .....	1	1
10	0008717	NUT, NYLON LOCK, 1/4 - 28 .....	1	1
11	1018174-01	RETAINER, SPRING .....	1	1
12	1017962-01	SPRING, RETURN .....	1	1
13	1017378	CUP, SPRING .....	1	1
14	1017380	BUMPER, RETURN SPRING .....	1	1
15	0008233	NUT, NYLON LOCK, 1/4 - 20 .....	4	4
16	1018188-01	STUD, BALL .....	1	1
17	1018719-01	ASSEMBLY, ACCELERATOR ROD (V-GLIDE 36 VOLT VEHICLE ONLY) (INCLUDES ITEMS 18 AND 19) .....		1
17	1016168	ASSEMBLY, ACCELERATOR ROD (GASOLINE VEHICLE ONLY) (INCLUDES ITEMS 18 AND 19) .....	1	
18	1011084	NUT, UNF HEX JAM, 1/4 - 28 .....	2	2
19	1011734	JOINT, SPRING-LOADED BALL .....	2	2
20	1011700	SPACER .....	1	1
21	1011694	SUPPORT, ACCELERATOR PIVOT ROD .....	2	2
22	1018619-01	SCREW, HEX CAP, 1/4 - 20 x 1 1/8 .....	4	4
23	0008754	NUT, NYLON LOCK, 3/8 x 16 .....	1	1
24	1017322	RACHET, PARK BRAKE .....	1	1





# ACCELERATOR PEDAL ASSEMBLY POWERDRIVE SYSTEM 48 AND POWERDRIVE PLUS

**4**

**G**

**E**

ITEM	PART NO.	DESCRIPTION	QTY GAS	QTY ELEC
		1 2 3 4		
1	1017696	SUB-ASSEMBLY, ACCELERATOR PEDAL (INCLUDES ITEM 2 AND 3) .....		1
2	1013871	PAD, PEDAL .....		1
3	0007716	SCREW, SLOTTED HEX WASHER HEAD, #10 - 16 x 1/2 .....		4
4	0001218	SCREW, HEX CAP, 5/16 - 18 x 1 1/4 .....		1
5	0001241	WASHER, FLAT, 5/16 .....		3
6	1017325	ASSEMBLY, ACCELERATOR PIVOT ROD .....		1
7	0007473	NUT, NYLON LOCK, 5/16 - 18 .....		2
8	0000332	WASHER, FLAT, 1/4 .....		4
9	1018620-01	SCREW, FLANGED HEX HEAD CAP, 1/4 - 20 x 1 3/8 .....		2
10	1017424	BEARING, PIVOT SUPPORT .....		1
11	1015661	NUT, FLANGED LOCK, 1/4 - 20 .....		2
12	1018174-01	RETAINER, SPRING .....		1
13	1017962-01	SPRING, RETURN .....		1
14	1017378	CUP, SPRING .....		1
15	1017380	BUMPER, RETURN SPRING .....		1
16	1017400	LEVER, ACTUATOR .....		1
17	1018042-01	WASHER, PLASTIC, 1/2 .....		1
18	1017743	COVER, ACCELERATOR .....		1
19	1018043-01	SCREW, HI-LO HEX HEAD, #8 - 18 x 1/2 .....		2
20	1011694	SUPPORT, ACCELERATOR PIVOT ROD .....		1
21	1018619-01	SCREW, HEX CAP, 1/4 - 20 x 1 1/8 .....		4
22	0008754	NUT, NYLON LOCK, 3/8 - 16 .....		1
23	1017322	RATCHET, PARK BRAKE .....		1
24	0008233	NUT, NYLON LOCK, 1/4 - 20 .....		4



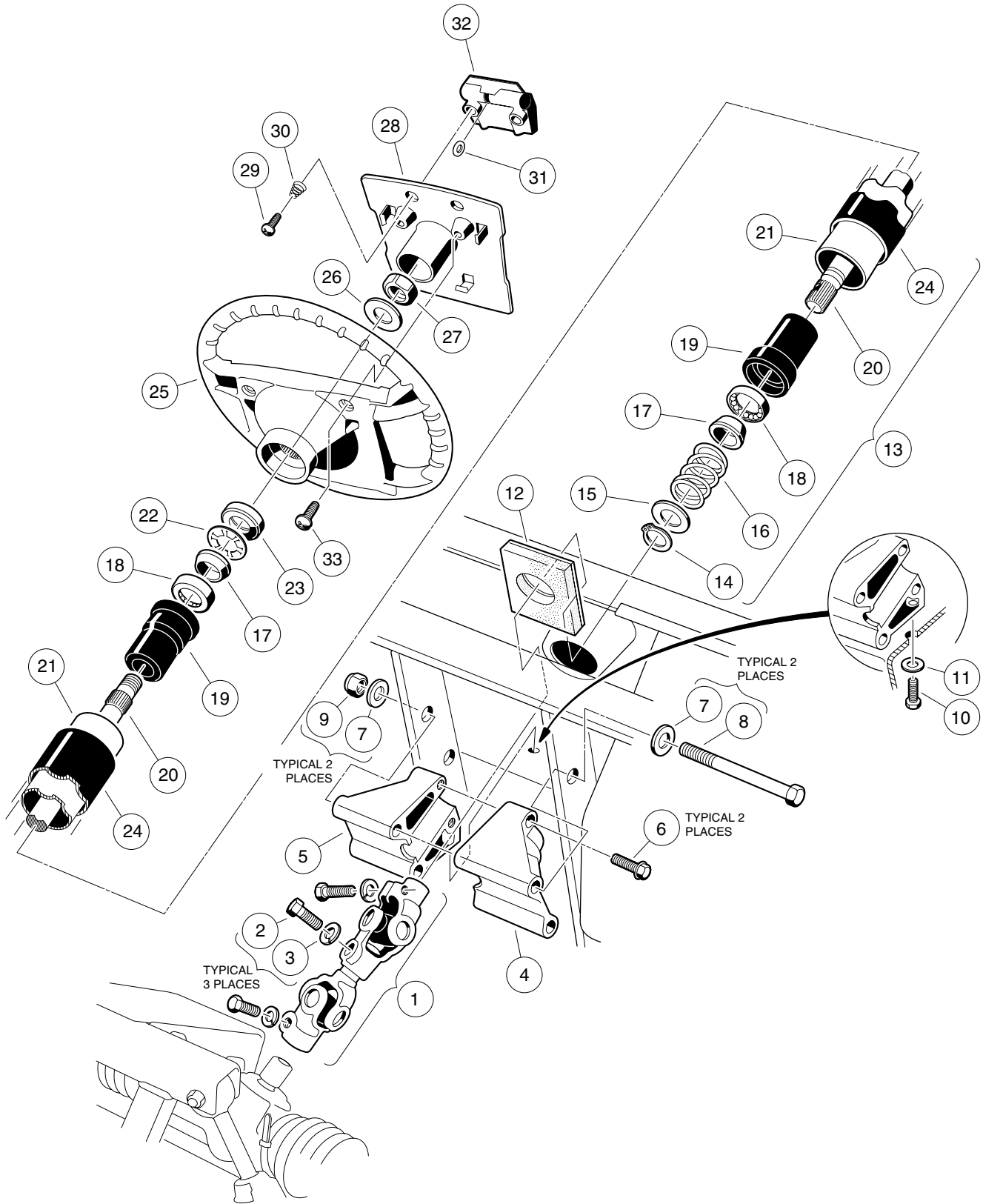
# STEERING, FRONT AND REAR SUSPENSION

---

5

G

E



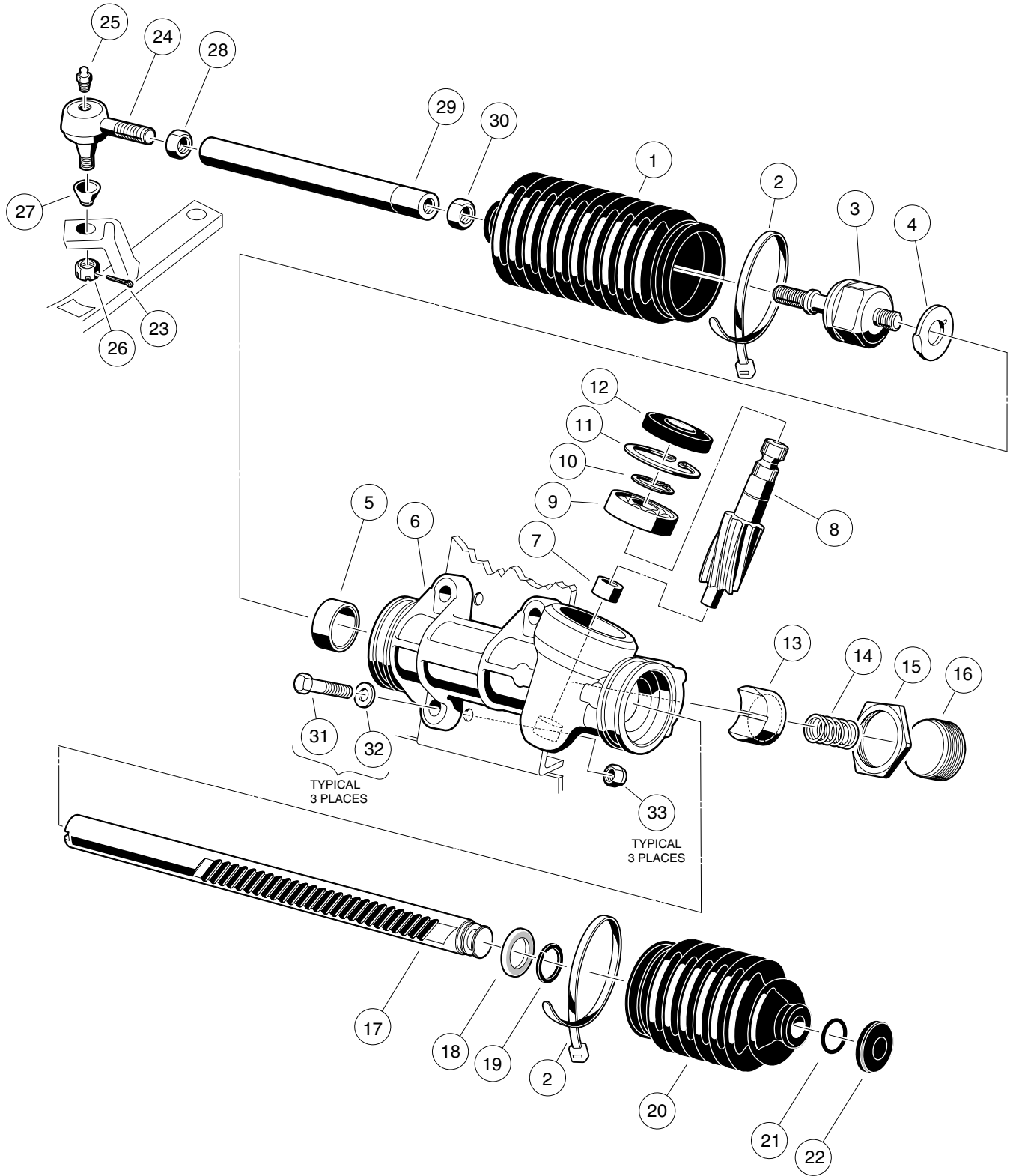
# STEERING COLUMN

5

G

E

ITEM	PART NO.	DESCRIPTION	QTY GAS	QTY ELEC
		1 2 3 4		
1	1013861	JOINT, COMPOUND STEERING (INCLUDES ITEMS 2 AND 3) .....	1	1
2	1017226	SCREW, HEX HEAD CAP, M8 x 1.25 x 30MM .....	3	3
3	0007174	WASHER, LOCK, 5/16 .....	3	3
4	1016185	MOUNT, STEERING COLUMN, LEFT HAND .....	1	1
5	1016184	MOUNT, STEERING COLUMN, RIGHT HAND .....	1	1
6	1016269	SCREW, HEX WASHER HEAD THREAD FORMING, 5/16 - 18 x 2 .....	2	2
7	0000334	WASHER, FLAT, 3/8 .....	4	4
8	1016183	SCREW, HEX HEAD CAP, 3/8 - 16 x 6 3/4 .....	2	2
9	0008754	NUT, NYLON LOCK, 3/8 - 16 .....	2	2
10	1014288	SCREW, HEX WASHER HEAD THREAD FORMING, 5/16 - 18 x 3/4 .....	1	1
11	1011697	WASHER, FLAT, 5/16 .....	1	1
12	1012499	BOOT, STEERING COLUMN .....	1	1
13	1016181	ASSEMBLY, STEERING COLUMN (INCLUDES ITEMS 14 - 23) .....	1	1
14	1012605	RING, RETAINING .....	1	1
15	1012604	WASHER, STEEL, 5/8 .....	1	1
16	1014217	SPRING, COMPRESSION .....	1	1
17	1014125	WEDGE .....	2	2
18	1014213	ASSEMBLY, BEARING .....	2	2
19	1014126	SEAT, BEARING .....	2	2
20	1015545	SHAFT, STEERING COLUMN .....	1	1
21	1016622	COLUMN, ALUMINUM STEERING .....	1	1
22	1014214	RING, RETAINING .....	1	1
23	1014211	SEAL, BEARING .....	1	1
24	1016263	COVER, STEERING COLUMN .....	1	1
25	1016156	WHEEL, STEERING .....	1	1
26	1012604	WASHER, STEEL, 5/8 .....	1	1
27	1017273	NUT, NYLON LOCK, 5/8 - 18 .....	1	1
28	1016219	ASSEMBLY, SCORECARD PLATE (INCLUDES ITEMS 29 - 32) .....	1	1
29	1012565	SCREW, ROUND HEAD, #12 - 14 x 1 .....	2	2
30	1012566	SPRING, TAPERED COMPRESSION .....	2	2
31	1016214	GRIP, PENCIL .....	2	2
32	1016154	CLIP, SCORE CARD .....	1	1
33	1010715	SCREW, PHILLIPS, #10 - 14 x 3/8 .....	2	2



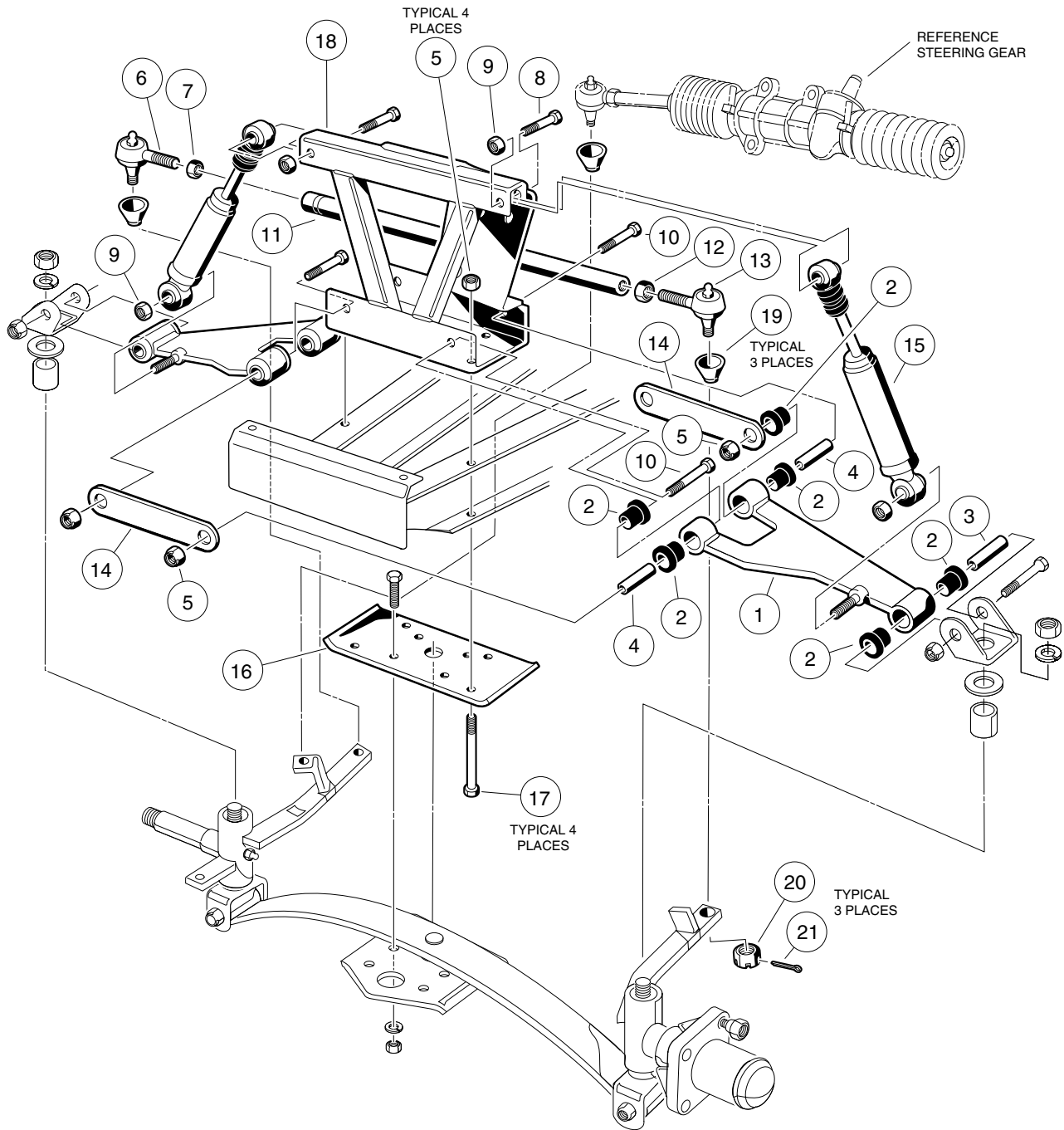
# STEERING GEAR ASSEMBLY

5

G

E

ITEM	PART NO.	DESCRIPTION	QTY GAS	QTY ELEC
		1 2 3 4		
	1018783-02	ASSEMBLY, STEERING GEAR BOX (INCLUDES ITEMS 1 - 22) .....	1	1
1	1013035	SEAL, DUST, RIGHT .....	1	1
2	0008990	WRAP, TIE .....	2	2
3	1018802-01	ASSEMBLY, INNER BALL JOINT .....	1	1
4	1018803-01	WASHER, TAB .....	2	2
5	1013036	BUSHING, RACK .....	1	1
6	N/A	BOX, STEERING GEAR .....	1	1
7	N/A	BEARING, LOWER PINION .....	1	1
8	N/A	PINION, STEERING .....	1	1
9	1018794-01	BEARING, UPPER PINION .....	1	1
10	1018799-01	RING, C-TYPE STOP .....	1	1
11	1013051	RING, SNAP .....	1	1
12	1013052	SEAL, DUST, STEERING PINION .....	1	1
13	1018797-01	GUIDE, STEERING RACK .....	1	1
14	1018798-01	SPRING, YOKE .....	1	1
15	1013044	NUT, LOCK, RACK SCREW .....	1	1
16	N/A	SCREW, RACK GUIDE .....	1	1
17	N/A	RACK, STEERING .....	1	1
18	1018795-01	WASHER, STOP .....	2	2
19	1018796-01	RING, C-TYPE STOP .....	1	1
20	1018800-01	SEAL, DUST, LEFT .....	1	1
21	1018801-01	O-RING, DUST SEAL RETAINING .....	1	1
22	1019260-01	CAP, RACK END DUST .....	1	1
23	0001035	PIN, COTTER, 3/32 x 1 .....	1	1
24	0007540	BALL JOINT, LEFT HAND THREAD (INCLUDES ITEMS 25, 26 AND 27) .....	1	1
25	1015597	FITTING, THREAD FORM GREASE, 1/4 - 28 .....	1	1
26	0007602	NUT, HEX SLOTTED, 3/8 - 24 .....	1	1
27	1011930	BOOT, DUST .....	1	1
28	0007555	NUT, HEX, LEFT HAND THREAD, 1/2 - 20 .....	1	1
29	1012467	LINK, RACK AND PINION DRAG .....	1	1
30	1013042	NUT, HEX, M12 x 1.75 .....	1	1
31	0001624	BOLT, HEX HEAD, 3/8 - 16 x 1 1/2 .....	3	3
32	0000334	WASHER, FLAT, 3/8 .....	3	3
33	1010138	NUT, DIMPLED LOCK, 3/8 - 16 .....	3	3





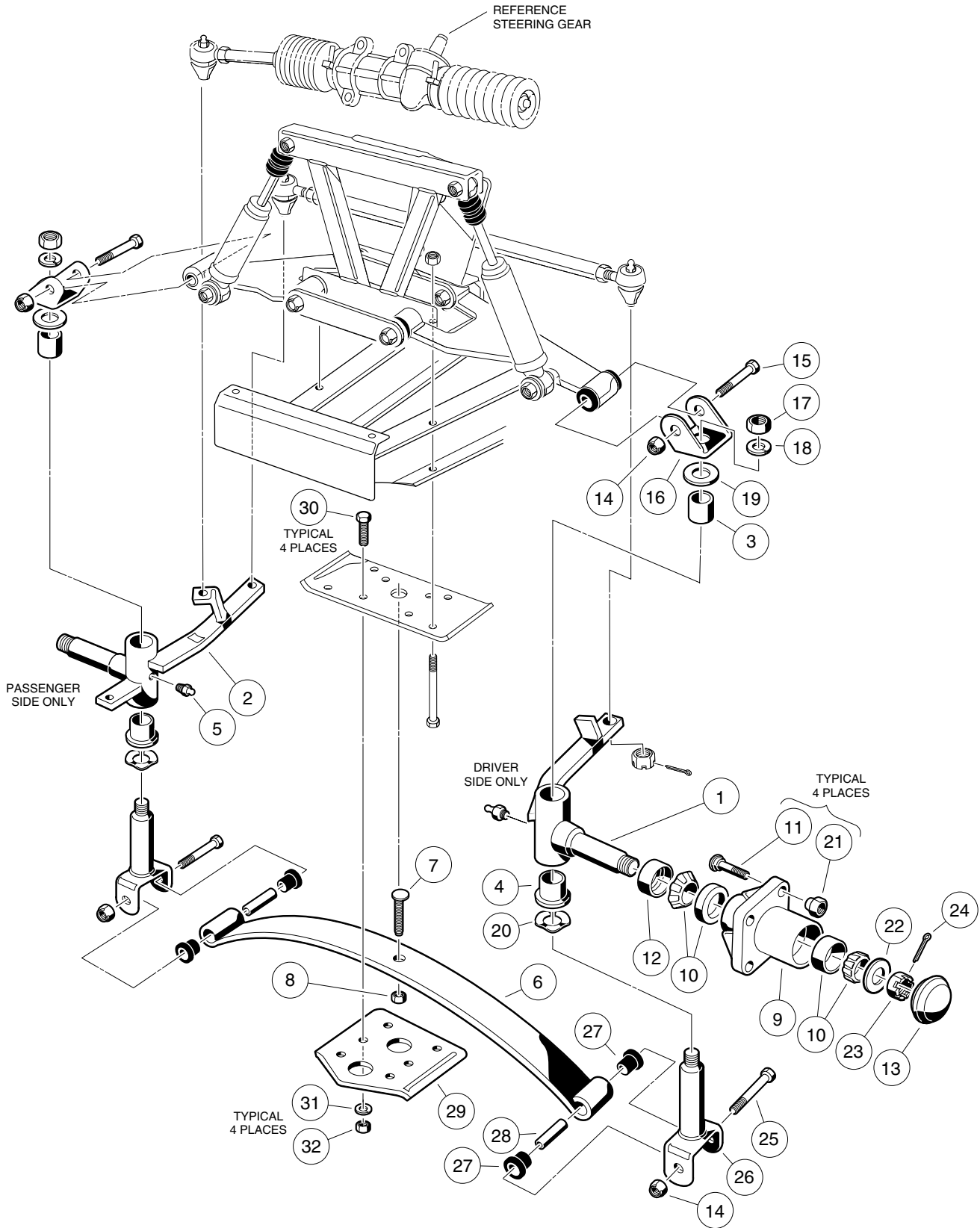
# FRONT SUSPENSION, UPPER

**5**

**G**

**E**

ITEM	PART NO.	DESCRIPTION	QTY GAS	QTY ELEC
		1 2 3 4		
1	1016353	ASSEMBLY, DELTA A-PLATE (INCLUDES ITEMS 2, 3 AND 4) .....	2	2
2	1016346	BUSHING, URETHANE .....	6	6
3	1016350	SLEEVE, DELTA OUTER .....	1	1
4	1016349	SLEEVE, DELTA INNER .....	2	2
5	0008754	NUT, NYLON LOCK, 3/8 - 16 .....	8	8
6	0007539	BALL JOINT .....	1	1
7	0001308	NUT, HEX, 1/2 - 20 .....	1	1
8	0001624	BOLT, HEX HEAD, 3/8 - 16 x 1 1/2 .....	2	2
9	1010138	NUT, DIMPLED LOCK, 3/8 - 16 .....	4	4
10	0002402	SCREW, HEX CAP, 3/8 - 16 x 2 1/4 .....	4	4
11	1010219	ROD, TIE .....	1	1
12	0007555	NUT, HEX, LEFT HAND THREAD, 1/2 - 20 .....	1	1
13	0007540	BALL JOINT, LEFT HAND THREAD .....	1	1
14	1017266	STRAP, A-PLATE .....	2	2
15	1015813	SHOCK ABSORBER, FRONT (GASOLINE VEHICLE ONLY) .....	2	
15	1014235	SHOCK ABSORBER, FRONT (ELECTRIC VEHICLES ONLY) .....		2
16	1010124	PLATE, SPRING MOUNTING .....	1	1
17	1010200	BOLT, HEX HEAD, 3/8 - 16 x 4 1/4 .....	4	4
18	1016385	ASSEMBLY, DELTA SHOCK AND GEAR SUPPORT .....	1	1
19	1011930	SEAL, DUST .....	3	3
20	0007602	NUT, SLOTTED HEX, 3/8 - 24 .....	3	3
21	0001035	PIN, COTTER, 3/32 x 1 .....	1	1



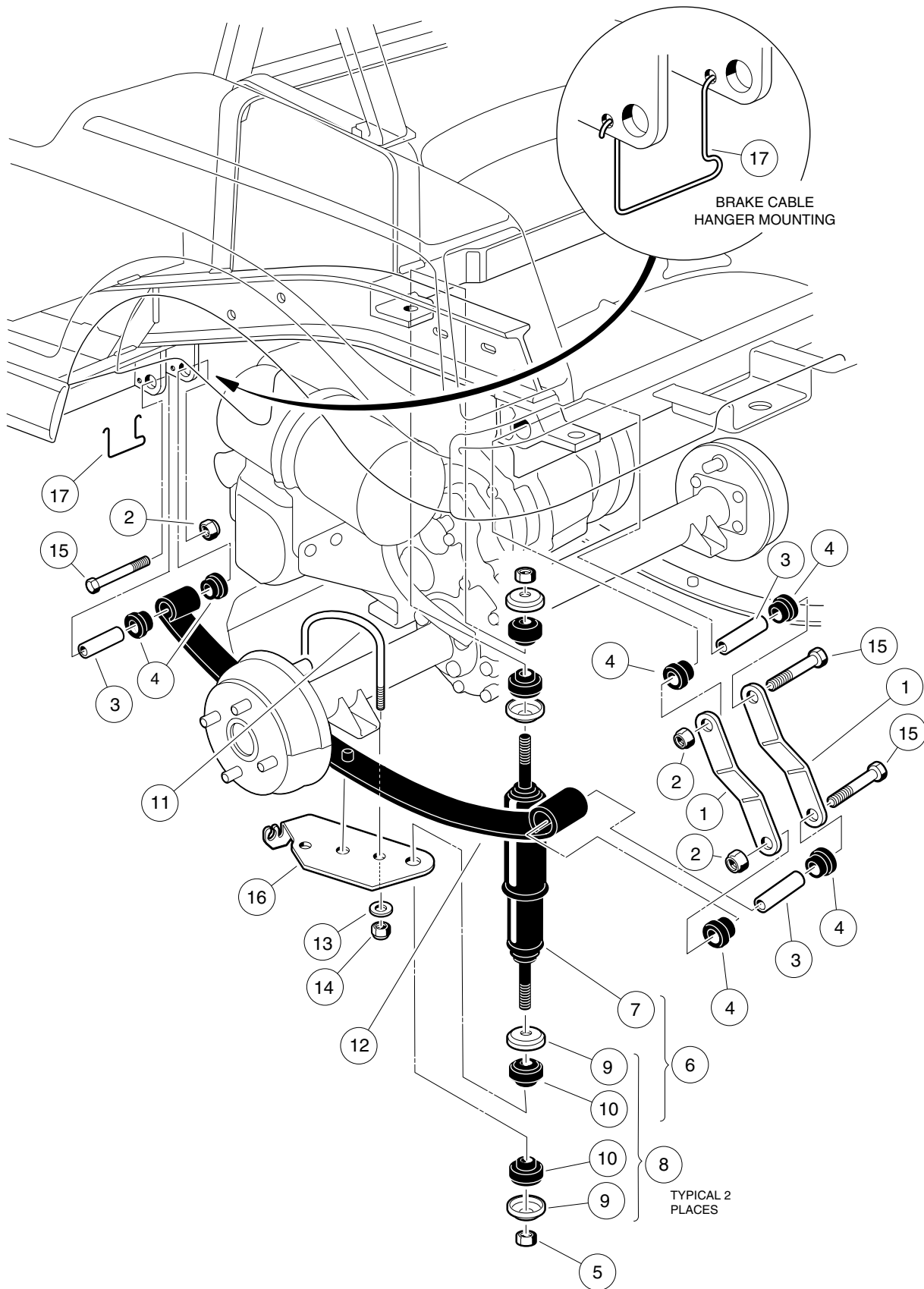
# FRONT SUSPENSION, LOWER

**5**

**G**

**E**

ITEM	PART NO.	DESCRIPTION	QTY GAS	QTY ELEC
		1 2 3 4		
1	1010348	ASSEMBLY, LEFT SPINDLE (INCLUDES ITEMS 3, 4 AND 5) .....	1	1
2	1010347	ASSEMBLY, RIGHT SPINDLE (INCLUDES ITEMS 3, 4 AND 5) .....	1	1
3	0008067	BUSHING, BRONZE SPINDLE .....	1	1
4	0007048	BUSHING, BRONZE .....	1	1
5	1015597	FITTING, GREASE, 1/4 - 28 .....	1	1
6	1015108	SPRING, TAPERED LEAF (GASOLINE VEHICLE ONLY) .....	1	
6	1012030	SPRING, TAPERED LEAF (ELECTRIC VEHICLES ONLY) .....		1
7	0008745	ASSEMBLY, ECCENTRIC .....	1	1
8	0000706	NUT, HEX, 3/8 - 16 .....	1	1
9	1011892	ASSEMBLY, HUB (INCLUDES ITEMS 10 - 13) .....	2	2
10	1011393	PACKAGE, HUB BEARING .....	2	2
11	1011304	STUD, LUG, 1/2 - 20 .....	4	4
12	1013135	SEAL, DOUBLE LIP .....	1	1
13	1011887	COVER, DUST .....	1	1
14	0008754	NUT, NYLON LOCK, 3/8 - 16 .....	4	4
15	1016387	SCREW, HEX HEAD CAP, 3/8 - 16 x 2 3/4 .....	2	2
16	1016384	CLEVIS, UPPER DELTA .....	2	2
17	0001308	NUT, HEX, 1/2 - 20 .....	2	2
18	0000209	WASHER, SPLIT LOCK, 1/2 .....	2	2
19	1010150	BEARING, THRUST .....	2	2
20	1016389	WASHER, KINGPIN WAVE .....	2	2
21	1010984	NUT, LUG .....	8	8
22	1010005	WASHER, FLAT, 3/4 .....	2	2
23	0007840	NUT, HEX SLOTTED, 3/4 - 16 .....	2	2
24	0007910	PIN, COTTER, 5/32 x 1 .....	2	2
25	0008755	SCREW, HEX HEAD CAP, 3/8 - 16 x 3 3/8 .....	2	2
26	1016386	KINGPIN .....	2	2
27	1015583	BUSHING, URETHANE .....	4	4
28	1012303	BUSHING, STEEL .....	2	2
29	1014276	PLATE, FRONT SPRING RETAINER .....	1	1
30	0001624	SCREW, HEX HEAD CAP, 3/8 - 16 x 1 1/2 .....	4	4
31	0000357	WASHER, LOCK, 3/8 .....	4	4
32	0000706	NUT, HEX, 3/8 - 16 .....	4	4



# REAR SUSPENSION

5

G

E

ITEM	PART NO.	DESCRIPTION	QTY GAS	QTY ELEC
		1 2 3 4		
1	1012304	SHACKLE, REAR SPRING (GASOLINE VEHICLE) .....	4	
1	0007569	SHACKLE, REAR SPRING (ELECTRIC VEHICLE) .....		4
2	0008754	NUT, NYLON LOCK, 3/8 - 16 .....	6	6
3	1012303	BUSHING, STEEL .....	4	4
4	1015583	BUSHING, URETHANE .....	12	12
5	1010145	NUT, UNF HEX, 3/8 - 24 .....	4	4
6	1013164	KIT, SHOCK ABSORBER (INCLUDES ITEMS 7, 9 AND 10) .....	1	1
7	1014236	SHOCK ABSORBER, REAR .....	2	2
8	1011415	KIT, SHOCK ABSORBER CUSHION (INCLUDES ITEMS 9 AND 10).....	4	4
9	N/A	RETAINER, SHOCK ABSORBER CUSHION .....	8	8
10	N/A	CUSHION, SHOCK ABSORBER .....	8	8
11	1012180	BOLT, "U" .....	2	2
12	1012324	SPRING, REAR LEAF (GASOLINE VEHICLE) .....	2	
12	1010974	SPRING, REAR LEAF (ELECTRIC VEHICLE) .....		2
13	1014557	WASHER, FLAT, 7/16 .....	4	4
14	1014555	NUT, NYLON LOCK, 7/16 - 24 .....	4	4
15	0008755	SCREW, HEX HEAD CAP, 3/8 - 16 x 3 3/8 .....	6	6
16	1012182	PAD, SPRING LEFT.....	1	1
16	1012181	PAD, SPRING RIGHT .....	1	1
17	1013207	HANGER, BRAKE CABLE .....	2	2

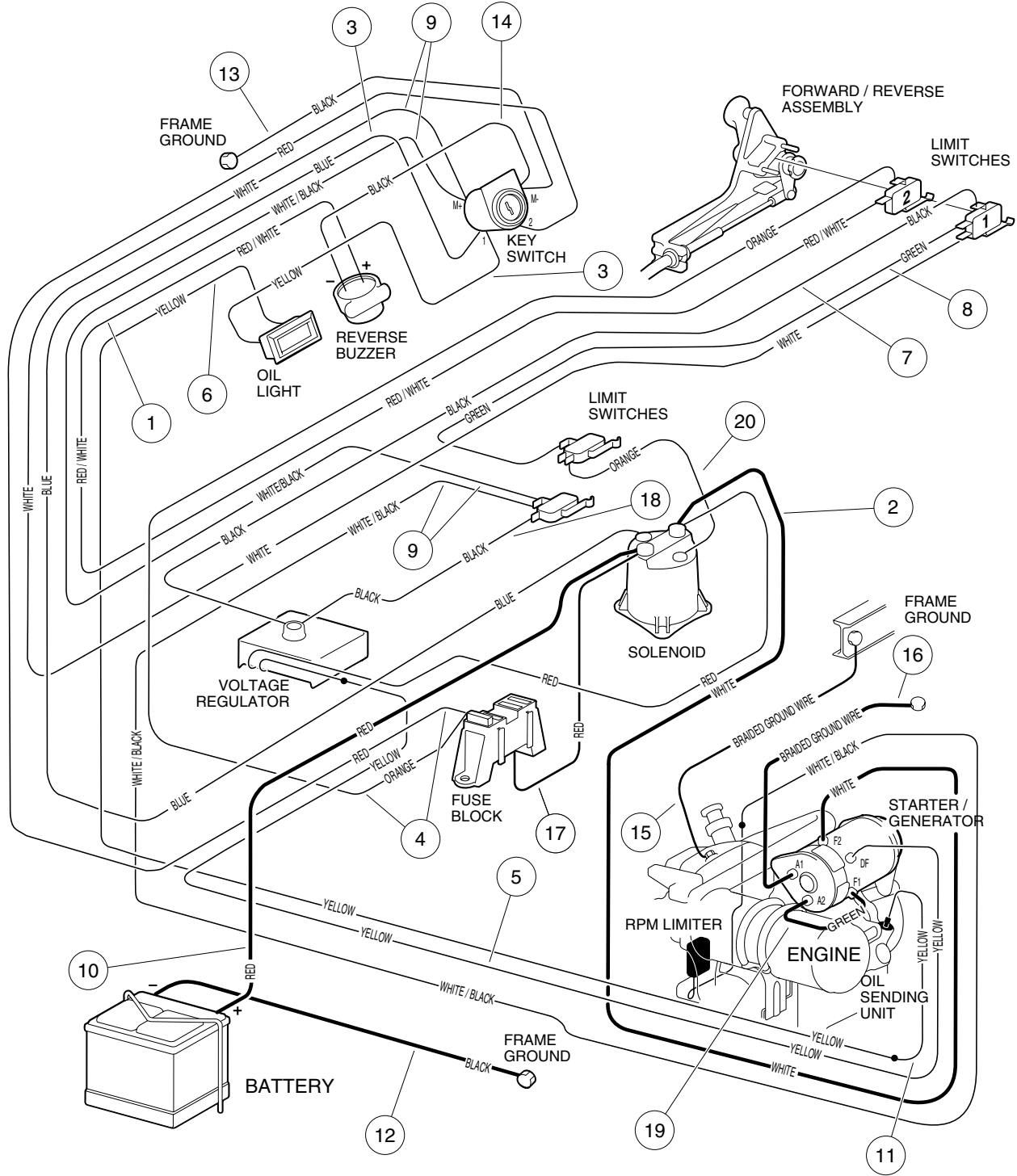


# **ELECTRICAL SYSTEM GASOLINE VEHICLE**

---

**6**

**G**



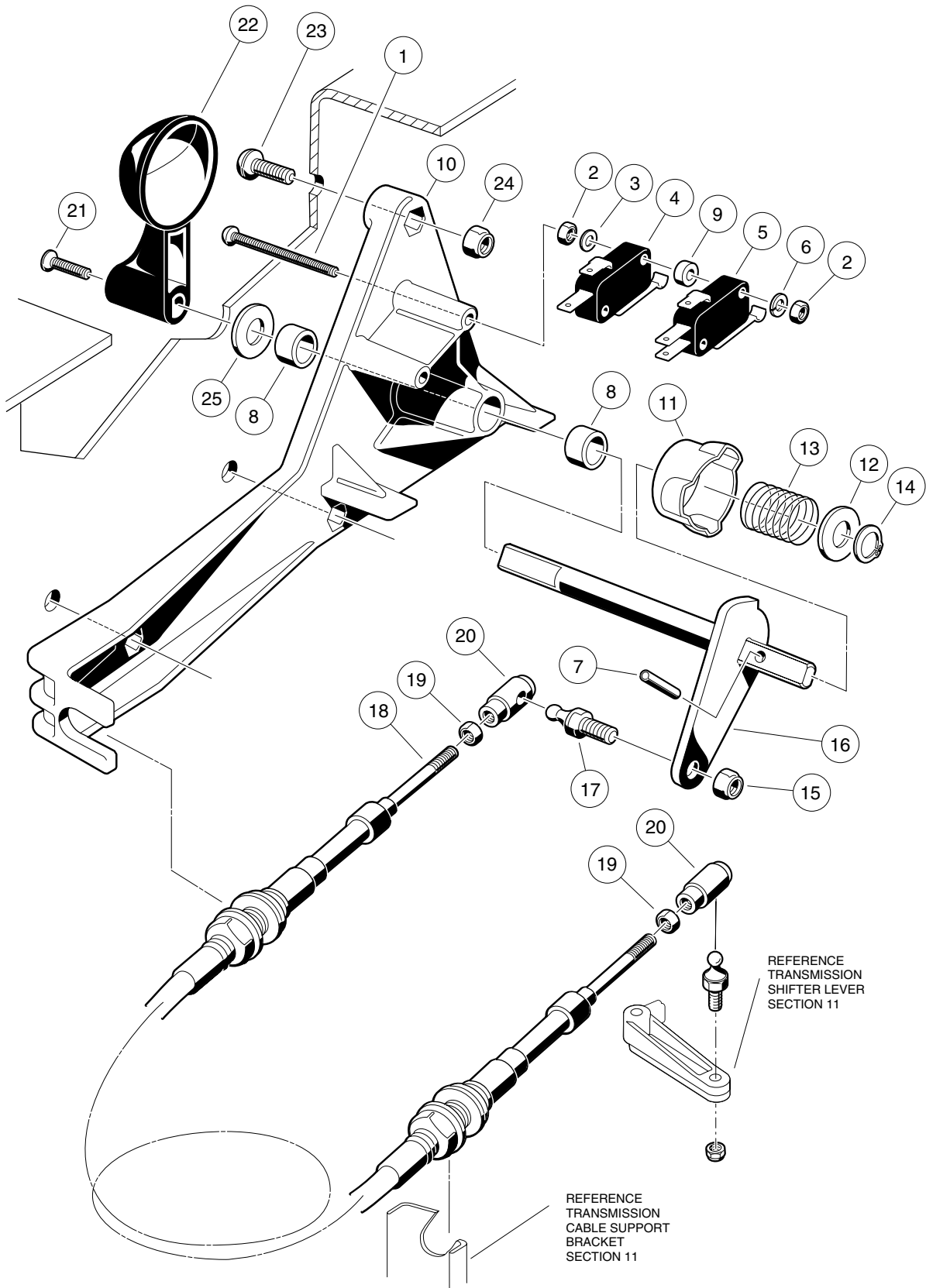


# WIRING - GASOLINE VEHICLE

**6**

**G**

ITEM	PART NO.	DESCRIPTION	QTY
		1 2 3 4	
	1018893-02	WIRE HARNESS (INCLUDES ITEMS 1 - 11) .....	1
1	1013723	WIRE ASSEMBLY, #18 RED/WHITE .....	1
2	1015769	WIRE ASSEMBLY, #6 WHITE .....	1
3	1013601	WIRE ASSEMBLY, #18 YELLOW AND #16 BLUE .....	1
4	1018282-01	WIRE ASSEMBLY, #16 RED AND #16 ORANGE .....	1
5	1015738	WIRE ASSEMBLY, #16 YELLOW .....	1
6	1018930-01	WIRE ASSEMBLY, #18 YELLOW .....	1
7	1015780	WIRE ASSEMBLY, #18 BLACK .....	1
8	1015779	WIRE ASSEMBLY, #18 GREEN .....	1
9	1015781	WIRE ASSEMBLY, #18 WHITE/BLACK AND #18 WHITE .....	1
10	1014119	WIRE ASSEMBLY, #6 RED .....	1
11	1018850-01	WIRE ASSEMBLY, #18 YELLOW .....	1
12	1012382	WIRE ASSEMBLY, #6 BLACK .....	1
13	1012396	WIRE ASSEMBLY, #18 BLACK .....	1
14	1016857	WIRE ASSEMBLY, #18 BLACK (PART OF REVERSE BUZZER KIT) .....	1
15	1015332	WIRE ASSEMBLY, #10 BRAIDED GROUND .....	1
16	1015920	WIRE ASSEMBLY, #6 BRAIDED GROUND .....	1
17	1015737	WIRE ASSEMBLY, #10 RED (PART OF THE ELCTRICAL COMPONENT BOX) .....	1
18	1016402	WIRE ASSEMBLY, #18 BLACK (PART OF THE ELCTRICAL COMPONENT BOX) .....	1
19	1018373-01	WIRE ASSEMBLY, #6 GREEN .....	1
20	1016401	WIRE ASSEMBLY, #18 ORANGE (PART OF THE ELCTRICAL COMPONENT BOX) .....	1

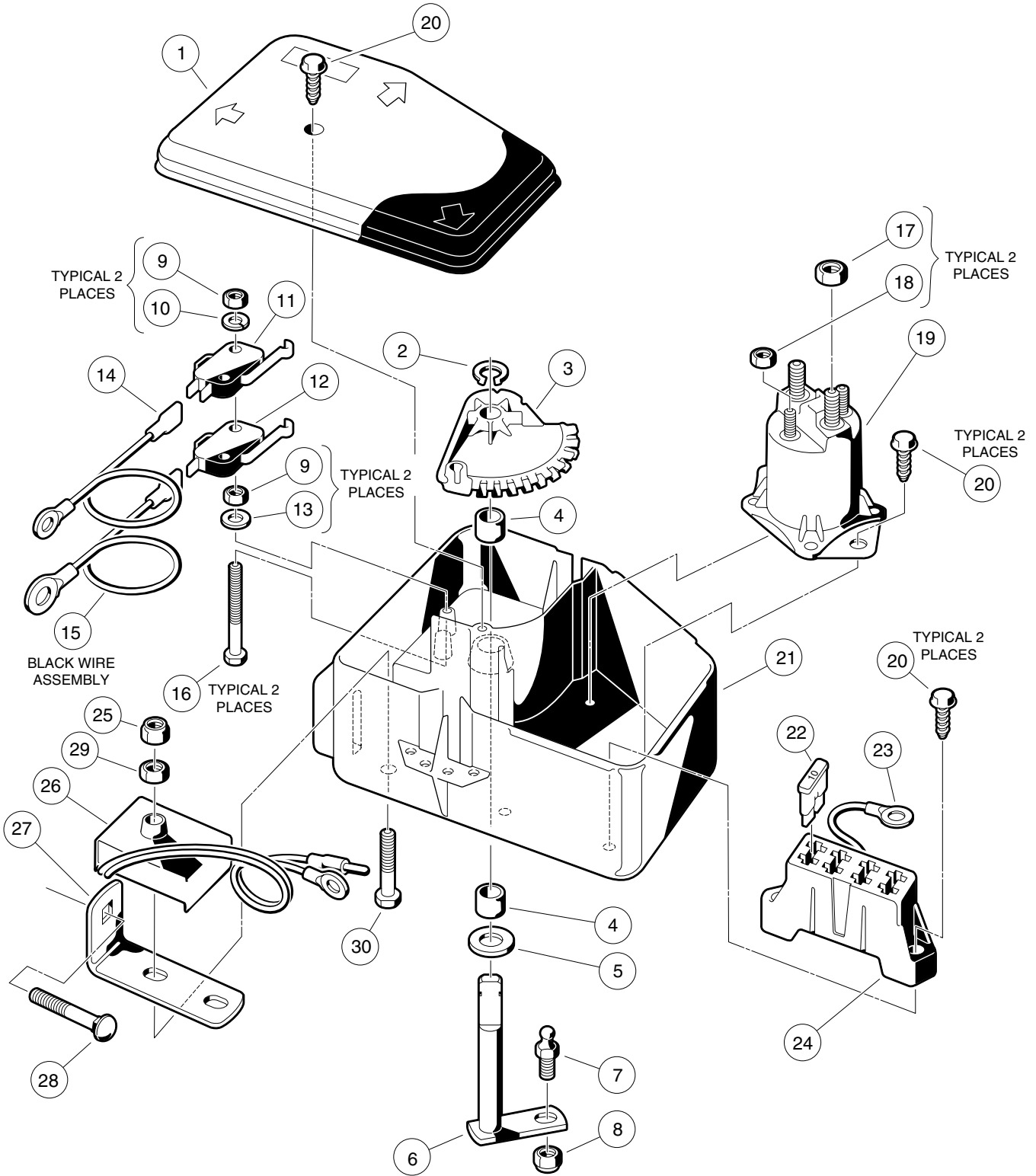


# FORWARD AND REVERSE SHIFTER ASSEMBLY GASOLINE VEHICLE

**6**

**G**

ITEM	PART NO.	DESCRIPTION	QTY
		1 2 3 4	
	1016947	ASSEMBLY, FORWARD AND REVERSE SHIFTER (INCLUDES ITEMS 1 - 17) .....	1
1	1012594	SCREW, MACHINE, #4 - 40 x 1 1/2 .....	2
2	0008057	NUT, HEX HEAD, #4 - 40 .....	4
3	1012431	WASHER, FLAT, #4 .....	2
4	1014808	SWITCH, LIMIT .....	1
5	1014807	SWITCH, LIMIT .....	1
6	0008058	WASHER, LOCK, #4 .....	2
7	1013591	PIN, ROLL, 1/8 .....	1
8	1014145	BUSHING, BRONZE .....	2
9	1014727	WASHER, NYLON FLAT, #4 .....	2
10	1016342	BASE, FORWARD AND REVERSE SHIFTER .....	1
11	1014089	KIT, NEUTRAL LOCK-OUT CAM (INCLUDES ITEM 12) .....	1
12	1014065	WASHER, FLAT .....	1
13	1013590	SPRING, FORWARD AND REVERSE CAM .....	1
14	1013589	RING, RETAINING .....	1
15	0008717	NUT, NYLON LOCK, 1/4 - 28 .....	2
16	1013587	WELDMENT, FORWARD AND REVERSE BELL CRANK .....	1
17	1010954	STUD, BALL, 1/4 - 28 x 1/4 .....	2
18	1013085	CABLE, TRANSMISSION (INCLUDES ITEMS 19 AND 20) .....	1
19	0007893	NUT, HEX, #10 - 32 .....	2
20	1012333	JOINT, BALL .....	2
21	1013198	SCREW, PHILLIPS OVAL COUNTERSUNK MACHINE, #8 - 32 x 5/8 .....	1
22	1012987	HANDLE, FORWARD AND REVERSE SWITCH .....	1
23	0008248	SCREW, PHILLIPS TRUSS HEAD, 1/4 - 20 x 3/4 .....	4
24	0008233	NUT, NYLON LOCK, 1/4 - 20 .....	4
25	1014065	WASHER, FLAT .....	1

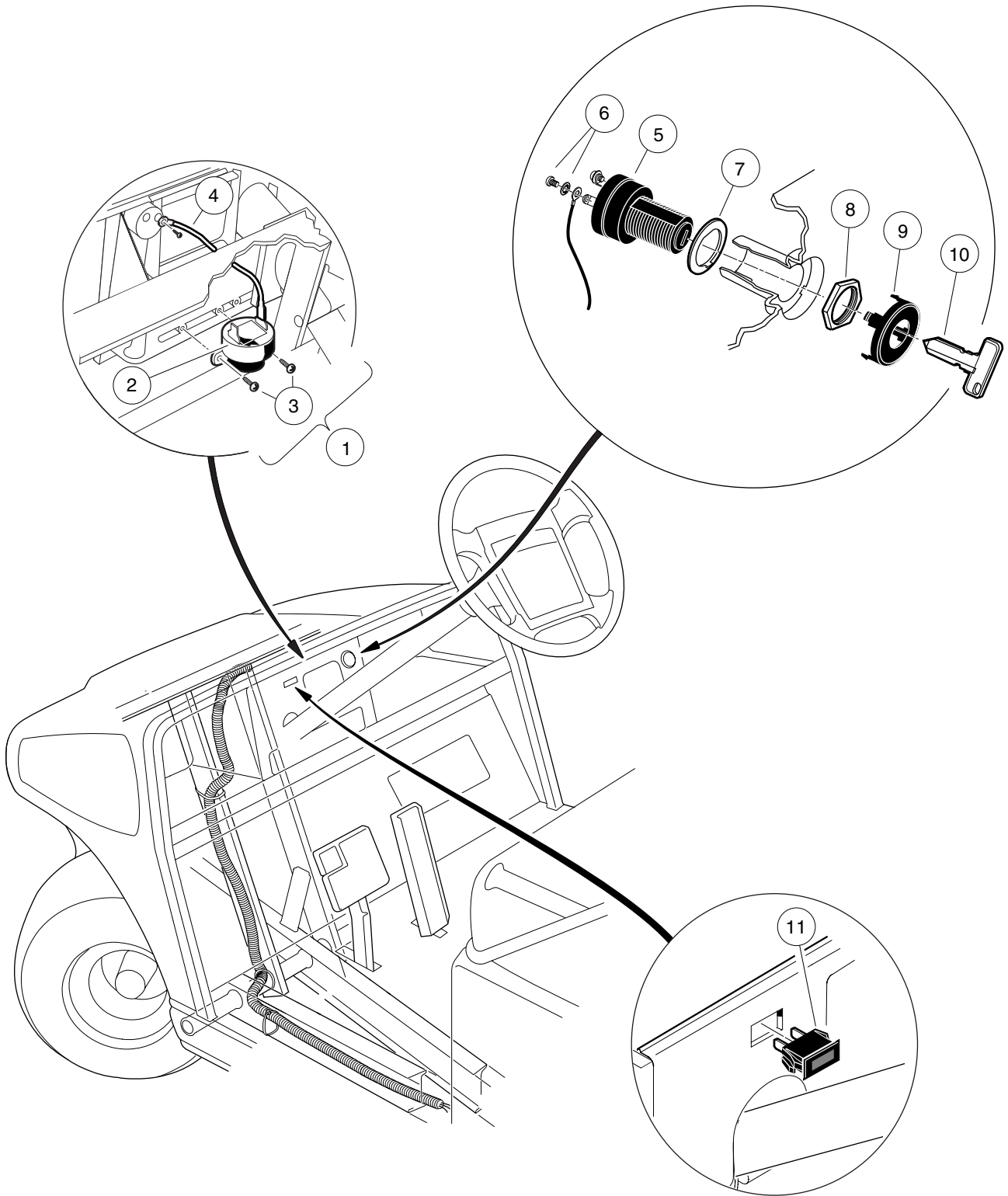


# ELECTRICAL COMPONENT BOX GASOLINE VEHICLE

**6**

**G**

ITEM	PART NO.	DESCRIPTION	QTY
		1 2 3 4	
	1018276-01	BOX, ELECTRICAL COMPONENT, COMPLETE (INCLUDES ITEMS 1 - 30 AND 1018893-02 - SEE PAGE 6-3) .....	1
1	1015372	COVER, ELECTRICAL COMPONENT BOX .....	1
2	1013589	RING, RETAINING .....	1
3	1015373	CAM, ELECTRICAL BOX .....	1
4	1014145	BUSHING, BRONZE .....	2
5	1014065	WASHER, FLAT .....	1
6	1018213-01	ASSEMBLY, BELL CRANK SHAFT .....	1
7	1010954	STUD, BALL, 1/4 - 28 .....	1
8	0008717	NUT, NYLON LOCK, 1/4 - 28 .....	1
9	0008057	NUT, HEX, #4 - 40 .....	4
10	0008058	WASHER, LOCK, #4 .....	2
11	1014807	SWITCH, LIMIT .....	1
12	1014808	SWITCH, LIMIT .....	1
13	1012431	WASHER, FLAT, #4 .....	2
14	1016401	WIRE ASSEMBLY, #16 ORANGE .....	1
15	1016402	WIRE ASSEMBLY, #16 BLACK .....	1
16	1015878	SCREW, HEX HEAD MACHINE, #4 - 40 x 1 5/8 .....	2
17	0001242	NUT, HEX, 5/16 - 18 .....	2
18	0007893	NUT, HEX, #10 - 32 .....	2
19	1013609	SOLENOID, 12 VOLT .....	1
20	1015752	SCREW, HILO, #12 - 16 x 5/8 .....	5
21	1015371	BOX, ELECTRICAL COMPONENT .....	1
22	1012295	FUSE, 10 AMP .....	1
23	1015737	WIRE ASSEMBLY, #10 RED .....	1
24	1015741	BLOCK, FUSE .....	1
25	0008233	NUT, NYLON LOCK, 1/4 - 20 .....	1
26	1015777	ASSEMBLY, VOLTAGE REGULATOR .....	1
27	1015343	STRAP, GROUND .....	1
28	1015405	BOLT, CARRIAGE, 5/16 - 18 x 2 .....	1
29	1015919	NUT, HEX JAM, 1/4 - 20 .....	1
30	1013509	SCREW, HEX HEAD CAP, 1/4 - 20 x 1 3/4 .....	1

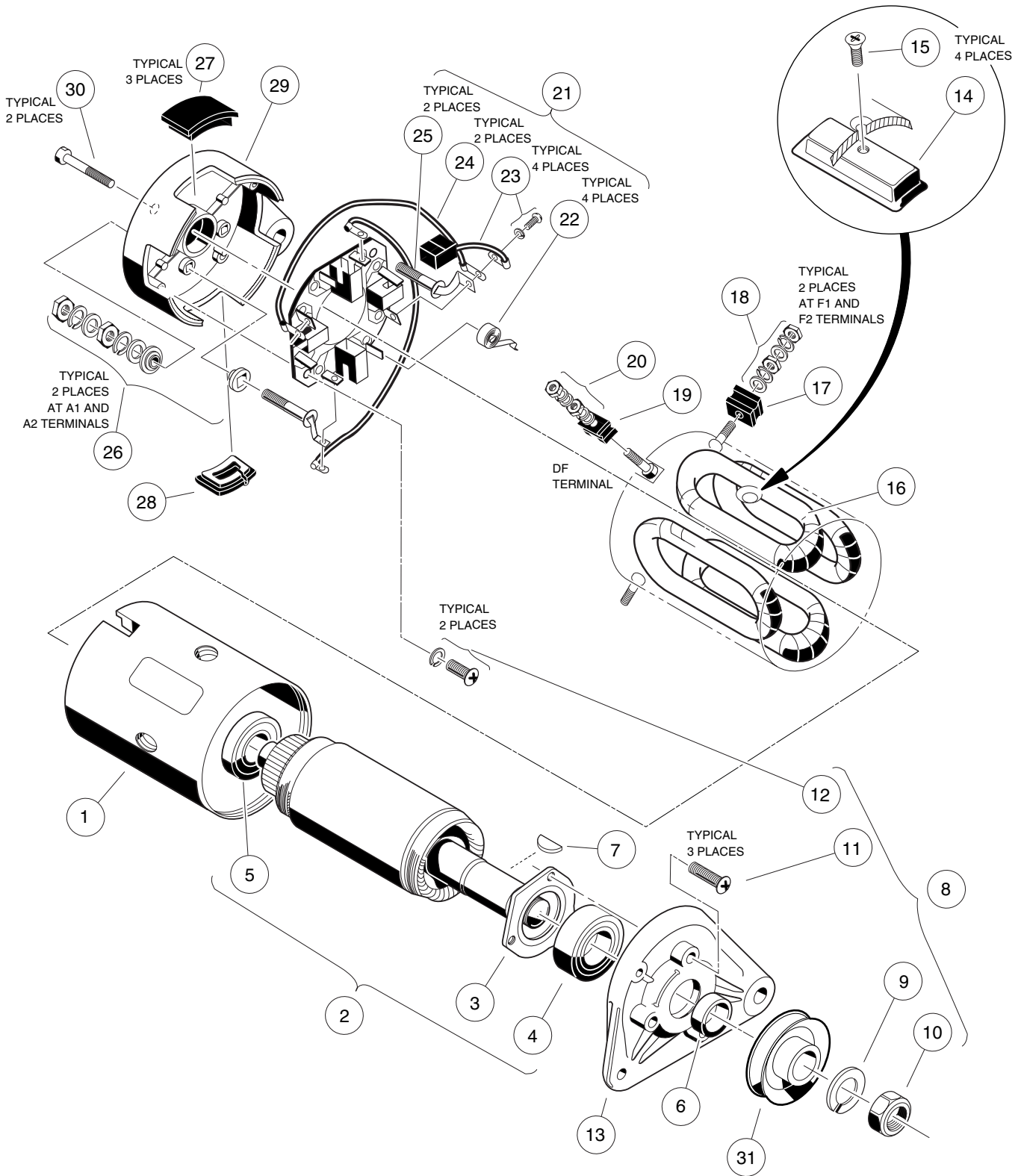


# ELECTRICAL COMPONENTS GASOLINE VEHICLE

**6**

**G**

ITEM	PART NO.	DESCRIPTION	QTY
		1 2 3 4	
1	1016859	KIT, REVERSE BUZZER (INCLUDES ITEMS 2, 3 AND 4) .....	1
2	1016851	BUZZER, REVERSE .....	1
3	1016849	SCREW, PAN HEAD HI-LO, #4 - 24 x 5/16 .....	2
4	1016857	WIRE ASSEMBLY, #18 BLACK .....	1
5	1018263-01	SWITCH, KEY .....	1
6	1018306-01	ASSEMBLY, SCREW AND WASHER .....	4
7	1018511-01	WASHER .....	1
8	1018307-01	NUT, KEY SWITCH .....	1
9	1018345-02	CAP, KEY SWITCH .....	1
10	1012505	KEY (PAIR) .....	1
11	1016630	LIGHT, OIL WARNING (WITH INTERNAL RESISTOR) .....	1



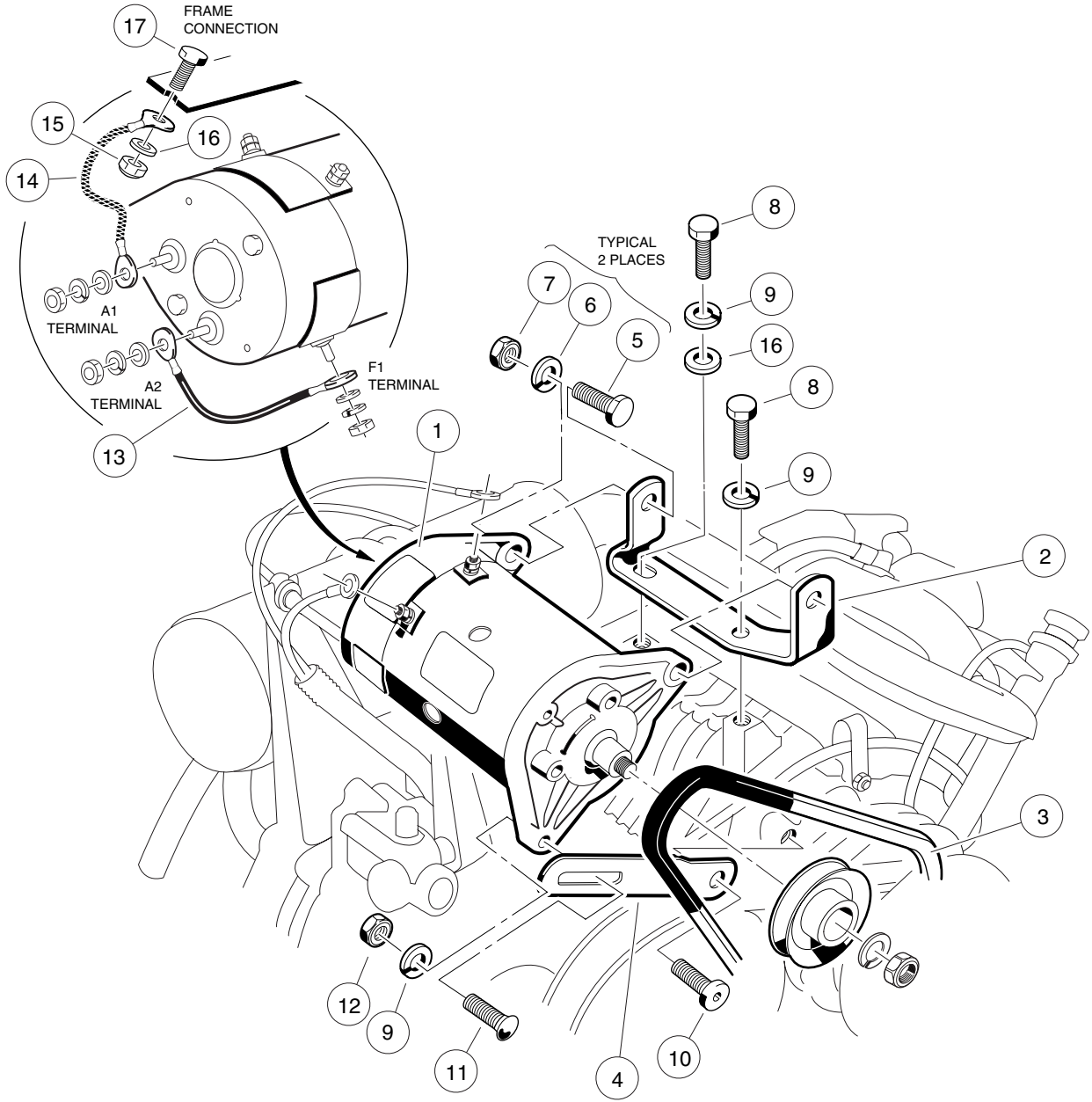


# STARTER/GENERATOR ASSEMBLY

6

G

ITEM	PART NO.	DESCRIPTION	QTY
		1 2 3 4	
	1018337-01	STARTER/GENERATOR (CLOCKWISE ROTATION) (INCLUDES ITEMS 1 - 30) .....	1
1	1018752-01	HOUSING, FIELD COIL .....	1
2	1018751-01	ASSEMBLY, ARMATURE (INCLUDES ITEMS 3, 4 AND 5) .....	1
3	1018750-01	RETAINER, BEARING .....	1
4	1013001	BALL BEARING, OUTPUT SHAFT .....	1
5	1013005	COMMUTATOR, BALL BEARING .....	1
6	1018748-01	SPACER .....	1
7	1013003	KEY, WOODRUFF .....	1
8	1018765-01	KIT, PULLEY NUT AND SCREW (INCLUDES ITEMS 9 - 12) .....	1
9	N/A	WASHER, LOCK, M14 .....	1
10	N/A	NUT, HEX, M14 x 2 .....	1
11	N/A	SCREW, CROSS - RECESSED, M5 x .8 x 18MM .....	3
12	1018965-01	SCREW, CROSS - RECESSED, M5 x .8 x 16MM (WITH LOCK WASHER) .....	2
13	1018749-01	END BELL, OUTPUT SHAFT .....	1
14	1018753-01	SET, POLE (SET OF 4) .....	1
15	1018754-01	SCREW, POLE PIECE (SET OF 4) .....	1
16	1018755-01	ASSEMBLY, FIELD COIL .....	1
17	1018756-01	SET, F MOLD .....	2
18	1018776-01	PACKAGE, TERMINAL HARDWARE (F1 AND F2) .....	2
19	1018757-01	SET, DF MOLD .....	1
20	1018777-01	PACKAGE, TERMINAL HARDWARE (DF) .....	1
21	1013011-02	HOLDER, BRUSH (INCLUDES ITEMS 22 - 25) .....	1
22	1018781-01	SPRING, BRUSH .....	4
23	1018693-02	PACKAGE, BRUSH (INCLUDES 4 BRUSHES, 4 SCREWS, 4 WASHERS) .....	1
24	1018762-02	ASSEMBLY, BRUSH CONNECTOR .....	2
25	1018758-02	A CONNECTOR (SET OF 2) .....	1
26	1018760-01	PACKAGE, TERMINAL HARDWARE (A1 AND A2) .....	2
27	1018763-01	COVER, BRUSH INSPECTION PORT (SET OF 4) (INCLUDES ITEM 28) .....	1
28	1017653	COVER, BRUSH INSPECTION PORT, WITH DRAIN .....	1
29	1018764-02	END BELL, COMMUTATOR .....	1
30	1018790-01	BOLT, CLAMP, M6 x 1 x 180MM .....	2
31	1014289	PULLEY .....	1

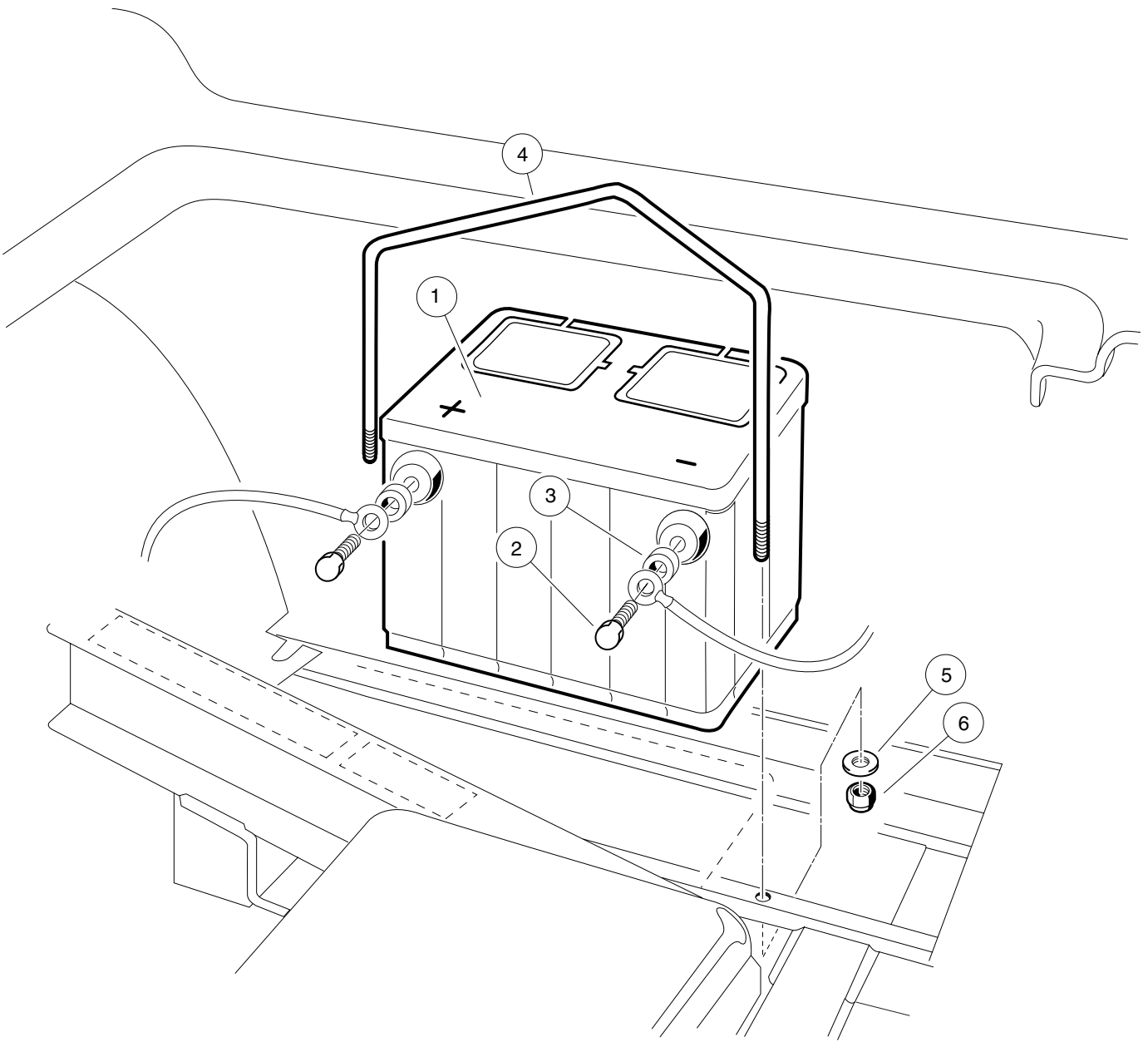


# STARTER/GENERATOR MOUNTING

6

G

ITEM	PART NO.	DESCRIPTION	QTY
		1 2 3 4	
1	1018337-01	STARTER/GENERATOR .....	1
2	1015240-01	BRACKET, MOUNTING, FE 290 .....	1
3	1019167-01	BELT .....	1
4	1016883	BRACKET, ADJUSTING .....	1
5	0000705	SCREW, HEX HEAD CAP, 3/8 - 16 x 1 1/4 .....	2
6	0000357	WASHER, LOCK, 3/8 .....	2
7	0000706	NUT, HEX, 3/8 - 16 .....	2
8	1019035-01	SCREW, HEX HEAD CAP, M8 x 1.25 x 24MM .....	2
9	0007174	WASHER, LOCK, 5/16 .....	3
10	1016074	SCREW, TORX HEAD, M8 x 1.25 x 18MM .....	1
11	1015932	BOLT, CARRIAGE, 5/16 - 18 x 1 .....	1
12	0001242	NUT, HEX, 5/16 - 18 .....	1
13	1018373-01	WIRE ASSEMBLY, #6 GREEN .....	1
14	1015920	WIRE ASSEMBLY, #6 BRAIDED GROUND .....	1
15	0007473	NUT, NYLON LOCK, 5/16 - 18 .....	1
16	0001241	WASHER, FLAT, 5/16 .....	2
17	0007173	SCREW, HEX HEAD CAP, 5/16 - 18 x 3/4 .....	1



# BATTERY MOUNTING - GASOLINE VEHICLE

6

G

ITEM	PART NO.	DESCRIPTION	QTY
		1 2 3 4	
1	1012328	BATTERY, 12 VOLT .....	1
2	1014375	SCREW, HEX HEAD CAP, STAINLESS STEEL, 3/8 - 16 x 1/2 .....	2
3	1014374	SPACER, BATTERY TERMINAL BOLT .....	2
4	1013882	HOLD-DOWN, BATTERY, STAINLESS STEEL .....	1
5	1011964	WASHER, FLAT, STAINLESS STEEL, 1/4 .....	2
6	1015068	NUT, NYLON LOCK, STAINLESS STEEL, 1/4 - 20 .....	2

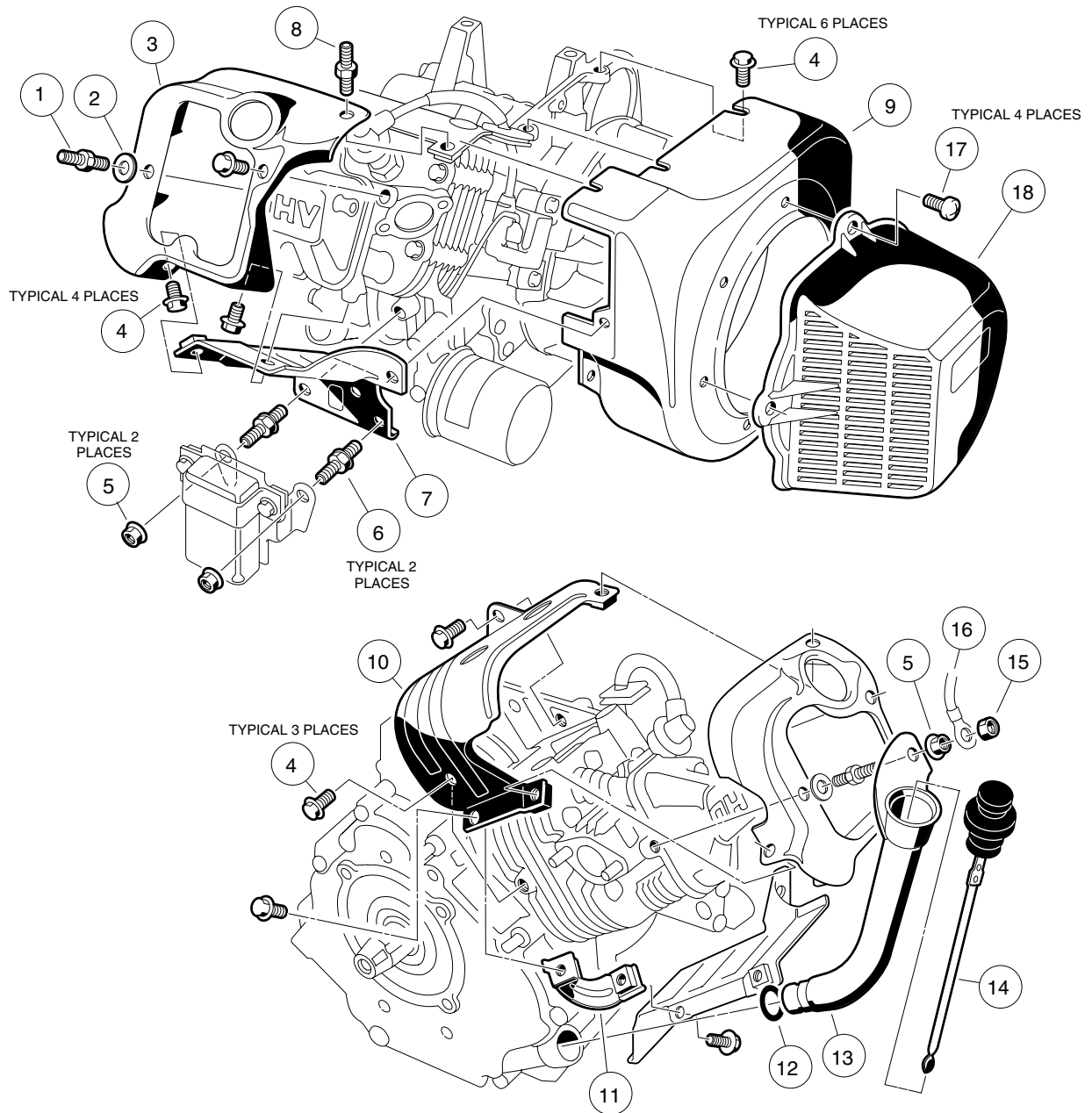


# ENGINE

---

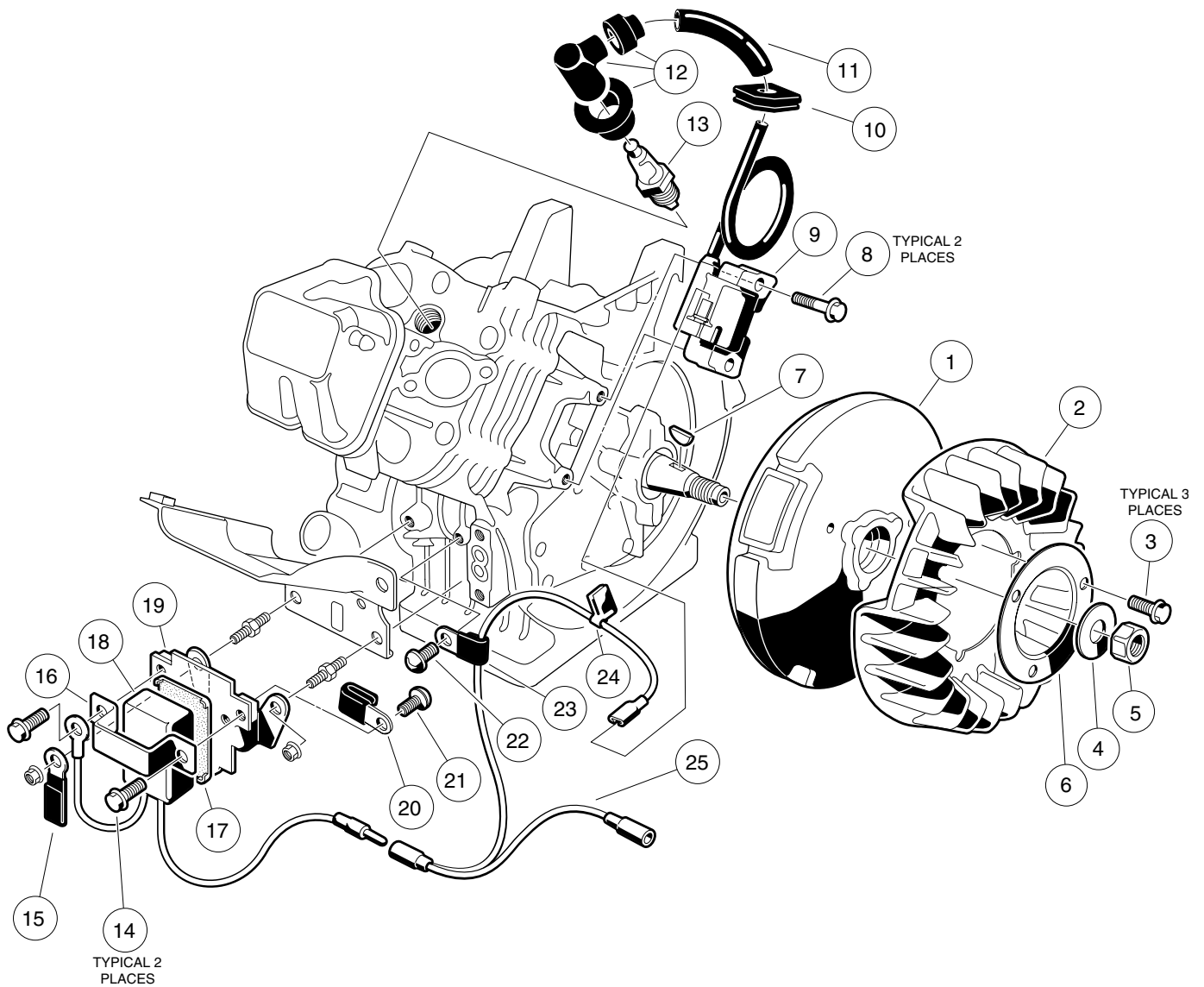
7

G

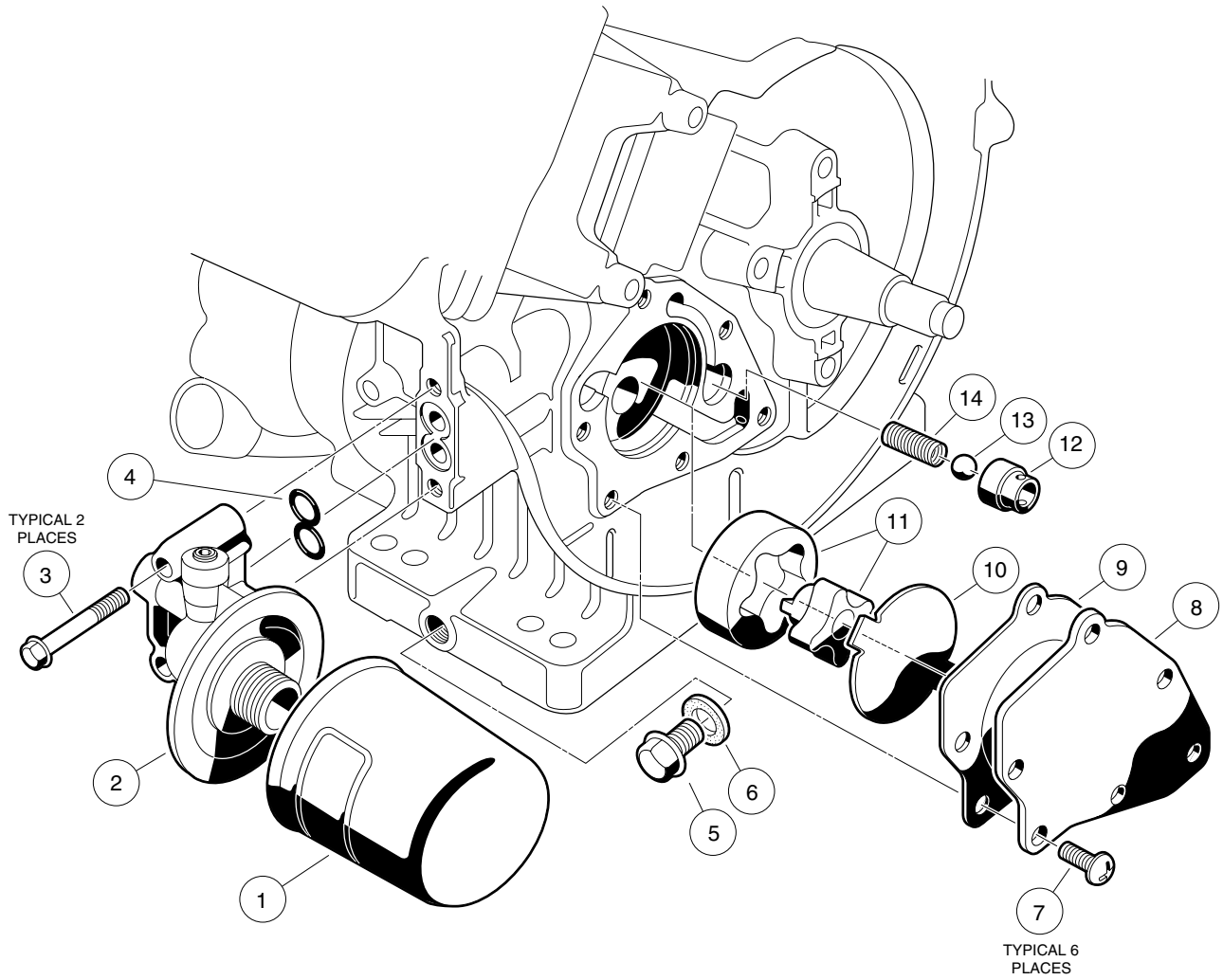




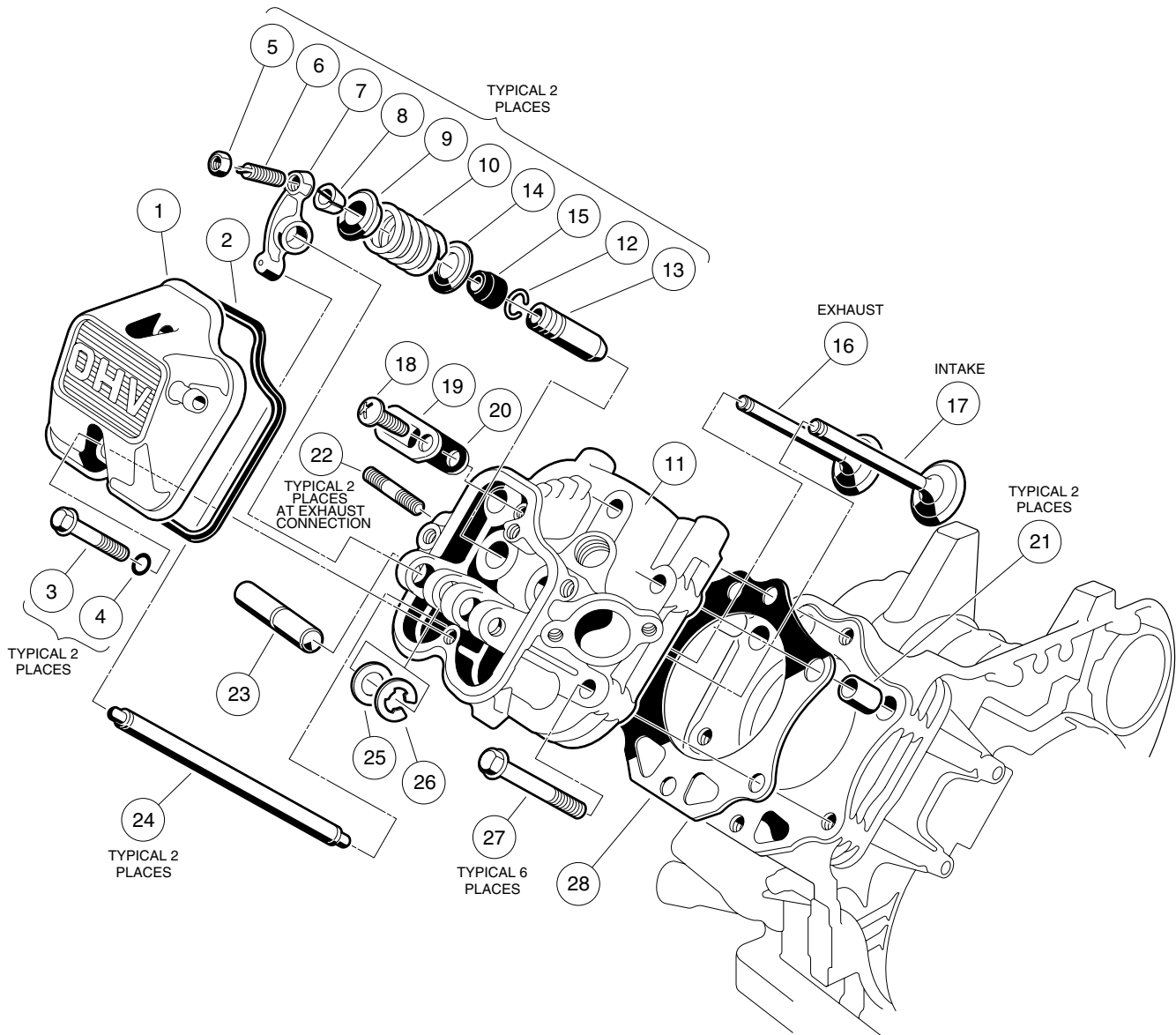
ITEM	PART NO.	DESCRIPTION	QTY
		1 2 3 4	
	1018335-01	FE 290 OHV GASOLINE ENGINE (CLOCKWISE ROTATION) (DOES NOT INCLUDE ITEMS 15 THRU 18) .....	1
1	1016507	BOLT, 2-ENDED, M6 x 1 x 29MM .....	1
2	1016512	WASHER, FLAT, 6MM .....	1
3	1016524	SHROUD, ENGINE, FE 290 .....	1
4	1016456	BOLT, FLANGED, M6 x 1 x 12MM .....	15
5	1016547	NUT, M6 x 1 .....	3
6	1019097-01	BOLT, 2-ENDED, M6 x 1 x 27MM .....	1
7	1016526	SHROUD, ENGINE, FE 290 (LOWER) .....	1
8	1017221	SCREW, 2-ENDED, M6 x 1 x 46MM .....	1
9	1019156-01	HOUSING, FAN .....	1
10	1016525	SHROUD, ENGINE, FE 290 (UPPER) .....	1
11	1016443	BRACKET .....	1
12	1016539	O-RING .....	1
13	1016536	TUBE, OIL FILLER, FE 290 .....	1
14	1016531	DIPSTICK .....	1
15	1011114	NUT, M6 x1 .....	1
16	1015332	WIRE ASSEMBLY, #10 BRAIDED GROUND .....	1
17	1015969	SCREW, PAN HEAD, M6 x 1 x 14MM .....	4
18	1015649	SHROUD, FAN .....	1



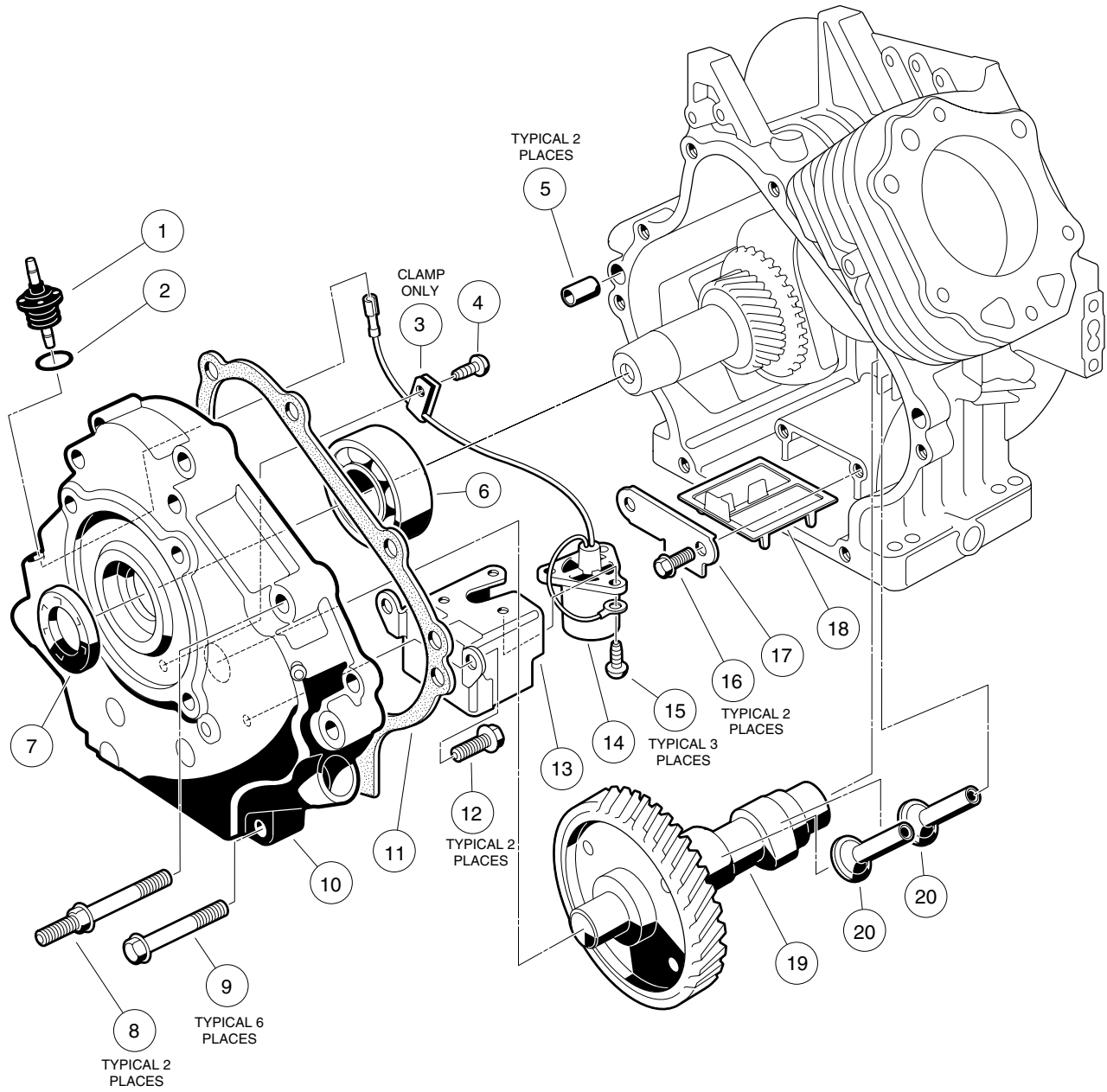
ITEM	PART NO.	DESCRIPTION	QTY
		1 2 3 4	
1	1019157-01	FLYWHEEL .....	1
2	1019158-01	FAN, FLYWHEEL, GRAY .....	1
3	1017448	SCREW, FLANGED HEX HEAD, M6 x 1 x 10MM .....	3
4	1016548	WASHER, FLAT, 16MM .....	1
5	1016505	NUT, HEX, M16 x 2 .....	1
6	1017455	PLATE, FLYWHEEL FAN .....	1
7	1016562	KEY .....	1
8	1016455	BOLT, FLANGED, M5 x .8 x 25MM .....	2
9	1019092-01	COIL, IGNITION .....	1
10	1016578	GROMMET .....	1
11	1016588	TUBE, 7MM x 70MM .....	1
12	1016493	ASSEMBLY, PLUG CAP .....	1
13	1016111	SPARK PLUG - OHV .....	1
14	1016456	BOLT, FLANGED, M6 x 1 x 12MM .....	2
15	1012981	CLAMP .....	1
16	1016579	MOUNT, RPM LIMITER .....	1
17	1016586	DAMPER, RPM LIMITER .....	1
18	1019094-01	LIMITER, RPM - OHV .....	1
19	1016445	BRACKET, RPM LIMITER .....	1
20	1019095-01	CLAMP .....	1
21	1016497	SCREW, CROSS PAN HEAD, M5 x .8 x 8MM .....	1
22	1016544	SCREW, CROSS PAN HEAD SELF-TAPPING, M5 x .8 x 12MM .....	1
23	1016561	CLAMP .....	1
24	1016587	CLAMP .....	1
25	1019093-01	WIRE, LEAD .....	1



ITEM	PART NO.	DESCRIPTION	QTY
		1 2 3 4	
1	1016467	ASSEMBLY, OIL FILTER, OHV .....	1
2	1016502	BRACKET, OIL FILTER .....	1
3	1016457	BOLT, FLANGED HEX HEAD, M6 x 1 x 40MM .....	2
4	1016570	O-RING, OIL FILTER MOUNT .....	1
5	1016576	PLUG, DRAIN, FE 290 .....	1
6	1016432	GASKET, DRAIN PLUG .....	1
7	1016498	SCREW, CROSS PAN HEAD, M6 x 1 x 12MM .....	6
8	1016484	COVER, PUMP .....	1
9	1016435	GASKET, OIL PUMP .....	1
10	1016473	PLATE, OIL PUMP .....	1
11	1016482-03	PUMP, OIL, AND ROTOR .....	1
12	1016429	SEAT, VALVE .....	1
13	1016537	BALL, STEEL, PRESSURE RELIEF .....	1
14	1016581	SPRING .....	1

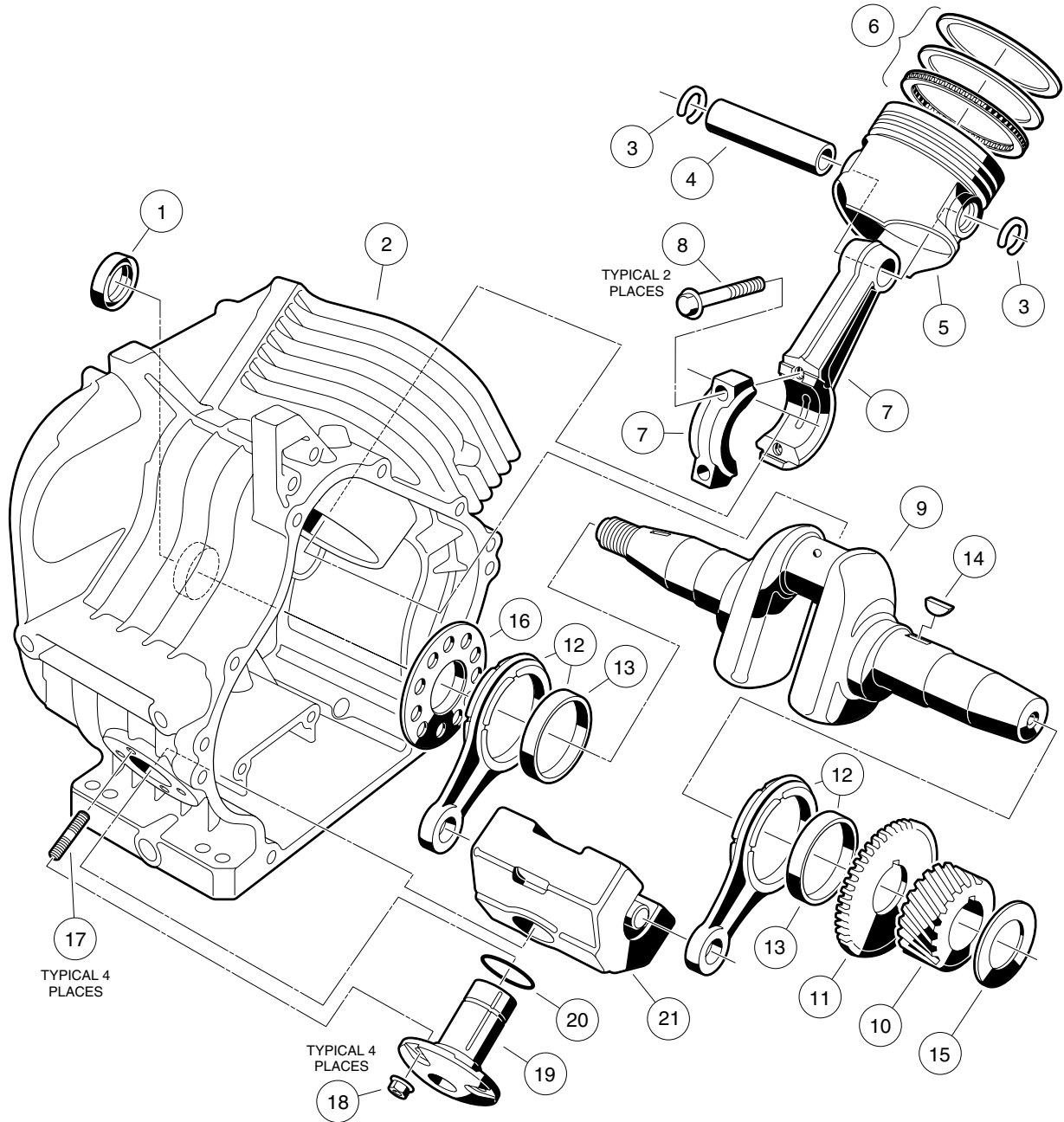


ITEM	PART NO.	DESCRIPTION	QTY
		1 2 3 4	
1	1016442	CASE, ROCKER .....	1
2	1016436	GASKET, ROCKER CASE .....	1
3	1016583	BOLT, FLANGED, M6 x 1 x 35MM .....	2
4	1016569	O-RING .....	2
5	1016545	NUT, HEX, M5 x .8 .....	2
6	1016542	SCREW, STUD, M5 x .8 .....	2
7	1016451	ARM, ROCKER .....	2
8	1016450	COLLET .....	2
9	1016449	RETAINER, VALVE SPRING .....	2
10	1016523	SPRING, ENGINE VALVE .....	2
11	1016431	ASSEMBLY, CYLINDER HEAD, OHV (INCLUDES ITEMS 12 AND 13) .....	1
12	1016560	RING, SNAP .....	2
13	1016519	GUIDE, VALVE .....	2
14	1016479	SEAT, SPRING .....	2
15	1016566	SEAL, VALVE .....	2
16	1016448	VALVE, EXHAUST .....	1
17	1016447	VALVE, INTAKE .....	1
18	1016544	SCREW, CROSS PAN HEAD SELF-TAPPING, M5 x .8 x 12MM .....	1
19	1016474	PLATE .....	1
20	1016483	VALVE .....	1
21	1016563	PIN .....	2
22	1016489	BOLT, STUD, M8 x 1.25 x 29MM .....	2
23	1016452	SHAFT, ROCKER .....	1
24	1016471	ROD, PUSH .....	2
25	1016549	WASHER, FLAT, M12 .....	1
26	1016517	CIRCLIP, TYPE E .....	1
27	1016458	BOLT, FLANGED, M8 x 1.25 x 45MM .....	6
28	1016430	GASKET, HEAD .....	1

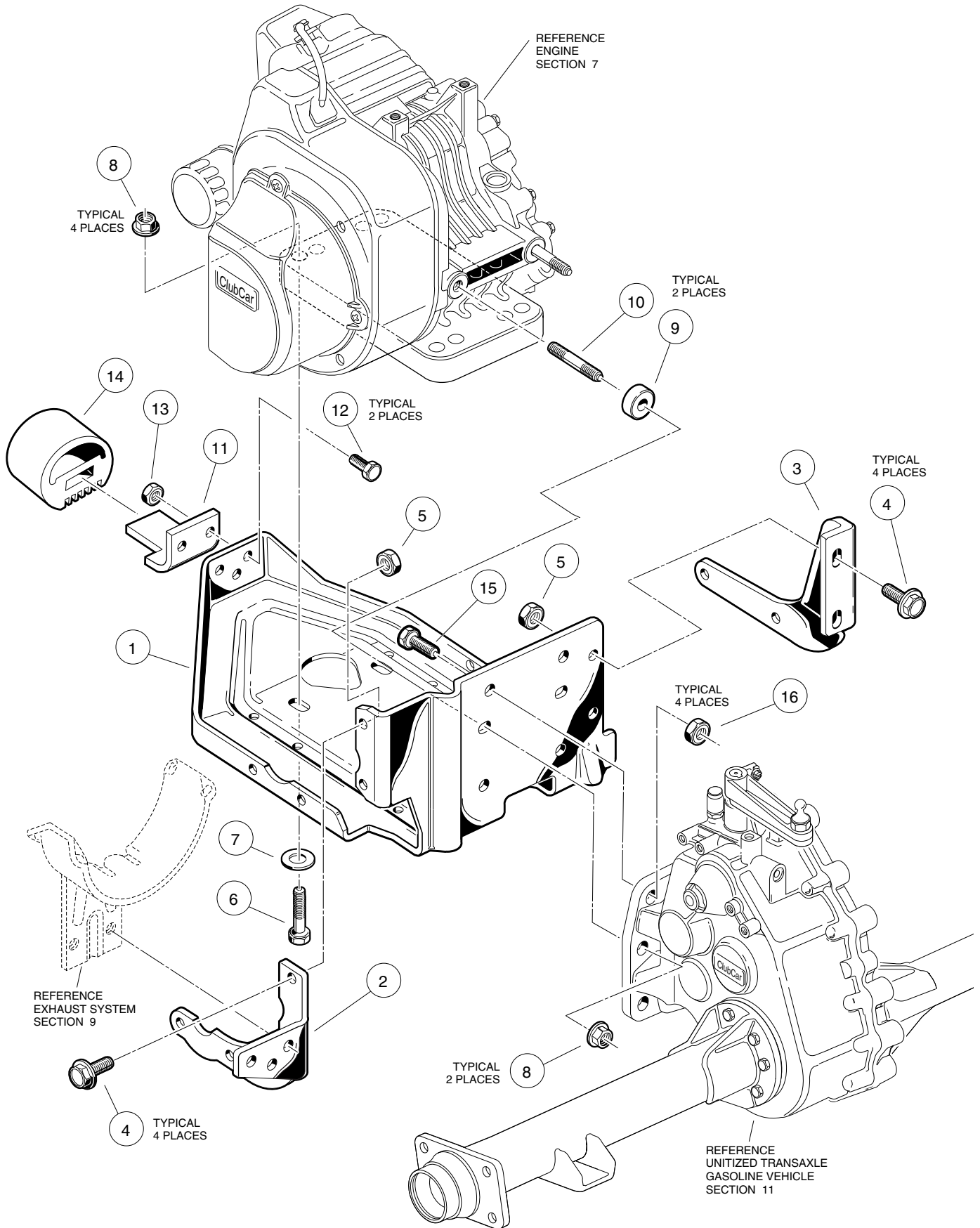




ITEM	PART NO.	DESCRIPTION	QTY
		1 2 3 4	
1	1016535	CONNECTOR, CORD .....	1
2	1016538	O-RING .....	1
3	1016506	CLAMP .....	1
4	1016544	SCREW, CROSS PAN HEAD SELF-TAPPING, M5 x .8 x 12MM .....	1
5	1016564	PIN .....	2
6	1016565	BEARING, BALL .....	1
7	1016567	SEAL, CRANKSHAFT .....	1
8	1016584	BOLT, 2-ENDED, M8 x 1.25 x 69MM .....	2
9	1016458	BOLT, FLANGED, M8 x 1.25 x 45MM .....	6
10	1016520	COVER, CRANKCASE .....	1
11	1016446	GASKET, CRANKCASE COVER .....	1
12	1016456	BOLT, FLANGED, M6 x 1 x 12MM .....	2
13	1016510	BRACKET, OIL LEVEL SWITCH .....	1
14	1016494	SENSOR, OIL LEVEL .....	1
15	1016496	SCREW, CROSS PAN HEAD, M4 x .7 x 8MM .....	3
16	1016454	BOLT, FLANGED, M5 x .8 x 8MM .....	2
17	1016472	PLATE, OIL FILTER SCREEN .....	1
18	1016521	SCREEN, OIL FILTER .....	1
19	1019154-01	CAMSHAFT, COMPLETE .....	1
20	1016453	TAPPET .....	2



ITEM	PART NO.	DESCRIPTION	QTY
		1 2 3 4	
1	1016568	SEAL, OIL .....	1
2	1019155-01	CRANKCASE, COMPLETE, OHV .....	1
3	1016558	RING, SNAP .....	2
4	1016460	PIN, PISTON .....	1
5	1016459-01	PISTON, STANDARD .....	1
5	1016459-02	PISTON, .25MM OVERSIZED .....	1
5	1016459-03	PISTON, .50MM OVERSIZED .....	1
6	1016461-01	RING SET, PISTON, STANDARD .....	1
6	1016461-02	RING SET, PISTON, .25MM OVERSIZED .....	1
6	1016461-03	RING SET, PISTON, .50MM OVERSIZED .....	1
7	1016475-01	ASSEMBLY, CONNECTING ROD, STANDARD (INCLUDES 2 EACH OF ITEM 8) .....	1
7	1016475-02	ASSEMBLY, CONNECTING ROD, .50MM UNDERSIZED (INCLUDES 2 EACH OF ITEM 8) .....	1
8	1016509	BOLT, HEX HEAD, M7 x 1 x 36MM .....	2
9	1019233-01	CRANKSHAFT, OHV (INCLUDES ITEMS 10, 11 AND 12) .....	1
10	1016533	GEAR, HELICAL .....	1
11	1016532	GEAR, SPUR .....	1
12	1016516	ASSEMBLY, CONNECTING ROD (INCLUDES ITEM 13) .....	2
13	1016580	BEARING, PLAIN .....	2
14	1016562	KEY .....	1
15	1016550-01	SHIM, CRANKSHAFT, 1.13MM THICK .....	A/R
15	1016550-02	SHIM, CRANKSHAFT, 1.18MM THICK .....	A/R
15	1016550-03	SHIM, CRANKSHAFT, 1.23MM THICK .....	A/R
15	1016550-04	SHIM, CRANKSHAFT, 1.28MM THICK .....	A/R
15	1016550-05	SHIM, CRANKSHAFT, 1.33MM THICK .....	A/R
15	1016550-06	SHIM, CRANKSHAFT, 1.38MM THICK .....	A/R
15	1016550-07	SHIM, CRANKSHAFT, 1.43MM THICK .....	A/R
15	1016550-08	SHIM, CRANKSHAFT, 1.48MM THICK .....	A/R
15	1016550-09	SHIM, CRANKSHAFT, 1.53MM THICK .....	A/R
16	1016559	SPACER .....	1
17	1016541	BOLT, STUD, M6 x 1 x 22MM .....	4
18	1016547	NUT, FLANGED, M6 x 1 .....	4
19	1016470	SHAFT, GUIDE COUNTERBALANCE .....	1
20	1016571	O-RING .....	1
21	1016469	WEIGHT, COUNTERBALANCE .....	1



# ENGINE MOUNTING

7

G

ITEM	PART NO.	DESCRIPTION	QTY
		1 2 3 4	
1	1018271-01	PLATE, MOUNTING .....	1
2	1018327-01	STIFFENER, FLYWHEEL SIDE .....	1
3	1018326-01	STIFFENER, DRIVE CLUTCH SIDE .....	1
4	1018848-01	SCREW, HEX HEAD, 5/16 - 24 x 7/8 .....	8
5	1013924	NUT, HEX LOCK, 5/16 - 24 .....	8
6	1018559-01	SCREW, HEX HEAD CAP, M8 x 1.25 x 43MM .....	4
7	1012571	WASHER, HEAVY FLAT, 5/16 .....	4
8	1018330-01	NUT, FLANGE, M8 x 1.25 .....	6
9	1018321-01	SPACER .....	2
10	1018332-01	STUD, M8 x 1.25 .....	2
11	1018346-01	BRACKET, SNUBBER .....	1
12	1018347-01	SCREW, HEX HEAD CAP, 5/16 - 18 x 7/8 .....	2
13	0007473	NUT, NYLON LOCK, 5/16 - 18 .....	2
14	1012164	SNUBBER .....	1
15	1018333-01	SCREW, HEX HEAD CAP, M10 x 1.25 x 30MM .....	4
16	1018329-01	NUT, FLANGE, M10 x 1.25 .....	4

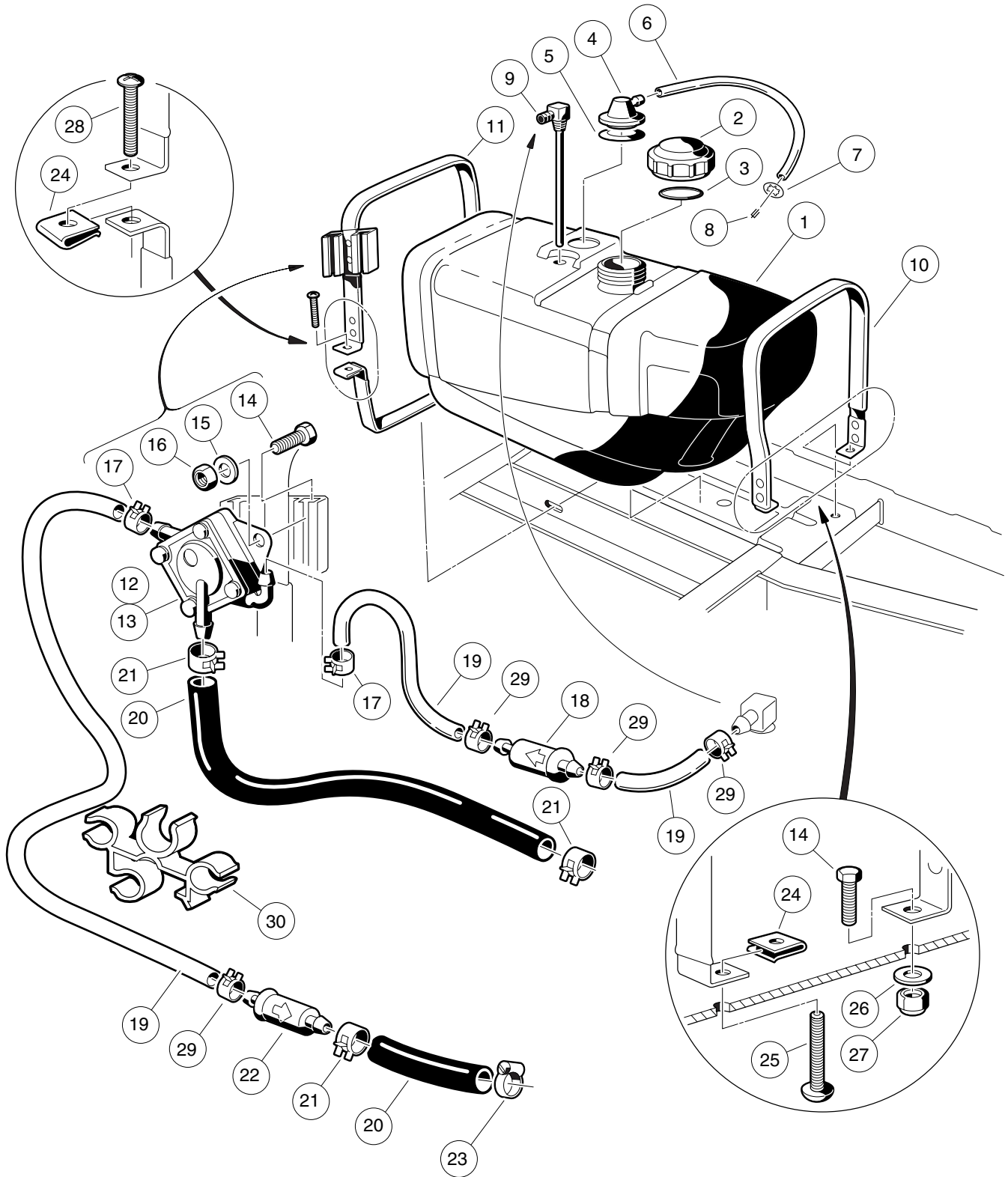


# FUEL, INTAKE, AND GOVERNOR SYSTEMS

---

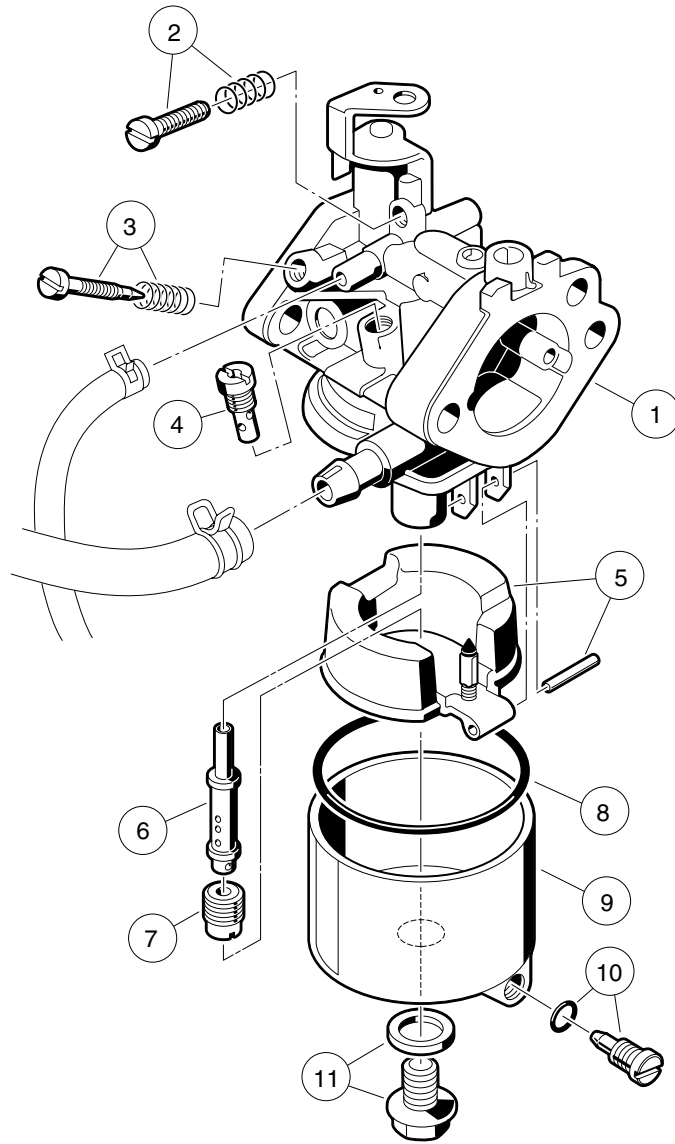
8

G





ITEM	PART NO.	DESCRIPTION	QTY
		1 2 3 4	
1	1016003	KIT, FUEL TANK, (INCLUDES ITEMS 2 - 9) .....	1
2	1015188	CAP, FUEL TANK, NONVENTED (INCLUDES GASKET) .....	1
3	1014535	GASKET, FUEL CAP .....	1
4	1015143	ASSEMBLY, FUEL TANK VENT .....	1
5	1015139	GROMMET, INSULATION .....	1
6	1015137	LINE, BULK (FUEL TANK VENT) .....	A/R
7	1016059	CLIP, STUD .....	1
8	1018244-01	BARB, VENT .....	1
9	1012619	TUBE, FUEL PICK-UP .....	1
10	1014928	ASSEMBLY, REAR FUEL STRAP .....	1
11	1014927	ASSEMBLY, FRONT FUEL STRAP .....	1
12	1014523	PUMP, FUEL IMPULSE, SQUARE BODY .....	1
13	1014524	PUMP, FUEL IMPULSE, SQUARE BODY REBUILD KIT .....	1
14	0007847	SCREW, HEX HEAD CAP, 1/4 - 20 x 3/4 .....	3
15	0000451	WASHER, LOCK, 1/4 .....	2
16	0001028	NUT, HEX, 1/4 - 20 .....	2
17	1013134-01	CLAMP, HOSE (BLACK) .....	2
18	1013684	FILTER , PRIMARY FUEL (WHITE) .....	1
19	1012293	LINE, BULK FUEL (YELLOW) .....	A/R
20	1013692	LINE, BULK FUEL (BLACK) .....	A/R
21	1012649	CLAMP, HOSE (RED) .....	3
22	1014522	FILTER, SECONDARY FUEL (BLUE) .....	1
23	1013687	CLAMP, HOSE, 3/8 .....	1
24	1014116	NUT, U-TYPE SPEED, 1/4 - 20 .....	2
25	1013176	SCREW, PHILLIPS TRUSS HEAD, 1/4 - 20 x 2 1/2 .....	1
26	0000332	WASHER, FLAT, 1/4 .....	1
27	0008233	NUT, NYLON LOCK, 1/4 - 20 .....	1
28	1011988	SCREW, PHILLIPS TRUSS HEAD, 1/4 - 20 x 2 .....	1
29	1013134-02	CLAMP, HOSE (GREEN) .....	4
30	1016666	CLIP, BLACK FUEL .....	2
	1015014	KIT, FUEL TANK SERVICE (INCLUDES ITEMS 10, 11, 14, 15, 16, 19, 20, 24, 26, 27 AND 28) .....	A/R

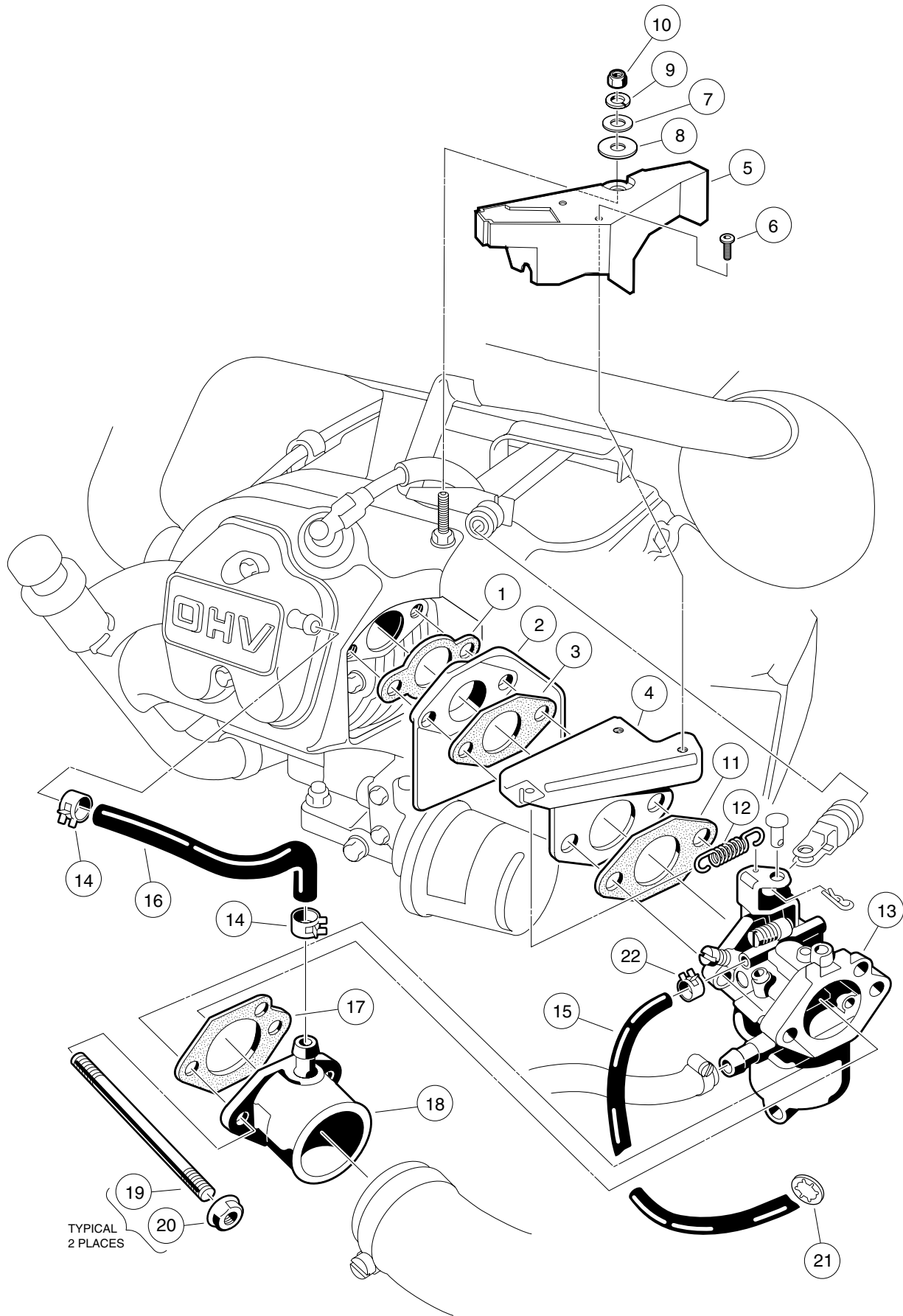


# CARBURETOR ASSEMBLY

8

G

ITEM	PART NO.	DESCRIPTION	QTY
		1 2 3 4	
1	1016478	ASSEMBLY, CARBURETOR (INCLUDES ITEMS 2 - 11) .....	1
2	1016501	ASSEMBLY, IDLE SCREW .....	1
3	1016500	ASSEMBLY, PILOT AIR SCREW .....	1
4	1016574	JET, PILOT, #45 .....	1
5	1016486	ASSEMBLY, FLOAT .....	1
6	1016530	NOZZLE, MAIN .....	1
		STANDARD JETTING:	
7	1016425-80	JET, MAIN, 0 - 3,000 FEET .....	A/R
7	1016425-78	JET, MAIN, 3,000 - 5,000 FEET .....	A/R
7	1016425-75	JET, MAIN, 5,000 - 8,000 FEET .....	A/R
7	1016425-72	JET, MAIN, 8,000 - 10,000 FEET .....	A/R
7	1016425-70	JET, MAIN, 10,000 FEET AND ABOVE .....	A/R
		BEST COLD STARTING:	
7	1016425-82	JET, MAIN, 0 - 3,000 FEET .....	A/R
7	1016425-80	JET, MAIN, 3,000 - 5,000 FEET .....	A/R
7	1016425-78	JET, MAIN, 5,000 - 8,000 FEET .....	A/R
7	1016425-75	JET, MAIN, 8,000 - 10,000 FEET .....	A/R
7	1016425-72	JET, MAIN, 10,000 FEET AND ABOVE .....	A/R
8	1016437	GASKET, FLOAT CHAMBER .....	1
9	1016487	ASSEMBLY, FLOAT CHAMBER (INCLUDES ITEM 10) .....	1
10	1016499	ASSEMBLY, SCREW .....	1
11	1016585	ASSEMBLY, BOLT .....	1



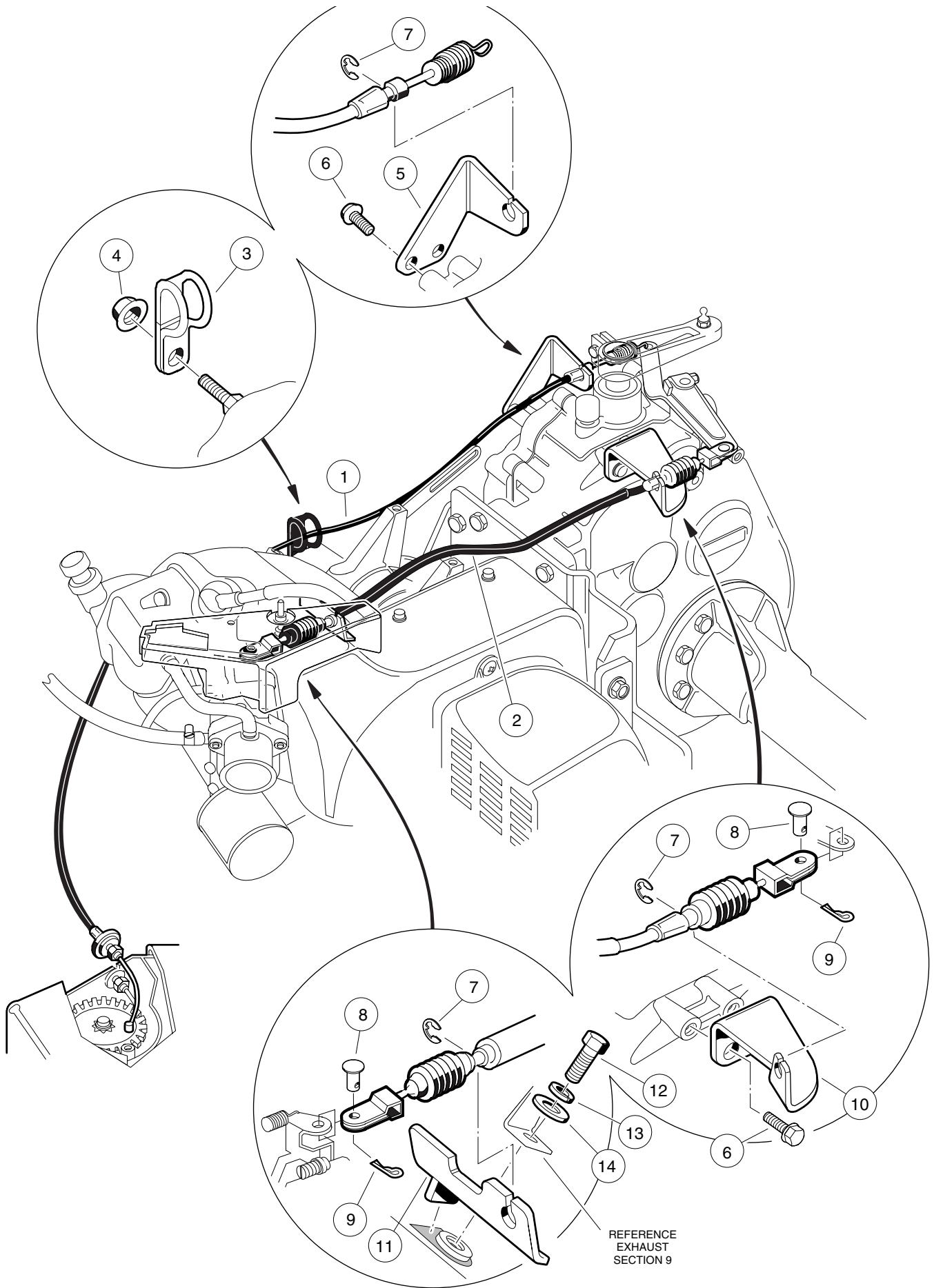
TYPICAL  
2 PLACES

# CARBURETOR INSTALLATION

8

G

ITEM	PART NO.	DESCRIPTION	QTY
		1 2 3 4	
1	1016440	GASKET, INSULATOR .....	1
2	1016481	INSULATOR, CARBURETOR .....	1
3	1016439	GASKET, CARBURETOR INSULATOR TO THROTTLE BRACKET .....	1
4	1016444	BRACKET, THROTTLE .....	1
5	1018202-01	GUARD, GOVERNOR .....	1
6	1016103	SCREW, PAN/TORX HEAD SELF-TAPPING, #6 - 32 x 1/4 .....	2
7	0000332	WASHER, FLAT, 1/4 .....	1
8	0000334	WASHER, FLAT, 3/8 .....	1
9	0000451	WASHER, LOCK, 1/4 .....	1
10	1018876-01	NUT, NYLON LOCK, M6 x 1 .....	1
11	1016441	GASKET, THROTTLE BRACKET TO CARBURETOR .....	1
12	1016582	SPRING, THROTTLE RETURN .....	1
13	1016478	ASSEMBLY, CARBURETOR .....	1
14	1017466	CLAMP, HOSE .....	2
15	1015877-01	TUBE, AIR VENT .....	1
16	1016572	TUBE, CRANKCASE VENT .....	1
17	1016438	GASKET, CARBURETOR TO INTAKE MANIFOLD .....	1
18	1016480	PIPE, INTAKE .....	1
19	1016490	SCREW, 2-ENDED STUD, M6 x 1 x 92MM .....	2
20	1016547	NUT, FLANGED, M6 x 1 .....	2
21	1016059	CLIP, STUD .....	1
22	1013746	CLAMP, HOSE .....	1

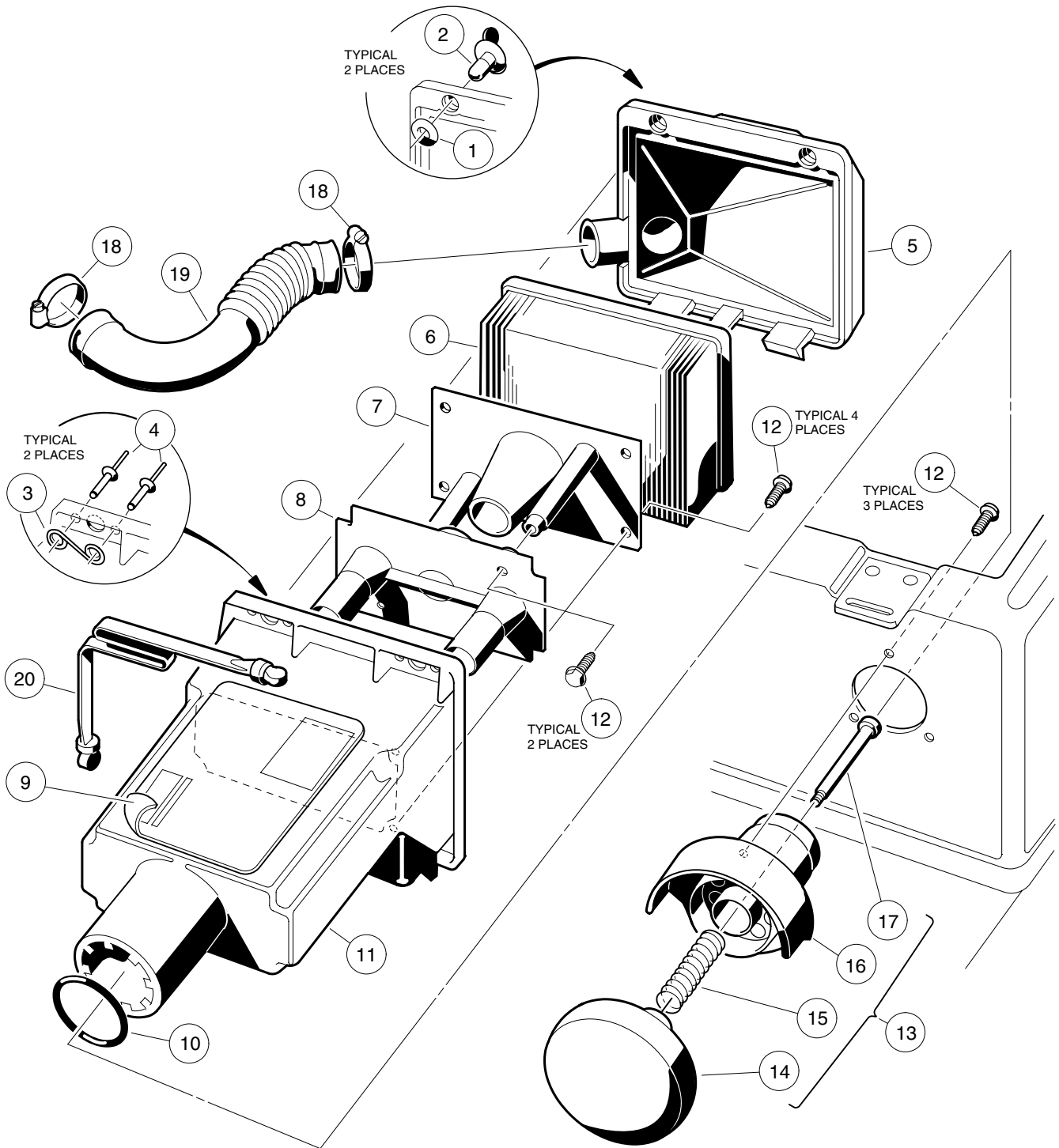


# GOVERNOR AND ACCELERATOR CABLES

8

G

ITEM	PART NO.	DESCRIPTION	QTY
		1 2 3 4	
1	1018325-01	CABLE, ACCELERATOR .....	1
2	1018324-01	CABLE, GOVERNOR .....	1
3	1013700	CLAMP, CABLE RETAINING .....	2
4	1016546	NUT, FLANGED HEX, M8 x 1.25 .....	2
5	1018323-01	BRACKET, ACCELERATOR SUPPORT .....	1
6	1012285	SCREW, THREAD ROLLING, 1/4 - 20 x 5/8 .....	4
7	1016202	"E" RING .....	3
8	1015408	PIN, GOVERNOR CABLE CLEVIS .....	2
9	1014413	PIN, HAIR SPRING COTTER, 1/8 I.D. x 5/8 .....	2
10	1018322-01	BRACKET, SUPPORT .....	1
11	1015845	BRACKET, GOVERNOR CABLE ENGINE .....	1
12	1019035-01	SCREW, HEX HEAD CAP, M8 x 1.25 x 24 MM .....	1
13	0007174	WASHER, LOCK, 5/16 .....	1
14	1011697	WASHER, FLAT, 5/16 .....	1





# EXPANSION CHAMBER, CHOKE, AND FILTER

ITEM	PART NO.	DESCRIPTION	QTY
		1 2 3 4	
	1015431	ASSEMBLY, INTAKE EXPANSION CHAMBER (INCLUDES ITEMS 1 - 12) .....	1
1	1015291	RETAINER, STUD, #6 .....	2
2	1015290	STUD, WING HEAD, #6 .....	2
3	1015292	SPRING, RECEPTACLE, #6 .....	2
4	1015727	RIVET, POP, 1/8 .....	4
5	1015293	COVER, EXPANSION CHAMBER .....	1
6	1015426	ELEMENT, AIR FILTER .....	1
7	1015542	BAFFLE, SECONDARY AIR BOX .....	1
8	1015541	BAFFLE, PRIMARY AIR BOX .....	1
9	1016062	DECAL, SERVICE .....	1
10	1015425	O-RING .....	1
11	1015540	CHAMBER, EXPANSION .....	1
12	1015289	SCREW, HI-LO HEX, #10 - 16 x 5/8 .....	9
13	1015745	ASSEMBLY, CHOKE (INCLUDES ITEMS 14 - 17) .....	1
14	1012629	COVER, CHOKE .....	1
15	1012633	SPRING, CHOKE .....	1
16	1015485	BASE, CHOKE .....	1
17	1012634	SCREW, HEX SOCKET HEAD SHOULDER, 1/4 - 20 x 2 .....	1
18	1015430	CLAMP, HOSE (AIR INTAKE) .....	2
19	1016228	HOSE, INTAKE .....	1
20	1015577	STRAP, EXPANSION CHAMBER RETENSION .....	1

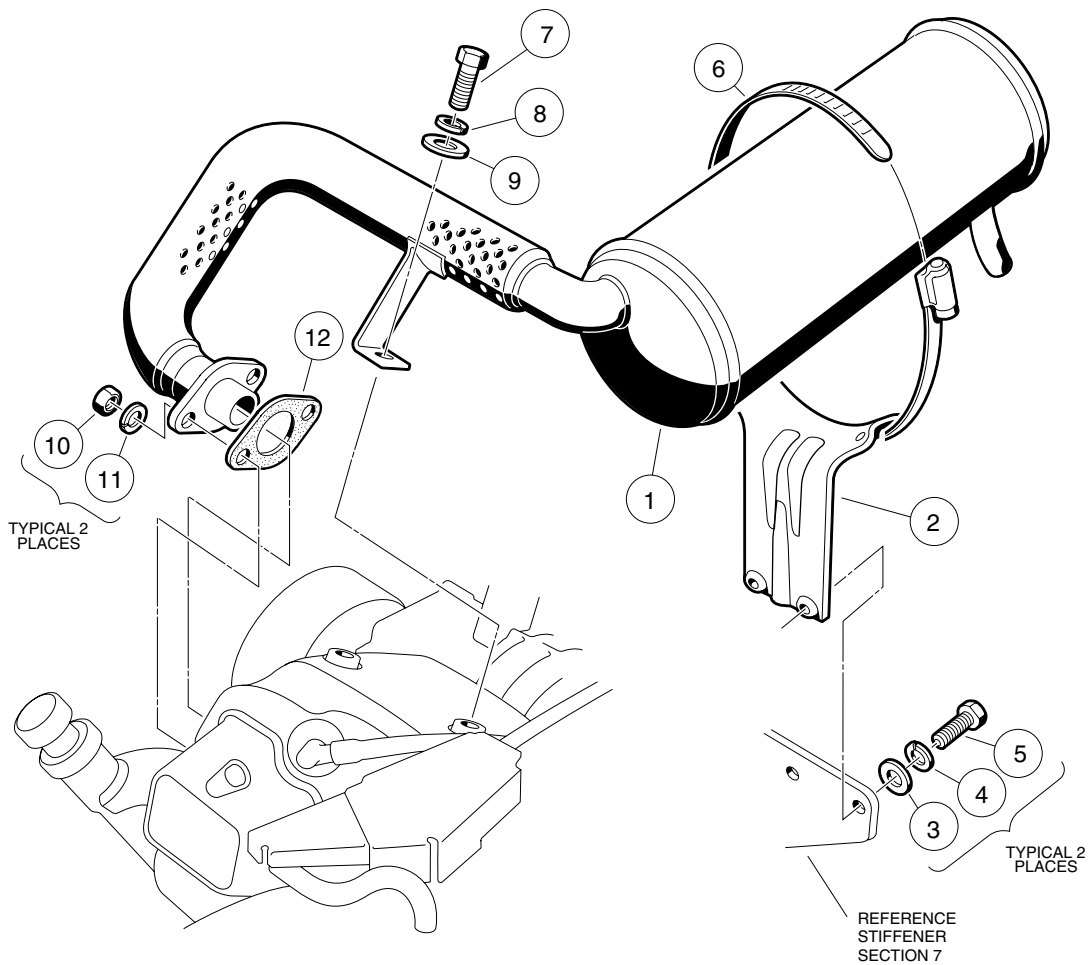


# EXHAUST SYSTEM

---

9

G



# EXHAUST SYSTEM

ITEM	PART NO.	DESCRIPTION	QTY
		1 2 3 4	
1	1018593-01	SYSTEM, EXHAUST .....	1
2	1015814	BRACKET, MUFFLER MOUNTING .....	1
3	0000332	WASHER, FLAT, 1/4 .....	2
4	0000451	WASHER, LOCK, 1/4 .....	2
5	0007847	SCREW, HEX HEAD, 1/4 - 20 x 3/4 .....	2
6	1017689	CLAMP, MUFFLER .....	1
7	1019035-01	SCREW, HEX HEAD CAP, M8 x 1.25 x 24MM .....	1
8	0007174	WASHER, LOCK, 5/16 .....	1
9	1015075	WASHER, FLAT, 5/16 .....	1
10	1012528	NUT, HEX, M8 x 1.25 .....	2
11	1013734	WASHER, LOCK, 8MM .....	2
12	1015330	GASKET, EXHAUST .....	1

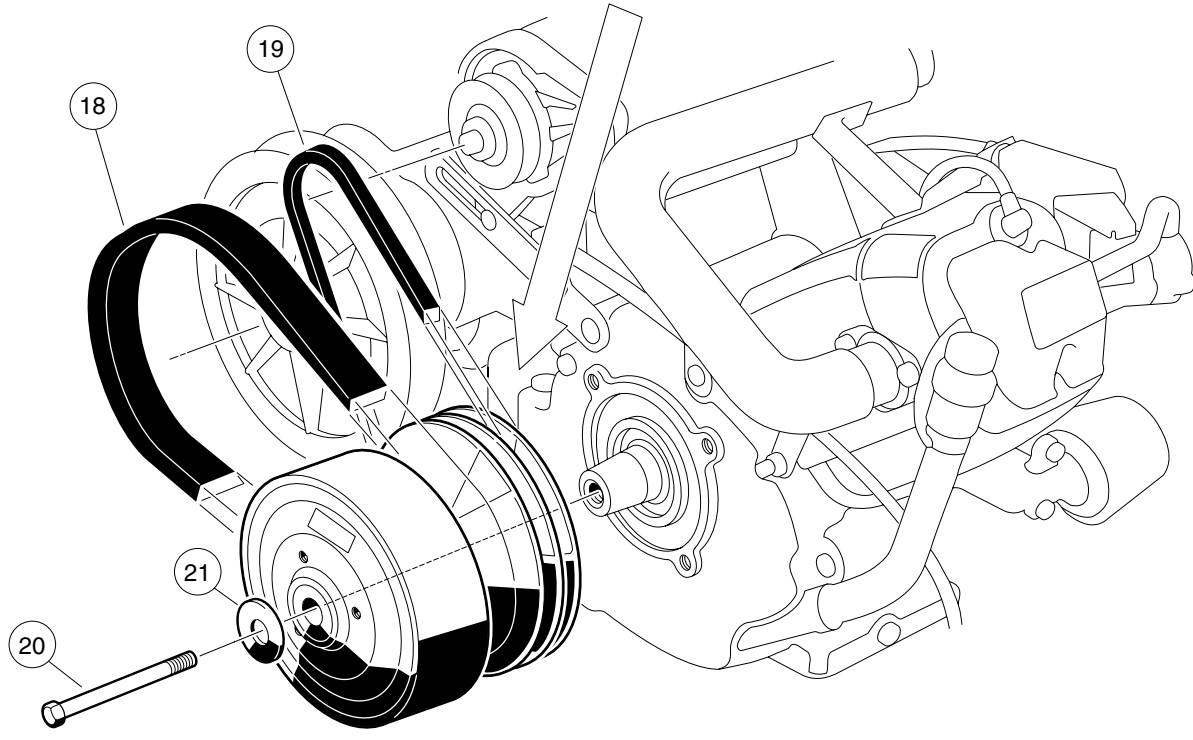
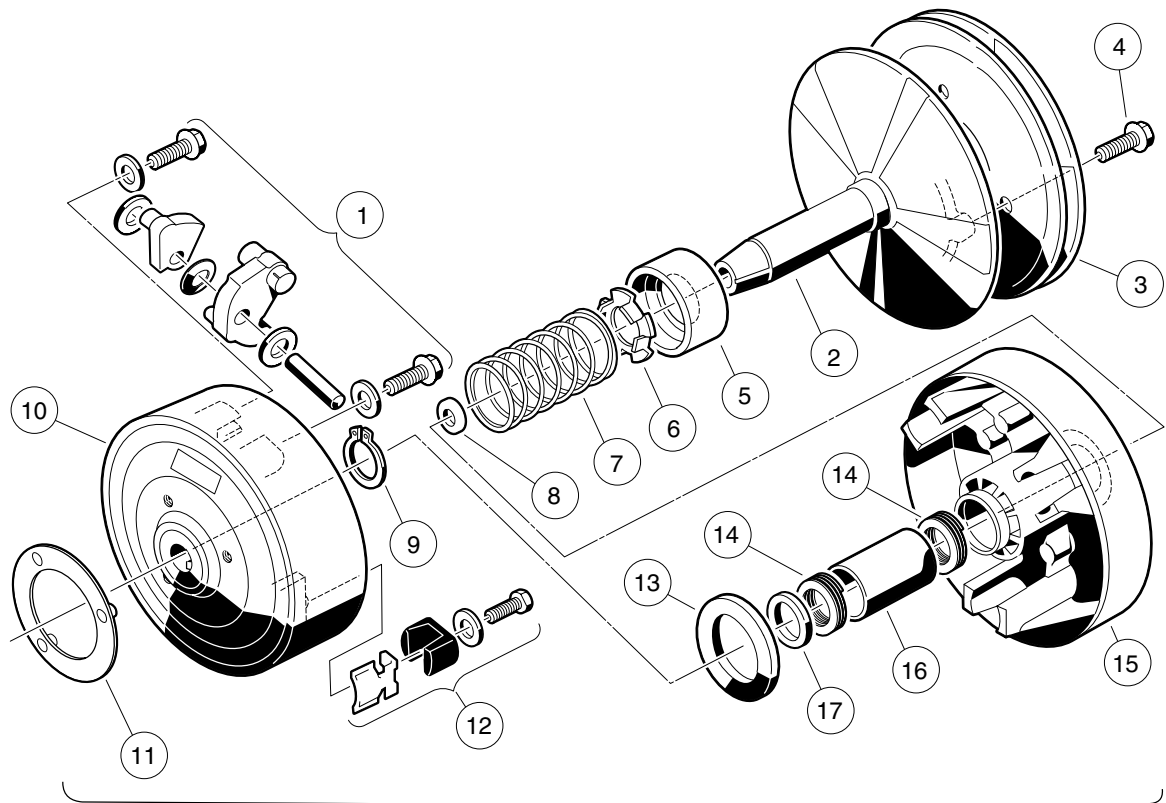


# TORQUE CONVERTER

---

10

G

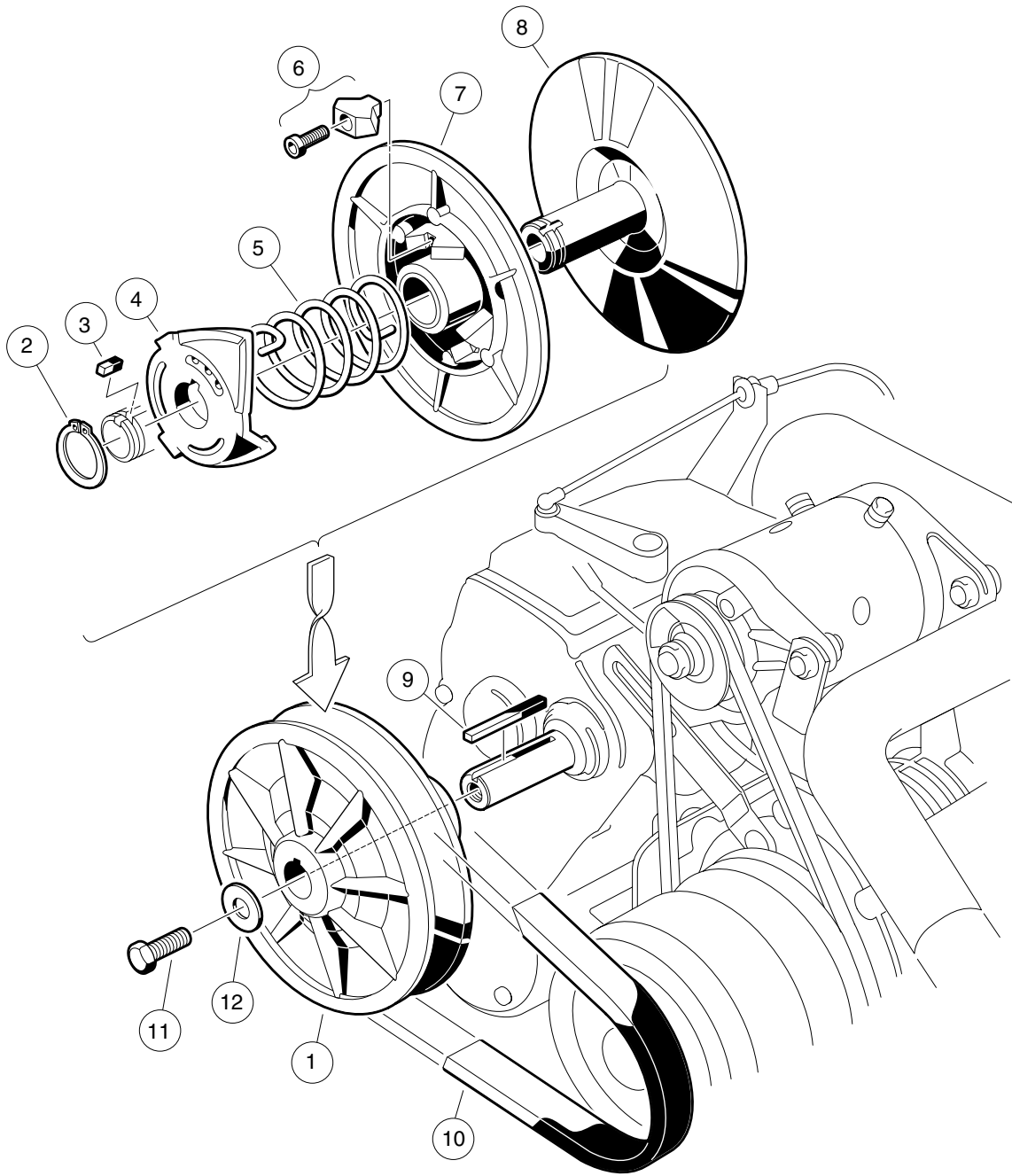




# DRIVE CLUTCH 10

G

ITEM	PART NO.	DESCRIPTION	QTY
		1 2 3 4	
	1018339-02	ASSEMBLY, DRIVE CLUTCH (INCLUDES ITEMS 1 - 17) .....	1
1	1016801	KIT, DRIVE CLUTCH WEIGHT .....	1
2	1019298-01	ASSEMBLY, FIXED FACE (INCLUDES ITEMS 3 AND 4) .....	1
3	N/A	PULLEY .....	1
4	N/A	SCREW, WASHER HEAD HEX MACHINE .....	3
5	1014049	BEARING, IDLER .....	1
6	1014050	SPRING, RETAINER .....	1
7	1014051	SPRING, DRIVE CLUTCH .....	1
8	1016289	SPACER, FIXED FACE SHAFT .....	1
9	1014057	RING, RETAINING .....	1
10	1014059	ASSEMBLY, DRIVE HUB .....	1
11	1019256-01	PLUG, DRIVE CLUTCH .....	1
12	1014453	KIT, DRIVE CLUTCH BUTTON .....	1
13	1014058	WASHER, THRUST .....	1
14	1014056	RING, SPIRAL BACK-UP .....	2
15	1014052	ASSEMBLY, MOVABLE FACE (INCLUDES ITEMS 16 AND 17) .....	1
16	N/A	BUSHING .....	1
17	1014055	RETAINER .....	1
18	1016203	BELT, DRIVE .....	1
19	1019167-01	BELT, STARTER/GENERATOR .....	1
20	1019165-01	SCREW, HEX HEAD CAP, 3/8 - 24 x 5 1/2 (LEFT HAND THREADS) .....	1
21	1017328	WASHER, MOUNTING .....	1



# DRIVEN CLUTCH

10

G

ITEM	PART NO.	DESCRIPTION	QTY
		1 2 3 4	
1	1018340-01	ASSEMBLY, DRIVEN CLUTCH (INCLUDES ITEMS 2 - 8) .....	1
2	1014080	RING, RETAINING .....	1
3	1014078	KEY .....	1
4	1017686	CAM .....	1
5	1018362-01	SPRING .....	1
6	1014454	KIT, BUTTON .....	1
7	1014072	ASSEMBLY, MOVEABLE FACE, WITH BUSHING .....	1
8	1014070	ASSEMBLY, FIXED FACE .....	1
9	1018334-01	KEY, SQUARE TRANSMISSION .....	1
10	1016203	BELT, DRIVE .....	1
11	0007173	SCREW, HEX HEAD CAP, 5/16 - 18 x 3/4 .....	1
12	1017327	WASHER, MOUNTING .....	1

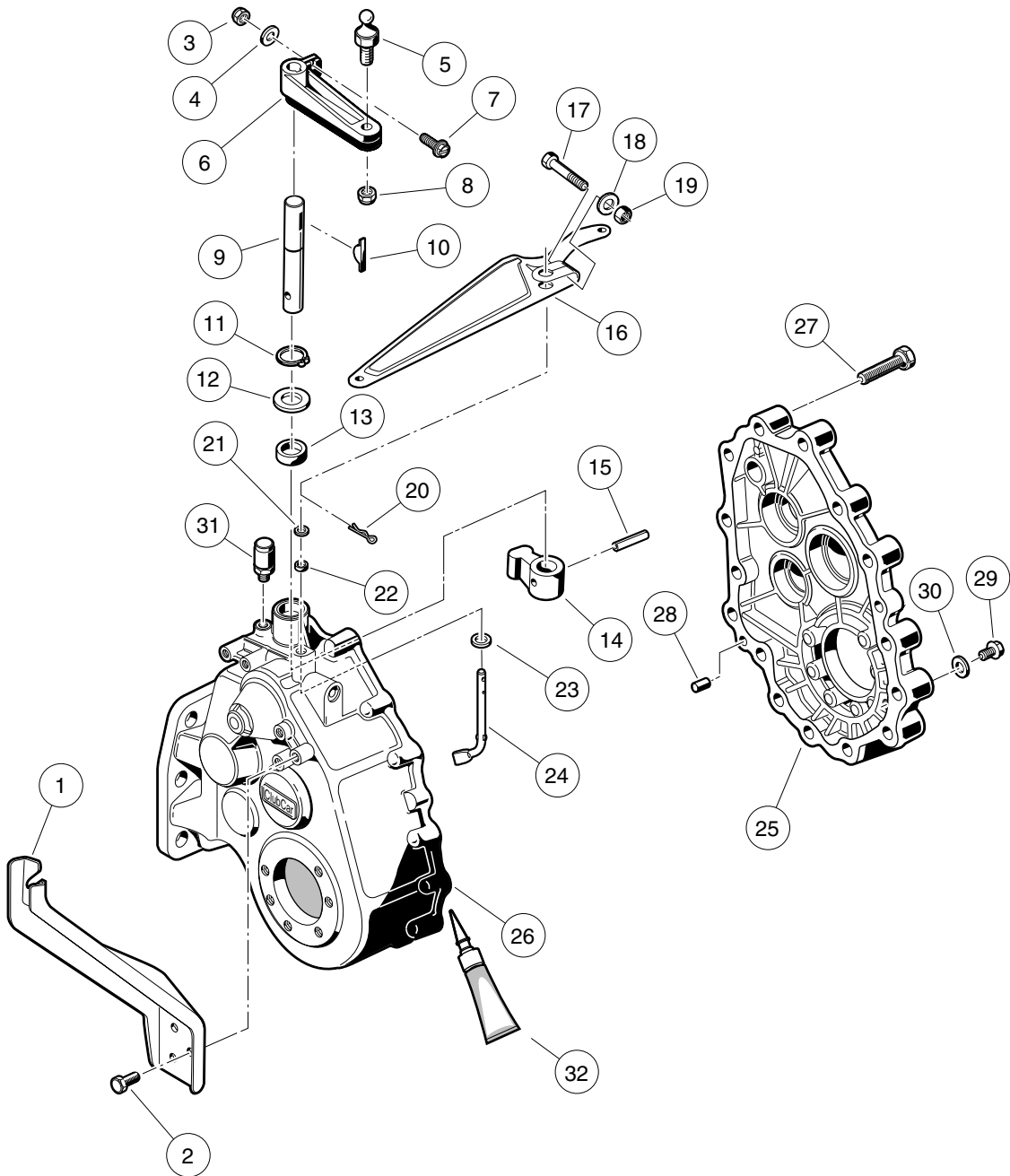


# UNITIZED TRANSAXLE GASOLINE VEHICLE

---

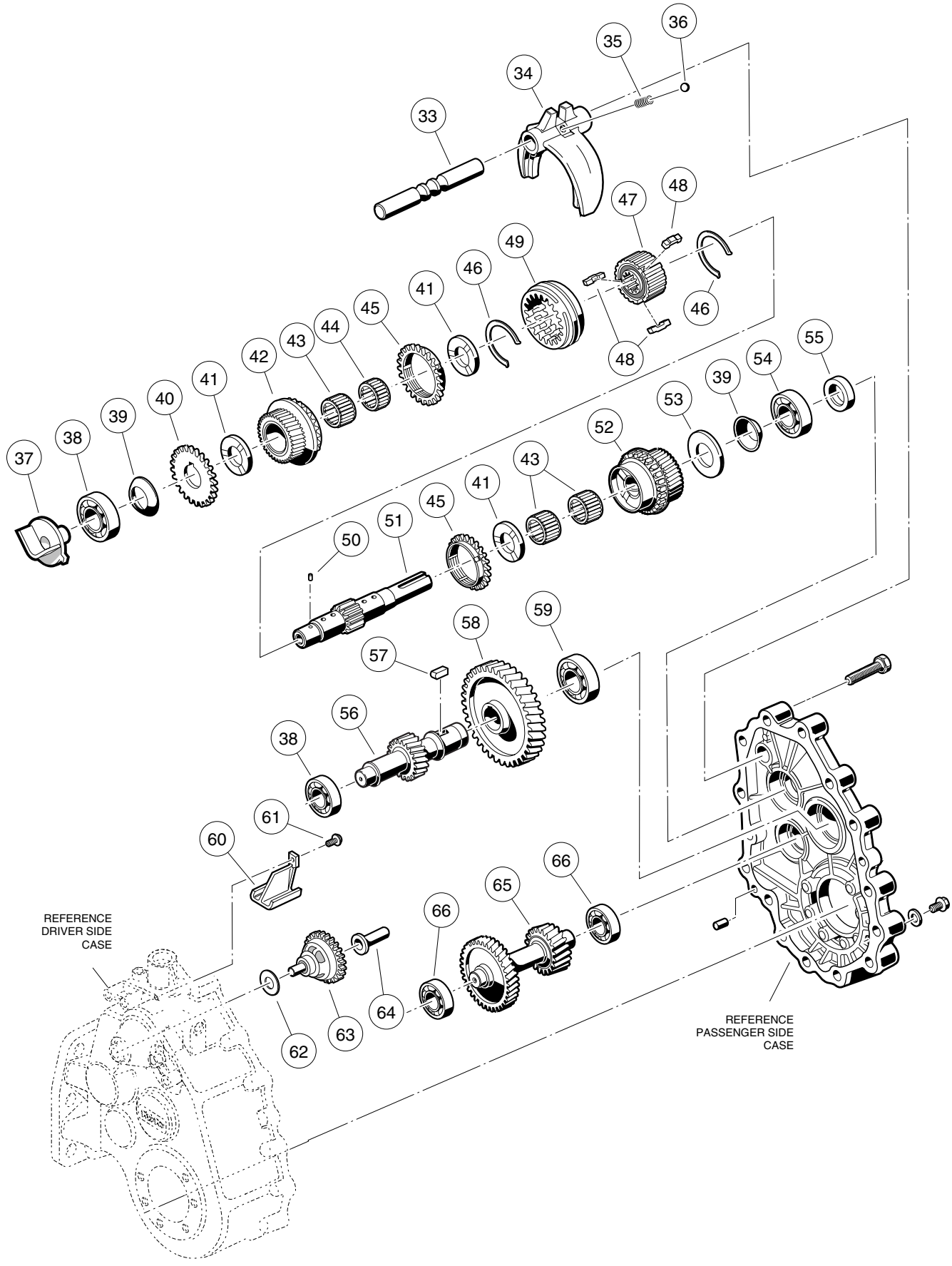
11

G



# UNITIZED TRANSAXLE - GASOLINE VEHICLE

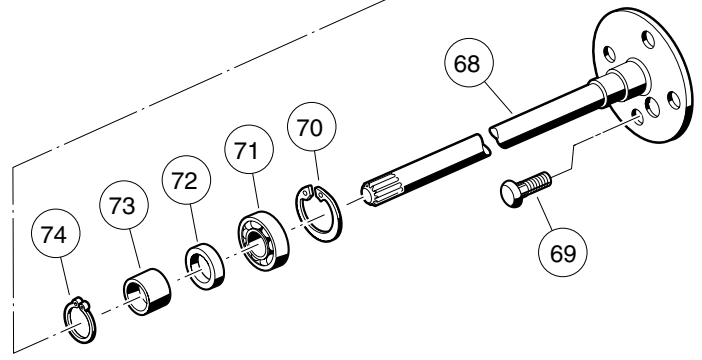
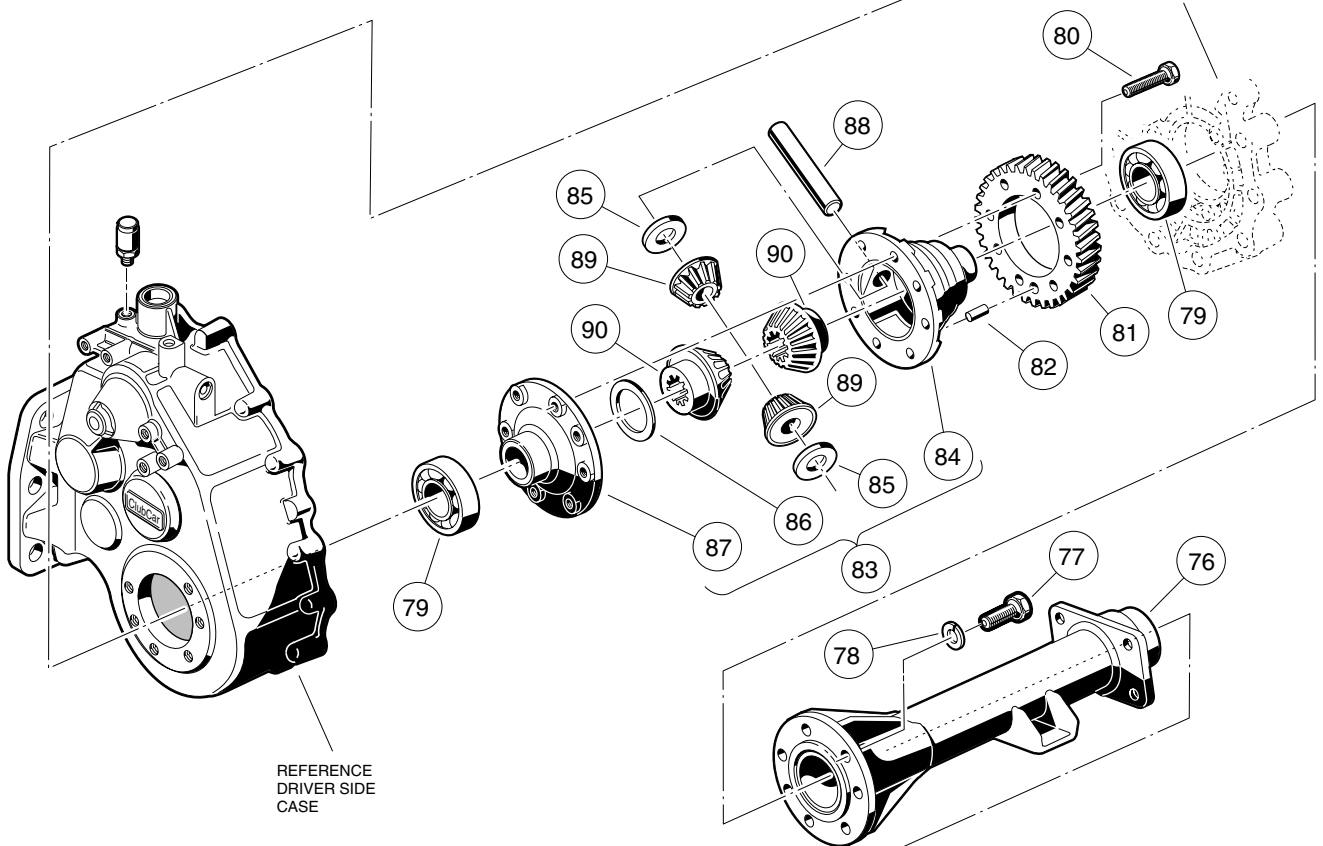
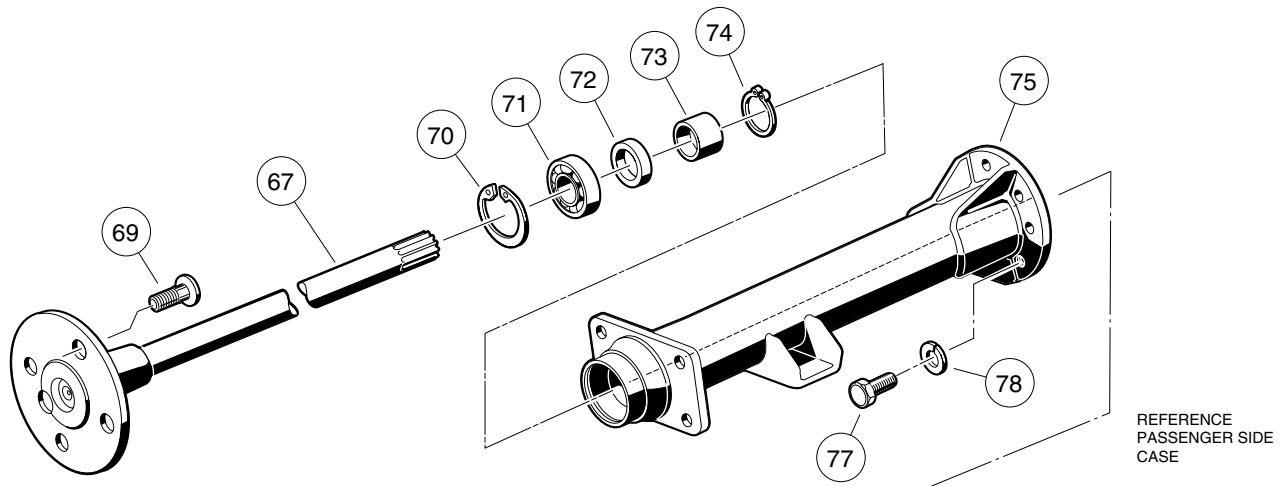
ITEM	PART NO.	DESCRIPTION	QTY
		1 2 3 4	
1	1019226-01	BRACKET, TRANSMISSION CABLE SUPPORT .....	1
2	1012285	SCREW, THREAD ROLLING, 1/4 - 20 x 5/8 .....	3
	1018336-01	UNITIZED TRANSAXLE (INCLUDES ITEMS 3 - 90) .....	1
3	1013061	NUT, NYLON LOCK, #10 - 32 .....	1
4	0000183	WASHER, FLAT, #10 .....	1
5	1010954	STUD, BALL, 1/4 - 28 x 9/16 .....	1
6	1016341	LEVER, TRANSMISSION SHIFTER .....	1
7	1017082	SCREW, HEX WASHER HEAD, #10 - 32 x 3/4 .....	1
8	0008717	NUT, NYLON LOCK, 1/4 - 28 .....	1
9	1018902-01	SHAFT, SHIFTER .....	1
10	1017231	KEY, WOODRUFF .....	1
11	1019273-01	RING, SNAP .....	1
12	1018929-01	WASHER, FLAT .....	1
13	1019272-01	SEAL, OIL .....	1
14	1018901-01	LEVER, SHIFTER .....	1
15	1012752	PIN, ROLL .....	1
16	1018348-01	ARM, GOVERNOR LEVER .....	1
17	1018861-01	SCREW, SQUARE HEAD, 1/4 - 20 x 1 .....	1
18	0000332	WASHER, FLAT .....	1
19	0008233	NUT, NYLON LOCK, 1/4 - 20 .....	1
20	1019286-01	PIN, COTTER .....	1
21	1016513	WASHER, FLAT .....	1
22	1019271-01	SEAL, OIL .....	1
23	1018938-01	WASHER .....	1
24	1018913-01	ARM, PIVOT .....	1
25	1018906-01	GEAR CASE (RIGHT) .....	1
26	1018905-01	GEAR CASE (LEFT) .....	1
27	1019269-01	BOLT, FLANGED, M8 x 1.25 x 40MM .....	15
28	1012896	PIN, DOWEL .....	2
29	1013759	PLUG, DRAIN (INCLUDES ITEM 30) .....	2
30	1016432	GASKET .....	1
31	1012711	BREATHER .....	1
32	1019287-01	GASKET, LIQUID, 8.8 OZ. (250 GRAMS) .....	A/R





# UNITIZED TRANSAXLE - GASOLINE VEHICLE

ITEM	PART NO.	DESCRIPTION	QTY
		1 2 3 4	
33	1018920-01	ROD, SHIFT .....	1
34	1018900-01	FORK, SHIFT .....	1
35	1012748	SPRING .....	1
36	1012747	BALL, STEEL .....	1
37	1018894-01	GUIDE .....	1
38	0007336	BEARING, BALL .....	4
39	1016338	WASHER, SPRING .....	2
40	1018924-01	GEAR, SPUR .....	1
41	1018922-01	PLATE, THRUST .....	3
42	1018897-01	GEAR, ASSEMBLY, 34 TOOTH, INPUT .....	1
43	1019276-01	BEARING, NEEDLE .....	3
44	1019275-01	BEARING, NEEDLE .....	1
45	1012742	RING, SYNCHRONIZER .....	2
46	1012741	SPRING, SYNCHRONIZER .....	2
47	1019279-01	SLEEVE, SYNCHRONIZER .....	1
48	1012740	INSERT, SYNCHRONIZER .....	3
49	1019280-01	HUB, SYNCHRONIZER CLUTCH .....	1
50	1019277-01	PIN, DOWEL .....	1
51	1018899-01	SHAFT, INPUT .....	1
52	1018896-01	GEAR, ASSEMBLY, 34 TOOTH, INPUT .....	1
53	1016337	WASHER, THRUST .....	1
54	1019278-01	BEARING, BALL .....	1
55	1012714	SEAL, INPUT SHAFT, OIL .....	1
56	1018926-01	GEAR, 17 TOOTH .....	1
57	1018932-01	KEY .....	1
58	1018925-01	GEAR, 61 TOOTH .....	1
59	1019281-01	BEARING, BALL .....	1
60	1018895-01	GUIDE, OIL .....	1
61	1019282-01	SCREW, M8 x 1.25 x 10 MM .....	1
62	1018939-01	WASHER.....	1
63	1018923-01	GOVERNOR, ASSEMBLY .....	1
64	1018916-01	SLEEVE .....	1
65	1018919-01	GEAR, CLUSTER IDLER .....	1
66	0007335	BEARING, BALL .....	2



# UNITIZED TRANSAXLE - GASOLINE VEHICLE

ITEM	PART NO.	DESCRIPTION	QTY
		1 2 3 4	
67	1018914-01	AXLE ASSEMBLY, LEFT (INCLUDES ITEMS 69 - 74) .....	1
68	1018915-01	AXLE ASSEMBLY, RIGHT (INCLUDES ITEMS 69 - 74) .....	1
69	1013787	STUD, LUG .....	4
70	1013792	RING, RETAINING .....	1
71	1011291	BEARING, OUTER AXLE TUBE .....	1
72	1013794	SEAL, OIL .....	1
73	1014207	BUSHING, 25 MM I. D. ....	1
74	1016672	RING, RETAINING .....	1
75	1018910-01	ASSEMBLY, AXLE TUBE, LEFT SIDE .....	1
76	1018909-01	ASSEMBLY, AXLE TUBE, RIGHT SIDE .....	1
77	1013790	BOLT, M10 x 1.5 x 30MM .....	14
78	1013791	WASHER, LOCK, M10 .....	14
79	0007330	BEARING, INNER AXLE TUBE .....	2
80	1019283-01	BOLT, M8 x 1.25 x 37MM .....	8
81	1018927-01	GEAR, OUTPUT .....	1
82	1014193	PIN, DOWEL .....	1
83	1019105-01	KIT, DIFFERENTIAL GEAR CASE (INCLUDES ITEMS 84 - 87) .....	1
84	1013768	CASE, GEAR CARRIER .....	1
85	1013774	PLATE, THRUST (IDLER GEAR) .....	2
86	1013773	PLATE, THRUST (DIFFERENTIAL GEAR) .....	1
87	1013769	COVER, GEAR CASE .....	1
88	1013772	PIN, DIFFERENTIAL .....	1
89	1013770	GEAR, DIFFERENTIAL IDLER .....	2
90	1013771	GEAR, DIFFERENTIAL .....	2

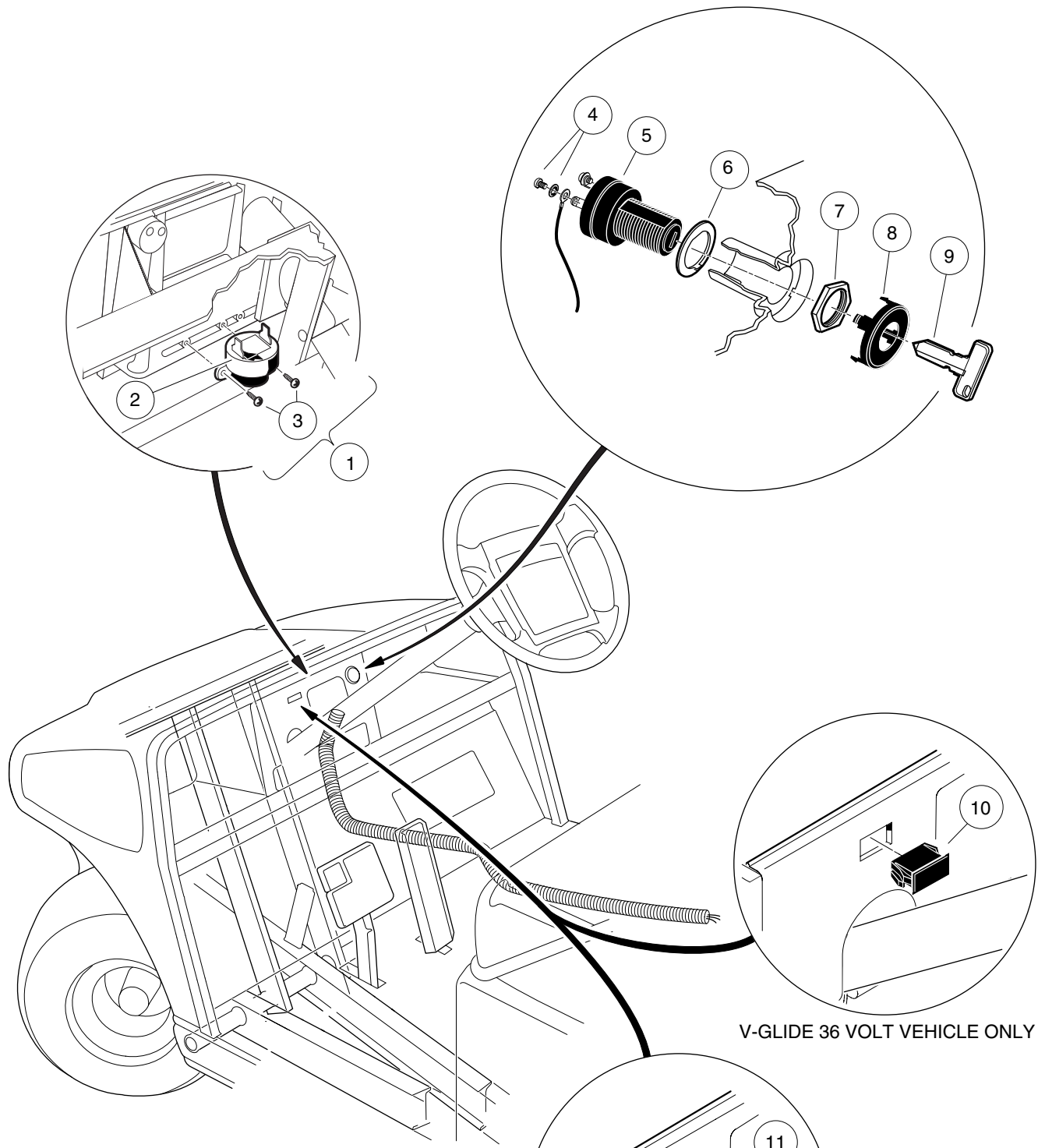


# ELECTRICAL SYSTEM ELECTRIC VEHICLE

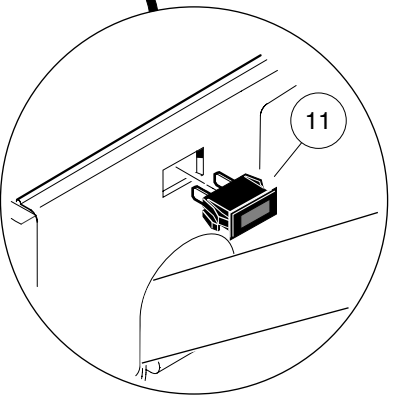
---

12

E



V-GLIDE 36 VOLT VEHICLE ONLY



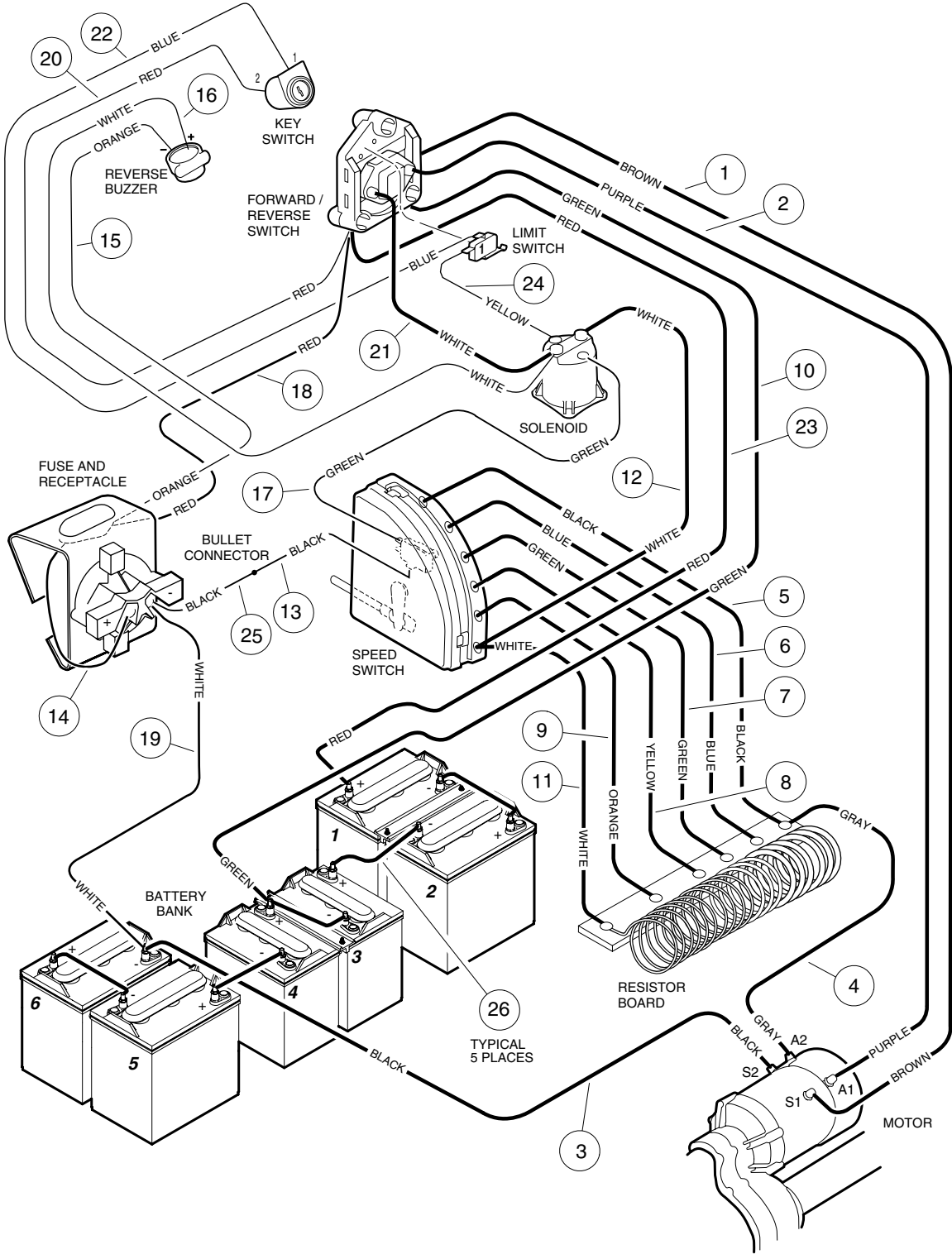
POWERDRIVE SYSTEM 48 AND  
POWERDRIVE PLUS VEHICLES

# ELECTRICAL COMPONENTS, FRONT BODY ELECTRIC VEHICLE

**12**

**E**

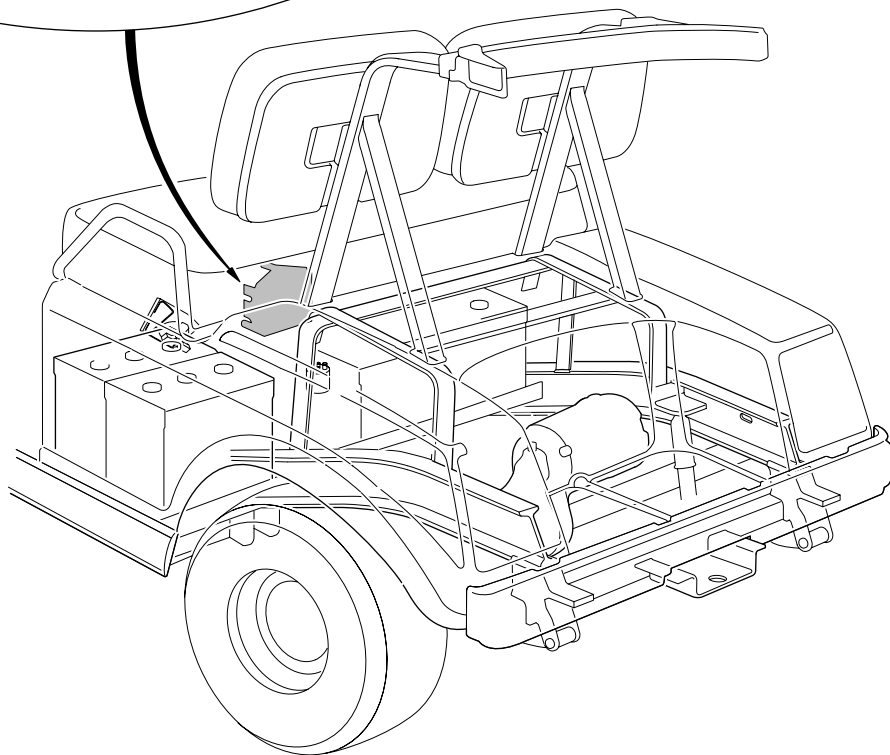
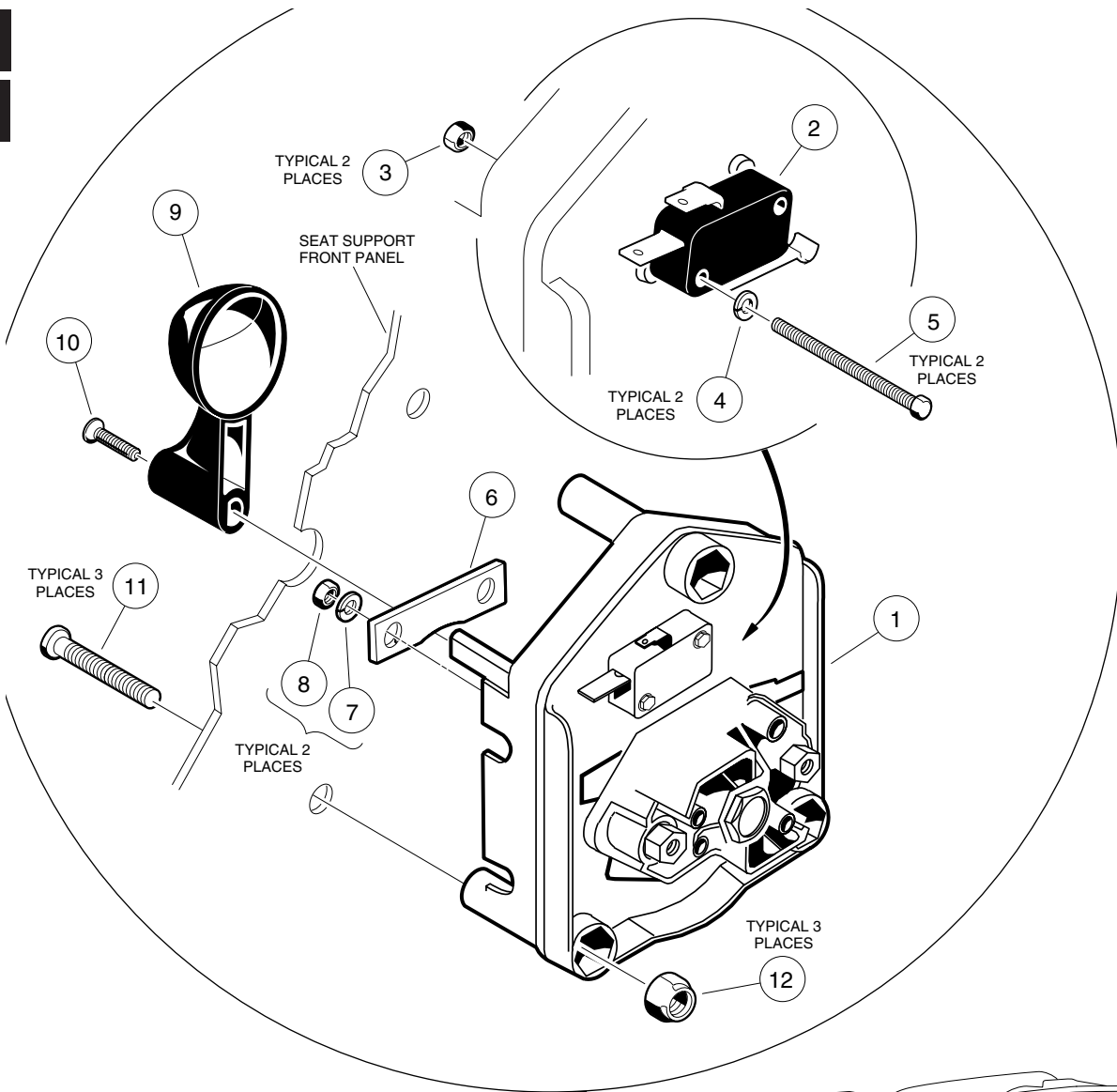
ITEM	PART NO.	DESCRIPTION	QTY
		1 2 3 4	
1	1016859	KIT, REVERSE BUZZER (INCLUDES ITEMS 2 AND 3) .....	1
2	1016851	BUZZER, REVERSE .....	1
3	1016849	SCREW, PAN HEAD HILO, #4 - 24 x 5/16 .....	2
4	1018306-01	ASSEMBLY, SCREW AND WASHER .....	2
5	1018262-01	SWITCH, KEY .....	1
6	1018511-01	WASHER .....	1
7	1018307-01	NUT, KEY SWITCH .....	1
8	1018345-02	CAP, KEY SWITCH .....	1
9	1012505	KEY (PAIR) .....	1
10	1018026-01	PLUG, HOLE (V-GLIDE 36 VOLT VEHICLE ONLY) .....	1
11	1018025-01	LIGHT, BATTERY WARNING (POWERDRIVE SYSTEM 48 AND POWERDRIVE PLUS) .....	1





# WIRING - V-GLIDE 36 VOLT VEHICLE

ITEM	PART NO.	DESCRIPTION	QTY
		1 2 3 4	
1	1016070	WIRE ASSEMBLY, #6 BROWN .....	1
2	1016069	WIRE ASSEMBLY, #6 PURPLE .....	1
3	1012651	WIRE ASSEMBLY, #6 BLACK .....	1
4	1016068	WIRE ASSEMBLY, #6 GRAY .....	1
5	1014036	WIRE ASSEMBLY, #6 BLACK, 6TH SPEED.....	1
6	1014035	WIRE ASSEMBLY, #6 BLUE, 5TH SPEED .....	1
7	1014034	WIRE ASSEMBLY, #6 GREEN, 4TH SPEED .....	1
8	1014033	WIRE ASSEMBLY, #6 YELLOW, 3RD SPEED .....	1
9	1014032	WIRE ASSEMBLY, #6 ORANGE, 2ND SPEED .....	1
10	1014828	WIRE ASSEMBLY, #6 GREEN .....	1
11	1014030	WIRE ASSEMBLY, #6 WHITE .....	1
12	1014029	WIRE ASSEMBLY, #6 WHITE .....	1
13	1016636	WIRE ASSEMBLY, #18 BLACK .....	1
14	1013092	WIRE ASSEMBLY, #10 RED .....	1
15	1016639	WIRE ASSEMBLY, #18 ORANGE .....	1
16	1016640	WIRE ASSEMBLY, #18 WHITE .....	1
17	1014023	WIRE ASSEMBLY, #18 GREEN .....	1
18	1012237	WIRE ASSEMBLY, #10 RED .....	1
19	1011010	WIRE ASSEMBLY, #10 WHITE .....	1
20	1016637	WIRE ASSEMBLY, #18 RED .....	1
21	1014039	WIRE ASSEMBLY, #6 WHITE .....	1
22	1011006	WIRE ASSEMBLY, #18 BLUE .....	1
23	1011069	WIRE ASSEMBLY, #6 RED .....	1
24	1014040	WIRE ASSEMBLY, #18 YELLOW .....	1
25	1016632	WIRE ASSEMBLY, #18 BLACK .....	1
26	1010958	WIRE ASSEMBLY, #6 BLACK .....	5

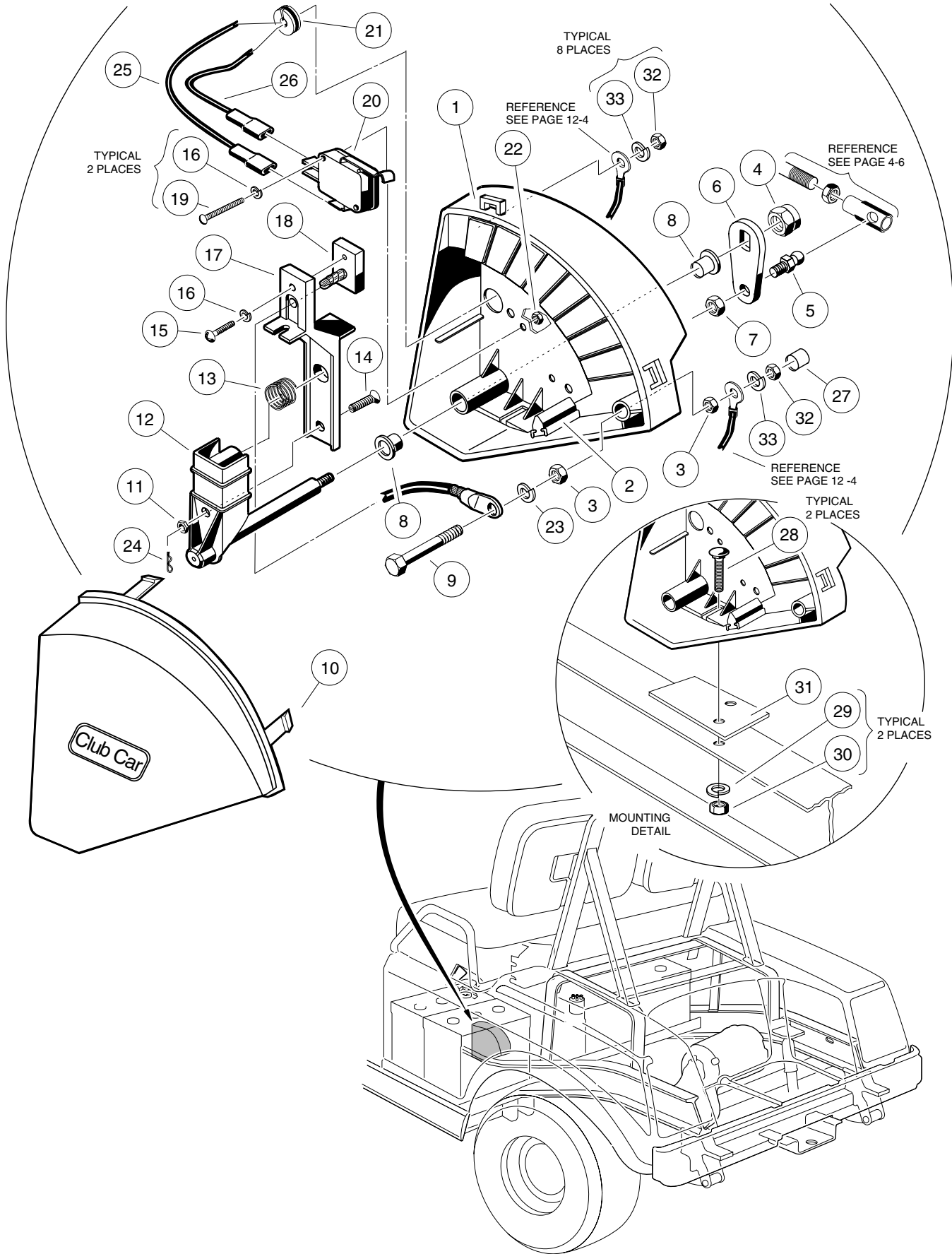


# FORWARD AND REVERSE SWITCH V-GLIDE 36 VOLT VEHICLE

**12**

**E**

ITEM	PART NO.	DESCRIPTION	QTY
		1 2 3 4	
1	1017530-03	ASSEMBLY, FORWARD AND REVERSE SWITCH (INCLUDES ITEMS 2 - 8) .....	1
2	1014808	SWITCH, LIMIT .....	1
3	0008057	NUT, HEX, #4 - 40 .....	2
4	0008058	WASHER, LOCK, #4 .....	2
5	1011991	SCREW, SLOTTED ROUND HEAD, #4 - 40 x 1 1/8 .....	2
6	1017799	BAR, BUS .....	1
7	0000451	WASHER, LOCK, 1/4 .....	2
8	0001028	NUT, HEX, 1/4 - 20 .....	2
9	1012987	HANDLE, FORWARD AND REVERSE SWITCH .....	1
10	1013198	SCREW, PHILLIPS HEAD MACHINE, #8 - 32 x 5/8 .....	1
11	1016845	SCREW, PHILLIPS TRUSS HEAD, 1/4 - 20 x 2 1/8 .....	3
12	0008233	NUT, NYLON LOCK, 1/4 - 20 .....	3



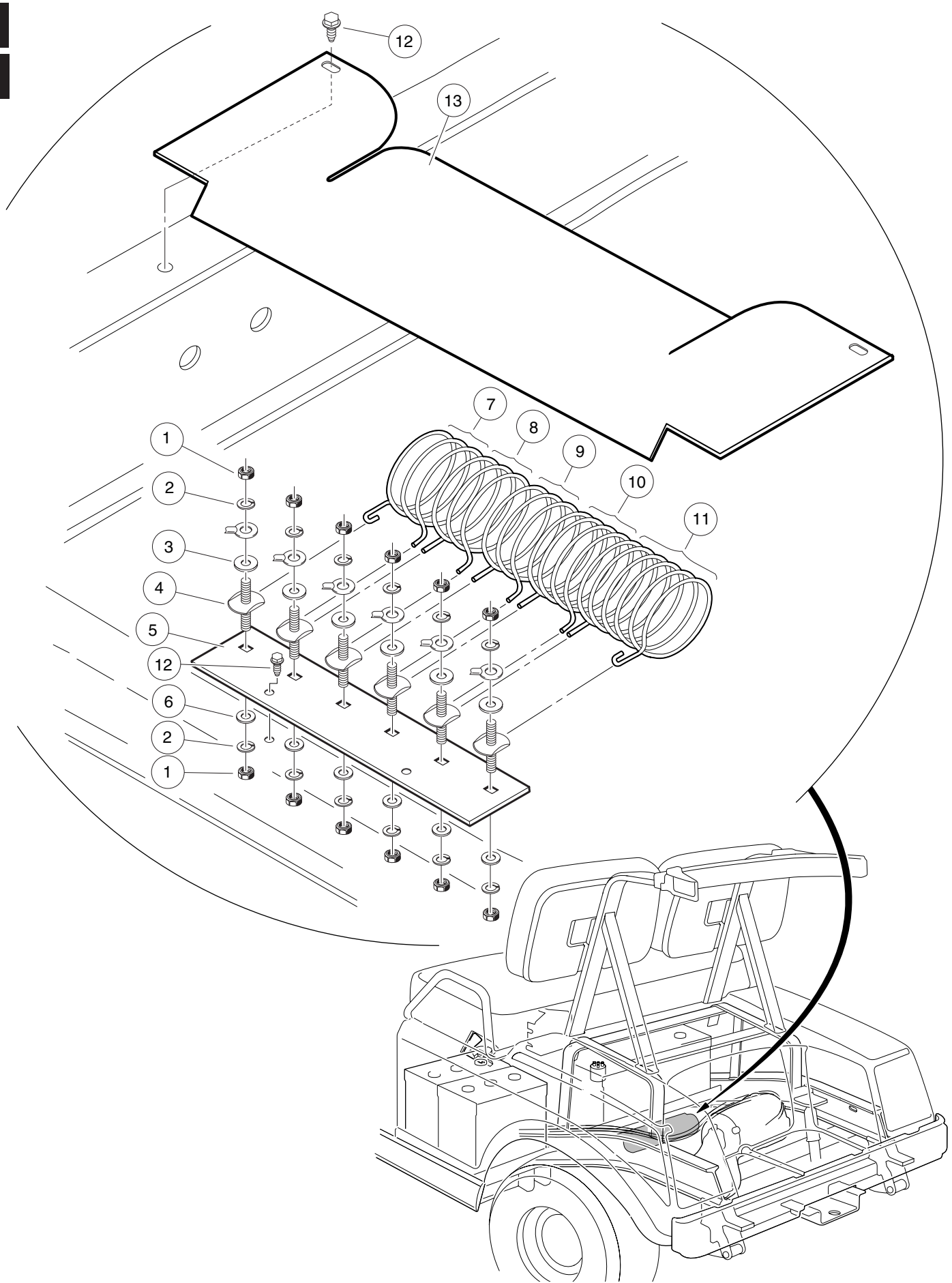
# WIPER SWITCH - V-GLIDE 36 VOLT VEHICLE

12

E

ITEM	PART NO.	DESCRIPTION	QTY
		1 2 3 4	
	1016140	ASSEMBLY, V-GLIDE WIPER SWITCH (INCLUDES ITEMS 1 - 26) .....	1
1	1014999	ASSEMBLY, WIPER SWITCH CASE, 6 SPEED (INCLUDES ITEM 2) .....	1
2	1014414	BUMPER, WIPER SWITCH .....	1
3	1014253	NUT, BRASS HEX JAM, 1/4 - 20 .....	2
4	0007473	NUT, NYLON LOCK, 5/16 - 18 .....	1
5	1012353	STUD, SHORT BALL, 1/4 - 28 .....	1
6	1014003	CRANK, BELL .....	1
7	0008449	NUT, DIMPLED LOCK, 1/4 - 28 .....	1
8	1012903	BEARING, BRONZE, 3/8 x 1/2 .....	2
9	1014189	SCREW, BRONZE HEX HEAD CAP, 1/4 - 20 x 2 .....	1
10	1013886	COVER, WIPER SWITCH CASE .....	1
11	0007893	NUT, HEX, #10 - 32 .....	1
12	1014017	CARRIER, WIPER SWITCH ARM .....	1
13	1013998	SPRING, WIPER SWITCH BRUSH .....	1
14	1014000	STUD, WIPER SWITCH ADJUSTING .....	1
15	1014019	SCREW, SELF-TAPPING, #4 - 40 x 3/8 .....	1
16	0008058	WASHER, LOCK, #4 .....	3
17	1013887	ARM, SPEED SWITCH .....	1
18	1013860	ASSEMBLY, SWITCH BRUSH .....	1
19	0008056	SCREW, ROUND HEAD MACHINE, #4 - 40 x 3/4 .....	2
20	1014807	SWITCH, LIMIT .....	1
21	1014010	GROMMET, SPLIT .....	1
22	0008057	NUT, HEX, #4 - 40 .....	2
23	0000451	WASHER, LOCK, 1/4 .....	1
24	1014413	PIN, HAIR SPRING COTTER .....	1
25	1016636	WIRE ASSEMBLY, #18 BLACK .....	1
26	1014023	WIRE ASSEMBLY, #18 GREEN .....	1
27	1017692	CAP, PROTECTOR .....	1
28	1014109	BOLT, CARRIAGE, #10 - 24 x 1 .....	2
29	1016175	WASHER, LOCK, #10 .....	2
30	0001017	NUT, HEX, #10 - 24 .....	2
31	1014367	SHIM, WIPER SWITCH .....	1
32	0001014	NUT, BRASS HEX, 1/4 - 20 .....	9
33	0000451	WASHER, LOCK, 1/4 .....	9

12  
E

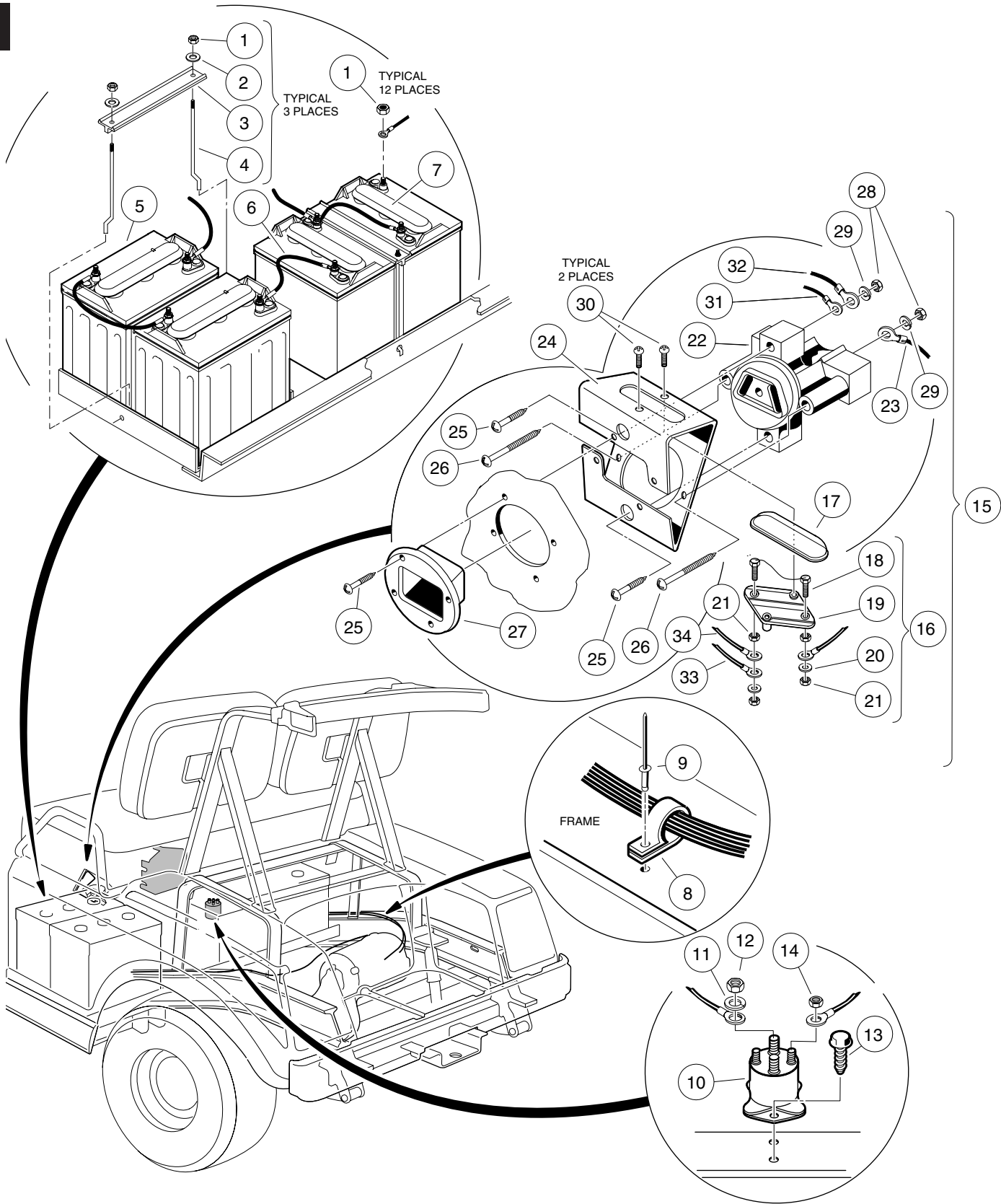


# RESISTOR AND BOARD ASSEMBLY V-GLIDE 36 VOLT VEHICLE

**12**

**E**

ITEM	PART NO.	DESCRIPTION	QTY
		1 2 3 4	
1	0001028	NUT, HEX, 1/4 - 20 .....	12
2	0000451	WASHER, LOCK, 1/4 .....	12
3	1011931	WASHER, FLAT, 1/4 .....	6
4	1014045	STAND-OFF, RESISTOR COIL .....	6
5	1014728	BOARD, RESISTOR MOUNTING .....	1
6	0000332	WASHER, FLAT, 1/4 .....	6
7	1014476	COIL, RESISTOR .....	1
8	1014012	COIL, RESISTOR .....	1
9	1014013	COIL, RESISTOR .....	1
10	1014014	COIL, RESISTOR .....	1
11	1014729	COIL, RESISTOR .....	1
12	1012285	SCREW, THREAD ROLLING, 1/4 - 20 x 5/8 .....	4
13	1013971	SHIELD, RESISTOR .....	1



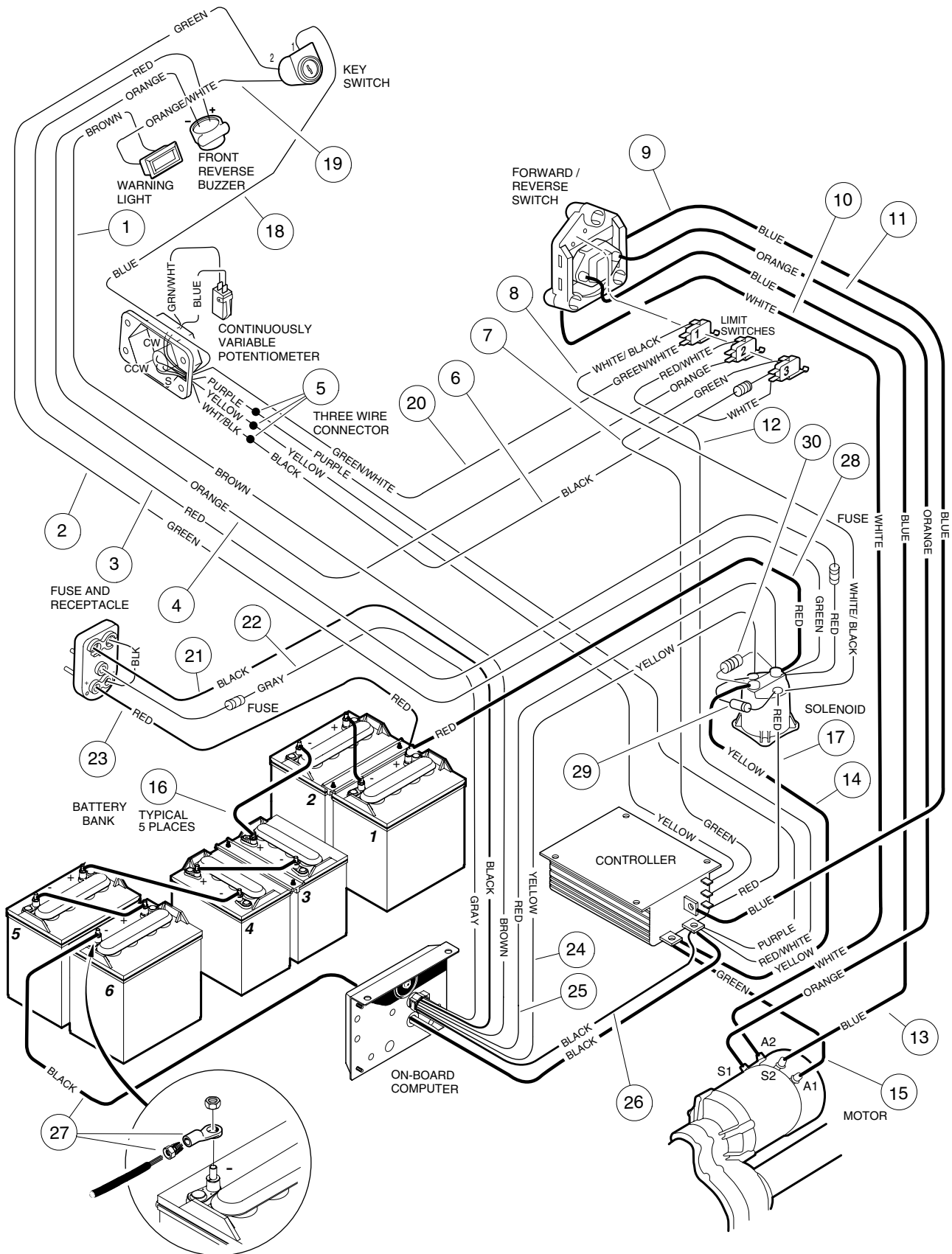


# ELECTRICAL COMPONENTS, REAR BODY V-GLIDE 36 VOLT VEHICLE

**12**

**E**

ITEM	PART NO.	DESCRIPTION	QTY
		1 2 3 4	
1	1014304	NUT, HEX, STAINLESS STEEL, 5/6 - 18 .....	18
2	1011578	WASHER, FLAT, TYPE B WIDE, 5/16 .....	6
3	1010908	HOLD-DOWN, BATTERY .....	3
4	1013683	BOLT, "J" .....	6
5	1016616-01	BATTERY, 6 VOLT .....	6
5	1016616-02	BATTERY, 6 VOLT, DRY .....	6
6	1010958	WIRE ASSEMBLY, #6 BLACK .....	5
7	1018314-01	CAP, 6 VOLT BATTERY .....	6
8	1012022	CLAMP, CABLE .....	2
9	0001606	RIVET, POP, 3/16 .....	2
10	0008016	SOLENOID, 36 VOLT .....	1
11	0007174	WASHER, LOCK, 5/16 .....	2
12	0001242	NUT, HEX, 5/16 - 18 .....	2
13	1012285	SCREW, THREAD ROLLING, 1/4 - 20 x 5/8 .....	2
14	0007893	NUT, HEX, #10 - 32 .....	2
15	1013425-01	KIT, FUSE AND RECEPTACLE (INCLUDES ITEMS 16 - 30) .....	1
16	1014516	KIT, FUSE (INCLUDES ITEMS 17 - 21) .....	1
17	1012143	LENS, FUSE .....	1
18	1012085	FUSE, 80 AMP .....	1
19	1012142	HOLDER, FUSE .....	1
20	0001016	WASHER, LOCK, #10 .....	2
21	0008797	NUT, BRASS, #10 - 32 .....	4
22	0004107	RECEPTACLE, CHARGER, 2 PRONG .....	1
23	1013092	WIRE ASSEMBLY, #10 RED .....	1
24	1013628	BRACKET, FUSE AND RECEPTACLE MOUNTING .....	1
25	0008796	SCREW, PHILLIPS PAN HEAD SELF-TAPPING, #7 -19 x 3/4 .....	6
26	0008795	SCREW, PHILLIPS PAN HEAD SELF-TAPPING, #7 -19 x 1 3/4 .....	2
27	1013649	BEZEL, CHARGER RECEPTACLE .....	1
28	0008797	NUT, BRASS, #10 - 32 .....	2
29	0001016	WASHER, LOCK, #10 .....	2
30	1013266	SCREW, PHILLIPS PAN HEAD SELF-TAPPING, #8 - 18 x 1/2 .....	2
31	1016632	WIRE ASSEMBLY, #18 BLACK .....	1
32	1011010	WIRE ASSEMBLY, #10 WHITE .....	1
33	1012237	WIRE ASSEMBLY, #10 RED .....	1
34	1016639	WIRE ASSEMBLY, #18 ORANGE .....	1

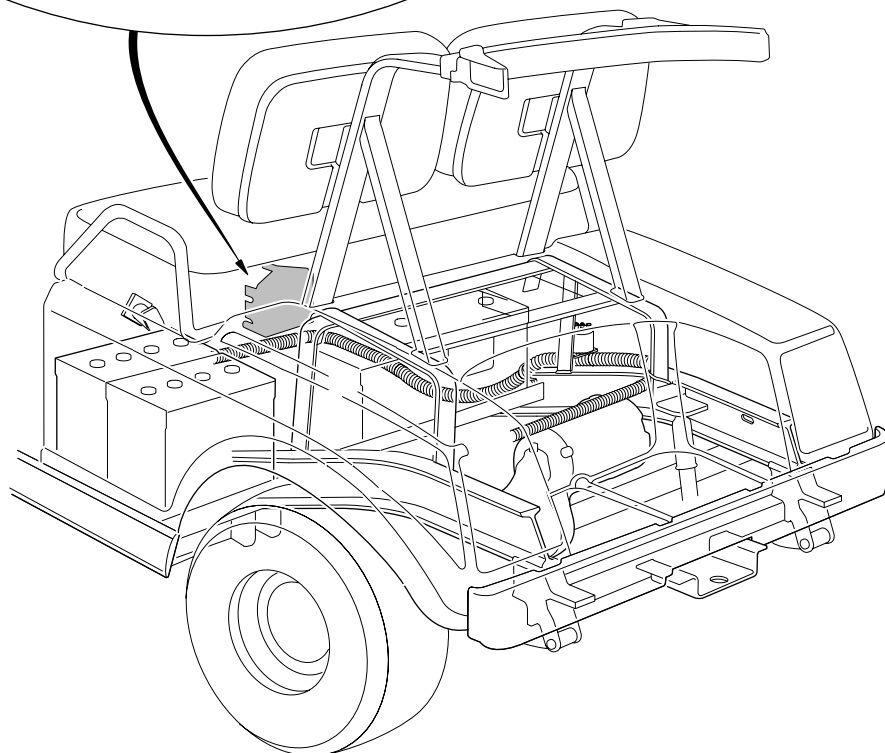
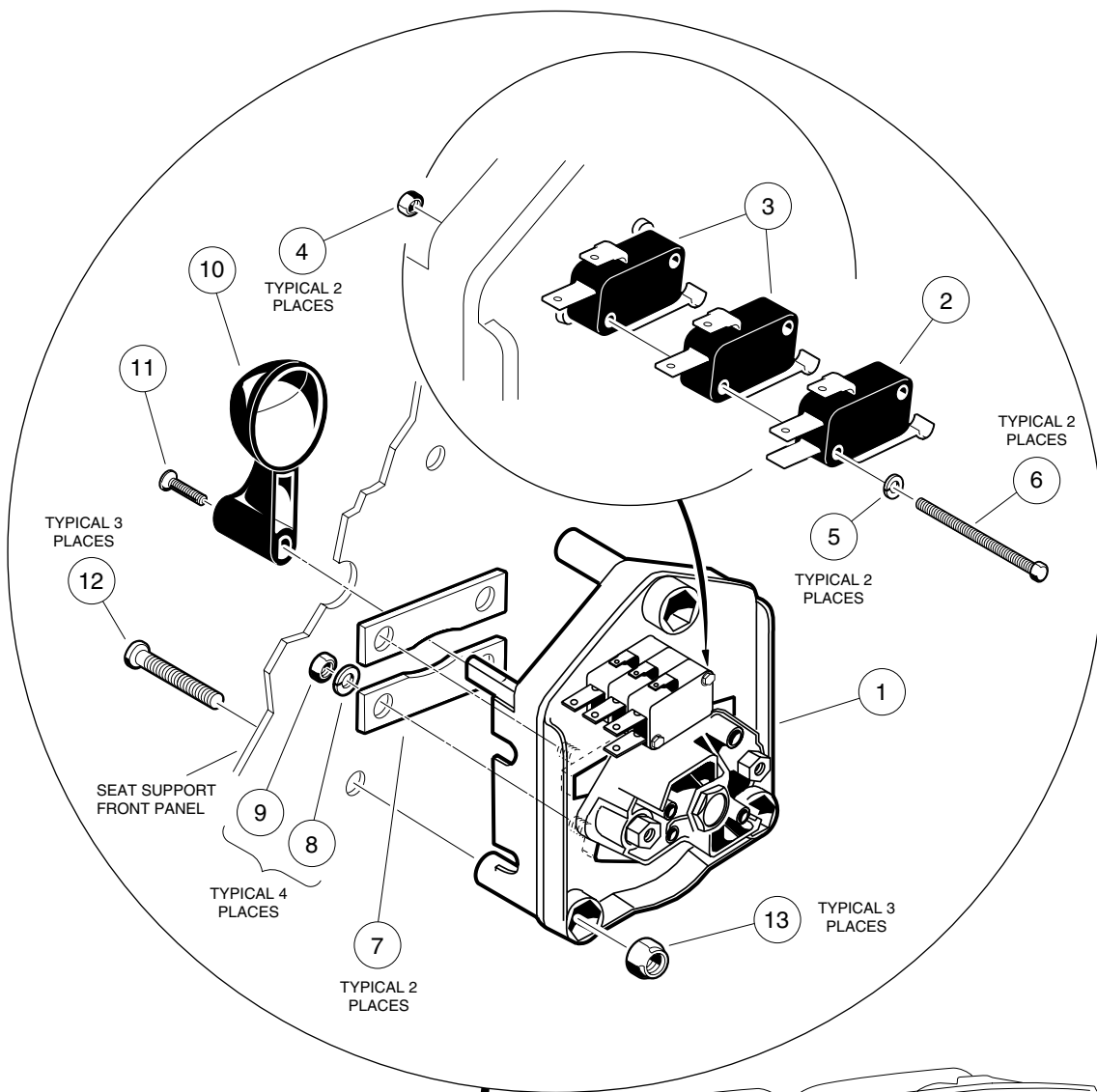


# WIRING - POWERDRIVE SYSTEM 48 VEHICLE

12

E

ITEM	PART NO.	DESCRIPTION	QTY
		1 2 3 4	
	1017942-03	WIRE HARNESS (INCLUDES ITEMS 1 - 13) .....	1
1	1017956	WIRE ASSEMBLY, #18 BROWN .....	1
2	1016121	WIRE ASSEMBLY, #18 GREEN .....	1
3	1016135	WIRE ASSEMBLY, #18 RED .....	1
4	1016134	WIRE ASSEMBLY, #18 ORANGE .....	1
5	1018651-01	ASSEMBLY, 3-WAY PLUG (INCLUDES #18 PURPLE, #18 YELLOW AND ITEM 6) ...	1
6	1018830-01	WIRE ASSEMBLY, #18 BLACK (INCLUDES RESISTOR AND #18 WHITE WIRE) ..	1
7	1018403-01	WIRE ASSEMBLY, #18 GREEN .....	1
8	1016122	WIRE ASSEMBLY, #18 WHITE/BLACK .....	1
9	1018110	WIRE ASSEMBLY, #6 BLUE .....	1
10	1015769	WIRE ASSEMBLY, #6 WHITE .....	1
11	1014854	WIRE ASSEMBLY, #6 ORANGE .....	1
12	1017993	WIRE ASSEMBLY, #18 RED/WHITE .....	1
13	1018109	WIRE ASSEMBLY, #6 BLUE .....	1
14	1015858	WIRE ASSEMBLY, #6 YELLOW .....	1
15	1015860	WIRE ASSEMBLY, #6 GREEN .....	1
16	1017957-01	WIRE ASSEMBLY, #6 BLACK .....	5
17	1018565	WIRE ASSEMBLY, #18 RED .....	1
18	1016133	WIRE ASSEMBLY, #18 BLUE .....	1
19	1017967-01	WIRE ASSEMBLY, #18 ORANGE/WHITE .....	1
20	1017394	WIRE ASSEMBLY, #18 GREEN/WHITE .....	1
21	N/A	WIRE ASSEMBLY, #10 BLACK (PART OF ON-BOARD COMPUTER ASSEMBLY) .....	1
22	N/A	WIRE ASSEMBLY, #18 GRAY (PART OF ON-BOARD COMPUTER ASSEMBLY) .....	1
23	N/A	WIRE ASSEMBLY, #10 RED (PART OF FUSE AND RECEPTACLE ASSEMBLY) .....	1
24	N/A	WIRE ASSEMBLY, #18 YELLOW (PART OF ON-BOARD COMPUTER ASSEMBLY) .....	1
25	N/A	WIRE ASSEMBLY, #18 RED (PART OF ON-BOARD COMPUTER ASSEMBLY) .....	1
26	N/A	WIRE ASSEMBLY, #10 BLACK (PART OF ON-BOARD COMPUTER ASSEMBLY) .....	1
27	1018278-01	KIT, WIRE AND TERMINAL, #6 BLACK .....	1
28	1018376-01	WIRE ASSEMBLY, #6 RED .....	1
29	1017948	ASSEMBLY, DIODE .....	1
30	1017947	ASSEMBLY, RESISTOR .....	1

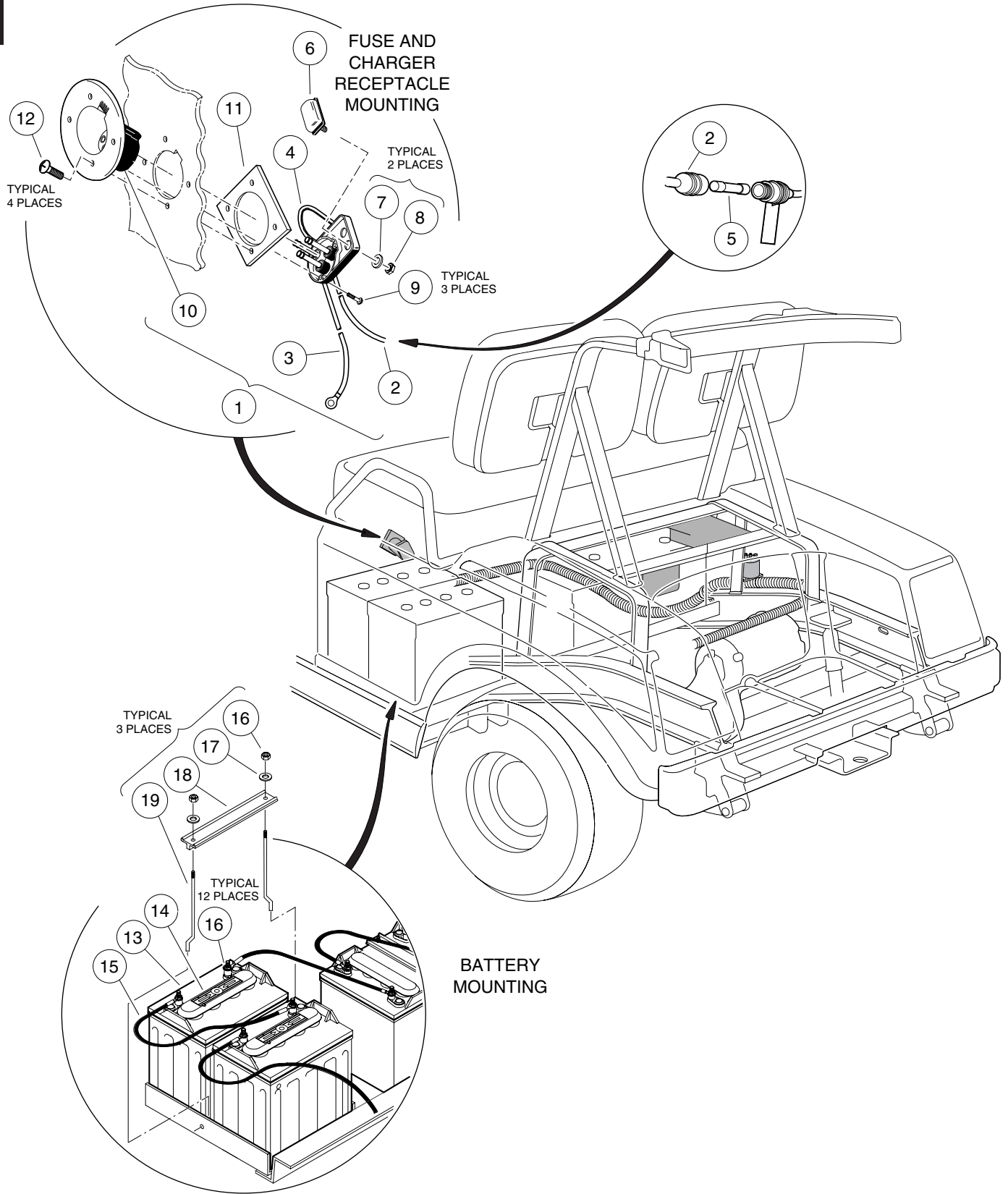


# FORWARD AND REVERSE SWITCH POWERDRIVE SYSTEM 48 VEHICLE

**12**

**E**

ITEM	PART NO.	DESCRIPTION	QTY
		1 2 3 4	
1	1017530-05	ASSEMBLY, FORWARD AND REVERSE SWITCH (INCLUDES ITEMS 2 - 9) .....	1
2	1014807	SWITCH, LIMIT .....	1
3	1014808	SWITCH, LIMIT .....	2
4	0008057	NUT, HEX, #4 - 40 .....	2
5	0008058	WASHER, LOCK, #4 .....	2
6	1014871	SCREW, HEX WASHER HEAD, #4 - 40 x 2 .....	2
7	1017799	BAR, BUS.....	2
8	0000451	WASHER, LOCK, 1/4 .....	4
9	0001028	NUT, HEX, 1/4 - 20 .....	4
10	1012987	HANDLE, FORWARD AND REVERSE SWITCH .....	1
11	1013198	SCREW, PHILLIPS HEAD MACHINE, #8 - 32 x 5/8 .....	1
12	1016845	SCREW, PHILLIPS TRUSS HEAD, 1/4 - 20 x 2 1/8 .....	3
13	0008233	NUT, NYLON LOCK, 1/4 - 20 .....	3



# ELECTRICAL COMPONENTS, REAR BODY POWERDRIVE SYSTEM 48 VEHICLE

**12**

**E**

ITEM	PART NO.	DESCRIPTION	QTY
		1 2 3 4	
1	1018021-01	KIT, FUSE AND RECEPTACLE (INCLUDES ITEMS 2 - 10) .....	1
2	N/A	WIRE ASSEMBLY, SENSE LEAD, GRAY .....	1
3	N/A	WIRE ASSEMBLY, #10 RED .....	1
4	N/A	WIRE ASSEMBLY, #10 BLACK .....	1
5	1018949-01	ASSEMBLY, FUSE, 3/8 AMP .....	1
6	1017968-01	ASSEMBLY, FUSE, 48 VOLT (INCLUDES ITEMS 7 AND 8) .....	1
7	1018038	WASHER, NARROW TYPE 13, #10 .....	2
8	1018028	NUT, SERRATED, #10 - 32 .....	2
9	1017705	SCREW, PHILLIPS PAN HEAD, #8 TYPE AB .....	3
10	1017965-01	BEZEL, RECEPTACLE .....	1
11	1018010-01	PLATE, RECEPTACLE BACKING .....	1
12	1018320-01	SCREW, PHILLIPS PAN HEAD, #7 - 18 x 3/4 .....	4
13	1017977-01	BATTERY, 8 VOLT POWERDRIVE .....	6
13	1017977-02	BATTERY, 8 VOLT POWERDRIVE, DRY .....	6
14	1017978-01	CAP, BATTERY, 4 PORT GANG .....	6
15	1017957-01	WIRE ASSEMBLY, #6 BLACK .....	5
16	1014304	NUT, STAINLESS STEEL HEX, 5/16 - 18 .....	18
17	1011578	WASHER, FLAT, TYPE B WIDE, 5/16 .....	6
18	1018030-01	HOLD-DOWN, BATTERY .....	3
19	1013683	BOLT, "J" .....	6



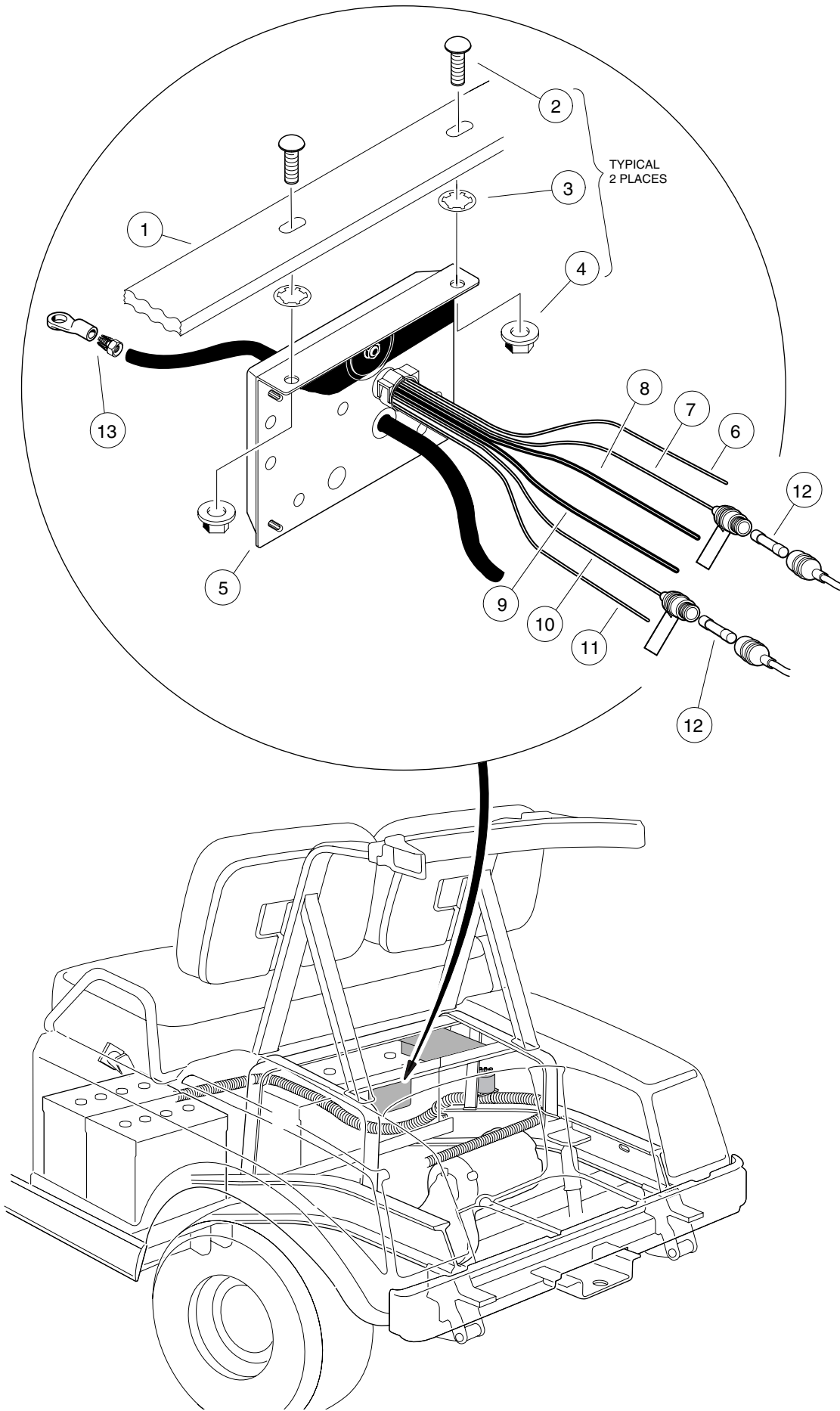


# ELECTRICAL COMPONENTS, REAR BODY POWERDRIVE SYSTEM 48 VEHICLE

12

E

ITEM	PART NO.	DESCRIPTION	QTY
		1 2 3 4	
1	1018402-01	CONTROLLER, 48 VOLT (225 AMP) .....	1
2	1016631	NUT, PUSH .....	4
3	1017203	BOLT, CARRIAGE, 1/4 - 20 x 1 .....	6
4	1018356-01	NUT, HEX FLANGED LOCK, 1/4 - 20 .....	6
5	0007174	WASHER, LOCK, 5/16 .....	5
6	0001242	NUT, HEX, 5/16 - 18 .....	5
7	0001241	WASHER, FLAT, 5/16 .....	6
8	0007173	BOLT, HEX HEAD, 5/16 - 18 x 3/4 .....	2
9	0001218	BOLT, HEX HEAD, 5/16 - 18 x 1 1/4 .....	1
10	1018070-01	SOLENOID, 48 VOLT .....	1
11	1015838	BRACKET, SOLENOID MOUNTING .....	1
12	0007847	BOLT, HEX HEAD, 1/4 - 20 x 3/4 .....	2
13	0000451	WASHER, LOCK, 1/4 .....	4
14	0000332	WASHER, FLAT, 1/4 .....	2
15	0007893	NUT, HEX, #10 - 32 .....	2
16	1014947	ASSEMBLY, RESISTOR .....	1
17	1014948	ASSEMBLY, DIODE .....	1
18	0001028	NUT, HEX, 1/4 - 20 .....	4
19	1019026-01	BOOT, WIRE .....	1
20	0000304	BOLT, HEX HEAD, 1/4 - 20 x 1 .....	2
21	1015837	PLATE, CONTROLLER MOUNTING .....	1

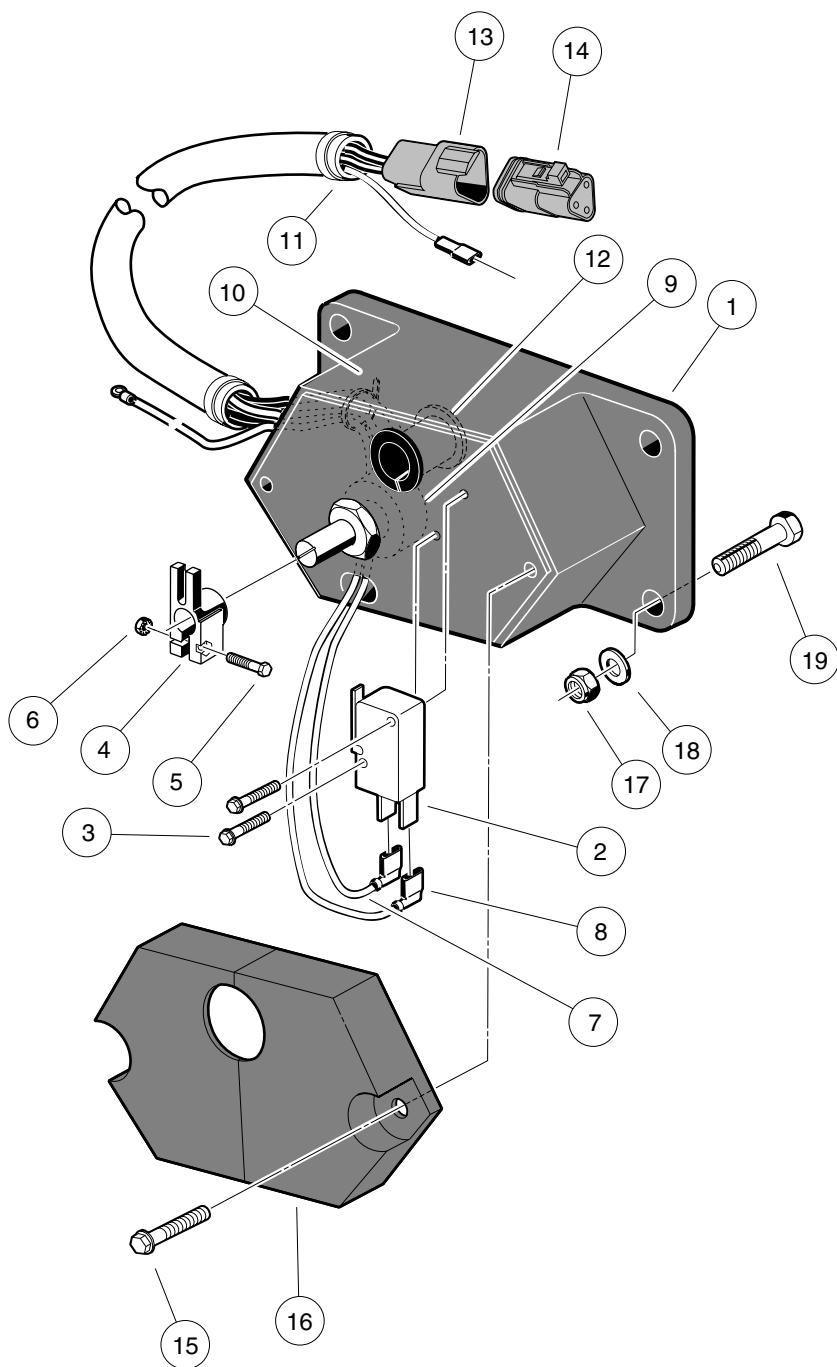


# ON-BOARD COMPUTER POWERDRIVE SYSTEM 48 VEHICLE

**12**

**E**

ITEM	PART NO.	DESCRIPTION	QTY
		1 2 3 4	
1	1015837	PLATE, CONTROLLER MOUNTING .....	1
2	1017203	BOLT, CARRIAGE, 1/4 - 20 x 1 .....	2
3	1016631	NUT, PUSH, 3/16 .....	2
4	1018356-01	NUT, HEX FLANGED LOCK, 1/4 - 20 .....	2
5	1018006-01	COMPUTER, ON-BOARD (INCLUDES ITEMS 6 - 13) .....	1
6	N/A	WIRE ASSEMBLY, #18 BROWN .....	1
7	N/A	WIRE ASSEMBLY, #18 GRAY .....	1
8	N/A	WIRE ASSEMBLY, #10 BLACK .....	1
9	N/A	WIRE ASSEMBLY, #10 BLACK .....	1
10	N/A	WIRE ASSEMBLY, #18 RED .....	1
11	N/A	WIRE ASSEMBLY, #18 YELLOW .....	1
12	1018949-01	FUSE ASSEMBLY, 3/8 AMP .....	2
13	1018278-01	KIT, WIRE AND TERMINAL, #6 BLACK .....	1



# CONTINUOUSLY VARIABLE POTENTIOMETER POWERDRIVE SYSTEM 48 AND POWERDRIVE PLUS

12

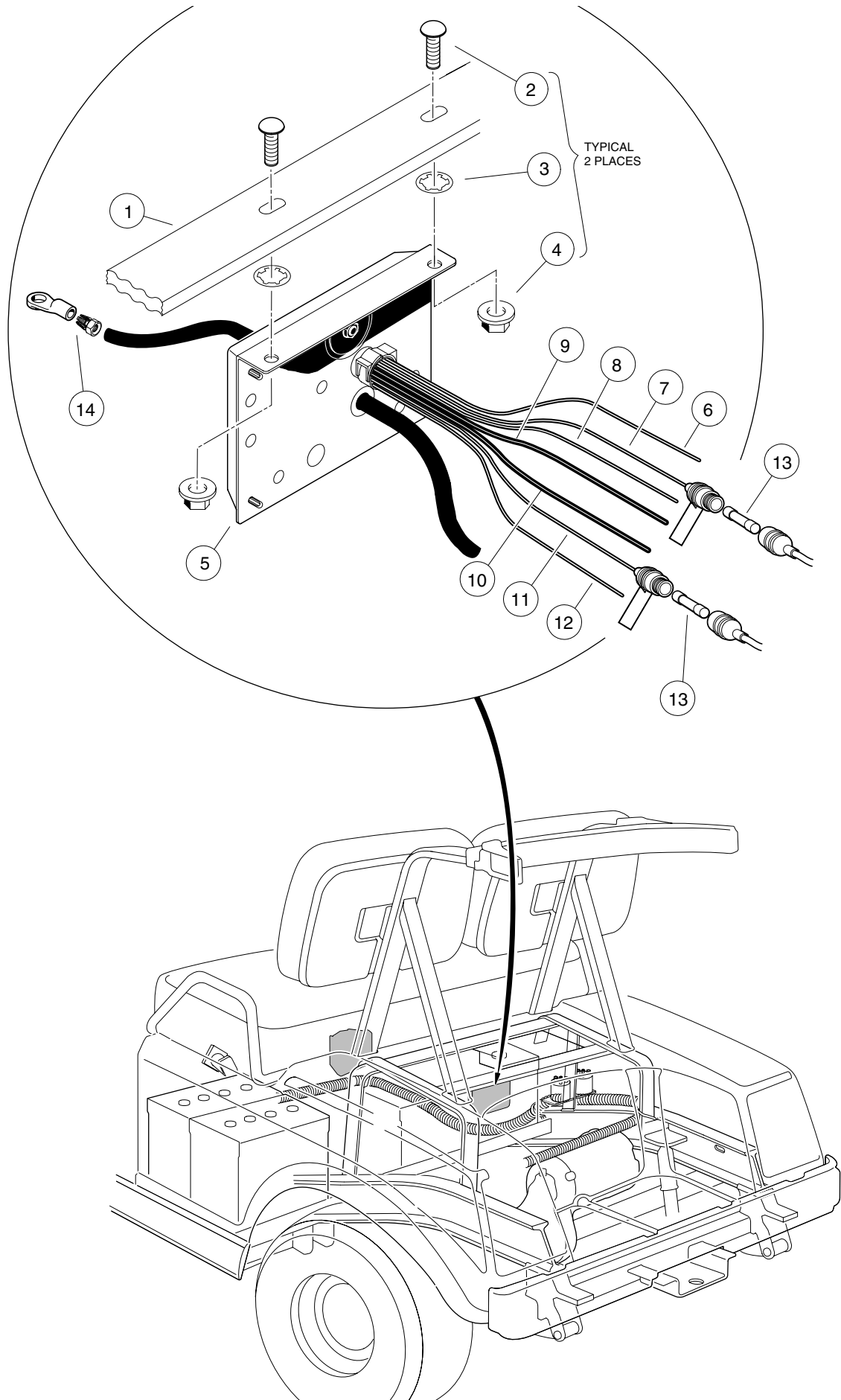
E

ITEM	PART NO.	DESCRIPTION	QTY
		1 2 3 4	
	1017392-01	ASSEMBLY, POTENTIOMETER HOUSING WITH GRAY PLUG (INCLUDES ITEMS 1 - 13) .....	1
1	N/A	HOUSING, POTENTIOMETER .....	1
2	1017830	SWITCH, LIMIT .....	1
3	1018226-01	SCREW, HEX HEAD, #4 - 24 .....	2
4	1018090-01	LEVER, POTENTIOMETER .....	1
5	1017853	SCREW, HEX HEAD, #6 - 32 x 3/4 .....	1
6	1011229	NUT, LOCK, "K", #6 - 32 .....	1
7	1017393	WIRE ASSEMBLY, #18 BLUE .....	1
8	1017394	WIRE ASSEMBLY, #18 GREEN/WHITE .....	1
9	N/A	POTENTIOMETER .....	1
10	0008168	WRAP, TIE .....	3
11	N/A	CONDUIT, ELECTRICAL .....	1
12	1017424	BEARING, PIVOT SUPPORT .....	1
13	1018951-01	HOUSING, FEMALE, 3-WIRE, GRAY .....	1
14	1019201-01	HOUSING, MALE, 3-WIRE, GRAY .....	1
15	1018043-01	SCREW, HI-LO HEX HEAD, #8 - 18 x 1/2 .....	2
16	1017743	COVER, ACCELERATOR .....	1
17	0008233	NUT, NYLON LOCK, 1/4 - 20 .....	4
18	0000332	WASHER, FLAT, 1/4 .....	4
19	1018619-01	SCREW, HEX HEAD CAP, 1/4 - 20 x 1 1/8 .....	4



# WIRING - POWERDRIVE PLUS VEHICLE

ITEM	PART NO.	DESCRIPTION	QTY
		1 2 3 4	
	1018608-01	WIRE HARNESS (INCLUDES ITEMS 1 - 22) .....	1
1	1018569-01	WIRE ASSEMBLY, #18 BROWN .....	1
2	1018556-01	WIRE ASSEMBLY, #18 GREEN .....	1
3	1018533-01	WIRE ASSEMBLY, #18 GREEN/WHITE .....	1
4	1018529-01	WIRE ASSEMBLY, #18 PURPLE .....	1
5	1018523-01	WIRE ASSEMBLY, #18 ORANGE .....	1
6	1018525-01	WIRE ASSEMBLY, #18 BLUE .....	1
7	1016121	WIRE ASSEMBLY, #18 GREEN .....	1
8	1018531-01	WIRE ASSEMBLY, #18 RED .....	1
9	1018522-01	WIRE ASSEMBLY, #18 BLACK .....	1
10	1018521-01	WIRE ASSEMBLY, #18 WHITE .....	1
11	1018524-01	WIRE ASSEMBLY, #18 RED/WHITE .....	1
12	1016135	WIRE ASSEMBLY, #18 RED .....	1
13	1018526-01	WIRE ASSEMBLY, #18 WHITE/BLACK .....	1
14	1017956	WIRE ASSEMBLY, #18 BROWN .....	1
15	1018530-01	WIRE ASSEMBLY, #18 YELLOW .....	1
16	1018519-01	WIRE ASSEMBLY, #18 BLUE .....	1
17	1018528-01	WIRE ASSEMBLY, #18 BLUE/WHITE .....	1
18	1018538-01	WIRE ASSEMBLY, #18 ORANGE/WHITE .....	1
19	1018539-01	WIRE ASSEMBLY, #18 YELLOW .....	1
20	1018540-01	WIRE ASSEMBLY, #18 GREEN .....	1
21	1018543-01	WIRE ASSEMBLY, #18 RED .....	1
22	1018544-01	WIRE ASSEMBLY, #18 BLACK .....	1
23	1018278-01	KIT, WIRE AND TERMINAL, #6 BLACK .....	1
24	1017967-01	WIRE ASSEMBLY, #18 ORANGE/WHITE .....	1
25	1018565-01	WIRE ASSEMBLY, #18 RED .....	1
26	1018376-01	WIRE ASSEMBLY, #6 RED .....	1
27	1017957	WIRE ASSEMBLY, #6 BLACK .....	5
28	1017394	WIRE ASSEMBLY, #18 GREEN/WHITE .....	1
29	1016133	WIRE ASSEMBLY, #18 BLUE .....	1
30	1018535-01	WIRE ASSEMBLY, #10 ORANGE .....	1
31	1018536-01	WIRE ASSEMBLY, #10 BLUE .....	1
32	1015860	WIRE ASSEMBLY, #6 GREEN .....	3
33	1015861	WIRE ASSEMBLY, #6 WHITE .....	2
34	1015858	WIRE ASSEMBLY, #6 YELLOW .....	1
35	1018610-01	WIRE ASSEMBLY, #18 BLACK/WHITE .....	1
36	1018609-01	WIRE ASSEMBLY, #18 BLACK .....	2
37	N/A	WIRE ASSEMBLY, #18 GREEN (PART OF ON-BOARD COMPUTER ASSEMBLY) .....	1
38	N/A	WIRE ASSEMBLY, #10 BLACK (PART OF ON-BOARD COMPUTER ASSEMBLY) .....	1
39	N/A	WIRE ASSEMBLY, #18 GRAY (PART OF ON-BOARD COMPUTER ASSEMBLY) .....	1
40	N/A	WIRE ASSEMBLY, #10 RED (PART OF FUSE AND RECEPTACLE ASSEMBLY) .....	1
41	N/A	WIRE ASSEMBLY, #18 YELLOW (PART OF ON-BOARD COMPUTER ASSEMBLY) .....	1
42	N/A	WIRE ASSEMBLY, #18 RED (PART OF ON-BOARD COMPUTER ASSEMBLY) .....	1
43	N/A	WIRE ASSEMBLY, #10 BLACK (PART OF ON-BOARD COMPUTER ASSEMBLY) .....	1



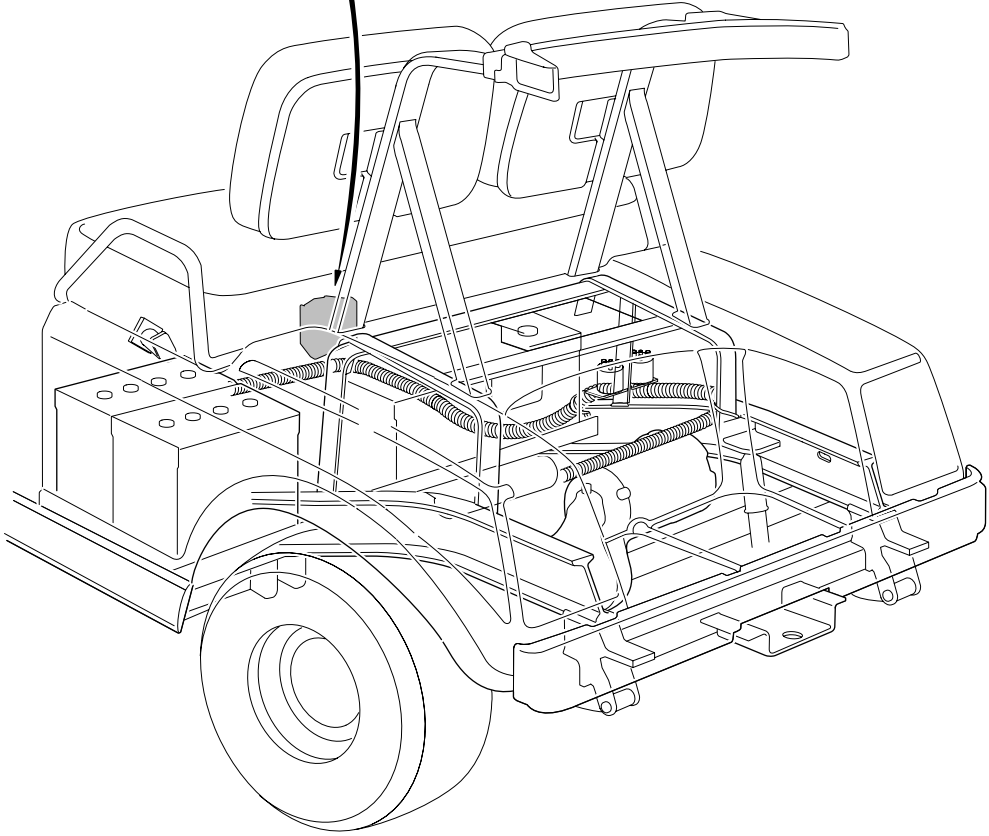
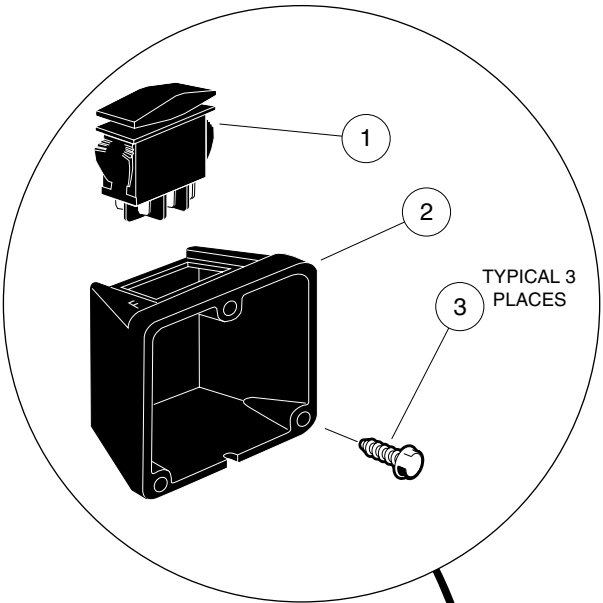


# ON-BOARD COMPUTER POWERDRIVE PLUS VEHICLE

**12**

**E**

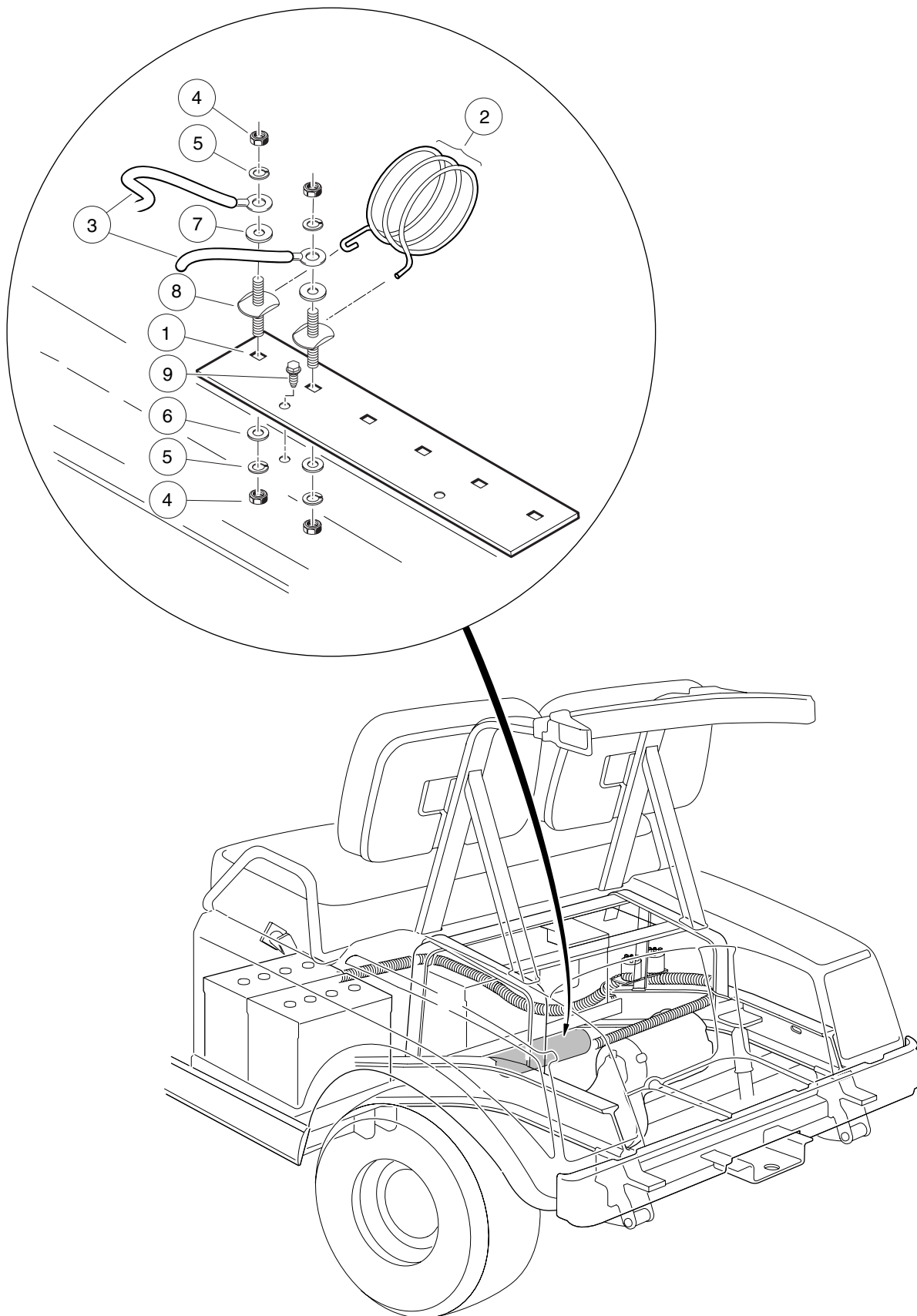
ITEM	PART NO.	DESCRIPTION	QTY
		1 2 3 4	
1	1015837	PLATE, CONTROLLER MOUNTING .....	1
2	1017203	BOLT, CARRIAGE, 1/4 - 20 x 1 .....	2
3	1016631	NUT, PUSH, 3/16 .....	2
4	1018356-01	NUT, HEX FLANGED LOCK, 1/4 - 20 .....	2
5	1018006-03	COMPUTER, ON-BOARD (INCLUDES ITEMS 6 - 14) .....	1
6	N/A	WIRE ASSEMBLY, #18 BROWN .....	1
7	N/A	WIRE ASSEMBLY, #18 GRAY .....	1
8	N/A	WIRE ASSEMBLY, #18 GREEN .....	1
9	N/A	WIRE ASSEMBLY, #10 BLACK .....	1
10	N/A	WIRE ASSEMBLY, #10 BLACK .....	1
11	N/A	WIRE ASSEMBLY, #18 RED .....	1
12	N/A	WIRE ASSEMBLY, #18 YELLOW .....	1
13	1018949-01	FUSE ASSEMBLY, 3/8 AMP .....	2
14	1018278-01	KIT, WIRE AND TERMINAL, #6 BLACK .....	1



# FORWARD AND REVERSE SWITCH POWERDRIVE PLUS VEHICLE

12  
E

ITEM	PART NO.	DESCRIPTION	QTY
		1 2 3 4	
1	1018560-01	SWITCH, FORWARD AND REVERSE .....	1
2	1018550-01	CASE, FORWARD AND REVERSE SWITCH .....	1
3	1018561-01	SCREW, HI-LO HEX HEAD, 1/4 .....	3

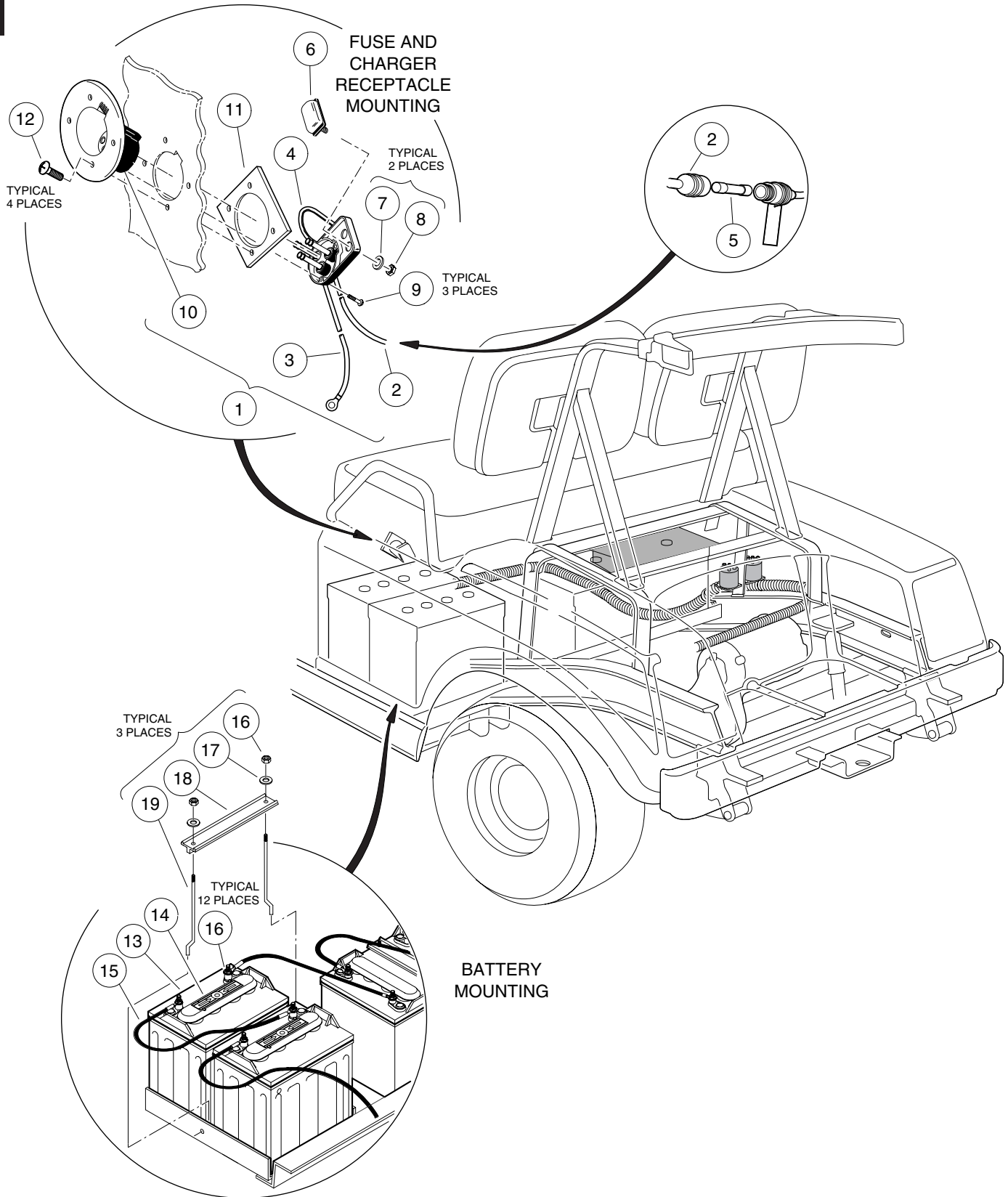


# ENERGY DISPLACEMENT MODULE POWERDRIVE PLUS VEHICLE

**12**

**E**

ITEM	PART NO.	DESCRIPTION	QTY
		1 2 3 4	
	1018566-01	ASSEMBLY, RESISTOR BOARD (INCLUDES ITEMS 1 - 8) .....	1
1	1014728	BOARD, RESISTOR MOUNTING .....	1
2	1014729	RESISTOR .....	1
3	1015860	WIRE ASSEMBLY, #6 GREEN .....	2
4	0001028	NUT, HEX, 1/4 - 20 .....	4
5	0000451	WASHER, LOCK, 1/4 .....	2
6	0000332	WASHER, FLAT, 1/4 .....	2
7	1011931	WASHER, FLAT, 1/4 .....	2
8	1014045	STANDOFF, RESISTOR COIL .....	2
9	1012285	SCREW, THREAD ROLLING, 1/4 - 20 x 5/8 .....	2

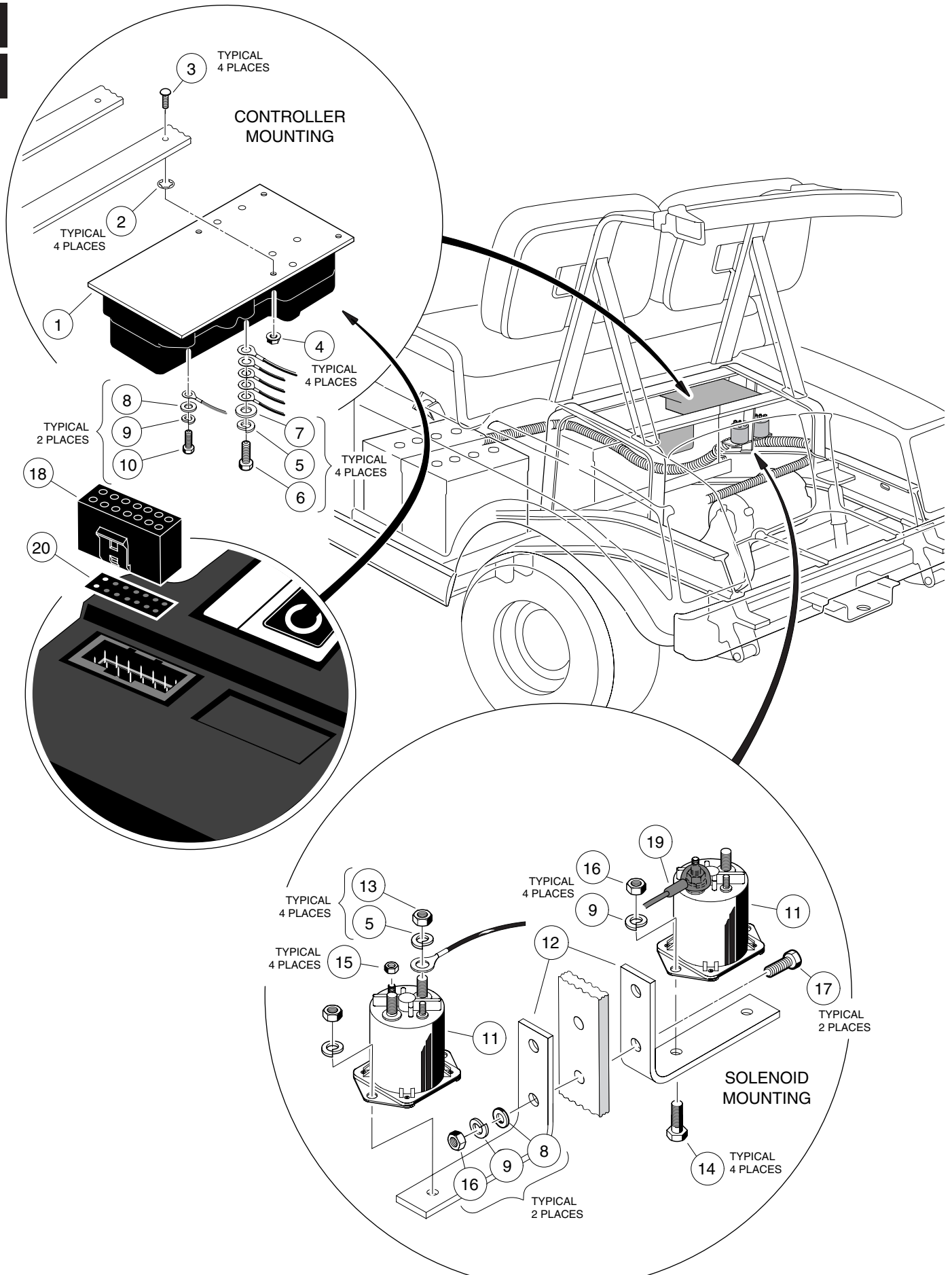


# ELECTRICAL COMPONENTS, REAR BODY POWERDRIVE PLUS VEHICLE

12

E

ITEM	PART NO.	DESCRIPTION	QTY
		1 2 3 4	
1	1018021-01	KIT, FUSE AND RECEPTACLE (INCLUDES ITEMS 2 - 10) .....	1
2	N/A	WIRE ASSEMBLY, SENSE LEAD, GRAY .....	1
3	N/A	WIRE ASSEMBLY, #10 RED .....	1
4	N/A	WIRE ASSEMBLY, #10 BLACK .....	1
5	1018949-01	ASSEMBLY, FUSE, 3/8 AMP .....	1
6	1017968-01	ASSEMBLY, FUSE, 48 VOLT (INCLUDES ITEMS 7 AND 8) .....	1
7	1018038	WASHER, NARROW TYPE 13, #10 .....	2
8	1018028	NUT, SERRATED, #10 - 32 .....	2
9	1017705	SCREW, PHILLIPS PAN HEAD, #8 TYPE AB .....	3
10	1017965-01	BEZEL, RECEPTACLE .....	1
11	1018010-01	PLATE, RECEPTACLE BACKING .....	1
12	1018320-01	SCREW, PHILLIPS PAN HEAD, #7 - 18 x 3/4 .....	4
13	1017977-01	BATTERY, 8 VOLT POWERDRIVE .....	6
13	1017977-02	BATTERY, 8 VOLT POWERDRIVE, DRY .....	6
14	1017978-01	CAP, BATTERY, 4 PORT GANG .....	6
15	1017957	WIRE ASSEMBLY, #6 BLACK .....	5
16	1014304	NUT, STAINLESS STEEL HEX, 5/16 - 18 .....	18
17	1011578	WASHER, FLAT, TYPE B WIDE, 5/16 .....	6
18	1018030-01	HOLD-DOWN, BATTERY .....	3
19	1013683	BOLT, "J" .....	6





# ELECTRICAL COMPONENTS, REAR BODY POWERDRIVE PLUS VEHICLE

12

E

ITEM	PART NO.	DESCRIPTION	QTY
		1 2 3 4	
1	1018537-01	CONTROLLER, 48 VOLT .....	1
2	1016631	NUT, PUSH .....	4
3	1017203	BOLT, CARRIAGE, 1/4 - 20 x 1 .....	4
4	1018356-01	NUT, HEX FLANGED LOCK, 1/4 - 20 .....	4
5	0007174	WASHER, LOCK, 5/16 .....	8
6	1015331	BOLT, HEX HEAD, M8 x 1 1/4 x 25MM .....	4
7	0001241	WASHER, FLAT, 5/16 .....	4
8	0000332	WASHER, FLAT, 1/4 .....	4
9	0000451	WASHER, LOCK, 1/4 .....	8
10	1018557-01	BOLT, HEX HEAD, M6 x 1 x 25MM .....	2
11	1018070-01	SOLENOID, 48 VOLT .....	2
12	1015838	BRACKET, SOLENOID MOUNTING .....	2
13	0001242	NUT, HEX, 5/16 - 18 .....	4
14	0007847	BOLT, HEX HEAD, 1/4 - 20 x 3/4 .....	4
15	0007893	NUT, HEX, #10 - 32 .....	4
16	0001028	NUT, HEX, 1/4 - 20 .....	6
17	0000304	BOLT, HEX HEAD, 1/4 - 20 x 1 .....	2
18	1018555-01	"Z" PLUG .....	1
19	1019026-01	BOOT, WIRE .....	1
20	1018554-01	SEAL, Z PLUG.....	1

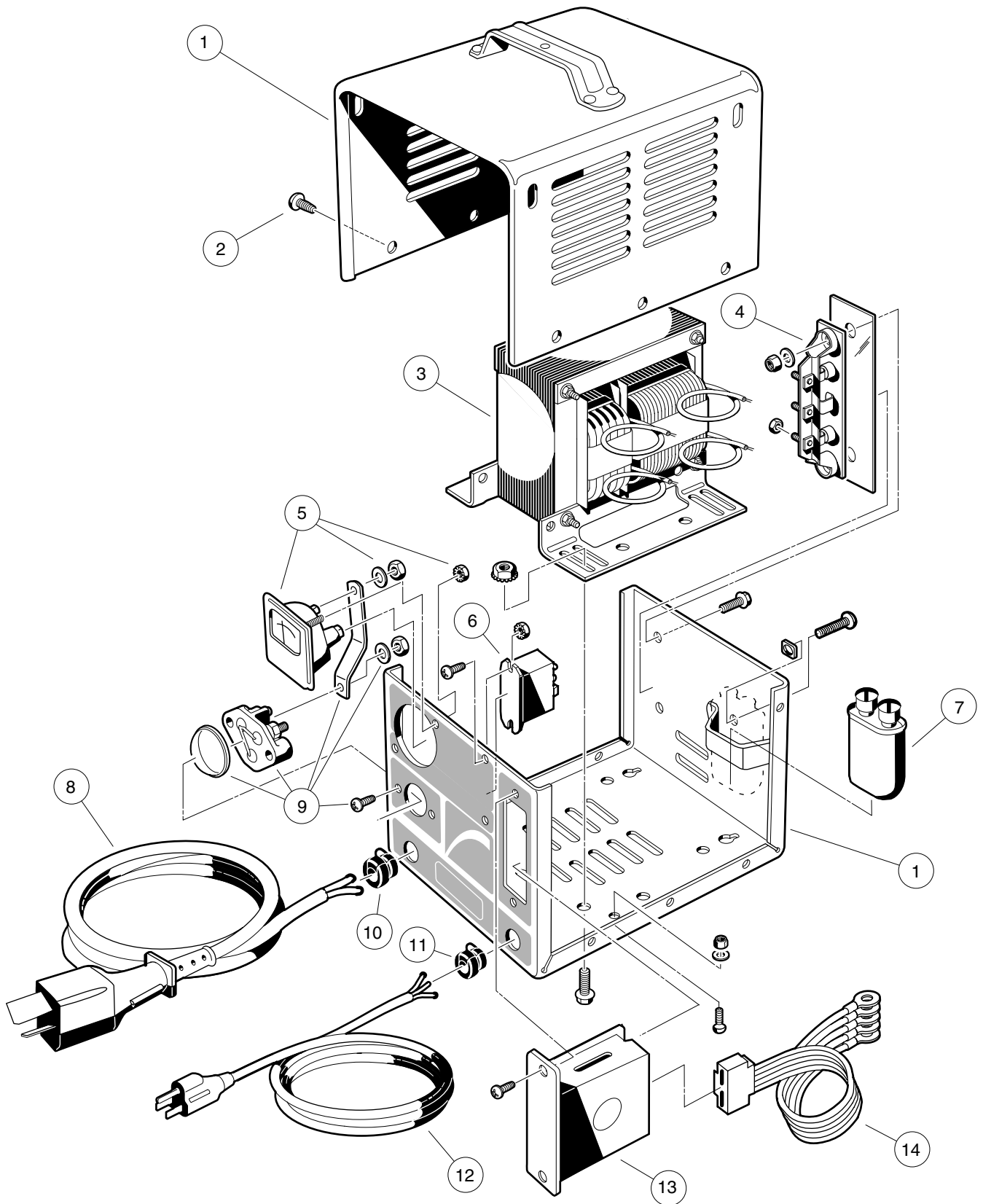


# BATTERY CHARGERS

---

13

E

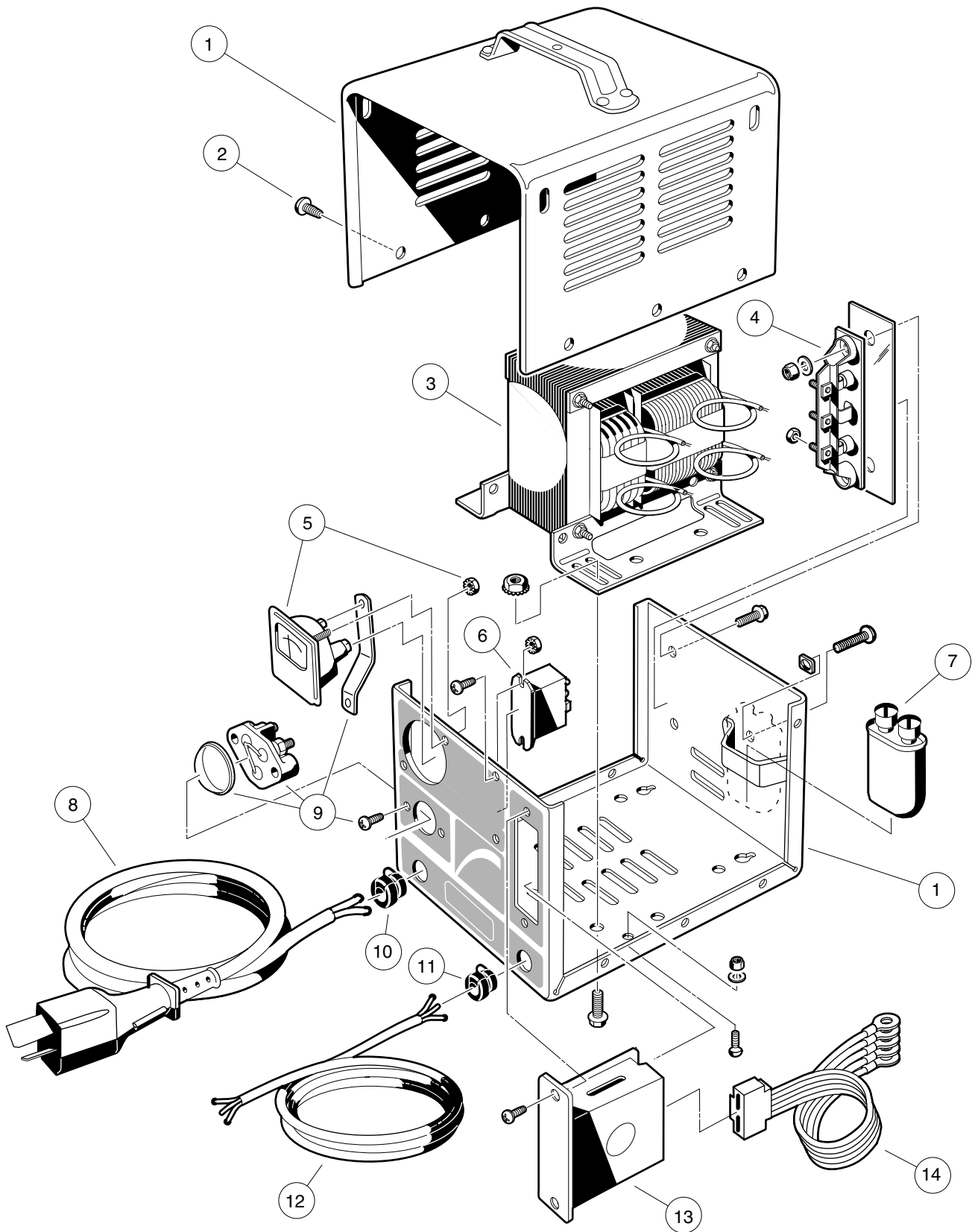


# ACCU-POWER CHARGER, DOMESTIC V-GLIDE 36 VOLT VEHICLE

**13**

**E**

ITEM	PART NO.	DESCRIPTION	QTY
		1 2 3 4	
	1016464-01	CHARGER, ACCU-POWER, DOMESTIC, 120 VAC, 36 VDC, 60 HZ (MODEL NUMBER 13800-11) (INCLUDES ITEMS 1 - 14 ) 108 IN. DC CORD, 72 IN. AC CORD .....	1
1	1015907	ASSEMBLY, CASE (INCLUDES FASTENERS) .....	1
2	0007577	SCREW, PAN HEAD, SELF-TAPPING, #10 - 16 x 1/2 .....	10
3	1015912	ASSEMBLY, TRANSFORMER .....	1
4	1015914	ASSEMBLY, HEATSINK, WITH DIODES (INCLUDES MOUNTING HARDWARE) .....	1
5	1015905	AMMETER (INCLUDES MOUNTING HARDWARE) .....	1
6	1015911	36 VDC RELAY .....	1
7	1015910	CAPACITOR .....	1
8	1016433-01	CORDSET, DC, 108 INCHES LONG (STANDARD) 12 AWG .....	1
8	1016433-02	CORDSET, DC, 146 INCHES LONG, 10 AWG .....	1
8	1016433-03	CORDSET, DC, 242 INCHES LONG, 10 AWG .....	1
9	1012101	ASSEMBLY, FUSE (INCLUDES HARDWARE) .....	1
10	1012098	BUSHING, STRAIN RELIEF, 12 AWG DC CORD .....	1
10	1012042	BUSHING, STRAIN RELIEF, 10 AWG DC CORD .....	1
11	1015917	BUSHING, STRAIN RELIEF, AC CORD .....	1
12	1015916-01	CORDSET, AC, 72 INCHES LONG (STANDARD) .....	1
12	1015916-02	CORDSET, AC, 108 INCHES LONG .....	1
13	1015906	ASSEMBLY, TIMER KIT (INCLUDES MOUNTING HARDWARE) .....	1
14	1015913	ASSEMBLY, CONTROL CABLE .....	1

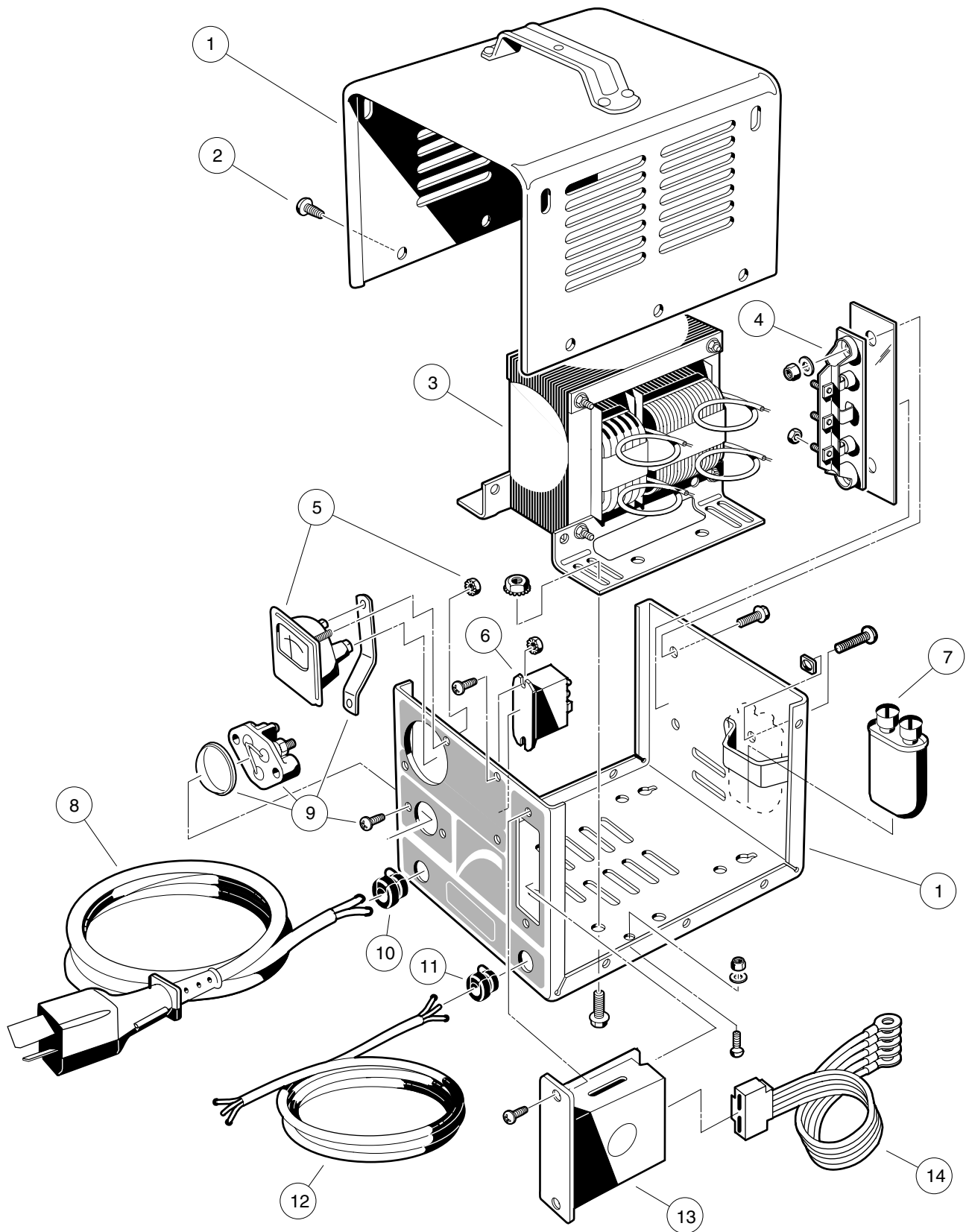


# ACCU-POWER CHARGER, EXPORT, 230 VOLT V-GLIDE 36 VOLT VEHICLE

**13**

**E**

ITEM	PART NO.	DESCRIPTION	QTY
		1 2 3 4	
	1016434-01	CHARGER, ACCU-POWER, EXPORT, 230 VAC, 36 VDC, 50 HZ (MODEL NUMBER 14410-11) (INCLUDES ITEMS 1 - 14) 108 IN. DC CORD, 108 IN. AC CORD .....	1
1	1015907	ASSEMBLY, CASE (INCLUDES FASTENERS) .....	1
2	0007577	SCREW, PAN HEAD, SELF-TAPPING, #10 - 16 x 1/2 .....	10
3	1015936	ASSEMBLY, TRANSFORMER .....	1
4	1015914	ASSEMBLY, HEATSINK, WITH DIODES (INCLUDES MOUNTING HARDWARE) .....	1
5	1015905	AMMETER (INCLUDES MOUNTING HARDWARE) .....	1
6	1015911	36 VDC RELAY .....	1
7	1015910	CAPACITOR .....	1
8	1016433-01	CORDSET, DC, 108 INCHES LONG, 12 AWG (STANDARD) .....	1
8	1016433-02	CORDSET, DC, 146 INCHES LONG, 10 AWG .....	1
8	1016433-03	CORDSET, DC, 242 INCHES LONG, 10 AWG .....	1
9	1012101	ASSEMBLY, FUSE (INCLUDES MOUNTING HARDWARE) .....	1
10	1012098	BUSHING, STRAIN RELIEF, 12 AWG DC CORD .....	1
10	1012042	BUSHING, STRAIN RELIEF, 10 AWG DC CORD .....	1
11	1015917	BUSHING, STRAIN RELIEF, AC CORD .....	1
12	1014696	CORDSET, AC, 108 INCHES LONG (STANDARD) .....	1
13	1015906	ASSEMBLY, TIMER KIT (INCLUDES MOUNTING HARDWARE) .....	1
14	1015913	ASSEMBLY, CONTROL CABLE .....	1



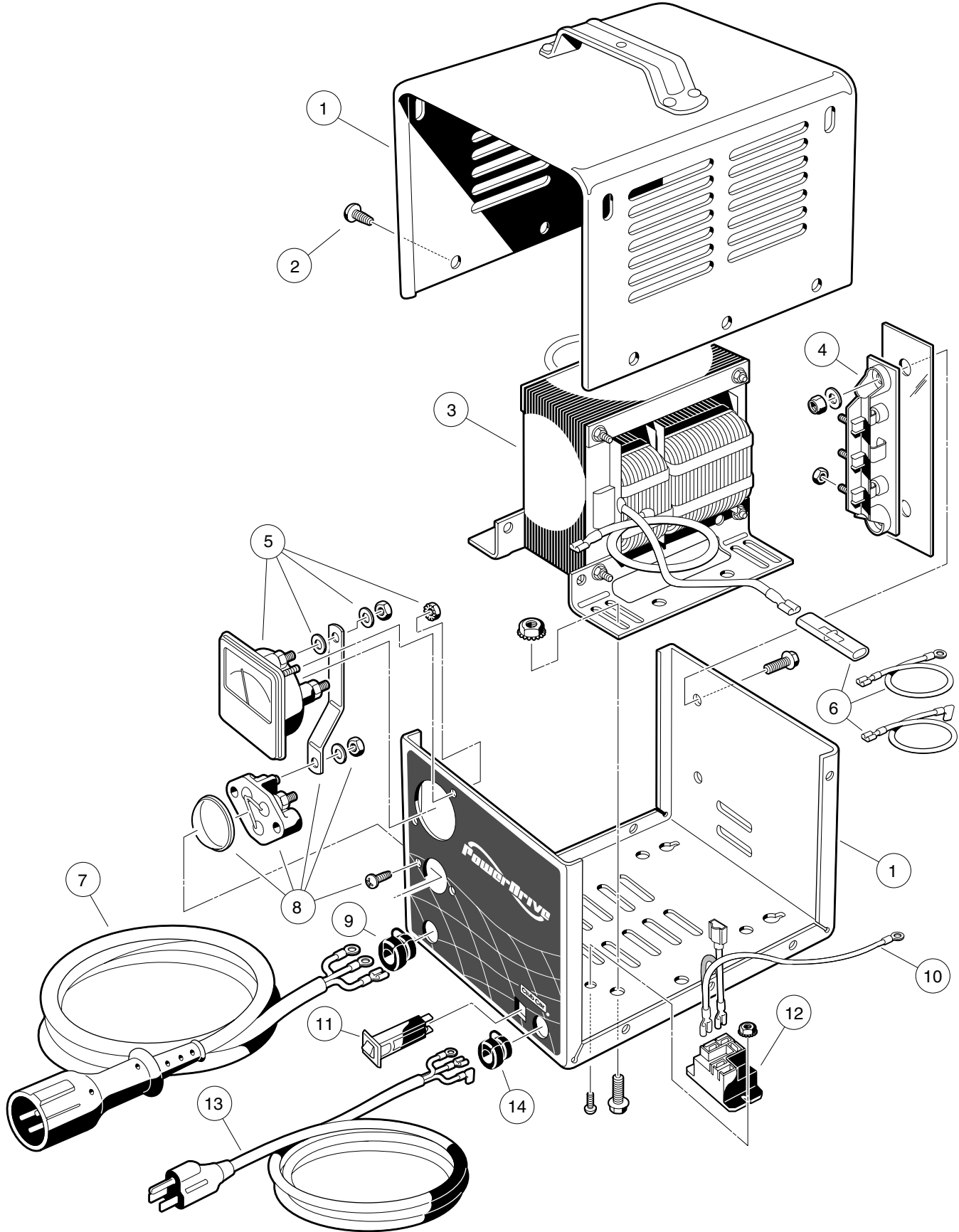


# ACCU-POWER CHARGER, EXPORT, 100 VOLT V-GLIDE 36 VOLT VEHICLE

**13**

**E**

ITEM	PART NO.	DESCRIPTION	QTY
		1 2 3 4	
	1016462-01	CHARGER, ACCU-POWER, EXPORT, 100 VAC, 36 VDC, 50 HZ (MODEL NUMBER 14900) (INCLUDES ITEMS 1 - 14) 108 IN. DC CORD, 108 IN. AC CORD .....	1
1	1016283	ASSEMBLY, CASE (INCLUDES FASTENERS) .....	1
2	0007577	SCREW, PAN HEAD, SELF-TAPPING, #10 - 16 x 1/2 .....	10
3	1016336	ASSEMBLY, TRANSFORMER .....	1
4	1015914	ASSEMBLY, HEATSINK, WITH DIODES (INCLUDES MOUNTING HARDWARE) .....	1
5	1015905	AMMETER (INCLUDES MOUNTING HARDWARE) .....	1
6	1015911	36 VDC RELAY .....	1
7	1015939	CAPACITOR .....	1
8	1016433-01	CORDSET, DC, 108 INCHES LONG, 12 AWG (STANDARD) .....	1
8	1016433-02	CORDSET, DC, 146 INCHES LONG, 10 AWG .....	1
8	1016433-03	CORDSET, DC, 242 INCHES LONG, 10 AWG .....	1
9	1012101	ASSEMBLY, FUSE (INCLUDES MOUNTING HARDWARE) .....	1
10	1012098	BUSHING, STRAIN RELIEF, 12 AWG DC CORD .....	1
10	1012042	BUSHING, STRAIN RELIEF, 10 AWG DC CORD .....	1
11	1015917	BUSHING, STRAIN RELIEF, AC CORD .....	1
12	1016282	CORDSET, AC, 108 INCHES LONG .....	1
13	1015906	ASSEMBLY, TIMER KIT (INCLUDES MOUNTING HARDWARE) .....	1
14	1015913	ASSEMBLY, CONTROL CABLE .....	1



# POWERDRIVE CHARGER, DOMESTIC POWERDRIVE SYSTEM 48 AND POWERDRIVE PLUS

**13**

**E**

ITEM	PART NO.	DESCRIPTION	QTY
		1 2 3 4	
	1018022-01	CHARGER, BATTERY, POWERDRIVE, DOMESTIC 120VAC 48VDC 60 HZ (MODEL NUMBER 17930-11) (INCLUDES ITEMS 1 - 14) 103 IN. DC CORD WITH MALE 3-PIN PLUG, 12 AWG 74 IN. AC CORD WITH MALE GROUNDED PLUG .....	1
	1018022-02	CHARGER, BATTERY, POWERDRIVE 120VAC 48VDC 60 HZ (MODEL NUMBER 17930-18) (INCLUDES ITEMS 1 - 14) 144 IN. DC CORD WITH MALE 3-PIN PLUG, 12 AWG 108 IN. AC CORD WITH MALE GROUNDED PLUG .....	1
	1018022-03	CHARGER, BATTERY, POWERDRIVE 120VAC 48VDC 60 HZ (MODEL NUMBER 17930-19) (INCLUDES ITEMS 1 - 14) 240 IN. DC CORD WITH MALE 3-PIN PLUG, 12 AWG 108 IN. AC CORD WITH MALE GROUNDED PLUG .....	1
1	1018283-01	ASSEMBLY, CASE (INCLUDES FASTENERS) .....	1
2	0007577	SCREW, PAN HEAD, SELF-TAPPING, #10 - 16 x 1/2 .....	10
3	1018197-01	ASSEMBLY, TRANSFORMER .....	1
4	1015914	ASSEMBLY, HEATSINK, WITH DIODES (INCLUDES MOUNTING HARDWARE) .....	1
5	1018285-01	AMMETER (INCLUDES MOUNTING HARDWARE) .....	1
6	1018311-01	KIT, WIRE ASSEMBLY .....	1
7	1018289-01	CORDSET, DC, 113 INCHES LONG WITH MALE 3-PIN PLUG, 12 AWG .....	1
7	1018289-02	CORDSET, DC, 154 INCHES LONG WITH MALE 3-PIN PLUG, 12 AWG .....	1
7	1018289-03	CORDSET, DC, 250 INCHES LONG WITH MALE 3-PIN PLUG, 12 AWG .....	1
8	1012101	ASSEMBLY, FUSE (INCLUDES MOUNTING HARDWARE) .....	1
9	1012098	BUSHING, STRAIN RELIEF, DC CORD, 12 AWG .....	1
10	1019144-01	ASSEMBLY, VOLTAGE SUPPRESSOR .....	1
11	1018287-01	BREAKER, CIRCUIT, 15 AMP .....	1
12	1018286-01	RELAY, POWER, 48 VDC .....	1
13	1018288-01	CORDSET, AC, 80 INCHES LONG .....	1
13	1018288-02	CORDSET, AC, 116 INCHES LONG .....	1
14	1015917	BUSHING, STRAIN RELIEF, AC CORD .....	1



# POWERDRIVE CHARGER, EXPORT POWERDRIVE SYSTEM 48 AND POWERDRIVE PLUS

**13**

**E**

ITEM	PART NO.	DESCRIPTION	QTY
		1 2 3 4	
	1018315-03	CHARGER, BATTERY, POWERDRIVE, EXPORT WITH 4-POSITION SWITCH 100 - 200 - 220 - 240 VAC, 48 VDC 50/60 HZ (MODEL NUMBER 18780-11) (INCLUDES ITEMS 1 - 16) 103 IN. DC CORD WITH MALE 3-PIN PLUG, 12 AWG 74 IN. AC CORD WITH NO PLUG .....	1
	1018315-04	CHARGER, BATTERY, POWERDRIVE EXPORT WITH 4-POSITION SWITCH 100 - 200 - 220 - 240 VAC, 48 VDC 50/60 HZ (MODEL NUMBER 18780-18) (INCLUDES ITEMS 1 - 16) 144 IN. DC CORD WITH MALE 3-PIN PLUG, 12 AWG 108 IN. AC CORD WITH NO PLUG .....	1
1	1018381-01	ASSEMBLY, CASE (INCLUDES FASTENERS) .....	1
2	0007577	SCREW, PAN HEAD, SELF-TAPPING, #10 - 16 x 1/2 .....	10
3	1018382-01	ASSEMBLY, TRANSFORMER .....	1
4	1015914	ASSEMBLY, HEATSINK, WITH DIODES (INCLUDES MOUNTING HARDWARE) .....	1
5	1019144-01	ASSEMBLY, VOLTAGE SUPPRESSOR .....	1
6	1018385-01	KIT, WIRE ASSEMBLY .....	1
7	1018285-01	AMMETER (INCLUDES HARDWARE) .....	1
8	1018383-01	RELAY, POWER, 48 VDC (INCLUDES MOUNTING HARDWARE) .....	1
9	1018387-01	BRACKET, POWER RELAY MOUNTING .....	1
10	1018386-01	SWITCH, 4-POSITION, SLIDE .....	1
11	1018289-01	CORDSET, DC, 113 INCHES LONG WITH MALE 3-PIN PLUG, 12 AWG .....	1
11	1018289-02	CORDSET, DC, 154 INCHES LONG WITH MALE 3-PIN PLUG, 12 AWG .....	1
11	1018289-03	CORDSET, DC, 250 INCHES LONG WITH MALE 3-PIN PLUG, 12 AWG .....	1
12	1012101	ASSEMBLY, FUSE (INCLUDES HARDWARE) .....	1
13	1012098	BUSHING, STRAIN RELIEF, DC CORD, 12 AWG .....	1
14	1018384-01	BREAKER, CIRCUIT, 15 AMP .....	2
15	1018317-01	CORDSET, AC, 80 INCHES LONG, WITH LEADS (NO PLUG) .....	1
15	1018317-02	CORDSET, AC, 116 INCHES LONG, WITH LEADS (NO PLUG) .....	1
16	1015917	BUSHING, STRAIN RELIEF, AC CORD .....	1

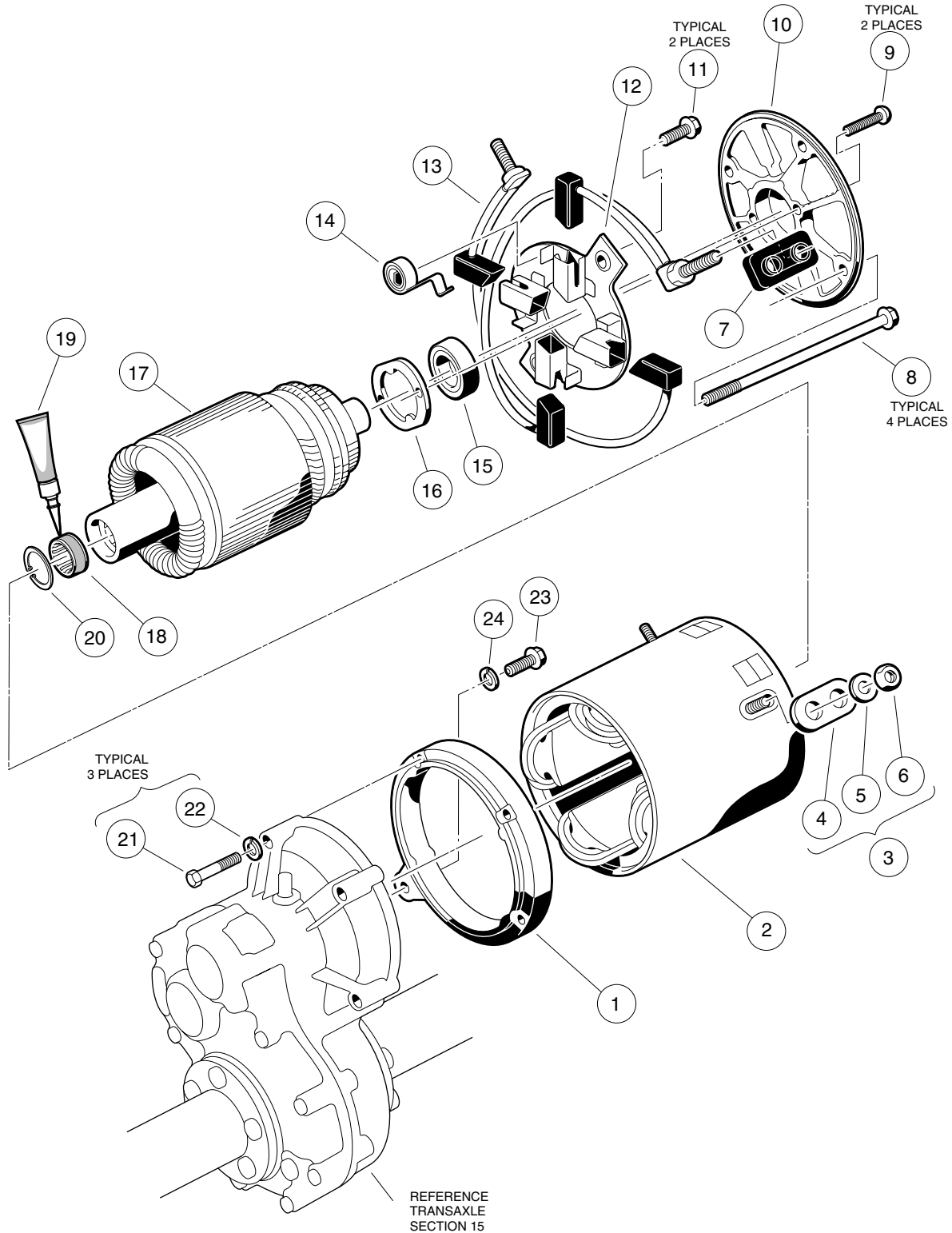


# ELECTRIC MOTOR

---

14

E



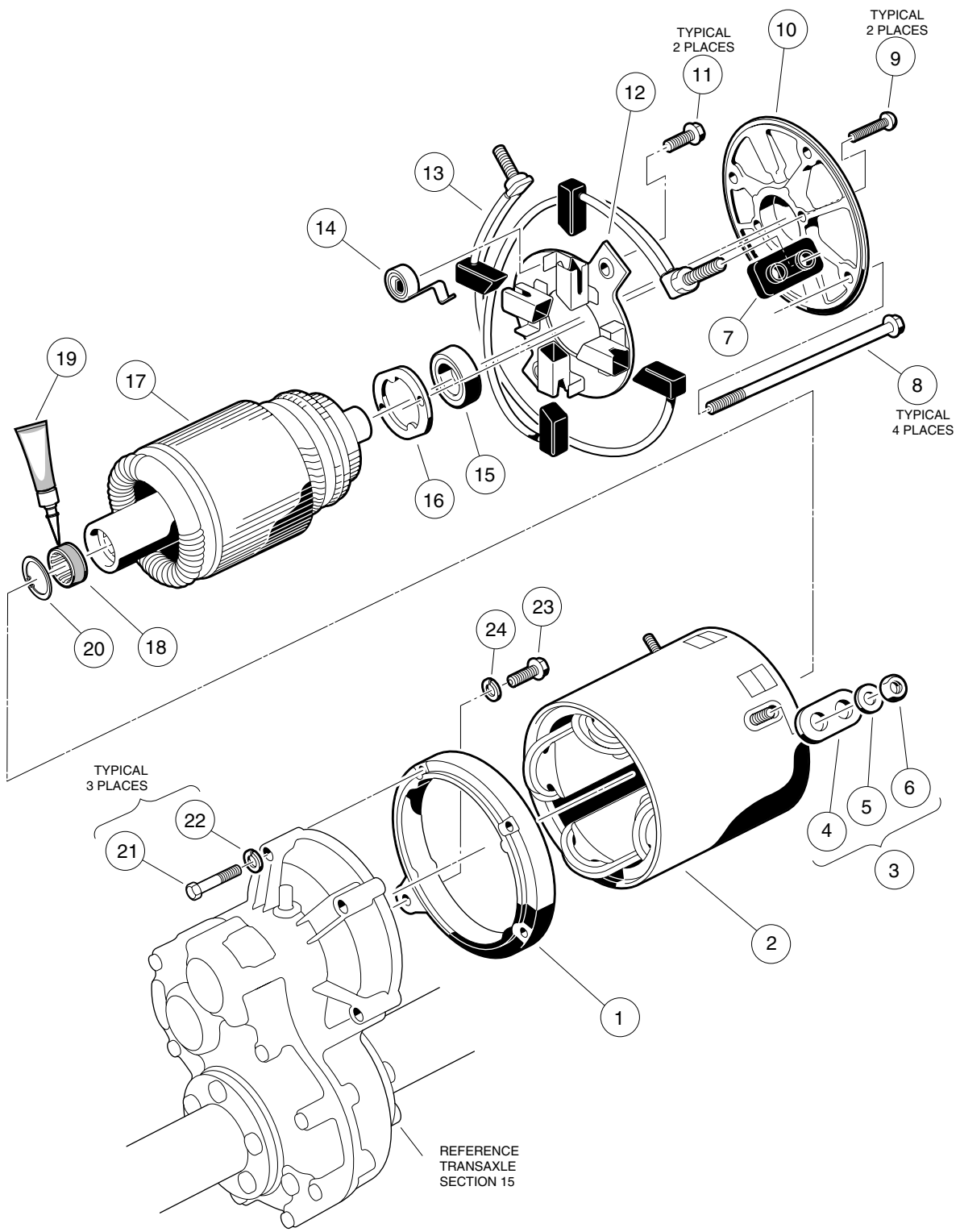


# MOTOR - V-GLIDE 36 VOLT VEHICLE

14

E

ITEM	PART NO.	DESCRIPTION	QTY
		1 2 3 4	
	1018134-01	ASSEMBLY, 36 VOLT MOTOR, 2.97 HP (INCLUDES ITEMS 1 - 20) .....	1
1	1017944	SHIELD, END .....	1
2	1017954	ASSEMBLY, STATOR SHELL AND WINDING .....	1
3	1017947	PACKAGE, HARDWARE (INCLUDES ITEMS 4 - 7) .....	1
4	N/A	BUSHING, INSULATOR .....	2
5	N/A	WASHER, FLAT, 5/16 .....	4
6	N/A	NUT, HEX, 5/16 - 18 .....	4
7	N/A	BUSHING, INSULATOR .....	2
8	1017952	SCREW, CLAMP .....	4
9	1017953	SCREW, BEARING RETAINER .....	2
10	1017951	SHIELD, END .....	1
11	1017949	SCREW, BRUSH HOLDER .....	2
12	1017948	RIGGING, BRUSH .....	1
13	1017946	PACKAGE, BRUSH (2 PIECES) .....	1
14	1011411	PACKAGE, BRUSH SPRING (4 PIECES) .....	1
15	1011290	BEARING, BALL .....	1
16	1017950	RETAINER, BEARING .....	1
17	N/A	ARMATURE .....	1
18	1017891-01	RING, GUIDE .....	1
19	1018132-02	ADHESIVE, GUIDE RING, 3 GRAM TUBE .....	A/R
20	1018228-01	RING, INTERNAL RETAINING .....	1
21	1014201	BOLT, HEX HEAD, 1/4 - 20 x 2 1/4 .....	3
22	0000451	WASHER, LOCK, 1/4 .....	3
23	1010934	BOLT, HEX HEAD, 5/16 - 18 x 1 .....	1
24	0007174	WASHER, LOCK, 5/16 .....	1

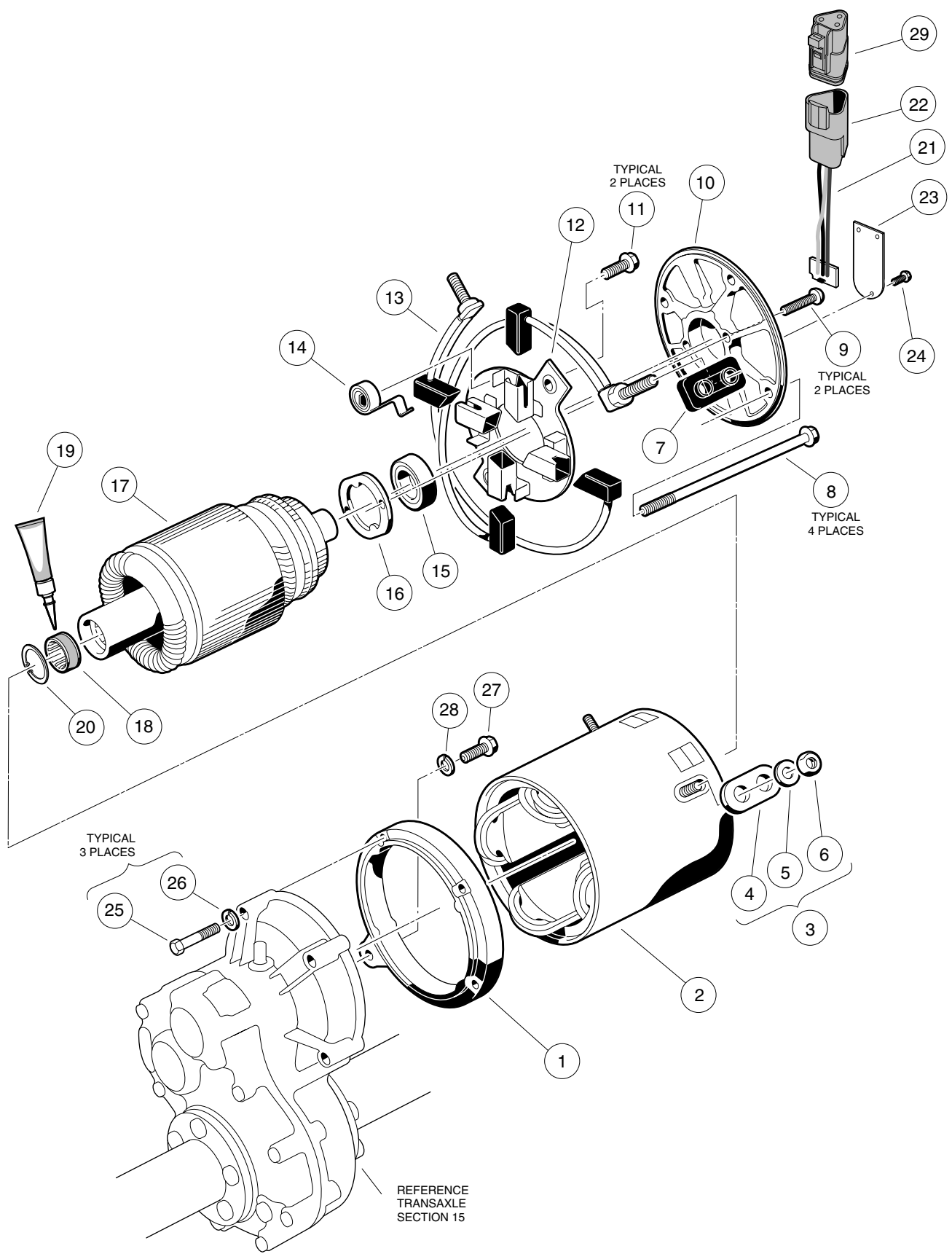


# MOTOR - POWERDRIVE SYSTEM 48 VEHICLE

14

E

ITEM	PART NO.	DESCRIPTION	QTY
		1 2 3 4	
	1018133-01	ASSEMBLY, 48 VOLT MOTOR, 3.10 HP (INCLUDES ITEMS 1 - 20) .....	1
1	1017944	SHIELD, END .....	1
2	1017958	ASSEMBLY, STATOR SHELL AND WINDING .....	1
3	1017947	PACKAGE, HARDWARE (INCLUDES ITEMS 4 - 7) .....	1
4	N/A	BUSHING, INSULATOR .....	2
5	N/A	WASHER, FLAT, 5/16 .....	4
6	N/A	NUT, HEX, 5/16 - 18 .....	4
7	N/A	BUSHING, INSULATOR .....	2
8	1017961	SCREW, CLAMP .....	4
9	1017953	SCREW, BEARING RETAINER .....	2
10	1017951	SHIELD, END .....	1
11	1017949	SCREW, BRUSH HOLDER .....	2
12	1017948	RIGGING, BRUSH .....	1
13	1017946	PACKAGE, BRUSH (2 PIECES) .....	1
14	1011411	PACKAGE, BRUSH SPRING (4 PIECES) .....	1
15	1011290	BEARING, BALL .....	1
16	1017950	RETAINER, BEARING .....	1
17	N/A	ARMATURE .....	1
18	1017891-01	RING, GUIDE .....	1
19	1018132-02	ADHESIVE, GUIDE RING, 3 GRAM TUBE .....	A/R
20	1018228-01	RING, INTERNAL RETAINING .....	1
21	1014201	BOLT, HEX HEAD, 1/4 - 20 x 2 1/4 .....	3
22	0000451	WASHER, LOCK, 1/4 .....	3
23	1010934	BOLT, HEX HEAD, 5/16 - 18 x 1 .....	1
24	0007174	WASHER, LOCK, 5/16 .....	1



# MOTOR - POWERDRIVE PLUS VEHICLE

ITEM	PART NO.	DESCRIPTION	QTY
		1 2 3 4	
	1018546-01	ASSEMBLY, 48 VOLT MOTOR, 3.10 HP (INCLUDES ITEMS 1 - 24) .....	1
1	1017944	SHIELD, END .....	1
2	1018792-01	ASSEMBLY, STATOR SHELL AND WINDING .....	1
3	1017947	PACKAGE, HARDWARE (INCLUDES ITEMS 4 - 7) .....	1
4	N/A	BUSHING, INSULATOR .....	2
5	N/A	WASHER, FLAT, 5/16 .....	4
6	N/A	NUT, HEX, 5/16 - 18 .....	4
7	N/A	BUSHING, INSULATOR .....	2
8	1017961	SCREW, CLAMP .....	4
9	1017953	SCREW, BEARING RETAINER .....	2
10	1018793-01	SHIELD, END (WITH SPEED SENSOR) .....	1
11	1017949	SCREW, BRUSH HOLDER .....	2
12	1017948	RIGGING, BRUSH .....	1
13	1017946	PACKAGE, BRUSH (2 PIECES) .....	1
14	1011411	PACKAGE, BRUSH SPRING (4 PIECES) .....	1
15	1011290	BEARING, BALL .....	1
16	1017950	RETAINER, BEARING .....	1
17	N/A	ARMATURE .....	1
18	1017891-01	RING, GUIDE .....	1
19	1018132-02	ADHESIVE, GUIDE RING, 3 GRAM TUBE .....	A/R
20	1018228-01	RING, INTERNAL RETAINING .....	1
21	1019258-01	SENSOR, HALL EFFECT (INCLUDES ITEM 22) .....	1
22	1018951-01	HOUSING, FEMALE 3-WIRE, GRAY .....	1
23	1019303-01	PLATE, RETAINING .....	1
24	1019304-01	SCREW, RETAINING .....	3
25	1014201	BOLT, HEX HEAD, 1/4 - 20 x 2 1/4 .....	3
26	0000451	WASHER, LOCK, 1/4 .....	3
27	1010934	BOLT, HEX HEAD, 5/16 - 18 x 1 .....	1
28	0007174	WASHER, LOCK, 5/16 .....	1
29	1019201-01	HOUSING, MALE 3-WIRE, GRAY .....	1

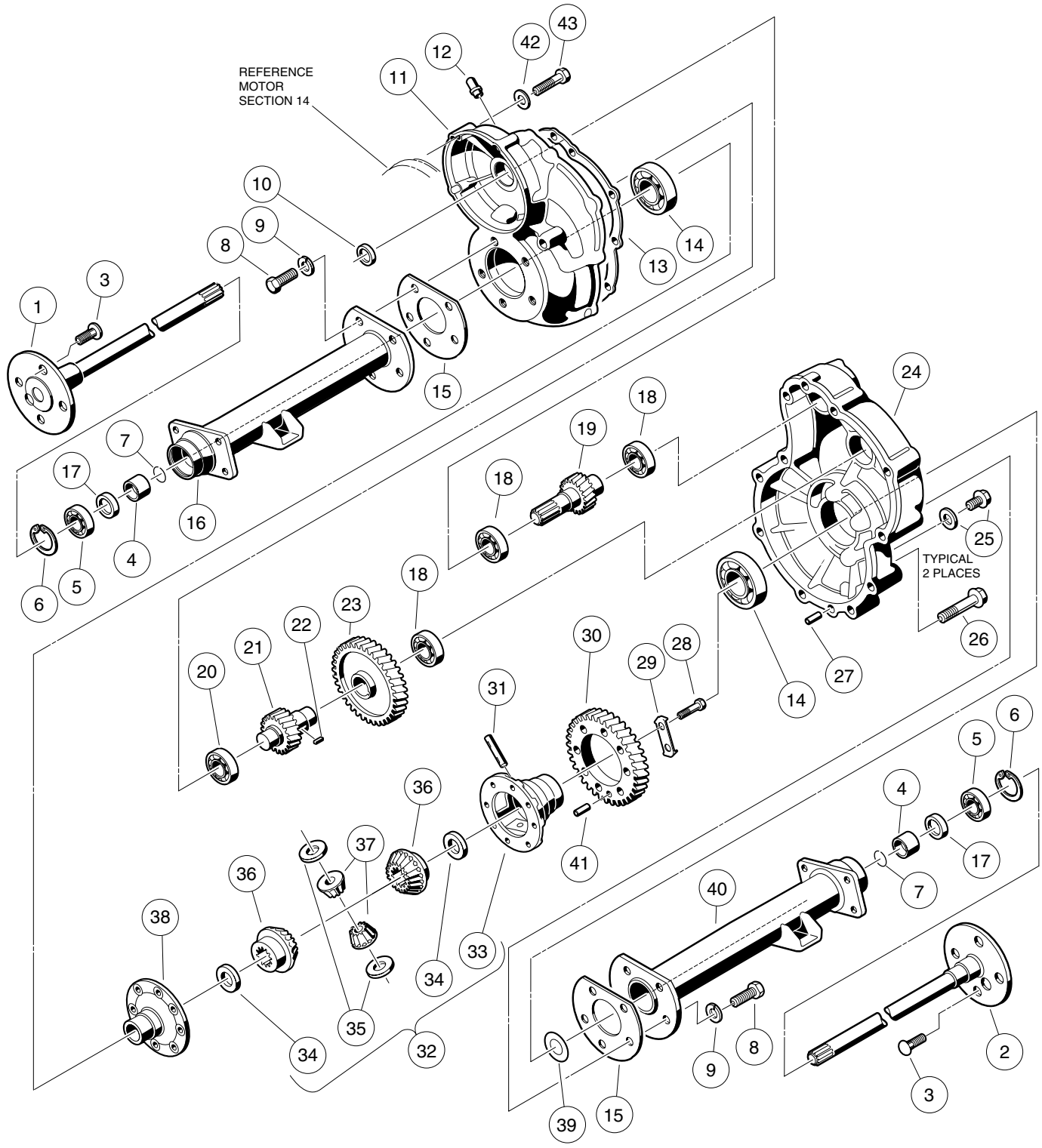


# TRANSAXLE ELECTRIC VEHICLE

---

15

E





# TRANSAXLE - ELECTRIC VEHICLE

ITEM	PART NO.	DESCRIPTION	QTY
		1 2 3 4	
	1017683-02	TRANSAXLE (INCLUDES ITEMS 1 - 41) .....	1
1	1013785	AXLE ASSEMBLY, RIGHT (INCLUDES ITEMS 3 - 7) .....	1
2	1013786	AXLE ASSEMBLY, LEFT (INCLUDES ITEMS 3 - 7) .....	1
3	1013787	STUD, LUG .....	8
4	1014207	BUSHING, 25 MM I. D. ....	1
5	1011291	BEARING, OUTER AXLE TUBE .....	2
6	1013792	CIRCLIP, TYPE C .....	2
7	1016672	RING, RETAINING .....	2
8	1013790	BOLT, M10 x 1.5 x 30MM .....	10
9	1013791	WASHER, LOCK, 13/32 .....	10
10	1013775	SEAL, INPUT SHAFT OIL .....	1
11	1013756	GEAR CASE, RIGHT .....	1
12	1012711	BREATHER .....	1
13	1013758	GASKET, CASE .....	1
14	0007330	BEARING, INNER AXLE TUBE .....	2
15	1013789	GASKET, AXLE TUBE .....	2
16	1017704	ASSEMBLY, AXLE TUBE, RIGHT SIDE .....	1
17	1013794	SEAL, AXLE SHAFT OIL .....	2
18	0007335	BEARING, INPUT GEAR .....	3
19	1013764	SHAFT, INPUT .....	1
20	0007336	BEARING, INTERMEDIATE GEAR .....	1
21	1013766	GEAR, INTERMEDIATE, SMALL .....	1
22	1013780	KEY, SUNK .....	1
23	1013765	GEAR, INTERMEDIATE, LARGE .....	1
24	1013757	GEAR CASE, LEFT .....	1
25	1013759	PLUG, FILL, WITH GASKET .....	2
26	1013763	BOLT, M6 x 1 x 50MM .....	10
27	1012710	PIN, DOWEL .....	2
28	1013779	BOLT, M8 x 1.25 x 37MM .....	8
29	1013782	PLATE, LOCK .....	4
30	1013767	GEAR, OUTPUT .....	1
31	1013772	PIN, DIFFERENTIAL .....	1
32	1019105-01	KIT, DIFFERENTIAL GEAR CASE (INCLUDES ITEMS 33 - 35) .....	1
33	1013768	GEAR CASE, DIFFERENTIAL (LEFT) .....	1
34	1013773	PLATE, THRUST (DIFFERENTIAL GEAR) .....	2
35	1013774	PLATE, THRUST (IDLER GEAR) .....	2
36	1013771	GEAR, DIFFERENTIAL .....	2
37	1013770	GEAR, DIFFERENTIAL IDLER .....	2
38	1013769	GEAR CASE, DIFFERENTIAL (RIGHT) .....	1
39	1013781	SHIM .....	1
40	1017703	ASSEMBLY, AXLE TUBE, LEFT SIDE .....	1
41	1014193	PIN, DOWEL .....	1
42	1014201	BOLT, HEX HEAD, 1/4 - 20 x 2 1/4 .....	3
43	0000451	WASHER, LOCK, 1/4 .....	3





**CLUB CAR**  
**INGERSOLL-RAND**

**Golf Cars**

---

Club Car Inc.  
P.O. Box 204658  
Augusta, GA 30917-4658