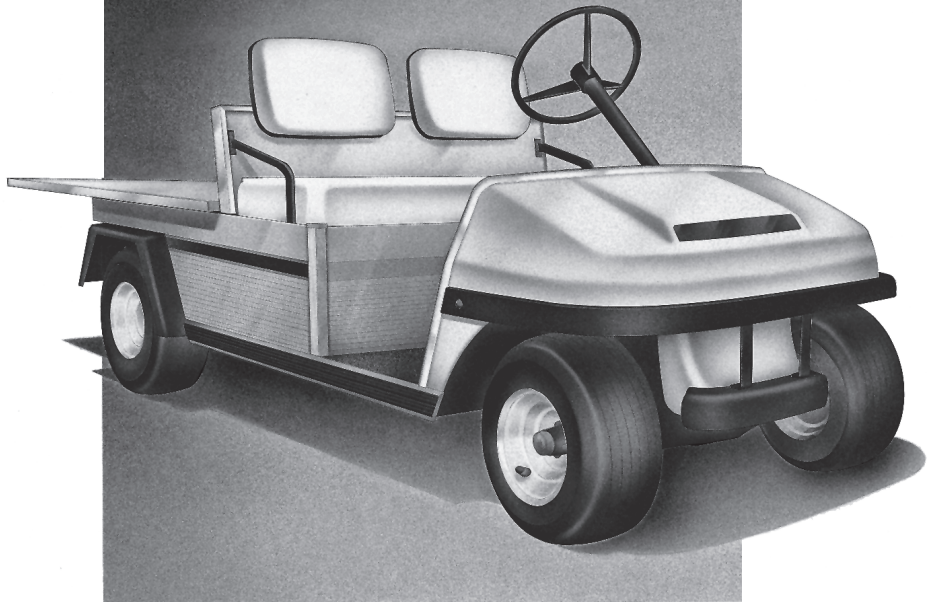




1998
ILLUSTRATED
PARTS LIST



**CARRYALL I, CARRYALL II,
CARRYALL TURF II, CARRYALL II PLUS,
AND CARRYALL VI VEHICLES**

MANUAL NUMBER 101968302
EDITION CODE 1197C0508B

USING THE ILLUSTRATED PARTS LIST

WARNING

- THIS MANUAL IS TO BE USED ONLY FOR IDENTIFICATION AND ORDERING OF SERVICE PARTS. BE SURE TO READ AND USE THE MAINTENANCE AND SERVICE MANUAL BEFORE ATTEMPTING ANY VEHICLE REPAIRS.

This manual covers all 1998 Carryall® vehicles.

The manual is divided into 16 sections. Sections 1 through 6 pertain to both gasoline and electric vehicles, sections 7 through 12 pertain to gasoline vehicles only, and sections 13 through 16 pertain to electric vehicles only. Note that there are two or three flags on the outside edge of each page. The first flag contains the section number of which that page is a part. The other flag (or flags) contains either the letter G or E, signifying that the page pertains to either the gasoline or electric vehicle only, or to both the gasoline and electric vehicles.

Use the Table of Contents to find the sections and pages that contain the parts and assemblies you seek. The Table of Contents lists section titles and numbers, and under them, the individual page titles and numbers to be found in that section. Unless a page title specifies a particular vehicle(s), the page applies to all Carryall vehicles.

Typically, there is a two-page spread for each individual page title in the Table of Contents (however, some titles require several spreads). On the left-hand page is an illustration showing the parts in their relative positions; the parts are each tagged with an item number in a balloon. The right-hand page is the parts list page, and gives the page title at the top, then the item numbers (corresponding to the numbers on the illustration), part descriptions, and quantity of parts used. Some item numbers have more than one part number because several models and/or configurations of a component are represented together on one spread.

Note that a part description may be indented. This indentation corresponds to a parts assembly level indicated by the numbers 1, 2, 3, and 4 at the top left corner of the parts description area of the parts list page. A part that is indented to *level 2* is a component of the *level 1* part (assembly) that it is listed under. A *level 3* part is a component of the *level 2* part that it is listed under, and a *level 4* part is a component of the *level 3* part preceding it. In each case, the part quantity given for a level 2, 3, or 4 part is the quantity used per next higher level assembly of which it is a component. A part that is not indented is a *level 1* part. This means that the quantity given is the quantity used per the portion of the vehicle illustrated on that particular spread.



P. O. Box 204658
Augusta, Georgia 30917-4658 USA
Telephone 706-863-3000
Service Parts Fax 706-855-7413

© 1997, CLUB CAR, INC.

All rights reserved.

This manual effective August 18, 1997

CONTENTS

MAINTENANCE AND SERVICE TOOLS

SECTION

1

MAINTENANCE AND SERVICE TOOLS 1-3 - 1-5

BODY AND TRIM

SECTION

2

FRONT BODY 2-3
SEATS AND SUPPORT STRUCTURE—CARRYALL I, II, TURF II AND II PLUS 2-5
SEATS AND SUPPORT STRUCTURE—CARRYALL VI 2-7
TILT BED, HINGE, AND LATCH—CARRYALL I 2-9
HINGE PLATE—CARRYALL I, II, TURF II AND II PLUS; PROP ROD—CARRYALL II, TURF II AND II PLUS 2-11
TILT BED AND LATCH—CARRYALL II, TURF II AND II PLUS 2-13
CARGO BOX—CARRYALL TURF II..... 2-15
ACCESS DOOR AND SIDE DOORS—CARRYALL VI 2-17
FLAT BED ASSEMBLY—CARRYALL VI 2-19
FLAT BED TRIM—CARRYALL VI 2-21
REAR COVER—CARRYALL I, II, TURF II AND II PLUS 2-23
REAR COVER—CARRYALL VI 2-25

WHEELS AND TIRES

SECTION

3

WHEELS AND TIRES 3-3

SAFETY DECALS

SECTION

4

SAFETY DECALS—CARRYALL I, II, TURF II AND II PLUS 4-3 - 4-5
SAFETY DECALS—CARRYALL VI 4-7 - 4-9

BRAKES, PEDAL, AND CABLE ASSEMBLIES

SECTION

5

REAR BRAKE ASSEMBLY, SELF-ADJUSTING—CARRYALL I 5-3
REAR BRAKE ASSEMBLY, MANUALLY ADJUSTED—CARRYALL II, TURF II, II PLUS, AND VI 5-5
BRAKE PEDAL AND CABLE ASSEMBLY—VEHICLE WITH 2-WHEEL BRAKING 5-7
BRAKE PEDAL AND CABLE ASSEMBLY—VEHICLE WITH 4-WHEEL BRAKING 5-9
FRONT BRAKE ASSEMBLY—VEHICLE WITH 4-WHEEL BRAKING 5-11
ACCELERATOR PEDAL ASSEMBLY—ELECTRIC CARRYALL I AND ALL GASOLINE VEHICLES 5-13
ACCELERATOR PEDAL ASSEMBLY—ELECTRIC CARRYALL II AND VI 5-15

STEERING, FRONT AND REAR SUSPENSION

SECTION

6

STEERING COLUMN 6-3
STEERING GEAR ASSEMBLY 6-5
FRONT SUSPENSION, UPPER—VEHICLE WITH 2-WHEEL BRAKING 6-7
FRONT SUSPENSION, LOWER—VEHICLE WITH 2-WHEEL BRAKING 6-9
FRONT SUSPENSION, UPPER—VEHICLE WITH 4-WHEEL BRAKING 6-11
FRONT SUSPENSION, LOWER—VEHICLE WITH 4-WHEEL BRAKING 6-13
REAR SUSPENSION 6-15
STABILIZER BAR—ELECTRIC CARRYALL II, GASOLINE CARRYALL II, TURF II, II PLUS AND VI 6-17

CONTENTS

ELECTRICAL SYSTEM—GASOLINE VEHICLE

SECTION

7

FORWARD AND REVERSE SHIFTER ASSEMBLY—GASOLINE VEHICLE	7-3
WIRING—GASOLINE CARRYALL I	7-5
WIRING—GASOLINE CARRYALL II	7-7
ELECTRICAL COMPONENT BOX, GASOLINE VEHICLE—CARRYALL I, II, AND TURF II	7-9
ELECTRICAL COMPONENTS, FRONT BODY—GASOLINE CARRYALL I, II, TURF II AND II PLUS	7-11
HEADLIGHTS AND HOUR METER—GASOLINE CARRYALL TURF II	7-13
WIRING—GASOLINE CARRYALL TURF II	7-15
WIRING—GASOLINE CARRYALL II PLUS	7-17
WIRING—GASOLINE CARRYALL VI	7-19
ELECTRICAL COMPONENT BOX, GASOLINE VEHICLE—CARRYALL II PLUS AND VI	7-21
ELECTRICAL COMPONENTS, FRONT BODY—GASOLINE CARRYALL VI	7-23
CONTROLS AND GAUGES—GASOLINE CARRYALL VI	7-25
ELECTRICAL COMPONENTS, REAR BODY—GASOLINE CARRYALL VI	7-27
STARTER/GENERATOR ASSEMBLY	7-29
STARTER/GENERATOR MOUNTING	7-31
BATTERY—GASOLINE VEHICLE	7-33

ENGINE

SECTION

8

FE 290 ENGINE—CARRYALL I AND II	8-3 - 8-13
FE 350 ENGINE —CARRYALL TURF II, II PLUS AND VI	8-14 - 8-25
ENGINE MOUNTING	8-27

FUEL, INTAKE, AND GOVERNOR SYSTEMS

SECTION

9

FUEL SYSTEM	9-3
CARBURETOR ASSEMBLY, FE 290 ENGINE—CARRYALL I AND II	9-5
CARBURETOR ASSEMBLY, FE 350 ENGINE—CARRYALL TURF II, II PLUS AND VI	9-7
CARBURETOR INSTALLATION	9-9
GOVERNOR AND ACCELERATOR CABLES	9-11
INTAKE DUCT, CHOKE, AND AIR BOX ASSEMBLY—CARRYALL I	9-13
INTAKE DUCT, CHOKE, AND AIR BOX ASSEMBLY—CARRYALL II, TURF II AND II PLUS	9-15
INTAKE DUCT, CHOKE, AND AIR BOX ASSEMBLY—CARRYALL VI	9-17

EXHAUST SYSTEM

SECTION

10

EXHAUST SYSTEM, FE 290—CARRYALL I AND II	10-3
EXHAUST SYSTEM, FE 350—CARRYALL TURF II, II PLUS AND VI	10-5

TORQUE CONVERTER

SECTION

11

DRIVE CLUTCH	11-3
DRIVEN CLUTCH	11-5

CONTENTS

UNITIZED TRANSAXLE—GASOLINE VEHICLE

SECTION

12

UNITIZED TRANSAXLE—GASOLINE VEHICLE 12-3 - 12-7

ELECTRICAL SYSTEM—ELECTRIC VEHICLE

SECTION

13

FORWARD AND REVERSE SWITCH—POWERDRIVE ELECTRIC VEHICLE..... 13-3
MULTI-STEP POTENTIOMETER—CARRYALL I POWERDRIVE ELECTRIC VEHICLE 13-5
WIRING—CARRYALL I POWERDRIVE ELECTRIC VEHICLE 13-7
ELECTRICAL COMPONENTS, FRONT BODY—CARRYALL I AND II POWERDRIVE VEHICLES 13-9
BATTERIES, CHARGER RECEPTACLE—CARRYALL I POWERDRIVE ELECTRIC VEHICLE 13-11
COMPUTER, CONTROLLER, AND SOLENOID—CARRYALL I POWERDRIVE VEHICLE 13-13
CONTINUOUSLY VARIABLE POTENTIOMETER—CARRYALL II AND VI POWERDRIVE VEHICLES 13-15
WIRING—CARRYALL II POWERDRIVE ELECTRIC VEHICLE 13-17
COMPUTER, CONTROLLER, AND SOLENOID—CARRYALL II POWERDRIVE VEHICLE 13-19
BATTERIES, CHARGER RECEPTACLE—CARRYALL II POWERDRIVE ELECTRIC VEHICLE 13-21
WIRING—CARRYALL VI POWERDRIVE ELECTRIC VEHICLE 13-23
ELECTRICAL COMPONENTS, FRONT BODY—CARRYALL VI POWERDRIVE ELECTRIC VEHICLE 13-25
CONTROLS AND GAUGES—CARRYALL VI POWERDRIVE ELECTRIC VEHICLE 13-27
ELECTRICAL COMPONENTS, CENTER BODY—CARRYALL VI POWERDRIVE VEHICLE 13-29 - 13-31
ELECTRICAL COMPONENTS, REAR BODY—CARRYALL VI POWERDRIVE ELECTRIC VEHICLE 13-33

BATTERY CHARGER

SECTION

14

POWERDRIVE BATTERY CHARGER, DOMESTIC—CARRYALL I AND II 14-3
POWERDRIVE BATTERY CHARGER, EXPORT—CARRYALL I AND II 14-5
POWERDRIVE BATTERY CHARGER, EUROPEAN—CARRYALL I AND II 14-7
ON-BOARD POWERDRIVE BATTERY CHARGER, DOMESTIC—CARRYALL VI 14-9
ON-BOARD POWERDRIVE BATTERY CHARGER, EXPORT—CARRYALL VI 14-11

ELECTRIC MOTOR

SECTION

15

MOTOR—POWERDRIVE ELECTRIC VEHICLE 15-3

TRANSAXLE—ELECTRIC VEHICLE

SECTION

16

TRANSAXLE, TYPE G—POWERDRIVE ELECTRIC VEHICLE 16-3
TRANSAXLE, TYPE K—POWERDRIVE ELECTRIC VEHICLE 16-5

1
G
E

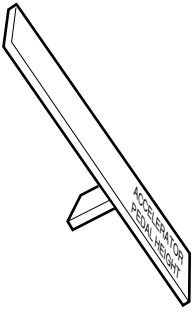
MAINTENANCE AND SERVICE TOOLS

1

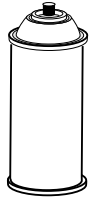
G

E

**1
G
E**



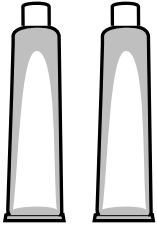
1



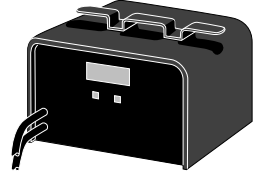
2



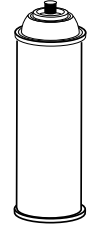
3



4



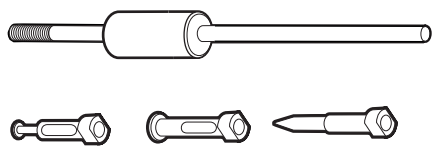
5



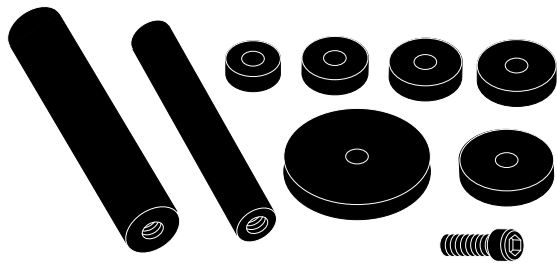
6



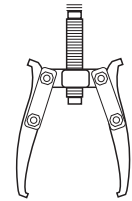
7



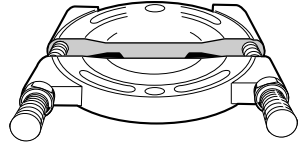
8



9



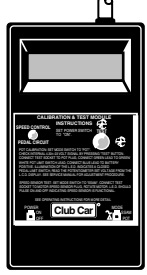
10



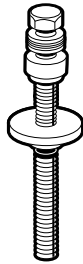
11



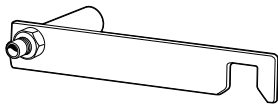
12



13



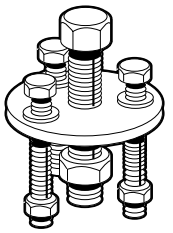
14



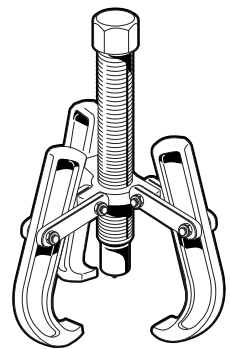
15



16



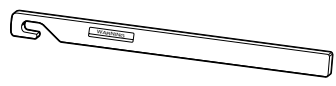
17



18



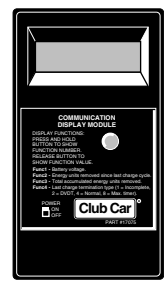
19



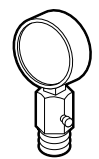
20



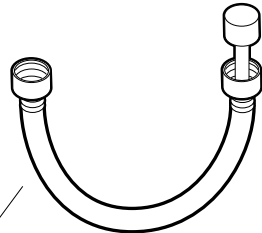
21



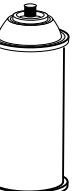
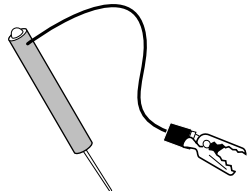
22



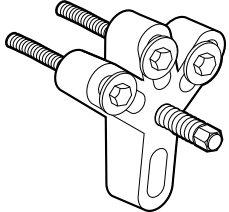
23



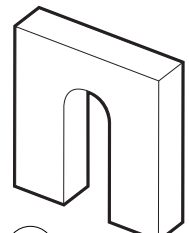
24



25



26



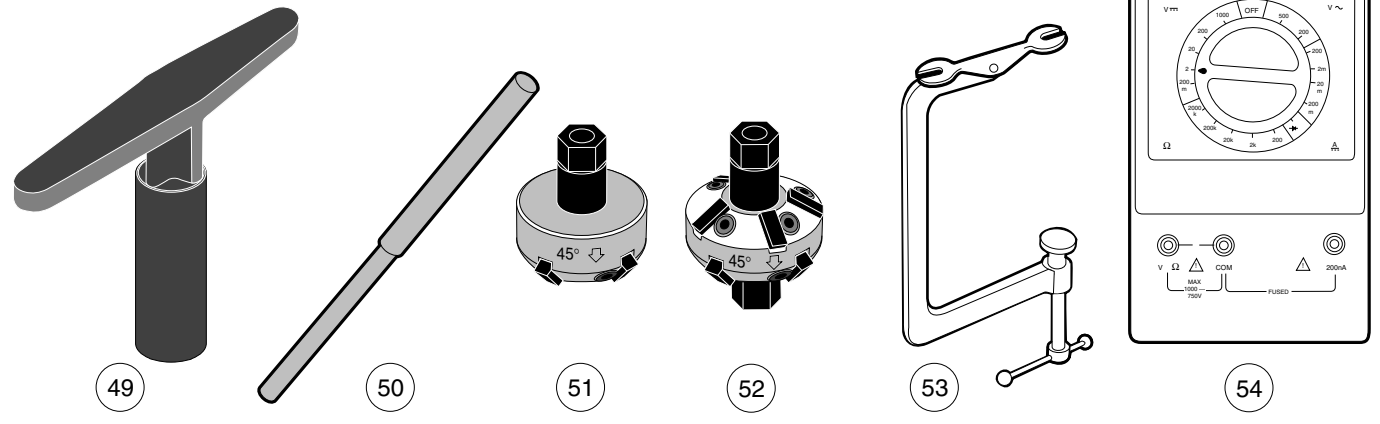
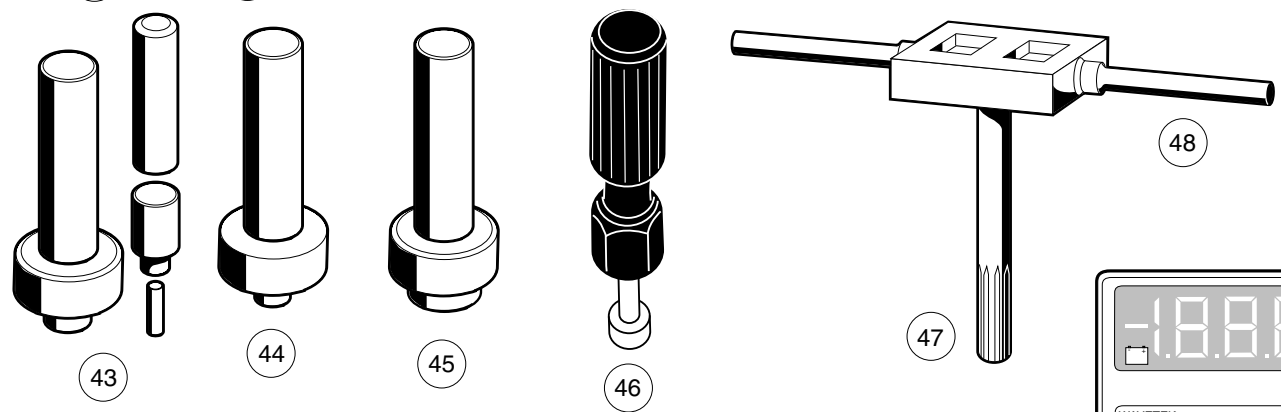
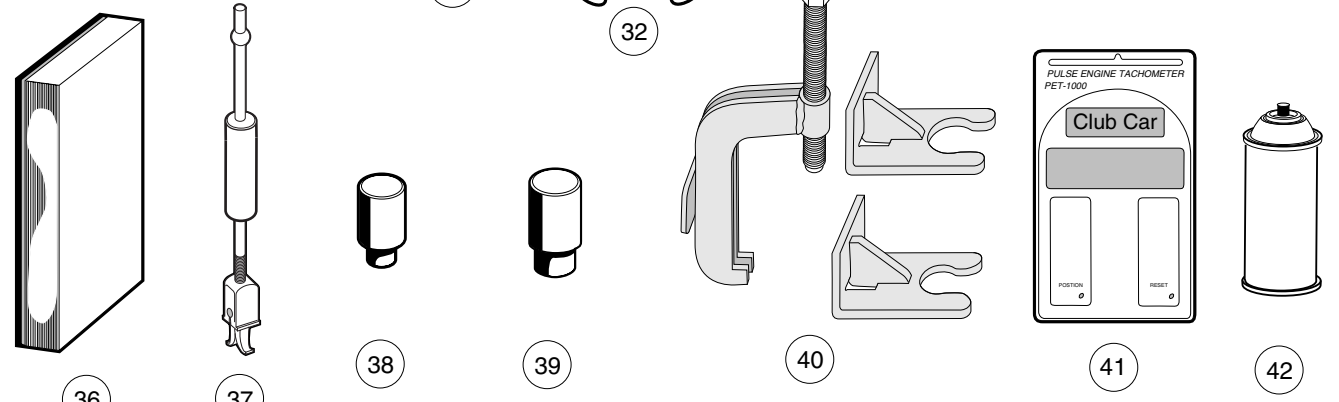
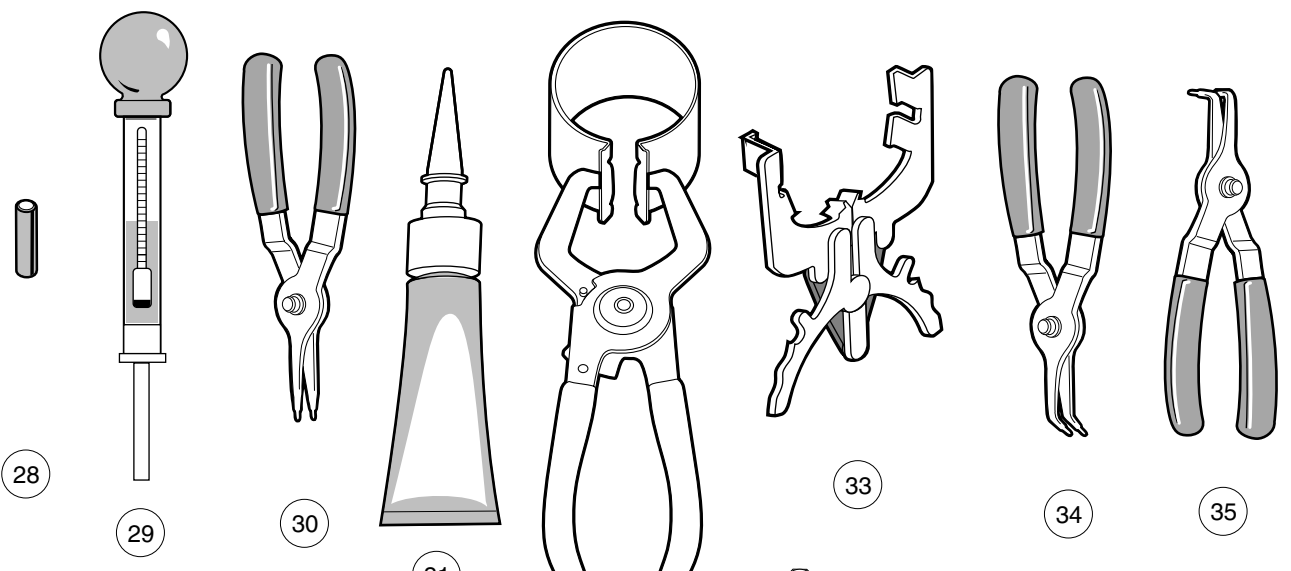
27

MAINTENANCE AND SERVICE TOOLS

ITEM	PART NO.	DESCRIPTION	QTY GAS	QTY ELEC
		1 2 3 4		
1	1018710-01	ACCELERATOR PEDAL ADJUSTMENT TOOL	1	1
2	1016985	ADHESION PROMOTER - ARMORFLEX®	1	1
3	1018132-02	ADHESIVE, GUIDE RING, 3 GRAM TUBE		1
4	1017295	ARMORFLEX REPAIR KIT	1	1
5	1018319-01	BATTERY DISCHARGE MACHINE, 36/48 VOLT		1
6	1014305	BATTERY TERMINAL PROTECTOR SPRAY	1	1
7	1011767	BATTERY THERMOMETER		1
8	1016417	BEARING AND OIL SEAL REMOVER ASSEMBLY	1	1
9	1016416	BEARING DRIVER SET	1	1
10	1012811	BEARING PULLER	1	1
11	1012812	BEARING PULLER WEDGE ATTACHMENT	1	1
12	1013582	BRAKE ADJUSTMENT TOOL (USED ONLY ON VEHICLES WITH MANUALLY ADJUSTED BRAKES)	1	1
13	1018871-01	CALIBRATION TEST MODULE		1
14	1018084-01	CAM INSTALLATION TOOL	1	
	1014510	CLUTCH TOOL KIT (INCLUDES ITEMS 15 - 21)	1	
15	1014498	CLUTCH ALIGNMENT TOOL	1	
16	1014496	DRIVE CLUTCH PULLER	1	
17	1014497	DRIVE CLUTCH HUB PULLER	1	
18	1014508	DRIVEN CLUTCH CAM PULLER	1	
19	1014507	DRIVEN CLUTCH PULLER PLUG	1	
20	1015524	DRIVE CLUTCH HOLDER TOOL ASSEMBLY	1	
21	1018091-01	PRESS WELDMENT	1	
22	1018318-01	COMMUNICATION DISPLAY MODULE		1
23	1016410-02	COMPRESSION GAUGE AND ADAPTER	1	
24	1011273	CONTINUITY TESTER	1	1
25	1012151	DRY MOLY LUBRICANT	1	1
26	1016627	FLY WHEEL PULLER KIT	1	
27	1016418	GEAR YOKE	1	1
		PLEASE REFER TO THE MAINTENANCE AND SERVICE MANUAL FOR PROPER TOOL APPLICATION.		

1
G
E

**1
G
E**



MAINTENANCE AND SERVICE TOOLS, CONTINUED

ITEM	PART NO.	DESCRIPTION	QTY GAS	QTY ELEC
		1 2 3 4		
28	1019331-01	GOVERNOR SHAFT INSTALLATION TOOL	1	
29	1011478	HYDROMETER	1	1
30	1013593	INTERNAL RETAINING RING PLIERS	1	1
31	1019287-01	LIQUID GASKET (TRANSAXLE CASE)	1	
32	1016414	PISTON RING COMPRESSOR KIT	1	
33	1016415	PISTON RING PLIERS	1	
34	1012549	RETAINING RING PLIERS - 45° EXTERNAL	1	1
35	1012560	RETAINING RING PLIERS - 90° INTERNAL	1	1
36	1018231-01	SAFETY FIRST CARD (50 PER PACK)	1	1
37	1012809	SEAL PULLER	1	1
38	1014264	STEERING COLUMN BEARING PRESS TOOL	1	1
39	1014259	STEERING COLUMN RETAINING RING TOOL	1	1
40	1020612	STEERING WHEEL PULLER TOOL	1	1
41	1016112	TACHOMETER	1	
42	1017097-01	TOUCH-UP PAINT, LACQUER - BEIGE	1	1
42	1017097-02	TOUCH-UP PAINT, LACQUER - WHITE	1	1
42	1017097-04	TOUCH-UP PAINT, LACQUER - GREY	1	1
42	1017097-06	TOUCH-UP PAINT, LACQUER - RED	1	1
42	1017097-08	TOUCH-UP PAINT, LACQUER - DARK BLUE	1	1
42	1017097-09	TOUCH-UP PAINT, LACQUER - DARK GREEN	1	1
43	1014115	TRANSMISSION TOOL KIT	1	
44	1014161	TRANSAXLE PINION SEAL TOOL	1	1
45	1014162	TRANSAXLE AXLE SEAL TOOL	1	1
46	1016413	VALVE CLEARANCE ADJUSTER SCREW HOLDER	1	
47	1016412-01	VALVE GUIDE REAMER	1	
48	1016412-02	ARBOR	1	
49	1016551	VALVE SEAT CUTTER T-WRENCH	1	
50	1016552	VALVE SEAT CUTTER GUIDE	1	
51	1016553	VALVE SEAT CUTTER, 45° (32mm DIAMETER)	1	
52	1016554	VALVE SEAT CUTTER, 32° AND 45° (35mm DIAMETER)	1	
53	1016411-01	VALVE SPRING COMPRESSOR	1	
54	1011480	VOLT OHM METER	1	1
55	1016110-02	TUNE-UP KIT (FE 290 ENGINE) (INCLUDES AIR FILTER, SPARK PLUG, OIL FILTER, FUEL FILTERS) (NOT SHOWN)	1	
56	1016110-03	TUNE-UP KIT (FE 350 ENGINE) (INCLUDES AIR FILTER, SPARK PLUG, OIL FILTER, FUEL FILTERS) (NOT SHOWN)	1	
PLEASE REFER TO THE MAINTENANCE AND SERVICE MANUAL FOR PROPER TOOL APPLICATION.				



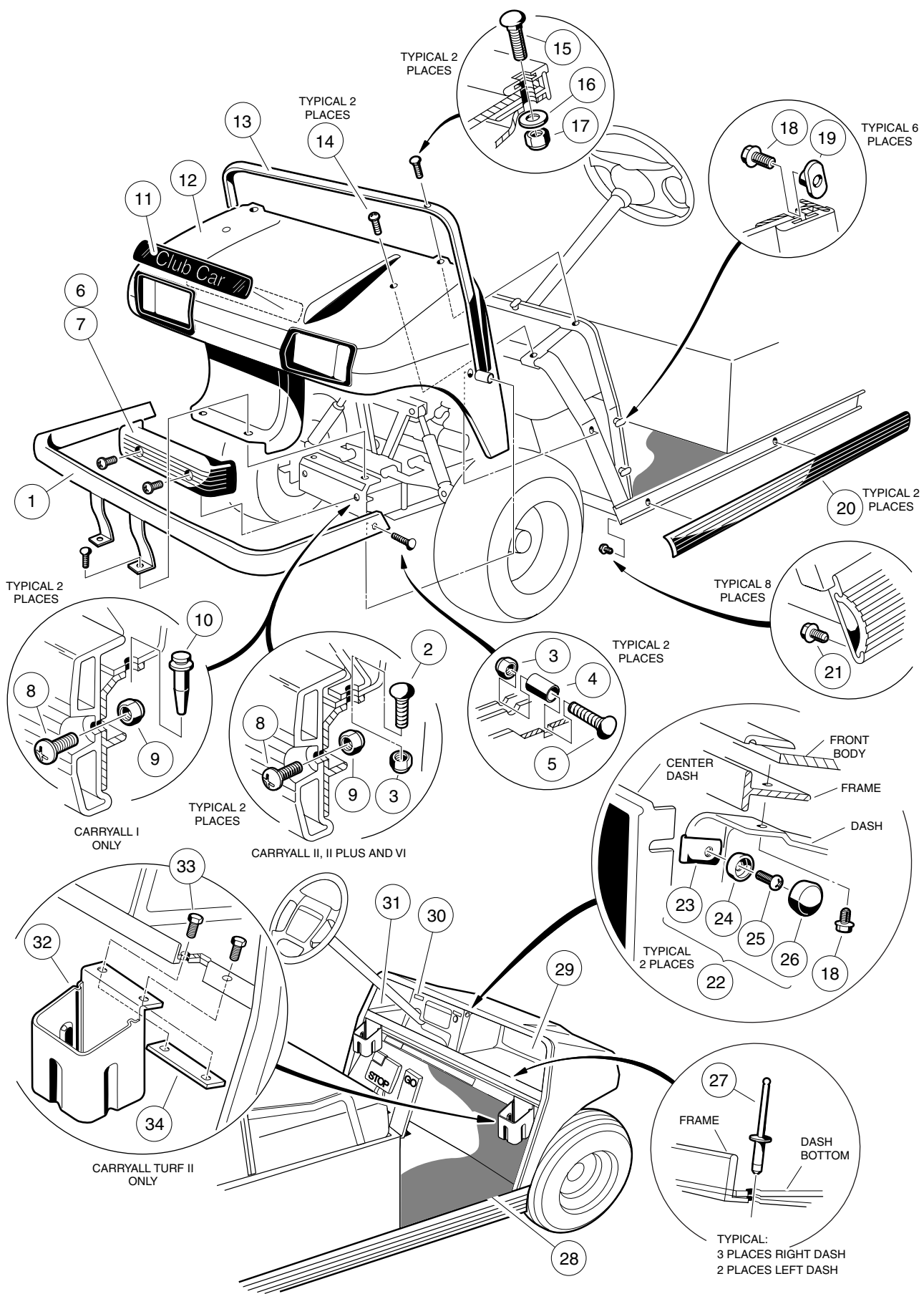
1
G
E

BODY AND TRIM

2

G

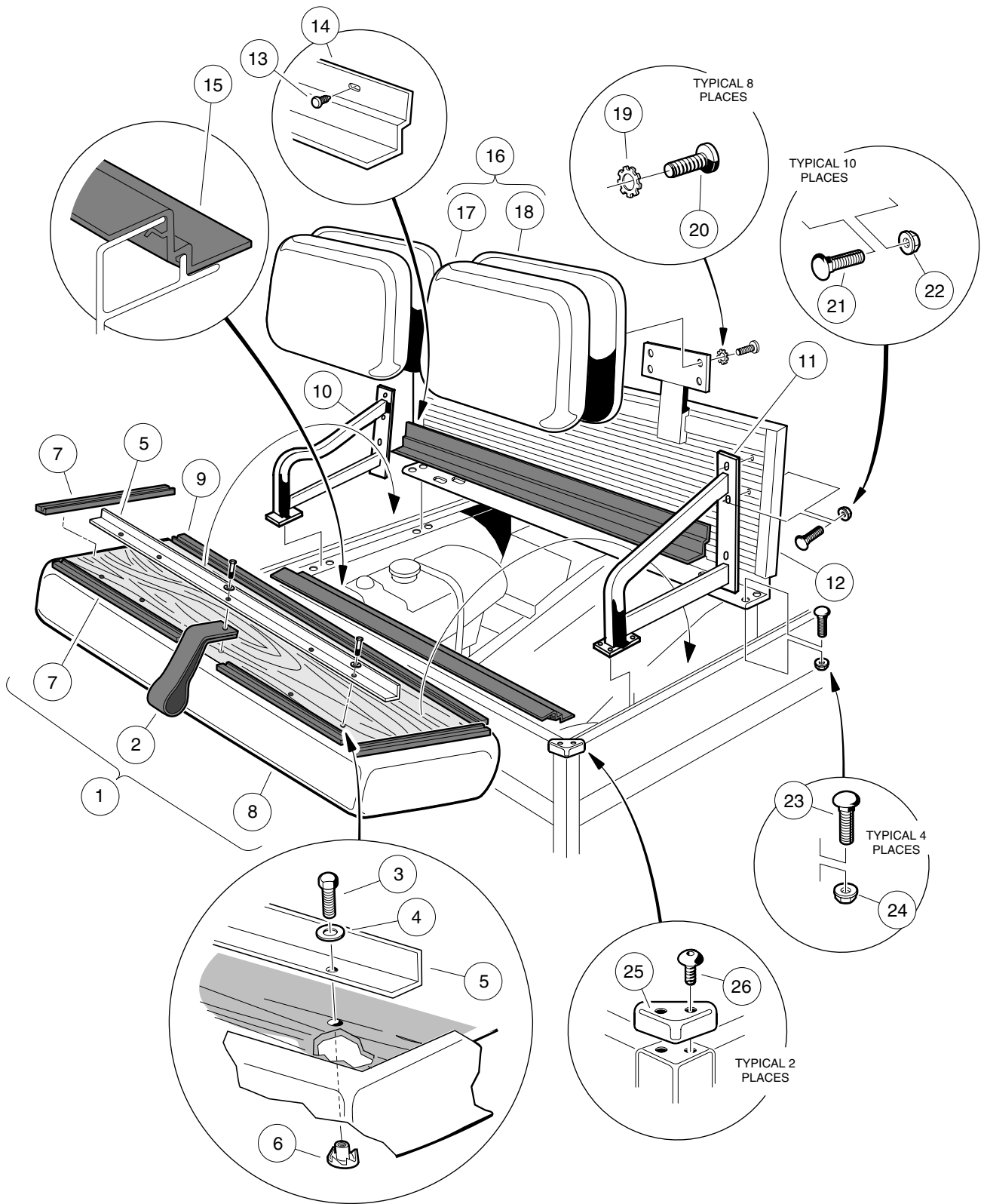
E



FRONT BODY

2
G
E

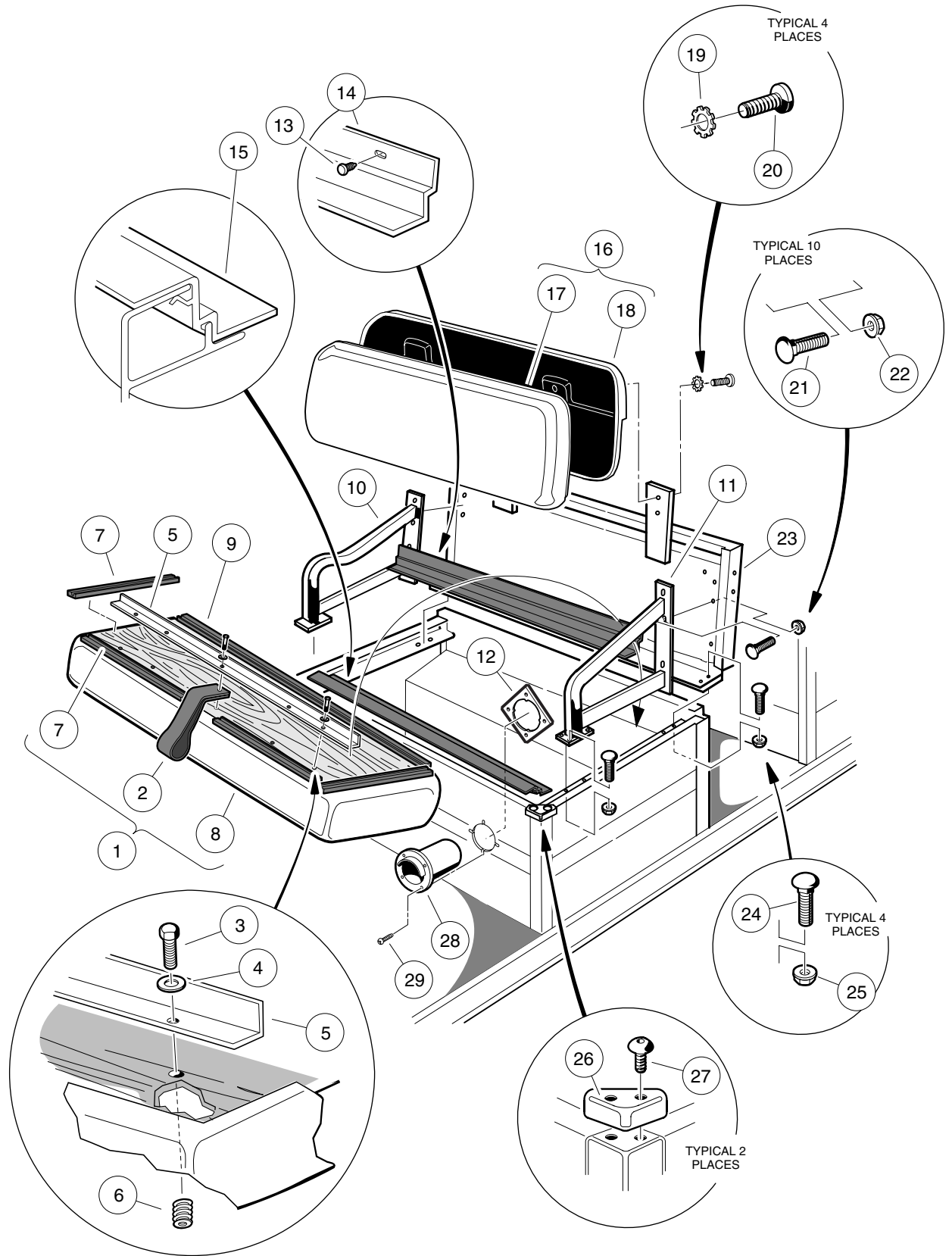
ITEM	PART NO.	DESCRIPTION	QTY GAS	QTY ELEC
		1 2 3 4		
1	1017348-02	KIT, HEAVY DUTY BUMPER (INCLUDES ITEMS 2 - 5) (CARRYALL II, TURF II, II PLUS AND VI)	1	1
2	1010435	BOLT, CARRIAGE, 5/16 - 18 x 1	2	2
3	0007473	NUT, NYLON LOCK, 5/16 - 18	4	4
4	1010546	SPACER	2	2
5	1015405	BOLT, CARRIAGE, 5/16 - 18 x 2	2	2
6	1017080	KIT, FRONT BUMPER (INCLUDES ITEMS 7 - 10)	1	1
7	1016868	BUMPER, FRONT	1	1
8	0007251	SCREW, PHILLIPS TRUSS HEAD, 5/16 - 18 x 1	2	2
9	0007473	NUT, NYLON LOCK, 5/16 - 18	2	2
10	1016967	RIVET, BLIND PUSH TYPE	2	2
11	1016702-01	NAMEPLATE, CLUB CAR (SILVER)	1	1
12	1016925-04	BODY, FRONT (GRAY)	1	1
12	1016939-04	BODY, FRONT WITH HEADLIGHT OPENING (GRAY) (CARRYALL VI ONLY)	1	1
12	1016939-09	BODY, FRONT WITH HEADLIGHT OPENING (GREEN) (CARRYALL TURF II)	1	1
13	1011014	TRIM, FRONT BODY	1	1
14	0007251	SCREW, PHILLIPS TRUSS HEAD, 5/16 - 18 x 1	2	2
15	1010435	BOLT, CARRIAGE, 5/16 - 18 x 1	2	2
16	0001241	WASHER, FLAT, 5/16	2	2
17	0007473	NUT, NYLON LOCK, 5/16 - 18	2	2
18	1011017	SCREW, FLANGE LOCK	6	6
19	1011394	NUT, SLAB BASE "T" (PACKAGE OF 4)	1	1
20	1013475-01	TRIM, SIDE BUMPER GUARD (CARRYALL I ONLY)	2	2
20	1013475-02	TRIM, SIDE BUMPER GUARD (CARRYALL II, TURF II, AND II PLUS)	2	2
20	1013475-03	TRIM, SIDE BUMPER GUARD (CARRYALL VI ONLY)	2	2
21	1012047	SCREW, SELF-TAPPING, #8 - 32 x 3/8	8	8
22	1014645	KIT, SNAP WASHER, BLACK (INCLUDES ITEMS 23 - 26)	1	1
23	N/A	NUT, SPEED, #10 - 32	1	1
24	N/A	WASHER, CUP, #10	1	1
25	N/A	SCREW, SHEET METAL, #10 x 3/4	1	1
26	N/A	COVER, SCREW HEAD	1	1
27	0007973	RIVET, ALUMINUM POP, 3/16	5	5
28	1015032	MAT, FLOOR, FRONT	1	1
29	1013343	COMPONENT, DASH, PASSENGER SIDE (BLACK)	1	1
30	1016604-04	PANEL, CENTER DASH (BLACK)	1	1
31	1013344	COMPONENT, DASH, DRIVER SIDE (BLACK)	1	1
32	1013422	KIT, CUP HOLDER (INCLUDES ITEMS 33 AND 34) (CARRYALL TURF II ONLY) ...	2	2
33	1010545	SCREW, HEX HEAD, 1/4 - 20 x 3/4	2	2
34	1013421	NUT, TWIN SPEED, 1/4 - 20	1	1



SEATS AND SUPPORT STRUCTURE— CARRYALL I, II, TURF II AND II PLUS

ITEM	PART NO.	DESCRIPTION	QTY GAS	QTY ELEC
		1 2 3 4		
1	1015645-02	ASSEMBLY, SEAT BOTTOM - WHITE (INCLUDES ITEMS 2 - 9)	1	1
1	1015645-03	ASSEMBLY, SEAT BOTTOM - BLACK (INCLUDES ITEMS 2 - 9)	1	1
1	1015645-05	ASSEMBLY, SEAT BOTTOM - GRAY (INCLUDES ITEMS 2 - 9)	1	1
2	1013309	STRAP, SEAT BOTTOM	1	1
3	1019543-01	SCREW, HEX HEAD, 1/4 - 20 x 1	5	5
4	0000332	WASHER, FLAT, 1/4	5	5
5	1018943-03	STIFFENER, SEAT	1	1
6	1010086	T-NUT	5	5
7	1013311	BUMPER, SEAT, SHORT	4	4
8	1015627-02	COVER, VINYL SEAT BOTTOM - WHITE	1	1
8	1015627-04	COVER, VINYL SEAT BOTTOM - BLACK	1	1
8	1015627-10	COVER, VINYL SEAT BOTTOM - GRAY	1	1
9	1013312	BUMPER, SEAT, LONG	1	1
10	1018885-01	ASSEMBLY, ARM REST, PASSENGER	1	1
11	1018885-02	ASSEMBLY, ARM REST, DRIVER	1	1
12	1015239	PANEL, SEAT SUPPORT	1	1
13	1010434	BARREL, PLASTIC	5	5
14	1019639-01	TRIM, SEAT BOTTOM, REAR	1	1
15	1019640-01	TRIM, SEAT BOTTOM, FRONT	1	1
16	1015652-02	ASSEMBLY, SEAT BACK - WHITE (INCLUDES ITEMS 17 AND 18)	2	2
16	1015652-05	ASSEMBLY, SEAT BACK - BLACK (INCLUDES ITEMS 17 AND 18)	2	2
16	1015652-06	ASSEMBLY, SEAT BACK - GRAY (INCLUDES ITEMS 17 AND 18)	2	2
17	1015626-02	COVER, VINYL SEAT BACK - WHITE	1	1
17	1015626-04	COVER, VINYL SEAT BACK - BLACK	1	1
17	1015626-05	COVER, VINYL SEAT BACK - GRAY	1	1
18	1013335	CAP, SEAT BACK - BLACK	1	1
19	1019462-01	WASHER, EXTERNAL TOOTH LOCK, 1/4	8	8
20	0008248	SCREW, PHILLIPS TRUSS HEAD, 1/4 - 20 x 3/4	8	8
21	1019586-01	BOLT, CARRIAGE, 1/4 - 20 x 3/4	10	10
22	1018356-01	NUT, FLANGE, 1/4 - 20	10	10
23	1019633-01	BOLT, CARRIAGE, 5/16 - 18 x 3/4	4	4
24	1019634-01	NUT, FLANGE, 5/16 - 18	4	4
25	1014387	CAP, CORNER	2	2
26	1014321	SCREW, TRUSS TORX HEAD, 1/4 - 14 x 3/4	4	4

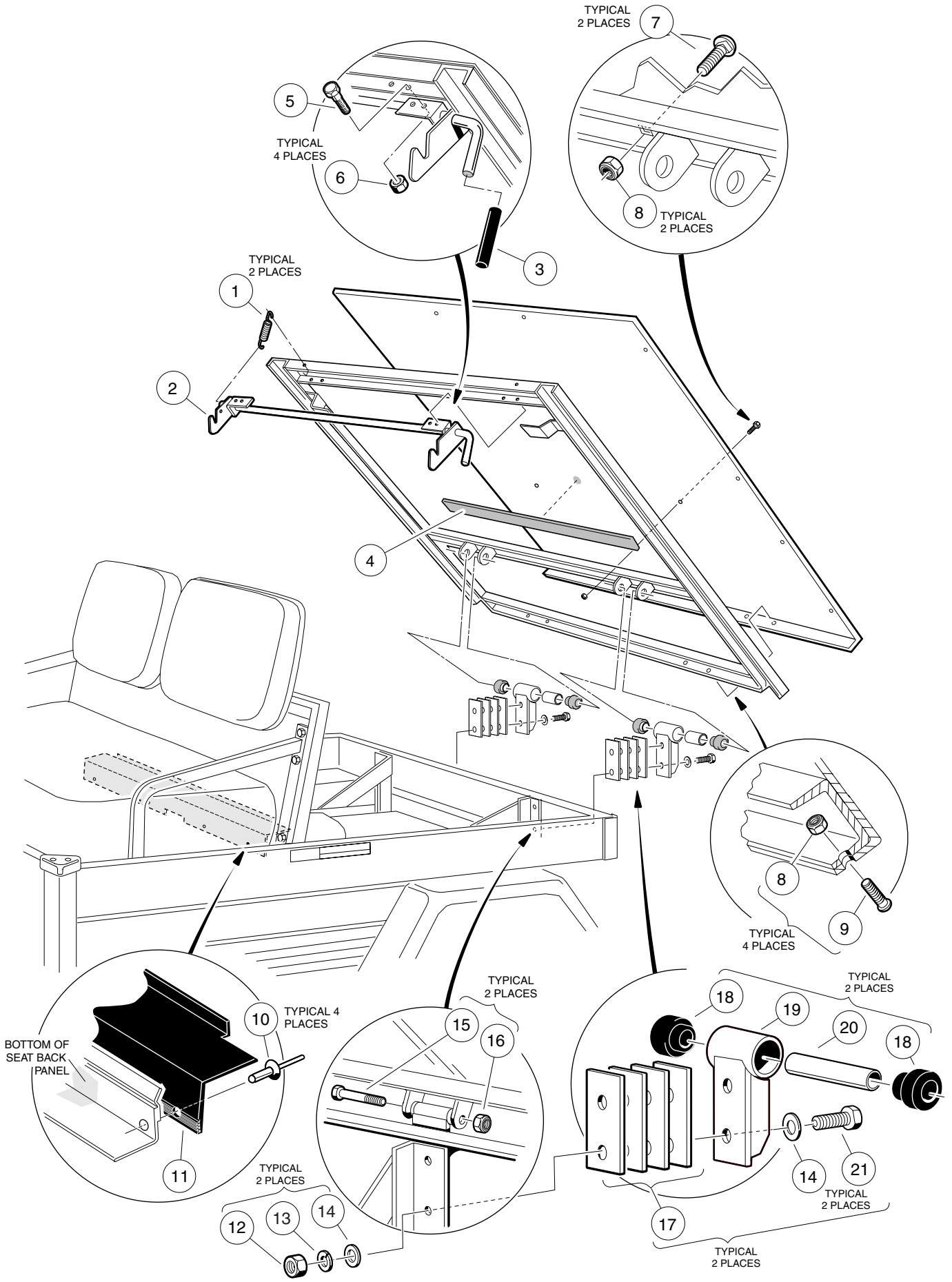
2
G
E



SEATS AND SUPPORT STRUCTURE— CARRYALL VI

ITEM	PART NO.	DESCRIPTION	QTY GAS	QTY ELEC
		1 2 3 4		
1	1015645-02	ASSEMBLY, SEAT BOTTOM - WHITE (INCLUDES ITEMS 2 - 9)	1	1
1	1015645-03	ASSEMBLY, SEAT BOTTOM - BLACK (INCLUDES ITEMS 2 - 9)	1	1
1	1015645-05	ASSEMBLY, SEAT BOTTOM - GRAY (INCLUDES ITEMS 2 - 9)	1	1
2	1013309	STRAP, SEAT BOTTOM	1	1
3	1019543-01	SCREW, HEX HEAD, 1/4 - 20 x 1	5	5
4	0000332	WASHER, FLAT, 1/4	5	5
5	1018943-03	STIFFENER, SEAT	1	1
6	1010086	T-NUT	5	5
7	1013311	BUMPER, SEAT, SHORT	4	4
8	1015627-02	COVER, VINYL SEAT BOTTOM - WHITE	1	1
8	1015627-04	COVER, VINYL SEAT BOTTOM - BLACK	1	1
8	1015627-10	COVER, VINYL SEAT BOTTOM - GRAY	1	1
9	1013312	BUMPER, SEAT, LONG	1	1
10	1018885-01	ASSEMBLY, ARMREST, PASSENGER	1	1
11	1018885-02	ASSEMBLY, ARMREST, DRIVER	1	1
12	1018010-01	PLATE, RECEPTACLE BACKING (ELECTRIC VEHICLE ONLY)		1
13	1010434	BARREL, PLASTIC	5	5
14	1019639-01	TRIM, SEAT BOTTOM, REAR	1	1
15	1019640-01	TRIM, SEAT BOTTOM, FRONT	1	1
16	1016777-01	ASSEMBLY, SEAT BACK - WHITE (INCLUDES ITEMS 17 AND 18)	1	1
16	1016777-02	ASSEMBLY, SEAT BACK - BLACK (INCLUDES ITEMS 17 AND 18)	1	1
16	1016777-05	ASSEMBLY, SEAT BACK - GRAY (INCLUDES ITEMS 17 AND 18)	1	1
17	1016755-02	COVER, VINYL SEAT BACK - WHITE	1	1
17	1016755-04	COVER, VINYL SEAT BACK - BLACK	1	1
17	1016755-06	COVER, VINYL SEAT BACK - GRAY	1	1
18	1016751	CAP, SEAT BACK	1	1
19	1019462-01	WASHER, EXTERNAL TOOTH LOCK, 1/4	8	8
20	0008251	SCREW, PHILLIPS TRUSS HEAD, 1/4 - 20 x 1	8	8
21	1019586-01	BOLT, CARRIAGE, 1/4 - 20 x 3/4	10	10
22	1018356-01	NUT, FLANGE, 1/4 - 20	10	10
23	1016723	PANEL, SEAT SUPPORT	1	1
24	1019633-01	BOLT, CARRIAGE, 5/16 - 18 x 3/4	4	4
25	1019634-01	NUT, FLANGE, 5/16 - 18	4	4
26	1014387	CAP, CORNER	2	2
27	1014321	SCREW, TRUSS TORX HEAD, 1/4 - 14 x 3/4	4	4
28	1016673	HOUSING, CORD (ELECTRIC VEHICLE ONLY)		1
29	0008796	SCREW, PHILLIPS HEAD, #7 - 19 x 3/4 (ELECTRIC VEHICLE ONLY)		4

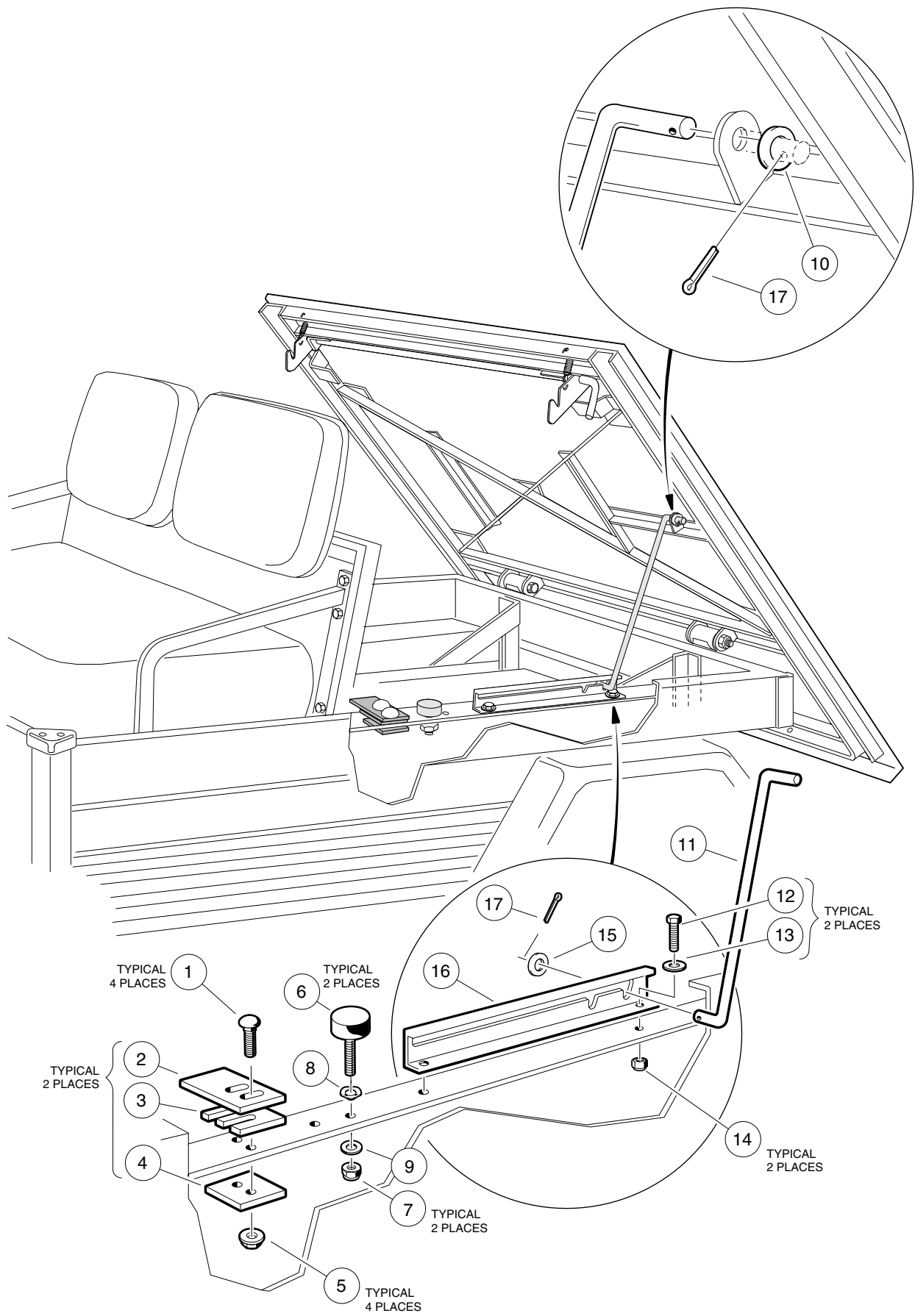
2
G
E



TILT BED, HINGE, AND LATCH—CARRYALL I

ITEM	PART NO.	DESCRIPTION	QTY GAS	QTY ELEC
		1 2 3 4		
	1015427	ASSEMBLY, TILT BED AND LATCH, CARRYALL I (INCLUDES ITEMS 1 - 9).....	1	1
1	1015391	SPRING, LATCH EXTENSION	2	2
2	1015252	ASSEMBLY, LATCH WELD	1	1
3	1015400	HAND GRIP, TILT LATCH	1	1
4	1014471	INSULATION, BULK, (42" LONG)	A/R	A/R
5	0000403	SCREW, HEX HEAD CAP, 1/4 - 20 x 5/8	4	4
6	1018356-01	NUT, FLANGED LOCK, 1/4 - 20	4	4
7	1010435	BOLT, CARRIAGE, 5/16 - 18 x 1	2	2
8	0007473	NUT, NYLON LOCK, 5/16 - 18	6	6
9	1015399	SCREW, TORX TRUSS HEAD, 5/16 - 18 x 3/4	4	4
10	0007532	RIVET, 5/16	4	4
11	1017976	SEAL, BED	1	1
12	0000706	NUT, HEX, 3/18 - 16	4	4
13	0000357	WASHER, LOCK, 3/8	4	4
14	1011990	WASHER, FLAT, 3/8	8	8
15	0008755	SCREW, HEX HEAD CAP, 3/8 - 16 x 3 3/8	2	2
16	0008754	NUT, NYLON LOCK, 3/8 - 16	2	2
17	1015507	SHIM, TILT BED PIVOT	A/R	A/R
18	1015583	BUSHING, URETHANE	4	4
19	1015356	ASSEMBLY, TILT BED HINGE WELD	2	2
20	1012303	BUSHING, STEEL	2	2
21	0008861	SCREW, HEX HEAD CAP, 3/8 - 16 x 1 3/4	4	4
FOR LATCH PLATE COMPONENTS, SEE PAGE 2 - 11.				

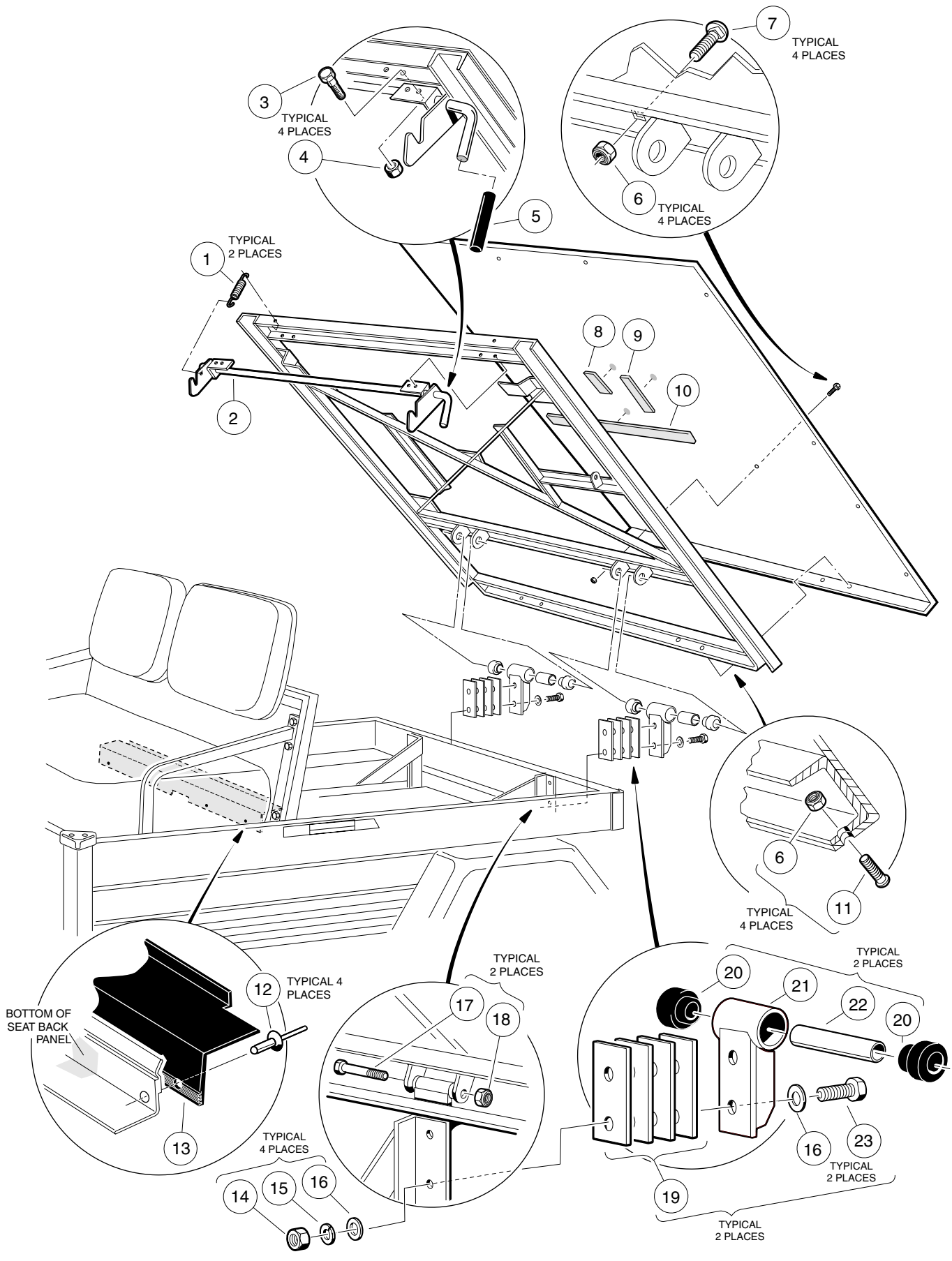
2
G
E



LATCH PLATE—CARRYALL I, II, TURF II AND II PLUS PROP ROD—CARRYALL II, TURF II AND II PLUS

ITEM	PART NO.	DESCRIPTION	QTY GAS	QTY ELEC
		1 2 3 4		
		ITEMS 1 - 9: CARRYALL I, II, TURF II AND II PLUS		
1	1019586-01	BOLT, CARRIAGE, 1/4 - 20 x 1	4	4
2	1015277	PLATE, TILT BED LATCH	2	2
3	1016078	SHIM, LATCH PLATE	A/R	A/R
4	1016060	SUPPORT, LATCH PLATE	2	2
5	1018356-01	NUT, FLANGE, 1/4 - 20	4	4
6	1010878	BUMPER, RUBBER	2	2
7	0008233	NUT, NYLON LOCK, 1/4 - 20	2	2
8	1016201	WASHER, WAVE	2	2
9	0000332	WASHER, FLAT, 1/4	2	2
	1019228-01	KIT, PROP ROD (CARRYALL II, TURF II AND II PLUS) (INCLUDES ITEMS 10 - 17)	1	1
10	0000334	WASHER, FLAT, 3/8	1	1
11	N/A	ROD, PROP	1	1
12	0007847	SCREW, HEX HEAD CAP, 1/4 - 20 x 3/4	2	2
13	0000332	WASHER, FLAT, 1/4	2	2
14	0008233	NUT, NYLON LOCK, 1/4 - 20	2	2
15	1017328	WASHER, CONVEX, 3/8	1	1
16	N/A	TRACK, PROP ROD	1	1
17	0001035	PIN, COTTER, 3/32 x 1	2	2

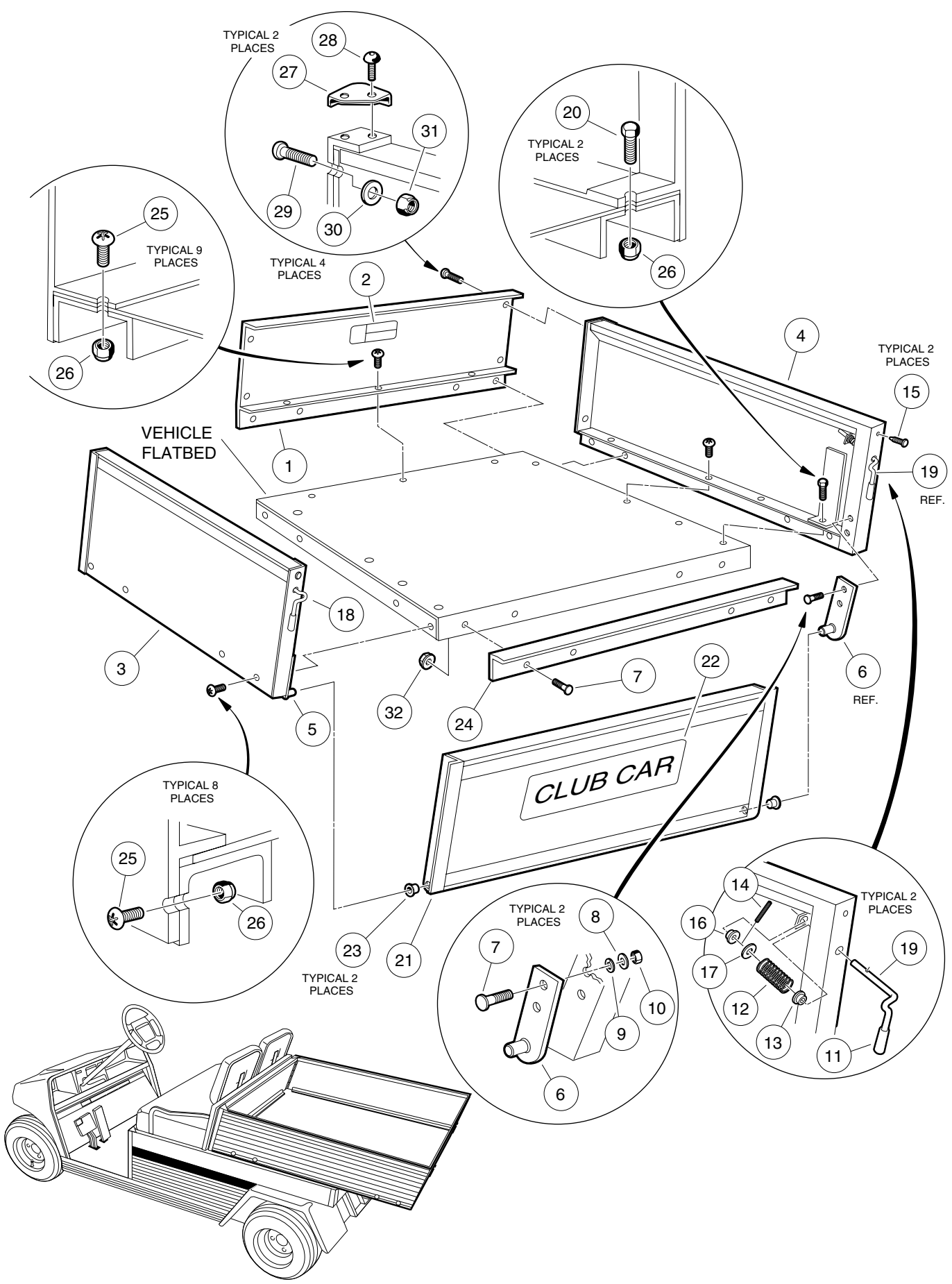
2
G
E



TILT BED, HINGE AND LATCH— CARRYALL II, TURF II AND II PLUS

ITEM	PART NO.	DESCRIPTION	QTY GAS	QTY ELEC
		1 2 3 4		
	1015429-01	ASSEMBLY, TILT BED, MANUAL LIFT, CARRYALL II, TURF II AND II PLUS (INCLUDES ITEMS 1 - 11)	1	1
1	1015391	SPRING, LATCH EXTENSION	2	2
2	1015252	ASSEMBLY, LATCH WELD	1	1
3	0000403	SCREW, HEX HEAD CAP, 1/4 - 20 x 5/8	4	4
4	1018356-01	NUT, FLANGED LOCK, 1/4 - 20	4	4
5	1015400	HAND GRIP, TILT LATCH	1	1
6	0007473	NUT, NYLON LOCK, 5/16 - 18	8	8
7	1010435	BOLT, CARRIAGE, 5/16 - 18 x 1	4	4
8	1014471	INSULATION, BULK (4" LONG)	A/R	A/R
9	1014471	INSULATION, BULK (8" LONG)	A/R	A/R
10	1014471	INSULATION, BULK (46" LONG)	A/R	A/R
11	1015399	SCREW, TORX TRUSS HEAD, 5/16 - 18 x 5/8	4	4
12	0007532	RIVET, 5/16	4	4
13	1017976	SEAL, BED	1	1
14	0000706	NUT, HEX, 3/8 - 16	4	4
15	0000357	WASHER, LOCK, 3/8	4	4
16	1011990	WASHER, FLAT, 3/8	8	8
17	0008755	SCREW, HEX HEAD CAP, 3/8 - 16 x 3 3/8	2	2
18	0008754	NUT, NYLON LOCK, 3/8 - 16	2	2
19	1015507	SHIM, TILT BED PIVOT	A/R	A/R
20	1015583	BUSHING, URETHANE	4	4
21	1015356	ASSEMBLY, TILT BED HINGE WELD	2	2
22	1012303	BUSHING, STEEL	2	2
23	0008861	SCREW, HEX HEAD CAP, 3/8 - 16 x 1 3/4	4	4
FOR LATCH PLATE AND PROP ROD COMPONENTS, SEE PAGE 2 - 11.				

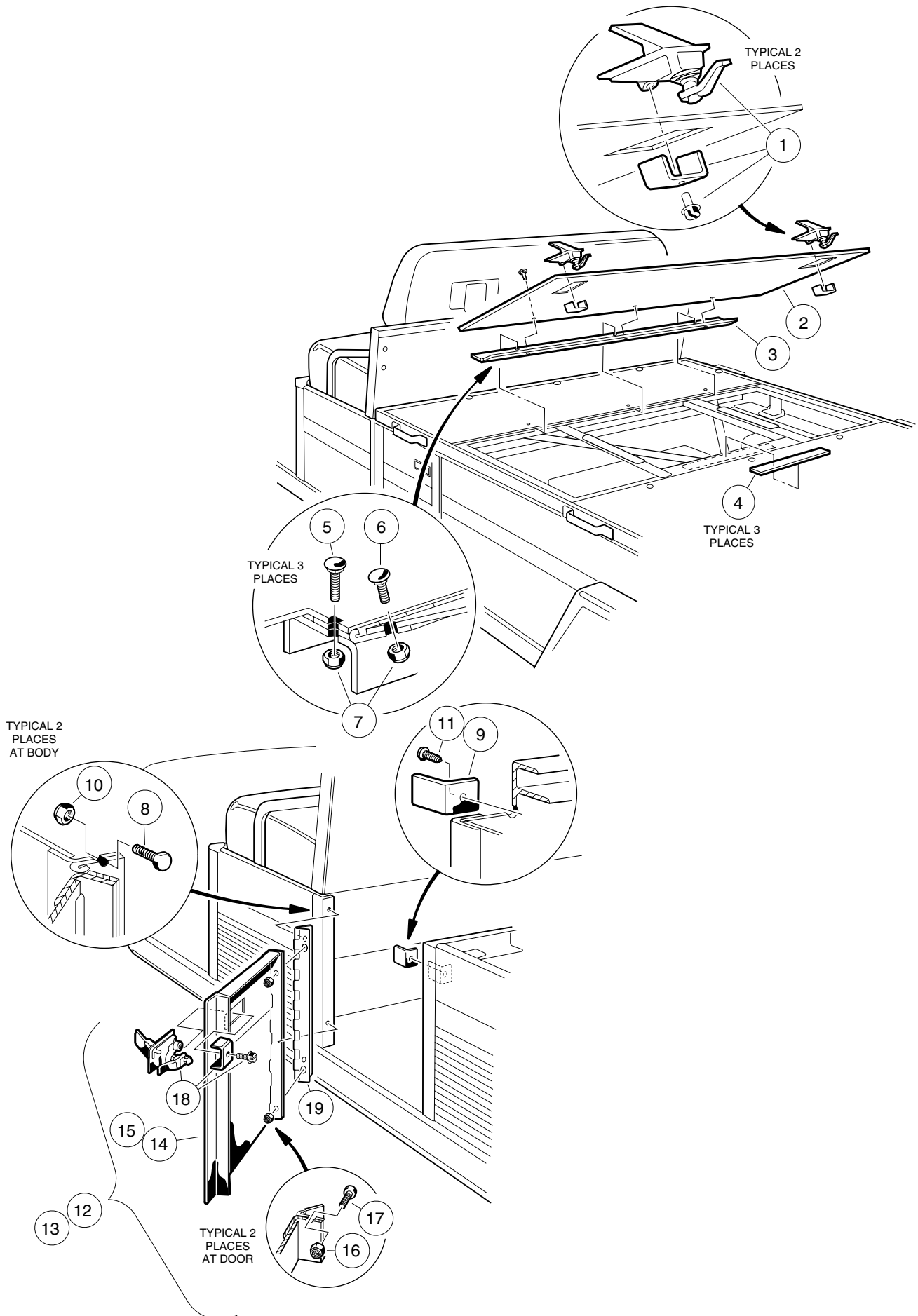
2
G
E



CARGO BOX-CARRYALL TURF II

ITEM	PART NO.	DESCRIPTION	QTY GAS	QTY ELEC
		1 2 3 4		
	1015607	KIT, CARGO BOX (INCLUDES ITEMS 1 - 32)	1	1
1	1015412	FRONT PANEL ASSEMBLY (INCLUDES ITEM 2)	1	1
2	1015539-01	DECAL, BED LOAD	1	1
3	1015368	SIDE PANEL ASSEMBLY, DRIVER SIDE (INCLUDES ITEMS 5 AND 7 - 18)	1	1
4	1015366	SIDE PANEL ASSEMBLY, PASSENGER SIDE (INCLUDES ITEMS 6 - 17 AND 19)	1	1
5	1014513	BRACKET, TAILGATE, DRIVER SIDE	1	1
6	1014514	BRACKET, TAILGATE, PASSENGER SIDE	1	1
7	1014537	STUD, FLUSH HEAD	8	8
8	0001241	WASHER, FLAT, 5/16	4	4
9	0007174	WASHER, LOCK, 5/16	4	4
10	0001242	NUT, HEX, 5/16 - 18	4	4
11	1015400	GRIP, HAND	2	2
12	1015390	SPRING, COMPRESSION	2	2
13	0001032	BUSHING, NYLON	2	2
14	0001231	ROLL PIN, 1/8 x 1	2	2
15	1010434	BARREL, PLASTIC (BLACK)	2	2
16	1015363	BUSHING	2	2
17	1011990	WASHER, FLAT, 3/8	2	2
18	1015313	LATCH, DRIVER SIDE	1	1
19	1015245	LATCH, PASSENGER SIDE	1	1
20	1010934	SCREW, HEX HEAD CAP, 5/16 - 18 x 1	2	2
21	1015424	TAILGATE ASSEMBLY (INCLUDES ITEM 22)	1	1
22	1013317	DECAL, CLUB CAR TAILGATE	2	2
23	0007049	BUSHING, NYLON	2	2
24	1018947-02	KIT, TAILGATE ANGLE	1	1
25	1015399	SCREW, TORX TRUSS HEAD, 5/16 - 18 x 3/4	17	17
26	0007473	NUT, NYLON LOCK, 5/16 - 18	19	19
27	1014387	CAP, CORNER	2	2
28	1014321	SCREW, TORX TRUSS HEAD, #10 - 24 x 3/8	4	4
29	1014415	SCREW, TORX TRUSS HEAD, 1/4 - 20 x 3/4	4	4
30	0000332	WASHER, FLAT, 1/4	4	4
31	0008233	NUT, NYLON LOCK, 1/4 - 20	4	4
32	1019634-01	NUT, FLANGE LOCK, 5/16 - 18	4	4

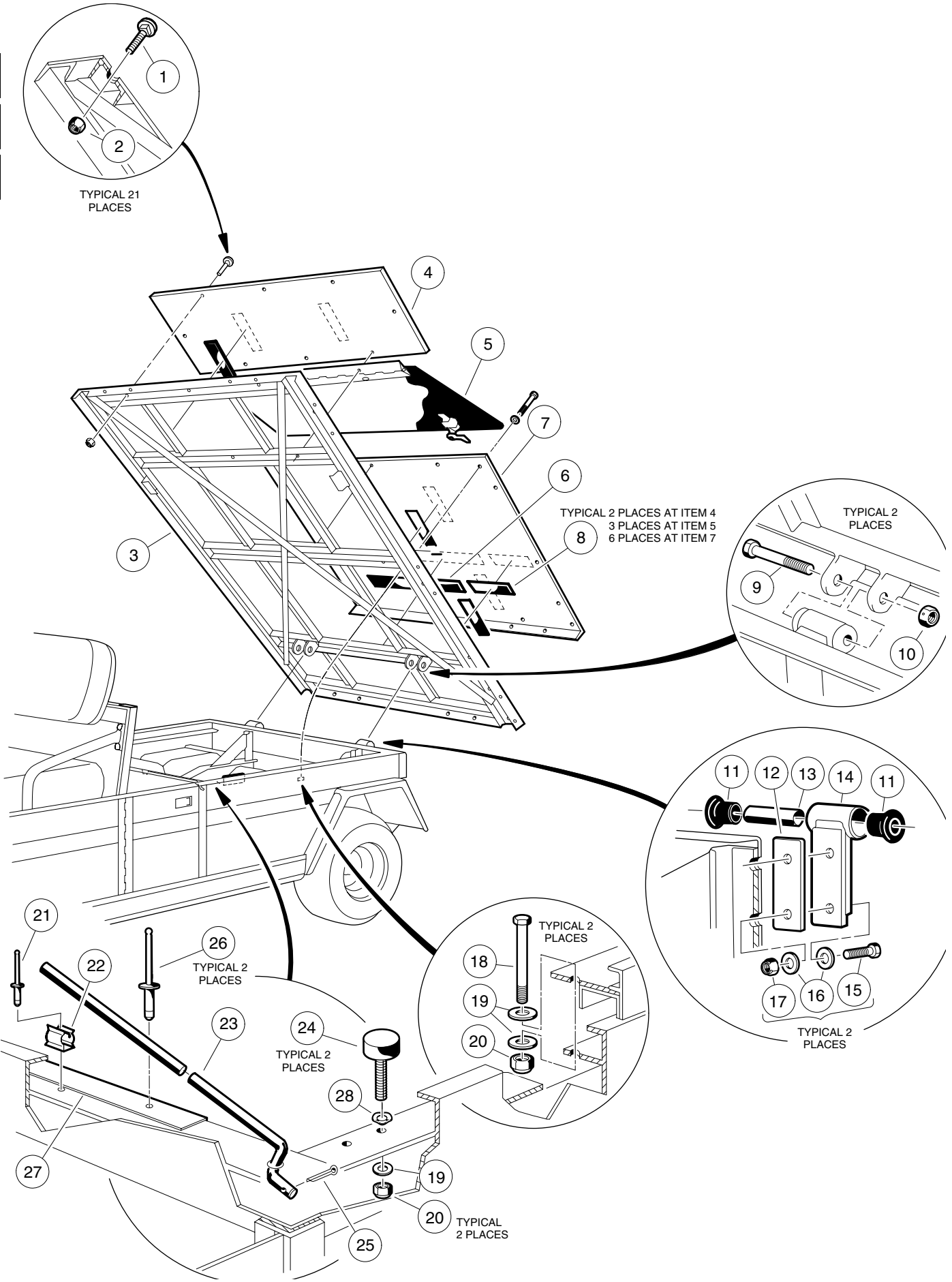
2
G
E



ACCESS DOOR AND SIDE DOORS—CARRYALL VI

ITEM	PART NO.	DESCRIPTION	QTY GAS	QTY ELEC
		1 2 3 4		
1	1016914	LATCH, COMPARTMENT DOOR	2	2
2	1016891-01	PLATE, LONG BED ACCESS DOOR	1	1
3	1016881	HINGE, LONG BED ACCESS DOOR	1	1
4	1014471	INSULATION, BULK (8-1/2" LONG)	A/R	A/R
5	1010435	BOLT, CARRIAGE, 5/16 - 18 x 1	3	3
6	1017077	BOLT, CARRIAGE, 5/16 - 18 x 5/8	3	3
7	0007473	NUT, NYLON LOCK, 5/16 - 18	6	6
8	0000403	SCREW, HEX HEAD CAP, 1/4 - 20 x 5/8	2	2
9	1013280	CLIP, ANGLE, CARRYALL	2	2
10	0008233	NUT, NYLON LOCK, 1/4 - 20	2	2
11	1012285	SCREW, THREAD-ROLLING, 1/4 - 20 x 5/8	2	2
12	1016955	ASSEMBLY, COMPARTMENT DOOR (DRIVER SIDE) (INCLUDES ITEMS 14, 16 - 19)	1	1
13	1016954	ASSEMBLY, COMPARTMENT DOOR (PASSENGER SIDE) (INCLUDES ITEMS 15 - 19)	1	1
14	1016918	ASSEMBLY, COMPARTMENT DOOR WELD (DRIVER SIDE).....	1	1
15	1016909	ASSEMBLY, COMPARTMENT DOOR WELD (PASSENGER SIDE)	1	1
16	0008233	NUT, NYLON LOCK, 1/4 - 20	2	2
17	0000403	SCREW, HEX HEAD CAP, 1/4 - 20 x 5/8	2	2
18	1016914	LATCH, COMPARTMENT DOOR	2	2
19	1016920	HINGE, COMPARTMENT DOOR	2	2

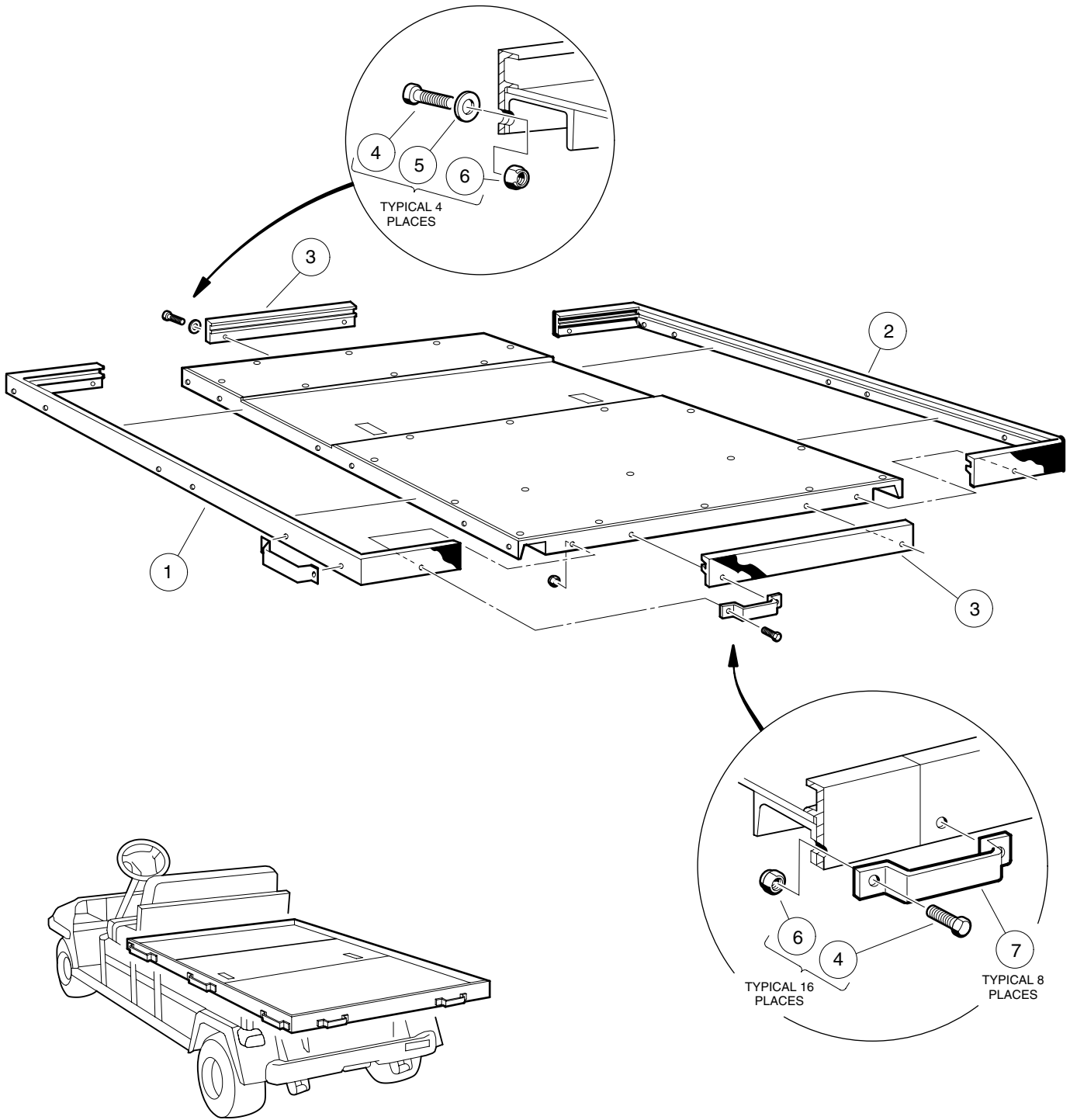
2
G
E



FLAT BED ASSEMBLY—CARRYALL VI

ITEM	PART NO.	DESCRIPTION	QTY GAS	QTY ELEC
		1 2 3 4		
	1016942	ASSEMBLY, FLAT BED (INCLUDES ITEMS 1 - 8)	1	1
1	1010435	BOLT, CARRIAGE, 5/16 - 18 x 1	21	21
2	0007473	NUT, NYLON LOCK, 5/16 - 18	21	21
3	1016878	FRAME, BED	1	1
4	1016892	PLATE, FORWARD FLOOR	1	1
5		ACCESS DOOR, LATCH, AND MOUNTING HARDWARE (SEE PAGE 2-15)		
6	1014471	INSULATION, BULK (20" LONG)	A/R	A/R
7	1016893	PLATE, REAR FLOOR	1	1
8	1014471	INSULATION, BULK (8" LONG)	A/R	A/R
9	0008755	SCREW, HEX HEAD CAP, 3/8 - 16 x 3-3/8	2	2
10	0008754	NUT, NYLON LOCK, 3/8 - 16	2	2
11	1015583	BUSHING, URETHANE	4	4
12	1015507	SHIM, TILT BED PIVOT	A/R	A/R
13	1012303	BUSHING, STEEL	2	2
14	1015356	ASSEMBLY, TILT BED HINGE WELD	2	2
15	0008861	SCREW, HEX HEAD CAP, 3/8 - 16 x 1 3/4	4	4
16	1011990	WASHER, FLAT, 3/8	8	8
17	0008754	NUT, NYLON LOCK, 3/8 - 16	4	4
18	1013872	SCREW, HEX HEAD CAP, 1/4 - 20 x 4	2	2
19	0000332	WASHER, FLAT, 1/4	6	6
20	0008233	NUT, NYLON LOCK, 1/4 - 20	4	4
21	1015727	RIVET, POP	1	1
22	1013413	CLIP, ROD, 3/8	1	1
23	1017213	ROD, PROP, LONG BED	1	1
24	1010878	BUMPER, RUBBER	2	2
25	0001035	PIN, COTTER, 3/32 x 1	1	1
26	1013357	RIVET, POP		2
27	1018370-01	INSULATOR, BATTERY		1
28	1016201	WASHER, WAVE	2	2

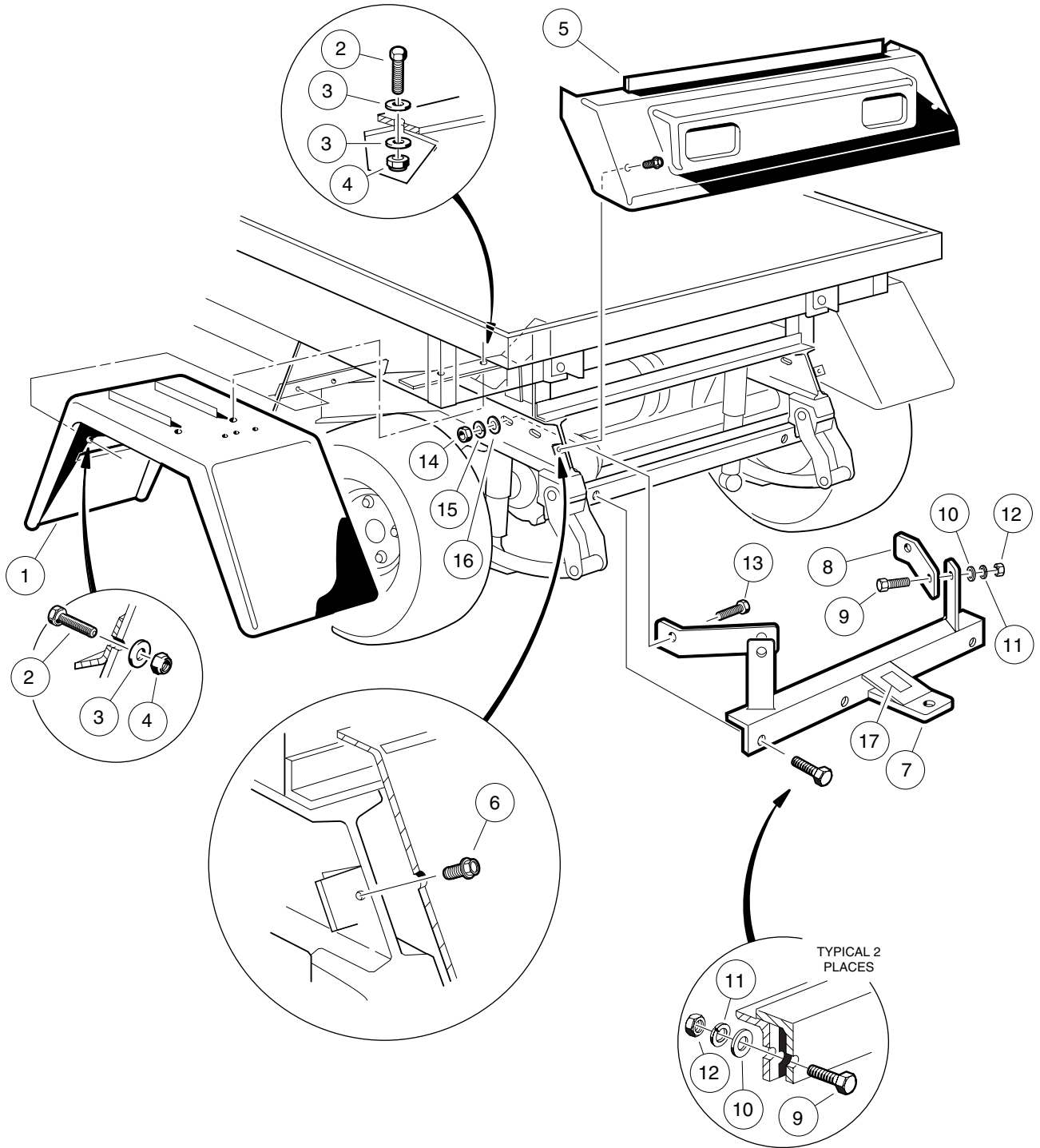
2
G
E



FLAT BED TRIM—CARRYALL VI

ITEM	PART NO.	DESCRIPTION	QTY GAS	QTY ELEC
		1 2 3 4		
1	1016944	TRIM, LONG BED, DRIVER SIDE	1	1
2	1016948	TRIM, LONG BED, PASSENGER SIDE	1	1
3	1016943	TRIM, LONG BED, FRONT AND REAR.....	2	2
4	1010934	BOLT, HEX HEAD, 5/16 - 18 x 1	20	20
5	0001241	WASHER, FLAT, 5/16	4	4
6	0007473	NUT, NYLON LOCK, 5/16 - 18	20	20
7	1016077	BRACKET, STAKE SIDE	8	8

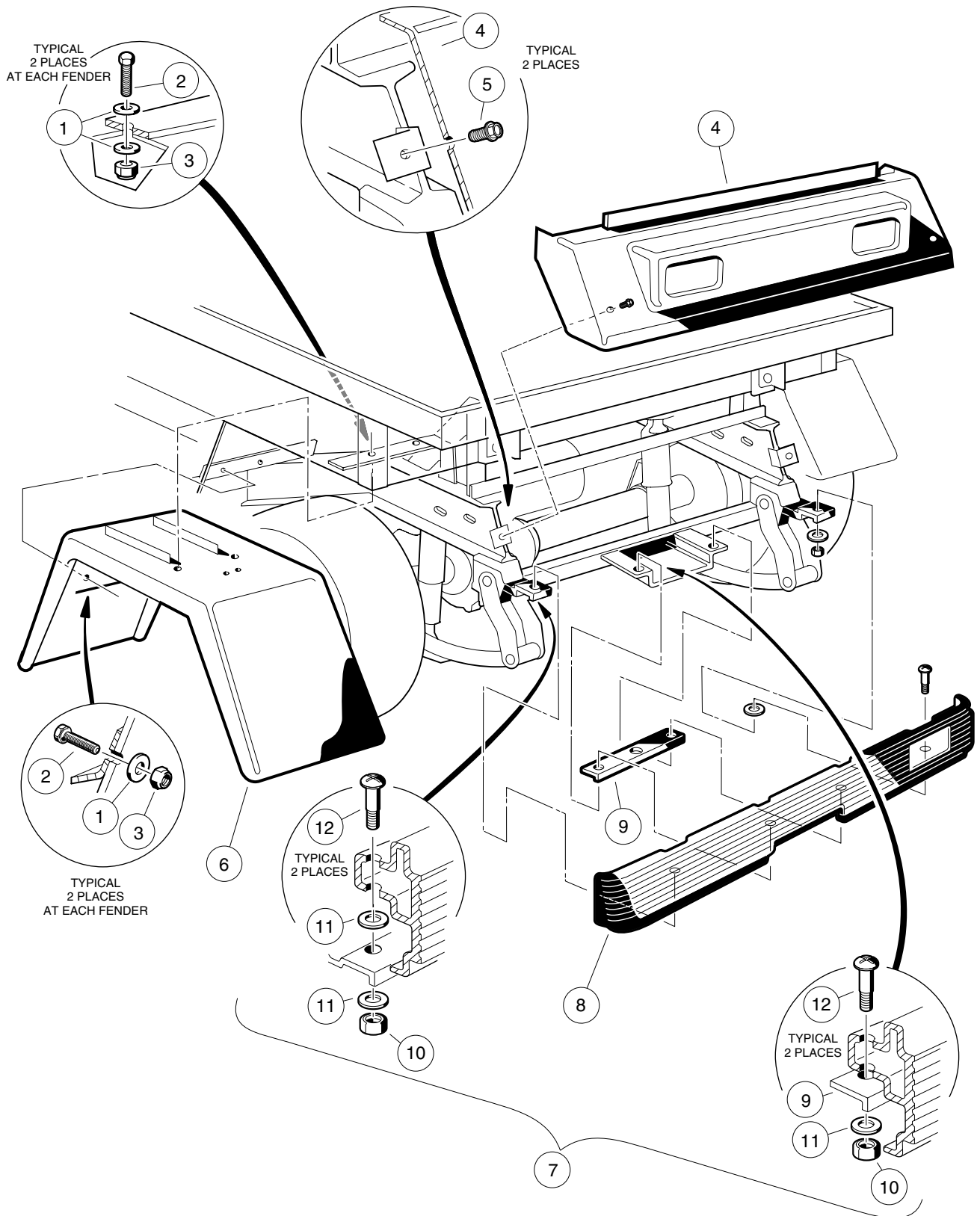
2
G
E



REAR COVER—CARRYALL I, II, TURF II AND II PLUS

ITEM	PART NO.	DESCRIPTION	QTY GAS	QTY ELEC
		1 2 3 4		
1	1016679	FENDER, REAR	2	2
2	0000304	SCREW, HEX HEAD CAP, 1/4 - 20 x 1	8	8
3	1014306	WASHER, FLAT, TYPE B, 1/4	8	8
4	0008233	NUT, NYLON LOCK, 1/4 - 20	8	8
5	1015530	TAILSKIRT	1	1
6	1012285	SCREW, THREAD-ROLLING, 1/4 - 20 x 5/8	2	2
7	1015445	KIT, TRAILER HITCH (CARRYALL II, TURF II AND II PLUS) (INCLUDES ITEMS 8 - 17)	1	1
8	1013483	BRACE, TRAILER HITCH	2	2
9	1010934	SCREW, HEX HEAD CAP, 5/16 - 18 x 1	4	4
10	0001241	WASHER, FLAT, 5/16	4	4
11	0007174	WASHER, LOCK, 5/16	4	4
12	0001242	NUT, HEX, 5/16 - 18	4	4
13	0000705	SCREW, HEX HEAD CAP, 3/8 - 16 x 1 1/4.....	2	2
14	0000706	NUT, HEX, 3/8 - 16	2	2
15	0000357	WASHER, LOCK, 3/8	2	2
16	1011990	WASHER, FLAT, 3/8	2	2
17	1011553	DECAL	1	1

2
G
E



REAR COVER—CARRYALL VI

ITEM	PART NO.	DESCRIPTION	QTY GAS	QTY ELEC
		1 2 3 4		
1	1014306	WASHER, FLAT, 1/4	12	12
2	0000304	SCREW, HEX HEAD CAP, 1/4 - 20 x 1	8	8
3	0008233	NUT, NYLON LOCK, 1/4 - 20	8	8
4	1015530	TAILSKIRT	1	1
5	1012285	SCREW, THREAD-ROLLING, 1/4 - 20 x 5/8	2	2
6	1016679	FENDER, REAR	2	2
7	1017079	KIT, REAR BUMPER (INCLUDES ITEMS 8 - 12)	1	1
8	1016379	BUMPER, REAR	1	1
9	1016875	PLATE, MOUNTING, LONG	1	1
10	0007473	NUT, NYLON LOCK, 5/16 - 18	4	4
11	1011697	WASHER, FLAT, 5/16	6	6
12	1016876	BOLT, PHILLIPS TRUSS HEAD SHOULDER, 3/8 - 18 x 2	4	4

2
G
E

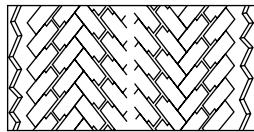
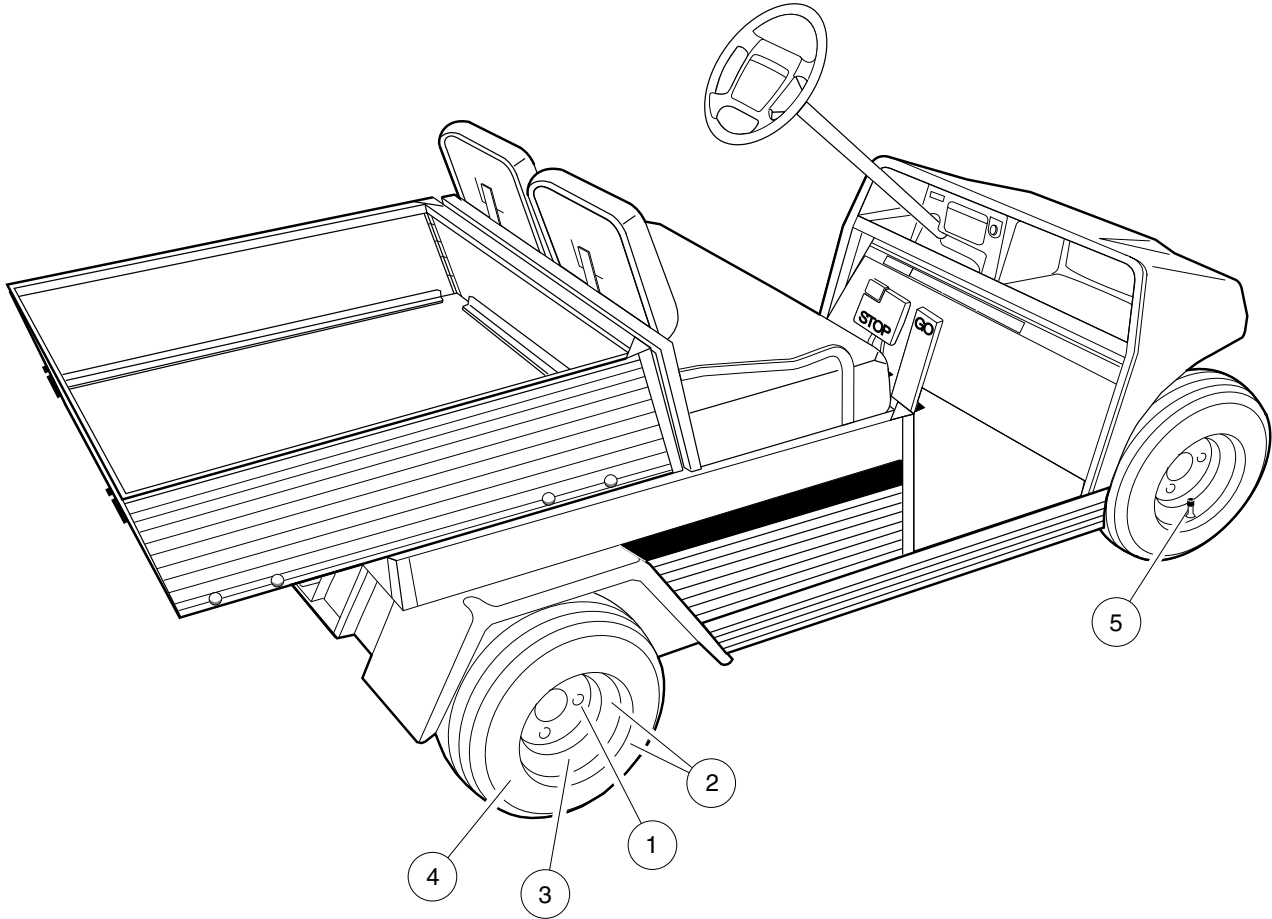
2
G
E

WHEELS AND TIRES

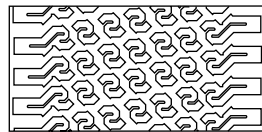
3

G

E



**PREMIUM
TREAD**



**EXTRA
TRACTION**

WHEELS AND TIRES

ITEM	PART NO.	DESCRIPTION	QTY GAS	QTY ELEC
		1 2 3 4		
1	1010984	NUT, LUG	16	16
2	1016514-02	ASSEMBLY, WHITE WHEEL AND TIRE, PREMIUM TREAD, 4-PLY (18 x 8.5 - 8) (CARRYALL I ONLY)	2	2
2	1016514-06	ASSEMBLY, WHITE WHEEL AND TIRE, PREMIUM TREAD, 6-PLY (18 x 8.5 - 8).....	2	2
2	1016514-07	ASSEMBLY, WHITE WHEEL AND TIRE, EXTRA TRACTION, 6-PLY (18 x 8.5 - 8) ...	2	2
2	1016514-09	ASSEMBLY, WHITE WHEEL AND TIRE (18.5 x 6.5 - 8) (CARRYALL I, II, AND VI) ..	2	2
3	1014771	WHEEL RIM, WHITE (8 INCHES WIDE)	4	4
4	1015672-02	TIRE, UNMOUNTED, PREMIUM TREAD, 4-PLY (18 x 8.5 - 8) (CARRYALL I ONLY)	2	2
4	1017370-02	TIRE, UNMOUNTED, PREMIUM TREAD, 6-PLY (18 x 8.5 - 8)	2	2
4	1017693-02	TIRE, UNMOUNTED, EXTRA TRACTION, 6-PLY (18 x 8.5 - 8)	2	2
5	0007310	STEM, VALVE	4	4

3
G
E

3
G
E

SAFETY DECALS

4

G

E

⚠ WARNING
 READ AND FOLLOW THESE WARNINGS AND THE OPERATING INSTRUCTIONS BEFORE USING VEHICLE. FAILURE TO DO SO CAN CAUSE SEVERE INJURY OR DEATH.

- Operation from driver side by authorized persons only and only in designated areas - not on public roads.
- DO NOT start vehicle until all occupants (two (2) per seat maximum) are seated.
- Remain seated with entire body inside vehicle and hold on to seat handle or handrail at all times.
- Drive slowly in turns and straight up and down slopes.
- Never stand in front of or behind vehicle.
- DO NOT operate while under the influence of alcohol or drugs.
- DO NOT leave children unattended on vehicle at any time.

CCI 1019606-01

DRIVER/PASSENGER WARNING DECAL

KEY SWITCH DECAL



CARRYALL I, II, AND TURF II



CARRYALL II PLUS

OPERATING INSTRUCTIONS DECAL

OPERATING INSTRUCTIONS

- Read Owner's Manual and safety warnings located on dash panel prior to driving.
 - Study and understand controls.
- Make sure wheels are turned in desired direction.
- Turn key to "ON" position and be sure nothing is in your path.
- While vehicle is stopped, select direction by placing shift lever or switch in desired position:
 - F - Forward N - Neutral R - Reverse (Buzzer will sound)
- Vehicle will start moving when accelerator pedal is depressed.
- Slowly depress accelerator pedal to increase speed. Park brake will release when accelerator pedal is depressed.
- To stop, release accelerator pedal and depress brake pedal.
- After stopping, firmly depress park brake until it locks.
 - Place forward and reverse switch in neutral position.
 - Turn key "OFF" and remove key when not in use.

CCI 1018216-01

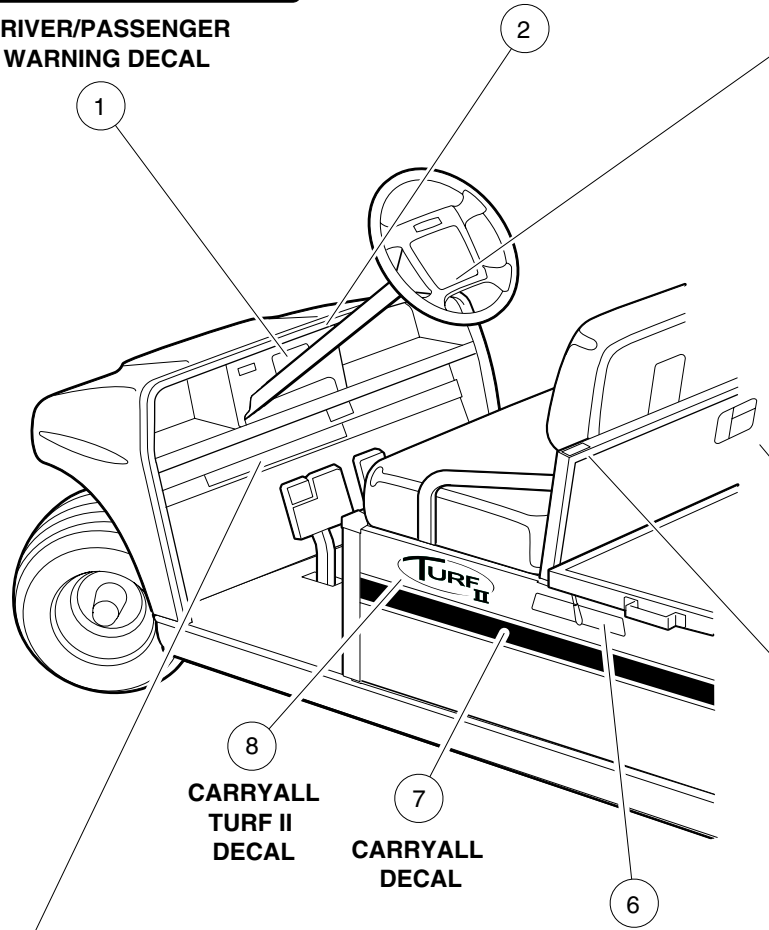
CARRYALL I, II, AND TURF II

OPERATING INSTRUCTIONS

- Read Owner's Manual and safety warnings located on dash panel prior to driving.
 - Study and understand controls.
- To start engine:
 - Place shift lever in "N" - Neutral position.
 - Depress brake pedal.
 - Turn key switch to "START" position and release.
- To operate vehicles:
 - Make sure wheels are turned in desired direction.
 - Be sure nothing is in your path.
 - While vehicle is stopped, select vehicle direction by placing shift lever or switch in desired position.
 - F - Forward N - Neutral R - Reverse (Buzzer will sound)
 - Park brake will release when accelerator pedal is pushed.
 - Slowly push accelerator pedal to increase speed.
 - Accelerator pedal must be released to shift vehicle to neutral.
- To stop vehicles:
 - Release accelerator pedal and push brake pedal.
 - After stopping, firmly push park brake until it locks.
 - Turn key to "OFF" position, remove key and place shift lever in straight up neutral position when not in use.

CCI 1016932-01

CARRYALL II PLUS



⚠ WARNING
 Riding in cargo bed can cause severe injury or death. Do not ride in cargo bed.

CCI 1015389-01

BED LOAD WARNING DECAL

⚠ WARNING
 CRUSH AREA

STAY CLEAR
 CCI 1016094-01

CRUSH AREA DECAL

⚠ WARNING
 Crush area. Can cause severe injury. Stay clear when closing bed.

LATCH

CCI 1015437-01

BED LATCH WARNING DECAL

VEHICLE LOADING DECAL

VEHICLE LOADING <small>Read Owner's Manual and warnings on dash.</small>	<ul style="list-style-type: none"> • Vehicle rated capacity - 800 lbs. on level surface only. Weight to include passengers, cargo bed load, and gross trailer weight. See Owner's Manual. • Maximum cargo load - 300 lbs. Weight to include cargo bed load and gross trailer weight. • Maximum trailer hitch tongue weight - 150 lbs. 	<ul style="list-style-type: none"> • Cargo should be evenly spread over the floor of the cargo bed as far forward as possible and secured. • For vehicle stability, when fully loaded, drive slowly and avoid stopping on or backing down steep hills. • Avoid top heavy loads. See Owner's Manual. • When driving on uneven terrain or down steep hills, reduce speed and load.
	CCI 1019601-01	

CARRYALL I ONLY

VEHICLE LOADING <small>Read Owner's Manual and warnings on dash.</small>	<ul style="list-style-type: none"> • Vehicle rated capacity - 1200 lbs. on level surface only. Weight to include passengers, cargo bed load, and gross trailer weight. See Owner's Manual. • Maximum cargo load - 800 lbs. Weight to include cargo bed load and gross trailer weight. • Maximum trailer hitch tongue weight - 150 lbs. 	<ul style="list-style-type: none"> • Cargo should be evenly spread over the floor of the cargo bed as far forward as possible and secured. • For vehicle stability, when fully loaded, drive slowly and avoid stopping on or backing down steep hills. • Avoid top heavy loads. See Owner's Manual. • When driving on uneven terrain or down steep hills, reduce speed and load.
	CCI 1019602-01	

CARRYALL II, TURF II, AND II PLUS

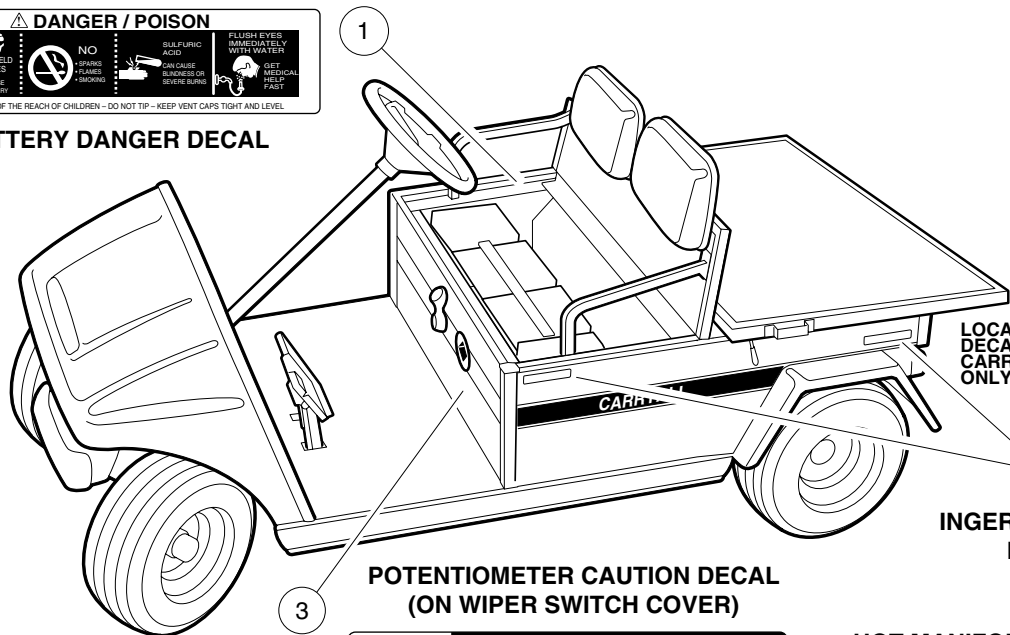
SAFETY DECALS— CARRYALL I, II, TURF II, AND II PLUS

ITEM	PART NO.	DESCRIPTION	QTY GAS	QTY ELEC
		1 2 3 4		
1	1019606-01	DECAL, DRIVER/PASSENGER WARNING	1	1
2	1018251-01	DECAL, KEY SWITCH (CARRYALL I, II, AND TURF II)	1	1
2	1018251-02	DECAL, KEY SWITCH (CARRYALL II PLUS ONLY)	1	
3	1016216-01	DECAL, OPERATING INSTRUCTIONS (CARRYALL I, II, AND TURF II)	1	1
3	1016932-01	DECAL, OPERATING INSTRUCTIONS (CARRYALL II PLUS ONLY)	1	
4	1015539-01	DECAL, BED LOAD WARNING	1	1
5	1016094-01	DECAL, CRUSH AREA	1	1
6	1015437-01	DECAL, BED/LATCH WARNING	1	1
7	1015397	DECAL, CARRYALL I (DRIVER SIDE)	1	1
7	1015396	DECAL, CARRYALL I (PASSENGER SIDE)	1	1
7	1015394	DECAL, CARRYALL II (DRIVER SIDE)	1	1
7	1015395	DECAL, CARRYALL II (PASSENGER SIDE)	1	1
7	1016086	DECAL, CARRYALL II PLUS (DRIVER SIDE)	1	1
7	1016085	DECAL, CARRYALL II PLUS (PASSENGER SIDE)	1	1
7	1019725-02	DECAL, CARRYALL TURF II (GREEN STRIPE) (DRIVER SIDE)	1	1
7	1019725-01	DECAL, CARRYALL TURF II (GREEN STRIPE) (PASSENGER SIDE)	1	1
8	1019737-01	DECAL, CARRYALL TURF II	2	2
9	1019601-01	DECAL, VEHICLE LOADING (CARRYALL I ONLY)	1	1
9	1019602-01	DECAL, VEHICLE LOADING (CARRYALL II, TURF II, AND II PLUS)	1	1

4
G
E



BATTERY DANGER DECAL



ELECTRIC VEHICLE

LOCATION OF I/R DECAL FOR CARRYALL TURF II ONLY

INGERSOLL-RAND DECAL

POTENTIOMETER CAUTION DECAL (ON WIPER SWITCH COVER)



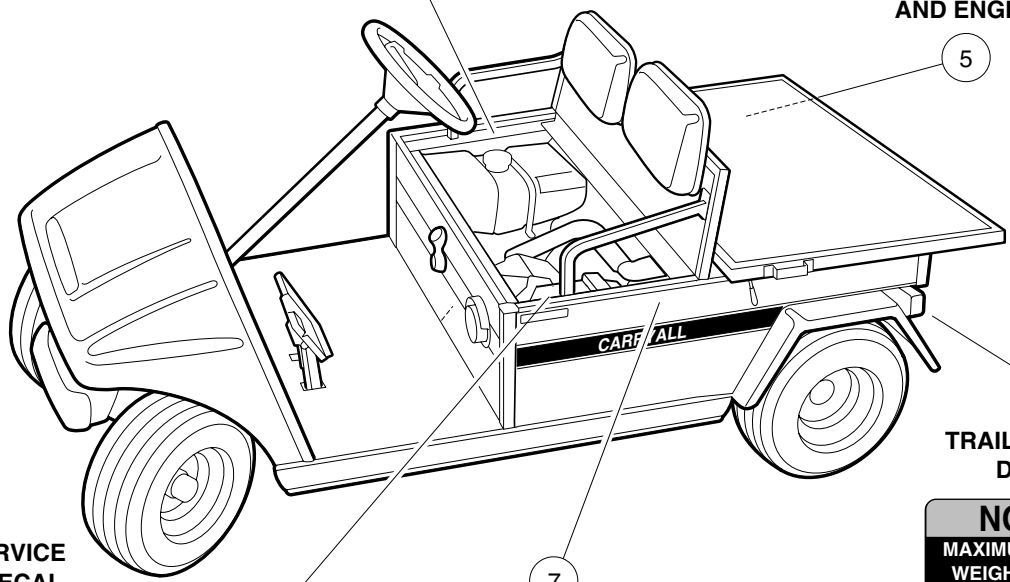
(CARRYALL I ONLY)

HOT MANIFOLD AND MUFFLER DECAL



(ON STARTER/GENERATOR AND ENGINE)

GASOLINE DANGER DECAL



GASOLINE VEHICLE

TRAILER HITCH DECAL



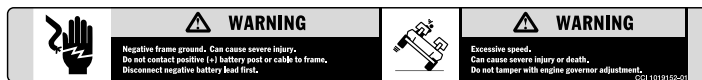
PERIODIC SERVICE SCHEDULE DECAL

Periodic Service Schedule	
Service	Regular Interval
1. Check Engine Oil Level	Monthly
2. Change Engine Oil and Filter	First 100 Hours - * Then One Year or 200 hours,
3. Check and Clean Air Filter Element*	One Year Under Normal Use Six Months Under Dusty Conditions
4. Change Air Filter†	* Two Years or 300 Hours
5. Check Tire Pressure	Monthly (See Manual)
6. Replace Fuel Filters	* Two Years or 300 Hours
7. Check / Fill Transaxle	* One Year or 150 Hours

* Whichever comes first
 † For easy access to air filter housing, remove the intake hose from the front of the housing.

(ON INTAKE BOX)

FRAME GROUND WARNING DECAL



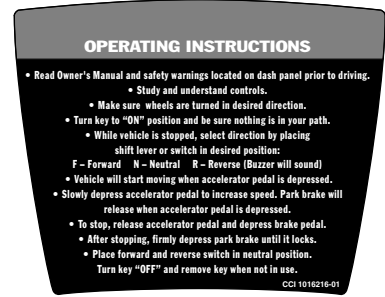
(ON FRAME)

SAFETY DECALS— CARRYALL I, II, TURF II, AND II PLUS

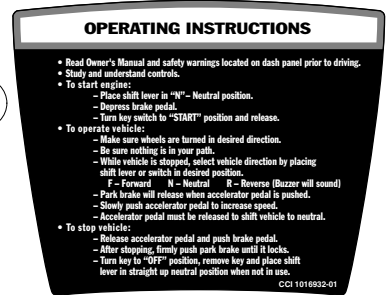
ITEM	PART NO.	DESCRIPTION	QTY GAS	QTY ELEC
		1 2 3 4		
1	1013677	DECAL, BATTERY DANGER/POISON		1
2	1019219-01	DECAL, INGERSOLL-RAND	2	2
3	1016109-01	DECAL, POTENTIOMETER CAUTION (CARRYALL I ONLY)		1
4	1015476-01	DECAL, GASOLINE DANGER	1	
5	1019605-01	DECAL, HOT MANIFOLD AND MUFFLER	2	
6	1011553	DECAL, TRAILER HITCH (CARRYALL II, TURF II AND II PLUS)	1	1
7	1019152-01	DECAL, FRAME GROUND	1	
8	1019443-01	DECAL, PERIODIC SERVICE SCHEDULE	1	



OPERATING INSTRUCTIONS DECAL



ELECTRIC VEHICLE



GASOLINE VEHICLE

KEY SWITCH DECAL



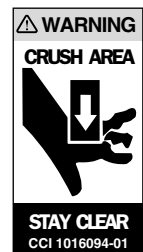
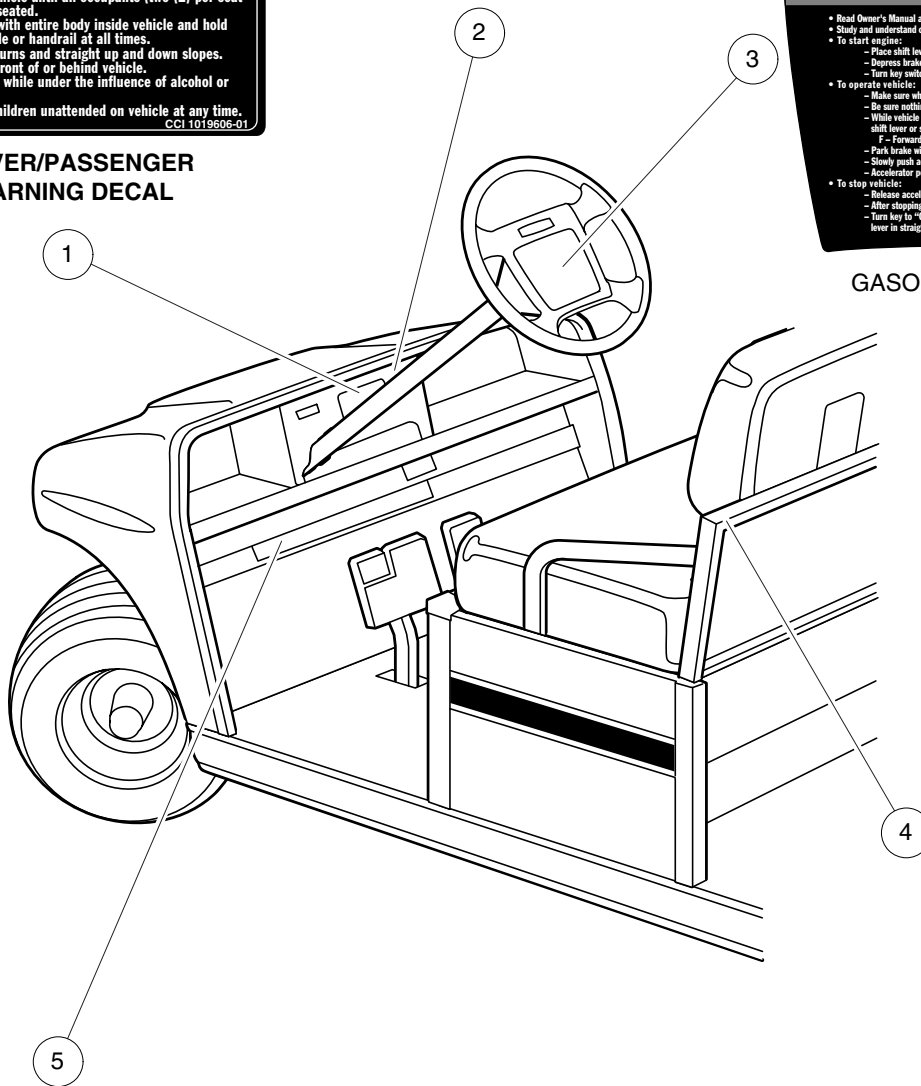
GASOLINE VEHICLE



ELECTRIC VEHICLE



DRIVER/PASSENGER WARNING DECAL



CRUSH AREA DECAL

VEHICLE LOADING DECAL

<p>VEHICLE LOADING</p> <p>Read Owner's Manual and warnings on dash.</p>	<ul style="list-style-type: none"> • Vehicle rated capacity - 1500 lbs. on level surface only. Weight to include passengers, cargo bed load, and gross trailer weight. See Owner's Manual. • Maximum cargo load - 1000 lbs. Weight to include cargo bed load (500 lbs. MAX) and gross trailer weight. • Maximum trailer hitch tongue weight - 150 lbs. 	<ul style="list-style-type: none"> • Cargo should be evenly spread over the floor of the cargo bed as far forward as possible and secured. • For vehicle stability, when fully loaded, drive slowly and avoid stopping on or backing down steep hills. • Avoid top heavy loads. See Owner's Manual. • When driving on uneven terrain or down steep hills, reduce speed and load. <p>CCI 1019600-01</p>
--	---	--

SAFETY DECALS— CARRYALL VI

ITEM	PART NO.	DESCRIPTION	QTY GAS	QTY ELEC
		1 2 3 4		
1	1019606-01	DECAL, DRIVER/PASSENGER WARNING	1	1
2	1018251-01	DECAL, KEY SWITCH		1
2	1018251-02	DECAL, KEY SWITCH	1	
3	1016216-01	DECAL, OPERATING INSTRUCTIONS		1
3	1016932-01	DECAL, OPERATING INSTRUCTIONS	1	
4	1016094-01	DECAL, CRUSH AREA	2	2
5	1019600-01	DECAL, VEHICLE LOADING	1	1

4
G
E

NOTICE
Do not operate vehicle without this cover properly installed.
See vehicle Maintenance and Service Manual before servicing.
CCI 1019515-01

**ELECTRICAL COMPONENT
COVER CAUTION DECAL
(ON COVER)**

DANGER / POISON

EXPLOSION
GASOLINE
DANGER OF FIRE

NO
SPARKS
FLAMES
SMOKING

SULFURIC
ACID
SUN BURNS
BLINDNESS OR
SEVERE BURNS

FLUSH EYES
IMMEDIATELY
WITH WATER.
SEEK
MEDICAL
HELP
FAST

KEEP OUT OF THE REACH OF CHILDREN - DO NOT TIP - KEEP VENT CAPS TIGHT AND LEVEL

**BATTERY DANGER DECAL
(ON FRAME)**

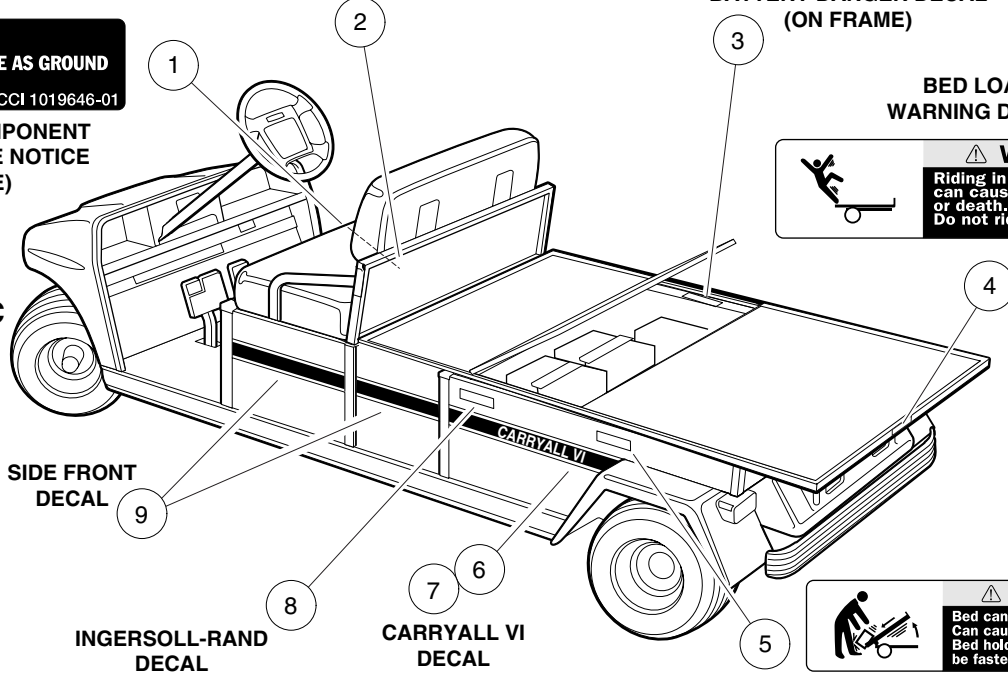
NOTICE DO NOT USE AS GROUND
CCI 1019646-01

**ELECTRICAL COMPONENT
MOUNTING PLATE NOTICE
(ON PLATE)**

**BED LOAD
WARNING DECAL**

WARNING
Riding in cargo bed
can cause severe injury
or death.
Do not ride in cargo bed.
CCI 1015539-01

**ELECTRIC
VEHICLE**



WARNING
Bed can tip up unexpectedly.
Can cause severe injury.
Bed hold down bolts must
be fastened.
CCI 1017078-01

**BED BOLT
WARNING DECAL**

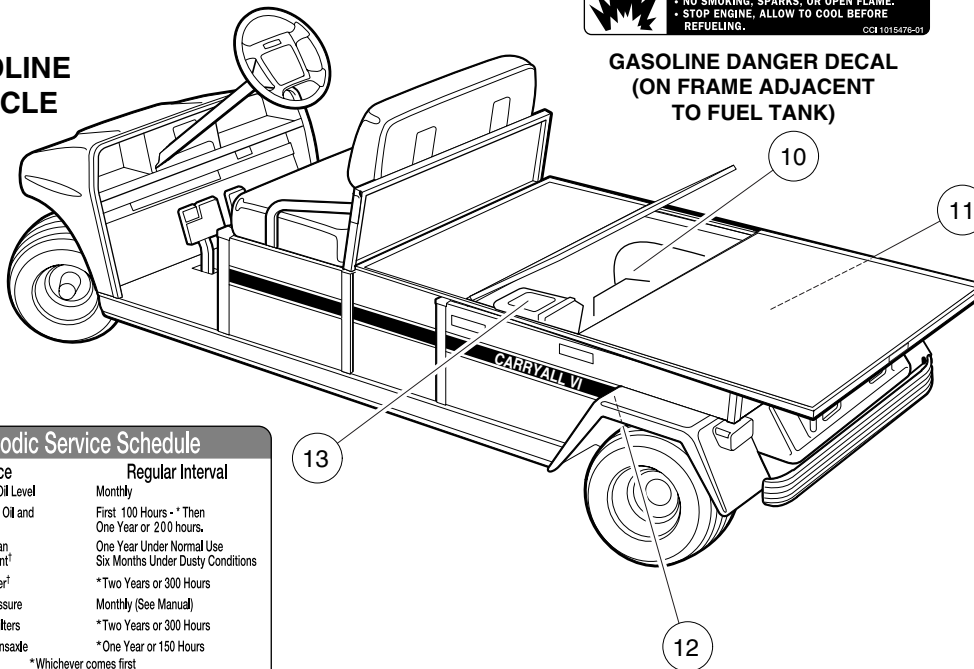
WARNING

- GASOLINE EXPLOSION / FIRE.
- CAN CAUSE SEVERE INJURY OR DEATH.
- NO SMOKING, SPARKS, OR OPEN FLAME.
- STOP ENGINE, ALLOW TO COOL BEFORE REFUELING.

CCI 1015476-01

**GASOLINE DANGER DECAL
(ON FRAME ADJACENT
TO FUEL TANK)**

**GASOLINE
VEHICLE**



**HOT MANIFOLD AND
MUFFLER DECAL**

WARNING
CAN CAUSE SEVERE INJURY

Moving parts

HOT
manifold & muffler

KEEP CLEAR CCI 1019605-01

**(ON
STARTER/GENERATOR
AND ENGINE)**

Periodic Service Schedule

Service	Regular Interval
1. Check Engine Oil Level	Monthly
2. Change Engine Oil and Filter	First 100 Hours - * Then One Year or 200 hours.
3. Check and Clean Air Filter Element ¹	One Year Under Normal Use Six Months Under Dusty Conditions
4. Change Air Filter ¹	*Two Years or 300 Hours
5. Check Tire Pressure	Monthly (See Manual)
6. Replace Fuel Filters	*Two Years or 300 Hours
7. Check / Fill Transaxle	*One Year or 150 Hours

*Whichever comes first

¹For easy access to air filter housing, remove the intake hose from the front of the housing.

**PERIODIC SERVICE
SCHEDULE DECAL
(ON INTAKE BOX)**

FRAME GROUND WARNING DECAL

WARNING

Negative frame ground. Can cause severe injury. Do not contact positive (+) battery post or cable to frame. Disconnect negative battery lead first.

WARNING

Excessive speed. Can cause severe injury or death. Do not tamper with engine governor adjustment. CCI 1019153-01

(ON FRAME)

SAFETY DECALS— CARRYALL VI

ITEM	PART NO.	DESCRIPTION	QTY GAS	QTY ELEC
		1 2 3 4		
1	1019646-01	DECAL, NO GROUND		1
2	1019315-01	DECAL, COMPONENT COVER		1
3	1013677	DECAL, BATTERY DANGER/POISON		1
4	1015539-01	DECAL, BED LOAD	1	1
5	1017078-01	DECAL, BED BOLT	1	1
6	1016971-02	DECAL, CARRYALL VI (DRIVER SIDE)	1	1
7	1016971-01	DECAL, CARRYALL VI (PASSENGER SIDE)	1	1
8	1019219-01	DECAL, INGERSOLL-RAND	2	2
9	1016757	DECAL, SIDE PANEL	4	4
10	1015476-01	DECAL, GASOLINE DANGER	1	
11	1019605-01	DECAL, HOT MANIFOLD AND MUFFLER	2	
12	1019152-01	DECAL, FRAME GROUND WARNING	1	
13	1019443-01	DECAL, PERIODIC SERVICE SCHEDULE	1	

4
G
E

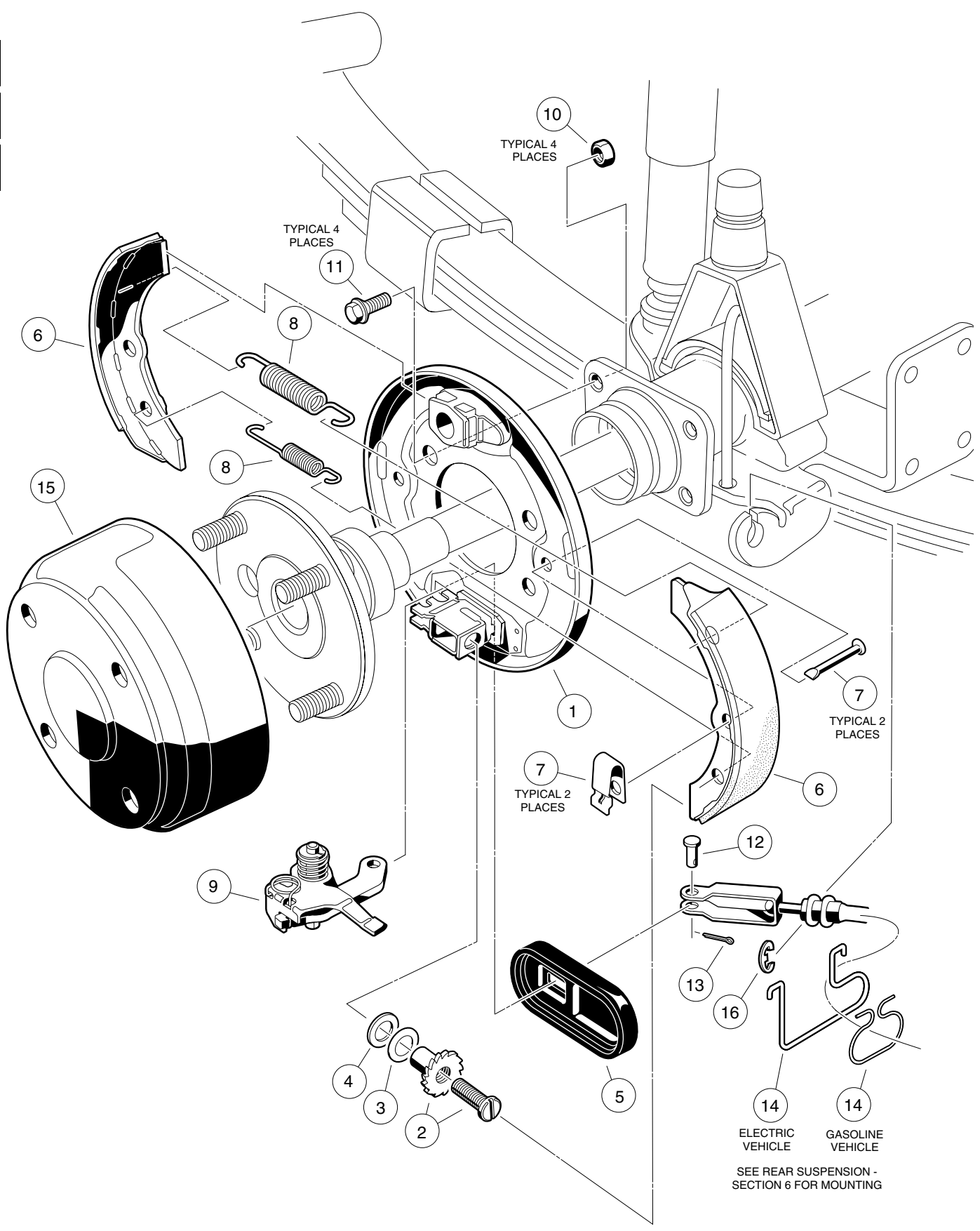
4
G
E

BRAKES, PEDAL, AND CABLE ASSEMBLIES

5

G

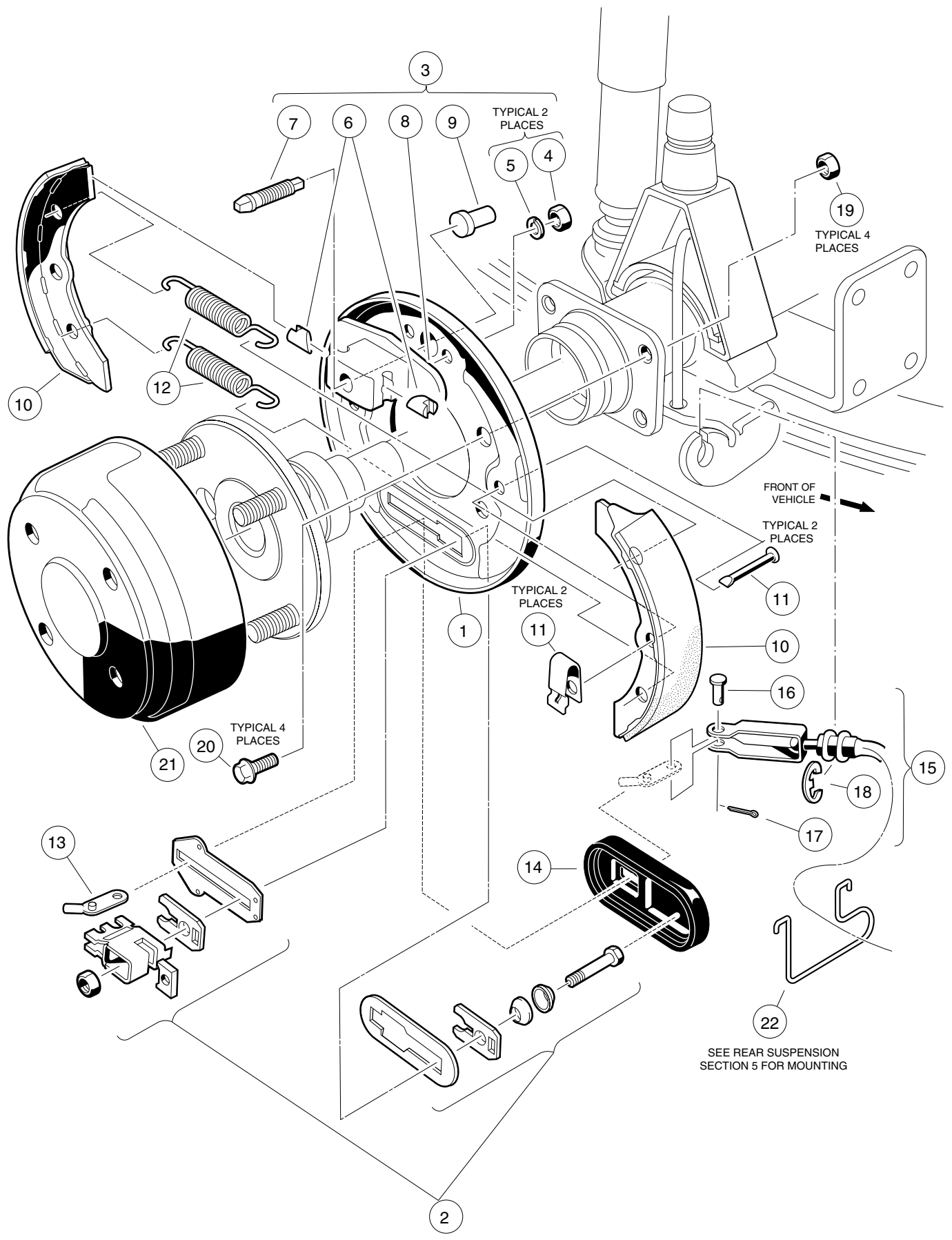
E



REAR BRAKE ASSEMBLY, SELF-ADJUSTING— CARRYALL I

ITEM	PART NO.	DESCRIPTION	QTY GAS	QTY ELEC
		1 2 3 4		
	1018233-01	CLUSTER, PASSENGER SIDE BRAKE (INCLUDES ITEMS 1 - 9)	1	1
	1018233-02	CLUSTER, DRIVER SIDE BRAKE (INCLUDES ITEMS 1 - 9)	1	1
1	1018240-01	ASSEMBLY, BACKING PLATE, PASSENGER SIDE (INCLUDES ITEMS 2, 3 AND 4)	1	1
1	1018240-02	ASSEMBLY, BACKING PLATE, DRIVER SIDE (INCLUDES ITEMS 2, 3 AND 4) ..	1	1
2	1018165-01	MECHANISM, ADJUSTING, PASSENGER SIDE	1	1
2	1018165-02	MECHANISM, ADJUSTING, DRIVER SIDE	1	1
3	1018239-01	WASHER	1	1
4	1018238-01	WASHER, PLATE	1	1
5	1010850	COVER, DUST	1	1
6	1018232-01	PACKAGE, BRAKE SHOE (FOUR PIECES)	1	1
7	1011466	KIT, SHOE RETAINER (FOUR PIECES)	1	1
8	1018163-01	PACKAGE, BRAKE SPRING (FOUR PIECES)	1	1
9	1018155-01	ASSEMBLY, LEVER, PASSENGER SIDE	1	1
9	1018155-02	ASSEMBLY, LEVER, DRIVER SIDE	1	1
10	1013924	NUT, HEX HEAD LOCK, GRADE 8, 5/16 - 24	8	8
11	1014153	BOLT, BRAKE CLUSTER MOUNTING	8	8
12	1010829	PIN, CLEVIS, 5/16	2	2
13	0001035	PIN, COTTER, 3/32 x 1	2	2
14	1019008-01	HANGER, BRAKE CABLE (GASOLINE VEHICLE ONLY)	2	
14	1013207	HANGER, BRAKE CABLE (ELECTRIC VEHICLE ONLY)		2
15	1017911-01	DRUM, BRAKE	2	2
16	1011779	E-CLIP, 1/2	2	2

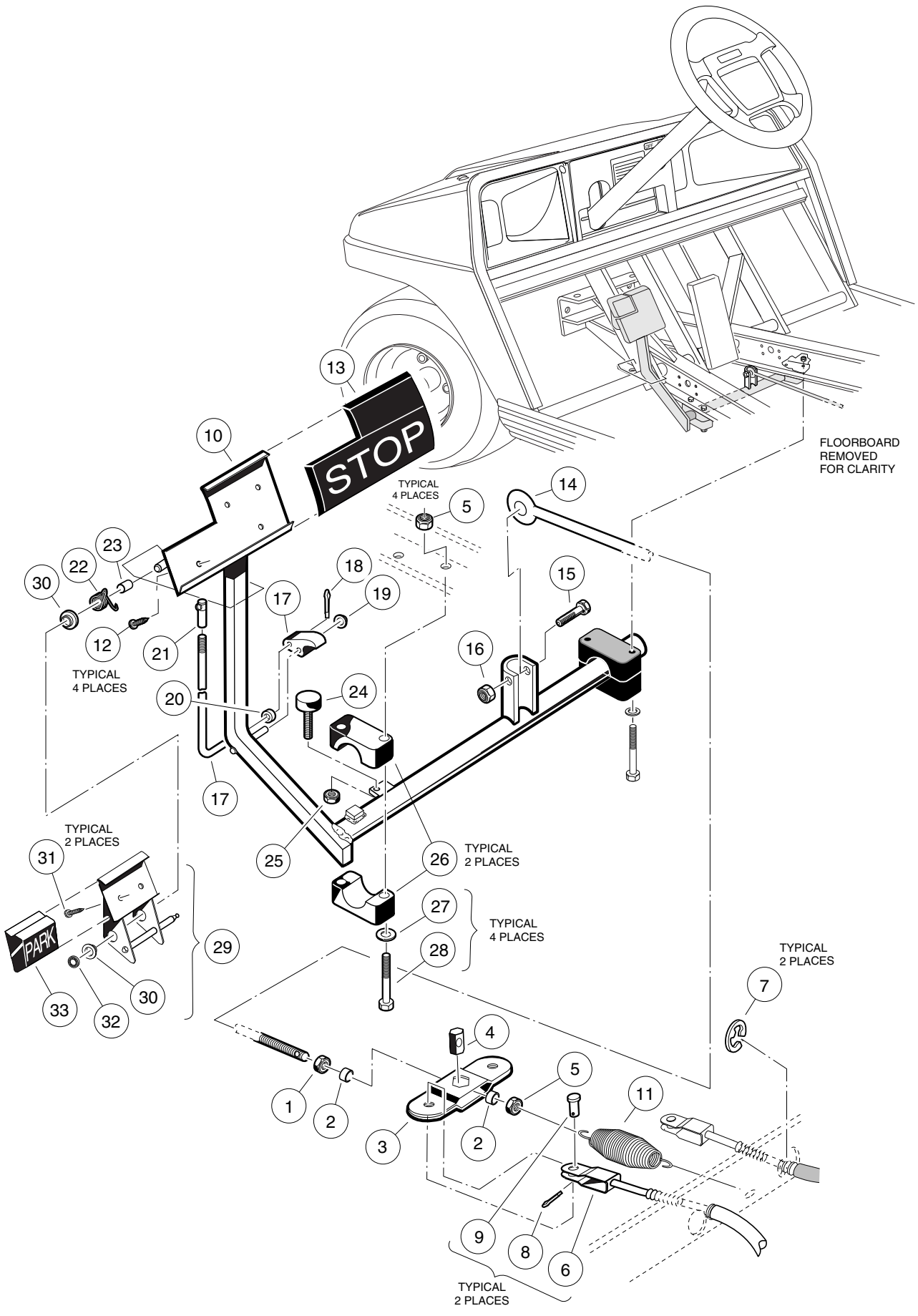
5
G
E



REAR BRAKE ASSEMBLY, MANUALLY ADJUSTED— CARRYALL II, TURF II, II PLUS AND VI

ITEM	PART NO.	DESCRIPTION	QTY GAS	QTY ELEC
		1 2 3 4		
	1016573	CLUSTER, PASSENGER SIDE BRAKE, WITHOUT BRAKE DRUM (INCLUDES ITEMS 1 - 14)	1	1
	1016557	CLUSTER, DRIVER SIDE BRAKE, WITHOUT BRAKE DRUM (INCLUDES ITEMS 1 - 14)	1	1
1	1011494	PLATE, BACKING, DRIVER SIDE	1	1
1	1011154	PLATE, BACKING, PASSENGER SIDE	1	1
2	1011465	KIT, BRAKE ACTUATOR	1	1
3	1011467	KIT, ANCHOR BODY (INCLUDES ITEMS 4 - 9)	1	1
4	1011114	NUT, M6 x 1	2	2
5	0000451	WASHER, LOCK, 1/4	2	2
6	N/A	PISTON, ANCHOR	2	2
7	N/A	BOLT, ADJUSTMENT	1	1
8	N/A	BODY, ANCHOR	1	1
9	1011303	CAP, ADJUSTMENT BOLT	1	1
10	1011463-02	PACKAGE, BRAKE SHOE (FOUR PIECES)	1	1
11	1011466	KIT, SHOE RETAINER (FOUR PIECES)	1	1
12	1011464	PACKAGE, BRAKE SPRING (FOUR PIECES)	1	1
13	N/A	ARM, BRAKE LEVER	1	1
14	1010850	COVER, DUST	1	1
15	1011403	KIT, EQUALIZER AND PIVOT LIMITER (INCLUDES ITEMS 16, 17 AND 18)	2	2
16	1010829	PIN, CLEVIS, 5/16	2	2
17	0001035	PIN, COTTER, 3/32 x 1	2	2
18	1011779	E-CLIP, 1/2	2	2
19	1013924	NUT, CONE LOCK, GRADE 8, 5/16 - 24	8	8
20	1014153	BOLT, BRAKE CLUSTER MOUNTING	8	8
21	1017911-01	DRUM, BRAKE	2	2
22	1013207	HANGER, BRAKE CABLE	2	2

5
G
E



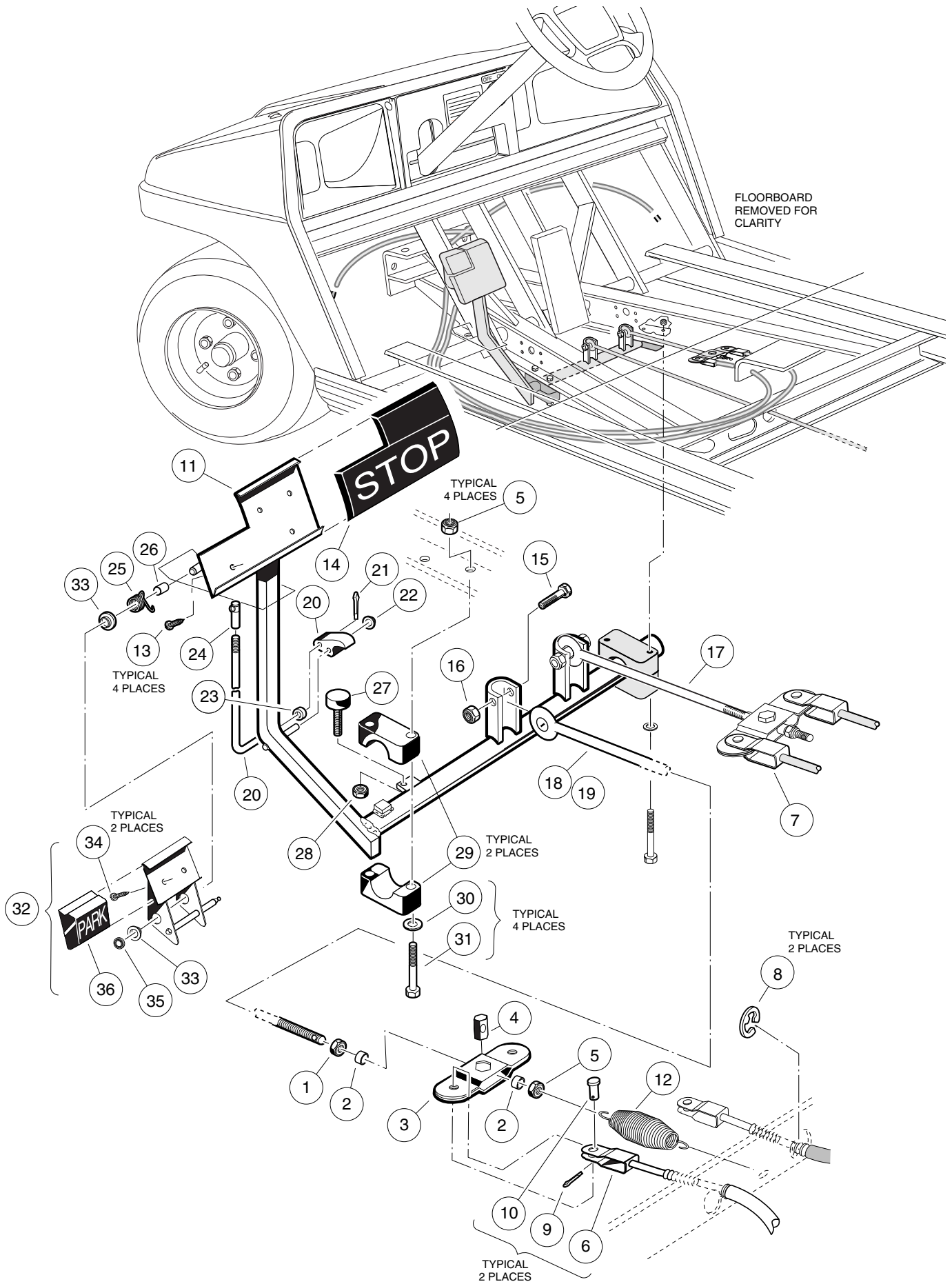
BRAKE PEDAL AND CABLE ASSEMBLY— VEHICLE WITH 2-WHEEL BRAKING

ITEM	PART NO.	DESCRIPTION	QTY GAS	QTY ELEC
		1 2 3 4		
1	0001242	NUT, HEX, 5/16 - 18	1	1
2	1018653-01	SPACER, EQUALIZER	2	2
3	1017211	KIT, EQUALIZER AND PIVOT LIMITER (INCLUDES ITEM 4)	1	1
4	N/A	PIN, EQUALIZER PIVOT	1	1
5	0007473	NUT, NYLON LOCK, 5/16 - 18	5	5
6	1011403	KIT, BRAKE CABLE, REAR (INCLUDES ITEMS 7 - 9)	2	2
7	1011779	E-CLIP, 1/2	2	2
8	0001035	PIN, COTTER, 3/32 x 1	2	2
9	1010829	PIN, CLEVIS, 5/16	2	2
10	1019540-01	KIT, BRAKE PEDAL (INCLUDES ITEMS 11 - 16, 19 AND 32)	1	1
11	1013531	SPRING, BRAKE RETURN	1	1
12	0007716	SCREW, SLOTTED HEX WASHER HEAD, #10 - 16 x 1/2	4	4
13	1013869	PAD, BRAKE PEDAL	1	1
14	1019531-01	ROD, EQUALIZER (CARRYALL I ONLY)	1	1
14	1019531-02	ROD, EQUALIZER (CARRYALL II ONLY)	1	1
15	1019530-01	BOLT, HEX HEAD SHOULDER, 3/8 x 1	1	1
16	0007473	NUT, NYLON LOCK, 5/16 - 18	1	1
	1011877-02	KIT, PARK BRAKE LATCH (INCLUDES ITEMS 17 - 21 AND ITEM 25 ON PAGE 5-13)	1	1
17	N/A	ROD AND PAWL	1	1
18	1017029	PIN, COTTER, 7/64 x 1/2	1	1
19	1010877	NUT, PUSH, 5/16	1	1
20	1010805	SLEEVE, PARK BRAKE ROD	1	1
21	1010932	JOINT, BALL, 1/4 - 28	1	1
22	1010933	SPRING, PARK BRAKE TORSION	1	1
23	1010927	SPACER, PARK BRAKE	1	1
24	1010878	BUMPER, RUBBER	1	1
25	0001028	NUT, HEX, 1/4 - 20	1	1
26	1011402	PACKAGE, BRAKE MOUNTING BLOCK (CONTAINS UPPER AND LOWER FOR LEFT AND RIGHT SIDES)	1	1
27	0001241	WASHER, FLAT, 5/16	4	4
28	1010921	SCREW, HEX HEAD CAP, 5/16 - 18 x 2 1/2	4	4
29	1011418	KIT, PARK BRAKE PEDAL (INCLUDES ITEMS 30 - 33)	1	1
30	0001032	BUSHING, NYLON	2	2
31	0007716	SCREW, SLOTTED HEX WASHER HEAD, #10 -16 x 1/2	2	2
32	1013876	NUT, PUSH, 3/8	1	1
33	1013870	PAD, PARK BRAKE	1	1

5
G
E

5
G
E

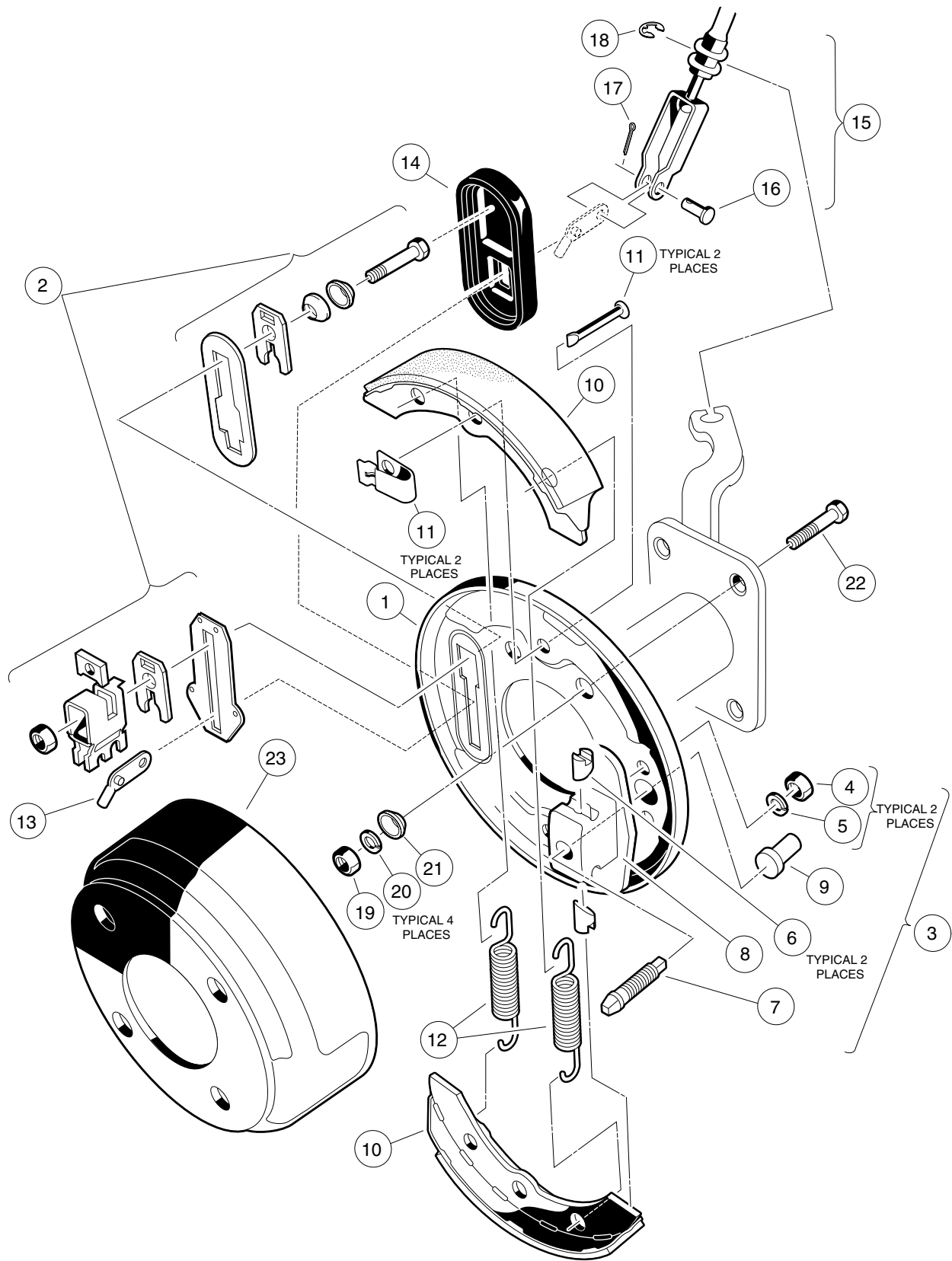
FLOORBOARD
REMOVED FOR
CLARITY



BRAKE PEDAL AND CABLE ASSEMBLY— VEHICLE WITH 4-WHEEL BRAKING

ITEM	PART NO.	DESCRIPTION	QTY GAS	QTY ELEC
		1 2 3 4		
1	0001242	NUT, HEX, 5/16 - 18	1	1
2	1018653-01	SPACER, EQUALIZER	2	2
3	1017211	KIT, EQUALIZER AND PIVOT LIMITER (INCLUDES ITEM 4)	1	1
4	N/A	PIN, EQUALIZER PIVOT	1	1
5	0007473	NUT, NYLON LOCK, 5/16 - 18	5	5
6	1011403	KIT, BRAKE CABLE, REAR (INCLUDES ITEMS 8 - 10)	2	2
7	1018746-01	KIT, BRAKE CABLE, FRONT (INCLUDES ITEMS 8 - 10)	2	2
8	1011779	E-CLIP, 1/2	2	2
9	0001035	PIN, COTTER, 3/32 x 1	2	2
10	1010829	PIN, CLEVIS, 5/16	2	2
11	1019540-01	KIT, BRAKE PEDAL (INCLUDES ITEMS 12 - 18, 22 AND 35)	1	1
12	1013531	SPRING, BRAKE RETURN	1	1
13	0007716	SCREW, SLOTTED HEX WASHER HEAD, #10 - 16 x 1/2	4	4
14	1013869	PAD, BRAKE PEDAL	1	1
15	1019530-01	BOLT, HEX HEAD SHOULDER, 3/8 x 1	2	2
16	0007473	NUT, NYLON LOCK, 5/16 - 18	2	2
17	1019531-01	ROD, EQUALIZER, FRONT	1	1
18	1019531-02	ROD, EQUALIZER, REAR (CARRYALL II AND II PLUS)	1	1
19	1019531-03	ROD, EQUALIZER, REAR (CARRYALL VI)	1	1
	1011877-02	KIT, PARK BRAKE LATCH (INCLUDES ITEMS 20 - 24 AND ITEM 25 ON PAGE 5-13)	1	1
20	N/A	ROD AND PAWL	1	1
21	1017029	PIN, COTTER, 7/64 x 1/2	1	1
22	1010877	NUT, PUSH, 5/16	1	1
23	1010805	SLEEVE, PARK BRAKE ROD	1	1
24	1010932	JOINT, BALL, 1/4 - 28	1	1
25	1010933	SPRING, PARK BRAKE TORSION	1	1
26	1010927	SPACER, PARK BRAKE	1	1
27	1010878	BUMPER, RUBBER	1	1
28	0001028	NUT, HEX, 1/4 - 20	1	1
29	1011402	PACKAGE, BRAKE MOUNTING BLOCK (CONTAINS UPPER AND LOWER FOR LEFT AND RIGHT SIDES)	1	1
30	0001241	WASHER, FLAT, 5/16	4	4
31	1010921	SCREW, HEX HEAD CAP, 5/16 - 18 x 2 1/2	4	4
32	1011418	KIT, PARK BRAKE PEDAL (INCLUDES ITEMS 33 - 36)	1	1
33	0001032	BUSHING, NYLON	2	2
34	0007716	SCREW, SLOTTED HEX WASHER HEAD, #10 - 16 x 1/2	2	2
35	1013876	NUT, PUSH, 3/8	1	1
36	1013870	PAD, PARK BRAKE	1	1

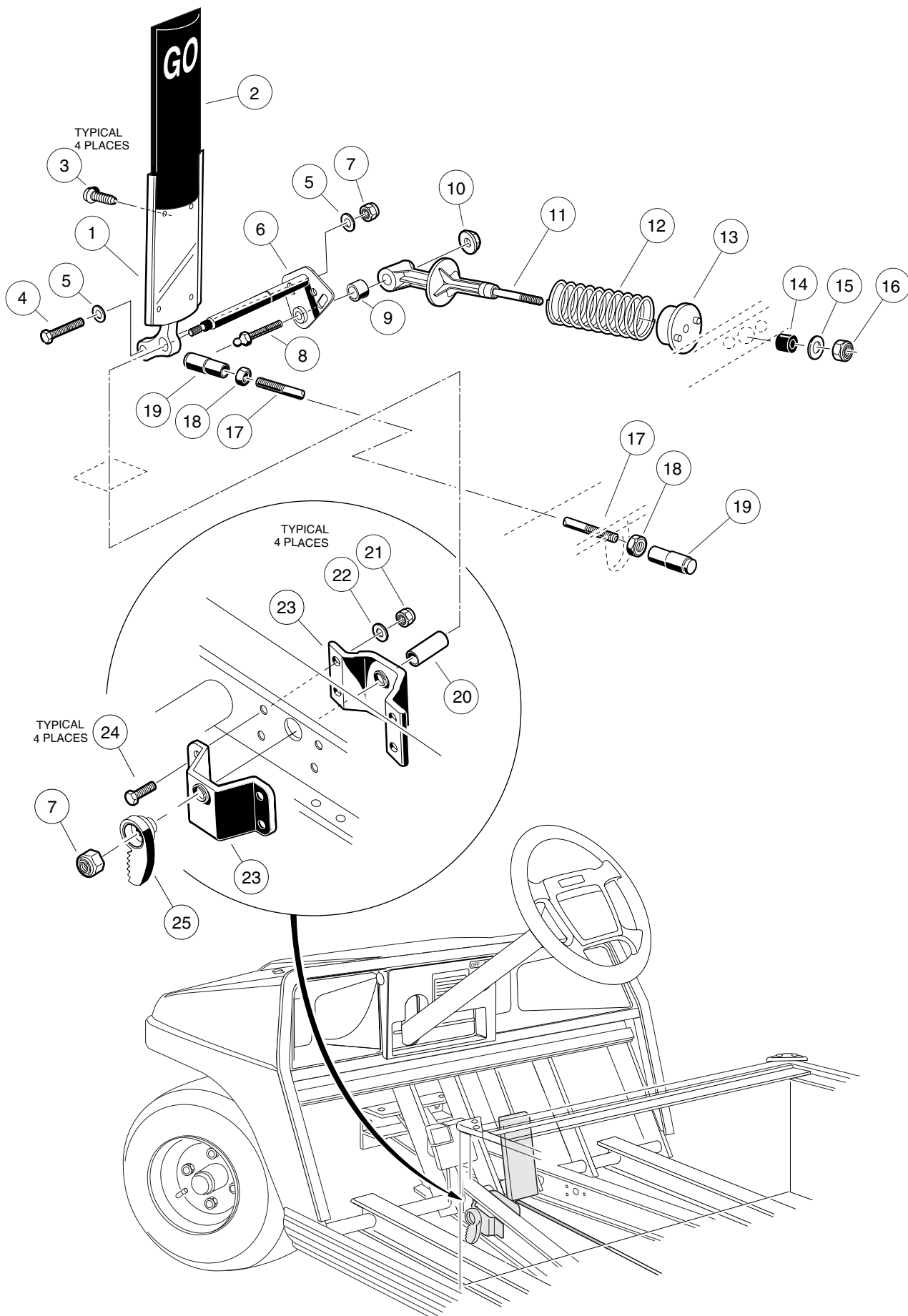
5
G
E



FRONT BRAKE ASSEMBLY— VEHICLE WITH 4-WHEEL BRAKING

ITEM	PART NO.	DESCRIPTION	QTY GAS	QTY ELEC
		1 2 3 4		
	1016573	CLUSTER, PASSENGER SIDE BRAKE, WITHOUT BRAKE DRUM (INCLUDES ITEMS 1 - 14)	1	1
	1016557	CLUSTER, DRIVER SIDE BRAKE, WITHOUT BRAKE DRUM (INCLUDES ITEMS 1 - 14)	1	1
1	1011154	PLATE, BACKING, PASSENGER SIDE	1	1
1	1011494	PLATE, BACKING, DRIVER SIDE	1	1
2	1011465	KIT, BRAKE ACTUATOR	1	1
3	1011467	KIT, ANCHOR BODY (INCLUDES ITEMS 4 - 9)	1	1
4	1011114	NUT, M6 x 1	2	2
5	0000451	WASHER, LOCK, 1/4	2	2
6	N/A	PISTON, ANCHOR	2	2
7	N/A	BOLT, ADJUSTMENT	1	1
8	N/A	BODY, ANCHOR	1	1
9	1011303	CAP, ADJUSTMENT BOLT	1	1
10	1011463-02	PACKAGE, BRAKE SHOE (FOUR PIECES)	1	1
11	1011466	KIT, SHOE RETAINER (FOUR PIECES)	1	1
12	1011464	PACKAGE, BRAKE SPRING (FOUR PIECES)	1	1
13	N/A	ARM, BRAKE LEVER	1	1
14	1010850	COVER, DUST	1	1
15	1018746-01	KIT, BRAKE CABLE, FRONT (INCLUDES ITEMS 16, 17 AND 18)	2	2
16	1010829	PIN, CLEVIS, 5/16	2	2
17	0001035	PIN, COTTER, 3/32 x 1	2	2
18	1011779	E-CLIP, 1/2	2	2
19	1018727-01	NUT, HEX, 5/16 - 24	8	8
20	0007174	WASHER, LOCK, 5/16 x 24	8	8
21	1018690-01	WASHER, CONE	8	8
22	1017232	BOLT, HEX HEAD, 5/16 - 24 x 1	8	8
23	1011137	DRUM, BRAKE	2	2

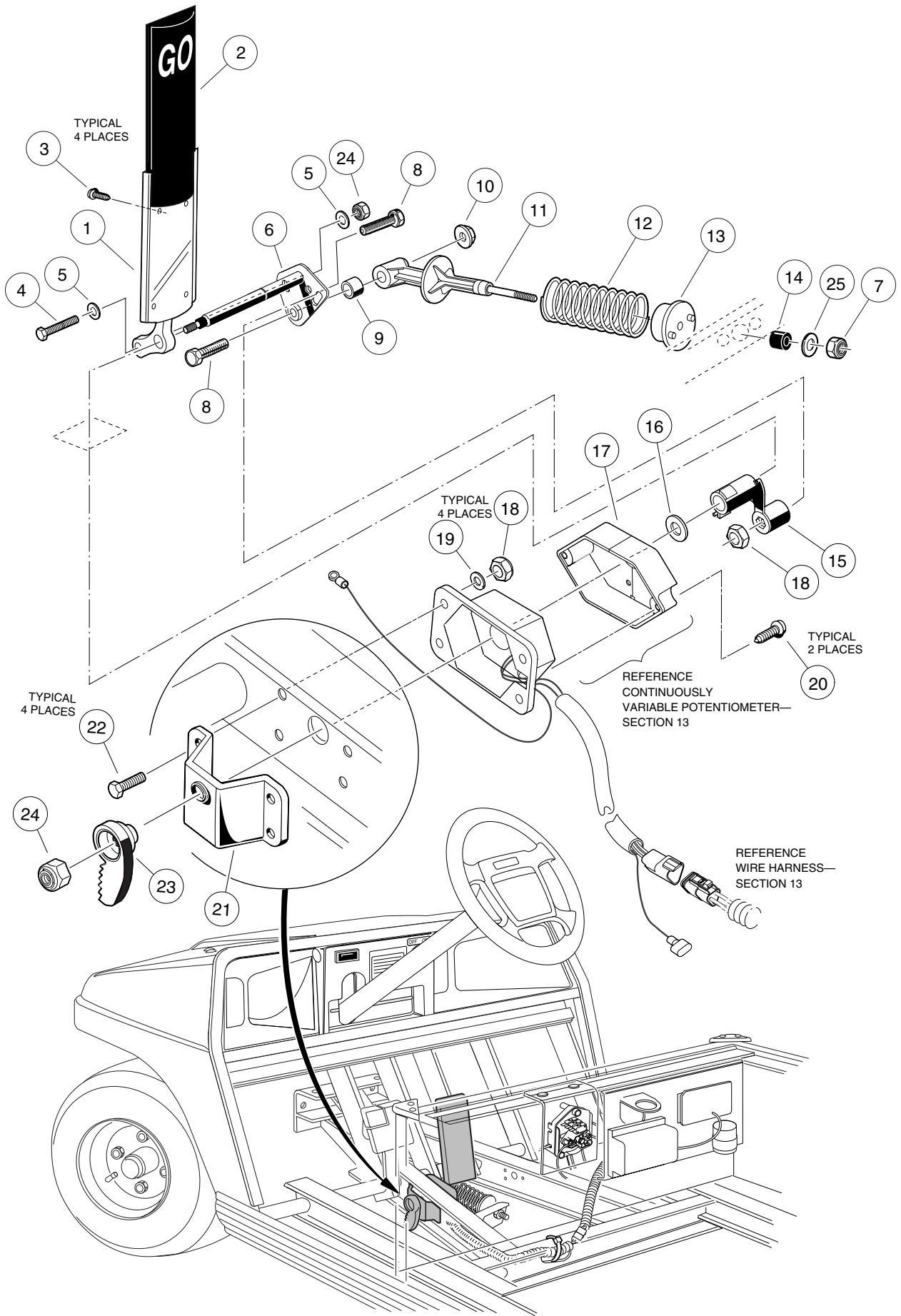
5
G
E



ACCELERATOR PEDAL ASSEMBLY— ELECTRIC CARRYALL I AND ALL GASOLINE VEHICLES

ITEM	PART NO.	DESCRIPTION	QTY GAS	QTY ELEC
		1 2 3 4		
1	1017696	SUB-ASSEMBLY, ACCELERATOR PEDAL (INCLUDES ITEMS 2 AND 3)	1	1
2	1013871	PAD, PEDAL	1	1
3	0007716	SCREW, SLOTTED HEX WASHER HEAD, #10 - 16 x 1/2	4	4
4	0001624	SCREW, HEX CAP, 3/8 - 16 x 1 1/2	1	1
5	0000334	WASHER, FLAT, 3/8	2	2
6	1017325	ASSEMBLY, ACCELERATOR PIVOT ROD	1	1
7	0008754	NUT, NYLON LOCK, 3/8 - 16	2	2
8	1018188-01	STUD, BALL	1	1
9	1017424	BEARING, PIVOT SUPPORT	1	1
10	1019669-01	NUT, FLANGE, 1/4 - 28	1	1
11	1018174-01	RETAINER, SPRING	1	1
12	1017962-01	SPRING, RETURN	1	1
13	1017378	CUP, SPRING	1	1
14	1017380	BUMPER, RETURN SPRING	1	1
15	0001241	WASHER, FLAT, 5/16	1	1
16	0007473	NUT, NYLON LOCK, 5/16 - 18	1	1
17	1018719-01	ASSEMBLY, ACCELERATOR ROD (ELECTRIC CARRYALL I ONLY) (INCLUDES ITEMS 18 AND 19)		1
17	1019124-01	ASSEMBLY, ACCELERATOR ROD (GASOLINE CARRYALL I ONLY) (INCLUDES ITEMS 18 AND 19)	1	
17	1018220-01	ASSEMBLY, ACCELERATOR ROD (GASOLINE CARRYALL II, TURF II AND II PLUS) (INCLUDES ITEMS 18 AND 19)	1	
17	1016747-02	ASSEMBLY, ACCELERATOR ROD (GASOLINE CARRYALL VI ONLY) (INCLUDES ITEMS 18 AND 19)	1	
18	1011084	NUT, UNF HEX JAM, 1/4 - 28	2	2
19	1011734	JOINT, SPRING-LOADED BALL	2	2
20	1011700	SPACER	1	1
21	0008233	NUT, NYLON LOCK, 1/4 - 20	4	4
22	1014007	WASHER, FLAT, TYPE B, 1/4	4	4
23	1011694	SUPPORT, ACCELERATOR PIVOT ROD	2	2
24	1018619-01	SCREW, HEX CAP, 1/4 - 20 x 1 1/8	4	4
	1011877-02	KIT, PARK BRAKE LATCH (INCLUDES ITEM 25 AND ITEMS 17 - 21 ON PAGE 5-7)	1	1
25	N/A	ASSEMBLY, RACHET	1	1

5
G
E



ACCELERATOR PEDAL ASSEMBLY— ELECTRIC CARRYALL II AND VI

ITEM	PART NO.	DESCRIPTION	QTY GAS	QTY ELEC
		1 2 3 4		
1	1017696	SUB-ASSEMBLY, ACCELERATOR PEDAL (INCLUDES ITEMS 2 AND 3)		1
2	1013871	PAD, PEDAL		1
3	0007716	SCREW, SLOTTED HEX WASHER HEAD, #10 - 16 x 1/2		4
4	0001624	SCREW, HEX CAP, 3/8 - 16 x 1 1/2		1
5	0000334	WASHER, FLAT, 3/8		2
6	1017325	ASSEMBLY, ACCELERATOR PIVOT ROD		1
7	0007473	NUT, NYLON LOCK, 5/16 - 18		1
8	1018620-01	SCREW, HEX HEAD CAP, 1/4 - 20 x 1 3/8		2
9	1017424	BEARING, PIVOT SUPPORT		1
10	1015661	NUT, FLANGE LOCK, 1/4 - 20		1
11	1018174-01	RETAINER, SPRING		1
12	1017962-01	SPRING, RETURN		1
13	1017378	CUP, SPRING		1
14	1017380	BUMPER, RETURN SPRING		1
15	1017400	LEVER, ACTUATOR		1
16	1018042-01	WASHER, PLASTIC, 1/2		1
17	1017743	COVER, ACCELERATOR		1
18	0008233	NUT, NYLON LOCK, 1/4 - 20		5
19	1014007	WASHER, FLAT, TYPE B, 1/4		4
20	1018043-01	SCREW, HI-LO HEX HEAD, #8 - 18 x 1/2		2
21	1011694	SUPPORT, ACCELERATOR PIVOT ROD		1
22	1018619-01	SCREW, HEX CAP, 1/4 - 20 x 1 1/8		4
	1011877-02	KIT, PARK BRAKE LATCH (INCLUDES ITEM 23 AND ITEMS 17 - 21 ON PAGE 5-7)		1
23	N/A	ASSEMBLY, RATCHET		1
24	0008754	NUT, NYLON LOCK, 3/8 x 16		2
25	0001241	WASHER, FLAT, 5/16		1

5
G
E

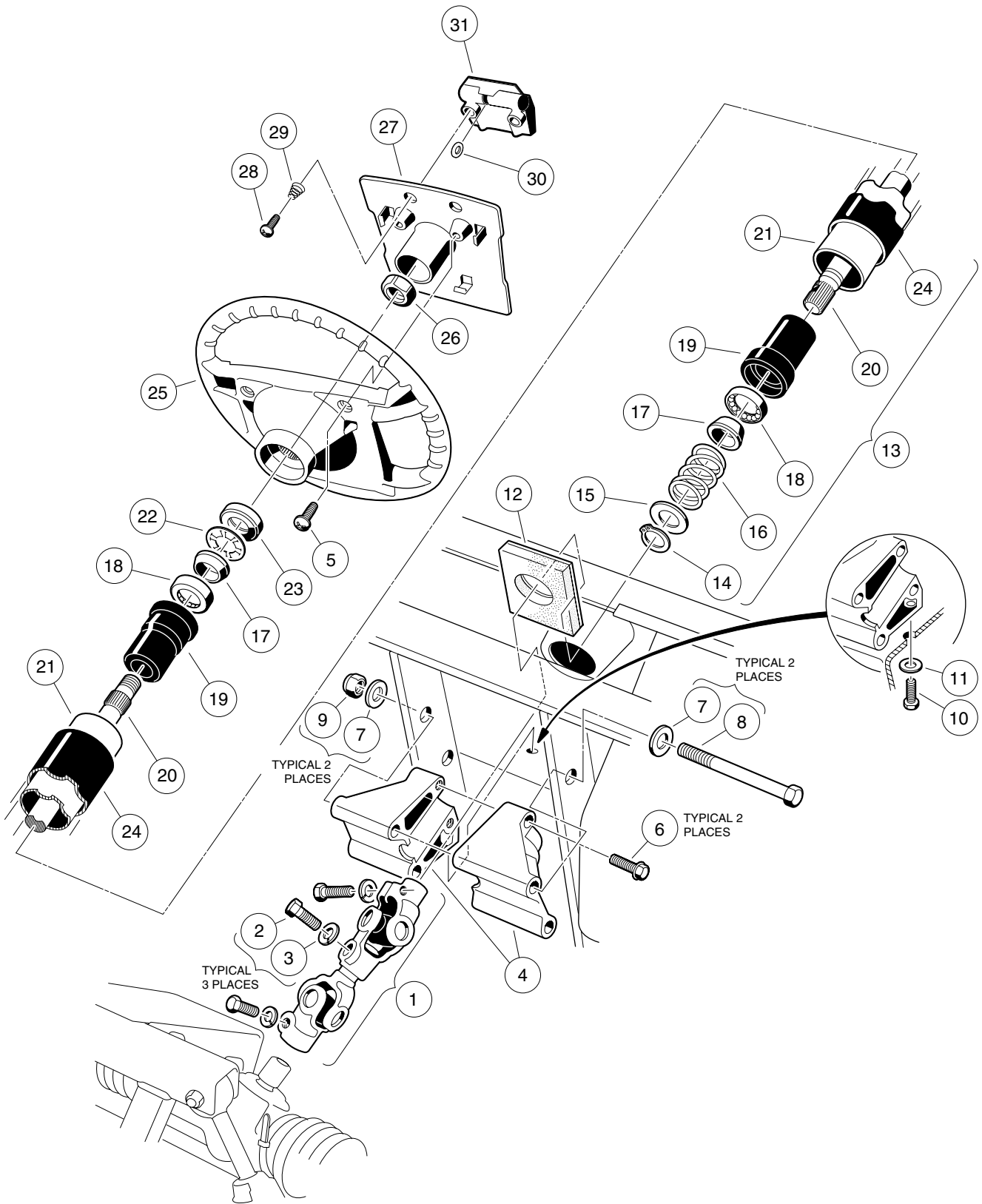
5
G
E

STEERING, FRONT AND REAR SUSPENSION

6

G

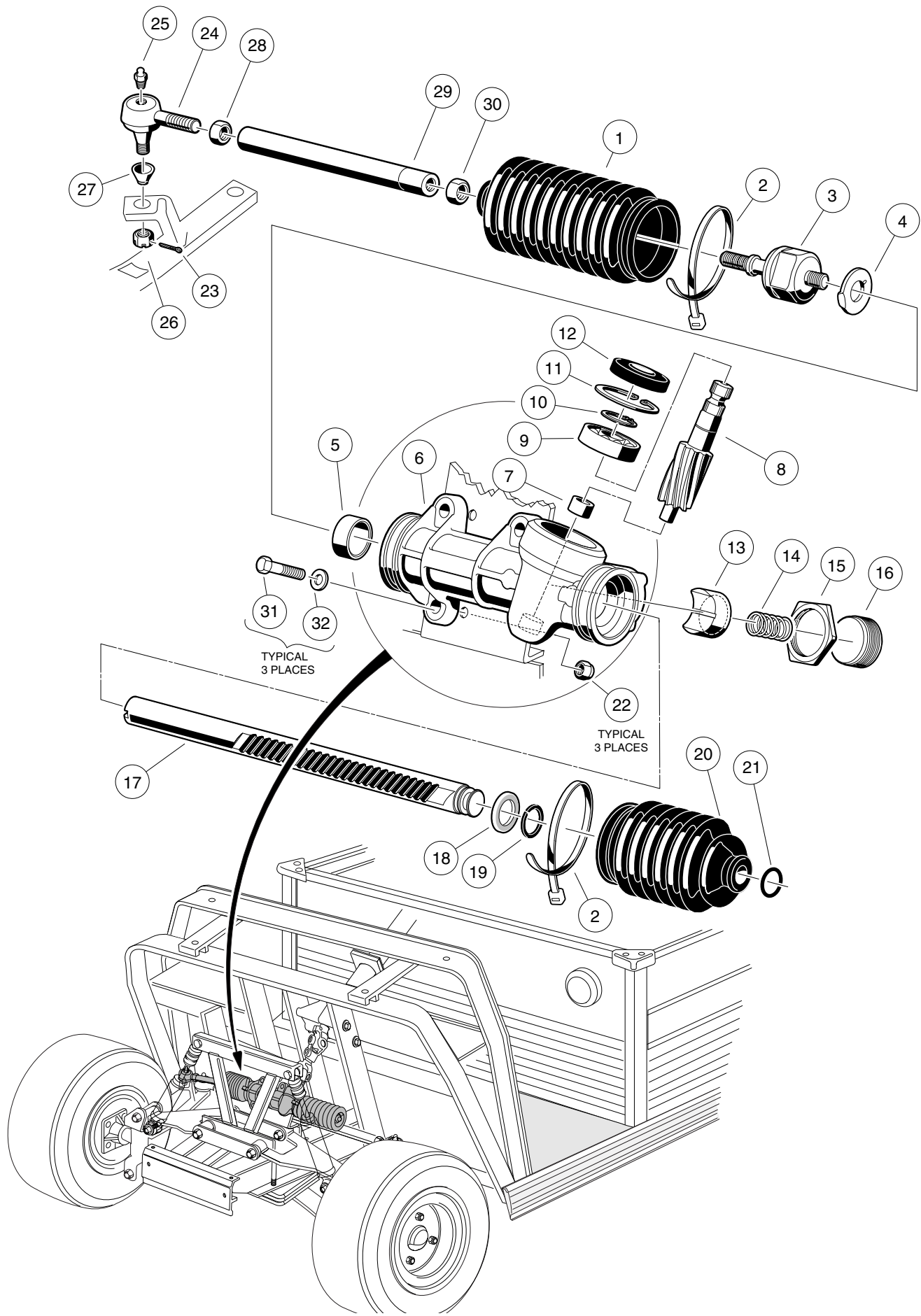
E



STEERING COLUMN

ITEM	PART NO.	DESCRIPTION	QTY GAS	QTY ELEC
		1 2 3 4		
1	1013861	JOINT, COMPOUND STEERING (INCLUDES ITEMS 2 AND 3)	1	1
2	1017226	SCREW, HEX HEAD CAP, M8 x 1.25 x 30MM	3	3
3	0007174	WASHER, LOCK, 5/16	3	3
4	1019848-01	KIT, STEERING COLUMN, MOUNTING BRACKET	1	1
5	1016663	SCREW, PHILLIPS, TYPE A, #12 - 11 x 5/8	2	2
6	1016269	SCREW, HEX WASHER HEAD THREAD FORMING, 5/16 - 18 x 2	2	2
7	0000334	WASHER, FLAT, 3/8	4	4
8	1016183	SCREW, HEX HEAD CAP, 3/8 - 16 x 7	2	2
9	0008754	NUT, NYLON LOCK, 3/8 - 16	2	2
10	1014288	SCREW, HEX WASHER HEAD THREAD FORMING, 5/16 - 18 x 3/4	1	1
11	1011697	WASHER, FLAT, 5/16	1	1
12	1012499	BOOT, STEERING COLUMN	1	1
13	1016181	ASSEMBLY, STEERING COLUMN (INCLUDES ITEMS 14 - 23)	1	1
14	1012605	RING, RETAINING	1	1
15	1012604	WASHER, STEEL, 5/8	1	1
16	1014217	SPRING, COMPRESSION	1	1
17	1014125	WEDGE	2	2
18	1014213	ASSEMBLY, BEARING	2	2
19	1014126	SEAT, BEARING	2	2
20	1015545	SHAFT, STEERING COLUMN	1	1
21	1016622	COLUMN, ALUMINUM STEERING	1	1
22	1014214	RING, RETAINING	1	1
23	1014211	SEAL, BEARING	1	1
24	1016263	COVER, STEERING COLUMN	1	1
25	1016156	WHEEL, STEERING	1	1
26	1017273	NUT, NYLON LOCK, 5/8 - 18	1	1
27	1016155-02	PLATE, SCORECARD (CARRYALL I, II, II PLUS AND VI).....	1	1
27	1016219	ASSEMBLY, SCORECARD PLATE (INCLUDES ITEMS 28 - 31) (CARRYALL TURF II ONLY)	1	1
28	1012565	SCREW, ROUND HEAD, #12 - 14 x 1	2	2
29	1012566	SPRING, TAPERED COMPRESSION	2	2
30	1016214	GRIP, PENCIL	2	2
31	1016154	CLIP, SCORE CARD	1	1

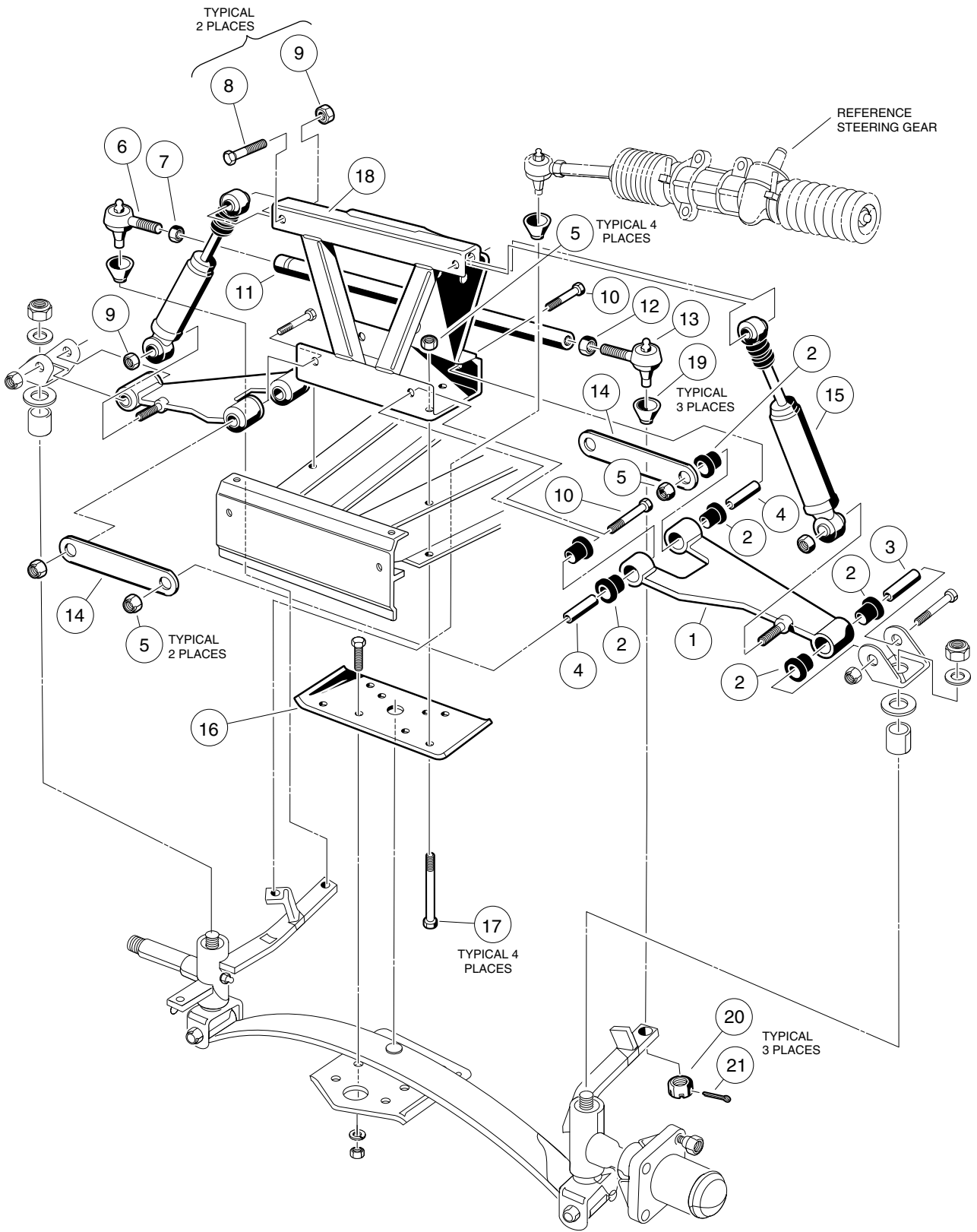
6
G
E



STEERING GEAR ASSEMBLY

ITEM	PART NO.	DESCRIPTION	QTY GAS	QTY ELEC
		1 2 3 4		
	1018783-02	ASSEMBLY, STEERING GEAR BOX (INCLUDES ITEMS 1 - 21)	1	1
1	1013035	SEAL, DUST, PASSENGER SIDE	1	1
2	0008990	WRAP, TIE	2	2
3	1018802-01	ASSEMBLY, INNER BALL JOINT	1	1
4	1018803-01	WASHER, TAB	1	1
5	N/A	BUSHING, RACK	1	1
6	N/A	BOX, STEERING GEAR	1	1
7	N/A	BEARING, LOWER PINION	1	1
8	N/A	PINION, STEERING	1	1
9	1018794-01	BEARING, UPPER PINION	1	1
10	1018799-01	RING, C-TYPE STOP	1	1
11	1013051	RING, SNAP	1	1
12	1013052	SEAL, DUST, STEERING PINION	1	1
13	1018797-01	GUIDE, STEERING RACK	1	1
14	1018798-01	SPRING, YOKE	1	1
15	1013044	NUT, LOCK, RACK SCREW	1	1
16	N/A	SCREW, RACK GUIDE	1	1
17	N/A	RACK, STEERING	1	1
18	1018795-01	WASHER, STOP	1	1
19	1018796-01	RING, C-TYPE STOP	1	1
20	1018800-01	SEAL, DUST, DRIVER SIDE	1	1
21	1018801-01	RING, RETAINING	1	1
22	8754	NUT, NYLON LOCK, 3/8 - 16	3	3
23	0001035	PIN, COTTER, 3/32 x 1	1	1
24	0007540	BALL JOINT, LEFT HAND THREAD (INCLUDES ITEMS 25, 26 AND 27)	1	1
25	1015597	FITTING, THREAD FORM GREASE, 1/4 - 28	1	1
26	0007602	NUT, HEX SLOTTED, 3/8 - 24	1	1
27	1011930	BOOT, DUST.....	1	1
28	0007555	NUT, HEX, LEFT HAND THREAD, 1/2 - 20	1	1
29	1012467	LINK, RACK AND PINION DRAG	1	1
30	1013042	NUT, HEX, M12 x 1.75	1	1
31	0001624	BOLT, HEX HEAD, 3/8 - 16 x 1 1/2	3	3
32	0000334	WASHER, FLAT, 3/8	3	3

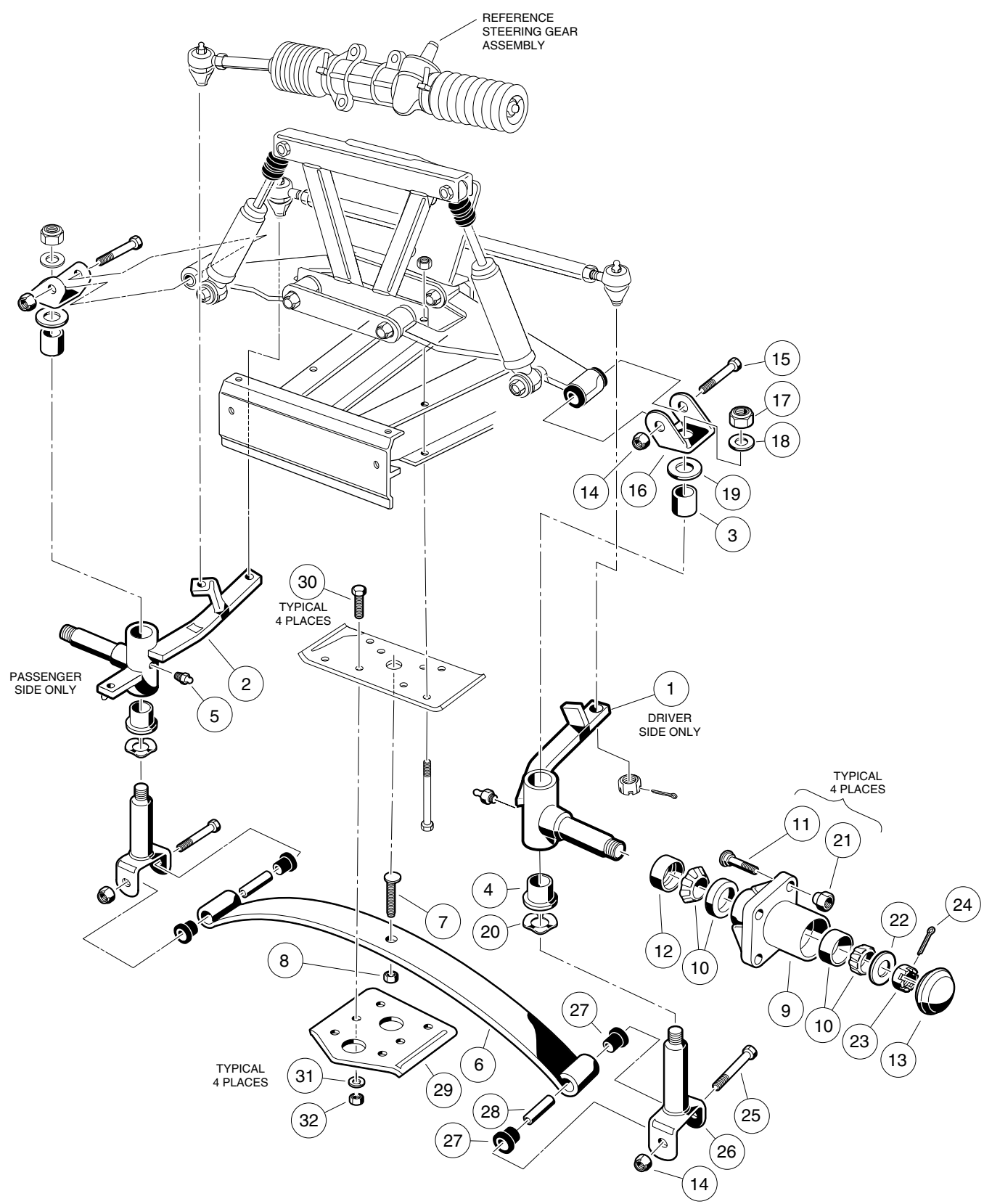
6
G
E



FRONT SUSPENSION, UPPER— VEHICLE WITH 2-WHEEL BRAKING

ITEM	PART NO.	DESCRIPTION	QTY GAS	QTY ELEC
		1 2 3 4		
1	1016353	ASSEMBLY, DELTA A-PLATE (INCLUDES ITEMS 2, 3 AND 4)	2	2
2	1016346	BUSHING, URETHANE	6	6
3	1016350	SLEEVE, DELTA OUTER	1	1
4	1016349	SLEEVE, DELTA INNER	2	2
5	0008754	NUT, NYLON LOCK, 3/8 - 16	8	8
6	0007539	BALL JOINT	1	1
7	0001308	NUT, HEX, 1/2 - 20	1	1
8	0001624	BOLT, HEX HEAD, 3/8 - 16 x 1 1/2	2	2
9	1010138	NUT, DIMPLED LOCK, 3/8 - 16	4	4
10	0002402	SCREW, HEX CAP, 3/8 - 16 x 2 1/4	4	4
11	1010219	ROD, TIE	1	1
12	0007555	NUT, HEX, LEFT HAND THREAD, 1/2 - 20	1	1
13	0007540	BALL JOINT, LEFT HAND THREAD	1	1
14	1017266	STRAP, A-PLATE	2	2
15	1014235	SHOCK ABSORBER, FRONT	2	2
16	1010124	PLATE, SPRING MOUNTING	1	1
17	1010200	BOLT, HEX HEAD, 3/8 - 16 x 4 1/4	4	4
18	1016385	ASSEMBLY, DELTA SHOCK AND GEAR SUPPORT	1	1
19	1011930	SEAL, DUST	3	3
20	0007602	NUT, SLOTTED HEX, 3/8 - 24	3	3
21	0001035	PIN, COTTER, 3/32 x 1	1	1

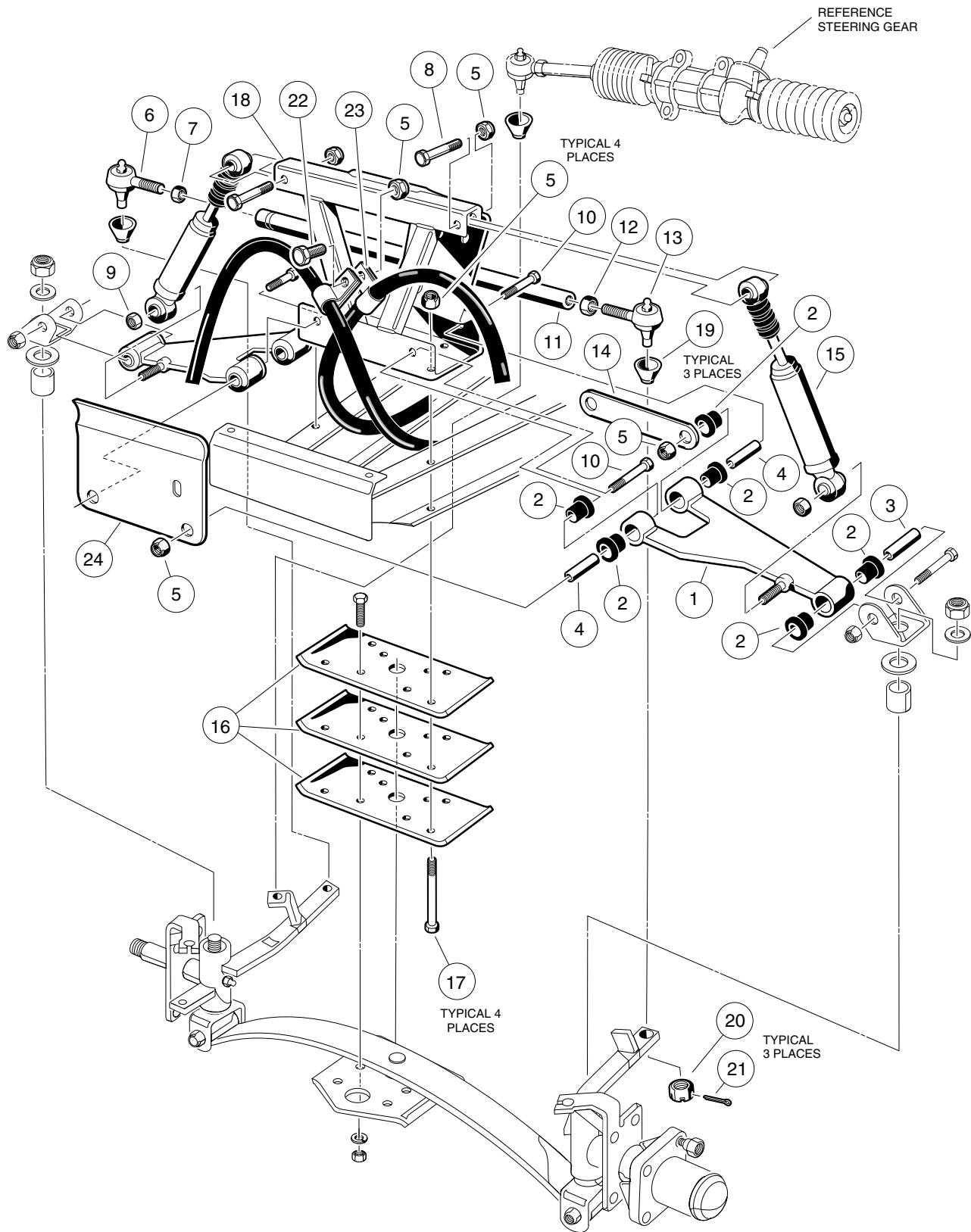
6
G
E



FRONT SUSPENSION, LOWER— VEHICLE WITH 2-WHEEL BRAKING

ITEM	PART NO.	DESCRIPTION	QTY GAS	QTY ELEC
		1 2 3 4		
1	1010348	ASSEMBLY, SPINDLE, DRIVER SIDE (INCLUDES ITEMS 3, 4 AND 5)	1	1
2	1010347	ASSEMBLY, SPINDLE, PASSENGER SIDE (INCLUDES ITEMS 3, 4 AND 5)	1	1
3	0008067	BUSHING, BRONZE SPINDLE	1	1
4	0007048	BUSHING, BRONZE	1	1
5	1015597	FITTING, GREASE, 1/4 - 28	1	1
6	1012030	SPRING, TAPERED LEAF		1
7	0008745	ECCENTRIC	1	1
8	0000706	NUT, HEX, 3/8 - 16	1	1
9	1011892	ASSEMBLY, HUB (INCLUDES ITEMS 10 - 13)	2	2
10	1011393	PACKAGE, HUB BEARING	2	2
11	1011304	STUD, LUG, 1/2 - 20	4	4
12	1013135	SEAL, DOUBLE LIP	1	1
13	1011887	COVER, DUST	1	1
14	0008754	NUT, NYLON LOCK, 3/8 - 16	4	4
15	1016387	SCREW, HEX HEAD CAP, 3/8 - 16 x 2 3/4	2	2
16	1016384	CLEVIS, UPPER DELTA	2	2
17	1019031-01	NUT, NYLON LOCK, 1/2 - 20	2	2
18	1010028	WASHER, FLAT, 1/2	2	2
19	1010150	BEARING, THRUST	2	2
20	1016389	WASHER, KINGPIN WAVE	2	2
21	1010984	NUT, LUG	8	8
22	1010005	WASHER, FLAT, 3/4	2	2
23	0007840	NUT, HEX SLOTTED, 3/4 - 16	2	2
24	0007910	PIN, COTTER, 5/32 x 1	2	2
25	0008755	SCREW, HEX HEAD CAP, 3/8 - 16 x 3 3/8	2	2
26	1016386	KINGPIN	2	2
27	1015583	BUSHING, URETHANE	4	4
28	1012303	BUSHING, STEEL	2	2
29	1014276	PLATE, FRONT SPRING RETAINER	1	1
30	0001624	SCREW, HEX HEAD CAP, 3/8 - 16 x 1 1/2	4	4
31	0000357	WASHER, LOCK, 3/8	4	4
32	0000706	NUT, HEX, 3/8 - 16	4	4

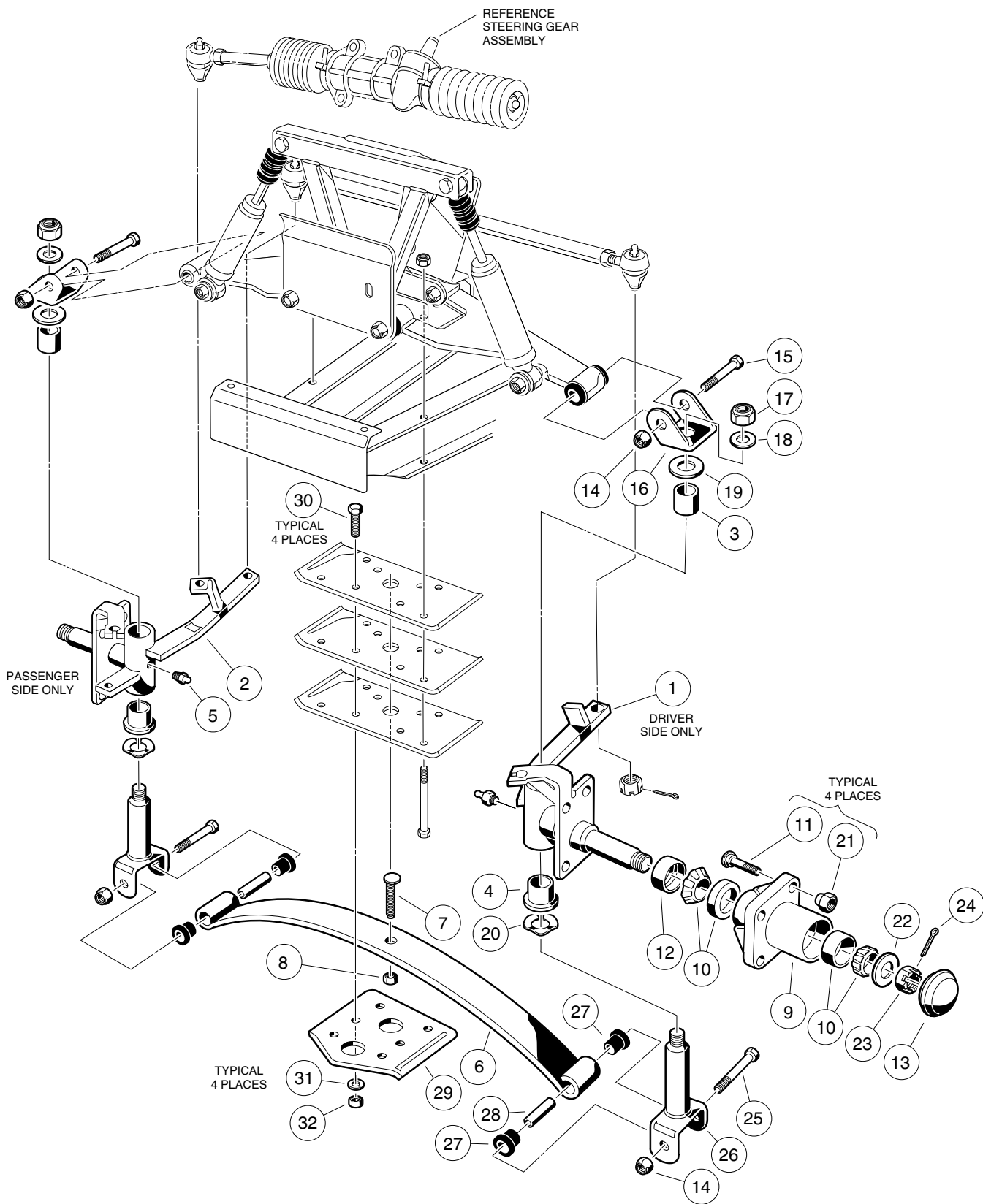
6
G
E



FRONT SUSPENSION, UPPER— VEHICLE WITH 4-WHEEL BRAKING

ITEM	PART NO.	DESCRIPTION	QTY GAS	QTY ELEC
		1 2 3 4		
1	1016353	ASSEMBLY, DELTA A-PLATE (INCLUDES ITEMS 2, 3 AND 4)	2	2
2	1016346	BUSHING, URETHANE	6	6
3	1016350	SLEEVE, DELTA OUTER	1	1
4	1016349	SLEEVE, DELTA INNER	2	2
5	0008754	NUT, NYLON LOCK, 3/8 - 16	11	11
6	0007539	BALL JOINT	1	1
7	0001308	NUT, HEX, 1/2 - 20	1	1
8	0008861	BOLT, HEX HEAD, 3/8 - 16 x 2 3/4	2	2
9	1010138	NUT, DIMPLED LOCK, 3/8 - 16	2	2
10	0002402	BOLT, HEX HEAD, 3/8 - 16 x 2 1/4	4	4
11	1010219	ROD, TIE	1	1
12	0007555	NUT, HEX, LEFT HAND THREAD, 1/2 - 20	1	1
13	0007540	BALL JOINT, LEFT HAND THREAD	1	1
14	1017266	STRAP, A-PLATE	1	1
15	1018706-01	SHOCK ABSORBER, FRONT	2	2
16	1010124	PLATE, SPRING MOUNTING	3	3
17	1018705-01	BOLT, HEX HEAD, 3/8 - 16 x 4 3/4	4	4
18	1016385	ASSEMBLY, DELTA SHOCK AND GEAR SUPPORT	1	1
19	1011930	SEAL, DUST	3	3
20	0007602	NUT, SLOTTED HEX, 3/8 - 24	3	3
21	0001035	PIN, COTTER, 3/32 x 1	1	1
22	0000320	BOLT, HEX HEAD, 3/8 - 16 x 1	1	1
23	1019353-01	CLAMP, BRAKE CABLE (PART OF BRAKE CABLE ASSEMBLY)	2	2
24	1019550-01	BRACKET, BRAKE CABLE GUIDE	1	1

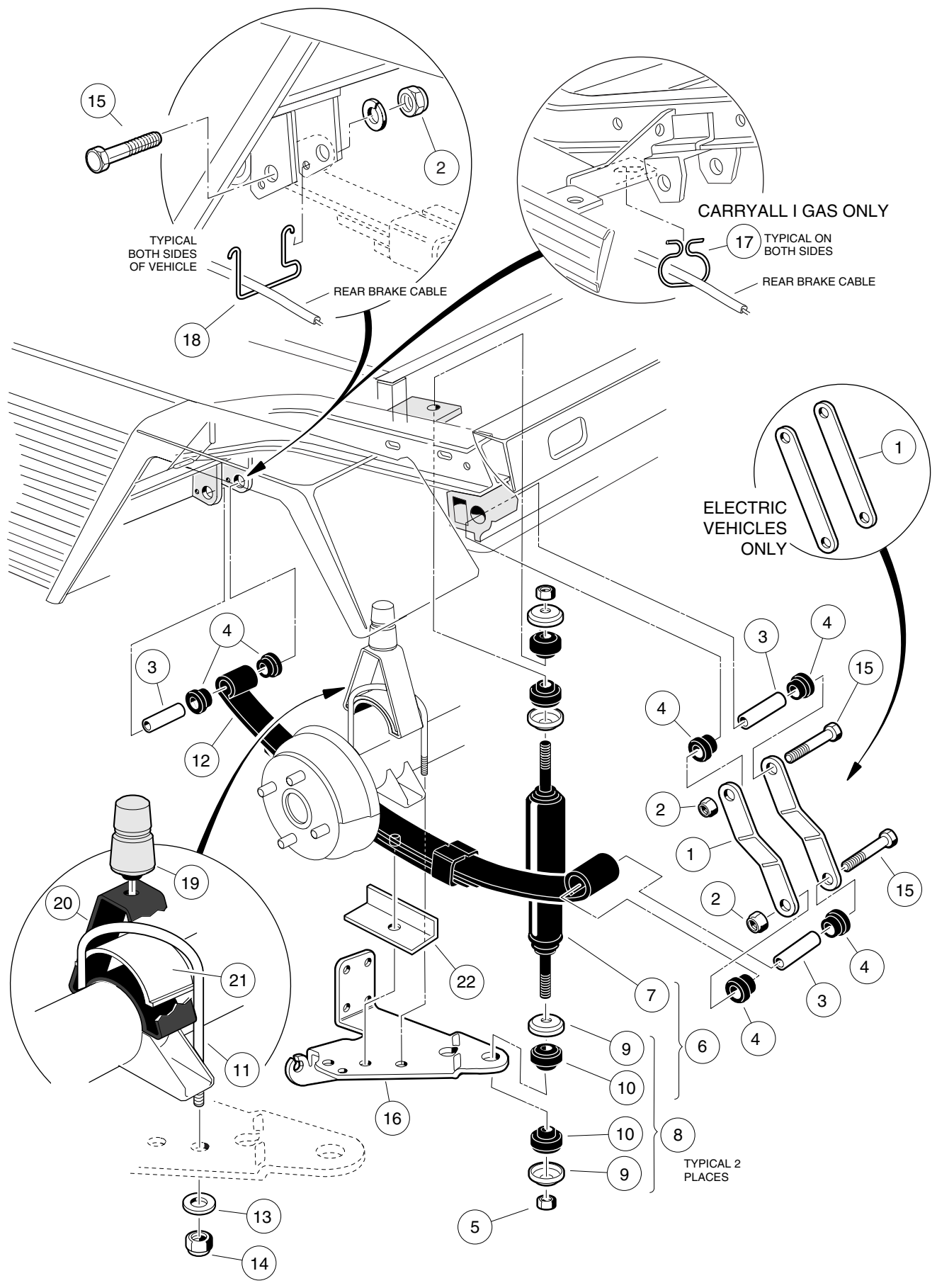
6
G
E



FRONT SUSPENSION, LOWER— VEHICLE WITH 4-WHEEL BRAKING

ITEM	PART NO.	DESCRIPTION	QTY GAS	QTY ELEC
		1 2 3 4		
1	1018769-01	ASSEMBLY, SPINDLE, DRIVER SIDE (INCLUDES ITEMS 3, 4 AND 5)	1	1
2	1018770-01	ASSEMBLY, SPINDLE, PASSENGER SIDE (INCLUDES ITEMS 3, 4 AND 5)	1	1
3	0008067	BUSHING, BRONZE SPINDLE	1	1
4	0007048	BUSHING, BRONZE	1	1
5	1015597	FITTING, GREASE, 1/4 - 28	1	1
6	1012030	SPRING, TAPERED LEAF	1	1
7	0008745	ASSEMBLY, ECCENTRIC	1	1
8	0000706	NUT, HEX, 3/8 - 16	1	1
9	1011892	ASSEMBLY, HUB (INCLUDES ITEMS 10 - 13)	2	2
10	1011393	PACKAGE, HUB BEARING	2	2
11	1011304	STUD, LUG, 1/2 - 20	4	4
12	1013135	SEAL, DOUBLE LIP	1	1
13	1011887	COVER, DUST	1	1
14	0008754	NUT, NYLON LOCK, 3/8 - 16	4	4
15	1016387	SCREW, HEX HEAD CAP, 3/8 - 16 x 2 3/4	2	2
16	1016384	CLEVIS, UPPER DELTA	2	2
17	1019031-01	NUT, NYLON LOCK, 1/2 - 20	2	2
18	1010028	WASHER, FLAT, 1/2	2	2
19	1010150	BEARING, THRUST	2	2
20	1016389	WASHER, KINGPIN WAVE	2	2
21	1010984	NUT, LUG	8	8
22	1010005	WASHER, FLAT, 3/4	2	2
23	0007840	NUT, HEX SLOTTED, 3/4 - 16	2	2
24	0007910	PIN, COTTER, 5/32 x 1	2	2
25	0008755	SCREW, HEX HEAD CAP, 3/8 - 16 x 3 3/8	2	2
26	1016386	KINGPIN	2	2
27	1015583	BUSHING, URETHANE	4	4
28	1012303	BUSHING, STEEL	2	2
29	1014276	PLATE, FRONT SPRING RETAINER	1	1
30	1010177	SCREW, HEX HEAD CAP, 3/8 - 16 x 2	4	4
31	0000357	WASHER, LOCK, 3/8	4	4
32	0000706	NUT, HEX, 3/8 - 16	4	4

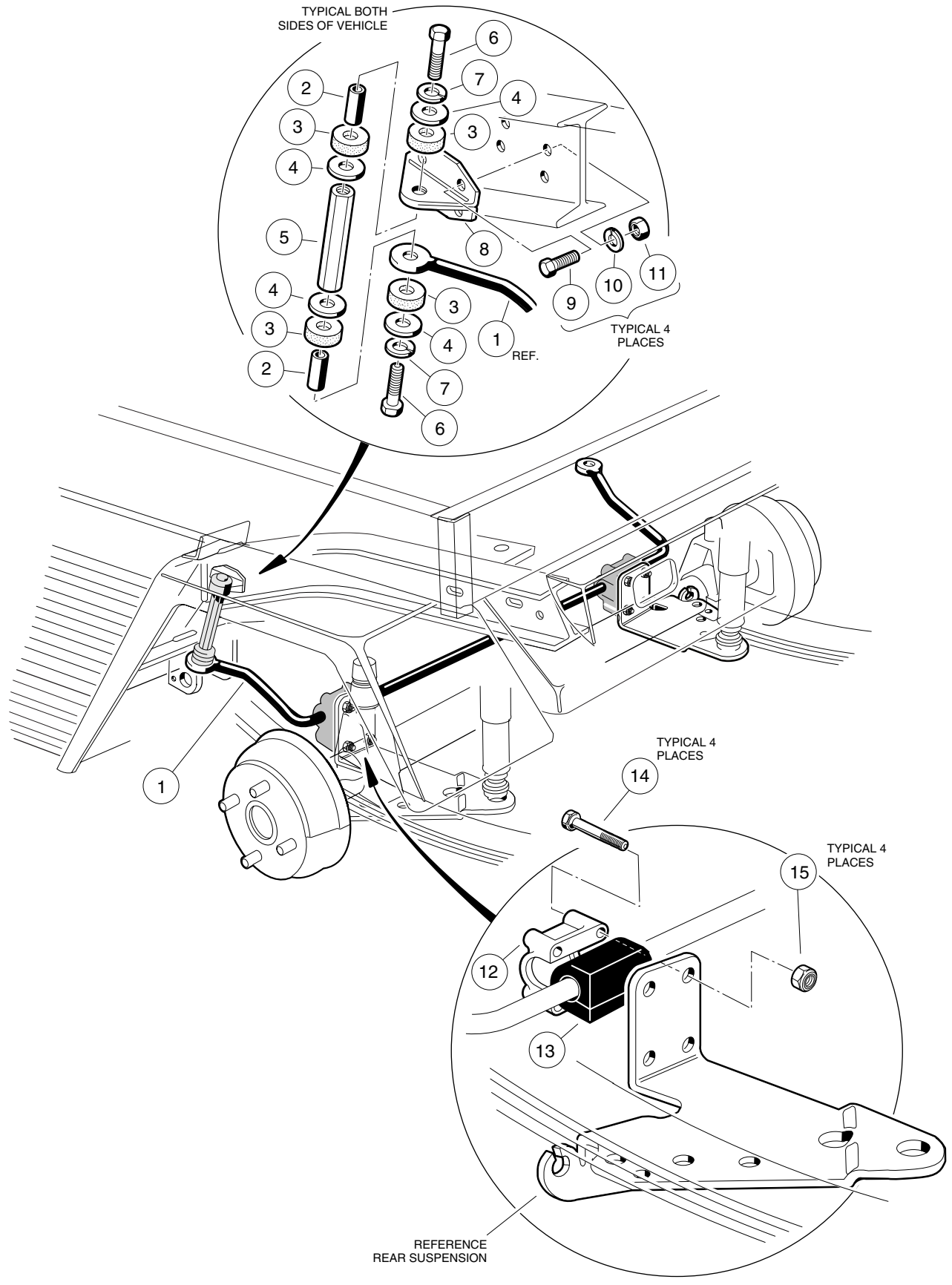
6
G
E



REAR SUSPENSION

ITEM	PART NO.	DESCRIPTION	QTY GAS	QTY ELEC
		1 2 3 4		
1	0007569	SHACKLE, REAR SPRING (ELECTRIC VEHICLE)		4
1	1012304	SHACKLE, REAR SPRING (GASOLINE VEHICLE)	4	
2	0008754	NUT, NYLON LOCK, 3/8 - 16	6	6
3	1012303	BUSHING, STEEL	4	4
4	1015583	BUSHING, URETHANE	12	12
5	1010145	NUT, UNF HEX, 3/8 - 24	4	4
6	1013164	KIT, SHOCK ABSORBER (INCLUDES ITEMS 7, 9 AND 10)	1	1
7	1014236	SHOCK ABSORBER, REAR	2	2
8	1011415	KIT, SHOCK ABSORBER CUSHION (INCLUDES 2 EACH OF ITEMS 9 AND 10) ...	4	4
9	N/A	RETAINER, SHOCK ABSORBER CUSHION	8	8
10	N/A	CUSHION, SHOCK ABSORBER	8	8
11	1014902	U-BOLT	2	2
12	1014675	SPRING, REAR LEAF	2	2
13	1014557	WASHER, FLAT, 7/16	4	4
14	1014555	NUT, NYLON LOCK, 7/16 - 24	4	4
15	0008755	SCREW, HEX HEAD CAP, 3/8 - 16 x 3 3/8	6	6
16	1019265-01	PAD, SPRING, DRIVER SIDE	1	1
16	1019294-01	PAD, SPRING, PASSENGER SIDE	1	1
17	1019008-01	HANGER, BRAKE CABLE (GASOLINE CARRYALL I ONLY)	2	
18	1013207	HANGER, BRAKE CABLE (ALL OTHER VEHICLES)	2	2
19	1017235	BUMPER, JOUNCE	2	2
20	1014546-02	MOUNT, BUMPER (GASOLINE VEHICLE ONLY)	2	
20	1014549-02	MOUNT, BUMPER (ELECTRIC VEHICLE ONLY)		2
21	1014901	SPACER, OVERLOAD BUMPER	2	2
22	1014573	RETAINER, SPRING	2	2

6
G
E



STABILIZER BAR—ELECTRIC CARRYALL II, GASOLINE CARRYALL II, TURF II, II PLUS, AND VI

ITEM	PART NO.	DESCRIPTION	QTY GAS	QTY ELEC
		1 2 3 4		
1	1015760	BAR, STABILIZER, 3/4 DIAMETER	1	1
2	1015457	SPACER	4	4
3	1015453	MOUNT, COMPRESSION	8	8
4	0000808	WASHER, FLAT, 3/8	8	8
5	1016814	LINK, STABILIZER BAR	2	2
6	0008861	SCREW, HEX HEAD CAP, 3/8 - 16 x 1 3/4	4	4
7	0000357	WASHER, LOCK, 3/8	4	4
8	1016813	BRACKET, STABILIZER BAR MOUNTING	2	2
9	0007173	SCREW, HEX HEAD CAP, 5/16 - 18 x 3/4	8	8
10	0007174	WASHER, LOCK, 5/16	8	8
11	0001242	NUT, HEX, 5/16 - 18	8	8
12	1015614	SUPPORT, STABILIZER BAR BUSHING	2	2
13	1015613	BUSHING, STABILIZER BAR	2	2
14	0007311	SCREW, HEX HEAD CAP, 1/4 - 20 x 2	8	8
15	0008233	NUT, NYLON LOCK, 1/4 - 20	8	8

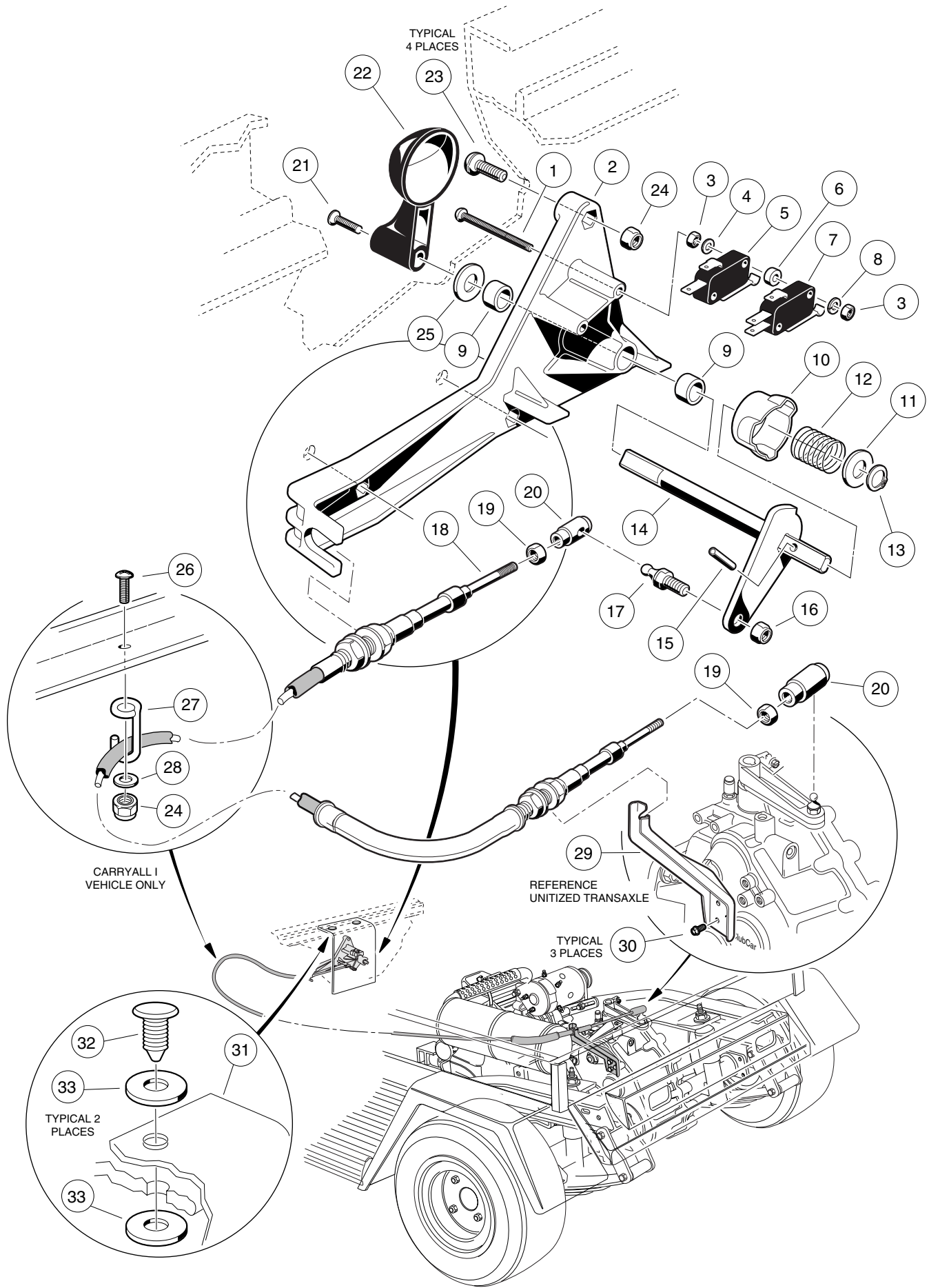
6
G
E

6
G
E

ELECTRICAL SYSTEM— GASOLINE VEHICLE

7

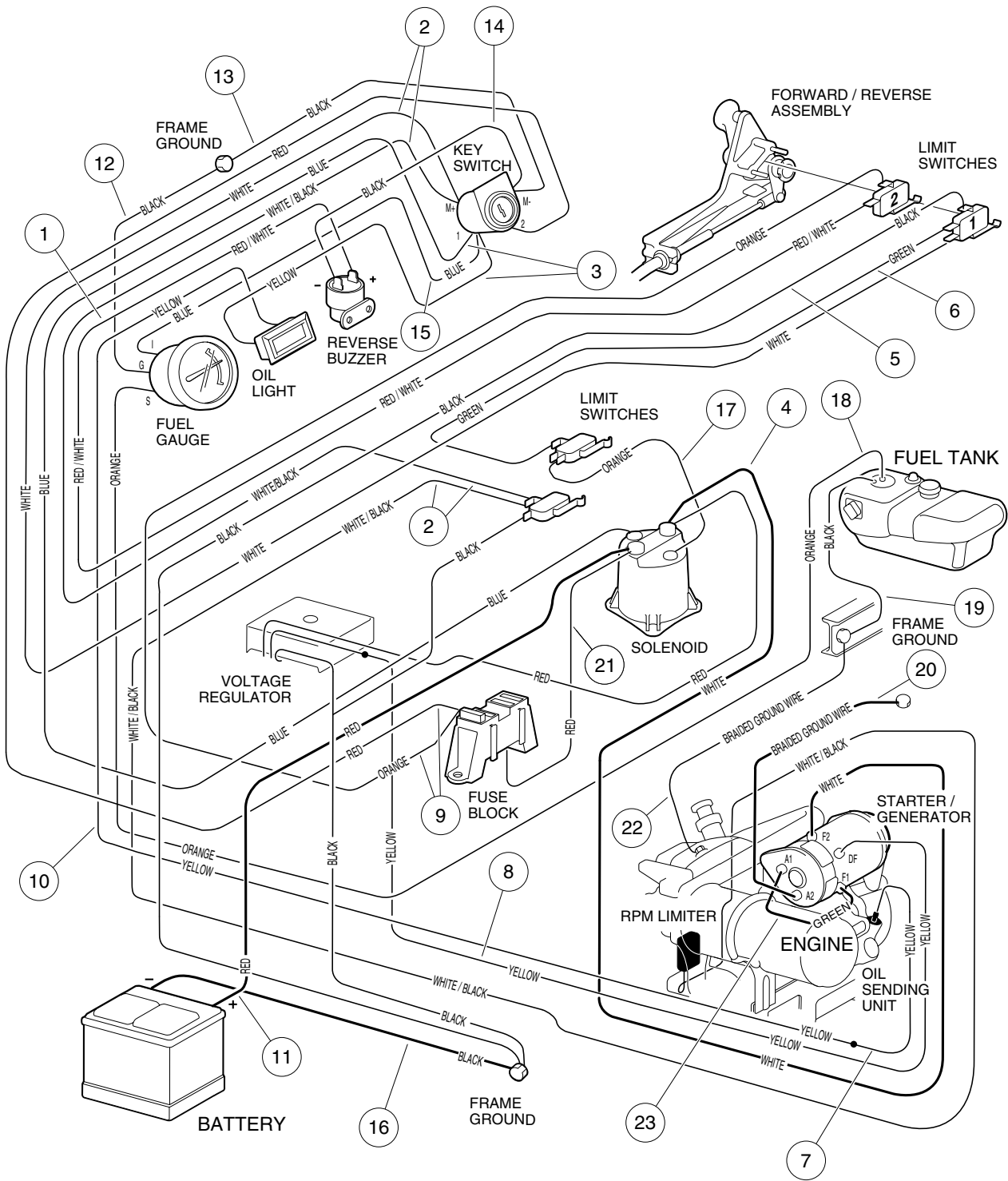
G



FORWARD AND REVERSE SHIFTER ASSEMBLY— GASOLINE VEHICLE

ITEM	PART NO.	DESCRIPTION	QTY
		1 2 3 4	
	1016947	ASSEMBLY, FORWARD AND REVERSE SHIFTER (INCLUDES ITEMS 1 - 17)	1
1	1012594	SCREW, MACHINE, #4 - 40 x 1 1/2	2
2	1016342	BASE, FORWARD AND REVERSE SHIFTER	1
3	0008057	NUT, HEX HEAD, #4 - 40	4
4	1012431	WASHER, FLAT, #4	4
5	1014808	SWITCH, LIMIT	1
6	1014727	WASHER, NYLON FLAT, #4	2
7	1014807	SWITCH, LIMIT	1
8	0008058	WASHER, LOCK, #4	2
9	1014145	BUSHING, BRONZE	2
10	1014089	KIT, NEUTRAL LOCK-OUT CAM (INCLUDES ITEM 11)	1
11	1014065	WASHER, FLAT	1
12	1013590	SPRING, FORWARD AND REVERSE CAM	1
13	1013589	RING, RETAINING	1
14	1013587	WELDMENT, FORWARD AND REVERSE BELL CRANK	1
15	1013591	PIN, ROLL, 1/8	1
16	0008717	NUT, NYLON LOCK, 1/4 - 28	1
17	1010954	STUD, BALL, 1/4 - 28 x 1/4	1
18	1019515-01	CABLE, TRANSMISSION (INCLUDES ITEMS 19 AND 20) (CARRYALL I ONLY)	1
18	1015409	CABLE, TRANSMISSION (INCLUDES ITEMS 19 AND 20) (CARRYALL II, TURF II, AND II PLUS)	1
18	1016727-01	CABLE, TRANSMISSION (INCLUDES ITEMS 19 AND 20) (CARRYALL VI ONLY)	1
19	0007893	NUT, HEX, #10 - 32	2
20	1012333	JOINT, BALL	2
21	1013198	SCREW, PHILLIPS OVAL COUNTERSUNK MACHINE, #8 - 32 x 5/8	1
22	1012987	HANDLE, FORWARD AND REVERSE SWITCH	1
23	0008248	SCREW, PHILLIPS TRUSS HEAD, 1/4 - 20 x 3/4	4
24	0008233	NUT, NYLON LOCK, 1/4 - 20	5
25	1016201	WASHER, WAVE, 3/8	1
26	0008251	SCREW, PHILLIPS HEAD, 1/4 - 20 x 1 (CARRYALL I ONLY)	1
27	1018558-01	RETAINER, CABLE (CARRYALL I ONLY)	1
28	0000332	WASHER, FLAT, 1/4 (CARRYALL I ONLY)	1
29	1019226-01	BRACKET, TRANSMISSION CABLE SUPPORT	1
30	1012285	SCREW, THREAD ROLLING, 1/4 - 20 x 5/8	3
31	1018962-01	KIT, FORWARD AND REVERSE SWITCH COVER (INCLUDES ITEM 32) (CARRYALL I, II, TURF II AND II PLUS)	1
32	1010434	BARREL, PLASTIC	2
33	1014306	WASHER, FLAT, TYPE B, 1/4	4

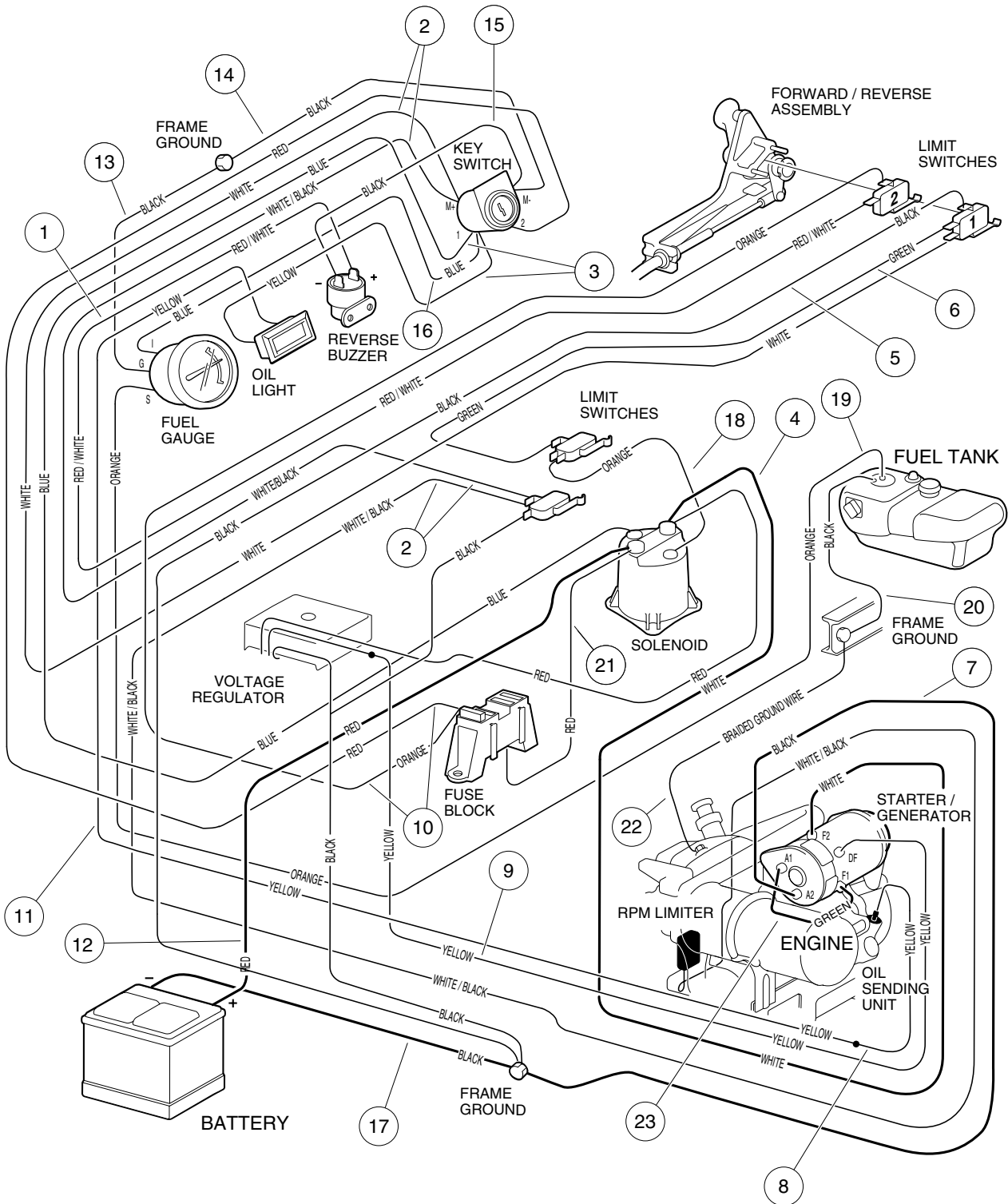




WIRING—GASOLINE CARRYALL I

ITEM	PART NO.	DESCRIPTION	QTY
		1 2 3 4	
	1018893-02	WIRE HARNESS ASSEMBLY (INCLUDES ITEMS 1 - 10)	1
1	N/A	WIRE ASSEMBLY, #18 RED/WHITE	1
2	N/A	WIRE ASSEMBLY, #18 WHITE, #18 WHITE/BLACK	1
3	N/A	WIRE ASSEMBLY, #18 YELLOW, #16 BLUE	1
4	1015769	WIRE ASSEMBLY, #6 WHITE	1
5	N/A	WIRE ASSEMBLY, #18 BLACK	1
6	N/A	WIRE ASSEMBLY, #18 GREEN	1
7	N/A	WIRE ASSEMBLY, #18 YELLOW	1
8	N/A	WIRE ASSEMBLY, #16 YELLOW	1
9	N/A	WIRE ASSEMBLY, #16 RED, #16 ORANGE	1
10	N/A	WIRE ASSEMBLY, #18 YELLOW	1
11	1014119	WIRE ASSEMBLY, #6 RED	1
12	N/A	WIRE ASSEMBLY, #18 BLACK	1
13	N/A	WIRE ASSEMBLY, #18 BLACK	1
14	N/A	WIRE ASSEMBLY, #18 BLACK (PART OF REVERSE BUZZER KIT)	1
15	N/A	WIRE ASSEMBLY, #18 BLUE	1
16	1012382	WIRE ASSEMBLY, #6 BLACK	1
17	N/A	WIRE ASSEMBLY, #18 ORANGE (PART OF ELECTRICAL COMPONENT BOX)	1
18	N/A	WIRE ASSEMBLY, #18 ORANGE	1
19	N/A	WIRE ASSEMBLY, #18 BLACK	1
20	1015920	WIRE ASSEMBLY, #6 BRAIDED GROUND	1
21	1015737	WIRE ASSEMBLY, #10 RED (PART OF ELECTRICAL COMPONENT BOX)	1
22	1015332	WIRE ASSEMBLY, #10 BRAIDED GROUND	1
23	1018373-01	WIRE ASSEMBLY, #6 GREEN	1

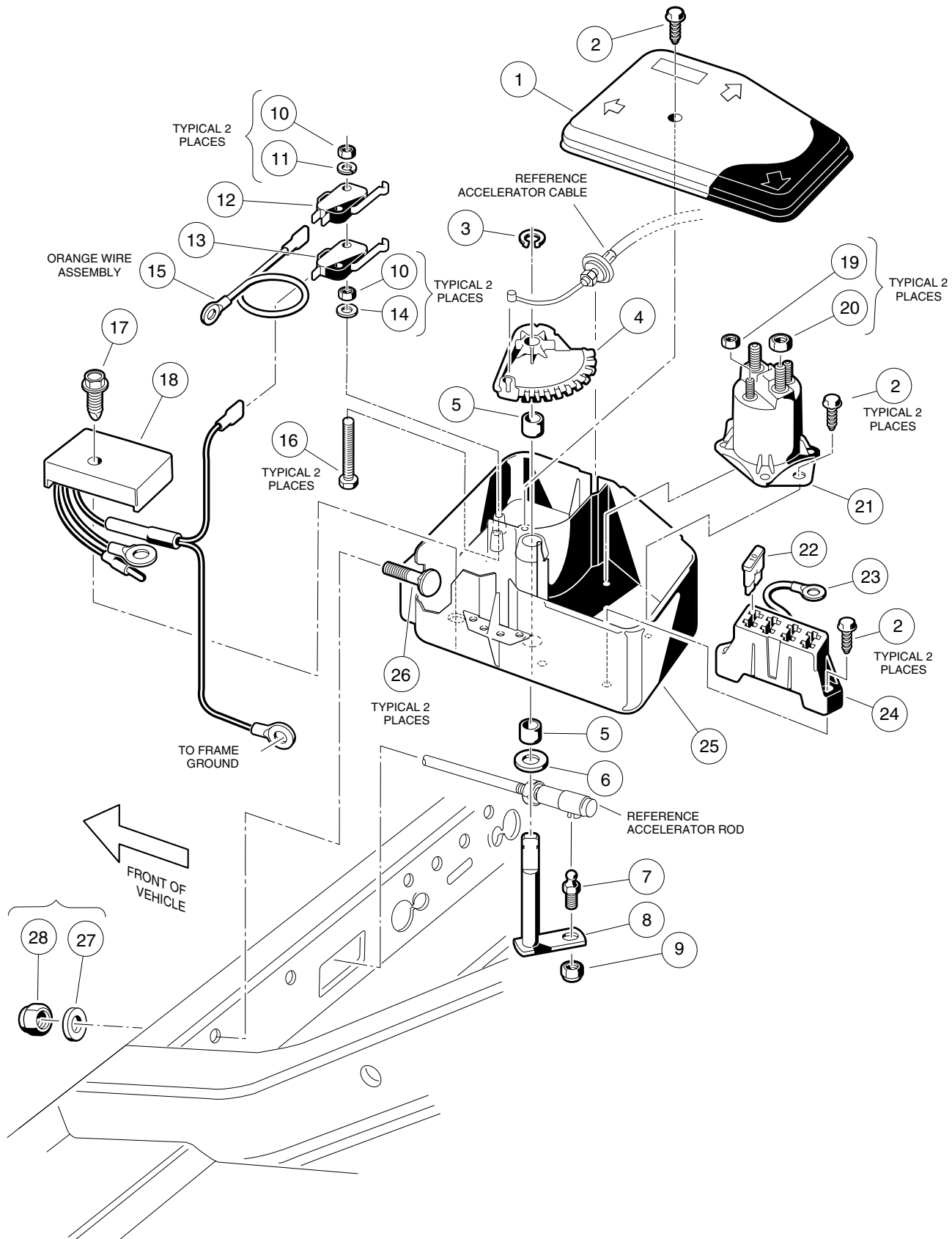




WIRING—GASOLINE CARRYALL II

7
G

ITEM	PART NO.	DESCRIPTION	QTY
		1 2 3 4	
	1016299-02	WIRE HARNESS ASSEMBLY (INCLUDES ITEMS 1 - 11)	1
1	N/A	WIRE ASSEMBLY, #16 RED/WHITE	1
2	N/A	WIRE ASSEMBLY, #18 WHITE, #18 WHITE/BLACK	1
3	N/A	WIRE ASSEMBLY, #18 YELLOW, #16 BLUE	1
4	1015769	WIRE ASSEMBLY, #6 WHITE	1
5	1016297	WIRE ASSEMBLY, #16 BLACK	1
6	N/A	WIRE ASSEMBLY, #16 GREEN	1
7	1016380	WIRE ASSEMBLY, #6 BLACK	1
8	N/A	WIRE ASSEMBLY, #18 YELLOW	1
9	N/A	WIRE ASSEMBLY, #16 YELLOW	1
10	N/A	WIRE ASSEMBLY, #16 RED, #16 ORANGE	1
11	N/A	WIRE ASSEMBLY, #16 YELLOW	1
12	1014119	WIRE ASSEMBLY, #6 RED	1
13	N/A	WIRE ASSEMBLY, #18 BLACK	1
14	N/A	WIRE ASSEMBLY, #18 BLACK	1
15	N/A	WIRE ASSEMBLY, #18 BLACK (PART OF REVERSE BUZZER KIT)	1
16	N/A	WIRE ASSEMBLY, #18 BLUE	1
17	1012382	WIRE ASSEMBLY, #6 BLACK	1
18	N/A	WIRE ASSEMBLY, #18 ORANGE (PART OF ELECTRICAL COMPONENT BOX)	1
19	N/A	WIRE ASSEMBLY, #18 ORANGE	1
20	N/A	WIRE ASSEMBLY, #18 BLACK	1
21	1015737	WIRE ASSEMBLY, #10 RED (PART OF ELECTRICAL COMPONENT BOX)	1
22	1015332	WIRE ASSEMBLY, #10 BRAIDED GROUND	1
23	1018373-01	WIRE ASSEMBLY, #6 GREEN	1

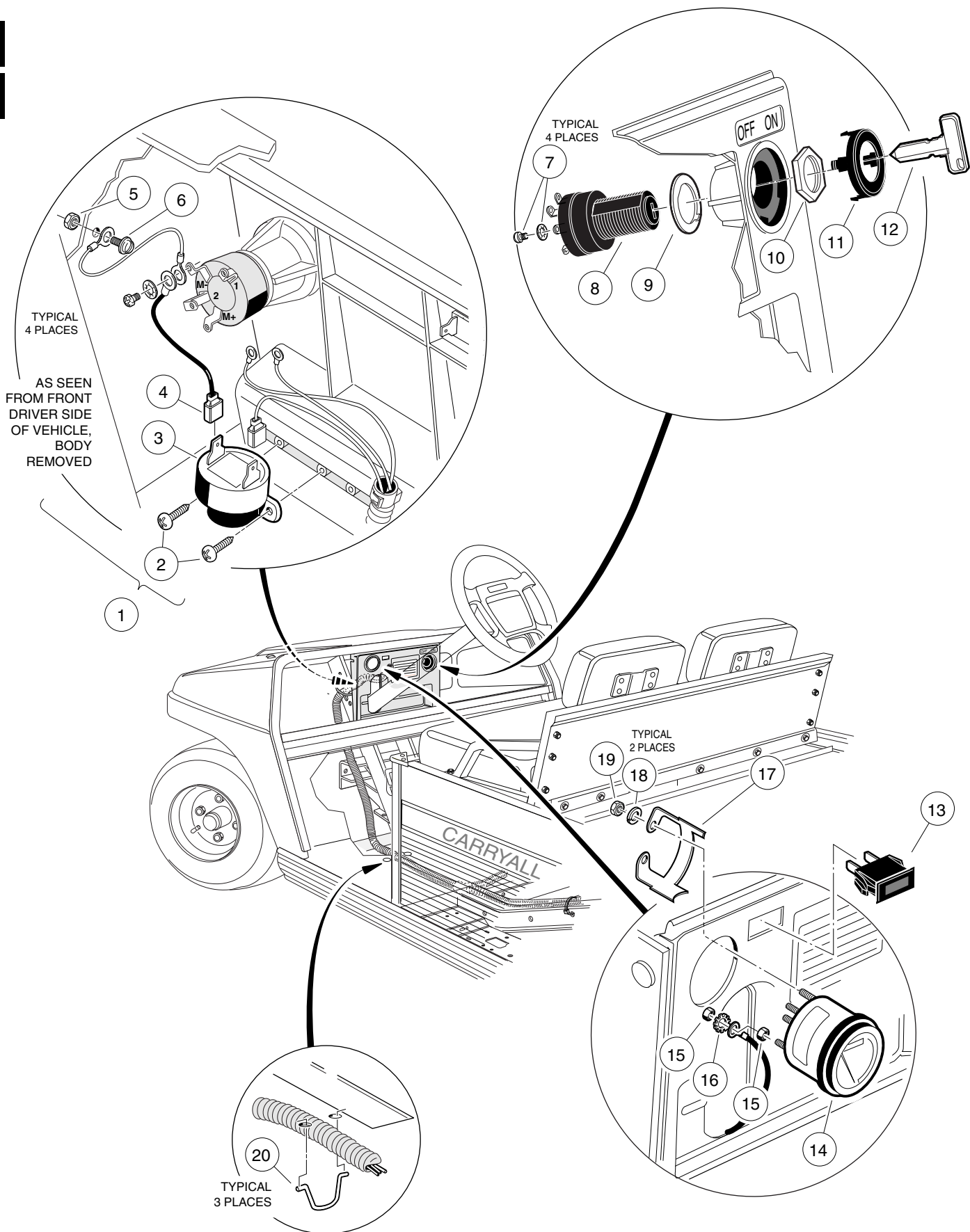


ELECTRICAL COMPONENT BOX, GASOLINE VEHICLE— CARRYALL I, II, AND TURF II



ITEM	PART NO.	DESCRIPTION	QTY
		1 2 3 4	
	1018276-01	BOX, ELECTRICAL COMPONENT, COMPLETE (INCLUDES ITEMS 1 - 25 AND 1018893-02 - SEE PAGE 7-5) (CARRYALL I ONLY)	1
	1018276-02	BOX, ELECTRICAL COMPONENT, COMPLETE (INCLUDES ITEMS 1 - 25 AND 1016299-02 - SEE PAGE 7-7 or 7-15) (CARRYALL II AND TURF II)	1
1	1015372	COVER, ELECTRICAL COMPONENT BOX	1
2	1015752	SCREW, HI-LO, #12 - 16 x 5/8	5
3	1013589	RING, RETAINING	1
4	1015373	CAM, ELECTRICAL BOX	1
5	1014145	BUSHING, BRONZE	2
6	1014065	WASHER, FLAT	1
7	1010954	STUD, BALL, 1/4 - 28	1
8	1015345	ASSEMBLY, BELL CRANK SHAFT	1
9	0008717	NUT, NYLON LOCK, 1/4 - 28	1
10	0008057	NUT, HEX, #4 - 40	4
11	0008058	WASHER, LOCK, #4	2
12	1014807	SWITCH, LIMIT	1
13	1014808	SWITCH, LIMIT	1
14	1012431	WASHER, FLAT, #4	2
15	N/A	WIRE ASSEMBLY, #16 ORANGE	1
16	1015878	SCREW, HEX HEAD MACHINE, #4 - 40 x 1 5/8	2
17	1018561-02	SCREW, HEX WASHER HEAD HI-LO, 1/4 - 15 x 1 1/2	1
18	1015777	ASSEMBLY, VOLTAGE REGULATOR	1
19	0007893	NUT, HEX, #10 - 32	2
20	0001242	NUT, HEX, 5/16 - 18	2
21	1013609	SOLENOID, 12 VOLT	1
22	1012295	FUSE, 10 AMP	1
23	1015737	WIRE ASSEMBLY, #10 RED	1
24	1015741	BLOCK, FUSE	1
25	1015371	BOX, ELECTRICAL COMPONENT	1
26	1015405	BOLT, CARRIAGE, 5/16 - 18 x 2	2
27	0001241	WASHER, FLAT, 5/16	2
28	0007473	NUT, NYLON LOCK, 5/16 - 18	2

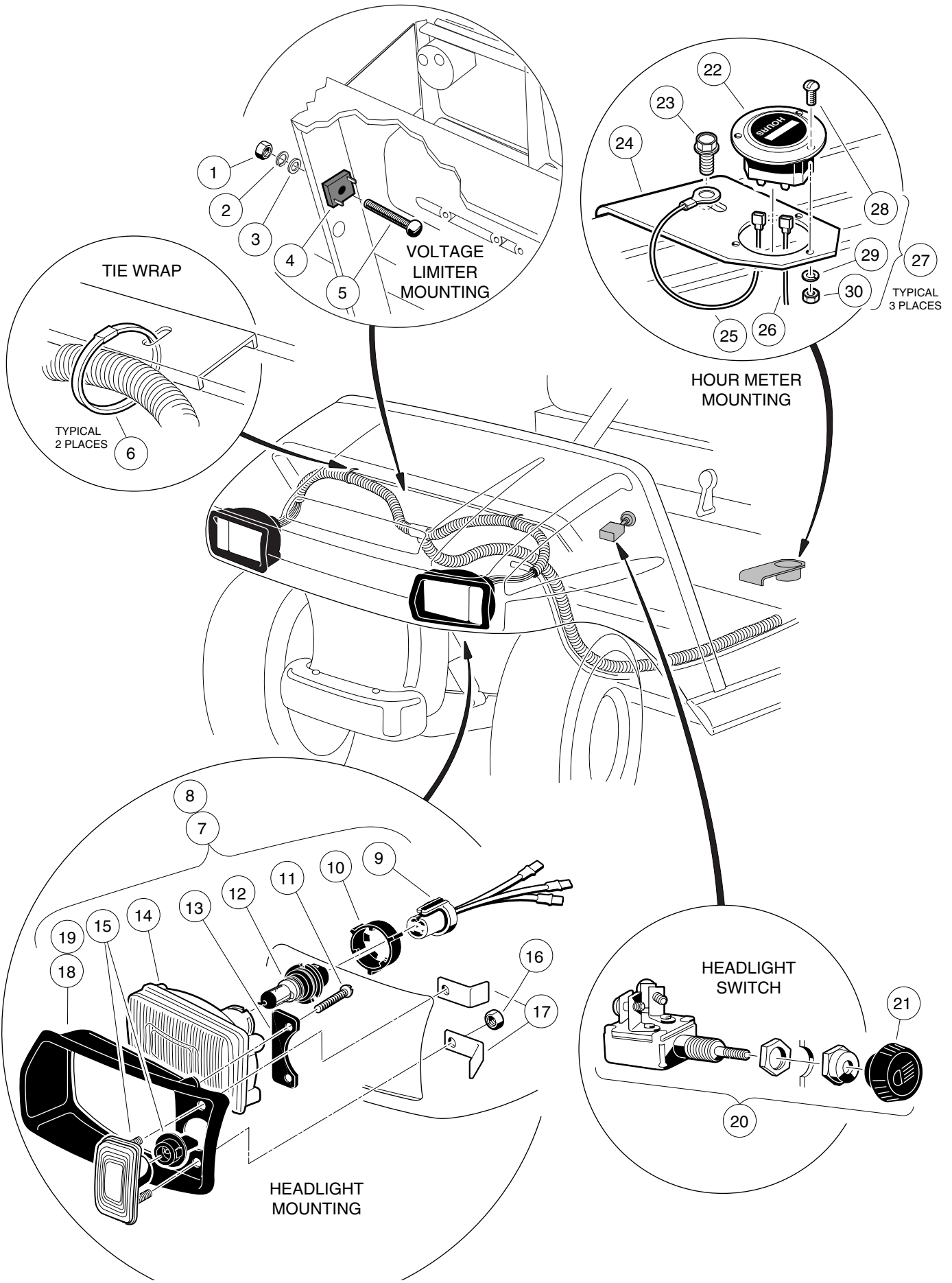
7
G



ELECTRICAL COMPONENTS, FRONT BODY— GASOLINE CARRYALL I, II, TURF II AND II PLUS

ITEM	PART NO.	DESCRIPTION	QTY
		1 2 3 4	
1	1016859	KIT, REVERSE BUZZER (INCLUDES ITEMS 2, 3 AND 4)	1
2	1016849	SCREW, PAN HEAD HILO, #4 - 24 x 5/16	2
3	1016851	BUZZER, REVERSE	1
4	N/A	WIRE ASSEMBLY, #18 BLACK	1
5	1011229	NUT, K LOCK, #6 - 32	1
6	1015720	BOLT, HEX WASHER HEAD, # 6 - 32 x 1/2	1
7	1018306-01	ASSEMBLY, SCREW AND WASHER (QUANTITY OF 5 FOR CARRYALL II PLUS)	4
8	1018263-01	SWITCH, KEY (CARRYALL I, II AND TURF II)	1
8	1018264-01	SWITCH, KEY (CARRYALL II PLUS ONLY)	1
9	1018511-01	WASHER	1
10	1018307-01	NUT, KEY SWITCH	1
11	1018345-02	CAP, KEY SWITCH	1
12	1012505	KEY (PAIR)	1
13	1016630	LIGHT, OIL WARNING	1
14	1015103	GAUGE, FUEL (INCLUDES ITEMS 15 AND 16)	1
15	N/A	NUT, BRASS	6
16	N/A	WASHER, EXTERNAL TOOTH LOCK	3
17	1015104	BRACKET, FUEL GAUGE	1
18	1011610	WASHER, LOCK, #8	2
19	1011571	NUT, HEX, #8 - 32	2
20	1019009-01	RETAINER, HARNESS	3

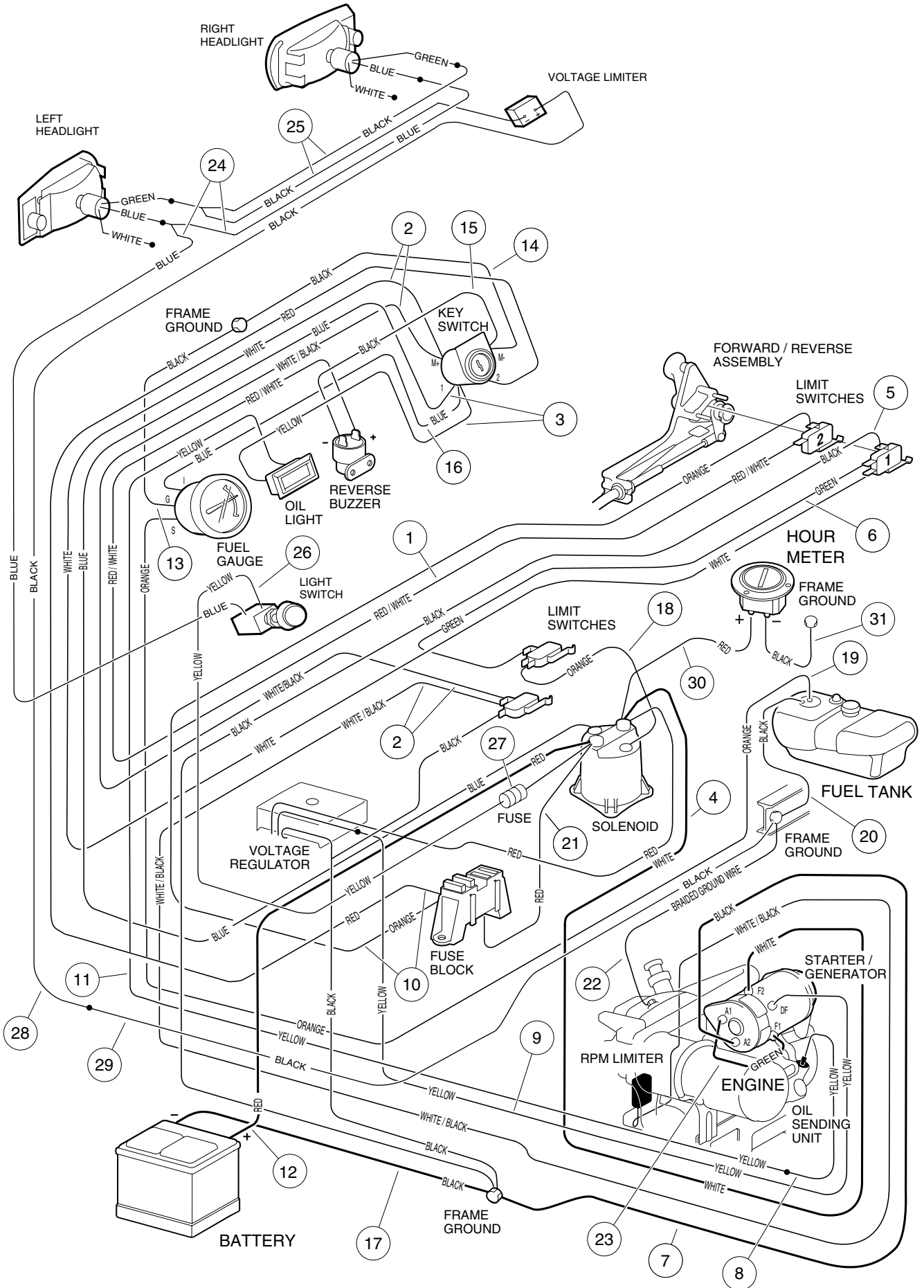




HEADLIGHTS AND HOUR METER— GASOLINE CARRYALL TURF II

ITEM	PART NO.	DESCRIPTION	QTY
		1 2 3 4	
1	0007893	NUT, HEX, #10 - 32	1
2	0001016	WASHER, LOCK, #10	1
3	0000183	WASHER, FLAT, #10	1
4	1017721	VOLTAGE LIMITER	1
5	1010909	SCREW, MACHINE HEAD, #10 - 32 x 1 1/4	1
6	0008990	WRAP, TIE	4
7	1016897-01	ASSEMBLY, HEADLIGHT, DRIVER SIDE (INCLUDES ITEMS 9 - 18)	1
8	1016897-02	ASSEMBLY, HEADLIGHT, PASSENGER SIDE (INCLUDES ITEMS 9 - 17 AND 19)	1
9	1017066	HARNES, HEADLIGHT WIRE	1
10	1017059	LOCK, BULB COLLAR	1
11	1013461	SCREW, HI-LO, #10 - 16	2
12	1017060	BULB, HALOGEN	1
13	1017065	RETAINER, HEADLIGHT	1
14	1017061	LENS, HEADLIGHT	1
15	1017062	ASSEMBLY, TURN SIGNAL LENS	1
16	0007893	NUT, HEX, #10 - 32	2
17	1017064	BRACKET, MOUNTING	2
18	1016880	BEZEL, HEADLIGHT, DRIVER SIDE.....	1
19	1016879	BEZEL, HEADLIGHT, PASSENGER SIDE	1
20	0004034	SWITCH, LIGHT (INCLUDES ITEM 21)	1
21	1013857	KNOB, LIGHT SWITCH	1
22	1013578	KIT, HOUR METER, 12 VOLT (INCLUDES ITEMS 23 - 30)	1
23	1012285	SCREW, THREAD-ROLLING, 1/4 - 20 x 5/8	1
24	1013547	BRACKET, HOUR METER MOUNTING	1
25	N/A	WIRE ASSEMBLY, #18 BLACK	1
26	N/A	WIRE ASSEMBLY, #18 RED	1
27	1016862	KIT, HARDWARE, HOUR METER MOUNTING (INCLUDES ITEMS 28 - 30)	1
28	N/A	SCREW, ROUND HEAD, #6 - 32 x 1/2	3
29	N/A	NUT, HEX, #6 - 32	3
30	N/A	WASHER, LOCK, #6 - 32	3

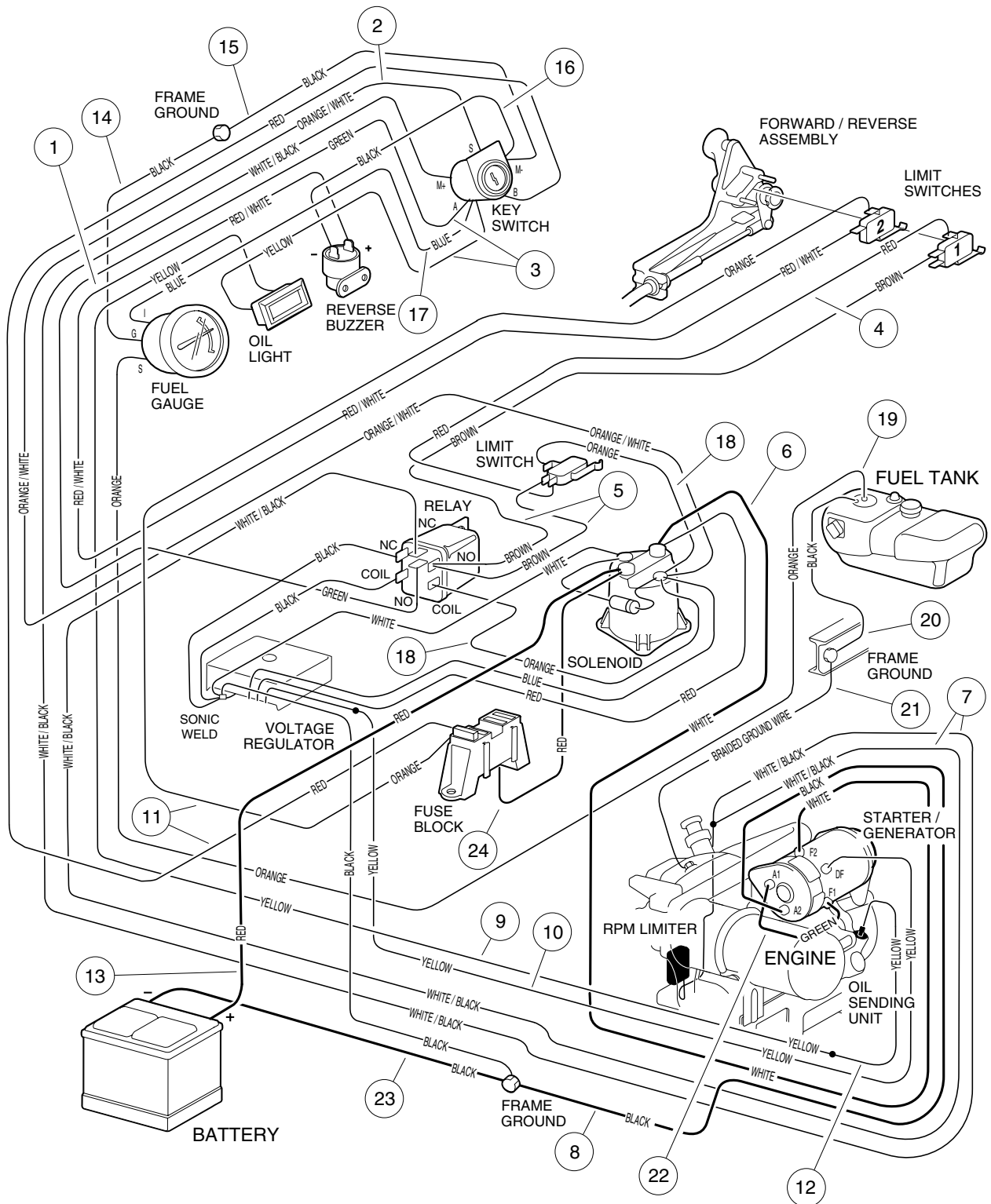




WIRING— GASOLINE CARRYALL TURF II

ITEM	PART NO.	DESCRIPTION	QTY
		1 2 3 4	
	1016299-02	WIRE HARNESS ASSEMBLY (INCLUDES ITEMS 1 - 11)	1
1	N/A	WIRE ASSEMBLY, #16 RED/WHITE	1
2	N/A	WIRE ASSEMBLY, #18 WHITE, #18 WHITE/BLACK	1
3	N/A	WIRE ASSEMBLY, #18 YELLOW, #16 BLUE	1
4	1015769	WIRE ASSEMBLY, #6 WHITE	1
5	1016297	WIRE ASSEMBLY, #16 BLACK	1
6	N/A	WIRE ASSEMBLY, #16 GREEN	1
7	1016380	WIRE ASSEMBLY, #6 BLACK	1
8	N/A	WIRE ASSEMBLY, #18 YELLOW	1
9	N/A	WIRE ASSEMBLY, #16 YELLOW	1
10	N/A	WIRE ASSEMBLY, #16 RED, #16 ORANGE	1
11	N/A	WIRE ASSEMBLY, #16 YELLOW	1
12	1014119	WIRE ASSEMBLY, #6 RED	1
13	N/A	WIRE ASSEMBLY, #18 BLACK	1
14	N/A	WIRE ASSEMBLY, #18 BLACK	1
15	N/A	WIRE ASSEMBLY, #18 BLACK (PART OF REVERSE BUZZER KIT)	1
16	N/A	WIRE ASSEMBLY, #18 BLUE	1
17	1012382	WIRE ASSEMBLY, #6 BLACK	1
18	N/A	WIRE ASSEMBLY, #18 ORANGE (PART OF ELECTRICAL COMPONENT BOX)	1
19	N/A	WIRE ASSEMBLY, #18 ORANGE	1
20	N/A	WIRE ASSEMBLY, #18 BLACK	1
21	1015737	WIRE ASSEMBLY, #10 RED (PART OF ELECTRICAL COMPONENT BOX)	1
22	1015332	WIRE ASSEMBLY, #10 BRAIDED GROUND	1
23	1018373-01	WIRE ASSEMBLY, #6 GREEN	1
	1016858	WIRE HARNESS, HEADLIGHT (INCLUDES ITEMS 24 - 29)	1
24	N/A	WIRE ASSEMBLY, #16 BLUE	1
25	N/A	WIRE ASSEMBLY, #16 BLACK	1
26	N/A	WIRE ASSEMBLY, #16 YELLOW (INCLUDES ITEM 27)	1
27	0008106	FUSE, 20 AMP	1
28	N/A	WIRE ASSEMBLY, #16 BLACK	1
29	N/A	WIRE ASSEMBLY, #16 BLACK	1
30	N/A	WIRE ASSEMBLY, #18 RED (PART OF HOUR METER KIT)	1
31	N/A	WIRE ASSEMBLY, #18 BLACK (PART OF HOUR METER KIT)	1

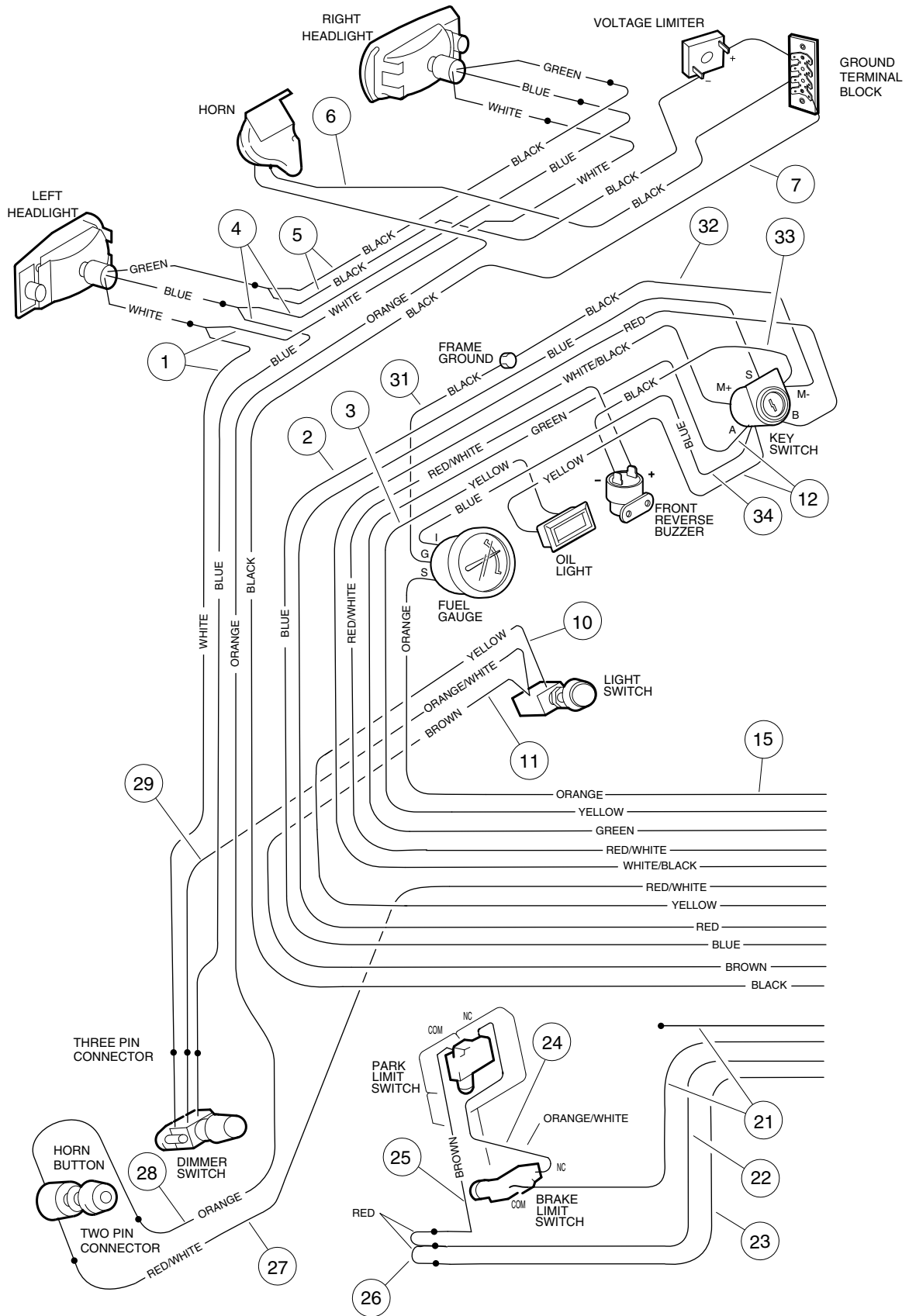
7
G

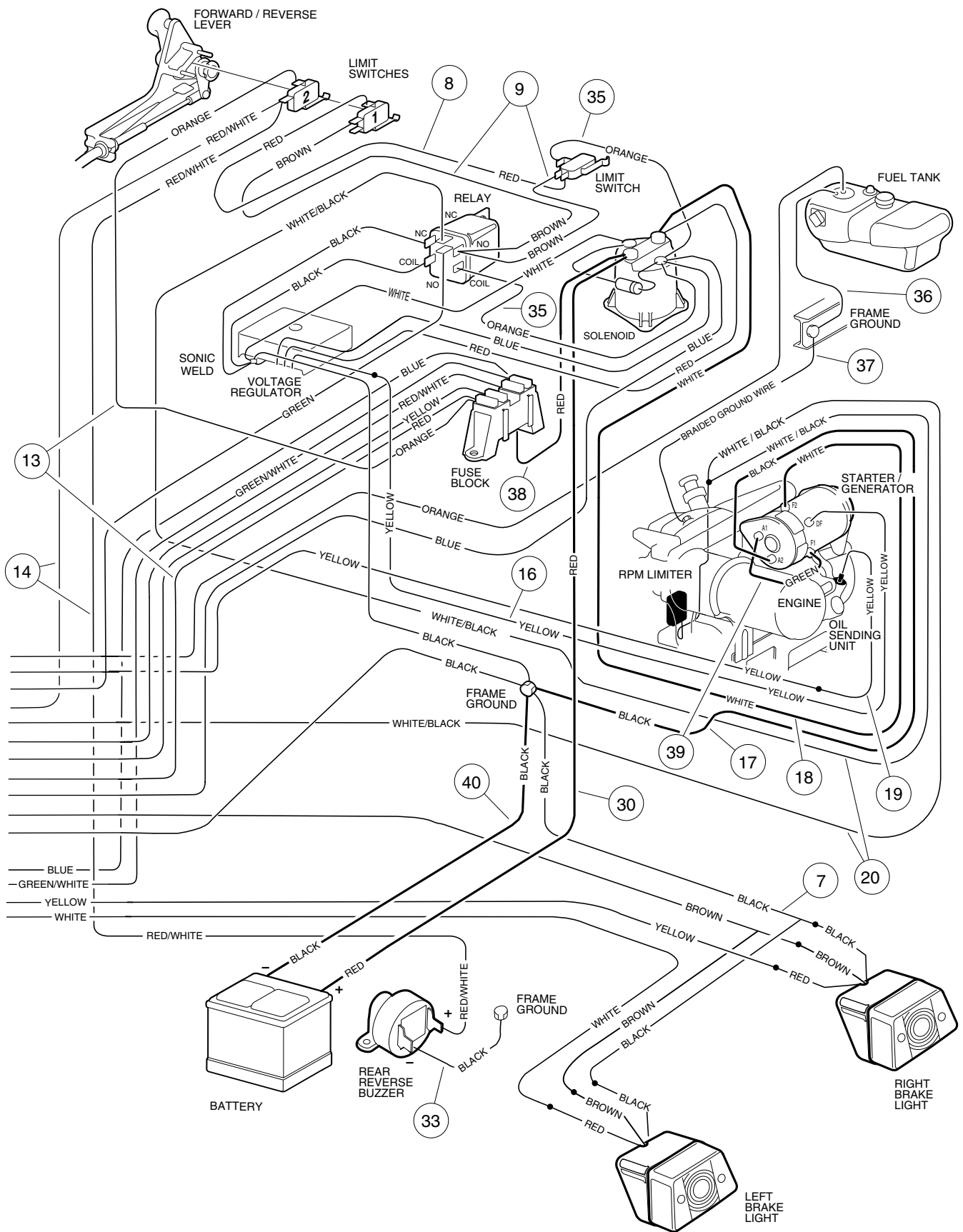


WIRING—GASOLINE CARRYALL II PLUS

ITEM	PART NO.	DESCRIPTION	QTY
		1 2 3 4	
	1016895-02	WIRE HARNESS ASSEMBLY, CARRYALL II PLUS (INCLUDES ITEMS 1 - 12)	1
1	N/A	WIRE ASSEMBLY, #16 RED/WHITE	1
2	N/A	WIRE ASSEMBLY, #18 ORANGE/WHITE	1
3	N/A	WIRE ASSEMBLY, #18 YELLOW/#18 GREEN	1
4	N/A	WIRE ASSEMBLY, #18 RED	1
5	N/A	WIRE ASSEMBLY, #18 BROWN	1
6	1015769	WIRE ASSEMBLY, #6 WHITE	1
7	N/A	WIRE ASSEMBLY, #18 WHITE/BLACK	1
8	1016380	WIRE ASSEMBLY, #6 BLACK	1
9	N/A	WIRE ASSEMBLY, #16 YELLOW	1
10	N/A	WIRE ASSEMBLY, #16 YELLOW	1
11	N/A	WIRE ASSEMBLY, #16 RED, #16 ORANGE	1
12	N/A	WIRE ASSEMBLY, #18 YELLOW	1
13	1014119	WIRE ASSEMBLY, #6 RED	1
14	N/A	WIRE ASSEMBLY, #18 BLACK	1
15	N/A	WIRE ASSEMBLY, #18 BLACK	1
16	N/A	WIRE ASSEMBLY, #18 BLACK	1
17	N/A	WIRE ASSEMBLY, #18 BLUE	1
18	N/A	WIRE ASSEMBLY, #18 ORANGE (PART OF ELECTRICAL COMPONENT BOX)	1
19	N/A	WIRE ASSEMBLY, #18 ORANGE	1
20	N/A	WIRE ASSEMBLY, #18 BLACK	1
21	1015332	WIRE ASSEMBLY, #10 BRAIDED GROUND	1
22	1018373-01	WIRE ASSEMBLY, #6 GREEN	1
23	1012382	WIRE ASSEMBLY, #6 BLACK	1
24	1015737	WIRE ASSEMBLY, #10 RED (PART OF ELECTRICAL COMPONENT BOX)	1



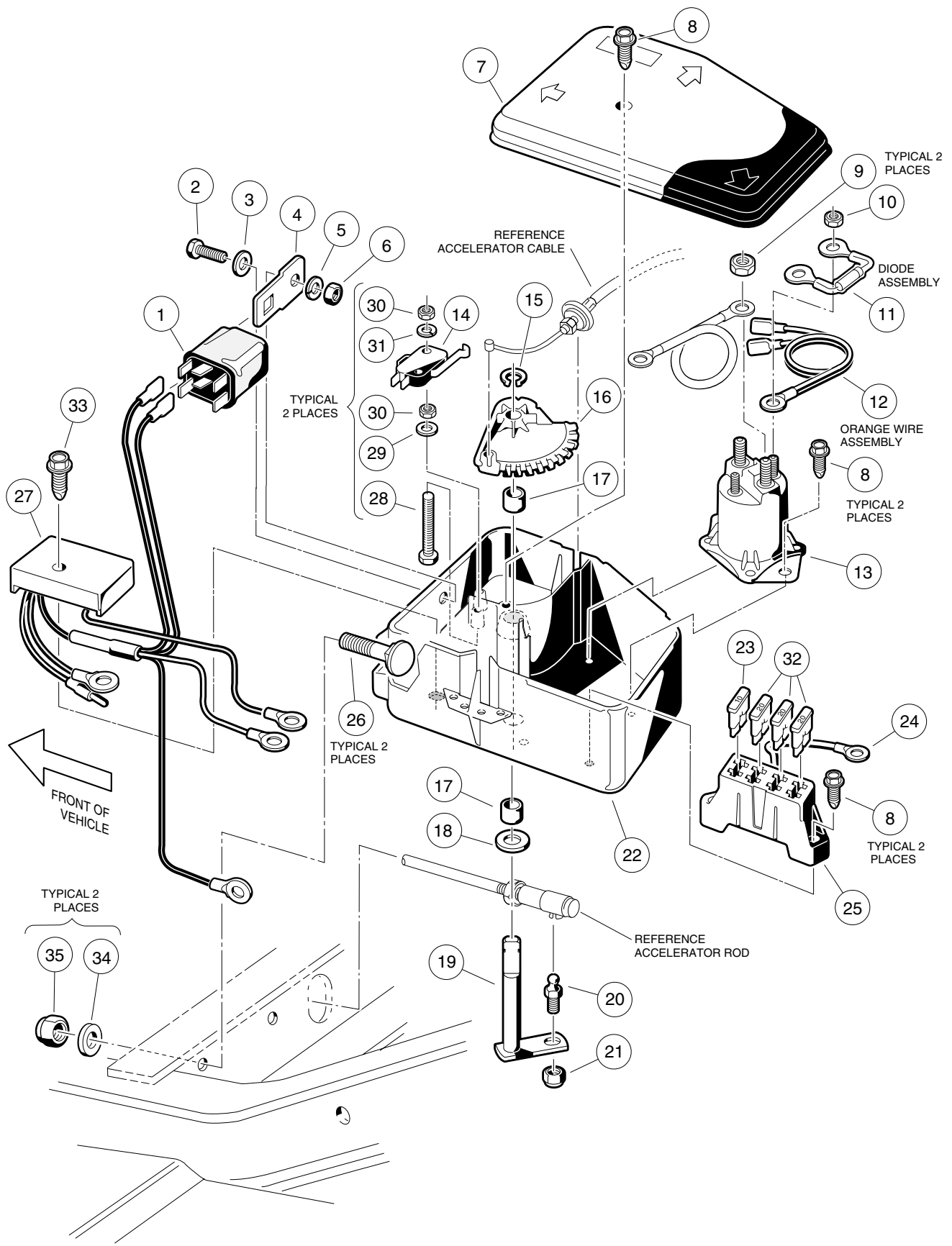




WIRING—GASOLINE CARRYALL VI

ITEM	PART NO.	DESCRIPTION	QTY
		1 2 3 4	
	1019695-02	HARNESS, WIRE (INCLUDES ITEMS 1 - 29)	1
1	N/A	WIRE ASSEMBLY, #16 WHITE	1
2	N/A	WIRE ASSEMBLY, #18 BLUE	1
3	N/A	WIRE ASSEMBLY, #18 YELLOW	1
4	N/A	WIRE ASSEMBLY, #18 BLUE	1
5	N/A	WIRE ASSEMBLY, #16 BLACK	1
6	N/A	WIRE ASSEMBLY, #16 BLACK	1
7	N/A	WIRE ASSEMBLY, #14 BLACK, #18 BLACK	1
8	N/A	WIRE ASSEMBLY, #18 RED	1
9	N/A	WIRE ASSEMBLY, #18 BROWN	1
10	N/A	WIRE ASSEMBLY, #14 YELLOW	1
11	N/A	WIRE ASSEMBLY, #18 BROWN	1
12	N/A	WIRE ASSEMBLY, #18 GREEN AND #18 YELLOW	1
13	N/A	WIRE ASSEMBLY, #16 RED AND #16 ORANGE	1
14	N/A	WIRE ASSEMBLY, #18 RED/WHITE	1
15	N/A	WIRE ASSEMBLY, #18 ORANGE	1
16	N/A	WIRE ASSEMBLY, #16 YELLOW	1
17	1016380	WIRE ASSEMBLY, # 6 BLACK	1
18	1015769	WIRE ASSEMBLY, # 6 WHITE	1
19	N/A	WIRE ASSEMBLY, #18 YELLOW	1
20	N/A	WIRE ASSEMBLY, #18 WHITE/BLACK	1
21	N/A	WIRE ASSEMBLY, #18 GREEN/WHITE AND #18 BLUE	1
22	N/A	WIRE ASSEMBLY, #18 YELLOW	1
23	N/A	WIRE ASSEMBLY, #18 WHITE	1
24	N/A	WIRE ASSEMBLY, #16 ORANGE/WHITE	1
25	N/A	WIRE ASSEMBLY, #16 BROWN	1
26	N/A	WIRE ASSEMBLY, #18 RED	1
27	N/A	WIRE ASSEMBLY, #16 RED/WHITE	1
28	N/A	WIRE ASSEMBLY, #16 ORANGE	1
29	N/A	WIRE ASSEMBLY, #16 ORANGE/WHITE	1
30	1014119	WIRE ASSEMBLY, #6 RED	1
31	N/A	WIRE ASSEMBLY, #18 BLACK	1
32	N/A	WIRE ASSEMBLY, #18 BLACK	1
33	N/A	WIRE ASSEMBLY, #18 BLACK (PART OF REVERSE BUZZER KIT)	2
34	N/A	WIRE ASSEMBLY, #18 BLUE	1
35	N/A	WIRE ASSEMBLY, #18 ORANGE (PART OF ELECTRICAL COMPONENT BOX)	1
36	N/A	WIRE ASSEMBLY, #18 BLACK	1
37	1015332	WIRE ASSEMBLY, #10 BRAIDED GROUND WIRE	1
38	1015737	WIRE ASSEMBLY, #10 RED (PART OF ELECTRICAL COMPONENT BOX)	1
39	1018373-01	WIRE ASSEMBLY, #6 GREEN	1
40	1012382	WIRE ASSEMBLY, #6 BLACK	1



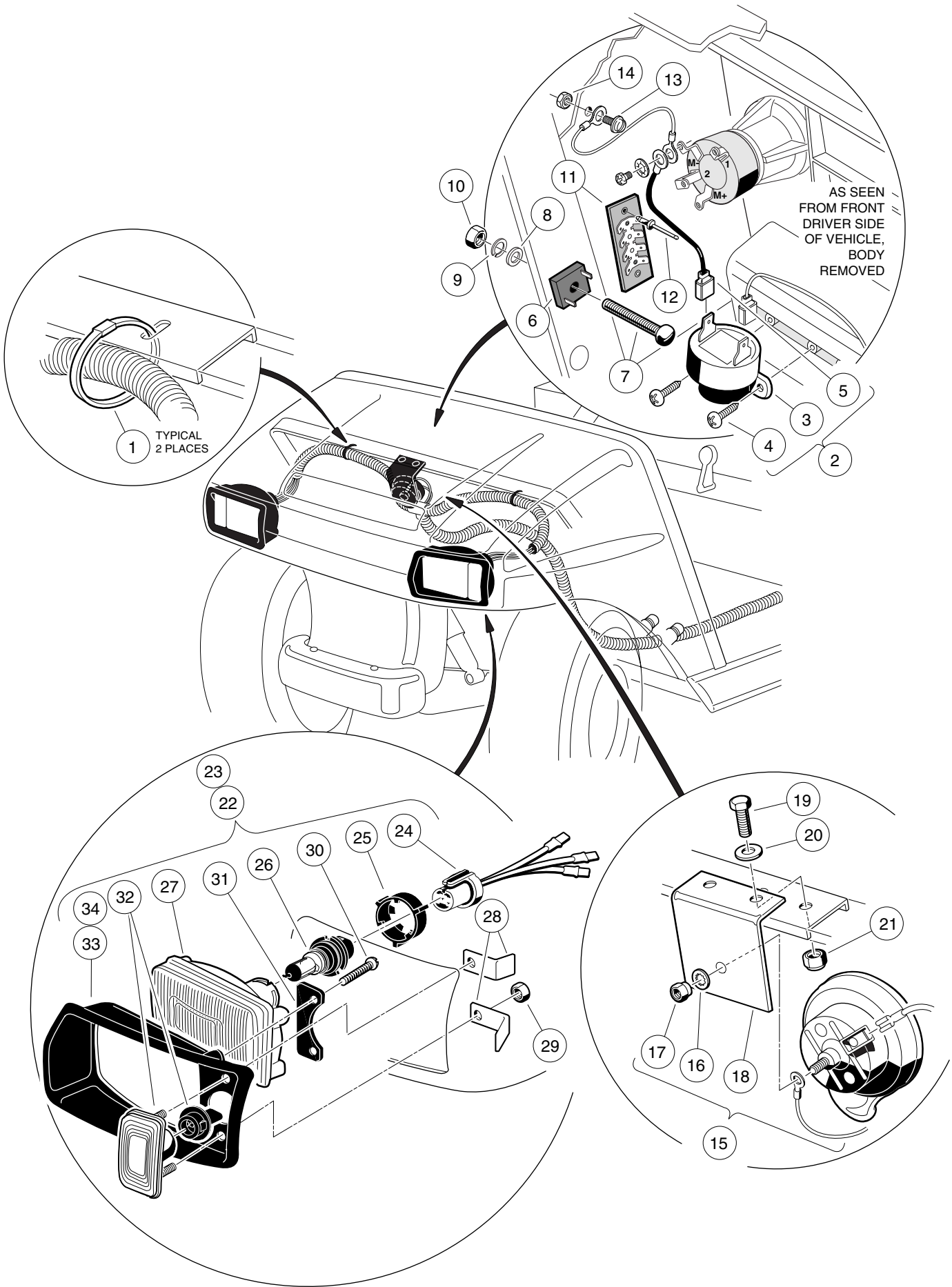


ELECTRICAL COMPONENT BOX, GASOLINE VEHICLE— CARRYALL II PLUS AND VI



ITEM	PART NO.	DESCRIPTION	QTY
		1 2 3 4	
	1018277-01	BOX, ELECTRICAL COMPONENT, COMPLETE (INCLUDES ITEMS 1 - 31 AND WIRE HARNESS 1016895-02 - SEE PAGE 7-17) (FOR CARRYALL II PLUS ONLY)	1
	1018277-02	BOX, ELECTRICAL COMPONENT, COMPLETE (INCLUDES ITEMS 1 - 31 AND WIRE HARNESS 1019695-02 - SEE PAGE 7-19) (FOR CARRYALL VI ONLY)	1
1	1017239	RELAY	1
2	0008450	SCREW, HEX HEAD MACHINE, #10 - 24 x 1/2	1
3	0000183	WASHER, FLAT, #10	1
4	1017243	BRACKET, RELAY MOUNTING	1
5	0001016	WASHER, LOCK, #10	1
6	0001017	NUT, HEX, #10 - 24	1
7	1015372	COVER, ELECTRICAL COMPONENT BOX	1
8	1015752	SCREW, HI-LO, #12 - 16 x 5/8	5
9	0001242	NUT, HEX, 5/16 - 18	2
10	0007893	NUT, HEX, #10 - 32	2
11	1014948	ASSEMBLY, DIODE	1
12	N/A	WIRE ASSEMBLY, #18 ORANGE	1
13	1013609	SOLENOID	1
14	1014807	SWITCH, LIMIT	1
15	1013589	RING, RETAINING	1
16	1015373	CAM, ELECTRICAL BOX	1
17	1014145	BUSHING, BRONZE	2
18	1014065	WASHER, FLAT	1
19	1015345	ASSEMBLY, BELL CRANK SHAFT	1
20	1010954	STUD, BALL, 1/4 - 28	1
21	0008717	NUT, NYLON LOCK, 1/4 - 28	1
22	1016997	BOX, ELECTRICAL COMPONENT	1
23	1012295	FUSE, 10 AMP	1
24	1015737	WIRE ASSEMBLY, #10 RED	1
25	1015741	BLOCK, FUSE	1
26	1015405	BOLT, CARRIAGE, 5/16 - 18 x 2	1
27	1017238	REGULATOR, VOLTAGE	1
28	1015878	SCREW, HEX HEAD MACHINE, #4 - 40 x 1 5/8	2
29	1012431	WASHER, FLAT, #4	2
30	0008057	NUT, HEX, #4 - 40	4
31	0008058	WASHER, LOCK, #4	2
32	1016423	FUSE, 20 AMP (CARRYALL VI ONLY)	3
33	1018561-02	SCREW, HEX WASHER HEAD HI-LO, 1/4 - 15 x 1 1/2	1
34	0001241	WASHER, FLAT, 5/16	2
35	0007473	NUT, NYLON LOCK, 5/16 - 18	2

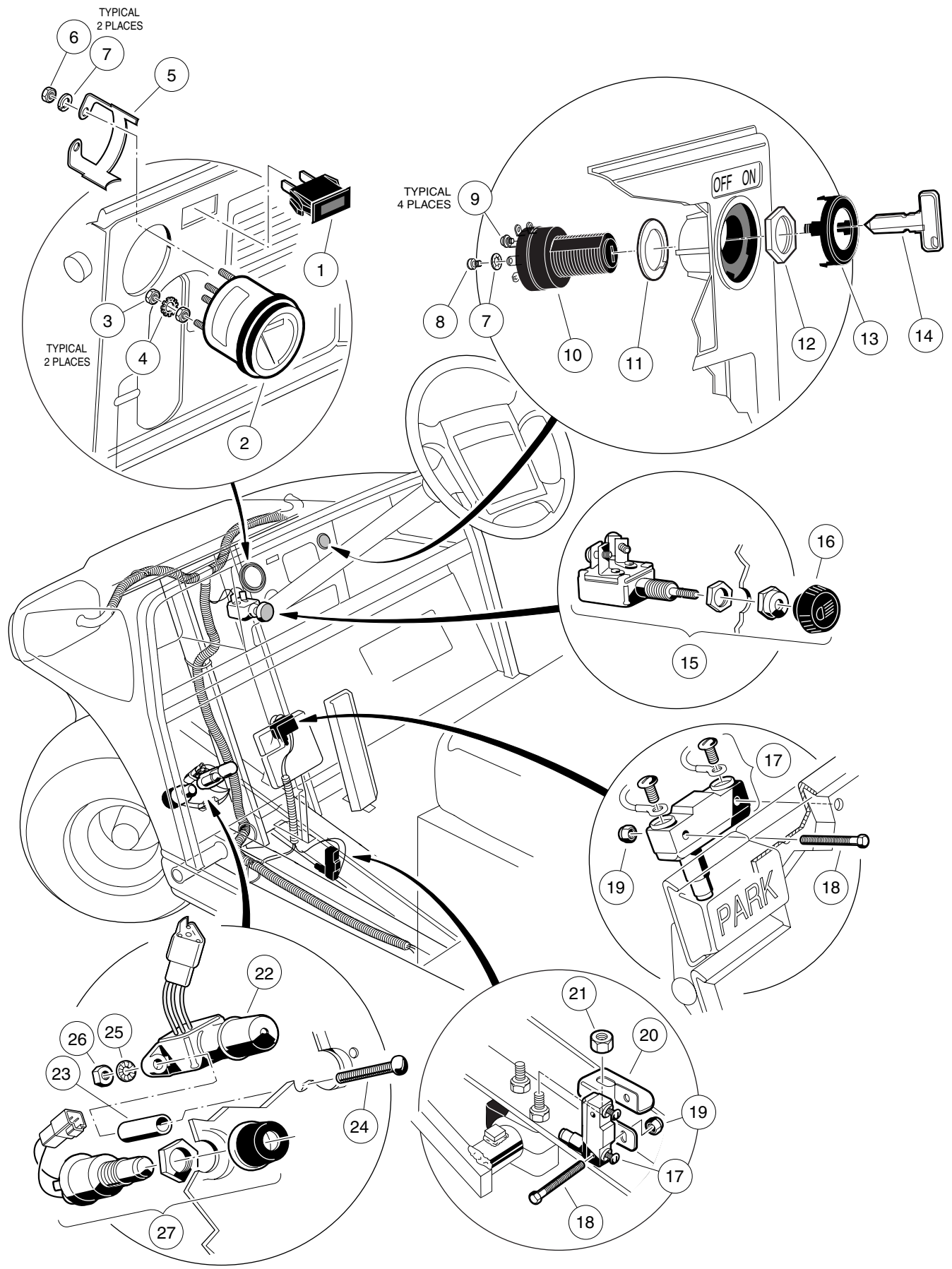
7
G



ELECTRICAL COMPONENTS, FRONT BODY— GASOLINE CARRYALL VI

ITEM	PART NO.	DESCRIPTION	QTY
		1 2 3 4	
1	0008639	WRAP, TIE	4
2	1016859	KIT, REVERSE BUZZER (INCLUDES ITEMS 3, 4 AND 5)	1
3	1016851	BUZZER, REVERSE	1
4	1016849	SCREW, PAN HEAD HILO, #4 - 24 x 5/16	2
5	N/A	WIRE ASSEMBLY, #18 BLACK	1
6	1017721	LIMITER, VOLTAGE (FOR GASOLINE VEHICLE LIGHTING INSTALLATION)	1
7	1010909	SCREW, MACHINE, #10 - 32 x 1 1/4	1
8	0000183	WASHER, FLAT, #10	1
9	0001016	WASHER, LOCK, #10	1
10	0007893	NUT, HEX, #10 - 32	1
11	1016356	BLOCK, TERMINAL	1
12	1013357	RIVET, ALUMINUM POP, 5/32	2
13	1015720	BOLT, HEX WASHER HEAD, #6 - 32 x 1/2	1
14	1011229	NUT, "K" LOCK, #6 - 32	1
15	0004029	ASSEMBLY, HORN (INCLUDES ITEMS 16, 17 AND 18)	1
16	0007820	WASHER, INTERNAL TOOTH, 5/16	1
17	1019551-01	NUT, M6 x 1.25	1
18	1011825	BRACKET, HORN	1
19	0000304	BOLT, HEX HEAD, 1/4 - 20 x 1	2
20	0000332	WASHER, FLAT, 1/4	2
21	0008233	NUT, NYLON LOCK, 1/4 - 20	2
22	1016897-01	ASSEMBLY, HEADLIGHT, DRIVER SIDE (INCLUDES ITEMS 24 - 33)	1
23	1016897-02	ASSEMBLY, HEADLIGHT, PASSENGER SIDE (INCLUDES ITEMS 24 - 32 AND 34)	1
24	1017066	HARNES, HEADLIGHT WIRE	1
25	1017059	LOCK, BULB COLLAR	1
26	1017060	BULB, HALOGEN	1
27	1017061	LENS, HEADLIGHT	1
28	1017064	BRACKET, MOUNTING	2
29	0007893	NUT, HEX, #10 - 32	2
30	1013461	SCREW, HI-LO, #10 - 16 x 7/16	2
31	1017065	RETAINER, HEADLIGHT	1
32	1017062	ASSEMBLY, TURN SIGNAL LENS	1
33	1016880	BEZEL, HEADLIGHT, DRIVER SIDE	1
34	1016879	BEZEL, HEADLIGHT, PASSENGER SIDE	1



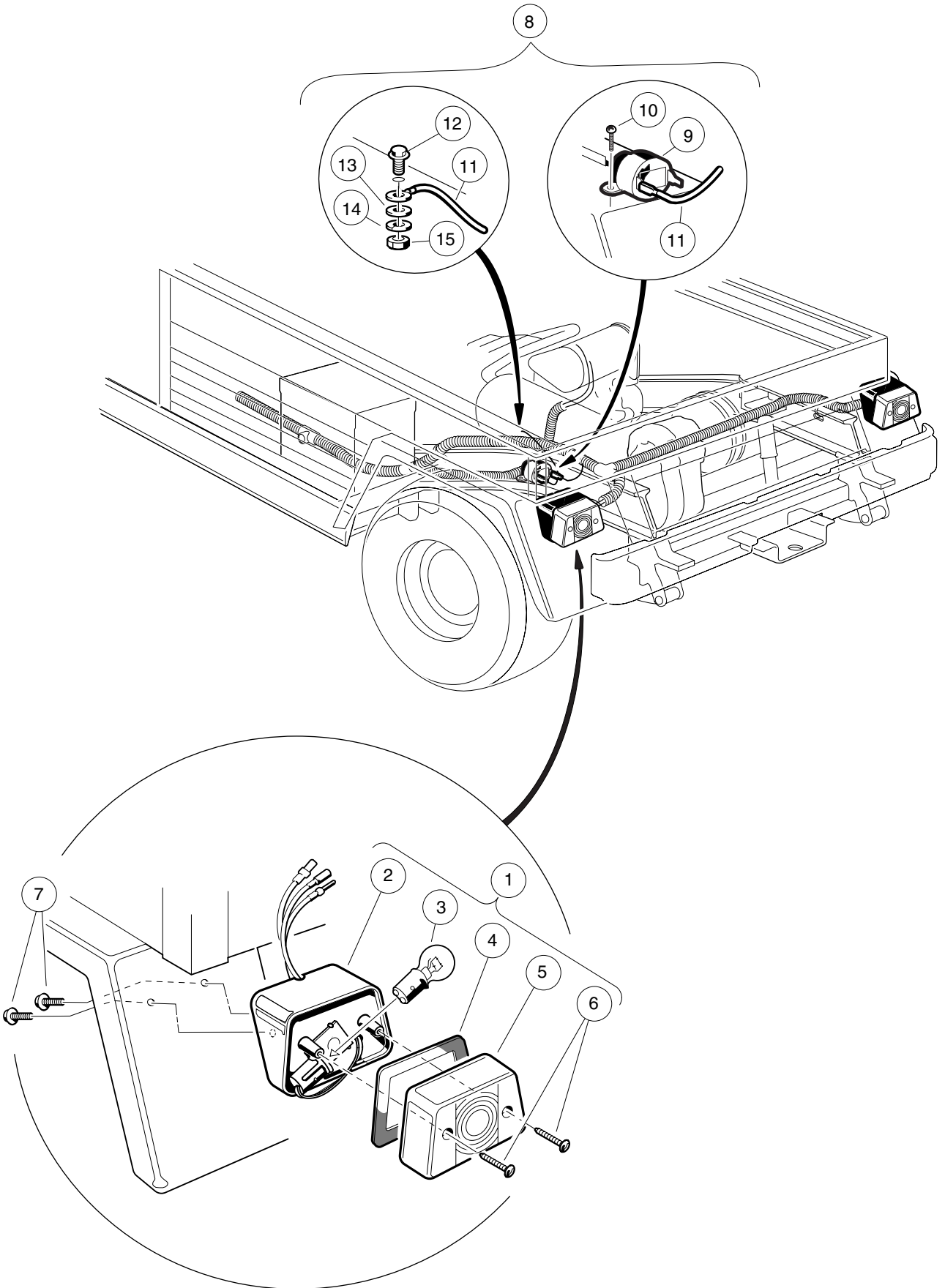


CONTROLS AND GAUGES—GASOLINE CARRYALL VI

ITEM	PART NO.	DESCRIPTION	QTY
		1 2 3 4	
1	1016630	LIGHT, OIL WARNING	1
2	1015103	GAUGE, FUEL (INCLUDES ITEMS 3 AND 4)	1
3	N/A	NUT, BRASS	6
4	N/A	WASHER, EXTERNAL TOOTH LOCK	3
5	1015104	BRACKET, FUEL GAUGE	1
6	1011571	NUT, HEX, #8 - 32	2
7	1011610	WASHER, LOCK, #8	3
8	1016092	SCREW, PAN HEAD MACHINE, #8 - 32 x 7/16	1
9	1018306-01	ASSEMBLY, SCREW AND WASHER	4
10	1018264-01	SWITCH, KEY	1
11	1018511-01	WASHER	1
12	1018307-01	NUT, KEY SWITCH	1
13	1018345-02	CAP, KEY SWITCH	1
14	1012505	KEY (PAIR)	1
15	0004034	SWITCH, LIGHT (INCLUDES ITEM 16)	1
16	1013857	KNOB, LIGHT SWITCH	1
17	1011439	SWITCH, LIMIT	2
18	1011557	SCREW, HEX HEAD MACHINE, #6 - 32 x 1	4
19	1019322-01	NUT, NYLON LOCK, #6 - 32	4
20	1019571-01	BRACKET, BRAKE LIGHT SWITCH	1
21	1011280	NUT, LOCK, 5/16 - 18	1
22	1019698-01	SWITCH, DIMMER	1
23	1018713-01	STAND-OFF, DIMMER SWITCH	2
24	1018712-01	SCREW, MACHINE, #10 - 32 x 1	2
25	0008049	WASHER, INTERNAL TOOTH LOCK, #10	2
26	0007893	NUT, HEX, #10 - 32	2
27	1019697-01	BUTTON, HORN	1



7
G

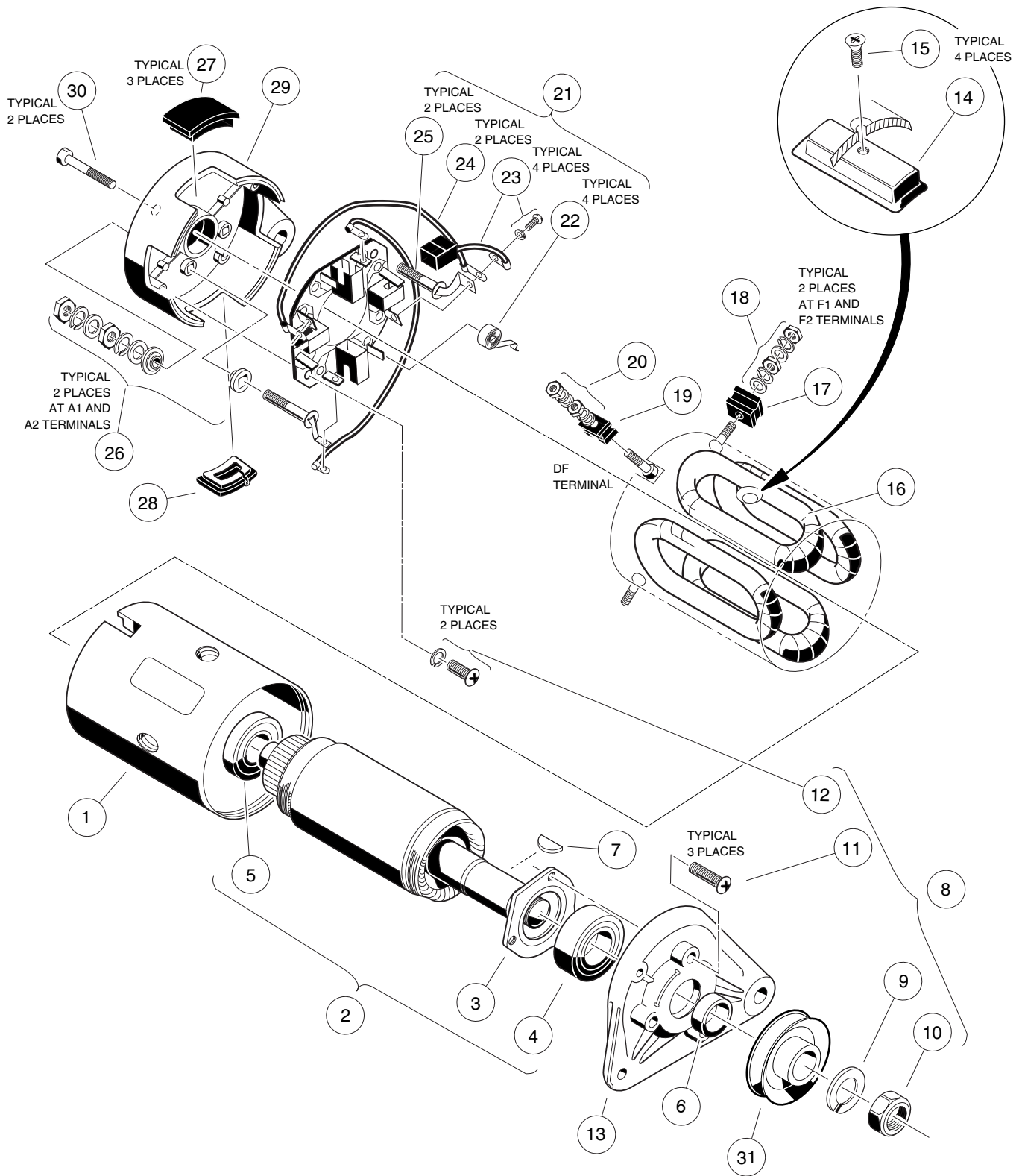


ELECTRICAL COMPONENTS, REAR BODY— GASOLINE CARRYALL VI

ITEM	PART NO.	DESCRIPTION	QTY
		1 2 3 4	
1	1016717	ASSEMBLY, TAILLIGHT (INCLUDES ITEMS 2 - 6)	2
2	N/A	HOUSING, TAILLIGHT	1
3	1011582	BULB	1
4	N/A	GASKET	1
5	N/A	LENS	1
6	N/A	SCREW, LENS	2
7	1015752	SCREW, HEX WASHER HEAD, #12 - 16 x 1/2	4
8	1016859	KIT, REVERSE BUZZER (INCLUDES ITEMS 9 - 15)	1
9	1016851	BUZZER, REVERSE	1
10	1016849	SCREW, PAN HEAD HILO, #4 - 24 x 5/16	2
11	N/A	WIRE ASSEMBLY, #18 BLACK	1
12	1015720	SCREW, HEX WASHER HEAD, #6 - 32 x 1/2	1
13	0007591	WASHER, FLAT	1
14	1011622	WASHER, LOCK, #6	1
15	1011558	NUT, HEX, #6 - 32	1

7
G

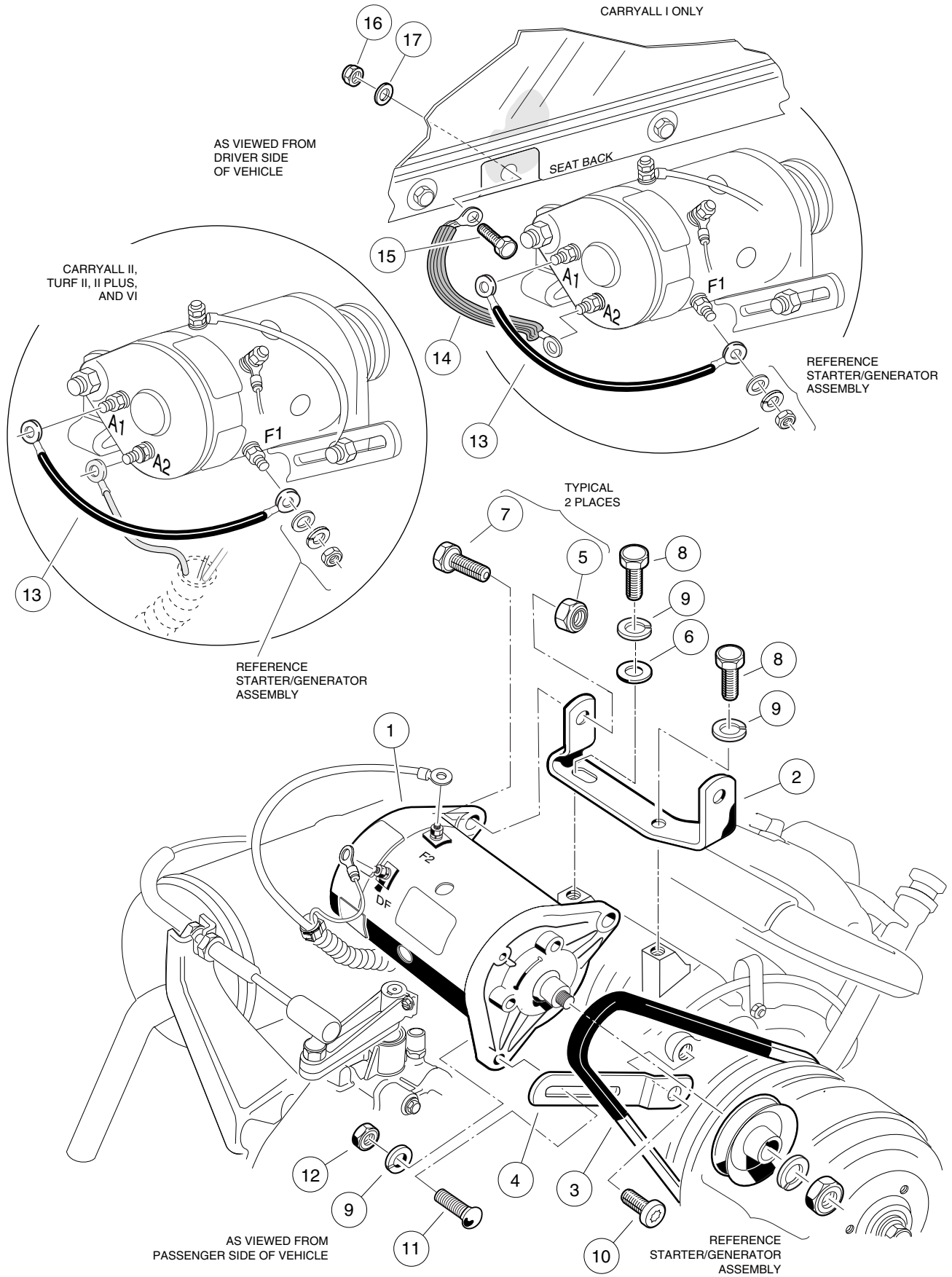
7
G



STARTER/GENERATOR ASSEMBLY

7
G

ITEM	PART NO.	DESCRIPTION	QTY
		1 2 3 4	
	1018337-01	STARTER/GENERATOR (CLOCKWISE ROTATION) (INCLUDES ITEMS 1 - 30)	1
1	1018752-01	HOUSING, FIELD COIL	1
2	1018751-01	ASSEMBLY, ARMATURE (INCLUDES ITEMS 3, 4 AND 5)	1
3	1018750-01	RETAINER, BEARING	1
4	1013001	BALL BEARING, OUTPUT SHAFT	1
5	1013005	COMMUTATOR, BALL BEARING	1
6	1019399-01	SPACER, 5/16	1
7	1013003	KEY, WOODRUFF	1
8	1018765-01	KIT, PULLEY NUT AND SCREW (INCLUDES ITEMS 9 - 12)	1
9	N/A	WASHER, LOCK, M14	1
10	N/A	NUT, HEX, M14 x 2	1
11	N/A	SCREW, CROSS - RECESSED, M5 x .8 x 18MM	3
12	1018965-01	SCREW, CROSS - RECESSED, M5 x .8 x 16MM (WITH LOCK WASHER)	2
13	1018749-01	END BELL, OUTPUT SHAFT	1
14	1018753-01	SET, POLE (SET OF 4)	1
15	1018754-01	SCREW, POLE PIECE (SET OF 4)	1
16	1018755-01	ASSEMBLY, FIELD COIL	1
17	1018756-01	SET, F INSULATOR	2
18	1018776-01	PACKAGE, TERMINAL HARDWARE (F1 AND F2)	2
19	1018757-01	SET, DF INSULATOR	1
20	1018777-01	PACKAGE, TERMINAL HARDWARE (DF)	1
21	1013011-02	HOLDER, BRUSH (INCLUDES ITEMS 22 - 25)	1
22	1018781-01	SPRING, BRUSH	4
23	1018693-02	PACKAGE, BRUSH (INCLUDES 4 BRUSHES, 4 SCREWS, 4 WASHERS)	1
24	1018762-02	ASSEMBLY, BRUSH CONNECTOR	2
25	1018758-02	A CONNECTOR (SET OF 2)	1
26	1018760-01	PACKAGE, TERMINAL HARDWARE (A1 AND A2)	2
27	1018763-01	COVER, BRUSH INSPECTION PORT (SET OF 4) (INCLUDES ITEM 28)	1
28	1017653	COVER, BRUSH INSPECTION PORT, WITH DRAIN	1
29	1018764-02	END BELL, COMMUTATOR	1
30	1018790-01	BOLT, CLAMP, M6 x 1 x 180MM	2
31	1014289	PULLEY (SILVER COLOR)	1



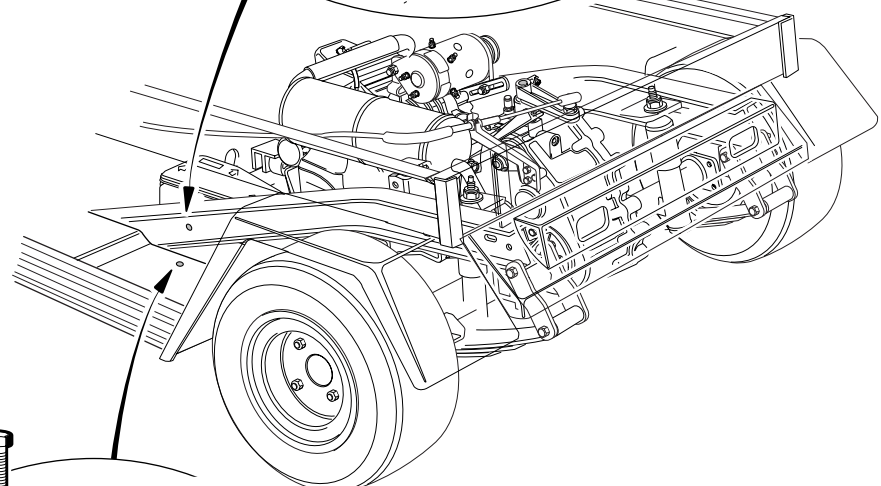
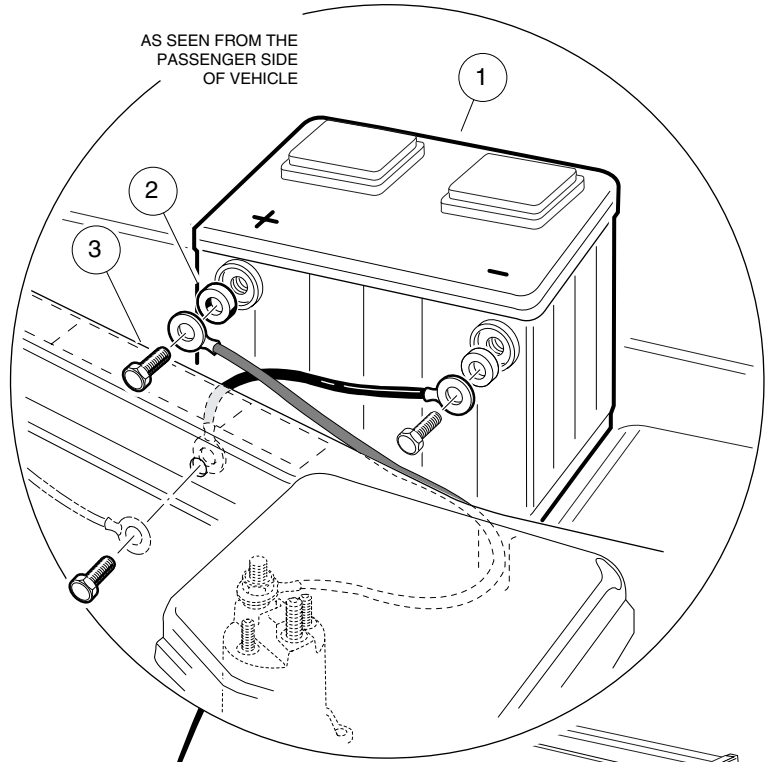
STARTER/GENERATOR MOUNTING

ITEM	PART NO.	DESCRIPTION	QTY
		1 2 3 4	
1	1018337-01	STARTER/GENERATOR	1
2	1015240-01	BRACKET, MOUNTING, FE 290 (CARRYALL I AND II).....	1
2	1015240-02	BRACKET, MOUNTING, FE 350 (CARRYALL TURF II, II PLUS, AND VI)	1
3	1019167-01	BELT	1
4	1016883	BRACKET, ADJUSTING	1
5	0008754	NUT, NYLON LOCK, 3/8 - 16	2
6	1015075	WASHER, FLAT, 5/16	1
7	0000705	BOLT, HEX HEAD, 3/8 - 16 x 1 1/4	2
8	1019035-01	SCREW, HEX HEAD CAP, M8 x 1.25 x 24MM	2
9	0007174	WASHER, LOCK, 5/16	3
10	1016074	SCREW, TORX HEAD, M8 x 1.25 x 18MM	1
11	1015932	BOLT, CARRIAGE, 5/16 - 18 x 1	1
12	0001242	NUT, HEX, 5/16 - 18	1
13	1018373-01	WIRE ASSEMBLY, #6 GREEN	1
14	1015920	WIRE ASSEMBLY, #6 BRAIDED GROUND (CARRYALL I ONLY)	1
15	0007173	SCREW, HEX HEAD CAP, 5/16 - 18 x 3/4 (CARRYALL I ONLY)	1
16	0007473	NUT, NYLON LOCK, 5/16 - 18 (CARRYALL I ONLY)	1
17	0001241	WASHER, FLAT, 5/16 (CARRYALL I ONLY)	1

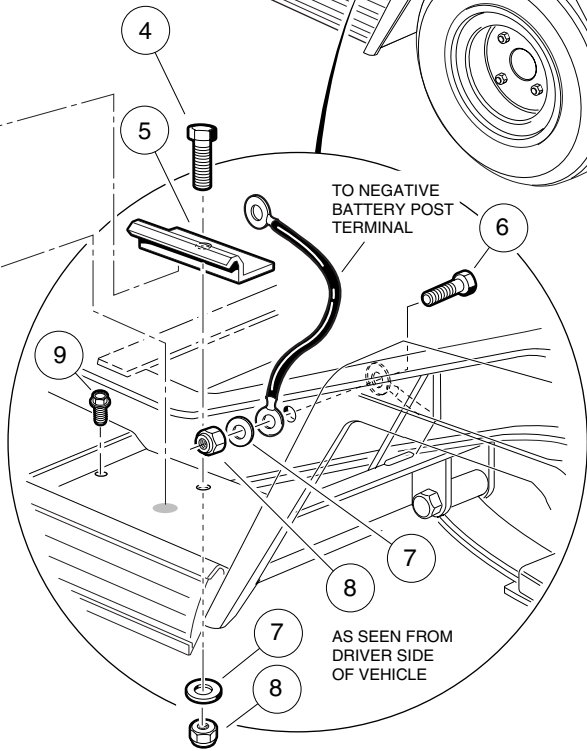


7
G

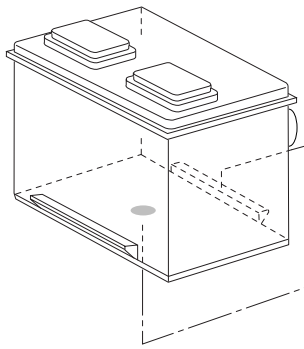
AS SEEN FROM THE PASSENGER SIDE OF VEHICLE



TO NEGATIVE BATTERY POST TERMINAL



AS SEEN FROM DRIVER SIDE OF VEHICLE



BATTERY—GASOLINE VEHICLE

ITEM	PART NO.	DESCRIPTION	QTY
		1 2 3 4	
1	1012328	BATTERY, 12 VOLT	1
2	1014374	SPACER, BATTERY TERMINAL BOLT	2
3	1014375	SCREW, HEX HEAD CAP, STAINLESS STEEL, 3/8 - 16 x 1/2	2
4	1010934	BOLT, HEX HEAD, 5/16 - 18 x 1	1
5	1018980-01	CLAMP, BATTERY	1
6	0007173	SCREW, HEX CAP, 5/16 - 18 x 3/4	1
7	0001241	WASHER, FLAT, 5/16	2
8	0007473	NUT, NYLON LOCK, 5/16 - 18	2
9	1014288	SCREW, THREAD-FORMING, 5/16 - 16 x 3/4	1



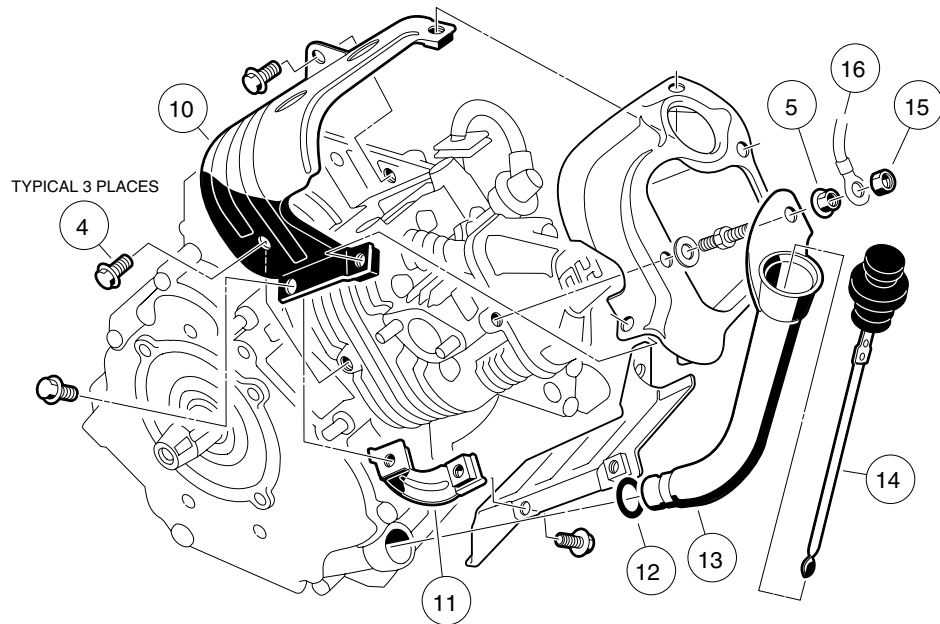
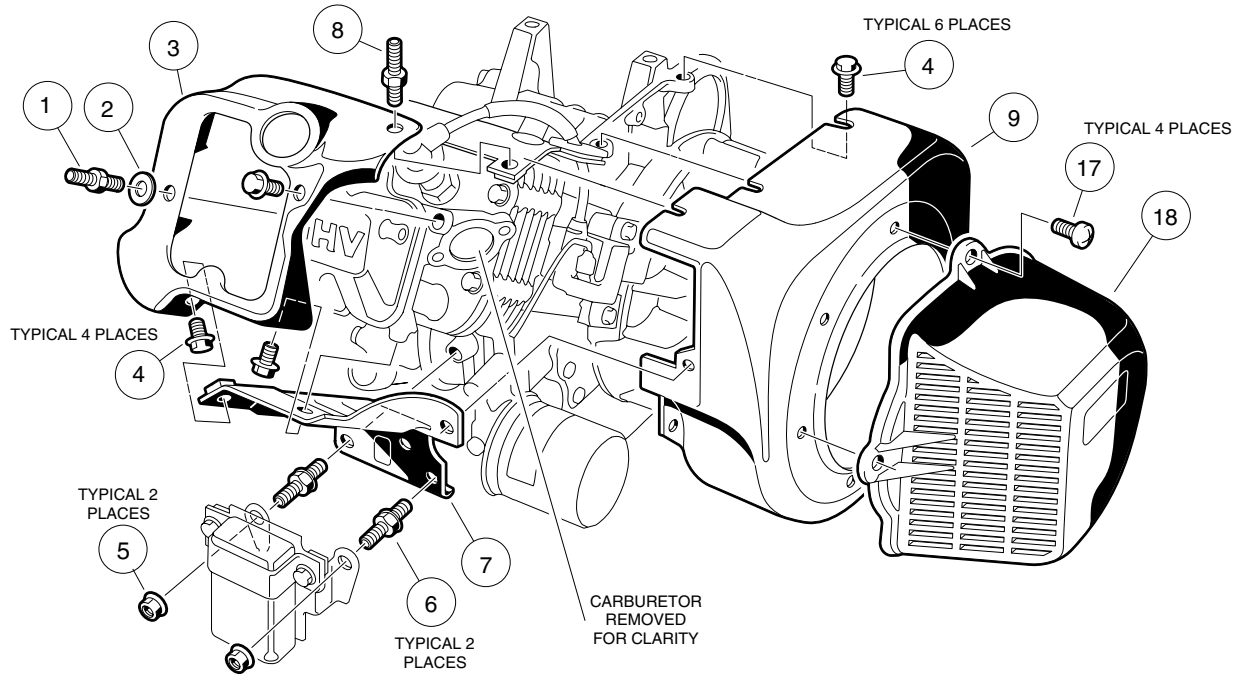
7
G

ENGINE

8

G

FE 290 ENGINE

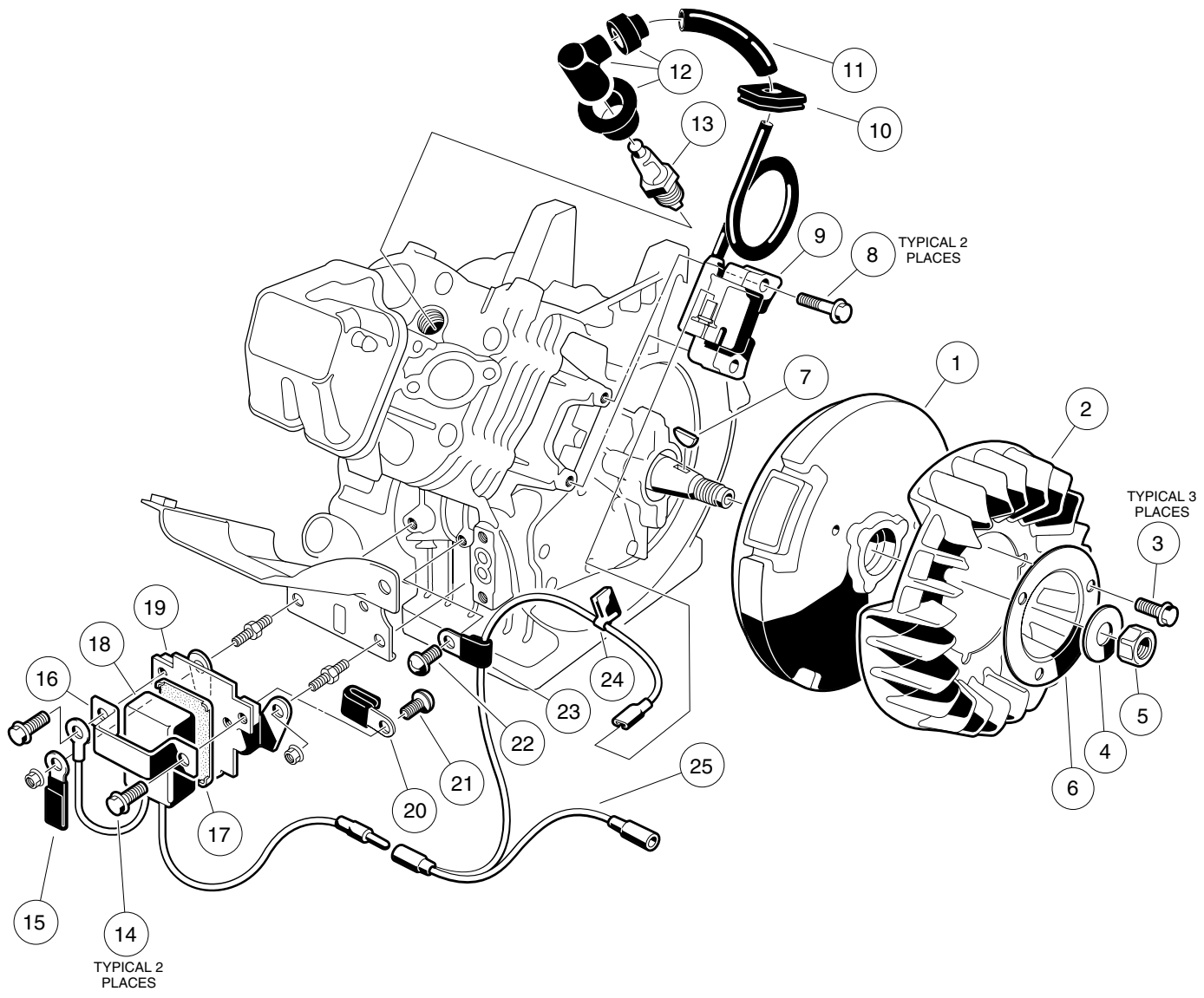


FE 290 ENGINE— CARRYALL I AND II

8
G

ITEM	PART NO.	DESCRIPTION	QTY
		1 2 3 4	
	1019539-01	FE 290 OHV GASOLINE ENGINE (CLOCKWISE ROTATION) WITH CARBURETOR (DOES NOT INCLUDE ITEMS 15 THROUGH 18)	1
1	1016507	BOLT, 2-ENDED, M6 x 1 x 29MM	1
2	1016512	WASHER, FLAT, 6MM	1
3	1016524	SHROUD, ENGINE, FE 290	1
4	1016456	BOLT, FLANGED, M6 x 1 x 12MM	15
5	1016547	NUT, FLANGE, M6 x 1	3
6	1019097-01	BOLT, 2-ENDED, M6 x 1 x 27MM	1
7	1016526	SHROUD, ENGINE, FE 290 (LOWER)	1
8	1017221	BOLT, 2-ENDED, M6 x 1 x 46MM	1
9	1019156-01	HOUSING, FAN	1
10	1016525	SHROUD, ENGINE, FE 290 (UPPER)	1
11	1016443	BRACKET	1
12	1016539	O-RING	1
13	1016536	TUBE, OIL FILLER, FE 290	1
14	1016531	DIPSTICK	1
15	1011114	NUT, M6 x1	1
16	1015332	WIRE ASSEMBLY, #10 BRAIDED GROUND	1
17	1015969	SCREW, PAN HEAD, M6 x 1 x 14MM	4
18	1015649	SHROUD, FAN	1

FE 290 ENGINE

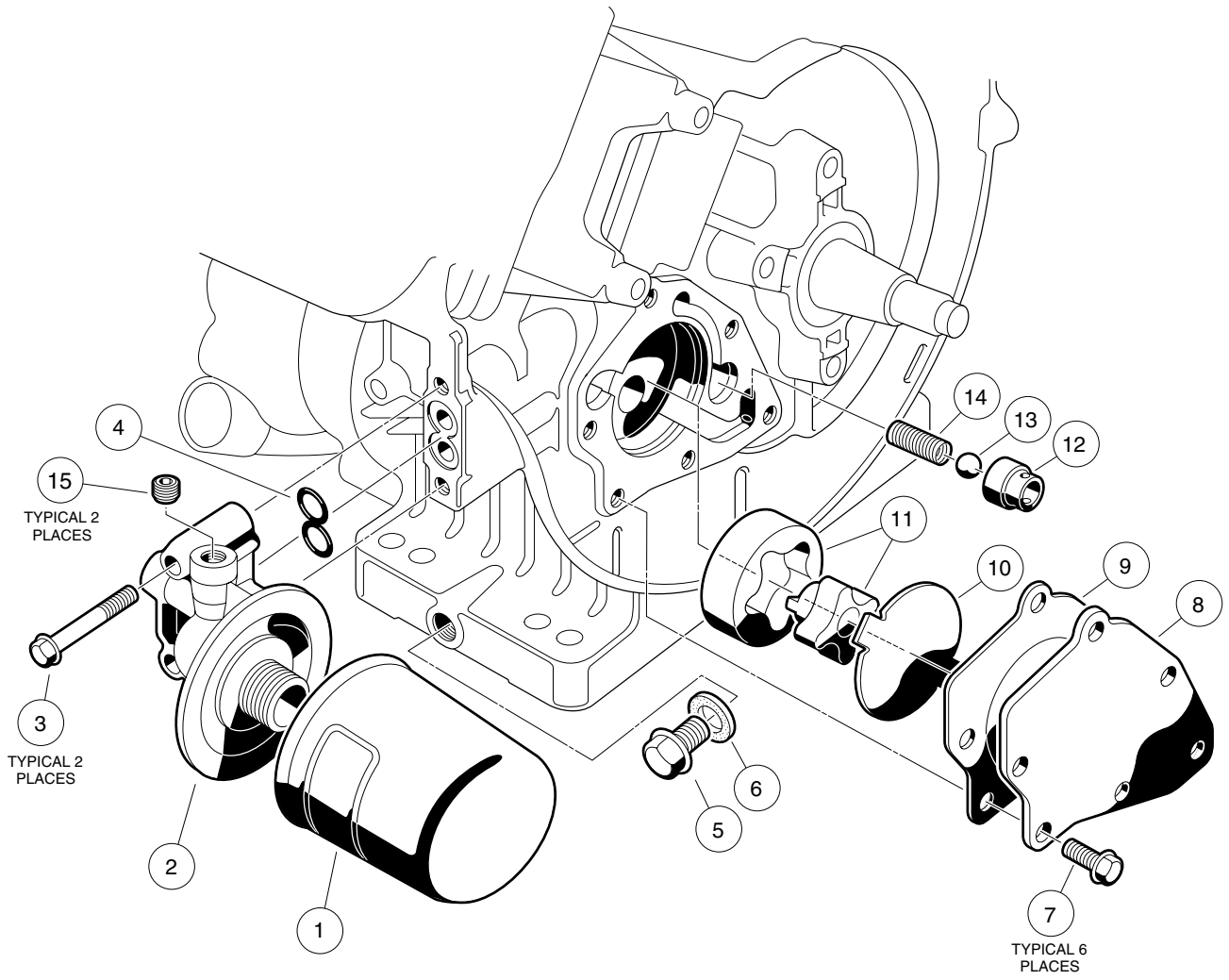


FE 290 ENGINE— CARRYALL I AND II

ITEM	PART NO.	DESCRIPTION	QTY
		1 2 3 4	
1	1019157-01	FLYWHEEL	1
2	1019158-01	FAN, FLYWHEEL, GREY	1
3	1017448	SCREW, FLANGED HEX HEAD, M6 x 1 x 10MM	3
4	1016548	WASHER, FLAT, 16MM	1
5	1016505	NUT, HEX, M16 x 2	1
6	1017455	PLATE, FLYWHEEL FAN	1
7	1016562	KEY	1
8	1016455	BOLT, FLANGED, M5 x .8 x 25MM	2
9	1019092-01	COIL, IGNITION (WITH INTERNAL IGNITER)	1
10	1016578	GROMMET	1
11	1016588	TUBE, 7MM x 70MM	1
12	1016493	ASSEMBLY, PLUG CAP	1
13	1018811-01	SPARK PLUG	1
14	1016456	BOLT, FLANGED, M6 x 1 x 12MM	2
15	1012981	CLAMP	1
16	1016579	MOUNT, RPM LIMITER	1
17	1016586	DAMPER, RPM LIMITER	1
18	1019094-01	LIMITER, RPM - OHV	1
19	1016445	BRACKET, RPM LIMITER	1
20	1019095-01	CLAMP	1
21	1016497	SCREW, CROSS PAN HEAD, M5 x .8 x 8MM	1
22	1016544	SCREW, CROSS PAN HEAD SELF-TAPPING, M5 x .8 x 12MM	1
23	1016561	CLAMP	1
24	1016587	CLAMP	1
25	1019093-01	WIRE, LEAD	1



FE 290 ENGINE



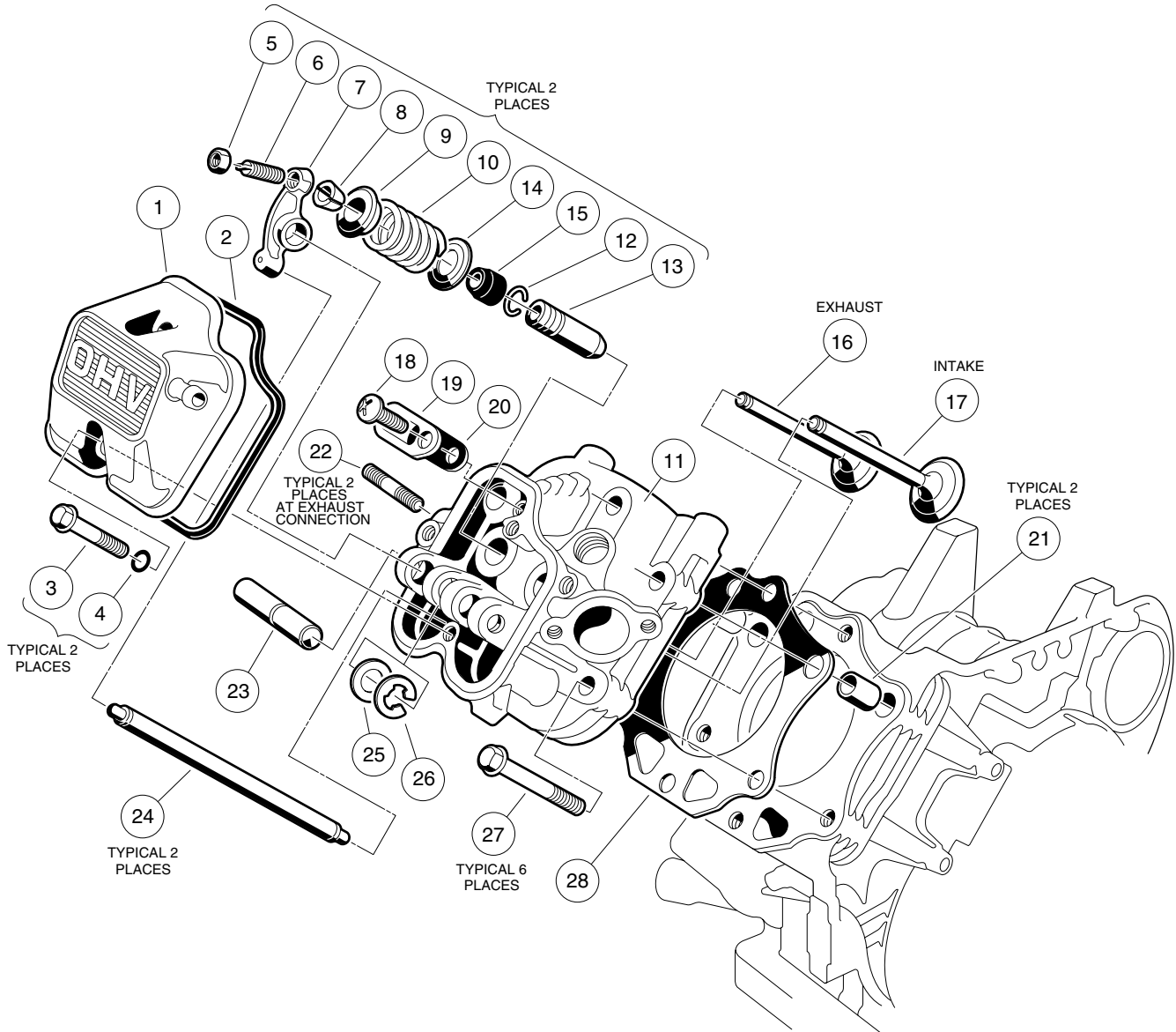
FE 290 ENGINE— CARRYALL I AND II

ITEM	PART NO.	DESCRIPTION	QTY
		1 2 3 4	
1	1016467	ASSEMBLY, OIL FILTER, OHV	1
2	1016502	BRACKET, OIL FILTER	1
3	1016457	BOLT, FLANGED HEX HEAD, M6 x 1 x 40MM	2
4	1016570	O-RING, OIL FILTER MOUNT	1
5	1016576	PLUG, DRAIN, FE 290	1
6	1016432	GASKET, DRAIN PLUG	1
7	1017456	SCREW, FLANGED HEX HEAD, M6 x 1 x 12MM	6
8	1016484	COVER, PUMP	1
9	1016435	GASKET, OIL PUMP	1
10	1016473	PLATE, OIL PUMP	1
11	1016482-03	PUMP, OIL, AND ROTOR	1
12	1016429	SEAT, VALVE	1
13	1016537	BALL, STEEL, PRESSURE RELIEF	1
14	1016581	SPRING	1
15	1017507	PLUG	2

8

G

FE 290 ENGINE

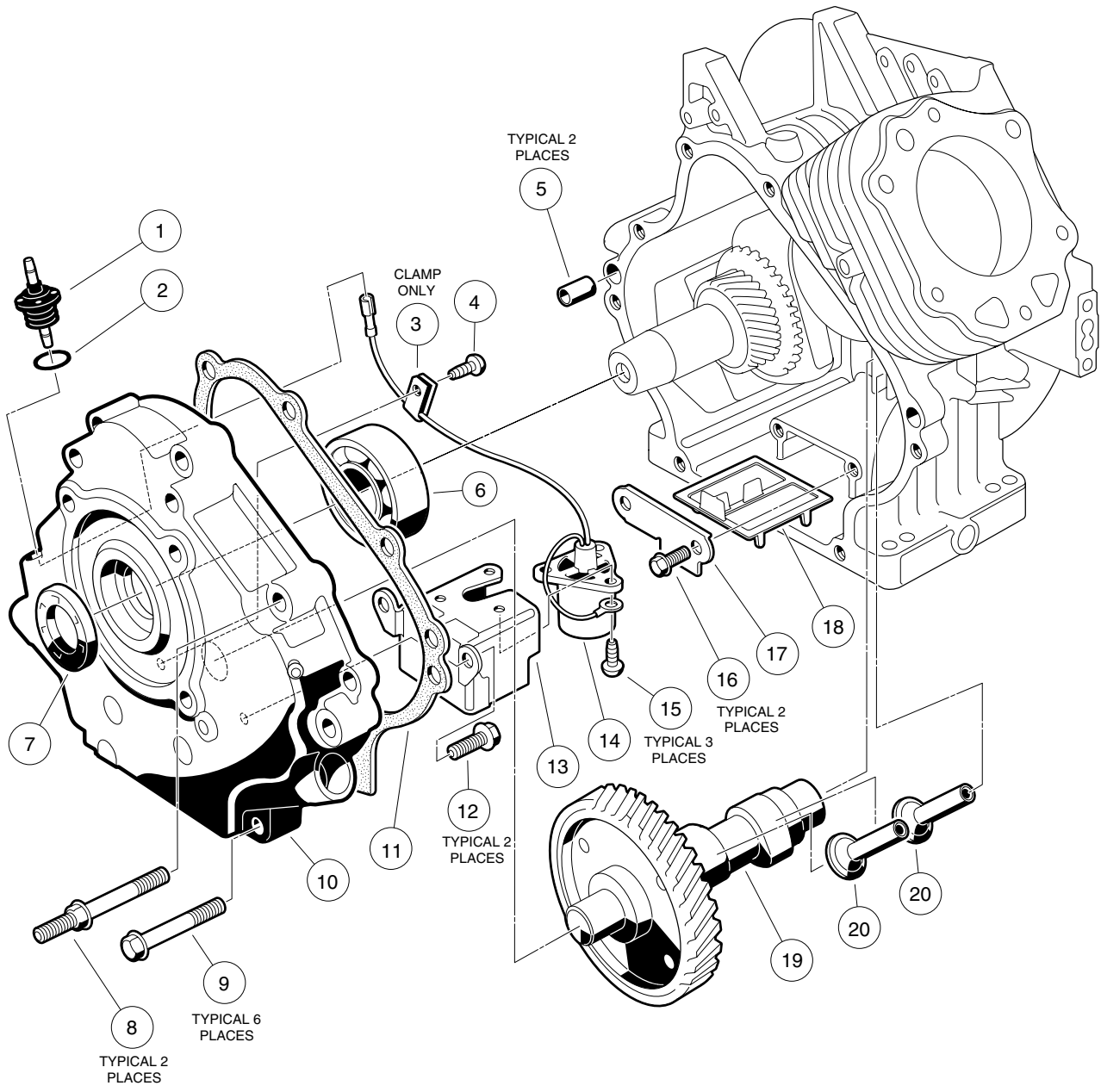


FE 290 ENGINE— CARRYALL I AND II

ITEM	PART NO.	DESCRIPTION	QTY
		1 2 3 4	
1	1016442	CASE, ROCKER	1
2	1016436	GASKET, ROCKER CASE	1
3	1016583	BOLT, FLANGED, M6 x 1 x 35MM	2
4	1016569	O-RING	2
5	1016545	NUT, HEX, M5 x .8	2
6	1016542	SCREW, STUD, M5 x .8	2
7	1016451	ARM, ROCKER	2
8	1016450	COLLET	2
9	1016449	RETAINER, VALVE SPRING	2
10	1016523	SPRING, ENGINE VALVE	2
11	1016431	ASSEMBLY, CYLINDER HEAD, OHV (INCLUDES ITEMS 12 AND 13)	1
12	1016560	RING, SNAP	2
13	1016519	GUIDE, VALVE	2
14	1016479	SEAT, SPRING	2
15	1016566	SEAL, VALVE	2
16	1016448	VALVE, EXHAUST	1
17	1016447	VALVE, INTAKE	1
18	1016544	SCREW, CROSS PAN HEAD SELF-TAPPING, M5 x .8 x 12MM	1
19	1016474	PLATE	1
20	1016483	VALVE	1
21	1016563	PIN	2
22	1016489	BOLT, STUD, M8 x 1.25 x 29MM	2
23	1016452	SHAFT, ROCKER	1
24	1016471	ROD, PUSH	2
25	1016549	WASHER, FLAT, M12	1
26	1016517	CIRCLIP, TYPE E	1
27	1016458	BOLT, FLANGED, M8 x 1.25 x 45MM	6
28	1016430	GASKET, HEAD	1

8
G

FE 290 ENGINE

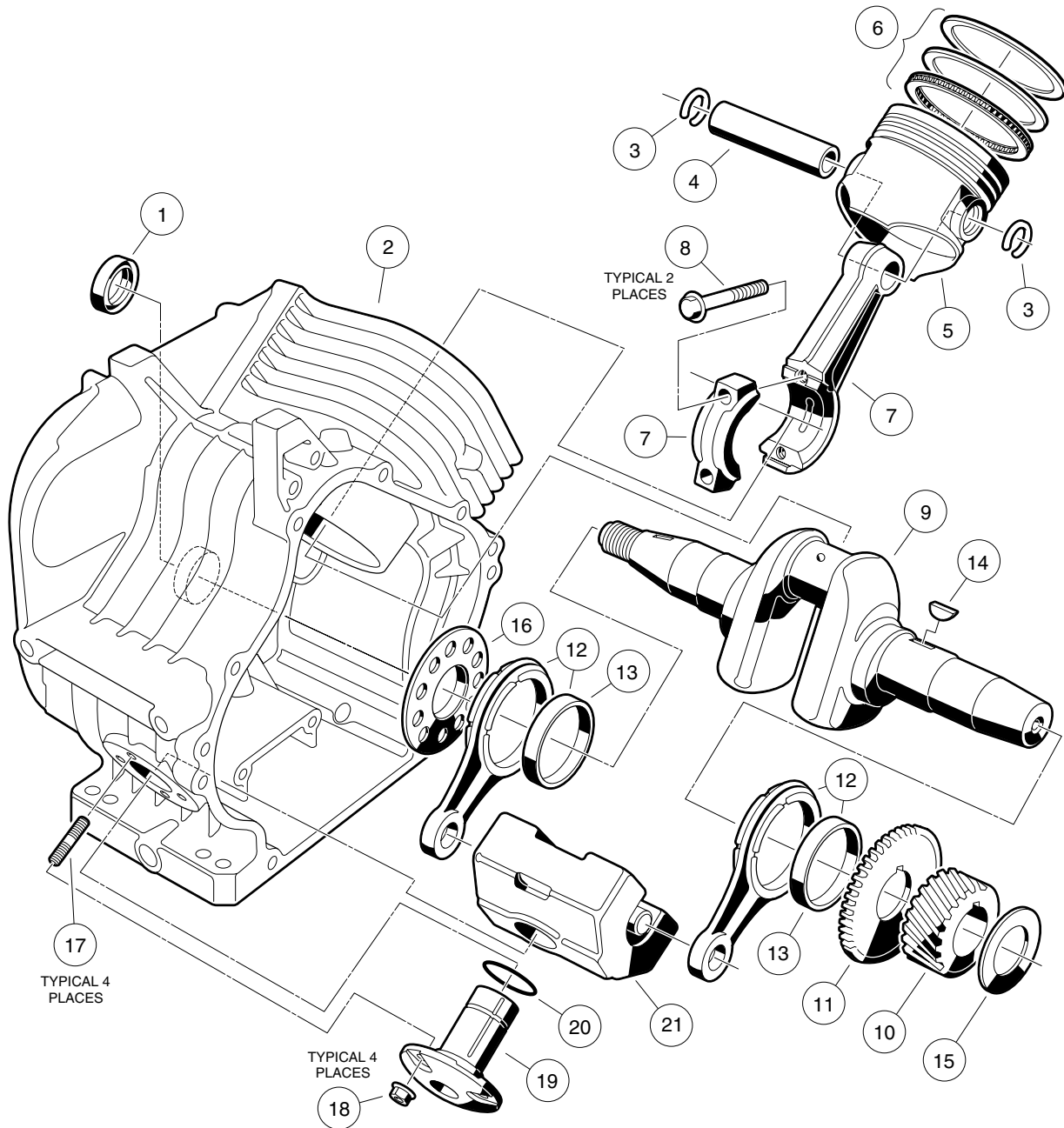


FE 290 ENGINE— CARRYALL I AND II

ITEM	PART NO.	DESCRIPTION	QTY
		1 2 3 4	
1	1016535	CONNECTOR, CORD	1
2	1016538	O-RING	1
3	1016506	CLAMP	1
4	1016544	SCREW, CROSS PAN HEAD SELF-TAPPING, M5 x .8 x 12MM	1
5	1016564	PIN	2
6	1016565	BEARING, BALL	1
7	1016567	SEAL, CRANKSHAFT	1
8	1016584	BOLT, 2-ENDED, M8 x 1.25 x 69MM	2
9	1016458	BOLT, FLANGED, M8 x 1.25 x 45MM	6
10	1016520	COVER, CRANKCASE	1
11	1016446	GASKET, CRANKCASE COVER	1
12	1016456	BOLT, FLANGED, M6 x 1 x 12MM	2
13	1016510	BRACKET, OIL LEVEL SWITCH	1
14	1016494	SENSOR, OIL LEVEL	1
15	1016496	SCREW, CROSS PAN HEAD, M4 x .7 x 8MM	3
16	1016454	BOLT, FLANGED, M5 x .8 x 8MM	2
17	1016472	PLATE, OIL FILTER SCREEN	1
18	1016521	SCREEN, OIL FILTER	1
19	1019154-01	CAMSHAFT, COMPLETE	1
20	1016453	TAPPET	2



FE 290 ENGINE

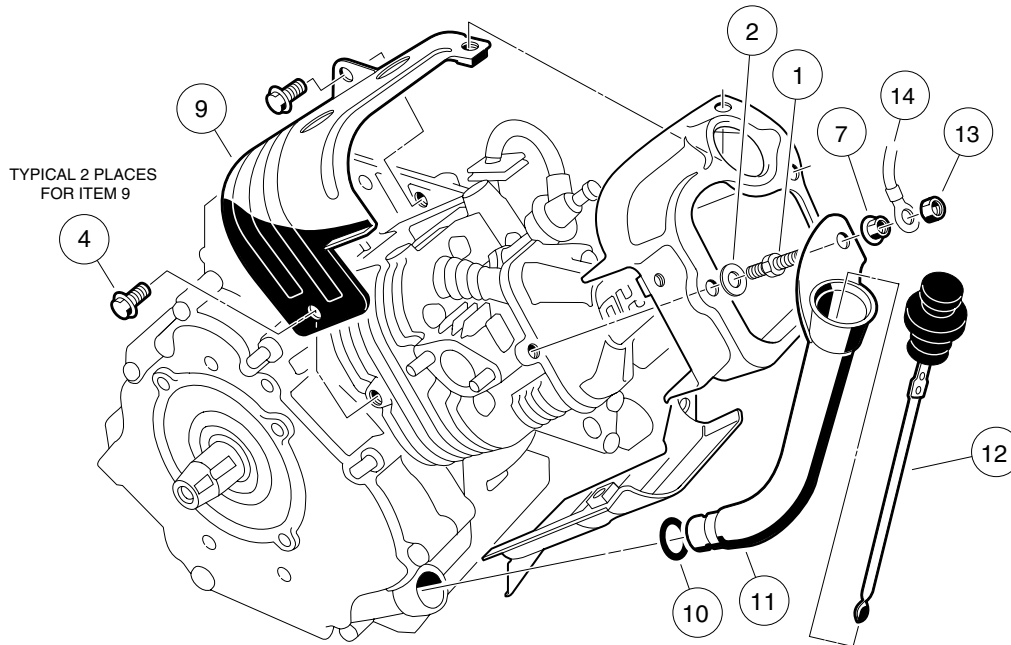
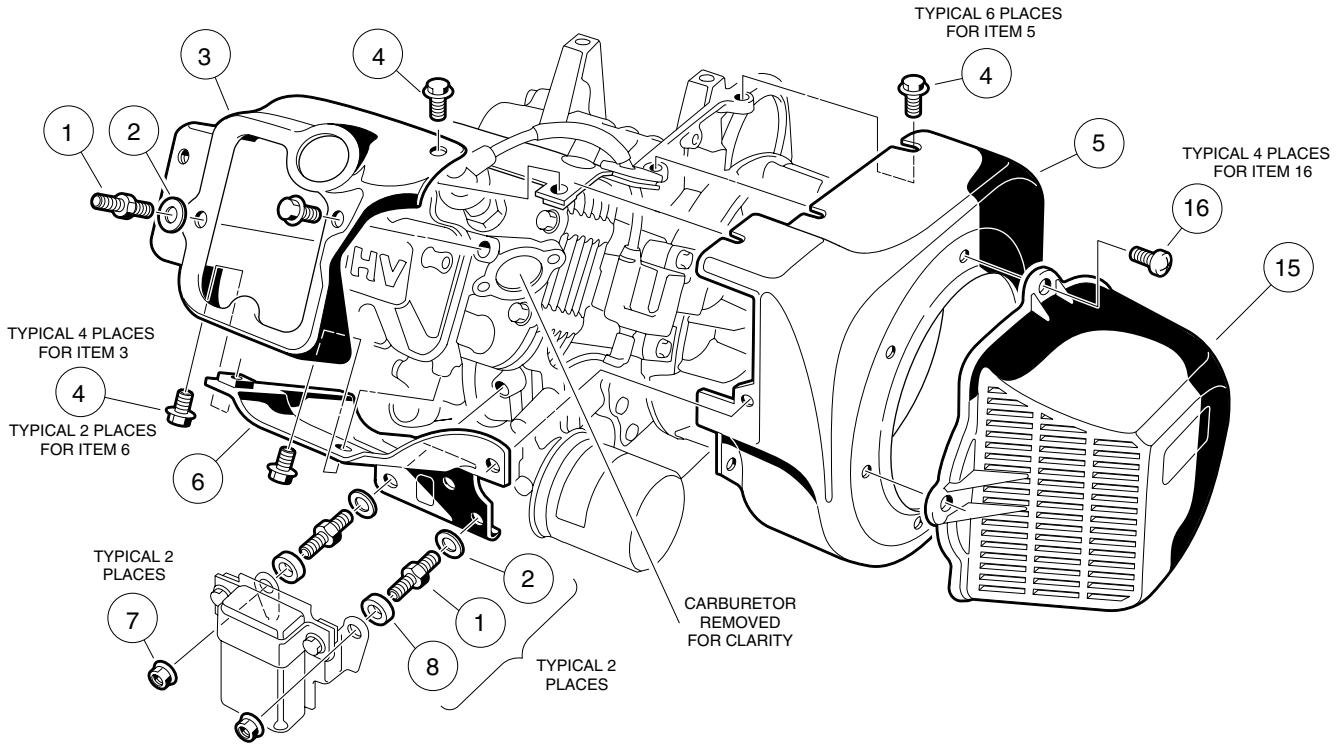


FE 290 ENGINE— CARRYALL I AND II

8
G

ITEM	PART NO.	DESCRIPTION	QTY
		1 2 3 4	
1	1016568	SEAL, OIL	1
2	1019155-01	CRANKCASE, COMPLETE, OHV	1
3	1016558	RING, SNAP	2
4	1016460	PIN, PISTON	1
5	1016459-01	PISTON, STANDARD	1
5	1016459-02	PISTON, .25MM OVERSIZED	1
5	1016459-03	PISTON, .50MM OVERSIZED	1
6	1016461-01	RING SET, PISTON, STANDARD	1
6	1016461-02	RING SET, PISTON, .25MM OVERSIZED	1
6	1016461-03	RING SET, PISTON, .50MM OVERSIZED	1
7	1016475-01	ASSEMBLY, CONNECTING ROD, STANDARD (INCLUDES 2 EACH OF ITEM 8)	1
7	1016475-02	ASSEMBLY, CONNECTING ROD, .50MM UNDERSIZED (INCLUDES 2 EACH OF ITEM 8)	1
8	1016509	BOLT, HEX HEAD, M7 x 1 x 36MM	2
9	1019223-01	CRANKSHAFT, OHV (INCLUDES ITEMS 10, 11 AND ONE EACH OF ITEM 12)	1
10	1016533	GEAR, HELICAL	1
11	1016532	GEAR, SPUR	1
12	1016516	ASSEMBLY, CONNECTING ROD (INCLUDES ONE EACH OF ITEM 13)	2
13	1016580	BEARING, PLAIN	2
14	1016562	KEY	1
15	1016550-01	SHIM, CRANKSHAFT, 1.13MM THICK	A/R
15	1016550-02	SHIM, CRANKSHAFT, 1.18MM THICK	A/R
15	1016550-03	SHIM, CRANKSHAFT, 1.23MM THICK	A/R
15	1016550-04	SHIM, CRANKSHAFT, 1.28MM THICK	A/R
15	1016550-05	SHIM, CRANKSHAFT, 1.33MM THICK	A/R
15	1016550-06	SHIM, CRANKSHAFT, 1.38MM THICK	A/R
15	1016550-07	SHIM, CRANKSHAFT, 1.43MM THICK	A/R
15	1016550-08	SHIM, CRANKSHAFT, 1.48MM THICK	A/R
15	1016550-09	SHIM, CRANKSHAFT, 1.53MM THICK	A/R
16	1016559	SPACER	1
17	1016541	BOLT, STUD, M6 x 1 x 22MM	4
18	1016547	NUT, FLANGED, M6 x 1	4
19	1016470	SHAFT, GUIDE COUNTERBALANCE	1
20	1016571	O-RING	1
21	1016469	WEIGHT, COUNTERBALANCE	1

FE 350 ENGINE

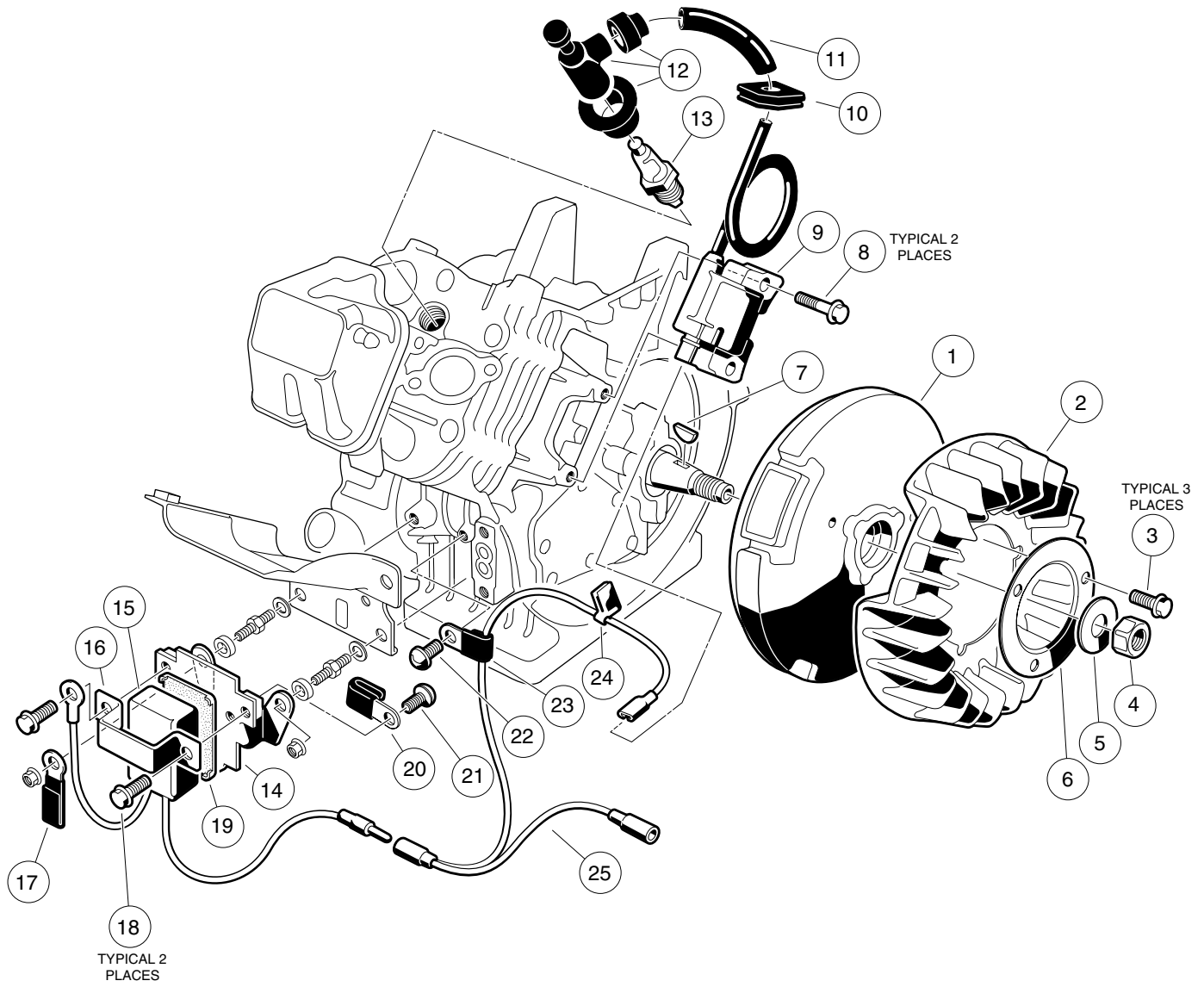


FE 350 ENGINE— CARRYALL TURF II, II PLUS AND VI

ITEM	PART NO.	DESCRIPTION	QTY
		1 2 3 4	
	1019538-01	FE 350 OHV GASOLINE ENGINE, COMPLETE (CLOCKWISE ROTATION) WITH CARBURETOR (WITH COMPRESSION RELEASE) (CARRYALL II PLUS AND VI) (DOES NOT INCLUDE ITEMS 13 - 16).....	1
	1019538-02	FE 350 OHV GASOLINE ENGINE, COMPLETE (CLOCKWISE ROTATION) WITH CARBURETOR (WITHOUT COMPRESSION RELEASE) (CARRYALL TURF II) (DOES NOT INCLUDE ITEMS 13 - 16)	1
1	1016507	BOLT, 2-ENDED, M6 x 1 x 29MM	3
2	1016512	WASHER, FLAT, 6 MM	3
3	1017474	SHROUD, CYLINDER HEAD	1
4	1016456	BOLT, FLANGED, M6 x 1 x 12MM	14
5	1019161-01	HOUSING, FAN	1
6	1017476	SHROUD, LOWER CYLINDER	1
7	1016547	NUT, FLANGE, M6 x 1	3
8	1017500	SPACER	2
9	1017475	SHROUD, UPPER CYLINDER	1
10	1016539	O-RING	1
11	1017486	TUBE, OIL FILLER	1
12	1016531	DIPSTICK	1
13	1011114	NUT, M6 x 1	1
14	1015332	WIRE ASSEMBLY, #10 BLACK	1
15	1015649	SHROUD, FAN	1
16	1015969	SCREW, PAN HEAD, M6 x 1 x 14 MM	4



FE 350 ENGINE

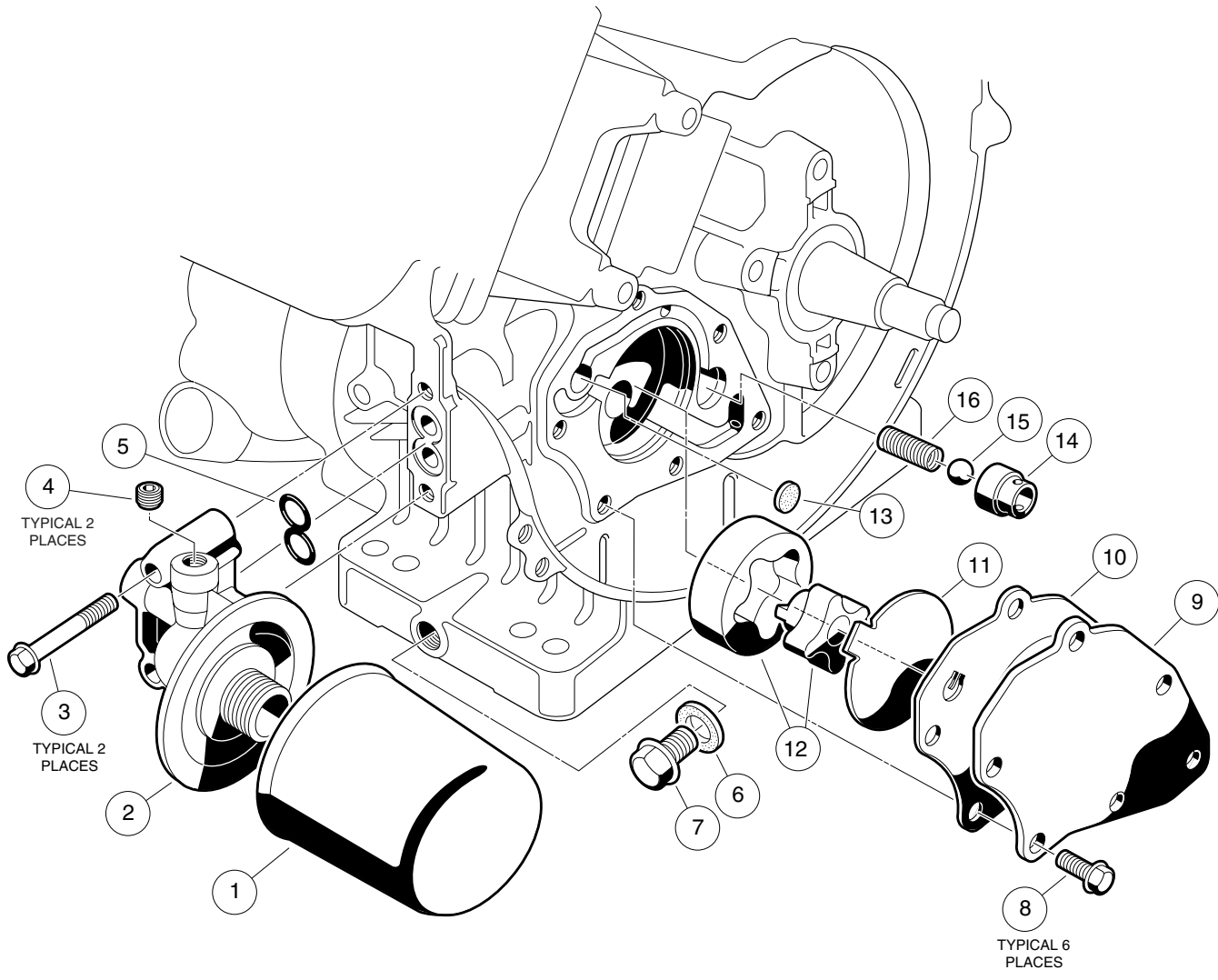


FE 350 ENGINE— CARRYALL TURF II, II PLUS AND VI

ITEM	PART NO.	DESCRIPTION	QTY
		1 2 3 4	
1	1019162-01	FLYWHEEL	1
2	1019163-01	FAN, FLYWHEEL—GREY	1
3	1017448	SCREW, FLANGED HEX HEAD, M6 x 1 x 10MM	3
4	1017467	NUT, HEX, 18MM FINE	1
5	1017490	WASHER, FLAT, 18MM	1
6	1017455	PLATE, FLYWHEEL FAN	1
7	1016562	KEY	1
8	1016455	SCREW, HEX HEAD FLANGED, M5 x 0.8 x 25MM	2
9	1019092-01	COIL, IGNITION (WITH INTERNAL IGNITER)	1
10	1016578	GROMMET	1
11	1016588	TUBE, 7MM I.D. x 10MM O.D. x 70MM LG.	1
12	1017463	ASSEMBLY, PLUG CAP	1
13	1018811-01	PLUG, SPARK	1
14	1016445	BRACKET, RPM LIMITER	1
15	1019094-01	LIMITER, RPM	1
16	1016579	BAND, RPM LIMITER MOUNT	1
17	1012981	CLAMP	1
18	1016456	SCREW, FLANGED HEX HEAD, M6 x 1 x 12MM	2
19	1016586	DAMPER	1
20	1019095-01	CLAMP	1
21	1016497	SCREW, CROSS PAN HEAD, M5 x .08 x 8MM	1
22	1016544	SCREW, CROSS PAN HEAD SELF-TAPPING, M5 x 12MM	1
23	1016561	CLAMP	1
24	1016587	CLAMP	1
25	1019093-01	WIRE, LEAD	1



FE 350 ENGINE

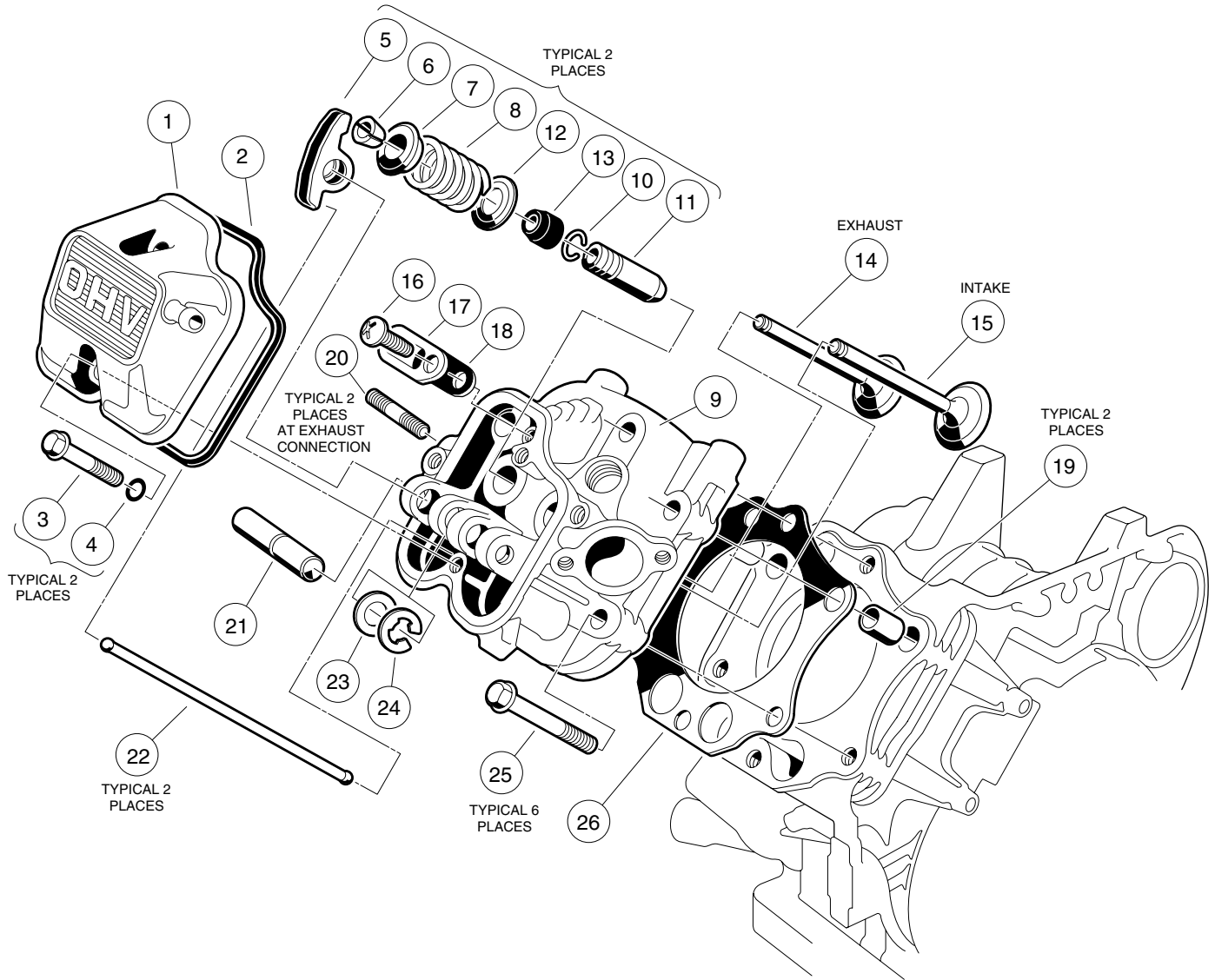


FE 350 ENGINE— CARRYALL TURF II, II PLUS AND VI

ITEM	PART NO.	DESCRIPTION	QTY
		1 2 3 4	
1	1016467	OIL FILTER	1
2	1016502	BRACKET, OIL FILTER	1
3	1016457	BOLT, FLANGED HEX HEAD, M6 x 1 x 40MM	2
4	1017507	PLUG	2
5	1016570	O-RING	1
6	1016432	GASKET, DRAIN PLUG	1
7	1016576	PLUG, DRAIN	1
8	1017456	SCREW, FLANGED HEX HEAD, M6 x 1 x 12MM	6
9	1017460	COVER, PUMP	1
10	1017442	GASKET, OIL PUMP	1
11	1016473	PLATE, OIL PUMP	1
12	1016482-03	PUMP, OIL, AND ROTOR	1
13	1017458	FILTER	1
14	1016429	SEAT, VALVE	1
15	1016537	BALL, STEEL, PRESSURE RELIEF	1
16	1016581	SPRING	1



FE 350 ENGINE

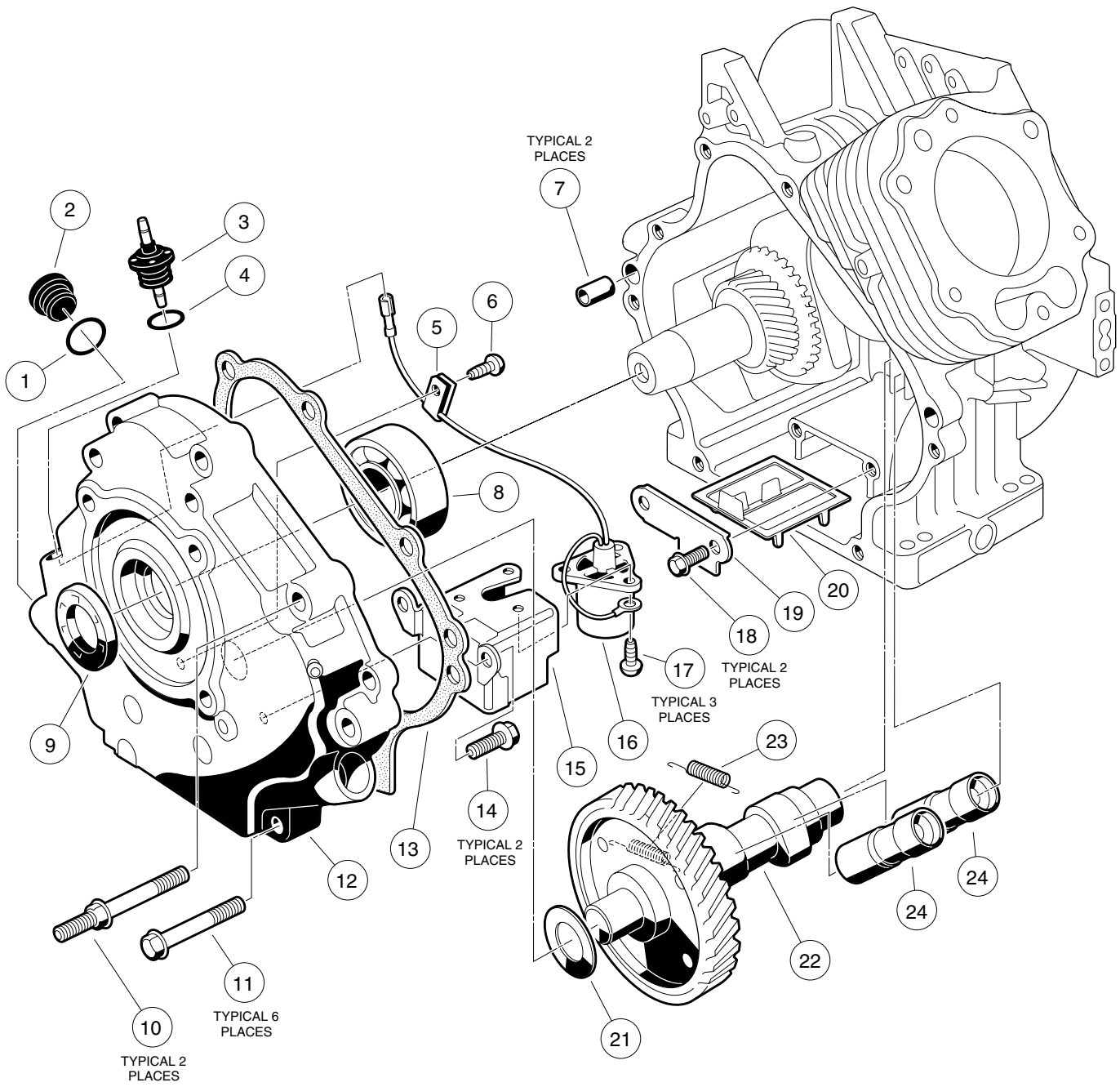


FE 350 ENGINE— CARRYALL TURF II, II PLUS AND VI

ITEM	PART NO.	DESCRIPTION	QTY
		1 2 3 4	
1	1016442	CASE, ROCKER	1
2	1016436	GASKET, ROCKER CASE	1
3	1016583	BOLT, FLANGED, M6 x 1 x 35MM	2
4	1016569	O-RING	2
5	1017446	ARM, ROCKER	2
6	1016450	COLLET	4
7	1016449	RETAINER, VALVE SPRING	2
8	1017473	SPRING, ENGINE VALVE	2
9	1017435	ASSEMBLY, CYLINDER HEAD, FE 350 (INCLUDES ITEMS 10 AND 11)	1
10	1016560	RING, SNAP	2
11	1016519	GUIDE, VALVE	2
12	1016479	SEAT, SPRING	2
13	1016566	SEAL, VALVE	2
14	1017445	VALVE, EXHAUST	1
15	1017444	VALVE, INTAKE	1
16	1016544	SCREW, CROSS PAN HEAD SELF-TAPPING, M5 x .8 x 12MM	1
17	1016474	PLATE	1
18	1016483	VALVE	1
19	1016563	PIN	2
20	1016489	BOLT, STUD, M8 x 1.25 x 29MM	2
21	1016452	SHAFT, ROCKER	1
22	1017454	ROD, PUSH	2
23	1016549	WASHER, FLAT, M12	1
24	1016517	CIRCLIP, TYPE-E	1
25	1016458	BOLT, FLANGED, M8 x 1.25 x 45MM	6
26	1017434	GASKET, HEAD	1



FE 350 ENGINE

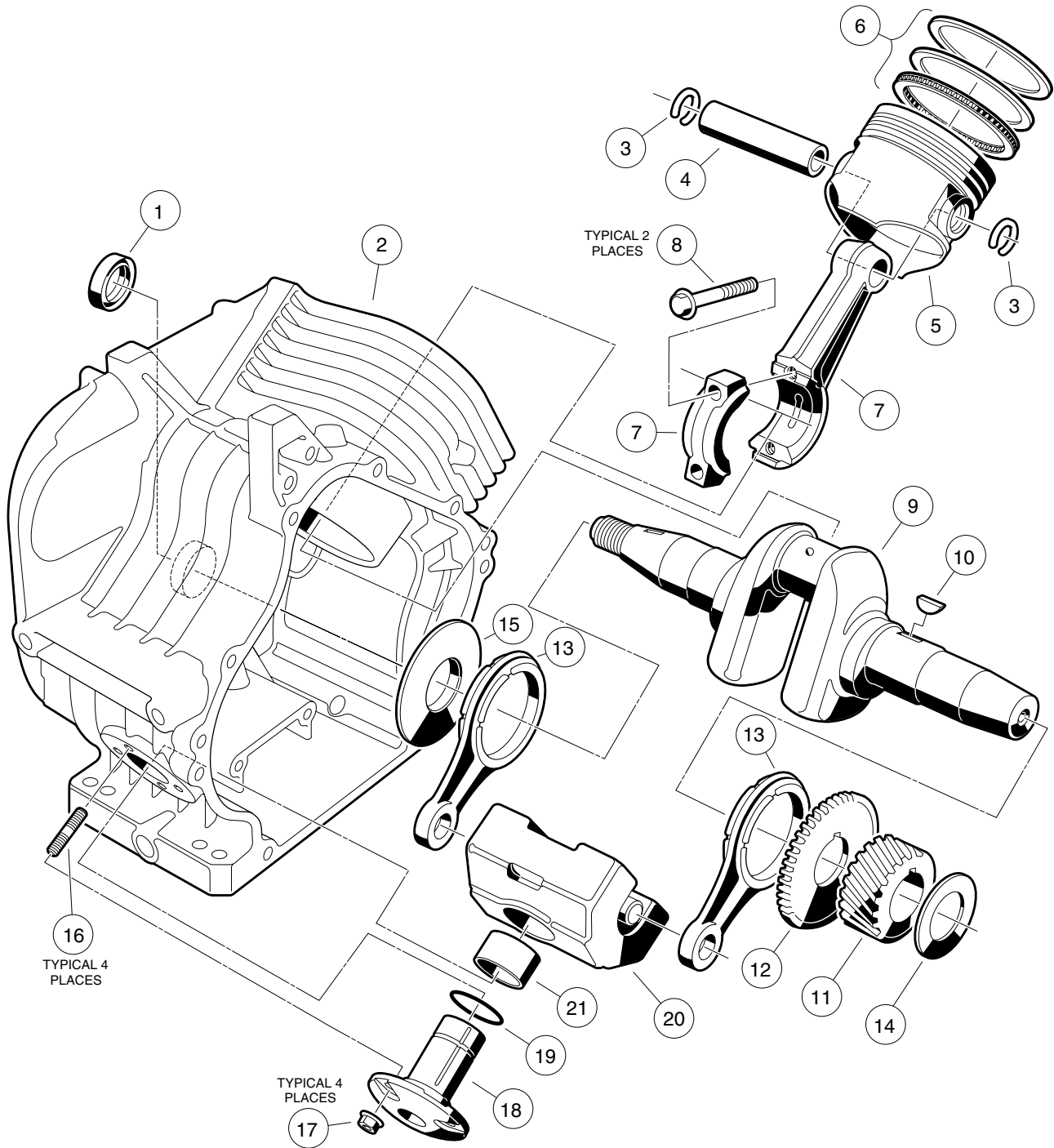


FE 350 ENGINE— CARRYALL TURF II, II PLUS AND VI

ITEM	PART NO.	DESCRIPTION	QTY
		1 2 3 4	
1	1016538	O-RING	1
2	1017508	PLUG	1
3	1016535	CONNECTOR, OIL SENDING UNIT	1
4	1016538	O-RING	1
5	1016506	CLAMP	1
6	1016544	SCREW, CROSS PAN HEAD SELF-TAPPING, M5 x .8 x 12MM	1
7	1016564	PIN	2
8	1017487	BEARING, CRANKSHAFT	1
9	1017504	SEAL, CRANKSHAFT	1
10	1016584	BOLT, 2-ENDED FLANGED, M8 x 1.25 x 69MM	2
11	1017514	BOLT, FLANGED, M8 x 1.25 x 45MM	6
12	1017472	COVER, CRANKCASE	1
13	1017443	GASKET, CRANKCASE COVER	1
14	1017513	BOLT, FLANGED, M6 x 1 x 12MM	2
15	1016510	BRACKET, OIL LEVEL SWITCH	1
16	1016494	SENSOR, OIL LEVEL	1
17	1016496	SCREW, CROSS PAN HEAD, M4 x .7 x 8MM	3
18	1016454	BOLT, FLANGED, M5 x .8 x 8MM	2
19	1016472	PLATE, OIL FILTER SCREEN	1
20	1016521	SCREEN, OIL FILTER	1
21	1017518-01	SHIM, 0.3MM THICK	A/R
21	1017518-02	SHIM, 0.4MM THICK	A/R
21	1017518-03	SHIM, 0.5MM THICK	A/R
22	1019476-01	CAMSHAFT (WITHOUT COMPRESSION RELEASE) (CARRYALL TURF II ONLY)	1
22	1019159-01	CAMSHAFT (INCLUDES ITEM 23) (CARRYALL II PLUS AND VI)	1
23	1017511	SPRING	1
24	1017447	LIFTER, HYDRAULIC	2



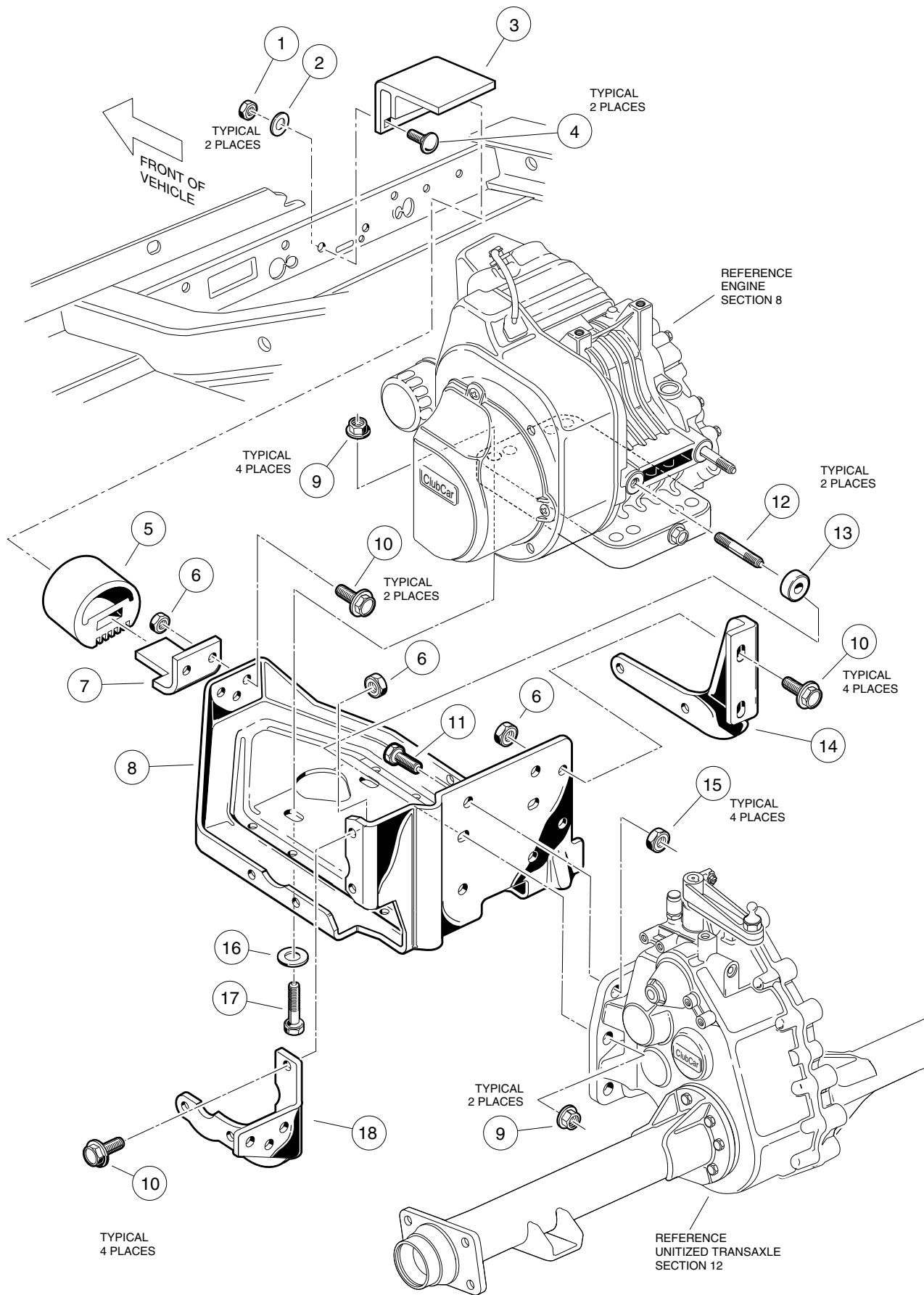
FE 350 ENGINE



FE 350 ENGINE— CARRYALL TURF II, II PLUS AND VI

ITEM	PART NO.	DESCRIPTION	QTY
		1 2 3 4	
1	1017503	SEAL, OIL	1
2	1019160-01	CRANKCASE, COMPLETE, FE 350 (CLOCKWISE ROTATION)	1
3	1017502	RING, SNAP	2
4	1017450	PIN, PISTON	1
5	1017449-01	PISTON, STANDARD.....	1
5	1017449-02	PISTON, .50MM OVERSIZED	1
6	1017451-01	RING SET, PISTON, STANDARD	1
6	1017451-02	RING SET, PISTON, .50MM OVERSIZED	1
7	1017457-01	ASSEMBLY, CONNECTING ROD, STANDARD (INCLUDES 2 EACH OF ITEM 8)	1
7	1017457-02	ASSEMBLY, CONNECTING ROD, .50MM UNDERSIZED) (INCLUDES 2 EACH OF ITEM 8)	1
8	1017512	BOLT, HEX HEAD, M7 x 1 x 36MM	2
9	1019223-02	CRANKSHAFT, COMPLETE, FE 350 (INCLUDES ITEMS 10 - 13)	1
10	1016562	KEY	1
11	1017484	GEAR, HELICAL	1
12	1017483	GEAR, SPUR	1
13	1017471	ROD, CONNECTING	2
14	1017733-01	SHIM, CRANKSHAFT, 1.18MM THICK	A/R
14	1017733-02	SHIM, CRANKSHAFT, 1.25MM THICK	A/R
14	1017733-03	SHIM, CRANKSHAFT, 1.32MM THICK	A/R
14	1017733-04	SHIM, CRANKSHAFT, 1.39MM THICK	A/R
14	1017733-05	SHIM, CRANKSHAFT, 1.46MM THICK	A/R
14	1017733-06	SHIM, CRANKSHAFT, 1.53MM THICK	A/R
14	1017733-07	SHIM, CRANKSHAFT, 1.60MM THICK	A/R
14	1017733-08	SHIM, CRANKSHAFT, 1.67MM THICK	A/R
14	1017733-09	SHIM, CRANKSHAFT, 1.74MM THICK	A/R
14	1017733-10	SHIM, CRANKSHAFT, 1.11MM THICK	A/R
14	1017733-11	SHIM, CRANKSHAFT, 1.81MM THICK	A/R
15	1017501	SPACER	1
16	1016541	BOLT, STUD, M6 x 1 x 22MM	4
17	1016547	NUT, FLANGED, M6 x 1	4
18	1016470	SHAFT, GUIDE COUNTERBALANCE	1
19	1016571	O-RING	1
20	1017453	WEIGHT, COUNTERBALANCE (INCLUDES ITEM 21)	1
21	1017510	BEARING	1





ENGINE MOUNTING

ITEM	PART NO.	DESCRIPTION	QTY
		1 2 3 4	
1	0007473	NUT, NYLON LOCK, 5/16 - 18 (CARRYALL I ONLY)	2
2	0001241	WASHER, FLAT, 5/16 - 18 (CARRYALL I ONLY)	2
3	1018646-01	RETAINER, SNUBBER (CARRYALL I ONLY)	1
4	0007818	BOLT, CARRIAGE, 5/16 - 18 x 1 1/2 (CARRYALL I ONLY)	2
5	1012164	SNUBBER	1
6	1013924	NUT, HEX LOCK, 5/16 - 24, UNF	10
7	1018346-01	BRACKET, SNUBBER	1
8	1018271-01	PLATE, MOUNTING	1
9	1018330-01	NUT, FLANGE, M8 x 1.25	6
10	1018848-01	SCREW, HEX WASHER, 5/16 -24 x 7/8	10
11	1018333-01	SCREW, HEX HEAD CAP, M10 x 1.25 x 30MM	4
12	1018332-01	STUD, M8 x 1.25	2
13	1018321-01	SPACER	2
14	1018326-01	STIFFENER, DRIVE CLUTCH SIDE	1
15	1018329-01	NUT, FLANGE, M10 x 1.25	4
16	1012571	WASHER, HEAVY FLAT, 5/16	4
17	1018559-01	SCREW, HEX HEAD CAP, M8 x 1.25 x 43MM	4
18	1018327-01	STIFFENER, FLYWHEEL SIDE	1



8

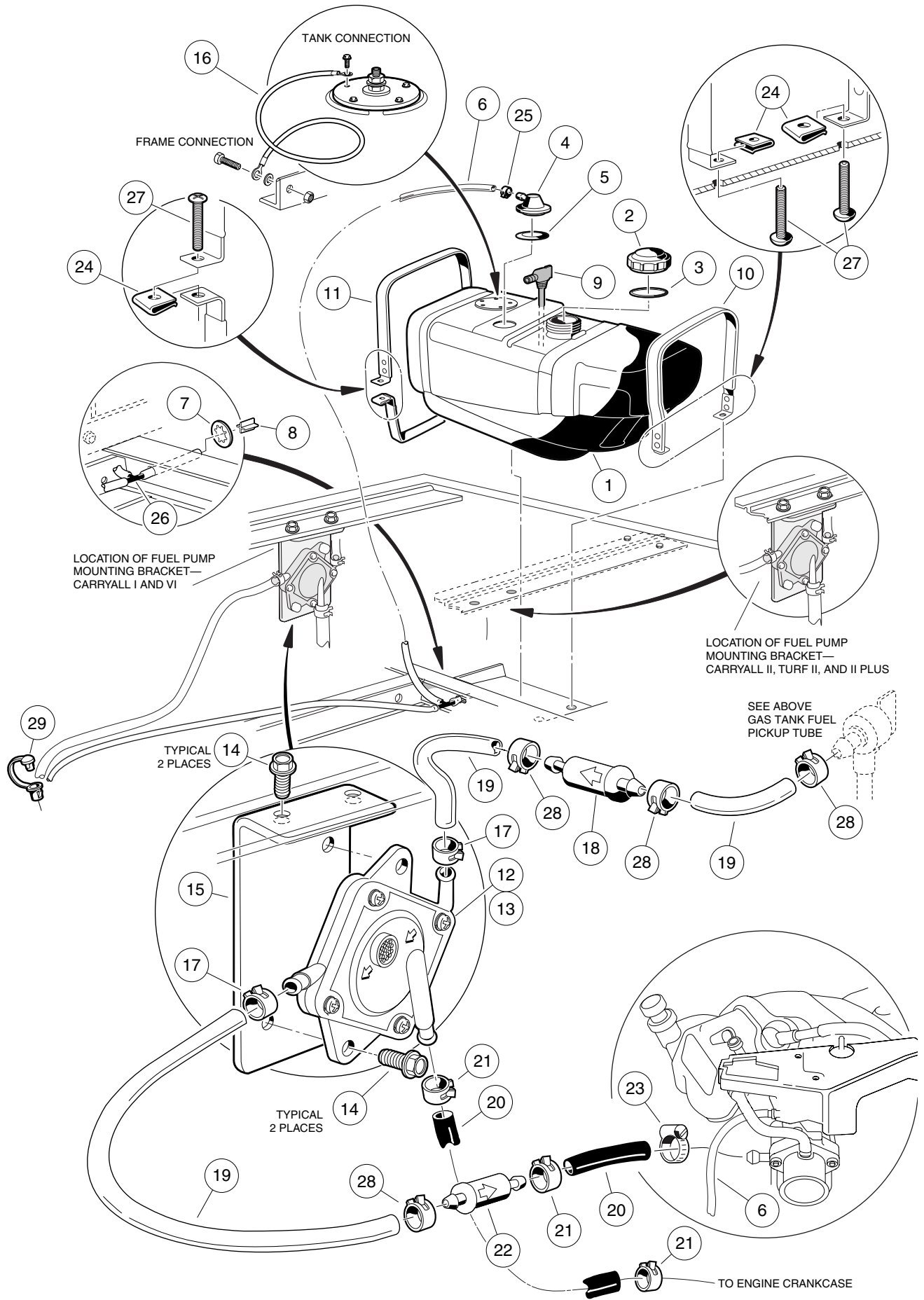
FE 290 ENGINE

G

FUEL, INTAKE, AND GOVERNOR SYSTEMS

9

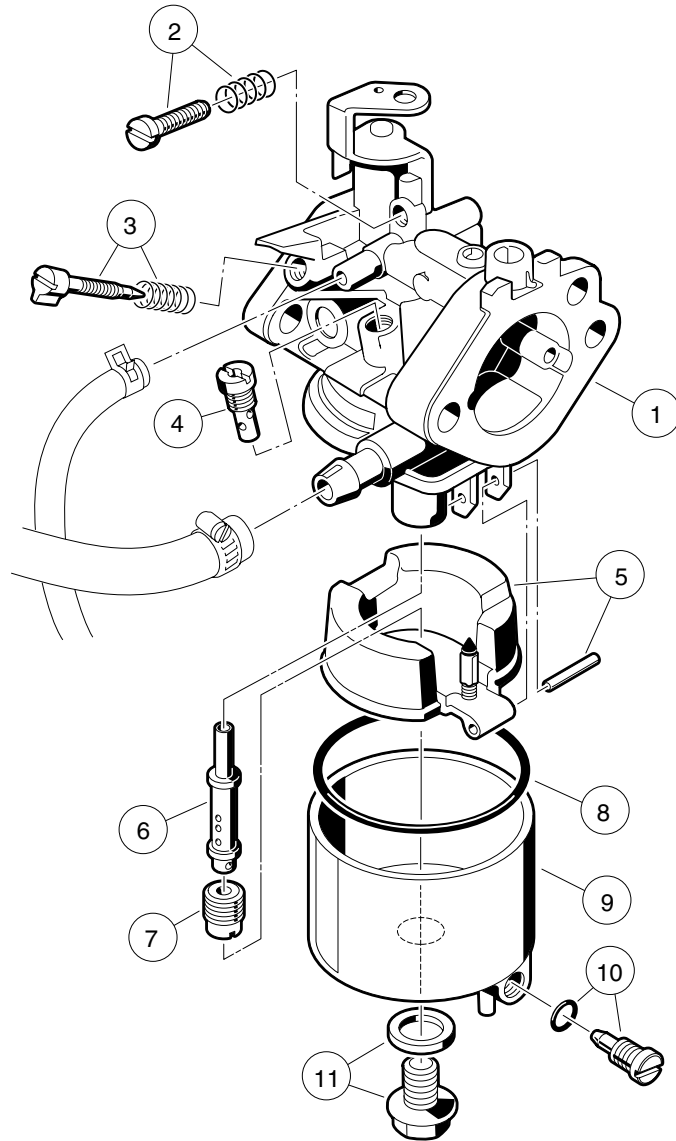
G



FUEL SYSTEM

9
G

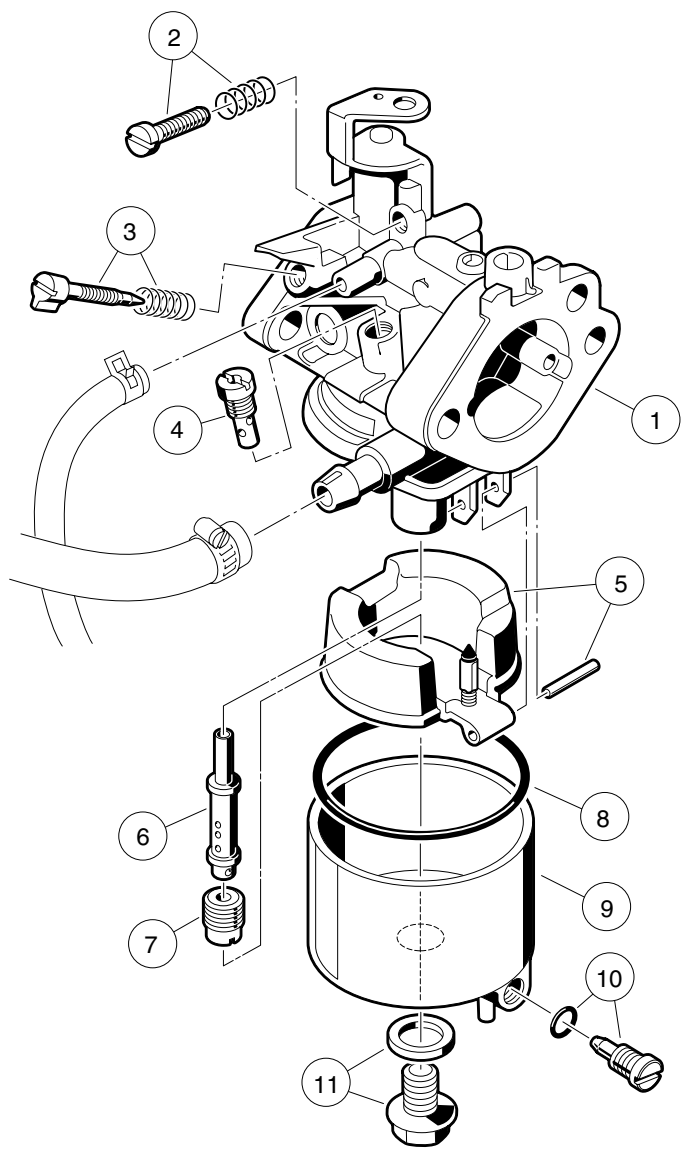
ITEM	PART NO.	DESCRIPTION	QTY
		1 2 3 4	
1	1016004	KIT, FUEL TANK, WITH SENDING UNIT (INCLUDES ITEMS 2 - 9)	1
2	1015188	CAP, FUEL TANK, NONVENTED (INCLUDES ITEM 3)	1
3	1014535	GASKET, FUEL CAP	1
4	1015143	ASSEMBLY, FUEL TANK VENT	1
5	1015139	GROMMET, INSULATION	1
6	1015137	LINE, BULK VENT (AVAILABLE BY THE FOOT)	A/R
7	1016059	CLIP, STUD	1
8	1018244-01	BARB, VENT	1
9	1018969-01	VALVE, FUEL PICKUP TUBE WITH SHUT-OFF	1
10	1014928	ASSEMBLY, REAR FUEL STRAP	1
11	1019553-01	ASSEMBLY, FRONT FUEL STRAP	1
12	1014523	PUMP, FUEL IMPULSE	1
13	1014524	KIT, REBUILD, FUEL IMPULSE PUMP	1
14	1012285	SCREW, THREAD-ROLLING, 1/4 - 20 x 5/8	4
15	1019295-01	BRACKET, FUEL PUMP MOUNTING	1
16	N/A	WIRE ASSEMBLY, #16 BLACK	1
17	1013134-01	CLAMP, HOSE (BLACK)	2
18	1013684	FILTER , PRIMARY FUEL (WHITE)	1
19	1012293	LINE, BULK FUEL (YELLOW)	A/R
20	1013692	LINE, BULK FUEL (BLACK)	A/R
21	1012649	CLAMP, HOSE (RED)	3
22	1014522	FILTER, SECONDARY FUEL (BLUE)	1
23	1013687	CLAMP, HOSE, 3/8	1
24	1014116	NUT, U-TYPE SPEED, 1/4 - 20	3
25	1013746	CLAMP, HOSE (GREY)	1
26	1019556-01	T-FITTING	1
27	1011988	SCREW, PHILLIPS TRUSS HEAD, 1/4 - 20 x 2	3
28	1013134-02	CLAMP, HOSE (GREEN)	4
29	1019183-01	CLAMP, WIRE	1



CARBURETOR ASSEMBLY, FE 290 ENGINE— CARRYALL I AND II

ITEM	PART NO.	DESCRIPTION	QTY
		1 2 3 4	
1	1019056-01	ASSEMBLY, CARBURETOR (INCLUDES ITEMS 2 - 11)	1
2	1016501	ASSEMBLY, IDLE SCREW	1
3	N/A	ASSEMBLY, PILOT AIR SCREW	1
4	1019731-01	JET, PILOT, #40	1
5	1016486	ASSEMBLY, FLOAT	1
6	1019732-01	NOZZLE, MAIN	1
		STANDARD JETTING:	
7	1016425-82	JET, MAIN, 0 - 3,000 FEET	A/R
7	1016425-80	JET, MAIN, 3,000 - 5,000 FEET	A/R
7	1016425-78	JET, MAIN, 5,000 - 8,000 FEET	A/R
7	1016425-75	JET, MAIN, 8,000 - 10,000 FEET	A/R
7	1016425-72	JET, MAIN, 10,000 FEET AND ABOVE	A/R
8	1016437	GASKET, FLOAT CHAMBER	1
9	1017461	ASSEMBLY, FLOAT CHAMBER (INCLUDES ITEM 10)	1
10	1016499	ASSEMBLY, SCREW	1
11	1016585	ASSEMBLY, BOLT	1

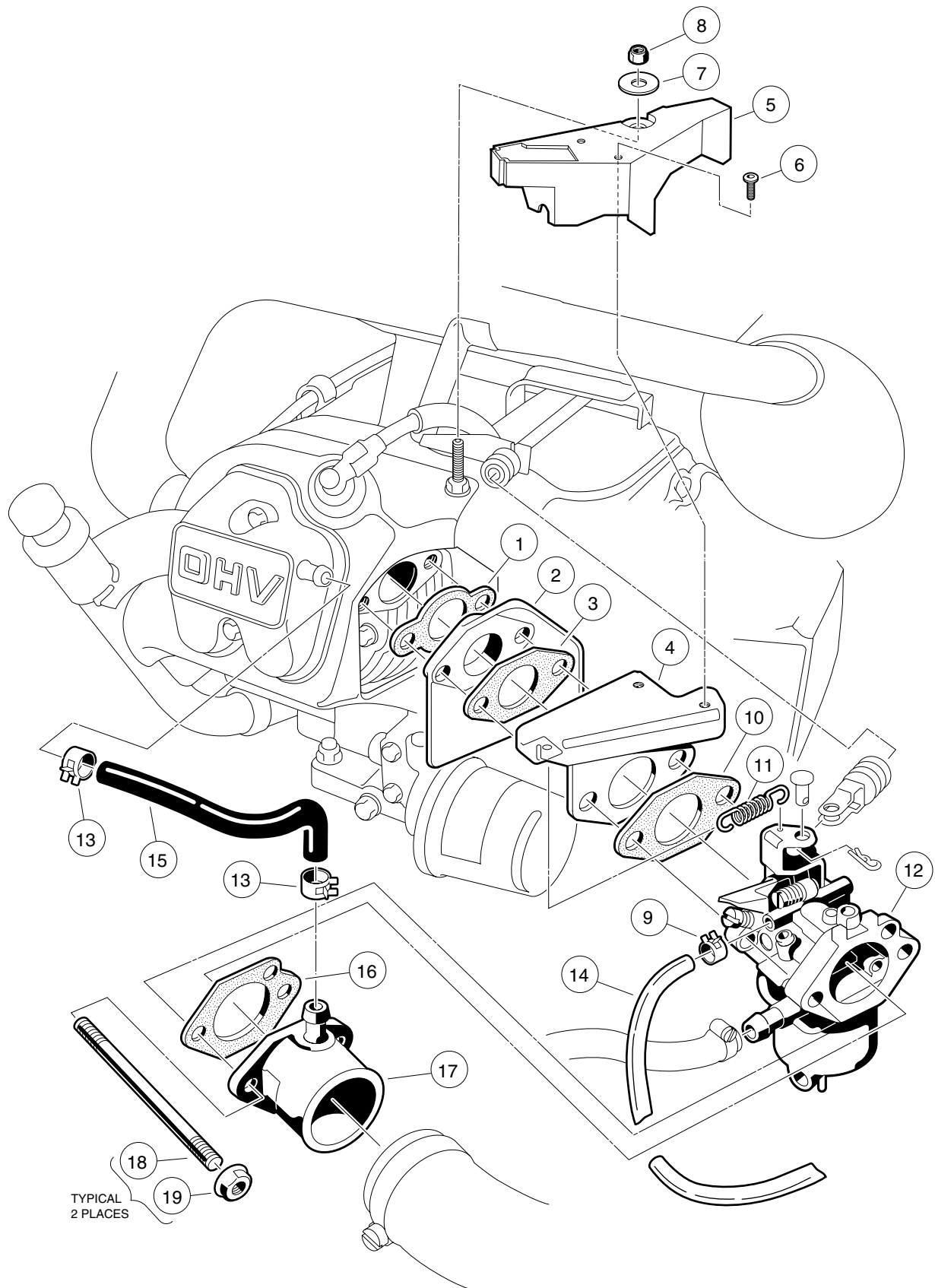




CARBURETOR ASSEMBLY, FE 350 ENGINE— CARRYALL TURF II, II PLUS AND VI

ITEM	PART NO.	DESCRIPTION	QTY
		1 2 3 4	
1	1019059-01	ASSEMBLY, CARBURETOR (INCLUDES ITEMS 2 - 11)	1
2	1016501	ASSEMBLY, IDLE SCREW	1
3	N/A	ASSEMBLY, PILOT AIR SCREW	1
4	1019731-01	JET, PILOT, #40	1
5	1016486	ASSEMBLY, FLOAT	1
6	1019733-01	NOZZLE, MAIN	1
		STANDARD JETTING:	
7	1016425-85	JET, MAIN, 0 - 3,000 FEET	A/R
7	1016425-82	JET, MAIN, 3,000 - 5,000 FEET	A/R
7	1016425-80	JET, MAIN, 5,000 - 8,000 FEET	A/R
7	1016425-78	JET, MAIN, 8,000 - 10,000 FEET	A/R
7	1016425-75	JET, MAIN, 10,000 FEET AND ABOVE	A/R
8	1016437	GASKET, FLOAT CHAMBER	1
9	1017461	ASSEMBLY, FLOAT CHAMBER (INCLUDES ITEM 10)	1
10	1016499	ASSEMBLY, SCREW	1
11	1016585	ASSEMBLY, BOLT	1

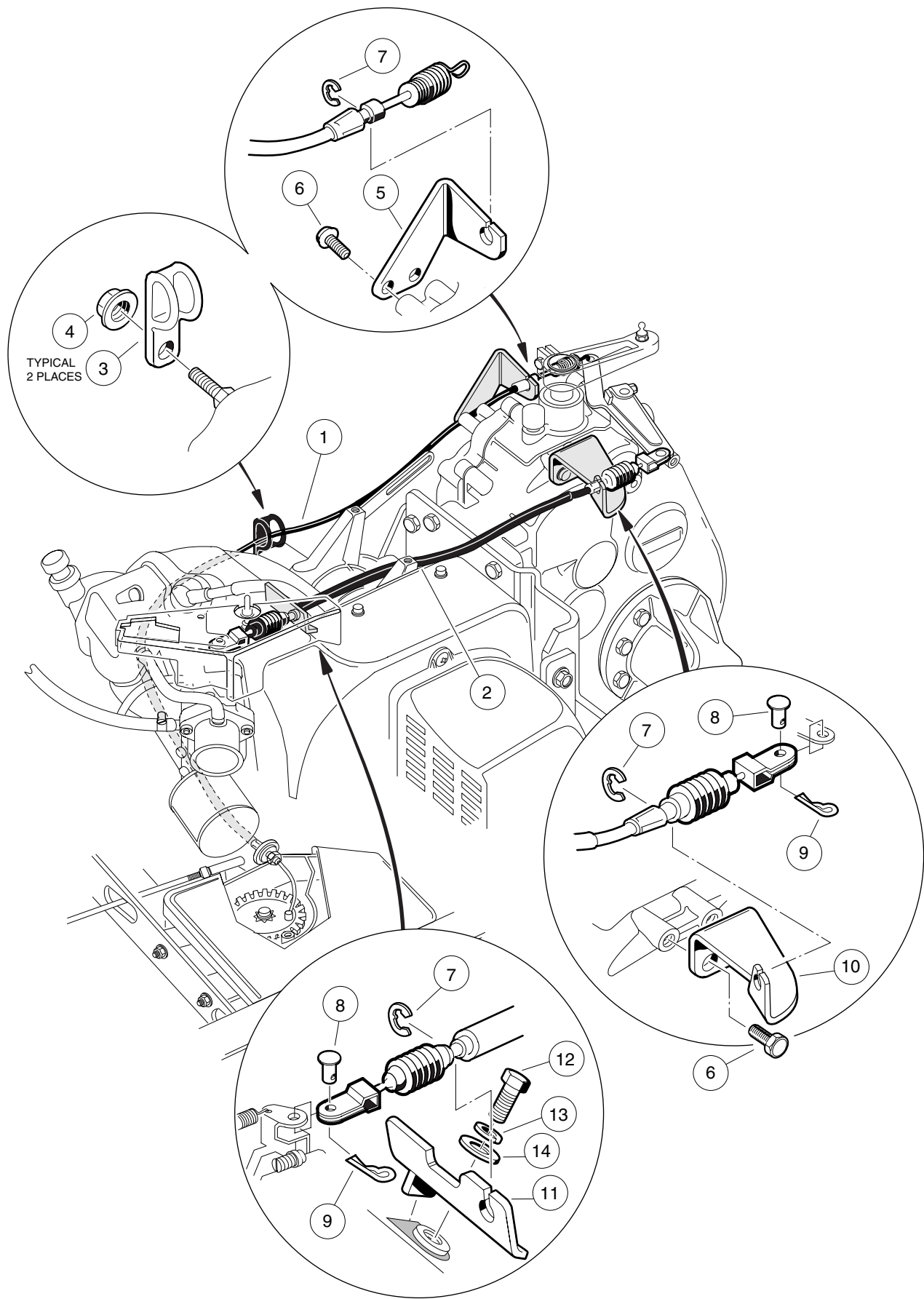




CARBURETOR INSTALLATION

ITEM	PART NO.	DESCRIPTION	QTY
		1 2 3 4	
1	1016440	GASKET, INSULATOR	1
2	1016481-02	INSULATOR, CARBURETOR	1
3	1016439	GASKET, CARBURETOR INSULATOR TO THROTTLE BRACKET (CARRYALL I AND II)	1
3	1019734-01	GASKET, CARBURETOR INSULATOR TO THROTTLE BRACKET (CARRYALL TURF II, II PLUS AND VI)	1
4	1016444	BRACKET, THROTTLE	1
5	1018202-01	GUARD, GOVERNOR (CARRYALL I AND II)	1
6	1016103	SCREW, PAN/TORX HEAD SELF-TAPPING, #6 - 32 x 1/4 (CARRYALL I AND II)	2
7	1011697	WASHER, FLAT, 5/16 (CARRYALL I AND II)	1
8	1018876-01	NUT, NYLON LOCK, M6 x 1 (CARRYALL I AND II)	1
9	1013746	CLAMP, HOSE	1
10	1016441	GASKET, THROTTLE BRACKET TO CARBURETOR	1
11	1016582	SPRING, THROTTLE RETURN	1
12	1019056-01	ASSEMBLY, CARBURETOR (CARRYALL I AND II)	1
12	1019059-01	ASSEMBLY, CARBURETOR (CARRYALL TURF II, II PLUS AND VI)	1
13	1017466	CLAMP, HOSE	2
14	1015137	LINE, BULK VENT	1
15	1016572	TUBE, CRANKCASE VENT	1
16	1016438	GASKET, CARBURETOR TO INTAKE MANIFOLD	1
17	1016480	PIPE, INTAKE	1
18	1016490-02	SCREW, 2-ENDED STUD, M6 x 1 x 90MM	2
19	1016547	NUT, FLANGED, M6 x 1	2

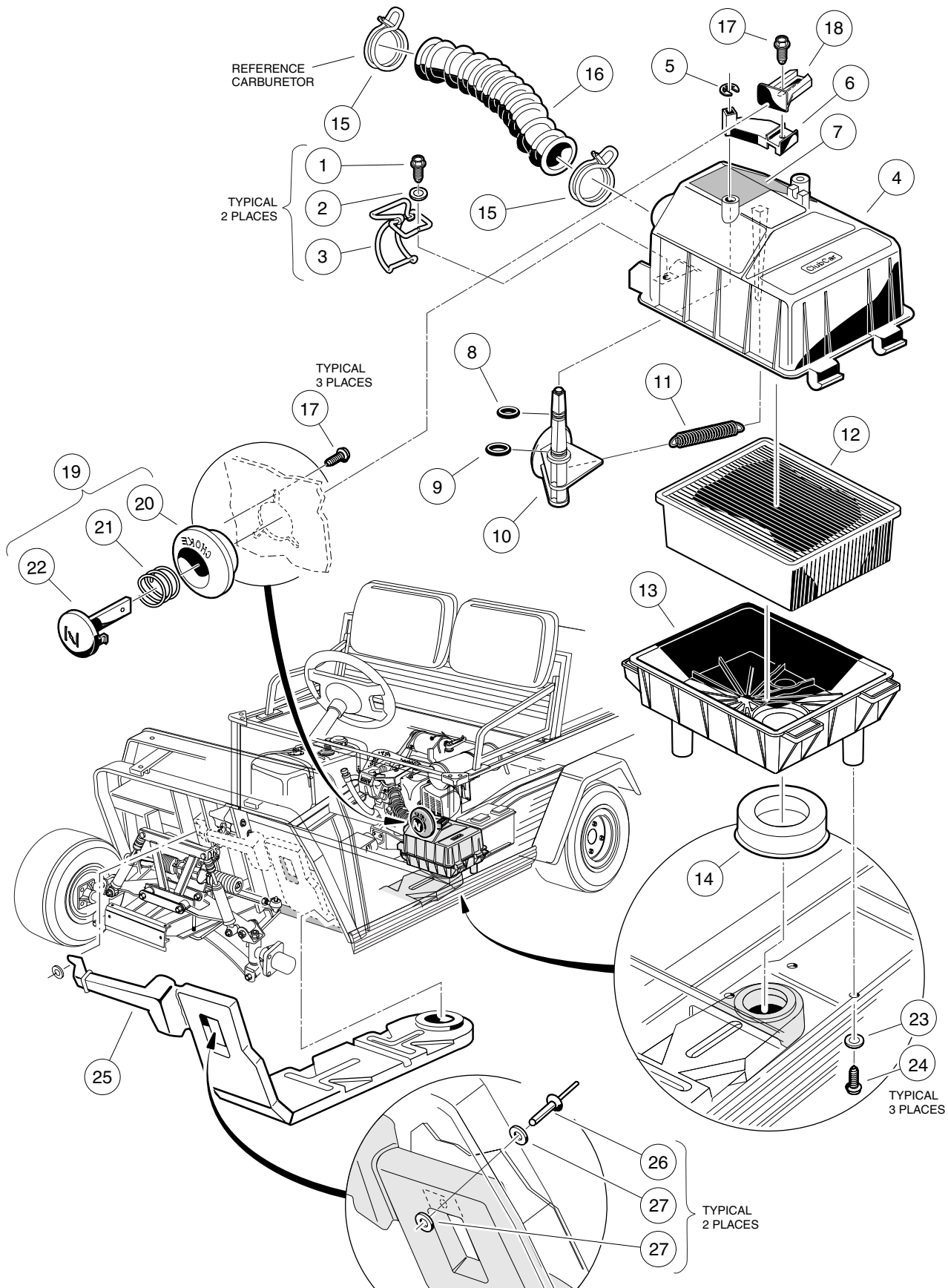




GOVERNOR AND ACCELERATOR CABLES

ITEM	PART NO.	DESCRIPTION	QTY
		1 2 3 4	
1	1018325-01	CABLE, ACCELERATOR	1
1	1018324-01	CABLE, GOVERNOR (CARRYALL I AND II)	1
2	1018324-02	CABLE, GOVERNOR (CARRYALL TURF II , II PLUS AND VI)	1
3	1013700	CLAMP, CABLE RETAINING	2
4	1016546	NUT, FLANGED HEX, M8 x 1.25	2
5	1018323-01	BRACKET, ACCELERATOR SUPPORT	1
6	1012285	SCREW, THREAD ROLLING, 1/4 - 20 x 5/8	4
7	1016202	E-RING	3
8	1015408	PIN, GOVERNOR CABLE CLEVIS	2
9	1014413	PIN, HAIR SPRING COTTER, 1/8 I.D. x 5/8	2
10	1018322-01	BRACKET, SUPPORT	1
11	1015845	BRACKET, GOVERNOR CABLE ENGINE	1
12	1019035-01	SCREW, HEX HEAD CAP, M8 x 1.25 x 24 MM	1
13	0007174	WASHER, LOCK, 5/16	1
14	1011697	WASHER, FLAT, 5/16	1

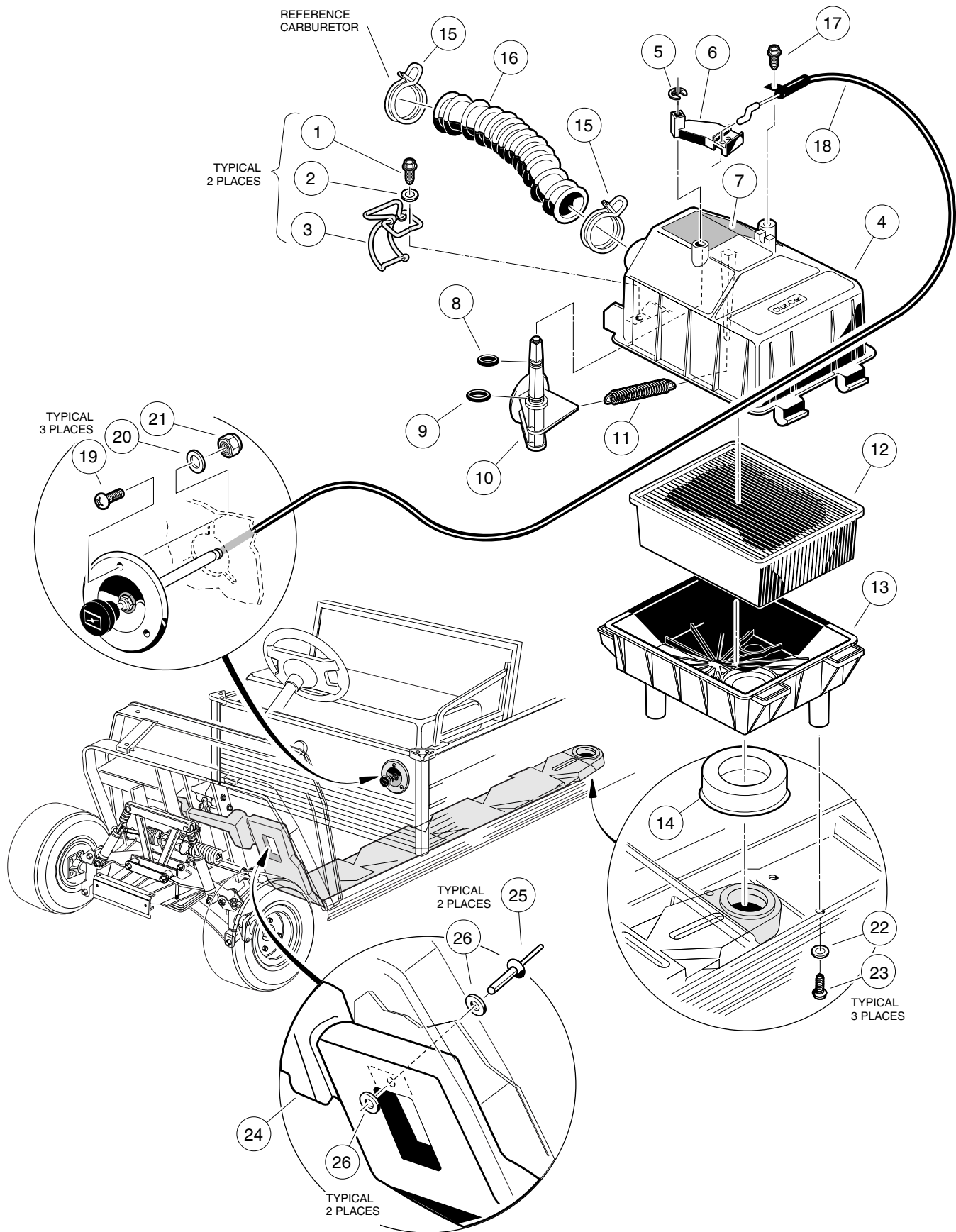




INTAKE DUCT, CHOKE, AND AIR BOX ASSEMBLY— CARRYALL I

ITEM	PART NO.	DESCRIPTION	QTY
		1 2 3 4	
	1018215-01	ASSEMBLY, AIR BOX (INCLUDES ITEMS 1 - 14)	1
1	1018043-01	SCREW, HI-LO HEX HEAD, #8 - 1/2	2
2	1018817-01	WASHER, STAINLESS STEEL, #8	2
3	1019257-01	LATCH, WIRE	2
4	1019728-01	ASSEMBLY, AIR BOX TOP (INCLUDES ITEMS 5 - 11)	1
5	1018130-01	E-CLIP	1
6	1019176-01	LEVER, CHOKE	1
7	1019443-01	DECAL, SERVICE	1
8	N/A	O-RING, 5/16 (RED)	1
9	N/A	O-RING, 3/8 (GREEN)	1
10	N/A	VALVE, CHOKE	1
11	1018123-01	SPRING, RETURN	1
12	1015426	FILTER, AIR	1
13	1018119-01	BOTTOM, AIR BOX	1
14	1019215-01	SEAL, INTAKE	1
15	1019713-01	CLAMP, HOSE (AIR INTAKE)	2
16	1018371-01	HOSE, INTAKE	1
17	1018503-01	SCREW, HI-LO, #12 x 1/2	4
18	1019177-01	POSITIONER, CHOKE	1
19	1018057-01	ASSEMBLY, CHOKE BUTTON (INCLUDES ITEMS 20, 21 AND 22)	1
20	1018115-01	GUIDE, CHOKE LEVER	1
21	1018562-01	SPRING, COMPRESSION	1
22	1018114-01	LEVER, CHOKE	1
23	0000332	WASHER, FLAT, 1/4	3
24	1015752	SCREW, HI-LO, #12 - 16 x 5/8	3
25	1019581-01	ASSEMBLY, AIR DUCT	1
26	0001606	RIVET, POP, 3/16	2
27	0000183	WASHER, FLAT, #10	4
	1019710-01	AIR DUCT REPAIR KIT (NOT SHOWN)	A/R

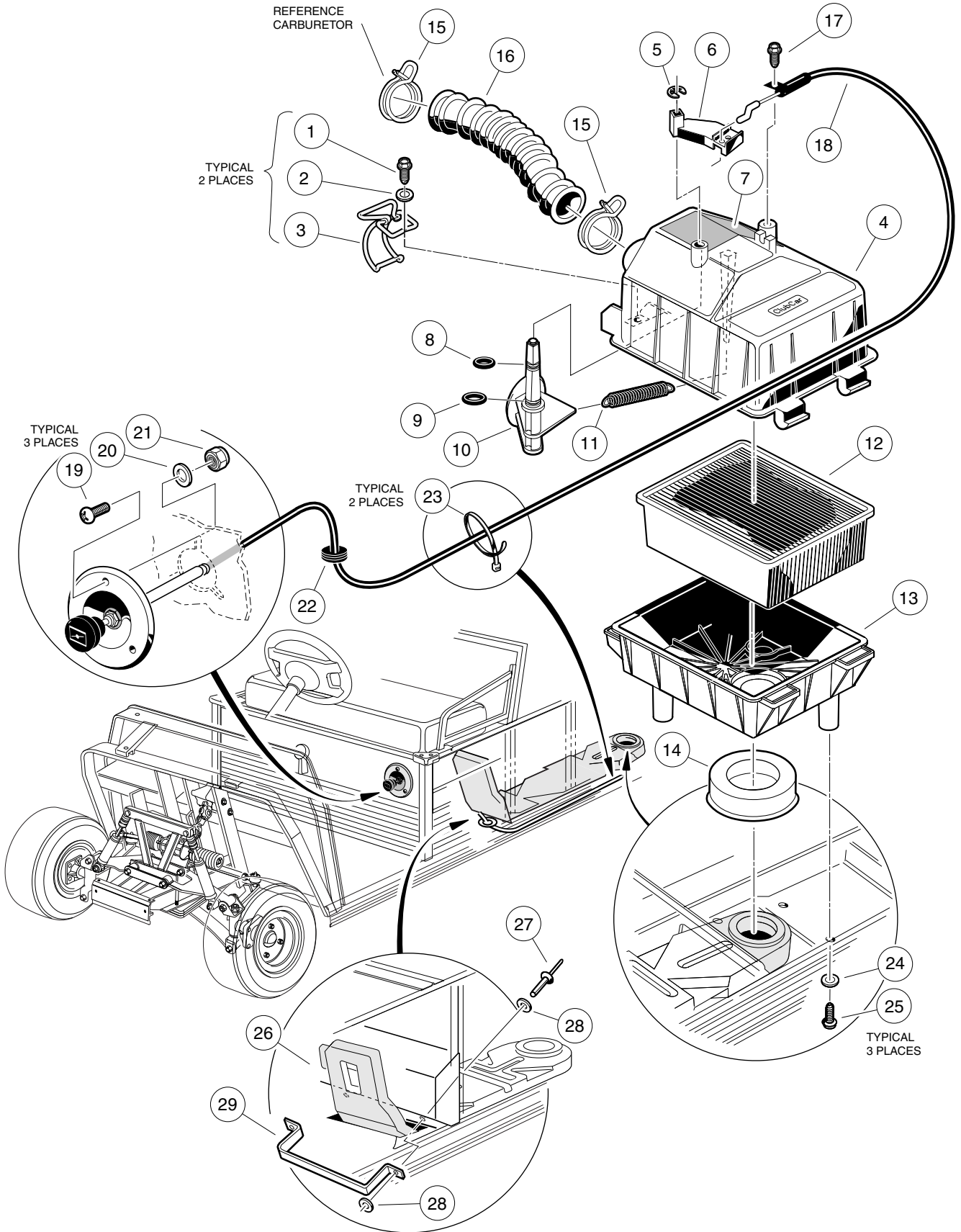




INTAKE DUCT, CHOKE, AND AIR BOX ASSEMBLY— CARRYALL II, TURF II AND II PLUS

ITEM	PART NO.	DESCRIPTION	QTY
		1 2 3 4	
	1018215-01	ASSEMBLY, AIR BOX (INCLUDES ITEMS 1 - 14)	1
1	1018043-01	SCREW, HI-LO HEX HEAD, #8 - 1/2	2
2	1018817-01	WASHER, STAINLESS STEEL, #8	2
3	1019257-01	LATCH, WIRE	2
4	1019728-01	ASSEMBLY, AIR BOX TOP (INCLUDES ITEMS 5 - 11)	1
5	1018130-01	E-CLIP	1
6	1019176-01	LEVER, CHOKE	1
7	1019443-01	DECAL, SERVICE	1
8	N/A	O-RING, 5/16 (RED)	1
9	N/A	O-RING, 3/8 (GREEN)	1
10	N/A	VALVE, CHOKE	1
11	1018123-01	SPRING, RETURN	1
12	1015426	FILTER, AIR	1
13	1018119-01	BOTTOM, AIR BOX	1
14	1019215-01	SEAL, INTAKE	1
15	1019713-01	CLAMP, HOSE (AIR INTAKE)	2
16	1018371-01	HOSE, INTAKE	1
17	1018043-01	SCREW, HEX HEAD HI-LO, #8 x 1/2	1
18	1019268-01	CABLE, CHOKE	1
19	0001631	SCREW, PAN HEAD, #10 - 24 x 3/4	3
20	0000183	WASHER, #10	3
21	1012438	NUT, NYLON LOCK, #10 - 24	3
22	0000332	WASHER, FLAT, 1/4	3
23	1015752	SCREW, HI-LO, #12 - 16 x 5/8	3
24	1019581-02	ASSEMBLY, AIR DUCT	1
25	0001606	RIVET, POP, 3/16	2
26	0000183	WASHER, FLAT, #10	4
	1019710-01	AIR DUCT REPAIR KIT (NOT SHOWN)	A/R





INTAKE DUCT, CHOKE, AND AIR BOX ASSEMBLY— CARRYALL VI

ITEM	PART NO.	DESCRIPTION	QTY
		1 2 3 4	
	1018215-01	ASSEMBLY, AIR BOX (INCLUDES ITEMS 1 - 14)	1
1	1018043-01	SCREW, HI-LO HEX HEAD, #8 - 1/2	2
2	1018817-01	WASHER, STAINLESS STEEL, #8	2
3	1019257-01	LATCH, WIRE	2
4	1019728-01	ASSEMBLY, AIR BOX TOP (INCLUDES ITEMS 5 - 11)	1
5	1018130-01	E-CLIP	1
6	1019176-01	LEVER, CHOKE	1
7	1019443-01	DECAL, SERVICE	1
8	N/A	O-RING, 5/16 (RED)	1
9	N/A	O-RING, 3/8 (GREEN)	1
10	N/A	VALVE, CHOKE	1
11	1018123-01	SPRING, RETURN	1
12	1015426	FILTER, AIR	1
13	1018119-01	BOTTOM, AIR BOX	1
14	1019215-01	SEAL, INTAKE	1
15	1019713-01	CLAMP, HOSE (AIR INTAKE)	2
16	1018371-01	HOSE, INTAKE	1
17	1018043-01	SCREW, HEX HEAD HI-LO, #8 x 1/2	1
18	1019268-02	CABLE, CHOKE	1
19	0001631	SCREW, PAN HEAD, 10 - 24 x 3/4	3
20	0000183	WASHER, #10	3
21	1012438	NUT, NYLON LOCK, #10 - 24	3
22	1015139	GROMMET	1
23	0008168	TIE, WIRE	2
24	0000332	WASHER, FLAT, 1/4	3
25	1015752	SCREW, HI-LO, #12 - 16 x 5/8	3
26	1018113-01	DUCT, AIR	1
27	0007973	RIVET, POP, 3/16	2
28	0000183	WASHER, FLAT, #10	4
29	1018257-01	BRACKET, RETAINING	1
	1019710-01	AIR DUCT REPAIR KIT (NOT SHOWN)	A/R

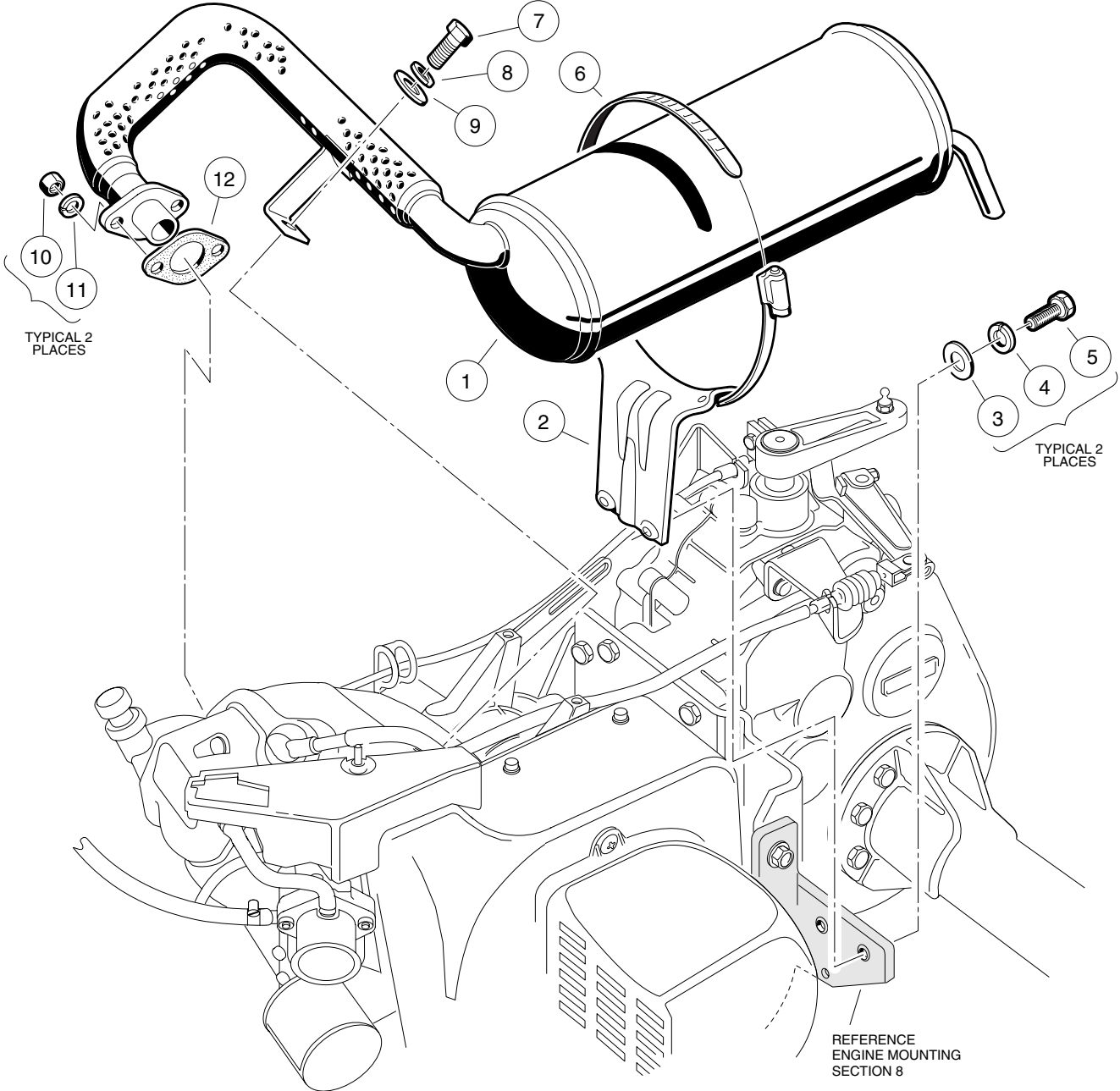




EXHAUST SYSTEM

10

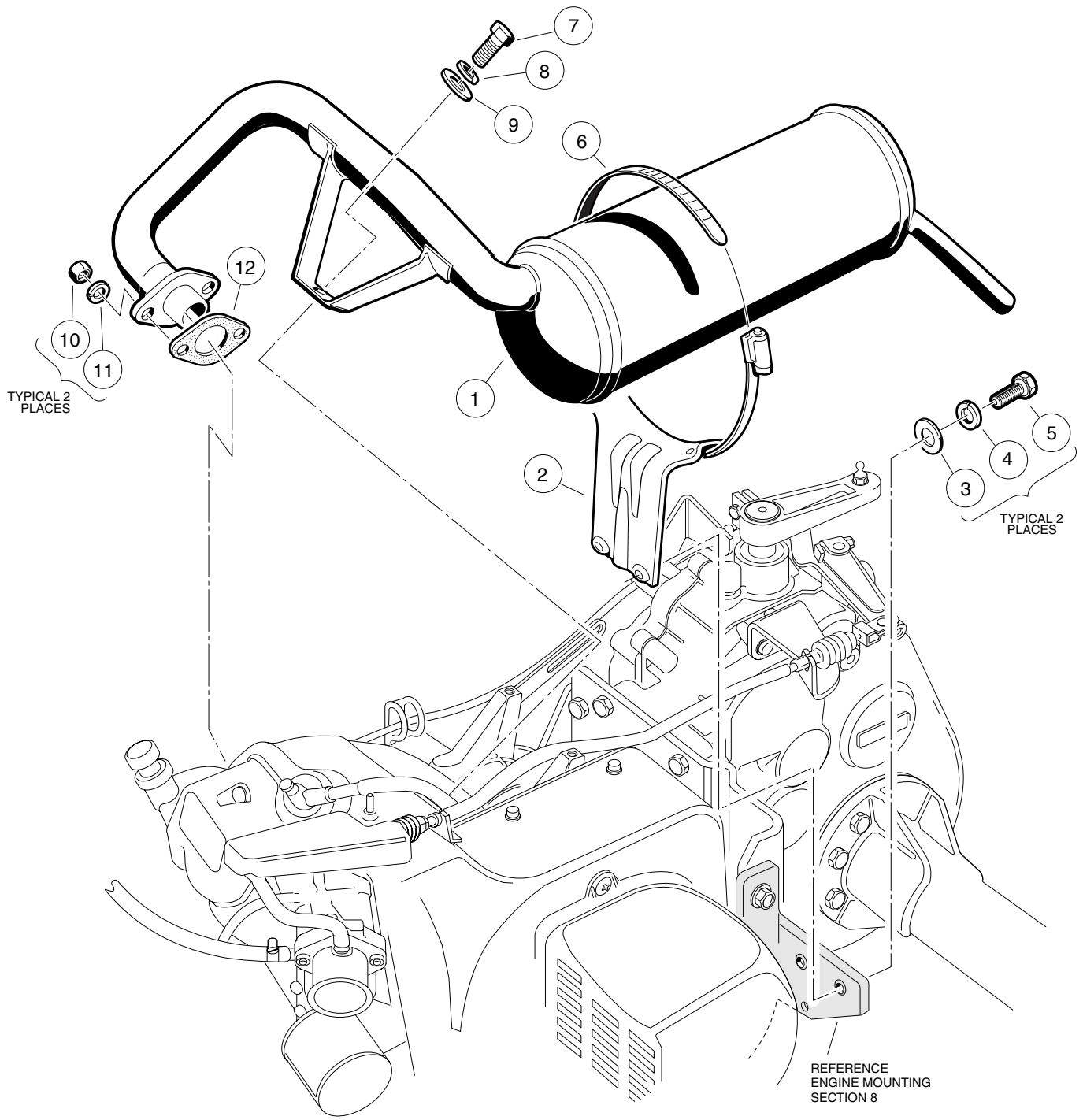
G



EXHAUST SYSTEM, FE 290— CARRYALL I AND II

ITEM	PART NO.	DESCRIPTION	QTY
		1 2 3 4	
1	1018593-01	SYSTEM, EXHAUST	1
2	1015814	BRACKET, MUFFLER MOUNTING	1
3	0000332	WASHER, FLAT, 1/4	2
4	0000451	WASHER, LOCK, 1/4	2
5	0007847	SCREW, HEX HEAD, 1/4 - 20 x 3/4	2
6	1017689	CLAMP, MUFFLER	1
7	1019035-01	SCREW, HEX HEAD CAP, M8 x 1.25 x 24MM	1
8	0007174	WASHER, LOCK, 5/16	1
9	1015075	WASHER, FLAT, 5/16	1
10	1012528	NUT, HEX, M8 x 1.25	2
11	1013734	WASHER, LOCK, 8MM	2
12	1015330	GASKET, EXHAUST	1

10
G



EXHAUST SYSTEM, FE 350— CARRYALL TURF II, II PLUS AND VI

ITEM	PART NO.	DESCRIPTION	QTY
		1 2 3 4	
1	1018594-01	SYSTEM, EXHAUST	1
2	1015814	BRACKET, MUFFLER MOUNTING	1
3	0000332	WASHER, FLAT, 1/4	2
4	0000451	WASHER, LOCK, 1/4	2
5	0007847	SCREW, HEX HEAD, 1/4 - 20 x 3/4	2
6	1017689	CLAMP, MUFFLER	1
7	1019035-01	SCREW, HEX HEAD CAP, M8 x 1.25 x 24MM	1
8	0007174	WASHER, LOCK, 5/16	1
9	1011697	WASHER, FLAT, 5/16	1
10	1012528	NUT, HEX, M8 x 1.25	2
11	1013734	WASHER, LOCK, 8MM	2
12	1016904	GASKET, EXHAUST	1

10
G

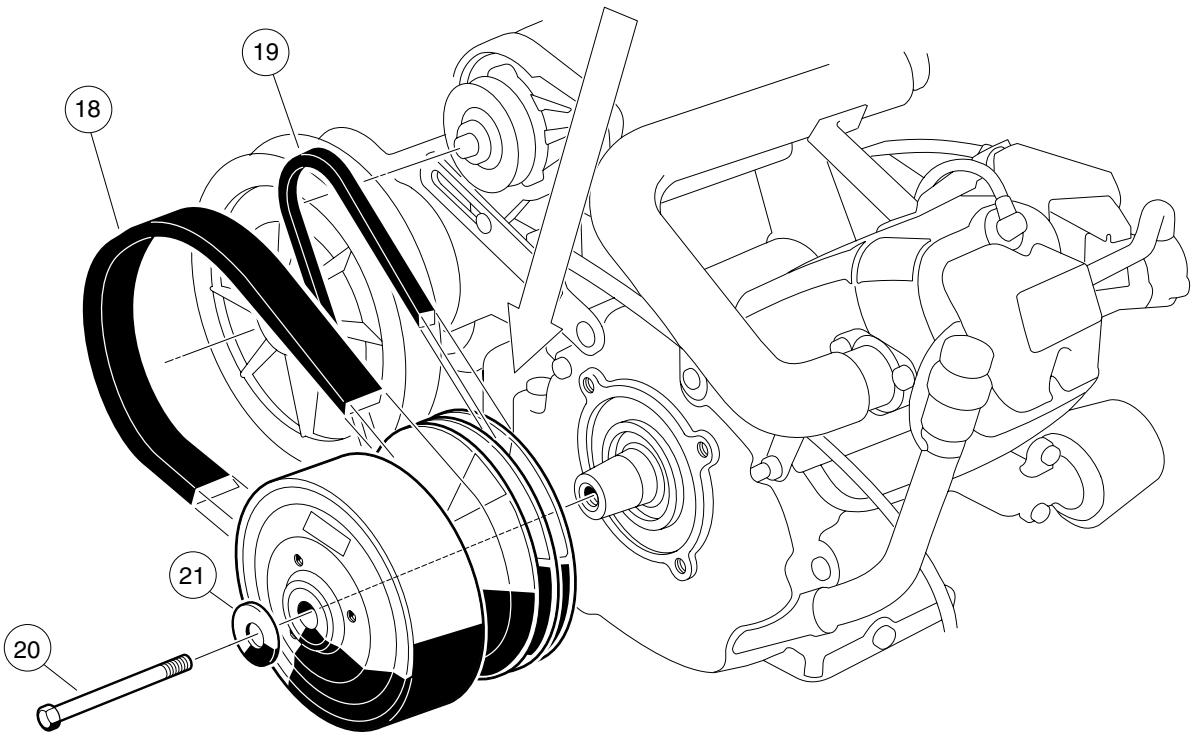
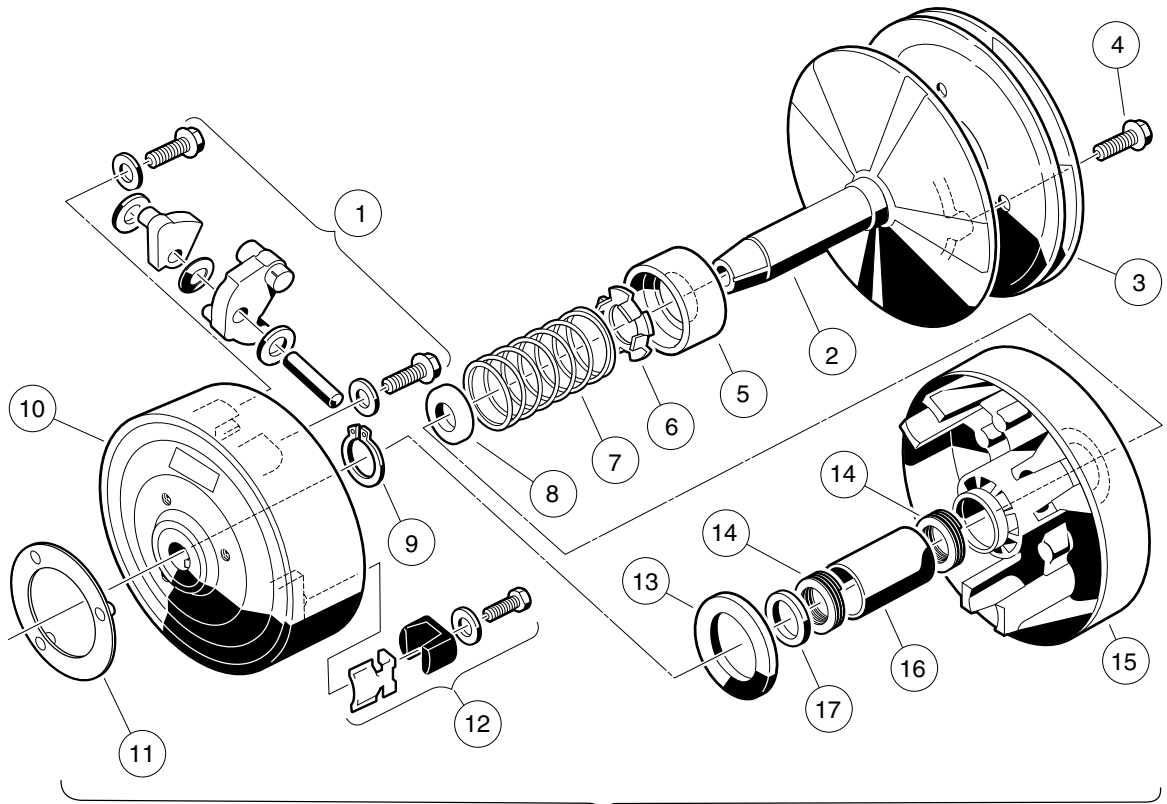
10

G

TORQUE CONVERTER

11

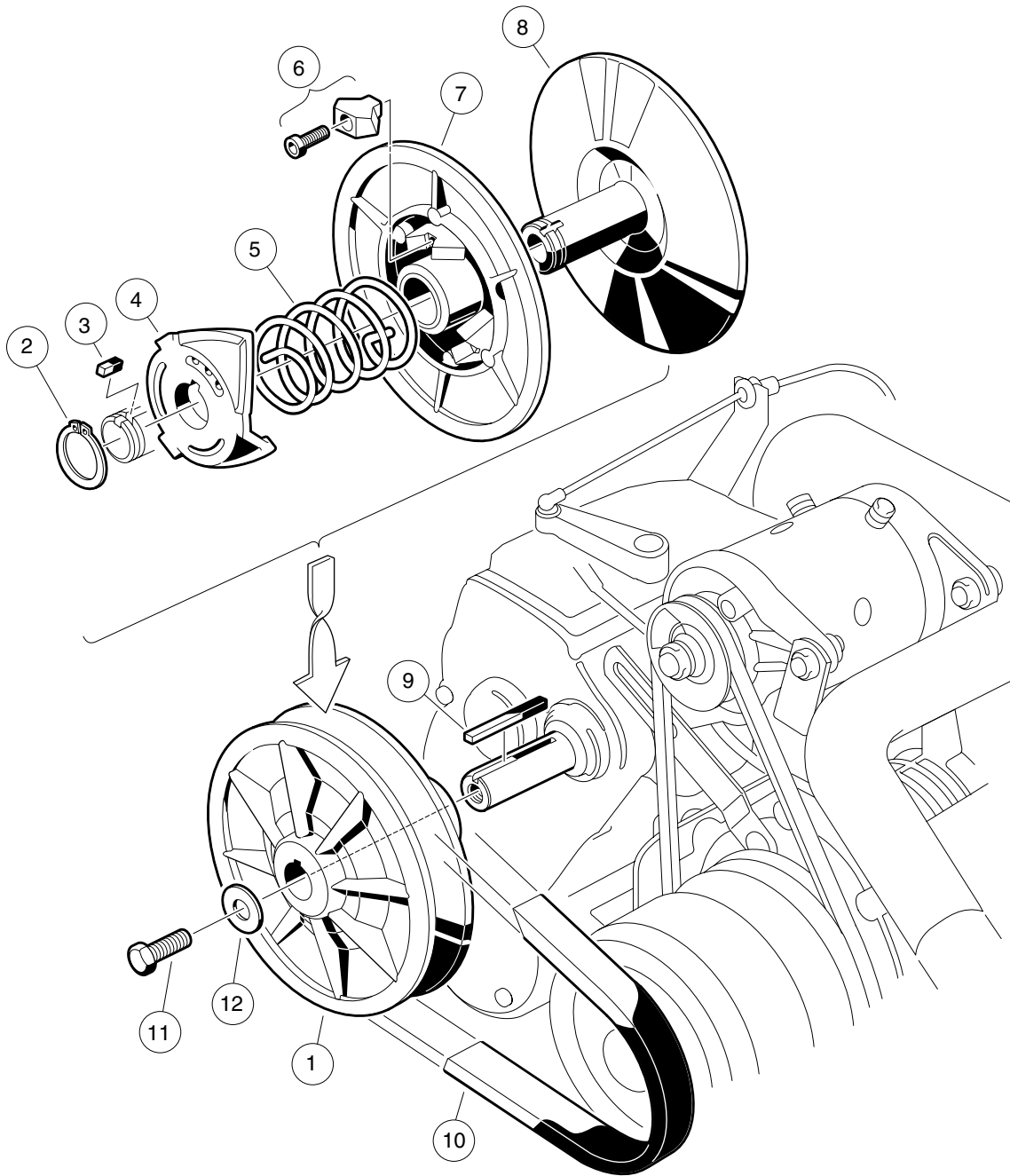
G



DRIVE CLUTCH

11
G

ITEM	PART NO.	DESCRIPTION	QTY
		1 2 3 4	
	1018339-02	ASSEMBLY, DRIVE CLUTCH (CARRYALL I, II AND TURF II) (INCLUDES ITEMS 1 - 17) ...	1
	1018339-04	ASSEMBLY, DRIVE CLUTCH (CARRYALL II PLUS AND VI) (INCLUDES ITEMS 1 - 17)	1
1	1016801	KIT, DRIVE CLUTCH WEIGHT	1
2	1019298-01	ASSEMBLY, FIXED FACE (CARRYALL I, II AND TURF II) (INCLUDES ITEMS 3 AND 4)	1
2	1017383-01	ASSEMBLY, FIXED FACE (CARRYALL II PLUS AND VI) (INCLUDES ITEMS 3 AND 4) ...	1
3	N/A	PULLEY	1
4	N/A	SCREW, WASHER HEAD HEX MACHINE	3
5	1014049	BEARING, IDLER	1
6	1014050	SPRING, RETAINER	1
7	1014051	SPRING, DRIVE CLUTCH—BLACK (CARRYALL I, II AND TURF II)	1
7	1016901	SPRING, DRIVE CLUTCH—DARK GREEN (CARRYALL II PLUS AND VI)	1
8	1016289	SPACER, FIXED FACE SHAFT	1
9	1014057	RING, RETAINING	1
10	1014059	ASSEMBLY, DRIVE HUB	1
11	1019256-01	PLUG, DRIVE CLUTCH	1
12	1014453	KIT, DRIVE CLUTCH BUTTON	1
13	1014058	WASHER, THRUST	1
14	1014056	RING, SPIRAL BACK-UP	2
15	1014052	ASSEMBLY, MOVABLE FACE (INCLUDES ITEMS 16 AND 17)	1
16	N/A	BUSHING	1
17	1014055	RETAINER	1
18	1016203	BELT, DRIVE (CARRYALL I)	1
18	1017188	BELT, DRIVE (CARRYALL II, TURF II, II PLUS AND VI)	1
19	1019167-01	BELT, STARTER/GENERATOR	1
20	1019165-01	SCREW, HEX HEAD CAP (LEFT HAND THREADS), 3/8 - 24 x 5 1/2	1
21	1017328	WASHER, MOUNTING—GREEN	1



DRIVEN CLUTCH

11
G

ITEM	PART NO.	DESCRIPTION	QTY
		1 2 3 4	
1	1018340-01	ASSEMBLY, DRIVEN CLUTCH (INCLUDES ITEMS 2 - 8) (CARRYALL I, II, TURF II AND VI)	1
1	1018340-03	ASSEMBLY, DRIVEN CLUTCH (INCLUDES ITEMS 2 - 8) (CARRYALL II PLUS ONLY)	1
2	1014080	RING, RETAINING	1
3	1014078	KEY	1
4	1017686	CAM	1
5	1018362-01	SPRING—GREEN (CARRYALL I, II, TURF II AND VI)	1
5	1018362-02	SPRING—PURPLE (CARRYALL II PLUS ONLY)	1
6	1014454	KIT, BUTTON (INCLUDES 3 BUTTONS AND 3 SCREWS)	1
7	1014072	ASSEMBLY, MOVEABLE FACE, WITH BUSHING	1
8	1014070	ASSEMBLY, FIXED FACE	1
9	1018334-01	KEY, SQUARE TRANSMISSION	1
10	1016203	BELT, DRIVE (CARRYALL I ONLY)	1
10	1017188	BELT, DRIVE (CARRYALL II, TURF II, II PLUS AND VI)	1
11	0007173	SCREW, HEX HEAD CAP, 5/16 - 18 x 3/4	1
12	1017327	WASHER, MOUNTING—YELLOW	1

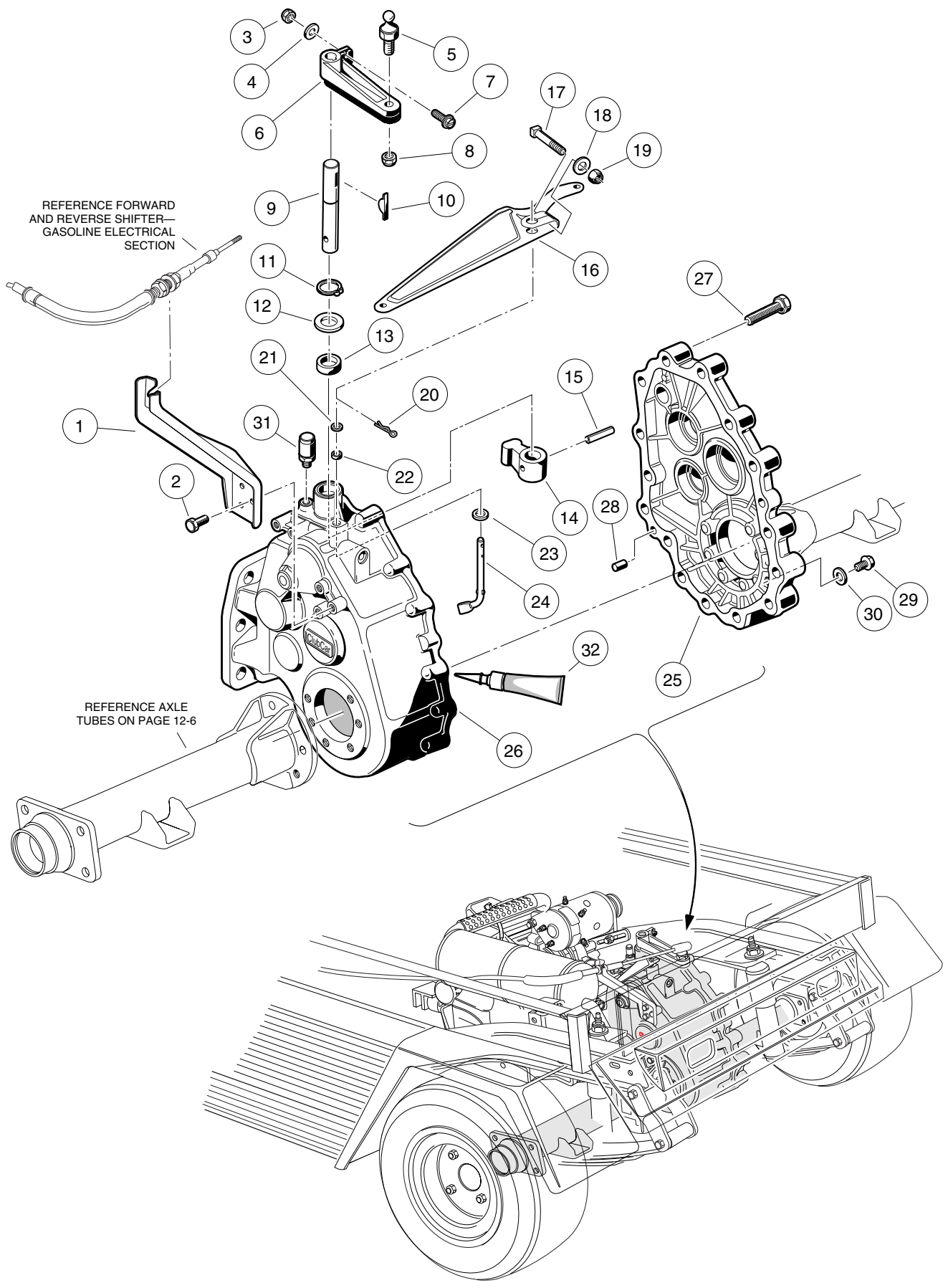
11

G

UNITIZED TRANSAXLE— GASOLINE VEHICLE

12

G

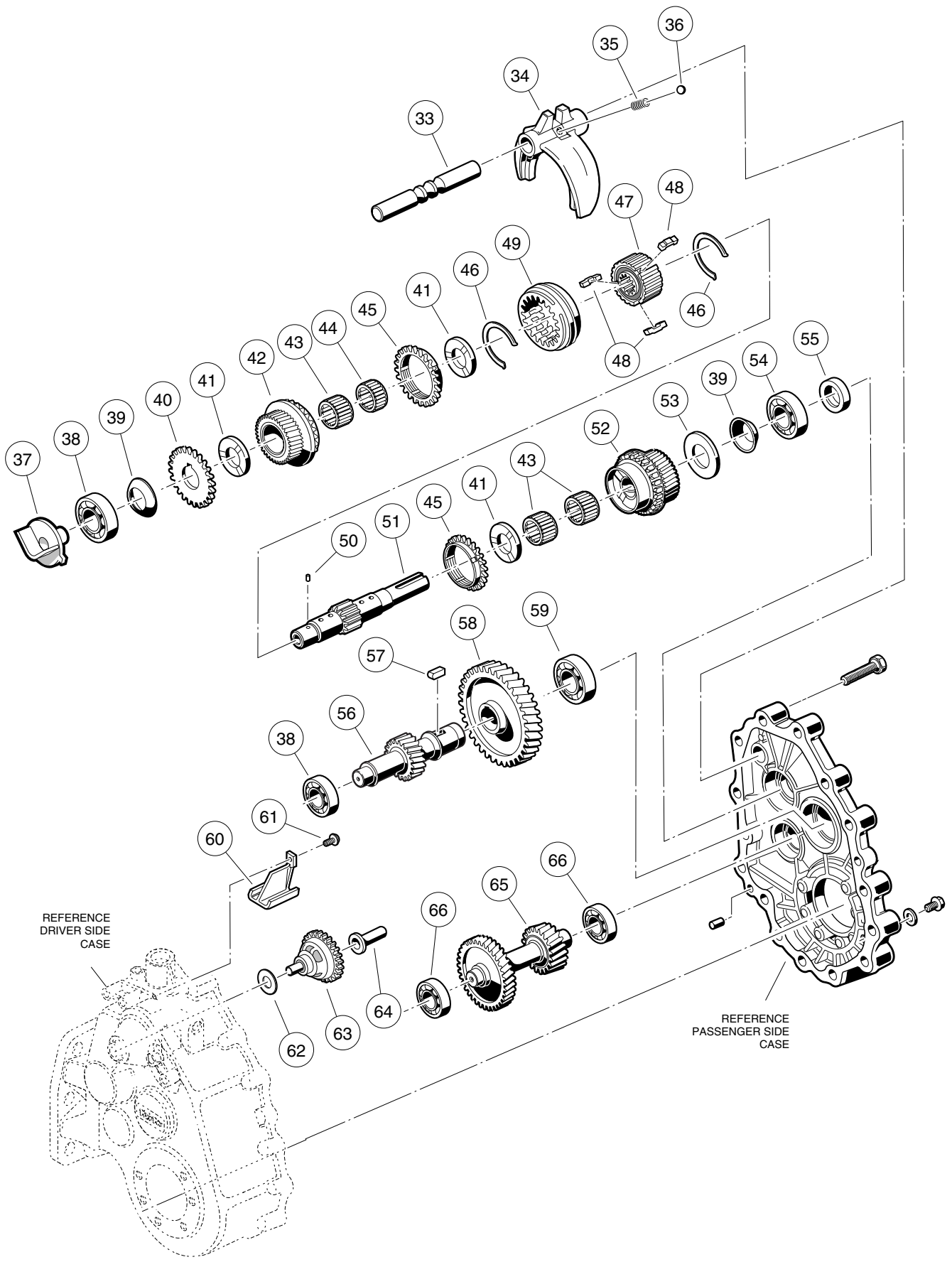


UNITIZED TRANSAXLE—GASOLINE VEHICLE

ITEM	PART NO.	DESCRIPTION	QTY
		1 2 3 4	
1	1019226-01	BRACKET, TRANSMISSION CABLE SUPPORT	1
2	1012285	SCREW, THREAD ROLLING, 1/4 - 20 x 5/8	3
	1018336-01	UNITIZED TRANSAXLE (INCLUDES ITEMS 3 - 90)	1
3	1013061	NUT, NYLON LOCK, #10 - 32	1
4	0000183	WASHER, FLAT, #10	1
5	1010954	STUD, BALL, 1/4 - 28 x 9/16	1
6	1016341	LEVER, TRANSMISSION SHIFTER	1
7	1017082	SCREW, HEX WASHER HEAD, #10 - 32 x 3/4	1
8	0008717	NUT, NYLON LOCK, 1/4 - 28	1
9	1018902-01	SHAFT, SHIFTER	1
10	1017231	KEY, WOODRUFF	1
11	1019273-01	RING, SNAP	1
12	1018929-01	WASHER, FLAT	1
13	1019272-01	SEAL, OIL	1
14	1018901-01	LEVER, SHIFTER	1
15	1012752	PIN, ROLL	1
16	1018348-01	ARM, GOVERNOR LEVER	1
17	1018861-01	SCREW, SQUARE HEAD, 1/4 - 20 x 1	1
18	1014007	WASHER, FLAT, TYPE B, 1/4	1
19	0008233	NUT, NYLON LOCK, 1/4 - 20	1
20	1019286-01	PIN, COTTER	1
21	1016513	WASHER, FLAT	1
22	1019271-01	SEAL, OIL	1
23	1018938-01	WASHER	1
24	1018913-01	ARM, PIVOT	1
25	1018906-01	GEAR CASE (RIGHT)	1
26	1018905-01	GEAR CASE (LEFT)	1
27	1019269-01	BOLT, FLANGED, M8 x 1.25 x 40MM	15
28	1012896	PIN, DOWEL	2
29	1013759	PLUG, DRAIN (INCLUDES ITEM 30)	2
30	1016432	GASKET	1
31	1012711	BREATHER	1
32	1019287-01	GASKET, LIQUID, 8.8 OZ. (250 GRAMS)	A/R

12

G

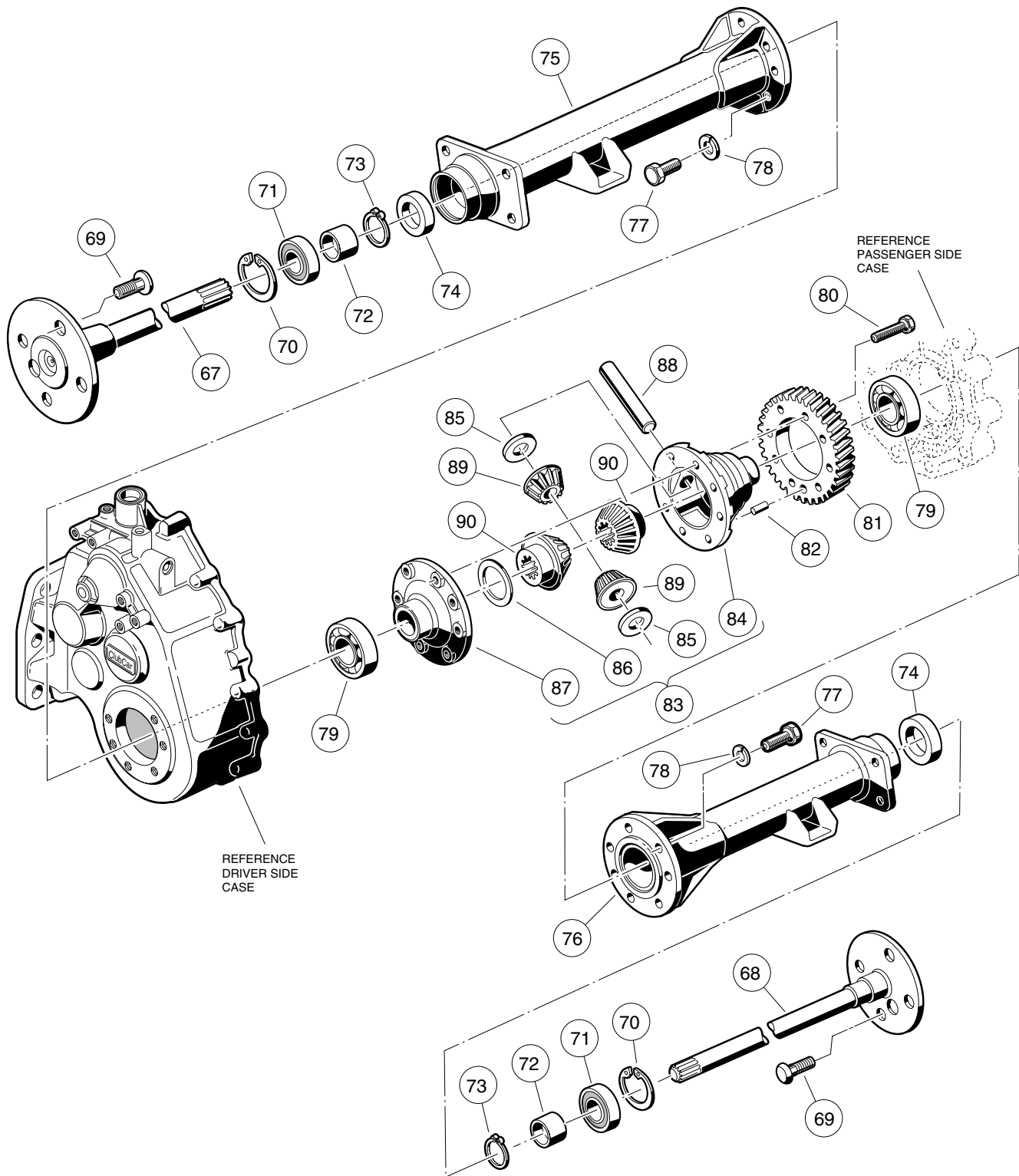


UNITIZED TRANSAXLE—GASOLINE VEHICLE

ITEM	PART NO.	DESCRIPTION	QTY
		1 2 3 4	
33	1018920-01	ROD, SHIFT	1
34	1018900-01	FORK, SHIFT	1
35	1012748	SPRING	1
36	1012747	BALL, STEEL	1
37	1018894-01	GUIDE	1
38	0007336	BEARING, BALL	2
39	1016338	WASHER, SPRING	2
40	1018924-01	GEAR, SPUR	1
41	1018922-01	PLATE, THRUST	3
42	1018897-01	GEAR ASSEMBLY, 28 TOOTH, INPUT	1
43	1019276-01	BEARING, NEEDLE	3
44	1019275-01	BEARING, NEEDLE	1
45	1012742	RING, SYNCHRONIZER	2
46	1012741	SPRING, SYNCHRONIZER	2
47	1019280-01	HUB, SYNCHRONIZER CLUTCH	1
48	1012740	INSERT, SYNCHRONIZER	3
49	1019279-01	SLEEVE, SYNCHRONIZER	1
50	1019277-01	PIN, DOWEL	1
51	1018899-01	SHAFT, INPUT	1
52	1018896-01	GEAR ASSEMBLY, 25 TOOTH, INPUT	1
53	1016337	WASHER, THRUST	1
54	1019278-01	BEARING, BALL	1
55	1012714	SEAL, OIL, INPUT SHAFT	1
56	1018926-01	GEAR, 17 TOOTH	1
57	1018932-01	KEY	1
58	1018925-01	GEAR, 61 TOOTH	1
59	1019281-01	BEARING, BALL	1
60	1018895-01	GUIDE, OIL FLOW.....	1
61	1019282-01	SCREW, M8 x 1.25 x 10 MM	1
62	1018939-01	WASHER	1
63	1018923-01	GOVERNOR ASSEMBLY	1
64	1018916-01	SLEEVE	1
65	1018919-01	GEAR, CLUSTER IDLER	1
66	0007335	BEARING, BALL	2

12

G



UNITIZED TRANSAXLE—GASOLINE VEHICLE

ITEM	PART NO.	DESCRIPTION	QTY
		1 2 3 4	
67	1018915-01	AXLE ASSEMBLY, DRIVER SIDE (INCLUDES ITEMS 69 - 73)	1
68	1018914-01	AXLE ASSEMBLY, PASSENGER SIDE (INCLUDES ITEMS 69 - 73)	1
69	1013787	STUD, LUG	4
70	1013792	RING, RETAINING	1
71	1011291	BEARING, OUTER AXLE TUBE	1
72	1014207	BUSHING, 25 MM I. D.	1
73	1016672	RING, RETAINING	1
74	1013794	SEAL, OIL	1
75	1018910-01	ASSEMBLY, AXLE TUBE, DRIVER SIDE	1
76	1018909-01	ASSEMBLY, AXLE TUBE, PASSENGER SIDE	1
77	1013790	BOLT, M10 x 1.5 x 30MM	14
78	1013791	WASHER, LOCK, M10	14
79	0007330	BEARING, INNER AXLE TUBE	2
80	1019283-01	BOLT, M8 x 1.25 x 37MM	8
81	1018927-01	GEAR, OUTPUT	1
82	1014193	PIN, DOWEL	1
83	1019105-01	KIT, DIFFERENTIAL GEAR CASE (INCLUDES ITEMS 84 - 87)	1
84	1013768	CASE, GEAR CARRIER	1
85	1013774	PLATE, THRUST (IDLER GEAR)	2
86	1013773	PLATE, THRUST (DIFFERENTIAL GEAR)	1
87	1013769	COVER, GEAR CASE	1
88	1013772	PIN, DIFFERENTIAL	1
89	1013770	GEAR, DIFFERENTIAL IDLER	2
90	1013771	GEAR, DIFFERENTIAL	2



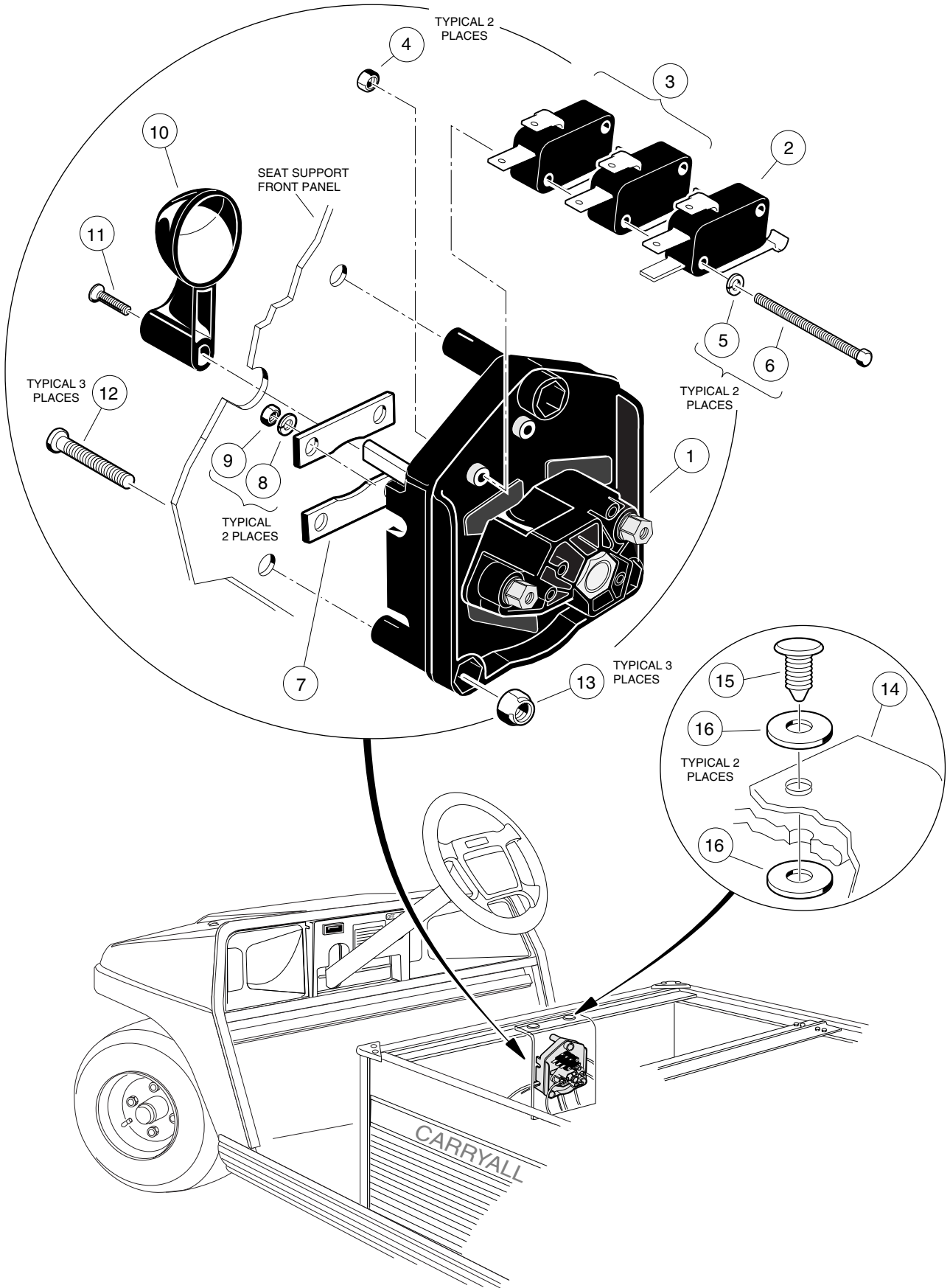
12

G

ELECTRICAL SYSTEM— ELECTRIC VEHICLE

13

E

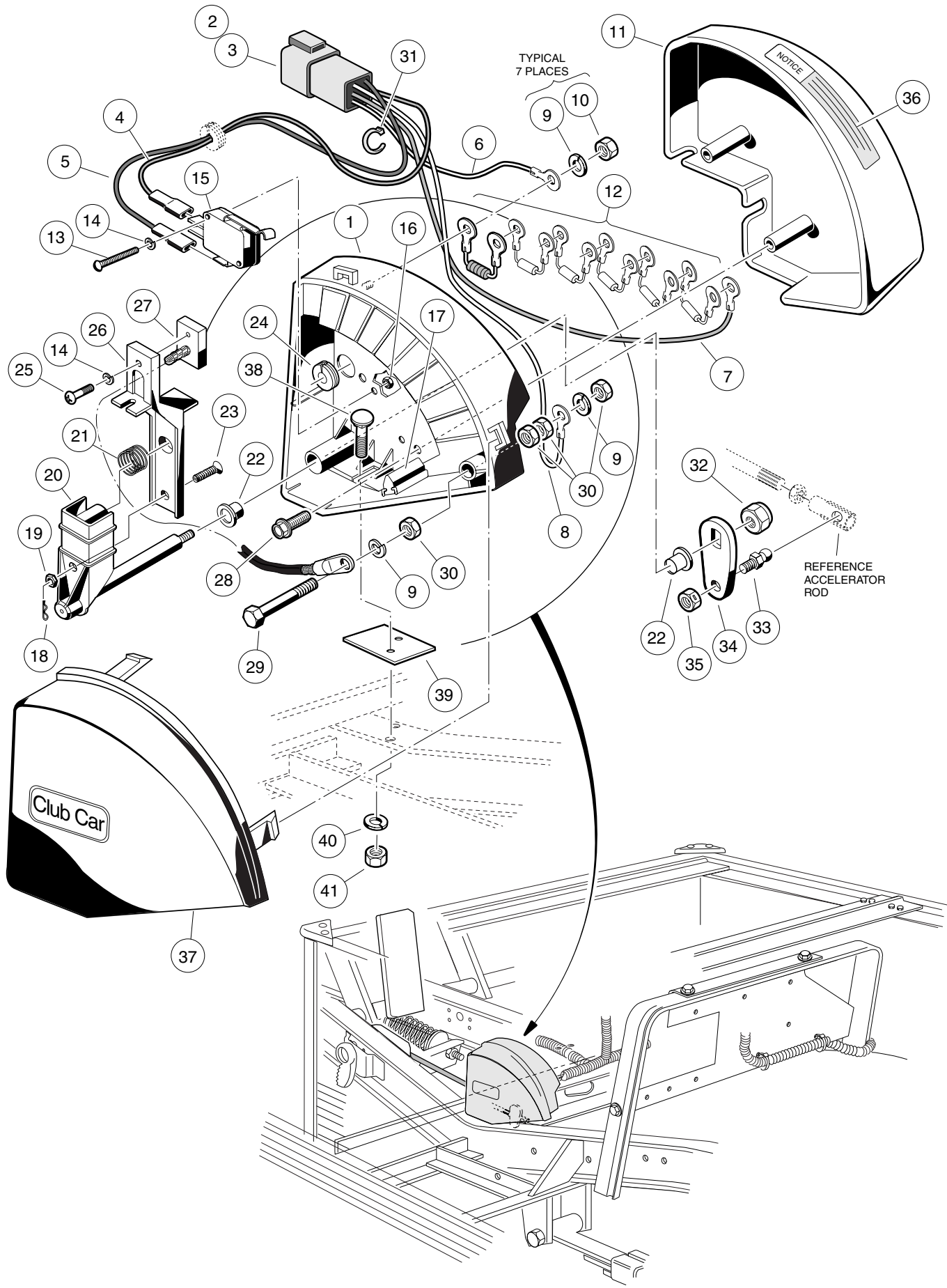


FORWARD AND REVERSE SWITCH— POWERDRIVE ELECTRIC VEHICLE

13

E

ITEM	PART NO.	DESCRIPTION	QTY
		1 2 3 4	
1	1017530-05	ASSEMBLY, FORWARD AND REVERSE SWITCH (INCLUDES ITEMS 2 - 9)	1
2	1014807	SWITCH, LIMIT	1
3	1014808	SWITCH, LIMIT	2
4	0008057	NUT, HEX, #4 - 40	2
5	0008058	WASHER, LOCK, #4	2
6	1014871	SCREW, HEX WASHER HEAD, #4 - 40 x 2	2
7	1017799	BAR, BUS	2
8	0000451	WASHER, LOCK, 1/4	4
9	0001028	NUT, HEX, 1/4 - 20	4
10	1012987	HANDLE, FORWARD AND REVERSE SWITCH	1
11	1013198	SCREW, PHILLIPS HEAD MACHINE, #8 - 32 x 5/8	1
12	1016845	SCREW, PHILLIPS TRUSS HEAD, 1/4 - 20 x 2 1/8	3
13	0008233	NUT, NYLON LOCK, 1/4 - 20	3
14	1018962-01	KIT, FORWARD AND REVERSE SWITCH COVER (INCLUDES ITEM 15) (CARRYALL I AND II)	1
15	1010434	BARREL, PLASTIC	2
16	1014306	WASHER, FLAT, TYPE B, 1/4 (CARRYALL I AND II)	4

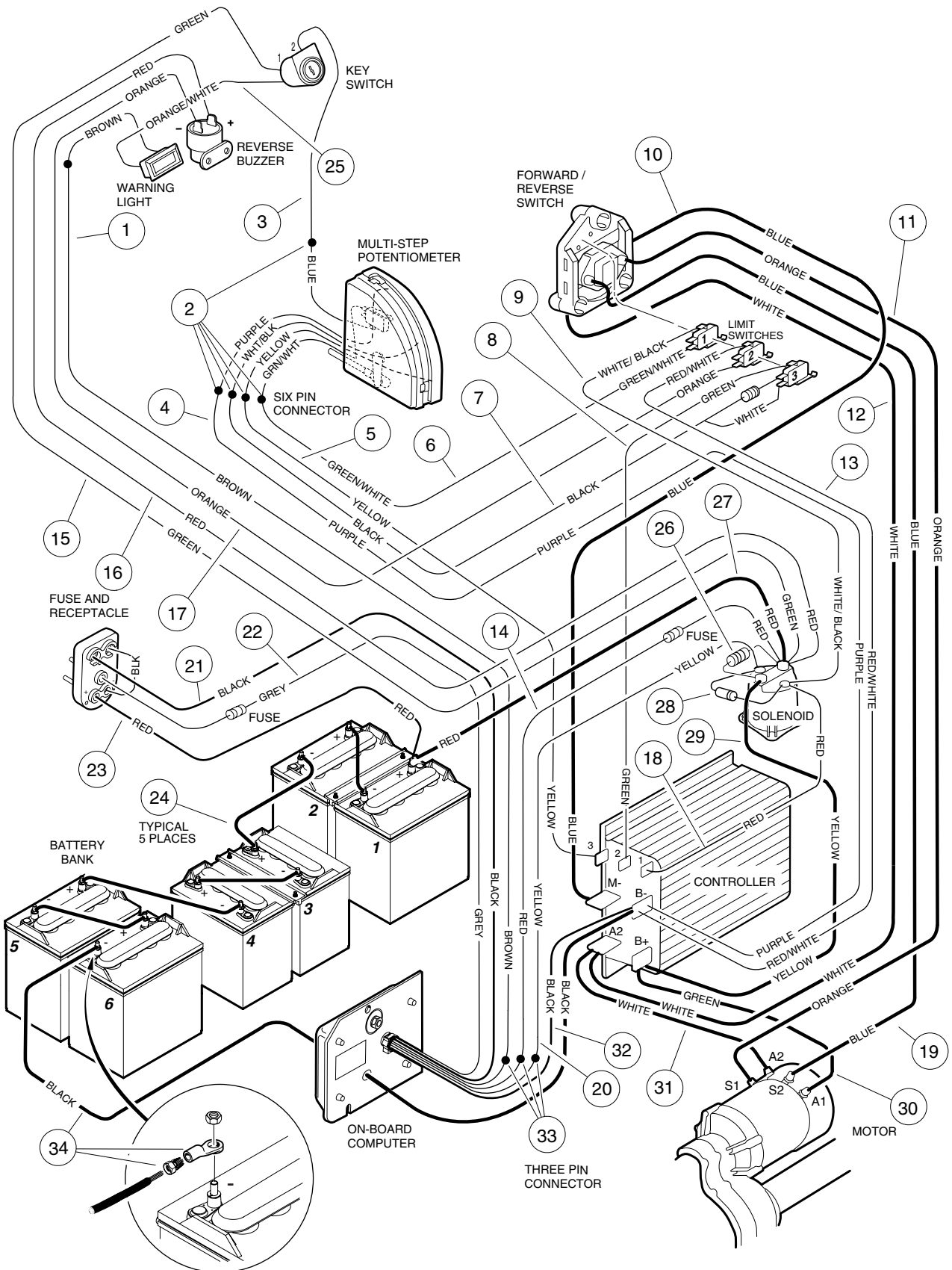


MULTI-STEP POTENTIOMETER— CARRYALL I POWERDRIVE ELECTRIC VEHICLE

13

E

ITEM	PART NO.	DESCRIPTION	QTY
		1 2 3 4	
	1019320-03	ASSEMBLY, WIPER SWITCH (INCLUDES ITEMS 1 - 37)	1
1	1014999	ASSEMBLY, WIPER SWITCH CASE, 6 SPEED	1
2	1019580-02	ASSEMBLY, 5-WIRE AND RECEPTACLE (INCLUDES ITEMS 3 - 8)	1
3	1019326-01	KIT, 6-PIN RECEPTACLE	1
4	N/A	WIRE ASSEMBLY, #18 GREEN/WHITE	1
5	N/A	WIRE ASSEMBLY, #18 BLUE	1
6	N/A	WIRE ASSEMBLY, #18 BLACK/WHITE	1
7	N/A	WIRE ASSEMBLY, #18 PURPLE.....	1
8	N/A	WIRE ASSEMBLY, #18 YELLOW.....	1
9	0000451	WASHER, LOCK, 1/4	17
10	0001014	NUT, BRASS HEX, 1/4 - 20	15
11	1019469-01	PROTECTOR, WIPER SWITCH RESISTOR	1
12	1019711-01	KIT, RESISTOR ASSEMBLY	1
13	0008056	SCREW, ROUND HEAD MACHINE, #4 - 40 x 3/4	2
14	0008058	WASHER, LOCK, #4	3
15	1014807	SWITCH, LIMIT.....	1
16	0008057	NUT, HEX, #4 - 40	2
17	1014414	BUMPER, WIPER SWITCH	1
18	1014413	PIN, HAIR SPRING COTTER	1
19	0007893	NUT, HEX, #10 - 32	1
20	1014017	CARRIER, WIPER SWITCH ARM	1
21	1013998	SPRING, WIPER SWITCH BRUSH	1
22	1012903	BEARING, BRONZE	2
23	1014000	STUD, WIPER SWITCH ADJUSTING	1
24	1014010	GROMMET, SPLIT	1
25	1014019	SCREW, SELF-TAPPING, #4 - 40 x 3/8	1
26	1013887	ARM, SPEED SWITCH	1
27	1013860	ASSEMBLY, SWITCH BRUSH	1
28	1013461	SCREW, HEX HEAD HI-LO, #10 - 16 x 1/2	2
29	1014189	SCREW, HEX HEAD CAP, 1/4 - 20 x 2	1
30	1014253	NUT, BRASS HEX JAM, 1/4 - 20	3
31	0008990	WRAP, TIE	1
32	0007473	NUT, NYLON LOCK, 5/16 - 18	1
33	1012353	STUD, SHORT BALL, 1/4 - 28	1
34	1014003	CRANK, BELL	1
35	0008449	NUT, DIMPLED LOCK, 1/4 - 28	1
36	1016109-01	DECAL, WIPER SWITCH WARNING	1
37	1013886	COVER, WIPER SWITCH	1
38	1014109	BOLT, CARRIAGE, #10 - 24 x 1	2
39	1019492-01	SHIM, WIPER SWITCH	1
40	1016175	WASHER, LOCK, #10	2
41	0001017	NUT, HEX, #10 - 24	2



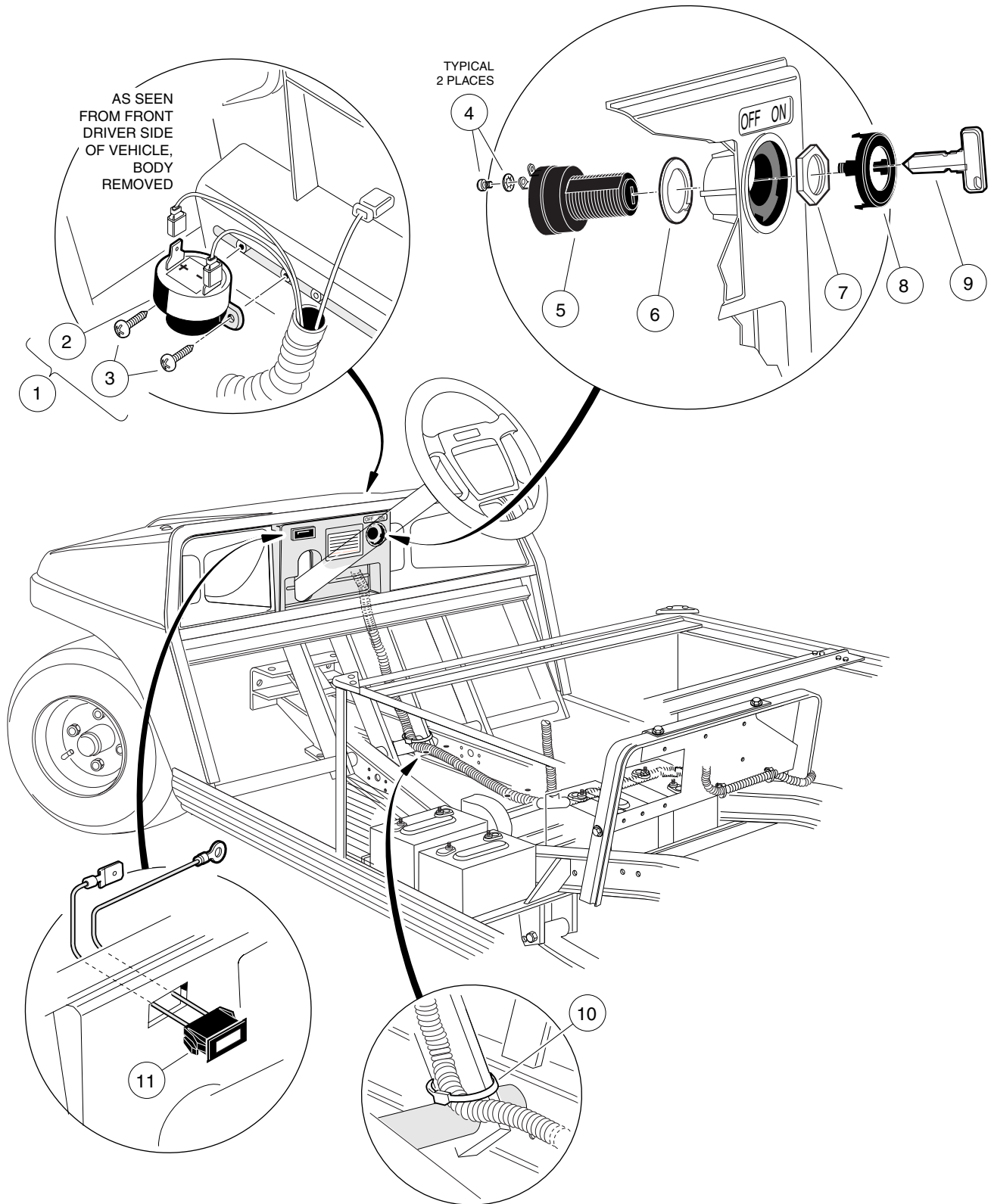
WIRING—

CARRYALL I POWERDRIVE ELECTRIC VEHICLE

13

E

ITEM	PART NO.	DESCRIPTION	QTY
		1 2 3 4	
	1019110-02	WIRE HARNESS (INCLUDES ITEMS 1 - 20)	1
1	N/A	WIRE ASSEMBLY, #18 BROWN	1
2	1019327-01	KIT, 6-PIN PLUG ASSEMBLY	1
3	N/A	WIRE ASSEMBLY, #18 BLUE	1
4	N/A	WIRE ASSEMBLY, #18 PURPLE	1
5	N/A	WIRE ASSEMBLY, #18 YELLOW	1
6	N/A	WIRE ASSEMBLY, #18 GREEN/WHITE	1
7	1018830-02	WIRE ASSEMBLY, #18 BLACK (INCLUDES RESISTOR AND #18 WHITE WIRE)	1
8	N/A	WIRE ASSEMBLY, #18 GREEN	1
9	N/A	WIRE ASSEMBLY, #18 WHITE/BLACK	1
10	1019014-01	WIRE ASSEMBLY, #6 BLUE	1
11	1019012-01	WIRE ASSEMBLY, #6 ORANGE	1
12	1019111-01	WIRE ASSEMBLY, #6 WHITE	1
13	N/A	WIRE ASSEMBLY, #18 RED/WHITE	1
14	N/A	WIRE ASSEMBLY, #18 RED	1
15	N/A	WIRE ASSEMBLY, #18 GREEN	1
16	N/A	WIRE ASSEMBLY, #18 RED	1
17	N/A	WIRE ASSEMBLY, #18 ORANGE	1
18	N/A	WIRE ASSEMBLY, #18 RED	1
19	1019013-01	WIRE ASSEMBLY, #6 BLUE	1
20	N/A	WIRE ASSEMBLY, #18 YELLOW	1
21	N/A	WIRE ASSEMBLY, #10 BLACK (PART OF ON-BOARD COMPUTER ASSEMBLY)	1
22	N/A	WIRE ASSEMBLY, #18 GRAY (PART OF ON-BOARD COMPUTER ASSEMBLY)	1
23	N/A	WIRE ASSEMBLY, #10 RED (PART OF FUSE AND RECEPTACLE ASSEMBLY)	1
24	1017957-01	WIRE ASSEMBLY, #6 BLACK	5
25	N/A	WIRE ASSEMBLY, #18 ORANGE/WHITE (PART OF BATTERY LIGHT)	1
26	1014947	ASSEMBLY, RESISTOR	1
27	1019028-01	WIRE ASSEMBLY, #6 RED	1
28	1014948	ASSEMBLY, DIODE	1
29	1019030-01	WIRE ASSEMBLY, #6 YELLOW	1
30	1019029-01	WIRE ASSEMBLY, #6 GREEN	1
31	1014856	WIRE ASSEMBLY, #6 WHITE	1
32	N/A	WIRE ASSEMBLY, #10 BLACK (PART OF ON-BOARD COMPUTER ASSEMBLY)	1
33	1019201-01	KIT, 3-PIN PLUG ASSEMBLY	1
34	1018278-01	KIT, WIRE AND TERMINAL, #6 BLACK	1

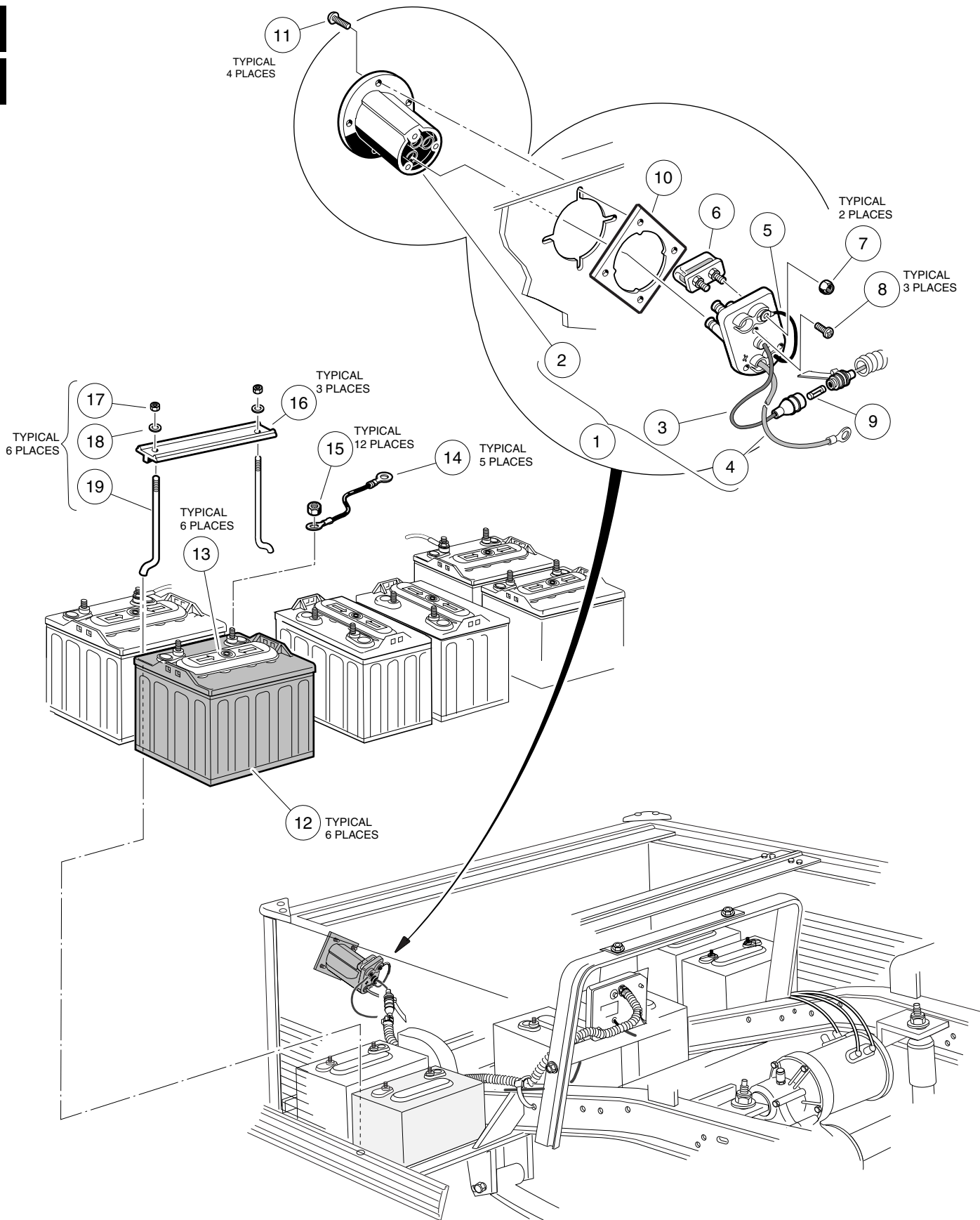


ELECTRICAL COMPONENTS, FRONT BODY— CARRYALL I AND II POWERDRIVE ELECTRIC VEHICLES

ITEM	PART NO.	DESCRIPTION	QTY
		1 2 3 4	
1	1016859	KIT, REVERSE BUZZER (INCLUDES ITEMS 2 AND 3)	1
2	1016851	BUZZER, REVERSE	1
3	1016849	SCREW, PAN HEAD HI-LO, #4 - 24 x 5/16	2
4	1018306-01	ASSEMBLY, SCREW AND WASHER	2
5	1018262-01	SWITCH, KEY	1
6	1018511-01	WASHER	1
7	1018307-01	NUT, KEY SWITCH	1
8	1018345-02	CAP, KEY SWITCH (BLACK)	1
9	1012505	KEY (PAIR)	1
10	0008990	TIE, WIRE	2
11	1019355-01	LIGHT, BATTERY WARNING (AMBER)	1

13

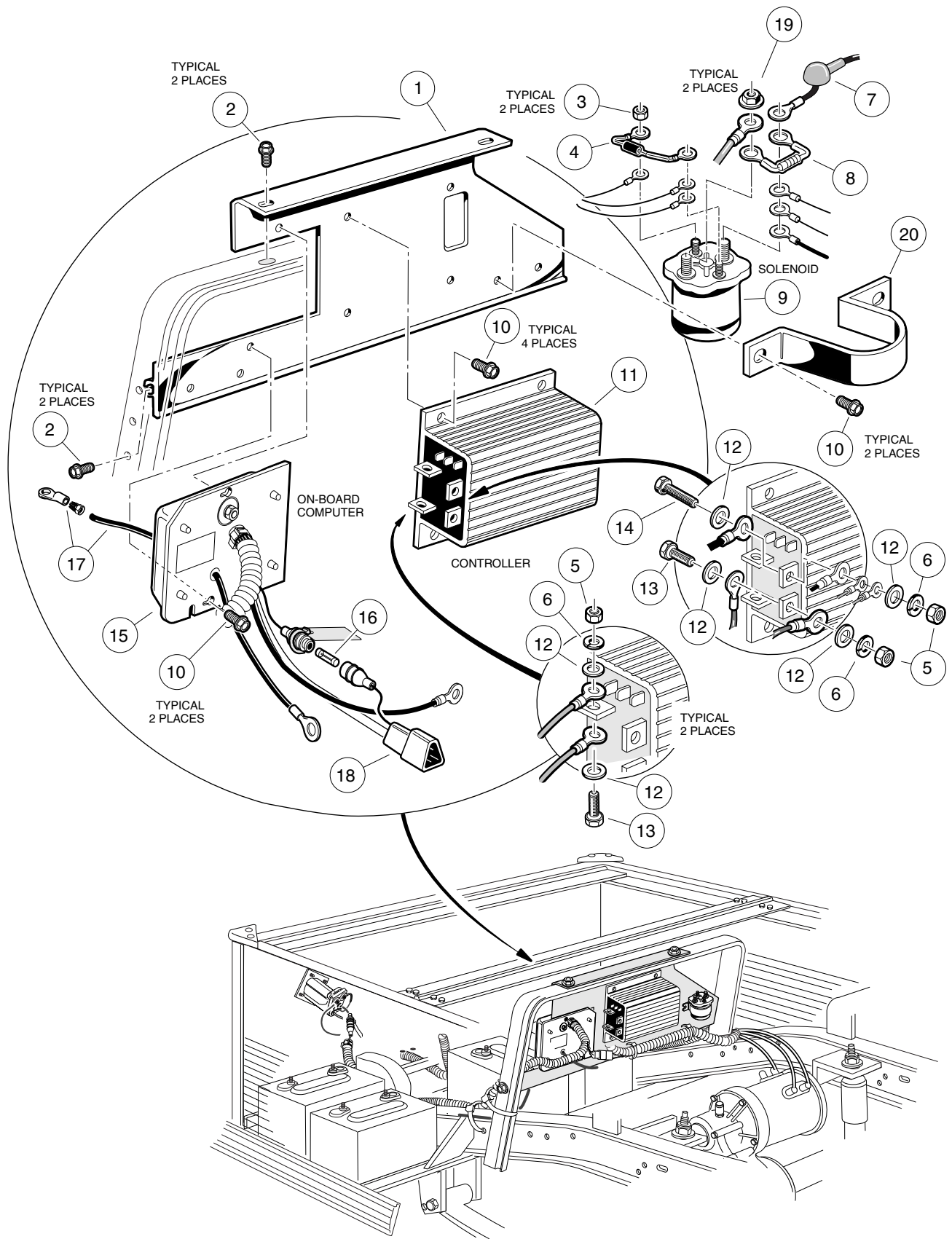
E



BATTERIES, CHARGER RECEPTACLE— CARRYALL I POWERDRIVE ELECTRIC VEHICLE

ITEM	PART NO.	DESCRIPTION	QTY
		1 2 3 4	
1	1018021-01	KIT, FUSE AND RECEPTACLE (INCLUDES ITEMS 2 - 9)	1
2	1017965-01	BEZEL, RECEPTACLE	1
3	N/A	WIRE ASSEMBLY, SENSE LEAD, GRAY	1
4	N/A	WIRE ASSEMBLY, #10 RED	1
5	N/A	WIRE ASSEMBLY, #10 BLACK	1
6	1017968-01	ASSEMBLY, FUSE, 48 VOLT (INCLUDES ITEM 7)	1
7	1013061	NUT, NYLON LOCK, #10	2
8	1017705	SCREW, PHILLIPS PAN HEAD, #8 TYPE AB	3
9	1018949-01	ASSEMBLY, FUSE, 3/8 AMP	1
10	1018010-01	PLATE, RECEPTACLE BACKING	1
11	1018320-01	SCREW, PHILLIPS PAN HEAD, #7 - 18 x 3/4	4
12	1017977-01	BATTERY, 8 VOLT POWERDRIVE	6
12	1017977-02	BATTERY, 8 VOLT POWERDRIVE, DRY	6
13	1017978-01	CAP, BATTERY, 4 PORT GANG	6
14	1017957-01	WIRE ASSEMBLY, #6 BLACK	5
15	1014304	NUT, HEX, STAINLESS STEEL, 5/16 - 18	12
16	1018030-01	HOLD-DOWN, BATTERY	3
17	1015072	NUT, NYLON LOCK, STAINLESS STEEL, 5/16 - 18	6
18	1011578	WASHER, FLAT, TYPE B WIDE, 5/16	6
19	1013683	J-BOLT	6

13
E

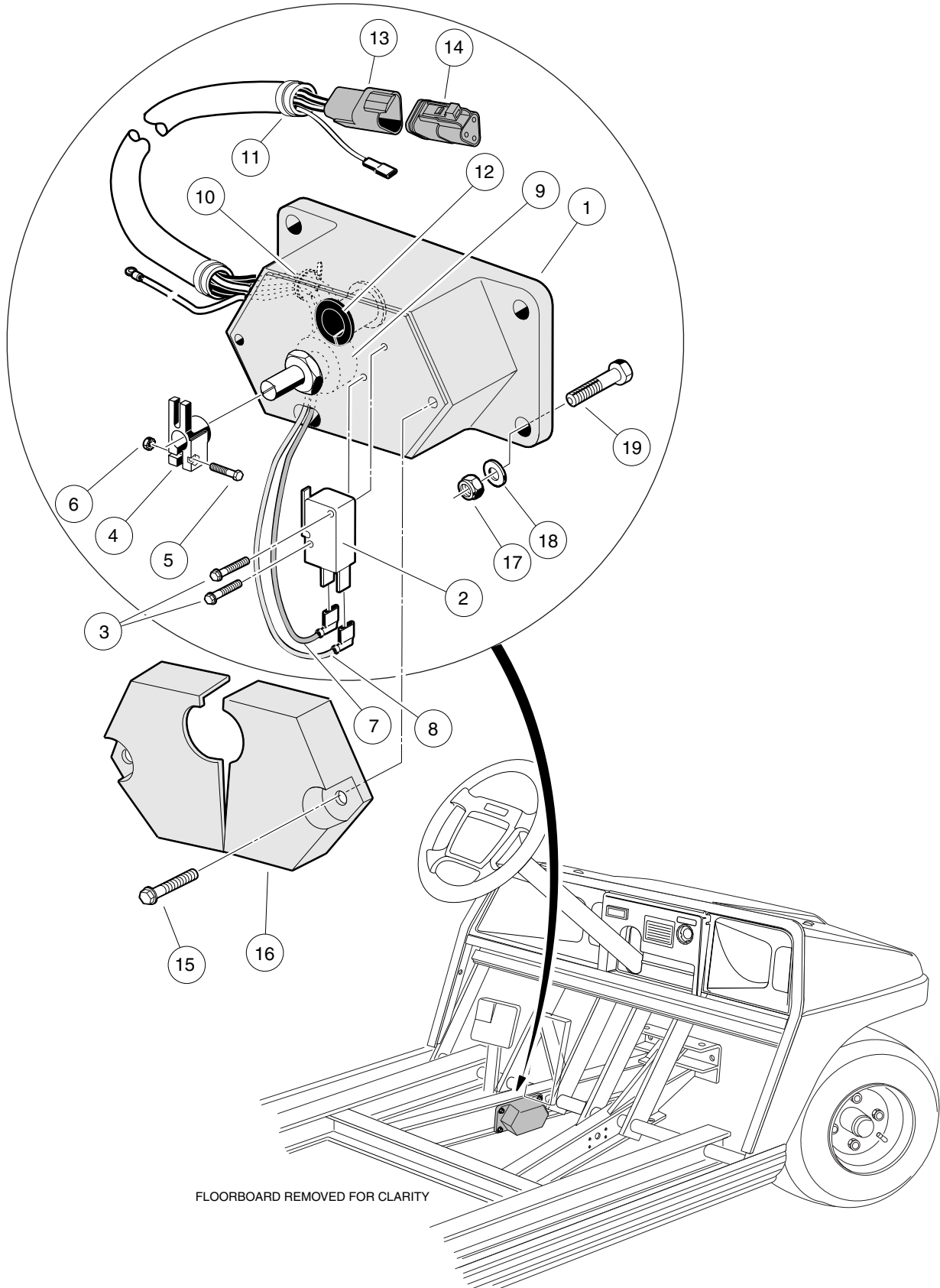


COMPUTER, CONTROLLER, AND SOLENOID— CARRYALL I POWERDRIVE ELECTRIC VEHICLE

ITEM	PART NO.	DESCRIPTION	QTY
		1 2 3 4	
1	1019652-01	PLATE, COMPONENT MOUNTING	1
2	1014288	SCREW, THREAD-FORMING, 5/16 - 18 x 3/4	4
3	0007893	NUT, HEX, #10 - 32	2
4	1014948	ASSEMBLY, DIODE	1
5	0001242	NUT, HEX, 5/16 - 18	5
6	0007174	WASHER, LOCK, 5/16	5
7	1019026-01	BOOT, WIRE	1
8	1014947	ASSEMBLY, RESISTOR	1
9	1018836-01	SOLENOID, 48 VOLT (WITH MOUNTING BRACKET)	1
10	1012285	SCREW, THREAD-ROLLING, 1/4 - 20 x 5/8	8
11	1018402-03	CONTROLLER, 48 VOLT (300 AMP)	1
12	0001241	WASHER, FLAT, 5/16	6
13	0007173	BOLT, HEX HEAD, 5/16 - 18 x 3/4	3
14	0001218	BOLT, HEX HEAD, 5/16 - 18 x 1 1/4	1
15	1019099-01	COMPUTER, ON-BOARD (INCLUDES ITEMS 16, 17 AND 18)	1
16	1018949-01	FUSE ASSEMBLY, 3/8 AMP	2
17	1018278-01	KIT, WIRE AND TERMINAL, #6 BLACK	1
18	1019423-01	KIT, 3-PIN RECEPTACLE	1
19	1017237	NUT, FLANGE, 5/16 - 24	2
20	1019579-01	BRACKET, MOUNTING	1

13
E

13
E



FLOORBOARD REMOVED FOR CLARITY

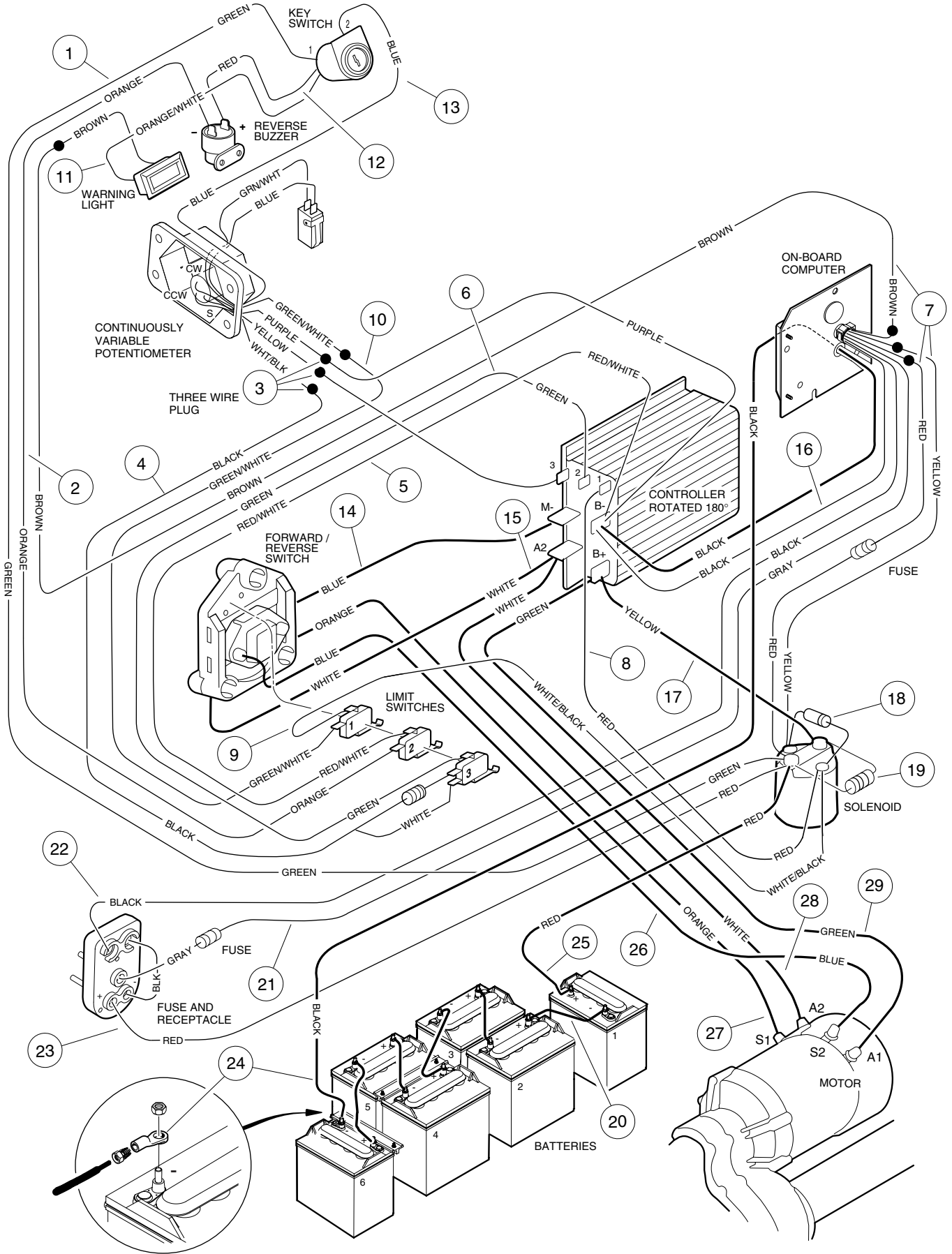
CONTINUOUSLY VARIABLE POTENTIOMETER— CARRYALL II AND VI POWERDRIVE ELECTRIC VEHICLES

ITEM	PART NO.	DESCRIPTION	QTY
		1 2 3 4	
	1017392-01	ASSEMBLY, POTENTIOMETER HOUSING WITH GREY PLUG (INCLUDES ITEMS 1 - 13)	1
1	N/A	HOUSING, POTENTIOMETER	1
2	1017830	SWITCH, LIMIT	1
3	1018226-01	SCREW, HEX HEAD, #4 - 24	2
4	1018090-01	LEVER, POTENTIOMETER	1
5	1017853	SCREW, HEX HEAD, #6 - 32 x 3/4	1
6	1011229	NUT, LOCK, "K", #6 - 32	1
7	N/A	WIRE ASSEMBLY, #18 BLUE	1
8	N/A	WIRE ASSEMBLY, #18 GREEN/WHITE	1
9	N/A	POTENTIOMETER	1
10	0008990	WRAP, TIE	3
11	N/A	CONDUIT, ELECTRICAL	1
12	1017424	BEARING, PIVOT SUPPORT	1
13	1018951-01	RECEPTACLE, 3-PIN	1
14	1019201-01	KIT, 3-PIN PLUG	1
15	1018043-01	SCREW, HI-LO HEX HEAD, #8 - 18 x 1/2	2
16	1017743	COVER, ACCELERATOR	1
17	0008233	NUT, NYLON LOCK, 1/4 - 20	4
18	0000332	WASHER, FLAT, 1/4	4
19	1018619-01	SCREW, HEX HEAD CAP, 1/4 - 20 x 1 1/8	4

13

E

13
E



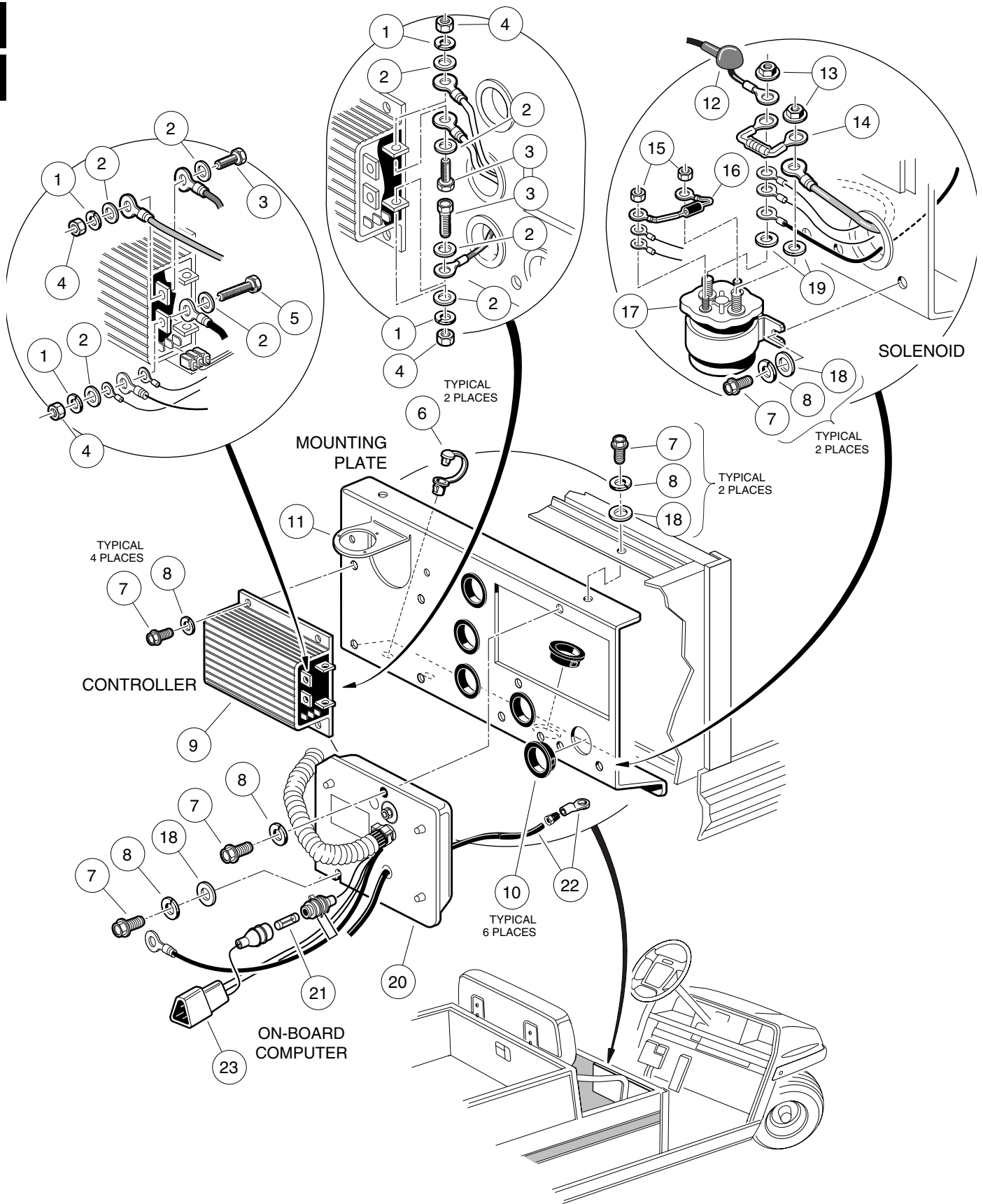
WIRING—

CARRYALL II POWERDRIVE ELECTRIC VEHICLE

ITEM	PART NO.	DESCRIPTION	QTY
		1 2 3 4	
	1019116-01	WIRE HARNESS (INCLUDES ITEMS 1 - 9)	1
1	N/A	WIRE ASSEMBLY, #18 GREEN	1
2	N/A	WIRE ASSEMBLY, #18 ORANGE	1
3	1018651-06	ASSEMBLY, 3-PIN PLUG (INCLUDES #18 PURPLE, #18 YELLOW AND ITEM 4)	1
4	1018830-02	WIRE ASSEMBLY, #18 BLACK (INCLUDES RESISTOR AND #18 WHITE WIRE)	1
5	N/A	WIRE ASSEMBLY, #18 RED/WHITE	1
6	N/A	WIRE ASSEMBLY, #18 GREEN	1
7	1019308-01	ASSEMBLY, 3-PIN PLUG (INCLUDES #18 BROWN, #18 YELLOW, AND #18 RED)	1
8	N/A	WIRE ASSEMBLY, #18 RED	1
9	N/A	WIRE ASSEMBLY, #18 WHITE/BLACK	1
10	N/A	WIRE ASSEMBLY, #18 GREEN/WHITE	1
11	N/A	WIRE ASSEMBLY, #18 ORANGE/WHITE (PART OF BATTERY LIGHT)	1
12	N/A	WIRE ASSEMBLY, #18 RED	1
13	N/A	WIRE ASSEMBLY, #18 BLUE (PART OF POTENTIOMETER ASSEMBLY)	1
14	1019088-01	WIRE ASSEMBLY, #6 BLUE	1
15	1016729	WIRE ASSEMBLY, #6 WHITE	1
16	N/A	WIRE ASSEMBLY, #10 BLACK (PART OF ON-BOARD COMPUTER ASSEMBLY)	1
17	1016732	WIRE ASSEMBLY, #6 YELLOW	1
18	1014948	ASSEMBLY, DIODE	1
19	1014947	ASSEMBLY, RESISTOR	1
20	1017957-01	WIRE ASSEMBLY, #6 BLACK	5
21	N/A	WIRE ASSEMBLY, #18 GREY (PART OF ON-BOARD COMPUTER ASSEMBLY)	1
22	N/A	WIRE ASSEMBLY, #10 BLACK (PART OF ON-BOARD COMPUTER ASSEMBLY)	1
23	N/A	WIRE ASSEMBLY, #10 RED (PART OF FUSE AND RECEPTACLE ASSEMBLY)	1
24	1018278-03	KIT, WIRE AND TERMINAL, #6 BLACK	1
25	1019045-01	WIRE ASSEMBLY, #6 RED	1
26	1019046-01	WIRE ASSEMBLY, #6 BLUE	1
27	1019047-01	WIRE ASSEMBLY, #6 ORANGE	1
28	1019089-01	WIRE ASSEMBLY, #6 WHITE	1
29	1019044-01	WIRE ASSEMBLY, #6 GREEN	1

13

E

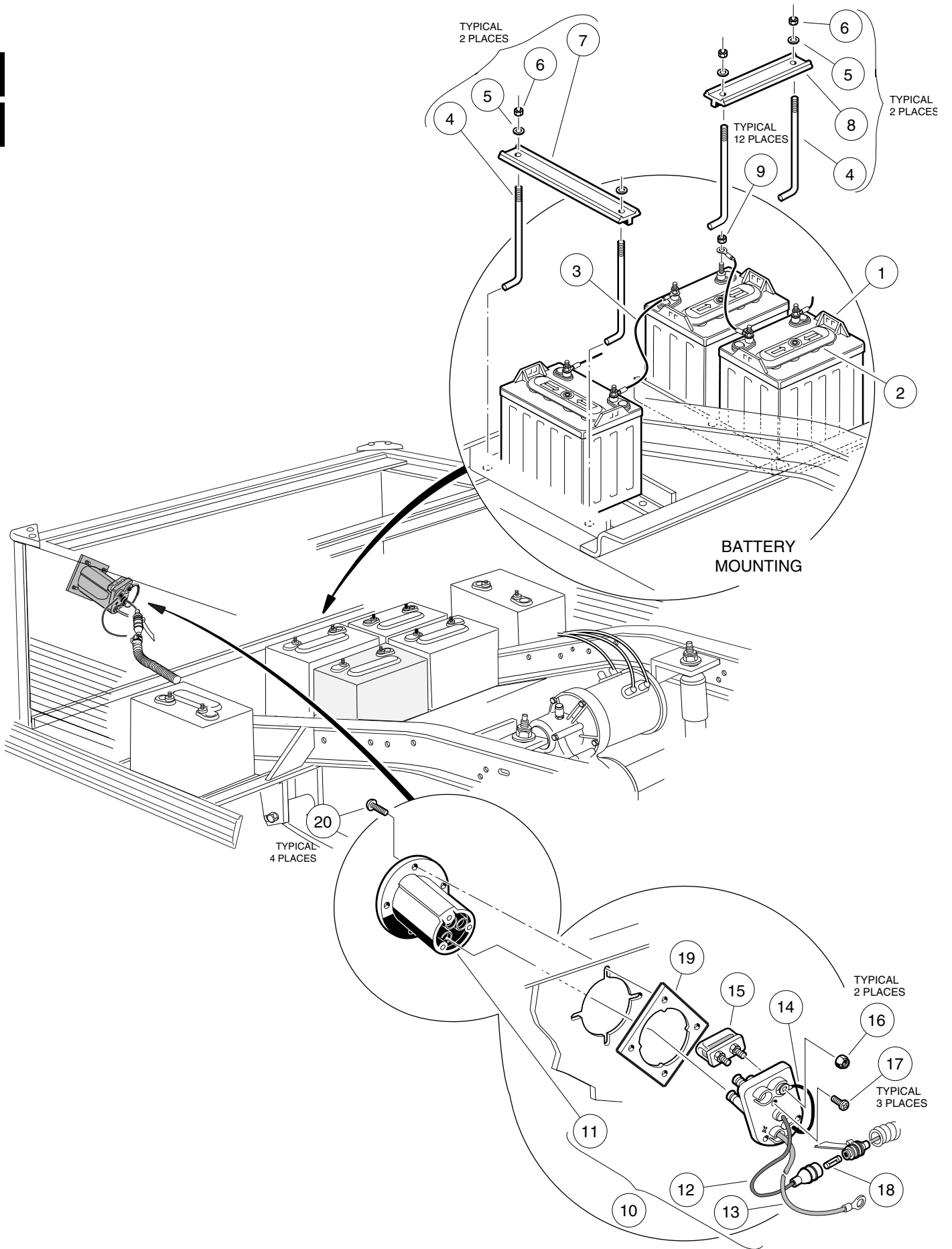


COMPUTER, CONTROLLER, AND SOLENOID— CARRYALL II POWERDRIVE VEHICLE

ITEM	PART NO.	DESCRIPTION	QTY
		1 2 3 4	
1	0007174	WASHER, LOCK, 5/16	4
2	0001241	WASHER, FLAT, 5/16	8
3	0007173	BOLT, HEX HEAD, 5/16 - 18 x 3/4	3
4	0001242	NUT, HEX, 5/16 - 18	4
5	0001218	BOLT, HEX HEAD, 5/16 - 18 x 1 1/4	1
6	1019183-01	CLAMP, WIRE	2
7	1012285	SCREW, HEX HEAD THREAD ROLLING, 1/4 - 20 x 5/8	10
8	0000451	WASHER, LOCK, 1/4	10
9	1018402-03	CONTROLLER, 48 VOLT (300 AMP)	1
10	1019243-01	BUSHING, SNAP	6
11	1019117-01	PLATE, MOUNTING	1
12	1019026-01	BOOT, WIRE	1
13	1017237	NUT, FLANGE, 5/16 - 24	2
14	1014947	ASSEMBLY, RESISTOR	1
15	0007893	NUT, HEX, #10 - 32	2
16	1014948	ASSEMBLY, DIODE	1
17	1018836-01	SOLENOID, 48 VOLT (WITH MOUNTING BRACKET)	1
18	0000332	WASHER, FLAT, 1/4	5
19	1019344-01	WASHER, FLAT, 5/16	2
20	1019099-05	COMPUTER, ON-BOARD (INCLUDES ITEMS 21, 22 AND 23)	1
21	1018949-01	FUSE ASSEMBLY, 3/8 AMP	1
22	1018278-03	KIT, WIRE AND TERMINAL, #6 BLACK	1
23	1019423-01	KIT, 3-PIN RECEPTACLE	1

13

E

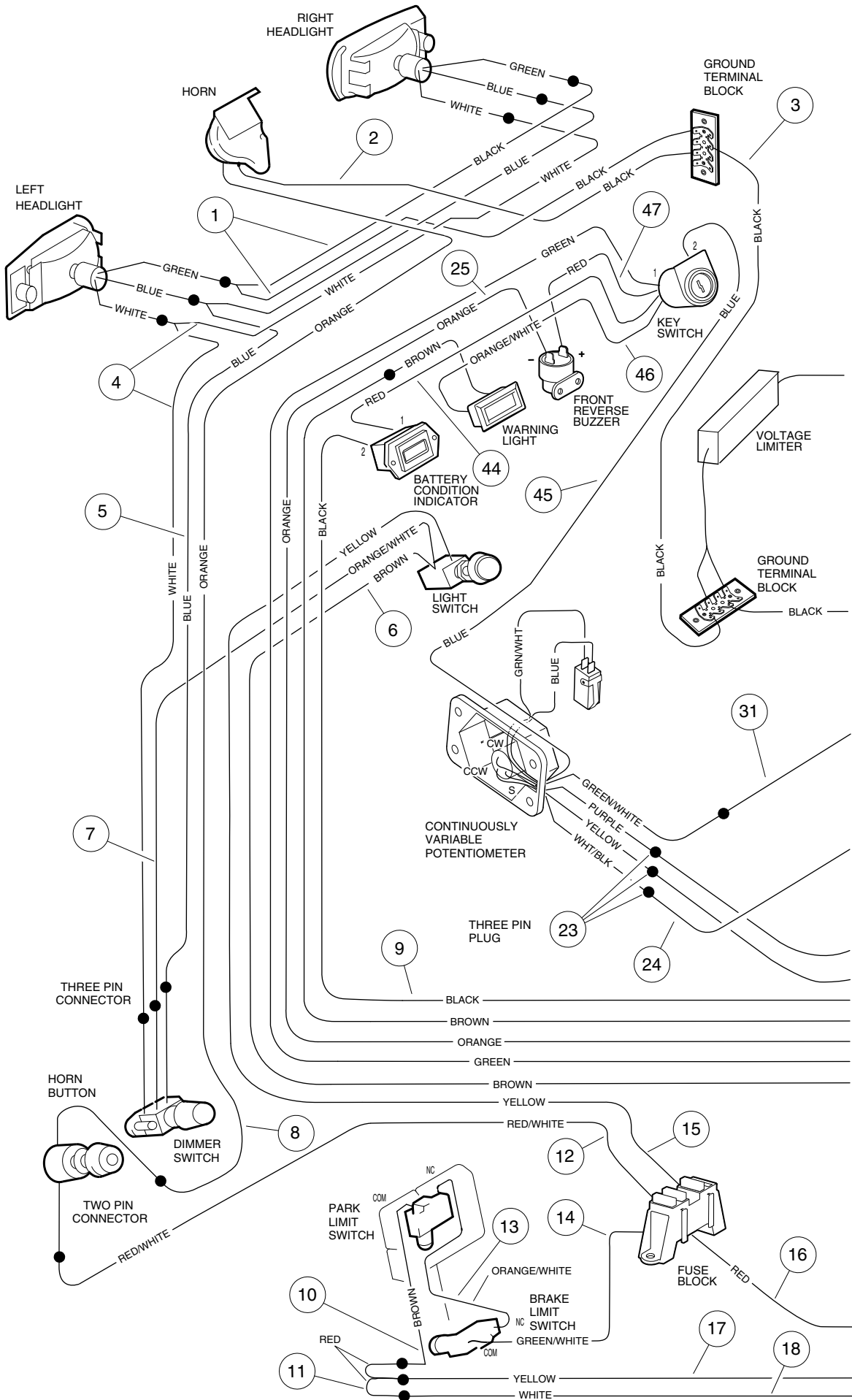


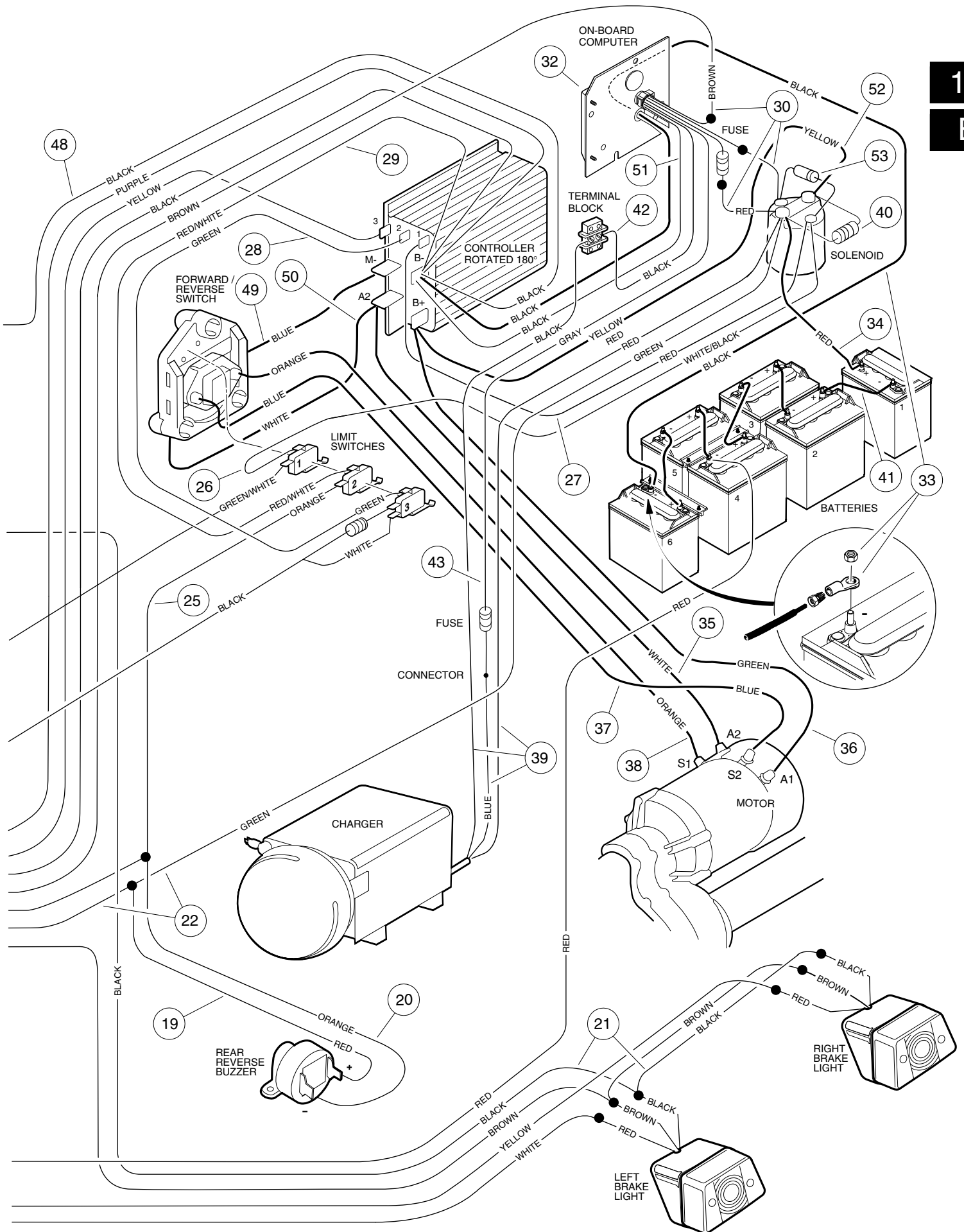
BATTERIES, CHARGER RECEPTACLE— CARRYALL II POWERDRIVE ELECTRIC VEHICLE

ITEM	PART NO.	DESCRIPTION	QTY
		1 2 3 4	
1	1017977-01	BATTERY, 8-VOLT POWERDRIVE	6
1	1017977-02	BATTERY, 8-VOLT POWERDRIVE, DRY	6
2	1017978-01	CAP, BATTERY, 4 PORT GANG	6
3	1017957-01	WIRE ASSEMBLY, #6 BLACK	5
4	1016682-01	ROD, BATTERY HOLD-DOWN	8
5	1011578	WASHER, FLAT, TYPE B WIDE, 5/16	8
6	1015072	NUT, NYLON LOCK, STAINLESS STEEL, 5/16 - 18	8
7	1018030-02	HOLD-DOWN, BATTERY, LONG	2
8	1018030-01	HOLD-DOWN, BATTERY, SHORT	2
9	1014304	NUT, HEX, STAINLESS STEEL, 5/16 -18	12
10	1018021-01	KIT, FUSE AND RECEPTACLE (INCLUDES ITEMS 11 - 18)	1
11	1017965-01	BEZEL, RECEPTACLE	1
12	N/A	WIRE ASSEMBLY, SENSE LEAD, GRAY	1
13	N/A	WIRE ASSEMBLY, #10 RED	1
14	N/A	WIRE ASSEMBLY, #10 BLACK	1
15	1017968-01	ASSEMBLY, FUSE, 48 VOLT (INCLUDES ITEM 16)	1
16	1013061	NUT, NYLON LOCK, #10	2
17	1017705	SCREW, PHILLIPS PAN HEAD, TYPE AB, #8	3
18	1018949-01	ASSEMBLY, FUSE, 3/8 AMP	1
19	1018010-01	PLATE, RECEPTACLE BACKING	1
20	1018320-01	SCREW, PHILLIPS PAN HEAD, #7 - 18 x 3/4	4

13

E





WIRING—

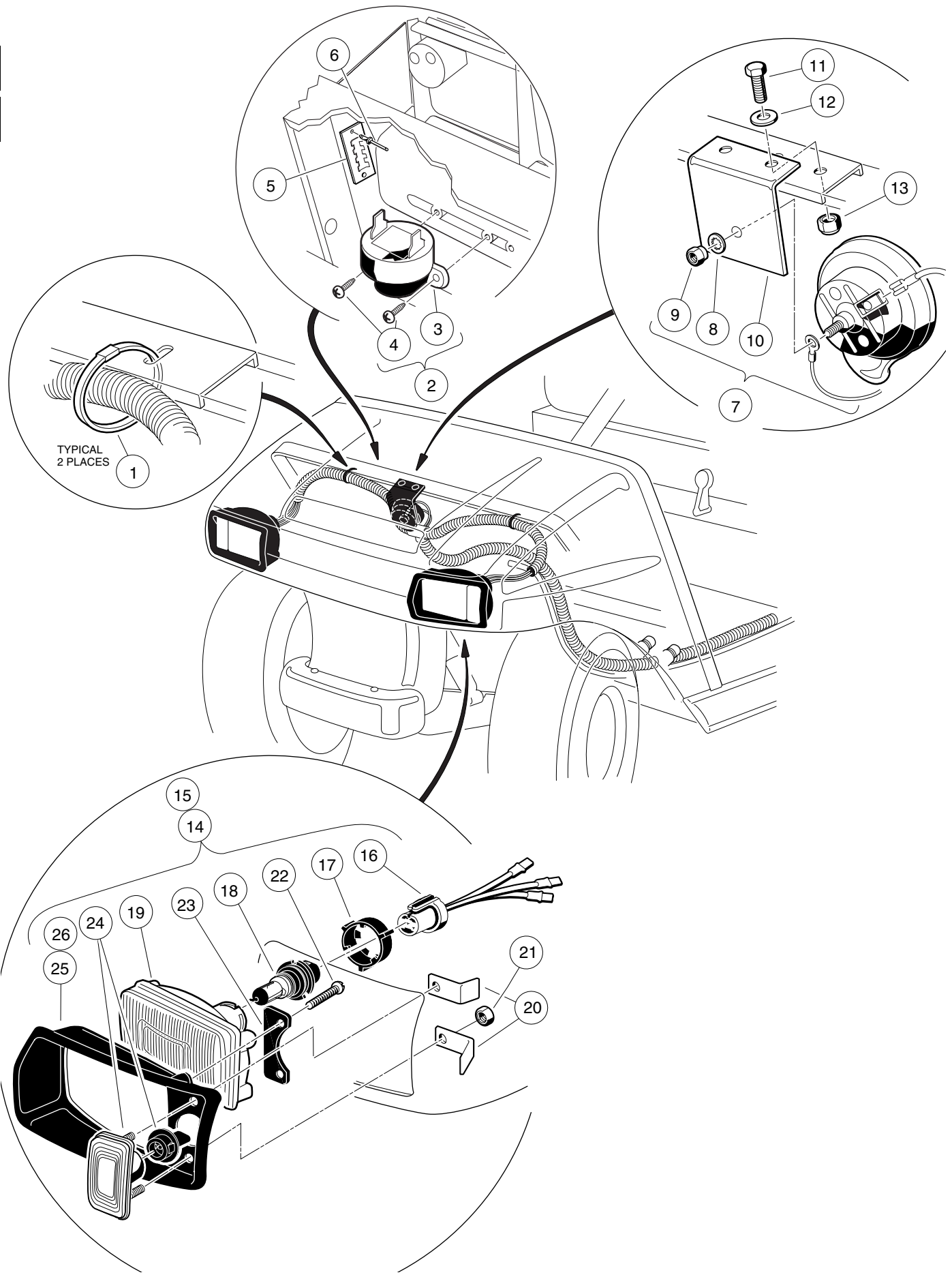
CARRYALL VI POWERDRIVE ELECTRIC VEHICLE

ITEM	PART NO.	DESCRIPTION	QTY
		1 2 3 4	
	1019693-01	WIRE HARNESS, LIGHTING (CONTAINS ITEMS 1 - 21)	1
1	N/A	WIRE ASSEMBLY, #16 BLACK	1
2	N/A	WIRE ASSEMBLY, #16 BLACK	1
3	N/A	WIRE ASSEMBLY, #14 BLACK	1
4	N/A	WIRE ASSEMBLY, #16 WHITE	1
5	N/A	WIRE ASSEMBLY, #18 BLUE	1
6	N/A	WIRE ASSEMBLY, #16 BROWN	1
7	N/A	WIRE ASSEMBLY, #16 ORANGE/WHITE	1
8	N/A	WIRE ASSEMBLY, #16 ORANGE	1
9	N/A	WIRE ASSEMBLY, #18 BLACK	1
10	N/A	WIRE ASSEMBLY, #16 BROWN	1
11	N/A	WIRE ASSEMBLY, #18 RED	1
12	N/A	WIRE ASSEMBLY, #16 RED/WHITE	1
13	N/A	WIRE ASSEMBLY, #16 ORANGE/WHITE	1
14	N/A	WIRE ASSEMBLY, #16 GREEN/WHITE	1
15	N/A	WIRE ASSEMBLY, #14 YELLOW	1
16	1016698	WIRE ASSEMBLY, #10 RED	1
17	N/A	WIRE ASSEMBLY, #18 YELLOW	1
18	N/A	WIRE ASSEMBLY, #18 WHITE	1
19	N/A	WIRE ASSEMBLY, #18 RED	1
20	N/A	WIRE ASSEMBLY, #18 ORANGE	1
21	N/A	WIRE ASSEMBLY, #16 BLACK	1
	1019116-01	WIRE HARNESS, POWER (INCLUDES ITEMS 22 - 31)	1
22	N/A	WIRE ASSEMBLY, #18 GREEN	1
23	1018651-06	ASSEMBLY, 3-WIRE PLUG (INCLUDES #18 PURPLE, #18 YELLOW AND ITEM 24)	1
24	1018830-02	WIRE ASSEMBLY, #18 BLACK (INCLUDES RESISTOR AND #18 WHITE WIRE)	1
25	N/A	WIRE ASSEMBLY, #18 ORANGE	1
26	N/A	WIRE ASSEMBLY, #18 WHITE/BLACK	1
27	N/A	WIRE ASSEMBLY, #18 RED	1
28	N/A	WIRE ASSEMBLY, #18 GREEN	1
29	N/A	WIRE ASSEMBLY, #18 RED/WHITE	1
30	1019308-01	ASSEMBLY, 3-PIN PLUG (INCLUDES #18 BROWN, #18 YELLOW, AND #18 RED)	1
31	N/A	WIRE ASSEMBLY, #18 GREEN/WHITE	1
	1019101-02	WIRE HARNESS, POWER (INCLUDES ITEMS 32 - 38)	1
32	1019099-03	COMPUTER, ON-BOARD (SEE PAGE 12-30) (INCLUDES ITEM 33)	1
33	1018278-02	KIT, WIRE AND TERMINAL, #6 BLACK	1
34	1019045-02	WIRE ASSEMBLY, #6 RED	1
35	1019089-02	WIRE ASSEMBLY, #6 WHITE	1
36	1019044-02	WIRE ASSEMBLY, #6 GREEN	1
37	1019046-02	WIRE ASSEMBLY, #6 BLUE	1
38	1019047-02	WIRE ASSEMBLY, #6 ORANGE	1
39	1018291-01	DC CORD, #10 BLUE, #10 RED, #10 BLACK (PART OF CHARGER)	1
40	1014947	ASSEMBLY, RESISTOR	1
41	1017957-01	WIRE ASSEMBLY, #6 BLACK	5
42	N/A	WIRE ASSEMBLY, #10 BLACK (PART OF ON-BOARD COMPUTER ASSEMBLY)	1
43	N/A	WIRE ASSEMBLY, #18 GREY (PART OF ON-BOARD COMPUTER ASSEMBLY)	1
44	N/A	WIRE ASSEMBLY, #16 RED	1
45	N/A	WIRE ASSEMBLY, #18 BLUE (PART OF POTENTIOMETER ASSEMBLY)	1
46	N/A	WIRE ASSEMBLY, #18 ORANGE/WHITE	1
47	N/A	WIRE ASSEMBLY, #18 RED	1
48	N/A	WIRE ASSEMBLY, #10 BLACK (PART OF VOLTAGE LIMITER ASSEMBLY)	1
49	1019088-01	WIRE ASSEMBLY, #6 BLUE	1
50	1016729	WIRE ASSEMBLY, #6 WHITE	1
51	N/A	WIRE ASSEMBLY, #10 BLACK (PART OF ON-BOARD COMPUTER ASSEMBLY)	1
52	1016732	WIRE ASSEMBLY, #6 YELLOW	1
53	1014948	ASSEMBLY, DIODE	1

13

E

13
E

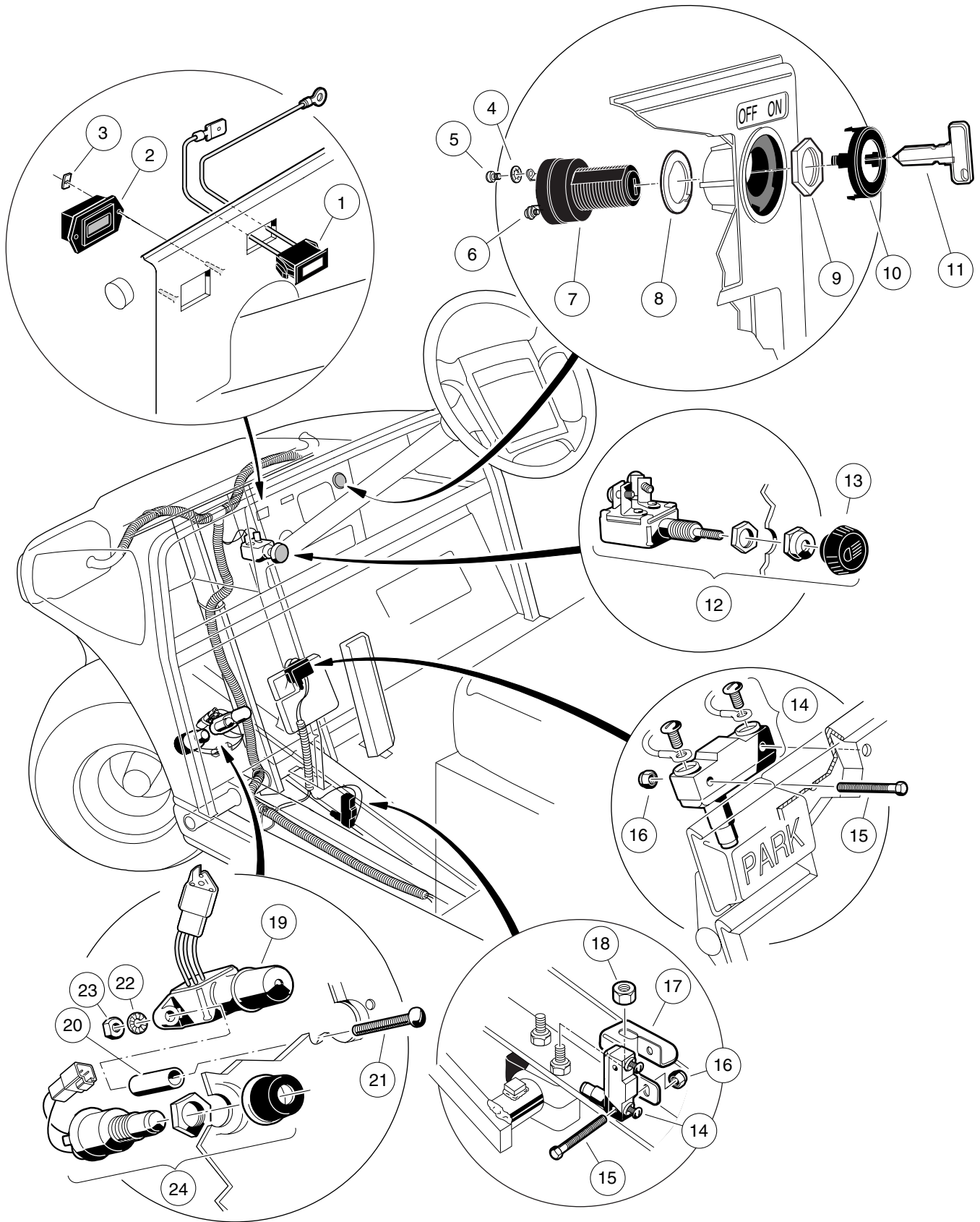


ELECTRICAL COMPONENTS, FRONT BODY— CARRYALL VI POWERDRIVE ELECTRIC VEHICLE

ITEM	PART NO.	DESCRIPTION	QTY
		1 2 3 4	
1	0008639	WRAP, TIE	2
2	1016859	KIT, REVERSE BUZZER (INCLUDES ITEMS 3 AND 4)	1
3	1016851	BUZZER, REVERSE	1
4	1016849	SCREW, PAN HEAD HI-LO, #4 - 24 x 5/16	2
5	1016356	BLOCK, TERMINAL	1
6	1013357	RIVET, ALUMINUM POP, 5/32	2
7	0004029	ASSEMBLY, HORN (INCLUDES ITEMS 8, 9 AND 10)	1
8	0007820	WASHER, INTERNAL TOOTH, 5/16	1
9	1019551-01	NUT, M6 x 1 1/4	1
10	1011825	BRACKET, HORN	1
11	0000304	BOLT, HEX HEAD, 1/4 - 20 x 1	2
12	0000332	WASHER, FLAT, 1/4	2
13	0008233	NUT, NYLON LOCK, 1/4 - 20	2
14	1016897-01	ASSEMBLY, HEADLIGHT, DRIVER SIDE (INCLUDES ITEMS 16 - 25)	1
15	1016897-02	ASSEMBLY, HEADLIGHT, PASSENGER SIDE (INCLUDES ITEMS 16 - 24 AND 26)	1
16	1017066	HARNES, HEADLIGHT WIRE	1
17	1017059	LOCK, BULB COLLAR	1
18	1017060	BULB, HALOGEN	1
19	1017061	LENS, HEADLIGHT	1
20	1017064	BRACKET, MOUNTING	2
21	0007893	NUT, HEX, #10 - 32	2
22	1013461	SCREW, HI-LO, #10 - 16	2
23	1017065	RETAINER, HEADLIGHT	1
24	1017062	ASSEMBLY, TURN SIGNAL LENS	1
25	1016880	BEZEL, HEADLIGHT, DRIVER SIDE.....	1
26	1016879	BEZEL, HEADLIGHT, PASSENGER SIDE	1

13
E

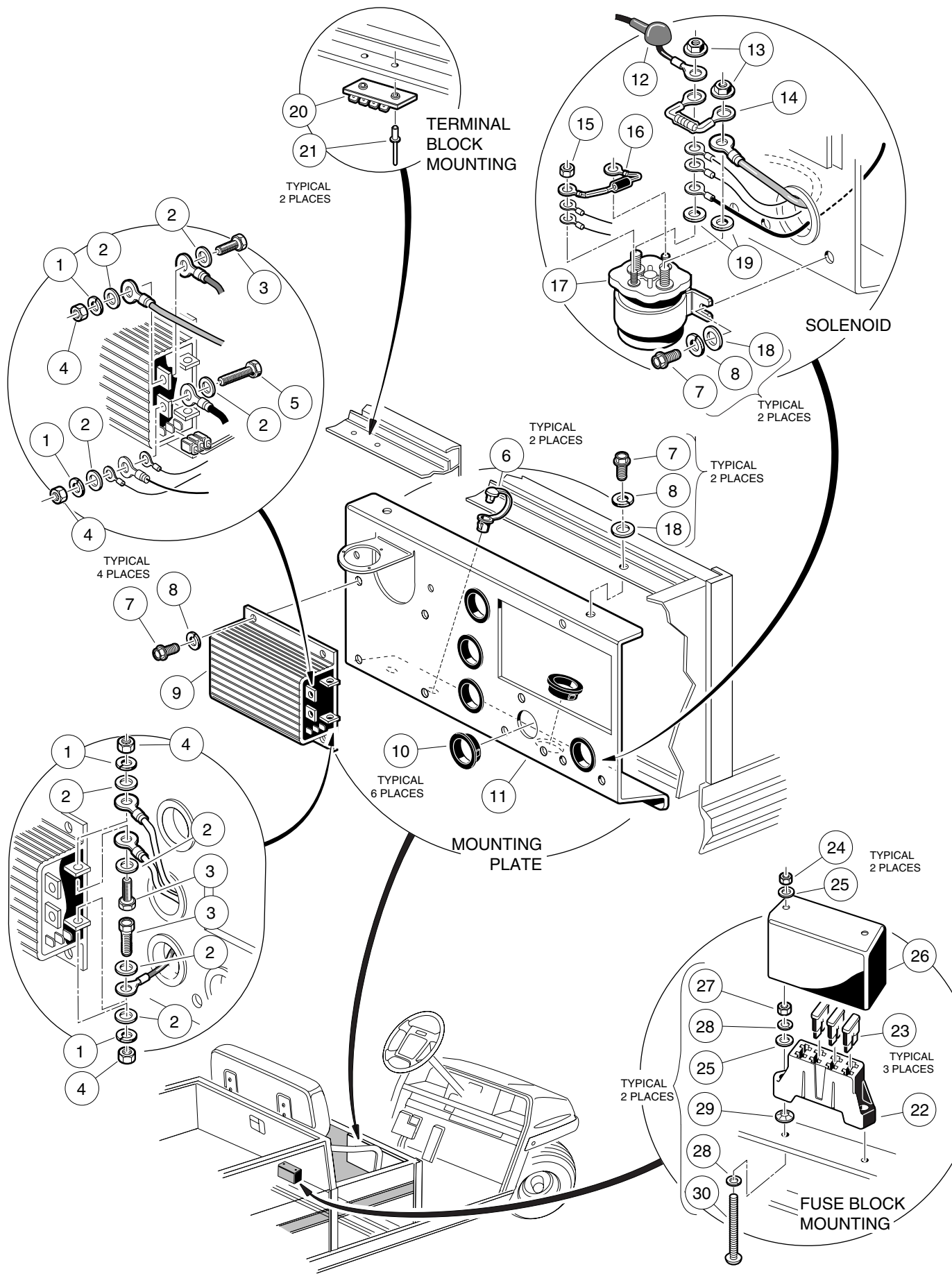
13
E



CONTROLS AND GAUGES— CARRYALL VI POWERDRIVE ELECTRIC VEHICLE

ITEM	PART NO.	DESCRIPTION	QTY
		1 2 3 4	
1	1019355-01	LIGHT, BATTERY WARNING (AMBER)	1
2	1018142-01	INDICATOR, BATTERY	1
3	1018147-01	RETAINER, PUSH ON	2
4	1011610	WASHER, LOCK, #8	1
5	1016092	SCREW, PAN HEAD MACHINE, #8 - 32 x 7/16	1
6	1018306-01	ASSEMBLY, SCREW AND WASHER	1
7	1018262-01	SWITCH, KEY	1
8	1018511-01	WASHER	1
9	1018307-01	NUT, KEY SWITCH	1
10	1018345-02	CAP, KEY SWITCH	1
11	1012505	KEY (PAIR)	1
12	0004034	SWITCH, LIGHT (INCLUDES ITEM 13)	1
13	1013857	KNOB, LIGHT SWITCH	1
14	1011439	SWITCH, LIMIT	2
15	1011557	SCREW, HEX HEAD MACHINE, #6 - 32 x 1	4
16	1019322-01	NUT, NYLON LOCK, #6 - 32	4
17	1019571-01	BRACKET, BRAKE LIGHT SWITCH	1
18	1011280	NUT, LOCK, 5/16 - 18	1
19	1019698-01	SWITCH, DIMMER	1
20	1018713-01	STAND-OFF, DIMMER SWITCH	2
21	1018712-01	SCREW, MACHINE, #10 - 32 x 1	2
22	0008049	WASHER, INTERNAL TOOTH LOCK, #10	2
23	0007893	NUT, HEX, #10 - 32	2
24	1019697-01	BUTTON, HORN	1

13
E



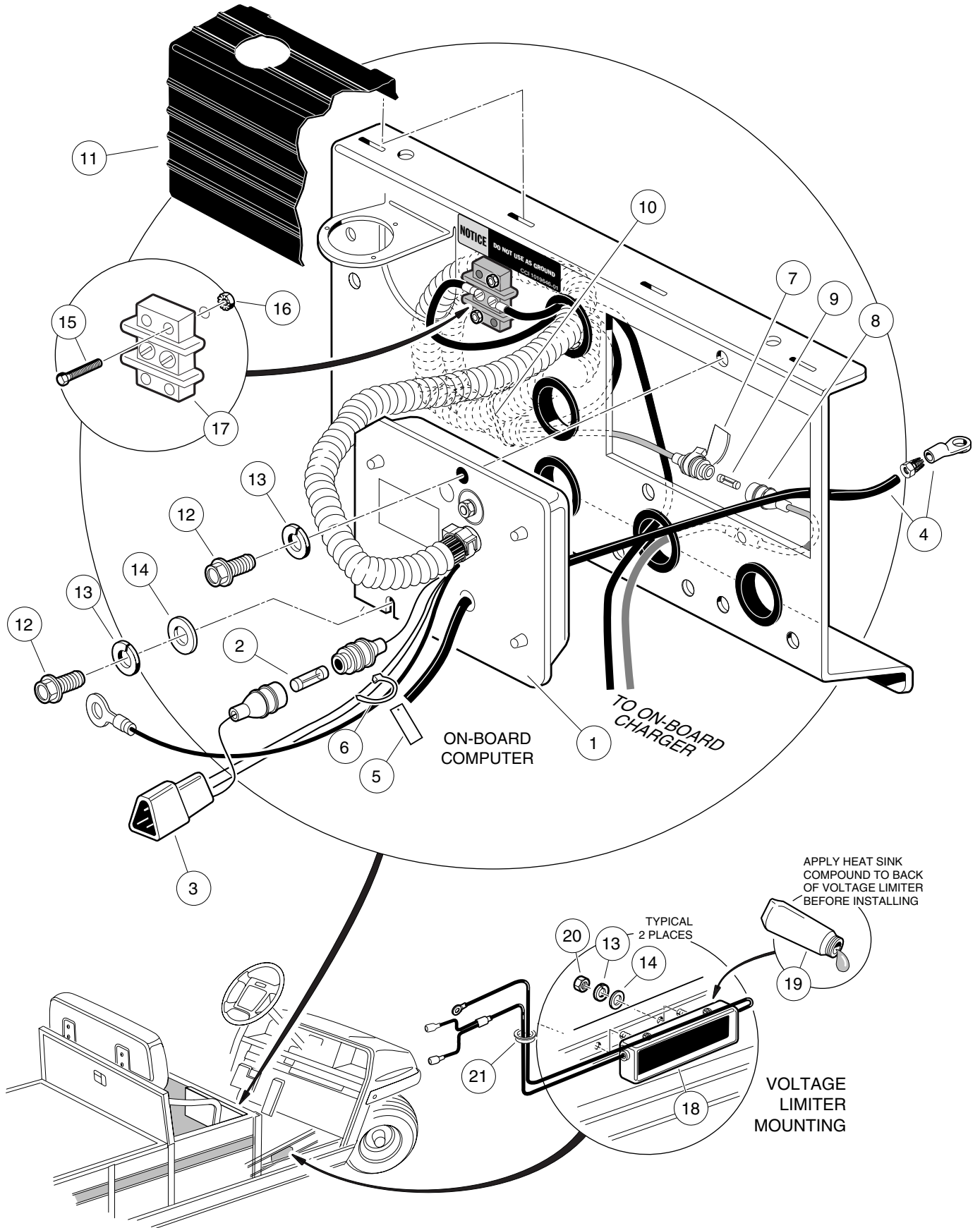
ELECTRICAL COMPONENTS, CENTER BODY— CARRYALL VI POWERDRIVE ELECTRIC VEHICLE

ITEM	PART NO.	DESCRIPTION	QTY
		1 2 3 4	
1	0007174	WASHER, LOCK, 5/16	4
2	0001241	WASHER, FLAT, 5/16	8
3	0007173	BOLT, HEX HEAD, 5/16 - 18 x 3/4	3
4	0001242	NUT, HEX, 5/16 - 18	4
5	0001218	BOLT, HEX HEAD, 5/16 - 18 x 1 1/4	1
6	1019183-01	CLAMP, WIRE	2
7	1012285	SCREW, HEX HEAD THREAD-ROLLING, 1/4 - 20 x 5/8	8
8	0000451	WASHER, LOCK, 1/4	8
9	1018402-03	CONTROLLER, 48 VOLT (300 AMP)	1
10	1019243-01	BUSHING, SNAP	6
11	1019117-01	PLATE, MOUNTING	1
12	1019026-01	BOOT, WIRE	1
13	1017237	NUT, FLANGE, 5/16 - 24	2
14	1014947	ASSEMBLY, RESISTOR	1
15	0007893	NUT, HEX, #10 - 32	2
16	1014948	ASSEMBLY, DIODE	1
17	1018836-01	SOLENOID, 48 VOLT (WITH MOUNTING BRACKET).....	1
18	0000332	WASHER, FLAT, 1/4	4
19	1019344-01	WASHER, FLAT, 5/16	2
20	1016356	BLOCK, TERMINAL	1
21	1013357	RIVET, ALUMINUM POP, 5/32	2
22	1015741	BLOCK, FUSE	1
23	1016423	FUSE, 20 AMP	3
24	1012438	NUT, NYLON LOCK, #10 - 24	2
25	0000183	WASHER, FLAT, #10	4
26	1016363	COVER, FUSE BLOCK	1
27	0001017	NUT, HEX, #10 - 24	2
28	0001016	WASHER, LOCK, #10	4
29	1016631	NUT, PUSH	2
30	1016366	SCREW, ROUND HEAD, #10 - 24 x 3	2

13

E

13
E

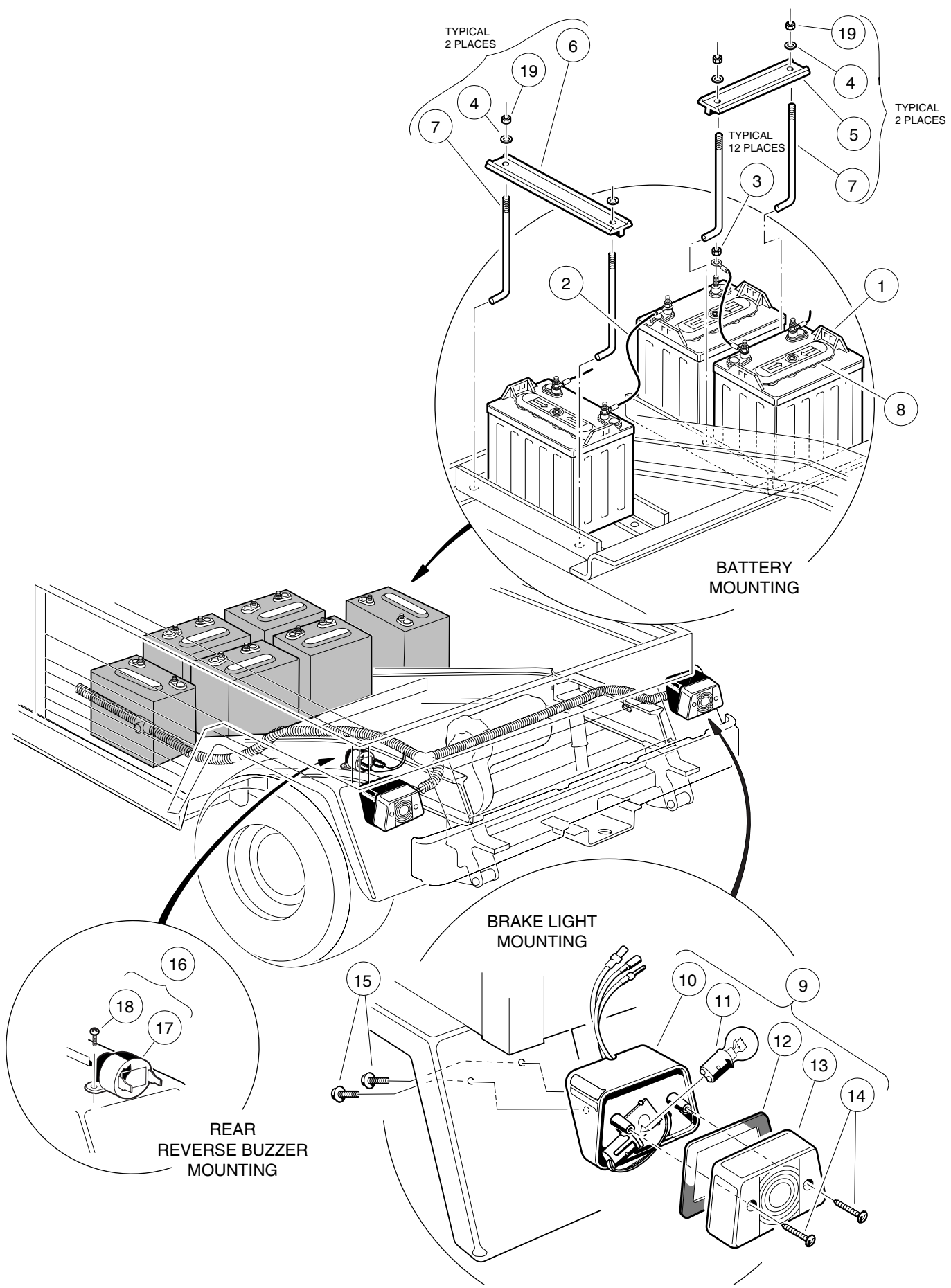


ELECTRICAL COMPONENTS, CENTER BODY, CONTINUED— CARRYALL VI POWERDRIVE ELECTRIC VEHICLE

13

E

ITEM	PART NO.	DESCRIPTION	QTY
		1 2 3 4	
1	1019099-03	COMPUTER, ON-BOARD (INCLUDES ITEMS 2 - 7)	1
2	1018949-01	FUSE ASSEMBLY, 3/8 AMP	1
3	1019423-01	CONNECTOR, 3-PIN	1
4	1018278-02	KIT, WIRE AND TERMINAL, #6 BLACK	1
5	1018844-01	LABEL	1
6	0008168	WRAP, TIE	2
7	1019349-01	LABEL	1
8	1019575-01	ADAPTER, TWO-WAY (INCLUDES ITEM 9).....	1
9	1018949-01	FUSE ASSEMBLY, 3/8 AMP	1
10	0008990	TIE, WIRE	1
11	1019316-01	ASSEMBLY, COMPONENT COVER	1
12	1012285	SCREW, HEX HEAD THREAD-ROLLING, 1/4 - 20 x 5/8	2
13	0000451	WASHER, LOCK, 1/4	4
14	0000332	WASHER, FLAT, 1/4	3
15	1017853	SCREW, HEX HEAD MACHINE, #6 - 32 x 3/4	2
16	1011229	NUT, K LOCK, #6 - 32	2
17	1019668-01	BLOCK, TERMINAL	1
18	1018108-01	LIMITER, VOLTAGE (INCLUDES ITEM 19)	1
19	1018367-02	COMPOUND, HEAT SINK	A/R
20	0001028	NUT, HEX, 1/4 - 20	2
21	1018024-01	GROMMET, 5/8	1



ELECTRICAL COMPONENTS, REAR BODY— CARRYALL VI POWERDRIVE ELECTRIC VEHICLE

ITEM	PART NO.	DESCRIPTION	QTY
		1 2 3 4	
1	1017977-01	BATTERY, 8-VOLT POWERDRIVE	6
1	1017977-02	BATTERY, 8-VOLT POWERDRIVE, DRY	6
2	1017957-01	WIRE ASSEMBLY, #6 BLACK	5
3	1014304	NUT, HEX, STAINLESS STEEL, 5/16 -18	12
4	1011578	WASHER, FLAT, TYPE B WIDE, 5/16	8
5	1018030-01	HOLD-DOWN, BATTERY, SHORT	2
6	1018030-02	HOLD-DOWN, BATTERY, LONG	2
7	1016682-01	ROD, BATTERY HOLD-DOWN	8
8	1017978-01	CAP, BATTERY, 4 PORT GANG	6
9	1016717	ASSEMBLY, TAILLIGHT (INCLUDES ITEMS 10 - 14)	2
10	N/A	HOUSING, TAILLIGHT	1
11	1011582	BULB	1
12	N/A	GASKET	1
13	N/A	LENS	1
14	N/A	SCREW, LENS	2
15	1015752	SCREW, HI-LO, #12 - 16 x 5/8	4
16	1016859	KIT, REVERSE BUZZER (INCLUDES ITEMS 17 AND 18)	1
17	1016851	BUZZER, REVERSE	1
18	1016849	SCREW, PAN HEAD HI-LO, #4 - 24 x 5/16	2
19	1015072	NUT, NYLON LOCK, STAINLESS STEEL, 5/16 - 18	8

13

E

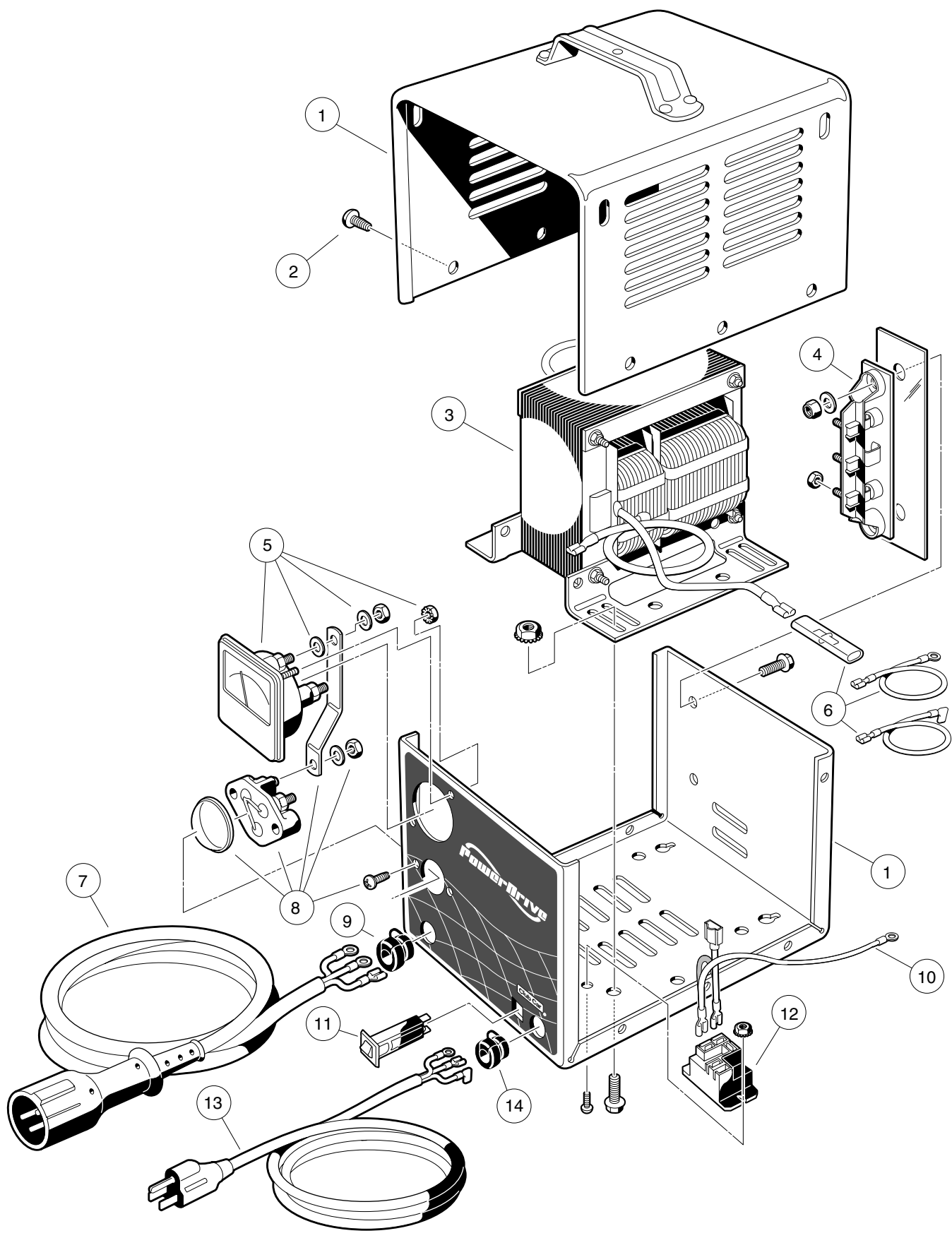
13

E

BATTERY CHARGER

14

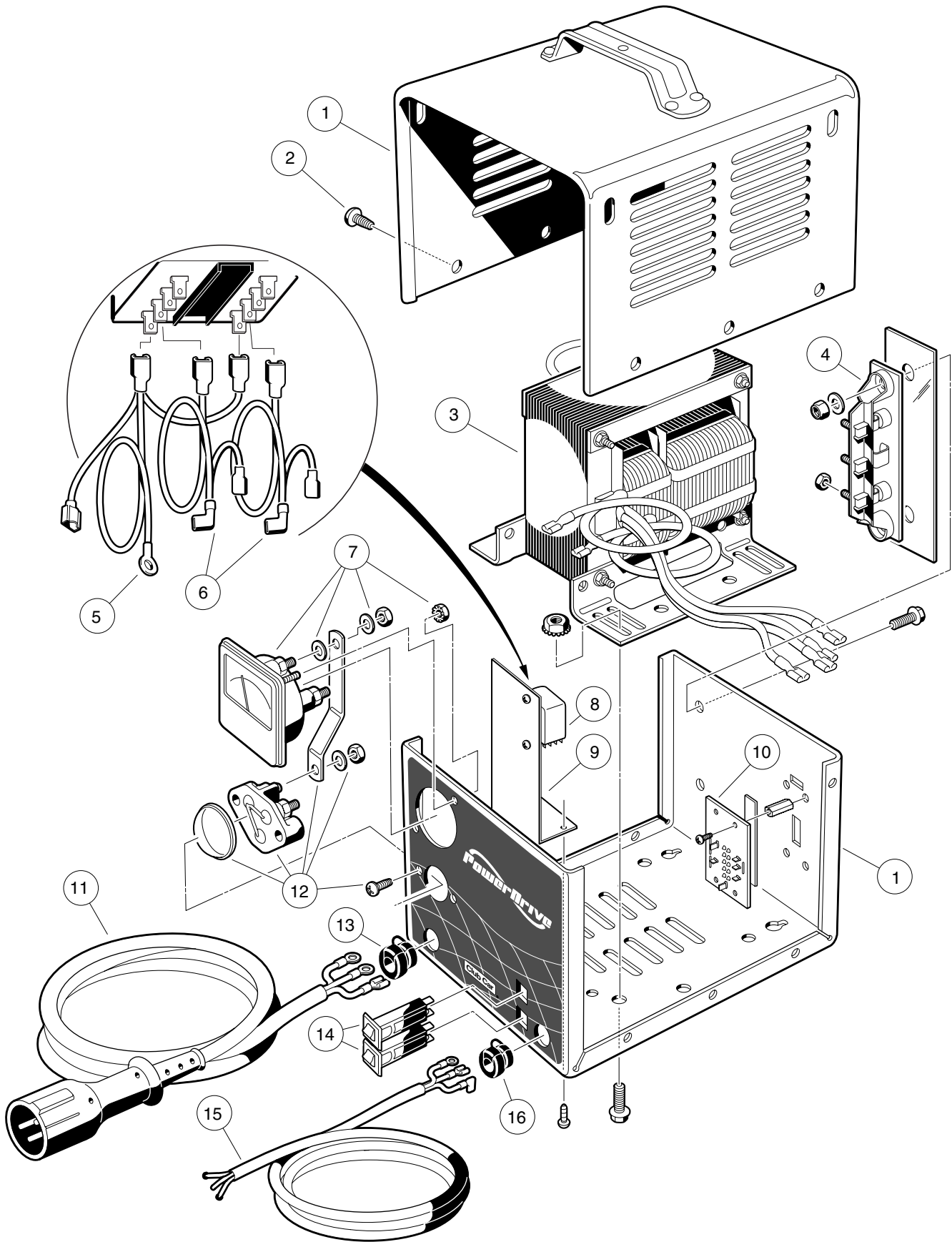
E



POWERDRIVE BATTERY CHARGER, DOMESTIC—CARRYALL I AND II

ITEM	PART NO.	DESCRIPTION	QTY
		1 2 3 4	
	1018022-01	CHARGER, BATTERY, POWERDRIVE, DOMESTIC 120VAC 48VDC 60 HZ (MODEL NUMBER 17930-11) (INCLUDES ITEMS 1 - 14) 103 IN. DC CORD WITH MALE 3-PIN PLUG, 12 AWG 74 IN. AC CORD WITH MALE GROUNDED PLUG	1
	1018022-02	CHARGER, BATTERY, POWERDRIVE 120VAC 48VDC 60 HZ (MODEL NUMBER 17930-18) (INCLUDES ITEMS 1 - 14) 144 IN. DC CORD WITH MALE 3-PIN PLUG, 12 AWG 108 IN. AC CORD WITH MALE GROUNDED PLUG	1
	1018022-03	CHARGER, BATTERY, POWERDRIVE 120VAC 48VDC 60 HZ (MODEL NUMBER 17930-19) (INCLUDES ITEMS 1 - 14) 240 IN. DC CORD WITH MALE 3-PIN PLUG, 12 AWG 108 IN. AC CORD WITH MALE GROUNDED PLUG	1
1	1018283-01	ASSEMBLY, CASE (INCLUDES ITEM 2)	1
2	0007577	SCREW, PAN HEAD, SELF-TAPPING, #10 - 16 x 1/2	10
3	1018197-01	ASSEMBLY, TRANSFORMER	1
4	1015914	ASSEMBLY, HEATSINK, WITH DIODES (INCLUDES MOUNTING HARDWARE)	1
5	1018285-01	AMMETER (INCLUDES MOUNTING HARDWARE)	1
6	1018311-01	KIT, WIRE ASSEMBLY	1
7	1018289-01	CORDSET, DC, 113 INCHES LONG WITH MALE 3-PIN PLUG, 12 AWG	1
7	1018289-02	CORDSET, DC, 154 INCHES LONG WITH MALE 3-PIN PLUG, 12 AWG	1
7	1018289-03	CORDSET, DC, 250 INCHES LONG WITH MALE 3-PIN PLUG, 12 AWG	1
8	1012101	ASSEMBLY, FUSE (INCLUDES MOUNTING HARDWARE)	1
9	1012098	BUSHING, STRAIN RELIEF, DC CORD, 12 AWG	1
10	1019144-01	ASSEMBLY, VOLTAGE SUPPRESSOR	1
11	1018287-01	BREAKER, CIRCUIT, 15 AMP	1
12	1018286-01	RELAY, POWER, 48 VDC	1
13	1018288-01	CORDSET, AC, 80 INCHES LONG	1
13	1018288-02	CORDSET, AC, 116 INCHES LONG	1
14	1015917	BUSHING, STRAIN RELIEF, AC CORD	1

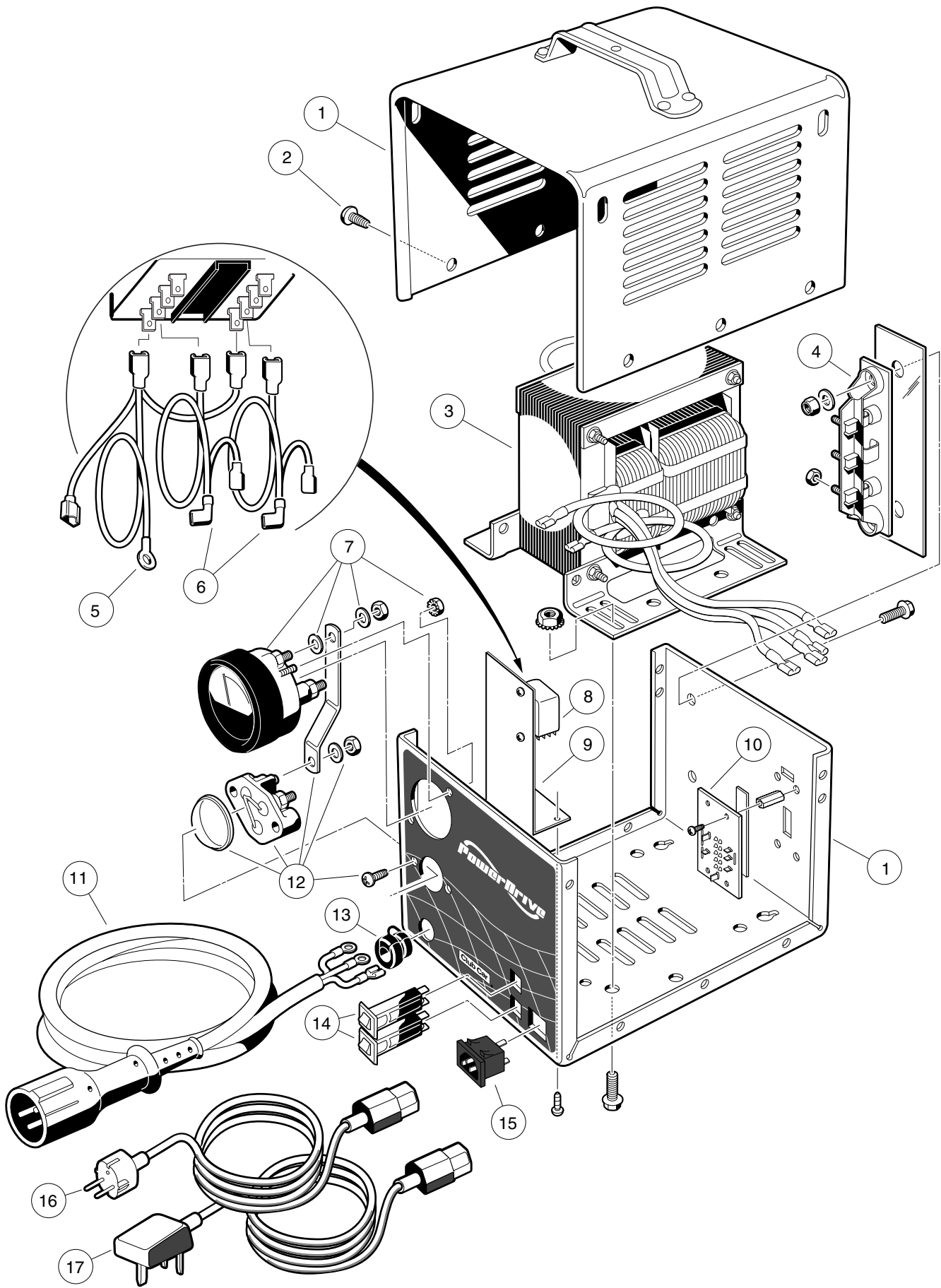
14
E



POWERDRIVE BATTERY CHARGER, EXPORT—CARRYALL I AND II

14
E

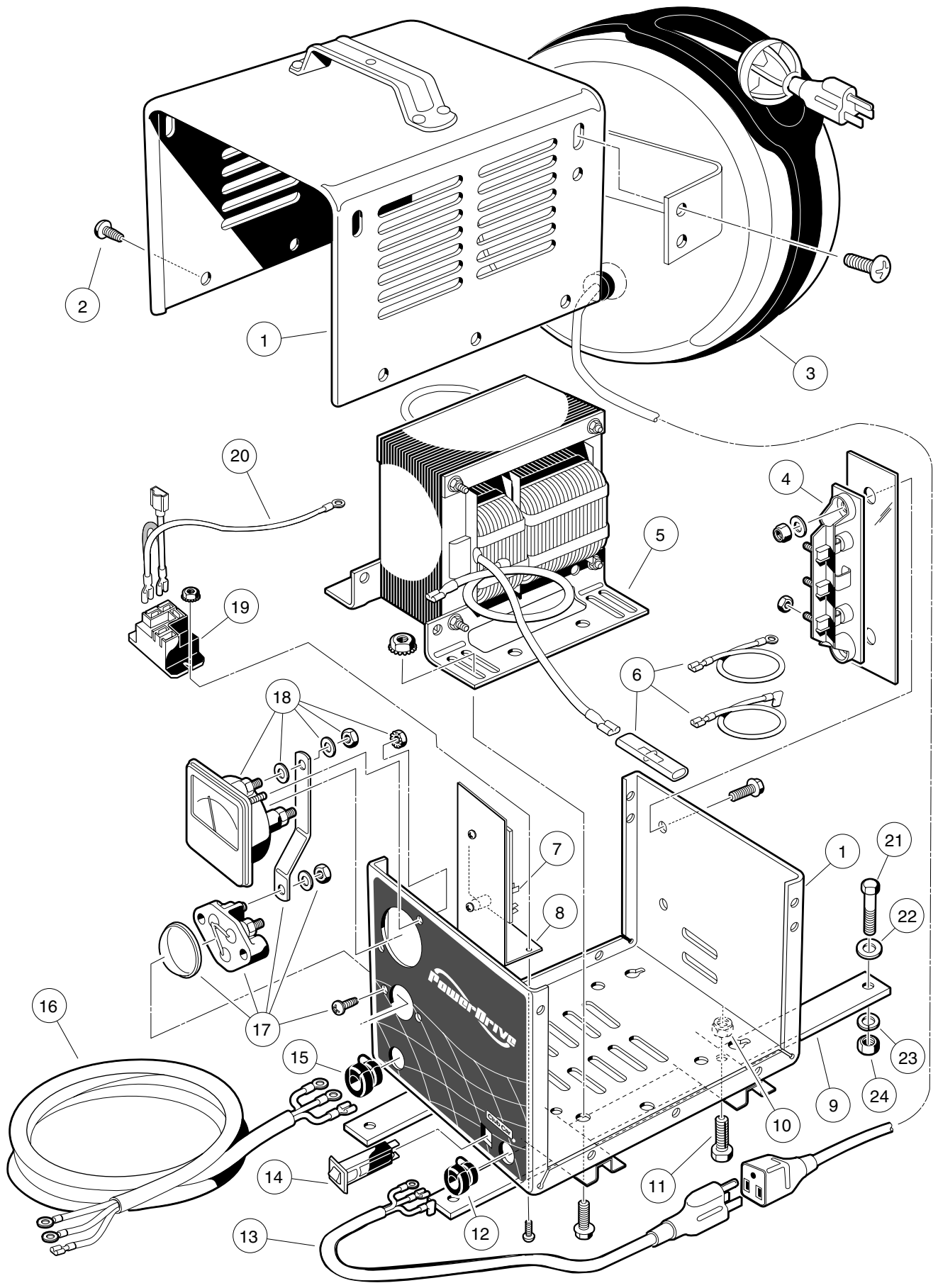
ITEM	PART NO.	DESCRIPTION	QTY
		1 2 3 4	
	1018315-03	CHARGER, BATTERY, POWERDRIVE, EXPORT WITH 4-POSITION SWITCH 100 - 200 - 220 - 240 VAC, 48 VDC 50/60 HZ (MODEL NUMBER 18780-11) (INCLUDES ITEMS 1 - 16) 103 IN. DC CORD WITH MALE 3-PIN PLUG, 12 AWG 74 IN. AC CORD WITH NO PLUG	1
	1018315-04	CHARGER, BATTERY, POWERDRIVE EXPORT WITH 4-POSITION SWITCH 100 - 200 - 220 - 240 VAC, 48 VDC 50/60 HZ (MODEL NUMBER 18780-18) (INCLUDES ITEMS 1 - 16) 144 IN. DC CORD WITH MALE 3-PIN PLUG, 12 AWG 108 IN. AC CORD WITH NO PLUG	1
1	N/A	ASSEMBLY, CASE (INCLUDES ITEM 2)	1
2	0007577	SCREW, PAN HEAD, SELF-TAPPING, #10 - 16 x 1/2	10
3	1018382-01	ASSEMBLY, TRANSFORMER	1
4	1015914	ASSEMBLY, HEATSINK, WITH DIODES (INCLUDES MOUNTING HARDWARE)	1
5	1019144-01	ASSEMBLY, VOLTAGE SUPPRESSOR	1
6	1018385-01	KIT, WIRE ASSEMBLY	1
7	1018285-01	AMMETER (INCLUDES HARDWARE)	1
8	1018383-01	RELAY, POWER, 48 VDC (INCLUDES MOUNTING HARDWARE)	1
9	1018387-01	BRACKET, POWER RELAY MOUNTING	1
10	1018386-01	SWITCH, 4-POSITION, SLIDE	1
11	1018289-01	CORDSET, DC, 113 INCHES LONG WITH MALE 3-PIN PLUG, 12 AWG	1
11	1018289-02	CORDSET, DC, 154 INCHES LONG WITH MALE 3-PIN PLUG, 12 AWG	1
11	1018289-03	CORDSET, DC, 250 INCHES LONG WITH MALE 3-PIN PLUG, 12 AWG	1
12	1012101	ASSEMBLY, FUSE (INCLUDES HARDWARE)	1
13	1012098	BUSHING, STRAIN RELIEF, DC CORD, 12 AWG	1
14	1018384-01	BREAKER, CIRCUIT, 15 AMP	2
15	1018317-01	CORDSET, AC, 80 INCHES LONG, WITH LEADS (NO PLUG)	1
15	1018317-02	CORDSET, AC, 116 INCHES LONG, WITH LEADS (NO PLUG)	1
16	1015917	BUSHING, STRAIN RELIEF, AC CORD	1



POWERDRIVE BATTERY CHARGER, EUROPEAN—CARRYALL I AND II

14
E

ITEM	PART NO.	DESCRIPTION	QTY
		1 2 3 4	
	1019562-01	CHARGER, BATTERY, POWERDRIVE, EUROPEAN WITH 4-POSITION SWITCH 100 - 200 - 220 - 240 VAC, 48 VDC 50/60 HZ (MODEL NUMBER 20300) (INCLUDES ITEMS 1 - 15) 103" DC CORD WITH MALE 3-PIN PLUG, 12 AWG	1
	1019562-02	CHARGER, BATTERY, POWERDRIVE EUROPEAN WITH 4-POSITION SWITCH 100 - 200 - 220 - 240 VAC, 48 VDC 50/60 HZ (MODEL NUMBER 20310) (INCLUDES ITEMS 1 - 15) 144" DC CORD WITH MALE 3-PIN PLUG, 12 AWG	1
1	1018381-02	ASSEMBLY, CASE (INCLUDES ITEM 2)	1
2	0007577	SCREW, PAN HEAD, SELF-TAPPING, #10 - 16 x 1/2	10
3	1018382-01	ASSEMBLY, TRANSFORMER	1
4	1015914	ASSEMBLY, HEATSINK, WITH DIODES (INCLUDES MOUNTING HARDWARE)	1
5	1019144-01	ASSEMBLY, VOLTAGE SUPPRESSOR	1
6	1018385-01	KIT, WIRE ASSEMBLY	1
7	1019766-01	AMMETER (INCLUDES HARDWARE)	1
8	1019875-01	RELAY, POWER, 48 VDC (INCLUDES MOUNTING HARDWARE)	1
9	1018387-01	BRACKET, POWER RELAY MOUNTING	1
10	1018386-01	SWITCH, 4-POSITION, SLIDE	1
11	1018289-01	CORDSET, DC, 103" LONG WITH MALE 3-PIN PLUG, 12 AWG	1
11	1018289-02	CORDSET, DC, 144" LONG WITH MALE 3-PIN PLUG, 12 AWG	1
11	1018289-03	CORDSET, DC, 250" LONG WITH MALE 3-PIN PLUG, 12 AWG	1
12	1012101	ASSEMBLY, FUSE (INCLUDES HARDWARE)	1
13	1012098	BUSHING, STRAIN RELIEF, DC CORD, 12 AWG	1
14	1018384-01	BREAKER, CIRCUIT, 15 AMP	2
15	1019735-01	RECEPTACLE, AC CORD	1
16	1019583-01	CORDSET, AC, CONTINENTAL EUROPE, 96" LONG (WITH MALE 2-PIN PLUG)	1
17	1019582-01	CORDSET, AC, U.K., 96" LONG (WITH MALE 3-PIN PLUG)	1

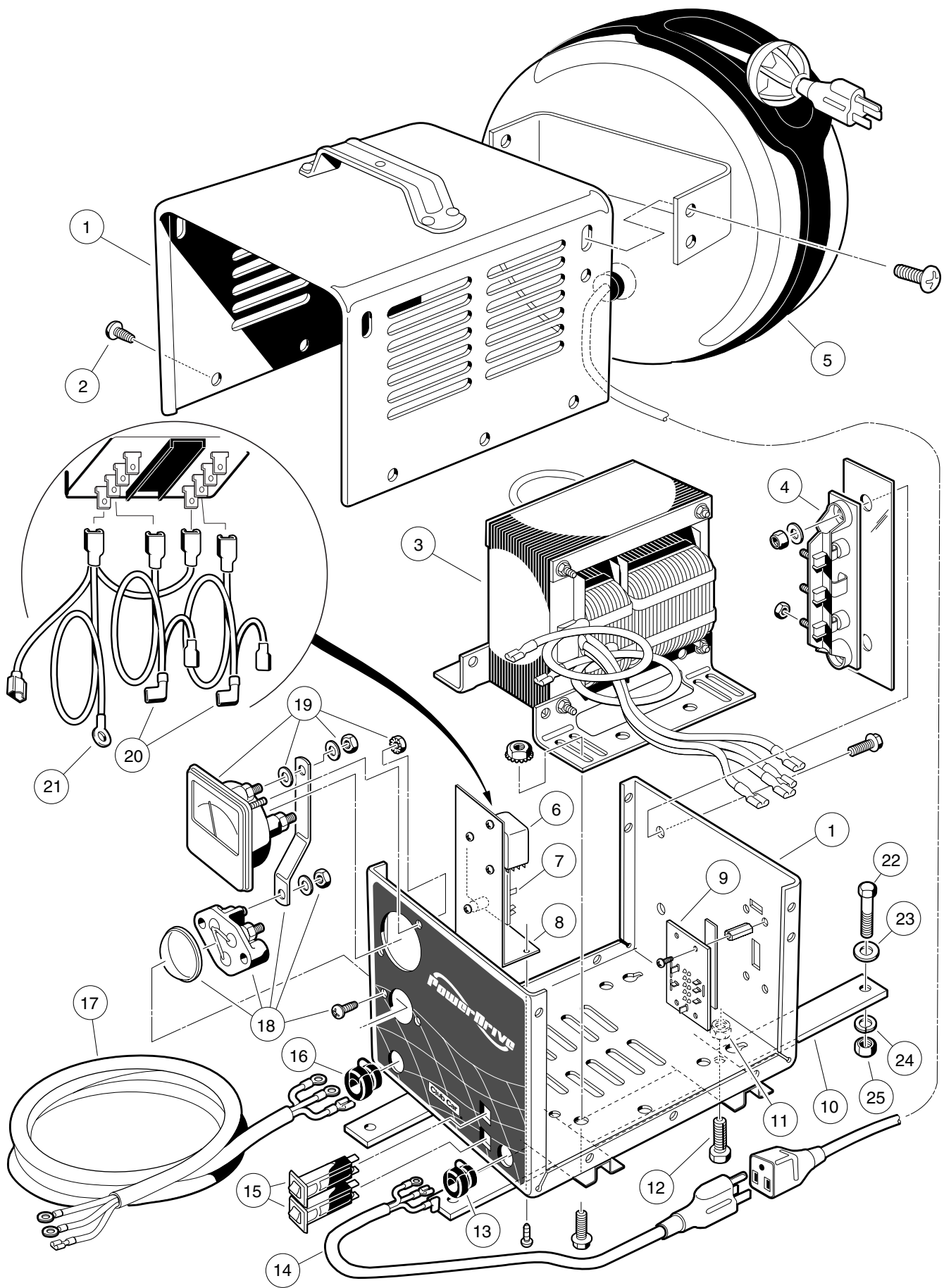


ON-BOARD POWERDRIVE BATTERY CHARGER, DOMESTIC—CARRYALL VI

ITEM	PART NO.	DESCRIPTION	QTY
		1 2 3 4	
	1018143-01	ASSEMBLY, POWERDRIVE BATTERY CHARGER WITH REEL, ON-BOARD 120VAC 48VDC 60 HZ (INCLUDES ITEMS 1 - 20)	1
1	1018161-01	ASSEMBLY, CASE (INCLUDES ITEM 2)	1
2	0007577	SCREW, PAN HEAD, SELF-TAPPING, #10 - 16 x 1/2	12
3	1017187	ASSEMBLY, RETRACTABLE CORD REEL	1
4	1015914	ASSEMBLY, HEATSINK, WITH DIODES (INCLUDES HARDWARE)	1
5	1018197-01	ASSEMBLY, TRANSFORMER	1
6	1018417-01	KIT, WIRE ASSEMBLY	1
7	1018419-01	BOARD, CONTROL	1
8	1018387-01	BRACKET, RELAY AND RESET BOARD MOUNTING	1
9	1011707	BRACKET, MOUNTING	2
10	0008233	NUT, LOCK, 1/4 - 20	4
11	0007847	BOLT, HEX HEAD, 1/4 - 20 x 3/4	4
12	1015917	BUSHING, STRAIN RELIEF, AC CORD	1
13	1018290-01	CORDSET, AC, 24 INCHES WITH GROUNDED PLUG	1
14	1018287-01	BREAKER, CIRCUIT, 15 AMP	1
15	1012098	BUSHING, STRAIN RELIEF, DC CORD, 12 AWG	1
16	1018291-01	CORDSET, DC, 90 INCHES LONG WITH LEADS, 12 AWG	1
17	1012101	ASSEMBLY, FUSE (INCLUDES HARDWARE)	1
18	1018285-01	AMMETER (INCLUDES HARDWARE)	1
19	1018286-01	RELAY, POWER, 48 VDC	1
20	1019144-01	ASSEMBLY, VOLTAGE SUPPRESSOR	1
21	0007479	BOLT, HEX HEAD, 1/4 - 20 x 1 1/4	4
22	1014306	WASHER, FLAT, 1/4	4
23	0000451	WASHER, LOCK, 1/4	4
24	0001028	NUT, HEX, 1/4 - 20	4

14

E



ON-BOARD POWERDRIVE BATTERY CHARGER, EXPORT—CARRYALL VI

ITEM	PART NO.	DESCRIPTION	QTY
		1 2 3 4	
	1018143-02	ASSEMBLY, POWERDRIVE BATTERY CHARGER AND REEL, ON-BOARD WITH 4-POSITION SWITCH, 100 - 200 - 220 - 240 VAC, 48 VDC 50/60 HZ (INCLUDES ITEMS 1 - 21)	1
1	1018416-01	ASSEMBLY, CASE (INCLUDES ITEM 2)	1
2	0007577	SCREW, PAN HEAD, SELF-TAPPING, #10 - 16 x 1/2	12
3	1018382-01	ASSEMBLY, TRANSFORMER	1
4	1015914	ASSEMBLY, HEATSINK, WITH DIODES (INCLUDES MOUNTING HARDWARE)	1
5	1017187	ASSEMBLY, RETRACTABLE CORD REEL	1
6	1018383-01	RELAY, POWER (INCLUDES MOUNTING HARDWARE)	1
7	1018419-01	BOARD, CONTROL	1
8	1018387-01	BRACKET, MOUNTING, RELAY AND RESET BOARD	1
9	1018386-01	SWITCH, 4-POSITION, SLIDE	1
10	1011707	BRACKET, MOUNTING	2
11	0008233	NUT, LOCK, 1/4 - 20	4
12	0007847	BOLT, HEX HEAD, 1/4 - 20 x 3/4	4
13	1015917	BUSHING, STRAIN RELIEF, AC CORD	1
14	1018290-01	CORDSET, AC, 3 x 1.5MM x 24 INCHES LONG, WITH GROUNDED PLUG	1
15	1018384-01	BREAKER, CIRCUIT	2
16	1012098	BUSHING, STRAIN RELIEF, DC CORD, 12 AWG	1
17	1018291-01	CORDSET, DC, 90.5 INCHES LONG WITH LEADS, 12 AWG	1
18	1012101	ASSEMBLY, FUSE (INCLUDES HARDWARE).....	1
19	1018285-01	AMMETER (INCLUDES HARDWARE)	1
20	1018418-01	KIT, WIRE ASSEMBLY	1
21	1019144-01	ASSEMBLY, VOLTAGE SUPPRESSOR	1
22	0007479	BOLT, HEX HEAD, 1/4 - 20 x 1 1/4	4
23	1014306	WASHER, FLAT, 1/4	4
24	0000451	WASHER, LOCK, 1/4	4
25	0001028	NUT, HEX, 1/4 - 20	4

14
E

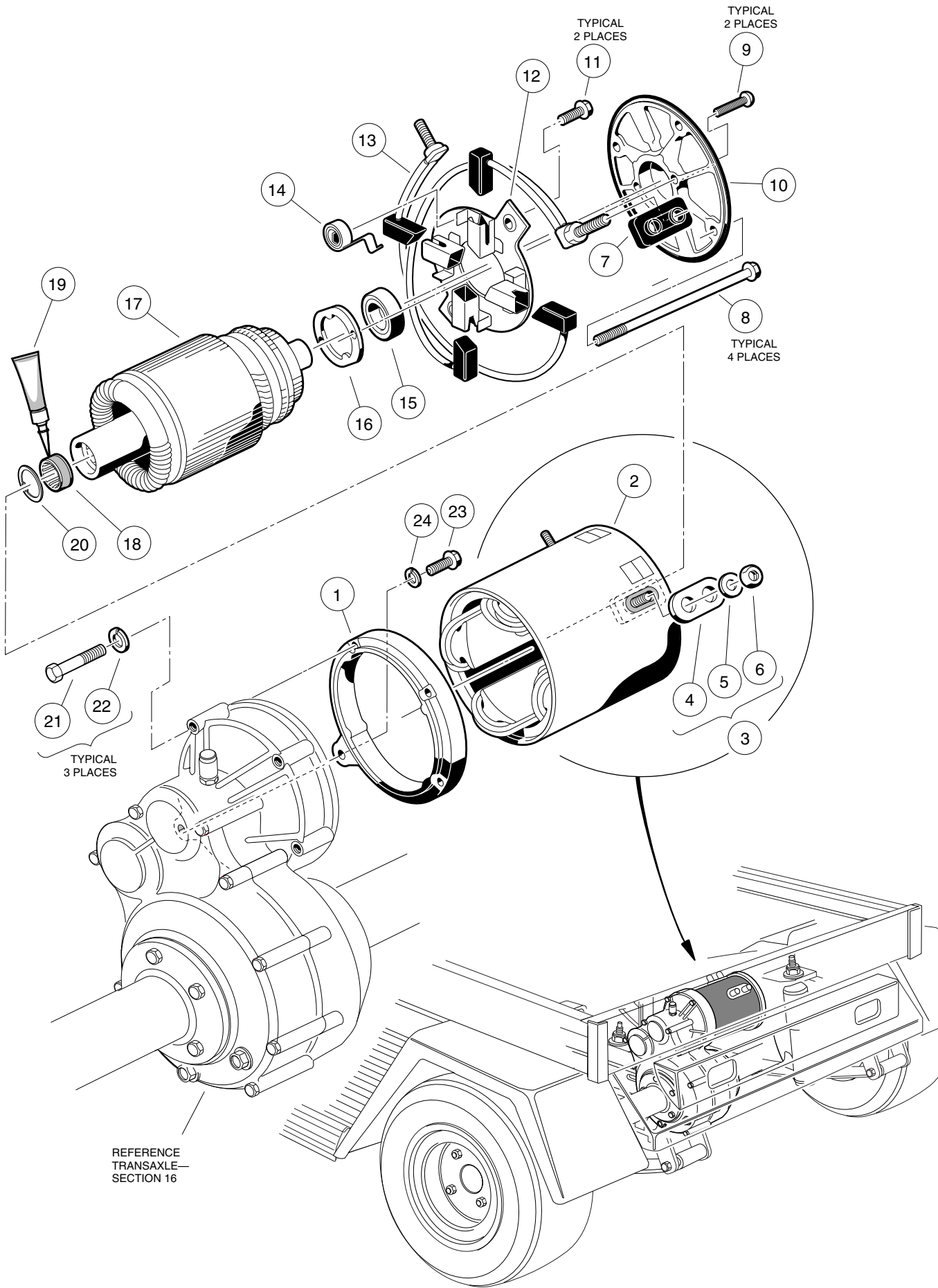
14

E

ELECTRIC MOTOR

15

E



MOTOR—POWERDRIVE ELECTRIC VEHICLE

ITEM	PART NO.	DESCRIPTION	QTY
		1 2 3 4	
	1017857-01	ASSEMBLY, 48 VOLT MOTOR, 3.10 HP (INCLUDES ITEMS 1 - 20)	1
1	1017944	SHIELD, END	1
2	1017958	ASSEMBLY, STATOR SHELL AND WINDING	1
3	1017947	PACKAGE, HARDWARE (INCLUDES ITEMS 4 - 7)	1
4	N/A	BUSHING, INSULATOR	2
5	N/A	WASHER, FLAT, 5/16	4
6	N/A	NUT, HEX, 5/16 - 18	4
7	N/A	BUSHING, INSULATOR	2
8	1017961	SCREW, CLAMP, UNF, #10 - 32 x 8 5/8	4
9	1017953	SCREW, BEARING RETAINER, #8 - 32 x 7/8	2
10	1017951	SHIELD, END	1
11	1017949	SCREW, BRUSH HOLDER, #6 - 32 x 1/2	2
12	1017948	RIGGING, BRUSH	1
13	1017946	PACKAGE, BRUSH (2 PIECES)	1
14	1011411	PACKAGE, BRUSH SPRING (4 PIECES)	1
15	1011290	BEARING, BALL	1
16	1017950	RETAINER, BEARING	1
17	N/A	ARMATURE	1
18	1017891-01	RING, GUIDE	1
19	1018132-02	ADHESIVE, GUIDE RING, 3 GRAM TUBE	A/R
20	1018228-01	RING, INTERNAL RETAINING	1
21	1014201	BOLT, HEX HEAD, 1/4 - 20 x 2 1/4	3
22	0000451	WASHER, LOCK, 1/4	3
23	1010934	BOLT, HEX HEAD, 5/16 - 18 x 1	1
24	0007174	WASHER, LOCK, 5/16	1

15
E

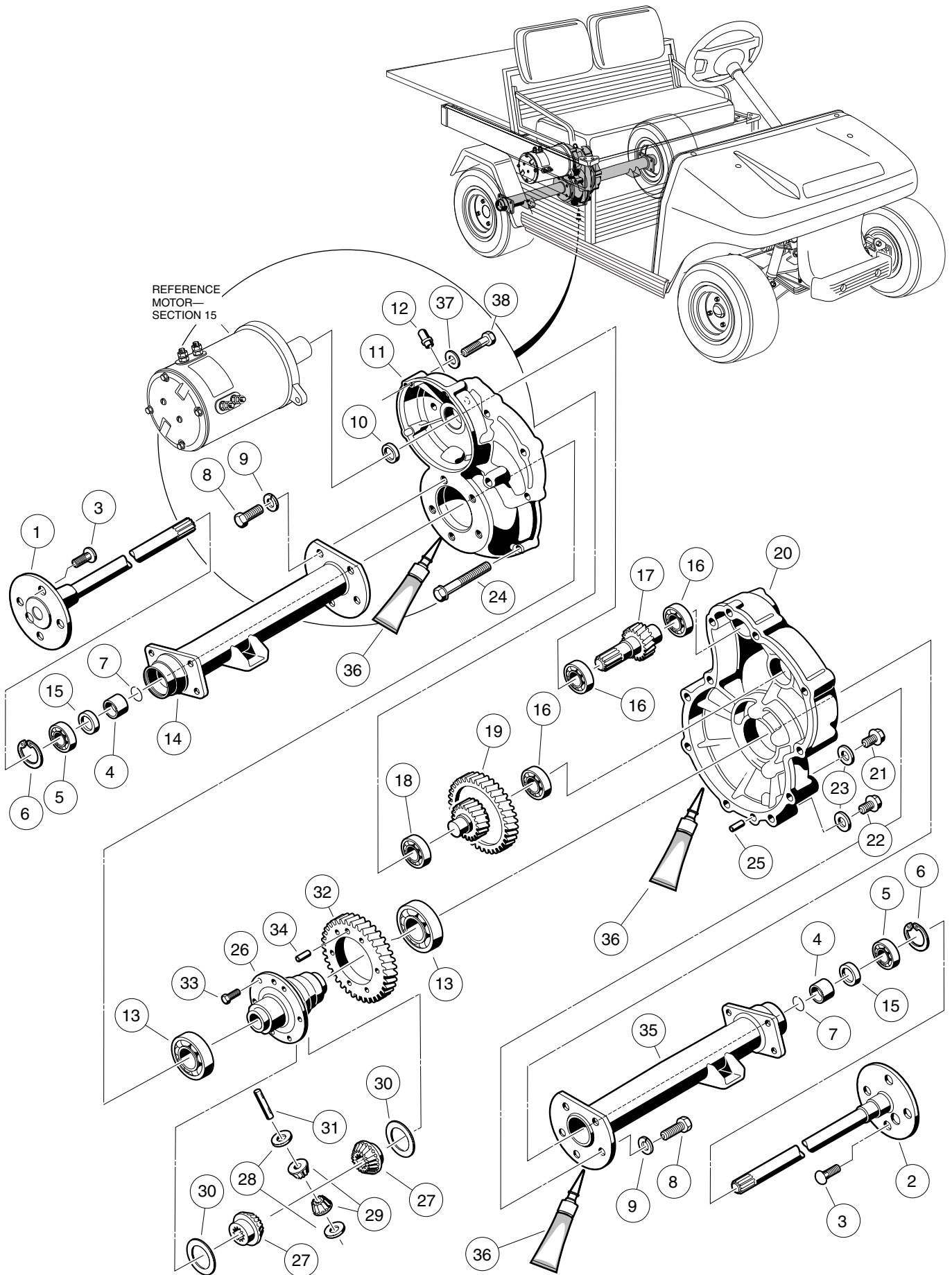
15

E

TRANSAXLE— ELECTRIC VEHICLE

16

E

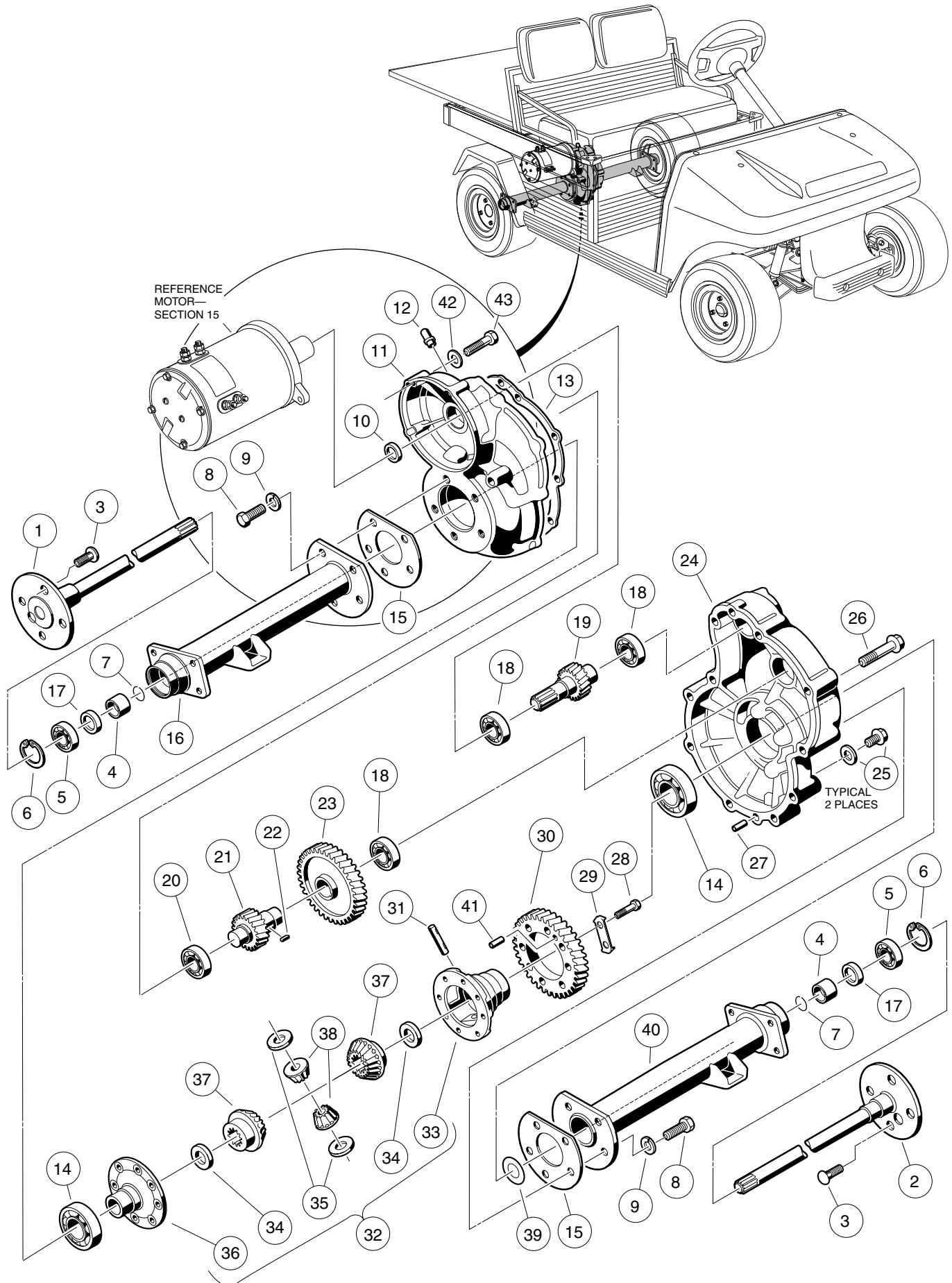


TRANSAXLE, TYPE G— POWERDRIVE ELECTRIC VEHICLE

16
E

ITEM	PART NO.	DESCRIPTION	QTY
		1 2 3 4	
	1018960-01	TRANSAXLE, TYPE G (INCLUDES ITEMS 1 - 36)	1
1	1018958-01	AXLE ASSEMBLY, PASSENGER SIDE (INCLUDES ITEMS 3 - 7)	1
2	1018959-01	AXLE ASSEMBLY, DRIVER SIDE (INCLUDES ITEMS 3 - 7)	1
3	1019222-01	STUD, LUG	8
4	1019723-01	SLEEVE	1
5	1011291	BEARING, OUTER AXLE TUBE	2
6	1018971-01	RING, RETAINING	2
7	1019754-01	RING, RETAINING	2
8	1019760-01	BOLT, M10 x 1.5 x 35MM	10
9	1018979-01	WASHER, LOCK, 20MM	10
10	1019235-01	SEAL, OIL, INPUT SHAFT	1
11	1018955-01	GEAR CASE, PASSENGER SIDE	1
12	1018972-01	BREATHER	1
13	0007330	BEARING, DIFFERENTIAL	2
14	1018956-01	ASSEMBLY, AXLE TUBE, PASSENGER SIDE	1
15	1013794	SEAL, OIL, AXLE SHAFT	2
16	0007335	BEARING, INPUT GEAR.....	3
17	1019237-01	SHAFT, INPUT	1
18	0007336	BEARING, INTERMEDIATE GEAR	1
19	1019069-01	ASSEMBLY, INTERMEDIATE GEAR	1
20	1018954-01	GEAR CASE, DRIVER SIDE	1
21	1019722-01	PLUG, FILL	1
22	1019721-01	PLUG, MAGNETIC	1
23	1019232-01	GASKET, PLUG	2
24	1018970-01	BOLT, M8 x 1.25 x 60MM	11
25	1018976-01	PIN, DOWEL	2
26	1019236-01	HOUSING, DIFFERENTIAL	1
27	1019239-01	GEAR, DIFFERENTIAL	2
28	1019036-01	PLATE, THRUST (IDLER GEAR)	2
29	1019230-01	GEAR, DIFFERENTIAL IDLER	2
30	1019037-01	PLATE, THRUST	2
31	1019221-01	PIN, DIFFERENTIAL	1
32	1019062-01	GEAR, OUTPUT	1
33	1018974-01	BOLT, M10 x 1.5 x 25MM	4
34	1019724-01	PIN, DOWEL	1
35	1018957-01	ASSEMBLY, AXLE TUBE, DRIVER SIDE	1
36	1019287-01	GASKET, LIQUID, 8.8 OZ. (250 GRAM)	A/R
37	0000451	WASHER, LOCK, 1/4	3
38	1014201	BOLT, HEX HEAD, 1/4 - 20 x 2 1/4	3

NOTE: TRANSAXLE TYPE IS IDENTIFIED BY ORIENTATION OF GEAR CASE BOLTS. THE TYPE G TRANSAXLE HAS GEAR CASE BOLT HEADS FACING TOWARD THE PASSENGER SIDE OF THE VEHICLE.



TRANSAXLE, TYPE K— POWERDRIVE ELECTRIC VEHICLE

16
E

ITEM	PART NO.	DESCRIPTION	QTY
		1 2 3 4	
	1017683-02	TRANSAXLE, TYPE K (INCLUDES ITEMS 1 - 41)	1
1	1013785	AXLE ASSEMBLY, PASSENGER SIDE (INCLUDES ITEMS 3 - 7)	1
2	1013786	AXLE ASSEMBLY, DRIVER SIDE (INCLUDES ITEMS 3 - 7)	1
3	1013787	STUD, LUG	8
4	1014207	BUSHING, 25 MM I. D.	1
5	1011291	BEARING, OUTER AXLE TUBE	2
6	1013792	CIRCLIP, TYPE C	2
7	1016672	RING, RETAINING	2
8	1013790	BOLT, M10 x 1.5 x 30MM	10
9	1013791	WASHER, LOCK, 13/32	10
10	1013775	SEAL, INPUT SHAFT OIL	1
11	1013756	GEAR CASE, PASSENGER SIDE	1
12	1012711	BREATHER	1
13	1013758	GASKET, CASE	1
14	0007330	BEARING, INNER AXLE TUBE	2
15	1013789	GASKET, AXLE TUBE	2
16	1017704	ASSEMBLY, AXLE TUBE, PASSENGER SIDE	1
17	1013794	SEAL, AXLE SHAFT OIL	2
18	0007335	BEARING, INPUT GEAR	3
19	1013764	SHAFT, INPUT	1
20	0007336	BEARING, INTERMEDIATE GEAR	1
21	1013766	GEAR, INTERMEDIATE, SMALL	1
22	1013780	KEY, SUNK	1
23	1013765	GEAR, INTERMEDIATE, LARGE	1
24	1013757	GEAR CASE, DRIVER SIDE	1
25	1013759	PLUG, FILL, WITH GASKET	2
26	1013763	BOLT, M6 x 1 x 50MM	10
27	1012710	PIN, DOWEL	2
28	1013779	BOLT, M8 x 1.25 x 37MM	8
29	1013782	PLATE, LOCK	4
30	1013767	GEAR, OUTPUT	1
31	1013772	PIN, DIFFERENTIAL	1
32	1019105-01	KIT, DIFFERENTIAL GEAR CASE (INCLUDES ITEMS 33 - 36)	1
33	1013768	GEAR CASE, DIFFERENTIAL (DRIVER SIDE)	1
34	1013773	PLATE, THRUST (DIFFERENTIAL GEAR)	2
35	1013774	PLATE, THRUST (IDLER GEAR)	2
36	1013769	GEAR CASE, DIFFERENTIAL (PASSENGER SIDE).....	1
37	1013771	GEAR, DIFFERENTIAL	2
38	1013770	GEAR, DIFFERENTIAL IDLER	2
39	1013781	SHIM	1
40	1017703	ASSEMBLY, AXLE TUBE, DRIVER SIDE	1
41	1014193	PIN, DOWEL	1
42	1014201	BOLT, HEX HEAD, 1/4 - 20 x 2 1/4	3
43	0000451	WASHER, LOCK, 1/4	3
<p>NOTE: TRANSAXLE TYPE IS IDENTIFIED BY ORIENTATION OF GEAR CASE BOLTS. THE TYPE K TRANSAXLE HAS GEAR CASE BOLT HEADS FACING TOWARD THE DRIVER SIDE OF THE VEHICLE.</p>			

16

E

CLUB CAR

INGERSOLL-RAND

Transportation and Utility Vehicles

Club Car Inc.
P.O. Box 204658
Augusta, GA 30917-4658