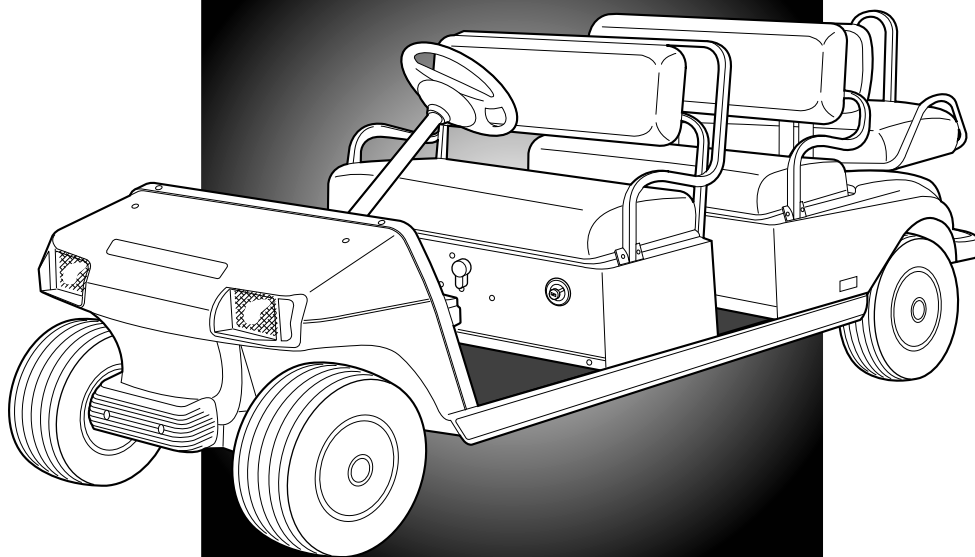


Club Car

®

2001-2003 ILLUSTRATED PARTS LIST



**VILLAGER 4, VILLAGER 6,
VILLAGER 8, TRANSPORTER 4,
TRANSPORTER 6
GASOLINE/ELECTRIC
TRANSPORTATION VEHICLES**

MANUAL NUMBER 102189903
EDITION CODE 0903B1004A

USING THE ILLUSTRATED PARTS LIST

WARNING

- **This manual is to be used only for identification and ordering of service parts. Be sure to read and use the maintenance and service manual before attempting any vehicle repairs.**

This manual covers all Villager 4, Villager 6, Villager 8, TransPorter 4, and TransPorter 6 vehicles built during 2001, 2002, and 2003 model years.

The manual is divided into 16 sections. Sections 1 through 15 pertain to the transportation vehicles, and Section 16 pertains to tools that are used on all Club Car products. Note that there are two flags on the outside edge of each page. The first flag contains the section number of which that page is a part. The other flag contains the letter G, signifying that the page pertains to the gasoline vehicle only.

Use the Table of Contents to find the sections and pages that contain the parts and assemblies you seek. The Table of Contents lists section numbers, and under them, the individual page titles and numbers to be found in that section. The index can be used to find specific parts and assemblies. The index is divided into numerical and alphabetical listings with the page numbers in italic text.

There is a two-page spread for each individual page title in the Table of Contents. On the left-hand page is an illustration showing the parts in their relative positions; the parts are each tagged with an item number in a balloon. The right-hand page is the parts list page, and gives the page title at the top, then the item numbers (corresponding to the numbers on the illustration), part descriptions, and quantity of parts used. Some item numbers have more than one part number because several configurations of a component are represented together on one spread.

There are some wiring diagrams in this manual that cover two pages. For these diagrams the parts list page will be on the next two-page spread.

Note that a part description may be indented. This indentation corresponds to a parts assembly level indicated by the numbers 1, 2, 3, and 4 at the top left corner of the parts description area of the parts list page. A part that is indented to *level 2* is a component of the *level 1* part (assembly) that it is listed under. A *level 3* part is a component of the *level 2* part that it is listed under, and a *level 4* part is a component of the *level 3* part preceding it. In each case, the part quantity given for a level 2, 3, or 4 part *is the quantity used per next higher level assembly of which it is a component*. A part that is not indented is a *level 1* part. This means that the quantity given is the quantity used per the portion of the vehicle illustrated on that particular spread.

HOW TO ORDER PARTS

Replacement parts and accessories can be obtained from our network of authorized dealers and distributors. You can obtain the name and phone number of your closest Club Car contact by visiting our web site at www.clubcar.com and clicking on the "Find a Dealer" link or by calling our toll-free Service Parts and Technical Assistance hotline at (800) 872-2246 or (706) 863-3000, extension 3281 or 3854.



P. O. Box 204658
Augusta, Georgia 30917-4658 USA
Telephone 706-863-3000
Service Parts Fax 706-855-7413
www.clubcar.com

NOTE: *This illustrated parts list represents the most current information at the time of publication. Club Car, Inc. is continually working to further improve its vehicles and other products. These improvements may affect the parts used to service the vehicle. Any modification and/or significant change in specifications will be forwarded to all Club Car distributors/dealers and will, when applicable, appear in future editions of this illustrated parts list.*

Club Car, Inc. reserves the right to change specifications and designs at any time without notice and without the obligation of making changes to units previously sold.

Copyright © 2003 Club Car, Inc.
Club Car, PowerDrive, and ArmorFlex
are registered trademarks of Club Car, Inc.
This manual effective July 24, 2000.

2001 / 2002 / 2003 Transportation Vehicles Illustrated Parts List

The tables below highlight the differences between Villager and TransPorter vehicles. Use these tables as a guide when ordering parts for your vehicle.

For a complete list of vehicle specifications, refer to the vehicle's owner's manual or maintenance and service manual.

SPECIFICATIONS	Villager 4 Gasoline	Villager 4 Electric	Villager 6 Gasoline	Villager 6 Electric	Villager 8 Gasoline	Villager 8 Electric
Engine: FE290	•					
Engine: FE350			•		•	
Key switch: key-start			•		•	
Key switch: pedal-start	•	•		•		•
Electrical System: PowerDrive System 48				•		•
Electrical System: IQ System		see note				
Brakes: 2-wheel, self-adjusting	•	•				
Brakes: 4-wheel, manually-adjusting			•	•	•	•
Suspension: Front mono-leaf and rear multi-leaf springs	•	•				
Suspension: Front and rear multi-leaf springs			•	•	•	•
Standard light package			•	•	•	•

SPECIFICATIONS	TransPorter 4 Gasoline	TransPorter 4 Electric	TransPorter 6 Gasoline	TransPorter 6 Electric
Engine: FE350	•	•	•	•
Key switch: key-start	•		•	
Key switch: pedal-start		•		•
Brakes: 2-wheel, self-adjusting				
Brakes: 4-wheel, manually-adjusting	•	•	•	•
Suspension: Front mono-leaf and rear multi-leaf springs		•		•
Suspension: Front and rear multi-leaf springs	•		•	
Standard light package	•	•	•	•

NOTE: 2001 model-year Villager 4 electric vehicles used the PowerDrive System 48 electrical system. Beginning 2002 model-year, all Villager 4 electric vehicles use the IQ System.

CONTENTS

SECTION 1 – BODY AND TRIM

Front Body	1-3
Dash and Floor Components	1-5
Rear Body and Fender – Villager 4	1-7
Front Seat Bottom and Armrests – Villager 4	1-9
Seat Backs, Rear Seat Bottom and Support Structure – Villager 4	1-11
Rear Footrest and Handrails – Villager 4, Villager 6, and Villager 8	1-13
Center Body and Trim – Villager 6 and Villager 8	1-15
Rear Body and Fender – Villager 6 and Villager 8	1-17
Seat Bottoms – Villager 6 and Villager 8	1-19
Seat Backs and ArmRests – Villager 6 and Villager 8	1-21
Rear-Facing Seat and Support – Villager 6 and Villager 8	1-23
First Seat and Support Structure –TransPorter 4 and TransPorter 6	1-25
Second Seat and Support Structure –TransPorter 4 and TransPorter 6	1-27
Third Seat and Components – TransPorter 6	1-29
Rear Footrest and Handrails – TransPorter 6	1-31
Rear Body Trim – TransPorter 4 and TransPorter 6	1-33
Rear Cargo Bed – TransPorter 4	1-35
Stake Side – TransPorter 4	1-37

SECTION 2 – WHEELS AND TIRES

Wheels and Tires – Villager 4	2-3
Wheels and Tires – Villager 6, Villager 8, TransPorter 4, and TransPorter 6	2-5

SECTION 3 – DECALS

Decals – Villager 4	3-3
Decals – Villager 4, Continued	3-5
Decals, Front Body – Villager 6 and Villager 8	3-7
Decals, Rear Body – Villager 6	3-9
Decals, Center and Rear Body – Villager 8	3-11
Decals – TransPorter 4 and TransPorter 6	3-13
Decals – TransPorter 4 and TransPorter 6, Continued	3-15
Decals – TransPorter 4 and TransPorter 6, Continued	3-17

SECTION 4 – BRAKES, PEDAL, AND CABLE ASSEMBLIES

Rear Brake Assembly, Self-Adjusting – Villager 4	4-3
Rear Brake Assembly, Manually Adjusted – Villager 6 and 8, TransPorter 4 and 6	4-5
Brake Pedal and Cable Assembly – Vehicle with Two-Wheel Brakes	4-7
Brake Pedal and Cable Assembly – Vehicle with Four-Wheel Brakes	4-9

CONTENTS

Front Brake Assembly – Vehicle with Four-Wheel Brakes	4-11
Accelerator Pedal Assembly – Villager 4, all Electric with MCOR, and Gasoline Vehicles	4-13
Accelerator Pedal Assembly – Electric Vehicles with Potentiometer	4-15

SECTION 5 – STEERING, FRONT AND REAR SUSPENSION

Steering Column	5-3
Steering Gear Assembly	5-5
Front Suspension, Upper – Villager 4	5-7
Front Suspension, Lower – Villager 4	5-9
Front Suspension, Upper – Villager 6, Villager 8, TransPorter 4, and TransPorter 6	5-11
Front Suspension, Lower – Villager 6, Villager 8, TransPorter 4, and TransPorter 6	5-13
Rear Suspension – Villager 4	5-15
Rear Suspension – Villager 6, Villager 8, TransPorter 4, and TransPorter 6	5-17
Stabilizer Bar – Gasoline Villager 6, Villager 8, TransPorter 4, and TransPorter 6	5-19

SECTION 6 – ELECTRICAL SYSTEM – GASOLINE VEHICLE

Forward/Reverse Shifter Assembly – Gasoline Vehicle	6-3
Wiring – Gasoline Villager 4	6-5
Electrical Component Box – Gasoline Villager 4	6-7
Electrical Components, Front Body – Gasoline Villager 4	6-9
Wiring – Gasoline Villager 6, Villager 8, TransPorter 4, and TransPorter 6	6-13
Electrical Component Box – Gasoline Villager 6 and 8, TransPorter 4 and 6	6-15
Electrical Components, Front Body – Gasoline Villager 6 and 8, TransPorter 4 and 6	6-17
Controls and Indicators – Gasoline Villager 6, Villager 8, TransPorter 4, and TransPorter 6	6-19
Electrical Components, Rear Body – Gasoline Villager 6 and Villager 8	6-21
Electrical Components, Rear Body – Gasoline TransPorter 4 and TransPorter 6	6-23
Starter/Generator Assembly	6-25
Starter/Generator Mounting	6-27
Battery – Gasoline Vehicle	6-29

SECTION 7 – ENGINE

FE290 Engine – Shrouds and Brackets	7-3
FE290 Engine – Ignition Components and Flywheel	7-5
FE290 Engine – Oil Circulation	7-7
FE290 Engine – Cylinder Head	7-9
FE290 Engine – Crankcase, Camshaft and Oil Sensor	7-11
FE290 Engine – Crankcase and Crankshaft	7-13
FE350 Engine – Shrouds and Brackets	7-15
FE350 Engine – Ignition Components and Flywheel	7-17
FE350 Engine – Oil Circulation	7-19

CONTENTS

FE350 Engine – Cylinder Head	7-21
FE350 Engine – Crankcase, Camshaft and Oil Sensor	7-23
FE350 Engine – Crankcase and Crankshaft	7-25
Engine Mounting	7-27

SECTION 8 – FUEL, INTAKE, AND GOVERNOR SYSTEMS

Fuel System	8-3
Carburetor Assembly, FE290 Engine – Villager 4	8-5
Carburetor Assembly, FE350 Engine – Villager 6, Villager 8, TransPorter 4, and TransPorter 6	8-7
Carburetor Installation	8-9
Governor and Accelerator Cables	8-11
Intake Duct, Choke, and Air Box Assembly – Villager 4	8-13
Intake Duct, Choke, and Air Box Assembly – Villager 6 and 8, TransPorter 4 and 6	8-15

SECTION 9 – EXHAUST SYSTEM

Exhaust System, FE290 – Villager 4	9-3
Exhaust System, FE350 – Villager 6, Villager 8, TransPorter 4, and TransPorter 6	9-5

SECTION 10 – TORQUE CONVERTER

Drive Clutch	10-3
Driven Clutch	10-5

SECTION 11 – UNITIZED TRANSAXLE – GASOLINE VEHICLE

Unitized Transaxle, Gasoline Vehicle – Gear Cases and Brackets	11-3
Unitized Transaxle, Gasoline Vehicle – F&R Transmission and Gear Reduction	11-5
Unitized Transaxle, Gasoline Vehicle – Differential and Axles	11-7

SECTION 12 – ELECTRICAL SYSTEM – ELECTRIC VEHICLE

Electrical Components, Front Body – Villager 4 Vehicle	12-3
Multi-Step Potentiometer – Villager 4 PowerDrive System 48 Vehicle	12-5
Wiring – Villager 4 PowerDrive System 48 Vehicle with Multi-Step Potentiometer	12-7
Motor Controller Output Regulator (MCOR) – PowerDrive System 48 and IQ System Vehicles	12-9
Wiring – Villager 4 PowerDrive System 48 Vehicle with MCOR	12-11
Forward/Reverse Switch – PowerDrive System 48 Vehicle	12-13
Batteries, Charger Receptacle – Villager 4 PowerDrive System 48 Vehicle	12-15
Computer, Controller, and Solenoid – Villager 4 PowerDrive System 48 Vehicle	12-17
Wiring – Villager 4 IQ System Vehicle	12-19
Forward/Reverse Switch, Tow/Run Switch – Villager 4 IQ System Vehicle	12-21
Batteries, Charger Receptacle – Villager 4 IQ System Vehicle	12-23

CONTENTS

Computer, Controller, and Solenoid – Villager 4 IQ System Vehicle	12-25
Continuously Variable Potentiometer – Villager 6 and 8, TransPorter 4 and 6 Vehicles	12-27
Wiring – PowerDrive System 48 Villager 6 and 8 with Continuously Variable Potentiometer	12-31
Wiring – PowerDrive System 48 Villager 6 and 8 Vehicles with MCOR	12-35
Electrical Components, Front Body –Villager 6 and 8, TransPorter 4 and 6 Vehicles	12-37
Controls and Indicators –Villager 6 and 8, TransPorter 4 and 6 Vehicles	12-39
Electrical Components, Center Body – Villager 6 and 8, TransPorter 4 and 6 Vehicles	12-41
Electrical Components, Center Body, Continued –Villager 6 and 8, TransPorter 4 and 6 Vehicles	12-43
Charger Receptacle – Villager 6 and Villager 8 Vehicles	12-45
Electrical Components, Rear Body –Villager 6 and Villager 8 Vehicles	12-47
Wiring – TransPorter 4 and TransPorter 6 with Continuously Variable Potentiometer	12-51
Wiring – TransPorter 4 and TransPorter 6 with Motor Controller Output Regulator (MCOR)	12-55
Electrical Components, Rear Body – TransPorter 4 and TransPorter 6 Vehicles	12-57

SECTION 13 – ELECTRIC MOTOR

Motor – PowerDrive System 48 Vehicle	13-3
Motor – IQ System Vehicle	13-5

SECTION 14 – TRANSAXLE – ELECTRIC VEHICLE

Transaxle, Type G – Electric Vehicle	14-3
--	------

SECTION 15 – BATTERY CHARGER

PowerDrive Battery Charger, Domestic – Villager 4, Villager 6, and Villager 8	15-3
PowerDrive 2 Charger, Domestic – Villager 4	15-5
PowerDrive Battery Charger, Export – Villager 4, Villager 6, and Villager 8	15-7
PowerDrive Battery Charger, European – Villager 4, Villager 6, and Villager 8	15-9
Onboard PowerDrive Battery Charger, Domestic – TransPorter 4 and TransPorter 6	15-11
Onboard PowerDrive Battery Charger, Export – TransPorter 4 and TransPorter 6	15-13

SECTION 16 – MAINTENANCE AND SERVICE TOOLS

Maintenance and Service Tools	16-3
Maintenance and Service Tools, Continued	16-5
Maintenance and Service Tools, Continued	16-7

SECTION i – INDEX

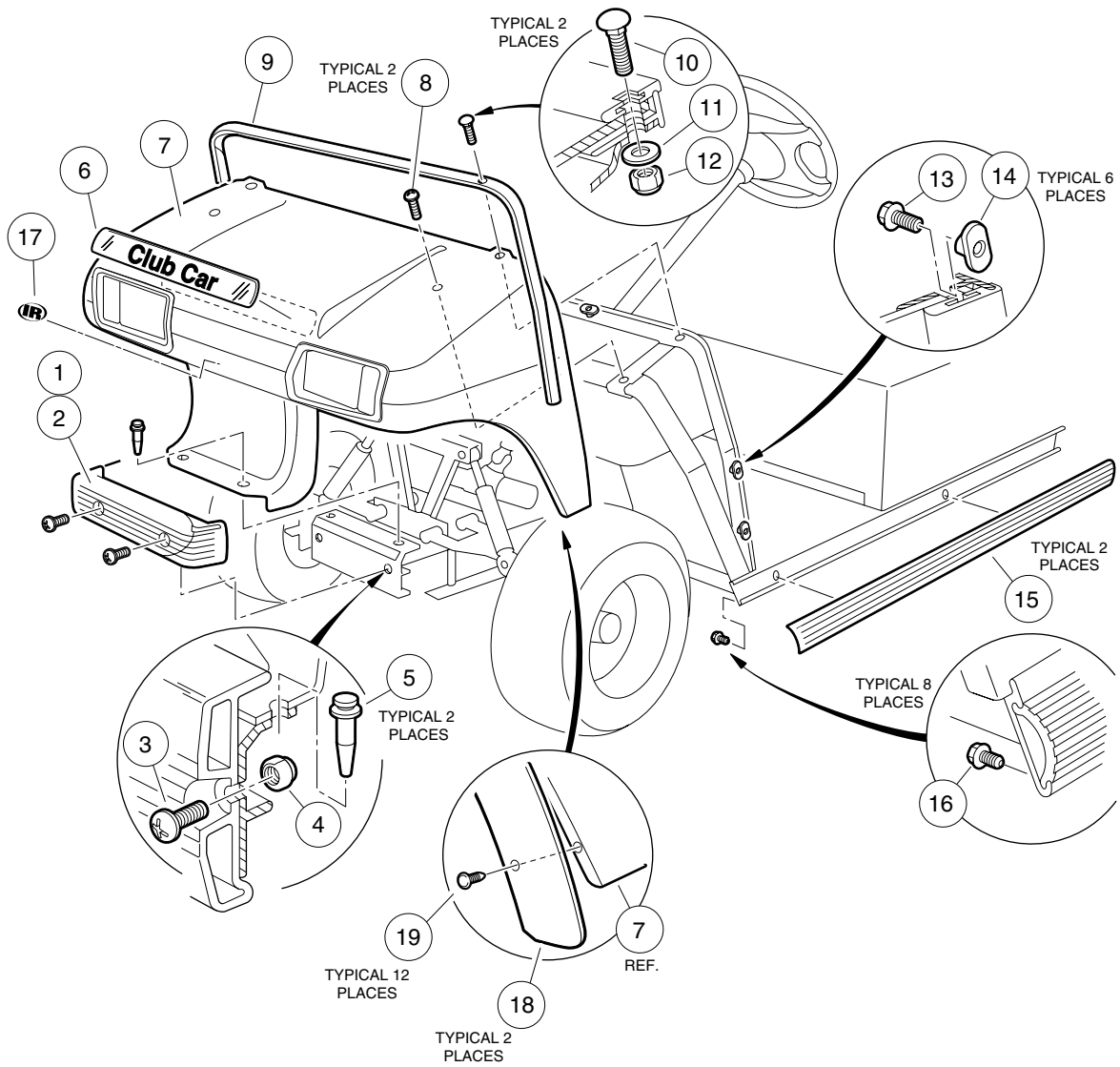
BODY AND TRIM

1

G

E

1
G
E

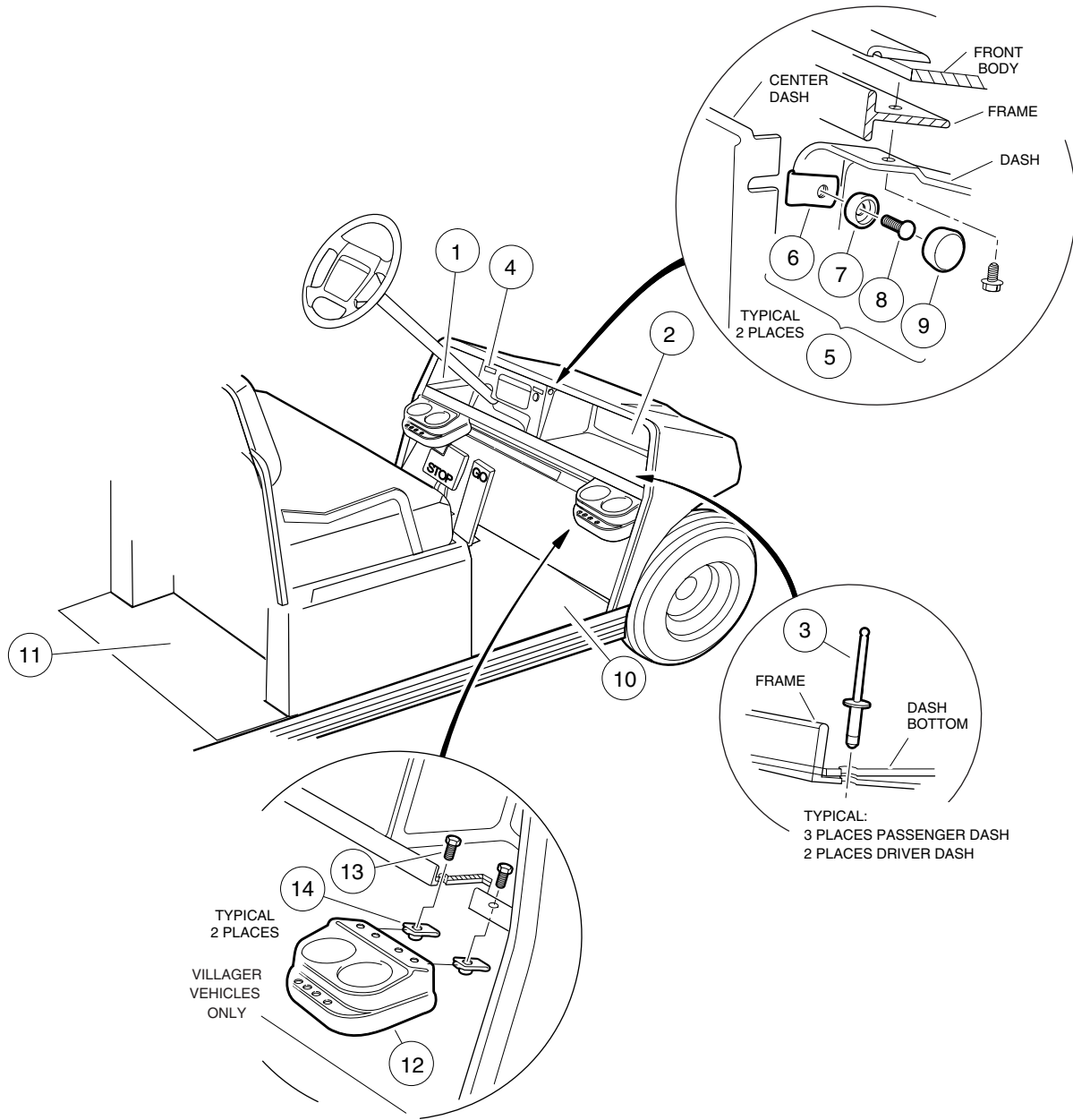


FRONT BODY

ITEM	PART NO.	DESCRIPTION	QTY GAS	QTY ELEC
		1 2 3 4		
1	1017080	Kit, Front Bumper (includes items 2 - 5)	1	1
2	1016868	Bumper, Front	1	1
3	7251	Screw, Phillips Truss-Head, 5/16-18 x 1	2	2
4	7473	Nut, Nylon Lock, 5/16-18	2	2
5	1016967	Rivet, Blind Push Type	2	2
6	101670201	Nameplate, Club Car (silver)	1	1
6	1014198	Nameplate, Club Car (gold)	1	1
7	101692501	Body, Front – Beige (Villager 4 only without headlights)	1	1
7	101692502	Body, Front – White	1	1
7	101692504	Body, Front – Gray	1	1
7	101692506	Body, Front – Red	1	1
7	101692509	Body, Front – Pacific Blue (royal blue)	1	1
7	101692510	Body, Front – Dark Green	1	1
7	101692511	Body, Front – Black	1	1
7	101692512	Body, Front – Classic Blue (Navy)	1	1
7	101692513	Body, Front – Burgundy	1	1
7	101692514	Body, Front – Dark Gray (TransPorter vehicles only)	1	1
7	101692515	Body, Front – Safety Yellow (TransPorter vehicles only)	1	1
7	101693901	Body, Front with Headlight Opening – Beige	1	1
7	101693902	Body, Front with Headlight Opening – White	1	1
7	101693904	Body, Front with Headlight Opening – Gray	1	1
7	101693906	Body, Front with Headlight Opening – Red	1	1
7	101693908	Body, Front with Headlight Opening – Pacific Blue (royal blue)	1	1
7	101693909	Body, Front with Headlight Opening – Dark Green	1	1
7	101693910	Body, Front with Headlight Opening – Black	1	1
7	101693911	Body, Front with Headlight Opening – Classic Blue (navy)	1	1
7	101693912	Body, Front with Headlight Opening – Burgundy	1	1
7	101693913	Body, Front with Headlight Opening – Dark Gray (TransPorters only)	1	1
7	101693914	Body, Front with Headlight Opening – Safety Yellow (TransPorters only) ...	1	1
8	7251	Screw, Phillips Truss-Head, 5/16-18 x 1	2	2
9	1011014	Trim, Front Body	1	1
10	1010435	Bolt, Carriage, 5/16-18 x 1	2	2
11	1241	Washer, Flat, 5/16	2	2
12	7473	Nut, Nylon Lock, 5/16-18	2	2
13	1011017	Screw, Flange Lock, #8-32 x 3/8	6	6
14	1011394	Nut, Slab Base "T" (package of 4 pieces)	1	1
15	101347501	Trim, Side Bumper Guard (Villager 4)	2	2
15	1016711	Trim, Side Bumper Guard (Villager 6)	2	2
15	101791901	Trim, Side Bumper Guard (Villager 8)	2	2
15	101347503	Trim, Side Bumper Guard (TransPorter 4 and TransPorter 6)	2	2
16	102310701	Screw, Hex Washer-Head, #8-18 x 3/8	8	8
17	102259001	Decal, IR (gold)	1	1
17	102259101	Decal, IR (silver)	1	1
18	101870401	Extrusion, Front Fender (vehicles with 4-wheel brakes)	2	2
19	1010434	Barrel, Plastic (vehicles with 4-wheel brakes)	12	12

1
G
E

1
G
E

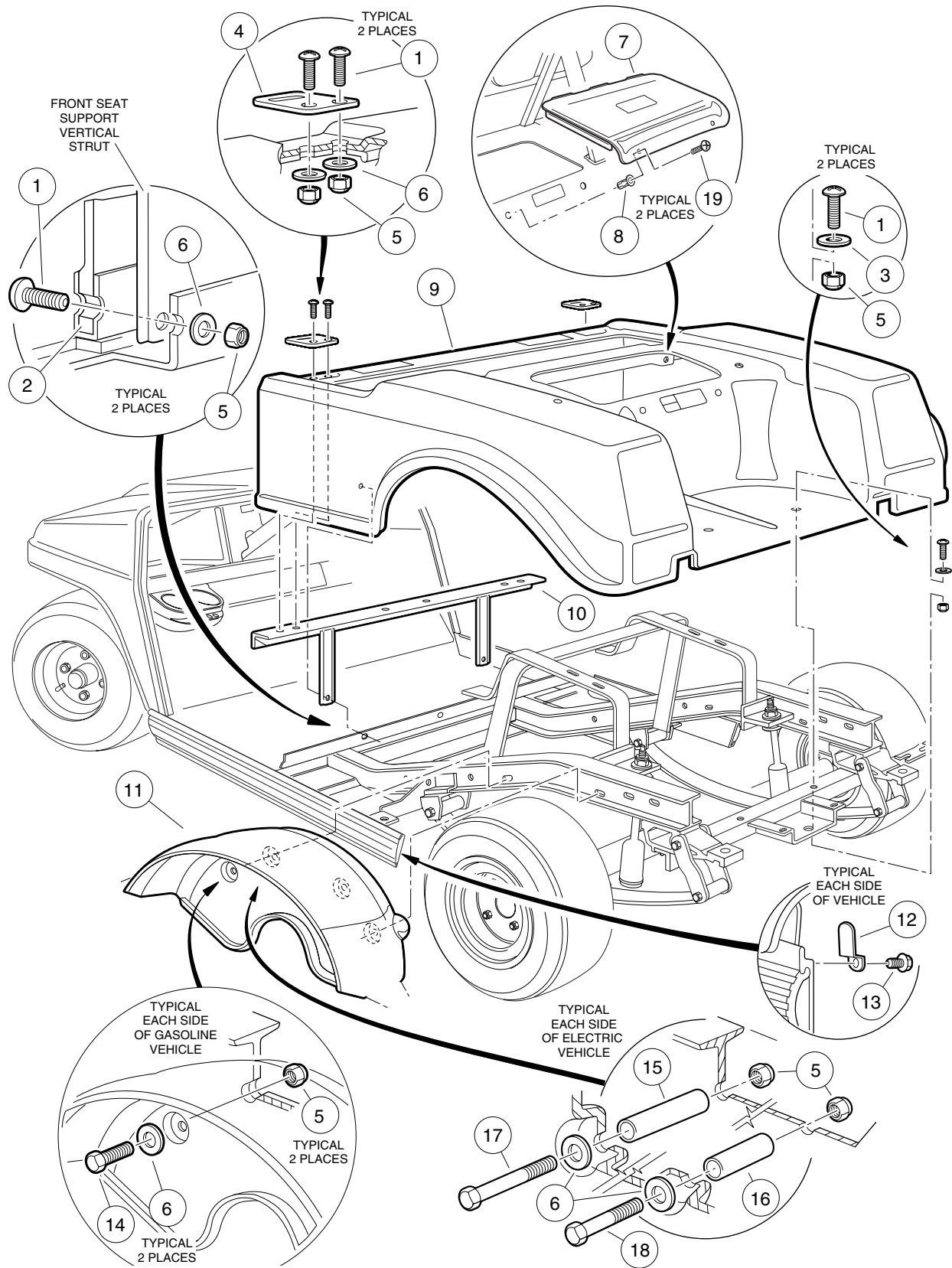


DASH AND FLOOR COMPONENTS

ITEM	PART NO.	DESCRIPTION	QTY GAS	QTY ELEC
		1 2 3 4		
1	1013344	Component, Dash, Driver-Side (black)	1	1
2	1013343	Component, Dash, Passenger-Side (black)	1	1
3	7973	Rivet, Aluminum Pop, 3/16	5	5
4	101660404	Panel, Center Dash	1	1
5	1014645	Kit, Snap Washer (black) (includes items 6 - 9)	2	2
6	1011019	Nut, Speed, #10-32	1	1
7	1011382	Washer, Cup, #10	1	1
8	1620	Screw, Sheet Metal, #10 x 3/4	1	1
9	1013494	Cover, Screw-Head	1	1
10	1015032	Mat, Floor, Front	1	1
11	1017289	Mat, Floor, Rear (Villager 6 and Villager 8 only; Villager 8 requires quantity of 2)	1	1
11	1016718	Mat, Floor, Rear (TransPorter 4 and TransPorter 6 only)	1	1
12	101708301	Kit, Drink Holder (includes items 13 and 14) (Villager vehicles only).....	2	2
13	7847	Screw, Hex-Head Cap, 1/4-20 x 3/4	2	2
14	1016952	U-Nut, 1/4-20	2	2

1
G
E

1
G
E

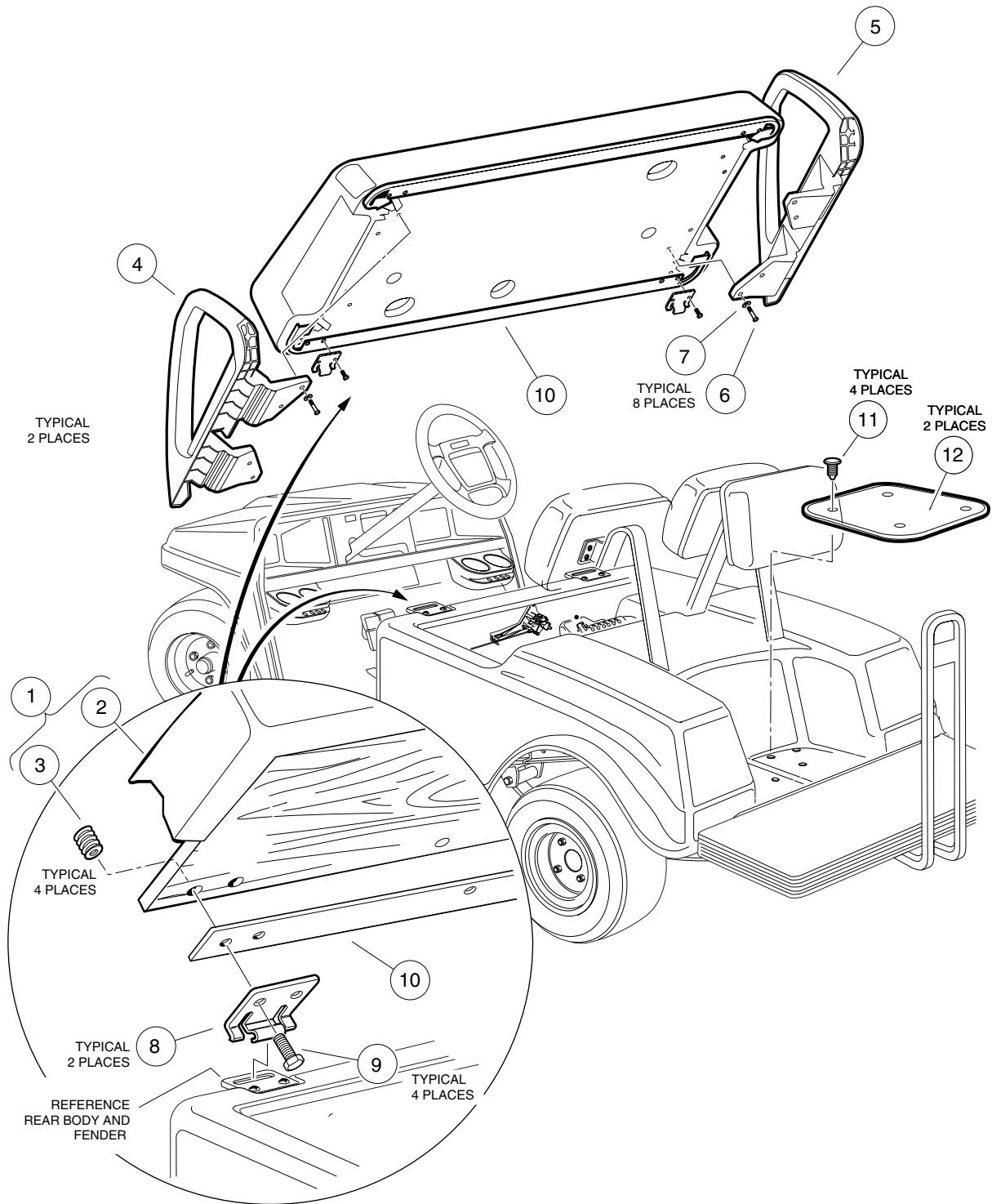


REAR BODY AND FENDER – VILLAGER 4

ITEM	PART NO.	DESCRIPTION	QTY GAS	QTY ELEC
		1 2 3 4		
1	8251	Screw, Phillips-Head, 1/4-20 x 1	8	8
2	101904101	Plate, Body Kick	1	1
3	1014306	Washer, Flat, Type B, 1/4	2	2
4	1012412	Plate, Body Hinge	2	2
5	8233	Nut, Nylon Lock, 1/4-20	12	12
6	332	Washer, Flat, 1/4	10	10
7	1013032	Door, Access – Black	1	1
8	1015525	Nut, Blind, 1/4-20	2	2
9	101692601	Body, Rear – Beige	1	
9	101692602	Body, Rear – White	1	
9	101692604	Body, Rear – Gray	1	
9	101692606	Body, Rear – Red	1	
9	101692609	Body, Rear – Pacific Blue (royal blue)	1	
9	101692610	Body, Rear – Dark Green.....	1	
9	101692611	Body, Rear – Black	1	
9	101692612	Body, Rear – Classic Blue (navy)	1	
9	101692613	Body, Rear – Burgundy	1	
9	101693301	Body, Rear – Beige		1
9	101693302	Body, Rear – White		1
9	101693304	Body, Rear – Gray		1
9	101693306	Body, Rear – Red		1
9	101693309	Body, Rear – Pacific Blue (royal blue)		1
9	101693310	Body, Rear – Dark Green		1
9	101693311	Body, Rear – Black		1
9	101693312	Body, Rear – Classic Blue (navy)		1
9	101693313	Body, Rear – Burgundy		1
10	1017141	Support, Front Body	1	1
11	1017936	Fender, Inner	2	2
12	1017748	Clip, Body Keeper	2	2
13	102310701	Screw, Hex Washer-Head, #8-18 x 3/8	2	2
14	304	Screw, Hex-Head Cap, 1/4-20 x 1	4	
15	1017814	Spacer, 1-7/8		2
16	1017815	Spacer, 1/2		2
17	1012159	Screw, Hex-Head Cap, 1/4-20 x 2-3/4		2
18	7479	Screw, Hex-Head Cap, 1/4-20 x 1-1/4		2
19	8248	Screw, Phillips Truss-Head, 1/4-20 x 3/4	2	2

1
G
E

1
G
E

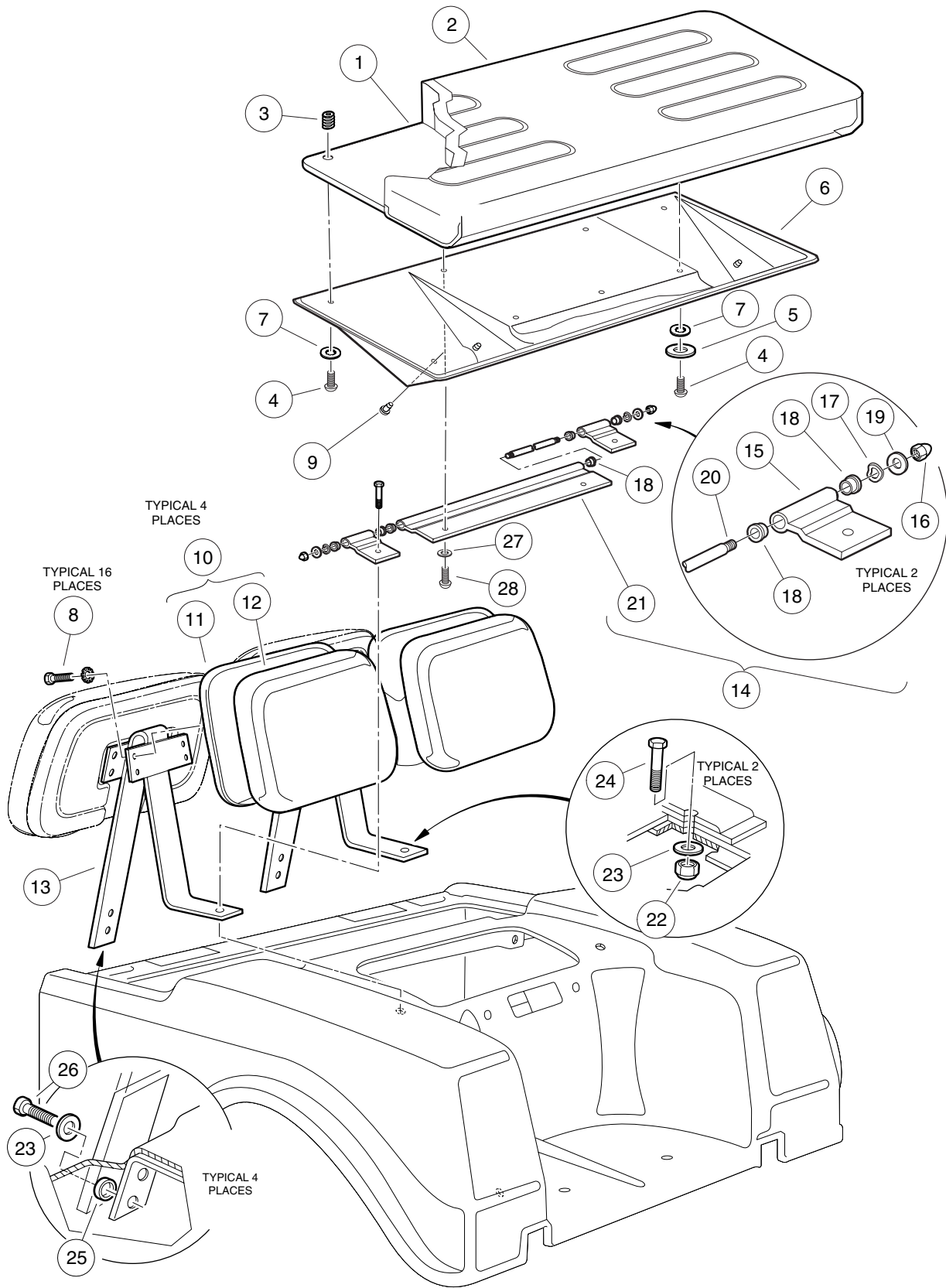


FRONT SEAT BOTTOM AND ARMRESTS – VILLAGER 4

ITEM	PART NO.	DESCRIPTION	QTY GAS	QTY ELEC
		1 2 3 4		
1	102174201	Assembly, Seat Bottom – Buff (includes items 2 and 3)	1	1
1	102174202	Assembly, Seat Bottom – White (includes items 2 and 3)	1	1
1	102174204	Assembly, Seat Bottom – Black (includes items 2 and 3)	1	1
1	102174205	Assembly, Seat Bottom – Gray (includes items 2 and 3)	1	1
2	101998201	Cover, Vinyl Seat Bottom – Buff	1	1
2	101998202	Cover, Vinyl Seat Bottom – White	1	1
2	101998204	Cover, Vinyl Seat Bottom – Black	1	1
2	101998205	Cover, Vinyl Seat Bottom – Gray	1	1
3	1010543	Insert, Wood	4	4
4	101987601	Armrest, Driver-Side	1	1
5	101985501	Armrest, Passenger-Side	1	1
6	1016916	Screw, Hex-Head Cap, 1/4-20 x 1-1/2	8	8
7	332	Washer, Flat, Type A	8	8
8	1011652	Plate, Seat Hinge, Stainless Steel	2	2
9	101954301	Screw, Hex-Head Cap, 1/4-20 x 3/4 (with patch)	4	4
10	101998501	Gasket, Seat	2	2
11	1014392	Mat, Bag Rest	2	2
12	1010434	Barrel, Plastic	8	8

1
G
E

1
G
E

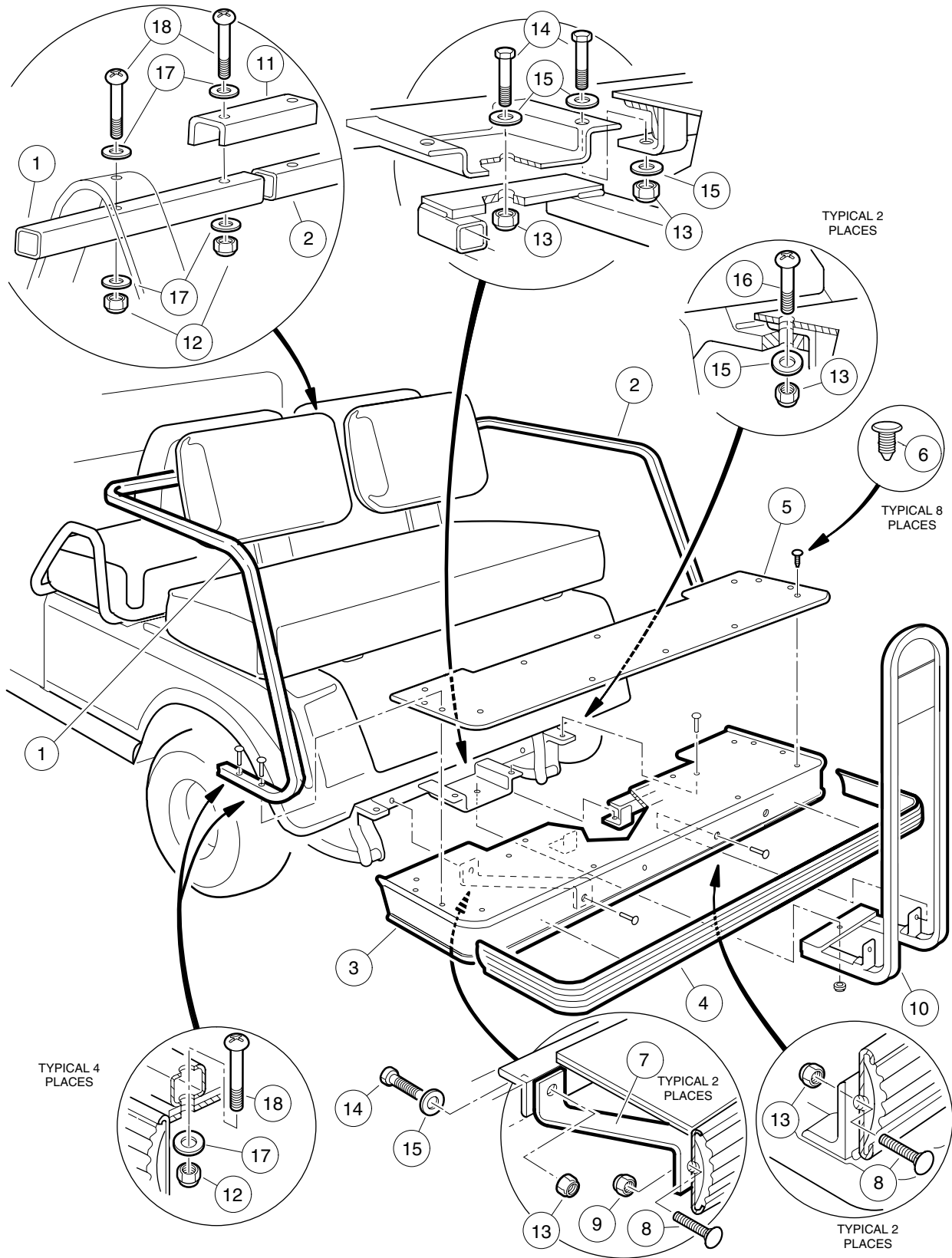


SEAT BACKS, REAR SEAT BOTTOM AND SUPPORT STRUCTURE – VILLAGER 4

ITEM	PART NO.	DESCRIPTION	QTY GAS	QTY ELEC
		1 2 3 4		
1	101564805	Assembly, Seat Bottom – White (includes items 2 and 3)	1	1
1	101564807	Assembly, Seat Bottom – Gray (includes items 2 and 3)	1	1
1	101564808	Assembly, Seat Bottom – Black (includes items 2 and 3)	1	1
2	101562702	Cover, Vinyl Seat Bottom – White	1	1
2	101562704	Cover, Vinyl Seat Bottom – Black	1	1
2	101562710	Cover, Vinyl Seat Bottom – Gray	1	1
3	1010543	Insert, Wood	7	7
4	8251	Screw, Phillips Truss-Head, 1/4-20 x 1	5	5
5	1011578	Washer, Flat, 5/16	3	3
6	1011210	Support, Seat	1	1
7	8304	Washer, Internal Tooth Lock, 1/4	5	5
8	101954301	Screw, Hex-Head Cap (with adhesive patch), 1/4-20 x 3/4	16	16
9	1011389	Bumper, Rubber (package of 5)	1	1
10	101565202	Assembly, Seat Back, Thin – White (includes items 11 and 12)	4	4
10	101565205	Assembly, Seat Back, Thin – Black (includes items 11 and 12)	4	4
10	101565206	Assembly, Seat Back, Thin – Gray (includes items 11 and 12)	4	4
11	1013335	Cap, Seat Back – Black	1	1
12	101562602	Cover, Vinyl Seat Back – White	1	1
12	101562604	Cover, Vinyl Seat Back – Black	1	1
12	101562605	Cover, Vinyl Seat Back – Gray	1	1
13	1011182	Support, Seat Back	2	2
14	1011219	Assembly, Hinge (includes items 15 - 21)	1	1
15	1011221	Hinge, Short	2	2
16	1015091	Nut, Centerlock Cap, 1/4-20 x 1/4	2	2
17	1010695	Washer, Curved Spring, 1/4	2	2
18	8028	Bushing, Nylon	6	6
19	332	Washer, Flat, 1/4	2	2
20	1011222	Pin, Hinge, Long	1	1
21	1011220	Hinge, Long	1	1
22	7473	Nut, Nylon Lock, 5/16-18	2	2
23	1241	Washer, Flat, 5/16	6	6
24	1010577	Screw, Hex-Head Cap, 5/16-18 x 1-1/2	2	2
25	1017774	Spacer, Body	4	4
26	101910401	Screw, Thread-Forming, 5/16-18 x 1-1/4	4	4
27	1014007	Washer, Lock, 1/4	2	2
28	1016916	Screw, Hex-Head Cap, With Nylon Patch, 1/4-20 x 1-1/2	2	2

1
G
E

1
G
E

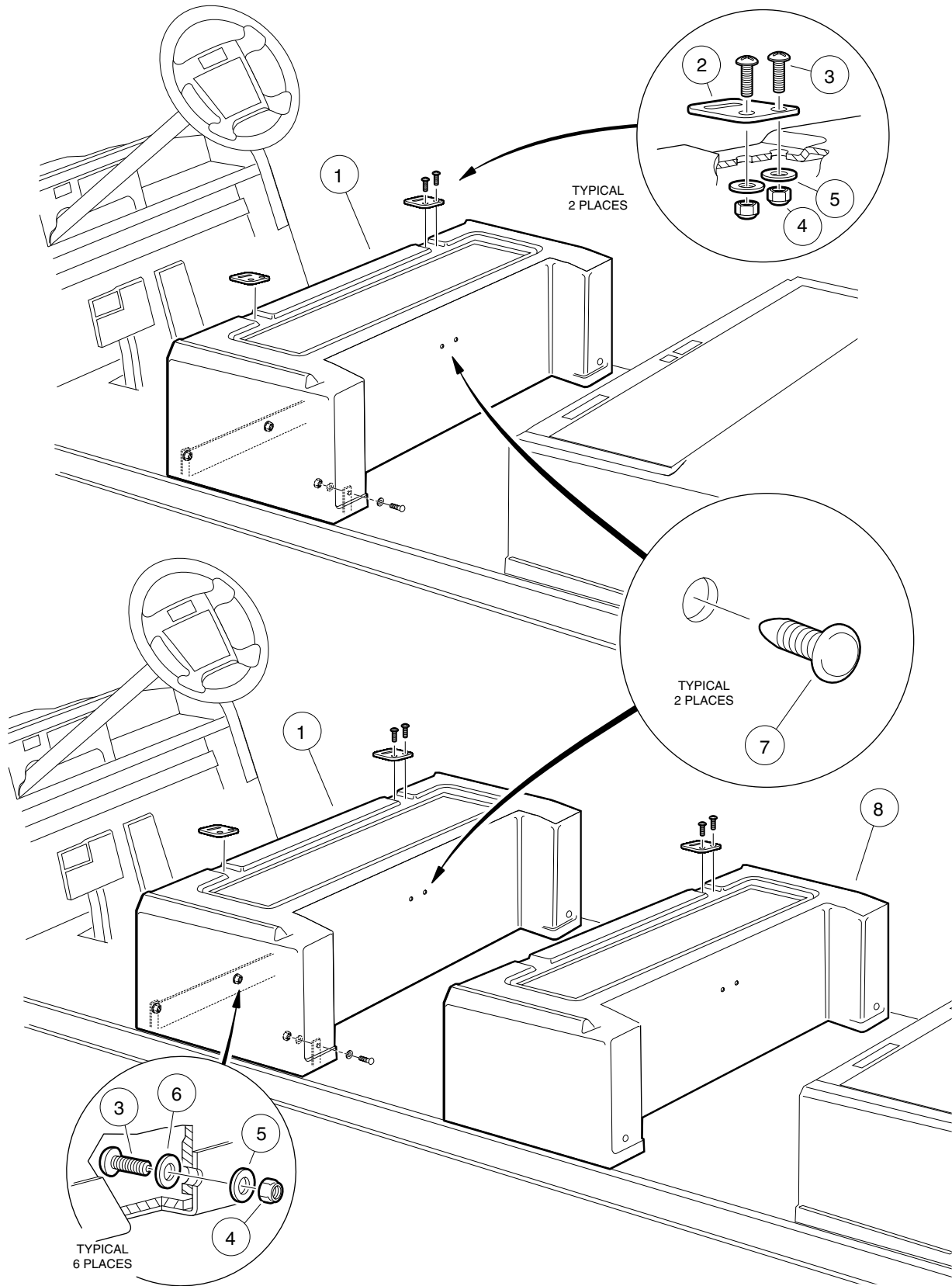


REAR FOOTREST AND HANDRAILS – VILLAGER 4, VILLAGER 6, AND VILLAGER 8

ITEM	PART NO.	DESCRIPTION	QTY GAS	QTY ELEC
		1 2 3 4		
1	101841202	Armrest, Rear Seat, Driver-Side	1	1
2	101841201	Armrest, Rear Seat, Passenger-Side	1	1
3	101841101	Assembly, Rear Footrest (includes items 4 - 9)	1	1
4	101347505	Guard, Bumper	1	1
5	101840901	Mat, Footrest	1	1
6	1010434	Fastener, Plastic Barrel	8	8
7	1016668	Bar, Connecting	2	2
8	1010435	Bolt, Carriage, 5/16-18 x 1	4	4
9	7473	Nut, Nylon Lock, 5/16-18	2	2
10	1016842	Handrail, Rear Seat	1	1
11	101841301	Bracket, Armrest	1	1
12	8233	Nut, Nylon Lock, 1/4-20	8	8
13	7473	Nut, Nylon Lock, 5/16-18	9	9
14	1218	Screw, Hex-Head Cap, 5/16-18 x 1-1/4	5	5
15	1241	Washer, Flat, 5/16	9	9
16	7410	Screw, Truss-Head, 5/16-18 x 1-1/4	2	2
17	332	Washer, Flat, 1/4	8	8
18	1011988	Screw, Phillips Truss-Head, 1/4-20 x 2	8	8

1
G
E

1
G
E

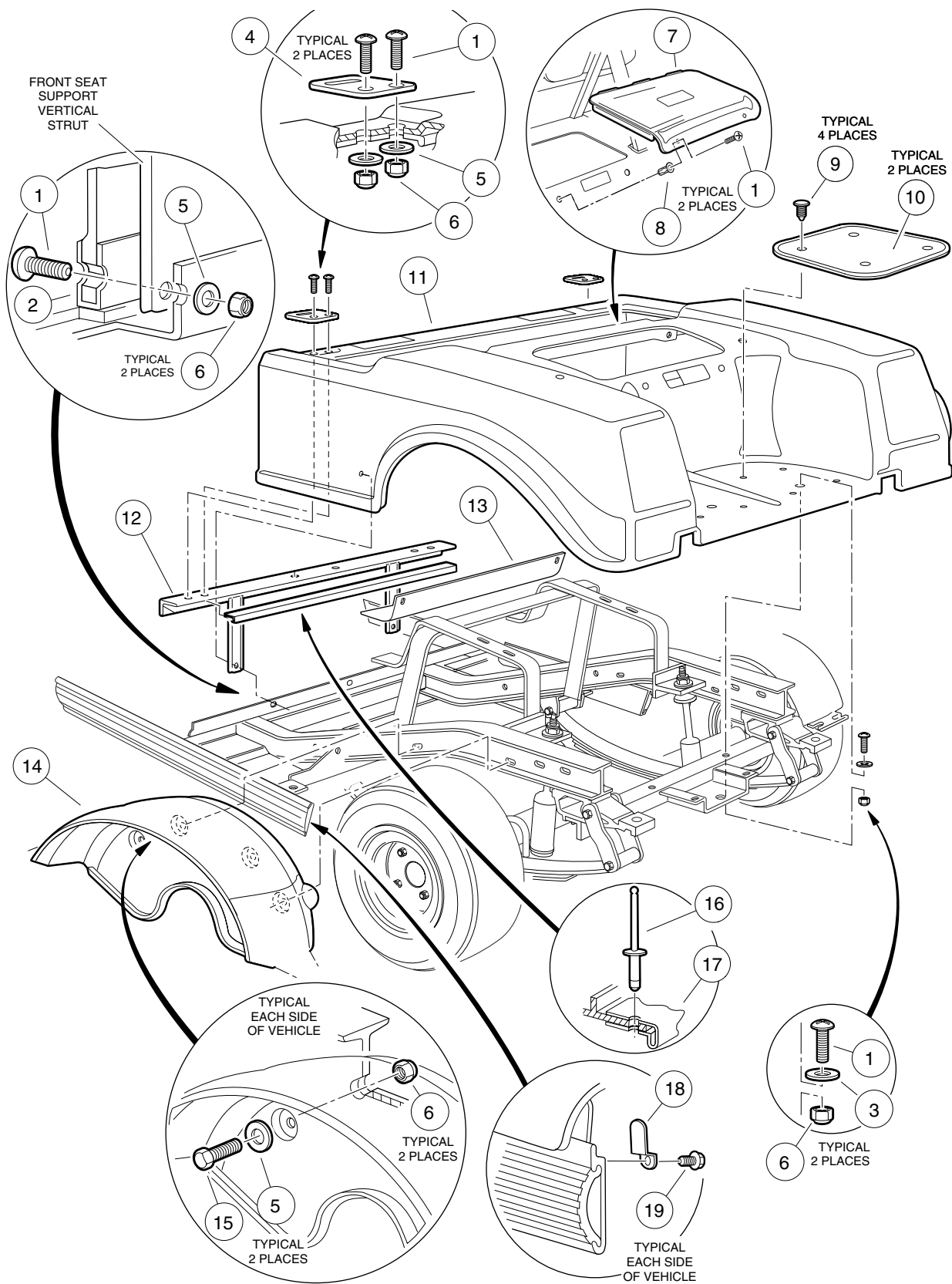


CENTER BODY AND TRIM – VILLAGER 6 AND VILLAGER 8

ITEM	PART NO.	DESCRIPTION	QTY GAS	QTY ELEC
		1 2 3 4		
1	101731601	Body, Center – Beige	1	1
1	101731602	Body, Center – White	1	1
1	101731604	Body, Center – Gray	1	1
1	101731606	Body, Center – Red	1	1
1	101731608	Body, Center – Pacific Blue (royal blue)	1	1
1	101731609	Body, Center – Dark Green	1	1
1	101731610	Body, Center – Black	1	1
1	101731611	Body, Center – Classic Blue (navy)	1	1
1	101731612	Body, Center – Burgundy	1	1
2	1012412	Plate, Seat Hinge	2	2
3	8251	Screw, Phillips Truss-Head, 1/4-20 x 1	10	10
4	8233	Nut, Nylon Lock, 1/4-20	10	10
5	332	Washer, Flat, 1/4	10	10
6	1012581	Washer, Nylon Cup, 1/4	6	6
7	1010434	Barrel, Plastic	2	2
		Villager 8 vehicles only*:		
8	101788201	Body, Mid-Center – Beige	1	1
8	101788202	Body, Mid-Center – White	1	1
8	101788204	Body, Mid-Center – Gray	1	1
8	101788206	Body, Mid-Center – Red	1	1
8	101788208	Body, Mid-Center – Pacific Blue (royal blue)	1	1
8	101788209	Body, Mid-Center – Dark Green	1	1
8	101788210	Body, Mid-Center – Black	1	1
8	101788211	Body, Mid-Center – Classic Blue (navy)	1	1
8	101788212	Body, Mid-Center – Burgundy	1	1
		*NOTE: The mid-center body uses the same hardware (items 2 - 7) as the center body (item 1).		

1
G
E

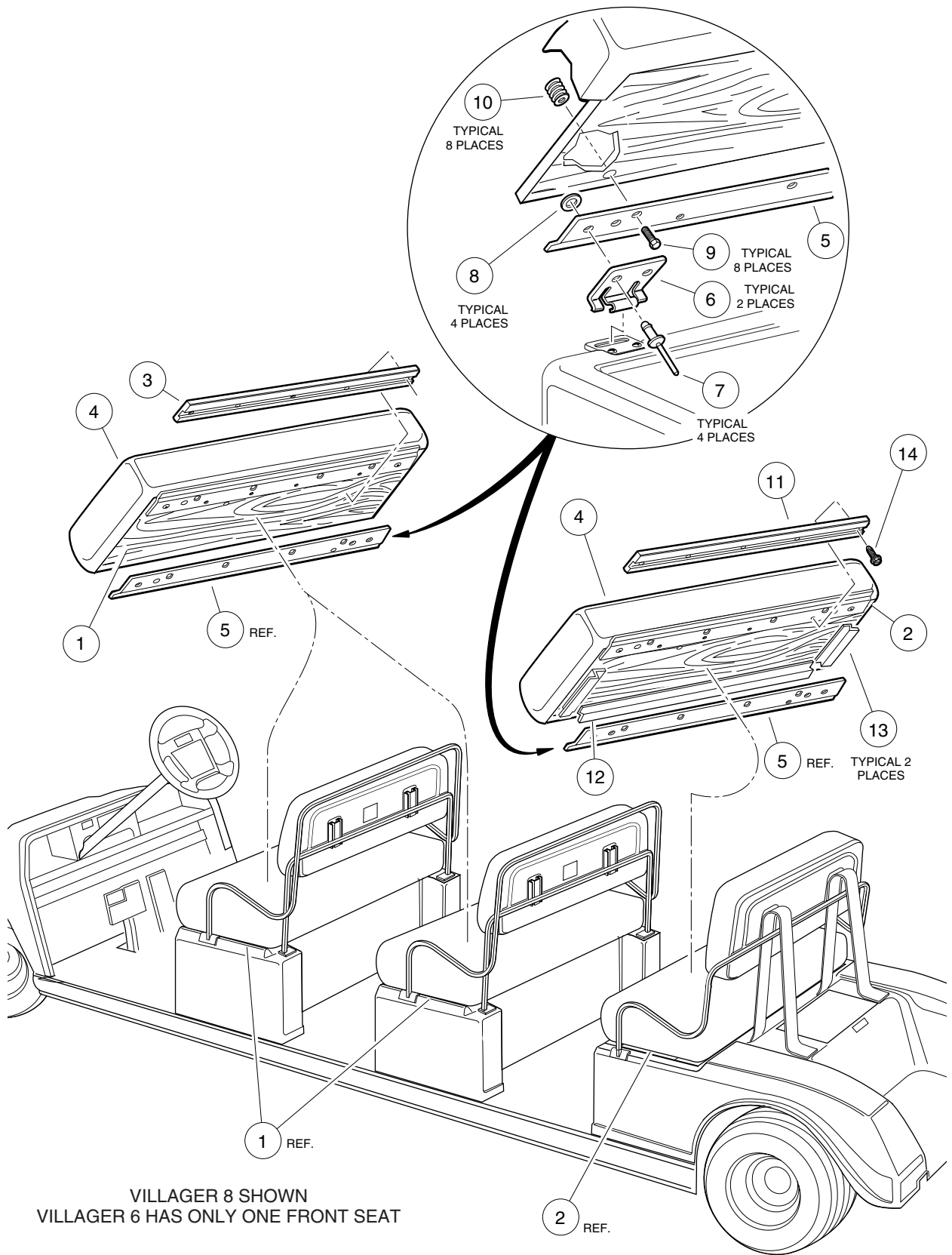
1
G
E



REAR BODY AND FENDER – VILLAGER 6 AND VILLAGER 8

ITEM	PART NO.	DESCRIPTION	QTY GAS	QTY ELEC
		1 2 3 4		
1	8251	Screw, Phillips Truss-Head, 1/4-20 x 1	10	10
2	101904101	Plate, Body Kick	1	1
3	1014306	Washer, Flat, Type B, 1/4	2	2
4	1012412	Plate, Body Hinge	2	2
5	332	Washer, Flat, 1/4	10	10
6	8233	Nut, Nylon Lock, 1/4-20	12	12
7	1013032	Door, Access – Black	1	1
8	1015525	Nut, Blind, 1/4-20	2	2
9	1010434	Barrel, Plastic	8	8
10	1014392	Mat, Bag Rest	2	2
11	101728701	Body – Beige	1	1
11	101728702	Body – White	1	1
11	101728704	Body – Gray	1	1
11	101728706	Body – Red	1	1
11	101728708	Body – Pacific Blue (royal blue)	1	1
11	101728709	Body – Dark Green	1	1
11	101728710	Body – Black	1	1
11	101728711	Body – Classic Blue (navy)	1	1
11	101728712	Body – Burgundy	1	1
12	1017141	Support, Front Body	1	1
13	101806901	Shield, Heat (gasoline vehicles only)	1	
14	1017936	Fender, Inner	2	2
15	7847	Screw, Hex Washer-Head, 1/4-20 x 3/4	4	4
16	1013357	Rivet, Pop (electric vehicle only)		2
17	101837001	Insulator, Battery (electric vehicle only)		1
18	1017748	Clip, Body Keeper	2	2
19	102310701	Screw, Hex Washer-Head, #8-18 x 3/8	2	2

1
G
E

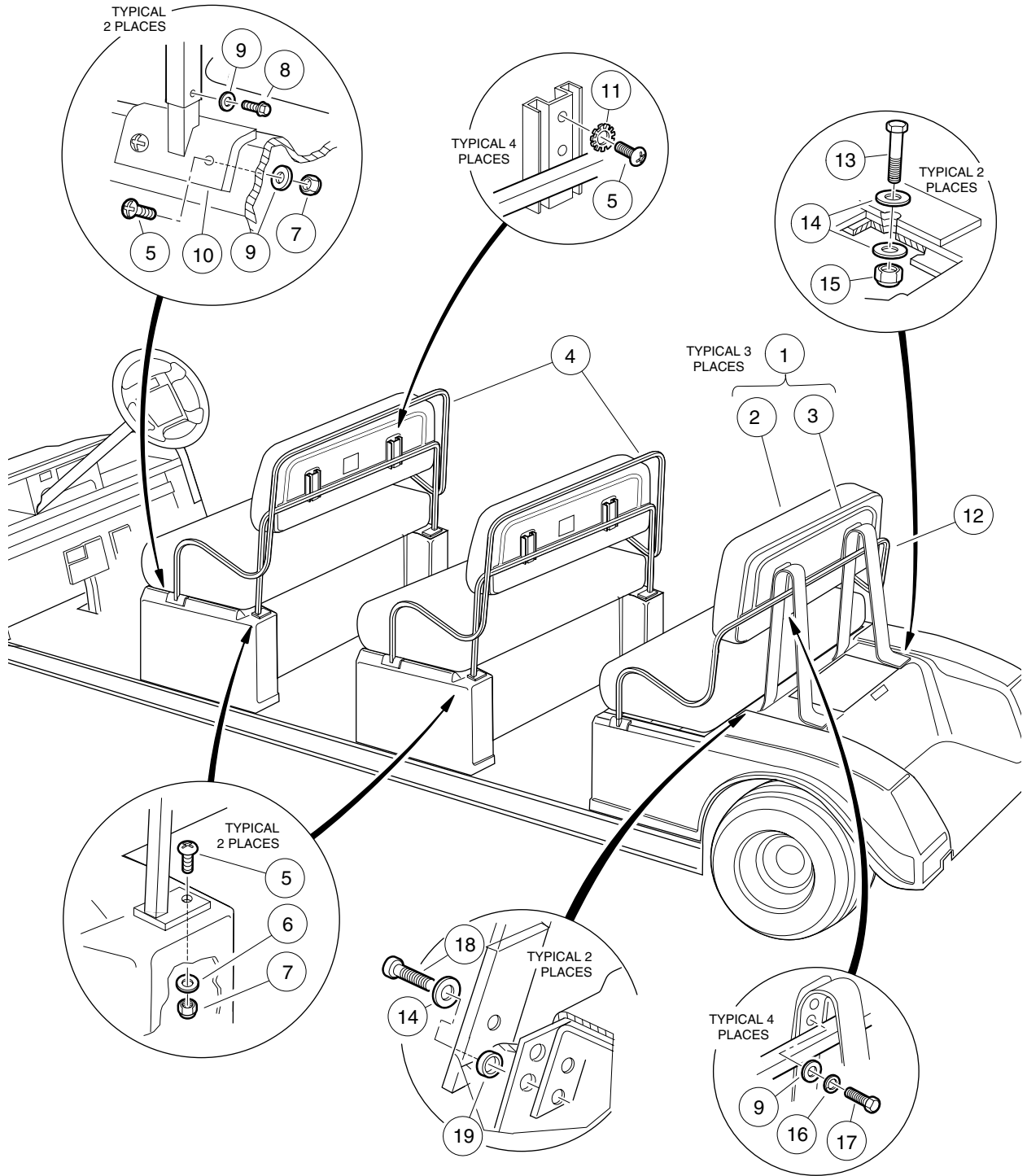


SEAT BOTTOMS – VILLAGER 6 AND VILLAGER 8

ITEM	PART NO.	DESCRIPTION	QTY GAS	QTY ELEC
		1 2 3 4		
1	101728201	Assembly, Front Seat Bottom – White (includes items 3 - 10)	1	1
1	101728203	Assembly, Front Seat Bottom – Buff (includes items 3 - 10)	1	1
1	101728210	Assembly, Front Seat Bottom – Black (includes items 3 - 10)	1	1
1	101728213	Assembly, Front Seat Bottom – Gray (includes items 3 - 10).....	1	1
2	101728202	Assembly, Rear Seat Bottom – White (includes items 4 - 14)	1	1
2	101728204	Assembly, Rear Seat Bottom – Buff (includes items 4 - 14)	1	1
2	101728211	Assembly, Rear Seat Bottom – Black (includes items 4 - 14)	1	1
2	101728214	Assembly, Rear Seat Bottom – Gray (includes items 4 - 14)	1	1
3	1013312	Bumper, Seat – Long (first seat only)	1	1
4	101562701	Cover, Vinyl Seat Bottom – Buff	1	1
4	101562702	Cover, Vinyl Seat Bottom – White	1	1
4	101562704	Cover, Vinyl Seat Bottom – Black	1	1
4	101562710	Cover, Vinyl Seat Bottom – Gray	1	1
5	1017695	Bracket, Seat Support	2	2
6	1011652	Plate, Seat Hinge	2	2
7	101880901	Rivet, Pop, Stainless Steel, 3/16	4	4
8	101881701	Washer, Flat, Stainless Steel, #8	4	4
9	101954301	Screw, Hex-Head Cap (with adhesive patch), 1/4-20 x 3/4	8	8
10	1010543	Insert, Wood	8	8
11	1012597	Bumper, Seat (rear seat only)	1	1
12	1012657	Gasket, Seat – Long (rear seat only)	1	1
13	1012656	Gasket, Seat – Short (rear seat only)	2	2
14	1017384	Screw, Washer-Head Tap, #12 (rear seat only)	5	5

1
G
E

1
G
E



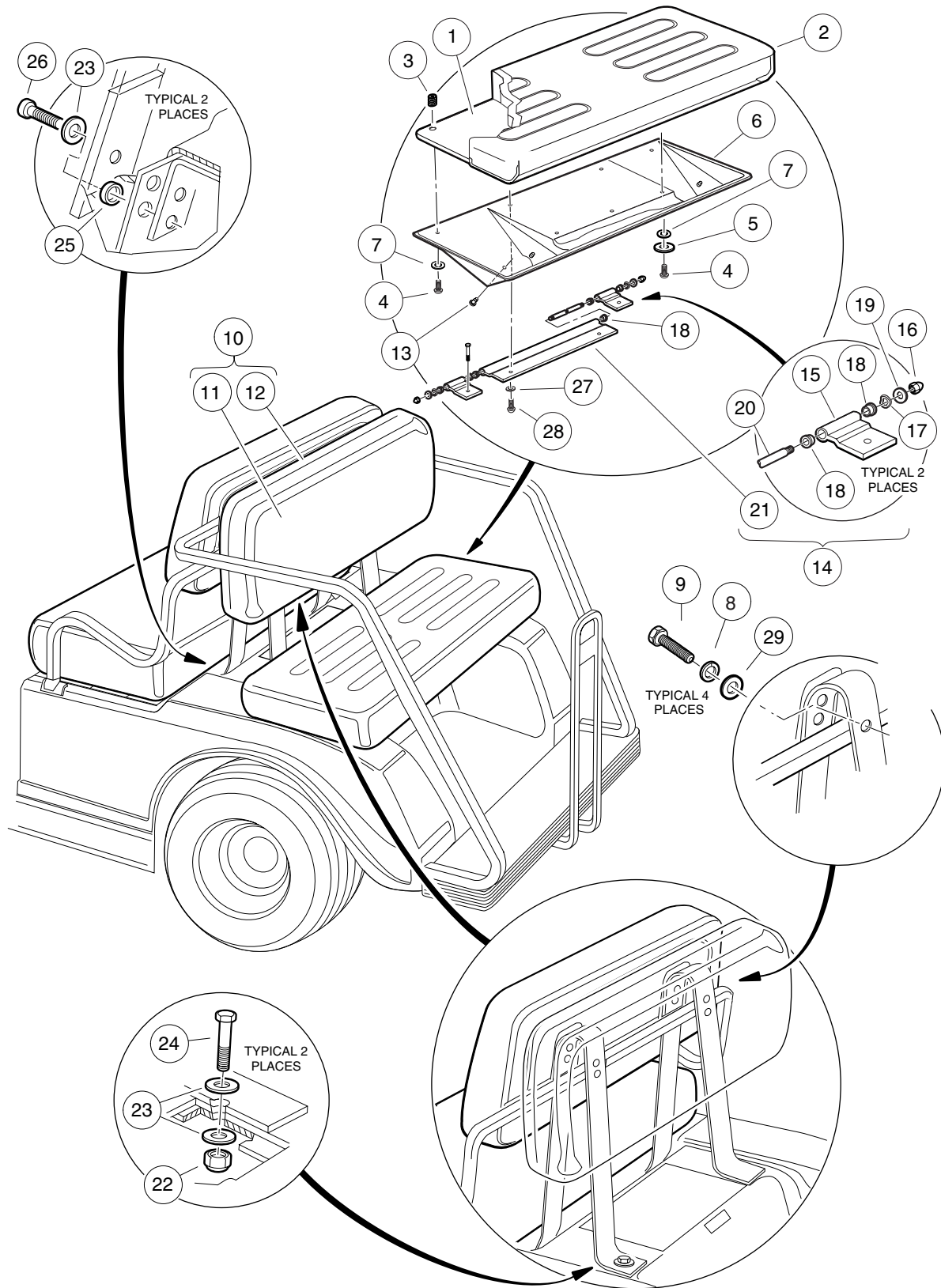
VILLAGER 8 SHOWN
VILLAGER 6 HAS ONLY ONE FRONT SEAT

SEAT BACKS AND ARMRESTS – VILLAGER 6 AND VILLAGER 8

ITEM	PART NO.	DESCRIPTION	QTY GAS	QTY ELEC
		1 2 3 4		
1	101677701	Assembly, Seat Back – White (includes items 2 and 3)	1	1
1	101677702	Assembly, Seat Back – Black (includes items 2 and 3)	1	1
1	101677703	Assembly, Seat Back – Buff (includes items 2 and 3)	1	1
1	101677705	Assembly, Seat Back – Gray (includes items 2 and 3)	1	1
2	101675501	Cover, Vinyl Seat Back – Buff	1	1
2	101675502	Cover, Vinyl Seat Back – White	1	1
2	101675504	Cover, Vinyl Seat Back – Black	1	1
2	101675506	Cover, Vinyl Seat Back – Gray	1	1
3	1016751	Cap, Seat Back – Black	1	1
4	1017259	Weldment, Front Armrest (quantity 2 for Villager 8)	1	1
5	1015902	Screw, Phillips Truss-Head, 1/4-20 x 1-1/4 (quantity 20 for Villager 8)	10	10
6	1014306	Washer, Flat, Type B, 1/4 (quantity 4 for Villager 8)	2	2
7	8233	Nut, Nylon Lock, 1/4-20 (quantity 12 for Villager 8)	6	6
8	1012285	Screw, Thread-Rolling, 1/4-20 x 5/8 (quantity 4 for Villager 8)	2	2
9	332	Washer, Flat, 1/4 (quantity 16 for Villager 8)	10	10
10	1017310	Weldment, Armrest Mounting (quantity 4 for Villager 8)	2	2
11	101946201	Washer, External Tooth Lock, 1/4 (quantity 8 for Villager 8)	4	4
12	101799201	Weldment, Rear Armrest	1	1
13	1218	Screw, Hex-Head Cap, 5/16-18 x 1-1/4	2	2
14	1241	Washer, Flat, 5/16	8	8
15	7473	Nut, Nylon Lock, 5/16-18	2	2
16	451	Washer, Lock, 1/4	4	4
17	101954301	Screw, Hex-Head Cap (with adhesive patch), 1/4-20 x 3/4	4	4
18	101910401	Screw, Thread-Forming, 5/16-18 x 1-1/4	4	4
19	1017774	Spacer, Body	4	4

1
G
E

1
G
E

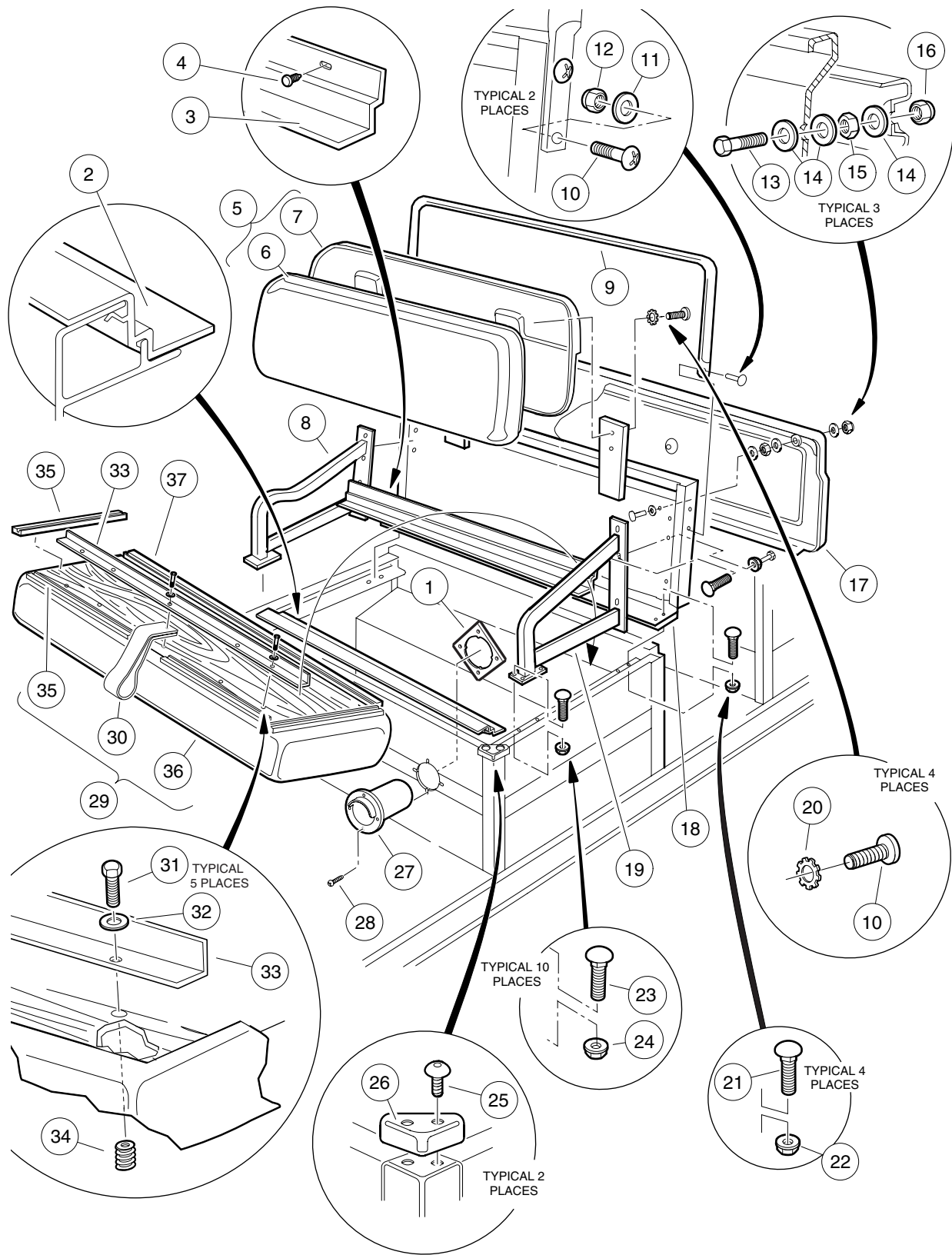


REAR-FACING SEAT AND SUPPORT – VILLAGER 6 AND VILLAGER 8

ITEM	PART NO.	DESCRIPTION	QTY GAS	QTY ELEC
		1 2 3 4		
1	101564804	Assembly, Seat Bottom – Buff (includes items 2 and 3)	1	1
1	101564805	Assembly, Seat Bottom – White (includes items 2 and 3)	1	1
1	101564807	Assembly, Seat Bottom – Gray (includes items 2 and 3)	1	1
1	101564808	Assembly, Seat Bottom – Black (includes items 2 and 3)	1	1
2	101562701	Cover, Vinyl Seat Bottom – Buff	1	1
2	101562702	Cover, Vinyl Seat Bottom – White	1	1
2	101562704	Cover, Vinyl Seat Bottom – Black	1	1
2	101562710	Cover, Vinyl Seat Bottom – Gray	1	1
3	1010543	Insert, Wood	7	7
4	8251	Screw, Phillips Truss-Head, 1/4-20 x 1	5	5
5	1011578	Washer, Flat, 5/16	3	3
6	1011210	Support, Seat	1	1
7	8304	Washer, Internal Tooth Lock, 1/4	5	5
8	451	Washer, Lock, 1/4	4	4
9	304	Screw, Hex-Head Cap, 1/4-20 x 3/4	4	4
10	101677701	Assembly, Seat Back – White	1	1
10	101677702	Assembly, Seat Back – Black	1	1
10	101677703	Assembly, Seat Back – Buff	1	1
10	101677705	Assembly, Seat Back – Gray	1	1
11	101675501	Cover, Vinyl Seat Back – Buff	1	1
11	101675502	Cover, Vinyl Seat Back – White	1	1
11	101675504	Cover, Vinyl Seat Back – Black	1	1
11	101675506	Cover, Vinyl Seat Back – Gray	1	1
12	1016751	Cap, Seat Back	1	1
13	1011389	Bumper, Rubber (package of 5)	1	1
14	1011219	Assembly, Hinge (includes items 15 - 21)	1	1
15	1011221	Hinge, Short	2	2
16	1015091	Nut, Centerlock Cap, 1/4-20 x 1/4	2	2
17	1010695	Washer, Curved Spring, 1/4	2	2
18	8028	Bushing, Nylon	6	6
19	332	Washer, Flat, 1/4	2	2
20	1011222	Pin, Hinge, Long	1	1
21	1011220	Hinge, Long	1	1
22	7473	Nut, Nylon Lock, 5/16-18	2	2
23	1241	Washer, Flat, 5/16	6	6
24	1218	Screw, Hex-Head Cap, 5/16-18 x 1-1/4	2	2
25	1017774	Spacer, Body	4	4
26	101910401	Screw, Thread-Forming, 5/16-18 x 1-1/4	4	4
27	1014007	Washer, Lock, 1/4	2	2
28	1016916	Screw, Hex-Head Cap with Nylon Patch, 1/4-20 x 1-1/2	2	2
29	332	Washer, Flat, 1/4	4	4

1
G
E

1
G
E

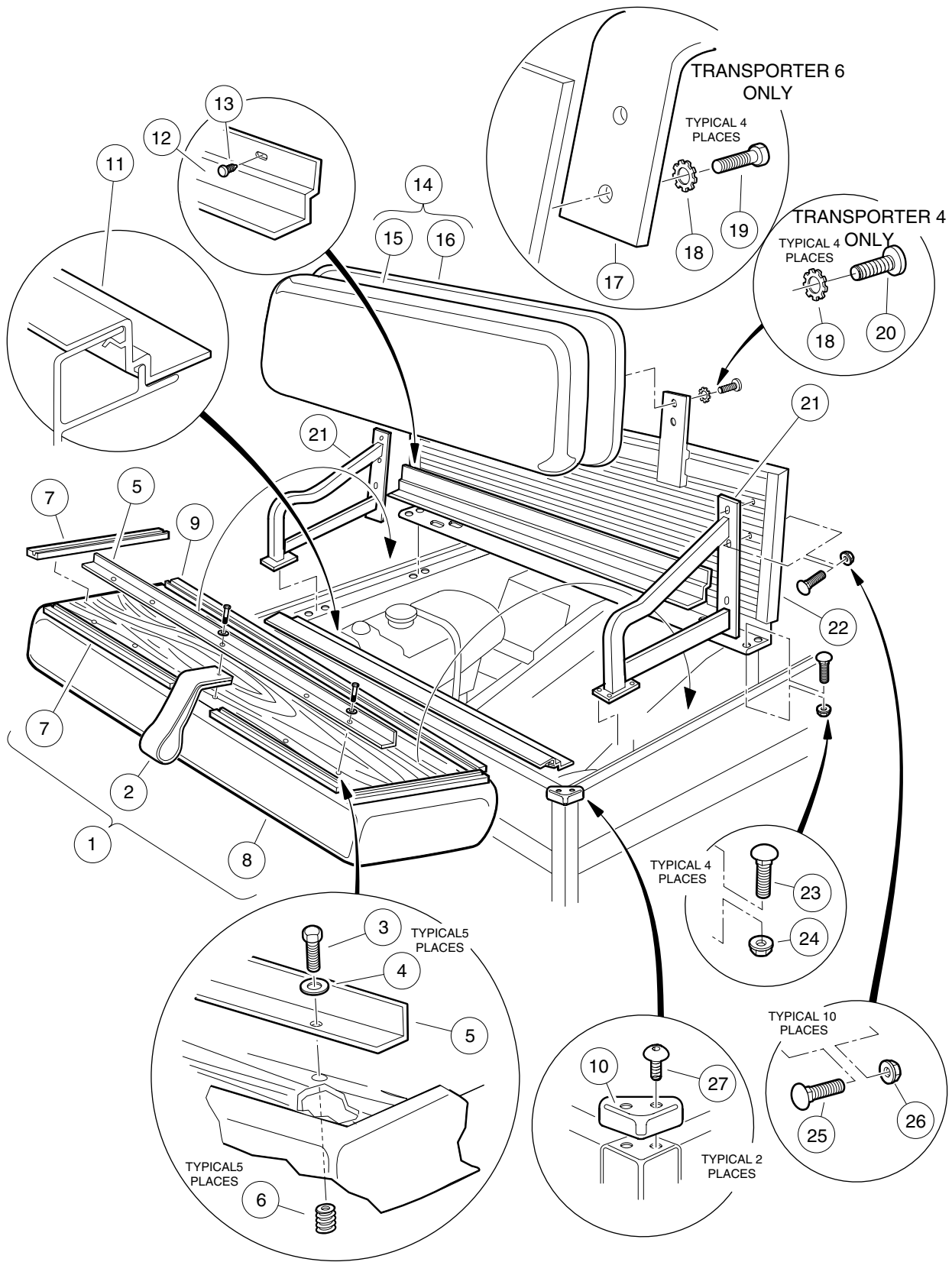


FIRST SEAT AND SUPPORT STRUCTURE – TRANSPORTER 4 AND TRANSPORTER 6

ITEM	PART NO.	DESCRIPTION	QTY GAS	QTY ELEC
		1 2 3 4		
1	101801001	Plate, Receptacle Backing (electric vehicle only)		1
2	101964001	Trim, Seat Bottom, Front	1	1
3	101963901	Trim, Seat Bottom, Rear	1	1
4	1010434	Barrel, Plastic	5	5
5	101677701	Assembly, Seat Back – White (includes items 6 and 7)	1	1
5	101677702	Assembly, Seat Back – Black (includes items 6 and 7)	1	1
5	101677705	Assembly, Seat Back – Gray (includes items 6 and 7)	1	1
6	101675502	Cover, Vinyl Seat Back – White	1	1
6	101675504	Cover, Vinyl Seat Back – Black	1	1
6	101675506	Cover, Vinyl Seat Back – Gray	1	1
7	1016751	Cap, Seat Back	1	1
8	101888501	Assembly, Passenger Armrest	1	1
9	1016670	Handrail	1	1
10	8251	Screw, Phillips Truss-Head, 1/4-20 x 1	8	8
11	332	Washer, Flat, 1/4	4	4
12	8233	Nut, Nylon Lock, 1/4-20	4	4
13	1010934	Screw, Hex-Head Cap, 5/16-18 x 1	3	3
14	1241	Washer, Flat, 5/16	9	9
15	1242	Nut, Hex, 5/16-18	3	3
16	7473	Nut, Nylon Lock, 5/16-18	3	3
17	1016970	Cover, Seat Back Support	1	1
18	1016723	Assembly, Seat Support Panel	1	1
19	101888502	Armrest, Driver	1	1
20	101946201	Washer, External Tooth Lock, 1/4	4	4
21	101963301	Bolt, Carriage, 5/16-18 x 3/4	4	4
22	101963401	Nut, Flange, 5/16-18	4	4
23	101958601	Bolt, Carriage, 1/4-20 x 3/4	10	10
24	101835601	Nut, Flange, 1/4-20	10	10
25	1014321	Screw, Torx Truss-Head, #10-24 x 3/8	4	4
26	1014387	Cap, Corner	2	2
27	1016673	Housing, Cord (electric vehicle only)		1
28	8796	Screw, Phillips-Head, #7-19 x 3/4 (electric vehicle only)		4
29	101564502	Assembly, Seat Bottom – White (includes items 30 - 37)	1	1
29	101564503	Assembly, Seat Bottom – Black (includes items 30 - 37)	1	1
29	101564505	Assembly, Seat Bottom – Gray (includes items 30 - 37)	1	1
30	1013309	Strap, Seat Bottom	1	1
31	101954301	Screw, Hex-Head Cap (with adhesive patch), 1/4-20 x 3/4	5	5
32	332	Washer, Flat, 1/4	5	5
33	101894303	Stiffener, Seat	1	1
34	1010543	Insert, Wood	5	5
35	1013311	Bumper, Seat, Short	4	4
36	101562702	Cover, Vinyl Seat Bottom – White	1	1
36	101562704	Cover, Vinyl Seat Bottom – Black	1	1
36	101562710	Cover, Vinyl Seat Bottom – Gray	1	1
37	1013312	Bumper, Seat, Long	1	1

1
G
E

1
G
E

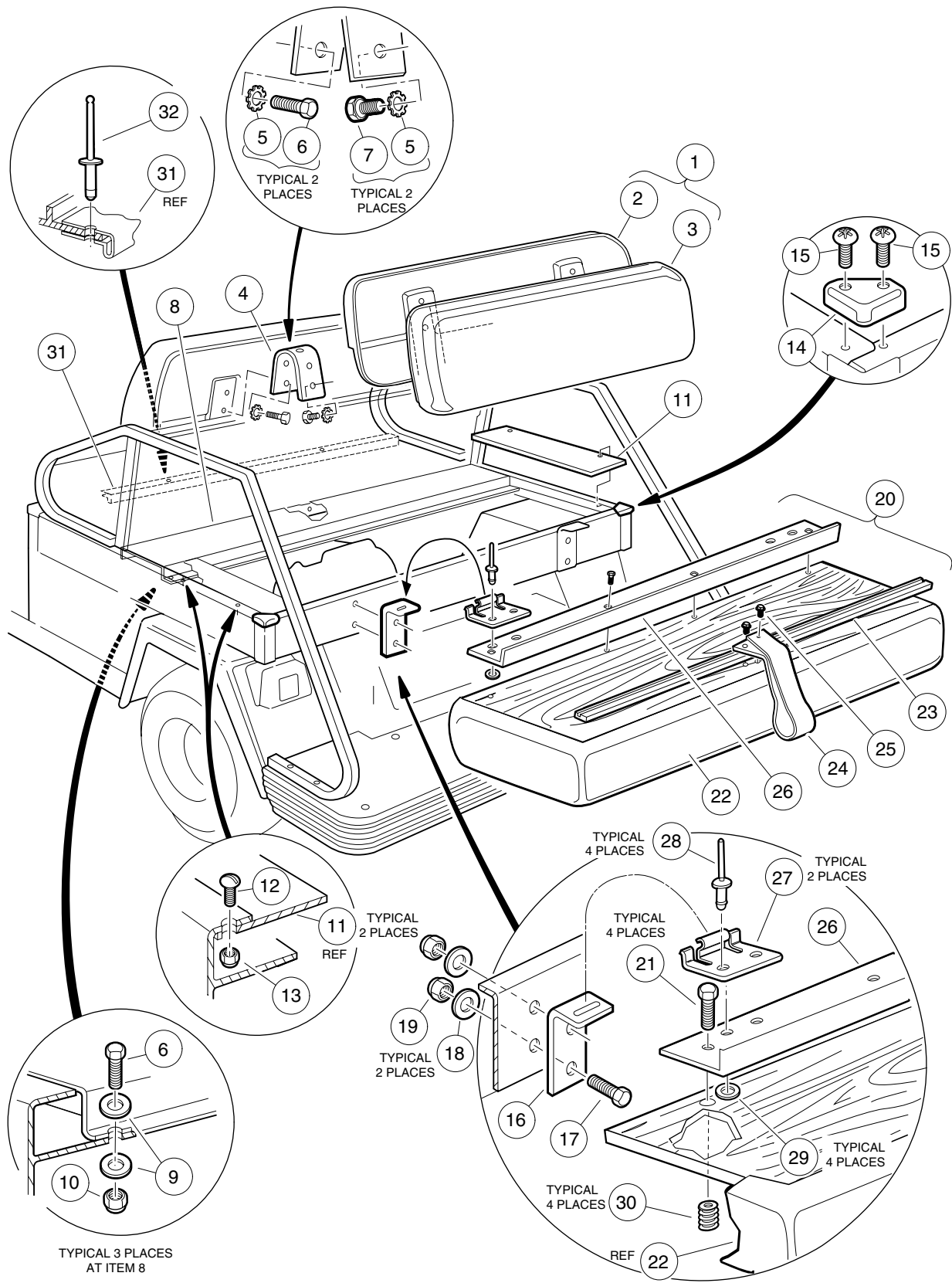


SECOND SEAT AND SUPPORT STRUCTURE – TRANSPORTER 4 AND TRANSPORTER 6

ITEM	PART NO.	DESCRIPTION	QTY GAS	QTY ELEC
		1 2 3 4		
1	101564502	Assembly, Seat Bottom – White (includes items 2 - 9)	1	1
1	101564503	Assembly, Seat Bottom – Black (includes items 2 - 9)	1	1
1	101564505	Assembly, Seat Bottom – Gray (includes items 2 - 9)	1	1
2	1013309	Strap, Seat Bottom	1	1
3	101954301	Screw, Hex-Head Cap (with adhesive patch), 1/4-20 x 3/4	5	5
4	332	Washer, Flat, 1/4	5	5
5	101894303	Stiffener, Seat	1	1
6	1010543	Insert, Wood	5	5
7	1013311	Bumper, Seat – Short	4	4
8	101562702	Cover, Vinyl Seat Bottom – White	1	1
8	101562704	Cover, Vinyl Seat Bottom – Black	1	1
8	101562710	Cover, Vinyl Seat Bottom – Gray	1	1
9	1013312	Bumper, Seat, Long	1	1
10	1014387	Cap, Corner	2	2
11	101964001	Trim, Seat Bottom, Front	1	1
12	101963901	Trim, Seat Bottom, Rear	1	1
13	1010434	Barrel, Plastic.....	5	5
14	101677701	Assembly, Seat Back – White (includes items 15 and 16)	1	1
14	101677702	Assembly, Seat Back – Black (includes items 15 and 16)	1	1
14	101677705	Assembly, Seat Back – Gray (includes items 15 and 16)	1	1
15	101675502	Cover, Vinyl Seat Back – White	1	1
15	101675504	Cover, Vinyl Seat Back – Black	1	1
15	101675506	Cover, Vinyl Seat Back – Gray	1	1
16	1016751	Cap, Seat Back	1	1
17	1016839	Mount, Seat Back Bracket (TransPorter 6 only)	2	2
18	101946201	Washer, External Tooth Lock, 1/4	4	4
19	7479	Screw, Hex-Head Cap, 1/4-20 x 1-1/4 (TransPorter 6 only)	4	4
20	8251	Screw, Phillips Truss-Head, 1/4-20 x 1 (TransPorter 4 only)	4	4
21	101888501	Assembly, Armrest, Passenger (TransPorter 4 only)	2	2
22	1016723	Assembly, Seat Support Panel	1	1
23	101963301	Bolt, Carriage, 5/16-18 x 3/4	4	4
24	101963401	Nut, Flange, 5/16-18	4	4
25	101958601	Bolt, Carriage, 1/4-20 x 3/4 (TransPorter 4 only)	10	10
26	101835601	Nut, Flange, 1/4-20 (TransPorter 4 only)	10	10
27	1014321	Screw, Torx Truss-Head, #10-24 x 3/8	4	4

1
G
E

1
G
E

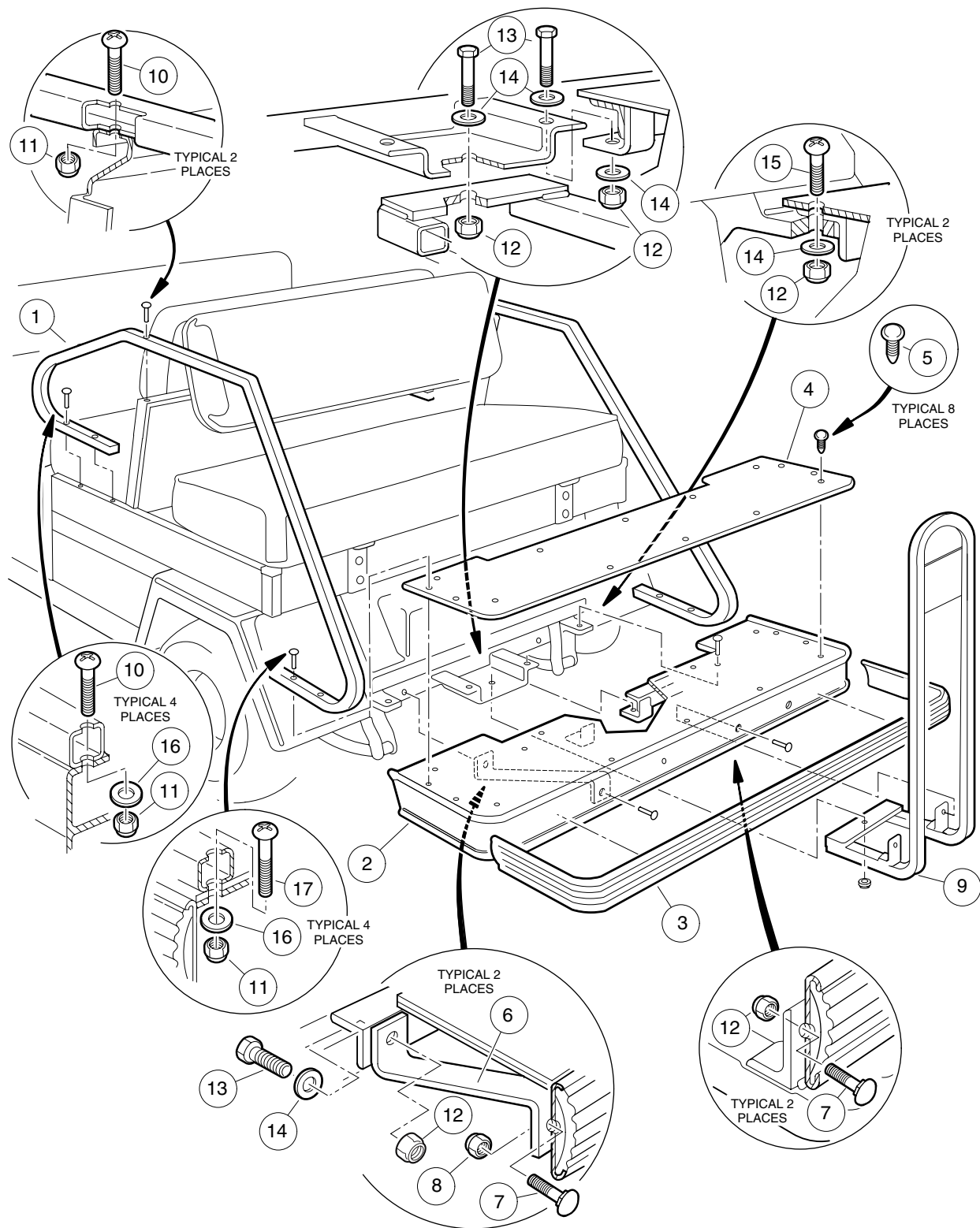


THIRD SEAT AND COMPONENTS – TRANSPORTER 6

ITEM	PART NO.	DESCRIPTION	QTY GAS	QTY ELEC
		1 2 3 4		
1	101677701	Assembly, Seat Back – White (includes items 2 and 3)	1	1
1	101677702	Assembly, Seat Back – Black (includes items 2 and 3)	1	1
1	101677705	Assembly, Seat Back – Gray (includes items 2 and 3)	1	1
2	1016751	Cap, Seat Back	1	1
3	101675502	Cover, Vinyl Seat Back – White	1	1
3	101675504	Cover, Vinyl Seat Back – Black	1	1
3	101675505	Cover, Vinyl Seat Back – Gray	1	1
4	1016839	Bracket, Seat Back Mounting	2	2
5	101946201	Washer, External Tooth Lock, 1/4	8	8
6	7847	Screw, Hex-Head Cap, 1/4-20 x 3/4	7	7
7	7479	Screw, Hex-Head Cap, 1/4-20 x 1-1/4	4	4
8	1016816	Support, Rear Seat	1	1
9	332	Washer, Flat, 1/4	6	6
10	8233	Nut, Nylon Lock, 1/4-20	3	3
11	1016930	Panel, Rear Seat Frame	2	2
12	1013169	Screw, Round-Head Slotted Machine, #10-32 x 1/2	4	4
13	1013061	Nut, Nylon Lock, #10-32	4	4
14	1014387	Cap, Corner	2	2
15	1014321	Screw, Torx Truss-Head, #10-24 x 3/8	4	4
16	1016819	Hinge, Seat	2	2
17	8861	Screw, Hex-Head Cap, 3/8-16 x 1-3/4	4	4
18	1011990	Washer, Flat, 3/8	4	4
19	8754	Nut, Nylon Lock, 3/8-16	4	4
20	101684102	Assembly, Seat Bottom, White (includes items 21 - 30)	1	1
20	101684103	Assembly, Seat Bottom, Black (includes items 21 - 30)	1	1
20	101684105	Assembly, Seat Bottom, Gray (includes items 21 - 30)	1	1
21	101954301	Screw, Hex-Head Cap (with adhesive patch), 1/4-20 x 3/4	4	4
22	101562702	Cover, Vinyl Seat Bottom – White	1	1
22	101562704	Cover, Vinyl Seat Bottom – Black	1	1
22	101562710	Cover, Vinyl Seat Bottom – Gray	1	1
23	1013312	Bumper, Long Seat	1	1
24	1013309	Strap, Seat Bottom	1	1
25	1010545	Screw, Hex-Washer-Head, 1/4-14 x 3/4	2	2
26	1016824	Angle, Seat Hinge	1	1
27	1011652	Plate, Seat Hinge	2	2
28	101880901	Rivet, Pop, Stainless Steel, 3/16	4	4
29	101881701	Washer, Flat, Stainless Steel, #8	4	4
30	1010543	Insert, Wood	4	4
31	101837001	Insulator, Battery (electric vehicle only)		1
32	1013357	Rivet, Pop (electric vehicle only)		2

1
G
E

1
G
E

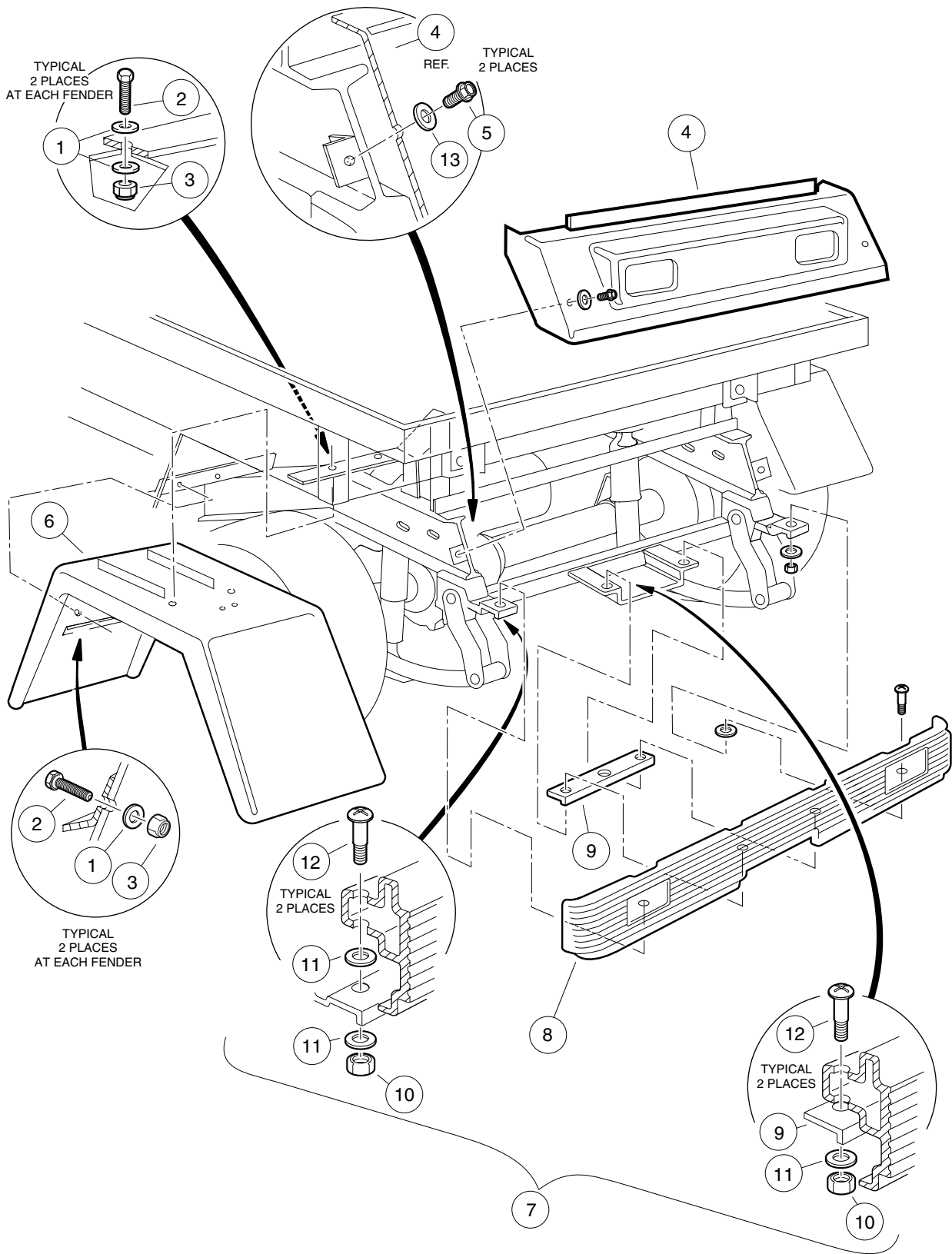


REAR FOOTREST AND HANDRAILS – TRANSPORTER 6

ITEM	PART NO.	DESCRIPTION	QTY GAS	QTY ELEC
		1 2 3 4		
1	101846301	Armrest, Rear Seat	2	2
2	1016843	Assembly, Rear Footrest (includes items 3 - 8)	1	1
3	101347505	Guard, Bumper	1	1
4	1016838	Mat, Footrest	1	1
5	1010434	Fastener, Plastic Barrel	8	8
6	1016668	Bar, Connecting	2	2
7	1010435	Bolt, Carriage, 5/16-18 x 1	4	4
8	7473	Nut, Nylon Lock, 5/16-18	2	2
9	1016842	Handrail, Rear Seat	1	1
10	8418	Screw, Phillips Truss-Head, 1/4-20 x 1-1/2	6	6
11	8233	Nut, Nylon Lock, 1/4-20	10	10
12	7473	Nut, Nylon Lock, 5/16-18	8	8
13	1218	Screw, Hex-Head Cap, 5/16-18 x 1-1/4	7	7
14	1241	Washer, Flat, 5/16	9	9
15	7410	Screw, Phillips Truss-Head, 5/16-18 x 1-1/4	2	2
16	332	Washer, Flat, 1/4	8	8
17	1011988	Screw, Phillips Truss-Head, 1/4-20 x 2	4	4

1
G
E

1
G
E

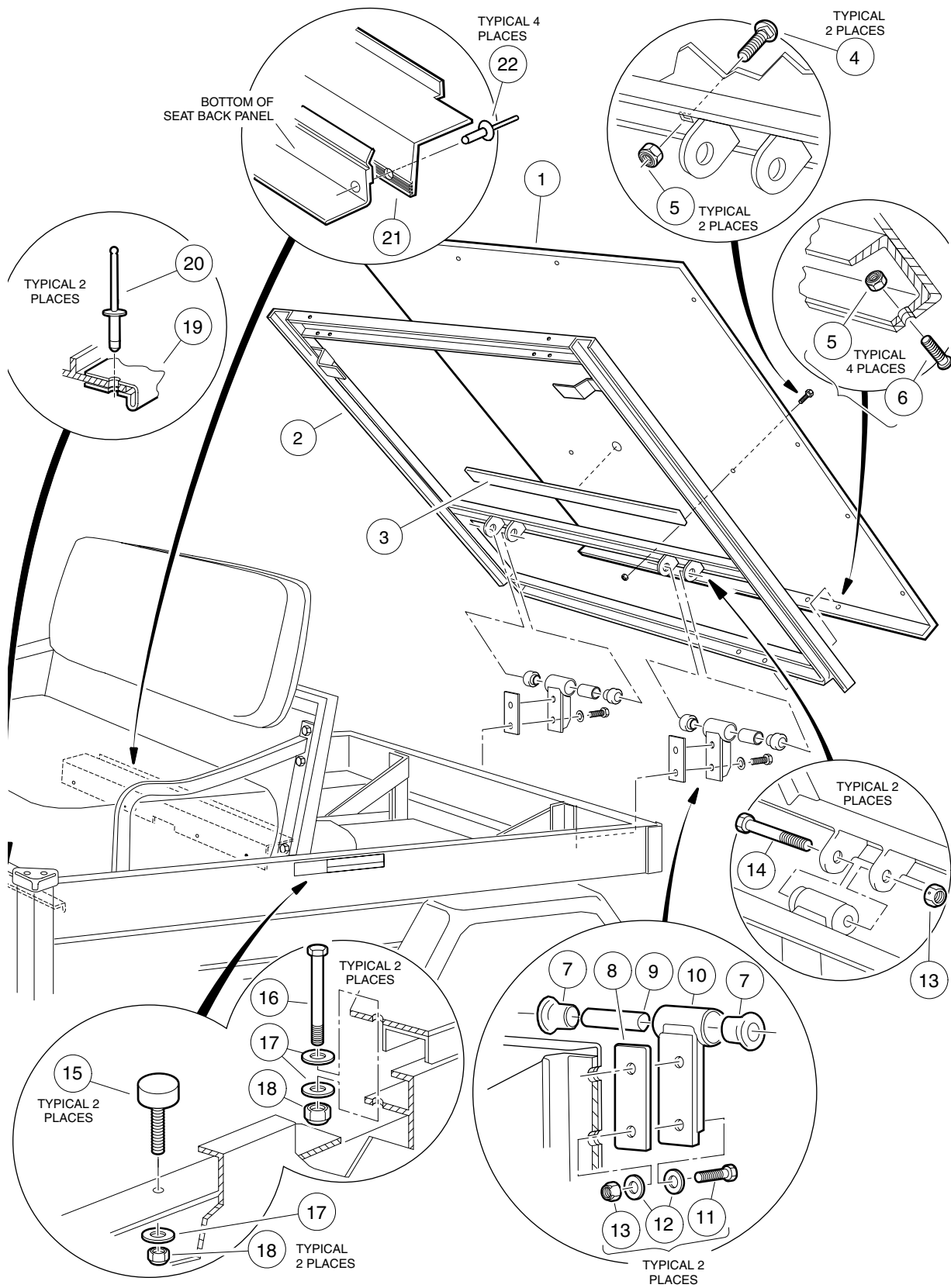


REAR BODY TRIM – TRANSPORTER 4 AND TRANSPORTER 6

ITEM	PART NO.	DESCRIPTION	QTY GAS	QTY ELEC
		1 2 3 4		
1	1014306	Washer, Flat, 1/4	12	12
2	304	Screw, Hex-Head Cap, 1/4-20 x 1	8	8
3	8233	Nut, Nylon Lock, 1/4-20	8	8
4	1015530	Tailskirt	1	1
5	1012285	Screw, Thread-Rolling, 1/4-20 x 5/8	2	2
6	1016679	Fender, Rear	2	2
7	1017079	Kit, Rear Bumper (includes items 8 - 12) (TransPorter 4 only)	1	1
8	1016379	Bumper, Rear	1	1
9	1016875	Plate, Mounting, Long	1	1
10	7473	Nut, Nylon Lock, 5/16-18	4	4
11	1011697	Washer, Flat, 5/16	6	6
12	1016876	Bolt, Phillips Truss-Head Shoulder, 3/8-18 x 2	4	4
13	332	Washer, Flat, 1/4	2	2

1
G
E

1
G
E

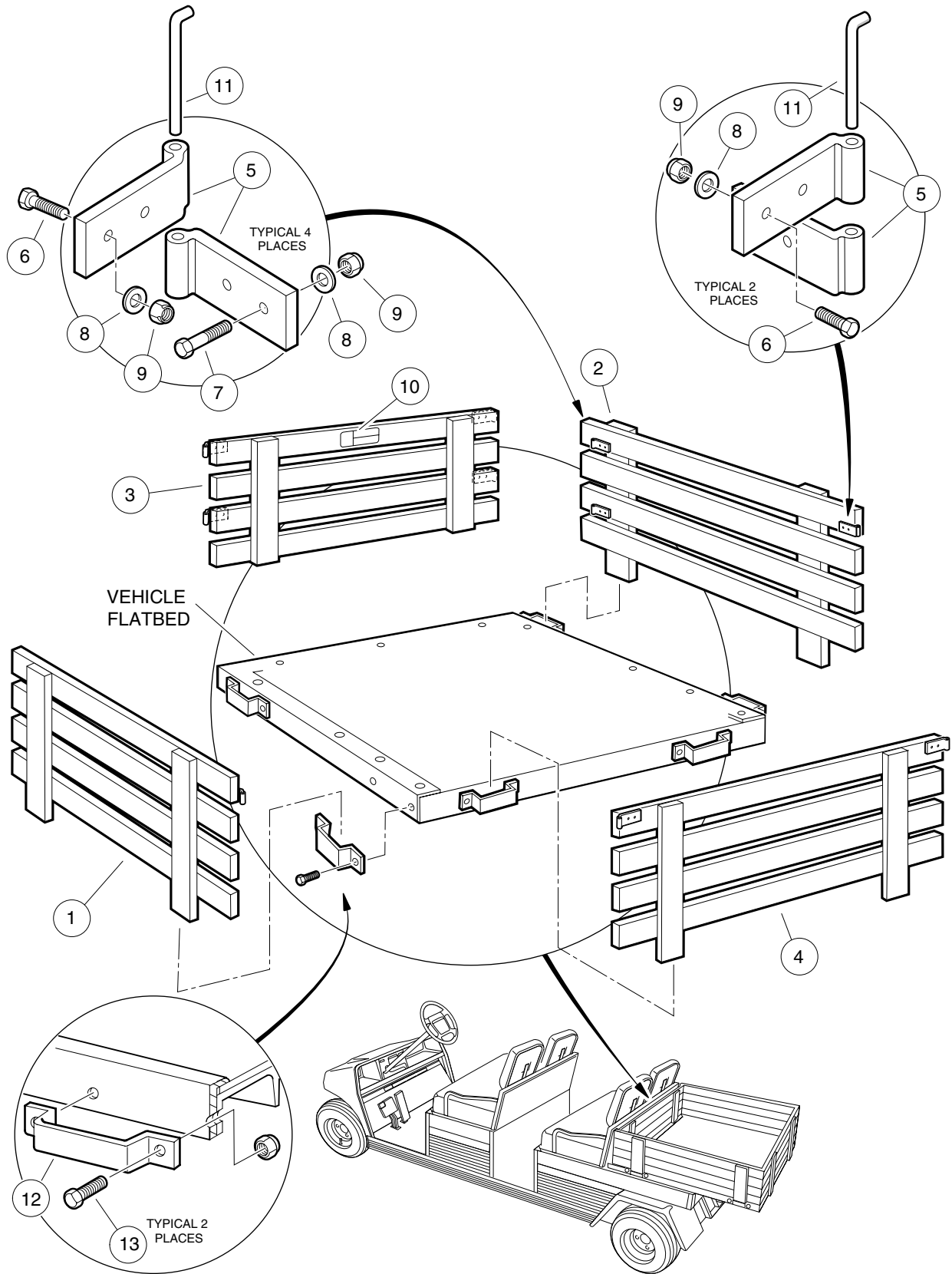


REAR CARGO BED – TRANSPORTER 4

ITEM	PART NO.	DESCRIPTION	QTY GAS	QTY ELEC
		1 2 3 4		
1	1016724	Assembly, Tilt Bed (includes items 2 - 6)	1	1
2	N/A	Weldment, Tilt Bed	1	1
3	1014471	Insulation	A/R	A/R
4	1010435	Bolt, Carriage, 5/16-18 x 1	2	2
5	7473	Nut, Nylon Lock, 5/16-18	6	6
6	1015399	Screw, Torx Truss-Head, 5/16-18 x 3/4	4	4
7	1015583	Bushing, Urethane	4	4
8	1015507	Shim, Tilt Bed Pivot.....	A/R	A/R
9	1012303	Bushing, Steel	2	2
10	1015356	Weldment, Tilt Bed Hinge	2	2
11	705	Screw, Hex-Head Cap, 3/8-16 x 1-1/4	4	4
12	1011990	Washer, Flat, 3/8	8	8
13	8754	Nut, Nylon Lock, 3/8-16	6	6
14	8755	Screw, Hex-Head Cap, 3/8-16 x 3-3/8	2	2
15	1010878	Bumper, Rubber	2	2
16	1013872	Screw, Hex-Head Cap, 1/4-20 x 4	2	2
17	332	Washer, Flat, 1/4	6	6
18	8233	Nut, Nylon Lock, 1/4-20	4	4
19	101837001	Insulator, Battery (electric vehicle only)		1
20	1013357	Rivet, Aluminum Pop, 5/32 (electric vehicle only)		2
21	1017976	Seal, Bed	1	1
22	7532	Rivet, Pop, 3/16	4	4

1
G
E

1
G
E



STAKE SIDE – TRANSPORTER 4

ITEM	PART NO.	DESCRIPTION	QTY GAS	QTY ELEC
		1 2 3 4		
	1015660	Kit, Stake Side (includes items 1 - 13)	1	1
1	N/A	Stake Side Assembly, Driver-Side (includes items 5 - 9)	1	1
2	N/A	Stake Side Assembly, Passenger-Side (includes items 5 - 9)	1	1
3	N/A	Stake Side Assembly, Front (includes items 5 - 9)	1	1
4	N/A	Stake Side Assembly, Rear (includes items 5 - 10)	1	1
5	1015654	Hinge, Stake Side	12	12
6	7479	Screw, Hex-Head Cap, 1/4-20 x 1-1/4	18	18
7	7311	Screw, Hex-Head Cap, 1/4-20 x 2	6	6
8	332	Washer, Flat, 1/4	24	24
9	1108	Nut, Dimped Lock, 1/4-20	24	24
10	1015539	Decal, Bed Load	1	1
11	1015656	Pin, Stake Side Hinge	6	6
12	1016077	Bracket, Stake Side	5	5
13	1010934	Screw, Hex-Head Cap, 5/16-18 x 1	10	10

1
G
E

1

G

E

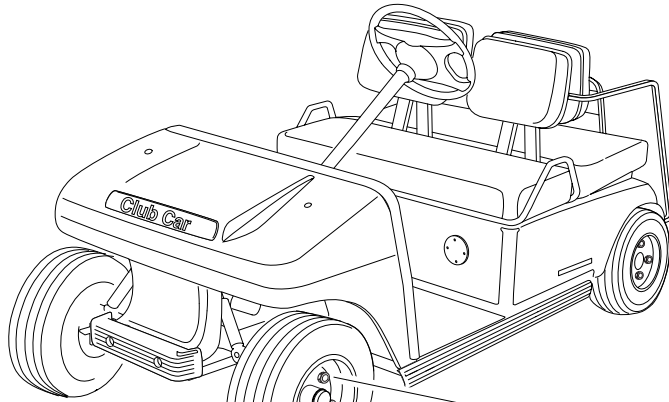
WHEELS AND TIRES

2

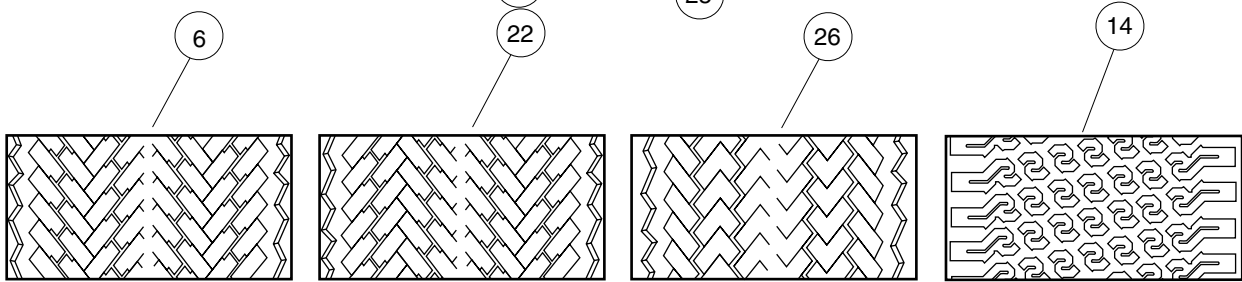
G

E

2
G
E



- 1
- 2
- 3
- 4
- 5
- 6
- 7
- 8
- 9
- 10
- 11
- 12
- 13
- 14
- 15
- 16
- 17
- 18
- 19
- 20
- 21
- 22
- 23
- 24
- 25
- 26



PREMIUM TREAD
Carisle®

PREMIUM TREAD
Duro®

PREMIUM TREAD
Kenda®

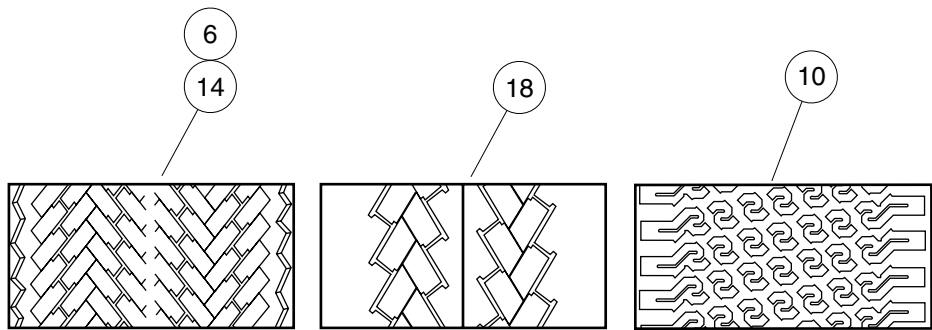
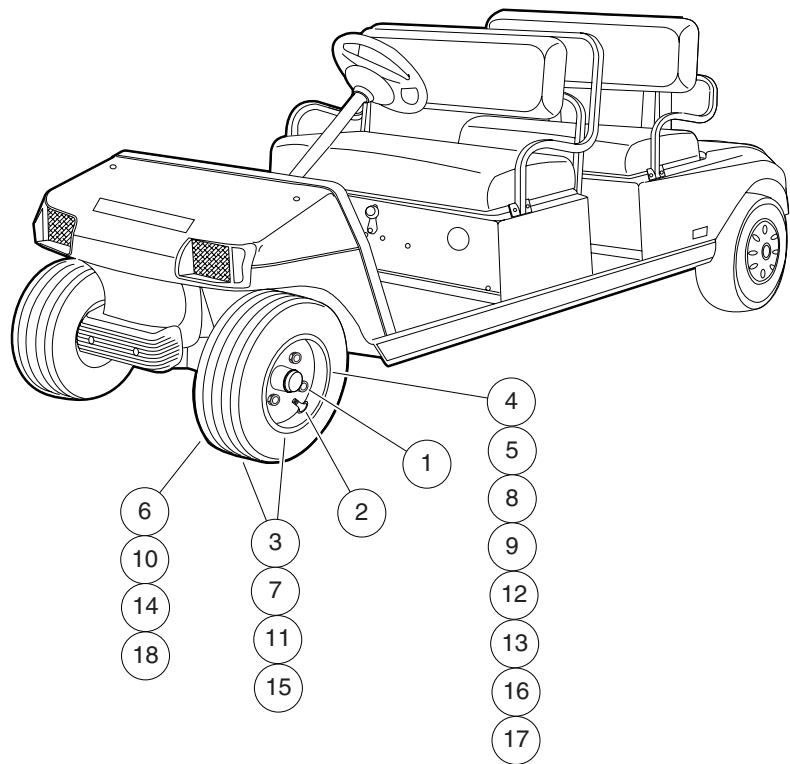
EXTRA TRACTION
Duro

WHEELS AND TIRES – VILLAGER 4

ITEM	PART NO.	DESCRIPTION	QTY GAS	QTY ELEC
		1 2 3 4		
1	1010984	Nut, Lug	16	16
2	7310	Stem, Valve*	4	4
3	101570502	Assembly, Beige Wheel and Premium Tire (includes items 4 and 6)	4	4
3	101651402	Assembly, White Wheel and Premium Tire (includes items 5 and 6)	4	4
4	1015707	Wheel Rim – Beige	1	1
5	1014771	Wheel Rim – White	1	1
6	101567202	Tire, Unmounted, Premium Tread, 4-Ply Rated (18 x 8.50 - 8) (Carlisle®)	1	
7	101570506	Assembly, Beige Wheel and Premium Tire (includes items 8 and 10)	4	
7	101651406	Assembly, White Wheel and Premium Tire (includes items 9 and 10)	4	
8	1015707	Wheel Rim – Beige	1	
9	1014771	Wheel Rim – White	1	
10	101737002	Tire, Unmounted, Premium Tread, 6-Ply Rated (18.5 x 8.50 - 8) (Duro®)	1	
11	101570507	Assembly, Beige Wheel and Extra Traction Tire (includes items 12 and 14)	4	
11	101651407	Assembly, White Wheel and Extra Traction Tire (includes items 13 and 14)	4	
12	1015707	Wheel Rim – Beige	1	
13	1014771	Wheel Rim – White	1	
14	101769302	Tire, Unmounted, Extra Traction Tread, 6-Ply Rated (18.5 x 8.50 - 8) (Duro)	1	
15	101570509	Assembly, Beige Wheel and Premium Tire (includes items 16 and 18)	4	
15	101651409	Assembly, White Wheel and Premium Tire (includes items 17 and 18)	4	
16	101918401	Wheel Rim – Beige	1	
17	101918402	Wheel Rim – White	1	
18	101884901	Tire, Unmounted, Premium Tread, 6-Ply Rated (18.5 x 6.50 - 8) (Duro)	1	
19	101570512	Assembly, Beige Wheel and Premium Tire (includes items 20 and 22)	4	4
19	101651412	Assembly, White Wheel and Premium Tire (includes items 21 and 22)	4	4
20	1015707	Wheel Rim – Beige	1	1
21	1014771	Wheel Rim – White	1	1
22	****	Tire, Unmounted, Premium Tread, 4-Ply Rated (18 x 8.50 - 8) (Duro)	1	1
23	101570513	Assembly, Beige Wheel and Premium Tire (includes items 24 and 26)	4	4
23	101651413	Assembly, White Wheel and Premium Tire (includes items 25 and 26)	4	4
24	1015707	Wheel Rim – Beige	1	1
25	1014771	Wheel Rim – White	1	1
26	AM10682	Tire, Unmounted, Premium Tread, 4-Ply Rated (18 x 8.50 - 8) (Kenda®)	1	1
	****	Special order item available upon request. * Item 2 is part of all wheel assemblies.		

2
G
E

2
G
E



PREMIUM TREAD
Duro®

HF 232
Duro

EXTRA TRACTION
Duro

WHEELS AND TIRES – VILLAGER 6, VILLAGER 8, TRANSPORTER 4, AND TRANSPORTER 6

ITEM	PART NO.	DESCRIPTION	QTY GAS	QTY ELEC
		1 2 3 4		
1	1010984	Nut, Lug	16	16
2	7310	Stem, Valve*	4	4
3	101570506	Assembly, Beige Wheel and Premium Tire (includes items 4 and 6)	4	4
3	101651406	Assembly, White Wheel and Premium Tire (includes items 5 and 6)	4	4
4	1015707	Wheel Rim – Beige	1	1
5	1014771	Wheel Rim – White	1	1
6	101737002	Tire, Unmounted, Premium Tread, 6-Ply Rated (18 x 8.50 - 8) (Duro) ...	1	1
7	101570507	Assembly, Beige Wheel and Extra Traction Tire (includes items 8 and 10)	4	4
7	101651407	Assembly, White Wheel and Extra Traction Tire (includes items 9 and 10)	4	4
8	1015707	Wheel Rim – Beige	1	1
9	1014771	Wheel Rim – White	1	1
10	101769302	Tire, Unmounted, Extra Traction, 6-Ply Rated (18 x 8.50 - 8) (Duro)	1	1
11	101570509	Assembly, Beige Wheel and Premium Tire (Villager vehicles – front only) (includes items 12 and 14)	4	4
11	101651409	Assembly, White Wheel and Premium Tire (Villager vehicles – front only) (includes items 13 and 14)	4	4
12	101918401	Wheel Rim – Beige	1	1
13	101918402	Wheel Rim – White	1	1
14	101884901	Tire, Unmounted, Premium Tread, 6-Ply Rated (18 x 6.50 - 8) (Duro) ...	1	1
15	101570514	Assembly, Beige Wheel and Tire, HF232 (includes items 16 and 18)	4	4
15	101651414	Assembly, White Wheel and Tire, HF232 (includes items 17 and 18)	4	4
16	1015707	Wheel Rim – Beige	1	1
17	1014771	Wheel Rim – White	1	1
18	****	Tire, Unmounted, HF232, 6-Ply Rated (18.5 x 8.5 - 8) (Duro)	1	1
	****	Special order item available upon request. * Item 2 is part of all wheel assemblies.		

2
G
E

2

G

E

DECALS

3

G

E

OPERATING INSTRUCTIONS

- Read Owner's Manual and safety warnings located on dash panel prior to driving.
 - Study and understand controls.
 - Make sure wheels are turned in desired direction.
- Turn key to "ON" position and be sure nothing is in your path.
 - While vehicle is stopped, select direction by placing shift lever or switch in desired position:
F – Forward N – Neutral R – Reverse (Buzzer will sound)
- Vehicle will start moving when accelerator pedal is depressed.
- Slowly depress accelerator pedal to increase speed. Park brake will release when accelerator pedal is depressed.
- To stop, release accelerator pedal and depress brake pedal.
- After stopping the vehicle:
 - Firmly depress park brake until it locks.
 - Place Forward/Reverse switch in "NEUTRAL" position.
 - Turn key "OFF" and remove key when not in use.

CCI 101621601

⚠ WARNING

ROLLOVER OR FALLING OFF MAY CAUSE DEATH.

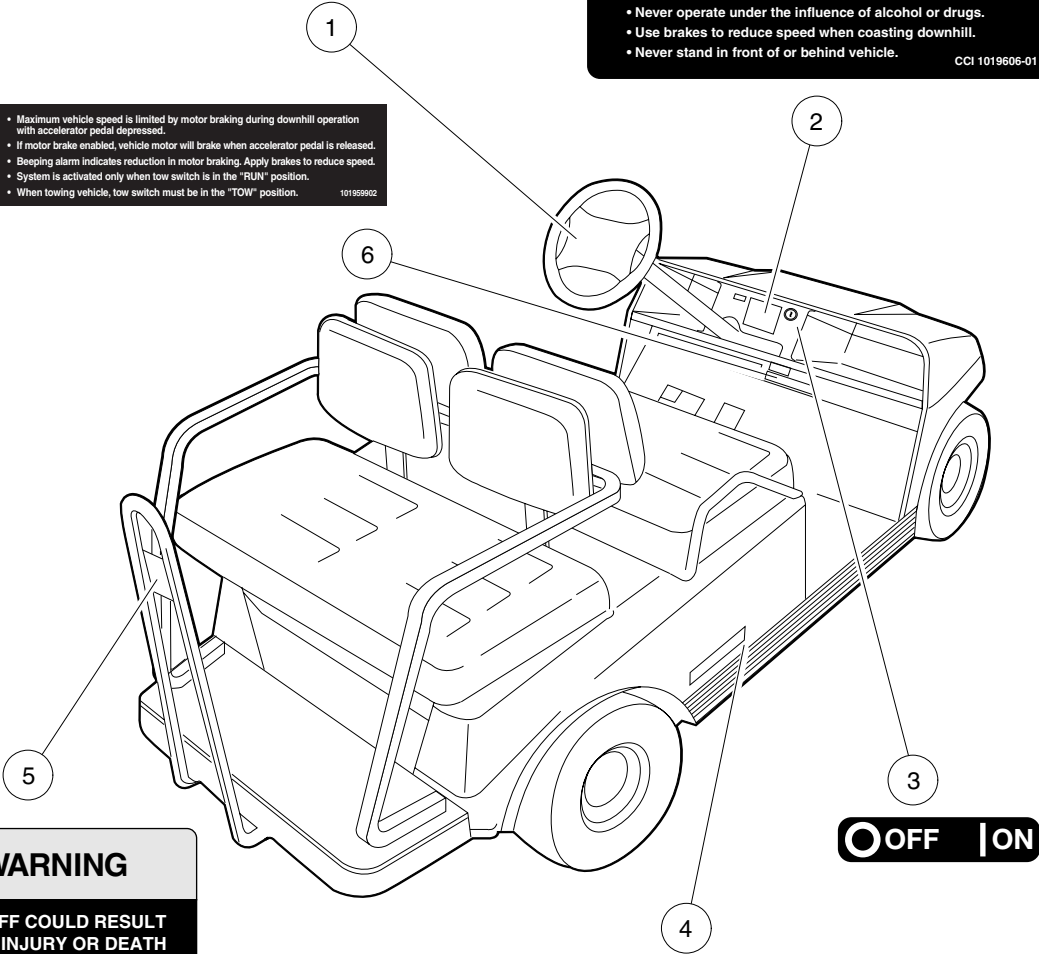
- Before using vehicle, read operating instructions.
- Remain seated and hold on to seat handle while moving.
- Do not start vehicle until all occupants are seated.
- Two (2) persons per seat maximum.
- Operate from driver side only and not on public roads.
- Keep entire body inside vehicle while moving.
- Drive slowly in turns and straight up and down slopes.
- Do not leave children unattended on vehicle.
- Never operate under the influence of alcohol or drugs.
- Use brakes to reduce speed when coasting downhill.
- Never stand in front of or behind vehicle.

CCI 1019606-01

IMPORTANT NOTICE

- Maximum vehicle speed is limited by motor braking during downhill operation with accelerator pedal depressed.
- If motor brake enabled, vehicle motor will brake when accelerator pedal is released.
- Bleeping alarm indicates reduction in motor braking. Apply brakes to reduce speed.
- System is activated only when tow switch is in the "RUN" position.
- When towing vehicle, tow switch must be in the "TOW" position.

101959902



⚠ WARNING

FALLING OFF COULD RESULT IN SEVERE INJURY OR DEATH

- Remain seated with entire body inside vehicle and hold on to seat handle or handrail at all times.
- Two (2) persons per bench seat maximum.
- One (1) person per bucket seat maximum.
- Do not leave children unattended on vehicle at anytime.
- Never stand in front of or behind vehicle.

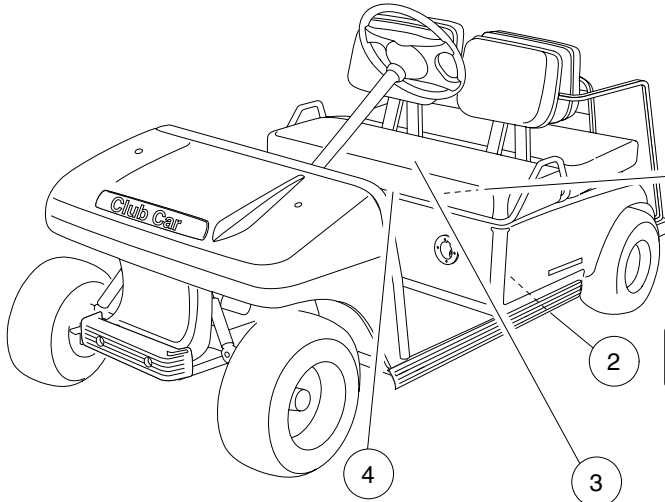
CCI 101705701

INGERSOLL-RAND

DECALS – VILLAGER 4

ITEM	PART NO.	DESCRIPTION	QTY GAS	QTY ELEC
		1 2 3 4		
1	101621601	Decal, Operating Instructions	1	1
2	101960601	Decal, Driver/Passenger Warning	1	1
3	101825101	Decal, Key Switch	1	1
4	101921901	Decal, Ingersoll-Rand (for 2001 vehicles only)	2	2
5	101705701	Decal, Passenger Warning	1	1
6	101959902	Decal, Motor Braking (IQ System vehicle only)		1

3
G
E



⚠ DANGER / POISON

EXPLOSIVE GASES CAN CAUSE BLINDNESS OR INJURY	SHIELD EYES	NO SPARKS, FLAMES, SMOKING	SULFURIC ACID CAN CAUSE BLINDNESS OR SEVERE BURNS	FLUSH EYES IMMEDIATELY WITH WATER. GET MEDICAL HELP FAST.
---	-------------	----------------------------	---	---

KEEP OUT OF THE REACH OF CHILDREN - DO NOT TIP - KEEP VENT CAPS TIGHT AND LEVEL

(MOLDED ON BATTERY CAPS)

ELECTRIC VEHICLE

NOTICE

- DO NOT OPERATE VEHICLE WITHOUT COVER IN PLACE.
- DO NOT DIRECT WATER STREAM AT THIS SWITCH.

CCI 1016109-01

(ON WIPER SWITCH COVER INSIDE BATTERY COMPARTMENT)

⚠ WARNING TOW RUN

Place Tow/Run switch in TOW position before:

- Disconnecting or connecting batteries
- Towing
- Extended storage
- Servicing

FAILURE TO HEED THIS WARNING COULD RESULT IN A BATTERY EXPLOSION OR SEVERE PERSONAL INJURY.

CCI 101908601

(ON TOW SWITCH BRACKET UNDER SEAT)

NOTICE

Do not operate vehicle without this cover properly installed. Do not direct water stream in this area; will cause damage to components. See vehicle maintenance and service manual before servicing.

CCI 101931501

(ON SPEED CONTROLLER COVER)

⚠ WARNING

- GASOLINE EXPLOSION / FIRE.
- CAN CAUSE SEVERE INJURY OR DEATH.
- NO SMOKING, SPARKS, OR OPEN FLAME.
- STOP ENGINE, ALLOW TO COOL BEFORE REFUELING.
- TURN FUEL VALVE () ON DURING OPERATION. () OFF DURING STORAGE OR TRANSPORT.

CCI 1015476-01

(ON VEHICLE FRAME NEAR FUEL TANK)

⚠ WARNING

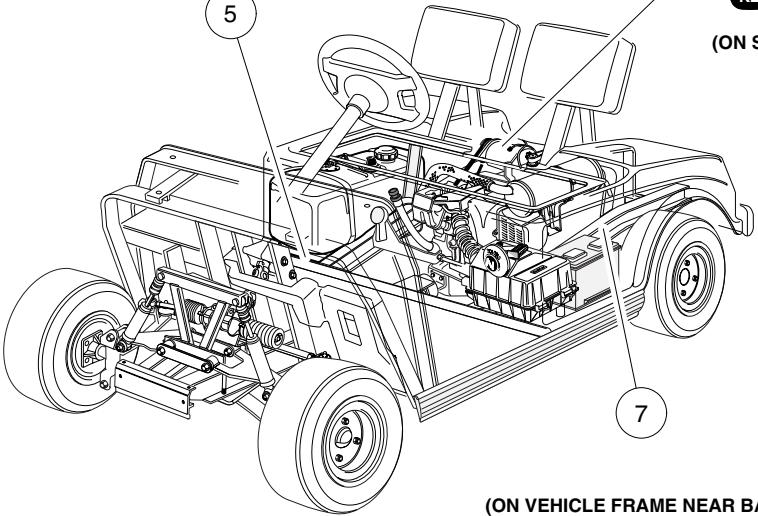
CAN CAUSE SEVERE INJURY

Rotating parts

HOT manifold & muffler

KEEP CLEAR CCI 1019605-01

(ON STARTER/GENERATOR AND ENGINE)



GASOLINE VEHICLE

⚠ WARNING Negative frame ground. Can cause severe injury. Do not contact positive (+) battery post or cable to frame. Disconnect negative battery lead first.	⚠ WARNING Excessive speed. Can cause severe injury or death. Do not tamper with engine governor adjustment. CCI 1019152-01
---	---

DECALS – VILLAGER 4, CONTINUED

ITEM	PART NO.	DESCRIPTION	QTY GAS	QTY ELEC
		1 2 3 4		
1	1013677	Decal, Battery Danger		1
2	101610901	Decal, Potentiometer Caution (vehicles with serial numbers lower than 0112-001470)		1
3	101931501	Decal, Electrical Component Cover (IQ System vehicle only)		1
4	101908601	Decal, Tow/Run Switch (IQ System vehicle only)		1
5	101547601	Decal, Gasoline Warning	1	
6	101960501	Decal, Rotating Parts and Hot Manifold Warning	2	
7	101915201	Decal, Frame Ground and Governor Warning.....	1	

3
G
E

OPERATING INSTRUCTIONS

- Read Owner's Manual and safety warnings located on dash panel prior to driving.
- Study and understand controls.

TO START ENGINE

- Place shift lever in "N" - Neutral position.
- Depress brake pedal.
- Turn key switch to "START" position and release.

TO OPERATE VEHICLE

- Make sure wheels are turned in desired direction.
- Be sure nothing is in your path.

• While vehicle is stopped, and engine is at idle, select vehicle direction by placing shift lever or switch in desired position.

F - Forward N - Neutral R - Reverse (Buzzer will sound)

- Park brake will release when accelerator pedal is pushed.
- Slowly push accelerator pedal to increase speed.
- Engine must be at idle before moving shift lever.

TO STOP VEHICLE

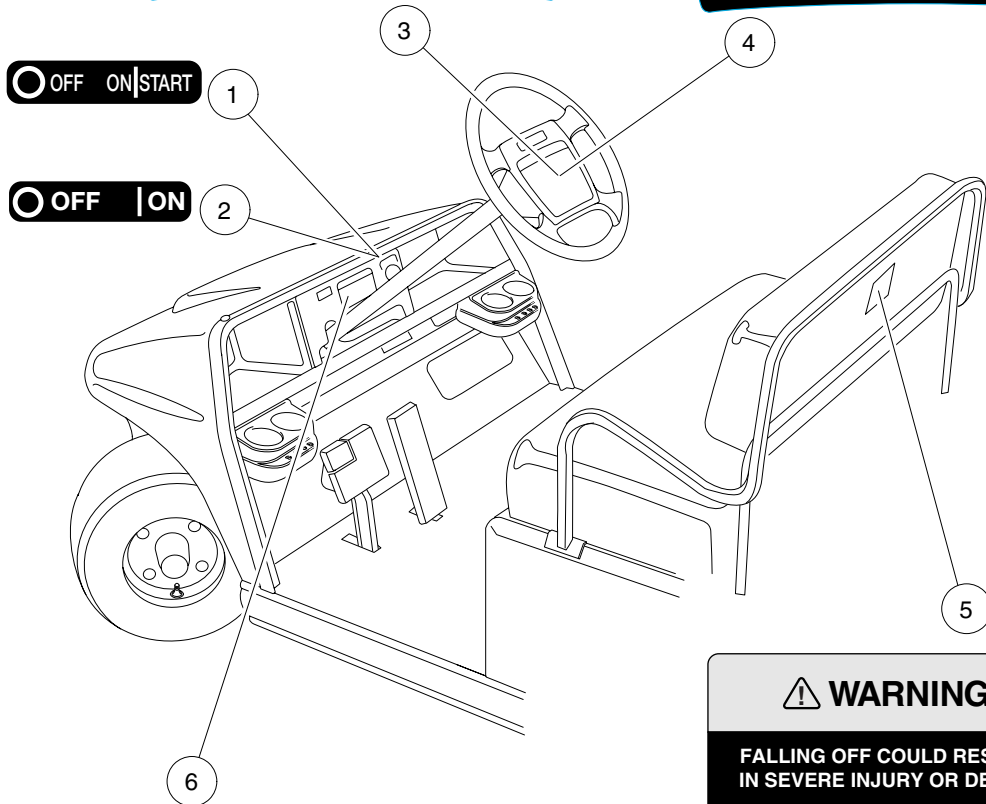
- Release accelerator pedal and push brake pedal.
- After stopping, firmly push park brake until it locks.
- Turn key to "OFF" position, remove key and place shift lever in straight up neutral position when not in use.

CCI 10193201

OPERATING INSTRUCTIONS

- Read Owner's Manual and safety warnings located on dash panel prior to driving.
- Study and understand controls.
- Make sure wheels are turned in desired direction.
- Turn key to "ON" position and be sure nothing is in your path.
- While vehicle is stopped, select direction by placing shift lever or switch in desired position:
F - Forward N - Neutral R - Reverse (Buzzer will sound)
- Vehicle will start moving when accelerator pedal is depressed.
- Slowly depress accelerator pedal to increase speed. Park brake will release when accelerator pedal is depressed.
- To stop, release accelerator pedal and depress brake pedal.
- After stopping the vehicle:
 - Firmly depress park brake until it locks.
 - Place Forward/Reverse switch in "NEUTRAL" position.
 - Turn key "OFF" and remove key when not in use.

CCI 101621601



⚠ WARNING

ROLLOVER OR FALLING OFF MAY CAUSE DEATH.

- Before using vehicle, read operating instructions.
- Remain seated and hold on to seat handle while moving.
- Do not start vehicle until all occupants are seated.
- Two (2) persons per seat maximum.
- Operate from driver side only and not on public roads.
- Keep entire body inside vehicle while moving.
- Drive slowly in turns and straight up and down slopes.
- Do not leave children unattended on vehicle.
- Never operate under the influence of alcohol or drugs.
- Use brakes to reduce speed when coasting downhill.
- Never stand in front of or behind vehicle.

CCI 1019606-01

⚠ WARNING

FALLING OFF COULD RESULT IN SEVERE INJURY OR DEATH

- Remain seated with entire body inside vehicle and hold on to seat handle or handrail at all times.
- Two (2) persons per bench seat maximum.
- One (1) person per bucket seat maximum.
- Do not leave children unattended on vehicle at anytime.
- Never stand in front of or behind vehicle.

CCI 101705701

DECALS, FRONT BODY – VILLAGER 6 AND VILLAGER 8

ITEM	PART NO.	DESCRIPTION	QTY GAS	QTY ELEC
		1 2 3 4		
1	101825102	Decal, Key Switch (gasoline vehicle)	1	
2	101825101	Decal, Key Switch (electric vehicle)		1
3	101693201	Decal, Operating Instructions (gasoline vehicle)	1	
4	101621601	Decal, Operating Instructions (electric vehicle)		1
5	101705701	Decal, Passenger Warning	1	1
6	101960601	Decal, Driver/Passenger Warning	1	1

3
G
E

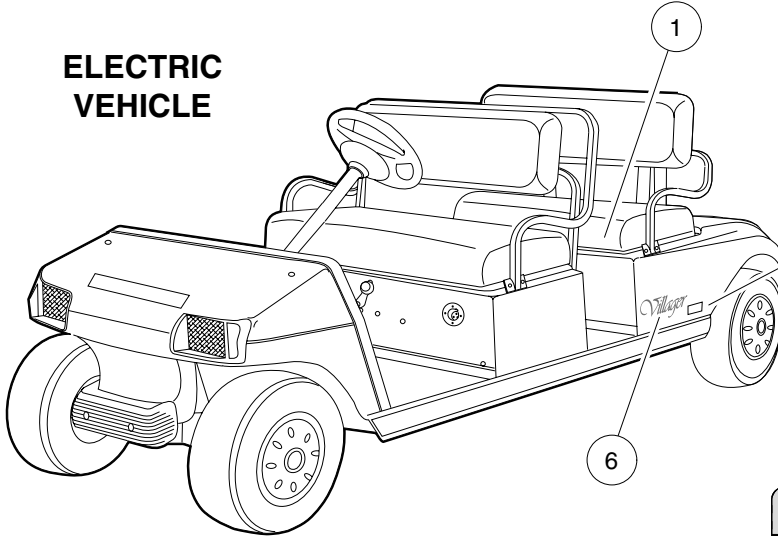
⚠ DANGER / POISON

EXPLOSIVE GASES CAN CAUSE BLINDNESS OR INJURY	SHIELD EYES	NO SPARKS • FLAMES • SMOKING	SULFURIC ACID CAN CAUSE BLINDNESS OR SEVERE BURNS	FLUSH EYES IMMEDIATELY WITH WATER GET MEDICAL HELP FAST
---	-------------	------------------------------------	--	--

KEEP OUT OF THE REACH OF CHILDREN - DO NOT TIP - KEEP VENT CAPS TIGHT AND LEVEL

(MOLDED ON BATTERY CAPS)

ELECTRIC VEHICLE



INGERSOLL-RAND

(ON BODY PANEL)

⚠ WARNING

- GASOLINE EXPLOSION / FIRE.
- CAN CAUSE SEVERE INJURY OR DEATH.
- NO SMOKING, SPARKS, OR OPEN FLAME.
- STOP ENGINE, ALLOW TO COOL BEFORE REFUELING.
- TURN FUEL VALVE () ON DURING OPERATION.
- () OFF DURING STORAGE OR TRANSPORT. CCI 1015476-01

(ON VEHICLE FRAME NEAR FUEL TANK)

⚠ WARNING

CAN CAUSE SEVERE INJURY

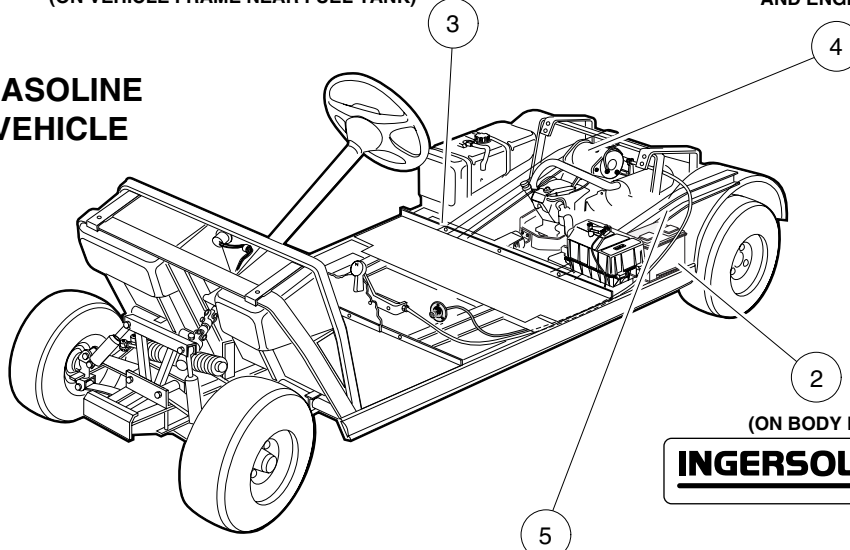
Rotating parts

HOT
manifold & muffler

KEEP CLEAR CCI 1019605-01

(ON STARTER/GENERATOR AND ENGINE)

GASOLINE VEHICLE



(ON BODY PANEL)

INGERSOLL-RAND

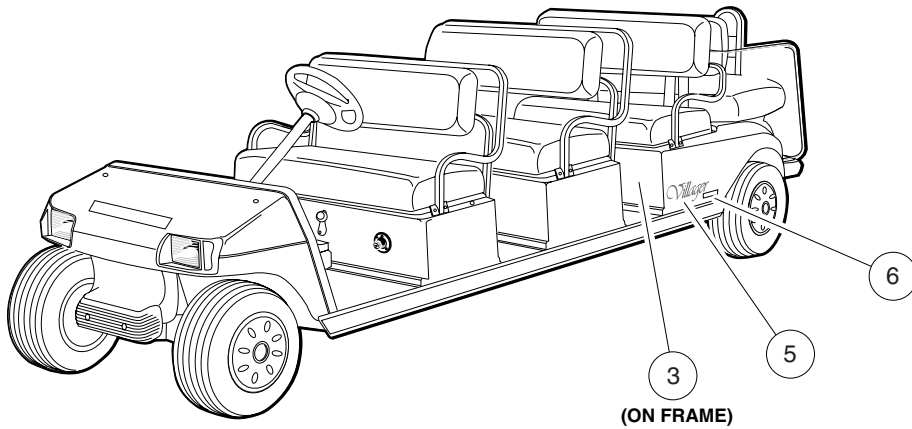
(ON VEHICLE FRAME NEAR BATTERY)

	⚠ WARNING Negative frame ground. Can cause severe injury. Do not contact positive (+) battery post or cable to frame. Disconnect negative battery lead first.		⚠ WARNING Excessive speed. Can cause severe injury or death. Do not tamper with engine governor adjustment. CCI 1019152-01
--	---	--	--

DECALS, REAR BODY – VILLAGER 6

ITEM	PART NO.	DESCRIPTION	QTY GAS	QTY ELEC
		1 2 3 4		
1	1013677	Decal, Battery Danger		1
2	101921901	Decal, Ingersoll-Rand (for 2001 vehicles only)	2	2
3	101547601	Decal, Gasoline Warning	1	
4	101960501	Decal, Rotating Parts and Hot Manifold Warning.....	2	
5	101915201	Decal, Frame Ground and Governor Warning	1	
6	102168701	Decal, Villager	2	2

3
G
E



(ON FRAME)

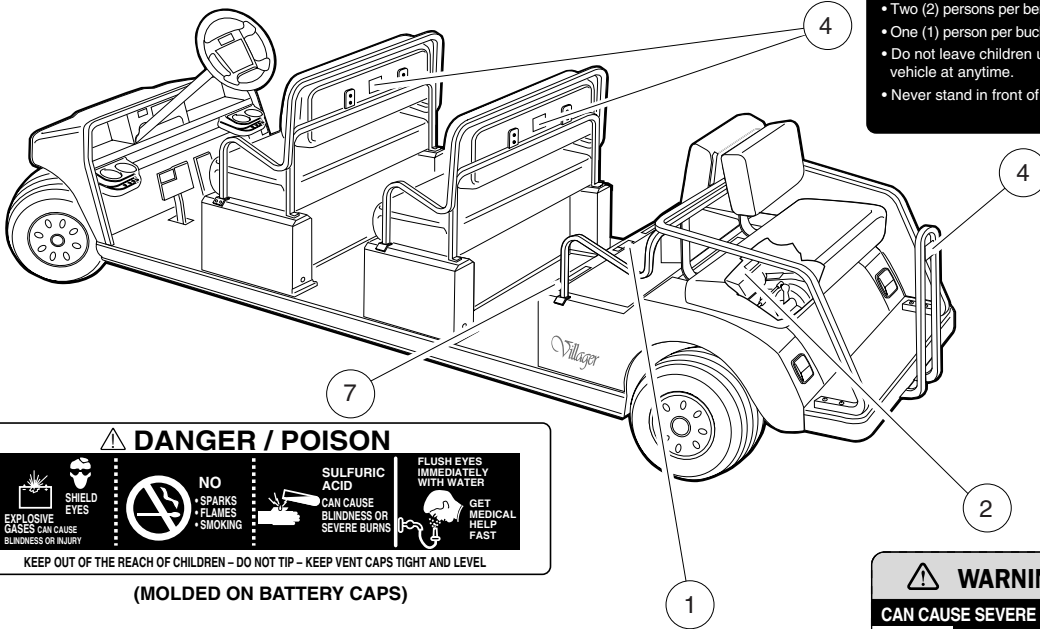
	<p>WARNING</p> <p>Negative frame ground. Can cause severe injury. Do not contact positive (+) battery post or cable to frame. Disconnect negative battery lead first.</p>		<p>WARNING</p> <p>Excessive speed. Can cause severe injury or death. Do not tamper with engine governor adjustment. CCI 1019152-01</p>
--	--	--	---

WARNING

FALLING OFF COULD RESULT IN SEVERE INJURY OR DEATH

- Remain seated with entire body inside vehicle and hold on to seat handle or handrail at all times.
- Two (2) persons per bench seat maximum.
- One (1) person per bucket seat maximum.
- Do not leave children unattended on vehicle at anytime.
- Never stand in front of or behind vehicle.

CCI 101705701



DANGER / POISON

<p>EXPLOSIVE GASES CAN CAUSE BLINDNESS OR INJURY</p>	<p>SHIELD EYES</p>	<p>NO SPARKS • FLAMES • SMOKING</p>	<p>SULFURIC ACID CAN CAUSE BLINDNESS OR SEVERE BURNS</p>	<p>FLUSH EYES IMMEDIATELY WITH WATER</p>	<p>GET MEDICAL HELP FAST</p>
--	--------------------	-------------------------------------	--	--	------------------------------

KEEP OUT OF THE REACH OF CHILDREN - DO NOT TIP - KEEP VENT CAPS TIGHT AND LEVEL

(MOLDED ON BATTERY CAPS)

WARNING

- GASOLINE EXPLOSION / FIRE.
- CAN CAUSE SEVERE INJURY OR DEATH.
- NO SMOKING, SPARKS, OR OPEN FLAME.
- STOP ENGINE, ALLOW TO COOL BEFORE REFUELING.
- TURN FUEL VALVE () ON DURING OPERATION.
- () OFF DURING STORAGE OR TRANSPORT.

CCI 1015476-01

(ON FRAME)

WARNING

CAN CAUSE SEVERE INJURY

Rotating parts

HOT manifold & muffler

KEEP CLEAR CCI 1019605-01

(ON STARTER/GENERATOR AND ENGINE)

DECALS, CENTER AND REAR BODY – VILLAGER 8

ITEM	PART NO.	DESCRIPTION	QTY GAS	QTY ELEC
		1 2 3 4		
1	101547601	Decal, Gasoline Warning	1	
2	101960501	Decal, Rotating Parts and Hot Manifold Warning.....	2	
3	101915201	Decal, Frame Ground and Governor Warning	1	
4	101705701	Decal, Passenger Warning	3	3
5	102168701	Decal, Villager	2	2
6	101921901	Decal, Ingersoll-Rand (for 2001 vehicles only)	2	2
7	1013677	Decal, Battery Danger.....		1

3
G
E

OPERATING INSTRUCTIONS

- Read Owner's Manual and safety warnings located on dash panel prior to driving.
- Study and understand controls.

TO START ENGINE

- Place shift lever in "N" - Neutral position.
- Depress brake pedal.
- Turn key switch to "START" position and release.

TO OPERATE VEHICLE

- Make sure wheels are turned in desired direction.
- Be sure nothing is in your path.
- While vehicle is stopped, and engine is at idle, select vehicle direction by placing shift lever or switch in desired position.
- F - Forward N - Neutral R - Reverse (Buzzer will sound)
- Park brake will release when accelerator pedal is pushed.
- Slowly push accelerator pedal to increase speed.
- Engine must be at idle before moving shift lever.

TO STOP VEHICLE

- Release accelerator pedal and push brake pedal.
- After stopping, firmly push park brake until it locks.
- Turn key to "OFF" position, remove key and place shift lever in straight up neutral position when not in use.

CCI 101960201

OPERATING INSTRUCTIONS

- Read Owner's Manual and safety warnings located on dash panel prior to driving.
- Study and understand controls.
- Make sure wheels are turned in desired direction.
- Turn key to "ON" position and be sure nothing is in your path.
- While vehicle is stopped, select direction by placing shift lever or switch in desired position:

F - Forward N - Neutral R - Reverse (Buzzer will sound)

- Vehicle will start moving when accelerator pedal is depressed.
- Slowly depress accelerator pedal to increase speed. Park brake will release when accelerator pedal is depressed.
- To stop, release accelerator pedal and depress brake pedal.
- After stopping the vehicle:
 - Firmly depress park brake until it locks.
 - Place Forward/Reverse switch in "NEUTRAL" position.
 - Turn key "OFF" and remove key when not in use.

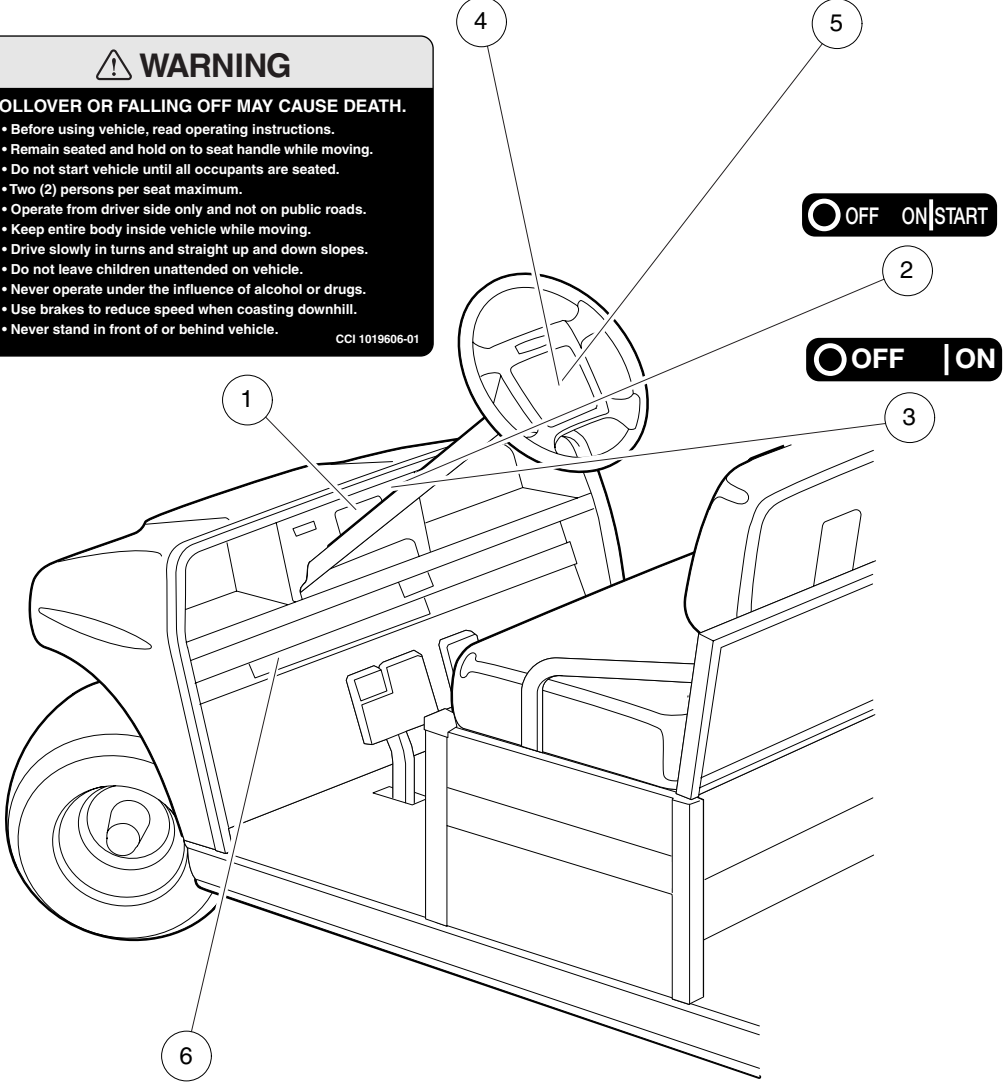
CCI 101961001

⚠ WARNING

ROLLOVER OR FALLING OFF MAY CAUSE DEATH.

- Before using vehicle, read operating instructions.
- Remain seated and hold on to seat handle while moving.
- Do not start vehicle until all occupants are seated.
- Two (2) persons per seat maximum.
- Operate from driver side only and not on public roads.
- Keep entire body inside vehicle while moving.
- Drive slowly in turns and straight up and down slopes.
- Do not leave children unattended on vehicle.
- Never operate under the influence of alcohol or drugs.
- Use brakes to reduce speed when coasting downhill.
- Never stand in front of or behind vehicle.

CCI 1019606-01



VEHICLE LOADING

Read Owner's Manual and warnings on dash.

- Vehicle rated capacity - 1500 lbs. on level surface only. Weight to include passengers, cargo bed load, and gross trailer weight. See Owner's Manual.
- Maximum cargo load CARRYALL 6 or TURF 6 - 1000 lbs., TRANSPORTER - 300 lbs. Weight to include cargo bed load and gross trailer weight.
- Maximum trailer hitch tongue weight - 150 lbs.

- Cargo should be evenly spread over the floor of the cargo bed as far forward as possible and secured.
 - For vehicle stability, when fully loaded, drive slowly and avoid stopping on or backing down steep hills.
 - Avoid top heavy loads. See Owner's Manual.
 - When driving on uneven terrain or down steep hills, reduce speed and load.
- CCI 101960001

DECALS – TRANSPORTER 4 AND TRANSPORTER 6

ITEM	PART NO.	DESCRIPTION	QTY GAS	QTY ELEC
		1 2 3 4		
1	101960601	Decal, Driver/Passenger Warning	1	1
2	101825102	Decal, Key Switch (gasoline vehicle only)	1	
3	101825101	Decal, Key Switch (electric vehicle only)		1
4	101693201	Decal, Operating Instructions (gasoline vehicle only)	1	
5	101621601	Decal, Operating Instructions (electric vehicle only)		1
6	101960001	Decal, Vehicle Loading	1	1

3
G
E

NOTICE
Do not operate vehicle without this cover properly installed.
Do not direct water stream in this area; will cause damage to components.
See vehicle maintenance and service manual before servicing. CCI 101931501

(ON COVER)

⚠ DANGER / POISON

EXPLOSIVE GASES CAN CAUSE BLINDNESS OR INJURY	SHIELD EYES	NO SPARKS, FLAMES, SMOKING	SULFURIC ACID CAN CAUSE BLINDNESS OR SEVERE BURNS	FLUSH EYES IMMEDIATELY WITH WATER GET MEDICAL HELP FAST
---	-------------	----------------------------	---	--

KEEP OUT OF THE REACH OF CHILDREN - DO NOT TIP - KEEP VENT CAPS TIGHT AND LEVEL.

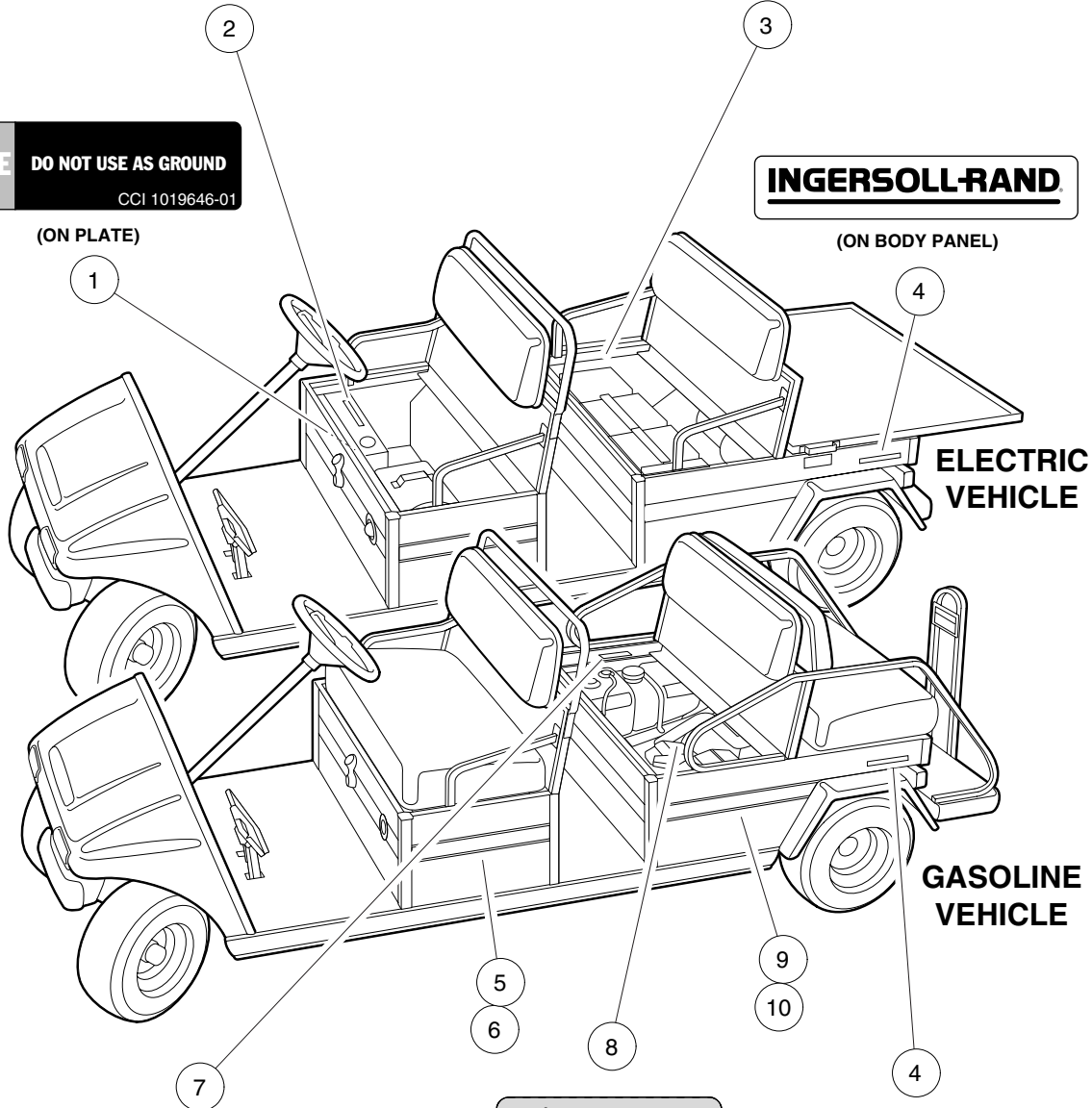
(MOLDED ON BATTERY CAPS)

NOTICE DO NOT USE AS GROUND
CCI 1019646-01

(ON PLATE)

INGERSOLL-RAND

(ON BODY PANEL)



⚠ WARNING

- GASOLINE EXPLOSION / FIRE.
- CAN CAUSE SEVERE INJURY OR DEATH.
- NO SMOKING, SPARKS, OR OPEN FLAME.
- STOP ENGINE, ALLOW TO COOL BEFORE REFUELING.
- TURN FUEL VALVE () ON DURING OPERATION.
- () OFF DURING STORAGE OR TRANSPORT. CCI 1015476-01

(ON VEHICLE FRAME NEAR FUEL TANK)

⚠ WARNING
CAN CAUSE SEVERE INJURY

Rotating parts

HOT
manifold & muffler

KEEP CLEAR CCI 1019605-01

(ON STARTER/GENERATOR AND ENGINE)


INGERSOLL-RAND

(ON BODY PANEL)


DECALS – TRANSPORTER 4 AND TRANSPORTER 6, CONTINUED

ITEM	PART NO.	DESCRIPTION	QTY GAS	QTY ELEC
		1 2 3 4		
1	101964601	Decal, No Ground		1
2	101931501	Decal, Component Cover Caution		1
3	1013677	Decal, Battery Danger		1
4	101921901	Decal, Ingersoll-Rand (for 2001 vehicles only)	2	2
5	102249901	Decal, TransPorter 4 (passenger side).....	1	1
6	102244501	Decal, TransPorter 4 (driver side)	1	1
7	101547601	Decal, Gasoline Warning	1	
8	101960501	Decal, Rotating Parts and Hot Manifold Warning	1	
9	102244801	Decal, TransPorter 6 (passenger side).....	1	1
10	102244701	Decal, TransPorter 6 (driver side)	1	1

3
G
E



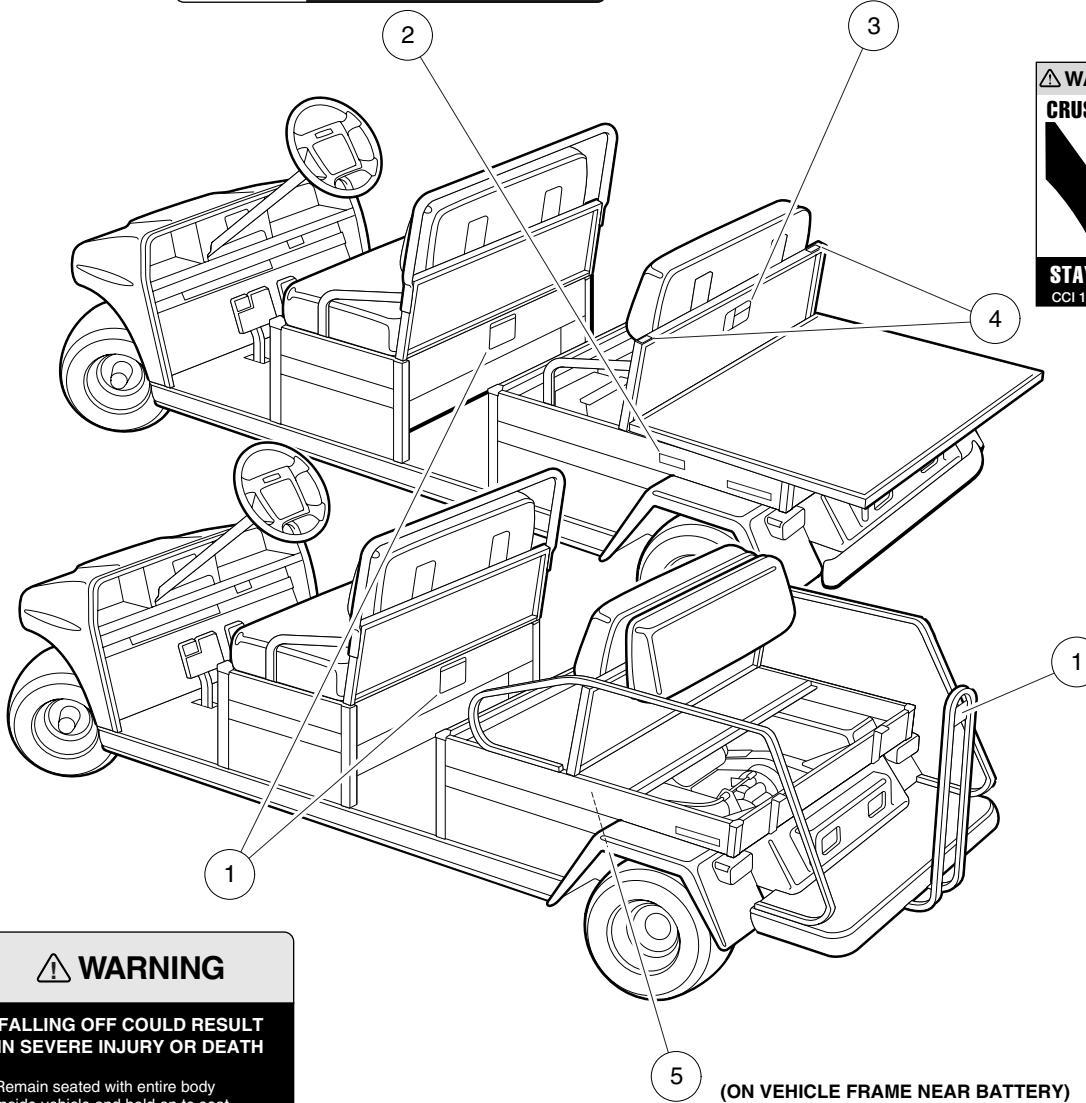
WARNING
FAILURE TO FOLLOW THESE INSTRUCTIONS CAN CAUSE SEVERE INJURY OR DEATH. Bed can tip up unexpectedly. Bed hold down bolts must be fastened.
CCI 101707801



WARNING
Riding in cargo bed can cause severe injury or death. Do not ride in cargo bed.
CCI 1015639-01

WARNING
CRUSH AREA



STAY CLEAR
CCI 1016094-01



WARNING
FALLING OFF COULD RESULT IN SEVERE INJURY OR DEATH

- Remain seated with entire body inside vehicle and hold on to seat handle or handrail at all times.
- Two (2) persons per bench seat maximum.
- One (1) person per bucket seat maximum.
- Do not leave children unattended on vehicle at anytime.
- Never stand in front of or behind vehicle.

CCI 101705781

	<p>WARNING Negative frame ground. Can cause severe injury. Do not contact positive (+) battery post or cable to frame. Disconnect negative battery lead first.</p>		<p>WARNING Excessive speed. Can cause severe injury or death. Do not tamper with engine governor adjustment. CCI 1019152-01</p>
---	---	---	--

DECALS – TRANSPORTER 4 AND TRANSPORTER 6, CONTINUED

ITEM	PART NO.	DESCRIPTION	QTY GAS	QTY ELEC
		1 2 3 4		
1	101705701	Decal, Passenger Warning (quantity 1 for TransPorter 4)	2	2
2	101707801	Decal, Bed Bolt Warning (TransPorter 4 only)	1	1
3	101553901	Decal, Bed Load Warning (TransPorter 4 only)	1	1
4	101609401	Decal, Crush Area (TransPorter 4 only)	2	2
5	101915201	Decal, Frame Ground and Governor Warning	1	

3
G
E

3

G

E

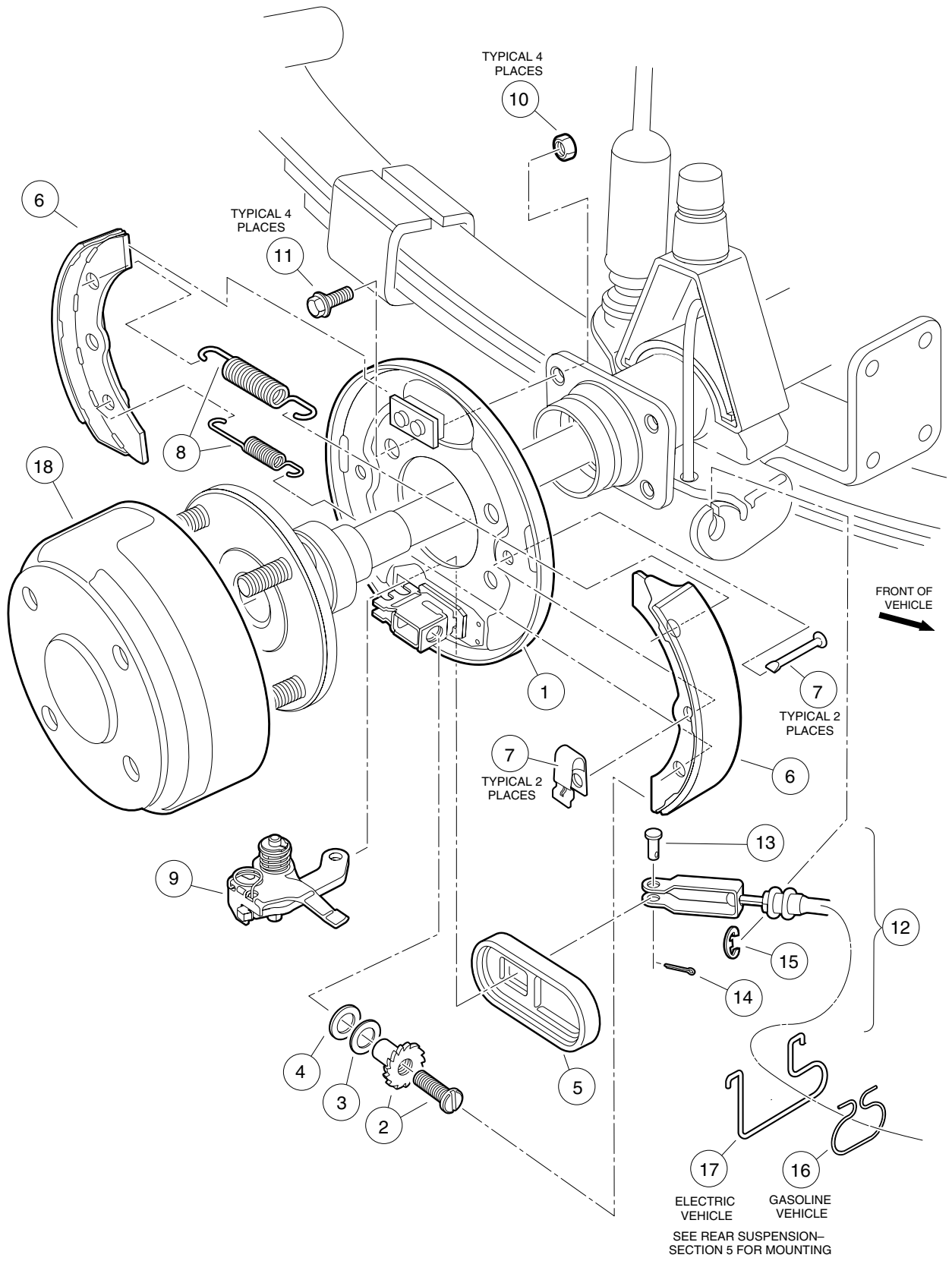
BRAKES, PEDAL, AND CABLE ASSEMBLIES

4

G

E

4
G
E

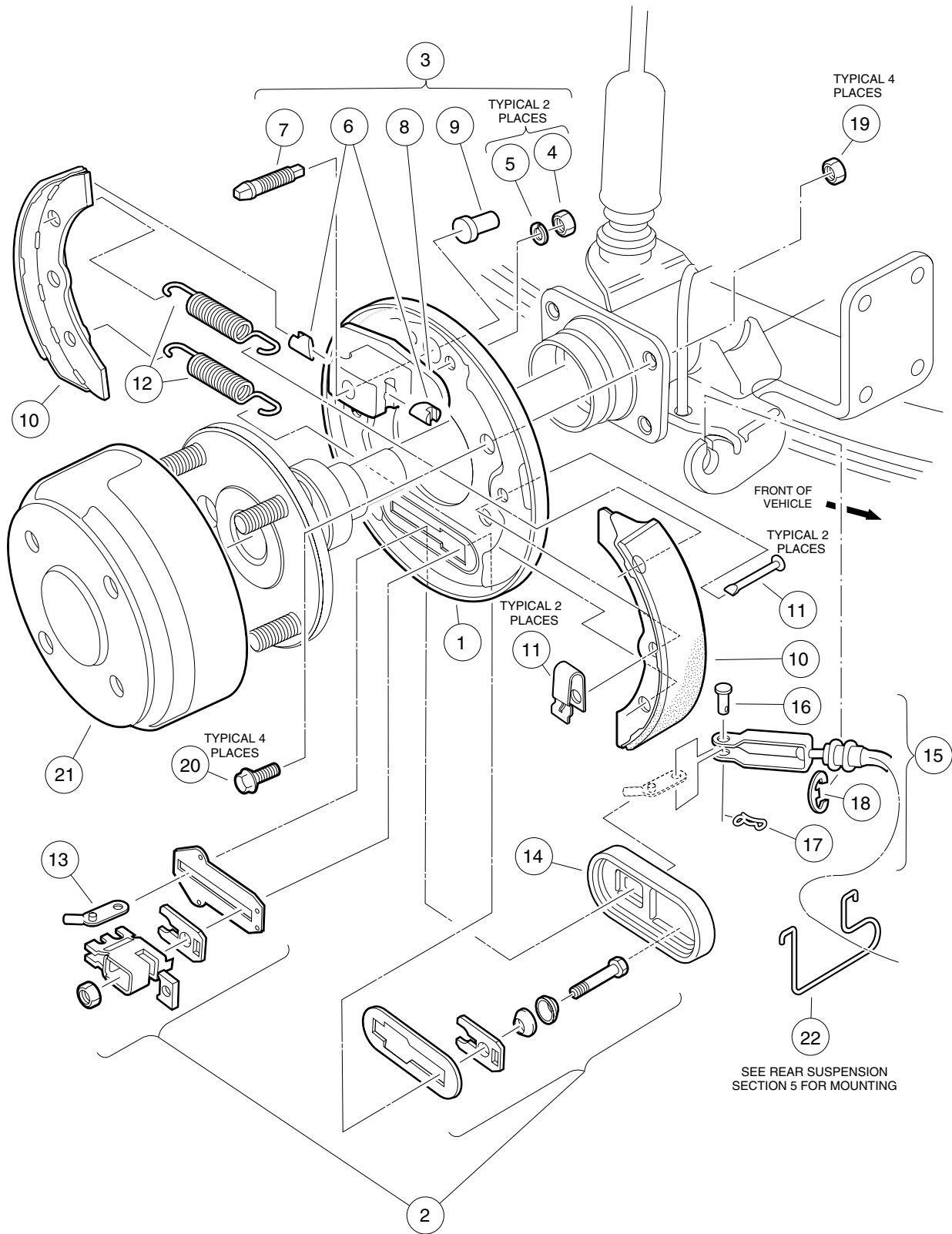


REAR BRAKE ASSEMBLY, SELF-ADJUSTING – VILLAGER 4

ITEM	PART NO.	DESCRIPTION	QTY GAS	QTY ELEC
		1 2 3 4		
	101823301	Cluster, Passenger-Side Brake (includes items 1 - 9)	1	1
	101823302	Cluster, Driver-Side Brake (includes items 1 - 9)	1	1
1	101824001	Assembly, Backing Plate, Passenger-Side (includes items 2 - 4)	1	1
1	101824002	Assembly, Backing Plate, Driver-Side (includes items 2 - 4)	1	1
2	101816501	Mechanism, Adjusting, Passenger-Side	1	1
2	101816502	Mechanism, Adjusting, Driver-Side	1	1
3	101823901	Washer	1	1
4	101823801	Washer, Plate	1	1
5	1010850	Cover, Dust	1	1
6	101823201	Package, Brake Shoe (four pieces)	1	1
7	1011466	Kit, Shoe Retainer (four pieces)	1	1
8	101816301	Package, Brake Spring (four pieces)	1	1
9	101815501	Assembly, Lever, Passenger-Side	1	1
9	101815502	Assembly, Lever, Driver-Side	1	1
10	1013924	Nut, Hex-Head Lock, Grade 8, 5/16-24	8	8
11	1014153	Bolt, Brake Cluster Mounting, Grade 8, 5/16-24 x 7/8	8	8
12	102022101	Kit, Brake Cable (includes items 13 -15)	2	2
13	1010829	Pin, Clevis, 5/16	1	1
14	1035	Pin, Cotter, 3/32 x 1	1	1
15	1011779	E-Clip, 1/2	2	2
16	101900801	Hanger, Brake Cable (gasoline vehicle only)	2	
17	1013207	Hanger, Brake Cable (electric vehicle only)		2
18	101791101	Drum, Brake	2	2

4
G
E

4
G
E



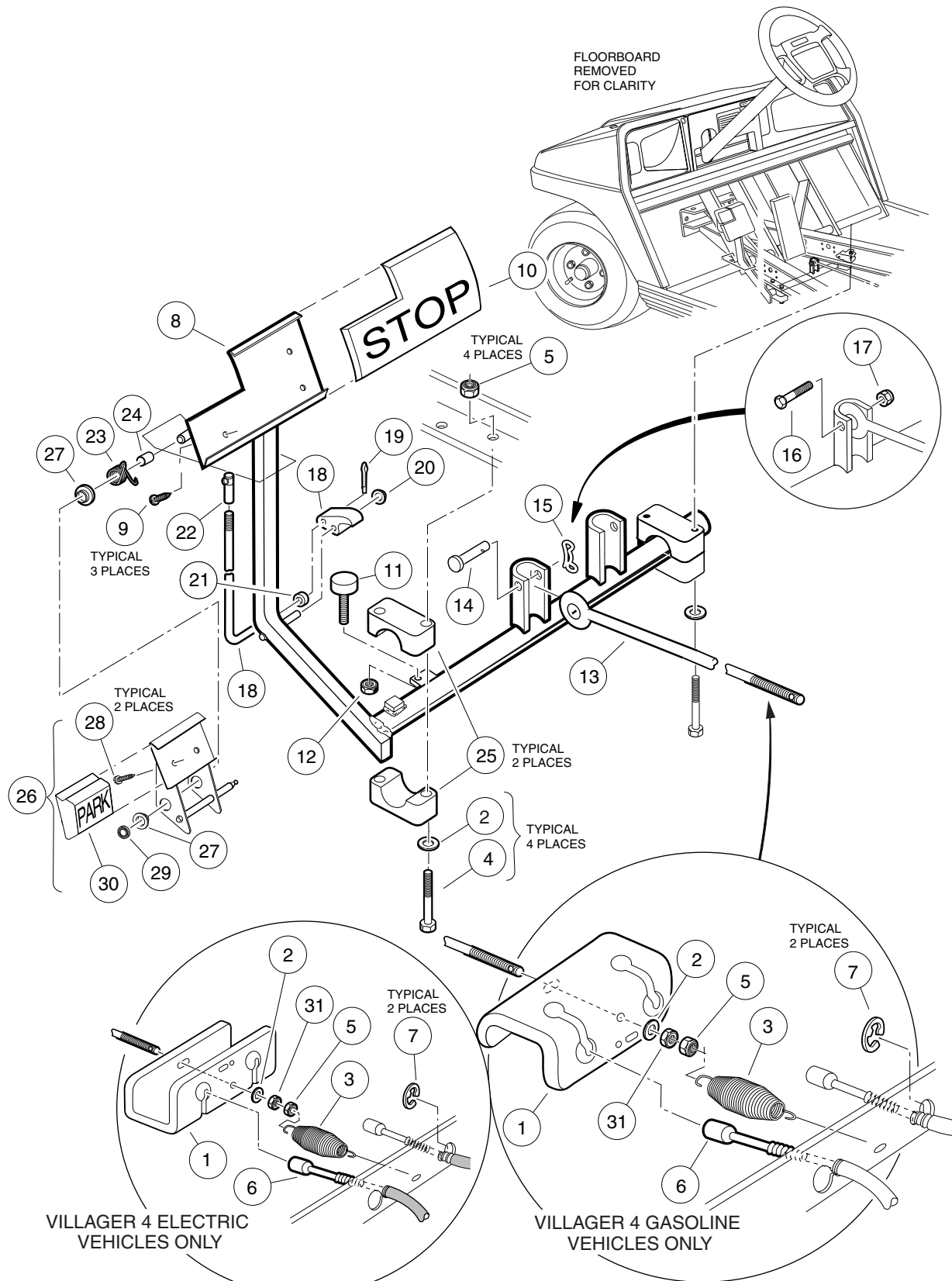
SEE REAR SUSPENSION SECTION 5 FOR MOUNTING

REAR BRAKE ASSEMBLY, MANUALLY ADJUSTED – VILLAGER 6 AND 8, TRANSPORTER 4 AND 6

ITEM	PART NO.	DESCRIPTION	QTY GAS	QTY ELEC
		1 2 3 4		
	1016573	Cluster, Passenger-Side Brake Without Brake Drum (includes items 1 - 14)	1	1
	1016557	Cluster, Driver-Side Brake Without Brake Drum (includes items 1 - 14)	1	1
1	N/A	Plate, Backing, Driver-Side	1	1
1	N/A	Plate, Backing, Passenger-Side	1	1
2	1011465	Kit, Brake Actuator	1	1
3	1011467	Kit, Anchor Body (includes items 4 - 9)	1	1
4	1011114	Nut, M6 x 1	2	2
5	451	Washer, Lock, 1/4	2	2
6	N/A	Piston, Anchor	2	2
7	N/A	Bolt, Adjustment	1	1
8	N/A	Body, Anchor	1	1
9	1011303	Cap, Adjustment Bolt	1	1
10	101146302	Package, Brake Shoe (four pieces)	1	1
11	1011466	Kit, Shoe Retainer (four pieces)	1	1
12	1011464	Package, Brake Spring (four pieces)	1	1
13	N/A	Arm, Brake Lever	1	1
14	1010850	Cover, Dust	1	1
15	102166901	Kit, Brake Cable (includes two each of items 16 and 17 and four each of item 18)	1	1
16	1010829	Pin, Clevis, 5/16	2	2
17	102292801	Pin, Bow Tie Locking	2	2
18	1011779	E-Clip, 1/2	4	4
19	1013924	Nut, Cone Lock, Grade 8, 5/16-24	8	8
20	1014153	Bolt, Brake Cluster Mounting, Grade 8, 5/16-24 x 7/8	8	8
21	101791101	Drum, Brake	2	2
22	1013207	Hanger, Brake Cable	2	2

4
G
E

**4
G
E**

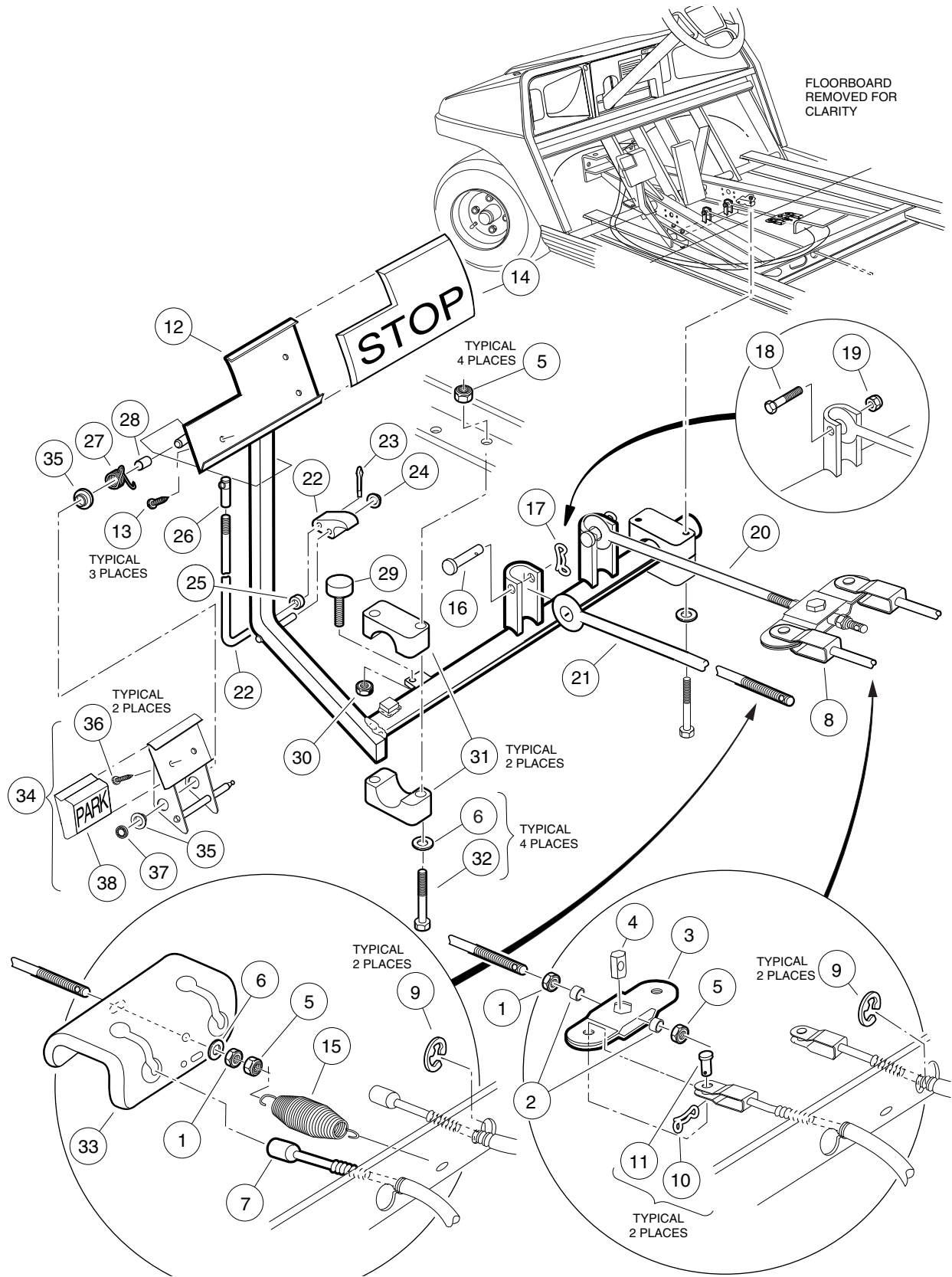


BRAKE PEDAL AND CABLE ASSEMBLY – VEHICLE WITH TWO-WHEEL BRAKES

ITEM	PART NO.	DESCRIPTION	QTY GAS	QTY ELEC
		1 2 3 4		
1	101990801	Equalizer	1	1
2	1241	Washer, Flat, 5/16	5	5
3	1013531	Spring, Brake Return	1	1
4	1010921	Screw, Hex-Head Cap, 5/16-18 x 2-1/2	4	4
5	7473	Nut, Nylon Lock, 5/16-18	5	5
6	102022101	Kit, Brake Cable (includes item 7, and items 13 and 14 on page 4-3)	2	2
7	1011779	E-Clip, 1/2	2	2
8	101878201	Kit, Brake Pedal (includes items 9 and 10)	1	1
9	7716	Screw, Slotted Hex Washer-Head, #10-16 x 1/2	3	3
10	1013869	Pad, Brake Pedal	1	1
11	1010878	Bumper, Rubber	1	1
12	1028	Nut, Hex, 1/4-20	1	1
13	101953101	Rod, Equalizer	1	1
14	102323201	Pin, Clevis, 5/16 (later style hardware used with item 15)	1	1
15	102323101	Pin, Bow Tie Locking	1	1
16	101953001	Bolt, Hex-Head Shoulder, 3/8 x 1 (earlier style hardware used with item 17)	1	1
17	7473	Nut, Nylon Lock, 5/16-18	1	1
	101187702	Kit, Park Brake Latch (includes items 18 - 22 and item 26 on page 4-13) .	1	1
18	N/A	Rod and Pawl	1	1
19	1017029	Pin, Cotter, 7/64 x 1/2	1	1
20	1010877	Nut, Push, 5/16	1	1
21	1010805	Sleeve, Park Brake Rod	1	1
22	1010932	Joint, Ball, 1/4-28	1	1
23	1010933	Spring, Park Brake Torsion	1	1
24	1010927	Spacer, Park Brake	1	1
25	1011402	Package, Brake Mounting Block (contains upper and lower for driver and passenger sides)	1	1
26	1011418	Kit, Park Brake Pedal (includes items 27 - 30)	1	1
27	1032	Bushing, Nylon	2	2
28	8626	Screw, Slotted Hex Washer-Head, #10-16 x 5/8	2	2
29	1013876	Nut, Push, 3/8	1	1
30	1013870	Pad, Park Brake	1	1
31	1242	Nut, Hex, 5/16-18	1	1

4
G
E

**4
G
E**

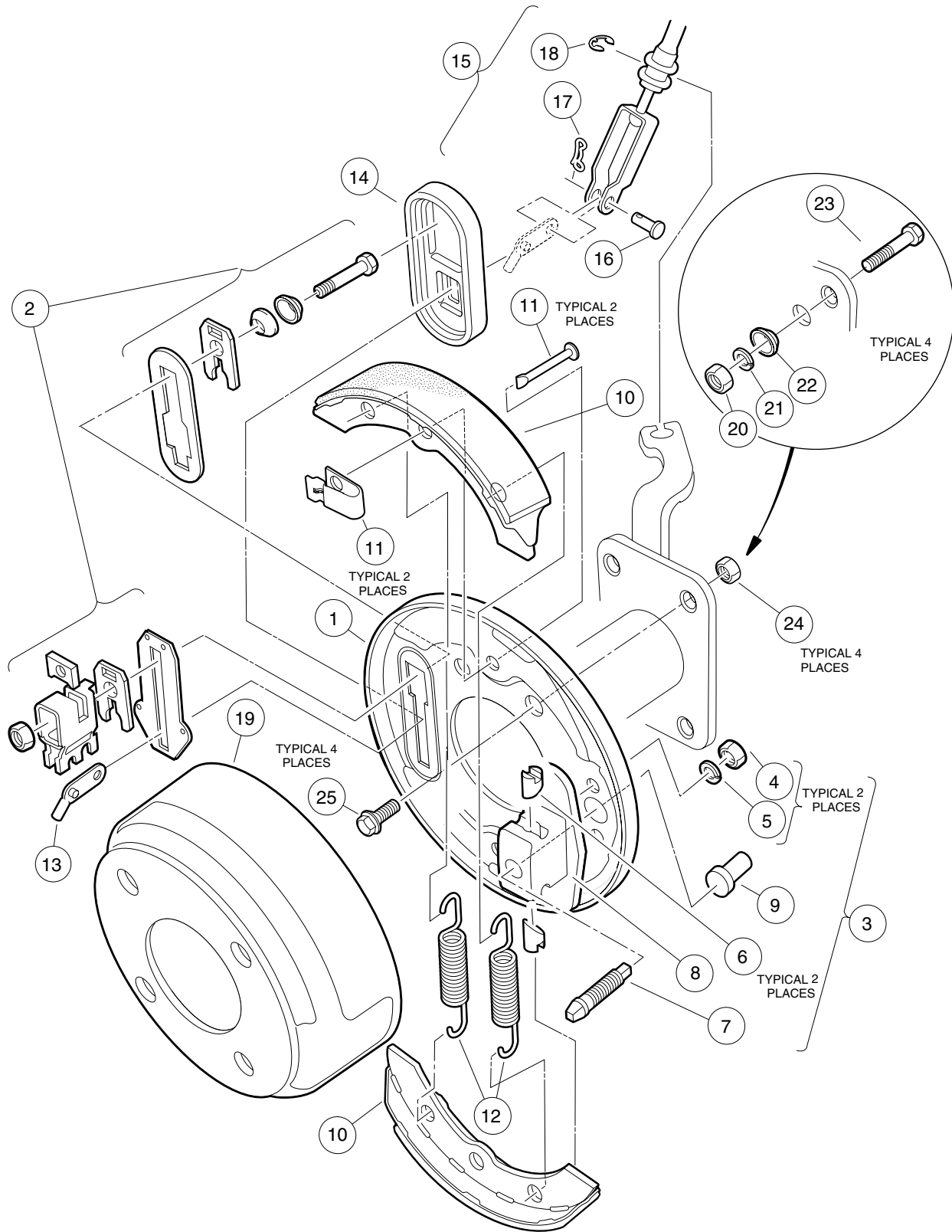


BRAKE PEDAL AND CABLE ASSEMBLY – VEHICLE WITH FOUR-WHEEL BRAKES

ITEM	PART NO.	DESCRIPTION	QTY GAS	QTY ELEC
		1 2 3 4		
1	1242	Nut, Hex, 5/16-18	1	1
2	101865301	Spacer, Equalizer	2	2
3	1017211	Kit, Equalizer and Pivot Limiter (includes item 4)	1	1
4	N/A	Pin, Equalizer Pivot	1	1
5	7473	Nut, Nylon Lock, 5/16-18	5	5
6	1241	Washer, Flat, 5/16	5	5
7	102166901	Kit, Brake Cable, Rear (includes four each of item 9 and two each of items 10 and 11)	1	1
8	101874601	Kit, Brake Cable, Front (includes items 9 - 11)	1	1
9	1011779	E-Clip, 1/2	4	4
10	102292801	Pin, Bow Tie Locking	4	4
11	1010829	Pin, Clevis, 5/16	4	4
12	101878201	Kit, Brake Pedal (includes items 13 and 14)	1	1
13	7716	Screw, Slotted Hex Washer-Head, #10-16 x 1/2	3	3
14	1013869	Pad, Brake Pedal	1	1
15	1013531	Spring, Brake Return	1	1
16	102323201	Pin, Clevis, 5/16 (newer style hardware used with item 17)	2	2
17	102323101	Pin, Bow Tie Locking	2	2
18	101953001	Bolt, Hex-Head Shoulder, 3/8 x 1 (older style hardware used with item 19).....	2	2
19	7473	Nut, Nylon Lock, 5/16-18	2	2
20	101953106	Rod, Equalizer, Front	1	1
21	101953103	Rod, Equalizer, Rear (Villager 6, TransPorter 4, and TransPorter 6)	1	1
21	101953104	Rod, Equalizer, Rear (Villager 8 only)	1	1
	101187702	Kit, Park Brake Latch (includes items 22 - 26 and item 26 on page 4-13 or item 25 on page 4-15)	1	1
22	N/A	Rod and Pawl	1	1
23	1017029	Pin, Cotter, 7/64 x 1/2	1	1
24	1010877	Nut, Push, 5/16	1	1
25	1010805	Sleeve, Park Brake Rod	1	1
26	1010932	Joint, Ball, 1/4-28	1	1
27	1010933	Spring, Park Brake Torsion	1	1
28	1010927	Spacer, Park Brake	1	1
29	1010878	Bumper, Rubber	1	1
30	1028	Nut, Hex, 1/4-20	1	1
31	1011402	Package, Brake Mounting Block (contains upper and lower for left and right sides).....	1	1
32	1010921	Screw, Hex-Head Cap, 5/16-18 x 2-1/2	4	4
33	101990801	Equalizer	1	1
34	1011418	Kit, Park Brake Pedal (includes items 35 - 38)	1	1
35	1032	Bushing, Nylon	2	2
36	8626	Screw, Slotted Hex Washer-Head, #10-16 x 5/8	2	2
37	1013876	Nut, Push, 3/8	1	1
38	1013870	Pad, Park Brake	1	1

4
G
E

4
G
E

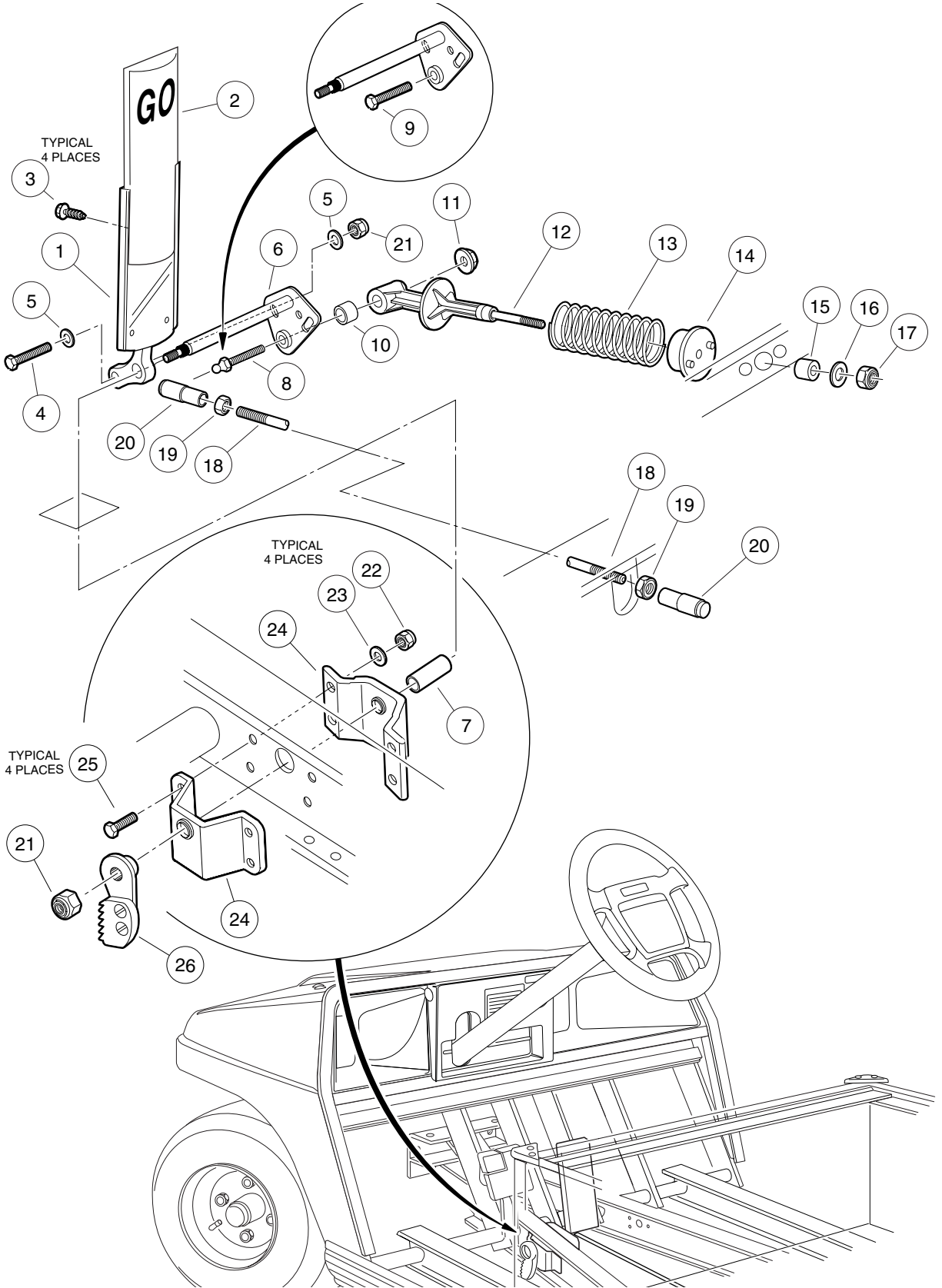


FRONT BRAKE ASSEMBLY – VEHICLE WITH FOUR-WHEEL BRAKES

ITEM	PART NO.	DESCRIPTION	QTY GAS	QTY ELEC
		1 2 3 4		
	1016573	Cluster, Passenger-Side Brake, Without Brake Drum (includes items 1 - 14)	1	1
	1016557	Cluster, Driver-Side Brake, Without Brake Drum (includes items 1 - 14)	1	1
1	N/A	Plate, Backing, Passenger-Side	1	1
1	N/A	Plate, Backing, Driver-Side	1	1
2	1011465	Kit, Brake Actuator	1	1
3	1011467	Kit, Anchor Body (includes items 4 - 9)	1	1
4	1011114	Nut, M6 x 1	2	2
5	451	Washer, Lock, 1/4	2	2
6	N/A	Piston, Anchor	2	2
7	N/A	Bolt, Adjustment	1	1
8	N/A	Body, Anchor	1	1
9	1011303	Cap, Adjustment Bolt	1	1
10	101146302	Package, Brake Shoe (four pieces)	1	1
11	1011466	Kit, Shoe Retainer (four pieces)	1	1
12	1011464	Package, Brake Spring (four pieces)	1	1
13	N/A	Arm, Brake Lever	1	1
14	1010850	Cover, Dust	1	1
15	101874601	Kit, Brake Cable Front (includes items 16 - 18)	1	1
16	1010829	Pin, Clevis, 5/16	4	4
17	102292801	Pin, Bow Tie Locking	4	4
18	1011779	E-Clip, 1/2	4	4
19	1011137	Drum, Brake	4	4
		Items 20 - 23 are for 2001, 2002, and early 2003 vehicles:		
20	101872701	Nut, Hex, 5/16-24	8	8
21	7174	Washer, Lock, 5/16	8	8
22	101869001	Washer, Cone, 5/16	8	8
23	1017232	Screw, Hex-Head Cap, 5/16-24 x 1	8	8
		Items 24 and 25 are for later 2003 vehicles:		
24	1013924	Nut, Cone Lock, Grade 8, 5/16-24	8	8
25	1014153	Bolt, Brake Cluster Mounting, Grade 8, 5/16-24 x 7/8	8	8
		Note: See page 5-11 for front brake cable clamp and bracket.		

4
G
E

4
G
E

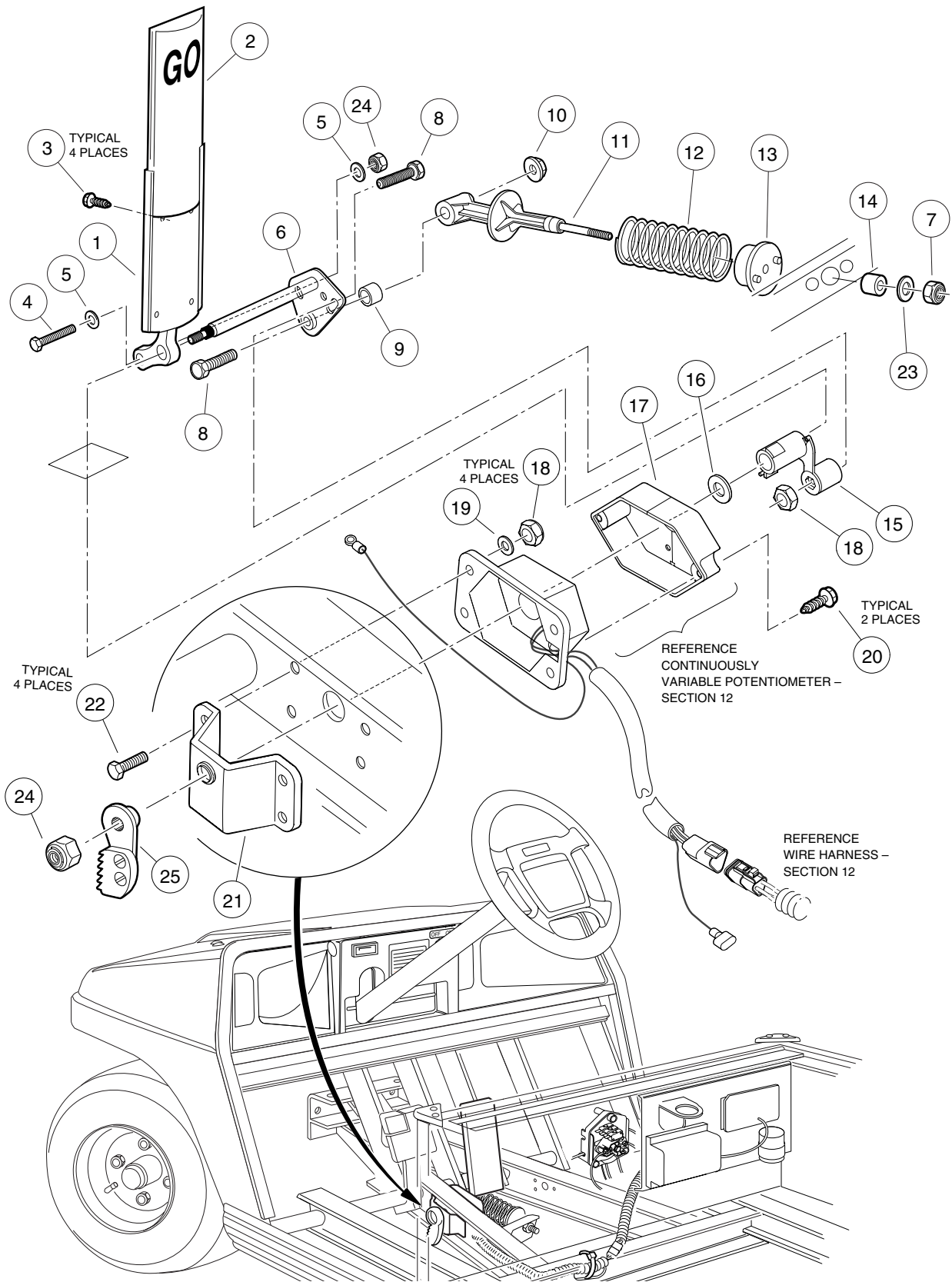


ACCELERATOR PEDAL ASSEMBLY – VILLAGER 4, ALL ELECTRIC WITH MCOR, AND GASOLINE VEHICLES

ITEM	PART NO.	DESCRIPTION	QTY GAS	QTY ELEC
		<p>1 2 3 4</p> <p>The information on this page pertains to the following vehicles within the scope of this manual:</p> <ul style="list-style-type: none"> • All gasoline vehicles • Villager 4 electric vehicles • The following electric vehicles with serial numbers 0112-001470 and greater (vehicles with the MCOR device): Villager 6, Villager 8, TransPorter 4, and TransPorter 6 		
1	1017696	Sub-Assembly, Accelerator Pedal (includes items 2 and 3)	1	1
2	1013871	Pad, Accelerator Pedal	1	1
3	7716	Screw, Slotted Hex Washer-Head, #10-16 x 1/2	4	4
4	1624	Screw, Hex Cap, 3/8-16 x 1-1/2	1	1
5	334	Washer, Flat, 3/8	2	2
6	102026001	Kit, Accelerator Pivot Rod (includes item 7)	1	1
7	1011700	Spacer	1	1
8	101818801	Stud, Ball (for all vehicles listed above except those equipped with MCOR)	1	1
9	101862001	Screw, Hex-Head Cap, 1/4-20 x 1-3/8 (MCOR vehicles)		1
10	1017424	Bearing, Pivot Support	1	1
11	101966901	Nut, Flange, 1/4-28	1	1
12	101817401	Retainer, Spring	1	1
13	101796201	Spring, Return	1	1
14	1017378	Cup, Spring	1	1
15	1017380	Bumper, Return Spring	1	1
16	1241	Washer, Flat, 5/16	1	1
17	7473	Nut, Nylon Lock, 5/16-18	1	1
18	101871901	Assembly, Accelerator Rod (electric Villager 4 vehicles with serial numbers lower than 0112-001470 only) (includes items 19 and 20)		1
18	101912401	Assembly, Accelerator Rod (gasoline Villager 4 vehicles only) (includes items 19 and 20)	1	
18	101674702	Assembly, Accelerator Rod (gasoline Villager 6, TransPorter 4, TransPorter 6 vehicles) (includes items 19 and 20)	1	
18	101674704	Assembly, Accelerator Rod (gasoline Villager 8 vehicles only) (includes items 19 and 20)	1	
19	1011084	Nut, UNF Hex Jam, 1/4-28	2	2
20	1011734	Joint, Spring-Loaded Ball	2	2
21	8754	Nut, Nylon Lock, 3/8-16	2	2
22	8233	Nut, Nylon Lock, 1/4-20	4	4
23	1014007	Washer, Flat, Type B, 1/4	4	4
24	1011694	Support, Accelerator Pivot Rod	2	2
25	101861901	Screw, Hex Cap, 1/4-20 x 1-1/8	4	4
	101187702	Kit, Park Brake Latch (includes item 26, and items 18 - 22 on page 4-7 or items 22 - 26 on page 4-9)	1	1
26	N/A	Ratchet, Park Brake	1	1

4
G
E

4
G
E



ACCELERATOR PEDAL ASSEMBLY – ELECTRIC VEHICLES WITH POTENTIOMETER

ITEM	PART NO.	DESCRIPTION	QTY GAS	QTY ELEC
		1 2 3 4 The information on this page pertains to the following electric vehicles with serial numbers lower than 0112-001470: Villager 6, Villager 8, TransPorter 4, and TransPorter 6		
1	1017696	Sub-Assembly, Accelerator Pedal (includes items 2 and 3)		1
2	1013871	Pad, Accelerator Pedal		1
3	7716	Screw, Slotted Hex Washer-Head, #10-16 x 1/2		4
4	1624	Screw, Hex-Head Cap, 3/8-16 x 1-1/2		1
5	334	Washer, Flat, 3/8		2
6	102026001	Kit, Accelerator Pivot Rod		1
7	7473	Nut, Nylon Lock, 5/16-18		1
8	101862001	Screw, Hex-Head Cap, 1/4-20 x 1-3/8		2
9	1017424	Bearing, Pivot Support		1
10	1015661	Nut, Flange Lock, 1/4-20		1
11	101817401	Retainer, Spring		1
12	101796201	Spring, Return		1
13	1017378	Cup, Spring		1
14	1017380	Bumper, Return Spring		1
15	1017400	Lever, Actuator		1
16	101804201	Washer, Plastic, 1/2		1
17	1017743	Cover, Accelerator		1
18	8233	Nut, Nylon Lock, 1/4-20		5
19	1014007	Washer, Flat, Type B, 1/4		4
20	101804301	Screw, Hi-Lo Hex-Head, #8-18 x 1/2		2
21	1011694	Support, Accelerator Pivot Rod		1
22	101861901	Screw, Hex-Head Cap, 1/4-20 x 1-1/8		4
23	1241	Washer, Flat, 5/16		1
24	8754	Nut, Nylon Lock, 3/8 x 16		2
	101187702	Kit, Park Brake Latch (includes item 25, and items 22 - 26 on page 4-9)		1
25	N/A	Ratchet, Park Brake		1

4
G
E

4

G

E

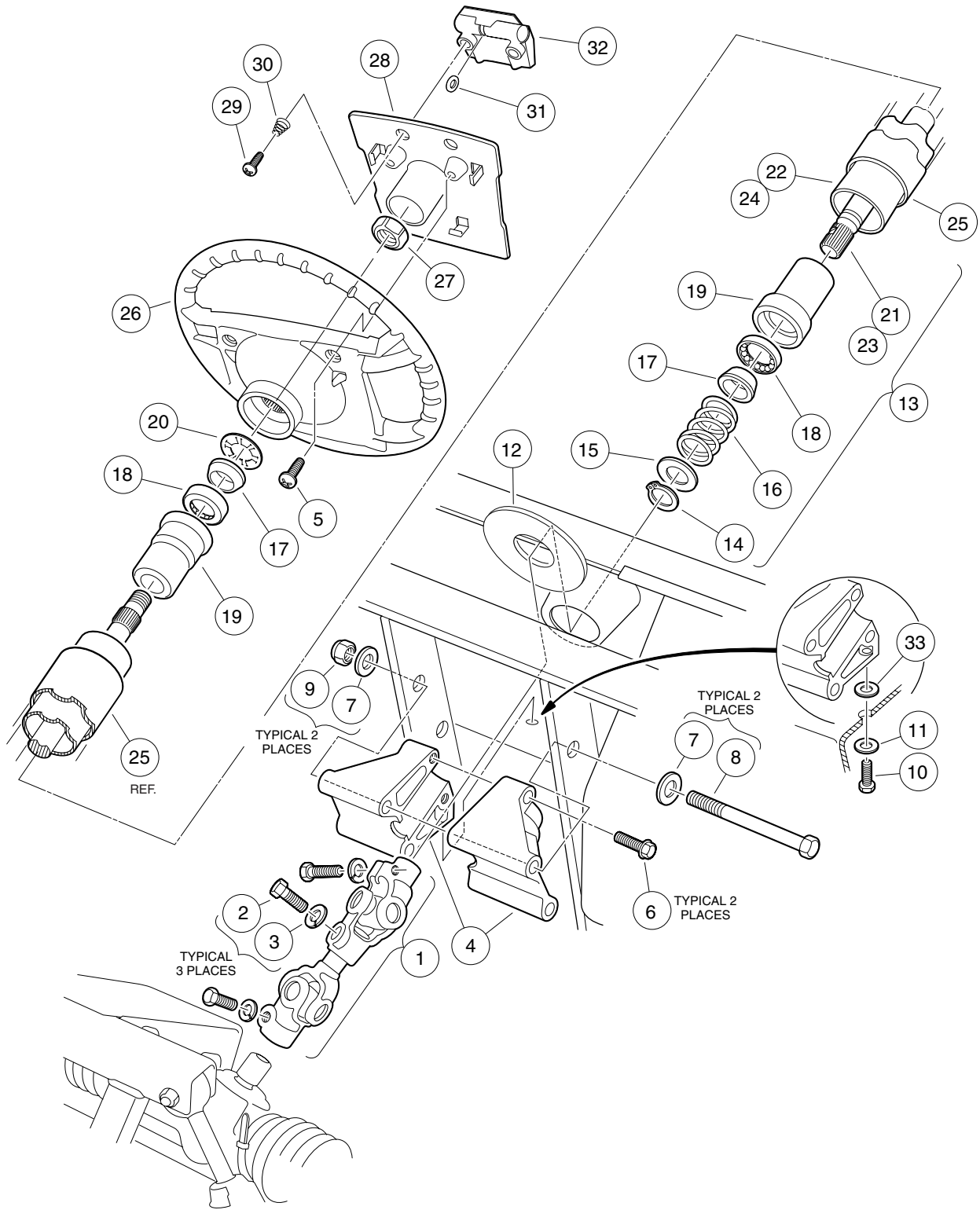
STEERING, FRONT AND REAR SUSPENSION

5

G

E

5
G
E

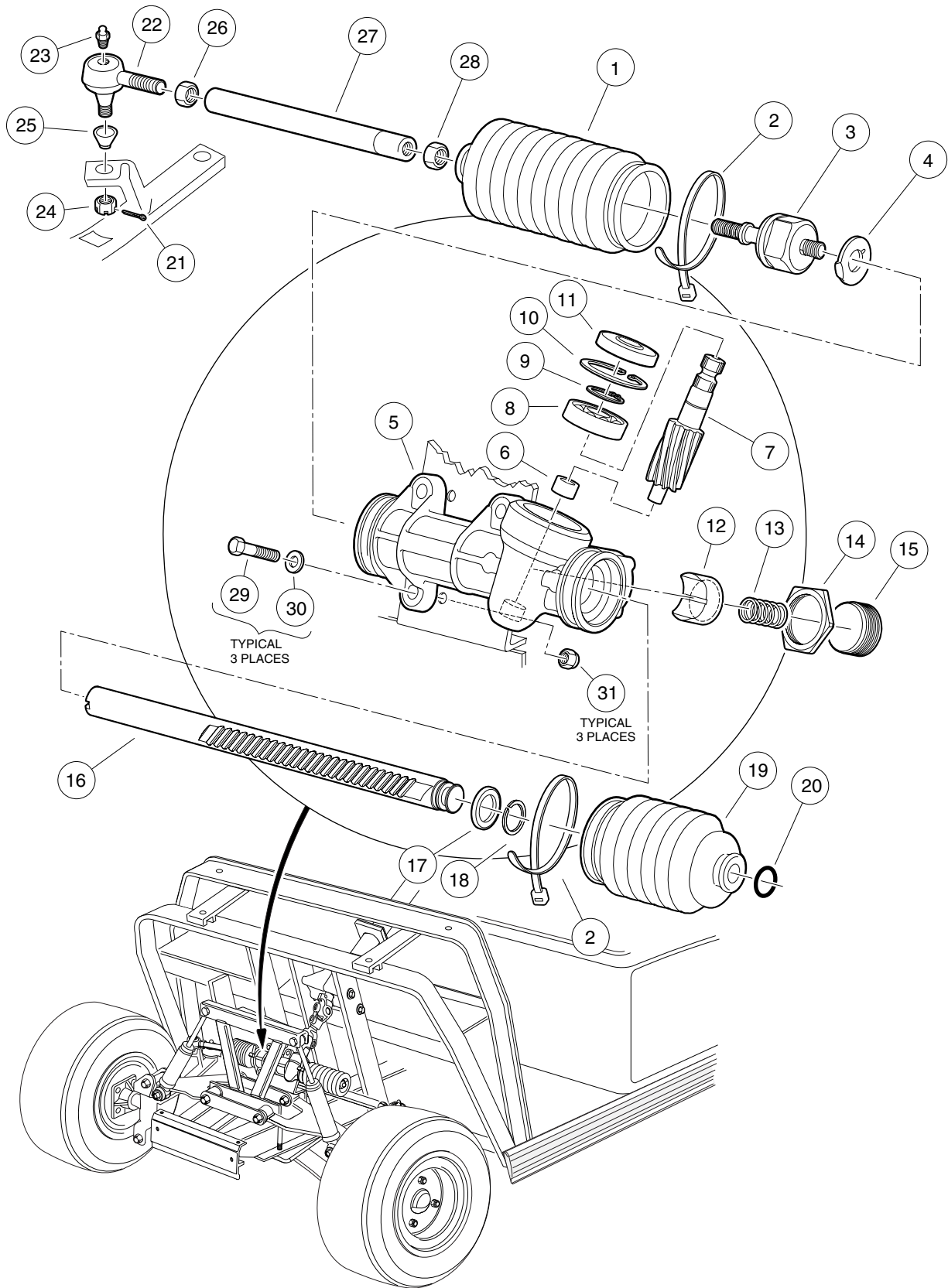


STEERING COLUMN

ITEM	PART NO.	DESCRIPTION	QTY GAS	QTY ELEC
		1 2 3 4		
1	1013861	Joint, Compound Steering (includes items 2 and 3)	1	1
2	1017226	Screw, Hex-Head Cap, M8 x 1.25 x 30 mm	3	3
3	7174	Washer, Lock, 5/16	3	3
4	101984801	Kit, Steering Column Mounting Bracket	1	1
5	1016663	Screw, Phillips, Type A, #12-11 x 5/8	2	2
6	1016269	Screw, Hex Washer-Head Thread-Forming, 5/16-18 x 2	2	2
7	334	Washer, Flat, 3/8	4	4
8	1016183	Screw, Hex-Head Cap, 3/8-16 x 7	2	2
9	8754	Nut, Nylon Lock, 3/8-16	2	2
10	1014288	Screw, Hex Washer-Head Thread-Forming, 5/16-18 x 3/4	1	1
11	1011697	Washer, Flat, 5/16	1	1
12	102278001	Boot, Steering Column	1	1
13	1016181	Assembly, Steering Column (Villager 4, TransPorter 4, and TransPorter 6 vehicles) (includes items 14 - 22)	1	1
13	1017313	Assembly, Steering Column (Villager 6 and Villager 8 vehicles) (includes items 14 - 20, 23, and 24)	1	1
14	1012605	Ring, Retaining	1	1
15	1012604	Washer, Steel, 5/8	1	1
16	1014217	Spring, Compression	1	1
17	1014125	Wedge	2	2
18	1014213	Assembly, Bearing	2	2
19	1014126	Seat, Bearing	2	2
20	1014214	Ring, Retaining	1	1
21	1015545	Shaft, Steering Column (Villager 4, TransPorter 4, and TransPorter 6 vehicles)	1	1
22	1016622	Column, Aluminum Steering (Villager 4, TransPorter 4, and TransPorter 6 vehicles)	1	1
23	1017315	Shaft, Steering Column (Villager 6 and Villager 8 vehicles)	1	1
24	1017314	Column, Aluminum Steering (Villager 6 and Villager 8 vehicles)	1	1
25	1017317	Cover, Steering Column	1	1
26	1016156	Wheel, Steering	1	1
27	1017273	Nut, Nylon Lock, 5/8-18	1	1
28	1016219	Assembly, Scorecard Plate (includes items 29 - 32)	1	1
29	1012565	Screw, Round-Head, #12-14 x 1	2	2
30	1012566	Spring, Tapered Compression	2	2
31	1016214	Grip, Pencil	1	1
32	1016154	Clip, Scorecard	1	1
33	1011578	Washer, Flat, Type B, 5/16 (Villager 6 and Villager 8 vehicles)	1	1
	1014216	Kit, Steering Column Rebuild (not shown)	A/R	A/R

5
G
E

5
G
E

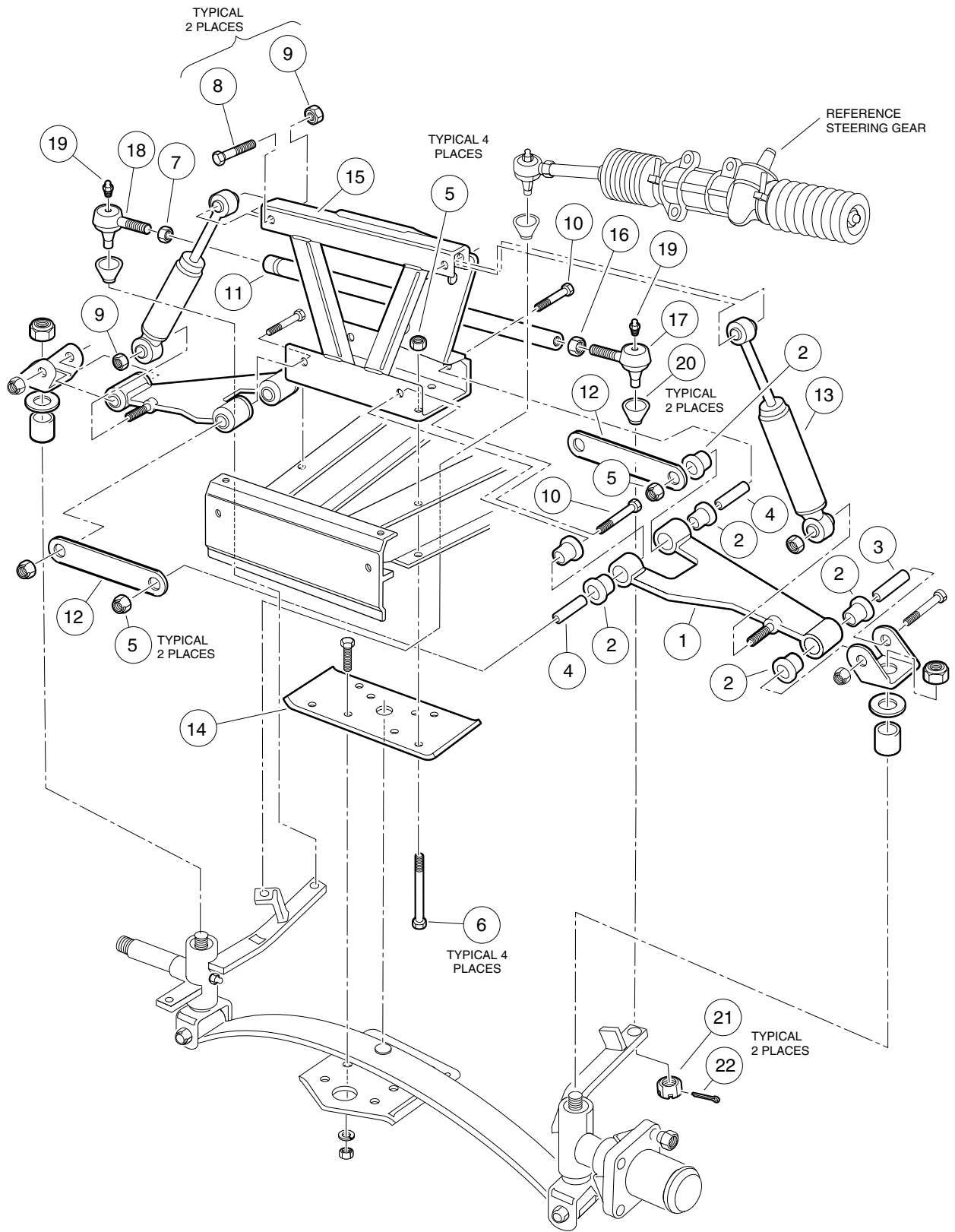


STEERING GEAR ASSEMBLY

ITEM	PART NO.	DESCRIPTION	QTY GAS	QTY ELEC
		1 2 3 4		
	101878302	Assembly, Steering Gear Box (includes items 1 - 20)	1	1
1	1013035	Seal, Dust, Passenger-Side	1	1
2	8990	Tie, Wire	2	2
3	101880201	Assembly, Inner Ball Joint	1	1
4	101880301	Washer, Tab	1	1
5	N/A	Box, Steering Gear	1	1
6	N/A	Bearing, Lower Pinion	1	1
7	N/A	Pinion, Steering	1	1
8	101879401	Bearing, Upper Pinion	1	1
9	101879901	Ring, C-Type Stop	1	1
10	1013051	Ring, Snap	1	1
11	1013052	Seal, Dust, Steering Pinion	1	1
12	101879701	Guide, Steering Rack	1	1
13	101879801	Spring, Yoke	1	1
14	1013044	Nut, Lock, Rack Screw	1	1
15	N/A	Screw, Rack Guide	1	1
16	N/A	Rack, Steering	1	1
17	101879501	Washer, Stop	1	1
18	101879601	Ring, C-Type Stop	1	1
19	101880001	Seal, Dust, Driver-Side	1	1
20	101880101	Ring, Retaining	1	1
21	1035	Pin, Cotter, 3/32 x 1	1	1
22	7540	Ball Joint, Left-Hand Thread (includes items 23, 24 and 25)	1	1
23	1015597	Fitting, Thread-Forming Grease, 1/4-28	1	1
24	7602	Nut, Hex Slotted, 3/8-24	1	1
25	1011930	Boot, Dust	1	1
26	7555	Nut, Hex, Left-Hand Thread, 1/2-20	1	1
27	1012467	Link, Rack and Pinion Drag	1	1
28	1013042	Nut, Hex, M12 x 1.75	1	1
29	1624	Screw, Hex-Head Cap, 3/8-16 x 1-1/2	3	3
30	334	Washer, Flat, 3/8	3	3
31	8754	Nut, Nylon Lock, 3/8-16	3	3

5
G
E

5
G
E

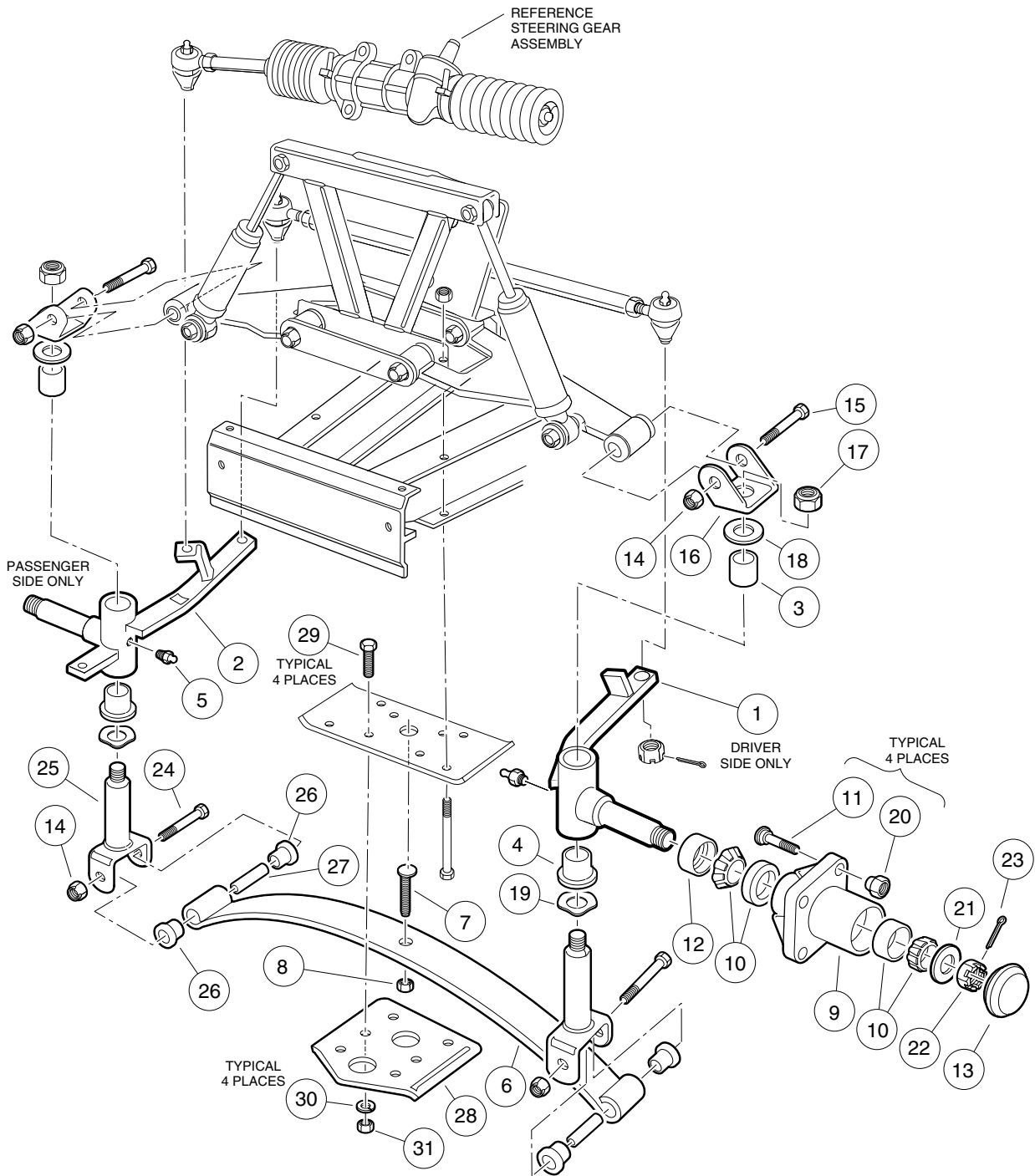


FRONT SUSPENSION, UPPER – VILLAGER 4

ITEM	PART NO.	DESCRIPTION	QTY GAS	QTY ELEC
		1 2 3 4		
1	1016353	Assembly, Delta A-Plate (includes items 2, 3 and 4)	2	2
2	1016346	Bushing, Urethane	6	6
3	1016350	Sleeve, Delta Outer	1	1
4	1016349	Sleeve, Delta Inner	2	2
5	8754	Nut, Nylon Lock, 3/8-16	11	11
6	101870501	Screw, Hex-Head Cap, 3/8-16 x 4-3/4	4	4
7	1308	Nut, Hex, 1/2-20	1	1
8	8861	Screw, Hex-Head Cap, 3/8-16 x 1-3/4	2	2
9	1010138	Nut, Dimpled Lock, 3/8-16	4	4
10	2402	Screw, Hex-Head Cap, 3/8-16 x 2-1/4	4	4
11	1010219	Rod, Tie	1	1
12	1017266	Strap, A-Plate	2	2
13	101870601	Shock Absorber, Front	2	2
14	1010124	Plate, Spring Mounting	1	1
15	1016385	Assembly, Delta Shock and Gear Support	1	1
16	7555	Nut, Hex, Left-Hand Thread, 1/2-20	1	1
17	7540	Ball Joint, Left-Hand Thread (includes items 19 - 21)	1	1
18	7539	Ball Joint (includes items 19 - 21)	1	1
19	1015597	Fitting, Thread-Forming Grease, 1/4-28	1	1
20	1011930	Seal, Dust	1	1
21	7602	Nut, Slotted Hex, 3/8-24	1	1
22	1035	Pin, Cotter, 3/32 x 1	2	2

5
G
E

**5
G
E**

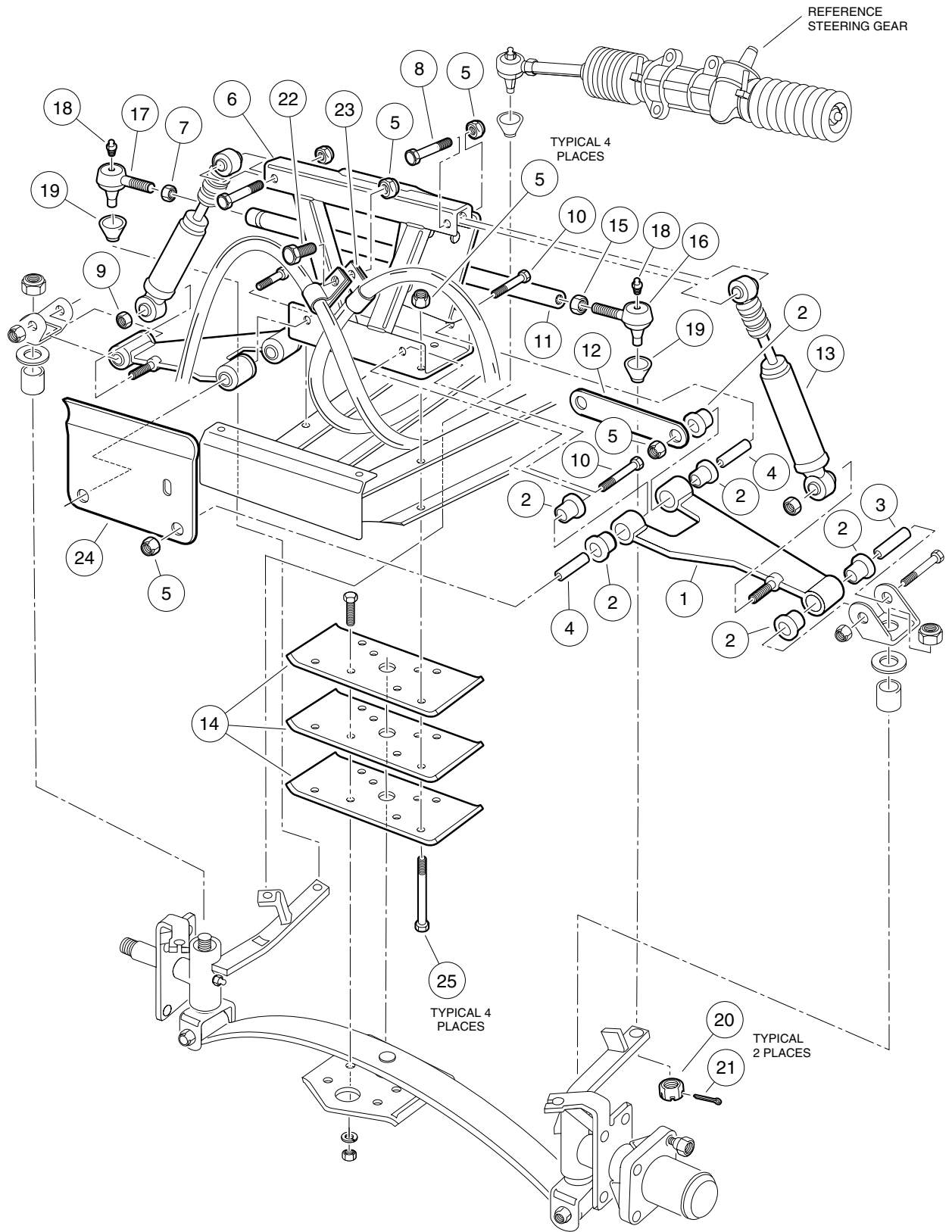


FRONT SUSPENSION, LOWER – VILLAGER 4

ITEM	PART NO.	DESCRIPTION	QTY GAS	QTY ELEC
		1 2 3 4		
1	101876901	Assembly, Spindle, Driver-Side (includes items 3, 4 and 5)	1	1
2	101877001	Assembly, Spindle, Passenger-Side (includes items 3, 4 and 5)	1	1
3	8067	Bushing, Bronze Spindle	1	1
4	7048	Bushing, Bronze	1	1
5	1015597	Fitting, Grease, 1/4-28	1	1
6	1012030	Spring, Tapered Leaf	1	1
7	8745	Screw, Eccentric Adjustment	1	1
8	706	Nut, Hex, 3/8-16	1	1
9	1011892	Assembly, Hub (includes items 10 - 13)	2	2
10	1011393	Package, Hub Bearing	2	2
11	1011304	Stud, Lug, 1/2-20	4	4
12	1013135	Seal, Double Lip	1	1
13	1011887	Cover, Dust	1	1
14	8754	Nut, Nylon Lock, 3/8-16	4	4
15	1016387	Screw, Hex-Head Cap, 3/8-16 x 2-3/4	2	2
16	1016384	Clevis, Upper Delta	2	2
17	101903101	Nut, Nylon Lock, 1/2-20	2	2
18	1010150	Bearing, Thrust	2	2
19	1016389	Washer, Kingpin Wave	2	2
20	1010984	Nut, Lug	8	8
21	1010005	Washer, Flat, 3/4	2	2
22	7840	Nut, Hex Slotted, 3/4-16	2	2
23	7910	Pin, Cotter, 5/32 x 1	2	2
24	8755	Screw, Hex-Head Cap, 3/8-16 x 3-3/8	2	2
25	1016386	Kingpin	2	2
26	1015583	Bushing, Urethane	4	4
27	1012303	Bushing, Steel	2	2
28	1014276	Plate, Front Spring Retainer	1	1
29	1010177	Screw, Hex-Head Cap, 3/8-16 x 2	4	4
30	357	Washer, Lock, 3/8	4	4
31	706	Nut, Hex, 3/8-16	4	4

5
G
E

5
G
E

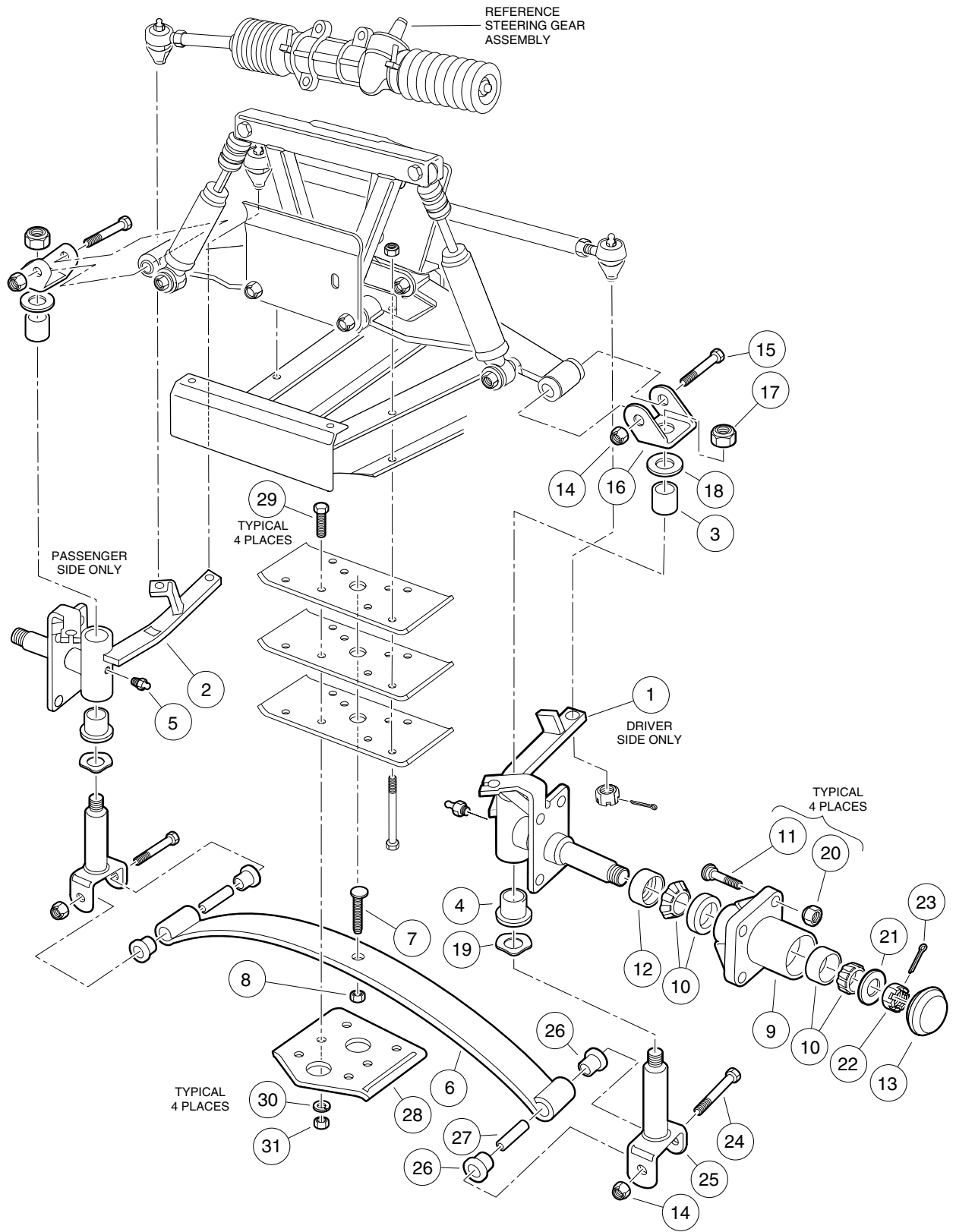


FRONT SUSPENSION, UPPER – VILLAGER 6, VILLAGER 8, TRANSPORTER 4, AND TRANSPORTER 6

ITEM	PART NO.	DESCRIPTION	QTY GAS	QTY ELEC
		1 2 3 4		
1	1016353	Assembly, Delta A-Plate (includes items 2, 3 and 4)	2	2
2	1016346	Bushing, Urethane	6	6
3	1016350	Sleeve, Delta Outer	1	1
4	1016349	Sleeve, Delta Inner	2	2
5	8754	Nut, Nylon Lock, 3/8-16	13	13
6	1016385	Assembly, Delta Shock and Gear Support	1	1
7	1308	Nut, Hex, 1/2-20	1	1
8	8861	Screw, Hex-Head Cap, 3/8-16 x 1-3/4	2	2
9	1010138	Nut, Dimpled Lock, 3/8-16	2	2
10	2402	Screw, Hex-Head Cap, 3/8-16 x 2-1/4	4	4
11	1010219	Rod, Tie	1	1
12	1017266	Strap, A-Plate	2	2
13	101870601	Shock Absorber, Front	2	2
14	1010124*	Plate, Spring Mounting	1	*
15	7555	Nut, Hex, Left-Hand Thread, 1/2-20	1	1
16	7540	Ball Joint, Left-Hand Thread (includes items 18 - 20)	1	1
17	7539	Ball Joint (includes items 18 - 20)	1	1
18	1015597	Fitting, Thread-Forming Grease, 1/4-28	1	1
19	1011930	Seal, Dust	1	1
20	7602	Nut, Slotted Hex, 3/8-24	1	1
21	1035	Pin, Cotter, 3/32 x 1	2	2
22	320	Screw, Hex-Head Cap, 3/8-16 x 1	1	1
23	101935301	Clamp, Brake Cable (part of brake cable assembly)	2	2
24	101955001	Bracket, Brake Cable Guide	1	1
25	101870501	Screw, Hex-Head Cap, 3/8-16 x 4-3/4	4	4
		* Villager electric vehicles use a quantity of 1. TransPorter electric vehicles use a quantity of 3.		

5
G
E

5
G
E

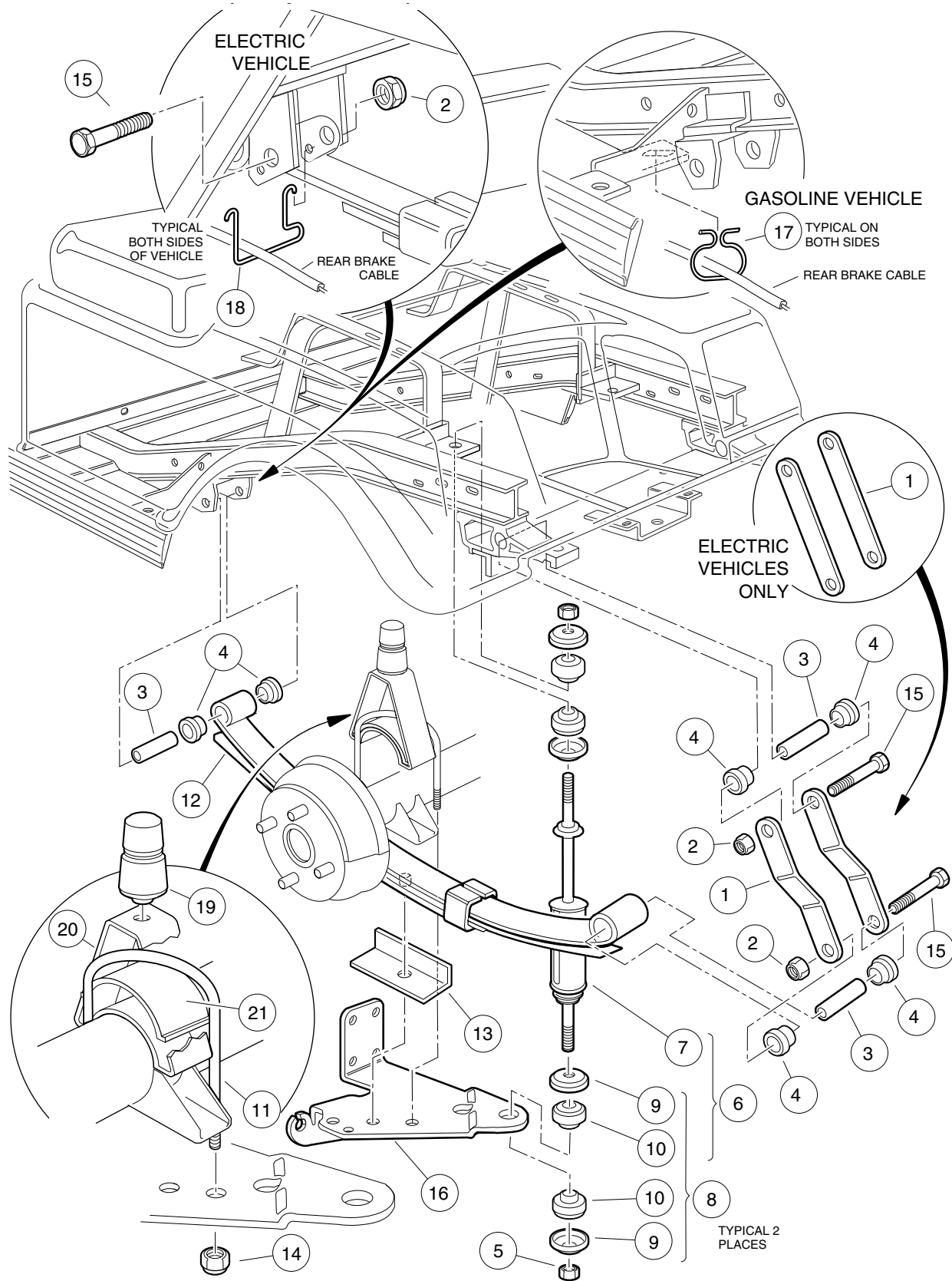


FRONT SUSPENSION, LOWER – VILLAGER 6, VILLAGER 8, TRANSPORTER 4, AND TRANSPORTER 6

ITEM	PART NO.	DESCRIPTION	QTY GAS	QTY ELEC
		1 2 3 4		
1	101876901	Assembly, Spindle, Driver-Side (includes items 3, 4 and 5)	1	1
2	101877001	Assembly, Spindle, Passenger-Side (includes items 3, 4 and 5)	1	1
3	8067	Bushing, Bronze Spindle	1	1
4	7048	Bushing, Bronze	1	1
5	1015597	Fitting, Grease, 1/4-28	1	1
6	1012030	Spring, Tapered Leaf (1-leaf) (TransPorter electric vehicles)		1
6	102004001	Spring, Tapered Leaf (2-leaf) (all Villager 6 vehicles and TransPorter gasoline vehicles)	1	1
6	102197901	Spring, Tapered Leaf (3-leaf) (all Villager 8 vehicles)	1	1
7	8745	Screw, Eccentric Adjustment	1	1
8	706	Nut, Hex, 3/8-16	1	1
9	1011892	Assembly, Hub (includes items 10 - 13)	2	2
10	1011393	Package, Hub Bearing	2	2
11	1011304	Stud, Lug, 1/2-20	4	4
12	1013135	Seal, Double Lip	1	1
13	1011887	Cover, Dust	1	1
14	8754	Nut, Nylon Lock, 3/8-16	4	4
15	1016387	Screw, Hex-Head Cap, 3/8-16 x 2-3/4	2	2
16	1016384	Clevis, Upper Delta	2	2
17	101903101	Nut, Nylon Lock, 1/2-20	2	2
18	1010150	Bearing, Thrust	2	2
19	1016389	Washer, Kingpin Wave	2	2
20	1010984	Nut, Lug	8	8
21	1010005	Washer, Flat, 3/4	2	2
22	7840	Nut, Hex Slotted, 3/4-16	2	2
23	7910	Pin, Cotter, 5/32 x 1	2	2
24	8755	Screw, Hex-Head Cap, 3/8-16 x 3-3/8	2	2
25	1016386	Kingpin	2	2
26	1015583	Bushing, Urethane	4	4
27	1012303	Bushing, Steel	2	2
28	1014276	Plate, Front Spring Retainer	1	1
29	1010177	Screw, Hex-Head Cap, 3/8-16 x 2	4	4
30	357	Washer, Lock, 3/8	4	4
31	706	Nut, Hex, 3/8-16	4	4

5
G
E

**5
G
E**

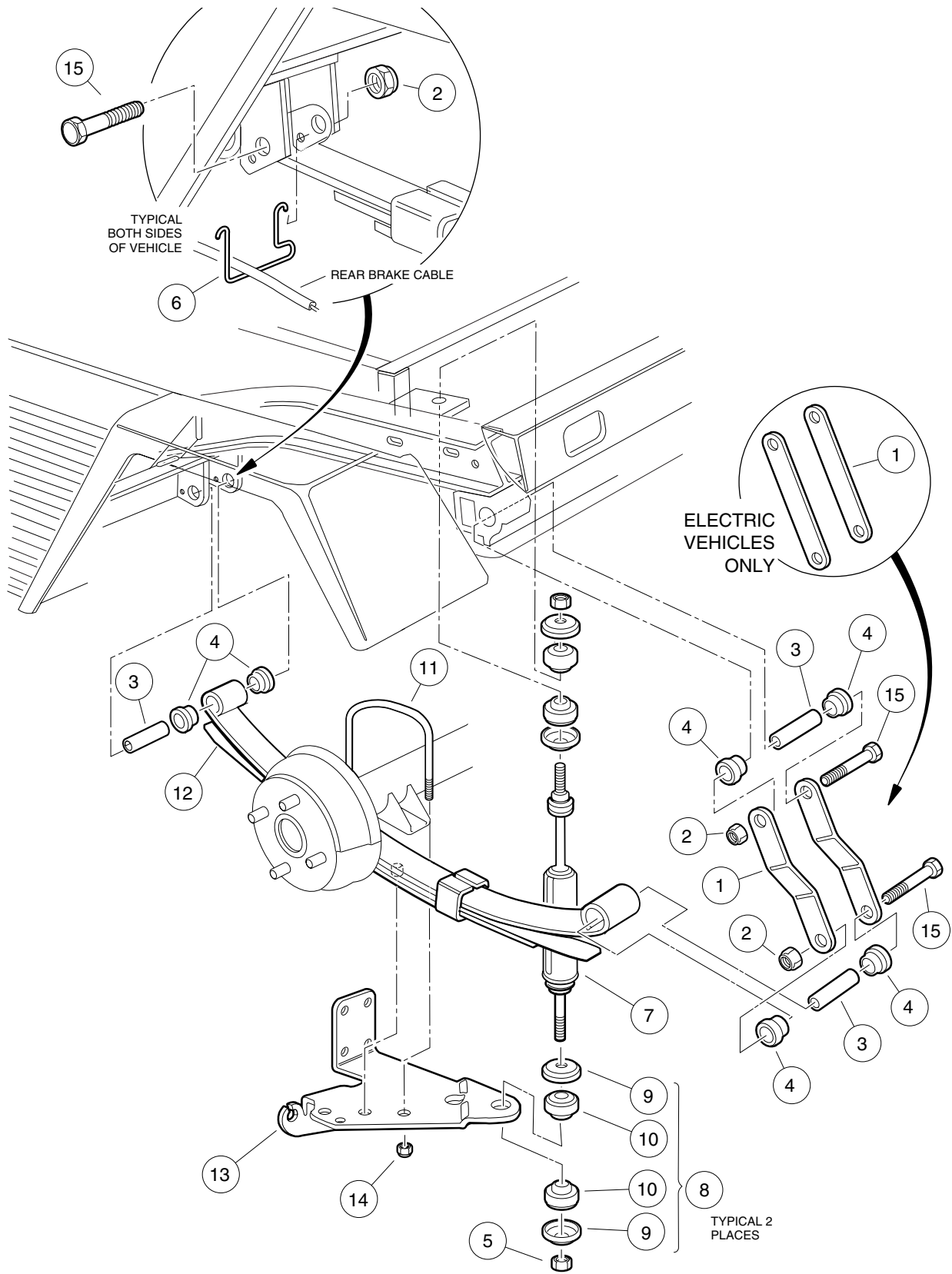


REAR SUSPENSION – VILLAGER 4

ITEM	PART NO.	DESCRIPTION	QTY GAS	QTY ELEC
		1 2 3 4		
1	7569	Shackle, Rear Spring (electric vehicle only)		4
1	1012304	Shackle, Rear Spring (gasoline vehicle only)	4	
2	8754	Nut, Nylon Lock, 3/8-16	6	6
3	1012303	Bushing, Steel	6	6
4	1015583	Bushing, Urethane	12	12
5	1010145	Nut, UNF Hex, 3/8-24	4	4
6	1013164	Kit, Shock Absorber (includes items 7, 9 and 10)	1	1
7	1014236	Shock Absorber, Rear	2	2
8	1011415	Kit, Shock Absorber Cushion (includes 2 each of items 9 and 10)	4	4
9	N/A	Retainer, Shock Absorber Cushion	8	8
10	N/A	Cushion, Shock Absorber	8	8
11	1014902	U-Bolt	2	2
12	1014675	Spring, Rear Leaf	2	2
13	1014573	Retainer, Spring	2	2
14	1014555	Nut, Nylon Lock, 7/16-24	4	4
15	8755	Screw, Hex-Head Cap, 3/8-16 x 3-3/8	6	6
16	1012182	Pad, Spring, Driver-Side	1	1
16	1012181	Pad, Spring, Passenger-Side	1	1
17	101900801	Hanger, Brake Cable (gasoline vehicle only)	2	
18	1013207	Hanger, Brake Cable (electric vehicle only)		2
19	1017235	Bumper, Jounce	2	2
20	101454602	Mount, Bumper (gasoline vehicle only)	2	
20	101454902	Mount, Bumper (electric vehicle only)		2
21	1014901	Spacer, Overload Bumper	2	2

5
G
E

5
G
E

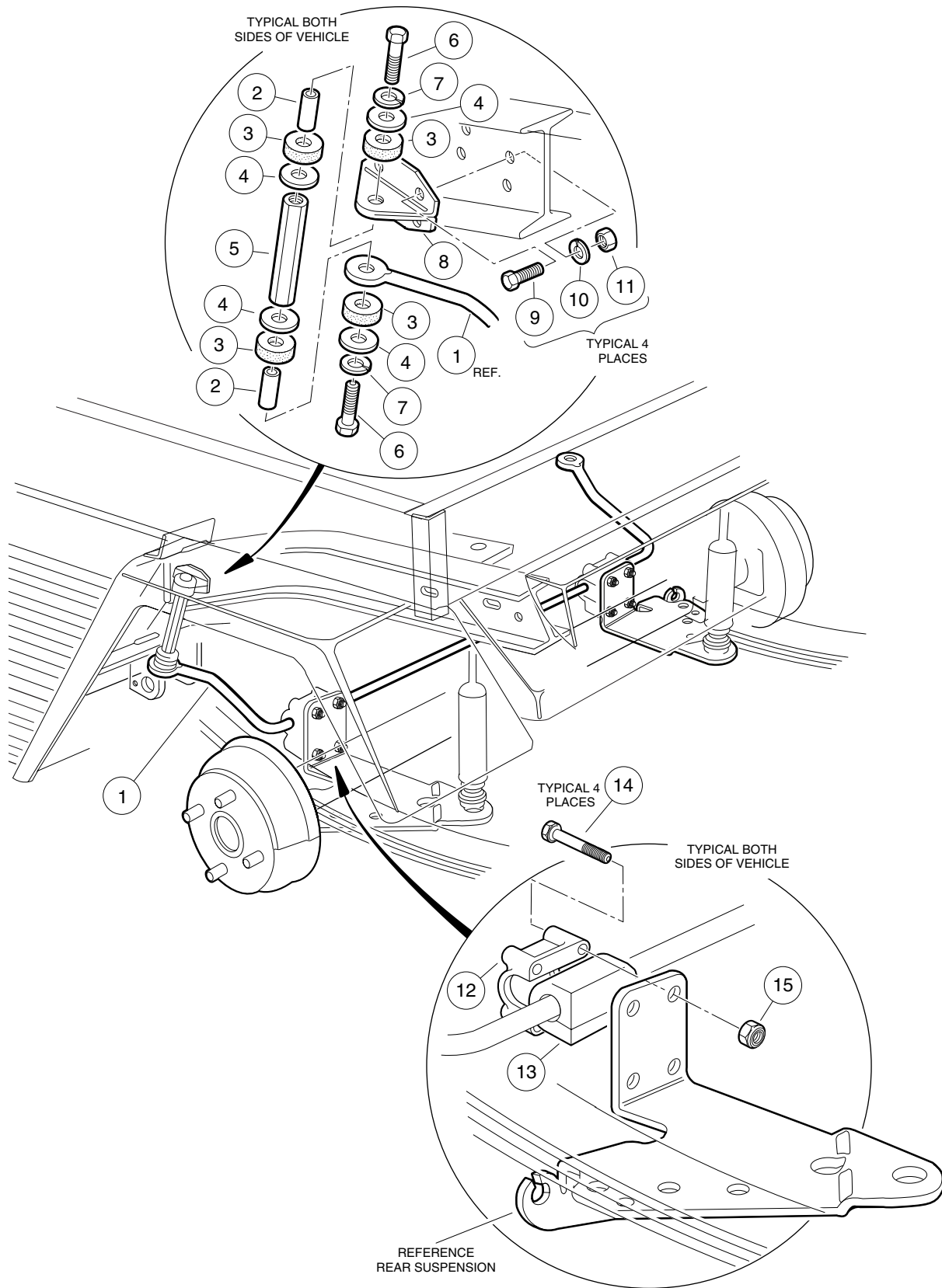


REAR SUSPENSION – VILLAGER 6, VILLAGER 8, TRANSPORTER 4, AND TRANSPORTER 6

ITEM	PART NO.	DESCRIPTION	QTY GAS	QTY ELEC
		1 2 3 4		
1	7569	Shackle, Rear Spring (electric vehicle only)		4
1	1012304	Shackle, Rear Spring (gasoline vehicle only)	4	
2	8754	Nut, Nylon Lock, 3/8-16	6	6
3	1012303	Bushing, Steel	6	6
4	1015583	Bushing, Urethane	12	12
5	1010145	Nut, UNF Hex, 3/8-24	4	4
6	1013207	Hanger, Brake Cable	2	2
7	101975101	Shock Absorber, Rear	2	2
8	1011415	Kit, Shock Absorber Cushion (includes 2 each of items 9 and 10)	4	4
9	N/A	Retainer, Shock Absorber Cushion	8	8
10	N/A	Cushion, Shock Absorber	8	8
11	1014902	U-Bolt	2	2
12	101975201	Spring, Rear Leaf	2	2
13	101926501	Pad, Spring, Driver-Side	1	1
13	101929401	Pad, Spring, Passenger-Side	1	1
14	1014555	Nut, Nylon Lock, 7/16-24	4	4
15	8755	Screw, Hex-Head Cap, 3/8-16 x 3-3/8	6	6

5
G
E

5
G
E



STABILIZER BAR – GASOLINE VILLAGER 6, VILLAGER 8, TRANSPORTER 4, AND TRANSPORTER 6

ITEM	PART NO.	DESCRIPTION	QTY GAS	QTY ELEC
		1 2 3 4		
1	1015760	Bar, Stabilizer, 3/4 Diameter	1	
2	1015457	Spacer	4	
3	1015453	Mount, Compression	8	
4	808	Washer, Flat, 3/8	8	
5	1016814	Link, Stabilizer Bar	2	
6	8861	Screw, Hex-Head Cap, 3/8-16 x 1-3/4	4	
7	357	Washer, Lock, 3/8	4	
8	1016813	Bracket, Stabilizer Bar Mounting	2	
9	7173	Screw, Hex-Head Cap, 5/16-18 x 3/4	8	
10	7174	Washer, Lock, 5/16	8	
11	1242	Nut, Hex, 5/16-18	8	
12	1015614	Support, Stabilizer Bar Bushing	2	
13	1015613	Bushing, Stabilizer Bar	2	
14	7311	Screw, Hex-Head Cap, 1/4-20 x 2	8	
15	8233	Nut, Nylon Lock, 1/4-20	8	

5
G
E

5

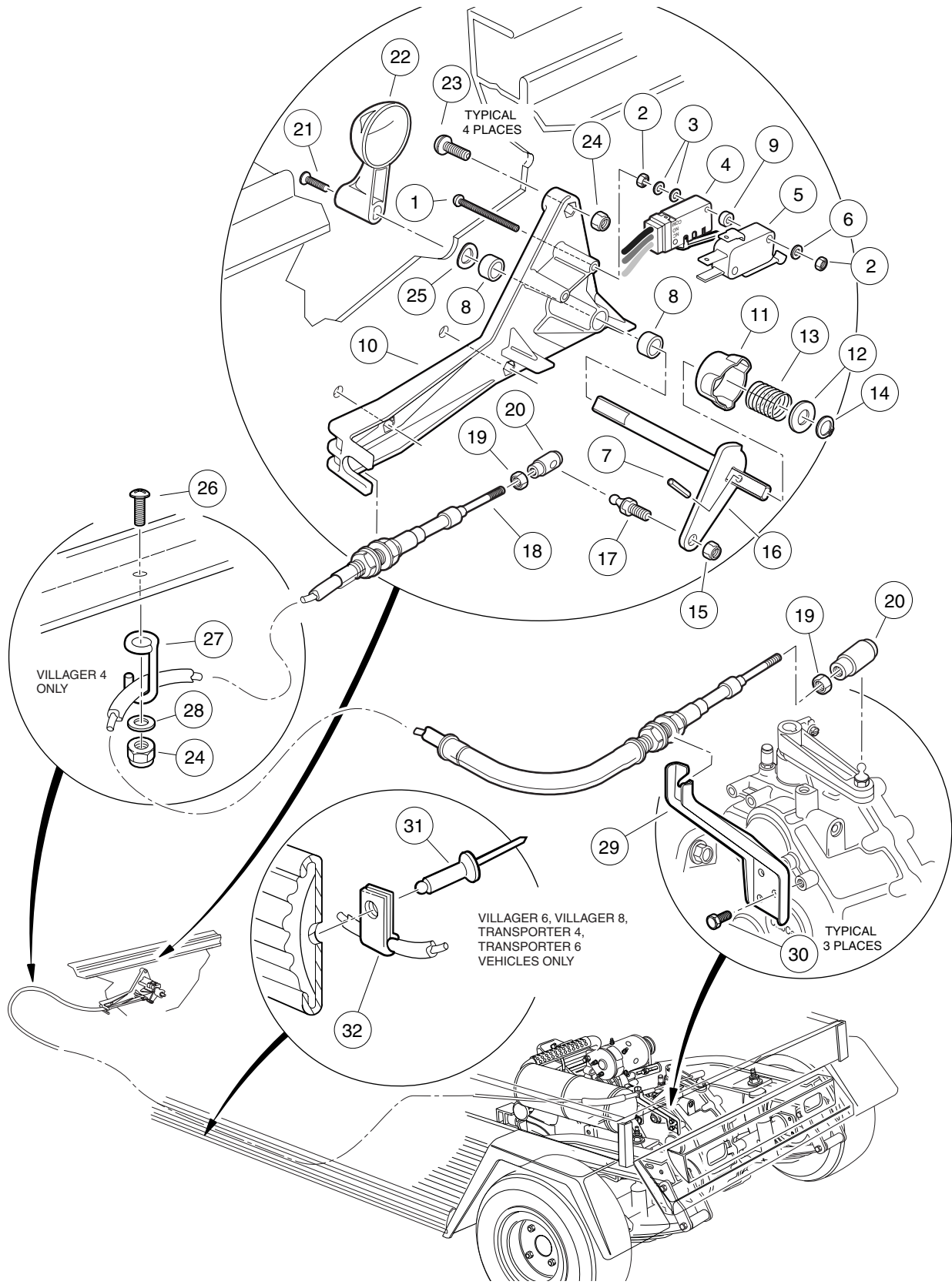
G

E

ELECTRICAL SYSTEM – GASOLINE VEHICLE

6

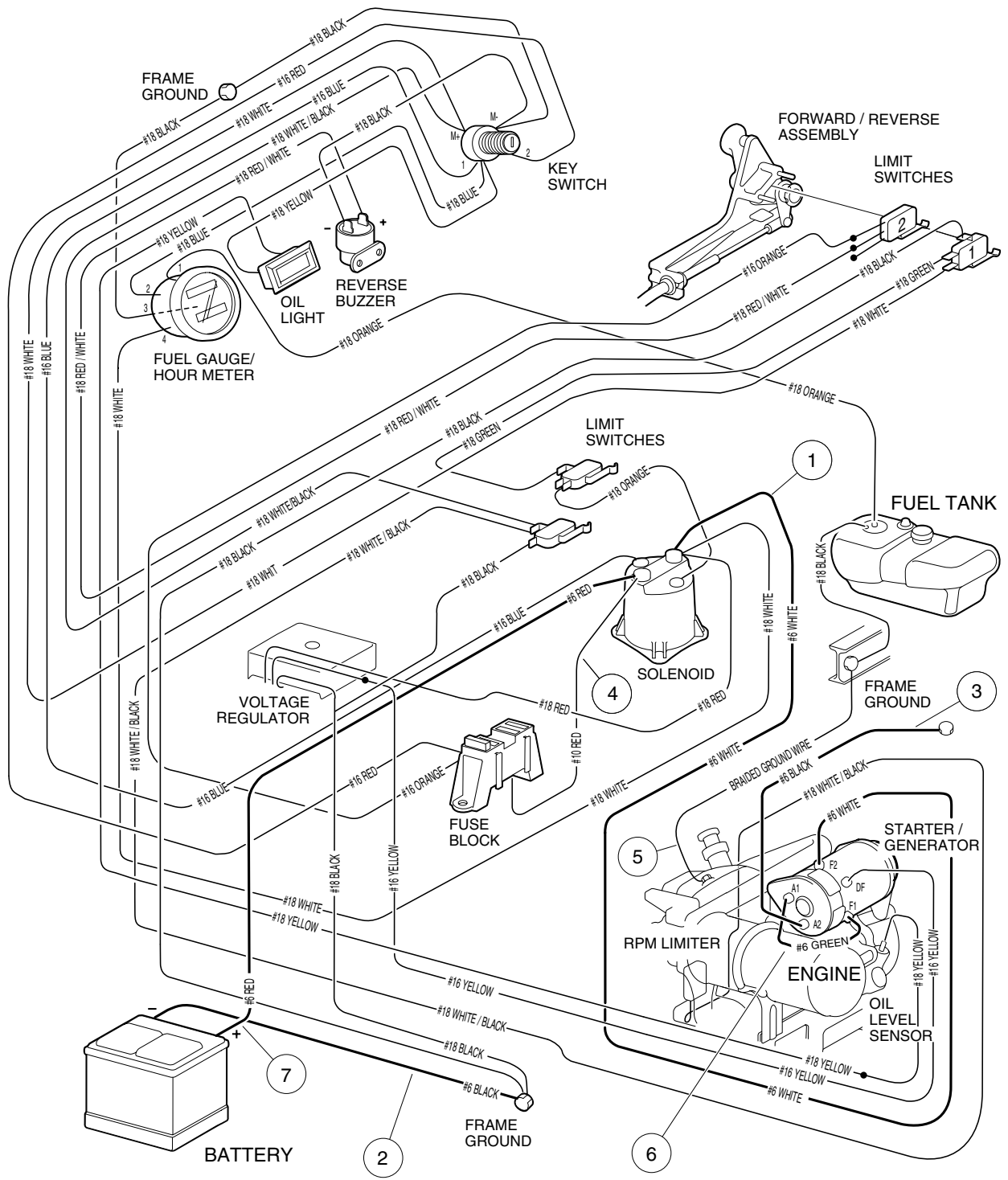
G



FORWARD/REVERSE SHIFTER ASSEMBLY – GASOLINE VEHICLE

ITEM	PART NO.	DESCRIPTION	QTY
		1 2 3 4	
	1016947	Assembly, Forward/Reverse Shifter (includes items 1 - 17)	1
1	1012594	Screw, Machine, #4-40 x 1-1/2	2
2	8057	Nut, Hex-Head, #4-40	4
3	1012431	Washer, Flat, #4	4
4	101979101	Switch, Limit	1
5	1014807	Switch, Limit	1
6	8058	Washer, Lock, #4	2
7	1013591	Pin, Roll, 1/8	1
8	1014145	Bushing, Bronze	2
9	1014727	Washer, Nylon Flat, #4	2
10	1016342	Base, Forward/Reverse Shifter	1
11	1014089	Kit, Neutral Lock-Out Cam (includes item 12)	1
12	1014065	Washer, Flat	1
13	1013590	Spring, Forward/Reverse Cam	1
14	1013589	Ring, Retaining	1
15	8717	Nut, Nylon Lock, 1/4-28	1
16	1013587	Weldment, Forward/Reverse Bell Crank	1
17	1010954	Stud, Ball, 1/4-28 x 1/4	1
18	101951501	Cable, Transmission (includes items 19 and 20) (Villager 4)	1
18	101672701	Cable, Transmission (includes items 19 and 20) (Villager 6, TransPorter 4, and TransPorter 6)	1
18	101672702	Cable, Transmission (includes items 19 and 20) (Villager 8)	1
19	7893	Nut, Hex, #10-32	2
20	1012333	Joint, Ball	2
21	1015064	Screw, Oval Countersunk Machine, #8-32 x 5/8	1
22	1012987	Handle, Forward/Reverse Switch	1
23	8248	Screw, Phillips Truss-Head, 1/4-20 x 3/4	4
24	8233	Nut, Nylon Lock, 1/4-20	5
25	1016201	Washer, Wave, 3/8	1
26	8251	Screw, Phillips Head, 1/4-20 x 1 (Villager 4 only)	1
27	101855801	Retainer, Cable (Villager 4 only)	1
28	332	Washer, Flat, 1/4 (Villager 4 only)	1
29	102045901	Bracket, Transmission Cable Support	1
30	1012285	Screw, Thread-Rolling, 1/4-20 x 5/8	3
31	7973	Rivet, Pop, 3/16 (Villager 6, Villager 8, TransPorter 4, and TransPorter 6)	1
32	8455	Clamp (Villager 6, Villager 8, TransPorter 4, and TransPorter 6)	1

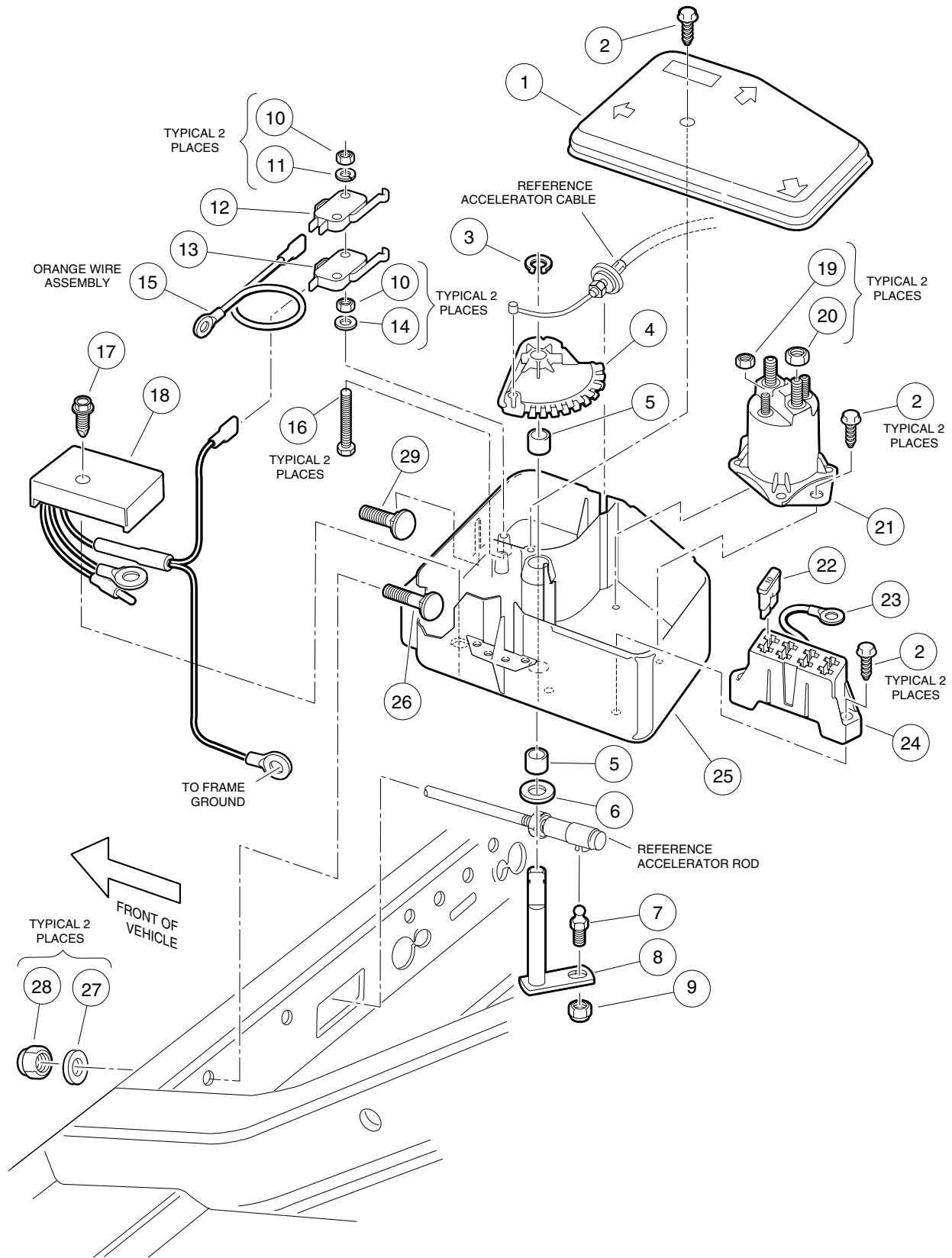
6
G



WIRING – GASOLINE VILLAGER 4

ITEM	PART NO.	DESCRIPTION	QTY
		1 2 3 4	
	101987402	Wire Harness Assembly (includes item 1)	1
1	1015769	Wire Assembly, #6 White	1
2	1012382	Wire Assembly, #6 Black	1
3	1015920	Wire Assembly, #6 Braided Ground	1
4	1015737	Wire Assembly, #10 Red (part of electrical component box)	1
5	1015332	Wire Assembly, #10 Braided Ground	1
6	101837301	Wire Assembly, #6 Green	1
7	1014119	Wire Assembly, #6 Red	1

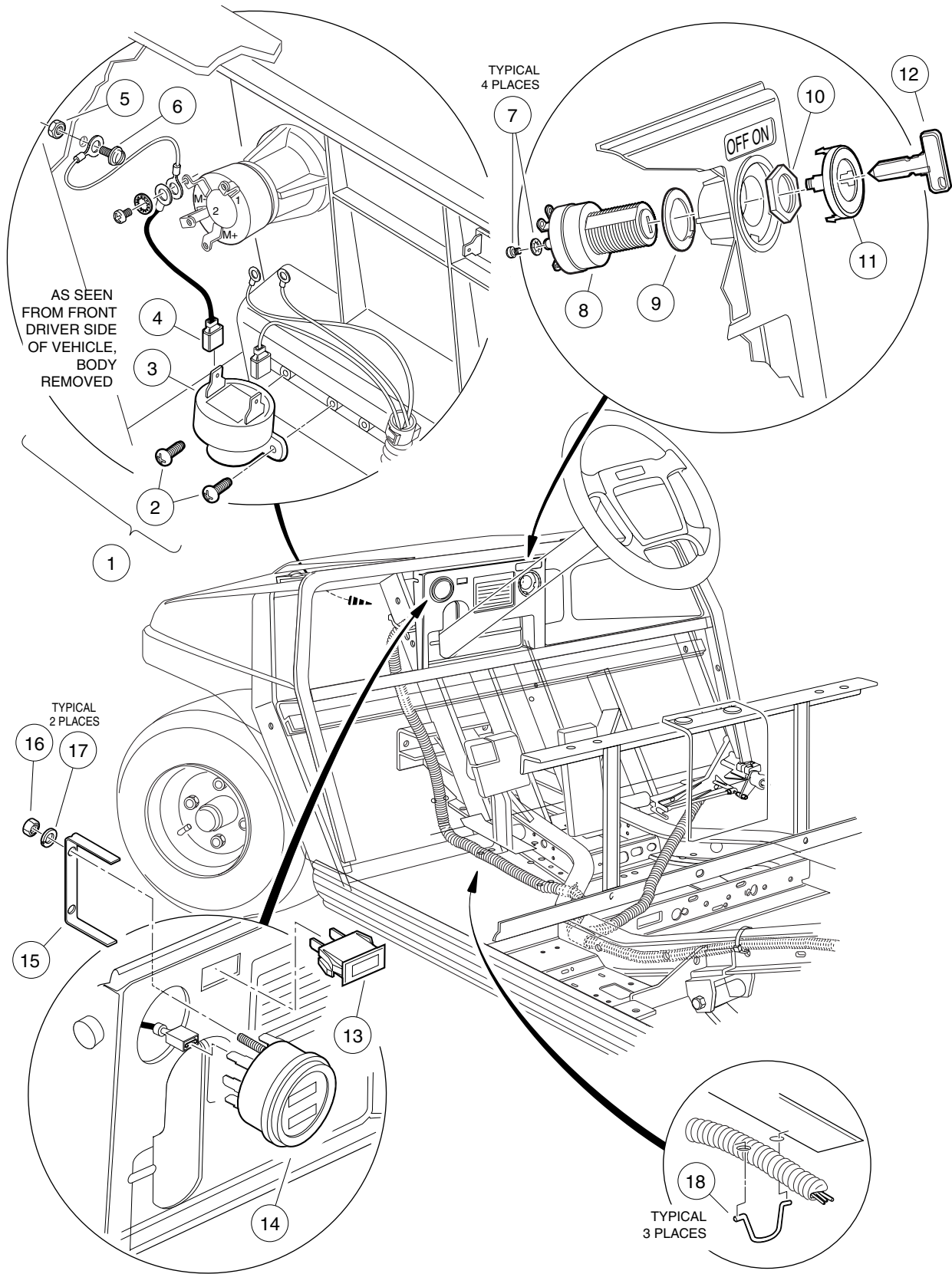
6
G



ELECTRICAL COMPONENT BOX – GASOLINE VILLAGER 4

ITEM	PART NO.	DESCRIPTION	QTY
		1 2 3 4	
	101992601	Box, Electrical Component, Complete (includes items 1 - 25)	1
1	1015372	Cover, Electrical Component Box	1
2	1015752	Screw, Hi-Lo, #12-16 x 5/8	5
3	1013589	Ring, Retaining	1
4	1015373	Cam, Electrical Box	1
5	1014145	Bushing, Bronze	2
6	1014065	Washer, Flat	1
7	1010954	Stud, Ball, 1/4-28	1
8	1015345	Assembly, Bell Crank and Shaft	1
9	8717	Nut, Nylon Lock, 1/4-28	1
10	8057	Nut, Hex, #4-40	4
11	8058	Washer, Lock, #4	2
12	1014807	Switch, Limit	1
13	1014808	Switch, Limit	1
14	1012431	Washer, Flat, #4	2
15	N/A	Wire Assembly, #16 Orange	1
16	1015878	Screw, Hex-Head Machine, #4-40 x 1-5/8	2
17	101856102	Screw, Hex Washer-Head Hi-Lo, 1/4-15 x 1-1/2	1
18	1015777	Assembly, Voltage Regulator	1
19	7893	Nut, Hex, #10-32	2
20	1242	Nut, Hex, 5/16-18	2
21	1013609	Solenoid, 12-Volt	1
22	1012295	Fuse, 10-Amp	1
23	1015737	Wire Assembly, #10 Red	1
24	1015741	Block, Fuse	1
25	1015371	Box, Electrical Component	1
26	1015405	Bolt, Carriage, 5/16-18 x 2	1
27	1241	Washer, Flat, 5/16	2
28	7473	Nut, Nylon Lock, 5/16-18	2
29	7818	Bolt, Carriage, 5/16-18 x 1-1/2	1

6
G



ELECTRICAL COMPONENTS, FRONT BODY – GASOLINE VILLAGER 4

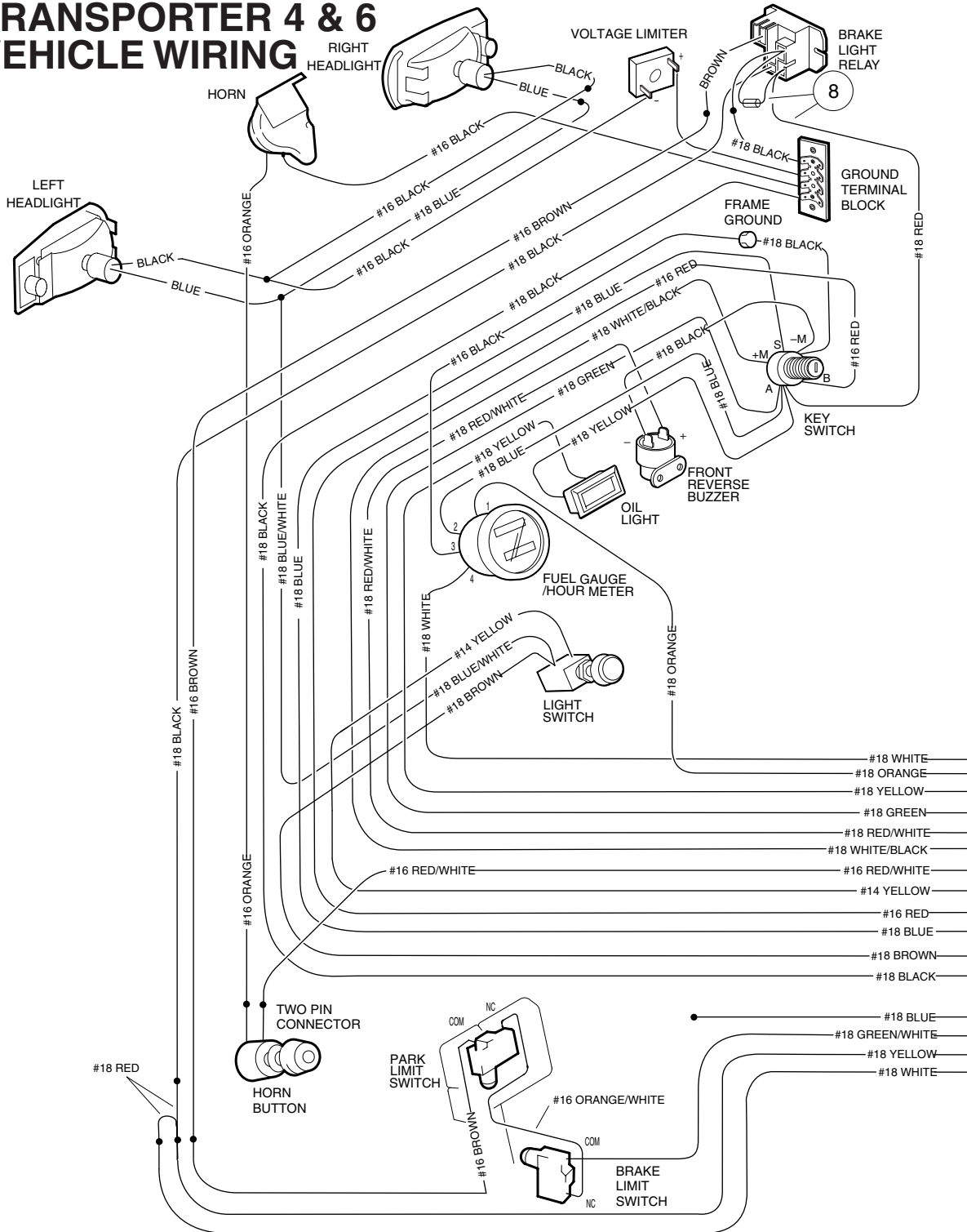
ITEM	PART NO.	DESCRIPTION	QTY
		1 2 3 4	
1	1016859	Kit, Reverse Buzzer (includes items 2 - 4)	1
2	1016849	Screw, Pan-Head Hi-Lo, #4-24 x 5/16	2
3	1016851	Buzzer, Reverse	1
4	N/A	Wire Assembly, #18 Black	1
5	1011229	Nut, K-Lock, #6-32	1
6	1015720	Screw, Hex Washer-Head, # 6-32 x 1/2	1
7	101830601	Assembly, Screw and Washer	4
8	101826301	Switch, Key	1
9	101851101	Washer, Key Switch	1
10	101830701	Nut, Key Switch	1
11	101834502	Cap, Key Switch	1
12	1012505	Key (pair)	1
13	1016630	Light, Low Oil Warning	1
14	101990701	Fuel Gauge/Hour Meter (includes item 15)	1
15	N/A	Bracket	1
16	101991101	Nut, M4 x .7	2
17	1012986	Washer, Lock, M4	2
18	101900901	Retainer, Harness	3

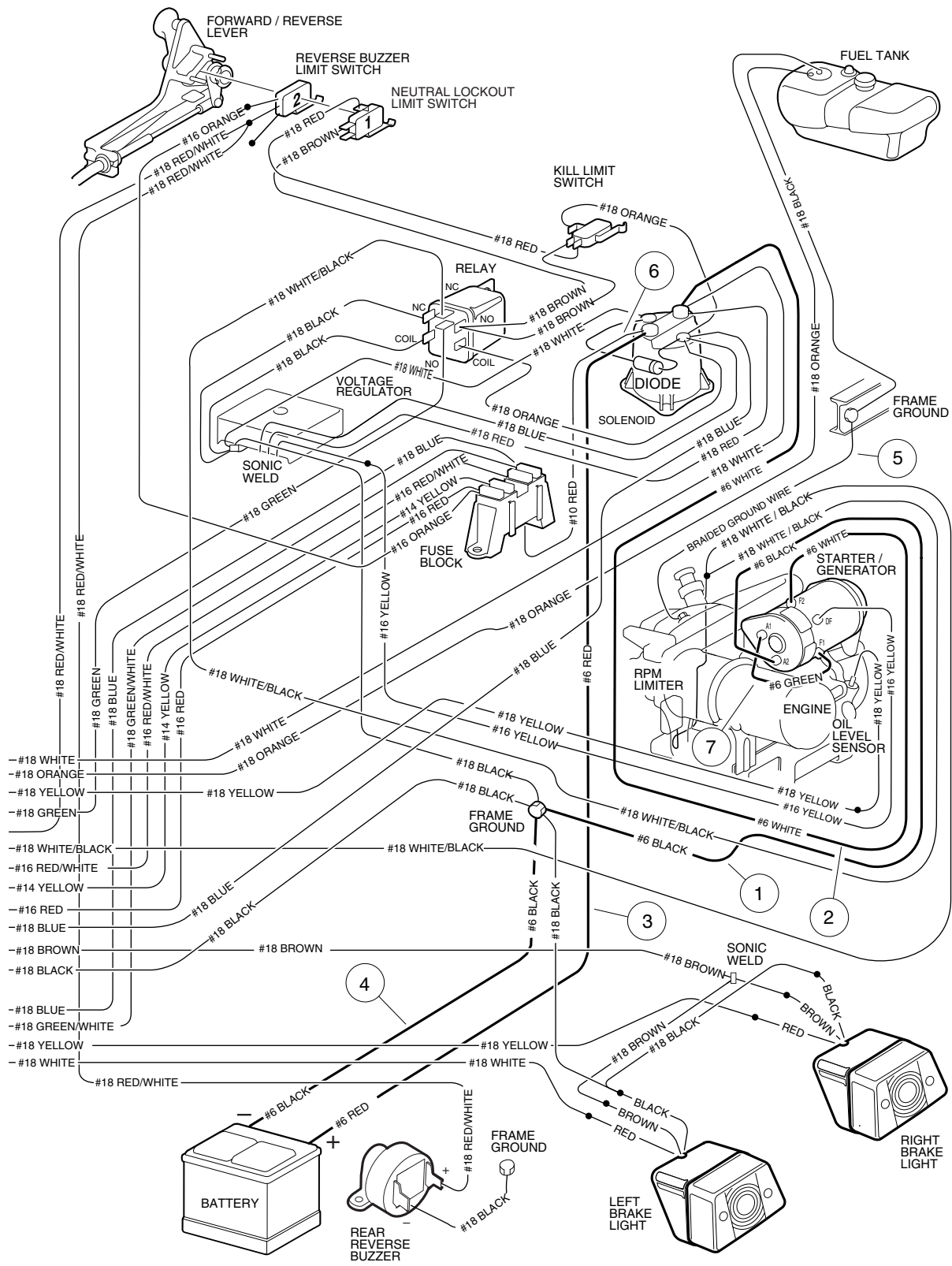
6
G

6

G

GASOLINE VILLAGER 6 & 8 TRANSPORTER 4 & 6 VEHICLE WIRING





6

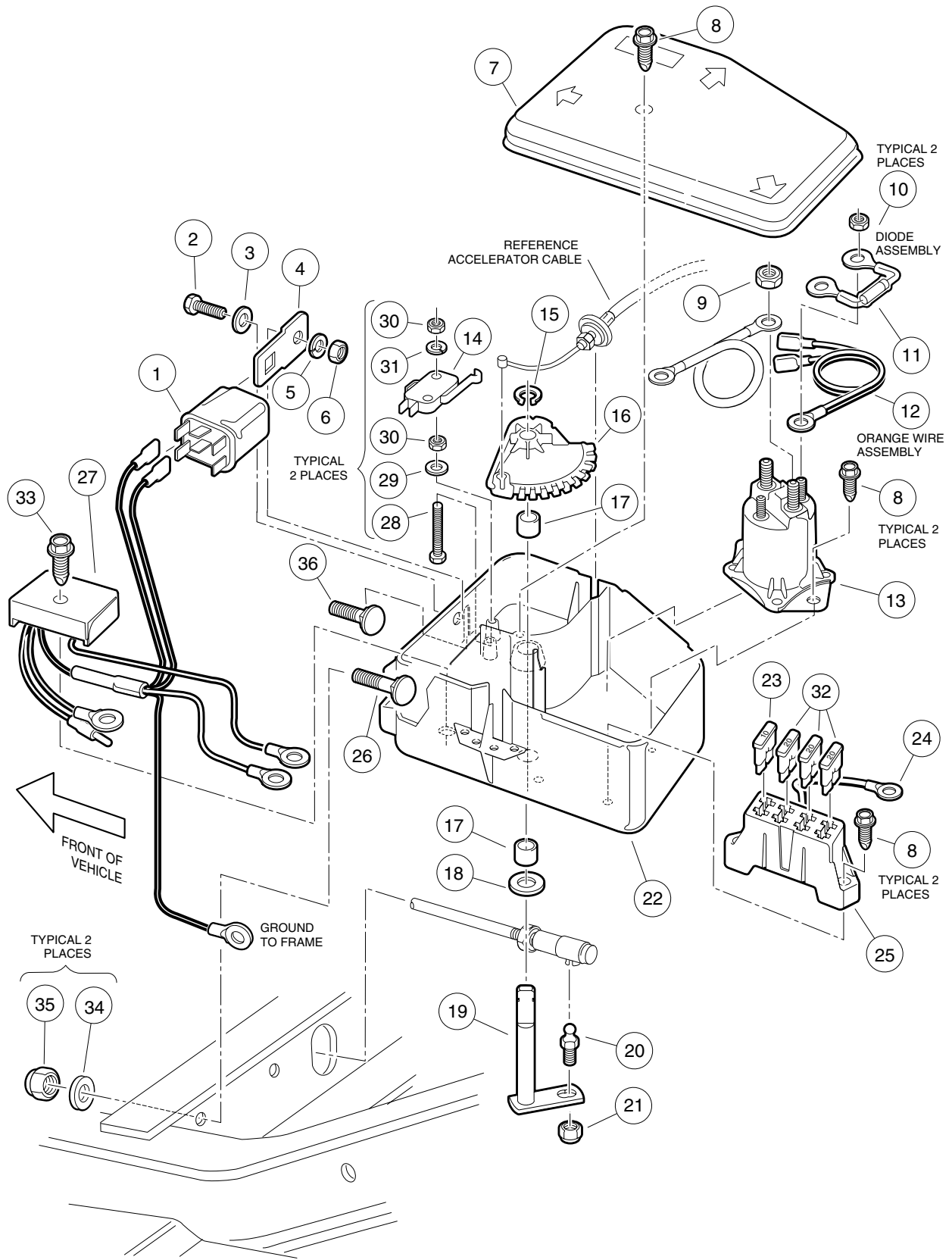
G

See previous two pages for wiring diagram.

WIRING – GASOLINE VILLAGER 6, VILLAGER 8, TRANSPORTER 4, AND TRANSPORTER 6

ITEM	PART NO.	DESCRIPTION	QTY
		1 2 3 4	
	101990402	Harness, Wire (Villager 6, TransPorter 4, and TransPorter 6 vehicles) (includes items 1 - 2)	1
	101990203	Harness, Wire (Villager 8 vehicles) (includes items 1 and 2)	1
1	1016380	Wire Assembly, #6 Black	1
2	1015769	Wire Assembly, #6 White	1
3	1014119	Wire Assembly, #6 Red	1
4	1012382	Wire Assembly, #6 Black	1
5	1015332	Wire Assembly, #10 Braided Ground Wire	1
6	1015737	Wire Assembly, #10 Red (part of electrical component box)	1
7	101837301	Wire Assembly, #6 Green	1
8	101914401	Assembly, Voltage Suppressor (includes #18 red and #18 blue)	1

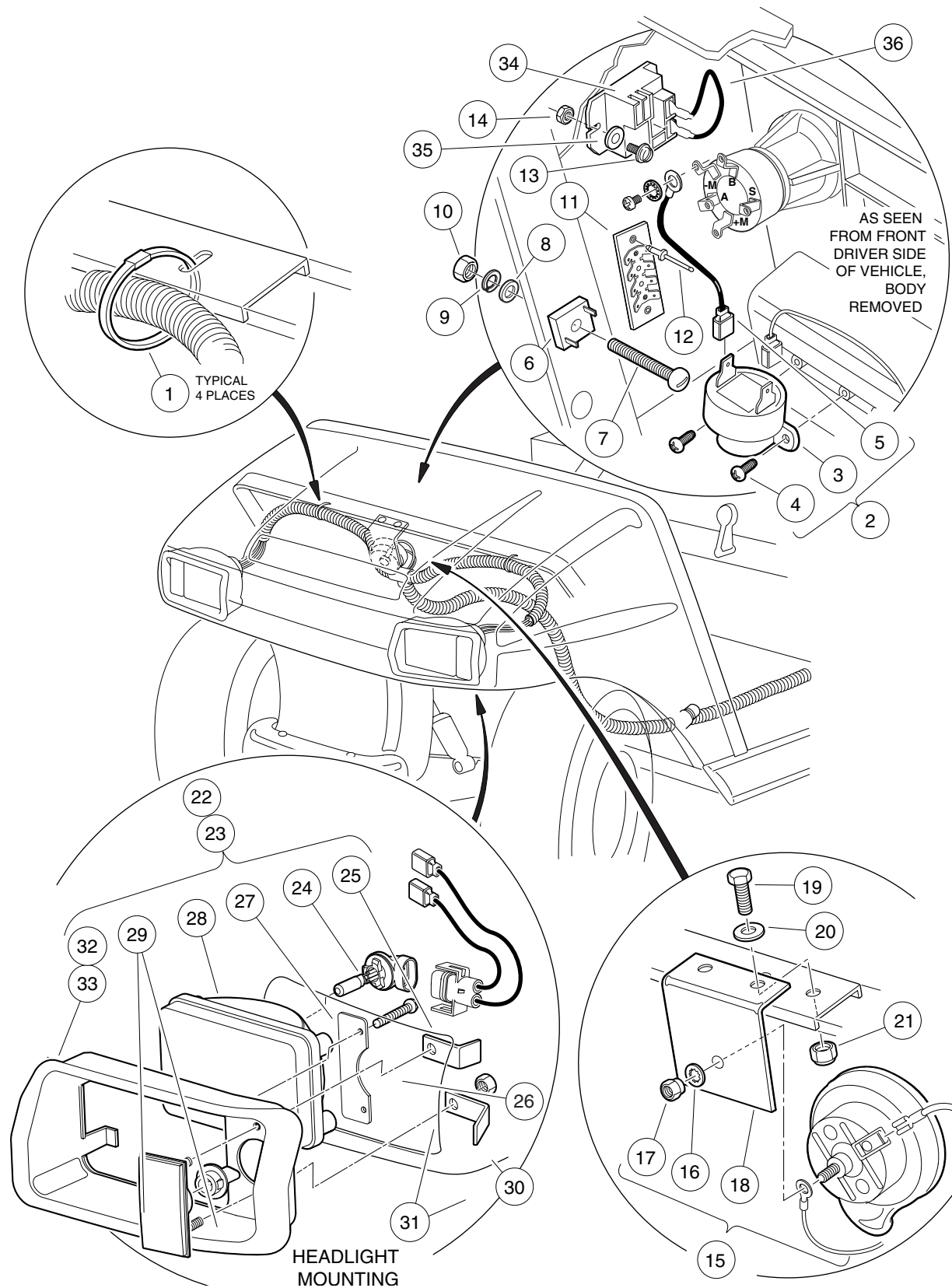
6
G



ELECTRICAL COMPONENT BOX – GASOLINE VILLAGER 6 AND 8, TRANSPORTER 4 AND 6

ITEM	PART NO.	DESCRIPTION	QTY
		1 2 3 4	
	101992701	Box, Electrical Component, Complete (includes items 1 - 31)	1
1	1017239	Relay	1
2	8450	Screw, Hex-Head Machine, #10-24 x 1/2	1
3	183	Washer, Flat, #10	1
4	1017243	Bracket, Relay Mounting	1
5	1016	Washer, Lock, #10	1
6	1017	Nut, Hex, #10-24	1
7	1015372	Cover, Electrical Component Box	1
8	1015752	Screw, Hi-Lo, #12-16 x 5/8	5
9	1242	Nut, Hex, 5/16-18	2
10	7893	Nut, Hex, #10-32	2
11	1014948	Assembly, Diode	1
12	N/A	Wire Assembly, #18 Orange	1
13	1013609	Solenoid	1
14	1014807	Switch, Limit	1
15	1013589	Ring, Retaining	1
16	1015373	Cam, Electrical Box	1
17	1014145	Bushing, Bronze	2
18	1014065	Washer, Flat	1
19	1015345	Assembly, Bell Crank and Shaft	1
20	1010954	Stud, Ball, 1/4-28	1
21	8717	Nut, Nylon Lock, 1/4-28	1
22	1016997	Box, Electrical Component	1
23	1012295	Fuse, 10-Amp	1
24	1015737	Wire Assembly, #10 Red	1
25	1015741	Block, Fuse	1
26	1015405	Bolt, Carriage, 5/16-18 x 2	1
27	1017238	Regulator, Voltage	1
28	1015878	Screw, Hex-Head Machine, #4-40 x 1-5/8	2
29	1012431	Washer, Flat, #4	2
30	8057	Nut, Hex, #4-40	4
31	8058	Washer, Lock, #4	2
32	1016423	Fuse, 20-Amp	3
33	101856102	Screw, Hex Washer-Head Hi-Lo, 1/4-15 x 1-1/2	1
34	1241	Washer, Flat, 5/16	2
35	7473	Nut, Nylon Lock, 5/16-18	2
36	7818	Bolt, Carriage, 5/16-18 x 1-1/2	1

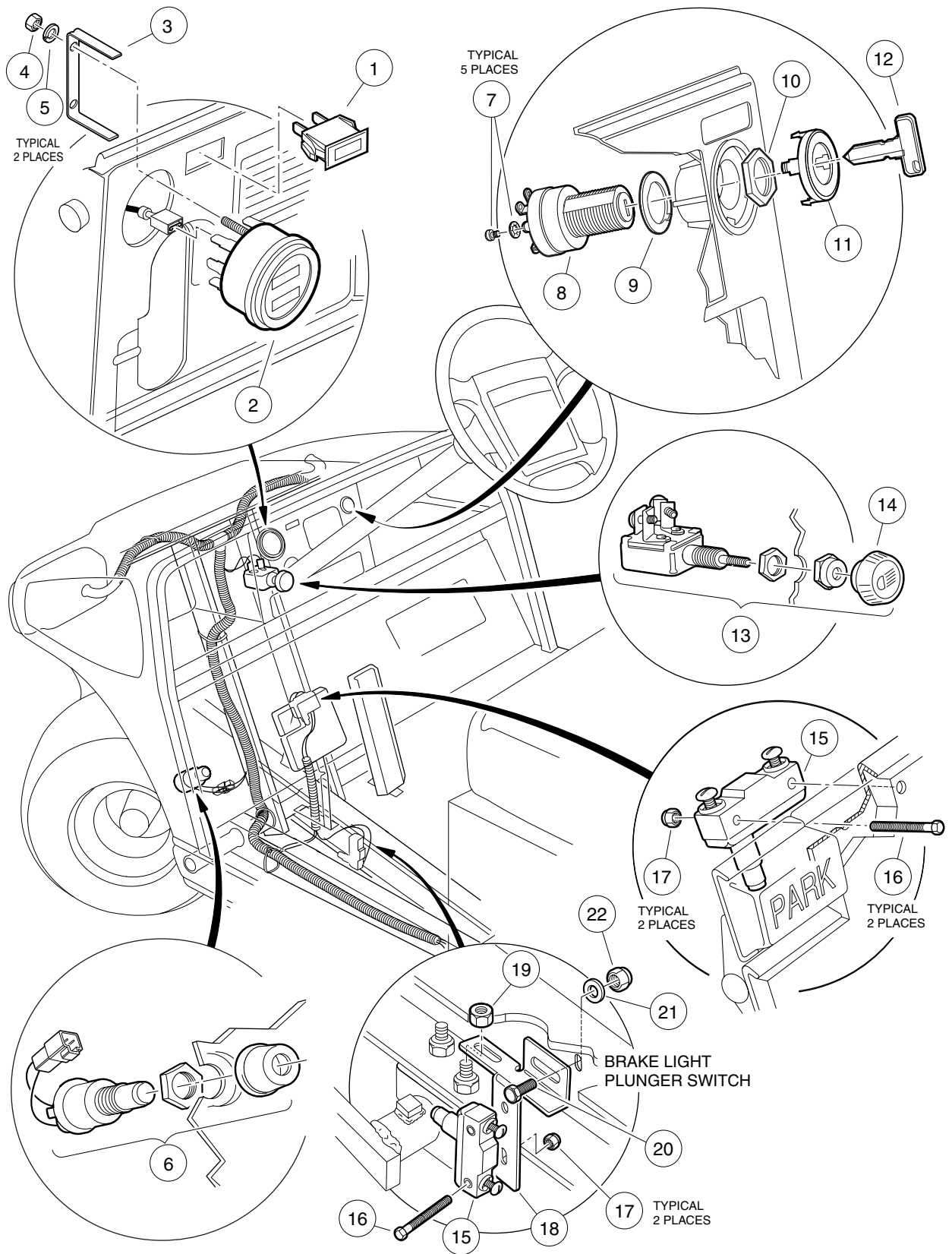
6
G



ELECTRICAL COMPONENTS, FRONT BODY – GASOLINE VILLAGER 6 AND 8, TRANSPORTER 4 AND 6

ITEM	PART NO.	DESCRIPTION	QTY
		1 2 3 4	
1	8639	Tie, Wire	4
2	1016859	Kit, Reverse Buzzer (includes items 3 - 5)	1
3	1016851	Buzzer, Reverse	1
4	1016849	Screw, Pan-Head Hi-Lo, #4-24 x 5/16	2
5	N/A	Wire Assembly, #18 Black	1
6	1017721	Limiter, Voltage (for gasoline vehicle lighting installation)	1
7	1010909	Screw, Machine, #10-32 x 1-1/4	1
8	183	Washer, Flat, #10	1
9	1016	Washer, Lock, #10	1
10	7893	Nut, Hex, #10-32	1
11	1016356	Block, Terminal	1
12	1013357	Rivet, Aluminum Pop, 5/32	2
13	1017853	Bolt, Hex-Head Machine, #6-32 x 3/4	2
14	1011229	Nut, K-Lock, #6-32	2
15	4029	Assembly, Horn (includes items 16, 17 and 18)	1
16	7820	Washer, Internal Tooth, 5/16	1
17	101955101	Nut, M6 x 1.25	1
18	1011825	Bracket, Horn	1
19	304	Screw, Hex-Head Cap, 1/4-20 x 1	2
20	332	Washer, Flat, 1/4	2
21	8233	Nut, Nylon Lock, 1/4-20	2
22	101988001	Assembly, Headlight, Driver-Side (includes items 24 - 32)	1
23	101988002	Assembly, Headlight, Passenger-Side (includes items 24 - 31 and 33)	1
24	101988101	Bulb, Halogen	1
25	101987901	Harness, Headlight Wire	1
26	1013461	Screw, Hi-Lo, #10-16 x 7/16	2
27	1017065	Retainer, Headlight	1
28	101988201	Lens, Headlight	1
29	1017062	Assembly, Turn Signal Lens	1
30	7893	Nut, Hex, #10-32	2
31	1017064	Bracket, Mounting	2
32	1016880	Bezel, Headlight, Driver-Side	1
33	1016879	Bezel, Headlight, Passenger-Side	1
34	102199001	Relay, Brake Light, 12-Volt	1
35	7591	Washer, Flat	2
36	101914401	Assembly, Voltage Suppressor	1

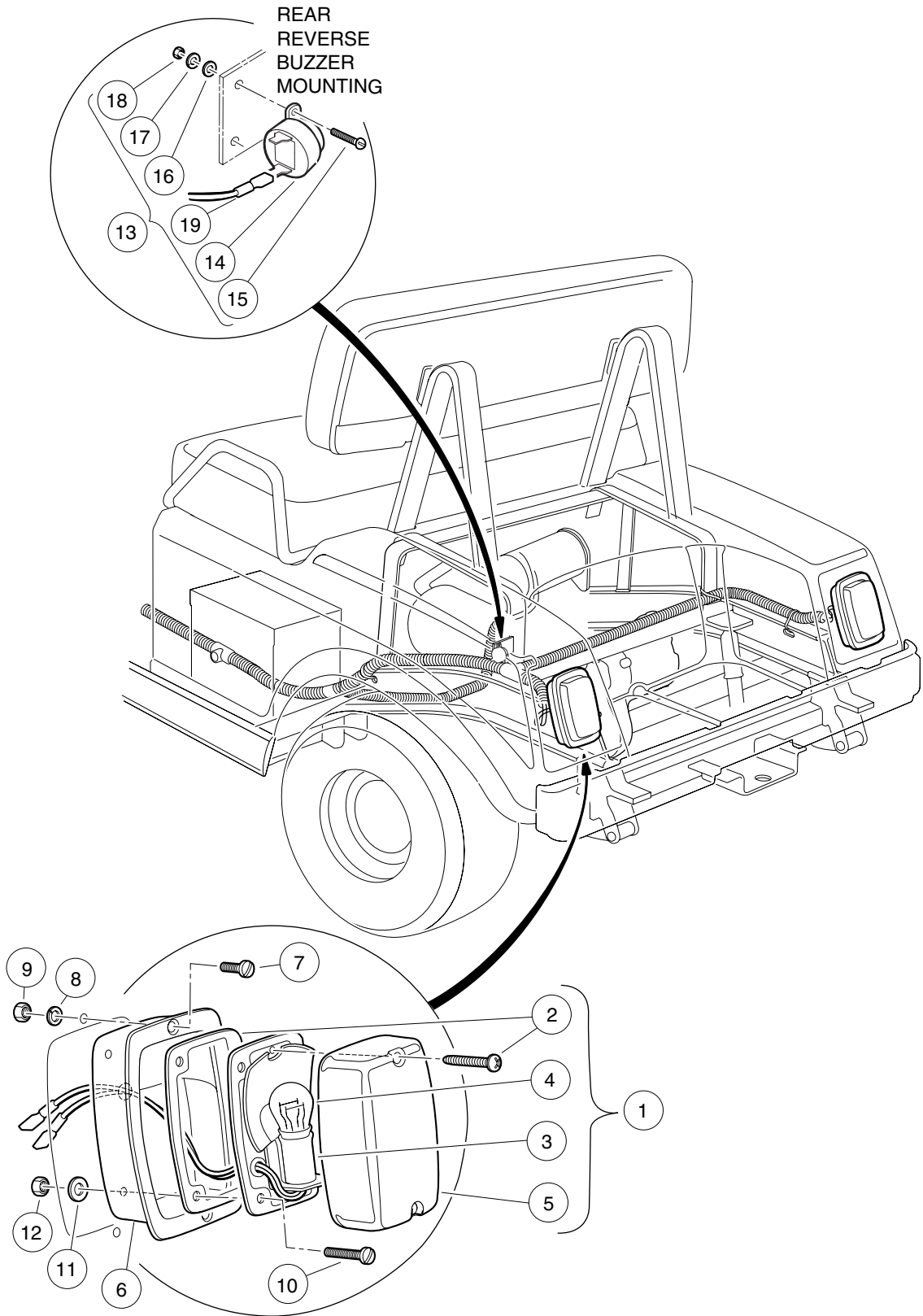
6
G



CONTROLS AND INDICATORS – GASOLINE VILLAGER 6, VILLAGER 8, TRANSPORTER 4, AND TRANSPORTER 6

ITEM	PART NO.	DESCRIPTION	QTY
		1 2 3 4	
1	1016630	Light, Low Oil Warning	1
2	101990701	Fuel Gauge/Hour Meter (includes item 3)	1
3	N/A	Bracket	1
4	101991101	Nut, M4 X .7	2
5	1012986	Washer, Lock, M4	2
6	101969701	Button, Horn	1
7	101830601	Assembly, Screw and Washer	5
8	101826401	Switch, Key	1
9	101851101	Washer, Key Switch	1
10	101830701	Nut, Key Switch	1
11	101834502	Cap, Key Switch	1
12	1012505	Key (pair)	1
13	4034	Switch, Light (includes item 14)	1
14	1013857	Knob, Light Switch	1
15	1011439	Switch, Limit	2
16	1011557	Screw, Hex-Head Machine, #6-32 x 1	4
17	101932201	Nut, Nylon Lock, #6-32	4
18	101957101	Bracket, Brake Light Switch	1
19	1011280	Nut, Lock, 5/16-18	1
20	7173	Bolt, Hex-Head, Cap, 5/16-18 x 3/4	1
21	1241	Washer, Flat, 5/16-18	1
22	7473	Nut, Nylon Lock, 5/16-18	1

6
G

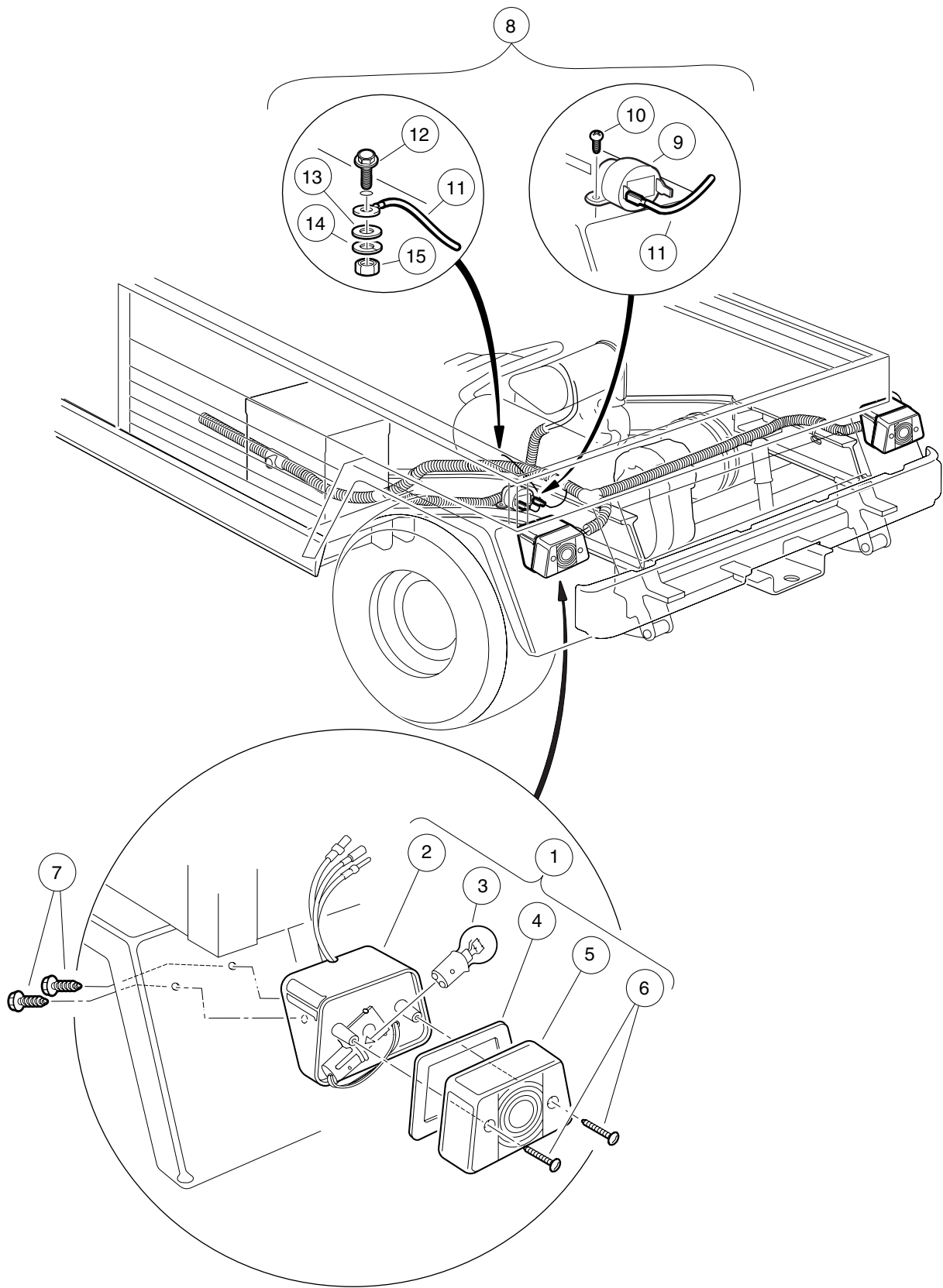


ELECTRICAL COMPONENTS, REAR BODY – GASOLINE VILLAGER 6 AND VILLAGER 8

ITEM	PART NO.	DESCRIPTION	QTY
		1 2 3 4	
1	1017035	Assembly, Taillight (includes items 2 - 5)	2
2	1017699	Kit, Hardware	1
3	N/A	Base, Taillight	1
4	1011582	Bulb	1
5	1011843	Lens	1
6	1011497	Bezel, Taillight	2
7	1011498	Screw, Machine, #8-32 x 1/2	4
8	1011610	Washer, Lock, #8	4
9	1011571	Nut, Hex, #8-32	4
10	1011557	Screw, Machine, #6-32 x 1	4
11	7591	Washer, Flat, #6	4
12	1011558	Nut, Hex, #6	4
13	1016859	Kit, Reverse Buzzer (includes items 14 - 19)	1
14	1016851	Buzzer, Reverse	1
15	8056	Screw, Round Head, #4-40 x 3/4	2
16	1012431	Washer, Flat, #4	2
17	8058	Washer, Lock, #4	2
18	8057	Nut, Hex, #4-40	2
19	N/A	Wire Assembly, #18 Black	1

6
G

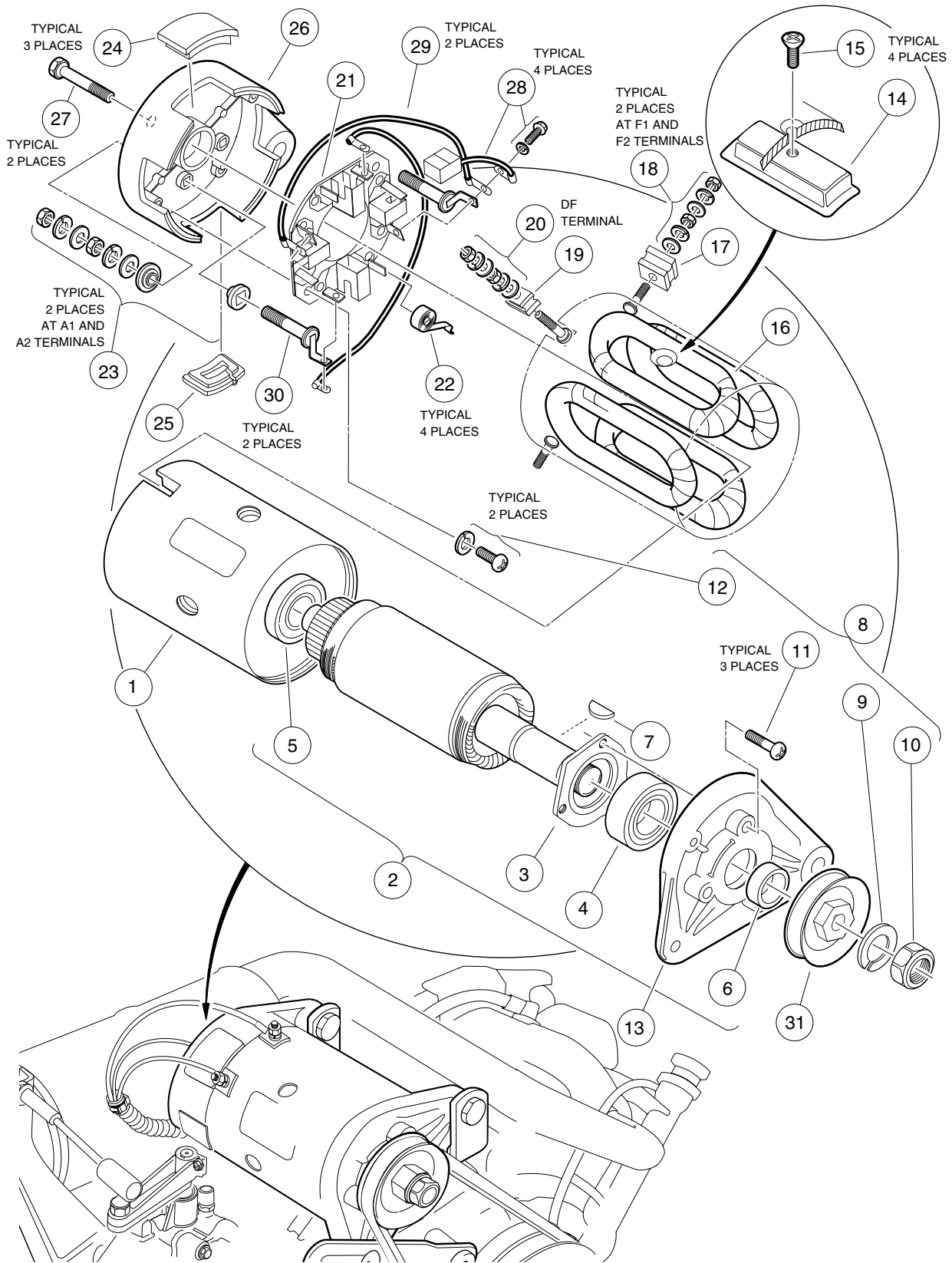
6
G



ELECTRICAL COMPONENTS, REAR BODY – GASOLINE TRANSPORTER 4 AND TRANSPORTER 6

ITEM	PART NO.	DESCRIPTION	QTY
		1 2 3 4	
1	1016717	Assembly, Taillight (includes items 2 - 6)	2
2	N/A	Housing, Taillight	1
3	1011582	Bulb	1
4	N/A	Gasket	1
5	N/A	Lens	1
6	N/A	Screw, Lens	2
7	1015752	Screw, Hex Washer-Head, #12-16 x 1/2	4
8	1016859	Kit, Reverse Buzzer (includes items 9 - 15)	1
9	1016851	Buzzer, Reverse	1
10	1016849	Screw, Pan-Head, Hi-Lo, #4-24 x 5/16	2
11	N/A	Wire Assembly, #18 Black	1
12	1015720	Screw, Hex Washer-Head, #6-32 x 1/2	1
13	7591	Washer, Flat	1
14	1011622	Washer, Lock, #6	1
15	1011558	Nut, Hex, #6-32	1

6
G

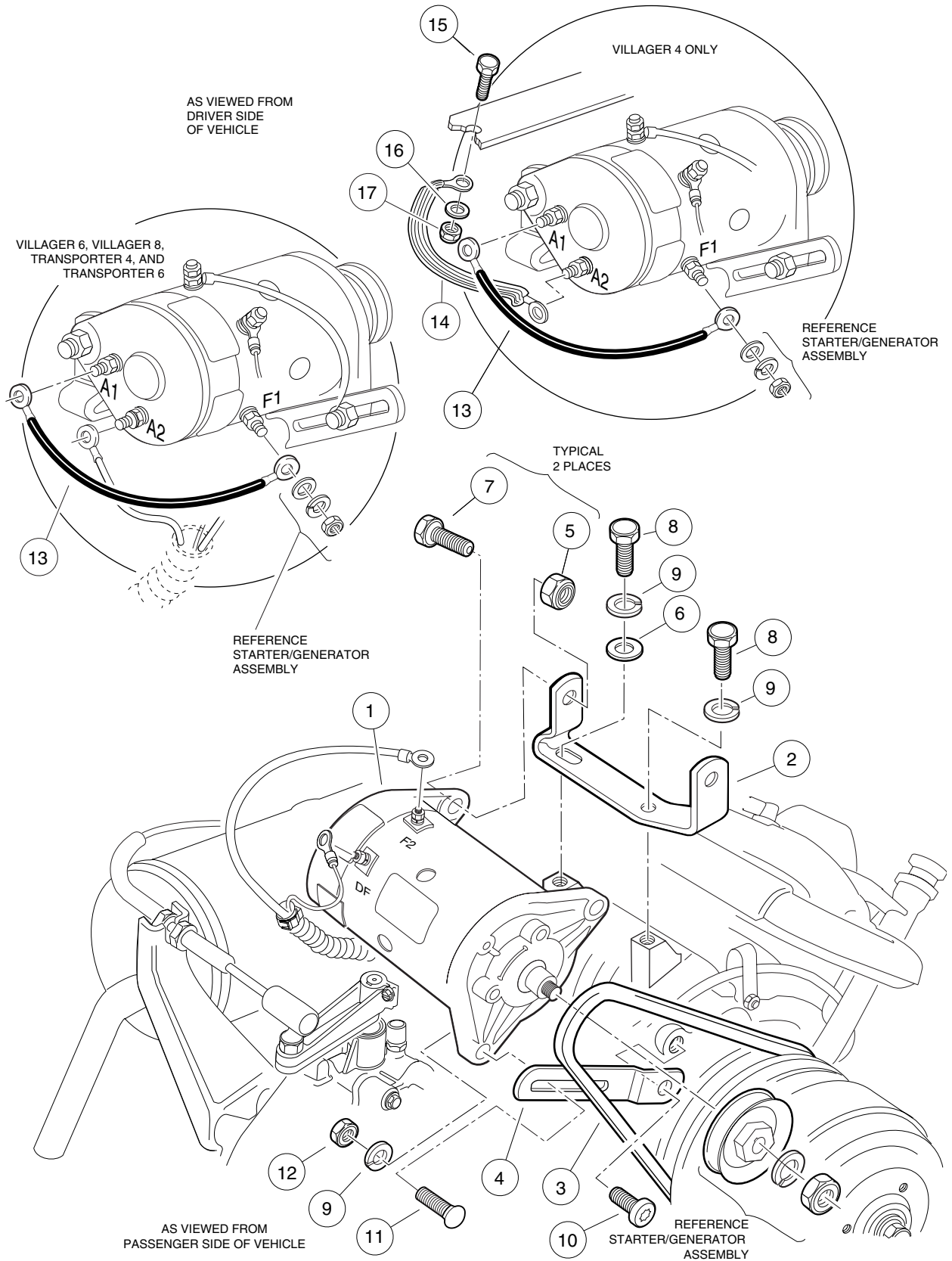


STARTER/GENERATOR ASSEMBLY

ITEM	PART NO.	DESCRIPTION	QTY
		1 2 3 4	
	101833701	Starter/Generator (clockwise rotation) (includes items 1 - 30)	1
1	101875201	Housing, Field Coil	1
2	101875101	Assembly, Armature (includes items 3 - 6)	1
3	101875001	Retainer, Bearing	1
4	1013001	Ball Bearing, Output Shaft	1
5	1013005	Commutator, Ball Bearing	1
6	101939901	Spacer, 5/16	1
7	1013003	Key, Woodruff	1
8	101876501	Kit, Pulley Nut and Screw (includes items 9 - 12)	1
9	N/A	Washer, Lock, M14	1
10	N/A	Nut, Hex, M14 x 2	1
11	N/A	Screw, Cross-Recessed, M5 x 0.8 x 18 mm	3
12	101896501	Screw, Cross-Recessed, M5 x 0.8 x 16 mm (with lock washer)	2
13	101874901	End Bell, Output Shaft	1
14	101875301	Set, Pole (set of 4)	1
15	101875401	Screw, Pole Piece (set of 4)	1
16	101875501	Coil, Field	1
17	101875601	Insulator, F Terminal	2
18	101877601	Package, Terminal Hardware (F1 and F2)	2
19	101875701	Insulator, DF Terminal	1
20	101877701	Package, Terminal Hardware (DF)	1
21	101301102	Holder, Brush (includes item 22)	1
22	101878101	Spring, Brush	4
23	101876001	Package, Terminal Hardware (A1 and A2)	2
24	101876301	Cover, Brush Inspection Port (Set of 4) (includes item 25)	1
25	1017653	Cover, Brush Inspection Port, with Drain	1
26	101876402	End Bell, Commutator	1
27	101879001	Bolt, Clamp, M6 x 1 x 180 mm	2
28	101869302	Package, Brush (includes 4 brushes, 4 screws, 4 washers)	1
29	101876202	Connector, Brush	2
30	101875802	A Connector (set of 2)	1
31	1014289	Pulley	1

6
G

6
G

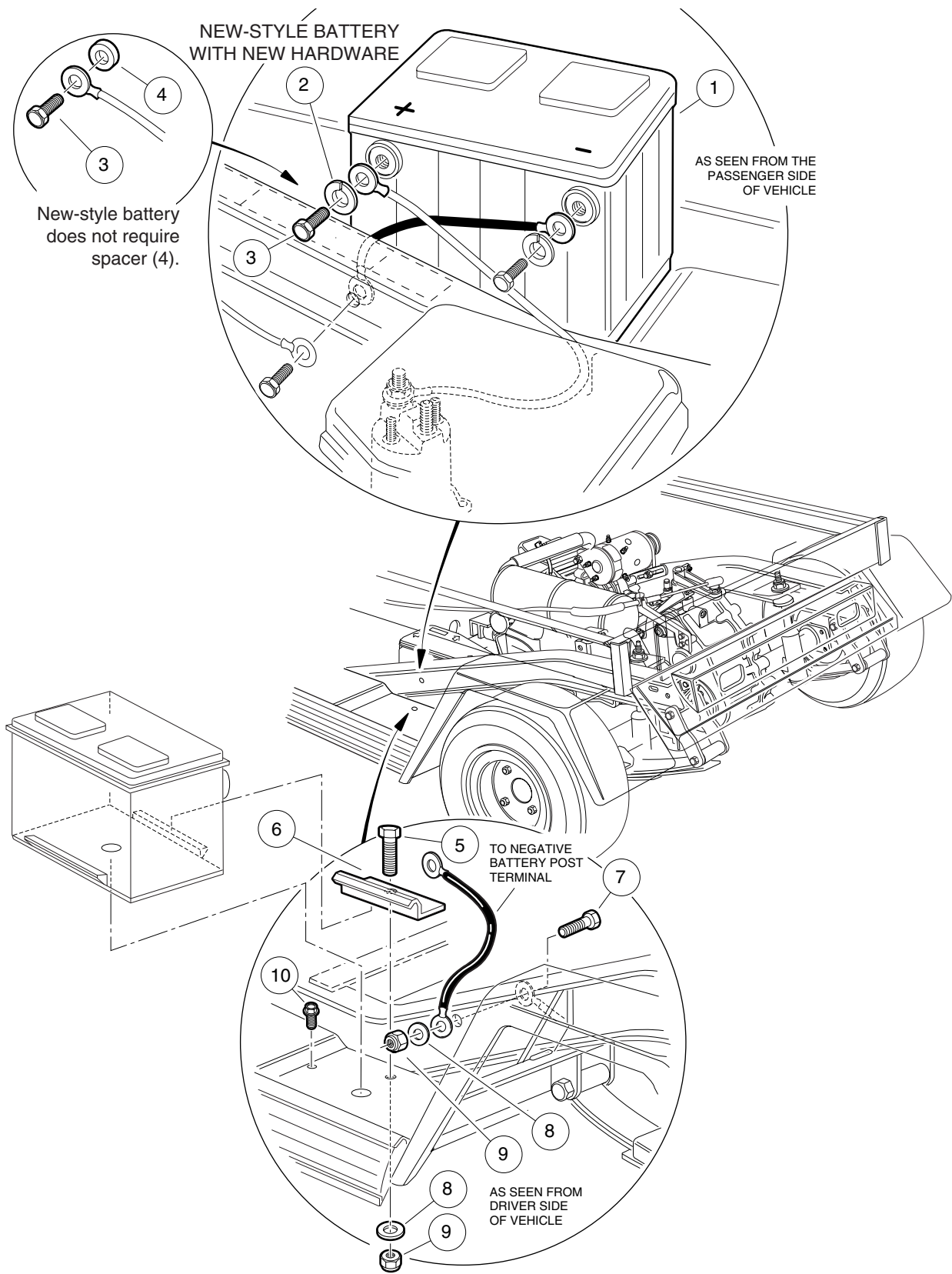


STARTER/GENERATOR MOUNTING

ITEM	PART NO.	DESCRIPTION	QTY
		1 2 3 4	
1	101833701	Starter/Generator	1
2	101524002	Bracket, Mounting	1
3	101916701	Belt, Starter/Generator	1
4	1016883	Bracket, Adjusting	1
5	8754	Nut, Nylon Lock, 3/8-16	2
6	1241	Washer, Flat, 5/16	1
7	705	Screw, Hex-Head Cap, 3/8-16 x 1-1/4	2
8	1012830	Screw, Hex-Head Cap, M8 x 1.25 x 22 mm	2
9	7174	Washer, Lock, 5/16	3
10	1016074	Screw, Torx-Head, M8 x 1.25 x 18 mm	1
11	1015932	Bolt, Carriage, 5/16-18 x 1	1
12	1242	Nut, Hex, 5/16-18	1
13	101837301	Wire Assembly, #6 Green	1
14	1015920	Wire Assembly, #6 Braided Ground (Villager 4 only)	1
15	7173	Screw, Hex-Head Cap, 5/16-18 x 3/4 (Villager 4 only)	1
16	1241	Washer, Flat, 5/16 (Villager 4 only)	1
17	7473	Nut, Nylon Lock, 5/16-18 (Villager 4 only)	1

6
G

6
G



BATTERY – GASOLINE VEHICLE

ITEM	PART NO.	DESCRIPTION	QTY
		1 2 3 4	
1	1012328	Battery, 12-Volt	1
2	102355301	Washer, Lock, Stainless Steel, 3/8*	2
3	1014375	Screw, Hex-Head Cap, Stainless Steel, 3/8-16 x 1/2	2
4	1014374	Spacer, Battery Terminal Bolt*	2
5	1010934	Screw, Hex-Head Cap, 5/16-18 x 1	1
6	101898001	Clamp, Battery	1
7	7173	Screw, Hex Cap, 5/16-18 x 3/4	1
8	1241	Washer, Flat, 5/16	2
9	7473	Nut, Nylon Lock, 5/16-18	2
10	1014288	Screw, Thread-Forming, 5/16-16 x 3/4	1
<p>*NOTE: When ordering a new battery, you must order the new stainless steel lockwasher (2); however, the lockwasher cannot be used in conjunction with the older battery terminal design that requires a spacer (4).</p>			

6
G

6

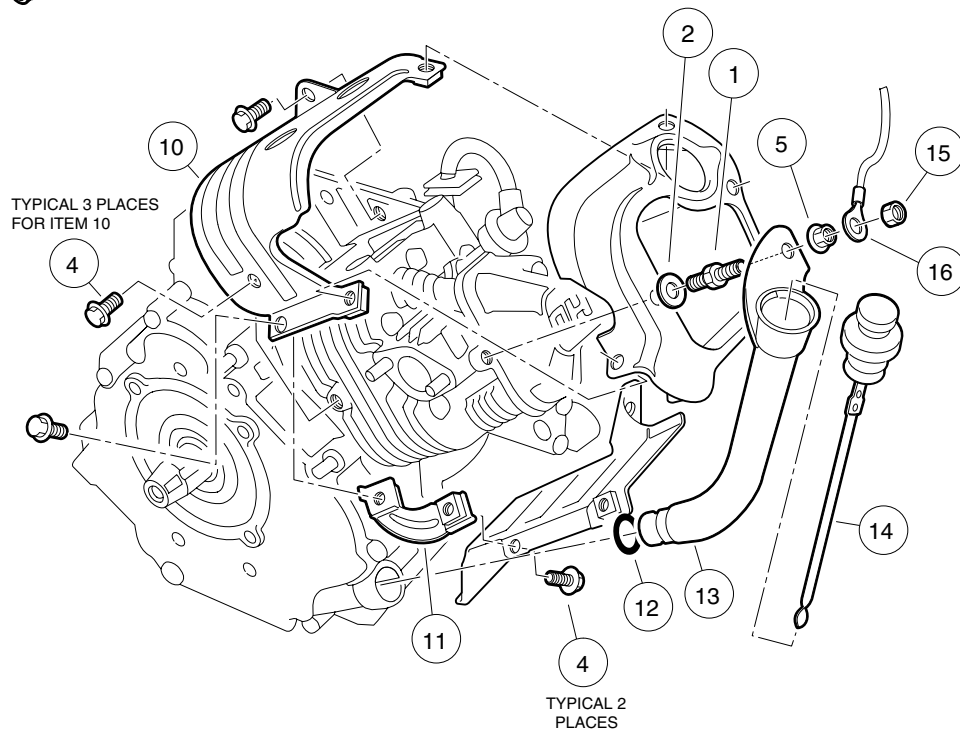
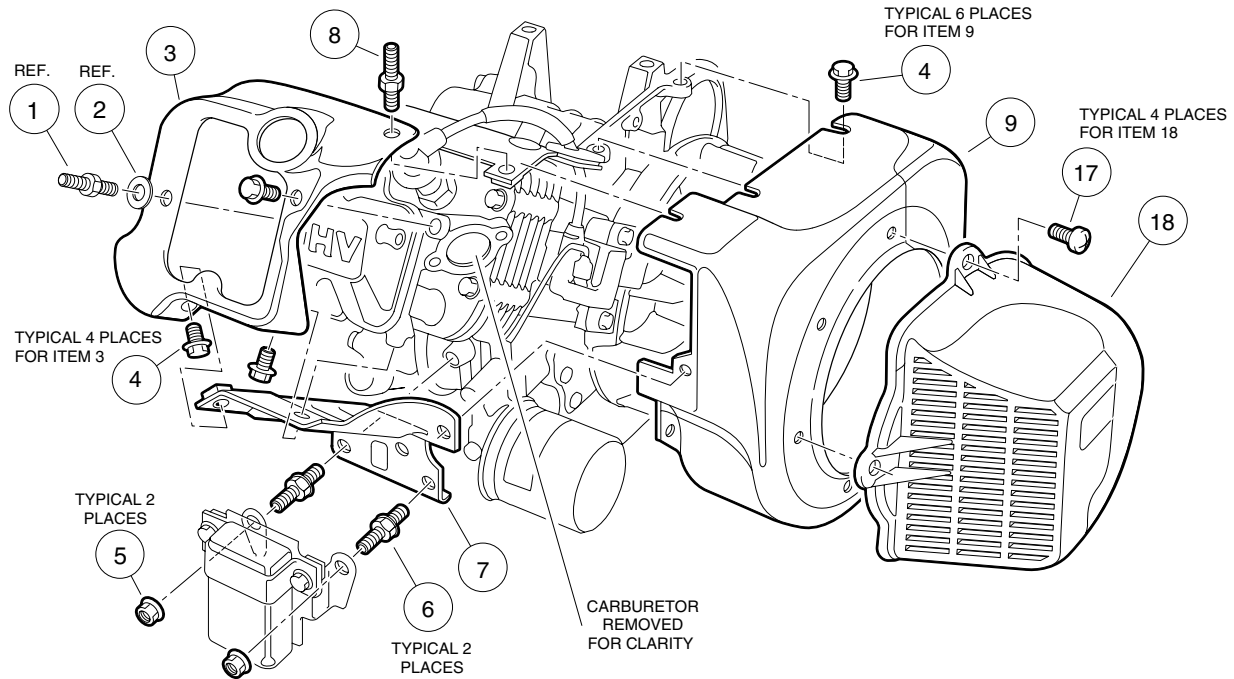
G

ENGINE

7

G

FE290 ENGINE



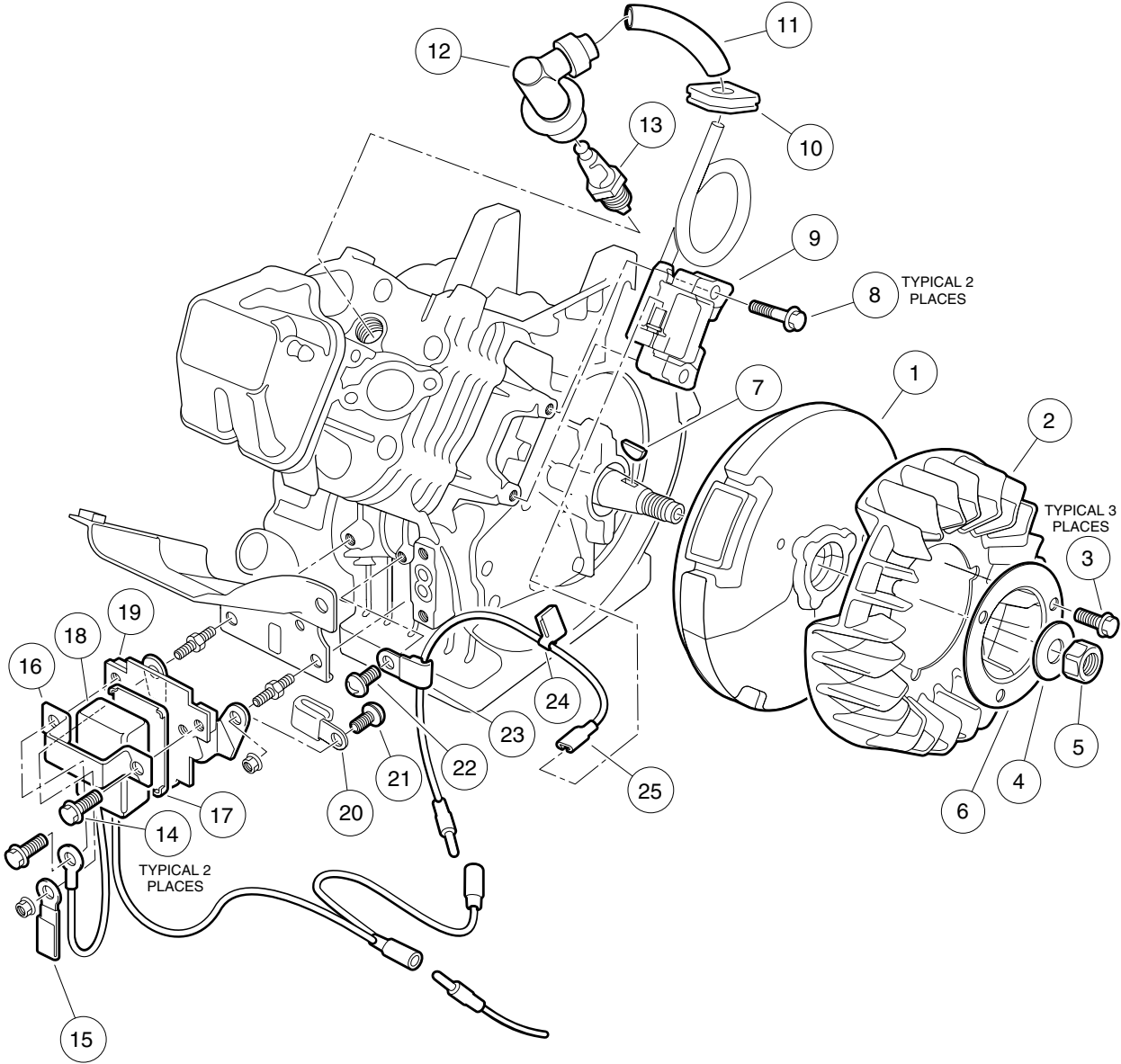
FE290 ENGINE – SHROUDS AND BRACKETS

ITEM	PART NO.	DESCRIPTION	QTY
		1 2 3 4	
	101953901	FE290 OHV Gasoline Engine (clockwise rotation) with Carburetor (does not include items 15 through 18)	1
1	1016507	Bolt, 2-Ended, M6 x 1 x 29 mm	1
2	N/A	Washer, Flat, 6 mm	1
3	1016524	Shroud, Engine, FE290	1
4	1016456	Bolt, Flanged, M6 x 1 x 12 mm	15
5	1016547	Nut, Flange, M6 x 1	3
6	101909701	Bolt, 2-Ended, M6 x 1 x 27 mm	2
7	1016526	Shroud, Engine, FE290 (lower)	1
8	1017221	Bolt, 2-Ended, M6 x 1 x 46 mm	1
9	101915601	Housing, Fan	1
10	1016525	Shroud, Engine, FE290 (upper)	1
11	1016443	Bracket.....	1
12	1016539	O-Ring	1
13	1016536	Tube, Oil Filler, FE290	1
14	1016531	Dipstick	1
15	101887601	Nut, Nylon Lock, M6 x 1	1
16	1015332	Wire Assembly, #10 Braided Ground	1
17	1015969	Screw, Pan Head, M6 x 1 x 14 mm	4
18	1015649	Shroud, Fan	1

7
G

7
G

FE290 ENGINE



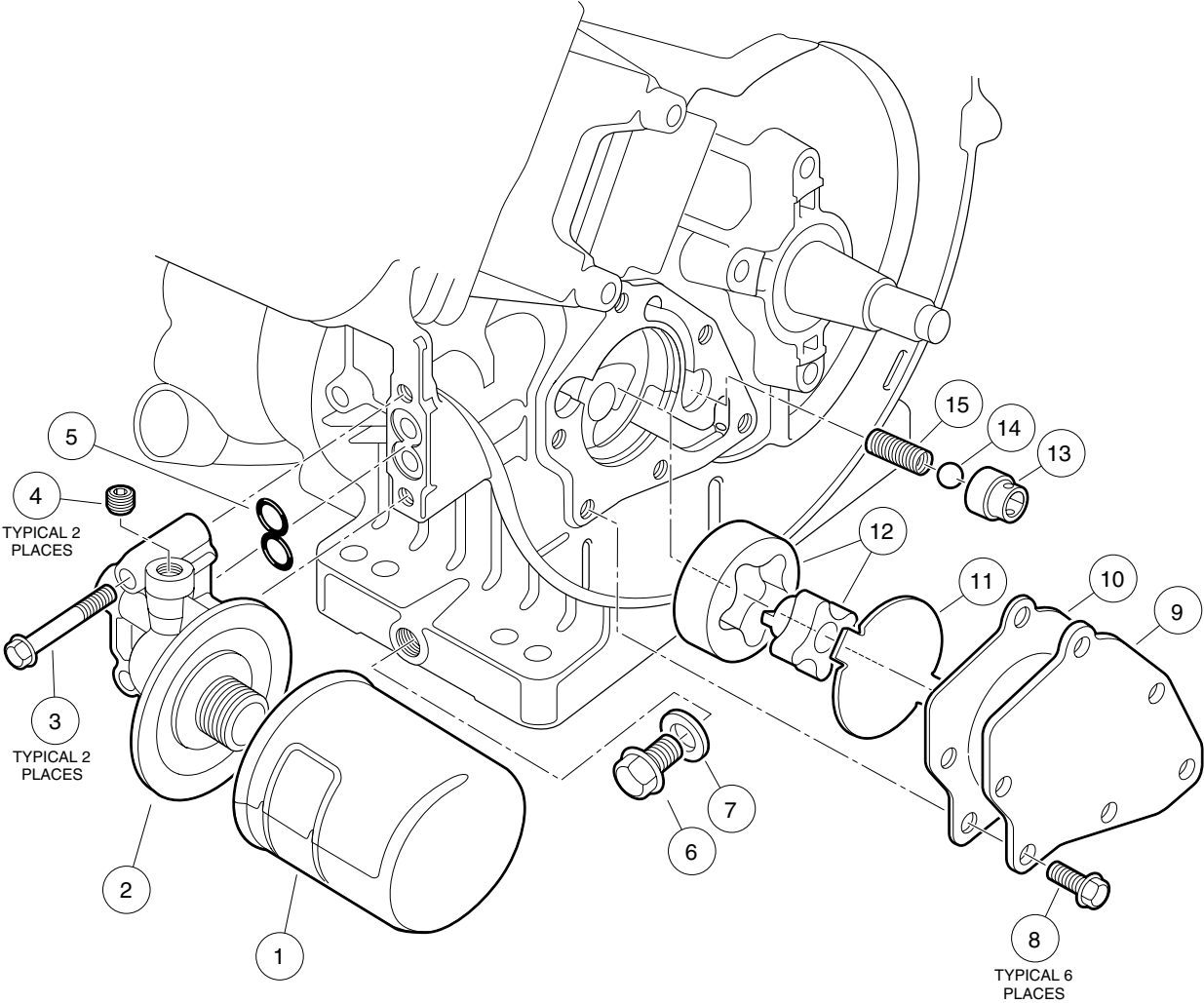
FE290 ENGINE – IGNITION COMPONENTS AND FLYWHEEL

ITEM	PART NO.	DESCRIPTION	QTY
		1 2 3 4	
1	101915701	Flywheel	1
2	101915801	Fan, Flywheel, Gray	1
3	1017448	Screw, Flanged Hex-Head, M6 x 1 x 10 mm	3
4	1016548	Washer, Flat, 16 mm	1
5	1016505	Nut, Hex, M16 x 1.5	1
6	1017455	Plate, Flywheel Fan	1
7	1016562	Key	1
8	1016455	Bolt, Flanged, M5 x 0.8 x 25 mm	2
9	101909201	Coil, Ignition (with internal igniter)	1
10	1016578	Grommet	1
11	1016588	Tube, 7 mm x 70 mm	1
12	1016493	Assembly, Plug Cap	1
13	101881101	Plug, Spark, OHV (Autolite®)	1
13	AM10724	Plug, Spark, OHV (NGK®)	1
14	1016456	Bolt, Flanged, M6 x 1 x 12 mm	2
15	1012981	Clamp	1
16	1016579	Band, RPM Limiter Mount	1
17	1016586	Damper, RPM Limiter	1
18	101909401	Limiter, RPM, OHV	1
19	1016445	Bracket, RPM Limiter	1
20	101909501	Clamp	1
21	1016497	Screw, Cross Pan-Head, M5 x 0.8 x 8 mm	1
22	1016544	Screw, Cross Pan-Head Self-Tapping, M5 x 0.8 x 12 mm	1
23	1016561	Clamp	1
24	1016587	Clamp	1
25	101909301	Wire, Lead	1

7
G

7
G

FE290 ENGINE

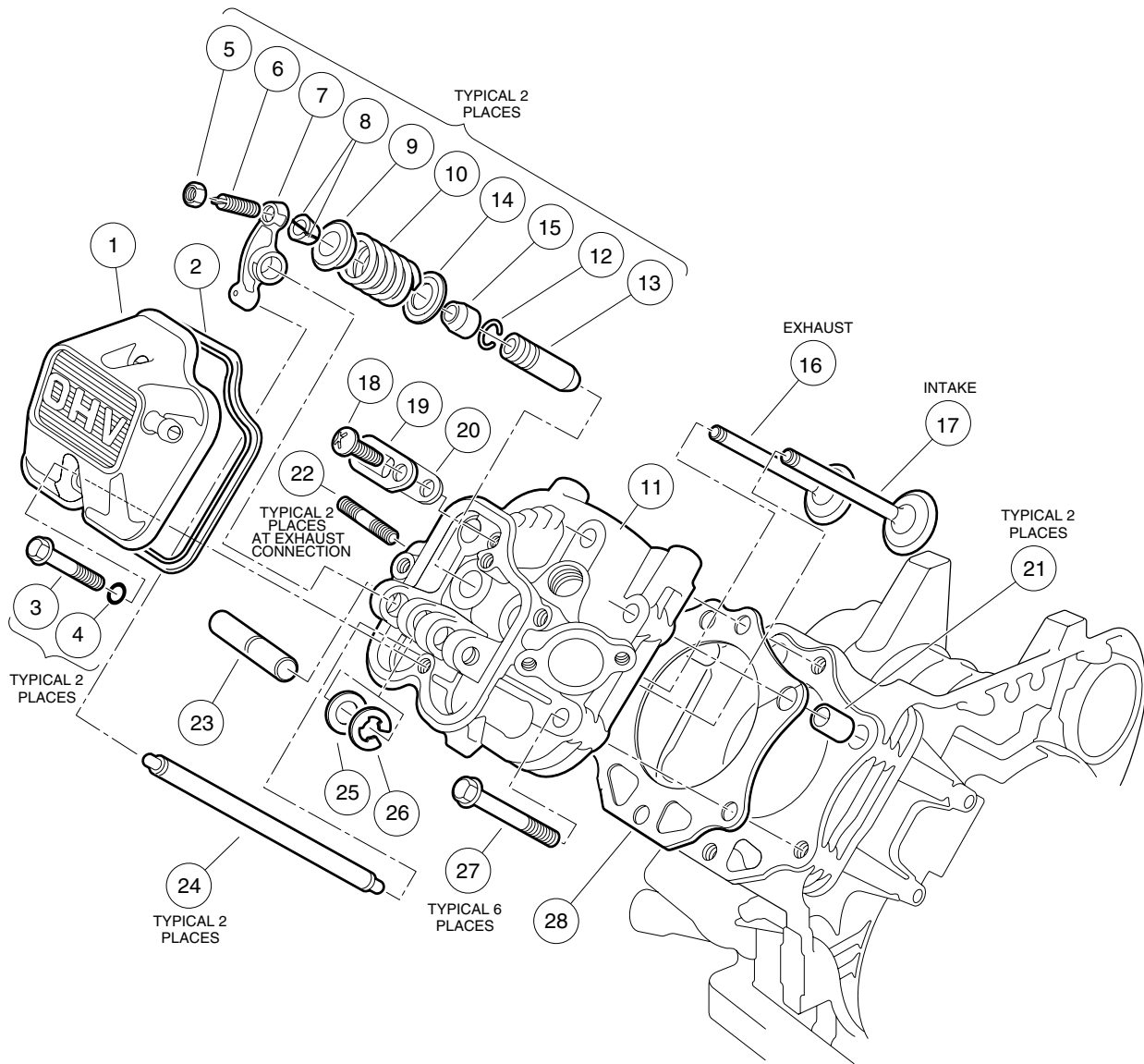


FE290 ENGINE – OIL CIRCULATION

ITEM	PART NO.	DESCRIPTION	QTY
		1 2 3 4	
1	1016467	Oil Filter	1
2	1016502	Bracket, Oil Filter	1
3	1016457	Bolt, Flanged Hex-Head, M6 x 1 x 40 mm	2
4	1017507	Plug	2
5	1016570	O-Ring, Oil Filter Mount	1
6	1016576	Plug, Drain, FE290	1
7	1016432	Gasket, Drain Plug	1
8	1017456	Screw, Flanged Hex-Head, M6 x 1 x 12 mm	6
9	1016484	Cover, Pump	1
10	1016435	Gasket, Oil Pump	1
11	1016473	Plate, Oil Pump	1
12	101648203	Pump, Oil and Rotor	1
13	1016429	Seat, Valve	1
14	1016537	Ball, Steel, Pressure Relief	1
15	1016581	Spring	1

7
G

FE290 ENGINE



FE290 ENGINE – CYLINDER HEAD

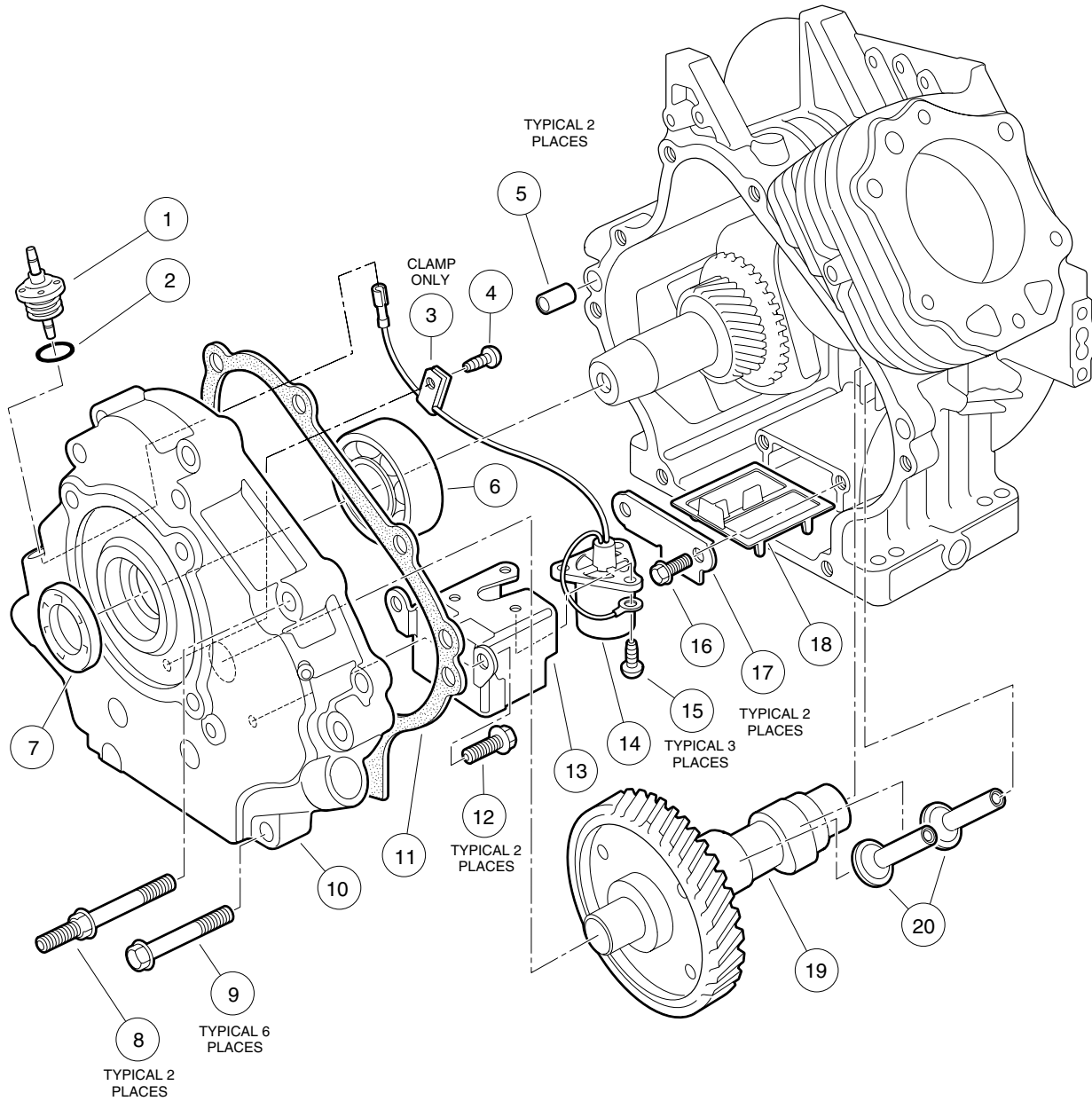
ITEM	PART NO.	DESCRIPTION	QTY
		1 2 3 4	
1	1016442	Case, Rocker	1
2	1016436	Gasket, Rocker Case	1
3	1016583	Bolt, Flanged, M6 x 1 x 35 mm	2
4	1016569	O-Ring	2
5	1016545	Nut, Hex, M5 x 0.8	2
6	1016542	Screw, Stud, M5 x 0.8	2
7	1016451	Arm, Rocker	2
8	1016450	Collet.....	4
9	1016449	Retainer, Valve Spring	2
10	1016523	Spring, Engine Valve	2
11	1016431	Assembly, Cylinder Head, OHV (includes items 12 and 13)	1
12	1016560	Ring, Snap	2
13	1016519	Guide, Valve	2
14	1016479	Seat, Spring	2
15	1016566	Seal, Valve	2
16	1016448	Valve, Exhaust	1
17	1016447	Valve, Intake	1
18	1016544	Screw, Cross Pan-Head Self-Tapping, M5 x 0.8 x 12 mm	1
19	1016474	Plate	1
20	1016483	Valve	1
21	1016563	Pin	2
22	1016489	Bolt, Stud, M8 x 1.25 x 29 mm	2
23	1016452	Shaft, Rocker	1
24	1016471	Rod, Push	2
25	1016549	Washer, Flat, M12	1
26	1016517	Circlip, Type E	1
27	1016458	Bolt, Flanged, M8 x 1.25 x 45 mm	6
28	1016430	Gasket, Head	1
	102304701	Kit, Gasket, FE290 (contains one each of all internal gaskets for the FE290 engine) (not shown).....	1

7

G

7
G

FE290 ENGINE

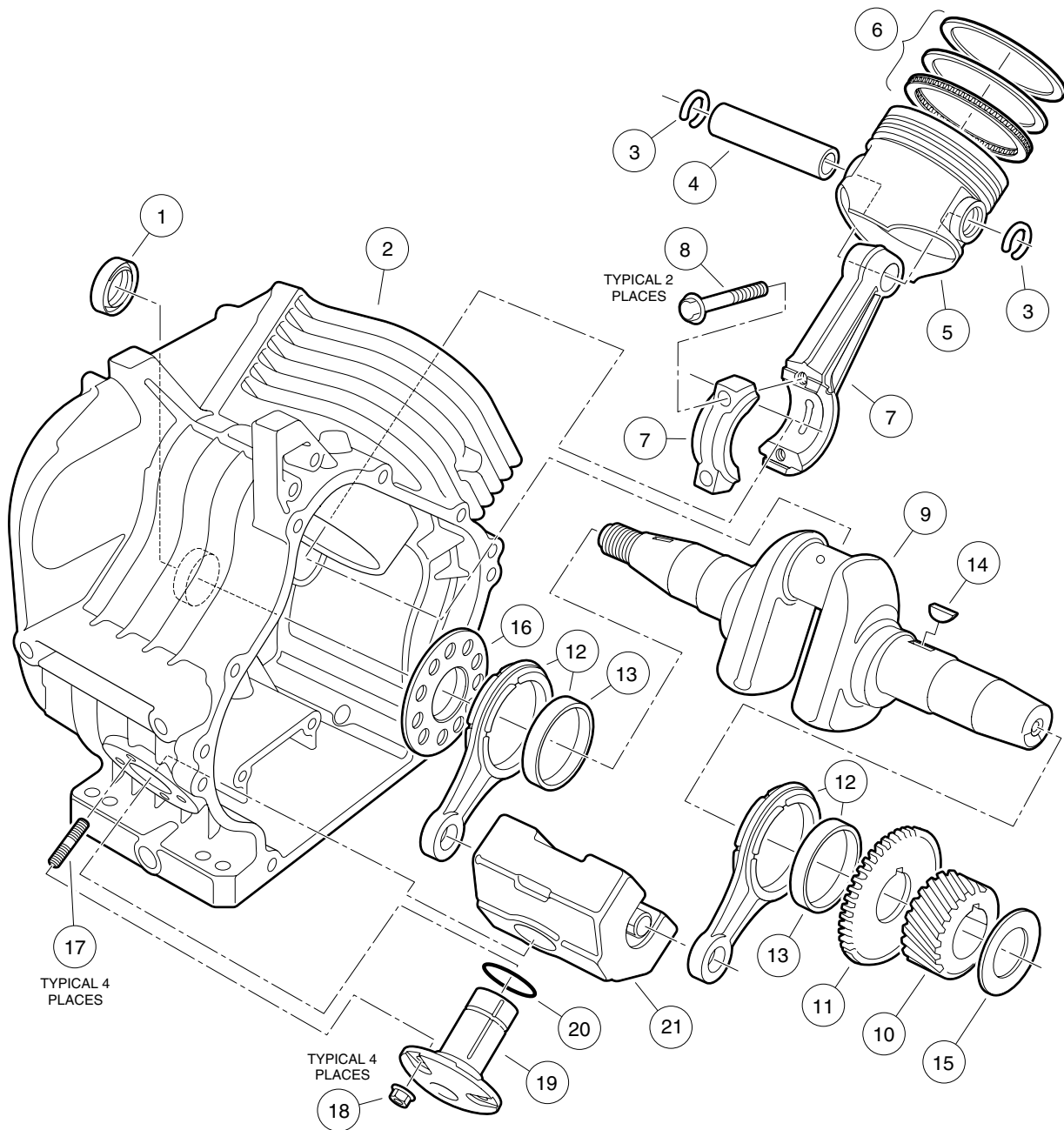


FE290 ENGINE – CRANKCASE, CAMSHAFT AND OIL SENSOR

ITEM	PART NO.	DESCRIPTION	QTY
		1 2 3 4	
1	1016535	Connector, Cord	1
2	1016538	O-Ring	1
3	1016506	Clamp	1
4	1016544	Screw, Cross Pan-Head Self-Tapping, M5 x 0.8 x 12 mm	1
5	1016564	Pin	2
6	1016565	Bearing, Ball	1
7	1016567	Seal, Crankshaft	1
8	1016584	Bolt, 2-Ended, M8 x 1.25 x 69 mm	2
9	1016458	Bolt, Flanged, M8 x 1.25 x 45 mm	6
10	1016520	Cover, Crankcase	1
11	1016446	Gasket, Crankcase Cover	1
12	1016456	Bolt, Flanged, M6 x 1 x 12 mm	2
13	1016510	Bracket, Oil Level Switch	1
14	1016494	Sensor, Oil Level	1
15	1016496	Screw, Cross Pan Head, M4 x 0.7 x 8 mm	3
16	1016454	Bolt, Flanged, M5 x 0.8 x 8 mm	2
17	1016472	Plate, Oil Filter Screen	1
18	1016521	Screen, Oil Filter	1
19	101915401	Camshaft, Complete	1
20	1016453	Tappet	2

7
G

FE290 ENGINE

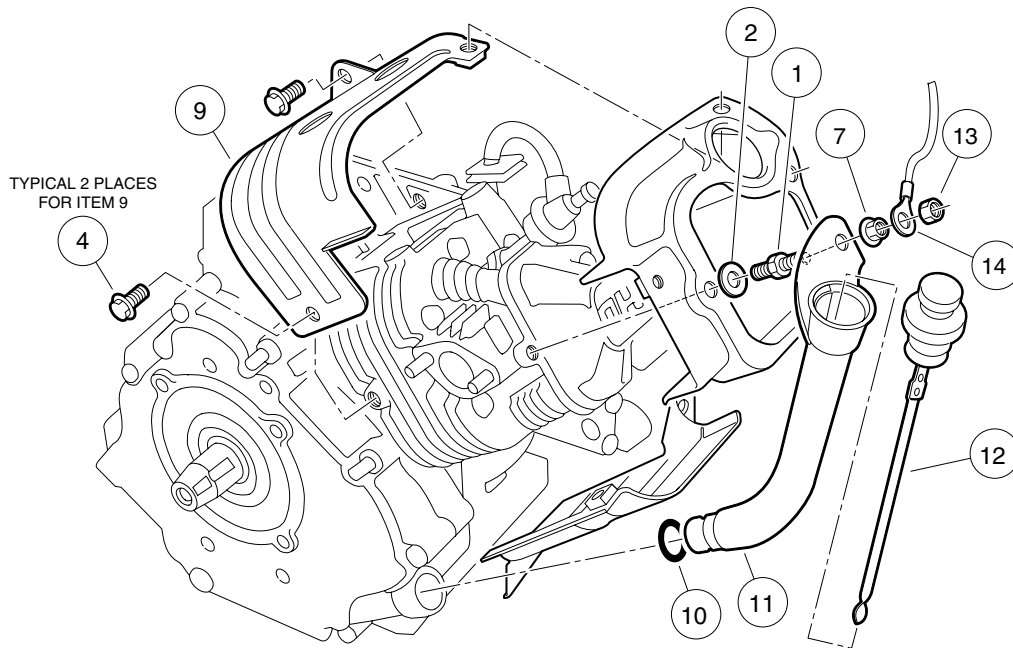
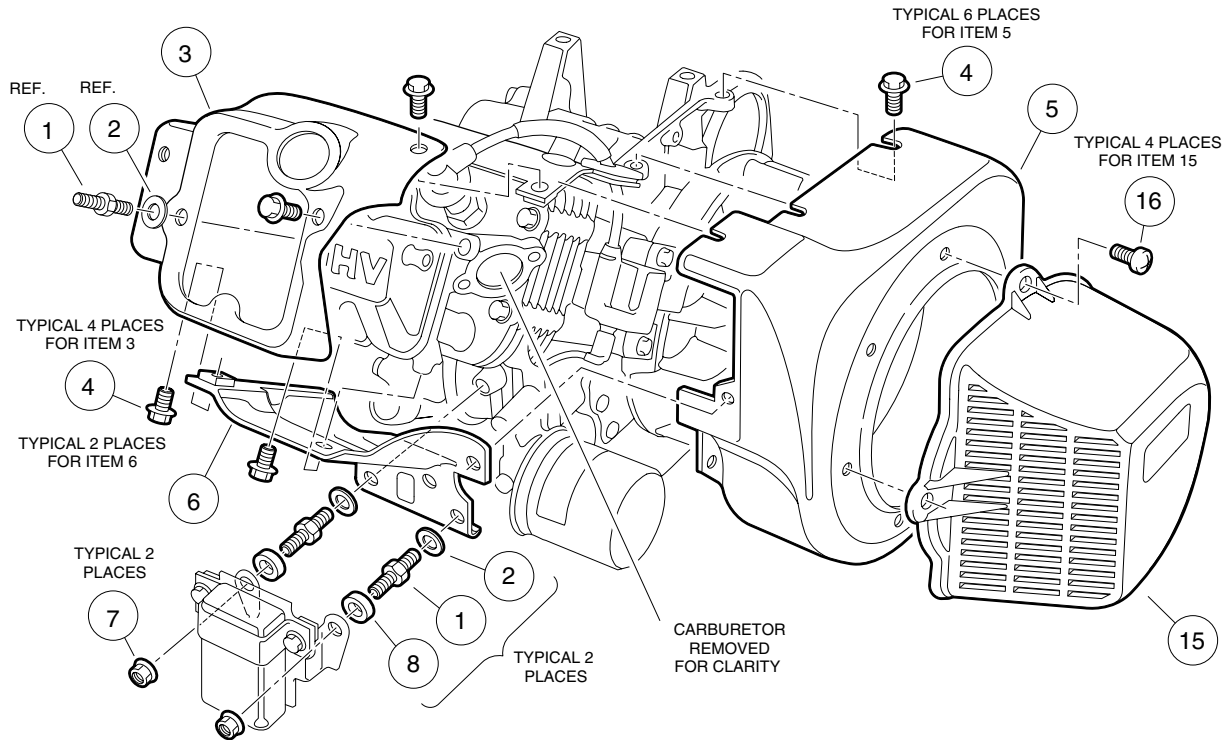


FE290 ENGINE – CRANKCASE AND CRANKSHAFT

ITEM	PART NO.	DESCRIPTION	QTY
		1 2 3 4	
1	1016568	Seal, Oil	1
2	101915501	Crankcase, OHV	1
3	1016558	Ring, Snap	2
4	1016460	Pin, Piston	1
5	101645901	Piston, Standard	1
5	101645902	Piston, .25 mm Oversized	1
5	101645903	Piston, .50 mm Oversized	1
6	101646101	Ring Set, Piston, Standard	1
6	101646102	Ring Set, Piston, .25 mm Oversized	1
6	101646103	Ring Set, Piston, .50 mm Oversized	1
7	101647501	Assembly, Connecting Rod, Standard (includes 2 each of item 8)	1
7	101647502	Assembly, Connecting Rod, .50 mm Undersized (includes 2 each of item 8)	1
8	1016509	Screw, Hex-Head Cap, M7 x 1 x 36 mm	2
9	101922301	Crankshaft, FE290 (left-hand thread) (includes items 10, 11 and one each of item 12)	1
10	1016533	Gear, Helical	1
11	1016532	Gear, Spur	1
12	1016516	Assembly, Rod (includes one each of item 13)	2
13	1016580	Bearing, Plain	2
14	1016562	Key	1
15	101655001	Shim, Crankshaft, 1.13 mm Thick	A/R
15	101655002	Shim, Crankshaft, 1.18 mm Thick	A/R
15	101655003	Shim, Crankshaft, 1.23 mm Thick	A/R
15	101655004	Shim, Crankshaft, 1.28 mm Thick	A/R
15	101655005	Shim, Crankshaft, 1.33 mm Thick	A/R
15	101655006	Shim, Crankshaft, 1.38 mm Thick	A/R
15	101655007	Shim, Crankshaft, 1.43 mm Thick	A/R
15	101655008	Shim, Crankshaft, 1.48 mm Thick	A/R
15	101655009	Shim, Crankshaft, 1.53 mm Thick	A/R
16	1016559	Spacer	1
17	1016541	Bolt, Stud, M6 x 1 x 22 mm	4
18	1016547	Nut, Flanged, M6 x 1	4
19	1016470	Shaft, Counterbalance Guide	1
20	1016571	O-Ring	1
21	1016469	Weight, Counterbalance	1

7
G

FE350 ENGINE

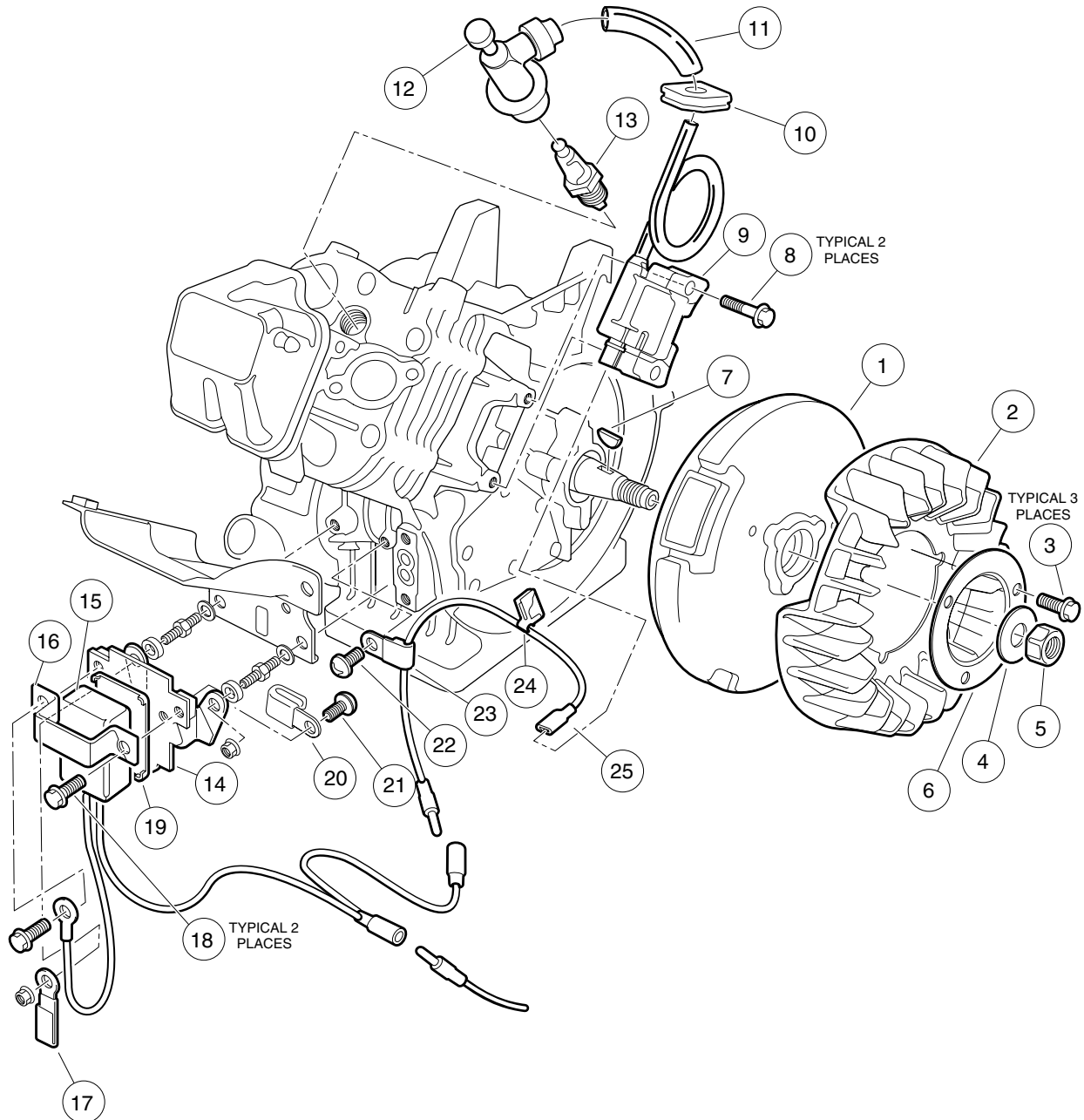


FE350 ENGINE – SHROUDS AND BRACKETS

ITEM	PART NO.	DESCRIPTION	QTY
		1 2 3 4	
	101953802	FE350 OHV Gasoline Engine, Complete (clockwise rotation) with Automatic Compression Release (ACR) and with Carburetor (key-start vehicles) (does not include items 13 - 16)	1
1	1016507	Bolt, 2-Ended, M6 x 1 x 29 mm	3
2	N/A	Washer, Flat, 6 mm	3
3	1017474	Shroud, Cylinder Head	1
4	1016456	Bolt, Flanged, M6 x 1 x 12 mm	14
5	101916101	Housing, Fan	1
6	1017476	Shroud, Lower Cylinder	1
7	1016547	Nut, Flanged, M6 x 1	3
8	1017500	Spacer	2
9	1017475	Shroud, Upper Cylinder	1
10	1016539	O-Ring	1
11	1017486	Tube, Oil Filler	1
12	1016531	Dipstick	1
13	101887601	Nut, Nylon Lock, M6 x 1	1
14	1015332	Wire Assembly, #10 Braided Ground	1
15	1015649	Shroud, Fan	1
16	1015969	Screw, Pan-Head, M6 x 1 x 14 mm	4

7
G

FE350 ENGINE



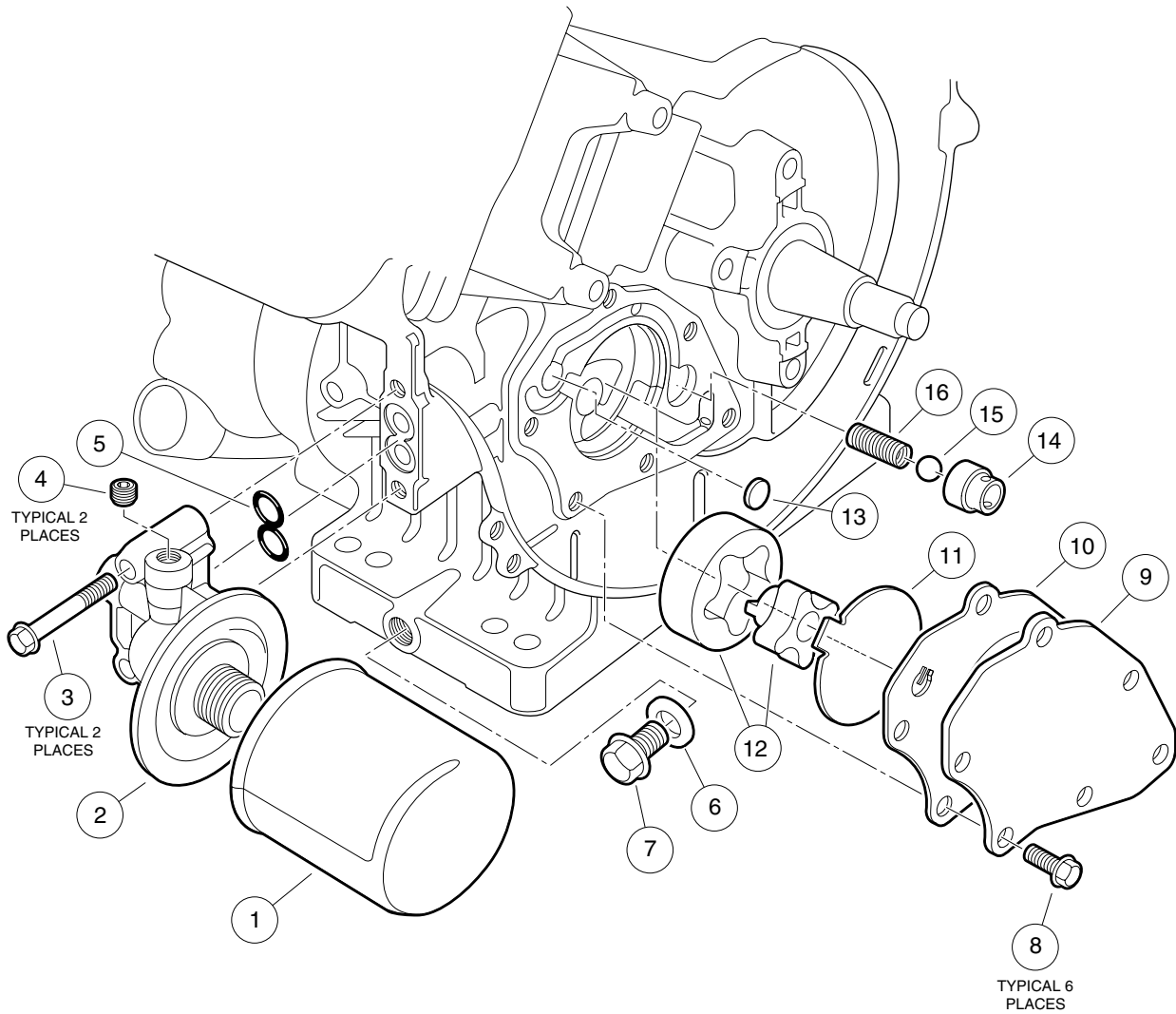
FE350 ENGINE – IGNITION COMPONENTS AND FLYWHEEL

ITEM	PART NO.	DESCRIPTION	QTY
		1 2 3 4	
1	101916201	Flywheel	1
2	101916301	Fan, Flywheel – Gray	1
3	1017448	Screw, Flanged Hex-Head, M6 x 1 x 10 mm	3
4	1017490	Washer, Flat, 18 mm	1
5	N/A	Nut, Hex, Fine, 18 mm	1
6	1017455	Plate, Flywheel Fan	1
7	1016562	Key	1
8	1016455	Screw, Hex-Head Flanged, M5 x 0.8 x 25 mm	2
9	101909201	Coil, Ignition (with internal igniter)	1
10	1016578	Grommet	1
11	1016588	Tube, 7 mm I.D. x 10 mm O.D. x 70 mm Long	1
12	1017463	Assembly, Plug Cap	1
13	101881101	Plug, Spark, OHV (Autolite)	1
13	AM10724	Plug, Spark, OHV (NGK)	1
14	1016445	Bracket, RPM Limiter	1
15	101909401	Limiter, RPM	1
16	1016579	Band, RPM Limiter Mount	1
17	1012981	Clamp	1
18	1016456	Screw, Flanged Hex-Head, M6 x 1 x 12 mm	2
19	1016586	Damper	1
20	101909501	Clamp	1
21	1016497	Screw, Cross Pan-Head, M5 x 0.8 x 8 mm	1
22	1016544	Screw, Cross Pan-Head Self-Tapping, M5 x 12 mm	1
23	1016561	Clamp	1
24	1016587	Clamp	1
25	101909301	Wire, Lead	1

7
G

7
G

FE350 ENGINE

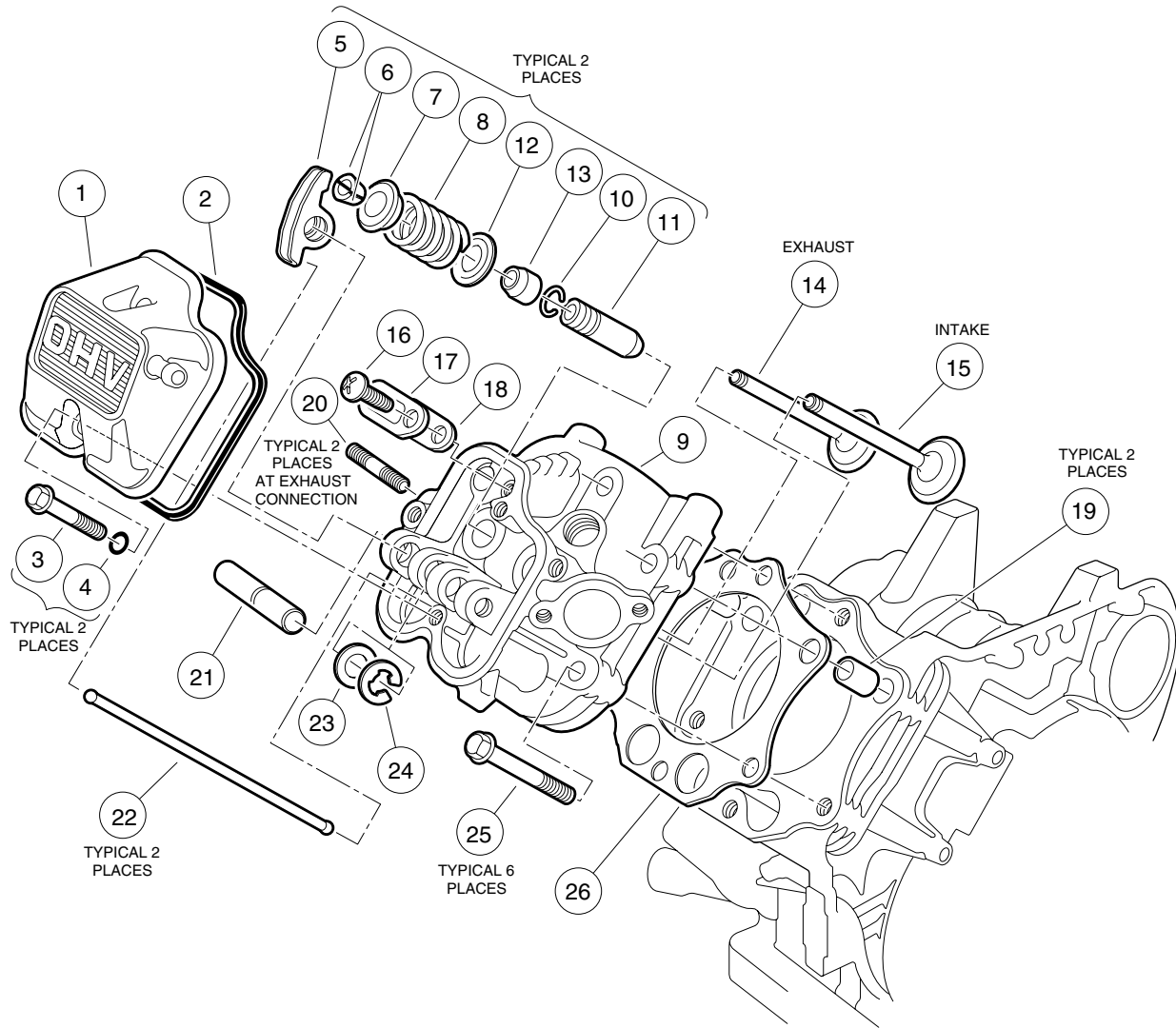


FE350 ENGINE – OIL CIRCULATION

ITEM	PART NO.	DESCRIPTION	QTY
		1 2 3 4	
1	1016467	Oil Filter	1
2	1016502	Bracket, Oil Filter	1
3	1016457	Bolt, Flanged Hex-Head, M6 x 1 x 40 mm	2
4	1017507	Plug	2
5	1016570	O-Ring, Oil Filter Mount	1
6	1016432	Gasket, Drain Plug	1
7	1016576	Plug, Drain	1
8	1017456	Screw, Flanged Hex-Head, M6 x 1 x 12 mm	6
9	1017460	Cover, Pump	1
10	1017442	Gasket, Oil Pump	1
11	1016473	Plate, Oil Pump	1
12	101648203	Pump, Oil and Rotor	1
13	1017458	Filter	1
14	1016429	Seat, Valve	1
15	1016537	Ball, Steel Pressure Relief	1
16	1016581	Spring	1

7
G

FE350 ENGINE

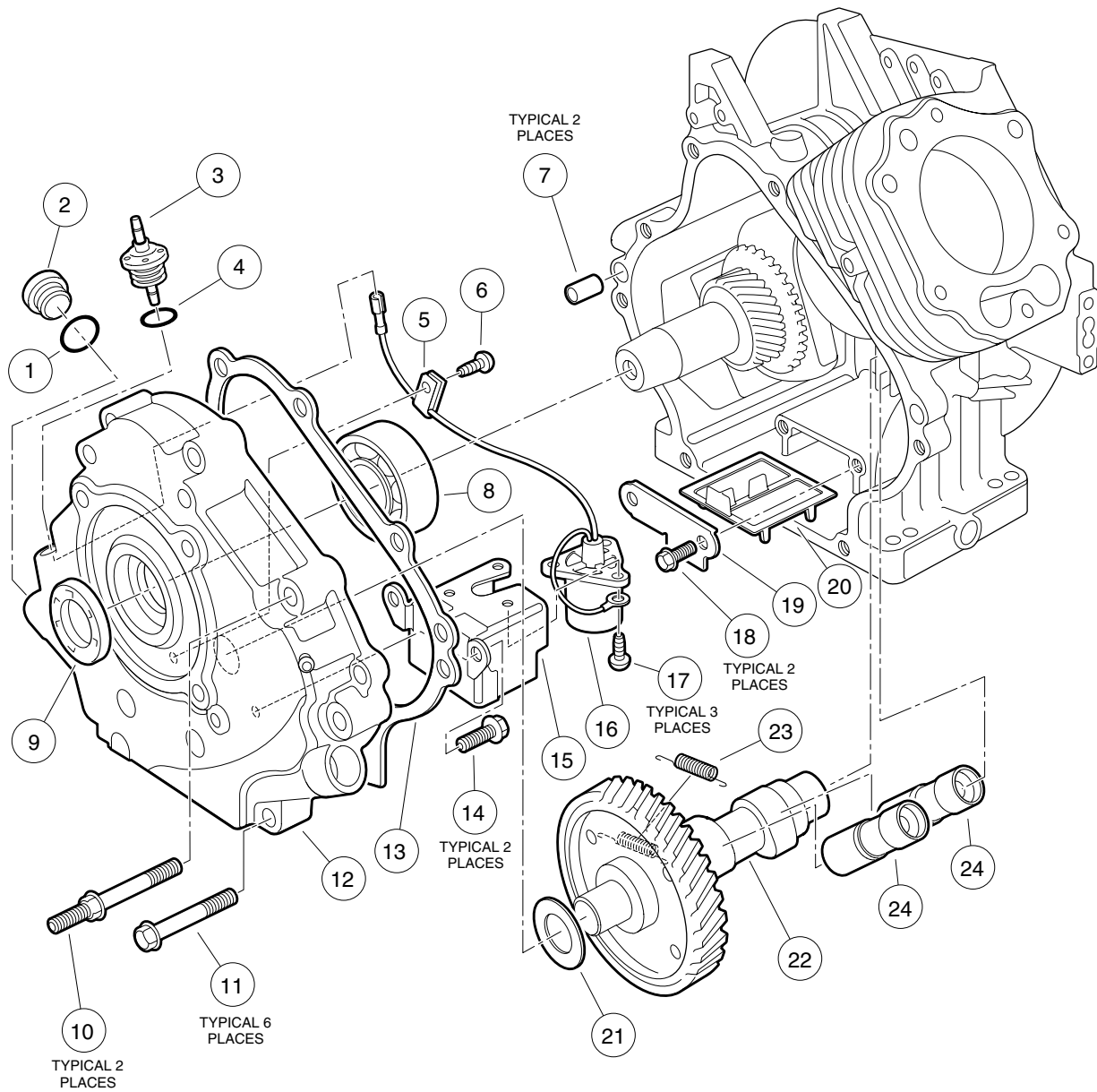


FE350 ENGINE – CYLINDER HEAD

ITEM	PART NO.	DESCRIPTION	QTY
		1 2 3 4	
1	1016442	Case, Rocker	1
2	1016436	Gasket, Rocker Case	1
3	1016583	Bolt, Flanged, M6 x 1 x 35 mm	2
4	1016569	O-Ring	2
5	1017446	Arm, Rocker	2
6	1016450	Collet	4
7	1016449	Retainer, Valve Spring	2
8	1017473	Spring, Engine Valve	2
9	1017435	Assembly, Cylinder Head, FE350 (includes items 10 and 11)	1
10	1016560	Ring, Snap	2
11	1016519	Guide, Intake Valve	1
11	1016518	Guide, Exhaust Valve	1
12	1016479	Seat, Spring	2
13	1016566	Seal, Valve	2
14	1017445	Valve, Exhaust	1
15	1017444	Valve, Intake	1
16	1016544	Screw, Cross Pan-Head Self-Tapping, M5 x 0.8 x 12 mm	1
17	1016474	Plate	1
18	1016483	Valve	1
19	1016563	Pin, Hollow	2
20	1016489	Bolt, Stud, M8 x 1.25 x 29 mm	2
21	1016452	Shaft, Rocker	1
22	1017454	Rod, Push	2
23	1016549	Washer, Flat, M12	1
24	1016517	Circlip, Type-E	1
25	1016458	Bolt, Flanged, M8 x 1.25 x 45 mm	6
26	1017434	Gasket, Head	1
27	102304801	Kit, Gasket, FE350 (contains one each of all internal gaskets for FE350 engine) (not shown)	1

7
G

FE350 ENGINE

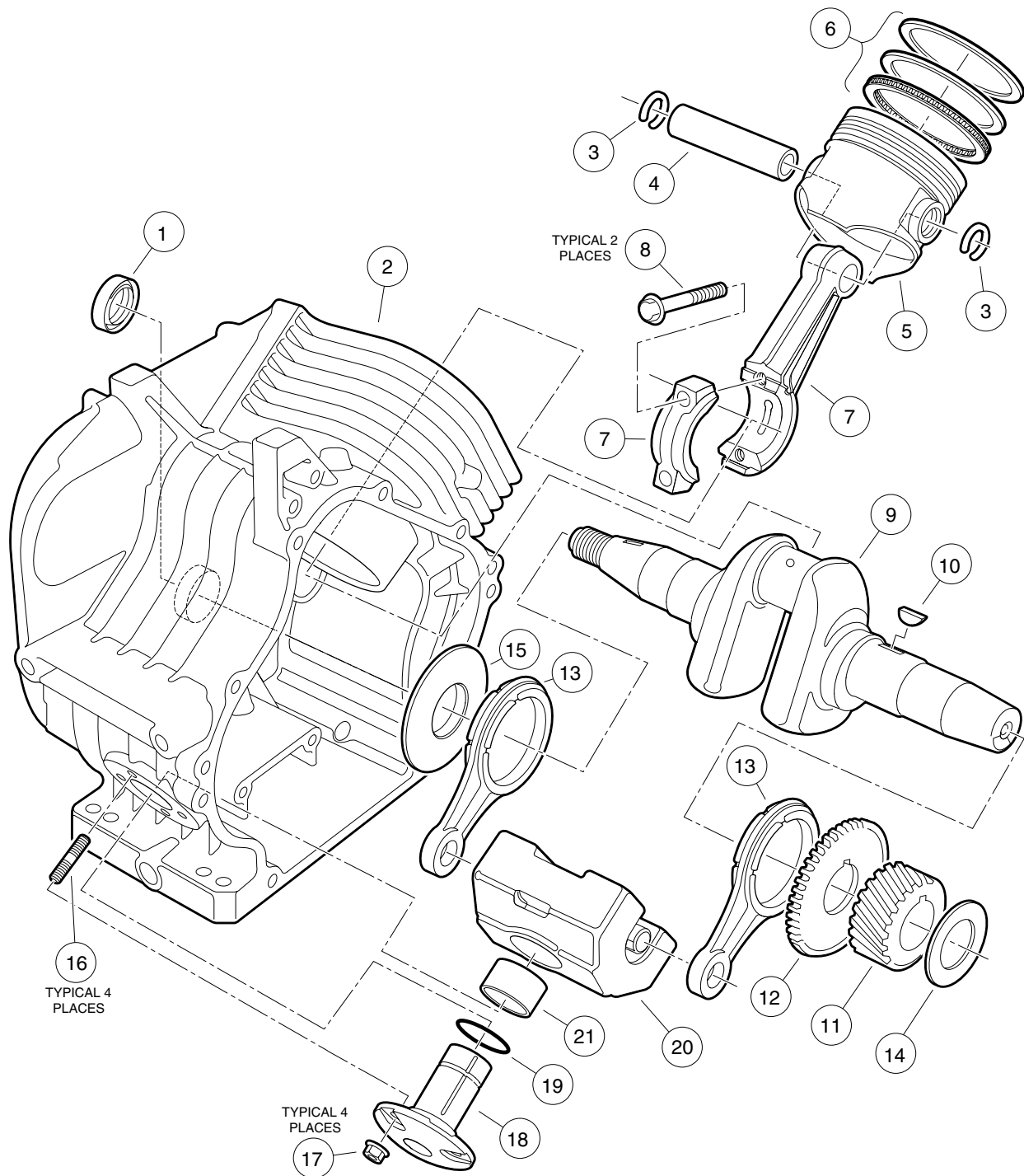


FE350 ENGINE – CRANKCASE, CAMSHAFT AND OIL SENSOR

ITEM	PART NO.	DESCRIPTION	QTY
		1 2 3 4	
1	1016538	O-Ring	1
2	1017508	Plug	1
3	1016535	Connector, Cord	1
4	1016538	O-Ring	1
5	1016506	Clamp	1
6	1016544	Screw, Cross Pan-Head Self-Tapping, M5 x 0.8 x 12 mm	1
7	1016564	Pin, Hollow	2
8	1017487	Bearing, Crankshaft	1
9	1017504	Seal, Crankshaft	1
10	1016584	Bolt, 2-Ended Flanged, M8 x 1.25 x 69 mm	2
11	1017514	Bolt, Flanged, M8 x 1.25 x 45 mm	6
12	1017472	Cover, Crankcase	1
13	1017443	Gasket, Crankcase Cover	1
14	1017513	Bolt, Flanged, M6 x 1 x 12 mm	2
15	1016510	Bracket, Oil Level Switch	1
16	1016494	Sensor, Oil Level	1
17	1016496	Screw, Cross Pan-Head, M4 x 0.7 x 8 mm	3
18	1016454	Bolt, Flanged, M5 x 0.8 x 8 mm	2
19	1016472	Plate, Oil Filter Screen	1
20	1016521	Screen, Oil Filter	1
21	101751801	Shim, 0.3 mm Thick	A/R
21	101751802	Shim, 0.4 mm Thick	A/R
21	101751803	Shim, 0.5 mm Thick	A/R
22	101915901	Camshaft (with automatic compression release) (for engines with serial numbers lower than 094171) (includes item 23)	1
22	102271601	Camshaft (with automatic compression release) (for engines with serial numbers 094171 and greater) (includes item 23)	1
23	1017511	Spring	1
24	1017447	Lifter, Hydraulic	2
25	102304801	Kit, Gasket, FE350 (contains one each of all internal gaskets for FE350 engine) (not shown)	1

7
G

FE350 ENGINE

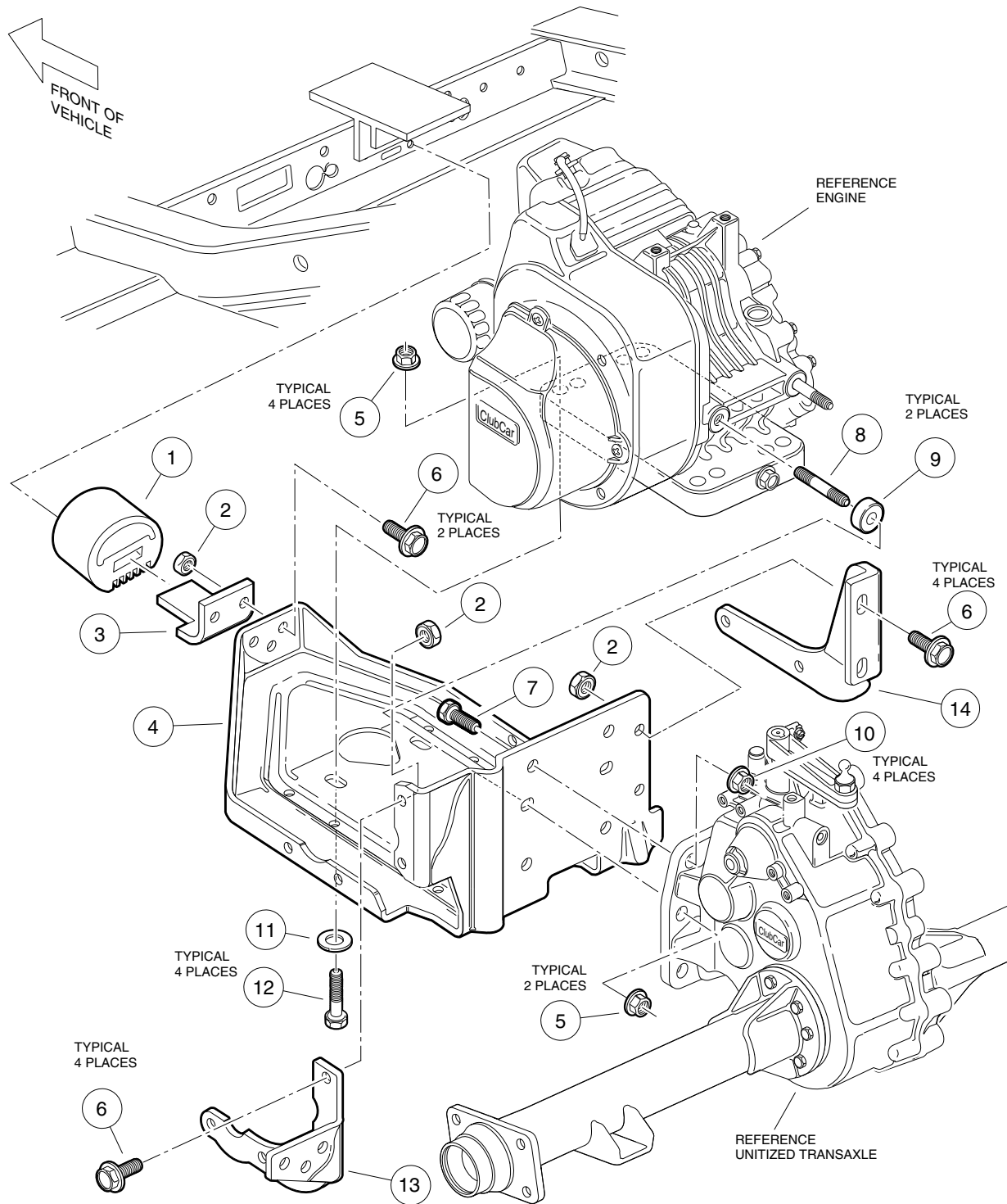


FE350 ENGINE – CRANKCASE AND CRANKSHAFT

ITEM	PART NO.	DESCRIPTION	QTY
		1 2 3 4	
1	1017503	Seal, Oil	1
2	101916001	Crankcase, FE350 (clockwise rotation)	1
3	1017502	Ring, Snap	2
4	1017450	Pin, Piston	1
5	101744901	Piston, Standard	1
5	101744902	Piston, .50 mm Oversized	1
6	101745101	Ring Set, Piston, Standard	1
6	101745102	Ring Set, Piston, .50 mm Oversized	1
7	101745701	Assembly, Connecting Rod, Standard (includes 2 each of item 8)	1
7	101745702	Assembly, Connecting Rod, .50 mm Undersized (includes 2 each of item 8)	1
8	102272201	Bolt, Hex-Head, M8 x 1.25 x 42 mm	2
9	101922302	Crankshaft, FE350 (left-hand threads) (for engines with serial numbers lower than 094171) (includes items 10 - 12 and one each of item 13)	1
9	102430901	Crankshaft, FE350 (left-hand threads) (for engines with serial numbers 094171 and greater (includes items 10 - 12 and one each of item 13)	1
10	1016562	Key	1
11	N/A	Gear, Helical	1
12	N/A	Gear, Spur	1
13	1017471	Rod, Connecting	2
14	101773301	Shim, Crankshaft, 1.18 mm Thick	A/R
14	101773302	Shim, Crankshaft, 1.25 mm Thick	A/R
14	101773303	Shim, Crankshaft, 1.32 mm Thick	A/R
14	101773304	Shim, Crankshaft, 1.39 mm Thick	A/R
14	101773305	Shim, Crankshaft, 1.46 mm Thick	A/R
14	101773306	Shim, Crankshaft, 1.53 mm Thick	A/R
14	101773307	Shim, Crankshaft, 1.60 mm Thick	A/R
14	101773308	Shim, Crankshaft, 1.67 mm Thick	A/R
14	101773309	Shim, Crankshaft, 1.74 mm Thick	A/R
14	101773310	Shim, Crankshaft, 1.11 mm Thick	A/R
14	101773311	Shim, Crankshaft, 1.81 mm Thick	A/R
15	1017501	Spacer	1
16	1016541	Bolt, Stud, M6 x 1 x 22 mm	4
17	1016547	Nut, Flanged, M6 x 1	4
18	1016470	Shaft, Guide Counterbalance	1
19	1016571	O-Ring	1
20	1017453	Weight, Counterbalance (includes item 21)	1
21	1017510	Bearing	1

7
G

7
G



ENGINE MOUNTING

ITEM	PART NO.	DESCRIPTION	QTY
		1 2 3 4	
1	1012164	Snubber	1
2	1013924	Nut, Hex Lock, 5/16-24, UNF	6
3	101834601	Bracket, Snubber	1
4	101827101	Plate, Mounting	1
5	101833001	Nut, Flange, M8 x 1.25	6
6	101884801	Screw, Hex Washer, 5/16-24 x 7/8	10
7	101833301	Screw, Hex-Head Cap, M10 x 1.25 x 30 mm	4
8	101833201	Stud, M8 x 1.25 x 60 mm (Villager 4)	2
8	101833101	Stud, M8 x 1.25 x 50 mm (Villager 6, Villager 8, TransPorter 4, and TransPorter 6 vehicles)	2
9	101832101	Spacer (Villager 4 only)	2
9	1011697	Washer, Flat, 5/16 (Villager 6, Villager 8, TransPorter 4, and TransPorter 6)	2
10	101832901	Nut, Flange, M10 x 1.25	4
11	1012571	Washer, Heavy Flat, 5/16	4
12	101855901	Screw, Hex-Head Cap, M8 x 1.25 x 43 mm	4
13	101832701	Stiffener, Flywheel Side	1
14	101832601	Stiffener, PTO Side (Villager 6, Villager 8, TransPorter 4, and TransPorter 6)	1

7
G

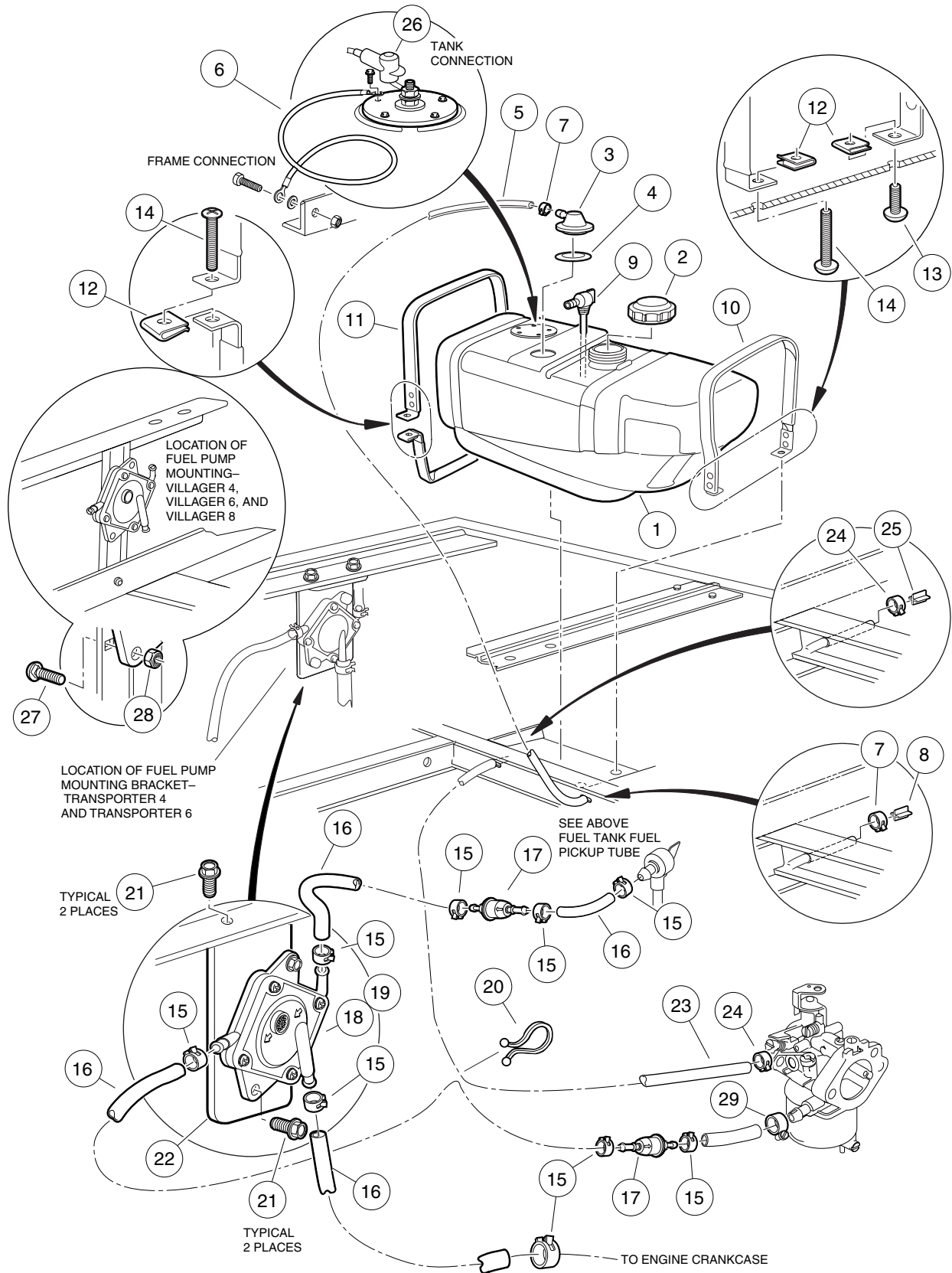
7

G

FUEL, INTAKE, AND GOVERNOR SYSTEMS

8

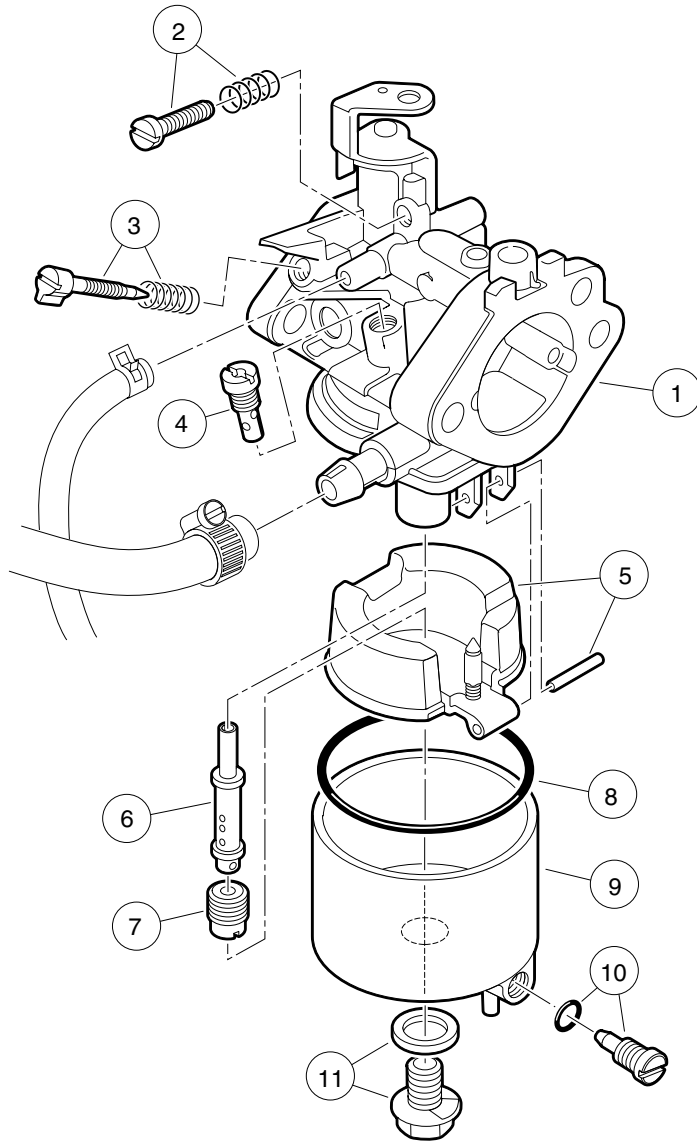
G



FUEL SYSTEM

ITEM	PART NO.	DESCRIPTION	QTY
		1 2 3 4	
1	1016004	Kit, Fuel Tank, with Sending Unit (includes items 2 - 9)	1
2	1015188	Cap, Fuel Tank, Nonvented	1
3	1015143	Assembly, Fuel Tank Vent	1
4	1015139	Grommet, Insulation	1
5	1015137	Line, Bulk Vent (available by the foot)	A/R
6	N/A	Wire Assembly, #16 Black	1
7	1013746	Clamp, Hose – Gray	2
8	101824401	Barb, Vent	1
9	101896901	Valve, Fuel Pickup Tube with Shut-off	1
10	1014928	Assembly, Rear Fuel Strap	1
11	101955301	Assembly, Front Fuel Strap	1
12	1014116	Nut, U-Type Speed, 1/4-20	3
13	8248	Screw, Phillips Truss-Head, 1/4-20 x 3/4	1
14	1011988	Screw, Phillips Truss-Head, 1/4-20 x 2	2
15	1012649	Clamp, Hose – Red	9
16	1013692	Line, Bulk Fuel (available by the foot*)	A/R
17	102003201	Filter, Fuel	2
18	1014523	Pump, Fuel Impulse	1
19	1014524	Kit, Rebuild, Fuel Impulse Pump	A/R
20	101987701	Clamp, Plastic	1
21	1012285	Screw, Thread-Rolling, 1/4-20 x 5/8	4
22	101929501	Bracket, Fuel Pump Mounting (TransPorter 4 and TransPorter 6 only)	1
23	1015137	Line, Bulk Vent (available by the foot)	A/R
24	1013746	Clamp, Hose – Gray	2
25	101824401	Barb, Vent	1
26	N/A	Boot, Rubber	1
27	1017203	Bolt, Carriage, 1/4-20 x 1 (Villager 4, Villager 6, and Villager 8 only)	2
28	8233	Nut, Nylon Lock, 1/4-20 (Villager 4, Villager 6, and Villager 8 only)	2
29	1013687	Clamp, Hose, 3/8	1
		* Total fuel line lengths: Villager 4, Villager 6, and Villager 8 – 47 inches (119.4 cm) TransPorter 4 and TransPorter 6 – 43 inches (109.2 cm)	

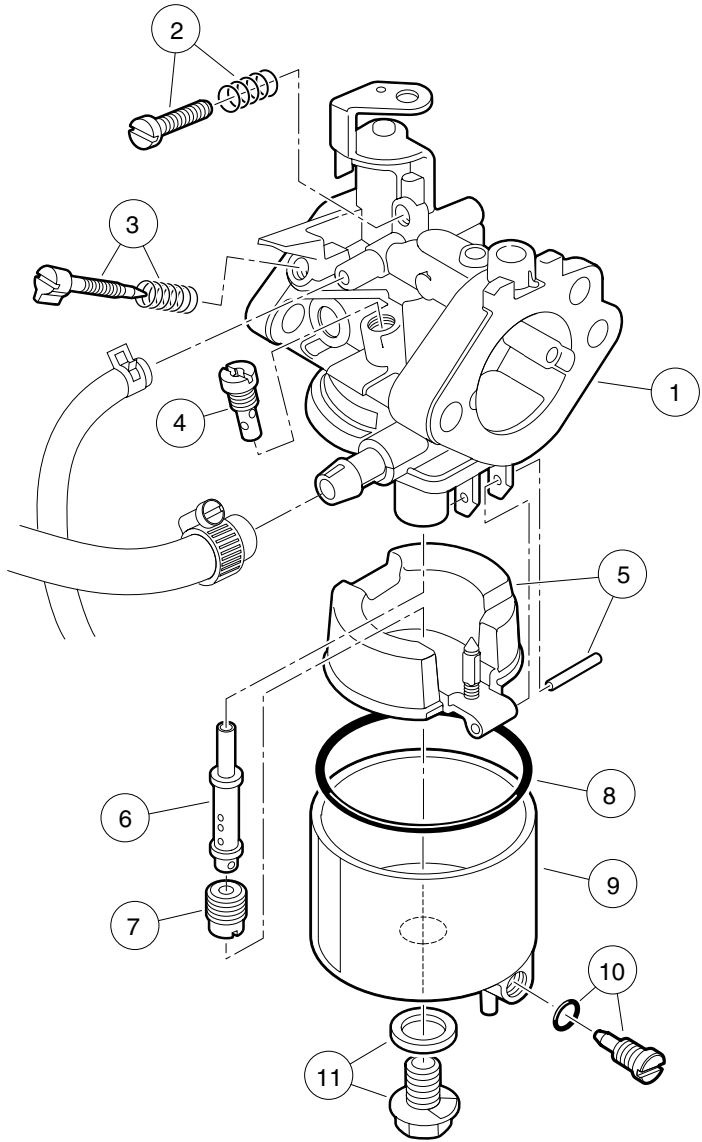
8
G



CARBURETOR ASSEMBLY, FE290 ENGINE – VILLAGER 4

ITEM	PART NO.	DESCRIPTION	QTY
		1 2 3 4	
1	101905601	Assembly, Carburetor (FE290 engine) (includes items 2 - 11)	1
2	1016501	Assembly, Idle Screw	1
3	N/A	Assembly, Pilot Air Screw	1
4	101973101	Jet, Pilot, #40	1
5	1016486	Assembly, Float	1
6	101973201	Nozzle, Main (FE290 engine)	1
		Standard Jetting:	
7	101642582	Jet, Main, 0 - 3,000 Feet (0 - 914.4 m)	1
7	101642580	Jet, Main, 3,000 - 5,000 Feet (914.4 - 1524 m)	A/R
7	101642578	Jet, Main, 5,000 - 8,000 Feet (1524 - 2438.4 m)	A/R
7	101642575	Jet, Main, 8,000 - 10,000 Feet (2438.4 - 3048 m)	A/R
7	101642572	Jet, Main, 10,000 Feet and Above (3048 m and above)	A/R
8	1016437	Gasket, Float Chamber	1
9	1017461	Assembly, Float Chamber (includes item 10)	1
10	1016499	Assembly, Screw	1
11	1016585	Assembly, Bolt	1

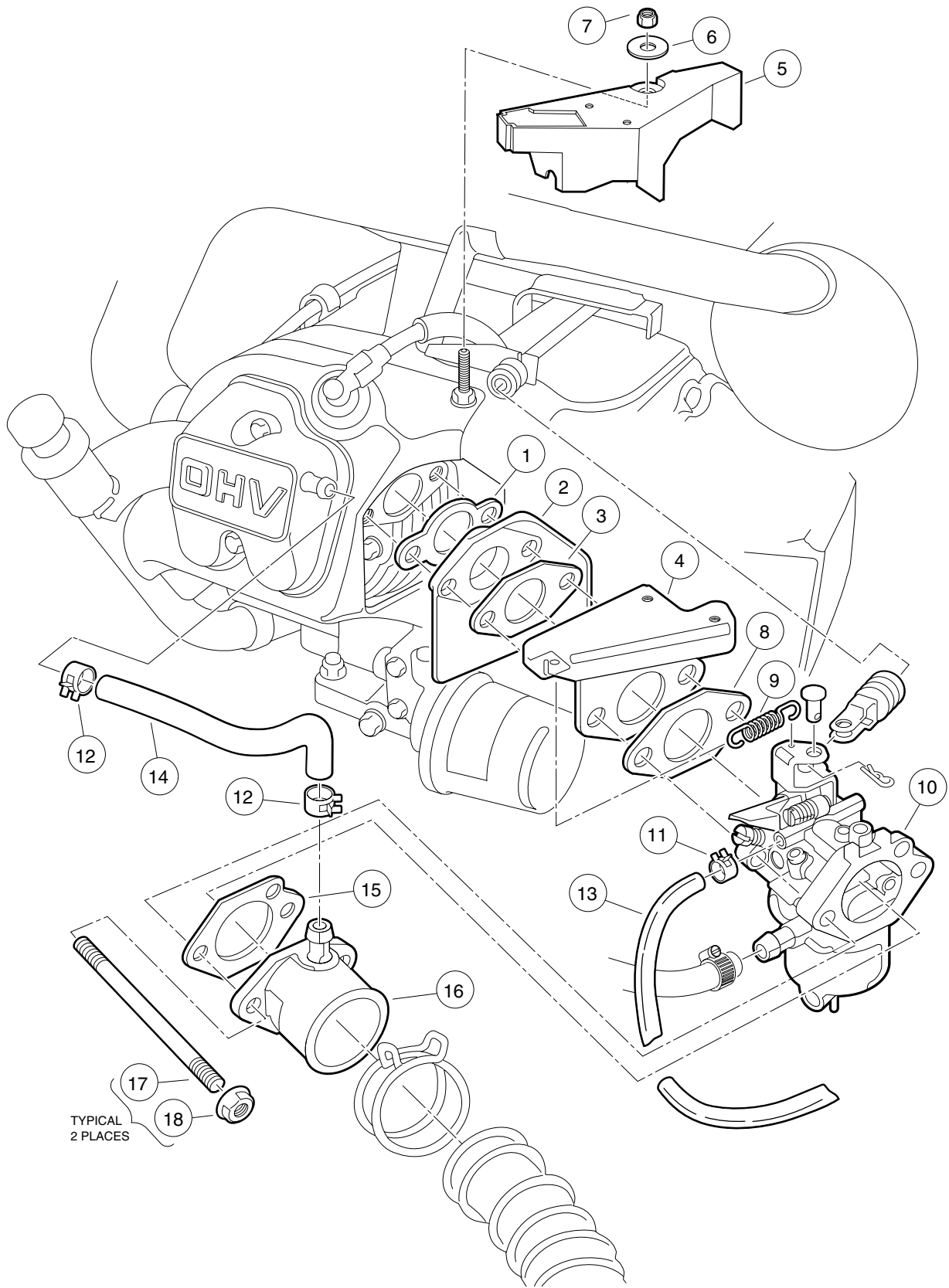
8
G



CARBURETOR ASSEMBLY, FE350 ENGINE – VILLAGER 6, VILLAGER 8, TRANSPORTER 4, AND TRANSPORTER 6

ITEM	PART NO.	DESCRIPTION	QTY
		1 2 3 4	
1	101905901	Assembly, Carburetor (FE350 engine) (includes items 2 - 11)	1
2	1016501	Assembly, Idle Screw	1
3	N/A	Assembly, Pilot Air Screw	1
4	101973101	Jet, Pilot, #40	1
5	1016486	Assembly, Float	1
6	101973301	Nozzle, Main (FE350 engine)	1
		Standard Jetting:	
7	101642585	Jet, Main, 0 - 3,000 Feet (0 - 914.4 m)	1
7	101642582	Jet, Main, 3,000 - 5,000 Feet (914.4 - 1524 m)	A/R
7	101642580	Jet, Main, 5,000 - 8,000 Feet (1524 - 2438.4 m)	A/R
7	101642578	Jet, Main, 8,000 - 10,000 Feet (2438.4 - 3048 m)	A/R
7	101642575	Jet, Main, 10,000 Feet and Above (3048 m and above)	A/R
8	1016437	Gasket, Float Chamber	1
9	1017461	Assembly, Float Chamber (includes item 10)	1
10	1016499	Assembly, Screw	1
11	1016585	Assembly, Bolt	1

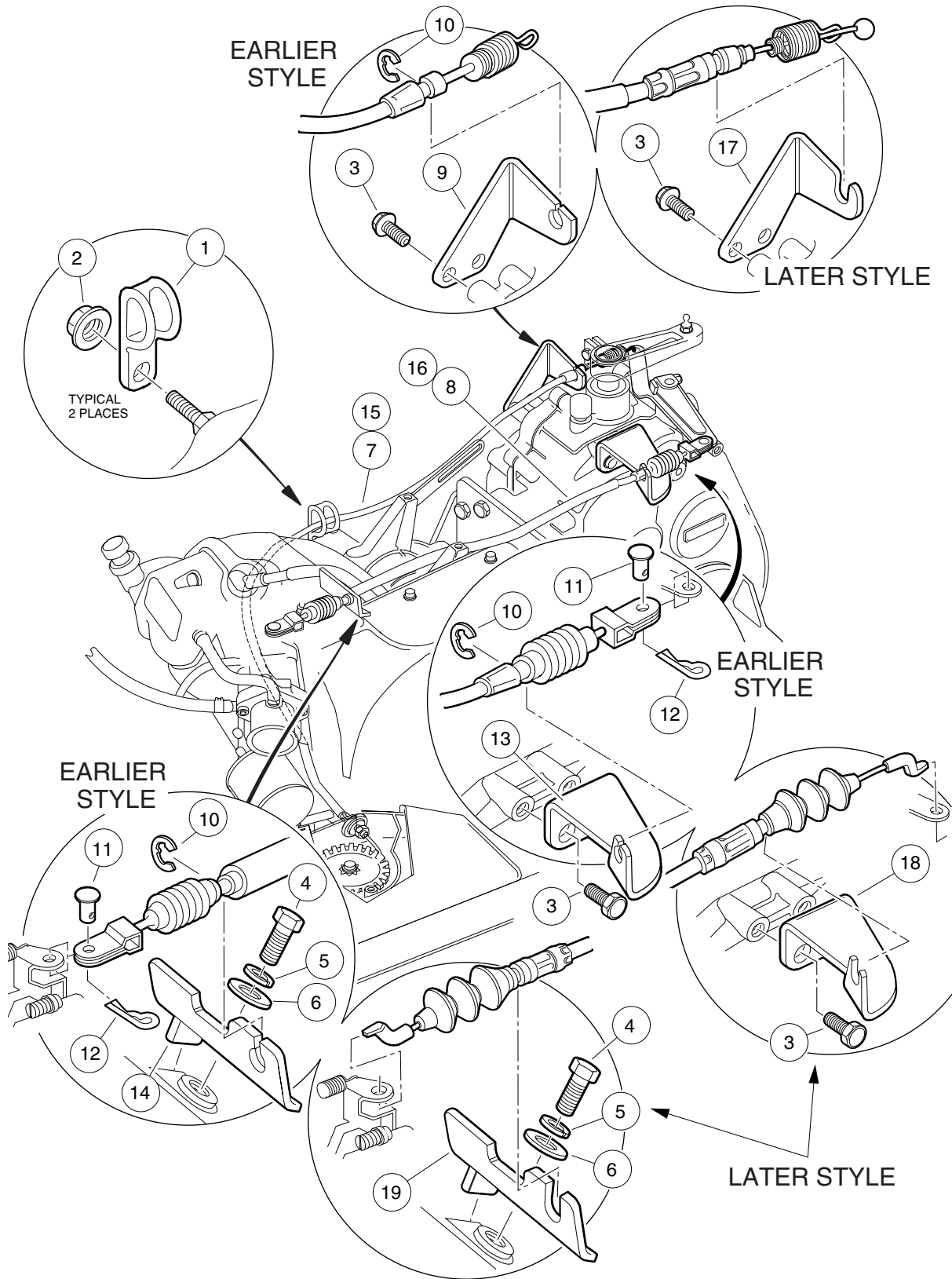
8
G



CARBURETOR INSTALLATION

ITEM	PART NO.	DESCRIPTION	QTY
		1 2 3 4	
1	1016440	Gasket, Insulator	1
2	101648102	Insulator, Carburetor	1
3	1016439	Gasket, Carburetor Insulator to Throttle Bracket (Villager 4)	1
3	101973401	Gasket, Carburetor Insulator to Throttle Bracket (Villager 6, Villager 8, TransPorter 4, and TransPorter 6)	1
4	1016444	Bracket, Throttle	1
5	101820201	Guard, Governor (Villager 4 only)	1
6	1011697	Washer, Flat, 5/16 (Villager 4 only)	1
7	101887601	Nut, Nylon Lock, M6 x 1 (Villager 4 only)	1
8	1016441	Gasket, Throttle Bracket to Carburetor	1
9	1016582	Spring, Throttle Return	1
10	101905601	Assembly, Carburetor (Villager 4)	1
10	101905901	Assembly, Carburetor (Villager 6, Villager 8, TransPorter 4, and TransPorter 6)	1
11	1013746	Clamp, Hose – Gray	1
12	1017466	Clamp, Hose – Bronze	2
13	1015137	Line, Bulk Vent	A/R
14	1016572	Tube, Crankcase Vent	1
15	1016438	Gasket, Carburetor to Intake Manifold	1
16	1016480	Pipe, Intake	1
17	101649002	Screw, 2-Ended Stud, M6 x 1 x 90mm	2
18	1016547	Nut, Flanged, M6 x 1	2

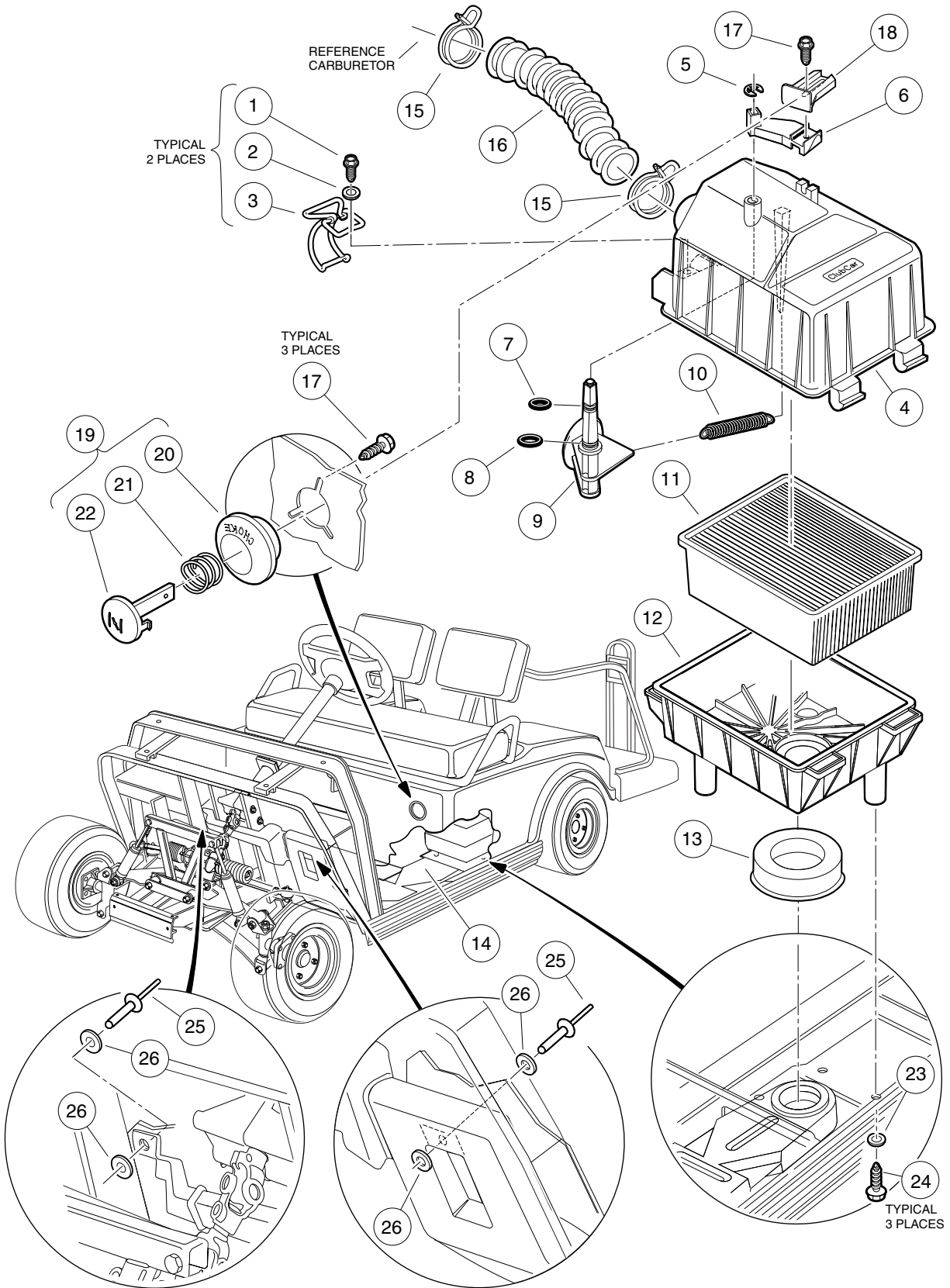
8
G



GOVERNOR AND ACCELERATOR CABLES

ITEM	PART NO.	DESCRIPTION	QTY
		1 2 3 4	
1	1013700	Clamp, Cable Retaining	2
2	1016546	Nut, Flanged Hex, M8 x 1.25	2
3	1012285	Screw, Thread Rolling, 1/4-20 x 5/8	4
4	101903501	Screw, Hex-Head Cap, M8 x 1.25 x 24 mm	1
5	7174	Washer, Lock, 5/16	1
6	1011697	Washer, Flat, 5/16	1
		Earlier style cables (2001, 2002, and early 2003 models)*:	
7	101832501	Cable, Accelerator	1
8	101832401	Cable, Governor (Villager 4 only)	1
8	101832402	Cable, Governor (Villager 6, Villager 8, TransPorter 4, and TransPorter 6)	1
9	101832301	Bracket, Accelerator Support	1
10	1016202	E-Ring	3
11	1015408	Pin, Governor Cable Clevis	2
12	1014413	Pin, Hair Spring Cotter, 1/8 I.D. x 5/8	2
13	101832201	Bracket, Support	1
14	1015845	Bracket, Governor Cable Engine	1
		Later style cables (beginning mid-model year 2003)*:	
15	102336101	Cable, Accelerator, Snap-in	1
16	102336001	Cable, Governor, Snap-in	1
17	101832302	Bracket, Accelerator Support	1
18	101832202	Bracket, Support	1
19	101584502	Bracket, Governor Cable Engine.....	1
		* Brackets and cables must be of the same style.	

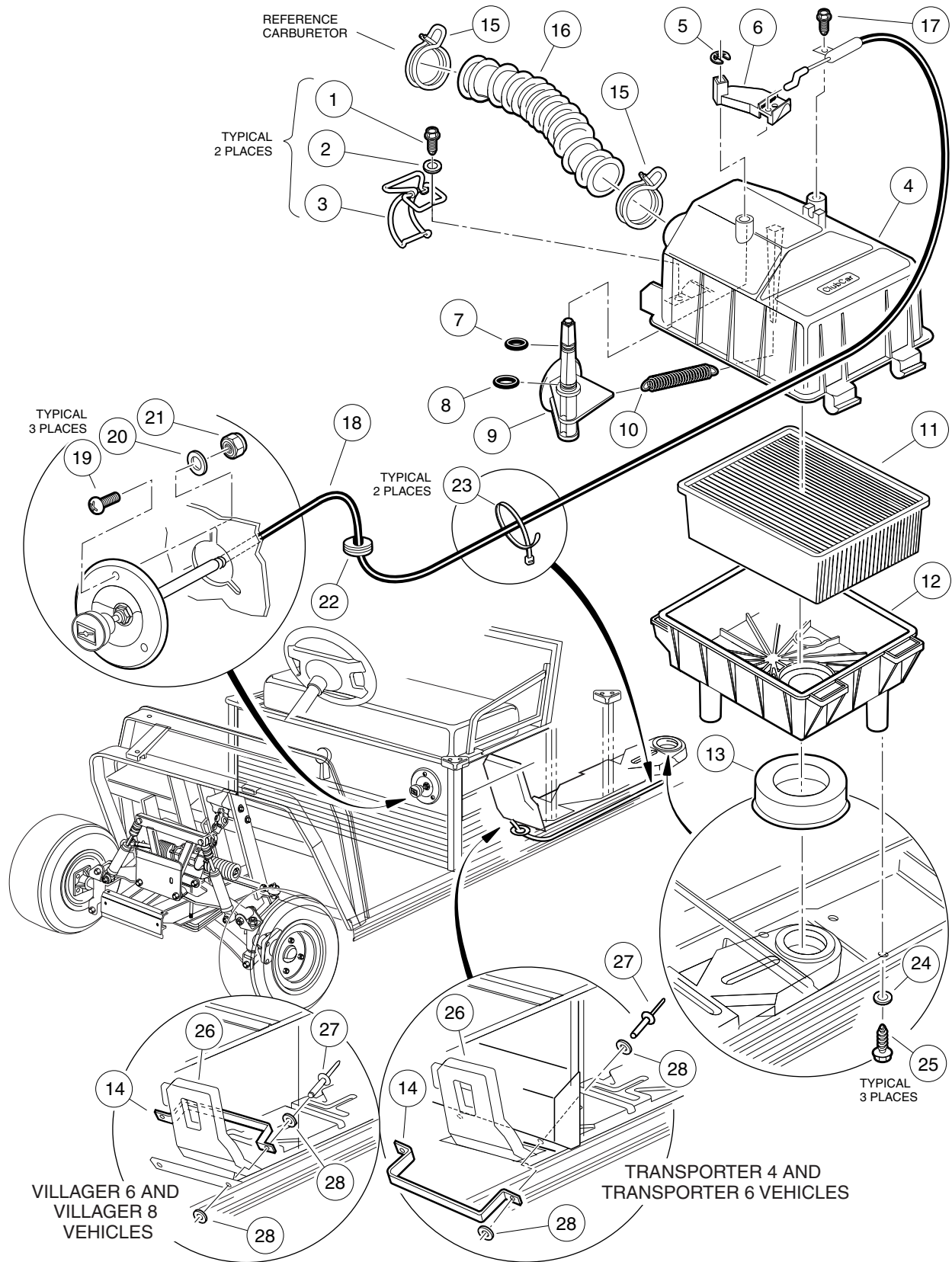




INTAKE DUCT, CHOKE, AND AIR BOX ASSEMBLY – VILLAGER 4

ITEM	PART NO.	DESCRIPTION	QTY
		1 2 3 4	
	101821501	Assembly, Air Box (includes items 1 - 13)	1
1	101804301	Screw, Hi-Lo Hex-Head, #8-1/2	2
2	101881701	Washer, Stainless Steel, #8	2
3	101925701	Latch, Wire	2
4	101972801	Assembly, Air Box Top (includes items 5 - 10)	1
5	101813001	E-Clip	1
6	101917601	Lever, Choke	1
7	N/A	O-Ring, 5/16 (red)	1
8	N/A	O-Ring, 3/8 (green)	1
9	N/A	Valve, Choke	1
10	101812301	Spring, Return	1
11	1015426	Filter, Air	1
12	101811901	Bottom, Air Box	1
13	101921501	Seal, Intake	1
14	101958101	Assembly, Air Duct	1
15	101971301	Clamp, Hose (air intake)	2
16	101837101	Hose, Intake	1
17	101850301	Screw, Hi-Lo, #12 x 1/2	4
18	101917701	Positioner, Choke	1
19	101805701	Assembly, Choke Button (includes items 20, 21 and 22)	1
20	101811501	Guide, Choke Lever	1
21	101856201	Spring, Compression	1
22	101811401	Lever, Choke	1
23	332	Washer, Flat, 1/4	3
24	1015752	Screw, Hi-Lo, #12-16 x 5/8	3
25	1606	Rivet, Pop, 3/16	2
26	183	Washer, Flat, #10	4

8
G



INTAKE DUCT, CHOKE, AND AIR BOX ASSEMBLY – VILLAGER 6 AND 8, TRANSPORTER 4 AND 6

ITEM	PART NO.	DESCRIPTION	QTY
		1 2 3 4	
	101821501	Assembly, Air Box (includes items 1 - 13)	1
1	101804301	Screw, Hex-Head Hi-Lo, #8-1/2	2
2	101881701	Washer, Stainless Steel, #8	2
3	101925701	Latch, Wire	2
4	101972801	Assembly, Air Box Top (includes items 5 - 10)	1
5	101813001	E-Clip	1
6	101917601	Lever, Choke	1
7	N/A	O-Ring, 5/16 (red)	1
8	N/A	O-Ring, 3/8 (green)	1
9	N/A	Valve, Choke	1
10	101812301	Spring, Return	1
11	1015426	Filter, Air	1
12	101811901	Bottom, Air Box	1
13	101921501	Seal, Intake	1
14	101825701	Bracket, Retaining	1
15	101971301	Clamp, Hose (air intake)	2
16	101837101	Hose, Intake	1
17	101804301	Screw, Hex-Head Hi-Lo, #8 x 1/2	1
18	101926802	Cable, Choke (Villager 6, TransPorter 4, and TransPorter 6)	1
18	101926803	Cable, Choke (Villager 8)	1
19	1631	Screw, Pan-Head, #10-24 x 3/4	3
20	183	Washer, #10	3
21	1012438	Nut, Nylon Lock, #10-24	3
22	1015139	Grommet (TransPorter 4 and TransPorter 6 only)	1
23	8168	Tie, Wire	2
24	332	Washer, Flat, 1/4	3
25	1015752	Screw, Hi-Lo, #12-16 x 5/8	3
26	101811301	Duct, Air	1
27	7973	Rivet, Pop, 3/16	2
28	183	Washer, Flat, #10	4

8
G

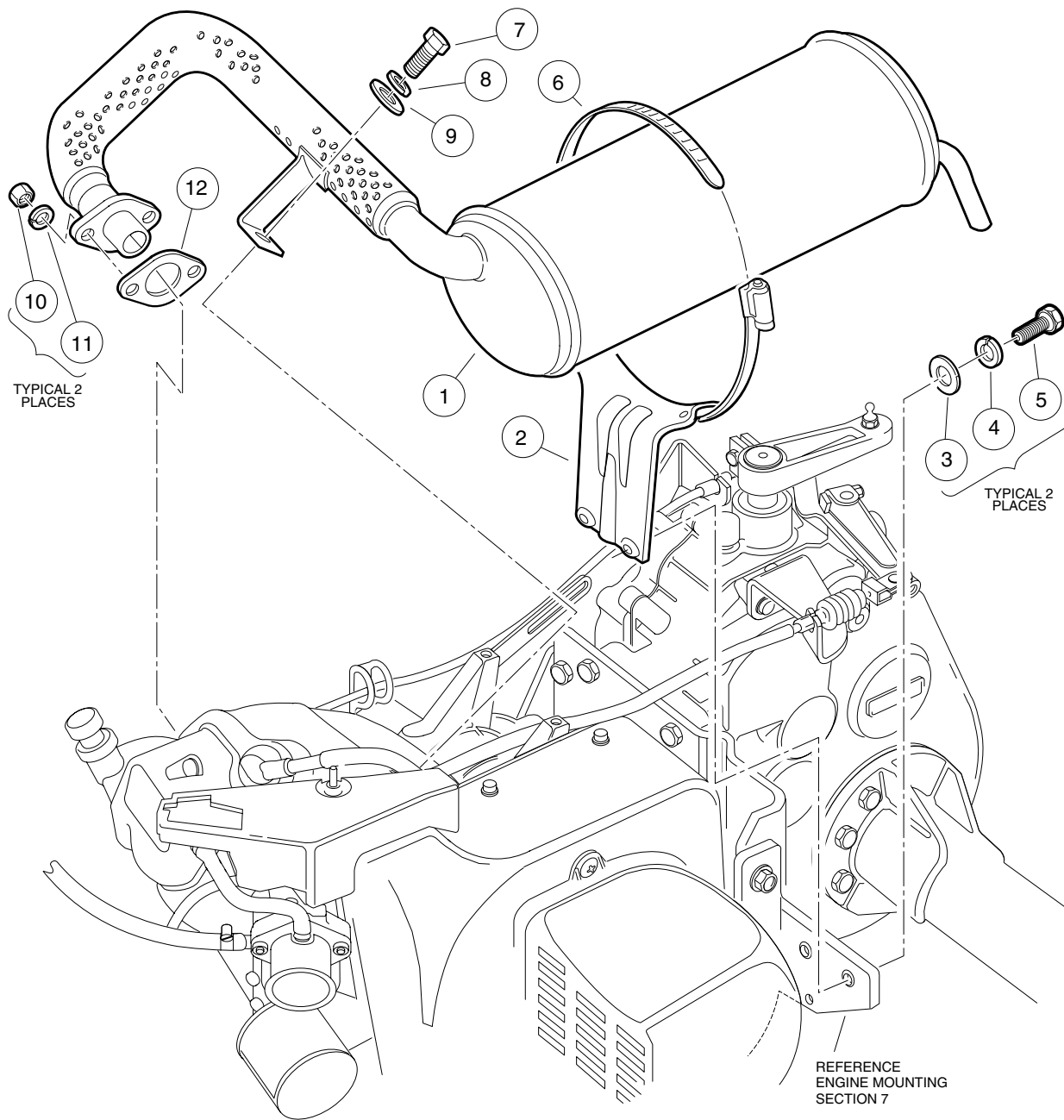
8

G

EXHAUST SYSTEM

9

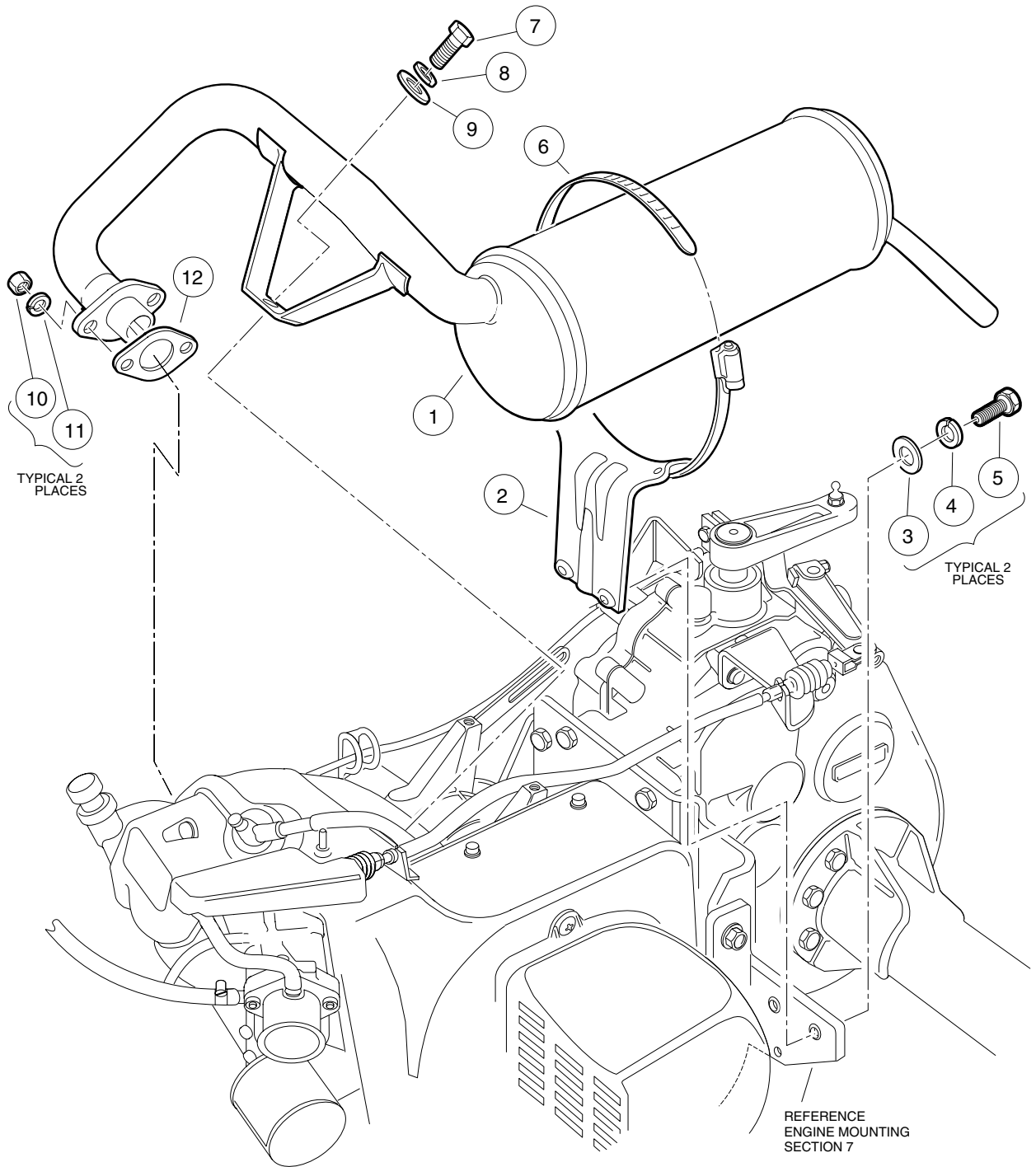
G



EXHAUST SYSTEM, FE290 – VILLAGER 4

ITEM	PART NO.	DESCRIPTION	QTY
		1 2 3 4	
1	101859301	System, Exhaust	1
2	1015814	Bracket, Muffler Mounting	1
3	332	Washer, Flat, 1/4	2
4	451	Washer, Lock, 1/4	2
5	7847	Screw, Hex-Head, 1/4-20 x 3/4	2
6	1017689	Clamp, Muffler	1
7	1012830	Screw, Hex-Head Cap, M8 x 1.25 x 22 mm	1
8	7174	Washer, Lock, 5/16	1
9	1241	Washer, Flat, 5/16	1
10	1012528	Nut, Hex, M8 x 1.25	2
11	1013734	Washer, Lock, 8 mm	2
12	1015330	Gasket, Exhaust	1

9
G



EXHAUST SYSTEM, FE350 – VILLAGER 6, VILLAGER 8, TRANSPORTER 4, AND TRANSPORTER 6

ITEM	PART NO.	DESCRIPTION	QTY
		1 2 3 4	
1	101859401	System, Exhaust	1
2	1015814	Bracket, Muffler Mounting	1
3	332	Washer, Flat, 1/4	2
4	451	Washer, Lock, 1/4	2
5	7847	Screw, Hex-Head Cap, 1/4-20 x 3/4	2
6	1017689	Clamp, Muffler	1
7	1012830	Screw, Hex-Head Cap, M8 x 1.25 x 22mm	1
8	7174	Washer, Lock, 5/16	1
9	1011697	Washer, Flat, 5/16	1
10	1012528	Nut, Hex, M8 X 1.25	2
11	1013734	Washer, Lock, 8mm	2
12	1016904	Gasket, Exhaust	1

9
G

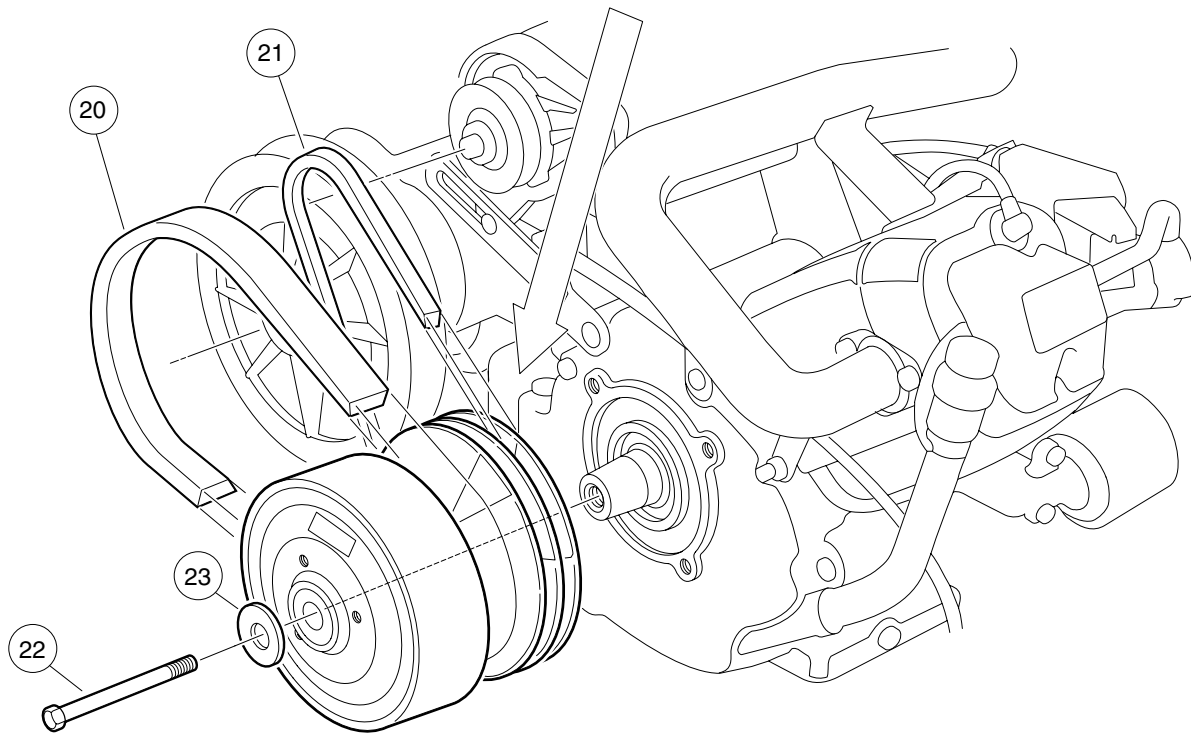
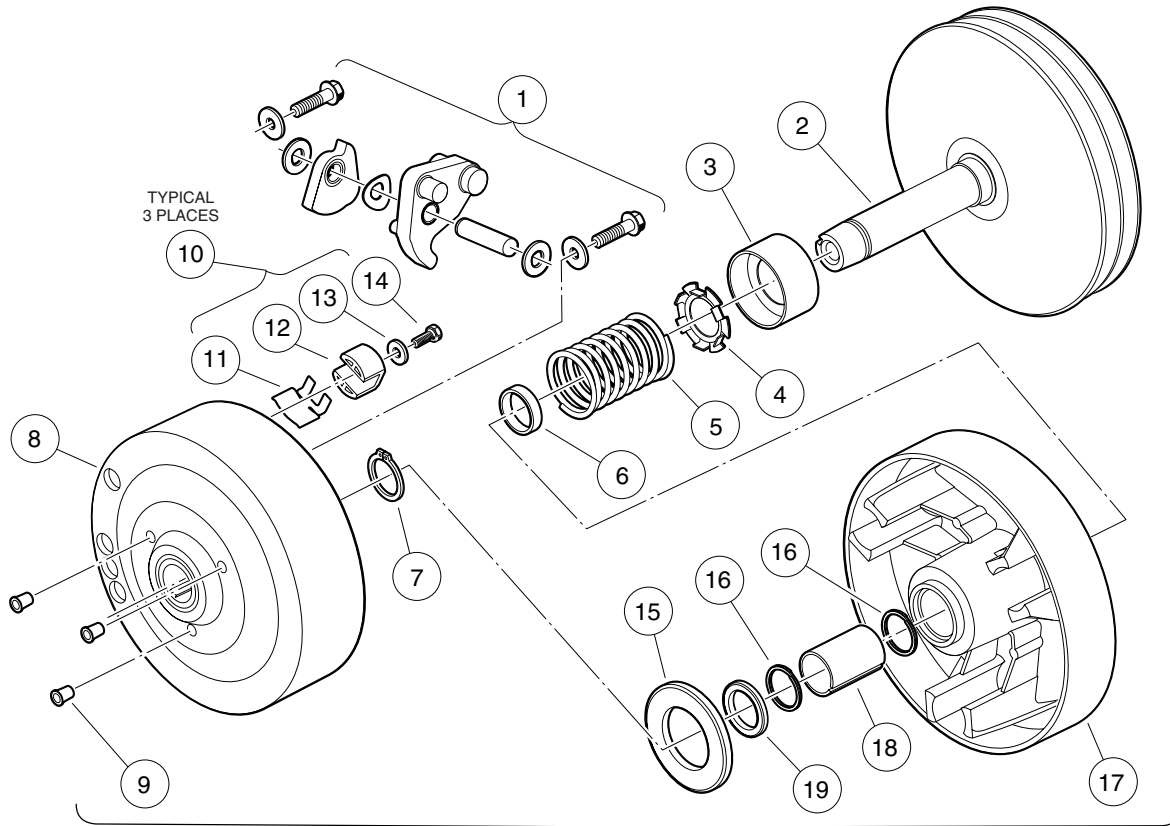
9

G

TORQUE CONVERTER

10

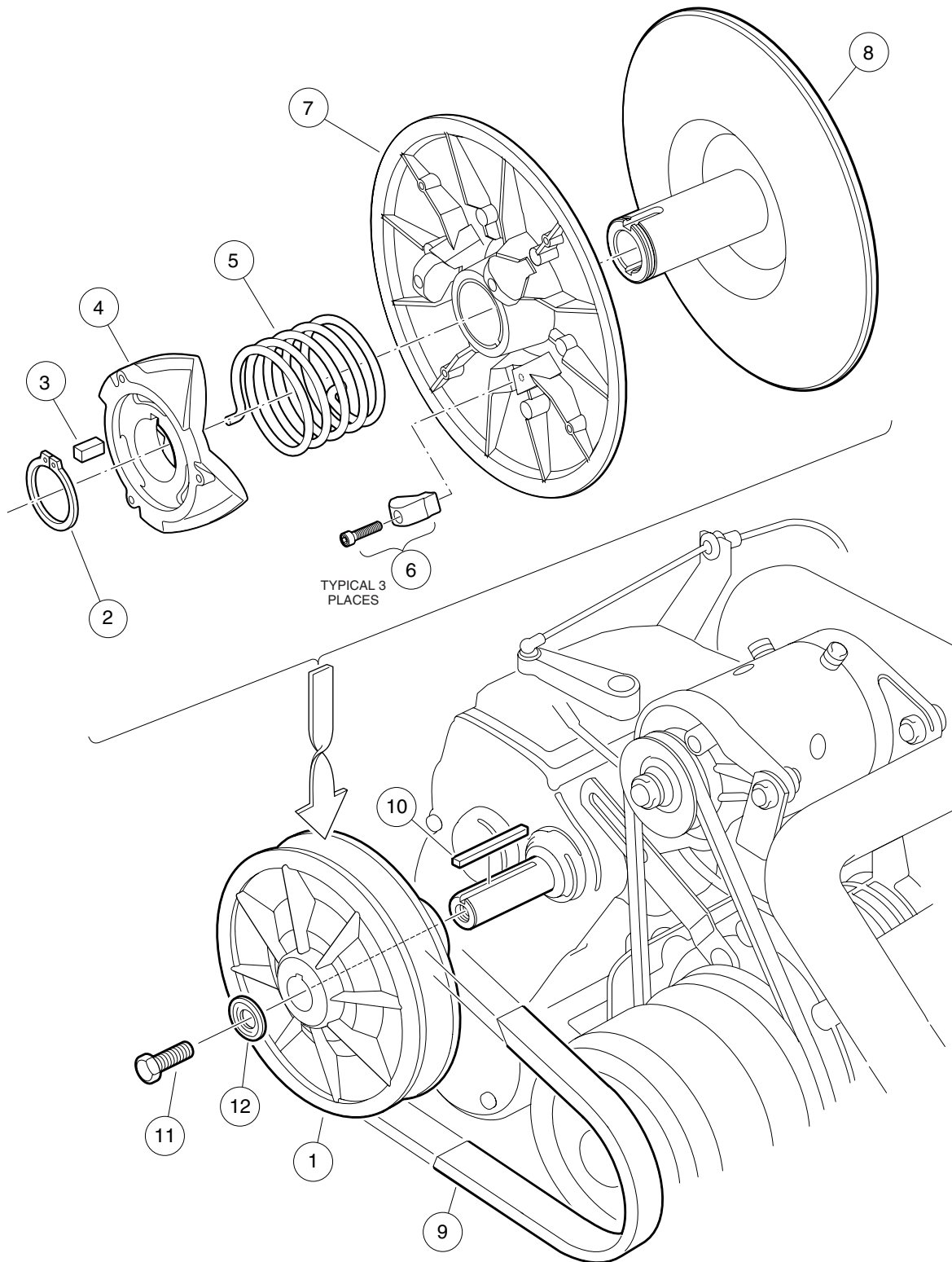
G



DRIVE CLUTCH

ITEM	PART NO.	DESCRIPTION	QTY
		1 2 3 4	
	101833902	Assembly, Drive Clutch (Villager 4) (includes items 1 - 19)	1
	101833904	Assembly, Drive Clutch (Villager 6, Villager 8, TransPorter 4, and TransPorter 6) (includes items 1 - 19)	1
1	1016801	Kit, Drive Clutch Weight	1
2	101929801	Assembly, Fixed Face (Villager 4)	1
2	101738301	Assembly, Fixed Face (Villager 6, Villager 8, TransPorter 4, and TransPorter 6)	1
3	1014049	Bearing, Idler	1
4	1014050	Retainer, Spring	1
5	1014051	Spring, Drive Clutch – Black (Villager 4)	1
5	1016901	Spring, Drive Clutch – Green (Villager 6, Villager 8, TransPorter 4, and TransPorter 6)	1
6	1016289	Spacer, Fixed Face Shaft	1
7	1014057	Ring, Retaining	1
8	1014059	Assembly, Drive Hub	1
9	N/A	Plug, Drive Clutch	3
10	1014453	Kit, Drive Clutch Button (includes item 11 - 14)	1
11	1014287	Spring, Drive Button	3
12	1014062	Driver, Drive Clutch	3
13	183	Washer, Flat, #10, Type A	3
14	8450	Screw, Hex-Head, #10-24 x .5	3
15	1014058	Washer, Thrust	1
16	1014056	Ring, Spiral Back-Up	2
17	1014052	Assembly, Movable Face (includes items 18 and 19)	1
18	N/A	Bushing	1
19	1014055	Retainer	1
20	1016203	Belt, Drive (Villager 4)	1
20	1017188	Belt, Drive (Villager 6, Villager 8, TransPorter 4, and TransPorter 6)	1
21	101916701	Belt, Starter/Generator	1
22	101916501	Screw, Hex-Head Cap, 3/8-24 x 5-1/2 (left-hand threads)	1
23	1017328	Washer, Drive Clutch – Green	1

10
G



DRIVEN CLUTCH

ITEM	PART NO.	DESCRIPTION	QTY
		1 2 3 4	
1	101834001	Assembly, Driven Clutch (includes items 2 - 8)	1
2	1014080	Ring, Retaining	1
3	1014078	Key	1
4	1017686	Cam	1
5	101836201	Spring (green)	1
6	1014454	Kit, Driven Clutch Button (includes 3 screws and 3 buttons)	1
7	1014072	Assembly, Moveable Face with Bushing	1
8	1014070	Face, Fixed	1
9	1016203	Belt, Drive (Villager 4)	1
9	1017188	Belt, Drive (Villager 6, Villager 8, TransPorter 4, and TransPorter 6)	1
	AM10419	Kit, Driven Clutch Hardware Repair (includes items 10 - 12).....	1
10	101833401	Key, Square Transmission	1
11	102242101	Screw, Hex-Head Cap, Thread-Locking, 5/16-18 x 3/4	1
12	1017327	Washer, Driven Clutch	1

10
G

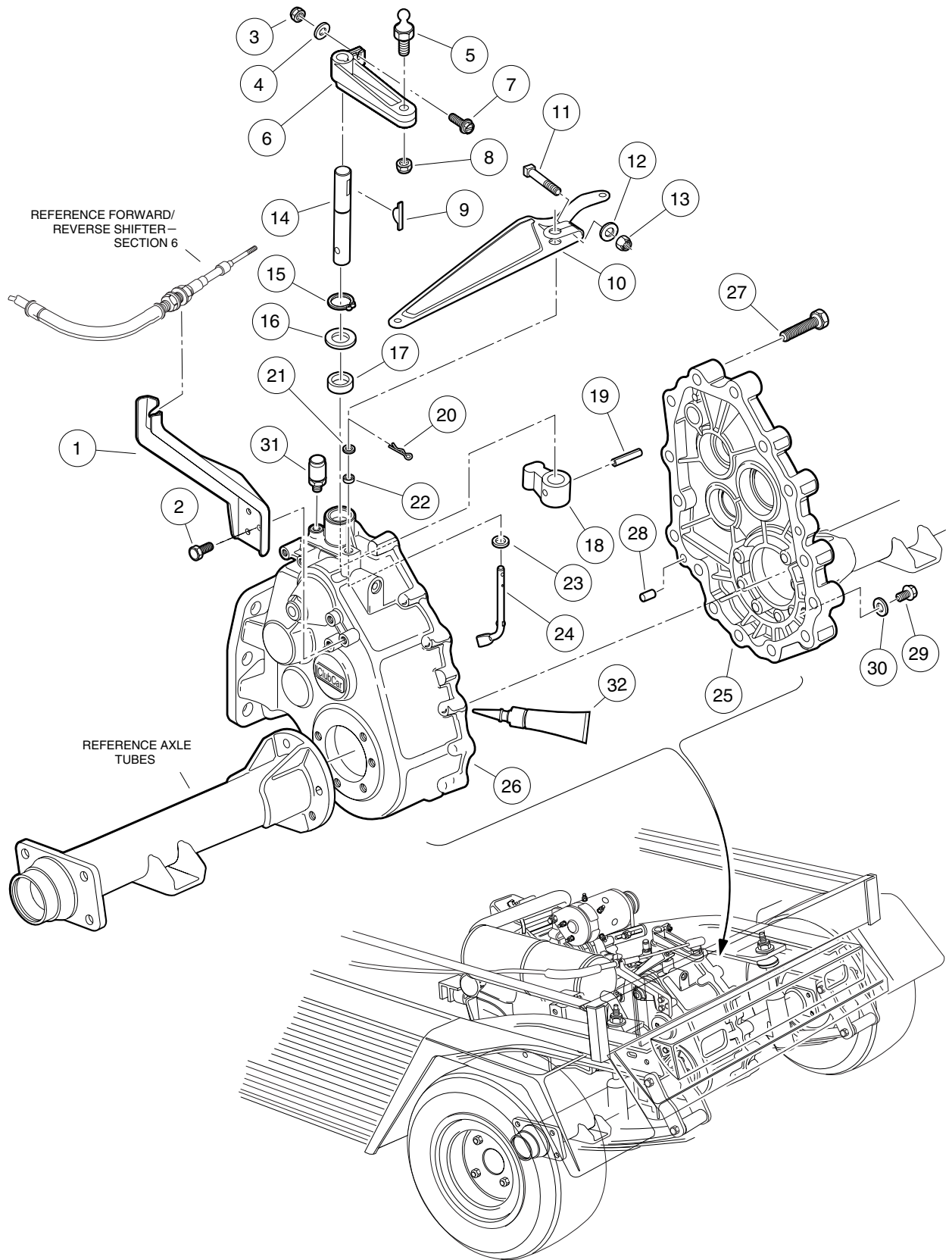
10

G

UNITIZED TRANSAXLE – GASOLINE VEHICLE

11

G

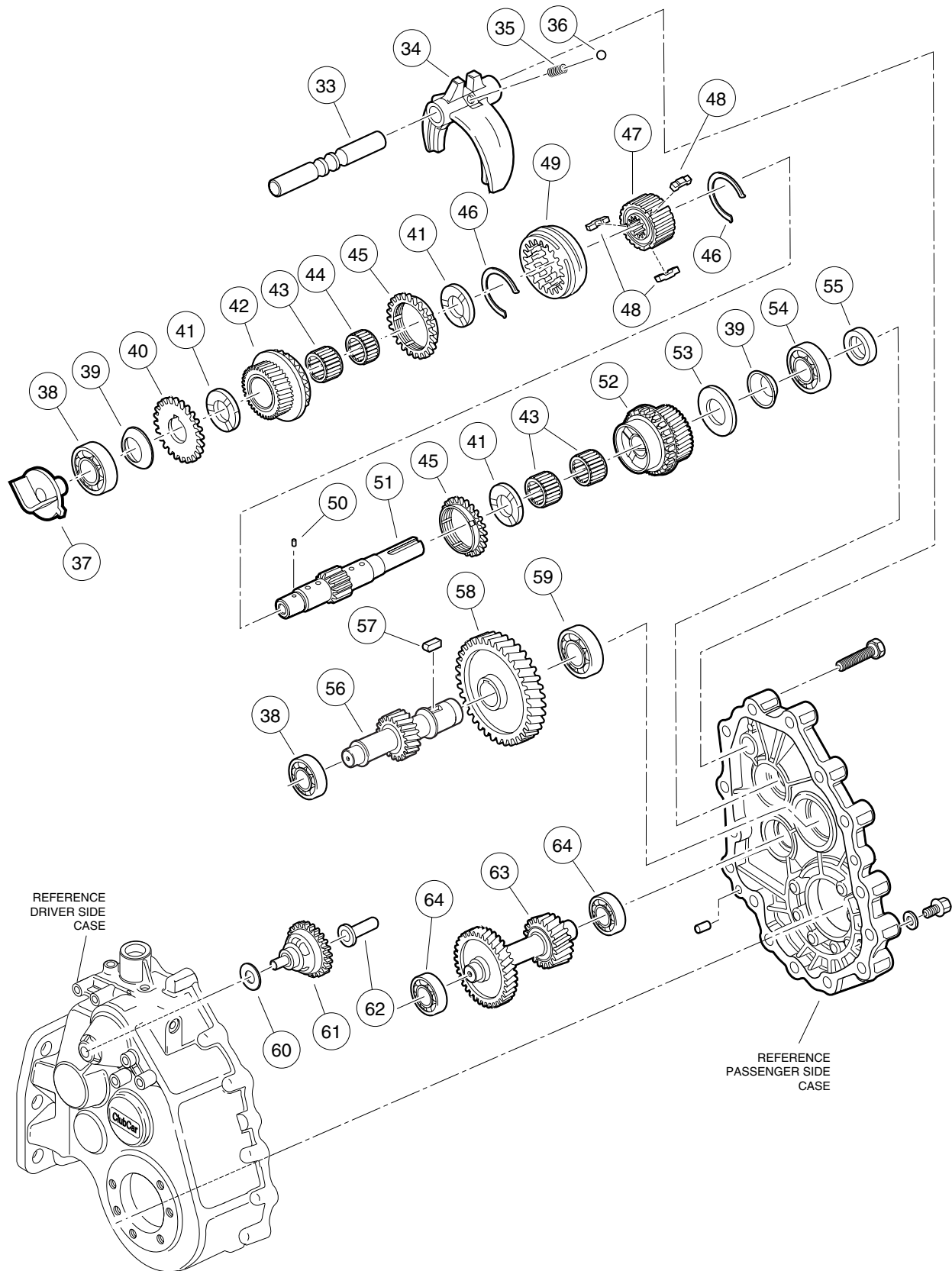


UNITIZED TRANSAXLE, GASOLINE VEHICLE – GEAR CASES AND BRACKETS

ITEM	PART NO.	DESCRIPTION	QTY
		1 2 3 4	
1	102045901	Bracket, Transmission Cable Support	1
2	1012285	Screw, Thread-Rolling, 1/4-20 x 5/8	3
3	1013061	Nut, Nylon Lock, #10-32	1
4	183	Washer, Flat, #10	1
5	1010954	Stud, Ball, 1/4-28 x 9/16	1
6	1016341	Lever, Transmission Shifter	1
7	1017082	Screw, Hex Washer-Head, #10-32 x 3/4	1
8	8717	Nut, Nylon Lock, 1/4-28	1
9	1017231	Key, Woodruff	1
10	101834801	Arm, Governor Lever	1
11	101886101	Screw, Square Head, 1/4-20 x 1	1
12	1014007	Washer, Type B, 1/4	1
13	8233	Nut, Nylon Lock, 1/4-20	1
	101833601	Unitized Transaxle (includes items 14 - 88)	1
14	101890201	Shaft, Shifter	1
15	101927301	Ring, Snap	1
16	101892901	Washer, Flat	1
17	101927201	Seal, Oil	1
18	101890101	Lever, Shifter	1
19	1012752	Pin, Roll	1
20	101928601	Pin, Cotter	1
21	1016513	Washer, Flat	1
22	101927101	Seal, Oil	1
23	101893801	Washer	1
24	101891301	Arm, Pivot	1
25	101890601	Gear Case (passenger side)	1
26	101890501	Gear Case (driver side)	1
27	101926901	Bolt, Flanged, M8 x 1.25 x 40 mm	15
28	1012896	Pin, Dowel	2
29	1013759	Plug, Drain (includes item 30)	2
30	1016432	Gasket	1
31	1012711	Breather	1
32	101928701	Gasket, Liquid, 8.8 oz. (250 grams)	A/R

11

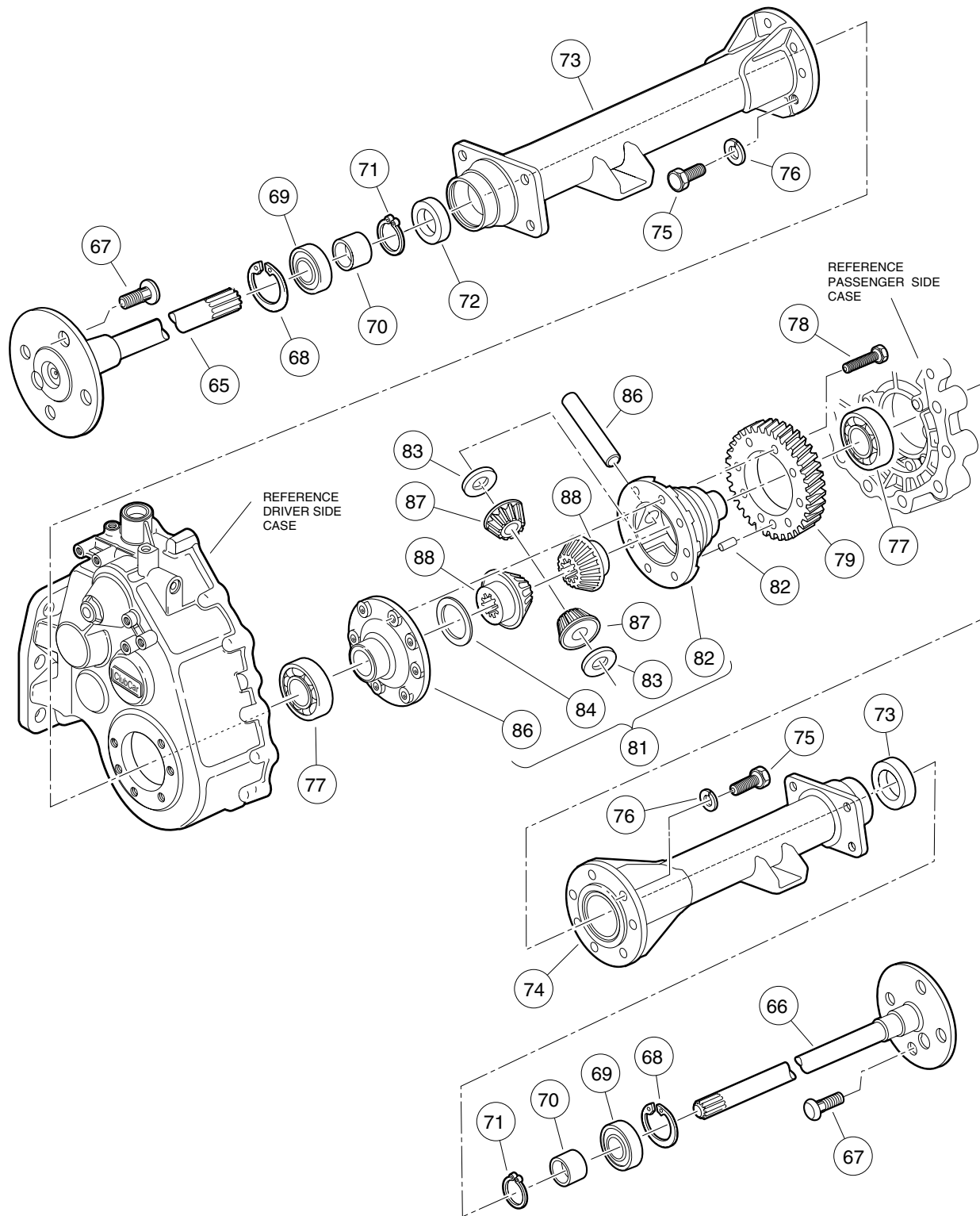
G



UNITIZED TRANSAXLE, GASOLINE VEHICLE – F&R TRANSMISSION AND GEAR REDUCTION

ITEM	PART NO.	DESCRIPTION	QTY
		1 2 3 4	
33	101892001	Rod, Shift	1
34	101890001	Fork, Shift	1
35	1012748	Spring	1
36	1012747	Ball, Steel	1
37	101889401	Guide	1
38	AM10080	Bearing, Ball	2
39	1016338	Washer, Spring	2
40	101892401	Gear, Spur	1
41	101892201	Plate, Thrust	3
42	101980901	Gear Assembly, Input, 28 Tooth (16°)	1
43	101927601	Bearing, Needle	3
44	101927501	Bearing, Needle	1
45	101981001	Ring, Synchronizer (16°)	2
46	1012741	Spring, Synchronizer	2
47	101928001	Hub, Synchronizer Clutch	1
48	1012740	Insert, Synchronizer	3
49	101927901	Sleeve, Synchronizer	1
50	101927701	Pin, Dowel	1
51	101889901	Shaft, Input	1
52	101980801	Gear Assembly, Input, 25 Tooth (16°)	1
53	1016337	Washer, Thrust	1
54	AM10081	Bearing, Ball	1
55	1012714	Seal, Oil, Input Shaft	1
56	101892601	Gear, 17 Tooth	1
57	101893201	Key	1
58	101892501	Gear, 61 Tooth	1
59	101928101	Bearing, Ball	1
60	101893901	Washer.....	1
61	101892301	Governor Assembly	1
62	101891601	Sleeve	1
63	101891901	Gear, Cluster Idler	1
64	7335	Bearing, Ball	2

11
G



UNITIZED TRANSAXLE, GASOLINE VEHICLE – DIFFERENTIAL AND AXLES

ITEM	PART NO.	DESCRIPTION	QTY
		1 2 3 4	
65	101891501	Axle Assembly, Driver-Side (Includes items 67 - 71)	1
66	101891401	Axle Assembly, Passenger-Side (includes items 67 - 71)	1
67	1013787	Stud, Lug	4
68	1013792	Ring, Retaining	1
69	1011291	Bearing, Outer Axle Tube	1
70	1014207	Collar, 25 mm I. D.	1
71	1016672	Ring, Retaining	1
72	1013794	Seal, Oil	2
73	101891001	Assembly, Axle Tube, Driver-Side	1
74	101890901	Assembly, Axle Tube, Passenger-Side	1
75	1013790	Bolt, M10 x 1.5 x 30 mm	14
76	1013791	Washer, Lock, M10	14
77	7330	Bearing, Inner Axle Tube	2
78	101928301	Bolt, M8 x 1.25 x 37 mm	8
79	101892701	Gear, Output	1
80	1014193	Pin, Dowel	1
81	101910501	Kit, Differential Gear Case (includes items 82 - 85)	1
82	1013768	Case, Gear Carrier	1
83	1013774	Plate, Thrust (idler gear)	2
84	1013773	Plate, Thrust (differential gear)	1
85	1013769	Cover, Gear Case	1
86	1013772	Pin, Differential	1
87	1013770	Gear, Differential Idler	2
88	1013771	Gear, Differential	2

11

G

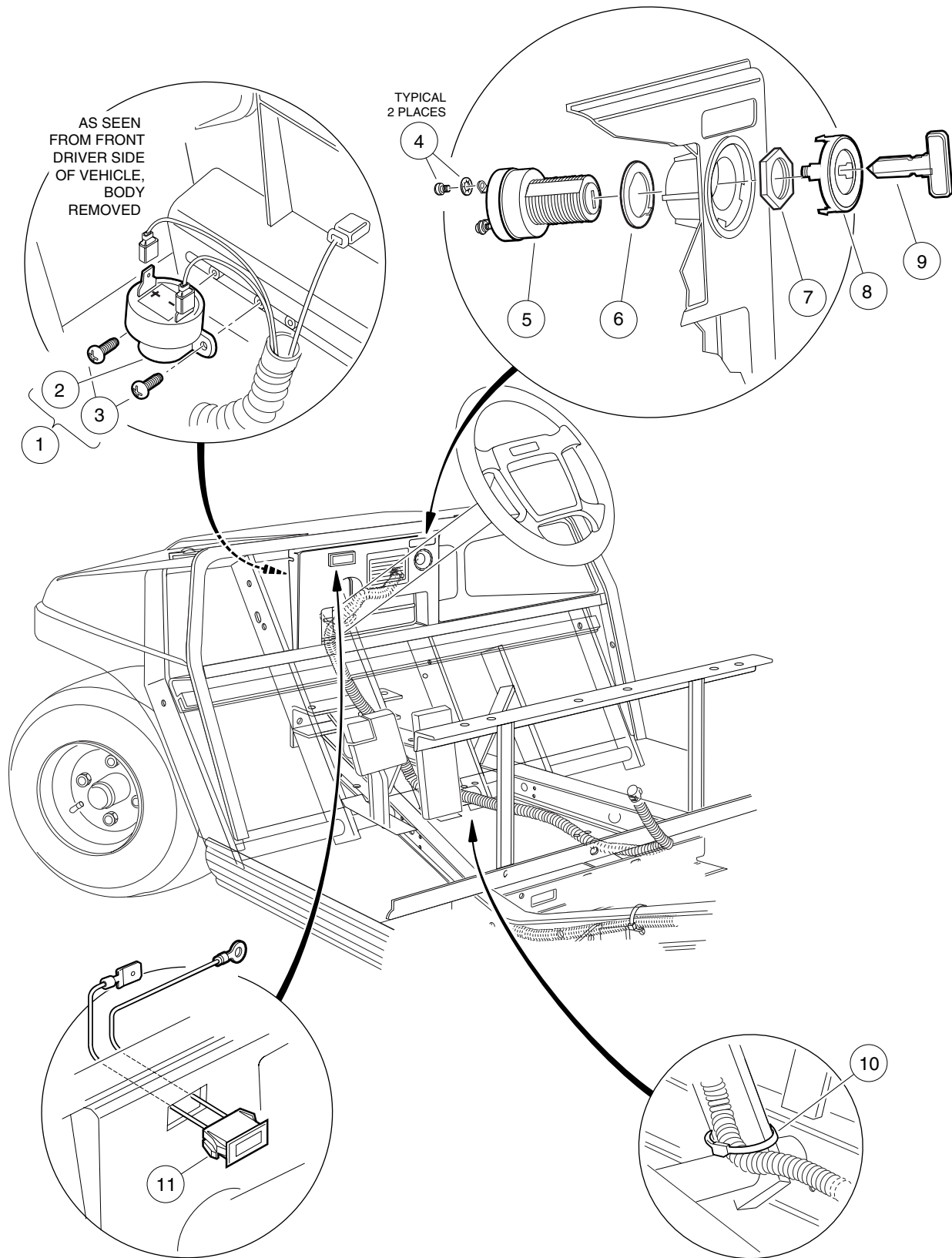
11

G

ELECTRICAL SYSTEM – ELECTRIC VEHICLE

12

E

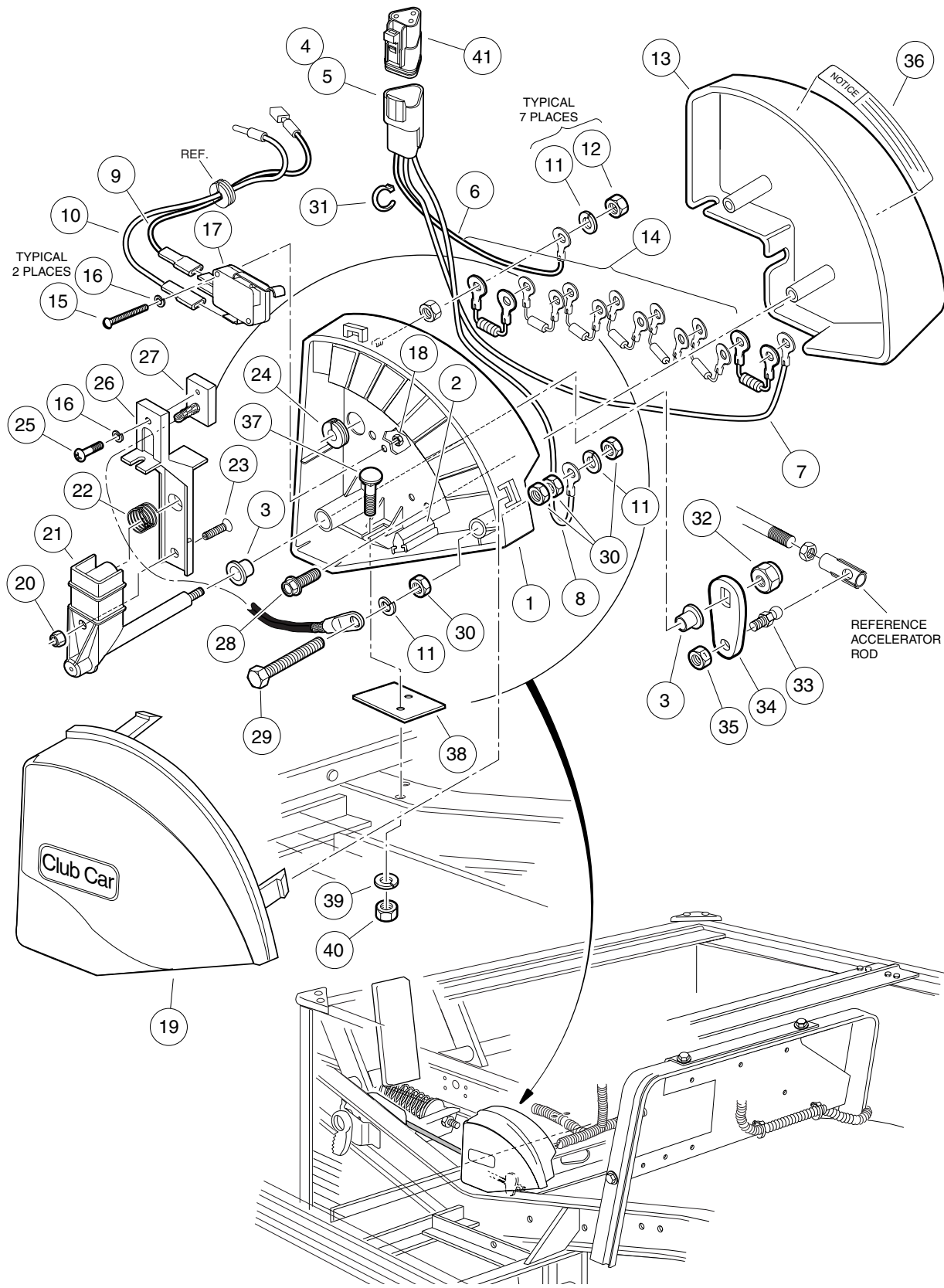


ELECTRICAL COMPONENTS, FRONT BODY – VILLAGER 4 VEHICLE

ITEM	PART NO.	DESCRIPTION	QTY
		1 2 3 4	
1	1016859	Kit, Reverse Buzzer (includes items 2 and 3)	1
2	1016851	Buzzer, Reverse	1
3	1016849	Screw, Pan-Head Hi-Lo, #4-24 x 5/16	2
4	101830601	Assembly, Screw and Washer	2
5	101826201	Switch, Key	1
6	101851101	Washer, Key Switch	1
7	101830701	Nut, Key Switch	1
8	101834502	Cap, Key Switch	1
9	1012505	Key (pair)	1
10	8990	Tie, Wire	2
11	101935501	Light, Battery Warning (amber)	1

12

E

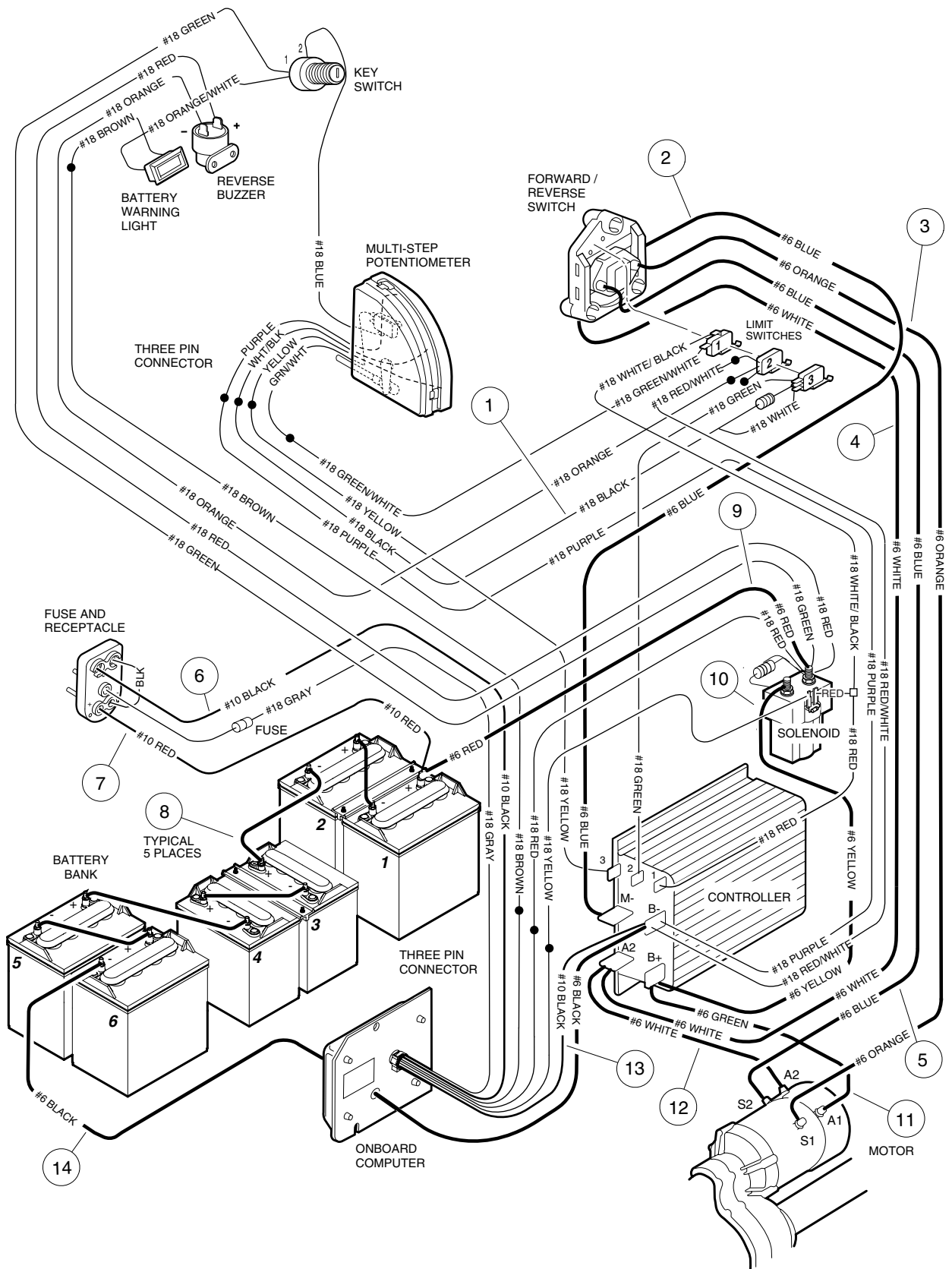


MULTI-STEP POTENTIOMETER – VILLAGER 4 POWERDRIVE SYSTEM 48 VEHICLE

12

E

ITEM	PART NO.	DESCRIPTION	QTY
		1 2 3 4	
		NOTE: See page 12-9 for the MCOR Conversion Kit.	
		This page pertains to vehicles with serial numbers lower than 0112-001470.	
	101932001	Assembly, Wiper Switch (includes items 1 - 36)	1
1	1014999	Assembly, Wiper Switch Case, 6-Speed (includes items 2 and 3)	1
2	1014414	Bumper, Wiper Switch	1
3	1012903	Bearing, Bronze	2
4	101932801	Assembly, 3-Wire and Receptacle (includes items 5 - 8)	1
5	101942301	Kit, 3-Pin Receptacle	1
6	N/A	Wire Assembly, #18 White/Black	1
7	N/A	Wire Assembly, #18 Purple	1
8	N/A	Wire Assembly, #18 Yellow	1
9	N/A	Wire Assembly, #18 Green/White	1
10	N/A	Wire Assembly, #18 Blue	1
11	451	Washer, Lock, 1/4	9
12	1028	Nut, Hex, 1/4-20	7
13	101946901	Protector, Wiper Switch Resistor	1
14	101971101	Kit, Resistor Assembly	1
15	8056	Screw, Round-Head Machine, #4-40 x 3/4	2
16	8058	Washer, Lock, #4	3
17	1014807	Switch, Limit.....	1
18	8057	Nut, Hex, #4-40	2
19	1013886	Cover, Wiper Switch	1
20	1013061	Nut, Nylon Lock, #10-32	1
21	1014017	Carrier, Wiper Switch Arm	1
22	1013998	Spring, Wiper Switch Brush	1
23	1014000	Stud, Wiper Switch Adjusting	1
24	1014010	Grommet, Split	1
25	1014019	Screw, Self-Tapping, #4-40 x 3/8	1
26	1013887	Arm, Speed Switch	1
27	1013860	Assembly, Switch Brush	1
28	1013461	Screw, Hex-Head Hi-Lo, #10-16 x 1/2	2
29	1014189	Screw, Hex-Head Cap, 1/4-20 x 2	1
30	1014253	Nut, Brass Hex Jam, 1/4-20	4
31	8990	Tie, Wire	1
32	7473	Nut, Nylon Lock, 5/16-18	1
33	1012353	Stud, Short Ball, 1/4-28	1
34	1014003	Crank, Bell	1
35	8449	Nut, Dimpled Lock, 1/4-28	1
36	101610901	Decal, Wiper Switch Warning	1
37	1014109	Bolt, Carriage, #10-24 x 1	2
38	101949201	Shim, Wiper Switch	1
39	1016175	Washer, Lock, #10	2
40	1017	Nut, Hex, #10-24	2
41	101920101	Kit, 3-Pin Plug Assembly	1

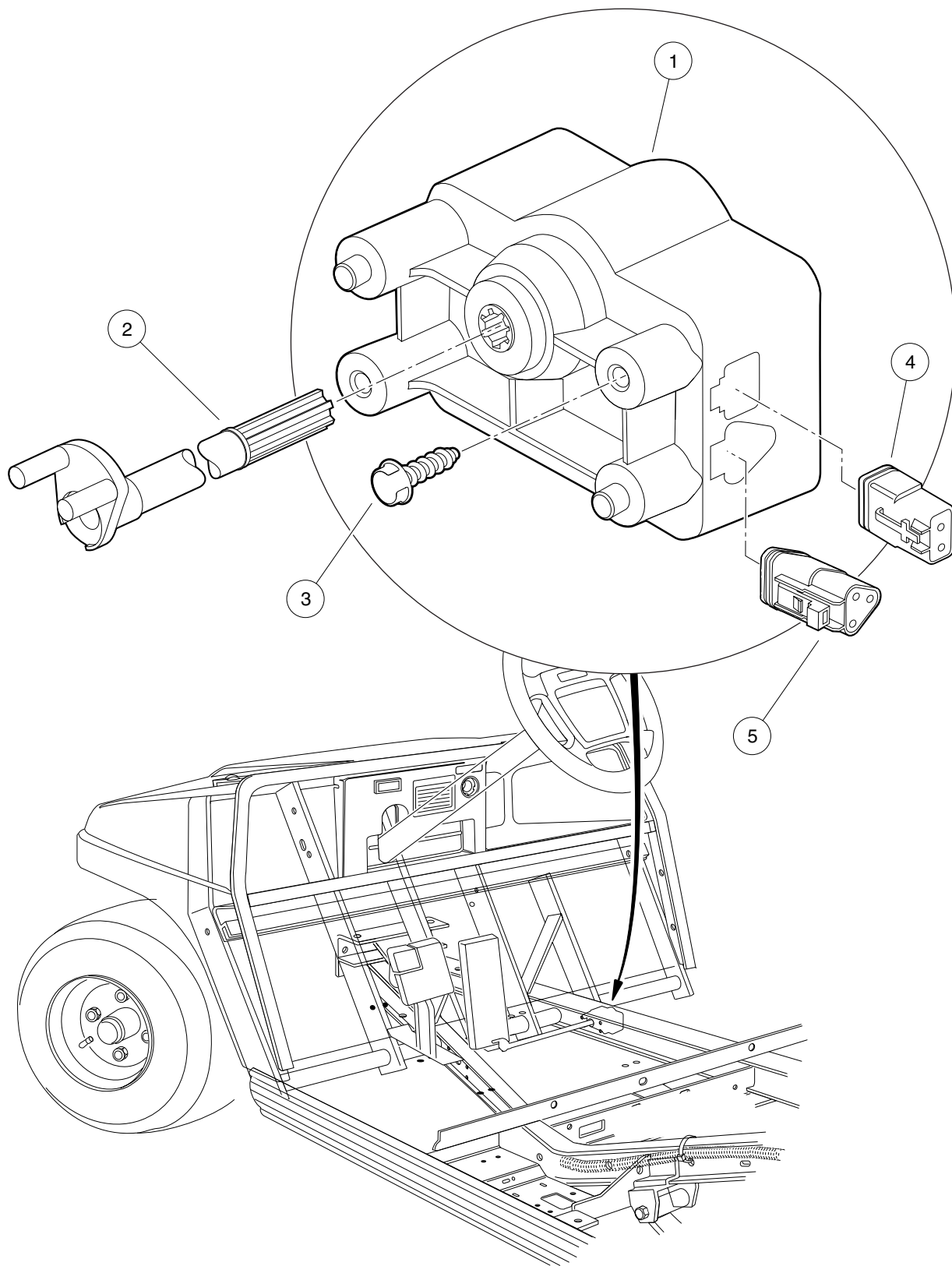


WIRING – VILLAGER 4 POWERDRIVE SYSTEM 48 VEHICLE WITH MULTI-STEP POTENTIOMETER

ITEM	PART NO.	DESCRIPTION	QTY
		1 2 3 4 For vehicles with serial numbers lower than 0112-001470.	
	101911004	Wire Harness (includes items 1 - 5)	1
1	101883002	Wire Assembly, #18 Black (includes resistor and #18 white wire)	1
2	101901401	Wire Assembly, #6 Blue	1
3	101901201	Wire Assembly, #6 Orange	1
4	101911101	Wire Assembly, #6 White	1
5	101901301	Wire Assembly, #6 Blue	1
6	N/A	Wire Assembly, #10 Black (part of onboard computer assembly)	1
7	N/A	Wire Assembly, #10 Red (part of fuse and receptacle assembly)	1
8	101795701	Wire Assembly, #6 Black	5
9	101902801	Wire Assembly, #6 Red	1
10	101903001	Wire Assembly, #6 Yellow	1
11	101902901	Wire Assembly, #6 Green	1
12	1014856	Wire Assembly, #6 White	1
13	N/A	Wire Assembly, #10 Black (part of onboard computer assembly)	1
14	N/A	Wire Assembly, #6 Black (part of onboard computer assembly)	1

12

E

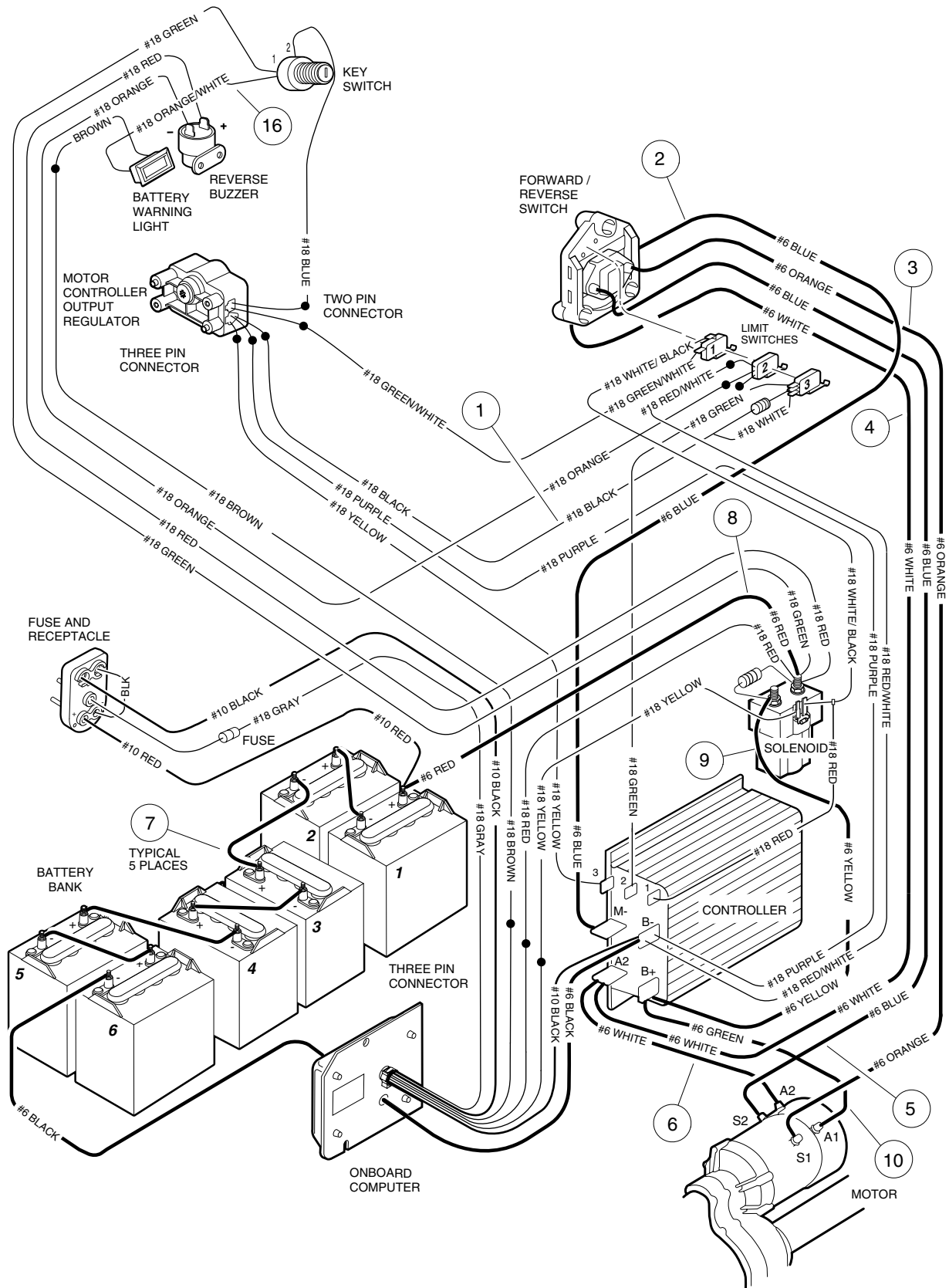


MOTOR CONTROLLER OUTPUT REGULATOR (MCOR) – POWERDRIVE SYSTEM 48 AND IQ SYSTEM VEHICLES

ITEM	PART NO.	DESCRIPTION	QTY
		<p>1 2 3 4</p> <p>For vehicles with serial numbers 0112-001470 and greater.</p>	
1	102101101	Regulator, Motor Controller Output (MCOR)	1
2	102101001	Bar, Drive	1
3	1015752	Screw, Hex-Head, Hi-Lo, #12-16 x 5/8	2
4	101936801	Kit, 2-Pin Plug Assembly	1
5	101920101	Kit, 3-Pin Plug Assembly	1
6	102248301	Kit, MCOR Conversion (not shown)*	1
		<p>*For vehicles with serial numbers lower than 0112-001470.</p>	

12

E

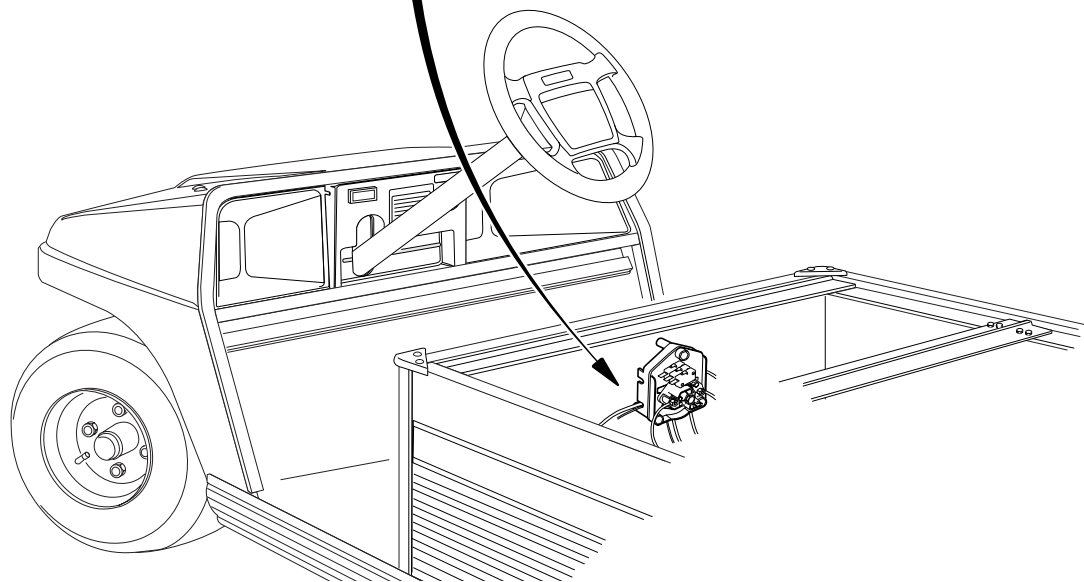
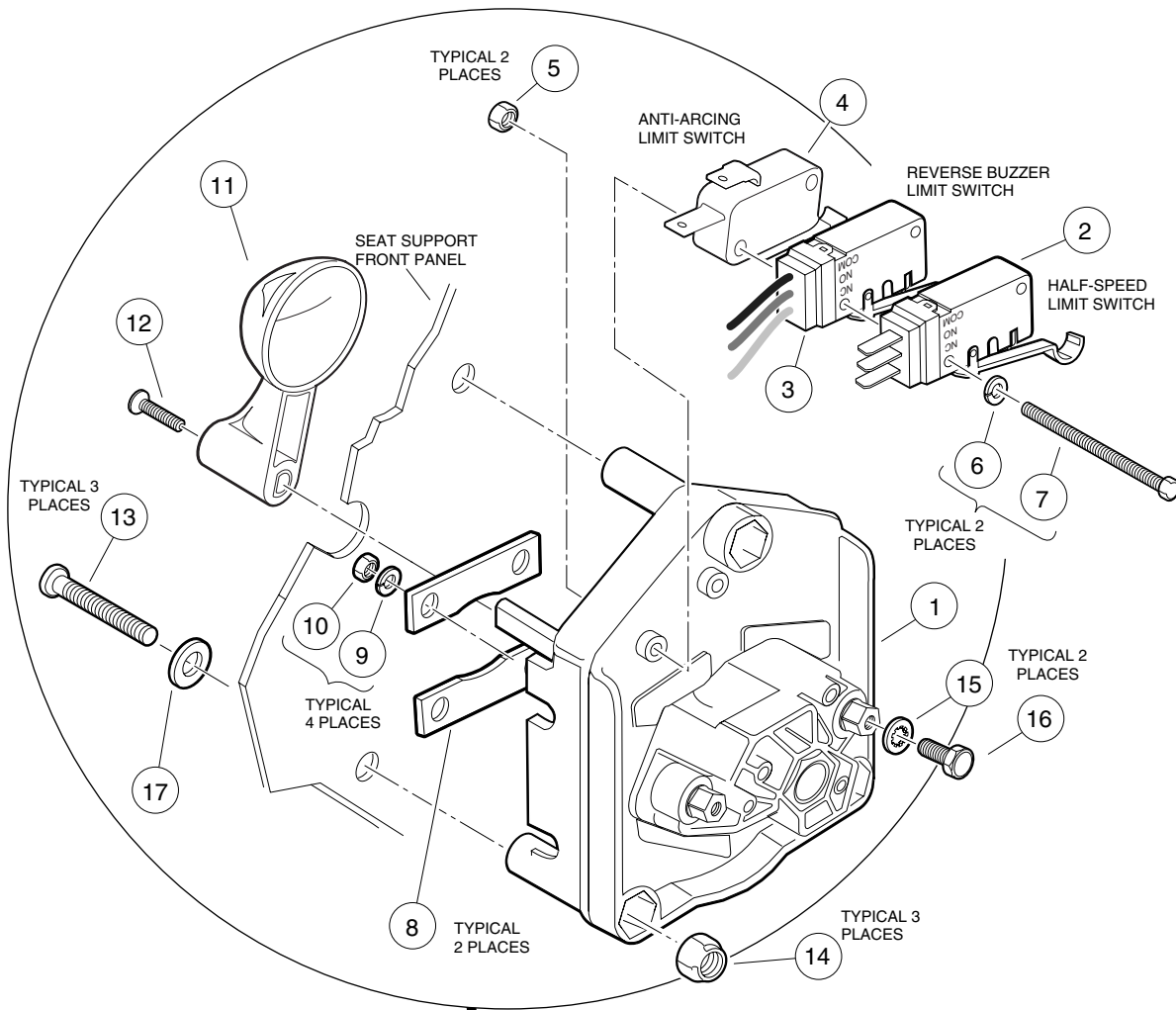


WIRING – VILLAGER 4 POWERDRIVE SYSTEM 48 VEHICLE WITH MCOR

ITEM	PART NO.	DESCRIPTION	QTY
		1 2 3 4 For Villager 4 vehicles with serial numbers 0112-001470 and greater.	
	102162102	Wire Harness (includes items 1 - 6)	1
1	101883002	Wire Assembly, #18 Black (includes resistor and #18 white wire)	1
2	101901401	Wire Assembly, #6 Blue	1
3	101901201	Wire Assembly, #6 Orange	1
4	101901501	Wire Assembly, #6 White	1
5	101901301	Wire Assembly, #6 Blue	1
6	101911101	Wire Assembly, #6 White	1
7	101795701	Wire Assembly, #6 Black	5
8	101902801	Wire Assembly, #6 Red	1
9	101903001	Wire Assembly, #6 Yellow	1
10	101902901	Wire Assembly, #6 Green	1

12

E

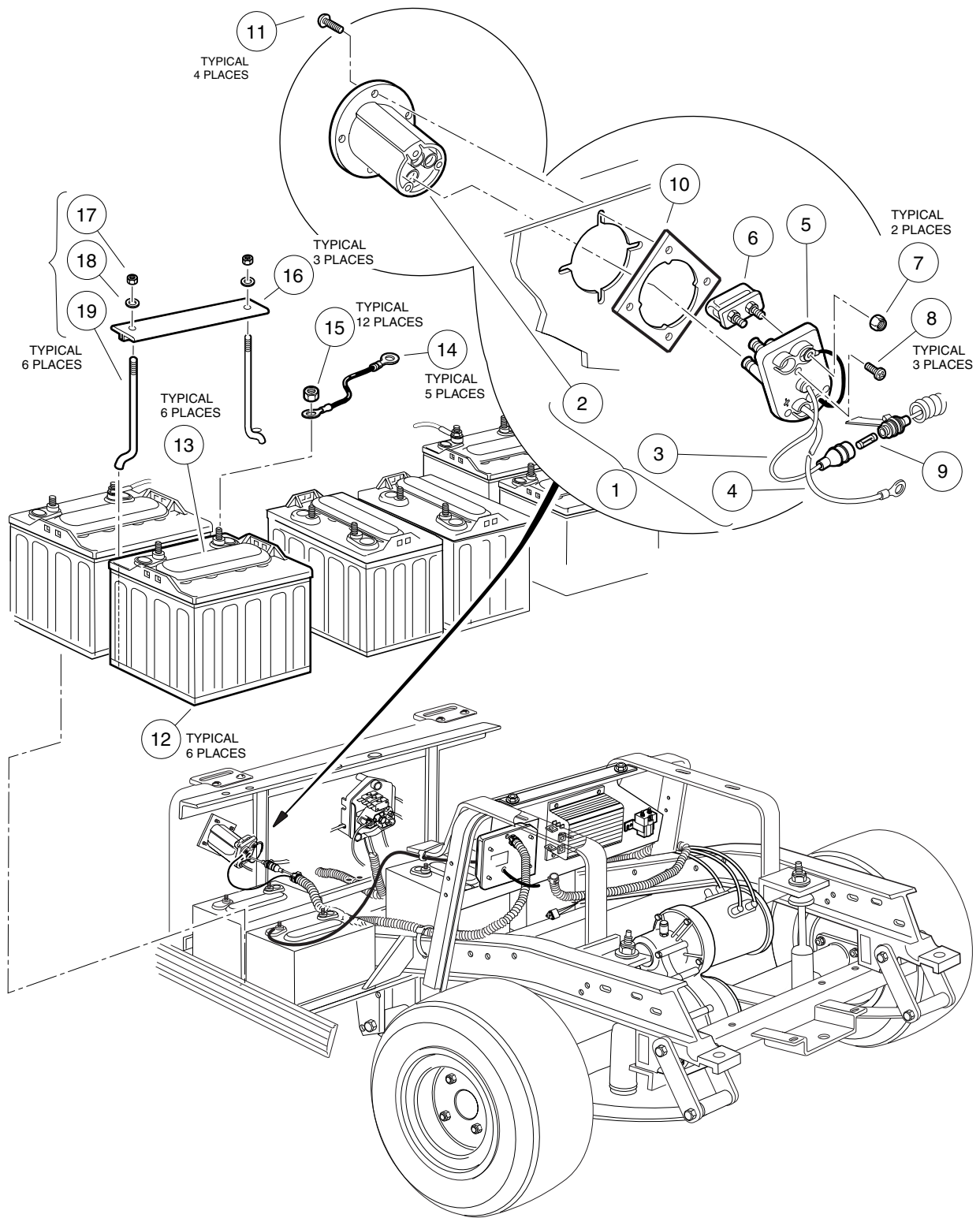


FORWARD/REVERSE SWITCH – POWERDRIVE SYSTEM 48 VEHICLE

ITEM	PART NO.	DESCRIPTION	QTY
		1 2 3 4	
1	101753005	Assembly, Forward/Reverse Switch (includes items 2 - 10)	1
2	102250201	Switch, Limit, Sealed	1
3	101979101	Switch, Limit, Sealed	1
4	1014808	Switch, Limit	1
5	8057	Nut, Hex, #4-40	2
6	8058	Washer, Lock, #4	2
7	1014871	Screw, Hex Washer-Head, #4-40 x 2	2
8	1017799	Bar, Bus	2
9	451	Washer, Lock, 1/4	4
10	1028	Nut, Hex, 1/4-20	4
11	1012987	Handle, Forward/Reverse Switch	1
12	1015064	Screw, Oval Countersunk Machine, #8-32 x 5/8	1
13	1016845	Screw, Phillips Truss-Head, 1/4-20 x 2-1/8	3
14	8233	Nut, Nylon Lock, 1/4-20	3
15	8049	Washer, Internal Tooth Lock, #10	2
16	8450	Screw, Hex-Head Machine, #10-24 x 1/2	2
17	1014528	Washer, Plastic, 1/4 (Villager vehicles only)	3

12

E

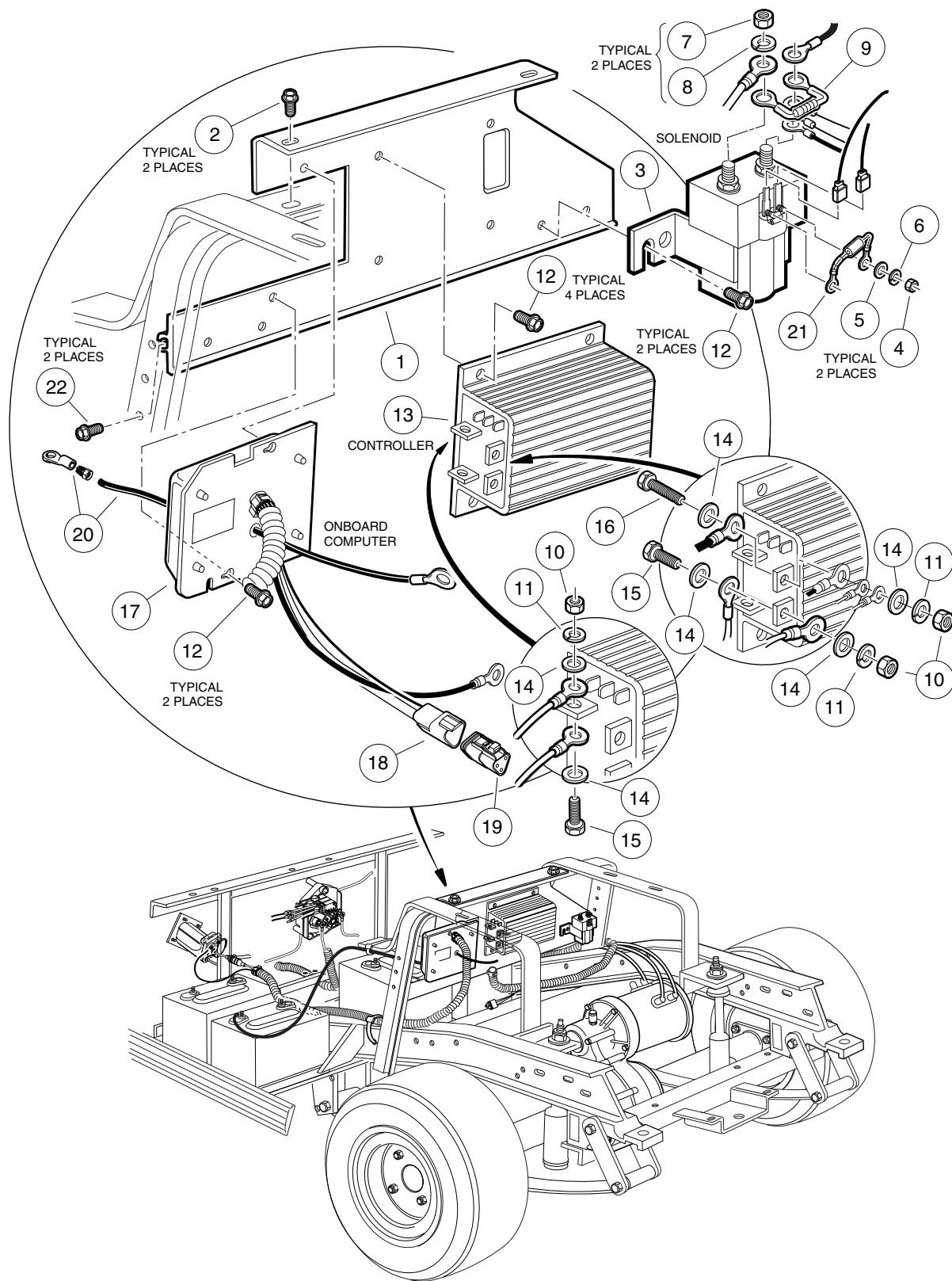


BATTERIES, CHARGER RECEPTACLE – VILLAGER 4 POWERDRIVE SYSTEM 48 VEHICLE

ITEM	PART NO.	DESCRIPTION	QTY
		1 2 3 4	
1	101802101	Kit, Fuse And Receptacle (includes items 2 - 9)	1
2	101796501	Bezel, Receptacle	1
3	N/A	Wire Assembly, Sense Lead, Gray	1
4	N/A	Wire Assembly, #10 Red	1
5	N/A	Wire Assembly, #10 Black	1
6	101796801	Assembly, Fuse, 48-Volt (includes item 7)	1
7	1013061	Nut, Nylon Lock, #10	2
8	1017705	Screw, Phillips Pan-Head, #8 Type AB	3
9	101894901	Fuse, 3/8-Amp	1
10	101801001	Plate, Receptacle Backing	1
11	101832001	Screw, Phillips Pan-Head, #7-18 x 3/4	4
12	101797701	Battery, 8-Volt PowerDrive (includes item 13)	6
12	101797702	Battery, 8-Volt PowerDrive, Dry (includes item 13)	6
13	101797801	Cap, Battery, 4 Port Gang	1
14	101795701	Wire Assembly, #6 Black	5
15	1014304	Nut, Hex, Stainless Steel, 5/16-18	12
16	101090801	Hold-Down, Battery	3
17	1015072	Nut, Nylon Lock, Stainless Steel, 5/16-18	6
18	1011578	Washer, Flat, Type B Wide, 5/16	6
19	1013683	J-Bolt	6

12

E



COMPUTER, CONTROLLER, AND SOLENOID – VILLAGER 4 POWERDRIVE SYSTEM 48 VEHICLE

ITEM	PART NO.	DESCRIPTION	QTY
		1 2 3 4	
1	101965201	Plate, Component Mounting	1
2	1014288	Screw, Thread-Forming, 5/16-18 x 3/4	2
3	101908701	Solenoid, 48-Volt (with diode) (includes items 4 - 8)	1
4	1011558	Nut, Hex, #6-32	2
5	N/A	Washer, Flat	2
6	N/A	Washer, Lock	2
7	1012528	Nut, Hex, M8	2
8	7174	Washer, Lock, 5/16	2
9	1014947	Assembly, Resistor	1
10	1242	Nut, Hex, 5/16-18	3
11	7174	Washer, Lock, 5/16	3
12	1012285	Screw, Hex, Type TT, 1/4-20 x 5/8	8
13	101840203	Controller, 48-Volt (300-Amp)	1
14	1241	Washer, Flat, 5/16	6
15	7173	Screw, Hex-Head Cap, 5/16-18 x 3/4	2
16	1218	Screw, Hex-Head Cap, 5/16-18 x 1-1/4	1
17	101909901	Computer, Onboard (includes item 18)	1
18	101942301	Kit, 3-Pin Receptacle	1
19	101920101	Kit, 3-Pin Plug Assembly	1
20	101827801	Kit, Wire and Terminal, #6 Black	1
21	1014948	Assembly, Diode (Service Part replacement for existing diode that comes standard with solenoid)	1
22	101910401	Screw, Thread-Forming, 5/16-18 x 1-1/4	2

12

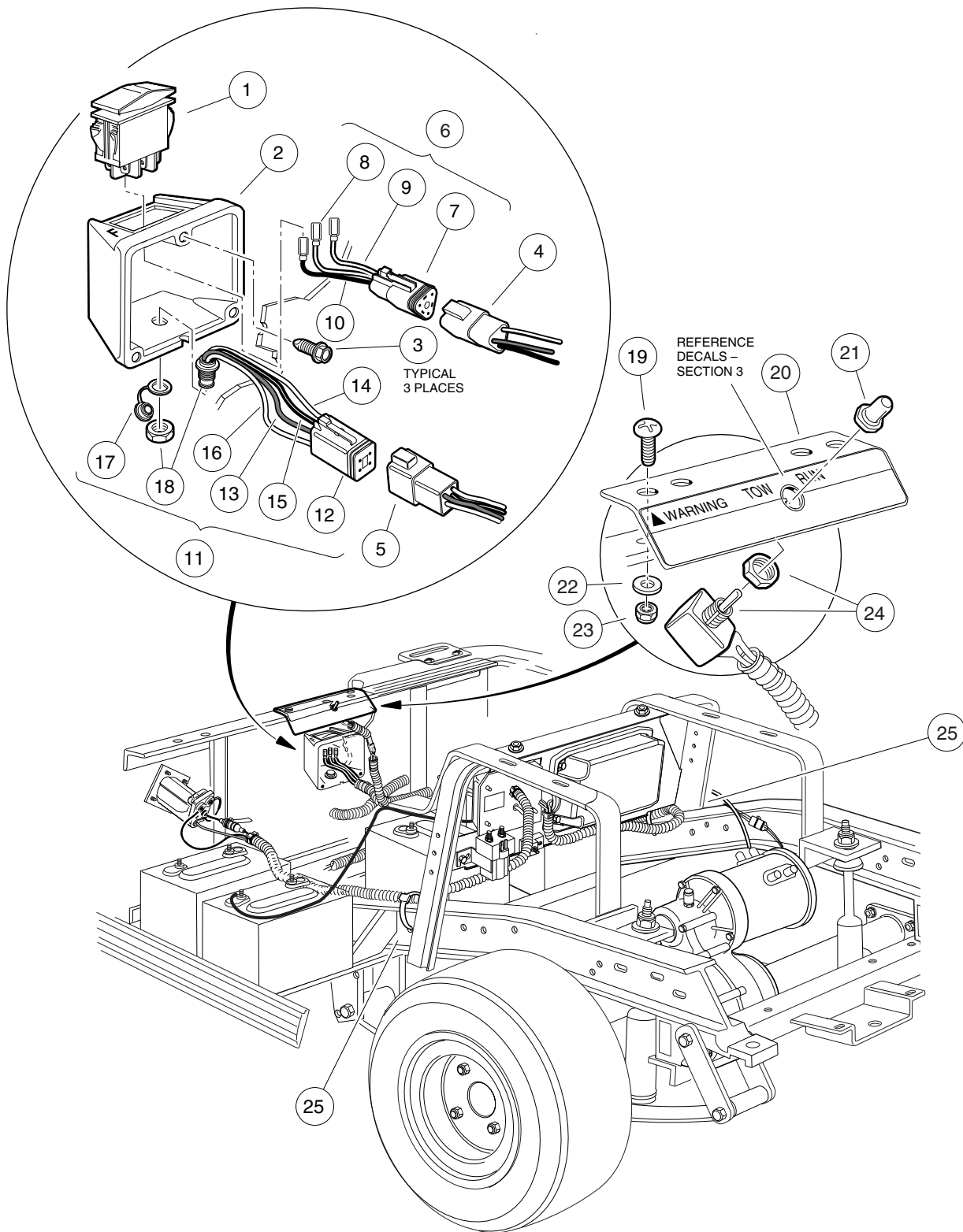
E

WIRING – VILLAGER 4 IQ SYSTEM VEHICLE

ITEM	PART NO.	DESCRIPTION	QTY
		1 2 3 4	
1	102196601	Wire Harness	1
2	101795701	Wire Assembly, #6 Black	5
3	101978101	Wire Assembly, #10 Orange	1
4	102199601	Wire Assembly, #6 Red	1
5	101978201	Wire Assembly, #10 Blue	1
6	101968701	Wire Assembly, #6 White	2
7	101978001	Wire Assembly, #6 Green	1
8	101920001	Wire Assembly, #6 Yellow	1
9	102263601	Wire Assembly, #10 Black	1

12

E

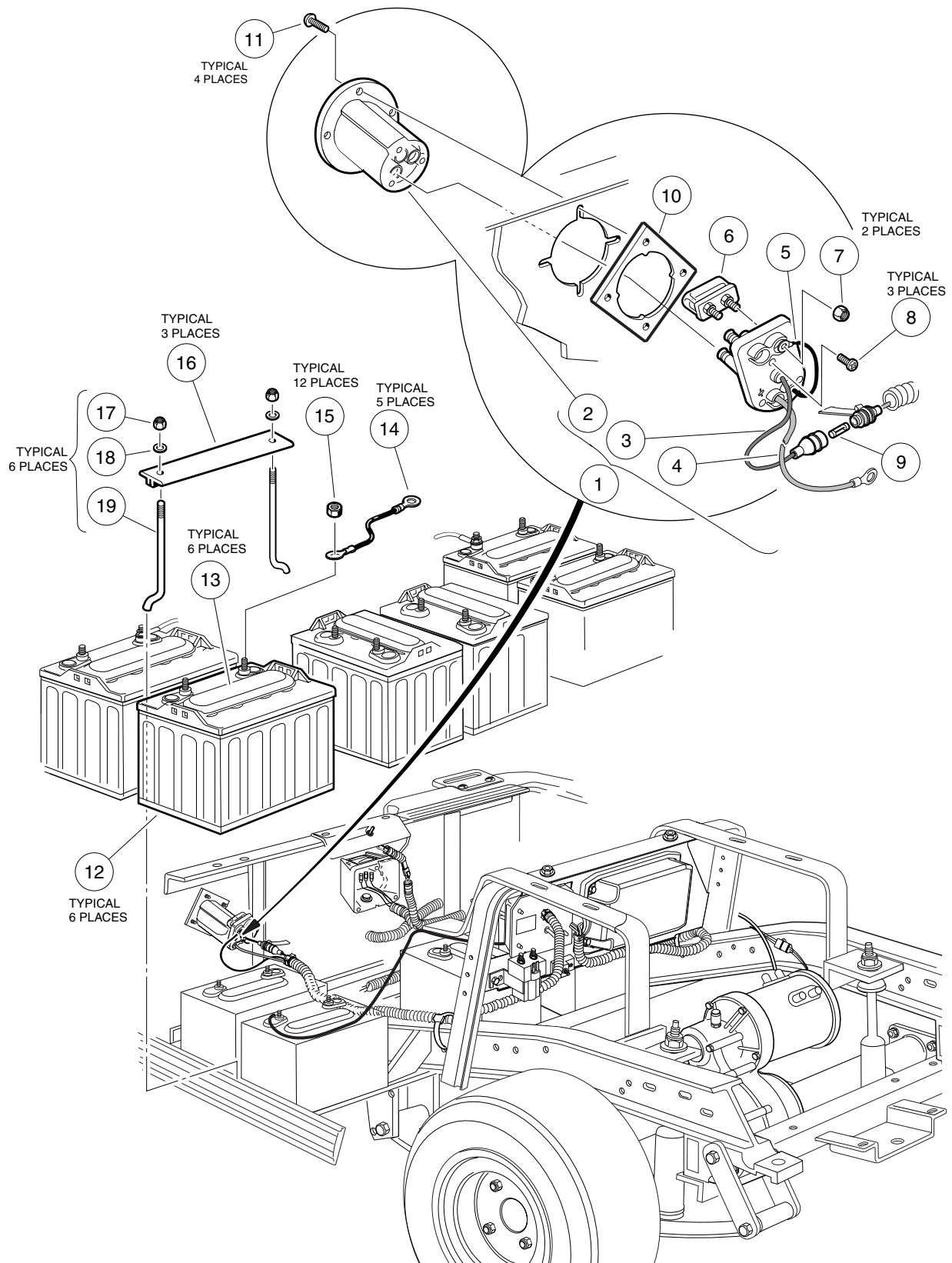


FORWARD/REVERSE SWITCH, TOW/RUN SWITCH – VILLAGER 4 IQ SYSTEM VEHICLE

ITEM	PART NO.	DESCRIPTION	QTY
		1 2 3 4	
1	101856001	Switch, Forward/Reverse	1
2	101855002	Case, Forward/Reverse Switch	1
3	101856101	Screw, Hex Washer-Head Hi-Lo, 1/4-15 x 1/2	3
4	101942301	Kit, 3-Pin Receptacle and Wedge Lock	1
5	101932401	Kit, 4-Pin Receptacle and Wedge Lock	1
6	102266601	Wire Assembly, Forward/Reverse Switch (includes items 7 - 10)	1
7	101920101	Kit, 3-Pin Plug and Wedge Lock	1
8	N/A	Wire Assembly, #18 Blue	1
9	N/A	Wire Assembly, #18 Orange	1
10	N/A	Wire Assembly, #18 Brown	1
11	102266701	Wire Assembly, IQDM Port (includes items 12 - 18)	1
12	101932501	Kit, 4-Pin Plug and Wedge Lock	1
13	N/A	Wire Assembly, #18 Red/Yellow	1
14	N/A	Wire Assembly, #18 Black/Yellow	1
15	N/A	Wire Assembly, #18 Blue/Yellow	1
16	N/A	Wire Assembly, #18 Green/Yellow	1
17	N/A	Cap, Dust	1
18	N/A	Connector, 4-Pin	1
19	8248	Screw, Phillips Truss-Head, 1/4-20 x 3/4	2
20	101922501	Bracket, Tow/Run Switch (without decal)	1
21	101908401	Boot, Tow/Run Switch (with nut)	1
22	332	Washer, Flat, 1/4	2
23	8233	Nut, Nylon Lock, 1/4-20	2
24	101908101	Switch, Tow/Run	1
25	8990	Tie, Wire	A/R

12

E

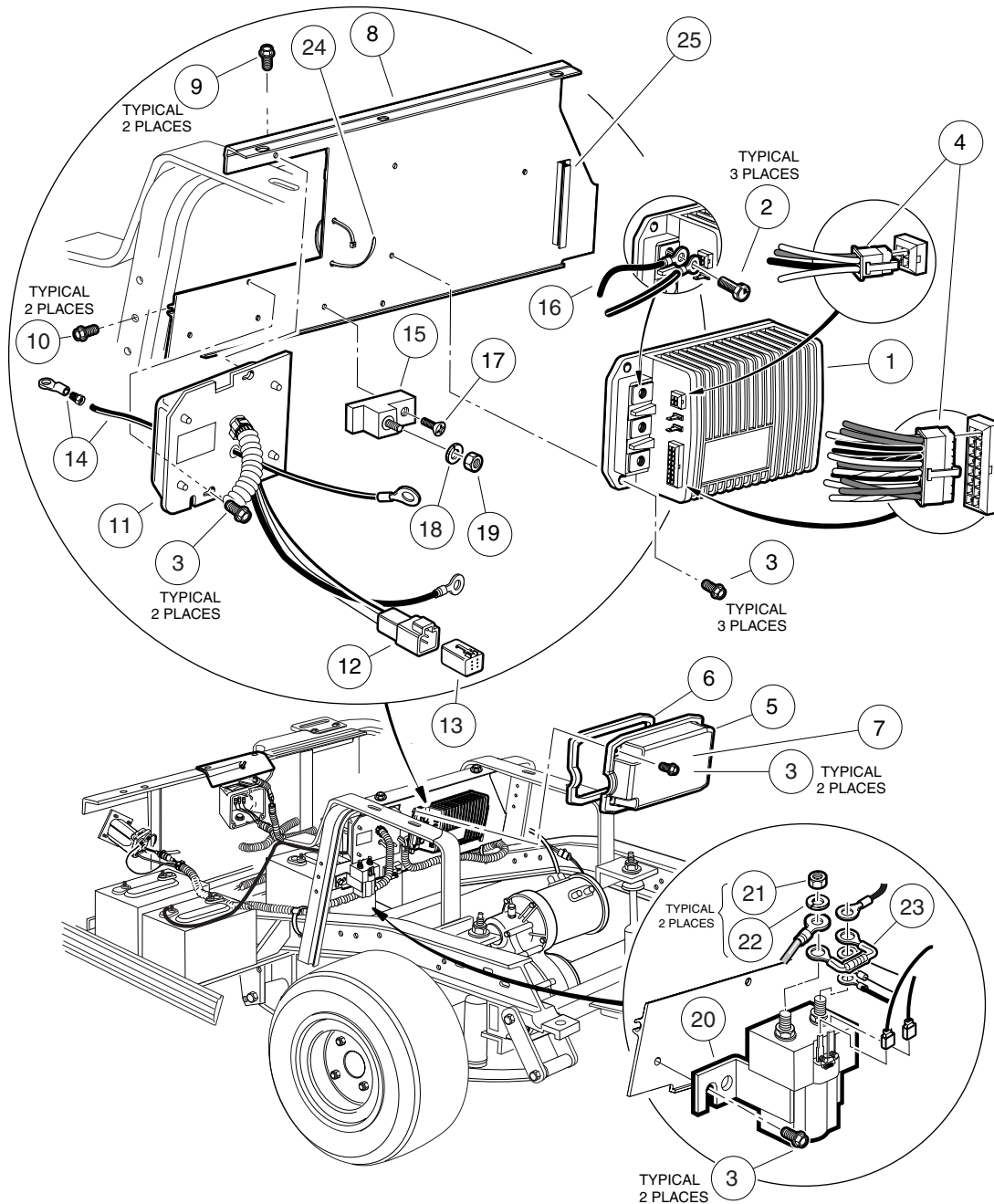


BATTERIES, CHARGER RECEPTACLE – VILLAGER 4 IQ SYSTEM VEHICLE

ITEM	PART NO.	DESCRIPTION	QTY
		1 2 3 4	
1	101802101	Kit, Fuse and Receptacle (includes items 2 - 9)	1
2	101796501	Bezel, Receptacle	1
3	N/A	Wire Assembly, Sense Lead, Gray	1
4	N/A	Wire Assembly, #10 Red	1
5	N/A	Wire Assembly, #10 Black	1
6	101796801	Assembly, Fuse, 48-Volt (includes item 7)	1
7	1013061	Nut, Nylon Lock, #10	2
8	1017705	Screw, Phillips Pan-Head, #8 Type AB	3
9	101894901	Fuse, 3/8-Amp	1
10	101801001	Plate, Receptacle Backing	1
11	101832001	Screw, Phillips Pan-Head, #7-18 x 3/4	4
12	101797701	Battery, 8-Volt PowerDrive (includes item 13)	6
12	101797702	Battery, 8-Volt PowerDrive, Dry (includes item 13)	6
13	101797801	Cap, Battery, 4-Port Gang	1
14	101795701	Wire Assembly, #6 Black	5
15	1014304	Nut, Hex, Stainless Steel, 5/16-18	12
16	101090801	Hold-Down, Battery	3
17	1015072	Nut, Nylon Lock, Stainless Steel, 5/16-18	6
18	1011578	Washer, Flat, Type B Wide, 5/16	6
19	1013683	J-Bolt	6

12

E



COMPUTER, CONTROLLER, AND SOLENOID – VILLAGER 4 IQ SYSTEM VEHICLE

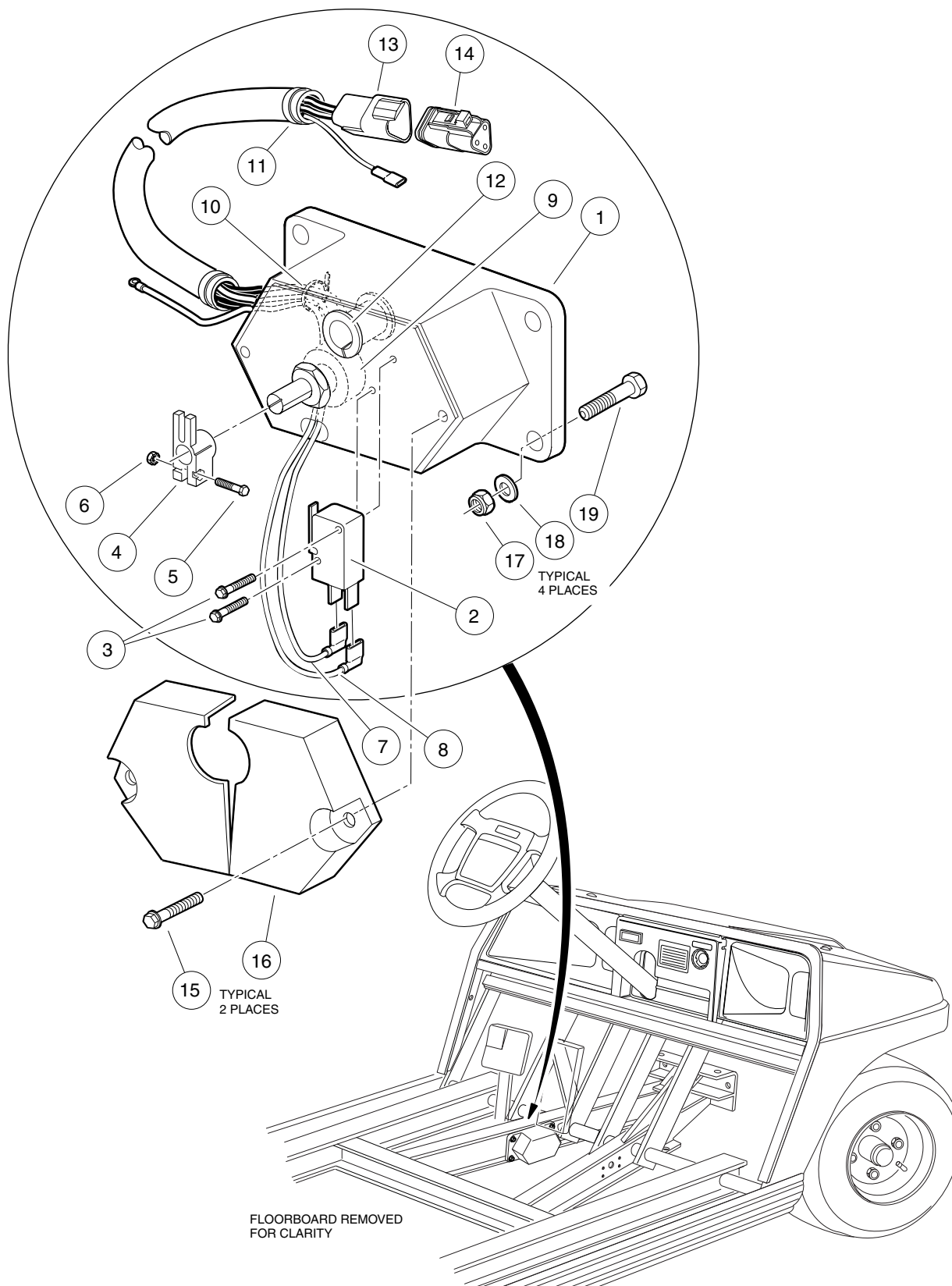
ITEM	PART NO.	DESCRIPTION	QTY
		1 2 3 4	
1	101956501	Controller, 48-Volt (250-amp)	1
1	101956502	Controller, 48-Volt (250-amp) (customized programming)	1
2	102240501	Screw, Hex Washer-Head, M8 x 1-1/4 x 12 mm	3
3	1012285	Screw, Hex, Type TT, 1/4-20 x 5/8	9
4	102266501	Kit, Connector, IQ Controller	1
5	102240601	Cover, Controller (includes items 6 and 7)	1
6	102240801	Gasket, Controller	1
7	101931501	Decal, Electrical Component Cover	1
8	101965202	Plate, Component Mounting	1
9	1014288	Screw, Thread-Forming, 5/16-18 x 3/4	2
10	101910401	Screw, Thread-Forming, 5/16-18 x 1-1/4	2
11	101909902	Computer, Onboard (includes item 12)	1
12	101932601	Kit, 6-Pin Receptacle	1
13	101932701	Kit, 6-Pin Plug Assembly	1
14	101827801	Kit, Wire and Terminal, #6 Black	1
15	102259801	Block, Terminal (controller)	1
16	102263601	Wire Assembly, #10 Black	1
17	102263701	Screw, Phillips, Thread-Forming, #10-24 x 3/4	1
18	7174	Washer, Lock, 5/16	1
19	1242	Nut, Hex, 5/16-18	1
20	101908701	Solenoid, 48-Volt (with diode) (includes items 21 and 22)	1
21	1012528	Nut, M8 x 1-1/4	2
22	1013734	Washer, Lock, 8 mm	2
23	1014947	Assembly, Resistor	1
24	8639	Tie, Wire	1
25	****	Z-Bracket, Controller Cover	1
	****	Special order item available upon request.	

12

E

12

E



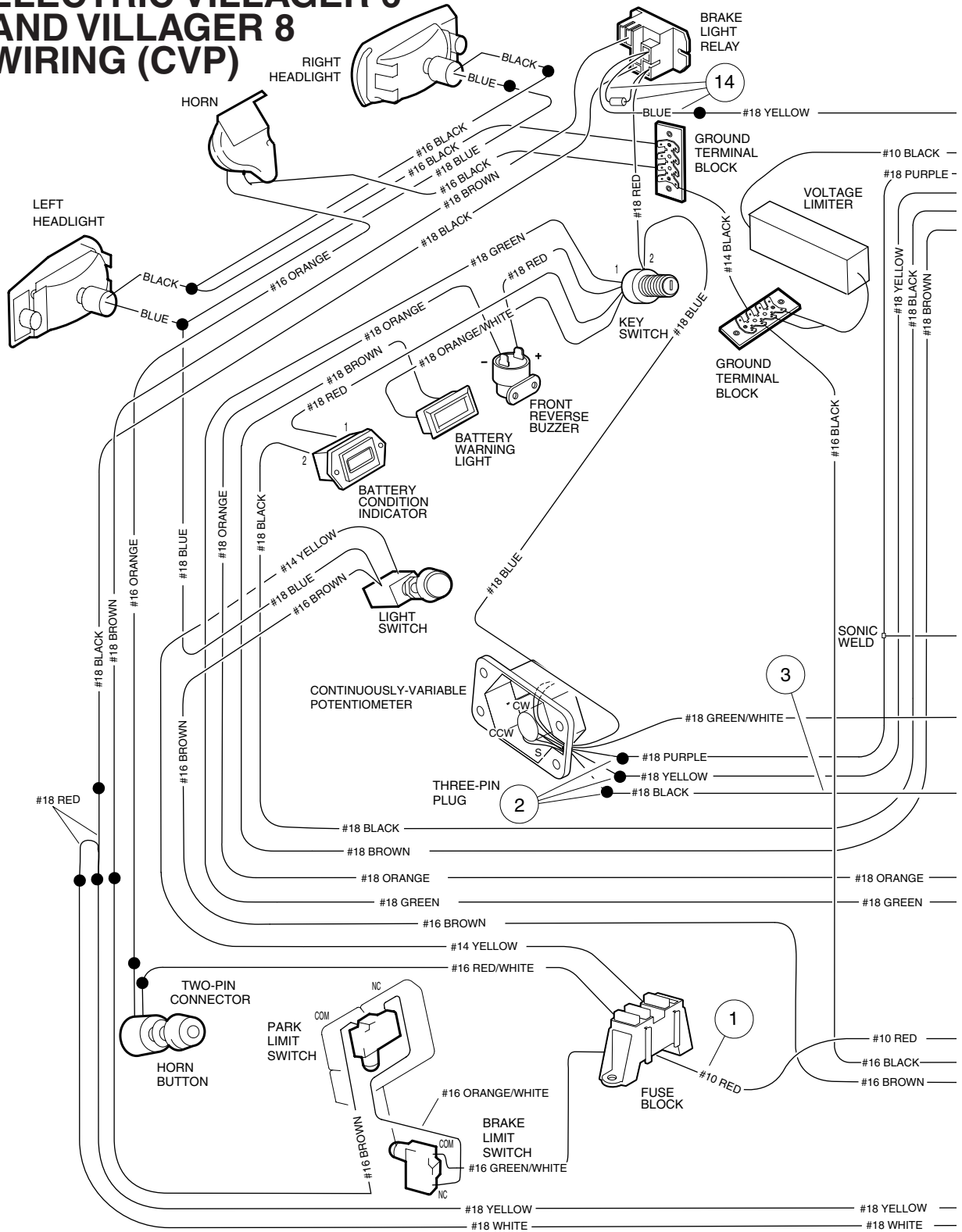
CONTINUOUSLY VARIABLE POTENTIOMETER – VILLAGER 6 AND 8, TRANSPORTER 4 AND 6 VEHICLES

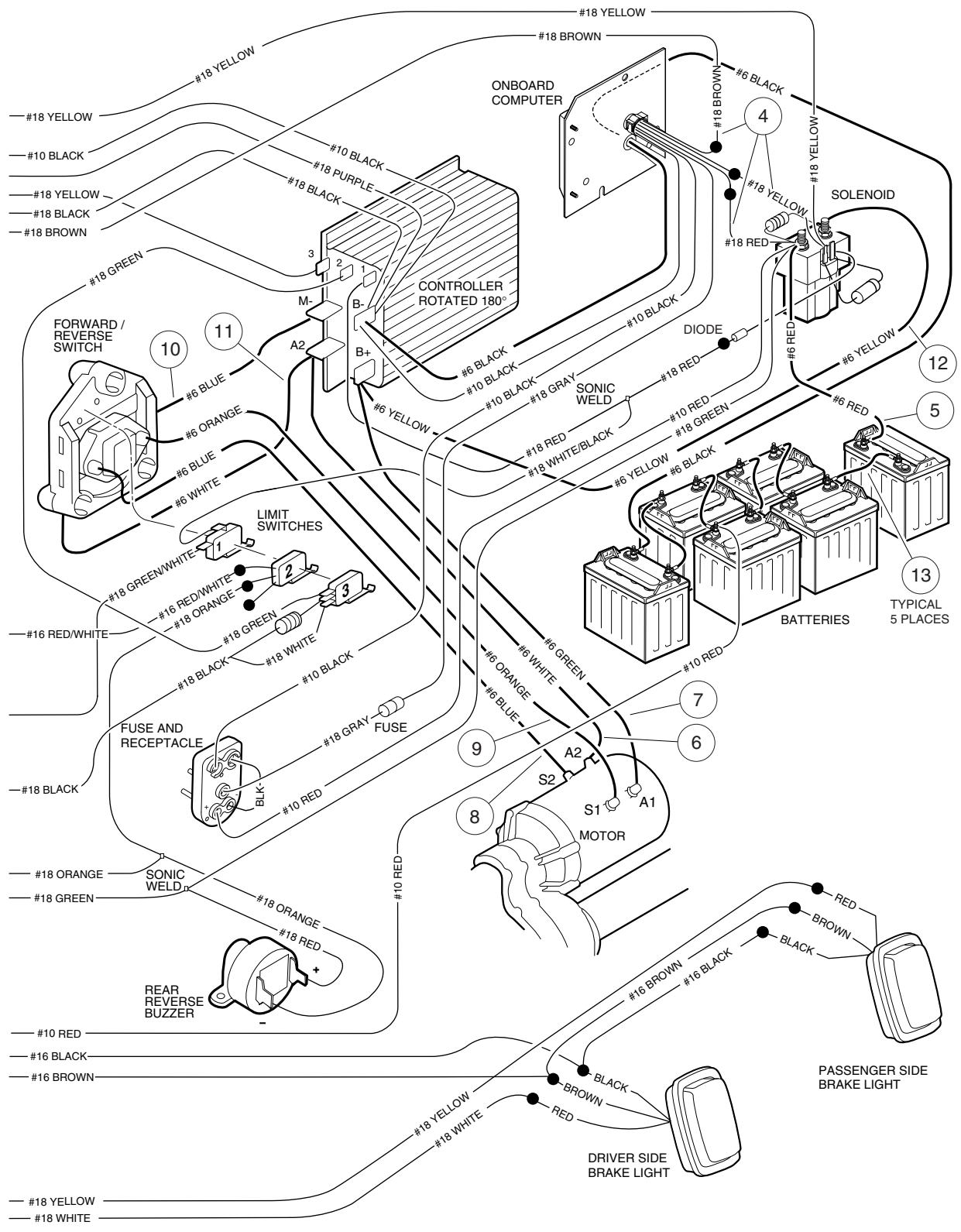
12

E

ITEM	PART NO.	DESCRIPTION	QTY
		<p style="text-align: center;">1 2 3 4</p> <p>NOTE: See page 12-9 for the MCOR Conversion Kit.</p> <p>This page pertains to vehicles with serial numbers lower than 0112-001470.</p>	
	101739201	Assembly, Potentiometer Housing with Gray Plug (includes items 1 - 13)	1
1	N/A	Housing, Potentiometer	1
2	1017830	Switch, Limit	1
3	101822601	Screw, Hex-Head, #4-24	2
4	101809001	Lever, Potentiometer	1
5	1017853	Screw, Hex-Head, #6-32 x 3/4	1
6	1011229	Nut, Lock, "K", #6-32	1
7	N/A	Wire Assembly, #18 Blue	1
8	N/A	Wire Assembly, #18 Green/White	1
9	N/A	Potentiometer	1
10	8990	Tie, Wire	3
11	N/A	Conduit, Electrical	1
12	1017424	Bearing, Pivot Support	1
13	101895101	Receptacle, 3-Pin	1
14	101920101	Kit, 3-Pin Plug	1
15	101804301	Screw, Hex-Head Hi-Lo, #8-18 x 1/2	2
16	1017743	Cover, Accelerator	1
17	8233	Nut, Nylon Lock, 1/4-20	4
18	332	Washer, Flat, 1/4	4
19	101861901	Screw, Hex-Head Cap, 1/4-20 x 1-1/8	4

ELECTRIC VILLAGER 6 AND VILLAGER 8 WIRING (CVP)





12

E

See previous two pages for wiring diagram.

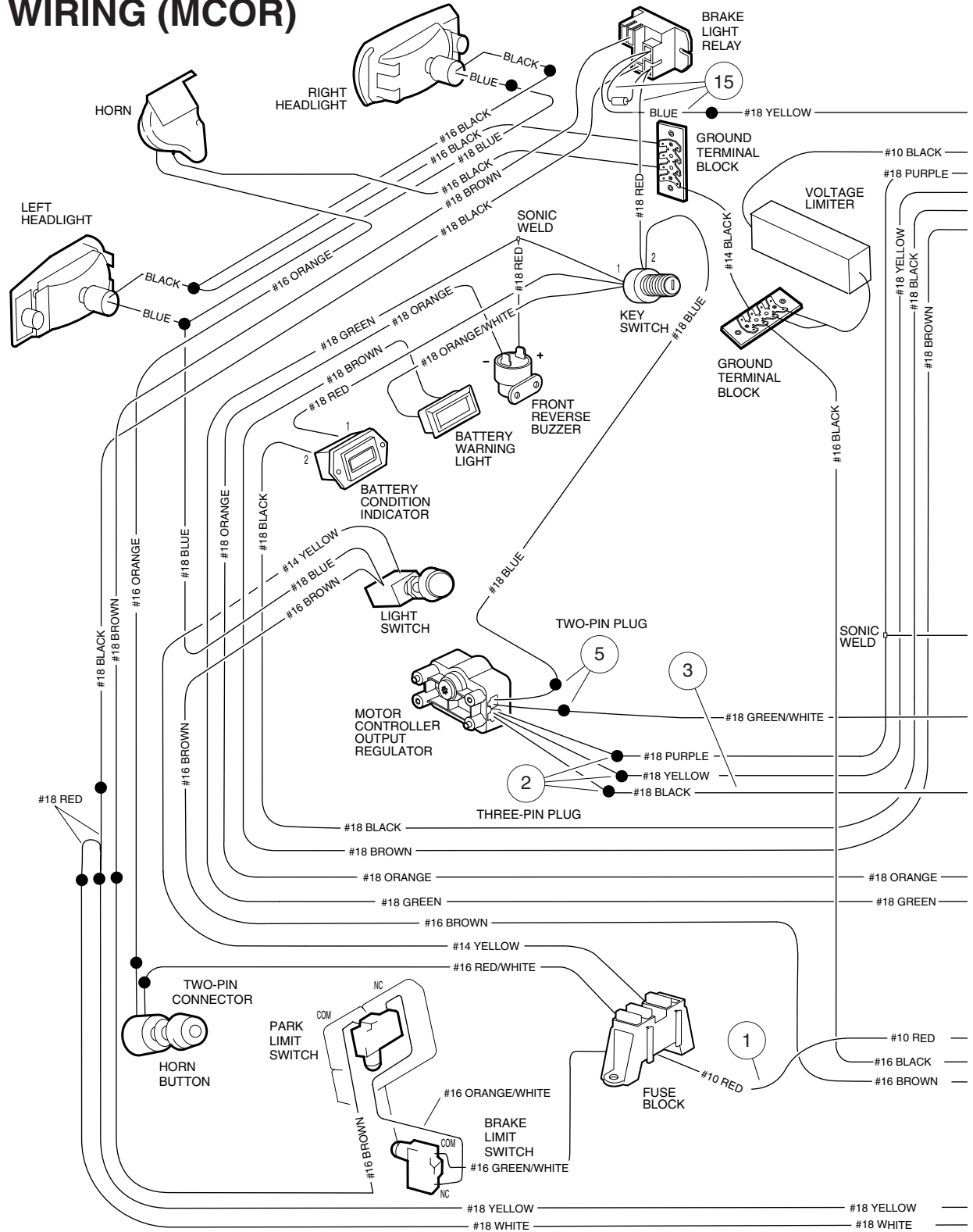
WIRING – POWERDRIVE SYSTEM 48 VILLAGER 6 AND 8 WITH CONTINUOUSLY VARIABLE POTENTIOMETER

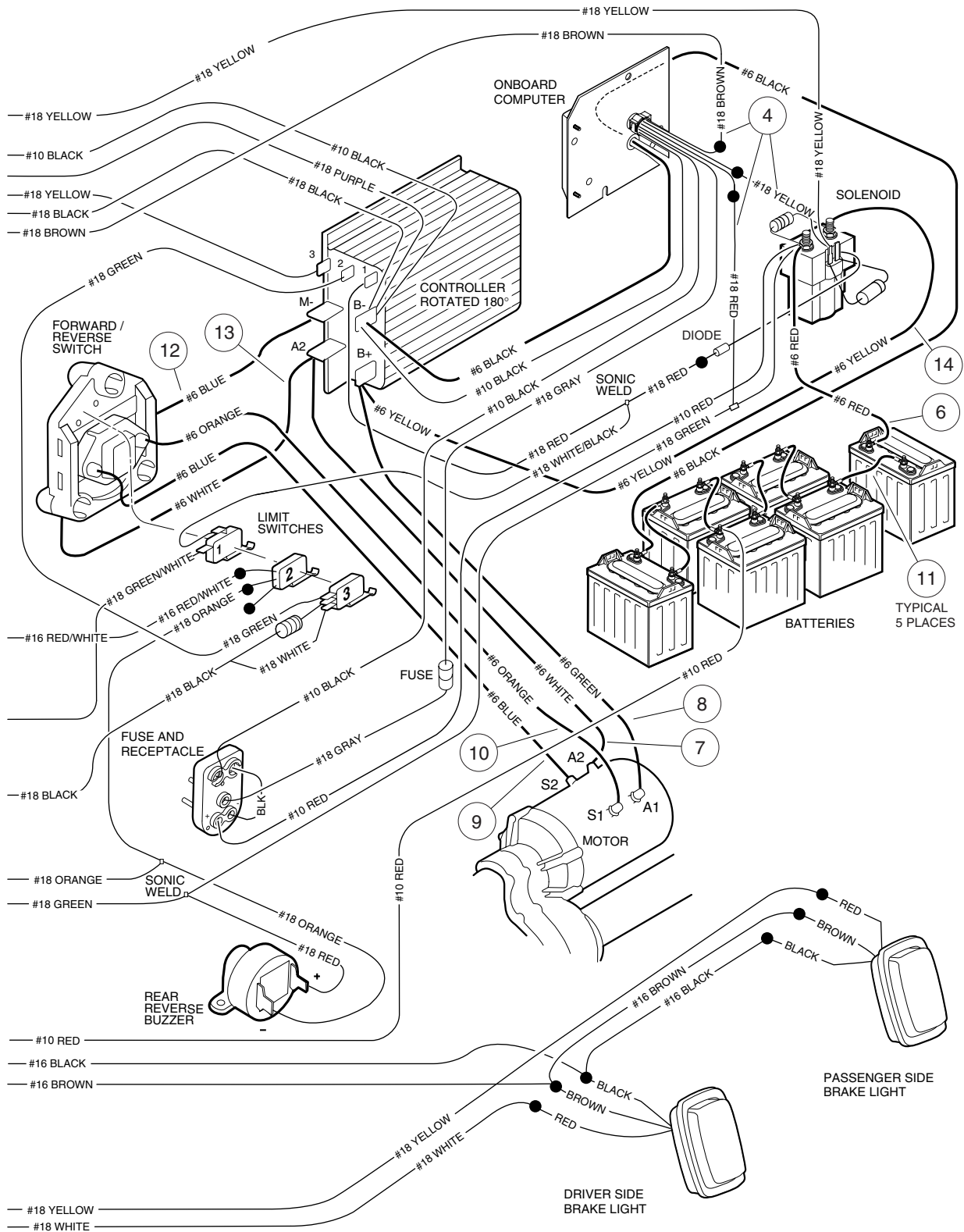
ITEM	PART NO.	DESCRIPTION	QTY
		1 2 3 4 For Villager 6 and 8 vehicles with serial numbers lower than 0112-001470.	
	101969301	Wire Harness, Lighting (includes item 1)	1
1	1016698	Wire Assembly, #10 Red	1
	101911601	Wire Harness, Power (includes item 2 - 4)	1
2	101865106	Assembly, 3-Wire Plug (includes item 3)	1
3	101883002	Wire Assembly, #18 Black (includes resistor and #18 white wire)	1
4	101930801	Assembly, 3-Pin Plug	1
5	101904502	Wire Assembly, #6 Red (Villager 6 only)	1
5	101904503	Wire Assembly, #6 Red (Villager 8 only)	1
6	101908902	Wire Assembly, #6 White (Villager 6 only)	1
6	101908903	Wire Assembly, #6 White (Villager 8 only)	1
7	101904402	Wire Assembly, #6 Green (Villager 6 only)	1
7	101904403	Wire Assembly, #6 Green (Villager 8 only)	1
8	101904602	Wire Assembly, #6 Blue (Villager 6 only)	1
8	101904603	Wire Assembly, #6 Blue (Villager 8 only)	1
9	101904702	Wire Assembly, #6 Orange (Villager 6 only)	1
9	101904703	Wire Assembly, #6 Orange (Villager 8 only)	1
10	101908801	Wire Assembly, #6 Blue	1
11	1016729	Wire Assembly, #6 White	1
12	1016732	Wire Assembly, #6 Yellow	1
13	101795701	Wire Assembly, #6 Black	5
14	101914401	Assembly, Voltage Suppressor (includes #18 red and #18 blue)	1

12

E

ELECTRIC VILLAGER 6 AND VILLAGER 8 WIRING (MCOR)





12

E

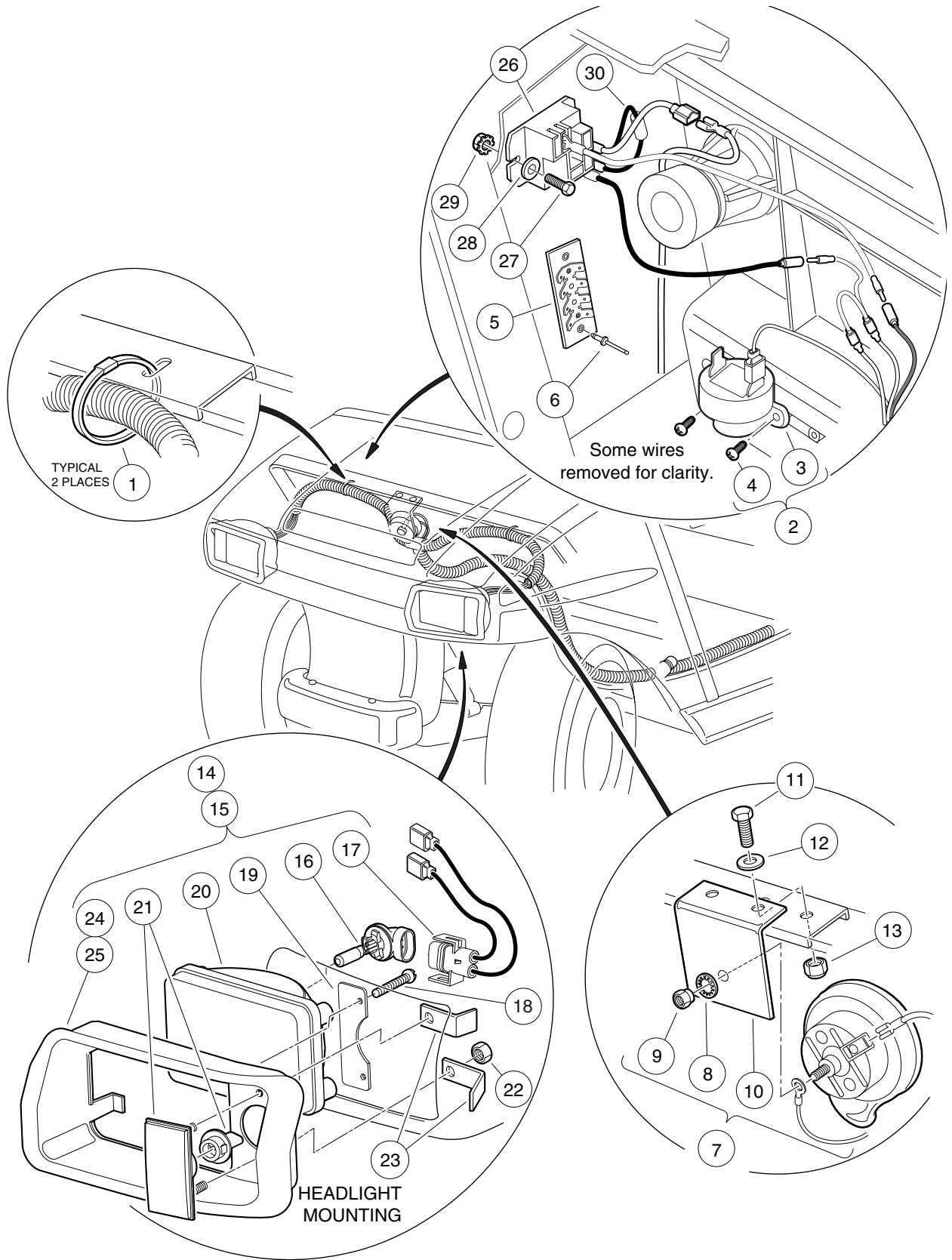
See previous two pages for wiring diagram.

WIRING – POWERDRIVE SYSTEM 48 VILLAGER 6 AND 8 VEHICLES WITH MCOR

12

E

ITEM	PART NO.	DESCRIPTION	QTY
		1 2 3 4 For Villager 6 and 8 vehicles with serial numbers 0112-001470 and greater.	
1	101969301	Wire Harness, Lighting (includes item 1)	1
	1016698	Wire Assembly, #10 Red	1
2	101911601	Wire Harness, Power (includes item 2 - 5)	1
3	101865106	Assembly, 3-Wire Plug (includes item 3)	1
4	101883002	Wire Assembly, #18 Black (includes resistor and #18 white wire)	1
5	101930801	Assembly, 3-Pin Plug	1
6	101936801	Assembly, 2-Pin Plug	1
6	101904502	Wire Assembly, #6 Red (Villager 6 only)	1
6	101904503	Wire Assembly, #6 Red (Villager 8 only)	1
7	101908902	Wire Assembly, #6 White (Villager 6 only)	1
7	101908903	Wire Assembly, #6 White (Villager 8 only)	1
8	101904402	Wire Assembly, #6 Green (Villager 6 only)	1
8	101904403	Wire Assembly, #6 Green (Villager 8 only)	1
9	101904602	Wire Assembly, #6 Blue (Villager 6 only)	1
9	101904603	Wire Assembly, #6 Blue (Villager 8 only)	1
10	101904702	Wire Assembly, #6 Orange (Villager 6 only)	1
10	101904703	Wire Assembly, #6 Orange (Villager 8 only)	1
11	101795701	Wire Assembly, #6 Black	5
12	101908801	Wire Assembly, #6 Blue	1
13	1016729	Wire Assembly, #6 White	1
14	1016732	Wire Assembly, #6 Yellow	1
15	101914401	Assembly, Voltage Suppressor (includes #18 red and #18 blue)	1

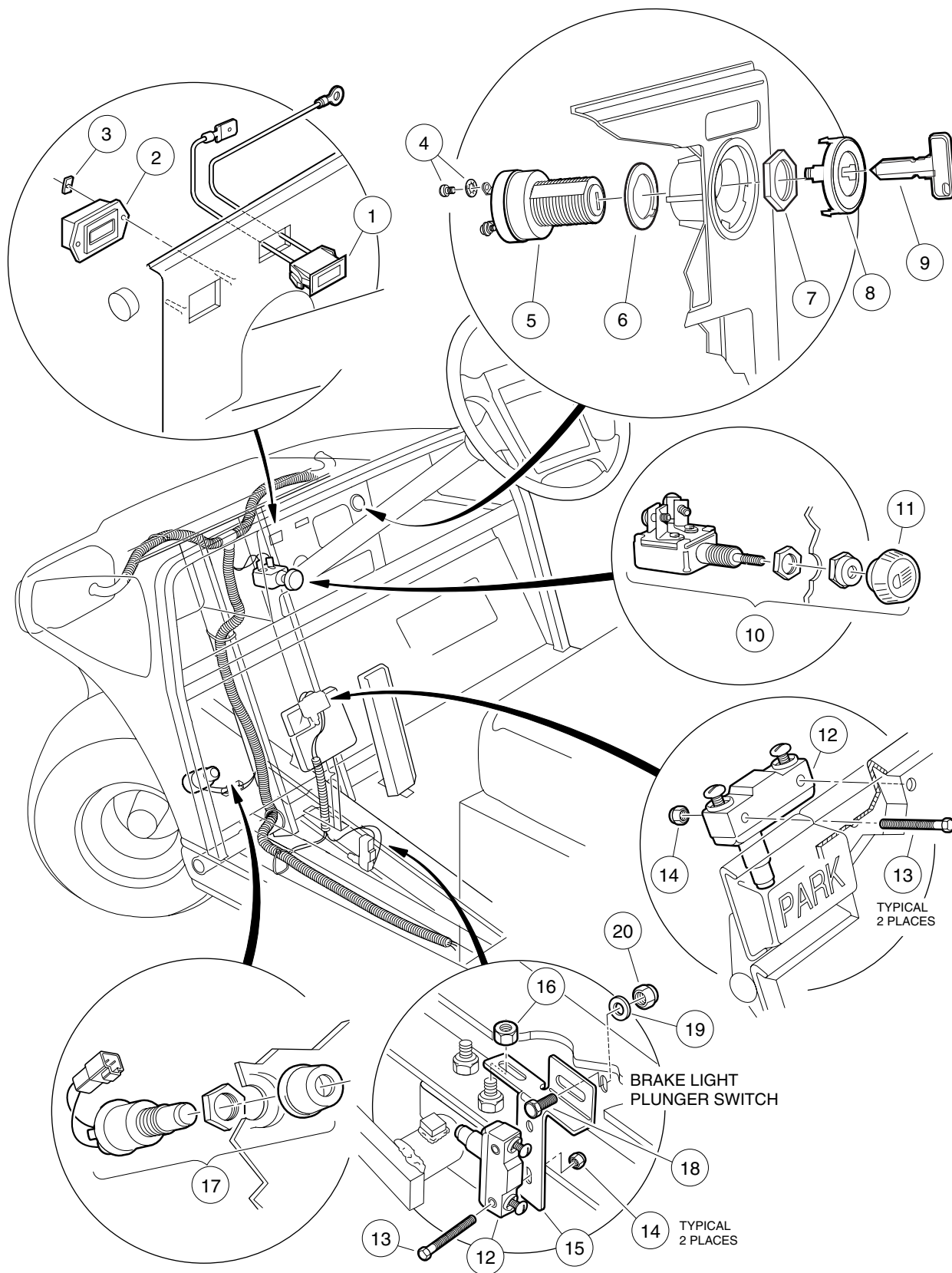


ELECTRICAL COMPONENTS, FRONT BODY – VILLAGER 6 AND 8, TRANSPORTER 4 AND 6 VEHICLES

ITEM	PART NO.	DESCRIPTION	QTY
		1 2 3 4	
1	8639	Tie, Wire	2
2	1016859	Kit, Reverse Buzzer (includes items 3 and 4)	1
3	1016851	Buzzer, Reverse	1
4	1016849	Screw, Pan-Head Hi-Lo, #4-24 x 5/16	2
5	1016356	Block, Terminal	1
6	1013357	Rivet, Aluminum Pop, 5/32 x 3/8	2
7	4029	Assembly, Horn (includes items 8 - 10)	1
8	7820	Washer, Internal Tooth, 5/16	1
9	101955101	Nut, M6 x 1.25	1
10	1011825	Bracket, Horn	1
11	304	Screw, Hex-Head Cap, 1/4-20 x 1	2
12	332	Washer, Flat, 1/4	2
13	8233	Nut, Nylon Lock, 1/4-20	2
14	101988001	Assembly, Headlight, Driver-Side (includes items 16 - 24)	1
15	101988002	Assembly, Headlight, Passenger-Side (includes items 16 - 23 and 25)	1
16	101988101	Bulb, Halogen	1
17	101987901	Harness, Headlight Wire	1
18	1013461	Screw, Hi-Lo, #10-16	2
19	1017065	Retainer, Headlight	1
20	101988201	Lens, Headlight	1
21	1017062	Assembly, Turn Signal Lens	1
22	7893	Nut, Hex, #10-32	2
23	1017064	Bracket, Mounting	2
24	1016880	Bezel, Headlight, Driver-Side	1
25	1016879	Bezel, Headlight, Passenger-Side	1
26	101828601	Relay, Brake Light, 48-volt	1
27	1017853	Bolt, Hex-Head Machine, 6-32 x 3/4	2
28	7591	Washer, Flat,	2
29	1011229	Nut, Lock, Hex, 6-32	2
30	101914401	Assembly, Voltage Suppressor	

12

E

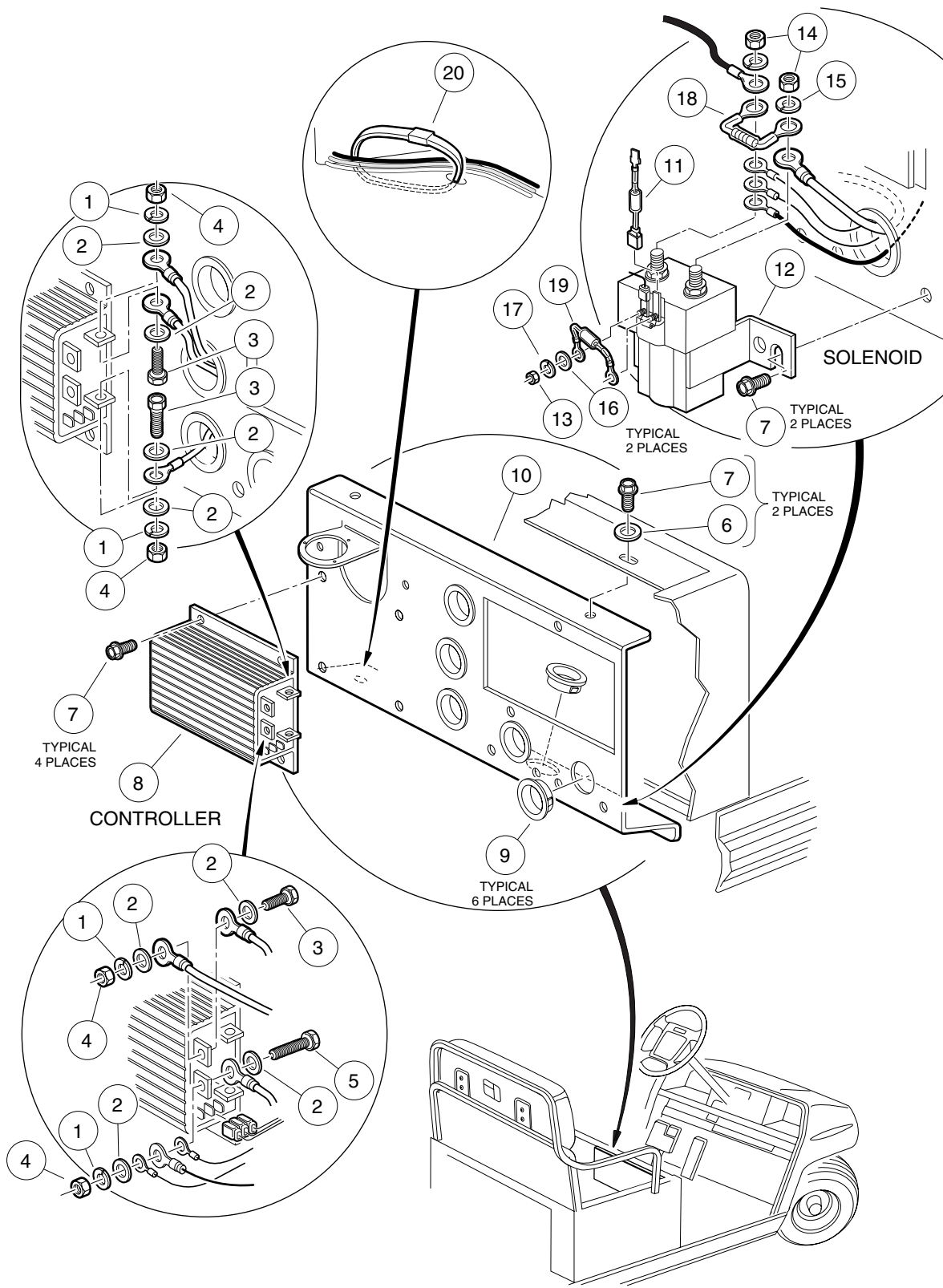


CONTROLS AND INDICATORS – VILLAGER 6 AND 8, TRANSPORTER 4 AND 6 VEHICLES

ITEM	PART NO.	DESCRIPTION	QTY
		1 2 3 4	
1	101935501	Light, Battery Warning (amber)	1
2	101814201	Indicator, Battery Condition	1
3	101814701	Retainer, Push On	2
4	101830601	Assembly, Screw and Washer	2
5	101826201	Switch, Key	1
6	101851101	Washer	1
7	101830701	Nut, Key Switch	1
8	101834502	Cap, Key Switch	1
9	1012505	Key (Pair)	1
10	4034	Switch, Light (includes item 11)	1
11	1013857	Knob, Light Switch	1
12	1011439	Switch, Limit	2
13	1011557	Screw, Hex-Head Machine, #6-32 x 1	4
14	101932201	Nut, Nylon Lock, #6-32	4
15	101957101	Bracket, Brake Light Switch	1
16	1011280	Nut, Lock, 5/16-18	1
17	101969701	Button, Horn	1
18	7173	Bolt, Hex-Head, Cap, 5/16-18 x 3/4	1
19	1241	Washer, Flat, 5/16-18	1
20	7473	Nut, Nylon Lock, 5/16-18	1

12

E

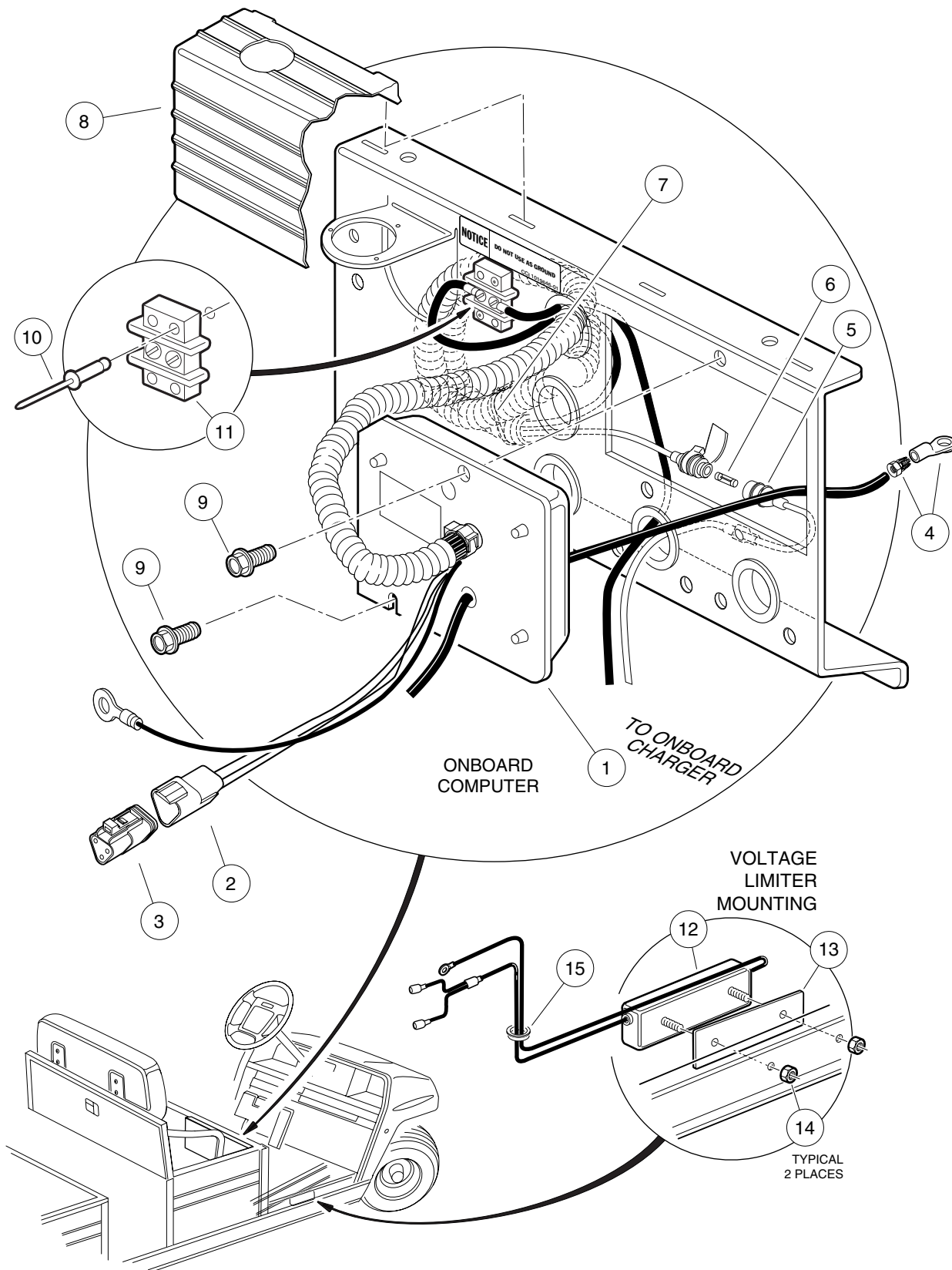


ELECTRICAL COMPONENTS, CENTER BODY – VILLAGER 6 AND 8, TRANSPORTER 4 AND 6 VEHICLES

ITEM	PART NO.	DESCRIPTION	QTY
		1 2 3 4	
1	7174	Washer, Lock, 5/16	4
2	1241	Washer, Flat, 5/16	8
3	7173	Screw, Hex-Head Cap, 5/16-18 x 3/4	3
4	1242	Nut, Hex, 5/16-18	4
5	1218	Screw, Hex-Head Cap, 5/16-18 x 1-1/4	1
6	332	Washer, Flat, 1/4 (Villager 6 and Villager 8 only)	2
7	1012285	Screw, Hex-Head Thread-Rolling, 1/4-20 x 5/8	8
8	101840203	Controller, 48-Volt (300-Amp)	1
9	101924301	Bushing, Snap	6
10	101911701	Plate, Mounting	1
11	102273101	Assembly, Diode	1
12	101908701	Solenoid, 48-Volt (with diode) (includes items 13 - 17)	1
13	1016545	Nut, Hex, M5 x 0.8	2
14	1012528	Nut, Hex, M8	2
15	7174	Washer, Lock, 5/16	2
16	N/A	Washer, Flat	2
17	N/A	Washer, Lock	2
18	1014947	Assembly, Resistor	1
19	1014948	Assembly, Diode (Service Part replacement for existing diode that comes standard with solenoid)	1
20	8639	Tie, Wire	1

12

E

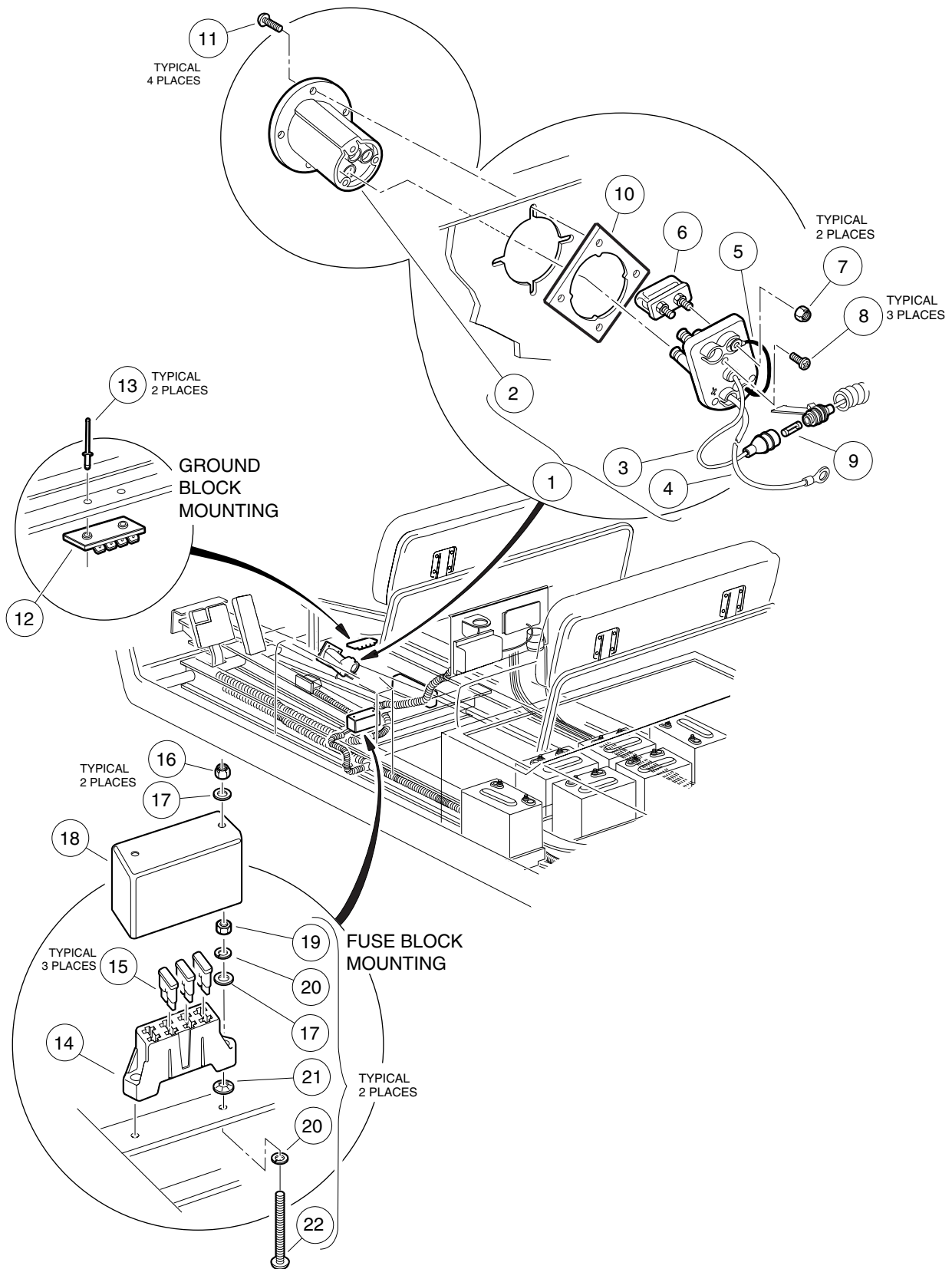


ELECTRICAL COMPONENTS, CENTER BODY, CONTINUED – VILLAGER 6 AND 8, TRANSPORTER 4 AND 6 VEHICLES

ITEM	PART NO.	DESCRIPTION	QTY
		1 2 3 4	
1	101909903	Computer, Onboard (includes item 2) (Villager 6, TransPorter 4 and TransPorter 6)	1
1	101909904	Computer, Onboard (includes item 2) (Villager 8)	1
2	101942301	Connector, 3-Pin	1
3	101920101	Kit, 3-Pin Plug Assembly	1
4	101827802	Kit, Wire and Terminal, #6 Black	1
5	101957501	Adapter, Two-Way (includes item 6)	1
6	101894901	Fuse, 3/8-Amp	1
7	8990	Tie, Wire	1
8	101931601	Cover, Component (TransPorter 4 and TransPorter 6 only)	1
9	1012285	Screw, Hex-Head Thread-Rolling, 1/4-20 x 5/8	2
10	101968801	Rivet, Pop, 3/16 x 13/16 (TransPorter 4 and TransPorter 6 only)	2
11	101966801	Block, Terminal (TransPorter 4 and TransPorter 6 only)	1
12	101810801	Limiter, Voltage (includes item 13 and 14)	1
13	101962601	Gasket	1
14	101835601	Nut, Flanged Lock, 1/4-20	2
15	101802401	Grommet, 5/8 (TransPorter 4 and TransPorter 6 only)	1

12

E

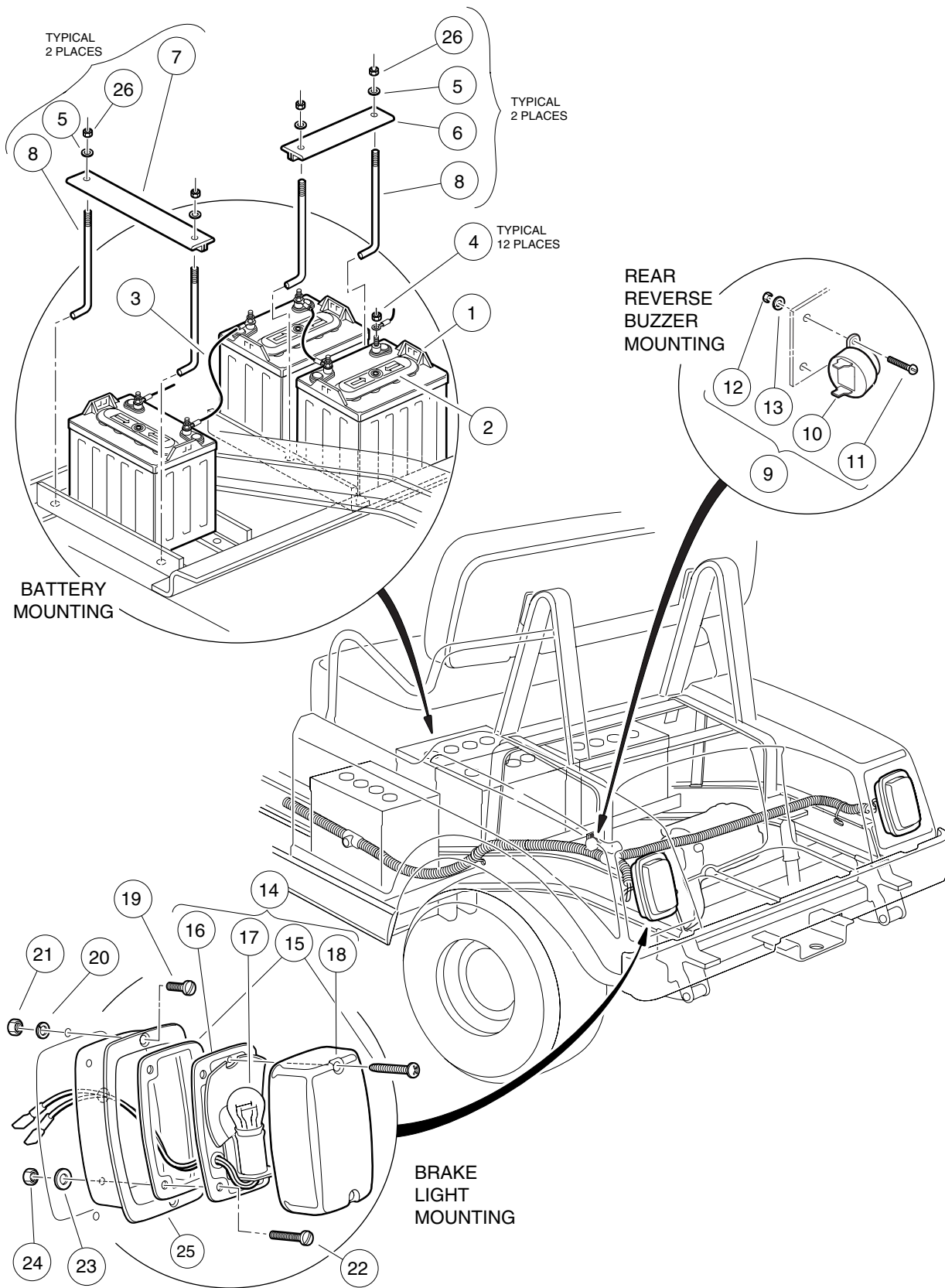


CHARGER RECEPTACLE – VILLAGER 6 AND VILLAGER 8 VEHICLES

ITEM	PART NO.	DESCRIPTION	QTY
		1 2 3 4	
1	101802101	Kit, Fuse and Receptacle (includes items 2 - 9)	1
2	101796501	Bezel, Receptacle	1
3	N/A	Wire Assembly, Sense Lead – Gray	1
4	N/A	Wire Assembly, #10 Red	1
5	N/A	Wire Assembly, #10 Black	1
6	101796801	Assembly, Fuse, 48-Volt (includes item 7)	1
7	1013061	Nut, Nylon Lock, #10	2
8	1017705	Screw, Phillips Pan-Head, #8 Type AB	3
9	101894901	Fuse, 3/8-Amp	1
10	101801001	Plate, Receptacle Backing	1
11	101832001	Screw, Phillips Pan-Head, #7-18 x 3/4	4
12	1016356	Block, Terminal	1
13	1013357	Rivet, Aluminum Pop, 5/32	2
14	1015741	Block, Fuse	1
15	1016423	Fuse, 20-Amp	3
16	1012438	Nut, Nylon Lock, #10-24	2
17	183	Washer, Flat, #10	4
18	1016363	Cover, Fuse Block	1
19	1017	Nut, Hex, #10-24	2
20	1016	Washer, Lock, #10	4
21	1016631	Nut, Push	2
22	1016366	Screw, Round-Head, #10-24 x 3	2

12

E



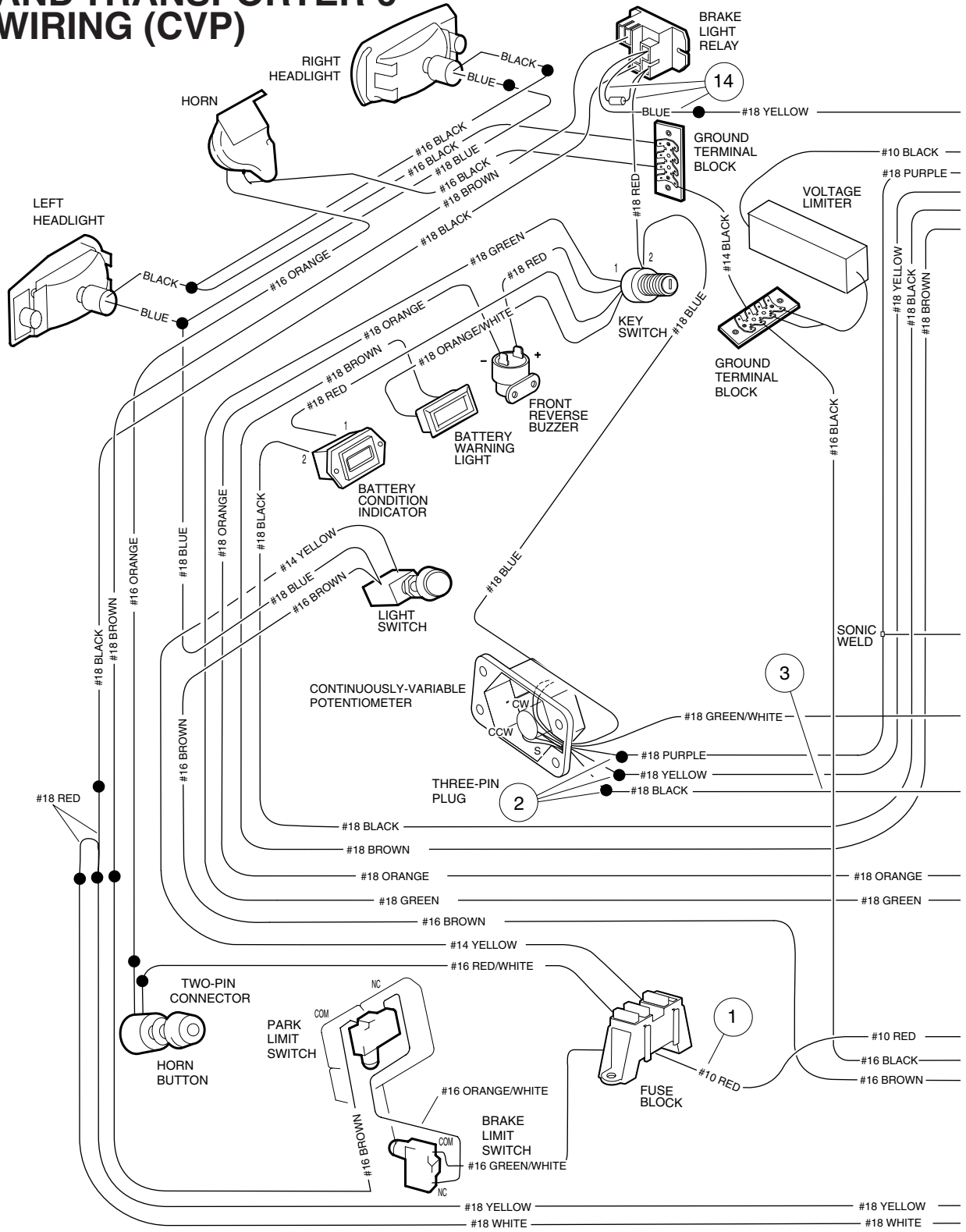
ELECTRICAL COMPONENTS, REAR BODY – VILLAGER 6 AND VILLAGER 8 VEHICLES

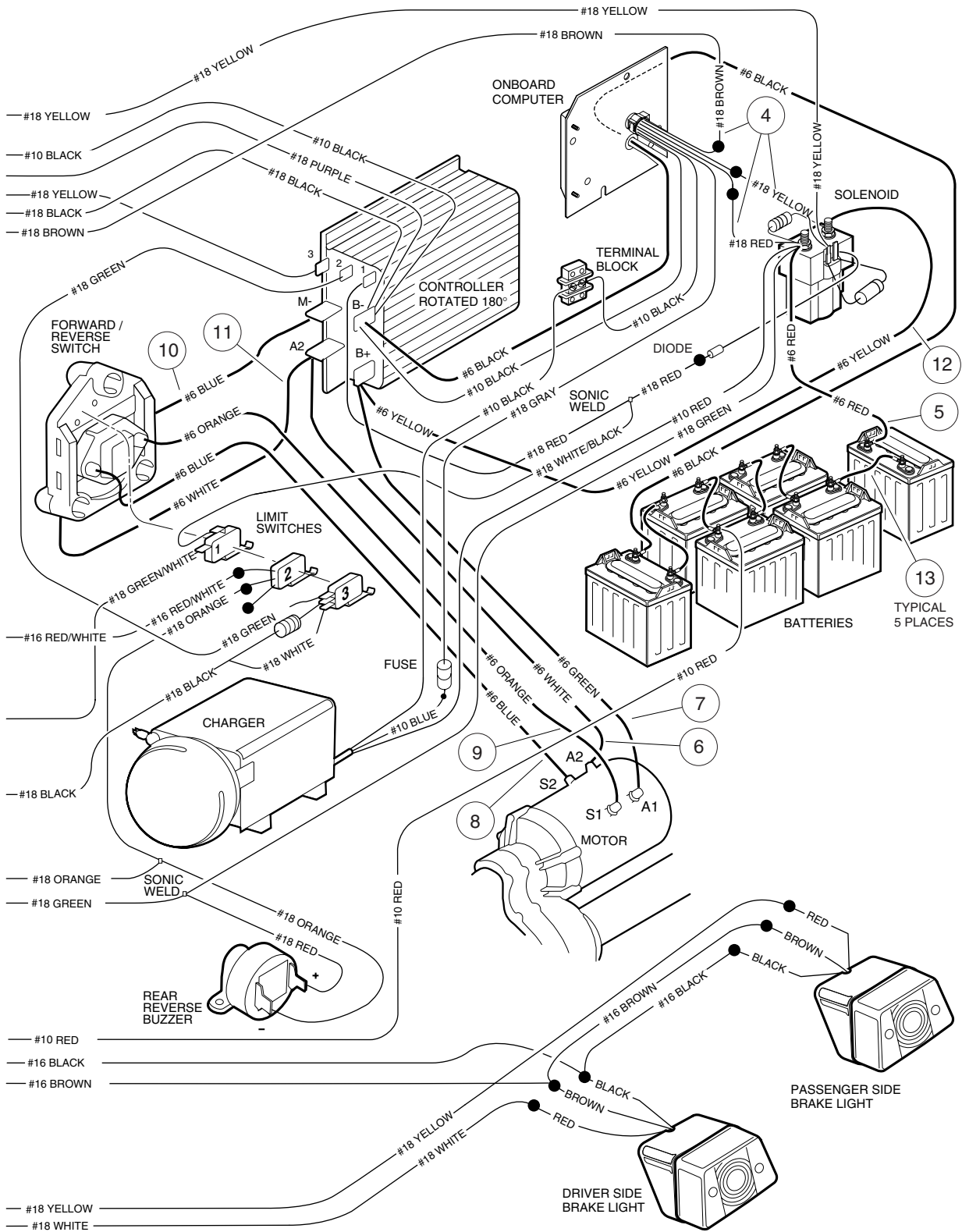
ITEM	PART NO.	DESCRIPTION	QTY
		1 2 3 4	
1	101797701	Battery, 8-Volt PowerDrive (includes item 2)	6
1	101797702	Battery, 8-Volt PowerDrive, Dry (includes item 2)	6
2	101797801	Cap, Battery, 4 Port Gang	1
3	101795701	Wire Assembly, #6 Black	5
4	1014304	Nut, Hex, Stainless Steel, 5/16-18	12
5	1011578	Washer, Flat, Type B Wide, 5/16	8
6	101090801	Hold-Down, Battery, Short	2
7	101090802	Hold-Down, Battery, Long	2
8	101668201	Rod, Battery Hold-Down	8
9	1016859	Kit, Reverse Buzzer (includes items 10 - 13)	1
10	1016851	Buzzer, Reverse	1
11	8056	Screw, Machine, #4-40 x 3/4	2
12	8057	Nut, Hex, #4-40	2
13	8058	Washer, Lock, #4	2
14	1017035	Assembly, Taillight (includes items 15 - 18)	2
15	1017699	Kit, Hardware	1
16	N/A	Base, Taillight	1
17	1011582	Bulb	1
18	1011843	Lens	1
19	1011498	Screw, Machine, #8-32 x 1/2	4
20	1011610	Washer, Lock, #8	4
21	1011571	Nut, Hex, #8-32	4
22	1011557	Screw, Machine, #6-32 x 1	4
23	7591	Washer, Flat, #6	4
24	1011558	Nut, Hex, #6	6
25	1011497	Bezel, Taillight	2
26	1015072	Nut, Nylon Lock, Stainless Steel, 5/16-18	8

12

E

ELECTRIC TRANSPORTER 4 AND TRANSPORTER 6 WIRING (CVP)





12

E

See previous two pages for wiring diagram.

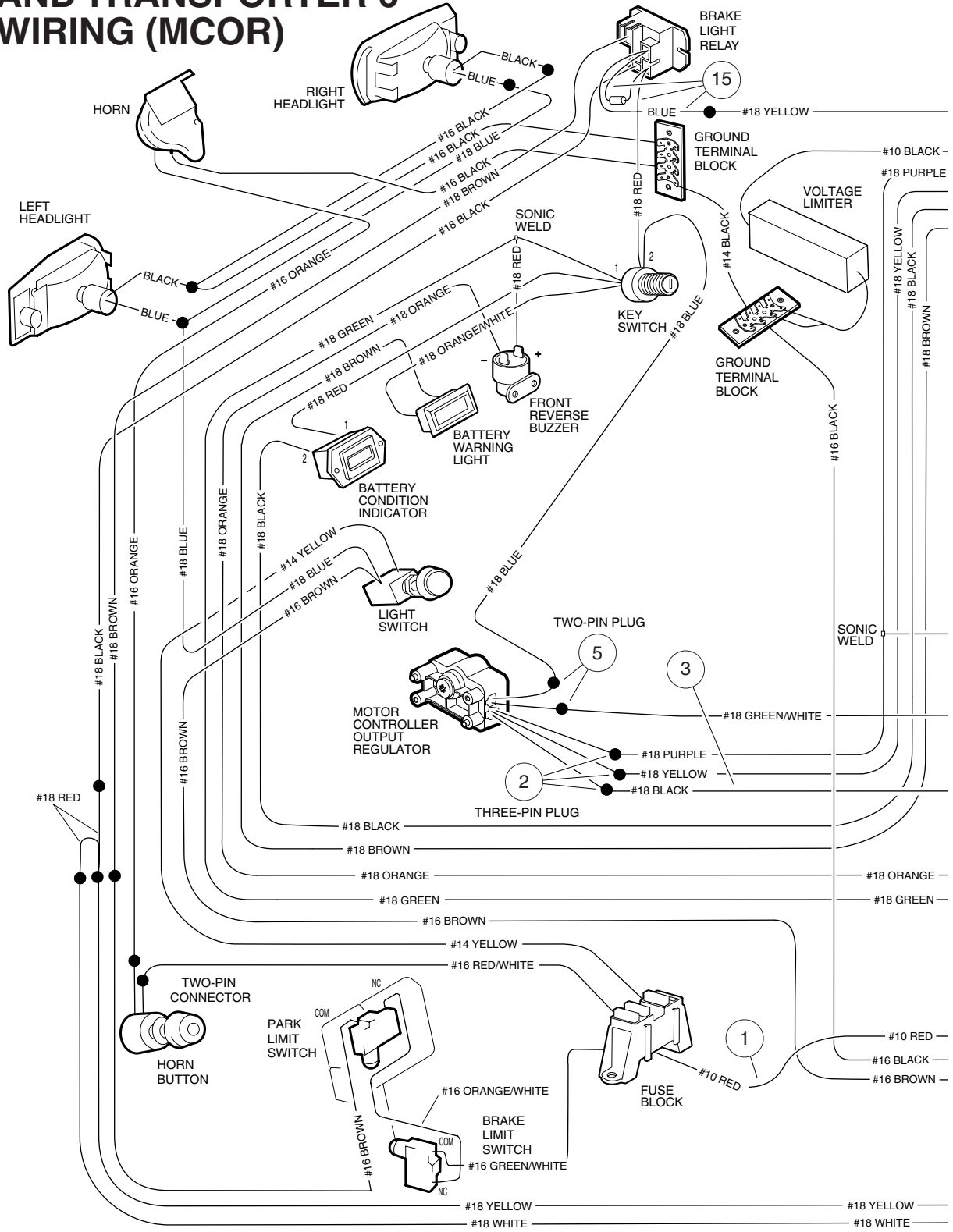
WIRING – TRANSPORTER 4 AND TRANSPORTER 6 WITH CONTINUOUSLY VARIABLE POTENTIOMETER

12

E

ITEM	PART NO.	DESCRIPTION	QTY
		1 2 3 4 For TransPorter 4 and TransPorter 6 vehicles with serial numbers prior to 0112-001470.	
	101989901	Wire Harness, Lighting (includes item 1)	1
1	1016698	Wire Assembly, #10 Red	1
	101911601	Wire Harness, Power (includes items 2 - 4)	1
2	101865106	Assembly, 3-Wire Plug (includes item 3)	1
3	101883002	Wire Assembly, #18 Black (includes resistor and #18 white wire)	1
4	101930801	Assembly, 3-Pin Plug	1
5	101904502	Wire Assembly, #6 Red (TransPorter 4 only)	1
5	101904503	Wire Assembly, #6 Red (TransPorter 6 only)	1
6	101908902	Wire Assembly, #6 White (TransPorter 4 only)	1
6	101908903	Wire Assembly, #6 White (TransPorter 6 only)	1
7	101904402	Wire Assembly, #6 Green (TransPorter 4 only)	1
7	101904403	Wire Assembly, #6 Green (TransPorter 6 only)	1
8	101904602	Wire Assembly, #6 Blue (TransPorter 4 only)	1
8	101904603	Wire Assembly, #6 Blue (TransPorter 6 only)	1
9	101904702	Wire Assembly, #6 Orange (TransPorter 4 only)	1
9	101904703	Wire Assembly, #6 Orange (TransPorter 6 only)	1
10	101908801	Wire Assembly, #6 Blue	1
11	1016729	Wire Assembly, #6 White	1
12	1016732	Wire Assembly, #6 Yellow	1
13	101795701	Wire Assembly, #6 Black	5
14	101914401	Assembly, Voltage Suppressor (includes #18 red and #18 blue)	1

ELECTRIC TRANSPORTER 4 AND TRANSPORTER 6 WIRING (MCOR)



12

E

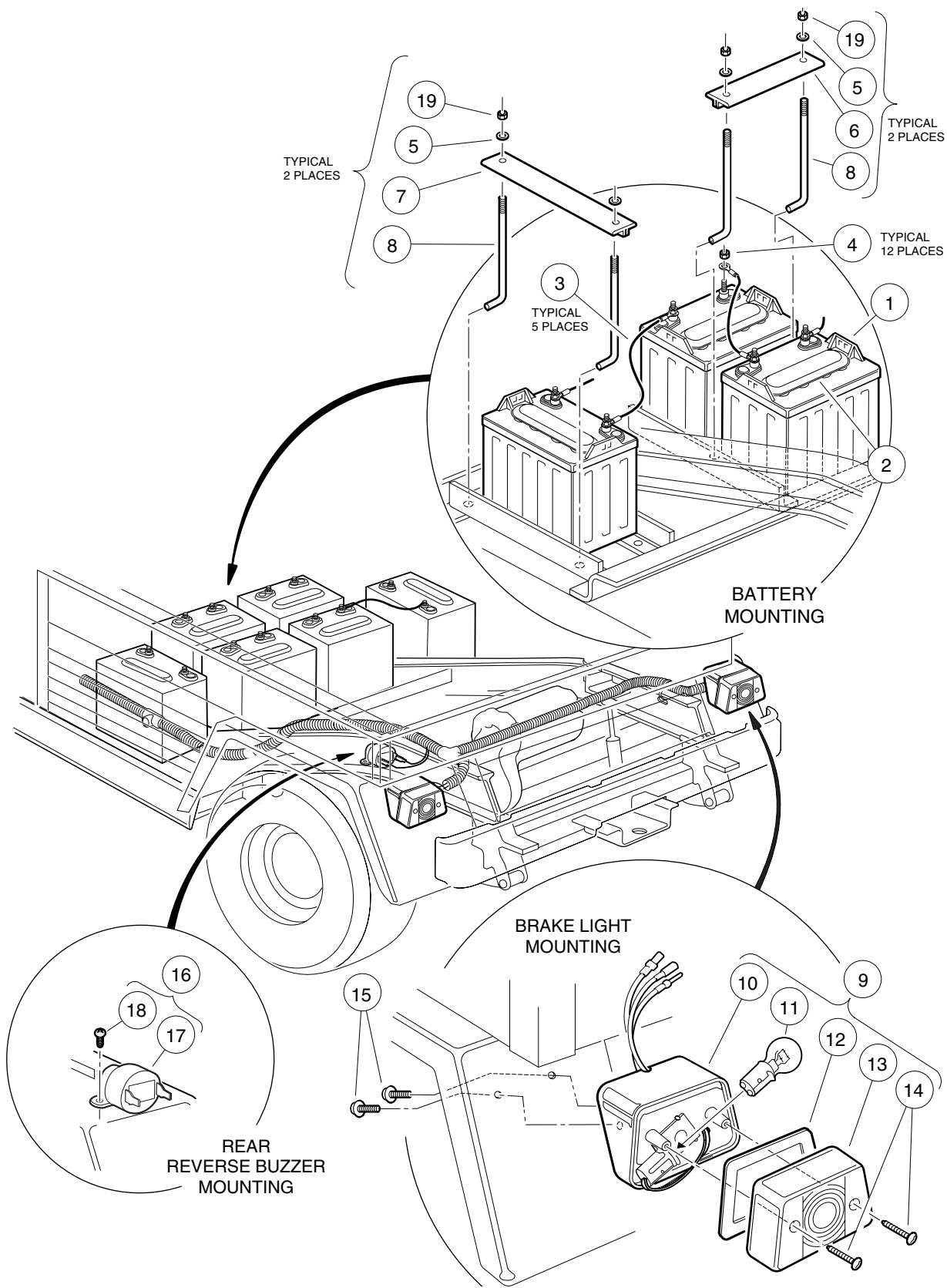
See previous two pages for wiring diagram.

WIRING – TRANSPORTER 4 AND TRANSPORTER 6 WITH MOTOR CONTROLLER OUTPUT REGULATOR (MCOR)

12

E

ITEM	PART NO.	DESCRIPTION	QTY
		1 2 3 4 For TransPorter 4 and TransPorter 6 vehicles with serial numbers 0112-001470 and greater.	
	101969301	Wire Harness, Lighting (includes item 1)	1
1	1016698	Wire Assembly, #10 Red	1
	101911601	Wire Harness, Power (includes item 2 - 5)	1
2	101865106	Assembly, 3-Wire Plug (includes item 3)	1
3	101883002	Wire Assembly, #18 Black (includes resistor and #18 white wire)	1
4	101930801	Assembly, 3-Pin Plug	1
5	101936801	Assembly, 2-Pin Plug	1
6	101904502	Wire Assembly, #6 Red (TransPorter 4 only)	1
6	101904503	Wire Assembly, #6 Red (TransPorter 6 only)	1
7	101908902	Wire Assembly, #6 White (TransPorter 4 only)	1
7	101908903	Wire Assembly, #6 White (TransPorter 6 only)	1
8	101904402	Wire Assembly, #6 Green (TransPorter 4 only)	1
8	101904403	Wire Assembly, #6 Green (TransPorter 6 only)	1
9	101904602	Wire Assembly, #6 Blue (TransPorter 4 only)	1
9	101904603	Wire Assembly, #6 Blue (TransPorter 6 only)	1
10	101904702	Wire Assembly, #6 Orange (TransPorter 4 only)	1
10	101904703	Wire Assembly, #6 Orange (TransPorter 6 only)	1
11	101795701	Wire Assembly, #6 Black	5
12	101908801	Wire Assembly, #6 Blue	1
13	1016729	Wire Assembly, #6 White	1
14	1016732	Wire Assembly, #6 Yellow	1
15	101914401	Assembly, Voltage Suppressor (includes #18 red and #18 blue)	1



ELECTRICAL COMPONENTS, REAR BODY – TRANSPORTER 4 AND TRANSPORTER 6 VEHICLES

ITEM	PART NO.	DESCRIPTION	QTY
		1 2 3 4	
1	101797701	Battery, 8-Volt PowerDrive (includes item 2)	6
1	101797702	Battery, 8-Volt PowerDrive, Dry (includes item 2)	6
2	101797801	Cap, Battery, 4 Port Gang	6
3	101795701	Wire Assembly, #6 Black	5
4	1014304	Nut, Hex, Stainless Steel, 5/16-18	12
5	1011578	Washer, Flat, Type B Wide, 5/16	8
6	101090801	Hold-Down, Battery, Short	2
7	101090802	Hold-Down, Battery, Long	2
8	101668201	Rod, Battery Hold-Down	8
9	1016717	Assembly, Taillight (includes items 10 - 14)	2
10	N/A	Housing, Taillight	1
11	1011582	Bulb	1
12	N/A	Gasket	1
13	N/A	Lens	1
14	N/A	Screw, Lens	2
15	1015752	Screw, Hi-Lo, #12-16 x 5/8	4
16	1016859	Kit, Reverse Buzzer (includes items 17 and 18)	1
17	1016851	Buzzer, Reverse	1
18	1016849	Screw, Pan-Head Hi-Lo, #4-24 x 5/16	2
19	1015072	Nut, Nylon Lock, Stainless Steel, 5/16-18	8

12

E

12

E

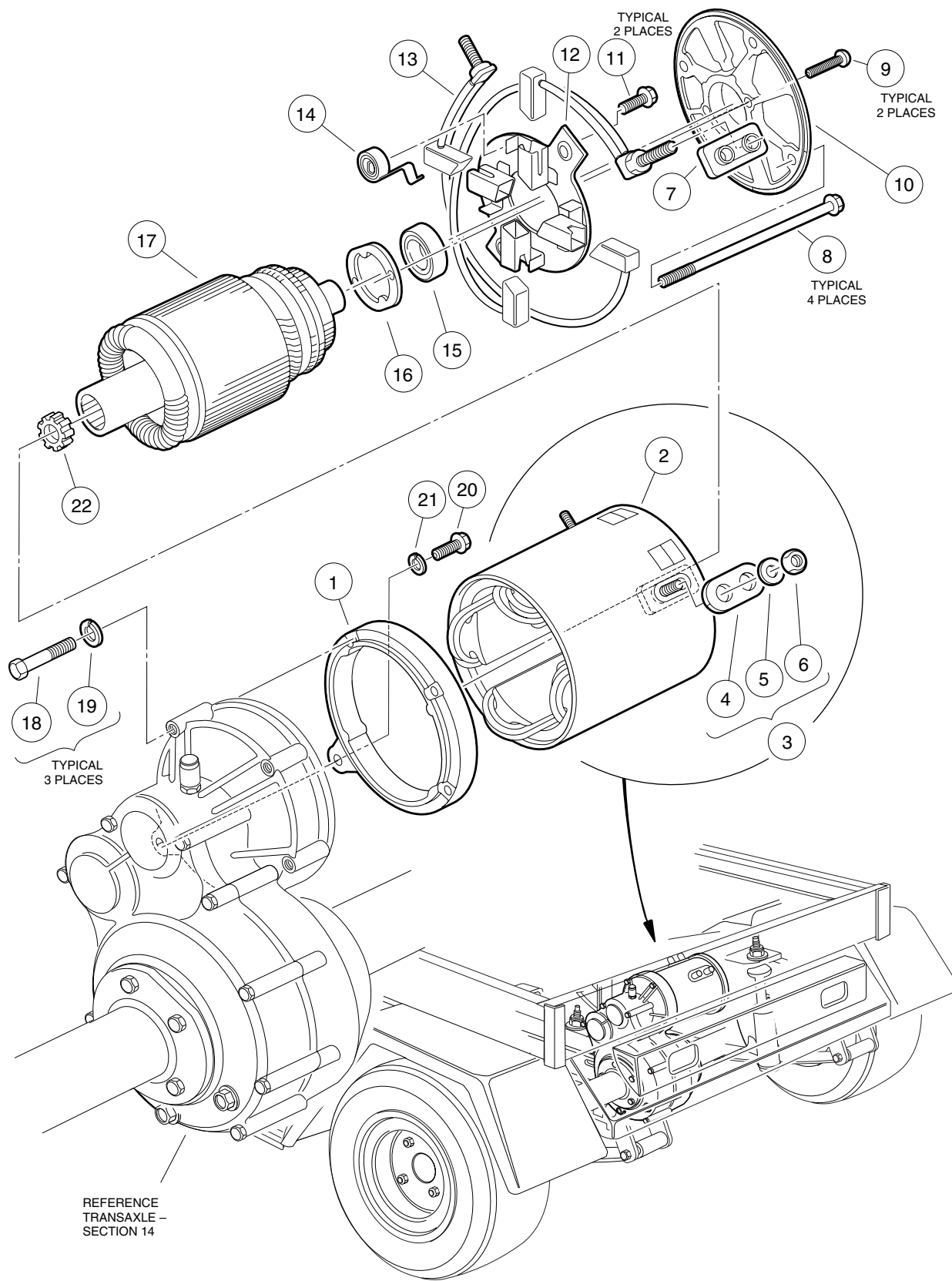
ELECTRIC MOTOR

13

E

13

E

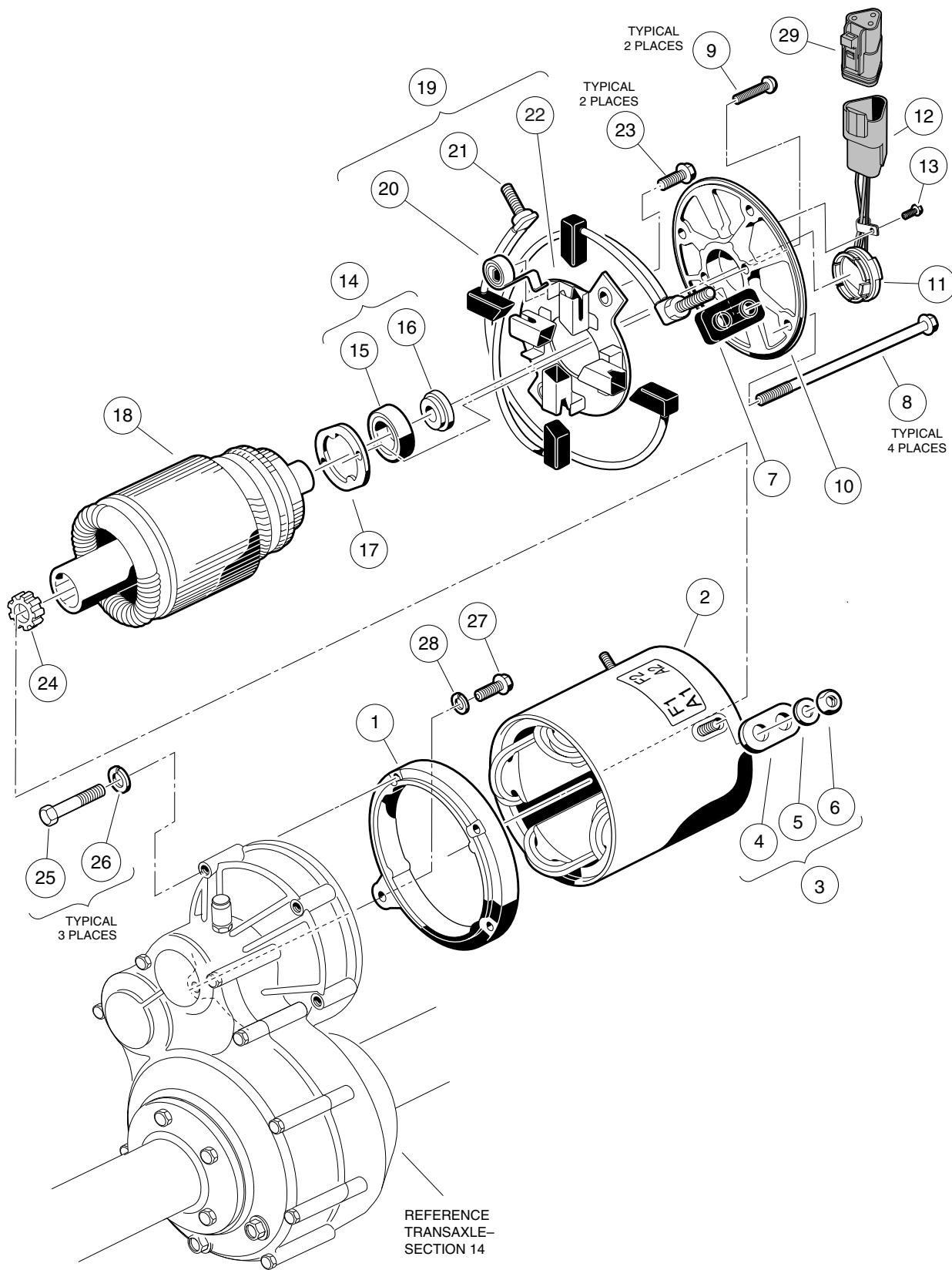


MOTOR – POWERDRIVE SYSTEM 48 VEHICLE

ITEM	PART NO.	DESCRIPTION	QTY
		1 2 3 4	
	102237701	Assembly, 48-Volt Motor, 3.10-hp (includes items 1 - 17)	1
1	1017944	Shield, End	1
2	1017958	Assembly, Stator Shell and Winding	1
3	1017947	Package, Hardware (includes items 4 - 7)	1
4	N/A	Bushing, Insulator	2
5	N/A	Washer, Flat, 5/16	4
6	N/A	Nut, Hex, 5/16-18	4
7	N/A	Bushing, Insulator	2
8	1017961	Screw, Clamp	4
9	1017953	Screw, Bearing Retainer	2
10	1017951	Shield, End	1
11	1017949	Screw, Brush Holder	2
12	1017948	Rigging, Brush	1
13	1017946	Package, Brush (2 pieces) (includes 4 brushes).....	1
14	1011411	Package, Brush Spring (4 pieces)	1
15	1011290	Bearing, Ball	1
16	1017950	Retainer, Bearing	1
17	N/A	Armature	1
18	1014201	Screw, Hex-Head Cap, 1/4-20 x 2-1/4	3
19	451	Washer, Lock, 1/4	3
20	1010934	Screw, Hex-Head Cap, 5/16-18 x 1	1
21	7174	Washer, Lock, 5/16	1
22	102235201	Bumper, Motor	1

13

E



MOTOR – IQ SYSTEM VEHICLE

ITEM	PART NO.	DESCRIPTION	QTY
		1 2 3 4	
	102240102	Assembly, 48-Volt IQ Motor, 3.20-hp (includes items 1 - 23)	1
1	1017944	Shield, End	1
2	102265501	Assembly, Stator Shell and Winding	1
3	1017947	Package, Hardware (includes items 4 - 7)	1
4	N/A	Bushing, Insulator	2
5	N/A	Washer, Flat, 5/16	4
6	N/A	Nut, Hex, 5/16-18	4
7	N/A	Bushing, Insulator	2
8	102266101	Screw, Clamp, #10-32 x 8-1/4	4
9	1017953	Screw, Bearing Retainer, #8-32 x 7/8	2
	102265901	Assembly, End Shield (includes items 10 - 13)	1
10	102266001	Shield, End	1
11	102265601	Sensor, Motor Speed (includes item 12)	1
12	101942301	Housing, Female 3-Wire, Gray	1
13	102267001	Screw, Steel Hex, Thread-Rolling, #8 x 3/8	1
14	102265701	Kit, Bearing and Magnet (includes items 15 and 16)	1
15	N/A	Bearing, Ball	1
16	N/A	Magnet	1
17	1017950	Retainer, Bearing	1
18	N/A	Armature	1
19	102327801	Assembly, Brush Rigging (includes items 20 - 22)	1
20	1011411	Package, Brush Spring (4 pieces)	1
21	102251901	Package, Brush (2 pieces) (includes 4 brushes)	1
22	1017948	Rigging, Brush	1
23	1017949	Screw, Brush Holder, #6-32 x 1/2	2
24	102235201	Bumper, Motor	1
25	1014201	Screw, Hex-Head Cap, 1/4-20 x 2-1/4	3
26	451	Washer, Lock, 1/4	3
27	1010934	Screw, Hex-Head Cap, 5/16-18 x 1	1
28	7174	Washer, Lock, 5/16	1
29	101920101	Kit, 3-Pin Plug Assembly, Gray	1

13

E

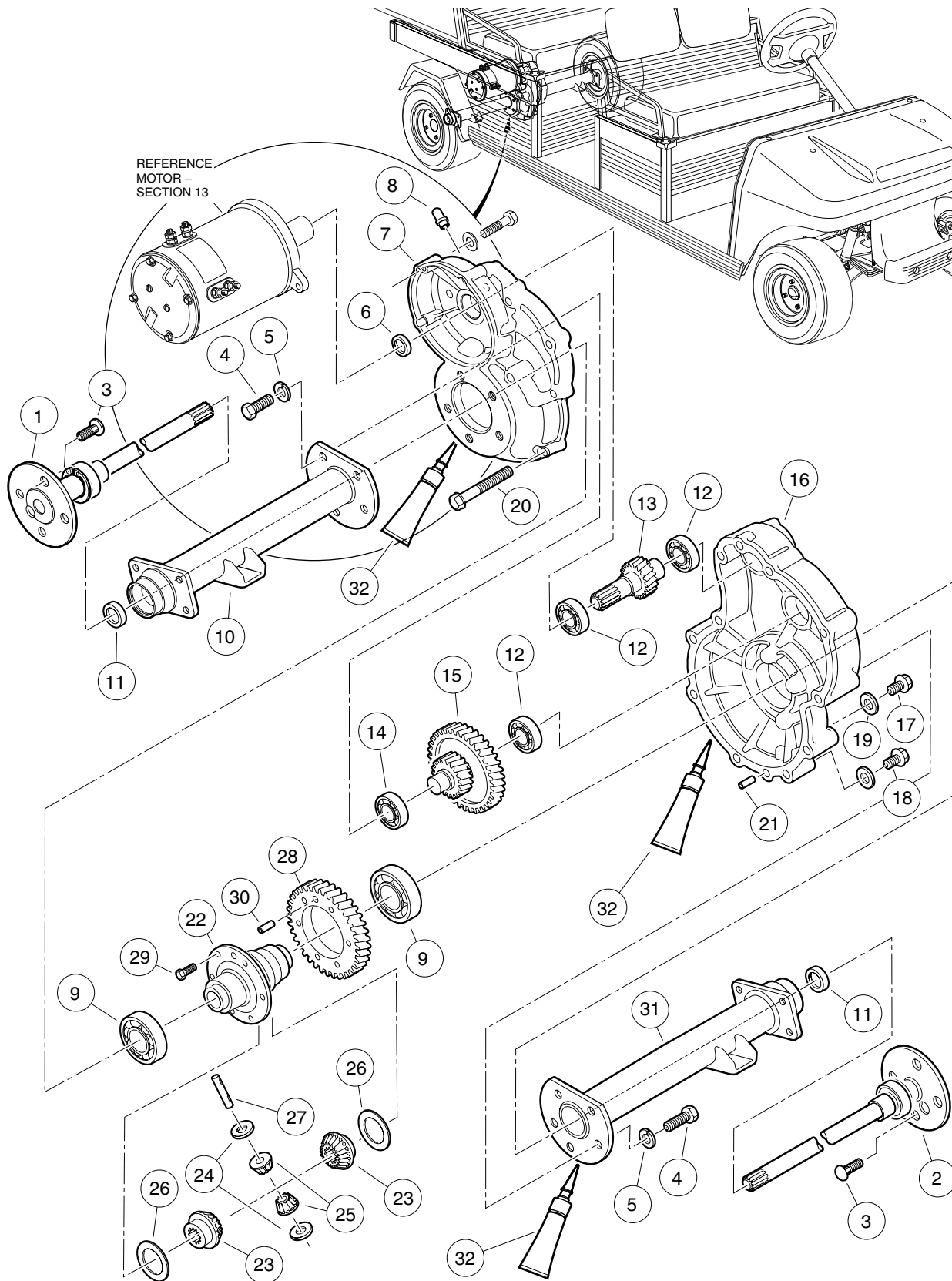
13

E

TRANSAXLE – ELECTRIC VEHICLE

14

E



TRANSAXLE, TYPE G – ELECTRIC VEHICLE

ITEM	PART NO.	DESCRIPTION	QTY
		1 2 3 4	
	101896001	Transaxle, Type G (includes items 1 - 32)	1
1	101895801	Axle Assembly, Passenger-Side (includes item 3)	1
2	101895901	Axle Assembly, Driver-Side (includes item 3)	1
3	101922201	Stud, Lug	4
4	101976001	Bolt, M10 x 1.5 x 35 mm	10
5	101897901	Washer, Lock	10
6	101923501	Seal, Oil, Input Shaft	1
7	101895501	Gear Case, Passenge-Side	1
8	101897201	Breather	1
9	7330	Bearing, Differential	2
10	101895601	Assembly, Axle Tube, Passenger-Side	1
11	1013794	Seal, Oil, Axle Shaft	2
12	7335	Bearing, Input Gear.....	3
13	101923701	Shaft, Input	1
14	7336	Bearing, Intermediate Gear	1
15	101906901	Assembly, Intermediate Gear	1
16	101895401	Gear Case, Driver-Side	1
17	101972201	Plug, Fill	1
18	101972101	Plug, Magnetic	1
19	101923201	Gasket, Plug	2
20	101897001	Bolt, M8 x 1.25 x 60 mm	11
21	101897601	Pin, Dowel	2
22	101923601	Housing, Differential	1
23	101923901	Gear, Differential	2
24	101903601	Plate, Thrust (idler gear)	2
25	101923001	Gear, Differential Idler	2
26	101903701	Plate, Thrust	2
27	101922101	Pin, Differential	1
28	101906201	Gear, Output	1
29	101897401	Bolt, M10 x 1.5 x 25 mm	4
30	101972401	Pin, Dowel	1
31	101895701	Assembly, Axle Tube, Driver-Side	1
32	101928701	Gasket, Liquid, 8.8 oz. (250 g)	A/R

14

E

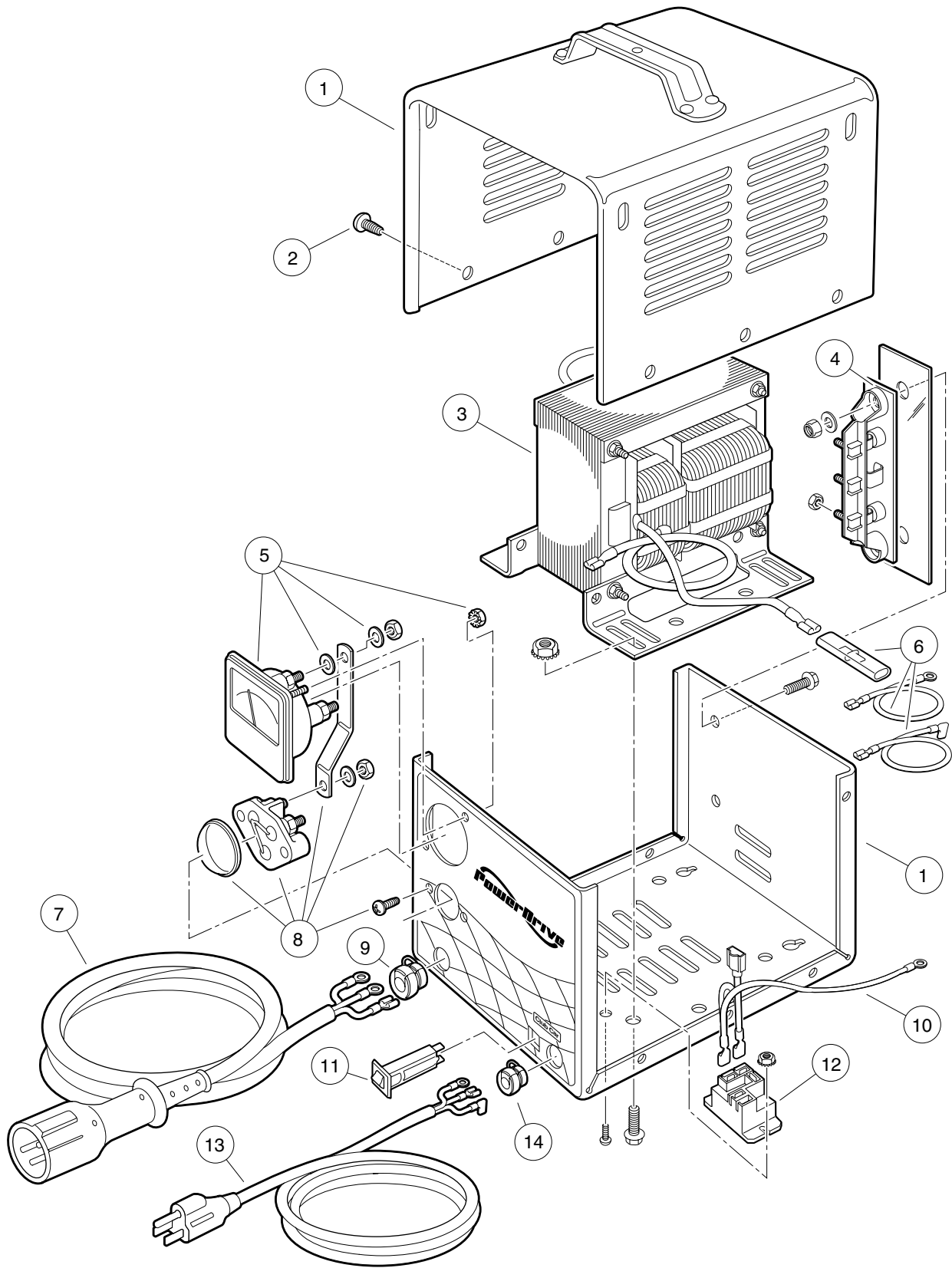
14

E

BATTERY CHARGER

15

E

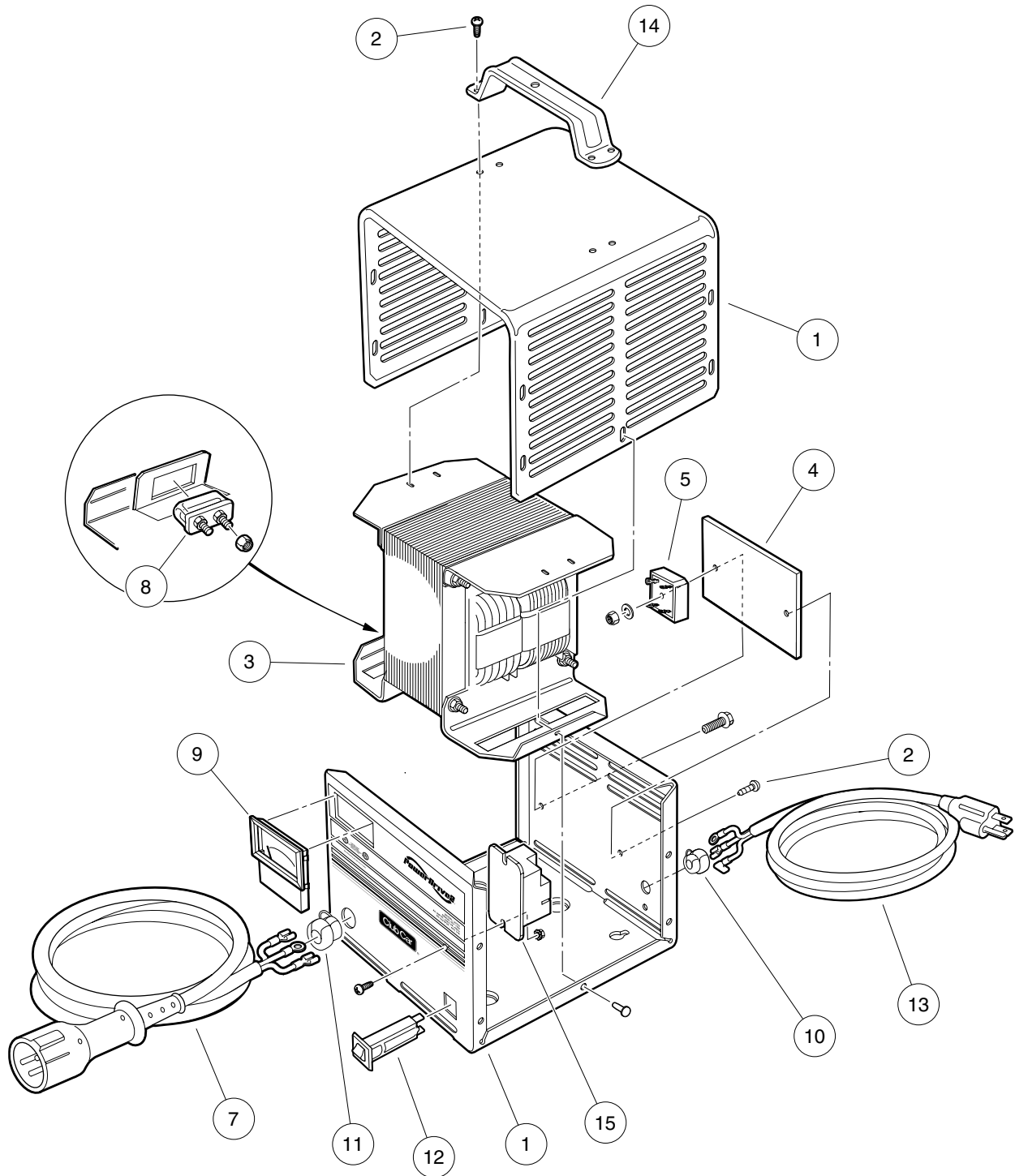


POWERDRIVE BATTERY CHARGER, DOMESTIC – VILLAGER 4, VILLAGER 6, AND VILLAGER 8

ITEM	PART NO.	DESCRIPTION	QTY
		1 2 3 4	
	101802201	Charger, Battery, PowerDrive, Domestic 120-V AC 48-V DC 60-Hz (model number 17930-11) (includes items 1 - 14) 103-inch DC cord with male 3-pin plug, 12-AWG 74-inch AC cord with male grounded plug	1
	101802202	Charger, Battery, PowerDrive 120-V AC 48-V DC 60-Hz (model number 17930-18) (includes items 1 - 14) 144-inch DC cord with male 3-pin plug, 12-AWG 108-inch AC cord with male grounded plug	1
	101802203	Charger, Battery, PowerDrive 120-V AC 48-V DC 60-Hz (model number 17930-19) (includes items 1 - 14) 240-inch DC cord with male 3-pin plug, 12-AWG 108-inch AC cord with male grounded plug	1
1	101828301	Assembly, Case (includes fasteners)	1
2	7577	Screw, Pan-Head, Self-Tapping, #10-16 x 1/2	10
3	101819701	Assembly, Transformer	1
4	1015914	Assembly, Heatsink, with Diodes (includes mounting hardware)	1
5	101828501	Ammeter (includes mounting hardware)	1
6	101831101	Kit, Wire Assembly	1
7	101828901	Cordset, DC, 113-Inch Long with Male 3-Pin Plug, 12-AWG	1
7	101828902	Cordset, DC, 154-Inch Long with Male 3-Pin Plug, 12-AWG	1
7	101828903	Cordset, DC, 250-Inch Long with Male 3-Pin Plug, 12-AWG	1
8	1012101	Assembly, Fuse (includes mounting hardware)	1
9	1012098	Bushing, Strain Relief, DC Cord, 12-AWG	1
10	101914401	Assembly, AC Voltage Suppressor	1
11	CCX8506	Breaker, Circuit, 15-Amp, 120-V AC	1
12	101828601	Relay, Power, 48-V DC	1
13	101828801	Cordset, AC, 80-Inch Long	1
13	101828802	Cordset, AC, 116-Inch Long	1
14	1015917	Bushing, Strain Relief, AC Cord	1

15

E

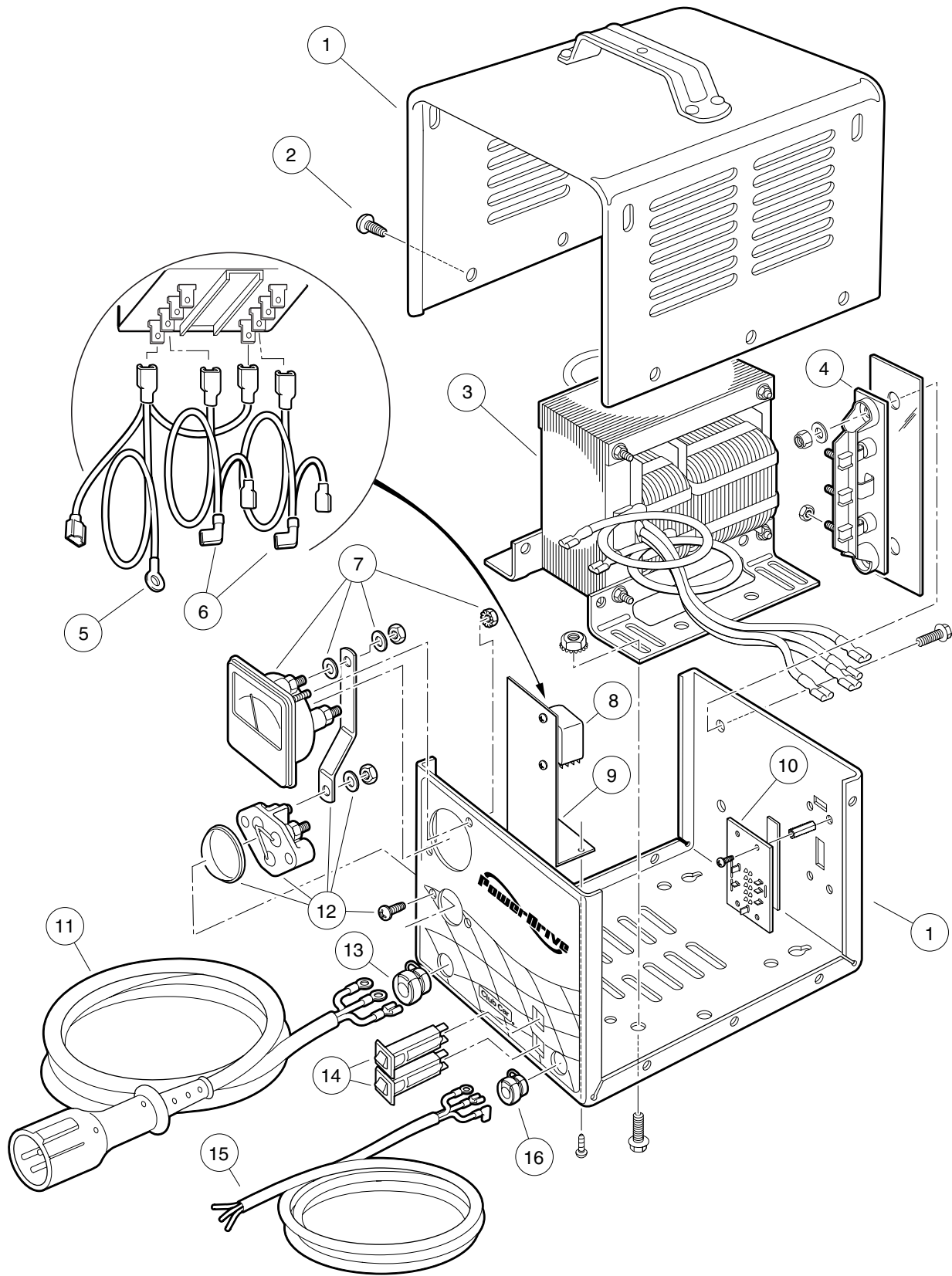


POWERDRIVE 2 CHARGER, DOMESTIC – VILLAGER 4

ITEM	PART NO.	DESCRIPTION	QTY
		1 2 3 4	
	101802204	Charger, Battery, PowerDrive, Domestic 120-V AC 48-V DC 60-Hz (model number 22110-11) (includes items 1 - 15) 103-inch DC cord with male 3-pin plug, 12-AWG 74-inch AC cord with male grounded plug	1
	101802205	Charger, Battery, PowerDrive 120-V AC 48-V DC 60-Hz (model number 22110-18) (includes items 1 - 15) 144-inch DC cord with male 3-pin plug, 12-AWG 108-inch AC cord with male grounded plug	1
	101802206	Charger, Battery, PowerDrive 120-V AC 48-V DC 60-Hz (model number 22110-19) (includes items 1 - 15) 240-inch DC cord with male 3-pin plug, 12-AWG 108-inch AC cord with male grounded plug	1
1	102273201	Assembly, Case (includes item 2)	1
2	7577	Screw, Pan-Head, Self-Tapping, #10-16 x 1/2	12
3	102273301	Assembly, Transformer (includes rivets)	1
4	102273401	Plate, Heatsink	1
5	102273501	Assembly, Diode with Heatsink Film (includes mounting hardware)	1
6	102273601	Kit, Wire Assembly (not shown)	1
7	101828904	Cordset, DC, 113-Inch Long with Male 3-Pin Plug, 12-AWG	1
7	101828905	Cordset, DC, 154-Inch Long with Male 3-Pin Plug, 12-AWG	1
7	101828906	Cordset, DC, 250-Inch Long with Male 3-Pin Plug, 12-AWG	1
8	102273701	Assembly, Fuse, 30-Amp (includes terminal hardware)	1
9	102273801	Ammeter (includes mounting hardware)	1
10	102273901	Bushing, Strain Relief, AC Cord	1
11	1012098	Bushing, Strain Relief, DC Cord, 12-AWG	1
12	CCX8506	Breaker, Circuit, 15-Amp, 120-V AC	1
13	101828801	Cordset, AC, 80-Inch Long	1
13	101828802	Cordset, AC, 116-Inch Long	1
14	102274001	Handle, PowerDrive 2 Charger (with four screws)	1
15	101828601	Relay, Power, 48-V DC	1

15

E

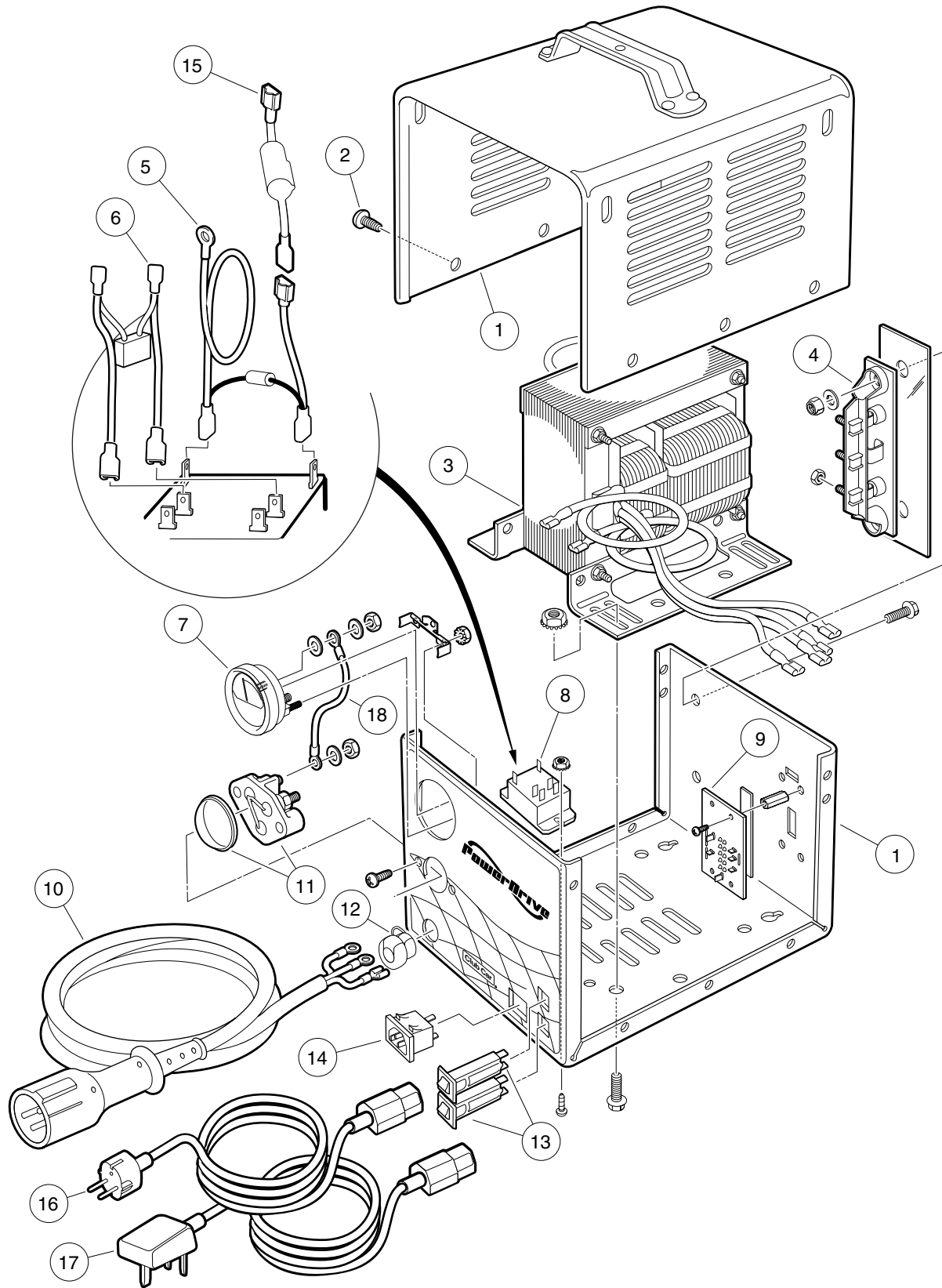


POWERDRIVE BATTERY CHARGER, EXPORT – VILLAGER 4, VILLAGER 6, AND VILLAGER 8

ITEM	PART NO.	DESCRIPTION	QTY
		1 2 3 4	
	101831503	Charger, Battery, PowerDrive, Export with 4-Position Switch 100 - 200 - 220 - 240 V AC, 48-V DC 50/60-Hz (model number 18780-11) (includes items 1 - 16) 103-inch DC cord with male 3-pin plug, 12-AWG 74-inch AC cord with no plug	1
	101831504	Charger, Battery, PowerDrive Export with 4-Position Switch 100 - 200 - 220 - 240 V AC, 48-V DC 50/60-Hz (model number 18780-18) (includes items 1 - 16) 144-inch DC cord with male 3-pin plug, 12-AWG 108-inch AC cord with no plug	1
1	N/A	Assembly, Case	1
2	7577	Screw, Pan-Head, Self-Tapping, #10-16 x 1/2	10
3	101838201	Assembly, Transformer	1
4	1015914	Assembly, Heatsink, with Diodes (includes mounting hardware)	1
5	101914401	Assembly, AC Voltage Suppressor	1
6	101838501	Kit, Wire Assembly	1
7	101828501	Ammeter (includes hardware)	1
8	101838301	Relay, Power, 48-V DC (includes mounting hardware)	1
9	101838701	Bracket, Power Relay Mounting	1
10	101838601	Switch, 4-Position Slide	1
11	101828901	Cordset, DC, 113-Inch Long with Male 3-Pin Plug, 12-AWG	1
11	101828902	Cordset, DC, 154-Inch Long with Male 3-Pin Plug, 12-AWG	1
11	101828903	Cordset, DC, 250-Inch Long with Male 3-Pin Plug, 12-AWG	1
12	1012101	Assembly, Fuse (includes hardware)	1
13	1012098	Bushing, Strain Relief, DC Cord, 12-AWG	1
14	101838401	Breaker, Circuit, 10-Amp	2
15	101831701	Cordset, AC, 80-Inch Long with Leads (no plug)	1
15	101831702	Cordset, AC, 116-Inch Long with Leads (no plug)	1
16	1015917	Bushing, Strain Relief, AC Cord	1

15

E

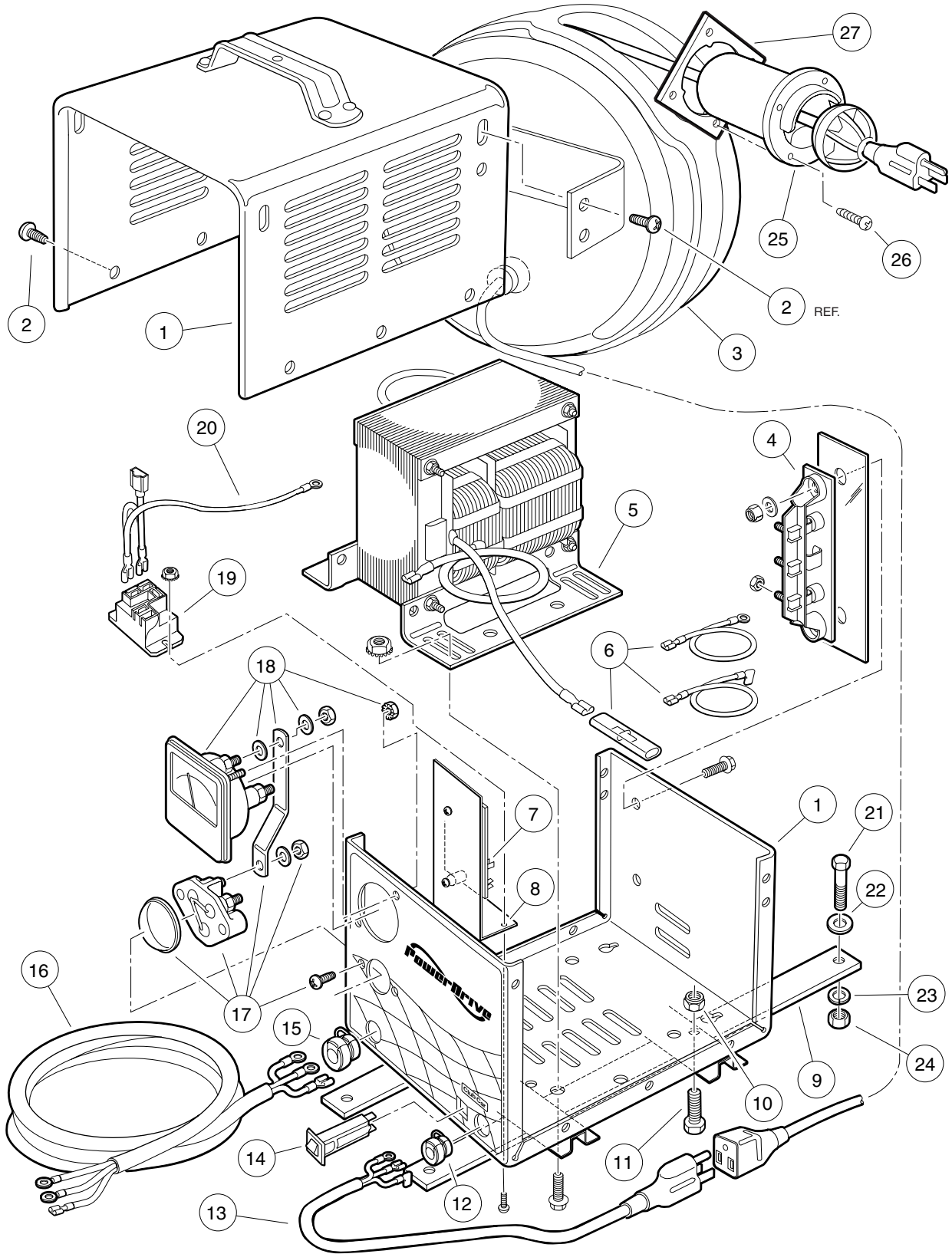


POWERDRIVE BATTERY CHARGER, EUROPEAN – VILLAGER 4, VILLAGER 6, AND VILLAGER 8

ITEM	PART NO.	DESCRIPTION	QTY
		1 2 3 4	
	101956201	Charger, Battery, PowerDrive, European with 4-Position Switch 100 - 200 - 220 - 240 V AC, 48-V DC 50/60-Hz (model number 20300) (includes items 1 - 15) 103-inch (261 cm) DC cord with male 3-pin plug, 12-AWG	1
	101956202	Charger, Battery, PowerDrive European with 4-Position Switch 100 - 200 - 220 - 240 V AC, 48-V DC 50/60-Hz (model number 20310) (includes items 1 - 15) 144-inch (366 cm) DC cord with male 3-pin plug, 12-AWG	1
1	N/A	Assembly, Case	1
2	7577	Screw, Pan-Head, Self-Tapping, #10-16 x 1/2	10
3	****	Assembly, Transformer	1
4	1015914	Assembly, Heatsink, with Diodes (includes mounting hardware)	1
5	****	Assembly, AC Voltage Suppressor.....	1
6	****	Kit, Wire Assembly	1
7	101976601	Ammeter (includes hardware)	1
8	101987501	Relay, Power, 48-V DC (includes mounting hardware)	1
9	101838601	Switch, 4-Position Slide	1
10	101828901	Cordset, DC, 103-Inch (261 cm) Long with Male 3-Pin Plug, 12-AWG	1
10	101828902	Cordset, DC, 144-Inch (366 cm) Long with Male 3-Pin Plug, 12-AWG	1
11	1012101	Assembly, Fuse (includes hardware)	1
12	1012098	Bushing, Strain Relief, DC Cord, 12-AWG	1
13	101838401	Breaker, Circuit, 10-Amp	2
14	101973501	Receptacle, AC Cord	1
15	****	Assembly, Current Limiter	1
16	101958301	Cordset, AC, Continental Europe, 96-Inch (244 cm) Long (with male 2-pin plug)	1
17	101958201	Cordset, AC, U.K., 96-Inch (244 cm) Long (with male 3-pin plug)	1
18	N/A	Wire, Jumper.....	1
	****	Special order item available on request	

15

E



ONBOARD POWERDRIVE BATTERY CHARGER, DOMESTIC – TRANSPORTER 4 AND TRANSPORTER 6

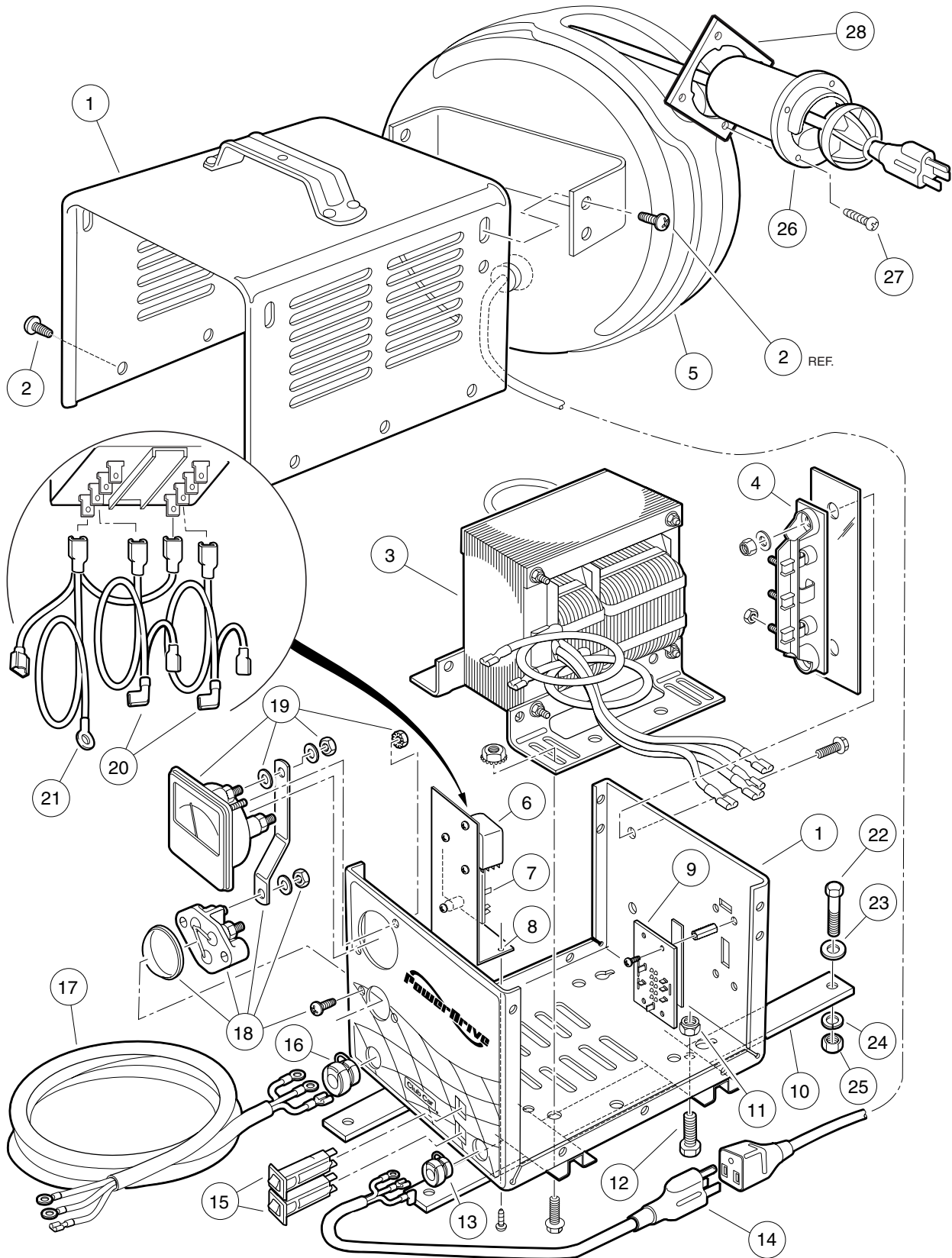
15

E

ITEM	PART NO.	DESCRIPTION	QTY
		1 2 3 4	
	101814301	Assembly, PowerDrive Battery Charger with Reel, Onboard 120 V AC 48 V DC 60 Hz (includes items 1 - 20)	1
	101802301	Assembly, PowerDrive Battery Charger, Onboard 120 V AC 48 V DC 60 Hz (includes items 1 - 2 and 4 - 20)	1
1	****	Assembly, Case	1
2	7577	Screw, Pan-Head, Self-Tapping, #10-16 x 1/2	12
3	1017187	Assembly, Retractable Cord Reel	1
4	1015914	Assembly, Heatsink, with Diodes (includes hardware)	1
5	101819701	Assembly, Transformer	1
6	101841701	Kit, Wire Assembly	1
7	101841901	Board, Control	1
8	101838701	Bracket, Relay and Reset Board Mounting	1
9	1011707	Bracket, Mounting	2
10	8233	Nut, Lock, 1/4-20	4
11	7847	Screw, Hex-Head Cap, 1/4-20 x 3/4	4
12	1015917	Bushing, Strain Relief, AC Cord	1
13	101829001	Cordset, AC, 24 Inches Long, with Grounded Plug	1
14	CCX8506	Breaker, Circuit, 15-Amp, 120-V AC	1
15	1012098	Bushing, Strain Relief, DC Cord, 12 AWG	1
16	101829101	Cordset, DC, 90 Inches Long, with Leads, 12 AWG	1
17	1012101	Assembly, Fuse (includes hardware)	1
18	101828501	Ammeter (includes hardware)	1
19	101828601	Relay, Power, 48 VDC	1
20	101914401	Assembly, AC Voltage Suppressor	1
21	7479	Screw, Hex-Head Cap, 1/4-20 x 1-1/4	4
22	1014306	Washer, Flat, 1/4	4
23	451	Washer, Lock, 1/4	4
24	1028	Nut, Hex, 1/4-20	4
25	1016673	Housing, Cord	1
26	8796	Screw, Phillips-Head, #7-19 x 3/4	4
27	101801001	Plate, Receptacle Backing	1
	1017189	Shrink, Heat (1-1/2 inch x 4 feet) (not shown)*	A/R
		*Heat shrink is available in 3-inch lengths, nonstandard.	
	****	Special order item available upon request.	

15

E



ONBOARD POWERDRIVE BATTERY CHARGER, EXPORT – TRANSPORTER 4 AND TRANSPORTER 6

ITEM	PART NO.	DESCRIPTION	QTY
		1 2 3 4	
	101814302	Assembly, PowerDrive Battery Charger and Reel, Onboard with 4-Position Switch, 100 - 200 - 220 - 240 V AC, 48 V DC 50/60 Hz (includes items 1 - 21)	1
	101831601	Assembly, PowerDrive Battery Charger, Onboard with 4-Position Switch, 100 - 200 - 220 - 240 V AC, 48 V DC 50/60 Hz (includes items 1 - 4 and 6 - 21)	1
1	****	Assembly, Case (includes fasteners)	1
2	7577	Screw, Pan-Head, Self-Tapping, #10-16 x 1/2	12
3	101838201	Assembly, Transformer	1
4	1015914	Assembly, Heatsink, with Diodes (includes mounting hardware)	1
5	1017187	Assembly, Retractable Cord Reel	1
6	101838301	Relay, Power (includes mounting hardware)	1
7	101841901	Board, Control	1
8	101838701	Bracket, Mounting, Relay and Reset Board	1
9	101838601	Switch, 4-Position, Slide	1
10	1011707	Bracket, Mounting	2
11	8233	Nut, Lock, 1/4-20	4
12	7847	Screw, Hex-Head Cap, 1/4-20 x 3/4	4
13	1015917	Bushing, Strain Relief, AC Cord	1
14	101829001	Cordset, AC, 3 x 1.5 mm x 24 Inches Long, with Grounded Plug	1
15	101838401	Breaker, Circuit, 10-Amp	2
16	1012098	Bushing, Strain Relief, DC Cord, 12 AWG	1
17	101829101	Cordset, DC, 90.5 Inches Long, with Leads, 12 AWG	1
18	1012101	Assembly, Fuse (includes hardware)	1
19	101828501	Ammeter (includes hardware)	1
20	101841801	Kit, Wire Assembly	1
21	101914401	Assembly, AC Voltage Suppressor	1
22	7479	Screw, Hex-Head Cap, 1/4-20 x 1-1/4	4
23	1014306	Washer, Flat, 1/4	4
24	451	Washer, Lock, 1/4	4
25	1028	Nut, Hex, 1/4-20	4
26	1016673	Housing, Cord	1
27	8796	Screw, Phillips-Head, #7-19 x 3/4	4
28	101801001	Plate, Receptacle Backing	1
	1017189	Shrink, Heat (1-1/2 inch x 4 feet) (not shown)*	A/R
		*Heat shrink is available in 3-inch lengths, nonstandard.	
	****	Special order item available upon request.	

15

E

15

E

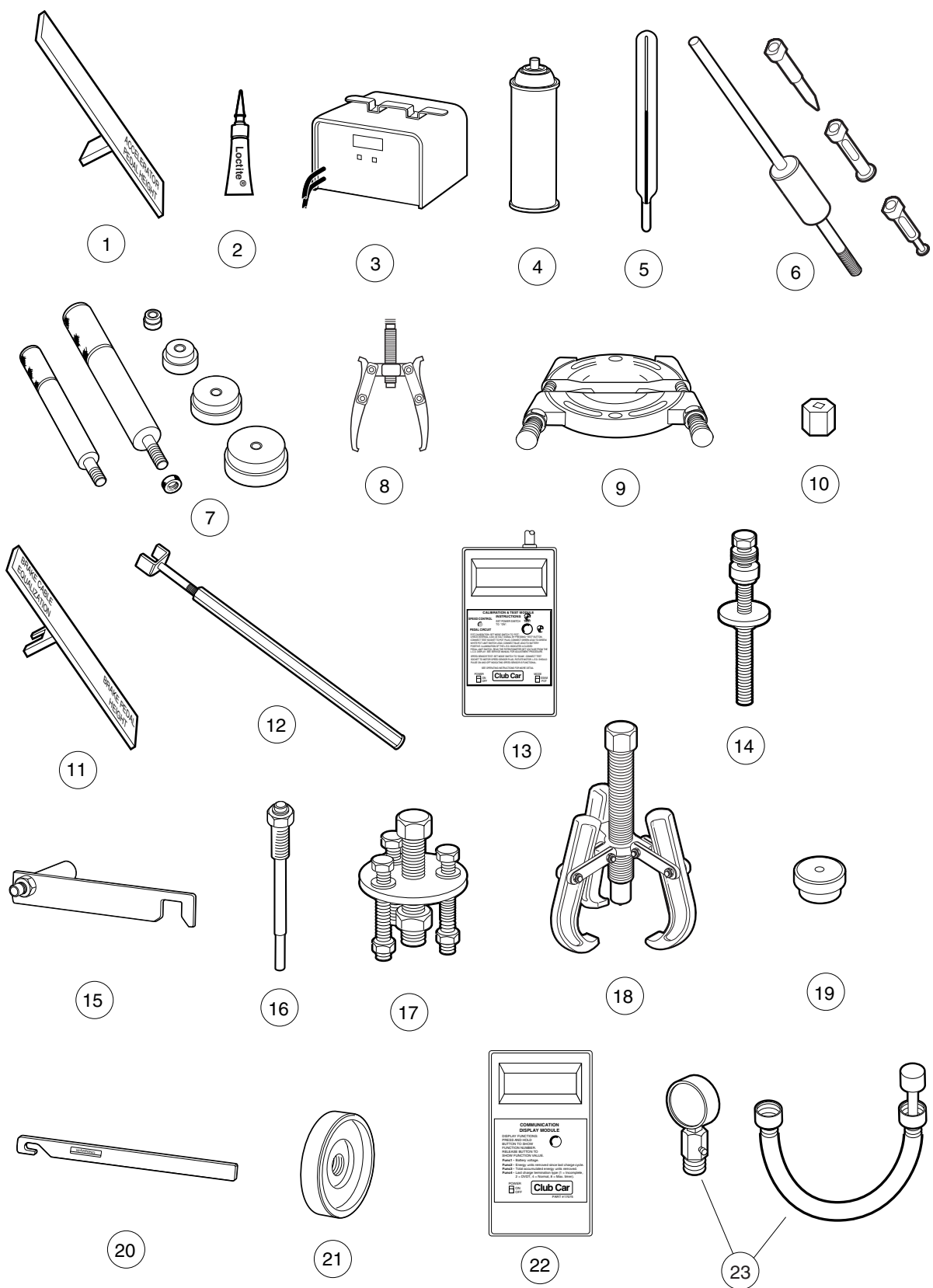
MAINTENANCE AND SERVICE TOOLS

16

G

E

**16
G
E**



MAINTENANCE AND SERVICE TOOLS

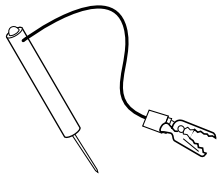
ITEM	PART NO.	DESCRIPTION	QTY GAS	QTY ELEC
		<p style="text-align: center;">1 2 3 4</p> <p>The following tool list includes all tools available from Club Car for maintenance and service procedures for gasoline and/or electric vehicles, both past and present models. Be sure to carefully examine the tool list for applicability to your vehicle before ordering.</p>		
1	101871001	Accelerator Pedal Adjustment Tool	1	1
2	101813202	Adhesive, Guide Ring, 3-Gram Tube	1	1
3	101831901	Battery Discharge Machine, 36/48 Volt		1
4	1014305	Battery Terminal Protector Spray	1	1
5	1011767	Battery Thermometer		1
6	1016417	Bearing and Oil Seal Remover Assembly	1	1
7	1016416	Bearing Driver Set	1	1
8	1012811	Bearing Puller	1	1
9	1012812	Bearing Puller Wedge Attachment	1	1
10	1013582	Brake Adjustment Tool (used only on vehicles with manually adjusted mechanical brakes)	1	1
	102249901	Brake Pedal Adjustment Tool Kit (used for the Carryall Electric Industrial Truck only) (includes items 11 and 12)		1
11	****	Brake Pedal Adjustment Tool		1
12	****	Brake Pedal Tension Tool		1
13	101887101	Calibration Test Module		1
14	101808401	Cam Installation Tool	1	
	1014510	Clutch Tool Kit (includes items 15 - 21)	1	
15	1014498	Clutch Alignment Tool (for pre-unitized transaxle vehicles built prior to 1997 model year)	1	
16	1014496	Drive Clutch Puller	1	
17	1014497	Drive Clutch Hub Puller	1	
18	1014508	Driven Clutch Cam Puller	1	
19	1014507	Driven Clutch Puller Plug	1	
20	1015524	Drive Clutch Holder Tool Assembly	1	
21	101809101	Press Weldment	1	
22	101831801	Communication Display Module		1
23	101641002	Compression Gauge and Adapter	1	
		<p>Please refer to the maintenance and service manual for proper tool application.</p> <p>**** Special order item available upon request</p>		

16
G
E

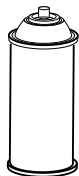
16

G

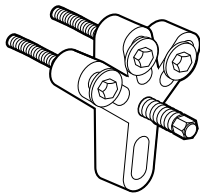
E



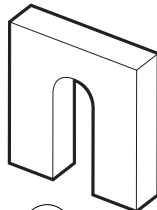
24



25



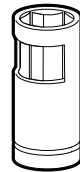
26



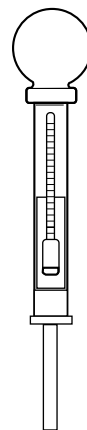
27



28



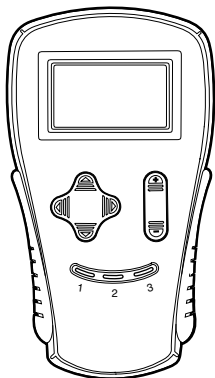
29



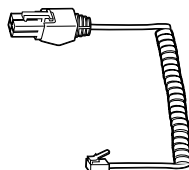
30



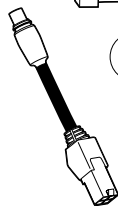
31



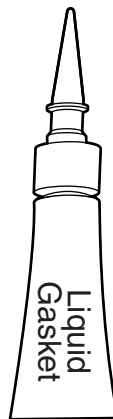
32



33



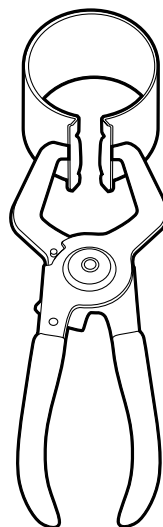
34



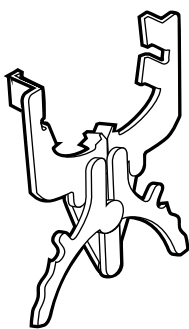
35



36



37



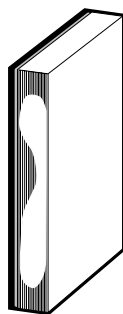
38



39



40



41



42



43



44



45

MAINTENANCE AND SERVICE TOOLS, CONTINUED

ITEM	PART NO.	DESCRIPTION	QTY GAS	QTY ELEC
		1 2 3 4		
24	1011273	Continuity Tester	1	1
25	1012151	Dry Moly Lubricant	1	1
26	1016627	Flywheel Puller Kit	1	
27	1016418	Gear Yoke	1	1
28	101933101	Governor Shaft Installation Tool	1	
29	102169401	Hydraulic Brake Adjuster (for vehicles equipped with hydraulic brakes)	1	
30	1011478	Hydrometer	1	1
31	1013593	Internal Retaining Ring Pliers	1	1
32	102248803	IQ Display Module (IQDM) Kit (for IQ System vehicles only)		1
		(includes items 33 and 34)		
33	102241502	Cable, IQDM		1
34	102251501	Adaptor, Cable		1
35	101928701	Liquid Gasket (transaxle case)	1	1
36	102243402	Moly-Teflon Lubricant (4-oz. (113-gram) tube)		1
37	1016414	Piston Ring Compressor Kit (FE290, FE350 and FE400 engines)	1	
38	1016415	Piston Ring Pliers	1	
39	1012549	Retaining Ring Pliers, 45° External	1	1
40	1012560	Retaining Ring Pliers, 90° Internal	1	1
41	101823101	Safety First Card (50 per pack)	1	1
42	1012809	Seal Puller	1	1
43	102330901	Spanner Wrench (for coil over shock front suspension vehicles only)	1	1
44	1014264	Steering Column Bearing Press Tool	1	1
45	1014259	Steering Column Retaining Ring Tool	1	1
		Please refer to the maintenance and service manual for proper tool application.		

16

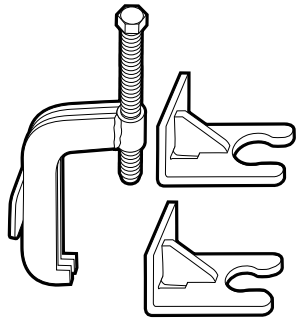
G

E

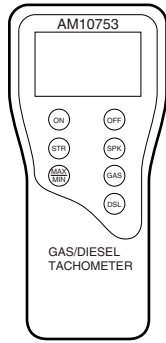
16

G

E



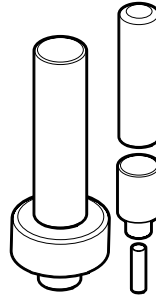
46



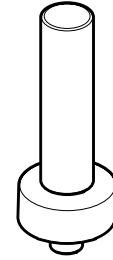
47



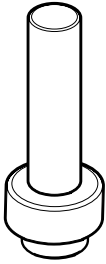
48



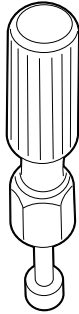
49



50



51



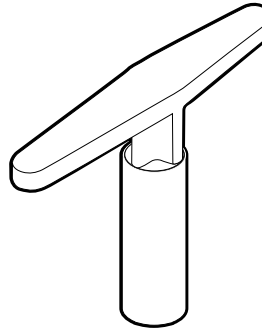
52



53



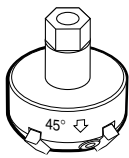
54



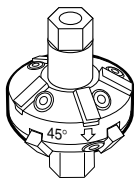
55



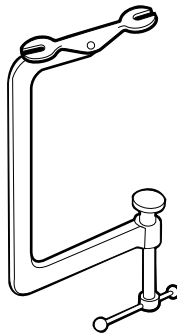
56



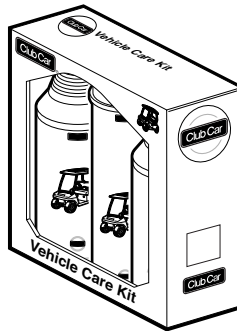
57



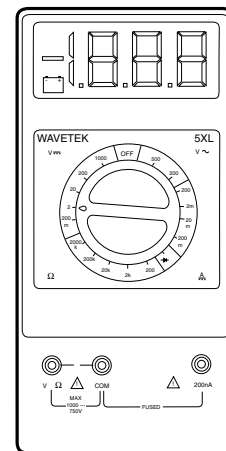
58



59



60



61

MAINTENANCE AND SERVICE TOOLS, CONTINUED

ITEM	PART NO.	DESCRIPTION	QTY GAS	QTY ELEC
		1 2 3 4		
46	102061201	Steering Wheel Puller Tool	1	1
47	AM10753	Tachometer	1	
48	101997201	Paint, Touch-Up – Beige	1	1
48	101997202	Paint, Touch-Up – White	1	1
48	101997203	Paint, Touch-Up – Red	1	1
48	101997204	Paint, Touch-Up – Gray	1	1
48	101997205	Paint, Touch-Up – Dark Gray	1	1
48	101997206	Paint, Touch-Up – Royal Blue (Pacific Blue)	1	1
48	101997207	Paint, Touch-Up – Black	1	1
48	101997209	Paint, Touch-Up – Dark Green	1	1
48	101997211	Paint, Touch-Up – Classic Blue (Navy)	1	1
48	101997212	Paint, Touch-Up – Burgundy	1	1
49	1014115	Transmission Tool Kit	1	
50	1014161	Transaxle Pinion Seal Tool	1	
51	1014162	Transaxle Axle Seal Tool	1	
52	1016413	Valve Clearance Adjuster Screw Holder (for FE290 engines only)	1	
53	101641201	Valve Guide Reamer	1	
54	101641202	Arbor	1	
55	1016551	Valve Seat Cutter T-Wrench	1	
56	1016552	Valve Seat Cutter Guide	1	
57	1016553	Valve Seat Cutter, 45° (32 mm diameter) (for FE290 engines only)	1	
58	1016554	Valve Seat Cutter, 45°/30° (35 mm diameter)	1	
59	101641101	Valve Spring Compressor	1	
60	AM10021	Vehicle Care Kit	1	1
61	1011480	Volt Ohm Meter	1	1
62	101611003	Tune-Up Kit, All OHV (includes air filter, spark plug, oil filter, fuel filters) (not shown)	1	
		Please refer to the maintenance and service manual for proper tool application.		

16

G

E

16

G

E

INDEX

Part Number and Page

AM10080	11-5	7591	6-23, 12-37	1010921	4-7, 4-9
AM10081	11-5	7602	5-5, 5-7, 5-11	1010927	4-7, 4-9
AM10682	2-3	7716	4-7, 4-9, 4-13, 4-15	1010932	4-7, 4-9
AM10021	16-7	7820	12-37	1010933	4-7, 4-9
AM10419	10-5	7840	5-9	1010934	1-25, 6-29, 13-3, 13-5
AM10724	7-5, 7-17	7847	1-5, 9-3, 9-5	1010954	6-3, 6-7, 6-15, 11-3
AM10753	16-7	7893	6-7, 12-37	1010984	2-3, 2-5, 5-9, 5-13
CCX8506	15-3, 15-5, 15-11	7910	5-9	1011014	1-3
183	8-13, 10-3, 12-45	7973	1-5, 6-3, 8-15	1011017	1-3
304	1-7, 1-23, 1-33, 12-37	8028	1-11, 1-23	1011019	1-5
320	5-11	8049	12-13	1011084	4-13
332	1-7, 1-9, 1-21, 1-23, 1-33, 8-13, 9-3, 9-5, 12-21, 12-37, 12-41	8056	12-5, 12-47	1011114	4-5, 4-11
334	4-13, 4-15, 5-3, 5-5	8057	6-3, 12-5, 12-13	1011137	4-11
357	5-9	8058	6-3, 12-5, 12-13	1011182	1-11
451	1-21, 1-23, 4-5, 9-3, 9-5, 12-5, 12-13, 13-3, 13-5	8067	5-9, 5-13	1011210	1-11, 1-23
705	6-27	8168	8-15	1011219	1-11, 1-23
706	5-9	8233	1-7, 1-21, 1-33, 4-13, 4-15, 8-3, 12-13, 12-21, 12-37	1011220	1-11, 1-23
1016	12-45	8248	1-7, 8-3, 12-21	1011221	1-11, 1-23
1017	12-5, 12-45	8251	1-7, 1-23	1011222	1-11, 1-23
1028	4-7, 4-9, 12-5, 12-13	8304	1-11, 1-23	1011229	6-9, 6-17, 12-27, 12-37
1032	4-7, 4-9	8449	12-5	1011273	16-5
1035	4-3, 5-5, 5-7, 5-11	8450	6-15, 10-3, 12-13	1011280	6-19, 12-39
1218	1-21, 1-23, 12-17, 12-41	8455	6-3	1011290	13-3
1241	1-21, 1-23, 4-7, 4-9, 4-13, 4-15, 6-19, 6-27, 6-29, 9-3, 12-17, 12-39, 12-41	8626	4-7, 4-9	1011291	11-7
1242	4-7, 4-9, 6-7, 6-27, 12-17, 12-25, 12-41	8639	6-17, 12-25, 12-37, 12-41	1011303	4-5, 4-11
1308	5-7, 5-11	8717	6-3	1011304	5-9, 5-13
1606	8-13	8745	5-9, 5-13	1011382	1-5
1620	1-5	8754	4-13, 4-15, 5-3, 5-5, 5-7, 5-9, 5-11, 5-17, 6-27	1011389	1-11, 1-23
1624	4-13, 4-15, 5-5	8755	5-9	1011393	5-9, 5-13
1631	8-15	8861	5-7, 5-11	1011394	1-3
2402	5-7, 5-11	8990	5-5, 12-3, 12-5, 12-21, 12-27, 12-43	1011402	4-7, 4-9
4029	6-17, 12-37	8251	1-11	1011411	13-3, 13-5
4034	6-19, 12-39	1010005	5-9, 5-13	1011415	5-15, 5-17
7048	5-9, 5-13	1010124	5-7, 5-11	1011418	4-7, 4-9
7173	6-19, 6-27, 6-29, 12-17, 12-39, 12-41	1010138	5-7, 5-11	1011439	6-19, 12-39
7174	4-11, 5-3, 6-27, 8-11, 9-3, 9-5, 12-17, 12-25, 12-41, 13-3, 13-5	1010145	5-15, 5-17	101146302	4-5, 4-11
7251	1-3	1010150	5-9, 5-13	1011464	4-5, 4-11
7310	2-3, 2-5	1010177	5-9, 5-13	1011465	4-5, 4-11
7330	11-7, 14-3	1010219	5-7, 5-11	1011466	4-3, 4-5, 4-11
7335	11-5, 14-3	1010434	1-3, 1-9, 1-13, 1-15, 1-17, 1-25, 1-27, 1-31	1011467	4-5, 4-11
7336	14-3	1010435	1-3, 1-13, 1-31, 1-35	1011478	16-5
7473	1-3, 1-13, 1-21, 1-23, 4-7, 4-9, 4-13, 4-15, 6-19, 6-27, 6-29, 12-5, 12-39	1010543	1-9, 1-11, 1-19, 1-23, 1-25, 1-27, 1-29	1011480	16-7
7479	1-7	1010545	1-29	1011497	6-21, 12-47
7532	1-35	1010695	1-11, 1-23	1011498	6-21, 12-47
7539	5-7, 5-11	1010805	4-7, 4-9	1011557	6-19, 6-21, 12-39, 12-47
7540	5-5, 5-7, 5-11	1010829	4-3, 4-5, 4-9, 4-11	1011558	6-21, 6-23, 12-17, 12-47
7555	5-5, 5-7, 5-11	1010850	4-3, 4-5, 4-11	1011571	6-21, 12-47
7569	5-15, 5-17	1010877	4-7, 4-9	1011578	1-11, 1-23, 5-3, 12-15, 12-23, 12-47, 12-57
7577	15-3, 15-5, 15-7, 15-9, 15-13	1010878	1-35, 4-7, 4-9	1011582	6-21, 6-23, 12-47, 12-57
		101090801	12-15, 12-23, 12-47, 12-57	1011610	6-21, 12-47
		101090802	12-47, 12-57	1011622	6-23
		1010909	6-17	1011652	1-9, 1-19, 1-29
				1011694	4-13, 4-15
				1011697	1-33, 5-3, 7-27, 8-9, 8-11, 9-5
				1011700	4-13

INDEX

1011707	15-11, 15-13	1012811	16-3	1013773	11-7
1011734	4-13	1012812	16-3	1013774	11-7
1011767	16-3	1012830	6-27, 9-3, 9-5	1013787	11-7
1011779	4-3, 4-5, 4-7, 4-9, 4-11	1012903	12-5	1013790	11-7
1011825	6-17, 12-37	1012981	7-5, 7-17	1013791	11-7
1011843	6-21, 12-47	1012986	6-19	1013794	11-7, 14-3
101187702	4-7, 4-9, 4-13, 4-15	1012987	6-3, 12-13	1013857	6-19, 12-39
1011887	5-9, 5-13	1013001	6-25	1013860	12-5
1011892	5-9, 5-13	1013003	6-25	1013861	5-3
1011930	5-5, 5-7, 5-11	1013005	6-25	1013869	4-7, 4-9
1011988	1-13, 1-31, 8-3	101301102	6-25	1013870	4-7, 4-9
1011990	1-29, 1-35	1013032	1-7, 1-17	1013871	4-13, 4-15
1012030	5-9, 5-13	1013035	5-5	1013872	1-35
1012098	15-3, 15-5, 15-7, 15-9, 15-11	1013042	5-5	1013876	4-7, 4-9
1012101	15-3, 15-7, 15-9, 15-11, 15-13	1013044	5-5	1013886	12-5
1012151	16-5	1013051	5-5	1013887	12-5
1012159	1-7	1013052	5-5	1013924	4-3, 4-5, 4-11, 7-27
1012164	7-27	1013061	1-29, 12-5, 12-15, 12-23, 12-45	1013998	12-5
1012181	5-15	1013135	5-9, 5-13	1014000	12-5
1012182	5-15	1013164	5-15	1014003	12-5
1012285	1-21, 1-33, 6-3, 8-3, 8-11, 12-17, 12-25, 12-41, 12-43	1013169	1-29	1014007	1-23, 4-13, 4-15
1012295	6-7, 6-15	1013207	4-3, 4-5, 5-15, 5-17	1014010	12-5
1012303	1-35, 5-9, 5-13, 5-15, 5-17	1013309	1-25, 1-27, 1-29	1014017	12-5
1012304	5-15, 5-17	1013311	1-25, 1-27	1014019	12-5
1012328	6-29	1013312	1-19, 1-25, 1-27, 1-29	1014049	10-3
1012333	6-3	1013335	1-11	1014050	10-3
1012353	12-5	1013343	1-5	1014051	10-3
1012382	6-5, 6-13	1013344	1-5	1014052	10-3
1012412	1-7, 1-15, 1-17	1013357	1-17, 1-29, 1-35, 6-17, 12-37, 12-45	1014055	10-3
1012431	6-3, 6-15, 6-21	1013461	6-17, 12-5, 12-37	1014056	10-3
1012438	8-15, 12-45	101347501	1-3	1014057	10-3
1012467	5-5	101347503	1-3	1014058	10-3
1012505	6-9, 6-19, 12-3, 12-39	101347505	1-13, 1-31	1014059	10-3
1012528	9-3, 9-5, 12-17, 12-25, 12-41	1013494	1-5	1014062	10-3
1012549	16-5	1013531	4-7, 4-9	1014065	6-3
1012560	16-5	1013582	16-3	1014070	10-5
1012565	5-3	1013587	6-3	1014072	10-5
1012566	5-3	1013589	6-3, 6-7, 6-15	1014078	10-5
1012571	7-27	1013590	6-3	1014080	10-5
1012581	1-15	1013591	6-3	1014089	6-3
1012594	6-3	1013593	16-5	1014109	12-5
1012597	1-19	1013609	6-7, 6-15	1014115	16-7
1012604	5-3	1013677	3-5, 3-9, 3-11, 3-15	1014116	8-3
1012605	5-3	1013683	12-15, 12-23	1014119	6-5, 6-13
1012649	8-3	1013687	8-3	1014125	5-3
1012656	1-19	1013692	8-3	1014126	5-3
1012657	1-19	1013700	8-11	1014145	6-3, 6-7, 6-15
1012711	11-3	1013734	9-3, 9-5, 12-25	1014153	4-3, 4-5, 4-11
1012714	11-5	1013746	8-3, 8-9	1014161	16-7
1012740	11-5	1013759	11-3	1014162	16-7
1012741	11-5	1013768	11-7	1014189	12-5
1012747	11-5	1013769	11-7	1014193	11-7
1012748	11-5	1013770	11-7	1014198	1-3
1012752	11-3	1013771	11-7	1014201	13-3, 13-5
1012809	16-5	1013772	11-7	1014207	11-7
				1014213	5-3

INDEX

1014214	5-3	1015139	8-3, 8-15	101570506	2-3, 2-5
1014216	5-3	1015143	8-3	101570507	2-3, 2-5
1014217	5-3	1015188	8-3	101570509	2-3, 2-5
1014236	5-15	101524002	6-27	101570512	2-3
1014253	12-5	1015330	9-3	101570513	2-3
1014259	16-5	1015332	6-5, 6-13, 7-3, 7-15	101570514	2-5
1014264	16-5	1015345	6-7, 6-15	1015707	2-3, 2-5
1014276	5-9, 5-13	1015356	1-35	1015720	6-9, 6-23
1014287	10-3	1015371	6-7	1015737	6-5, 6-7, 6-13, 6-15
1014288	5-3, 6-29, 12-17, 12-25	1015372	6-7, 6-15	1015741	6-7, 6-15, 12-45
1014289	6-25	1015373	6-7, 6-15	1015752	6-7, 6-15, 6-23, 8-13, 8-15, 12-9, 12-57
1014304	12-15, 12-23, 12-47, 12-57	1015399	1-35	1015760	5-19
1014305	16-3	1015405	6-7, 6-15	1015769	6-5, 6-13
1014306	1-7, 1-21, 1-33	1015408	8-11	1015777	6-7
1014321	1-25, 1-27, 1-29	1015426	8-13, 8-15	1015814	9-3, 9-5
1014374	6-29	1015453	5-19	1015845	8-11
1014375	6-29	1015457	5-19	101584502	8-11
1014387	1-25, 1-27, 1-29	101547601	3-5, 3-9, 3-11, 3-15	1015878	6-7, 6-15
1014392	1-9, 1-17	1015507	1-35	1015914	15-3, 15-7, 15-9, 15-11, 15-13
1014413	8-11	1015524	16-3	1015917	15-3, 15-7, 15-11, 15-13
1014414	12-5	1015525	1-7, 1-17	1015920	6-5, 6-27
1014453	10-3	1015530	1-33	1015932	6-27
1014454	10-5	1015539	1-37	1015969	7-3, 7-15
1014471	1-35	101553901	3-17	1016004	8-3
1014496	16-3	1015545	5-3	1016074	6-27
1014497	16-3	1015583	1-35, 5-9, 5-13, 5-15, 5-17	1016077	1-37
1014498	16-3	1015597	5-5, 5-7, 5-9, 5-11, 5-13	101609401	3-17
1014507	16-3	1015613	5-19	101610901	3-5, 12-5
1014508	16-3	1015614	5-19	101611003	16-7
1014510	16-3	101562602	1-11	1016154	5-3
1014523	8-3	101562604	1-11	1016156	5-3
1014524	8-3	101562605	1-11	1016175	12-5
1014528	12-13	101562701	1-19	1016181	5-3
101454602	5-15	101562702	1-11, 1-19, 1-23, 1-25, 1-27, 1-29	1016183	5-3
101454902	5-15	101562704	1-11, 1-19, 1-23, 1-25, 1-27, 1-29	1016202	8-11
1014555	5-15, 5-17	101562710	1-11, 1-19, 1-23, 1-25, 1-27, 1-29	1016203	10-3, 10-5
1014573	5-15	101564502	1-25, 1-27	1016214	5-3
1014645	1-5	101564503	1-25, 1-27	101621601	3-3, 3-7, 3-13
1014675	5-15	101564505	1-25, 1-27	1016219	5-3
1014727	6-3	101564804	1-23	1016289	10-3
1014771	2-3, 2-5	101564805	1-11, 1-23	1016337	11-5
1014807	6-3, 6-7, 6-15, 12-5	101564807	1-11, 1-23	1016338	11-5
1014808	6-7, 12-13	101564808	1-11, 1-23	1016341	11-3
1014856	12-7	1015649	7-3, 7-15	1016342	6-3
1014871	12-13	101565202	1-11	1016346	5-7, 5-11
1014901	5-15	101565205	1-11	1016349	5-7, 5-11
1014902	5-15, 5-17	101565206	1-11	1016350	5-7, 5-11
1014928	8-3	1015654	1-37	1016353	5-7, 5-11
1014947	12-17, 12-25, 12-41	1015656	1-37	1016356	6-17, 12-37, 12-45
1014948	6-15, 12-17, 12-41	1015660	1-37	1016363	12-45
1014999	12-5	1015661	4-15	1016366	12-45
1015032	1-5	101567202	2-3	1016379	1-33
1015064	6-3, 12-13	101570502	2-3	1016380	6-13
1015072	12-15, 12-23, 12-47, 12-57			1016384	5-9, 5-13
1015091	1-11, 1-23				
1015137	8-3, 8-9				

INDEX

1016385	5-7, 5-11	1016467	7-7, 7-19	1016542	7-9
1016386	5-9, 5-13	1016469	7-13	1016544	7-5, 7-9, 7-11, 7-17, 7-21, 7-23
1016387	5-9, 5-13	1016470	7-13, 7-25	1016545	7-9, 12-17, 12-41
1016389	5-9, 5-13	1016471	7-9	1016546	8-11
101641002	16-3	1016472	7-11, 7-23	1016547	7-3, 7-13, 7-15, 7-25, 8-9
101641101	16-7	1016473	7-7, 7-19	1016548	7-5
101641201	16-7	1016474	7-9, 7-21	1016549	7-9, 7-21
101641202	16-7	101647501	7-13	101655001	7-13
1016413	16-7	101647502	7-13	101655002	7-13
1016414	16-5	1016479	7-9, 7-21	101655003	7-13
1016415	16-5	1016480	8-9	101655004	7-13
1016416	16-3	101648102	8-9	101655005	7-13
1016417	16-3	101648203	7-7, 7-19	101655006	7-13
1016418	16-5	1016483	7-9, 7-21	101655007	7-13
1016423	6-15, 12-45	1016484	7-7	101655008	7-13
101642572	8-5	1016486	8-5, 8-7	101655009	7-13
101642575	8-5, 8-7	1016489	7-9, 7-21	1016551	16-7
101642578	8-5, 8-7	101649002	8-9	1016552	16-7
101642580	8-5, 8-7	1016493	7-5	1016553	16-7
101642582	8-5, 8-7	1016494	7-11, 7-23	1016554	16-7
101642585	8-7	1016496	7-11, 7-23	1016557	4-5, 4-11
1016429	7-7, 7-19	1016497	7-5, 7-17	1016558	7-13
1016430	7-9	1016499	8-5, 8-7	1016559	7-13
1016431	7-9	1016501	8-5, 8-7	1016560	7-9, 7-21
1016432	7-7, 7-19, 11-3	1016502	7-7, 7-19	1016561	7-5, 7-17
1016435	7-7	1016505	7-5	1016562	7-5, 7-13, 7-17, 7-25
1016436	7-9, 7-21	1016506	7-11, 7-23	1016563	7-9, 7-21
1016437	8-5, 8-7	1016507	7-3, 7-15	1016564	7-11, 7-23
1016438	8-9	1016509	7-13	1016565	7-11
1016439	8-9	1016510	7-11, 7-23	1016566	7-9, 7-21
1016440	8-9	101651402	2-3	1016567	7-11
1016441	8-9	101651406	2-3, 2-5	1016568	7-13
1016442	7-9, 7-21	101651407	2-3, 2-5	1016569	7-9, 7-21
1016443	7-3	101651409	2-3, 2-5	1016570	7-7, 7-19
1016444	8-9	101651412	2-3	1016571	7-13, 7-25
1016445	7-5, 7-17	101651413	2-3	1016572	8-9
1016446	7-11	101651414	2-5	1016573	4-5, 4-11
1016447	7-9	1016516	7-13	1016576	7-7, 7-19
1016448	7-9	1016517	7-9, 7-21	1016578	7-5, 7-17
1016449	7-9, 7-21	1016518	7-21	1016579	7-5, 7-17
1016450	7-9, 7-21	1016519	7-9, 7-21	1016580	7-13
1016451	7-9	1016520	7-11	1016581	7-7, 7-19
1016452	7-9, 7-21	1016521	7-11, 7-23	1016582	8-9
1016453	7-11	1016523	7-9	1016583	7-9, 7-21
1016454	7-11, 7-23	1016524	7-3	1016584	7-11, 7-23
1016455	7-5, 7-17	1016525	7-3	1016585	8-5, 8-7
1016456	7-3, 7-5, 7-11, 7-15, 7-17	1016526	7-3	1016586	7-5, 7-17
1016457	7-7, 7-19	1016531	7-3, 7-15	1016587	7-5, 7-17
1016458	7-9, 7-11, 7-21	1016532	7-13	1016588	7-5, 7-17
101645901	7-13	1016533	7-13	101660404	1-5
101645902	7-13	1016535	7-11, 7-23	1016622	5-3
101645903	7-13	1016536	7-3	1016627	16-5
1016460	7-13	1016537	7-7, 7-19	1016630	6-9, 6-19
101646101	7-13	1016538	7-11, 7-23	1016631	12-45
101646102	7-13	1016539	7-3, 7-15	1016663	5-3
101646103	7-13	1016541	7-13, 7-25	1016668	1-13, 1-31

INDEX

1016670	1-25	1016916	1-9, 1-23	101708301	1-5
1016672	11-7	101692501	1-3	1017141	1-7, 1-17
1016673	1-25, 15-11, 15-13	101692502	1-3	1017187	15-11, 15-13
1016679	1-33	101692504	1-3	1017188	10-3, 10-5
101668201	12-47, 12-57	101692506	1-3	1017189	15-11, 15-13
1016698	12-31, 12-35, 12-51, 12-55	101692509	1-3	1017203	8-3
101670201	1-3	101692510	1-3	1017211	4-9
1016711	1-3	101692511	1-3	1017221	7-3
1016717	6-23, 12-57	101692512	1-3	1017226	5-3
1016718	1-5	101692513	1-3	1017231	11-3
1016723	1-25, 1-27	101692514	1-3	1017232	4-11
1016724	1-35	101692515	1-3	1017235	5-15
101672701	6-3	101692602	1-7	1017238	6-15
101672702	6-3	101692604	1-7	1017239	6-15
1016729	12-31, 12-35, 12-51, 12-55	101692606	1-7	1017243	6-15
1016732	12-31, 12-35, 12-51, 12-55	101692609	1-7	1017259	1-21
101674702	4-13	101692610	1-7	1017266	5-7, 5-11
101674704	4-13	101692611	1-7	1017273	5-3
1016751	1-21, 1-23, 1-25, 1-27, 1-29	101692612	1-7	101728201	1-19
101675501	1-21, 1-23	101692613	1-7	101728202	1-19
101675502	1-21, 1-23, 1-25, 1-27, 1-29	1016930	1-29	101728203	1-19
101675504	1-21, 1-23, 1-25, 1-27, 1-29	101693201	3-7, 3-13	101728204	1-19
101675505	1-29	101693301	1-7	101728210	1-19
101675506	1-21, 1-23, 1-25, 1-27	101693302	1-7	101728211	1-19
101677701	1-21, 1-23, 1-25, 1-27, 1-29	101693304	1-7	101728213	1-19
101677702	1-21, 1-23, 1-25, 1-27, 1-29	101693306	1-7	101728214	1-19
101677703	1-21, 1-23	101693309	1-7	101728701	1-17
101677705	1-21, 1-23, 1-25, 1-27, 1-29	101693310	1-7	101728702	1-17
1016801	10-3	101693311	1-7	101728704	1-17
1016813	5-19	101693312	1-7	101728706	1-17
1016814	5-19	101693313	1-7	101728708	1-17
1016816	1-29	101693901	1-3	101728709	1-17
1016819	1-29	101693902	1-3	101728710	1-17
1016824	1-29	101693904	1-3	101728711	1-17
1016838	1-31	101693906	1-3	101728712	1-17
1016839	1-27, 1-29	101693908	1-3	1017289	1-5
101684102	1-29	101693909	1-3	1017310	1-21
101684103	1-29	101693910	1-3	1017313	5-3
101684105	1-29	101693911	1-3	1017314	5-3
1016842	1-13, 1-31	101693912	1-3	1017315	5-3
1016843	1-31	101693913	1-3	101731601	1-15
1016845	12-13	101693914	1-3	101731602	1-15
1016849	6-9, 6-17, 6-23, 12-3, 12-37, 12-57	1016947	6-3	101731604	1-15
1016851	6-9, 6-17, 6-21, 6-23, 12-3, 12-37, 12-47, 12-57	1016952	1-5	101731606	1-15
1016859	6-9, 6-17, 6-21, 6-23, 12-3, 12-37, 12-47, 12-57	1016967	1-3	101731608	1-15
1016868	1-3	1016970	1-25	101731609	1-15
1016875	1-33	1016997	6-15	101731610	1-15
1016876	1-33	1017029	4-7, 4-9	101731611	1-15
1016879	6-17, 12-37	1017035	6-21, 12-47	101731612	1-15
1016880	6-17, 12-37	101705701	3-3, 3-7, 3-11, 3-17	1017317	5-3
1016883	6-27	1017062	6-17, 12-37	1017327	10-5
1016901	10-3	1017064	6-17, 12-37	1017328	10-3
1016904	9-5	1017065	6-17, 12-37	101737002	2-3, 2-5
		101707801	3-17	1017378	4-13, 4-15
		1017079	1-33	1017380	4-13, 4-15
		1017080	1-3	101738301	10-3

INDEX

1017384	1-19	101769302	2-3, 2-5	101797801	12-15, 12-23, 12-47, 12-57
101739201	12-27	1017695	1-19	101799201	1-21
1017400	4-15	1017696	4-13, 4-15	101801001	1-25, 12-15, 12-23, 12-45, 15-11, 15-13
1017424	4-13, 4-15, 12-27	1017699	6-21, 12-47	101802101	12-15, 12-23, 12-45
1017434	7-21	1017705	12-15, 12-23, 12-45	101802201	15-3
1017435	7-21	1017721	6-17	101802202	15-3
1017442	7-19	101773301	7-25	101802203	15-3
1017443	7-23	101773302	7-25	101802204	15-5
1017444	7-21	101773303	7-25	101802205	15-5
1017445	7-21	101773304	7-25	101802206	15-5
1017446	7-21	101773305	7-25	101802401	12-43
1017447	7-23	101773306	7-25	101804201	4-15
1017448	7-5, 7-17	101773307	7-25	101804301	4-15, 8-13, 8-15, 12-27
101744901	7-25	101773308	7-25	101805701	8-13
101744902	7-25	101773309	7-25	101806901	1-17
1017450	7-25	101773310	7-25	101808401	16-3
101745101	7-25	101773311	7-25	101809001	12-27
101745102	7-25	1017743	4-15, 12-27	101809101	16-3
1017453	7-25	1017748	1-7, 1-17	101810801	12-43
1017454	7-21	1017774	1-11, 1-21, 1-23	101811301	8-15
1017455	7-5, 7-17	1017799	12-13	101811401	8-13
1017456	7-7, 7-19	1017814	1-7	101811501	8-13
101745701	7-25	1017815	1-7	101811901	8-13, 8-15
101745702	7-25	1017830	12-27	101812301	8-13, 8-15
1017458	7-19	1017853	6-17, 12-27, 12-37	101813001	8-13, 8-15
1017460	7-19	101788201	1-15	101813202	16-3
1017461	8-5, 8-7	101788202	1-15	101814201	12-39
1017463	7-17	101788204	1-15	101814301	15-11
1017466	8-9	101788206	1-15	101814302	15-13
1017471	7-25	101788208	1-15	101814701	12-39
1017472	7-23	101788209	1-15	101815501	4-3
1017473	7-21	101788210	1-15	101815502	4-3
1017474	7-15	101788211	1-15	101816301	4-3
1017475	7-15	101788212	1-15	101816501	4-3
1017476	7-15	101791101	4-3, 4-5	101816502	4-3
1017486	7-15	101791901	1-3	101817401	4-13, 4-15
1017487	7-23	1017936	1-7, 1-17	101818801	4-13
1017490	7-17	1017944	13-3, 13-5	101819701	15-3, 15-11
1017500	7-15	1017946	13-3	101820201	8-9
1017501	7-25	1017947	13-3, 13-5	101821501	8-13, 8-15
1017502	7-25	1017948	13-3, 13-5	101822601	12-27
1017503	7-25	1017949	13-3, 13-5	101823101	16-5
1017504	7-23	1017950	13-3, 13-5	101823201	4-3
1017507	7-7, 7-19	1017951	13-3	101823301	4-3
1017508	7-23	1017953	13-3, 13-5	101823302	4-3
1017510	7-25	101795701	12-7, 12-11, 12-15, 12-19, 12-23, 12-31, 12-35, 12-47, 12-51, 12-55, 12-57	101823801	4-3
1017511	7-23	1017958	13-3	101823901	4-3
1017513	7-23	1017961	13-3	101824001	4-3
1017514	7-23	101796201	4-13, 4-15	101824002	4-3
101751801	7-23	101796501	12-15, 12-23, 12-45	101824401	8-3
101751802	7-23	101796801	12-15, 12-23, 12-45	101825101	3-3, 3-7, 3-13
101751803	7-23	1017976	1-35	101825102	3-7, 3-13
101753005	12-13	101797701	12-15, 12-23, 12-47, 12-57	101825701	8-15
1017653	6-25	101797702	12-15, 12-23, 12-47, 12-57	101826201	12-3, 12-39
1017686	10-5			101826301	6-9
1017689	9-3, 9-5				

INDEX

101826401	6-19	101838201	15-7, 15-13	101877001	5-9, 5-13
101827101	7-27	101838301	15-7, 15-13	101877601	6-25
101827801	12-17, 12-25	101838401	15-7, 15-9, 15-13	101877701	6-25
101827802	12-43	101838501	15-7	101878101	6-25
101828301	15-3	101838601	15-7, 15-9, 15-13	101878201	4-7, 4-9
101828501	15-3, 15-7, 15-11, 15-13	101838701	15-7, 15-11, 15-13	101878302	5-5
101828601	12-37, 15-3, 15-5, 15-11	101840203	12-17, 12-41	101879001	6-25
101828801	15-3, 15-5	101840901	1-13	101879401	5-5
101828802	15-3, 15-5	101841101	1-13	101879501	5-5
101828901	15-3, 15-7, 15-9	101841201	1-13	101879601	5-5
101828902	15-3, 15-7, 15-9	101841202	1-13	101879701	5-5
101828903	15-3, 15-7	101841301	1-13	101879801	5-5
101828904	15-5	101841701	15-11	101879901	5-5
101828905	15-5	101841801	15-13	101880001	5-5
101828906	15-5	101841901	15-11, 15-13	101880101	5-5
101829001	15-11, 15-13	101846301	1-31	101880201	5-5
101829101	15-11, 15-13	101850301	8-13	101880301	5-5
101830601	6-9, 6-19, 12-3, 12-39	101851101	6-9, 6-19, 12-39	101880901	1-19, 1-29
101830701	6-9, 6-19, 12-3, 12-39	101855002	12-21	101881101	7-5, 7-17
101831101	15-3	101855801	6-3	101881701	1-19, 1-29, 8-13, 8-15
101831503	15-7	101855901	7-27	101883002	12-7, 12-11, 12-31, 12-35, 12-51, 12-55
101831504	15-7	101856001	12-21	101884801	7-27
101831701	15-7	101856101	12-21	101884901	2-3, 2-5
101831702	15-7	101856102	6-7, 6-15	101887101	16-3
101831801	16-3	101856201	8-13	101887601	7-3, 7-15, 8-9
101831901	16-3	101859301	9-3	101887901	12-25
101832001	12-15, 12-23, 12-45	101859401	9-5	101888501	1-25, 1-27
101832101	7-27	101861901	4-13, 4-15, 12-27	101888502	1-25
101832201	8-11	101862001	4-13, 4-15	101889401	11-5
101832202	8-11	101865106	12-31, 12-35, 12-51, 12-55	101889901	11-5
101832301	8-11	101865301	4-9	101890001	11-5
101832302	8-11	101869001	4-11	101890101	11-3
101832401	8-11	101869302	6-25	101890201	11-3
101832402	8-11	101870401	1-3	101890601	11-3
101832501	8-11	101870501	5-7, 5-11	101890901	11-7
101832601	7-27	101870601	5-7, 5-11	101891001	11-7
101832701	7-27	101871001	16-3	101891301	11-3
101832901	7-27	101871901	4-13	101891401	11-7
101833001	7-27	101872701	4-11	101891501	11-7
101833101	7-27	101874601	4-9, 4-11	101891601	11-5
101833201	7-27	101874901	6-25	101891901	11-5
101833301	7-27	101875001	6-25	101892001	11-5
101833401	10-5	101875101	6-25	101892201	11-5
101833601	11-3	101875201	6-25	101892301	11-5
101833701	6-25, 6-27	101875301	6-25	101892401	11-5
101833902	10-3	101875401	6-25	101892501	11-5
101833904	10-3	101875501	6-25	101892601	11-5
101834001	10-5	101875601	6-25	101892701	11-7
101834502	6-9, 6-19, 12-3, 12-39	101875701	6-25	101893201	11-5
101834601	7-27	101875802	6-25	101894303	1-25, 1-27
101834801	11-3	101876001	6-25	101894901	12-15, 12-23, 12-43, 12-45
101835601	1-25, 1-27, 12-43	101876202	6-25	101895101	12-27
101836201	10-5	101876301	6-25	101895401	14-3
101837001	1-17, 1-29, 1-35	101876402	6-25	101895501	14-3
101837101	8-13, 8-15	101876501	6-25	101895601	14-3
101837301	6-5, 6-13, 6-27	101876901	5-9, 5-13		

INDEX

101895701	14-3	101911003	12-7	101929501	8-3
101895801	14-3	101911101	12-7, 12-11	101929801	10-3
101895901	14-3	101911601	12-31, 12-35, 12-51, 12-55	101930801	12-31, 12-35, 12-51, 12-55
101896001	14-3	101911701	12-41	101931501	3-5, 3-15
101896501	6-25	101912401	4-13	101931601	12-43
101896901	8-3	101914401	6-13, 6-17, 12-31, 12-35, 12-37, 12-51, 12-55, 15-3, 15-7, 15-11, 15-13	101932001	12-5
101897001	14-3	101915201	3-5, 3-9, 3-11, 3-17	101932201	6-19, 12-39
101897201	14-3	101915401	7-11	101932401	12-21
101897401	14-3	101915501	7-13	101932501	12-21
101897601	14-3	101915601	7-3	101932601	12-25
101897901	14-3	101915701	7-5	101932701	12-25
101898001	6-29	101915801	7-5	101932801	12-5
101900801	4-3, 5-15	101915901	7-23	101933101	16-5
101900901	6-9	101916001	7-25	101935301	5-11
101901201	12-7, 12-11	101916101	7-15	101935501	12-3, 12-39
101901301	12-7, 12-11	101916201	7-17	101936801	12-9, 12-35, 12-55
101901401	12-7, 12-11	101916301	7-17	101939901	6-25
101901501	12-11	101916501	10-3	101942301	12-5, 12-17, 12-21, 12-43, 13-5
101902801	12-7, 12-11	101916701	6-27, 10-3	101946201	1-21, 1-25, 1-27, 1-29
101902901	12-7, 12-11	101917601	8-13, 8-15	101946901	12-5
101903001	12-7, 12-11	101917701	8-13	101949201	12-5
101903101	5-9, 5-13	101918401	2-3, 2-5	101951501	6-3
101903501	8-11	101918402	2-3, 2-5	101953001	4-7, 4-9
101903601	14-3	101920001	12-19	101953101	4-7, 4-9
101903701	14-3	101920101	12-5, 12-9, 12-17, 12-21, 12-27, 12-43, 13-5	101953102	4-9
101904101	1-7, 1-17	101921501	8-13, 8-15	101953103	4-9
101904402	12-31, 12-35, 12-51, 12-55	101921901	3-3, 3-9, 3-11, 3-15	101953901	7-3
101904403	12-31, 12-35, 12-51, 12-55	101922101	14-3	101954301	1-9, 1-11, 1-19, 1-21, 1-25, 1-27, 1-29
101904502	12-31, 12-35, 12-51, 12-55	101922201	14-3	101955001	5-11
101904503	12-31, 12-35, 12-51, 12-55	101922301	7-13	101955101	6-17, 12-37
101904602	12-31, 12-35, 12-51, 12-55	101922302	7-25	101955301	8-3
101904603	12-31, 12-35, 12-51, 12-55	101922501	12-21	101956201	15-9
101904702	12-31, 12-35, 12-51, 12-55	101923001	14-3	101956202	15-9
101904703	12-31, 12-35, 12-51, 12-55	101923201	14-3	101956502	12-25
101905601	8-5, 8-9	101923501	14-3	101957101	6-19, 12-39
101905901	8-7, 8-9	101923601	14-3	101957501	12-43
101906201	14-3	101923701	14-3	101958101	8-13
101906901	14-3	101923901	14-3	101958201	15-9
101908101	12-21	101924301	12-41	101958301	15-9
101908401	12-21	101925701	8-13, 8-15	101958601	1-25, 1-27
101908601	3-5	101926501	5-17	101959902	3-3
101908701	12-17, 12-25, 12-41	101926802	8-15	101960001	3-13
101908801	12-31, 12-35, 12-51, 12-55	101926803	8-15	101960501	3-5, 3-9, 3-11, 3-15
101908902	12-31, 12-35, 12-51, 12-55	101927101	11-3	101960601	3-3, 3-7, 3-13
101908903	12-31, 12-35, 12-51, 12-55	101927101	11-3	101962601	12-43
101909201	7-5, 7-17	101927201	11-3	101963301	1-25, 1-27
101909301	7-5, 7-17	101927501	11-5	101963401	1-25, 1-27
101909401	7-5, 7-17	101927601	11-5	101963901	1-25, 1-27
101909501	7-5, 7-17	101927901	11-5	101964001	1-25, 1-27
101909701	7-3	101928001	11-5	101964601	3-15
101909901	12-17	101928101	11-5	101965201	12-17, 12-25
101909902	12-25	101928301	11-7	101966801	12-43
101909903	12-43	101928701	11-3, 14-3, 16-5	101966901	4-13
101909904	12-43	101929401	5-17	101968701	12-19
101910401	1-11, 1-21, 1-23, 12-17, 12-25				
101910501	11-7				

INDEX

101968801	12-43	101998205	1-9	102272201	7-25
101969701	6-19, 12-39	101998501	1-9	102273101	12-41
101971101	12-5	102003201	8-3	102273201	15-5
101971301	8-13, 8-15	102004001	5-13	102273301	15-5
101972101	14-3	102022101	4-3, 4-7	102273401	15-5
101972201	14-3	102026001	4-13, 4-15	102273501	15-5
101972401	14-3	102045901	6-3, 11-3	102273601	15-5
101972801	8-13, 8-15	102061201	16-7	102273701	15-5
101973101	8-5, 8-7	102101001	12-9	102273801	15-5
101973201	8-5	102101101	12-9	102273901	15-5
101973301	8-7	102162101	12-11	102274001	15-5
101973401	8-9	102166901	4-5, 4-9	102278001	5-3
101973501	15-9	102168701	3-9, 3-11	102292801	4-5, 4-9, 4-11
101975101	5-17	102169401	16-5	102304701	7-9
101975201	5-17	102174201	1-9	102304801	7-21, 7-23
101976001	14-3	102174202	1-9	102310701	1-3, 1-7, 1-17
101976601	15-9	102174204	1-9	102323101	4-7, 4-9
101978001	12-19	102174205	1-9	102323201	4-7, 4-9
101978101	12-19	102196601	12-19	102327801	13-5
101978201	12-19	102197901	5-13	102330901	16-5
101979101	6-3, 12-13	102199001	6-17	102336001	8-11
101980801	11-5	102199601	12-19	102336101	8-11
101980901	11-5	102235201	13-3, 13-5	102355301	6-29
101981001	11-5	102237701	13-3	102430901	7-25
101984801	5-3	102240102	13-5		
101985501	1-9	102240501	12-25	A	
101987402	6-5	102240601	12-25	ac voltage suppressor	15-3, 15-7, 15-9, 15-11, 15-13
101987501	15-9	102240801	12-25	accelerator cover	4-15, 12-27
101987601	1-9	102241501	16-5	accelerator pedal	4-13, 4-15
101987701	8-3	102242101	10-5	accelerator pedal adjustment tool	16-3
101987901	6-17, 12-37	102243402	16-5	accelerator pedal return spring cup	4-13
101988001	6-17, 12-37	102244501	3-15	accelerator pivot rod	4-13, 4-15
101988002	6-17, 12-37	102244701	3-15	accelerator rod	4-13
101988101	6-17, 12-37	102244801	3-15	A-connector (starter/generator)	6-25
101988201	6-17, 12-37	102248301	12-9	adapter, cable (IQDM)	16-5
101989901	12-31, 12-35, 12-51, 12-55	102248801	16-5	adapter, two-way	12-43
101990203	6-13	102249901	3-15, 16-3	adhesive, guide ring	16-3
101990402	6-13	102250201	12-13	adjuster, hydraulic brake	16-5
101990701	6-9, 6-19	102251501	16-5	adjusting stud	12-5
101990801	4-7, 4-9	102251901	13-5	air box	8-13, 8-15
101991101	6-9, 6-19	102259001	1-3	air duct	8-13, 8-15
101992601	6-7	102259101	1-3	air filter	8-13, 8-15
101992701	6-15	102259801	12-25	ammeter	15-3, 15-5, 15-7, 15-9, 15-11, 15-13
101997201	16-7	102263601	12-19, 12-25	anchor body (brake)	4-5, 4-11
101997202	16-7	102263701	12-25	anchor piston	4-5, 4-11
101997203	16-7	102265501	13-5	angle, seat hinge	1-29
101997204	16-7	102265601	13-5	A-plate strap	5-7, 5-11
101997205	16-7	102265701	13-5	arbor	16-7
101997206	16-7	102265901	13-5	arm	
101997207	16-7	102266001	13-5	brake lever	4-5, 4-11
101997209	16-7	102266101	13-5	governor lever	11-3
101997211	16-7	102266501	12-25	pivot	11-3
101997212	16-7	102266601	12-21	rocker	7-9, 7-21
101998201	1-9	102266701	12-21	speed switch	12-5
101998202	1-9	102267001	13-5		
101998204	1-9	102271601	7-23		

INDEX

- armature 6-25, 13-3, 13-5
- armrest 1-9
 - driver 1-25
 - front 1-21
 - passenger 1-27
 - rear 1-13, 1-21
 - rear seat 1-31
- assembly
 - 3-pin plug 13-5
 - 3-wire and receptacle 12-5
 - 6-pin plug 12-25
 - 48-volt motor 13-3
 - ac voltage suppressor 15-3, 15-7, 15-9, 15-11, 15-13
 - accelerator pedal 4-15
 - armature 6-25
 - armrest, passenger 1-27
 - axle 11-7, 14-3
 - bearing (steering column) 5-3
 - bolt (float chamber) 8-7
 - brush rigging 13-5
 - carburetor 8-9
 - carburetor (fe290 engine) 8-5
 - carburetor (fe350 engine) 8-7
 - charger case 15-3, 15-5, 15-7, 15-9, 15-11, 15-13
 - connecting rod 7-25
 - current limiter 15-9
 - cylinder head 7-9, 7-21
 - delta a-plate 5-7, 5-11
 - delta shock and gear support 5-7, 5-11
 - diode 6-15, 12-17, 12-41
 - diode with heatsink film 15-5
 - drive clutch (fe290 engine) 10-3
 - drive clutch (fe350 engine) 10-3
 - drive hub 10-3
 - driven clutch 10-5
 - eccentric (front suspension adjustment) 5-9, 5-13
 - end shield 13-5
 - fixed face (drive clutch) 10-3
 - float (carburetor) 8-5, 8-7
 - float chamber 8-5, 8-7
 - forward/reverse switch 12-13, 12-21
 - heatsink 15-3, 15-7, 15-9, 15-11, 15-13
 - hub 5-9, 5-13
 - idle screw 8-7
 - lever (brake) 4-3
 - moveable face (drive clutch) 10-3
 - moveable face (driven clutch) 10-5
 - pilot air screw 8-5, 8-7
 - resistor 12-17, 12-25, 12-41
 - rod (counterbalance) 7-13
 - screw (float chamber) 8-7
 - seat back 1-23
 - seat bottom 1-9
 - spindle, front suspension 5-9
 - stator shell 13-3, 13-5
 - steering column 5-3
 - switch brush 12-5
 - taillight 6-21, 6-23, 12-47, 12-57
 - transformer 15-3, 15-5, 15-7, 15-9, 15-11, 15-13
 - voltage suppressor 6-13, 12-31, 12-35, 12-37, 12-51, 12-55
 - wheel and tire 2-3, 2-5
 - wiper switch 12-5
 - wire, battery charger 15-3, 15-5, 15-7, 15-9, 15-11, 15-13
 - wire, fe290 engine 7-3
 - wire, fe350 engine 7-15
 - wire, multi-step potentiometer 12-5
 - wire, sense lead 12-23, 12-45
- axle 11-7, 14-3
- axle shaft seal 14-3
- axle tube 11-7, 14-3
- B**
- backing plate (brake) 4-3, 4-5, 4-11
- bag rest mat 1-17
- ball bearing, output shaft 6-25
- ball joint 5-7, 5-11
- ball joint, inner 5-5
- ball joint, left-hand thread 5-5, 5-11
- ball stud (accelerator pedal) 4-13
- ball stud (shifter lever) 11-3
- ball, steel (shift fork retainer) 11-5
- ball, steel pressure relief 7-7, 7-19
- band, rpm limiter mount 7-5, 7-17
- bar
 - bus 12-13
 - connecting, footrest 1-13, 1-31
 - drive 12-9
 - stabilizer 5-19
- barb, vent 8-3
- barrel, plastic 1-3, 1-15, 1-17, 1-25, 1-27
- base, forward/reverse shifter 6-3
- base, taillight 6-21, 12-47
- battery cap 12-15, 12-23, 12-47, 12-57
- battery charger with reel, onboard 15-11, 15-13
- battery charger, PowerDrive 15-3, 15-5, 15-7, 15-9
- battery clamp 6-29
- battery condition indicator 12-39
- battery discharge machine 16-3
- battery hold-down 12-15, 12-23, 12-47, 12-57
- battery insulator 1-17, 1-29, 1-35
- battery terminal protector spray 16-3
- battery thermometer 16-3
- battery warning light 12-3, 12-39
- battery, 12-volt 6-29
- battery, 8-volt 12-15, 12-23, 12-47, 12-57
- bearing
 - ball (crankshaft) 7-11
 - ball (motor) 13-3, 13-5
 - ball, input shaft 11-5
 - ball, output shaft 6-25
 - bronze 12-5
 - crankshaft 7-23
 - differential 14-3
 - idler (drive clutch) 10-3
 - inner axle tube 11-7
 - input gear 14-3
 - intermediate gear 14-3
 - lower pinion 5-5
 - needle 11-5
 - outer axle tube 11-7
 - pivot support 4-13, 4-15, 12-27
 - plain (counterbalance rod) 7-13
 - thrust 5-9, 5-13
 - upper pinion 5-5
- bearing (steering column) 5-3
- bearing and oil seal remover 16-3
- bearing driver set 16-3
- bearing puller 16-3
- bearing puller wedge 16-3
- bearing retainer 13-5
- bearing retainer (motor) 13-3
- bearing retainer (starter/generator) 6-25
- bearing retainer screw 13-3
- bell crank 12-5
- bell crank and shaft 6-7, 6-15
- belt, drive 10-3, 10-5
- belt, starter/generator 6-27, 10-3
- bezel
 - headlight 6-17, 12-37
 - receptacle 12-15, 12-45
 - taillight 6-21, 12-47
- bezel, receptacle 12-23
- block
 - brake pedal mounting 4-7
 - fuse 6-7, 6-15, 12-45
 - terminal 6-17, 12-37, 12-43, 12-45
 - terminal (controller) 12-25
- board, control 15-11, 15-13
- body
 - center 1-15
 - front 1-3
 - mid-center 1-15
 - rear 1-7, 1-17
- body spacer 1-11, 1-21, 1-23
- bolt, brake adjustment 4-5, 4-11
- bolt, brake cluster mounting 4-3, 4-5
- bolt, j- 12-23
- boot
 - dust 5-5
 - rubber 8-3

INDEX

- steering column 5-3
- tow/run switch 12-21
- box, electrical component 6-7, 6-15
- bracket
 - accelerator support 8-11
 - adjusting (starter/generator) 6-27
 - armrest 1-13
 - brake cable guide 5-11
 - brake light switch 6-19, 12-39
 - engine shroud 7-3
 - fuel gauge/hour meter 6-9, 6-19
 - fuel pump mounting 8-3
 - governor cable engine 8-11
 - horn 6-17, 12-37
 - mounting 6-17, 12-37, 15-11, 15-13
 - mounting (starter/generator) 6-27
 - muffler mounting 9-3, 9-5
 - oil filter 7-7, 7-19
 - oil level switch 7-11, 7-23
 - power relay mounting 15-7, 15-11, 15-13
 - relay mounting 6-15
 - retaining 8-15
 - rpm limiter 7-5, 7-17
 - seat back mounting 1-27, 1-29
 - seat support 1-19
 - snubber 7-27
 - stabilizer bar mounting 5-19
 - stake side 1-37
 - steering column mounting 5-3
 - support 8-11
 - throttle 8-9
 - tow/run switch 12-21
 - transmission cable support 6-3, 11-3
- brake actuator 4-5, 4-11
- brake adjusting mechanism 4-3
- brake adjustment bolt 4-5, 4-11
- brake adjustment tool 16-3
- brake cable 4-3, 4-5, 4-7, 4-9, 4-11
- brake cable clamp 5-11
- brake cable equalizer 4-7
- brake cable guide bracket 5-11
- brake cable hanger 4-3, 4-5, 5-15, 5-17
- brake cluster 4-3, 4-5, 4-11
- brake cluster mounting bolt 4-3, 4-5
- brake drum 4-3, 4-5, 4-11
- brake dust cover 4-3, 4-5, 4-11
- brake lever arm 4-5, 4-11
- brake pedal 4-7, 4-9
- brake pedal adjustment tool 16-3
- brake pedal mounting block 4-7, 4-9
- brake pedal pad 4-7
- brake pedal stop bumper 4-7
- brake pedal tension tool 16-3
- brake shoe 4-3, 4-5, 4-11
- brake spring 4-3, 4-5, 4-11
- breaker
 - circuit, 10-amp 15-7, 15-9, 15-13
 - circuit, 15-amp 15-3, 15-5, 15-11
- breather, transaxle case 11-3, 14-3
- bronze bushing 5-9, 5-13, 6-3, 6-7, 6-15
- bronze spindle bushing 5-9, 5-13
- brush 6-25, 13-3, 13-5
- brush connector 6-25
- brush holder 6-25
- brush holder screw 13-3
- brush inspection port cover 6-25
- brush rigging 13-3
- brush spring 6-25, 12-5, 13-3, 13-5
- bulb, halogen 6-17, 12-37
- bulb, taillight 6-21, 6-23, 12-47, 12-57
- bumper
 - brake pedal stop 4-7
 - front 1-3
 - guard 1-13, 1-31
 - jounce 5-15
 - long seat 1-29
 - motor 13-3, 13-5
 - mount 5-15
 - rear 1-33
 - return spring 4-13, 4-15
 - rubber 1-11, 1-35, 4-9
 - seat 1-19, 1-25, 1-27
 - wiper switch 12-5
- bus bar 12-13
- bushing
 - bronze 5-9, 5-13, 6-3, 6-7, 6-15
 - bronze spindle 5-9, 5-13
 - drive clutch 10-3
 - insulator 13-3, 13-5
 - nylon 1-11, 1-23
 - snap 12-41
 - stabilizer bar 5-19
 - steel 1-35, 5-9, 5-13, 5-15, 5-17
 - strain relief 15-3, 15-5, 15-7, 15-9, 15-11, 15-13
 - urethane 1-35, 5-7, 5-9, 5-11, 5-13, 5-15, 5-17
- button, choke 8-13
- button, horn 6-19, 12-39
- C**
- cable
 - accelerator 8-11
 - accelerator, snap-in 8-11
 - brake 4-3, 4-5, 4-7, 4-9, 4-11
 - choke 8-15
 - governor 8-11
 - governor, snap-in 8-11
 - IQDM 16-5
 - retainer 6-3
 - transmission 6-3
- calibration test module 16-3
- cam (driven clutch) 10-5
- cam installation tool 16-3
- cam, electrical box 6-7, 6-15
- cam, neutral lock-out 6-3
- camshaft 7-11, 7-23
- cap
 - adjustment bolt 4-5, 4-11
 - battery 12-15, 12-47, 12-57
 - battery (4-port) 12-23
 - corner 1-25, 1-27, 1-29
 - dust 12-21
 - fuel tank 8-3
 - key switch 6-9, 6-19, 12-3, 12-39
 - seat back 1-11, 1-21, 1-23, 1-27, 1-29
- carburetor (fe290 engine) 8-5, 8-9
- carburetor (fe350 engine) 8-7, 8-9
- carburetor gasket 8-9
- carburetor insulator 8-9
- card, safety first 16-5
- carrier, wiper switch arm 12-5
- case
 - charger 15-3, 15-5, 15-7, 15-9, 15-11, 15-13
 - forward/reverse switch 12-21
 - gear 11-3, 14-3
 - gear carrier 11-7
 - rocker arm 7-9, 7-21
 - wiper switch 12-5
- center body 1-15
- charger case 15-3, 15-5, 15-7, 15-9, 15-11, 15-13
- charger, PowerDrive battery 15-3, 15-5, 15-7, 15-9
- choke button 8-13
- choke cable 8-15
- choke lever 8-13, 8-15
- choke lever guide 8-13
- choke positioner 8-13
- choke valve 8-13, 8-15
- circlip, type-e 7-21
- circuit breaker, 10-amp 15-7, 15-9, 15-13
- circuit breaker, 15-amp 15-3, 15-5, 15-11
- clamp
 - battery 6-29
 - brake cable 5-11
 - cable retaining 8-11
 - forward/reverse shifter 6-3
 - hose 8-3, 8-9
 - hose (air intake) 8-13, 8-15
 - muffler 9-3, 9-5
 - plastic 8-3
 - wire 7-5
- clamp screw 13-3, 13-5
- clevis, upper delta 5-9, 5-13
- clip, body keeper 1-7, 1-17

INDEX

clip, scorecard 5-3
cluster, brake 4-3, 4-5, 4-11
clutch alignment tool 16-3
clutch tool kit 16-3
clutch, drive (fe290 engine) 10-3
clutch, drive (fe350 engine) 10-3
clutch, driven 10-5
coil, field 6-25
coil, ignition 7-5, 7-17
collar (axle shaft) 11-7
collet (cylinder head) 7-9, 7-21
column, steering 5-3
communication display module 16-3
commutator end bell 6-25
component mounting plate 12-17, 12-25
compression gauge 16-3
compression mount 5-19
compression spring 8-13
compressor, piston ring 16-5
compressor, valve spring 16-7
computer, onboard 12-17, 12-25, 12-43
conduit, potentiometer 12-27
connecting bar, footrest 1-13, 1-31
connecting rod 7-25
connecting rod (crankshaft) 7-13, 7-25
connector
 4-pin 12-21
 IQ controller 12-25
connector, 3-pin 12-43
connector, cord (oil level sensor) 7-11, 7-23
continuity tester 16-5
control board 15-11, 15-13
controller, 48-volt (250-amp) 12-25
controller, 48-volt (300-amp) 12-17, 12-41
cord connector (oil level sensor) 7-11, 7-23
cord housing (front seat) 1-25, 15-11, 15-13
cord, dc (charger) 15-3, 15-5, 15-7, 15-9, 15-11, 15-13
cordset, ac 15-3, 15-5, 15-7, 15-9, 15-11, 15-13
corner cap 1-25, 1-27, 1-29
counterbalance guide shaft 7-13, 7-25
counterbalance weight 7-13, 7-25
cover
 accelerator 4-15, 12-27
 brake dust 4-3, 4-5, 4-11
 brush inspection port 6-25
 component 12-43
 controller 12-25
 crankcase 7-11, 7-23
 dust 5-9, 5-13
 electrical component box 6-7, 6-15
 fuse block 12-45
 gear case 11-7
 oil pump 7-7, 7-19

screw head 1-5
seat back support 1-25
seat bottom 1-9
steering column 5-3
vinyl seat back 1-11, 1-21, 1-23, 1-25, 1-27, 1-29
vinyl seat bottom 1-11, 1-19, 1-23, 1-25, 1-27, 1-29
wiper switch 12-5
crank, bell 12-5
crankcase 7-13, 7-25
crankcase cover 7-11
crankcase vent tube 8-9
crankshaft 7-13, 7-25
crankshaft seal 7-11
crankshaft shim 7-13, 7-25
cup, accelerator pedal return spring 4-13
cup, spring 4-15
current limiter 15-9
cushion, shock absorber 5-15, 5-17
cutter, valve seat 16-7
cylinder head 7-9, 7-21

D

damper, rpm limiter 7-5, 7-17
dash, driver side 1-5
dash, passenger side 1-5
dc cord (charger) 15-3, 15-5, 15-7, 15-9, 15-11, 15-13
decal
 battery danger 3-5, 3-9, 3-11, 3-15
 bed bolt warning 3-17
 bed load 1-37
 bed load warning 3-17
 component cover caution 3-15
 crush area 3-17
 driver/passenger warning 3-3, 3-7, 3-13
 electrical component cover 3-5, 12-25
 frame ground and governor warning 3-5, 3-9, 3-11, 3-17
 gasoline warning 3-5, 3-9, 3-11, 3-15
 Ingersoll-Rand 3-3, 3-9, 3-11, 3-15
 key switch 3-3, 3-7, 3-13
 motor braking 3-3
 no ground 3-15
 operating instructions 3-3, 3-7, 3-13
 passenger warning 3-3, 3-7, 3-11, 3-17
 potentiometer caution 3-5
 rotating parts and hot manifold warning 3-5, 3-9, 3-11, 3-15
 tow/run switch 3-5
 TransPorter 3-15
 vehicle loading 3-13
 Villager 3-11
 wiper switch warning 12-5
delta a-plate 5-7, 5-11

delta shock and gear support 5-7, 5-11
differential bearing 14-3
differential gear 11-7, 14-3
differential gear case 11-7
differential housing 14-3
differential idler gear 11-7, 14-3
differential pin 11-7, 14-3
diode assembly 6-15, 12-17, 12-41
dipstick 7-3, 7-15
door, access 1-7, 1-17
double lip seal 5-9
drag link, rack and pinion 5-5
drain plug 7-19
drain plug (crankcase) 7-7
drink holder 1-5
drive bar 12-9
drive belt 10-3, 10-5
drive clutch (fe290 engine) 10-3
drive clutch (fe350 engine) 10-3
drive clutch button 10-3
drive clutch holder tool 16-3
drive clutch hub puller 16-3
drive clutch puller 16-3
drive hub 10-3
driven clutch 10-5
driven clutch cam puller 16-3
driven clutch puller plug 16-3
driver, drive clutch 10-3
drum, brake 4-3, 4-5, 4-11
dry moly lubricant 16-5
duct, air 8-13, 8-15
dust boot 5-5
dust cap 12-21
dust cover 5-9, 5-13
dust seal 5-7, 5-11

E

8-volt battery 12-15, 12-23, 12-47, 12-57
eccentric (front suspension adjustment) 5-9, 5-13
electrical component box 6-7, 6-15
end bell, commutator 6-25
end bell, output shaft 6-25
end shield 13-3, 13-5
engine shroud 7-3, 7-15
engine valve spring 7-9, 7-21
engine, fe290 ohv gasoline 7-3
engine, fe350 ohv gasoline 7-15
equalizer and pivot limiter 4-9
equalizer rod 4-7, 4-9
equalizer, brake cable 4-7
exhaust system 9-3, 9-5
exhaust valve 7-9, 7-21

F

4-pin plug and wedge lock 12-21

INDEX

4-pin receptacle and wedge lock 12-21
48-volt motor, 3.10-hp 13-3
48-volt motor, 3.20-hp 13-5
48-volt solenoid 12-17, 12-25, 12-41
fan housing 7-3, 7-15
fan shroud 7-3, 7-15
fan, flywheel 7-5, 7-17
fastener, plastic barrel 1-13, 1-31
fe290 ohv gasoline engine 7-3
fe350 ohv gasoline engine 7-15
fender extrusion 1-3
fender, inner 1-7, 1-17
fender, rear 1-33
field coil (starter/generator) 6-25
fill plug 14-3
filter
 air 8-13, 8-15
 fuel 8-3
 oil 7-7, 7-19
fitting, grease 5-9, 5-13
fitting, thread-forming grease 5-5, 5-7, 5-11
fixed face (drive clutch) 10-3
fixed face (driven clutch) 10-5
float (carburetor) 8-5, 8-7
float chamber 8-5, 8-7
float chamber gasket 8-5
floor mat 1-5
flywheel 7-5, 7-17
flywheel fan 7-5, 7-17
flywheel puller 16-5
footrest mat 1-13, 1-31
footrest, rear 1-13, 1-31
fork, shift 11-5
forward/reverse bell crank 6-3
forward/reverse cam spring 6-3
forward/reverse handle 6-3, 12-13
forward/reverse shifter 6-3
forward/reverse switch 12-13, 12-21
forward/reverse switch case 12-21
front body 1-3
front spring retainer plate 5-9
f-terminal insulator 6-25
fuel filter 8-3
fuel gauge/hour meter 6-9, 6-19
fuel impulse pump 8-3
fuel line 8-3
fuel pickup tube valve 8-3
fuel strap, front 8-3
fuel strap, rear 8-3
fuel tank 8-3
fuse
 10-amp 6-7, 6-15
 20-amp 6-15, 12-45
 3/8-amp 12-15, 12-23, 12-45
 battery charger 15-3, 15-5, 15-7, 15-9,
 15-11, 15-13

 block 6-7, 6-15
 fuse and receptacle 12-15, 12-45
 fuse block 12-45

G

gasket
 carburetor 8-9
 controller 12-25
 crankcase cover 7-11, 7-23
 drain plug 7-7, 7-19, 11-3
 exhaust 9-3, 9-5
 fe290 7-9
 float chamber 8-5, 8-7
 head 7-9, 7-21
 heat transfer 12-43
 insulator 8-9
 liquid 14-3, 16-5
 liquid (transaxle case) 11-3
 oil pump 7-7, 7-19
 plug 14-3
 rocker arm case 7-9, 7-21
 seat 1-9, 1-19
 taillight 6-23, 12-57
 throttle bracket 8-9
gasket kit 7-21, 7-23
gauge, compression 16-3
gauge, fuel 6-9, 6-19
gear
 case 11-3, 14-3
 cluster idler 11-5
 differential 11-7, 14-3
 differential idler 11-7, 14-3
 helical (crankshaft) 7-13, 7-25
 input 11-5
 intermediate 14-3
 output 11-7, 14-3
 spur (crankshaft) 7-13, 7-25
 spur (transaxle) 11-5
gear yoke 16-5
governor 11-5
governor cable 8-11
governor guard 8-9
governor lever arm 11-3
governor shaft installation tool 16-5
grease fitting 5-5, 5-9, 5-11, 5-13
grip, pencil 5-3
grommet
 5/8 12-43
 choke cable 8-15
 flywheel 7-5, 7-17
 insulation 8-3
 split 12-5
guard, bumper 1-13, 1-31
guard, governor 8-9
guide
 choke lever 8-13

 oil (transaxle) 11-5
 steering rack 5-5
 valve 7-9, 7-21
 valve seat cutter 16-7
guide ring adhesive 16-3

H

handle, forward/reverse 6-3, 12-13
handle, Powerdrive 2 battery charger 15-5
handrail, first seat 1-25
handrail, rear seat 1-13, 1-31
hanger, brake cable 4-3, 4-5, 5-15, 5-17
hardware, terminal (starter/generator) 6-25
harness retainer 6-9
harness, wire
 gasoline 6-5, 6-13
 headlight 6-17, 12-37
 IQ System 12-19
 lighting 12-31, 12-35, 12-51, 12-55
 power 12-31, 12-35, 12-51, 12-55
 PowerDrive System 48 12-7, 12-11
head gasket 7-9
headlight 6-17, 12-37
heat shield 1-17
heat shrink 15-11, 15-13
heatsink 15-3, 15-5, 15-7, 15-9, 15-11,
 15-13
helical gear (crankshaft) 7-13
hinge
 long 1-11, 1-23
 seat 1-29
 short 1-11, 1-23
hold-down, battery 12-15, 12-23, 12-47,
 12-57
holder, drink 1-5
horn 6-17, 12-37
horn button 6-19, 12-39
hose clamp 8-3, 8-9
hose clamp (air intake) 8-13, 8-15
hose, intake 8-13, 8-15
hour meter 6-9, 6-19
housing
 cord (front seat) 1-25, 15-11, 15-13
 differential 14-3
 fan 7-3, 7-15
 female 3-wire 13-5
 field coil (starter/generator) 6-25
 potentiometer 12-27
 taillight 6-23, 12-57
hub 5-9, 5-13
hub, drive 10-3
hub, synchronizer clutch 11-5
hydraulic brake adjuster 16-5
hydraulic lifter 7-23
hydrometer 16-5

INDEX

- I**
- idle screw 8-5, 8-7
 - ignition coil 7-5, 7-17
 - indicator, battery condition 12-39
 - input gear bearing 14-3
 - input shaft 11-5, 14-3
 - input shaft oil seal 11-5, 14-3
 - insert, synchronizer 11-5
 - insert, wood 1-9, 1-11, 1-19, 1-23, 1-27, 1-29
 - insulation, rear cargo bed 1-35
 - insulator
 - battery 1-17, 1-29, 1-35
 - carburetor 8-9
 - f-terminal 6-25
 - gasket 8-9
 - insulator bushing 13-3
 - intake hose 8-13, 8-15
 - intake seal 8-13, 8-15
 - intake valve 7-9, 7-21
 - intermediate gear 14-3
 - internal retaining ring pliers 16-5
 - IQ display module (IQDM) 16-5
- J**
- j-bolt 12-15, 12-23
 - jet, main 8-5, 8-7
 - jet, pilot 8-5, 8-7
 - joint
 - ball 4-7, 5-7, 5-11, 6-3
 - compound steering 5-3
 - inner ball 5-5
 - left-hand thread ball 5-5, 5-11
 - spring-loaded ball 4-13
- K**
- key
 - crankshaft 7-13
 - driven clutch 10-5
 - flywheel 7-5, 7-17
 - square 10-5
 - transmission shaft 11-5
 - vehicle (pair) 6-9, 6-19, 12-3, 12-39
 - woodruff 6-25, 11-3
 - key (crankshaft) 7-25
 - key switch 6-9, 6-19, 12-3, 12-39
 - kingpin 5-9
 - kingpin wave washer 5-9, 5-13
 - kingpin, front suspension 5-13
 - kit
 - 3-pin plug 12-5, 12-9, 12-17, 12-27, 12-43, 13-5
 - 3-pin plug and wedge lock 12-21
 - 3-pin receptacle 12-5, 12-17, 12-27
 - 3-pin receptacle and wedge lock 12-21
 - 3-wire plug 12-51
 - 4-pin plug and wedge lock 12-21
 - 4-pin receptacle and wedge lock 12-21
 - 6-pin plug 12-25
 - 6-pin receptacle 12-25
 - accelerator pivot rod 4-13, 4-15
 - anchor body (brake) 4-5, 4-11
 - bearing and magnet 13-5
 - brake actuator 4-5
 - brake cable 4-3, 4-5, 4-7, 4-11
 - brake pedal 4-7
 - brake pedal adjustment tool 16-3
 - differential gear case 11-7
 - drink holder 1-5
 - drive clutch weight 10-3
 - driven clutch button 10-5
 - equalizer and pivot limiter 4-9
 - fuse and receptacle 12-23
 - gasket 7-9
 - gasket (engine) 7-21, 7-23
 - hardware, taillight 6-21, 12-47
 - IQ controller connector 12-25
 - IQ display module (IQDM) 16-5
 - MCOR conversion 12-9
 - park brake latch 4-7, 4-9, 4-13, 4-15
 - park brake pedal 4-7
 - pulley nut and screw 6-25
 - rebuild, fuel impulse pump 8-3
 - resistor assembly 12-5
 - reverse buzzer 6-9, 6-17, 6-21, 6-23
 - shock absorber cushion 5-15, 5-17
 - shock absorber, rear 5-15, 5-17
 - shoe retainer 4-3, 4-5, 4-11
 - snap washer 1-5
 - stake side 1-37
 - steering column rebuild 5-3
 - tune-up 16-7
 - knob, light switch 6-19, 12-39
- L**
- latch, park brake 4-7, 4-9, 4-13, 4-15
 - latch, wire 8-13, 8-15
 - lead wire 7-5, 7-17
 - leaf spring, tapered 5-9
 - lens, headlight 6-17, 12-37
 - lens, taillight 6-21, 6-23, 12-47, 12-57
 - lever
 - actuator 4-15
 - brake 4-3
 - choke 8-13, 8-15
 - potentiometer 12-27
 - shifter 11-3
 - transmission shifter 11-3
 - lifter, hydraulic 7-23
 - light switch 6-19
 - light switch knob 6-19
 - light, battery warning 12-3, 12-39
 - light, low oil warning 6-9, 6-19
 - limit switch 6-3, 6-7, 6-15, 6-19, 12-5, 12-13, 12-27
 - limiter
 - rpm 7-17
 - rpm, ohv 7-5
 - voltage 6-17, 12-43
 - line, fuel 8-3
 - line, vent 8-3, 8-9
 - link, rack and pinion drag 5-5
 - link, stabilizer bar 5-19
 - liquid gasket 14-3, 16-5
 - lower pinion bearing 5-5
 - lubricant, dry moly 16-5
 - lubricant, moly-teflon 16-5
 - lug nut 2-3, 2-5
 - lug stud 5-9, 5-13, 11-7, 14-3
- M**
- magnet 13-5
 - magnetic plug 14-3
 - main jet 8-7
 - mat
 - bag rest 1-9, 1-17
 - floor 1-5
 - footrest 1-13, 1-31
 - MCOR (motor controller output regulator) 12-9
 - mechanism, brake adjusting 4-3
 - meter, hour 6-9, 6-19
 - meter, volt ohm 16-7
 - module, calibration test 16-3
 - module, communication display 16-3
 - moly-teflon lubricant 16-5
 - motor
 - 48-volt IQ 13-5
 - motor bumper 13-3, 13-5
 - motor, 48-volt 13-3
 - mount
 - bumper 5-15
 - compression 5-19
 - seat back bracket 1-27
 - mounting block, brake pedal 4-7
 - mounting bracket 15-11, 15-13
 - mounting bracket (starter/generator) 6-27
 - mounting bracket, steering column 5-3
 - mounting plate 1-33
 - mounting plate (engine) 7-27
 - moveable face (drive clutch) 10-3
 - moveable face (driven clutch) 10-5
 - muffler clamp 9-3
- N**
- nameplate, Club Car 1-3
 - neutral lock-out cam 6-3

INDEX

nozzle, main (fe290 engine) 8-5
nozzle, main (fe350 engine) 8-7
nut
 key switch 6-9, 6-19, 12-3, 12-39
 lug 2-3, 2-5, 5-13
 slab base "T" 1-3
nylon bushing 1-11, 1-23

O

oil filler tube 7-3, 7-15
oil filter 7-19
oil filter screen 7-11
oil level sensor 7-11, 7-23
oil pump and rotor 7-7, 7-19
oil seal 7-25
oil seal (crankshaft) 7-13, 7-23
oil warning light, low 6-9, 6-19
onboard computer 12-17, 12-43
o-ring
 counterbalance shaft 7-13, 7-25
 oil filter mount 7-7, 7-19
 oil level sensor 7-11, 7-23
 rocker case hardware 7-9, 7-21
output gear 11-7, 14-3

P

package, brush 6-25, 13-3
package, hub bearing 5-9, 5-13
pad
 accelerator 4-13
 accelerator pedal 4-15
 brake pedal 4-7, 4-9
 park brake 4-7, 4-9
 spring 5-15, 5-17
paint, touch-up 16-7
panel, center dash 1-5
panel, rear seat frame 1-29
park brake latch 4-7, 4-9, 4-13, 4-15
park brake pedal 4-7, 4-9
park brake ratchet 4-13, 4-15
park brake rod sleeve 4-7
park brake torsion spring 4-7
pawl 4-7
pedal
 accelerator 4-13, 4-15
 brake 4-7, 4-9
 park brake 4-7, 4-9
pencil grip 5-3
pilot air screw 8-5, 8-7
pilot jet 8-5, 8-7
pin
 crankcase cover locating 7-11
 differential 11-7, 14-3
 equalizer pivot 4-9
 governor cable clevis 8-11

head locating 7-9
hinge, long 1-11, 1-23
piston 7-13, 7-25
 roll (shifter lever) 11-3
pinion, steering 5-5
pipe, intake 8-9
piston 7-13, 7-25
piston pin 7-13, 7-25
piston pin retaining ring 7-13, 7-25
piston ring compressor 16-5
piston ring pliers 16-5
piston ring set 7-13, 7-25
piston, anchor 4-5, 4-11
pivot arm 11-3
pivot support bearing 4-13, 4-15
plastic clamp 8-3
plate 7-21
 backing (brake) 4-3, 4-5, 4-11
 body hinge 1-7, 1-17
 body kick 1-7, 1-17
 component mounting 12-17, 12-25
 flywheel fan 7-5, 7-17
 front spring retainer 5-9, 5-13
 heatsink 15-5
 mounting 1-33, 12-41
 mounting (engine) 7-27
 oil filter screen 7-11, 7-23
 oil pump 7-7, 7-19
 oil valve 7-9
 receptacle backing 1-25, 12-15, 12-23, 12-45, 15-11, 15-13
 scorecard 5-3
 seat hinge 1-9, 1-15, 1-19, 1-29
 spring mounting 5-7, 5-11
 thrust 11-5, 11-7
 thrust (idler gear) 14-3
pliers
 internal retaining ring 16-5
 piston ring 16-5
 retaining ring 16-5
plug
 3-pin 12-5, 12-9, 12-17, 12-43, 13-5
 3-wire 12-31, 12-35, 12-51, 12-55
 6-pin 12-25
 cap 7-5, 7-17
 drain 7-19
 drain (crankcase) 7-7
 drain (transaxle) 11-3
 drive clutch 10-3
 driven clutch puller 16-3
 fill 14-3
 filter bracket 7-7
 magnetic 14-3
 spark (ohv) 7-5, 7-17
plug gasket 14-3
pole set (starter/generator) 6-25

positioner, choke 8-13
potentiometer housing 12-27
potentiometer lever 12-27
power relay 15-3, 15-5, 15-7, 15-11, 15-13
PowerDrive battery charger 15-3, 15-5, 15-7, 15-9
press weldment 16-3
protector spray, battery terminal 16-3
protector, wiper switch resistor 12-5
puller
 bearing 16-3
 drive clutch 16-3
 drive clutch hub 16-3
 driven clutch cam 16-3
 flywheel 16-5
 seal 16-5
pulley (starter/generator) 6-25
pulley nut and screw (starter/generator) 6-25
pump cover (oil) 7-7, 7-19
pump, fuel impulse 8-3
pump, oil and rotor 7-7, 7-19
push rod 7-9, 7-21

R

rack and pinion drag link 5-5
rack, steering 5-5
ratchet, park brake 4-13, 4-15
reamer, valve guide 16-7
rear body 1-7, 1-17
rear footrest 1-13, 1-31
rear seat frame panel 1-29
receptacle
 3-pin 12-5, 12-17, 12-27
 3-wire 12-5
 6-pin 12-25
 AC cord 15-9
receptacle (fuse) 12-23
receptacle backing plate 12-23
receptacle bezel 12-15, 12-23, 12-45
reel, retractable cord 15-11, 15-13
regulator, motor controller output (MCOR) 12-9
regulator, voltage 6-15
relay
 48-vdc power 15-3, 15-5, 15-7, 15-9, 15-11, 15-13
 brake light 12-37
 electrical component box 6-15
remover, bearing and oil seal 16-3
resistor 12-25
resistor assembly 12-17, 12-41
retainer
 bearing 13-5
 bearing (motor) 13-3
 bearing (starter/generator) 6-25

INDEX

- cable 6-3
- harness 6-9
- headlight 6-17, 12-37
- push on 12-39
- shock absorber cushion 5-15, 5-17
- spiral ring 10-3
- spring 4-13, 4-15, 5-15
- spring (drive clutch) 10-3
- valve spring 7-9, 7-21
- retaining ring (drive clutch) 10-3
- retaining ring (driven clutch) 10-5
- retaining ring (steering column) 5-3
- retaining ring pliers 16-5
- retractable cord reel 15-11, 15-13
- return spring 4-15, 8-13, 8-15
- return spring bumper 4-13, 4-15
- reverse buzzer 6-9, 6-17, 6-21, 6-23, 12-3, 12-37, 12-47, 12-57
- rigging, brush 13-3, 13-5
- rim, wheel 2-3, 2-5
- ring
 - C-type stop 5-5
 - piston (set) 7-13, 7-25
 - piston pin retaining 7-13, 7-25
 - retaining (drive clutch) 10-3
 - retaining (driven clutch) 10-5
 - retaining (steering column) 5-3
 - retaining (steering gear box) 5-5
 - snap 5-5, 11-3
 - spiral back-up 10-3
 - synchronizer 11-5
- rocker arm 7-9, 7-21
- rod
 - accelerator pivot 4-13
 - battery hold-down 12-47, 12-57
 - connecting 7-25
 - connecting (crankshaft) 7-13, 7-25
 - counterbalance 7-13
 - equalizer 4-7, 4-9
 - push 7-9, 7-21
 - shift 11-5
 - tie 5-7, 5-11
- rod and pawl 4-7, 4-9
- rpm limiter 7-5, 7-17
- rubber boot 8-3
- S**
- 6-pin plug 12-25
- 6-pin receptacle 12-25
- safety first card 16-5
- scorecard clip 5-3
- scorecard plate 5-3
- screen, oil filter 7-11, 7-23
- screw
 - bearing retainer 13-3, 13-5
 - brush holder 13-3
- clamp 13-3, 13-5
- idle 8-7
- idler 8-5
- lens 6-23
- pilot air 8-5, 8-7
- pole piece (starter/generator) 6-25
- valve clearance adjuster 16-7
- seal
 - bed 1-35
 - crankshaft 7-11
 - double lip 5-9, 5-13
 - dust 5-7, 5-11
 - dust (steering gear box) 5-5
 - dust, steering pinion 5-5
 - intake 8-13, 8-15
 - oil 7-25
 - oil (axle shaft) 11-7
 - oil (crankshaft) 7-13, 7-23
 - oil (governor pivot) 11-3
 - oil (shifter shaft) 11-3
 - oil, axle shaft 14-3
 - oil, input shaft 11-5, 14-3
 - valve 7-9, 7-21
- seal puller 16-5
- seat
 - bearing 5-3
 - spring 7-9, 7-21
 - valve 7-7
- seat back 1-11, 1-21, 1-23, 1-25, 1-27, 1-29
- seat back support 1-11, 1-23
- seat bottom 1-9, 1-11, 1-19, 1-23, 1-25, 1-27, 1-29
- seat bottom cover 1-9
- seat hinge plate 1-9
- seat support 1-11, 1-23
- seat support panel 1-25, 1-27
- sensor, motor speed 13-5
- sensor, oil level 7-11, 7-23
- set, pole 6-25
- shackle, rear spring 5-15, 5-17
- shaft
 - counterbalance guide 7-13, 7-25
 - input 11-5, 14-3
 - rocker arm 7-9, 7-21
 - shifter 11-3
 - steering column 5-3
- shield, end 13-3, 13-5
- shield, heat 1-17
- shift fork 11-5
- shift rod 11-5
- shifter lever 11-3
- shifter shaft 11-3
- shifter, forward/reverse 6-3
- shim
 - camshaft 7-23
- crankshaft 7-13, 7-25
- tilt bed pivot 1-35
- wiper switch 12-5
- shock absorber cushion 5-15, 5-17
- shock absorber, front 5-7, 5-11
- shock absorber, rear 5-15, 5-17
- shoe bake 4-3, 4-11
- shoe retainer 4-3, 4-5, 4-11
- shoe, brake 4-5
- shrink, heat 15-11, 15-13
- shroud, engine 7-3, 7-15
- shroud, fan 7-3, 7-15
- side bumper guard trim 1-3
- sleeve
 - delta a-plate 5-7, 5-11
 - park brake rod 4-7, 4-9
 - synchronizer 11-5
 - transaxle 11-5
- slide switch, 4-position 15-7, 15-9, 15-13
- snap ring 5-5
- snubber 7-27
- snubber bracket 7-27
- solenoid, 12-volt 6-7, 6-15
- solenoid, 48-volt 12-17, 12-25, 12-41
- spacer
 - 1/2 (inner fender) 1-7
 - 1-7/8 (inner fender) 1-7
 - accelerator pivot rod 4-13
 - battery terminal bolt 6-29
 - body 1-11, 1-21, 1-23
 - crankshaft 7-13
 - engine 7-27
 - equalizer 4-9
 - fixed face shaft 10-3
 - overload bumper 5-15
 - park brake 4-7, 4-9
 - stabilizer bar 5-19
- spanner wrench 16-5
- spark plug (ohv) 7-5, 7-17
- speed switch arm 12-5
- spindle, front suspension 5-9, 5-13
- spray, battery terminal protector 16-3
- spring
 - accelerator pedal retainer 4-13
 - brake 4-3, 4-5, 4-11
 - brake return 4-9
 - brush 6-25, 13-3, 13-5
 - compression 5-3, 8-13
 - drive button 10-3
 - drive clutch 10-3
 - engine valve 7-9, 7-21
 - forward/reverse cam 6-3
 - oil pressure relief 7-7, 7-19
 - park brake torsion 4-7, 4-9
 - rear leaf 5-15, 5-17
 - return 4-13, 4-15, 8-13, 8-15

INDEX

- shift fork retainer 11-5
 - synchronizer 11-5
 - tapered compression 5-3
 - tapered leaf 5-9, 5-13
 - throttle return 8-9
 - wiper switch brush 12-5
 - yoke 5-5
 - spring cup 4-15
 - spring mounting plate 5-7, 5-11
 - spring retainer 4-15, 5-15
 - spring seat 7-9, 7-21
 - spur gear (crankshaft) 7-13
 - stabilizer bar 5-19
 - starter/generator 6-25, 6-27
 - stator shell 13-3, 13-5
 - steel bushing 1-35, 5-9, 5-13, 5-15, 5-17
 - steering column 5-3
 - steering column bearing press tool 16-5
 - steering column mounting bracket 5-3
 - steering column retaining ring tool 16-5
 - steering column shaft 5-3
 - steering gear box 5-5
 - steering wheel 5-3
 - steering wheel puller tool 16-7
 - stem, valve 2-3, 2-5
 - stiffener
 - flywheel side 7-27
 - PTO side 7-27
 - seat 1-25, 1-27
 - strain relief bushing 15-3, 15-5, 15-7, 15-9, 15-11, 15-13
 - strap, A-plate 5-7, 5-11
 - strap, seat bottom 1-25, 1-27, 1-29
 - stud
 - ball 4-13, 6-3, 6-7, 6-15, 11-3
 - engine mounting 7-27
 - lug 5-9, 5-13, 11-7, 14-3
 - short ball 12-5
 - wiper switch adjusting 12-5
 - support
 - accelerator pivot rod 4-13, 4-15
 - front body 1-7, 1-17
 - rear seat 1-29
 - seat 1-11, 1-23
 - seat back 1-11, 1-23
 - stabilizer bar bushing 5-19
 - suppressor, voltage 6-13, 12-37
 - switch
 - 4-position slide 15-7, 15-9, 15-13
 - forward/reverse 12-13, 12-21
 - key 6-9, 6-19, 12-3, 12-39
 - light 6-19, 12-39
 - limit 6-3, 6-7, 6-15, 6-19, 12-5, 12-13, 12-27, 12-39
 - limit, sealed 12-13
 - tow/run 12-21
 - switch brush 12-5
 - synchronizer clutch hub 11-5
 - synchronizer ring 11-5
- ## T
- 12-volt battery 6-29
 - 12-volt solenoid 6-7, 6-15
 - 3-pin plug 12-5, 12-9, 12-17, 12-43, 13-5
 - 3-pin plug and wedge lock 12-21
 - 3-pin receptacle 12-5, 12-17, 12-27
 - 3-pin receptacle and wedge lock 12-21
 - 3-wire and receptacle 12-5
 - 3-wire plug 12-51
 - 3/8-amp fuse 12-23
 - 20-amp fuse 12-45
 - tachometer 16-7
 - taillight 6-23
 - taillight assembly 6-21, 6-23, 12-47, 12-57
 - tailskirt 1-33
 - tapered compression spring 5-3
 - tapered leaf spring 5-9
 - tappet 7-11
 - terminal block 6-17, 12-37, 12-43, 12-45
 - terminal block (controller) 12-25
 - terminal hardware (starter/generator) 6-25
 - tester, continuity 16-5
 - thermometer, battery 16-3
 - throttle bracket gasket 8-9
 - thrust bearing 5-9
 - tie rod 5-7, 5-11
 - tie, wire 5-5, 6-17, 8-15, 12-5, 12-21, 12-25, 12-27, 12-37, 12-41, 12-43
 - tilt bed 1-35
 - tire 2-3, 2-5
 - tool
 - accelerator pedal adjustment 16-3
 - brake adjustment 16-3
 - brake pedal adjustment 16-3
 - brake pedal tension 16-3
 - cam installation 16-3
 - clutch alignment 16-3
 - drive clutch holder 16-3
 - governor shaft installation 16-5
 - steering column bearing press 16-5
 - steering column retaining ring 16-5
 - steering wheel puller 16-7
 - transaxle axle seal 16-7
 - transaxle pinion seal 16-7
 - transmission 16-7
 - tool kit, clutch 16-3
 - touch-up paint 16-7
 - tow/run switch 12-21
 - transaxle 14-3
 - transaxle axle seal tool 16-7
 - transaxle pinion seal tool 16-7
 - transaxle, unitized 11-3
- transformer 15-3, 15-5, 15-7, 15-9, 15-11, 15-13
 - transmission tool 16-7
 - trim
 - front body 1-3
 - seat bottom 1-25, 1-27
 - side bumper guard 1-3
 - tube
 - 7 mm (flywheel) 7-17
 - axle 11-7, 14-3
 - crankcase vent 8-9
 - oil filler 7-3, 7-15
 - tune-up kit 16-7
 - turn signal lens 6-17, 12-37
- ## U
- unitized transaxle 11-3
 - upper pinion bearing 5-5
 - urethane bushing 1-35, 5-7, 5-9, 5-11, 5-13, 5-15, 5-17
- ## V
- valve 7-21
 - choke 8-13, 8-15
 - exhaust 7-9, 7-21
 - fuel pickup tube 8-3
 - intake 7-9, 7-21
 - oil 7-9
 - stem 2-3, 2-5
 - valve clearance adjuster screw 16-7
 - valve guide 7-9, 7-21
 - valve guide reamer 16-7
 - valve seal 7-9, 7-21
 - valve seat 7-7
 - valve seat cutter 16-7
 - valve seat cutter guide 16-7
 - valve seat t-wrench 16-7
 - valve spring compressor 16-7
 - valve spring retainer 7-9
 - valve spring, engine 7-9, 7-21
 - vehicle care kit 16-7
 - vent barb 8-3
 - vent line 8-3, 8-9
 - vent, fuel tank 8-3
 - volt ohm meter 16-7
 - voltage limiter 6-17, 12-43
 - voltage regulator 6-7, 6-15
 - voltage suppressor 6-13, 12-31, 12-35, 12-37, 12-51, 12-55
- ## W
- warning light, battery 12-3, 12-39
 - warning light, low oil 6-9
 - washer
 - key switch 6-9, 6-19, 12-3
 - kingpin wave 5-9, 5-13

INDEX

mounting 10-3, 10-5
nylon flat 6-3
spring 11-5
thrust (transaxle) 11-5
wedge (steering column) 5-3
wedge, bearing puller 16-3
weight, counterbalance 7-13, 7-25
weight, drive clutch 10-3
weldment, armrest 1-21
weldment, press 16-3
wheel rim 2-3, 2-5
wheel, steering 5-3
wiper switch 12-5
wire and terminal 12-25, 12-43
wire assembly
 battery charger 15-3, 15-5, 15-7, 15-9,
 15-11, 15-13
 fe290 engine 7-3
 fe350 engine 7-15
 forward/reverse switch 12-21
 IQDM port 12-21
 multi-step potentiometer 12-5
 sense lead 12-23, 12-45
 starter/generator 6-27
wire clamp 7-5
wire harness
 gasoline 6-5, 6-13
 headlight 6-17, 12-37
 IQ System 12-19
 lighting 12-31, 12-35, 12-51, 12-55
 power 12-31, 12-35, 12-51, 12-55
 PowerDrive System 48 12-7, 12-11
wire latch 8-13, 8-15
wire terminal 12-17
wire tie 5-5, 6-17, 8-15, 12-5, 12-21, 12-25,
 12-37, 12-41, 12-43
wire, jumper 15-9
wire, lead 7-5, 7-17
wood insert 1-9
woodruff key 6-25, 11-3
wrench, spanner 16-5

Y

yoke spring 5-5
yoke, gear 16-5

Z

z-bracket 12-25

Your Comments Are Appreciated

Please select your category:

- | | |
|--|---|
| <input type="checkbox"/> Distributor/Dealer | <input type="checkbox"/> Technician |
| <input type="checkbox"/> Individual Owner | <input type="checkbox"/> Golf Course Superintendent |
| <input type="checkbox"/> Club Car Associate/Representative | <input type="checkbox"/> Other: _____ |

In order to help us better serve you, please rate this publication in the following categories:

	Poor	Fair	Average	Good	Excellent
1. Ease of Understanding	<input type="checkbox"/>	<input type="checkbox"/>	<input type="checkbox"/>	<input type="checkbox"/>	<input type="checkbox"/>
2. Ease of Finding Information	<input type="checkbox"/>	<input type="checkbox"/>	<input type="checkbox"/>	<input type="checkbox"/>	<input type="checkbox"/>
3. Clarity of Illustrations	<input type="checkbox"/>	<input type="checkbox"/>	<input type="checkbox"/>	<input type="checkbox"/>	<input type="checkbox"/>
4. Index Usability	<input type="checkbox"/>	<input type="checkbox"/>	<input type="checkbox"/>	<input type="checkbox"/>	<input type="checkbox"/>

Comments/Suggestions

Please fax a copy of this page to (706) 228-2662.

Thank You!
Club Car Technical Publication Department



Transportation and Utility Vehicles

Club Car Inc.

P.O. Box 204658

Augusta, GA 30917-4658