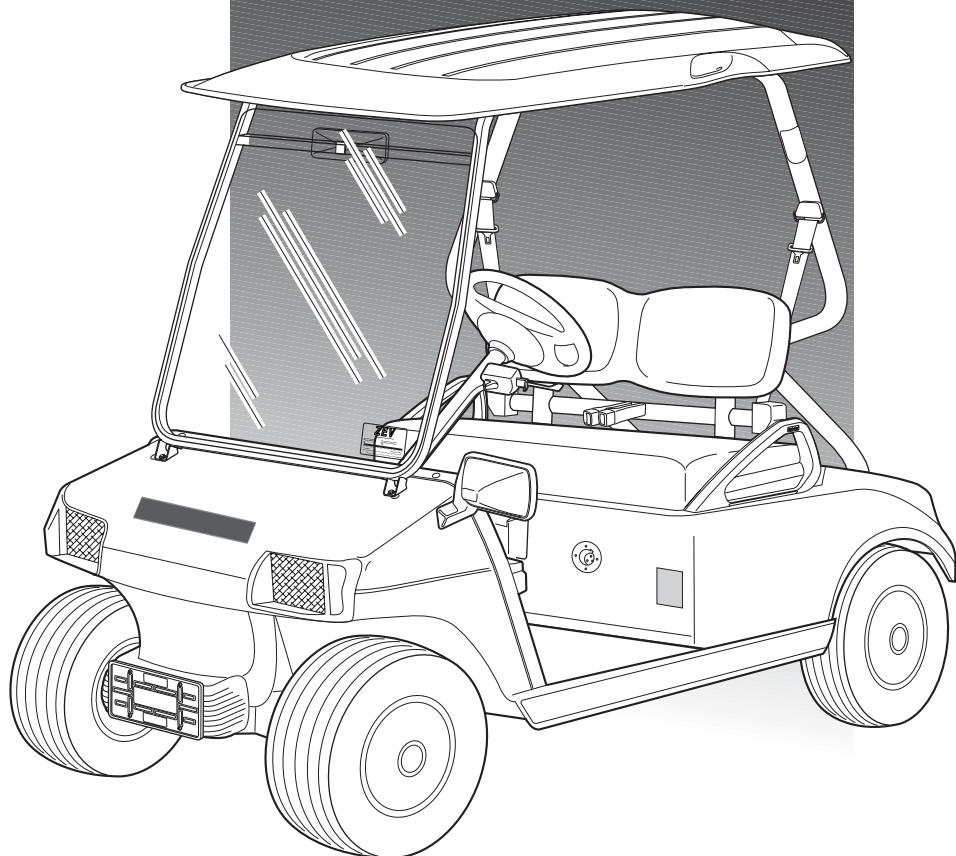




2003
ILLUSTRATED
PARTS LIST



IQ-P ELECTRIC VEHICLE

MANUAL NUMBER 102318706
EDITION CODE 1006A00000

USING THE ILLUSTRATED PARTS LIST

▲ WARNING

- **This manual is to be used only for identification and ordering of service parts. Be sure to read and use the maintenance and service manual before attempting any vehicle repairs.**

This manual covers the IQ-P electric vehicle, which was formerly the Pathway electric vehicle.

Use the Table of Contents to find the sections and pages that contain the parts and assemblies you seek. The Table of Contents lists section numbers, and under them, the individual page titles and numbers to be found in that section. The index can be used to find specific parts and assemblies. The index is divided into numerical and alphabetical listings with the page numbers in italic text.

There is a two-page spread for each individual page title in the Table of Contents. On the left-hand page is an illustration showing the parts in their relative positions; the parts are each tagged with an item number in a balloon. The right-hand page is the parts list page, and gives the page title at the top, then the item numbers (corresponding to the numbers on the illustration), part descriptions, and quantity of parts used. Some item numbers have more than one part number because several configurations of a component are represented together on one spread.

Note that a part description may be indented. This indentation corresponds to a parts assembly level indicated by the numbers 1, 2, 3, and 4 at the top left corner of the parts description area of the parts list page. A part that is indented to *level 2* is a component of the *level 1* part (assembly) that it is listed under. A *level 3* part is a component of the *level 2* part that it is listed under, and a *level 4* part is a component of the *level 3* part preceding it. In each case, the part quantity given for a level 2, 3, or 4 part *is the quantity used per next higher level assembly of which it is a component*. A part that is not indented is a *level 1* part. This means that the quantity given is the quantity used per the portion of the vehicle illustrated on that particular spread.

HOW TO ORDER PARTS

Replacement parts and accessories can be obtained from our network of authorized dealers and distributors. You can obtain the name and phone number of your closest Club Car contact by visiting our web site at www.clubcar.com and clicking on the “*Distributor Search*” link or by calling our toll-free Service Parts and Technical Assistance hotline at (800) 872-2246 or (706) 863-3000, extension 3281 or 3854.



P. O. Box 204658
Augusta, Georgia 30917-4658 USA
Telephone 706-863-3000
Service Parts Fax 706-855-7413
www.clubcar.com

NOTE: *This illustrated parts list represents the most current information at the time of publication. Club Car is continually working to further improve its vehicles and other products. These improvements may affect the parts used to service the vehicle. Any modification and/or significant change in specifications will be forwarded to all Club Car dealers and will, when applicable, appear in future editions of this illustrated parts list.*

Club Car reserves the right to change specifications and designs at any time without notice and without the obligation of making changes to units previously sold.

Copyright © 2002 Club Car, Inc.
Club Car and *ArmorFlex*
are registered trademarks of Club Car, Inc.
This manual effective March 1, 2003.

CONTENTS

SECTION 1 – BODY AND TRIM

Body Trim	1-3
Front Body	1-5
Rear Body and Fender – Electric Vehicle	1-7
Seats and Seat Handles	1-9
Canopy	1-11
Windshield	1-13
TOPS System	1-15
Seat Belts	1-17
Enclosure (Optional)	1-19

SECTION 2 – WHEELS AND TIRES

Wheels and Tires	2-3
------------------------	-----

SECTION 3 – DECALS

Decals – Part 1	3-3
Decals – Part 2	3-5
Decals – Part 3	3-7
Decals – Part 4	3-9

SECTION 4 – BRAKES, PEDAL, AND CABLE ASSEMBLIES

Rear Brake Assembly – Manually Adjusted	4-3
Brake Pedal and Cable Assembly	4-5
Front Brake Assembly – Manually Adjusted	4-7
Accelerator Pedal Assembly	4-9

SECTION 5 – STEERING, FRONT AND REAR SUSPENSION

Steering Column	5-3
Steering Gear Assembly	5-5
Front Suspension, Upper	5-7
Front Suspension, Lower	5-9
Rear Suspension	5-11

SECTION 6 – ELECTRICAL SYSTEM – ELECTRIC VEHICLE

Wiring – IQ-P: CA, MA, and VT Models	6-5
Wiring – IQ-P: New York Models	6-9
Electrical Components, Front Body	6-11

CONTENTS

Electrical Components, Rear Body	6-13
Controls and Indicators	6-15
Forward/Reverse Switch, Tow/Run Switch – IQ System Vehicle	6-17
Batteries, Charger Receptacle – IQ System Vehicle	6-19
Computer, Controller, and Solenoid – IQ System Vehicle	6-21
Motor Controller Output Regulator (MCOR)	6-23
Turn Signal Components	6-25
12-Volt Outlet Assembly	6-27
Defroster Kit	6-29
Windshield Wiper Kit (Type A)	6-31
Windshield Wiper Kit (Type B)	6-33

SECTION 7 – BATTERY CHARGER

PowerDrive 2 Battery Charger, Domestic	7-3
--	-----

SECTION 8 – MOTOR

Motor – IQ System Vehicle	8-3
---------------------------------	-----

SECTION 9 – TRANSAXLE – 10.3:1

Transaxle, Type G, 10.3:1 – Electric Vehicle	9-3
--	-----

SECTION 10 – MAINTENANCE AND SERVICE TOOLS

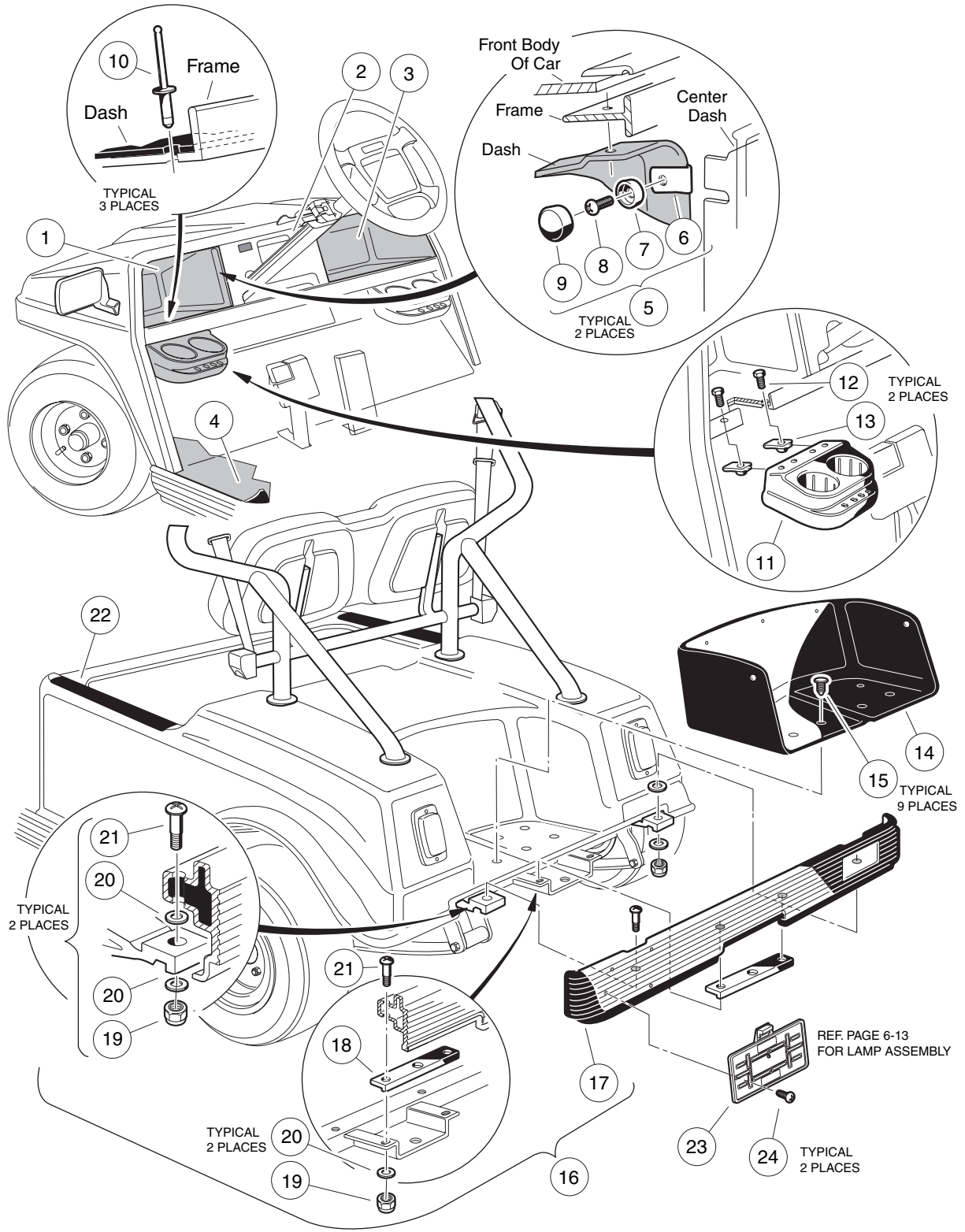
Maintenance and Service Tools	10-3
Maintenance and Service Tools, Continued	10-5
Maintenance and Service Tools, Continued	10-7
Maintenance and Service Tools, Continued	10-9
Maintenance and Service Tools, Continued	10-11

SECTION i – INDEX

BODY AND TRIM

1

E



BODY TRIM

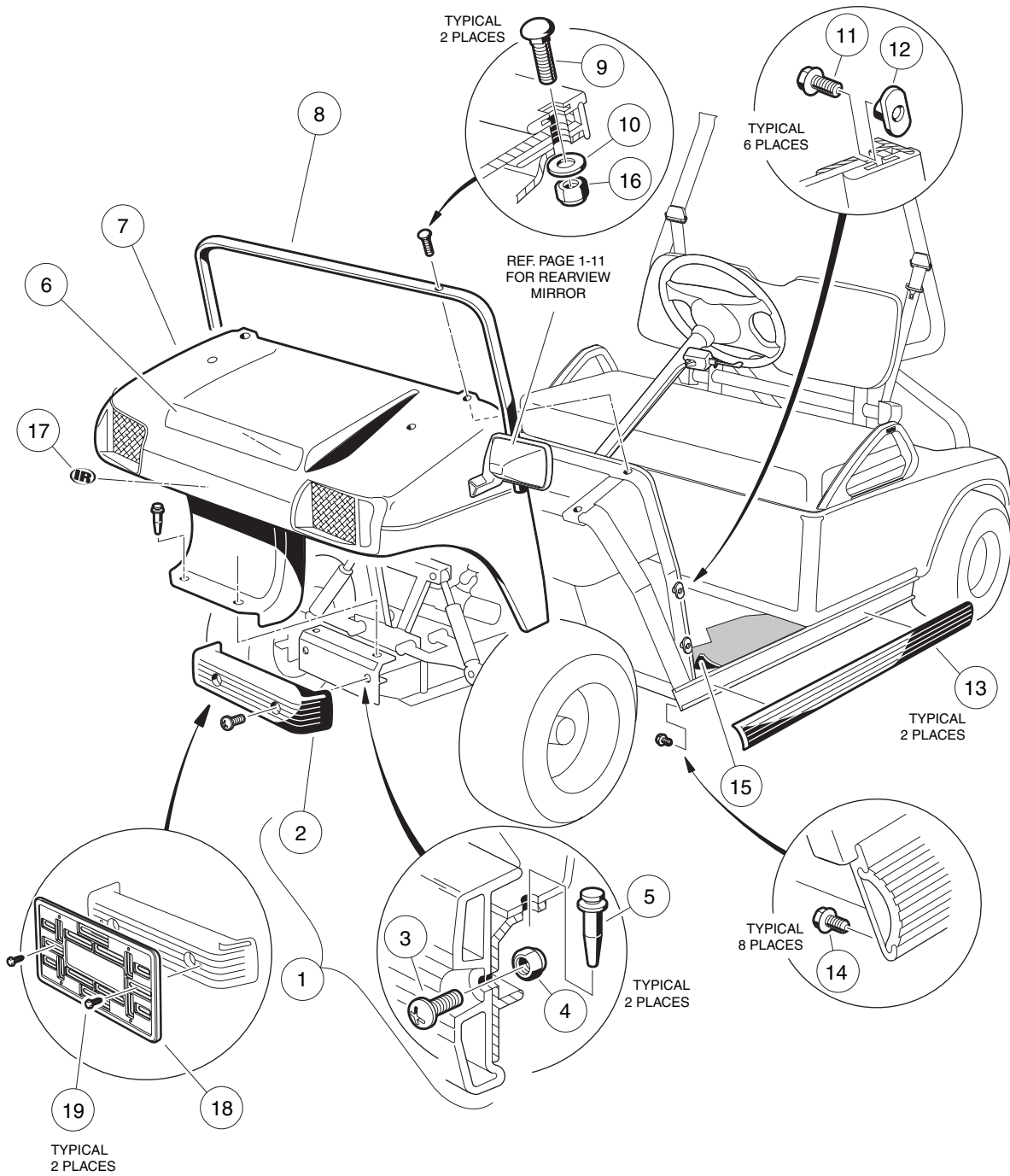
ITEM	PART NO.	DESCRIPTION	QTY
		1 2 3 4	
1	1013344	Component, Driver-Side Dash, Black	1
2	101660404	Panel, Center Dash, Black	1
3	1013343	Component, Passenger-Side Dash, Black	1
4	1015032	Mat, Floor	1
5	1014645	Kit, Snap Washer, Black (includes items 6 - 9)	2
6	1011019	Nut, Speed	1
7	1011382	Washer, #10	1
8	1620	Screw, #10 Sheet Metal	1
9	1013494	Cover, Screw-Head	1
10	7973	Rivet, Aluminum Pop, 3/16	3
11	101708301	Kit, Drink Holder (includes items 12 and 13)	2
12	7847	Screw, Hex-Head Cap, 1/4-20 x 3/4	2
13	1016952	U-Nut, 1/4-20	2
14	101768202	Kit, Bagwell Protector (includes item 15)	1
15	1010434	Fastener, Plastic Barrel	9
16	1017079	Kit, Rear Bumper (includes items 17 - 21)	1
17	1016379	Bumper, Rear	1
18	1016875	Plate, Mounting, Long	1
19	7473	Nut, Nylon Lock, 5/16-18	4
20	1011697	Washer, Special, 5/16	6
21	1016876	Bolt, Phillips Truss-Head Shoulder, 3/8-18 x 2	4
22	102221201	Pad, Wear	2
23	102311601	License Plate Holder, Rear (includes lamp assembly)	1
24	101856101	Screw, Hex Washer-Head Hi-Lo, 1/4-15 x 1/2 inch	2
25	102327601	Cargo Net (not shown)	1

1

E

1

E

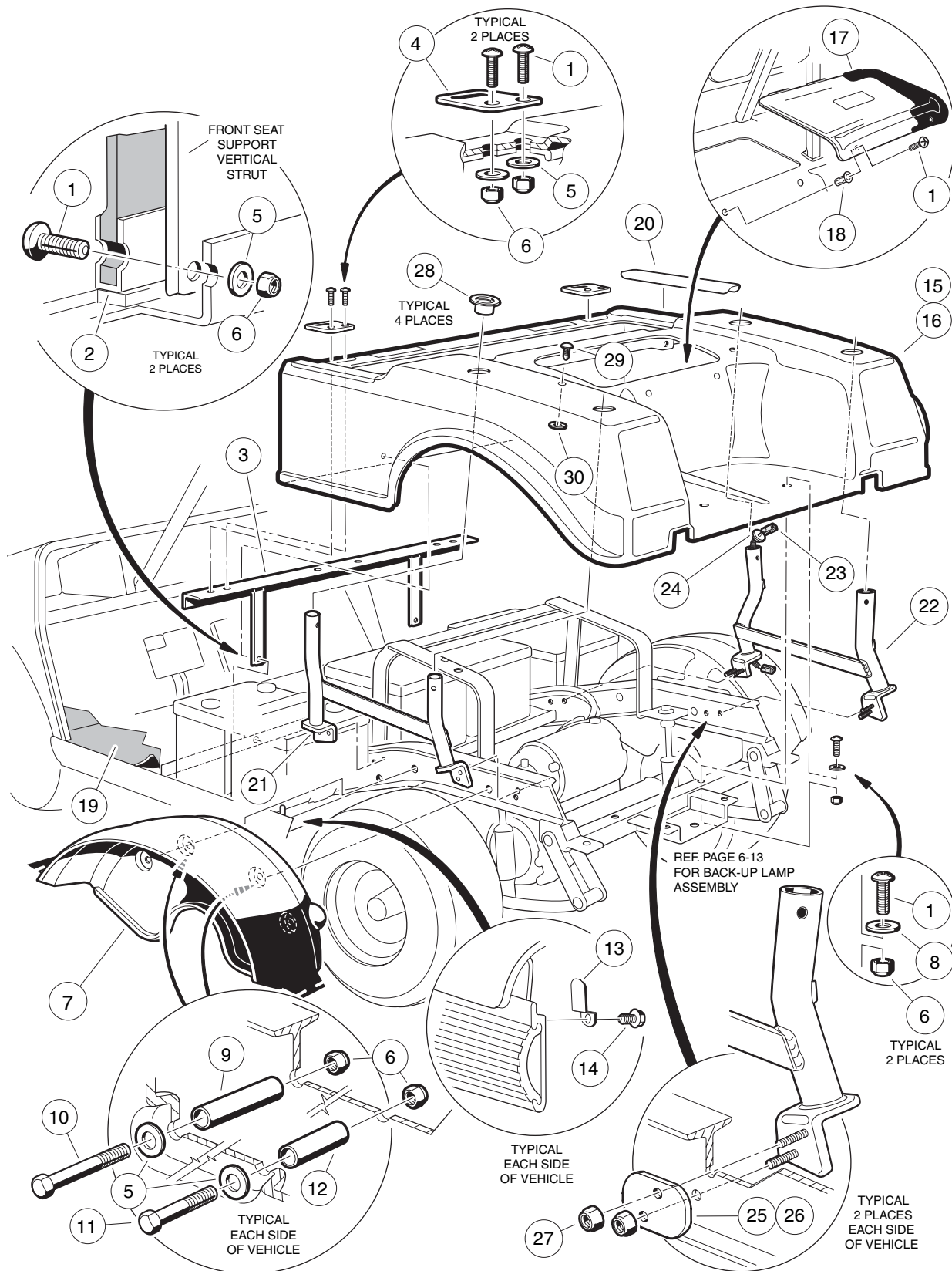


FRONT BODY

ITEM	PART NO.	DESCRIPTION	QTY
		1 2 3 4	
1	1017080	Kit, Front Bumper (includes items 2 - 5)	1
2	1016868	Bumper, Front	1
3	7251	Screw, Phillips Truss-Head, 5/16-18 x 1	2
4	7473	Nut, Nylon Lock, 5/16-18	2
5	1016967	Rivet, Push Type Blind	2
6	1014198	Nameplate Kit – Gold	1
7	101693901	Body, Front with Headlight Opening – Beige	1
8	1011014	Trim, Front Body	1
9	1010435	Bolt, Carriage, 5/16-18 x 1	2
10	1241	Washer, Flat, 5/16	2
11	1011017	Screw, Flange Lock	6
12	1011394	T-Nut, Slab Base (package of 4)	1
13	1013983	Bumper, Side Guard Trim	2
14	102310701	Screw, Hex Washer-Head, #8-18 x 3/8	8
15	1015032	Mat, Floor	1
16	7473	Nut, Nylon Lock, 5/16-18	2
17	N/A	Emblem, IR, Golf Car	1
18	102311501	License Plate Holder, Front	1
19	101856101	Screw, Hex Washer-Head Hi-Lo, 1/4-15 x 1/2 inch	2

1

E



REAR BODY AND FENDER – ELECTRIC VEHICLE

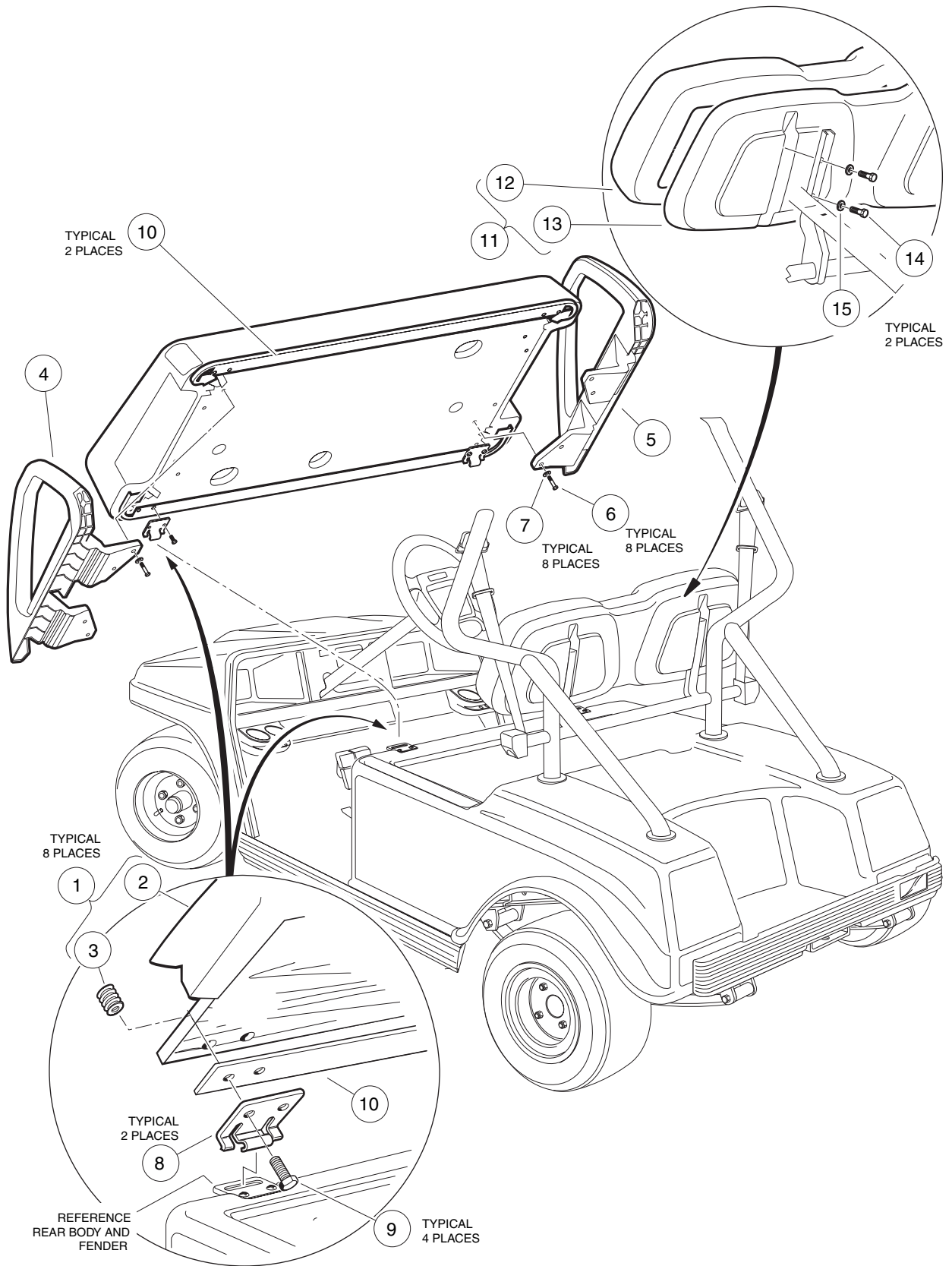
ITEM	PART NO.	DESCRIPTION	QTY
		1 2 3 4	
1	8251	Screw, Phillips-Head, 1/4-20 x 1	10
2	101904101	Plate, Body Kick	1
3	1017141	Support, Front Body	1
4	1012412	Plate, Body Hinge	2
5	332	Washer, Flat, 1/4	10
6	8233	Nut, Nylon Lock, 1/4-20	12
7	1017936	Fender, Inner	2
8	1014306	Washer, Flat, Type B, 1/4	2
9	1017814	Spacer, 1-7/8	2
10	1012159	Screw, Hex-Head Cap, 1/4-20 x 2-3/4	2
11	7479	Screw, Hex-Head Cap, 1/4-20 x 1-1/4	2
12	1017815	Spacer, 1/2	2
13	1017748	Clip, Body Keeper	2
14	1012047	Screw, Self-Tapping, #8-32	2
15	****	Body with RECTANGULAR Taillight Opening – Beige*	1
16	****	Body with ROUND Taillight Opening – Beige*	1
17	1013032	Door, Access – Black	1
18	1015525	Nut, Blind, 1/4-20	2
19	1015032	Mat, Floor	1
20	102221201	Pad, Wear	2
21	102319101	H-Bracket, Left-Hand	1
22	102319501	H-Bracket, Right-Hand (includes items 23 and 24)	1
23	102318501	Wire Harness, Lower, Brake Light Center High-Mount	1
24	N/A	Bushing, Rubber	1
25	102322301	Plate, Backing, Front, H-Bracket	2
26	102322401	Plate, Backing, Rear, H-Bracket	2
27	8754	Nut, Nylon Lock, 3/8-16	8
28	****	Grommet, Rear Body	4
29	102330301	Fastener, Ratchet	2
30	334	Washer, 3/8, Type A, Flat	2
		* Vehicles with serial number NQ0399-250010 and lower use rectangular taillights. Vehicles with serial numbers higher than NQ0399-250010 use round taillights.	
	****	Special order item available upon request	

1

E

1

E



SEATS AND SEAT HANDLES

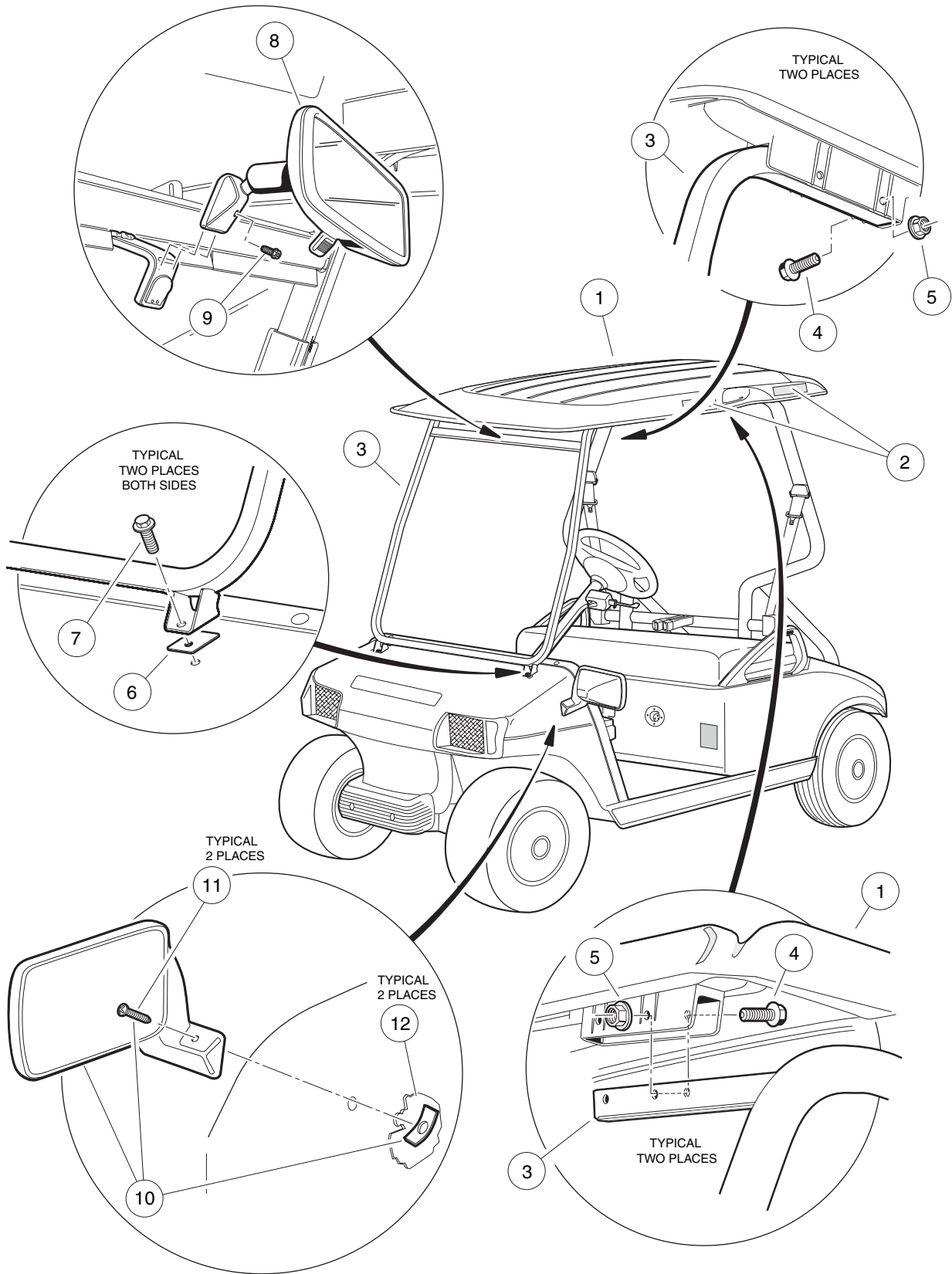
ITEM	PART NO.	DESCRIPTION	QTY
		1 2 3 4	
1	102174201	Assembly, Seat Bottom – Buff (includes items 2 and 3)	1
2	101998201	Cover, Vinyl Seat Bottom – Buff	1
3	1010543	Insert, Wood	12
4	101987601	Seat Handle, Driver-Side	1
5	101985501	Seat Handle, Passenger-Side	1
6	1016916	Screw, Hex-Head Cap, 1/4-20 x 1-1/2	8
7	332	Washer, Flat, Type A	8
8	1011652	Plate, Seat Hinge, Stainless Steel	2
9	101954301	Screw, Hex-Head Cap, 1/4-20 x 3/4 (with patch)	4
10	101998501	Gasket, Seat	2
11	102238301	Assembly, Seat Back – Buff (includes items 12 and 13)	1
12	102060501	Cover, Vinyl, Seat Back – Buff	1
13	102237001	Cap, Seat Back – Black	1
14	102324801	Screw, Hex-Head Cap, 1/4-20 x 1	4
15	102324901	Washer, Flat, 1/4	4

1

E

1

E



CANOPY

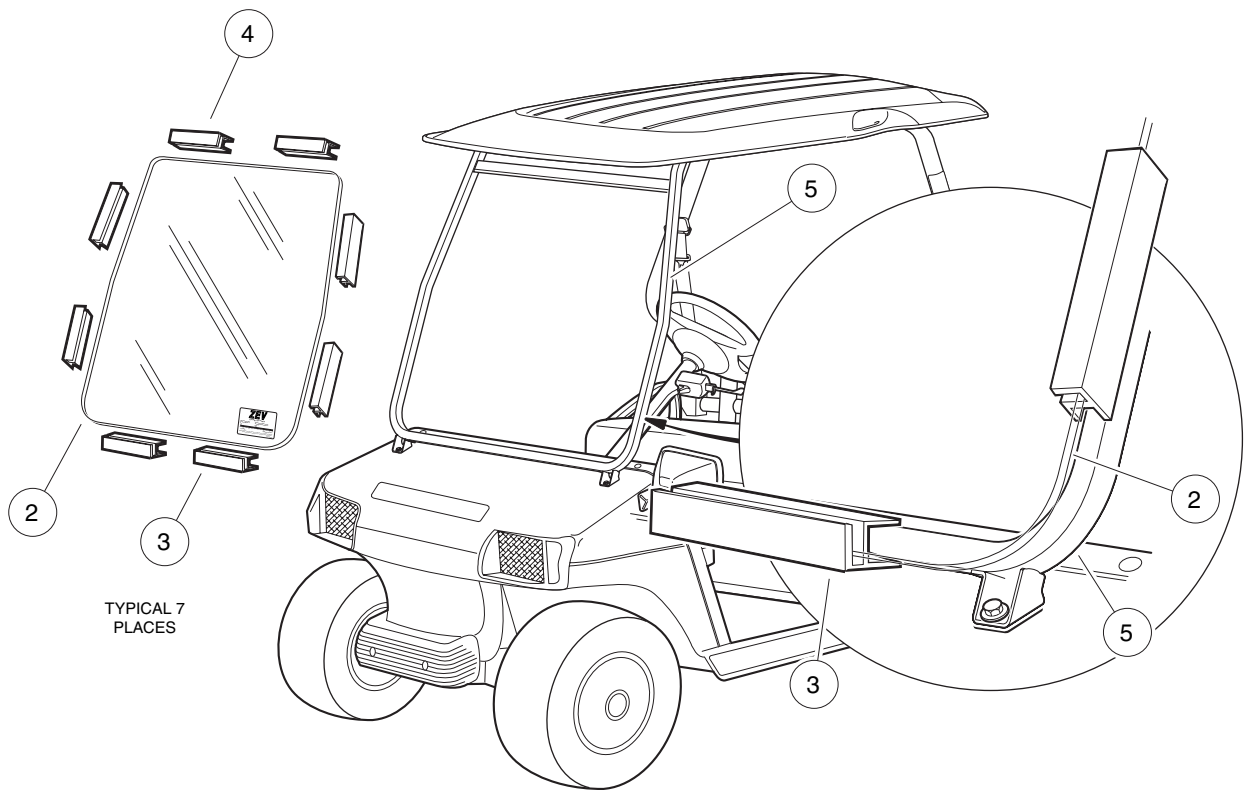
ITEM	PART NO.	DESCRIPTION	QTY
		1 2 3 4	
1	102319601	Canopy – Beige, with Reflective Tape	1
2	102312201	Reflective Tape, 24 Inch Strip (Field Cut to 6 inches)	1
3	102318101	Frame, Windshield	1
4	102076701	Screw, SEMS, 1/4-20 x 1-3/4	8
5	101835601	Nut, Flange, 1/4-20	8
6	102198301	Pad, Mounting (windshield frame)	2
7	102099101	Screw, SEMS (with patch) 5/16-18 x 1	2
8	102318301	Mirror, Rearview (includes item 8)	1
9	N/A	Set Screw, Rearview Mirror	1
10	1011524	Kit, Rearview Side Mirror (includes items 10 and 11)	1
11	1015528	Screw, Oval Countersink Machine Head, #10-16 x 1.25	2
12	1011627	Nut, Speed, #10	2

1

E

1

E



WINDSHIELD

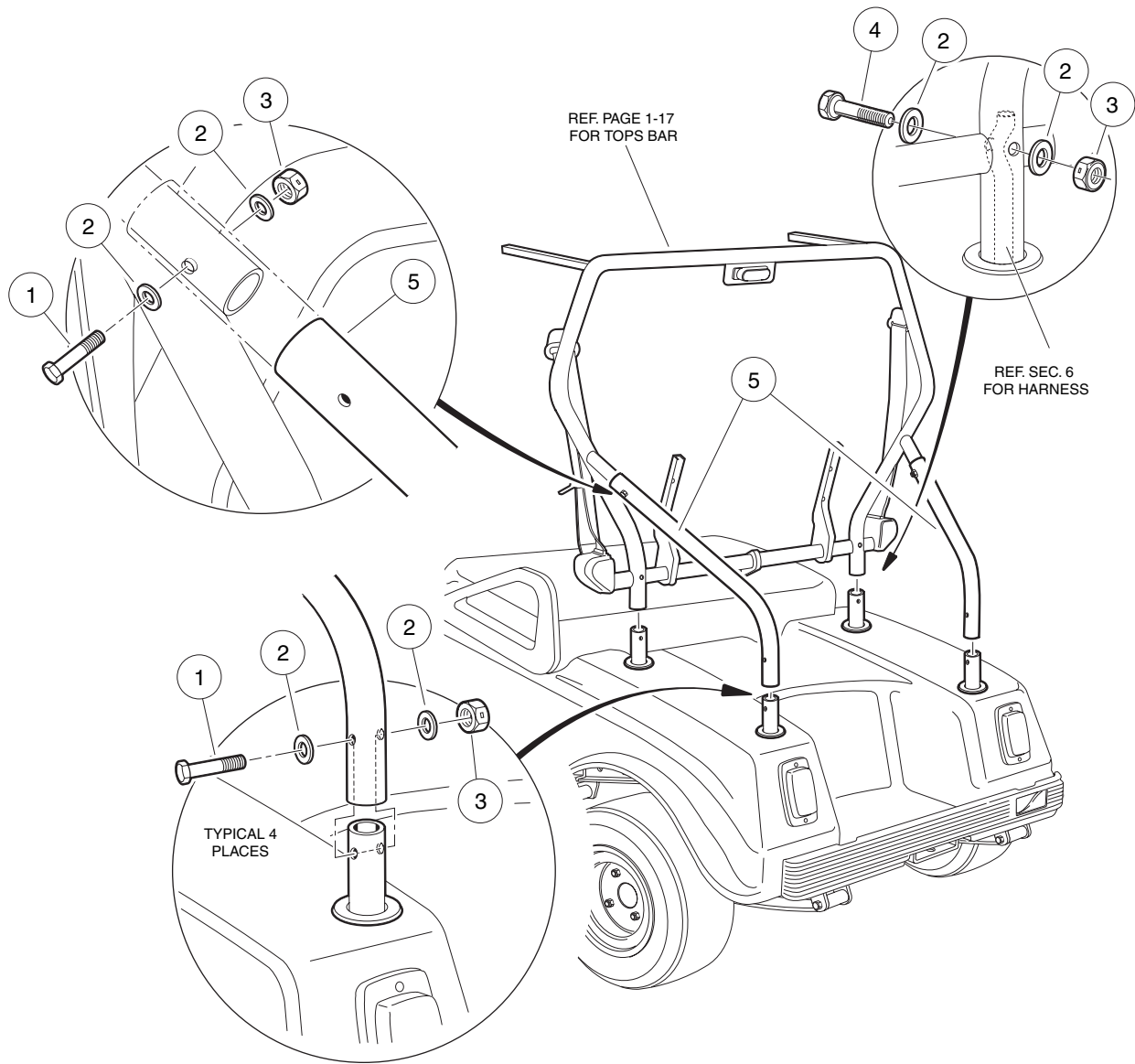
ITEM	PART NO.	DESCRIPTION	QTY
		1 2 3 4	
1	102329601	Windshield Assembly (Includes Items 2-5)	1
2	N/A	Windshield	1
3	102163001	Channel, Windshield	7
4	102325401	Channel, Windshield (passenger-side)	1
5	102318101	Frame, Windshield	1

1

E

1

E



TOPS SYSTEM

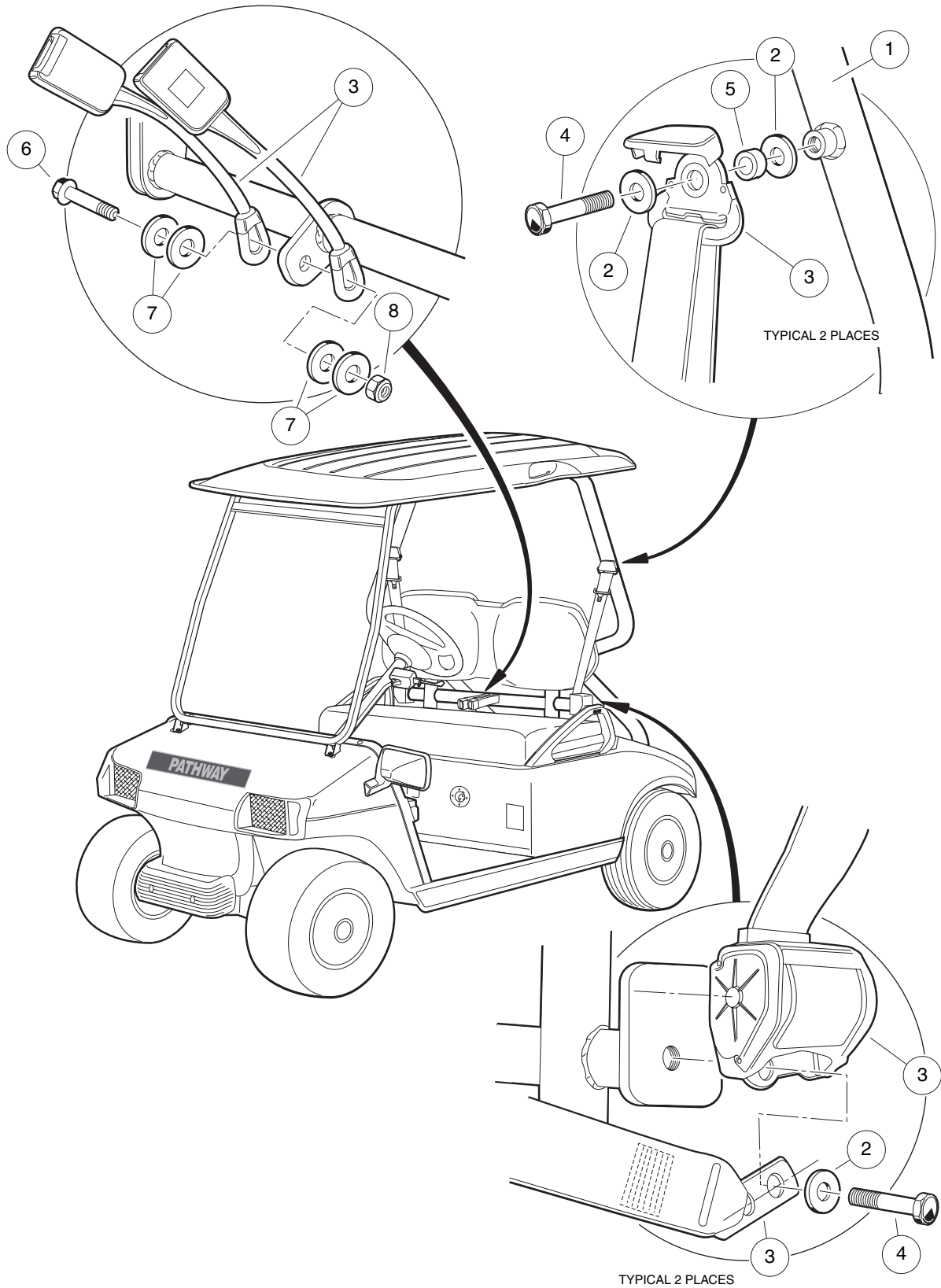
ITEM	PART NO.	DESCRIPTION	QTY
		1 2 3 4	
1	102323701	Screw, Hex-Head Cap, 3/8-16 x 2	4
2	102323501	Washer, Flat, 3/8	12
3	102323401	Nut, Dimpled Lock, 3/8-16	6
4	102323801	Screw, Hex-Head Cap, 3/8-16 x 2-3/4	2
5	102320701	Tube, Gusset, Rear	2

1

E

1

E



SEAT BELTS

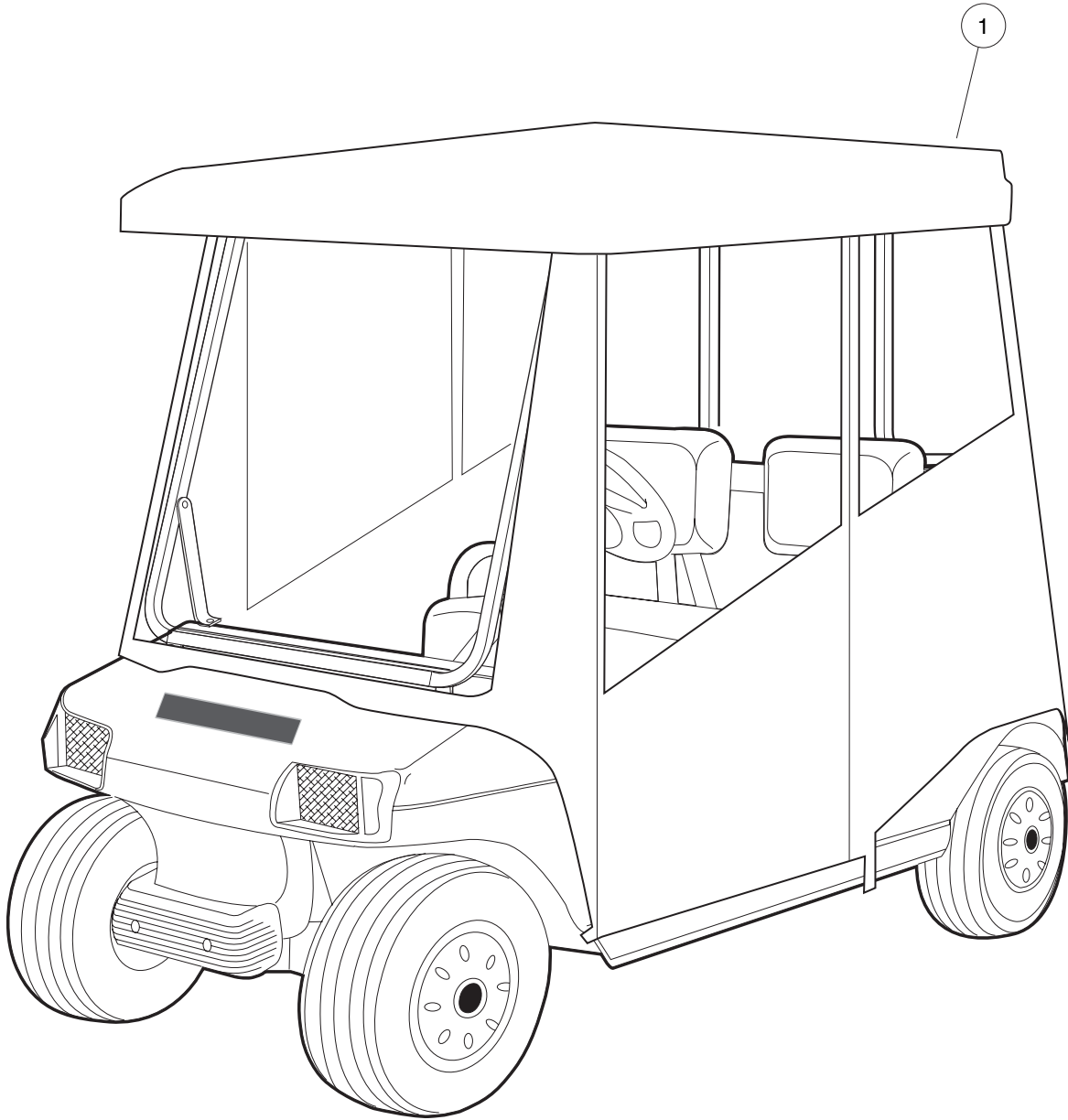
ITEM	PART NO.	DESCRIPTION	QTY
		1 2 3 4	
	****	TOPS Bar and Seatbelt Assembly (includes items 1-12)	1
1	N/A	TOPS Bar	1
2	1014557	Washer, 7/16 Flat Type A	6
3	N/A	Seatbelt and Latch Assembly	2
4	102324001	Bolt, Hex-Head, 7/16-20 x 1.5 (with patch)	4
5	102324101	Bushing, 0.56 OD x 0.46 ID	2
6	102324301	Bolt, Hex-Head, 7/16-20 x 2.25	1
7	1014557	Washer, 7/16 ID, 1.25 OD	4
8	102324401	Nut, Nylon Lock, 7/16-20	1
9	102313701	Lamp, Brake, Center (not shown)	1
10	102318401	Wire Harness, Upper, Brake Light Center High-Mount (not shown)	1
11	101942401	Receptacle, Two-Pin (not shown)	1
12	101942501	Receptacle Wedge Lock, Two-Pin (not shown)	1
	****	Special order item available upon request	

1

E

1

E



ENCLOSURE (OPTIONAL)

ITEM	PART NO.	DESCRIPTION	QTY
		1 2 3 4	
1	102163501	Enclosure, All Weather (White)	1
1	102163502	Enclosure, All Weather (Beige)	1

1

E

1

E

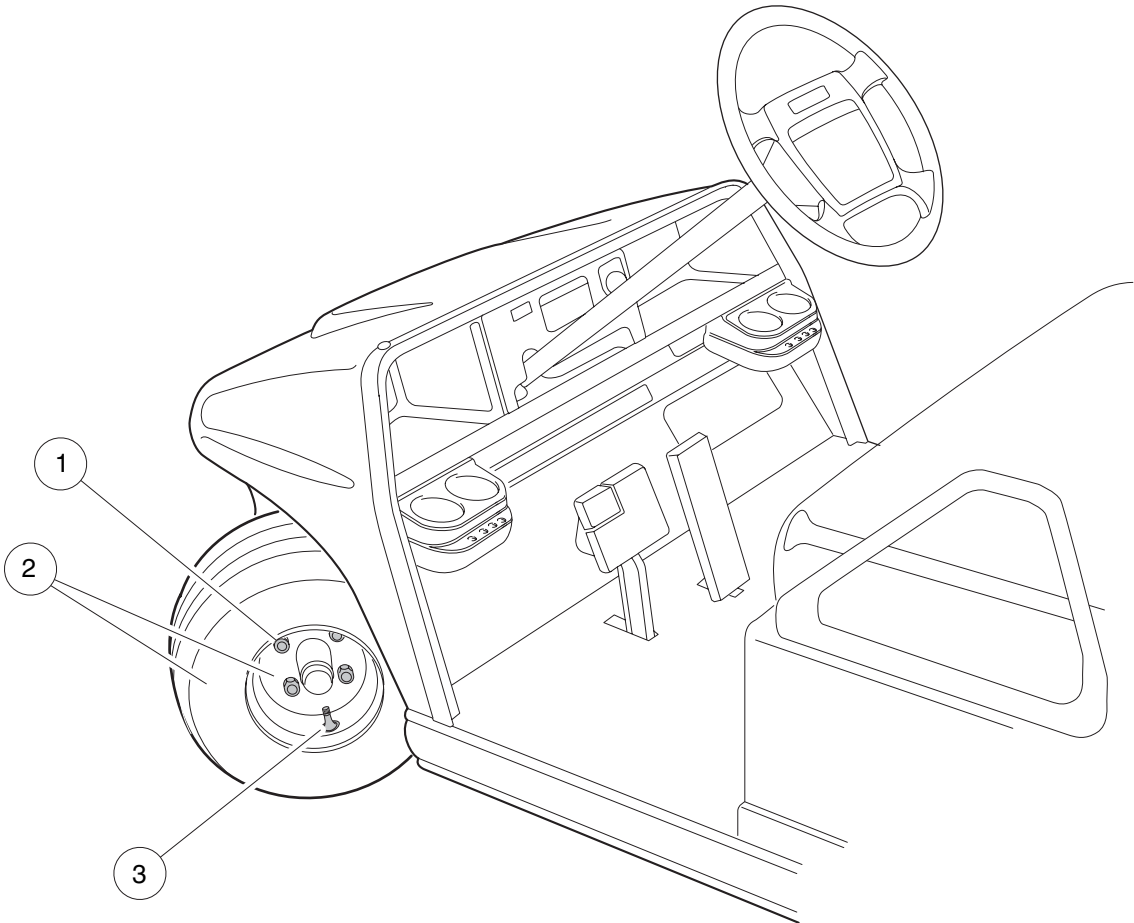
WHEELS AND TIRES

2

E

2

E



WHEELS AND TIRES

ITEM	PART NO.	DESCRIPTION	QTY
		1 2 3 4	
1	1010984	Nut, Lug	16
2	102311801	Assembly, Wheel (Beige) and DOT Approved Tire	4
	****	Tire, Standard Tread (18 x 8.50 - 8)	1
3	7310	Stem, Valve	4
	****	Special order item available upon request	

2

E

2

E

DECALS

3

E

3

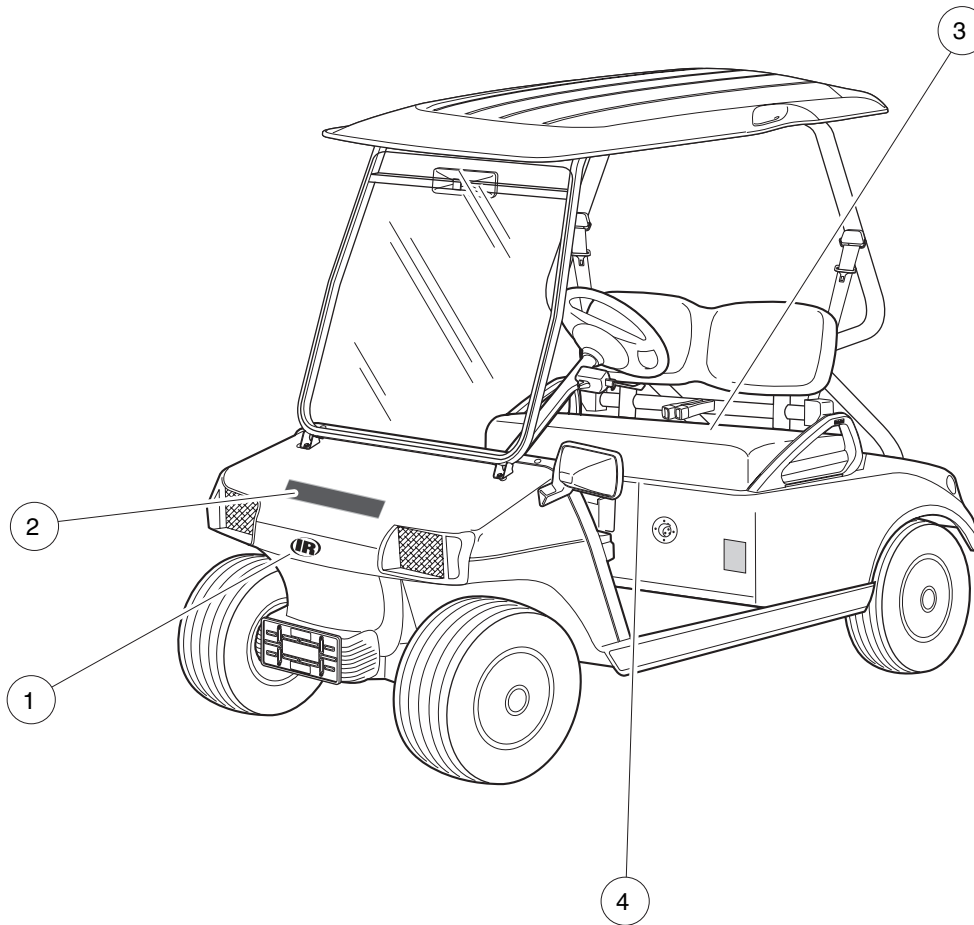
E

**ELECTRICAL COMPONENT DECAL
(ON SPEED CONTROLLER COVER)**

NOTICE

Do not operate vehicle without this cover properly installed.
Do not direct water stream in this area; will cause damage to components.

CCI 101931501



**TOW/RUN SWITCH WARNING DECAL
(ON TOW/RUN SWITCH BRACKET UNDER SEAT)**

⚠ WARNING TOW RUN

Place Tow/Run switch in TOW position before:

- Disconnecting or connecting batteries
- Towing
- Extended storage
- Servicing

FAILURE TO HEED THIS WARNING COULD RESULT IN A BATTERY EXPLOSION

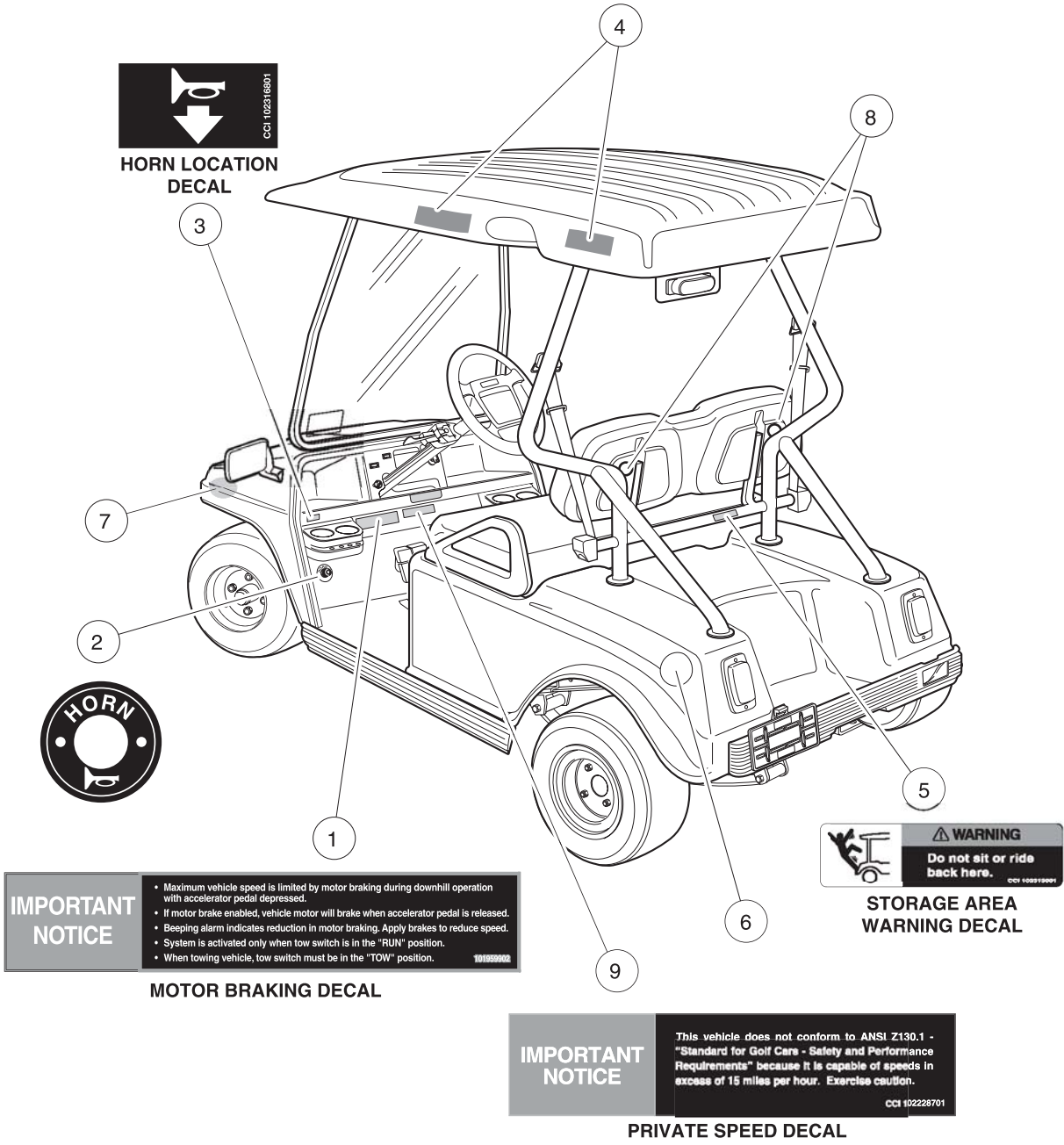
CCI 101908601

DECALS – PART 1

ITEM	PART NO.	DESCRIPTION	QTY
		1 2 3 4	
1	N/A	Emblem, IR	1
2	1014198	Nameplate Kit – Gold (Club Car)	1
3	101931501	Decal, Electrical Component Cover	1
4	101908601	Decal, Tow/Run Switch	1

3

E



HORN LOCATION DECAL



IMPORTANT NOTICE

- Maximum vehicle speed is limited by motor braking during downhill operation with accelerator pedal depressed.
- If motor brake enabled, vehicle motor will brake when accelerator pedal is released.
- Beeping alarm indicates reduction in motor braking. Apply brakes to reduce speed.
- System is activated only when low switch is in the "RUN" position.
- When towing vehicle, tow switch must be in the "TOW" position.

101999002

MOTOR BRAKING DECAL



STORAGE AREA WARNING DECAL

IMPORTANT NOTICE

This vehicle does not conform to ANSI Z130.1 - "Standard for Golf Cars - Safety and Performance Requirements" because it is capable of speeds in excess of 15 miles per hour. Exercise caution.

CCI 102228701

PRIVATE SPEED DECAL

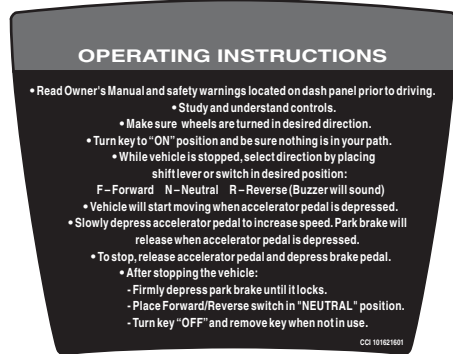
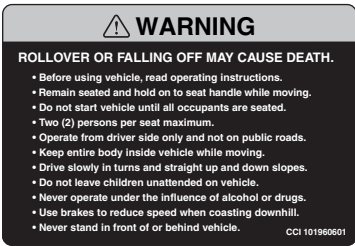
DECALS – PART 2

ITEM	PART NO.	DESCRIPTION	QTY
		1 2 3 4	
1	101959902	Decal, Motor Braking	1
2	102175401	Bezel, Horn	1
3	102316801	Decal, Horn Location	1
4	102312201	Reflective Tape, 24 Inch Strip (Field Cut to 6 inches)	4
5	102313001	Decal, Storage Area	1
6	102318201	Decal, Reflective (round, red) (CA, MA, and VT vehicles only)	2
7	102332501	Decal, Reflective (round, amber) (NY vehicles only)	2
8	102322901	Reflector, Round	2
9	102228701	Decal, Private Speed	1

3

E

OPERATING INSTRUCTIONS DECAL

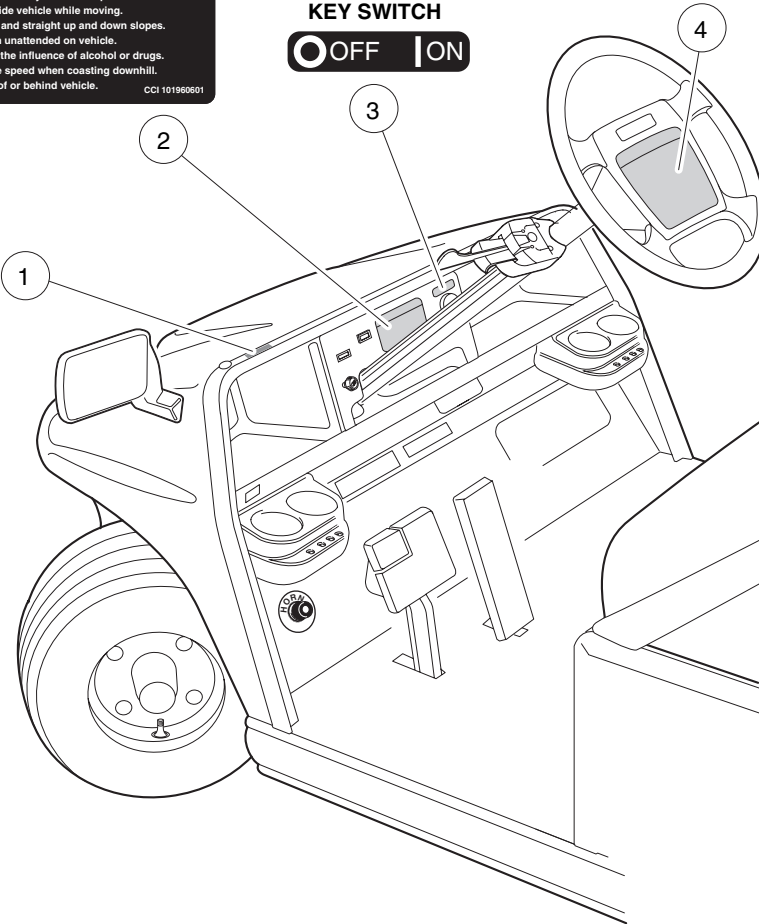


KEY SWITCH



WARNING DECAL

VIN LABEL



Note: Canopy and windshield omitted from this illustration for clarity.

DECALS – PART 3

ITEM	PART NO.	DESCRIPTION	QTY
		1 2 3 4	
1	N/A	Label, VIN (Vehicle Identification Number)	1
2	101960601	Decal, Dash Warning	1
3	101825101	Decal, Key Switch	1
4	101621601	Decal, Operating Instructions	1

3

E

CAUTION

EXCESSIVE DISCHARGE OF VEHICLE BATTERIES CAN OCCUR

- Power outlet output: 12 volts DC nominal, 6.5 amps maximum.
- Not for continuous use.
- Do not use power outlet while charging vehicle batteries.
- 19 volts DC maximum while vehicle batteries are charging.

AM10425



	<p>WARNING</p> <ul style="list-style-type: none">• Do not sit or ride on back of vehicle or in cargo area.• Maximum cargo load: 150 lb. (68 kg).	
---	--	---

CCI 102339301

DECALS – PART 4

ITEM	PART NO.	DESCRIPTION	QTY
		1 2 3 4	
1	AM10425	Decal, Battery Discharge Caution (Vehicles with 12-Volt Port Only)	1
2	102339301	Decal, Box Bed (Vehicles with Box Bed Only)	1

3

E

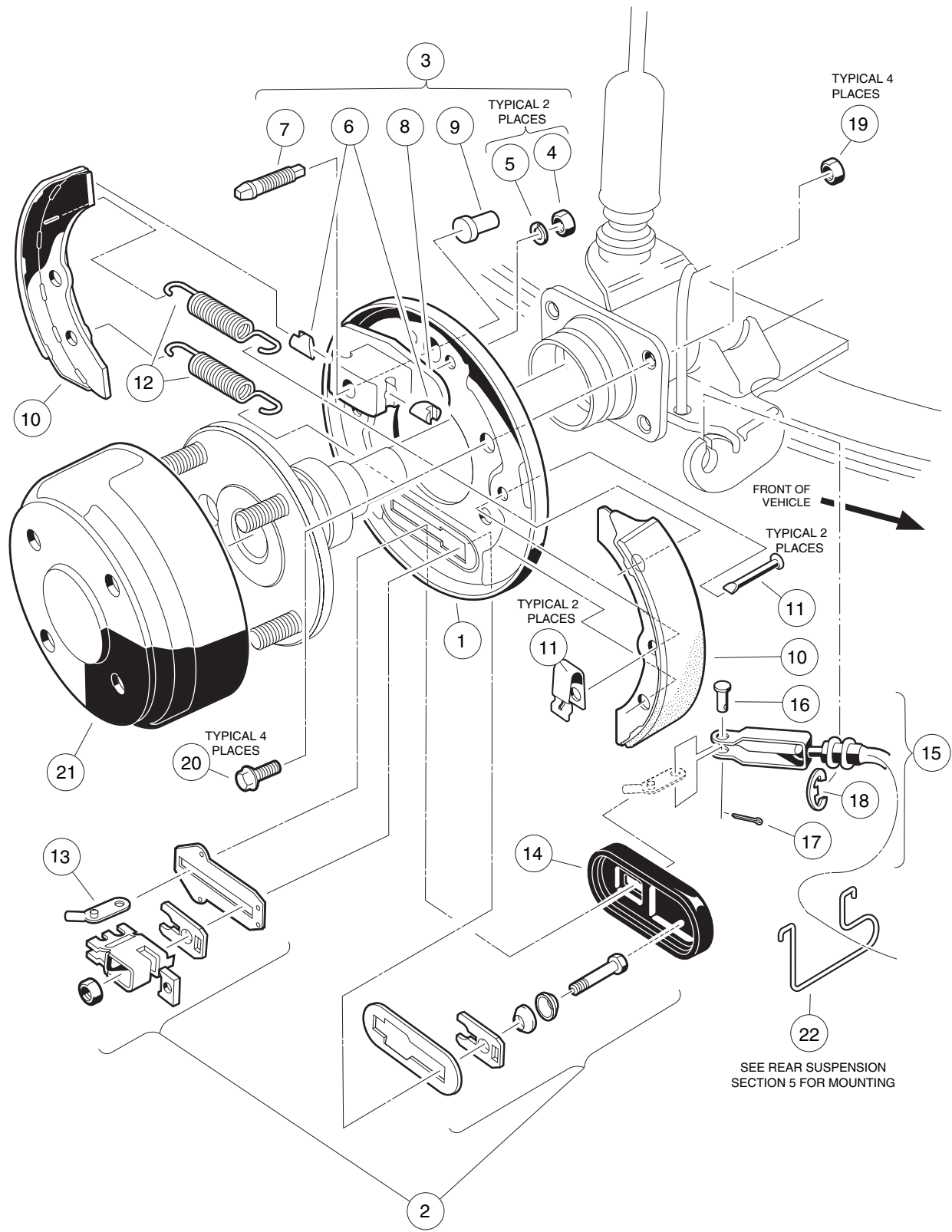
3

E

BRAKES, PEDAL, AND CABLE ASSEMBLIES

4

E



REAR BRAKE ASSEMBLY – MANUALLY ADJUSTED

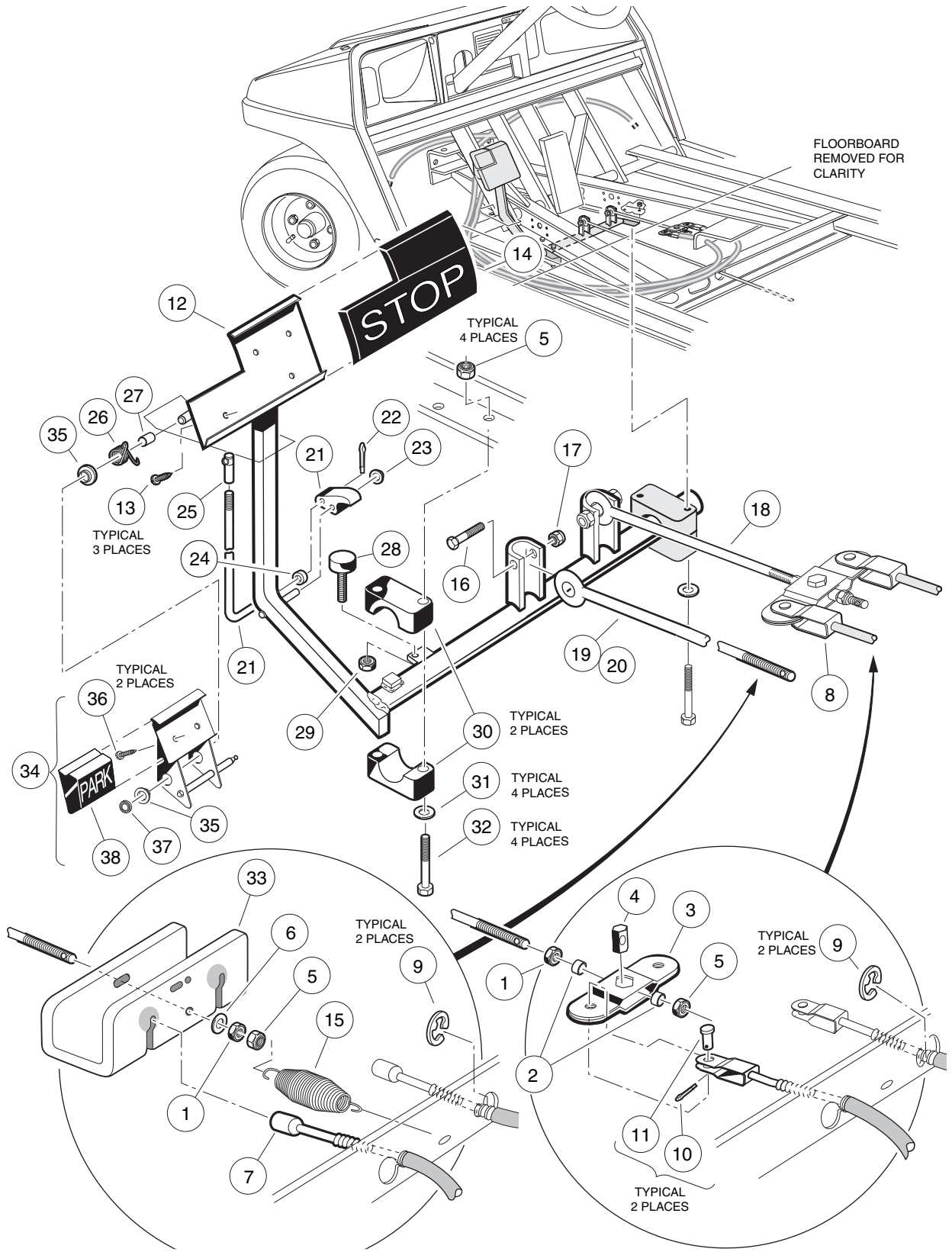
ITEM	PART NO.	DESCRIPTION	QTY
		1 2 3 4	
	1016573	Cluster, Brake, Passenger-Side, without Brake Drum (includes items 1 - 14)	1
	1016557	Cluster, Brake, Driver-Side, without Brake Drum (includes items 1 - 14)	1
1	1011494	Plate, Backing, Driver-Side	1
1	1011154	Plate, Backing, Passenger-Side	1
2	1011465	Kit, Brake Actuator	1
3	1011467	Kit, Anchor Body (includes items 4 - 9)	1
4	1011114	Nut, M6 x 1	2
5	451	Washer, Lock, 1/4	2
6	N/A	Piston, Anchor	2
7	N/A	Bolt, Adjustment	1
8	N/A	Body, Anchor	1
9	1011303	Cap, Adjustment Bolt	1
10	101146302	Package, Brake Shoe (four pieces)	1
11	1011466	Kit, Shoe Retainer (four pieces)	1
12	1011464	Package, Brake Spring (four pieces)	1
13	N/A	Arm, Brake Lever	1
14	1010850	Cover, Dust	1
15	102022101	Kit, Brake Cable (includes one each of items 16 and 17 and two each of item 18)	2
16	1010829	Pin, Clevis, 5/16	2
17	1035	Pin, Cotter, 3/32 x 1	2
18	1011779	E-Clip, 1/2	2
19	1013924	Nut, Cone Lock, Grade 8, 5/16-24	8
20	1014153	Bolt, Brake Cluster Mounting, Grade 8, 5/16-24 x 7/8	8
21	101791101	Drum, Brake	2
22	1013207	Hanger, Brake Cable	2

4

E

4

E



BRAKE PEDAL AND CABLE ASSEMBLY

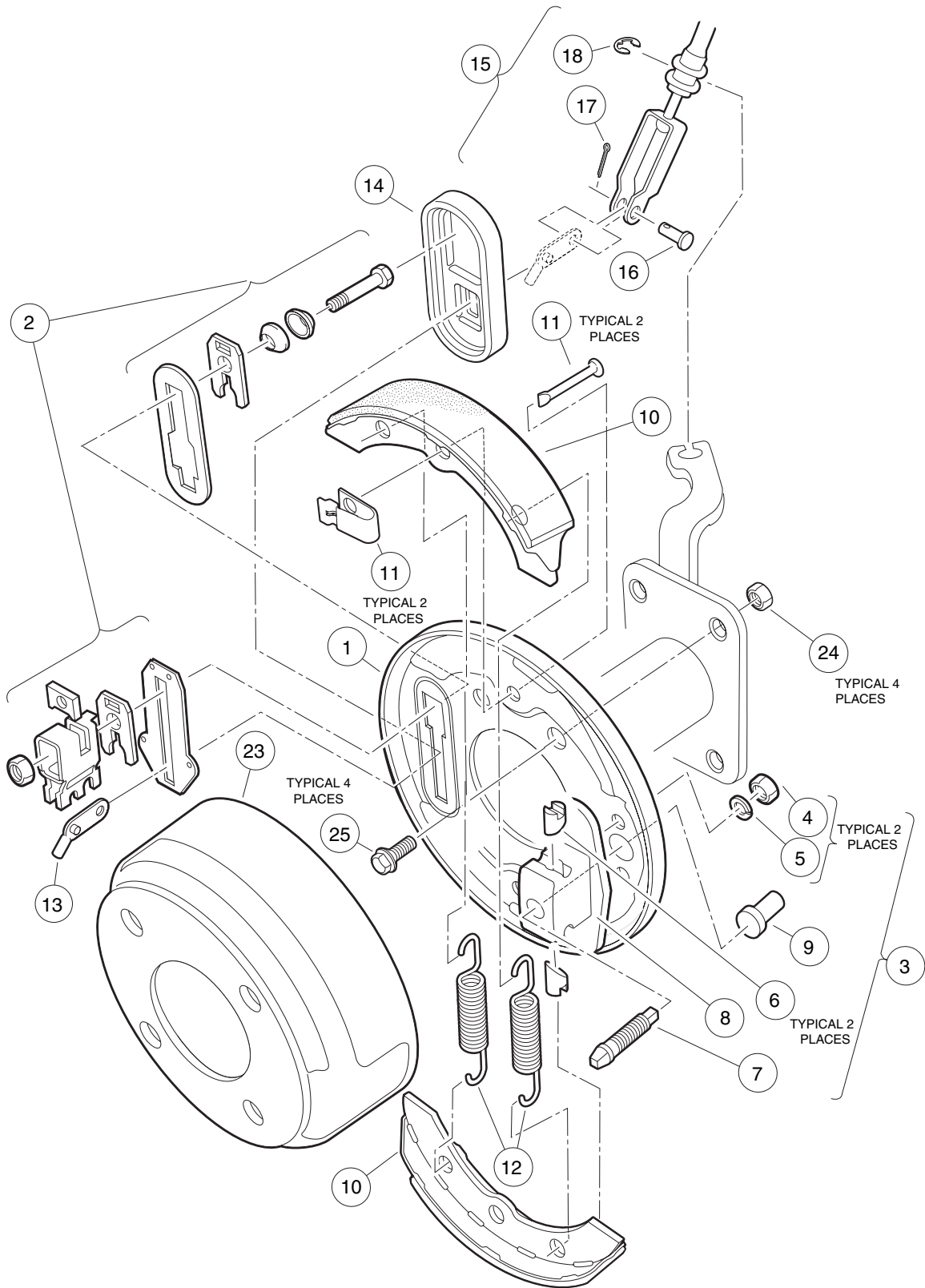
ITEM	PART NO.	DESCRIPTION	QTY
		1 2 3 4	
1	1242	Nut, Hex, 5/16-18	2
2	101865301	Spacer, Equalizer	2
3	1017211	Kit, Equalizer And Pivot Limiter (includes item 4)	1
4	N/A	Pin, Equalizer Pivot	1
5	7473	Nut, Nylon Lock, 5/16-18	5
6	1241	Washer, Flat, 5/16	1
7	102022101	Kit, Brake Cable, Rear (includes two each of item 9 and one each of items 10 and 11)	2
8	101874601	Kit, Brake Cable, Front (includes items 9 - 11)	2
9	1011779	E-Clip, 1/2	2
10	1035	Pin, Cotter, 3/32 x 1	2
11	1010829	Pin, Clevis, 5/16	2
12	101878201	Kit, Brake Pedal (includes items 13 And 14)	1
13	7716	Screw, Slotted Hex Washer-Head, #10-16 x 1/2	3
14	1013869	Pad, Brake Pedal	1
15	1013531	Spring, Brake Return	1
16	101953001	Bolt, Hex-Head Shoulder, 3/8 x 1	2
17	7473	Nut, Nylon Lock, 5/16-18	2
18	101953106	Rod, Equalizer, Front	1
19	101953102	Rod, Equalizer, Rear (Carryall 2 and 2 Plus)	1
20	101953103	Rod, Equalizer, Rear (Carryall 6)	1
	101187702	Kit, Park Brake Latch (includes items 21 - 25 below and item 22 on page 4-8 or 4-9)	1
21	N/A	Rod and Pawl	1
22	1017029	Pin, Cotter, 7/64 x 1/2	1
23	1010877	Nut, Push, 5/16	1
24	1010805	Sleeve, Park Brake Rod	1
25	1010932	Joint, Ball, 1/4-28	1
26	1010933	Spring, Park Brake Torsion	1
27	1010927	Spacer, Park Brake	1
28	1010878	Bumper, Rubber	1
29	1028	Nut, Hex, 1/4-20	1
30	1011402	Package, Brake Mounting Block (contains upper and lower for left and right sides).....	1
31	1014007	Washer, Flat, 1/4	4
32	1010921	Screw, Hex-Head Cap, 5/16-18 x 2-1/2	4
33	101990801	Equalizer	1
34	1011418	Kit, Park Brake Pedal (includes items 35 - 38)	1
35	1032	Bushing, Nylon	2
36	7716	Screw, Slotted Hex Washer-Head, #10-16 x 1/2	2
37	1013876	Nut, Push, 3/8	1
38	1013870	Pad, Park Brake	1

4

E

4

E



FRONT BRAKE ASSEMBLY – MANUALLY ADJUSTED

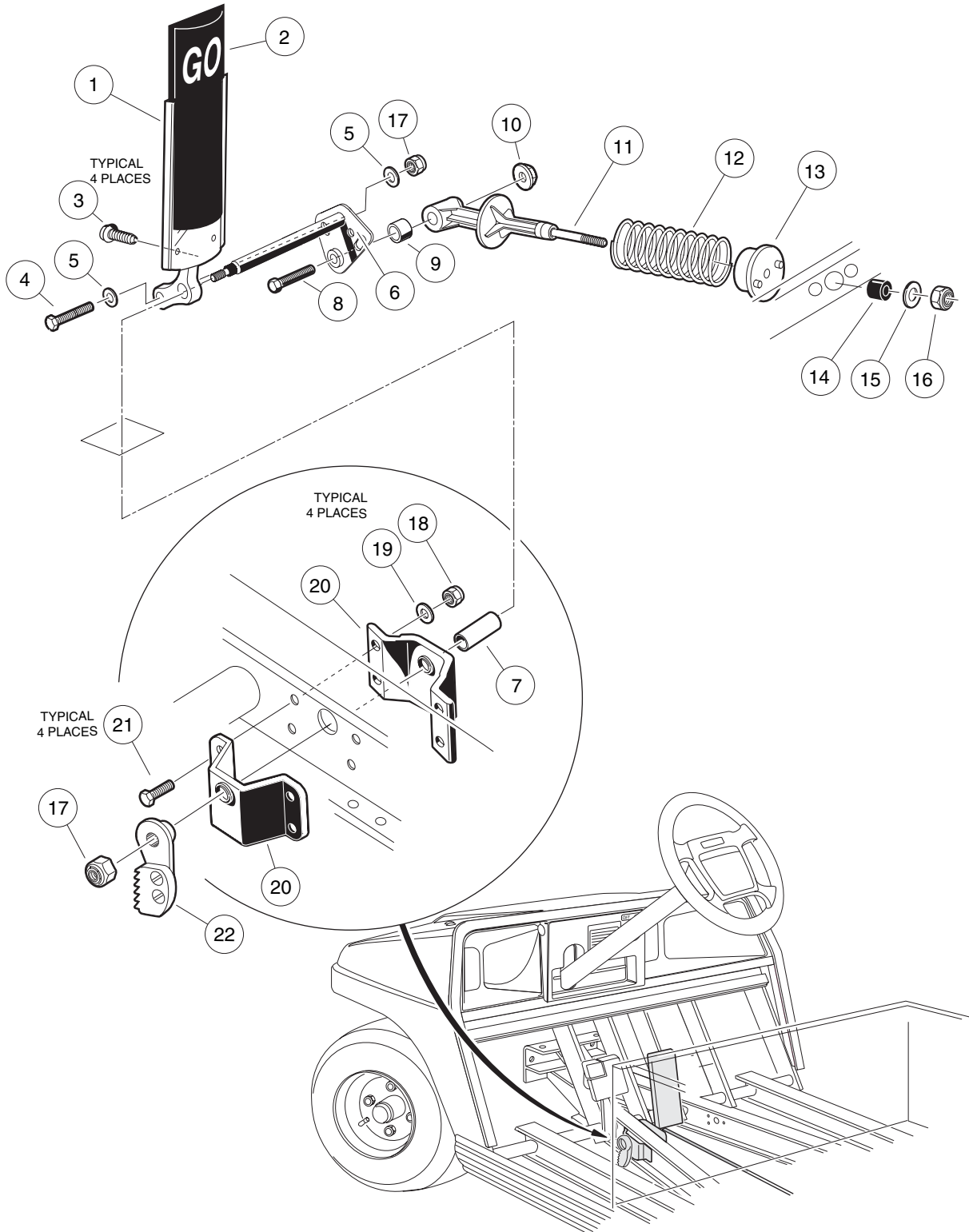
ITEM	PART NO.	DESCRIPTION	QTY
		1 2 3 4	
	1016573	Cluster, Brake, Passenger-Side, without Brake Drum (includes items 1 - 14)	1
	1016557	Cluster, Brake, Driver-Side, without Brake Drum (includes items 1 - 14)	1
1	1011154	Plate, Backing, Passenger-Side	1
1	1011494	Plate, Backing, Driver-Side	1
2	1011465	Kit, Brake Actuator	1
3	1011467	Kit, Anchor Body (includes items 4 - 9)	1
4	1011114	Nut, M6 x 1	2
5	451	Washer, Lock, 1/4	2
6	N/A	Piston, Anchor	2
7	N/A	Bolt, Adjustment	1
8	N/A	Body, Anchor	1
9	1011303	Cap, Adjustment Bolt	1
10	101146302	Package, Brake Shoe (four pieces)	1
11	1011466	Kit, Shoe Retainer (four pieces)	1
12	1011464	Package, Brake Spring (four pieces)	1
13	N/A	Arm, Brake Lever	1
14	1010850	Cover, Dust	1
15	101874601	Kit, Brake Cable, Front (includes items 16, 17 and 18)	2
16	1010829	Pin, Clevis, 5/16	2
17	1035	Pin, Cotter, 3/32 x 1	2
18	1011779	E-Clip, 1/2	2
19	101872701	Nut, Hex, 5/16-24	8
20	7174	Washer, Lock, 5/16 x 24	8
21	101869001	Washer, Cone, 5/16	8
22	1017232	Screw, Hex-Head Cap, 5/16-24 x 1	8
23	1011137	Drum, Brake	2
24	1014153	Nut, Cone Lock, Grade 8, 5/16-24	8
25	1013924	Bolt, Brake Cluster Mounting, Grade 8, 5/16-24 x 7/8	8
Note: See page 5-11 for front brake cable clamp and bracket.			

4

E

4

E



ACCELERATOR PEDAL ASSEMBLY

ITEM	PART NO.	DESCRIPTION	QTY
		1 2 3 4	
1	1017696	Sub-Assembly, Accelerator Pedal (includes items 2 and 3)	1
2	1013871	Pad, Accelerator Pedal	1
3	7716	Screw, Slotted Hex Washer-Head, #10-16 x 1/2	4
4	1624	Screw, Hex Cap, 3/8-16 x 1-1/2	1
5	334	Washer, Flat, 3/8	2
6	102026001	Kit, Accelerator Pivot Rod (includes Item 7)	1
7	1011700	Spacer	1
8	101862001	Screw, Hex-Head Cap, 1/4-20 x 1-3/8	1
9	1017424	Bearing, Pivot Support	1
10	101966901	Nut, Flange, 1/4-28	1
11	101817401	Retainer, Spring	1
12	101796201	Spring, Return	1
13	1017378	Cup, Spring	1
14	1017380	Bumper, Return Spring	1
15	1241	Washer, Flat, 5/16	1
16	7473	Nut, Nylon Lock, 5/16-18	1
17	8754	Nut, Nylon Lock, 3/8-16	2
18	8233	Nut, Nylon Lock, 1/4-20	4
19	1014007	Washer, Flat, Type B, 1/4	4
20	1011694	Support, Accelerator Pivot Rod	2
21	101861901	Screw, Hex Cap, 1/4-20 x 1-1/8	4
		Kit, Park Brake (includes item 22, and items 21-25 on page 4-5)	1
22	N/A	Ratchet, Park Brake	1

4

E

4

E

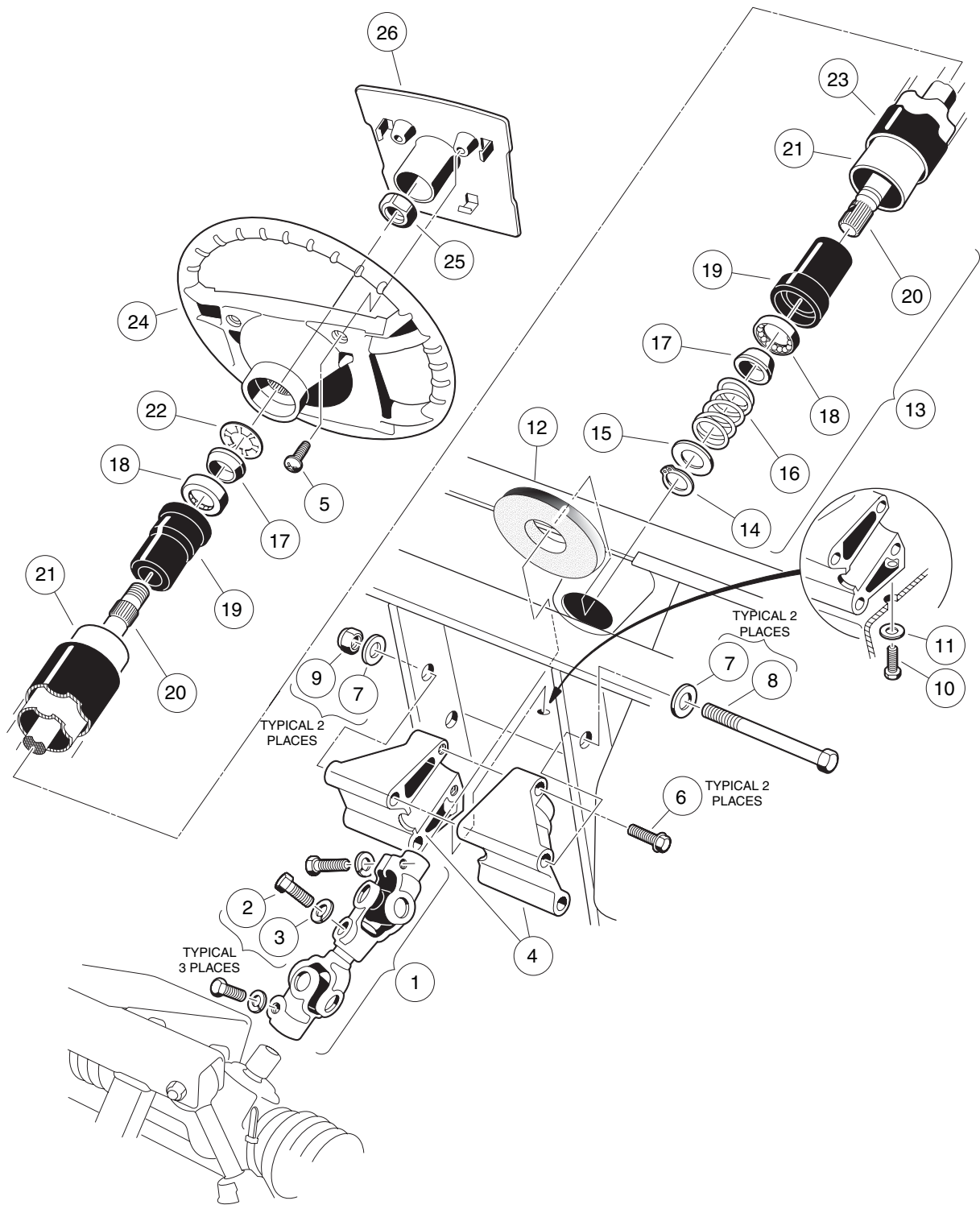
STEERING, FRONT AND REAR SUSPENSION

5

E

5

E



STEERING COLUMN

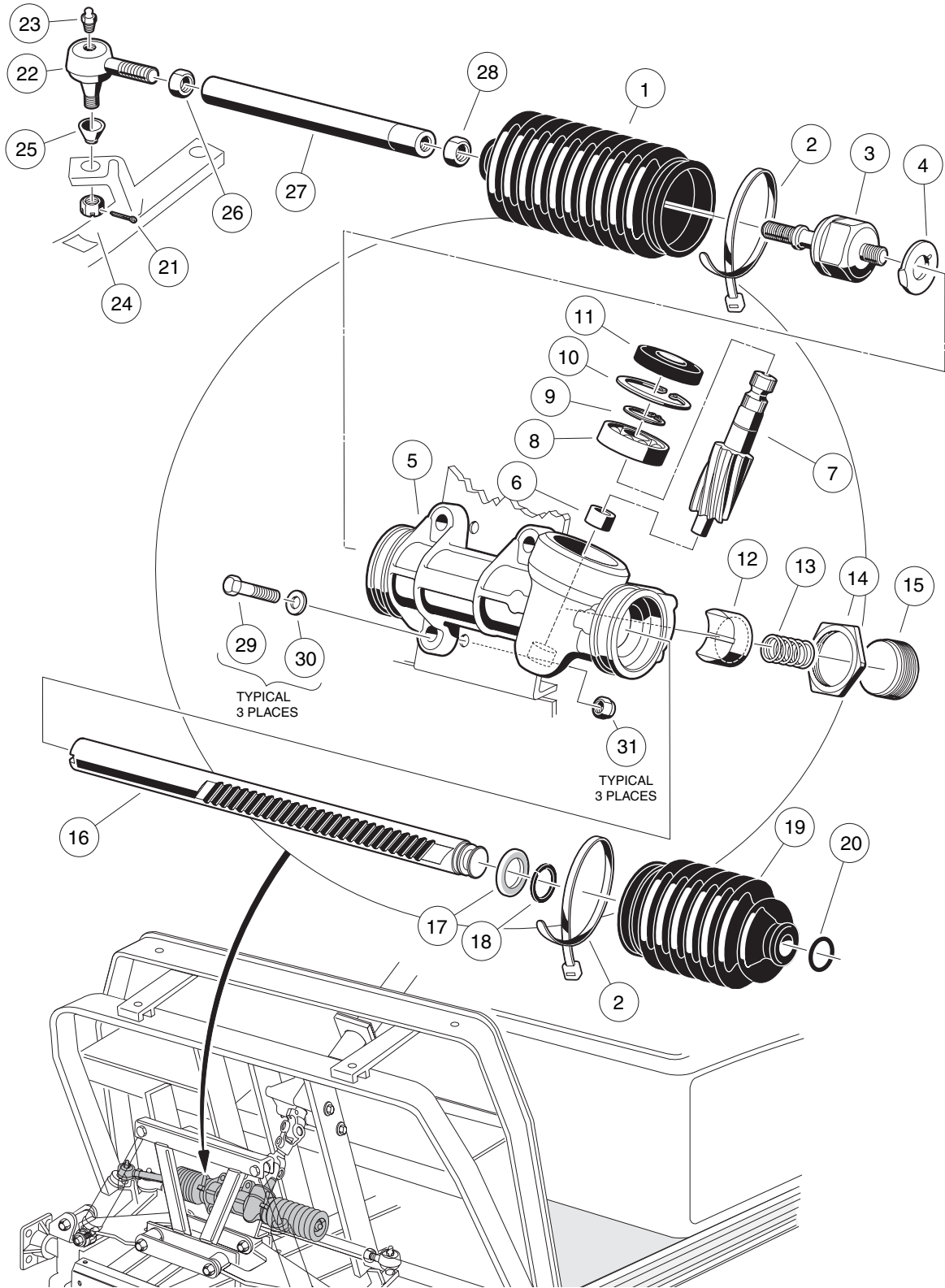
ITEM	PART NO.	DESCRIPTION	QTY
		1 2 3 4	
1	1013861	Joint, Compound Steering (includes items 2 and 3)	1
2	1017226	Screw, Hex-Head Cap, M8 x 1.25 x 30 mm	3
3	7174	Washer, Lock, 5/16	3
4	101984801	Kit, Steering Column Mounting Bracket	1
5	1016663	Screw, Phillips, Type A, #12-11 x 5/8	2
6	1016269	Screw, Hex Washer-Head Thread-Forming, 5/16-18 x 2	2
7	334	Washer, Flat, 3/8	4
8	1016183	Screw, Hex-Head Cap, 3/8-16 x 7	2
9	8754	Nut, Nylon Lock, 3/8-16	2
10	1014288	Screw, Hex Washer-Head Thread-Forming, 5/16-18 x 3/4	1
11	1011697	Washer, Flat, 5/16	1
12	102278001	Boot, Steering Column	1
13	1016181	Assembly, Steering Column (includes items 14 - 22)	1
14	1012605	Ring, Retaining	1
15	1012604	Washer, Steel, 5/8	1
16	1014217	Spring, Compression	1
17	1014125	Wedge	2
18	1014213	Assembly, Bearing	2
19	1014126	Seat, Bearing	2
20	1015545	Shaft, Steering Column	1
21	1016622	Column, Aluminum Steering	1
22	1014214	Ring, Retaining	1
23	1016263	Cover, Steering Column	1
24	1016156	Wheel, Steering	1
25	1017273	Nut, Nylon Lock, 5/8-18	1
26	101615502	Plate, Scorecard	1
	1014216	Kit, Steering Column Rebuild (not shown)	A/R

5

E

5

E



STEERING GEAR ASSEMBLY

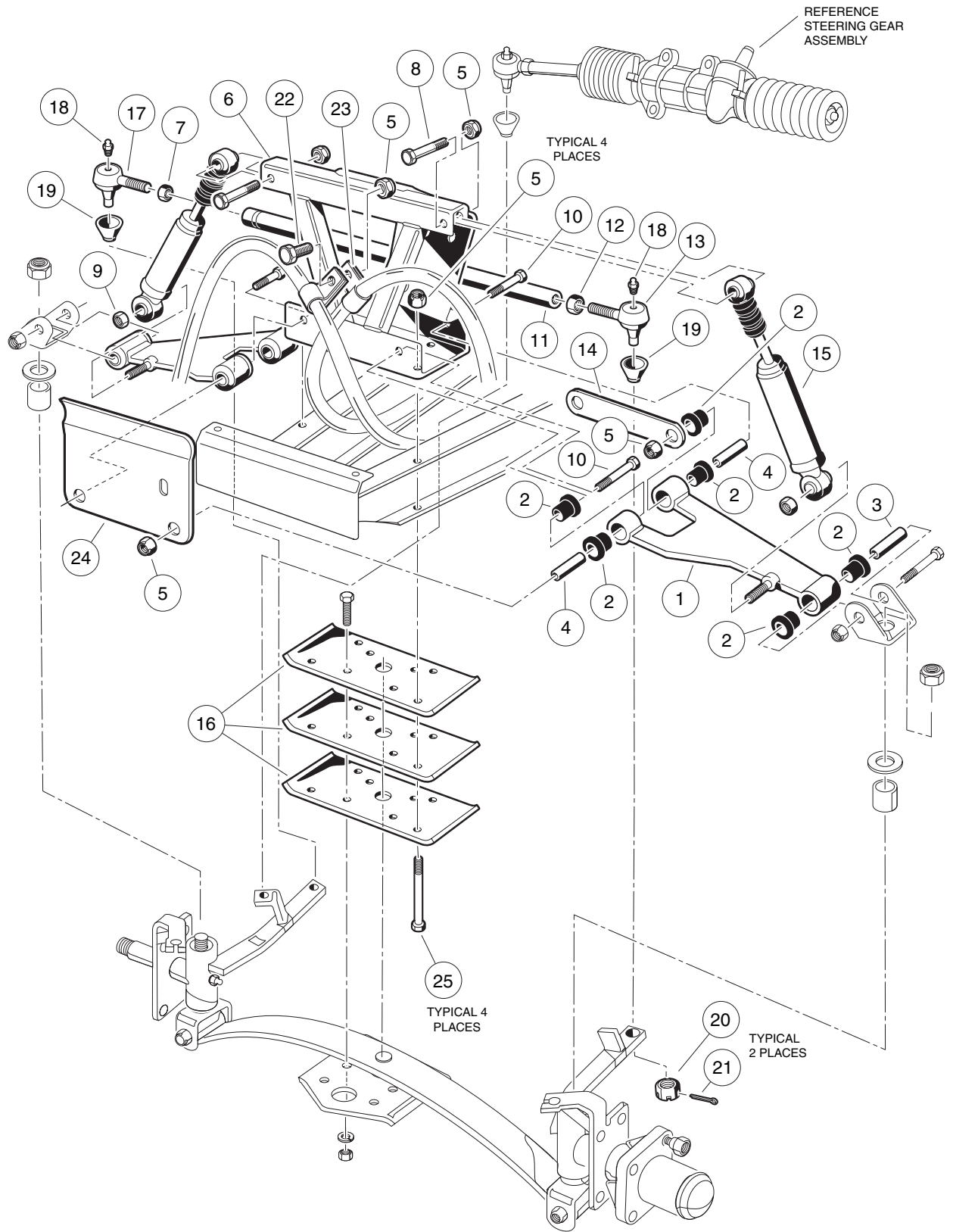
ITEM	PART NO.	DESCRIPTION	QTY
		1 2 3 4	
	101878302	Assembly, Steering Gear Box (includes items 1 - 20)	1
1	1013035	Seal, Dust, Passenger-Side	1
2	8990	Tie, Wire	2
3	101880201	Assembly, Inner Ball Joint	1
4	101880301	Washer, Tab	1
5	N/A	Box, Steering Gear	1
6	N/A	Bearing, Lower Pinion	1
7	N/A	Pinion, Steering	1
8	101879401	Bearing, Upper Pinion	1
9	101879901	Ring, C-Type Stop	1
10	1013051	Ring, Snap	1
11	1013052	Seal, Dust, Steering Pinion	1
12	101879701	Guide, Steering Rack	1
13	101879801	Spring, Yoke	1
14	1013044	Nut, Lock, Rack Screw	1
15	N/A	Screw, Rack Guide	1
16	N/A	Rack, Steering	1
17	101879501	Washer, Stop	1
18	101879601	Ring, C-Type Stop	1
19	101880001	Seal, Dust, Driver-Side	1
20	101880101	Ring, Retaining	1
21	1035	Pin, Cotter, 3/32 x 1	1
22	7540	Ball Joint, Left-Hand Thread (includes items 23, 24 and 25)	1
23	1015597	Fitting, Thread-Forming Grease, 1/4-28	1
24	7602	Nut, Hex Slotted, 3/8-24	1
25	1011930	Boot, Dust	1
26	7555	Nut, Hex, Left-Hand Thread, 1/2-20	1
27	1012467	Link, Rack and Pinion Drag	1
28	1013042	Nut, Hex, M12 x 1.75	1
29	1624	Screw, Hex-Head Cap, 3/8-16 x 1-1/2	3
30	334	Washer, Flat, 3/8	3
31	8754	Nut, Nylon Lock, 3/8-16	3

5

E

5

E



FRONT SUSPENSION, UPPER

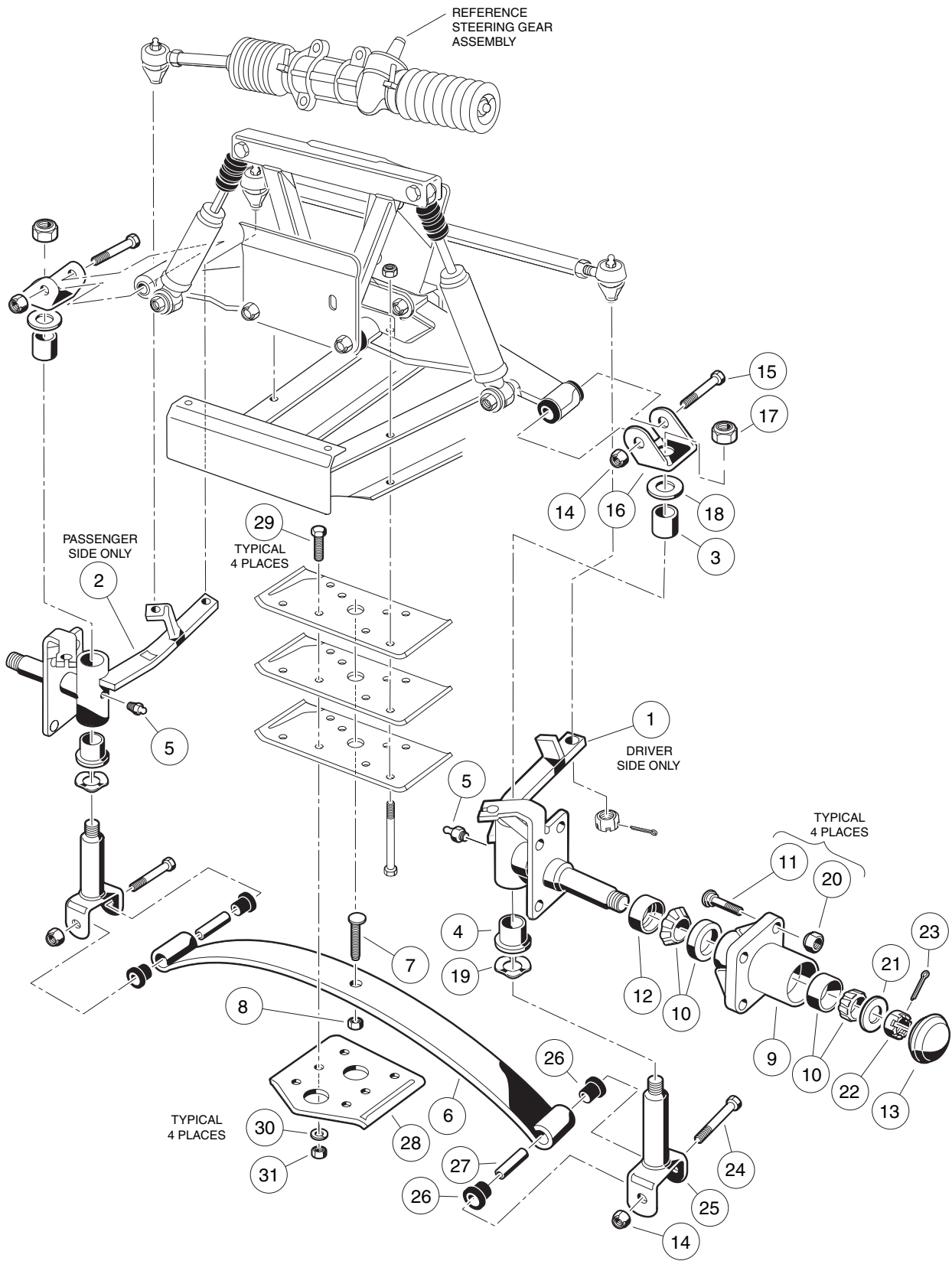
ITEM	PART NO.	DESCRIPTION	QTY
		1 2 3 4	
1	1016353	Assembly, Delta A-Plate (includes items 2, 3 and 4)	2 2
2	1016346	Bushing, Urethane	6 6
3	1016350	Sleeve, Delta Outer	1 1
4	1016349	Sleeve, Delta Inner	2 2
5	8754	Nut, Nylon Lock, 3/8-16	11 11
6	1016385	Assembly, Delta Shock and Gear Support	1 1
7	1308	Nut, Hex, 1/2-20	1 1
8	8861	Screw, Hex-Head Cap, 3/8-16 x 2-3/4	2 2
9	1010138	Nut, Dimpled Lock, 3/8-16	2 2
10	2402	Screw, Hex-Head Cap, 3/8-16 x 2-1/4	4 4
11	1010219	Rod, Tie	1 1
12	7555	Nut, Hex, Left-Hand Thread, 1/2-20	1 1
13	7540	Ball Joint, Left-Hand Thread (includes items 18, 19 and 20)	1 1
14	1017266	Strap, A-Plate	1 1
15	101870601	Shock Absorber, Front	2 2
16	1010124	Plate, Spring Mounting	3 3
17	7539	Ball Joint (includes items 18, 19 and 20)	1 1
18	1015597	Fitting, Thread-Forming Grease, 1/4-28	1 1
19	1011930	Seal, Dust	1 1
20	7602	Nut, Slotted Hex, 3/8-24	1 1
21	1035	Pin, Cotter, 3/32 x 1	2 2
22	320	Screw, Hex-Head Cap, 3/8-16 x 1	1 1
23	101935301	Clamp, Brake Cable (part of brake cable assembly)	2 2
24	101955001	Bracket, Brake Cable Guide	1 1
25	101870501	Screw, Hex-Head Cap, 3/8-16 x 4-3/4	4 4

5

E

5

E



FRONT SUSPENSION, LOWER

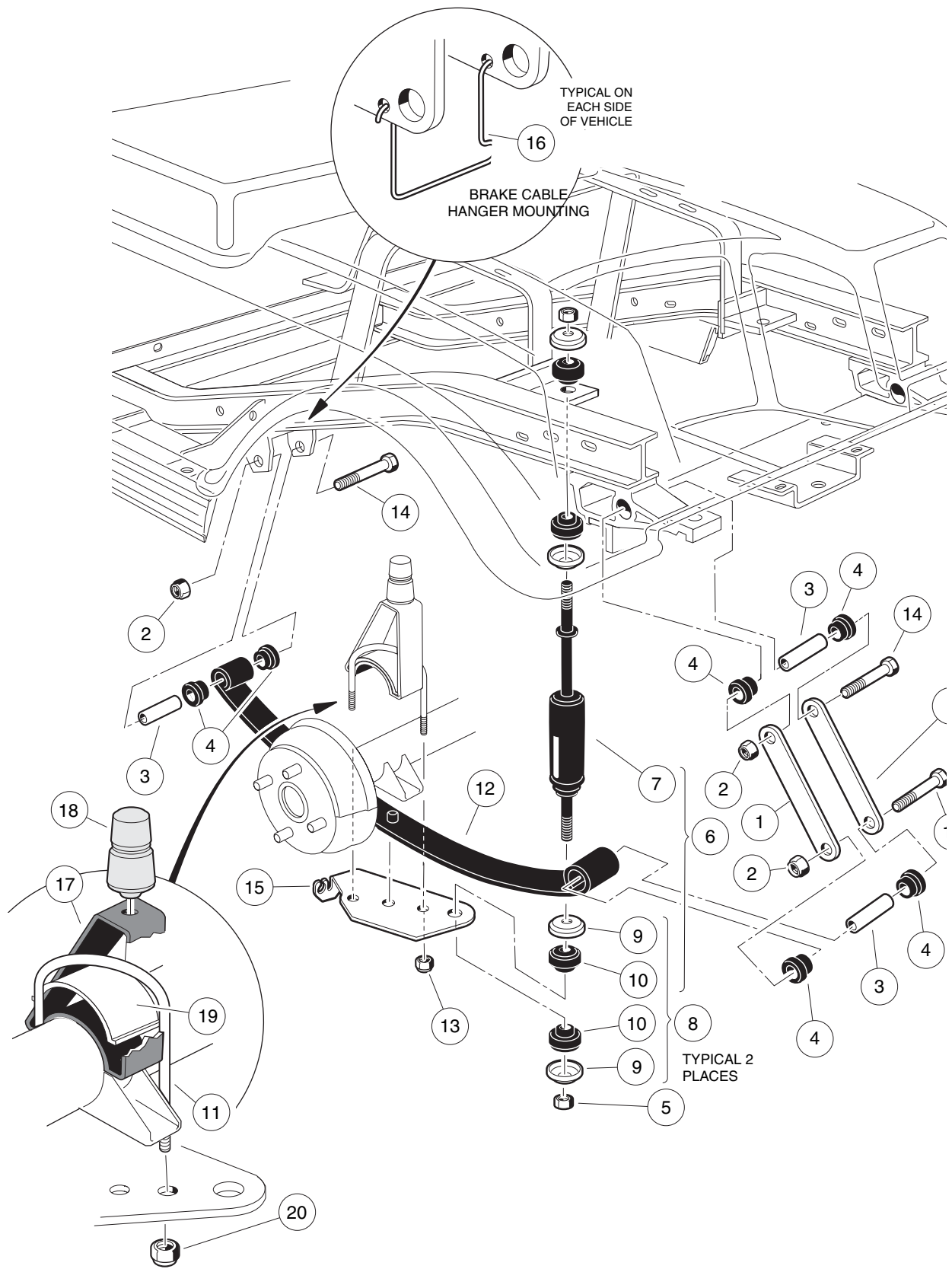
ITEM	PART NO.	DESCRIPTION	QTY
		1 2 3 4	
1	101876901	Assembly, Spindle, Driver-Side (includes items 3, 4 and 5)	1 1
2	101877001	Assembly, Spindle, Passenger-Side (includes items 3, 4 and 5)	1 1
3	8067	Bushing, Bronze Spindle	1 1
4	7048	Bushing, Bronze	1 1
5	1015597	Fitting, Grease, 1/4-28	1 1
6	1012030	Spring, Tapered Leaf	1 1
7	8745	Eccentric Adjustment	1 1
8	706	Nut, Hex, 3/8-16	1 1
9	1011892	Assembly, Hub (includes items 10 - 13)	2 2
10	1011393	Package, Hub Bearing	2 2
11	1011304	Stud, Lug, 1/2-20	4 4
12	1013135	Seal, Double Lip	1 1
13	1011887	Cover, Dust	1 1
14	8754	Nut, Nylon Lock, 3/8-16	4 4
15	1016387	Screw, Hex-Head Cap, 3/8-16 x 2-3/4	2 2
16	1016384	Clevis, Upper Delta	2 2
17	101903101	Nut, Nylon Lock, 1/2-20	2 2
18	1010150	Bearing, Thrust	2 2
19	1016389	Washer, Kingpin Wave	2 2
20	1010984	Nut, Lug	8 8
21	1010005	Washer, Flat, 3/4	2 2
22	7840	Nut, Hex Slotted, 3/4-16	2 2
23	7910	Pin, Cotter, 5/32 x 1	2 2
24	8755	Screw, Hex-Head Cap, 3/8-16 x 3-3/8	2 2
25	1016386	Kingpin	2 2
26	1015583	Bushing, Urethane	4 4
27	1012303	Bushing, Steel	2 2
28	1014276	Plate, Front Spring Retainer	1 1
29	1010177	Screw, Hex-Head Cap, 3/8-16 x 2	4 4
30	357	Washer, Lock, 3/8	4 4
31	706	Nut, Hex, 3/8-16	4 4

5

E

5

E



REAR SUSPENSION

ITEM	PART NO.	DESCRIPTION	QTY
		1 2 3 4	
1	7569	Shackle, Rear Spring	4
2	8754	Nut, Nylon Lock, 3/8-16	6
3	1012303	Bushing, Steel	6
4	1015583	Bushing, Urethane	12
5	1010145	Nut, UNF Hex, 3/8-24	4
6	1013164	Kit, Shock Absorber (includes items 7, 9, and 10)	1
7	1014236	Shock Absorber, Rear	2
8	1011415	Kit, Shock Absorber Cushion (includes 2 each of items 9 and 10)	4
9	N/A	Retainer, Shock Absorber Cushion	8
10	N/A	Cushion, Shock Absorber	8
11	1014902	U-Bolt	2
12	1010974	Spring, Rear Leaf	2
13	1014555	Nut, Nylon Lock, 7/16-24	4
14	8755	Screw, Hex-Head Cap, 3/8-16 x 3-3/8	6
15	1012182	Pad, Spring, Driver-Side	1
15	1012181	Pad, Spring, Passenger-Side	1
16	1013207	Hanger, Brake Cable	2
17	101454902	Mount, Angled Bumper	2
18	1017235	Bumper, Jounce	2
19	1014901	Spacer, Overload Bumper	2
20	1014555	Nut, Nylon Lock, 7/16-24	4

5

E

5

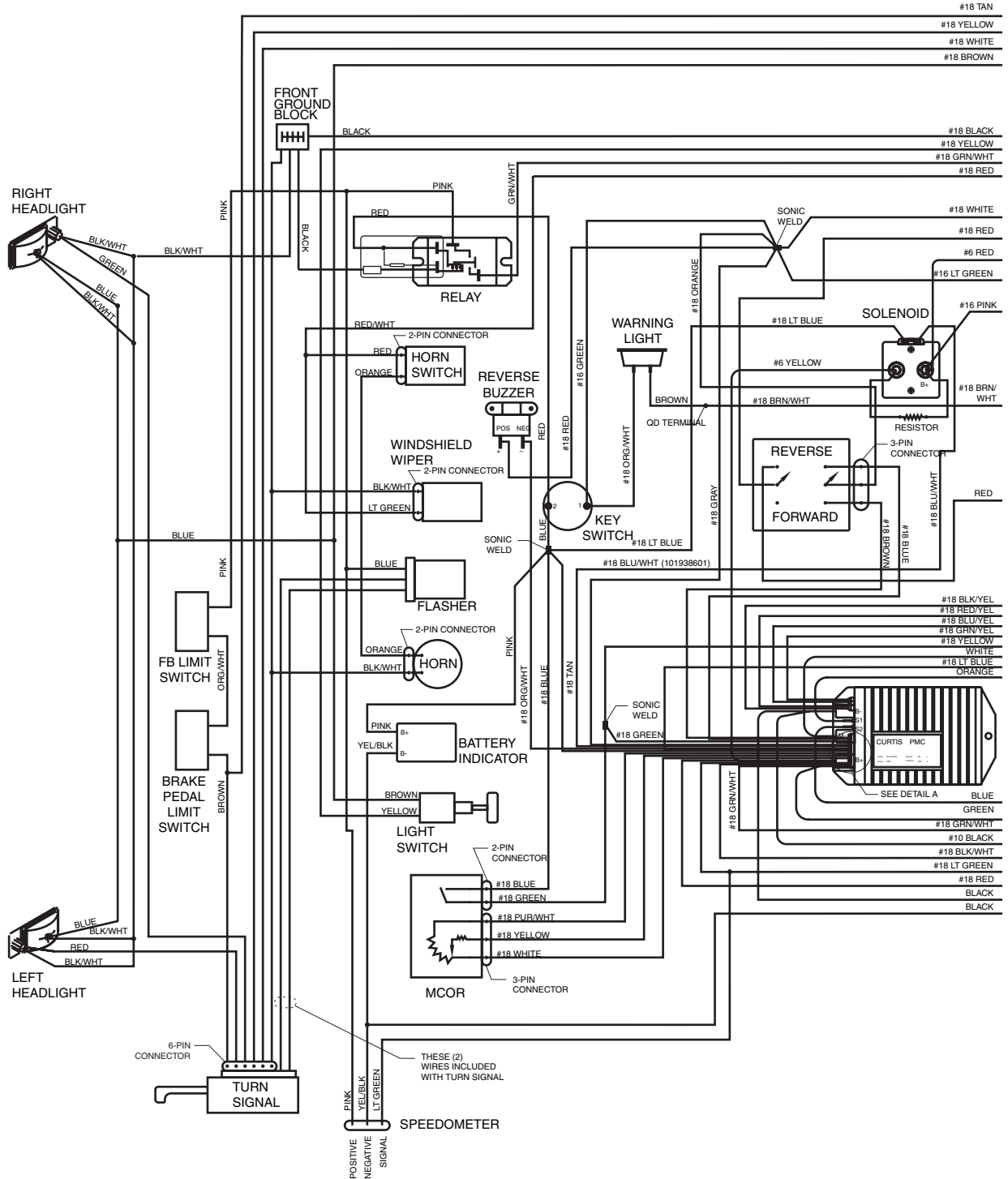
E

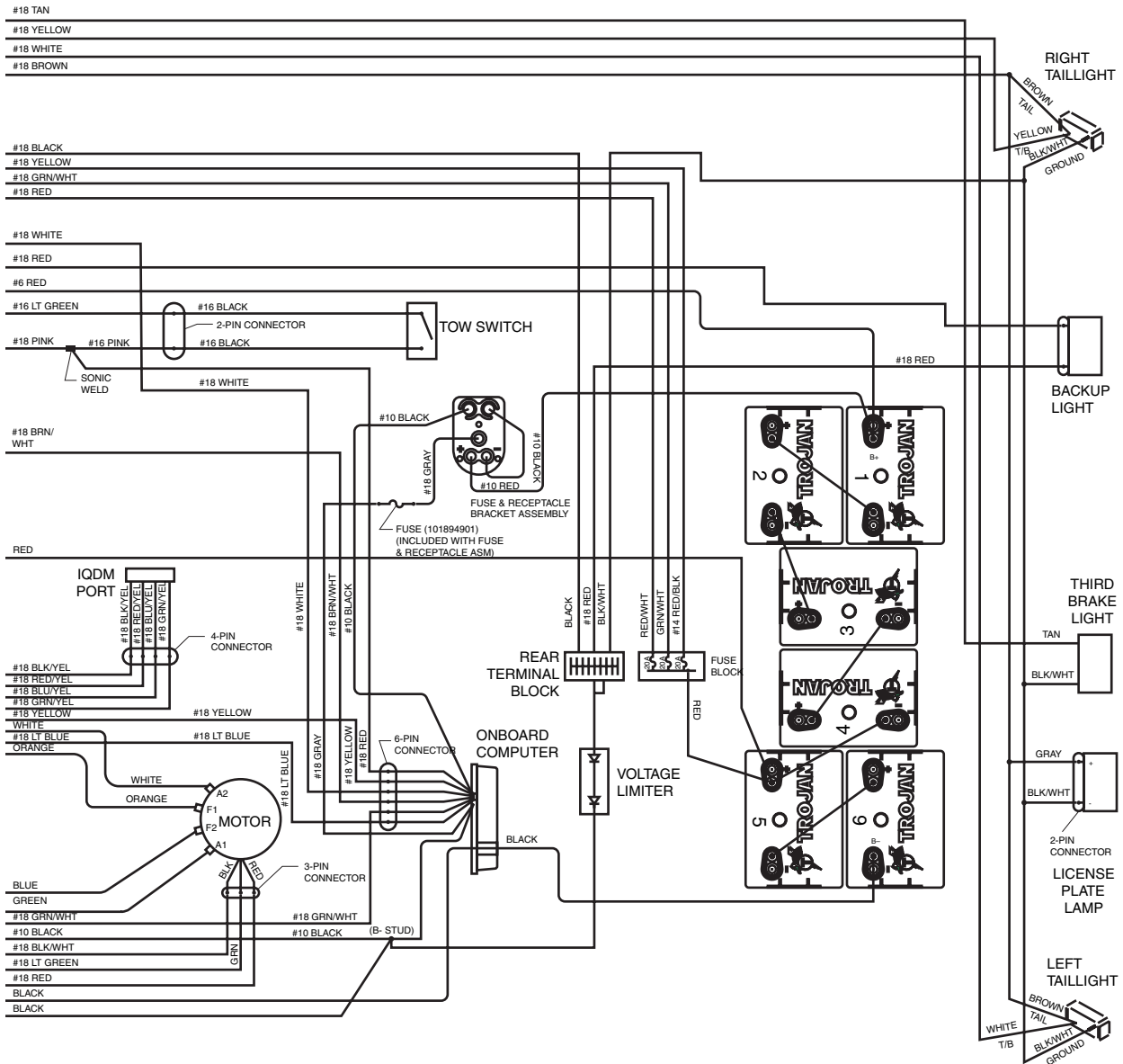
ELECTRICAL SYSTEM – ELECTRIC VEHICLE

6

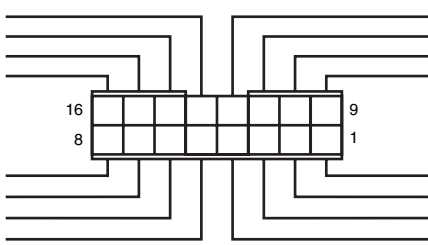
E

WIRING – IQ-P: CA, MA, AND VT MODELS





- (PIN 13) BLK/WHT : TO LOW SIDE OF MOTOR SPEED SENSOR
- (PIN 14) LT GREEN: TO MOTOR SPEED SENSOR OUTPUT
- (PIN 15) RED: TO HIGH SIDE OF MOTOR SPEED SENSOR
- (PIN 16) BLUE: TO FNR SWITCH "REVERSE"
- (PIN 8) BROWN: TO FNR SWITCH "FORWARD"
- (PIN 7) ORG/WHT: TO LOW SIDE OF REVERSE BUZZER
- (PIN 6) GREEN: TO ACCELERATOR LIMIT SWITCH
- (PIN 5) LT BLUE : TO OBC "CONTROLLER LOCKOUT"



- (PIN 12) BLU/WHT : TO LOW SIDE OF SOLENOID COIL
- (PIN 11) : OPEN
- (PIN 10) TAN: TO KEY SWITCH SONIC WELD
- (PIN 9) GRAY: AUX
- (PIN 1) WHITE : TO HIGH SIDE OF POTENTIOMETER
- (PIN 2) YELLOW : TO SLIDER OF POTENTIOMETER
- (PIN 3) PUR/WHT : TO LOW SIDE OF POTENTIOMETER
- (PIN 4) GRN/WHT : TO S.O.C.

16-PIN CONNECTOR

6

E

See previous two pages for wiring diagram.

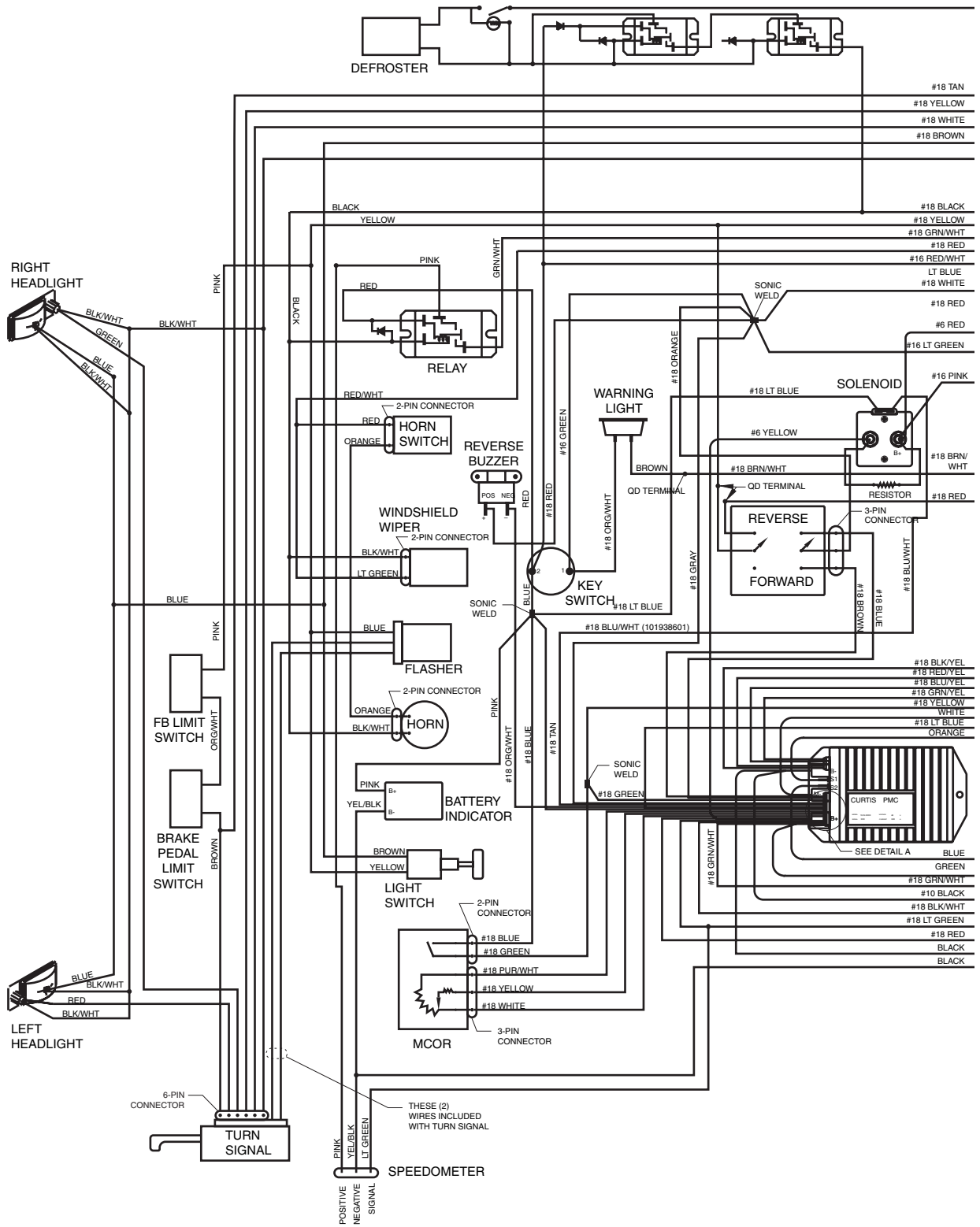
WIRING – IQ-P: CA, MA, AND VT MODELS

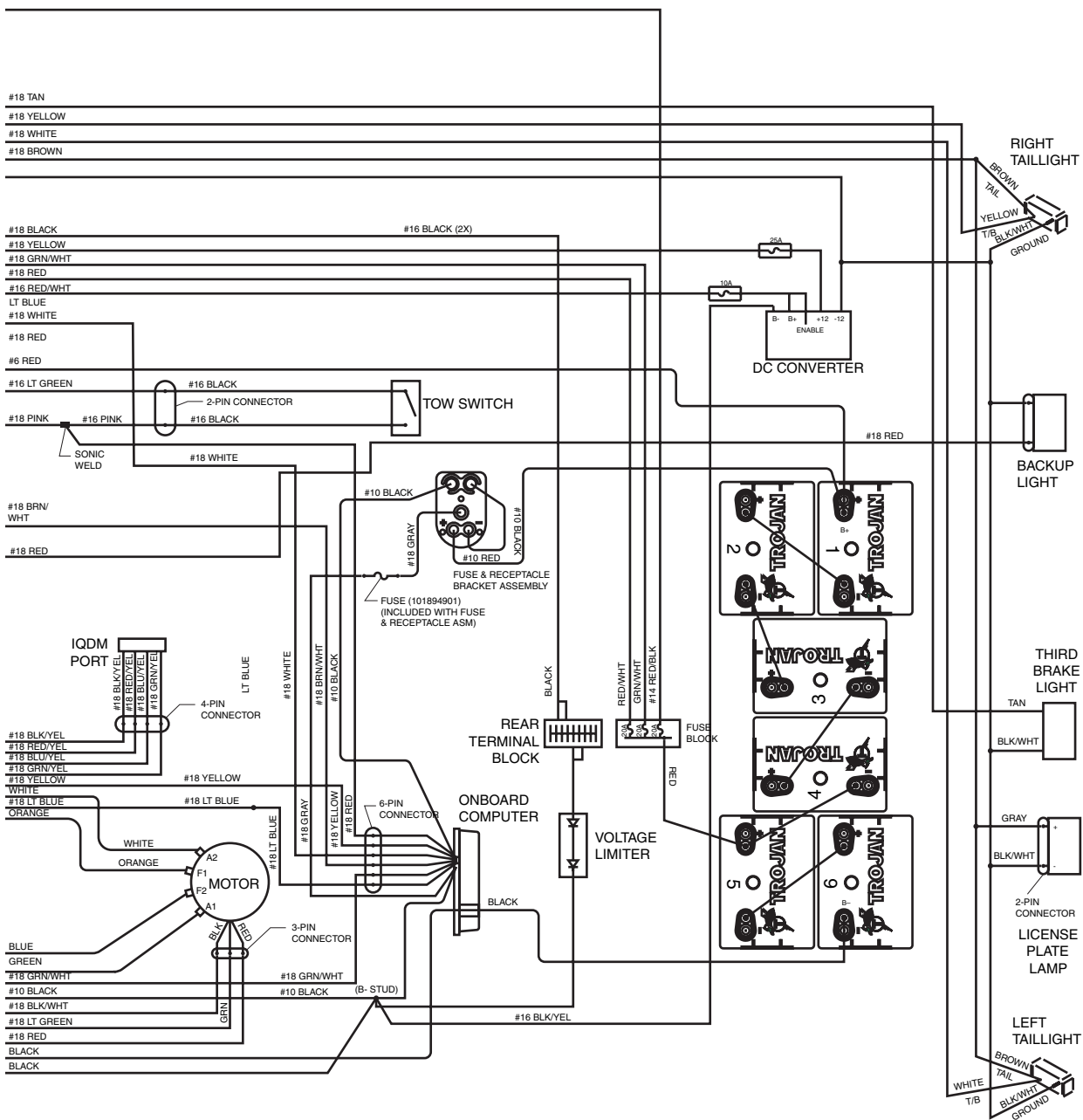
ITEM	PART NO.	DESCRIPTION	QTY
1	102311402	1 2 3 4 Wire Harness, IQ-P (CA, MA, and VT Model)	1

6

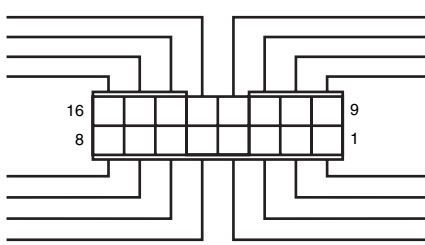
E

WIRING – IQ-P: NEW YORK MODELS





- (PIN 13) BLK/WHT : TO LOW SIDE OF MOTOR SPEED SENSOR
- (PIN 14) LT GREEN: TO MOTOR SPEED SENSOR OUTPUT
- (PIN 15) RED: TO HIGH SIDE OF MOTOR SPEED SENSOR
- (PIN 16) BLUE: TO FNR SWITCH "REVERSE"
- (PIN 8) BROWN: TO FNR SWITCH "FORWARD"
- (PIN 7) ORG/WHT: TO LOW SIDE OF REVERSE BUZZER
- (PIN 6) GREEN: TO ACCELERATOR LIMIT SWITCH
- (PIN 5) LT BLUE : TO OBC "CONTROLLER LOCKOUT"



- (PIN 12) BLU/WHT : TO LOW SIDE OF SOLENOID COIL
- (PIN 11) : OPEN
- (PIN 10) TAN: TO KEY SWITCH SONIC WELD
- (PIN 9) GRAY: AUX
- (PIN 1) WHITE : TO HIGH SIDE OF POTENTIOMETER
- (PIN 2) YELLOW : TO SLIDER OF POTENTIOMETER
- (PIN 3) PUR/WHT : TO LOW SIDE OF POTENTIOMETER
- (PIN 4) GRN/WHT : TO S.O.C.

16-PIN CONNECTOR

6

E

See previous two pages for wiring diagram.

WIRING – IQ-P: NEW YORK MODELS

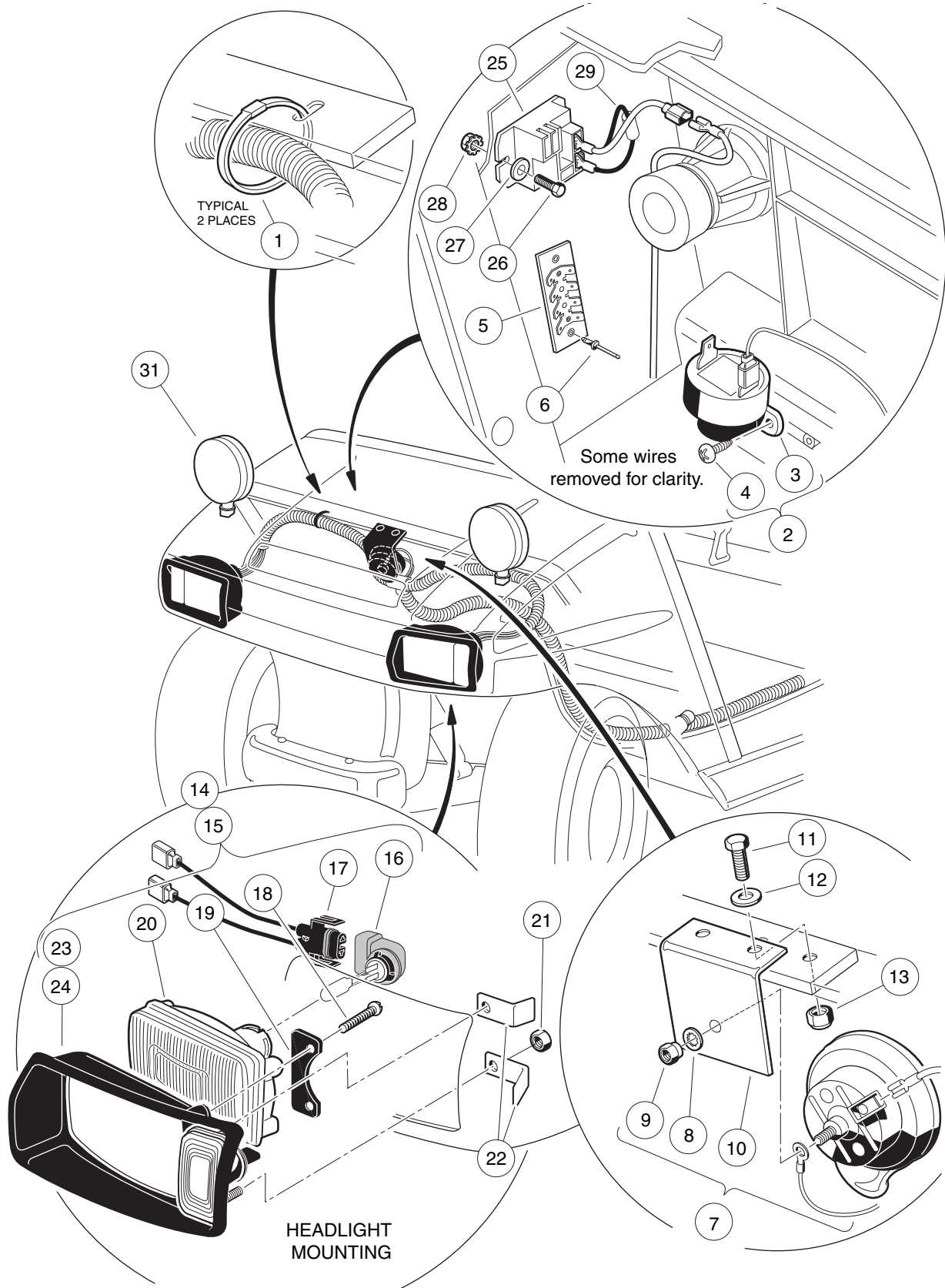
ITEM	PART NO.	DESCRIPTION	QTY
1	102343701	1 2 3 4 Wire Harness, IQ-P (NY Model)	1

6

E

6

E



ELECTRICAL COMPONENTS, FRONT BODY

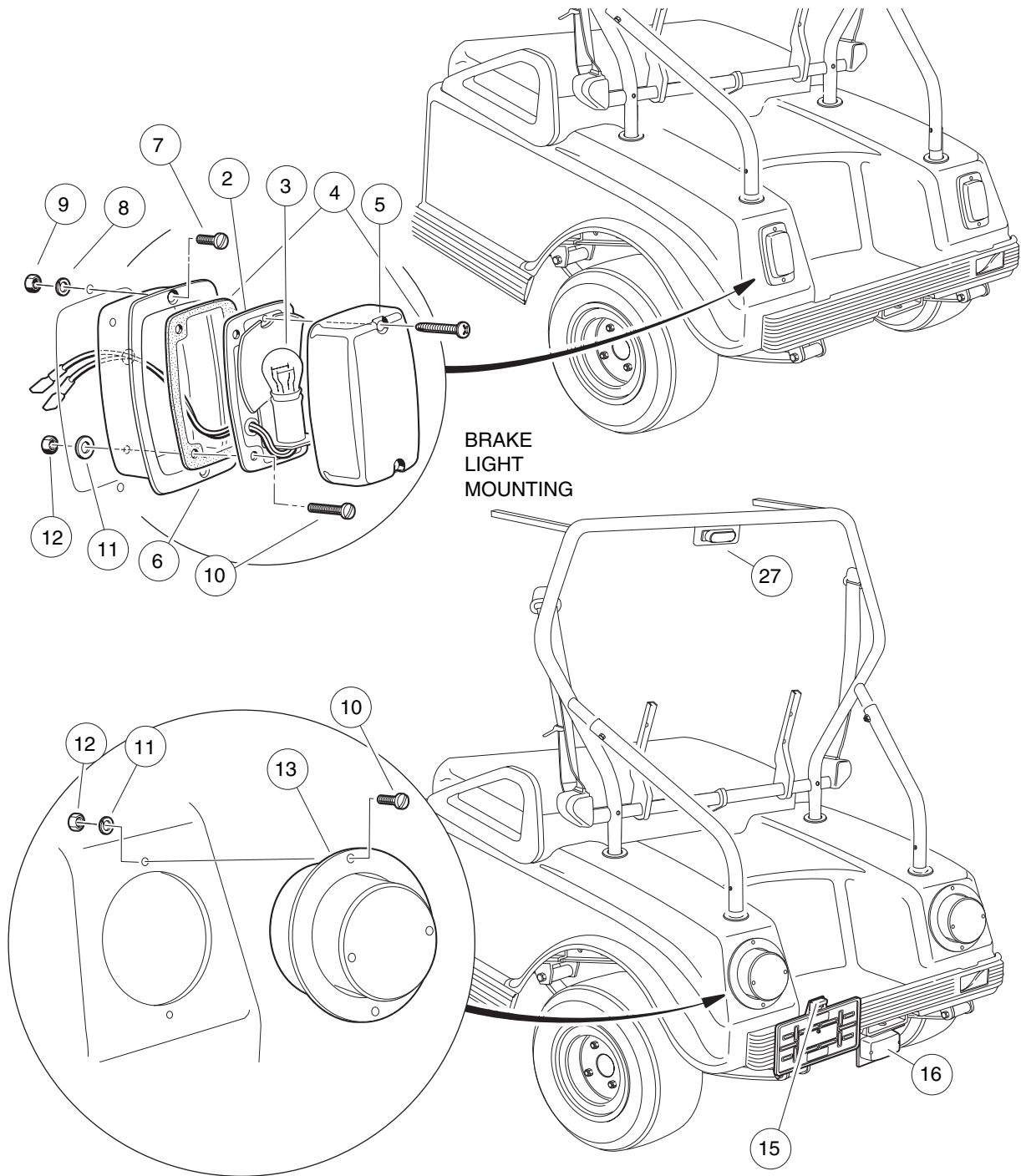
ITEM	PART NO.	DESCRIPTION	QTY
		1 2 3 4	
1	8639	Tie, Wire	2
2	1016859	Kit, Reverse Buzzer (includes items 3 and 4)	1
3	1016851	Buzzer, Reverse	1
4	1016849	Screw, Pan-Head Hi-Lo, #4-24 x 5/16	2
5	1016356	Block, Terminal	1
6	1013357	Rivet, Aluminum Pop, 5/32 x 3/8	2
7	4029	Assembly, Horn (includes items 8, 9 and 10)	1
8	7820	Washer, Internal Tooth, 5/16	1
9	101955101	Nut, M6 x 1.25	1
10	1011825	Bracket, Horn	1
11	304	Screw, Hex-Head Cap, 1/4-20 x 1	2
12	332	Washer, Flat, 1/4	2
13	8233	Nut, Nylon Lock, 1/4-20	2
14	101988001	Assembly, Headlight, Driver-Side (includes items 16-23)	1
15	101988002	Assembly, Headlight, Passenger-Side (includes items 16-22 and 24)	1
16	101988101	Bulb, Halogen	1
17	101987901	Harness, Headlight Wire	1
18	1013461	Screw, Hi-Lo, #10-16	2
19	1017065	Retainer, Headlight	1
20	101988201	Lens, Headlight	1
21	1022006	Nut, Hex, #10-32	2
22	1017064	Bracket, Mounting	2
23	1016880	Bezel, Headlight, Driver-Side	1
24	1016879	Bezel, Headlight, Passenger-Side	1
25	101828601	Relay, Brake Light, 48-volt (includes items 26-28)	1
26	1017853	Bolt, Hex-Head Machine, 6-32 x 3/4	2
27	7591	Washer, Flat,	2
28	1011229	Nut, Lock, Hex, 6-32	2
29	101914401	Assembly, Voltage Suppressor	1
30	102346901	Light, Turn signal (NY Vehicles Only) (Includes Item 35)*	2
31	102353801	Bulb (Not Shown) (NY Vehicles only)	1
32	102347001	Spacer, Turn Signal, Angled (Not Shown) (NY Vehicles only)	4
33	102348301	Wire Assembly, Turn Signal Jumper (Not Shown) (NY Vehicles only)	2
34	8613	Nut, 1/2-20 Hex-Head Jam (Not Shown) (NY Vehicles only)	4
35	209	Washer, Lock, 1/2-Inch Split (Not Shown) (NY Vehicles only)	2
*Item 30 requires mounting hardware (items 31-35).			

6

E

6

E

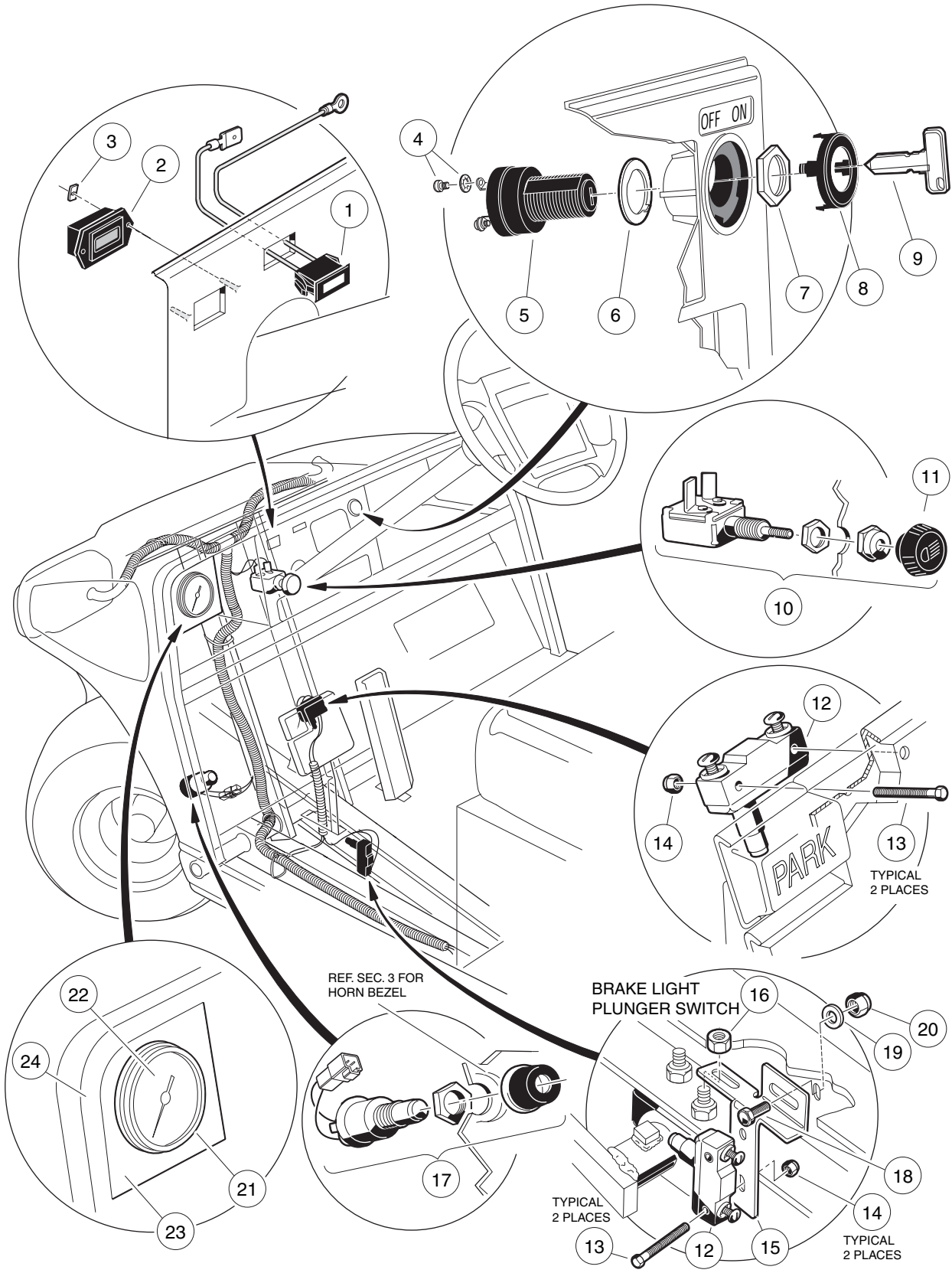


ELECTRICAL COMPONENTS, REAR BODY

ITEM	PART NO.	DESCRIPTION	QTY
		1 2 3 4	
1	1017035	Assembly, Taillight (Rectangular) (Includes Items 2-5)*	2
2	N/A	Base, Taillight	1
3	1011582	Bulb	1
4	1017699	Kit, Hardware	1
5	1011843	Lens	1
6	1011497	Bezel, Taillight	2
7	1011498	Screw, Machine, #8-32 x 1/2	4
8	1011610	Washer, Lock, #8	4
9	1011571	Nut, Hex, #8-32	4
10	1011557	Screw, Machine, #6-32 x 1	4
11	7591	Washer, Flat, #6	4
12	1011558	Nut, Hex, #6	6
13	102347101	Assembly, Taillight (Round) (Includes Item 14)*	2
14	1011582	Bulb (Not Shown)	1
15	102351001	Bulb, License Plate	1
16	102340401	Kit, Back-Up Light (CA, MA, and VT Vehicles Only) (Includes Items 17-26)	1
17	102340601	Light, Back-Up (NY and CA vehicles) (Includes Items 18-23)	1
18	102353701	Bulb (Not Shown)	1
19	102341201	Bracket, Back-Up Light (Not Shown)	1
20	7591	Washer, #6 Flat (Not Shown)	2
21	1011558	Nut, #6 Hex (Not Shown)	2
22	1017853	Screw, #6-32 x 3/4-Inch Hex-Head (Not Shown)	2
23	101824101	Tie, Wire (Not Shown)	1
24	8990	Tie, Wire (Not Shown) (CA, MA, and VT vehicles only)	2
25	101856101	Screw, Hex Washer-Head Hi-Lo, 1/4-15 x 1/2 inch (Not Shown) (CA and NY Veh.)	2
26	102340701	Harness, Back-Up Light (Not Shown) (CA, MA, and VT Vehicles Only)	1
27	102313701	Lamp, Brake, Center**	1
<p>* Vehicles with serial number NQ0399-250010 and lower use rectangular taillights. Vehicles with serial numbers higher than NQ0399-250010 use round taillights.</p> <p>** Center brake lamp assembly is a sealed unit. In the event of bulb failure the entire lamp assembly must be replaced.</p>			

6

E



CONTROLS AND INDICATORS

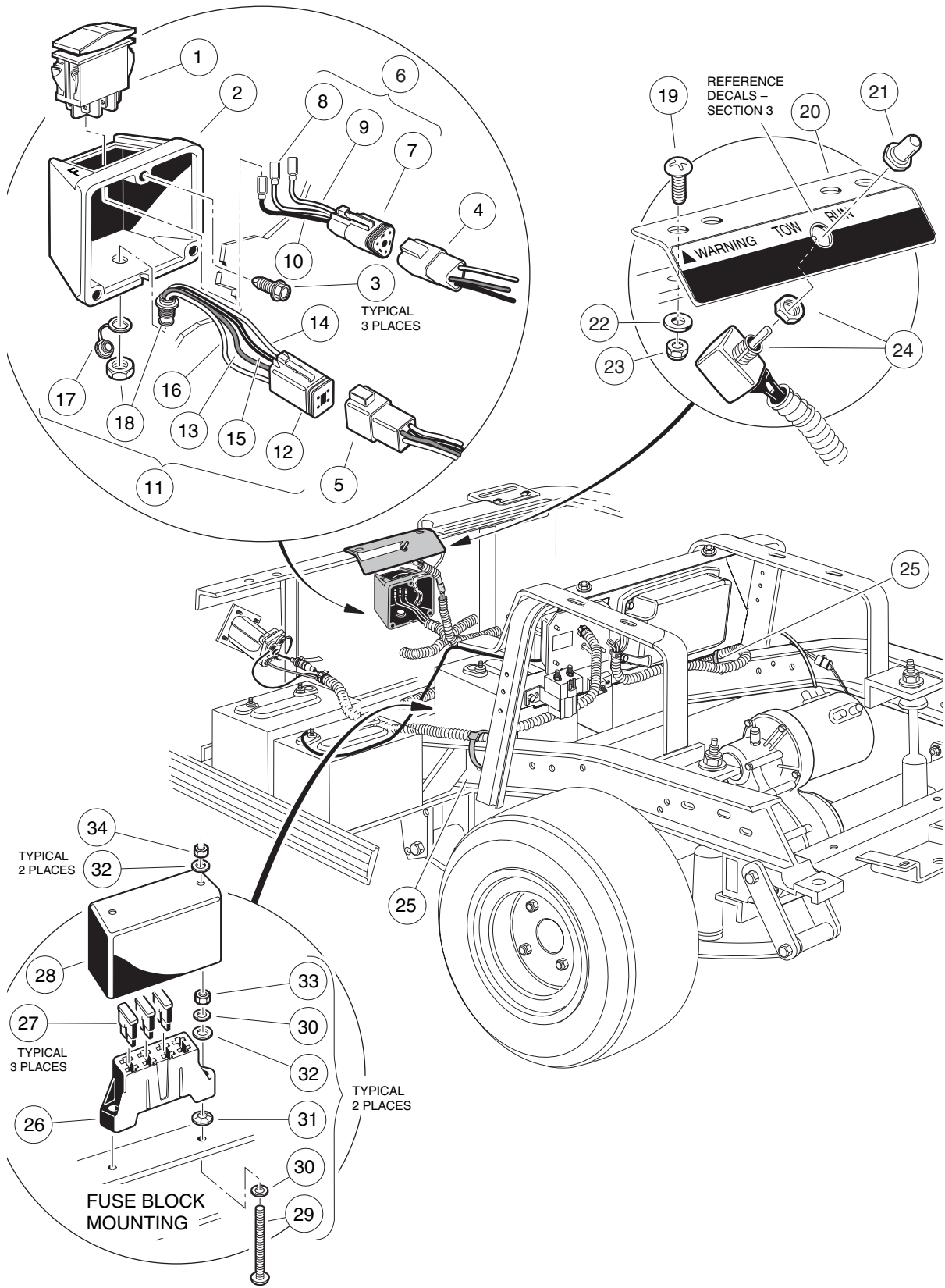
ITEM	PART NO.	DESCRIPTION	QTY
		1 2 3 4	
1	101935501	Light, Battery Warning (Amber)	1
2	101814201	Indicator, Battery	1
3	101814701	Retainer, Push On	2
4	101830601	Assembly, Screw and Washer	2
5	101826201	Switch, Key	1
6	101851101	Washer	1
7	101830701	Nut, Key Switch	1
8	101834502	Cap, Key Switch	1
9	1012505	Key (Pair)	1
10	102051901	Switch, Light (includes item 11)	1
11	1013857	Knob, Light Switch	1
12	1011439	Switch, Limit	2
13	1011557	Screw, Hex-Head Machine, #6-32 x 1	4
14	101932201	Nut, Nylon Lock, #6-32	4
15	101957101	Bracket, Brake Light Switch	1
16	1011280	Nut, Lock, 5/16-18	1
17	101969701	Button, Horn	1
18	7173	Bolt, Hex-Head, Cap, 5/16-18 x 3/4	1
19	1241	Washer, Flat, 5/16-18	1
20	7473	Nut, Nylon Lock, 5/16-18	1
21	102344101	Speedometer and Bracket Assembly (NY Vehicles Only) (includes item 5)	1
22	102351101	Bulb, Speedometer	1
23	N/A	Bracket, Speedometer (NY Vehicles Only)	1
24	1017724	Rivet, Plastic	4

6

E

6

E



FORWARD/REVERSE SWITCH, TOW/RUN SWITCH – IQ SYSTEM VEHICLE

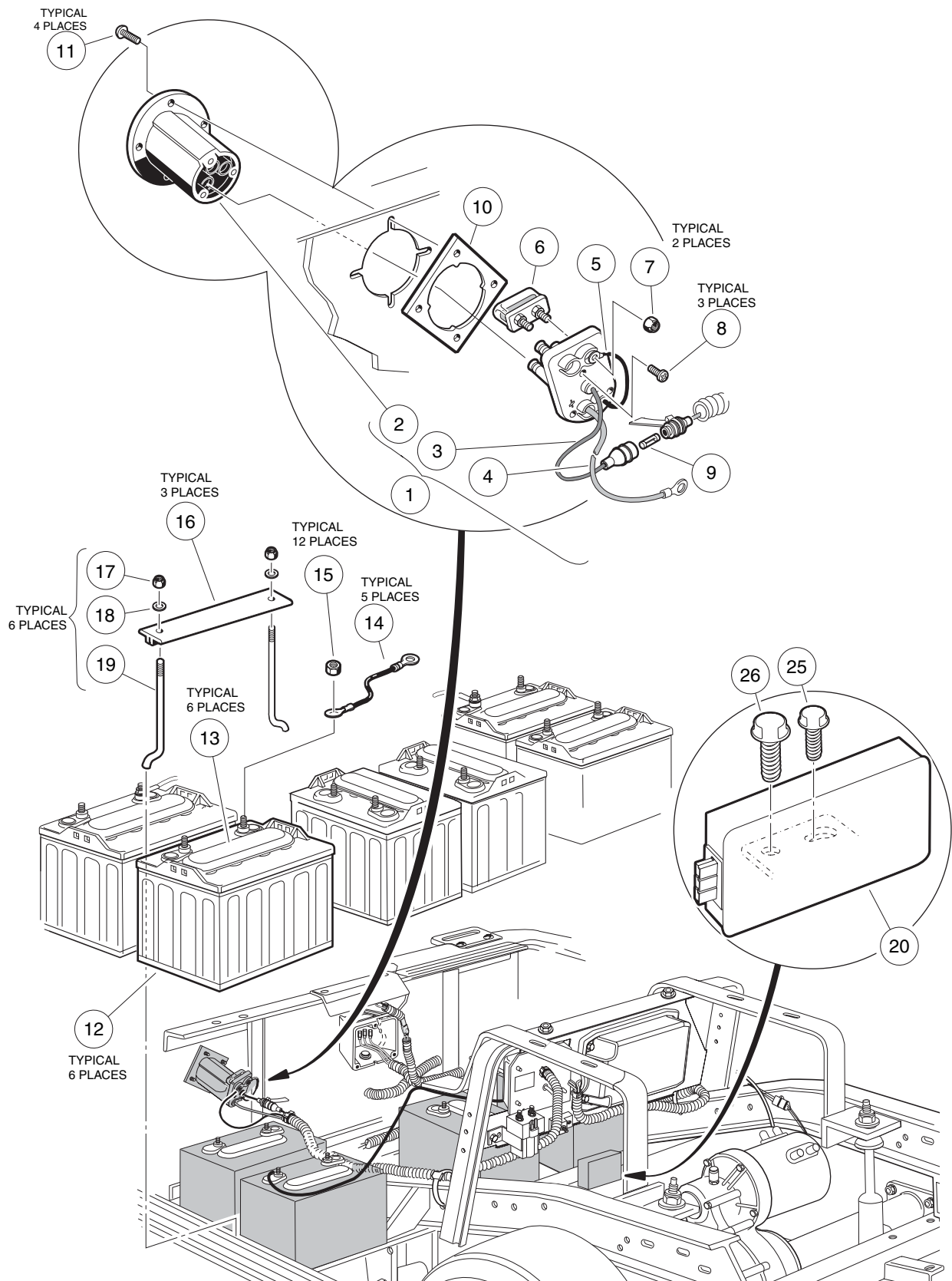
ITEM	PART NO.	DESCRIPTION	QTY
		1 2 3 4	
1	101856001	Switch, Forward/Reverse	1
2	101855002	Case, Forward/Reverse Switch	1
3	101856101	Screw, Hi-Lo Hex-Head, 1/4-15 x 1/2	3
4	101942301	Kit, 3-Pin Receptacle and Wedge Lock	1
5	101932401	Kit, 4-Pin Receptacle and Wedge Lock	1
6	102266601	Wire Assembly, Forward/Reverse Switch (includes items 7-10)	1
7	101920101	Kit, 3-Pin Plug and Wedge Lock	1
8	N/A	Wire Assembly, #18 Blue	1
9	N/A	Wire Assembly, #18 Orange	1
10	N/A	Wire Assembly, #18 Brown	1
11	102266701	Wire Assembly, IQDM Port (includes items 12-18)	1
12	101932501	Kit, 4-Pin Plug and Wedge Lock	1
13	N/A	Wire Assembly, #18 Red/Yellow	1
14	N/A	Wire Assembly, #18 Black/Yellow	1
15	N/A	Wire Assembly, #18 Blue/Yellow	1
16	N/A	Wire Assembly, #18 Green/Yellow	1
17	N/A	Cap, Dust	1
18	N/A	Connector, 4-Pin	1
19	8248	Screw, Truss Phillips Machine, 1/4-20 x 3/4	2
20	101922501	Bracket, Tow/Run Switch (without decal)	1
21	101908401	Boot, Tow/Run Switch (with nut)	1
22	332	Washer, Flat, 1/4	2
23	8233	Nut, Nylon Lock, 1/4-20	2
24	101908101	Switch, Tow/Run	1
25	8990	Tie, Wire	A/R
26	1015741	Block, Fuse	1
27	1016423	Fuse, 20-Amp	3
28	1016363	Cover, Fuse Block	1
29	1016366	Screw, Round-Head, #10-24 x 3	2
30	1016	Washer, Lock, #10	2
31	1016631	Nut, Push	2
32	183	Washer, Flat, #10	4
33	1017	Nut, Hex, #10-24	2
34	1012438	Nut, Nylon Lock, #10-24	2

6

E

6

E

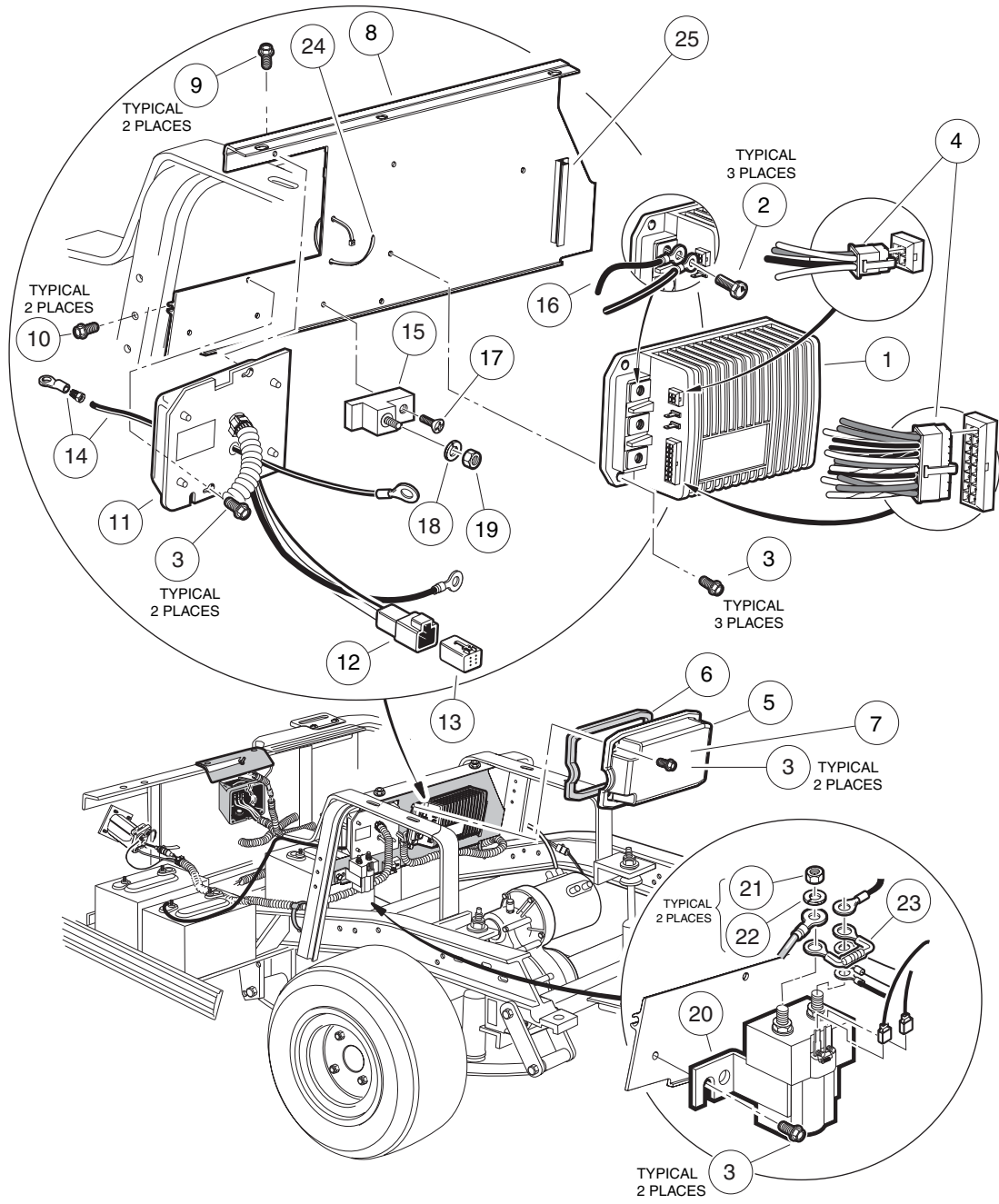


BATTERIES, CHARGER RECEPTACLE – IQ SYSTEM VEHICLE

ITEM	PART NO.	DESCRIPTION	QTY
		1 2 3 4	
1	101802101	Kit, Fuse and Receptacle (includes items 2 - 9)	1
2	101796501	Bezel, Receptacle	1
3	N/A	Wire Assembly, Sense Lead, Gray	1
4	N/A	Wire Assembly, #10 Red	1
5	N/A	Wire Assembly, #10 Black	1
6	101796801	Assembly, Fuse, 48-Volt (includes item 7)	1
7	1013061	Nut, Nylon Lock, #10	2
8	1017705	Screw, Phillips Pan-Head, #8 Type AB	3
9	101894901	Fuse, 3/8-Amp	1
10	101801001	Plate, Receptacle Backing	1
11	101832001	Screw, Phillips Pan-Head, #7-18 x 3/4	4
12	101797701	Battery, 8-Volt PowerDrive (includes item 13)	6
12	101797702	Battery, 8-Volt PowerDrive, Dry (includes item 13)	6
13	101797801	Cap, Battery, 4-Port Gang	1
14	101795701	Wire Assembly, #6 Black	5
15	1014304	Nut, Hex, Stainless Steel, 5/16-18	12
16	101090801	Hold-Down, Battery	3
17	1015072	Nut, Nylon Lock, Stainless Steel, 5/16-18	6
18	1011578	Washer, Flat, Type B Wide, 5/16	6
19	1013683	J-Bolt	6
20	102348501	DC/DC Converter (NY Vehicles Only) (includes items 21-24)	1
21	101947901	Bracket, DC/DC Converter	1
22	8056	Screw, #4-40 x 0.75 Round-Head Machine (not shown)	4
23	8058	Lockwasher, #4 Helical-Split (not shown)	4
24	1012431	Washer, #4 Flat (not shown)	4
25	1012285	Screw, 1/4-20 x 0.62, Hex Washer-Head	1
26	1012288	Screw, 5/16-18 x 0.75, Hex Washer-Head	1
27	102348701	Harness, Output, DC/DC Converter (not shown)	1

6

E



COMPUTER, CONTROLLER, AND SOLENOID – IQ SYSTEM VEHICLE

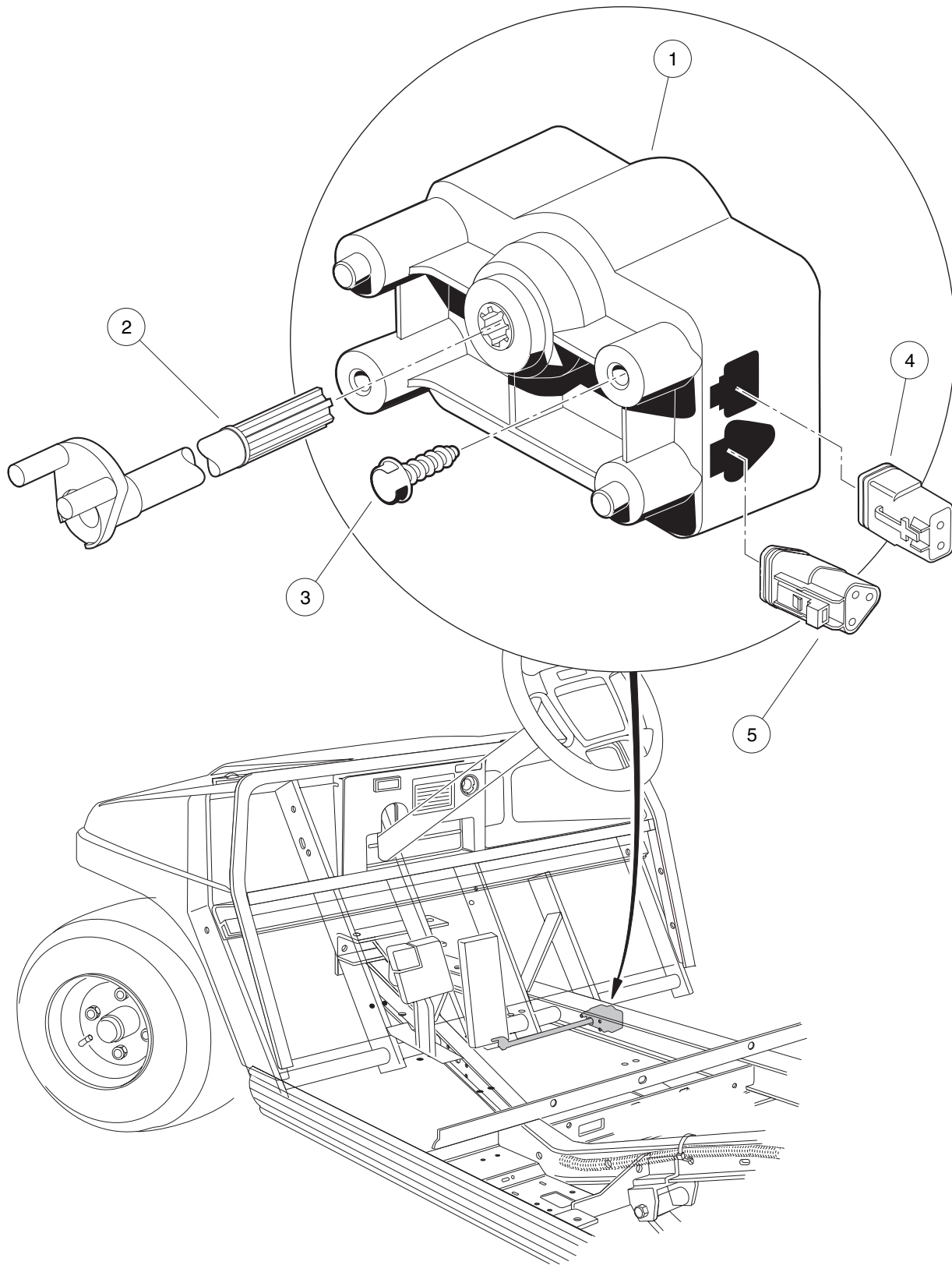
ITEM	PART NO.	DESCRIPTION	QTY
		1 2 3 4	
1	102258201	Controller, Private Speed IQ (For IQ-P Vehicles)	1
2	102240501	Screw, Hex Wash, M8 x 1-1/4 x 12 mm	3
3	1012285	Screw, Thread-Rolling, 1/4-20 x 5/8	8
4	102266501	Kit, Connector, IQ Controller	1
5	102240601	Cover, Controller (includes items 6 and 7)	1
6	102240801	Gasket, Controller	1
7	101931501	Decal, Electrical Component Cover	1
8	101965202	Plate, Component Mounting	1
9	1014288	Screw, Thread-Forming, 5/16-18 x 3/4	2
10	101910401	Screw, Thread-Forming, 5/16-18 x 1-1/4	2
11	101909902	Computer, Onboard (includes item 12)	1
12	101932601	Kit, 6-Pin Receptacle	1
13	101932701	Kit, 6-Pin Plug Assembly	1
14	101827801	Kit, Wire and Terminal, #6 Black	1
15	102259801	Block, Terminal (controller)	1
16	102263601	Wire Assembly, #10 Black	1
17	102263701	Screw, Phillips, Thread-Forming, #10-24 x 3/4	1
18	7174	Washer, Lock, 5/16	1
19	1242	Nut, Hex, 5/16-18	1
20	101908701	Solenoid, 48-Volt (with diode) (includes items 21 and 22)	1
21	1012528	Nut, M8 x 1-1/4	2
22	1013734	Washer, Lock, 8 mm	2
23	1014947	Assembly, Resistor	1
24	8639	Tie, Wire	1
25	****	Z-Bracket, Controller Cover	1
	****	Special order item available upon request.	

6

E

6

E



MOTOR CONTROLLER OUTPUT REGULATOR (MCOR)

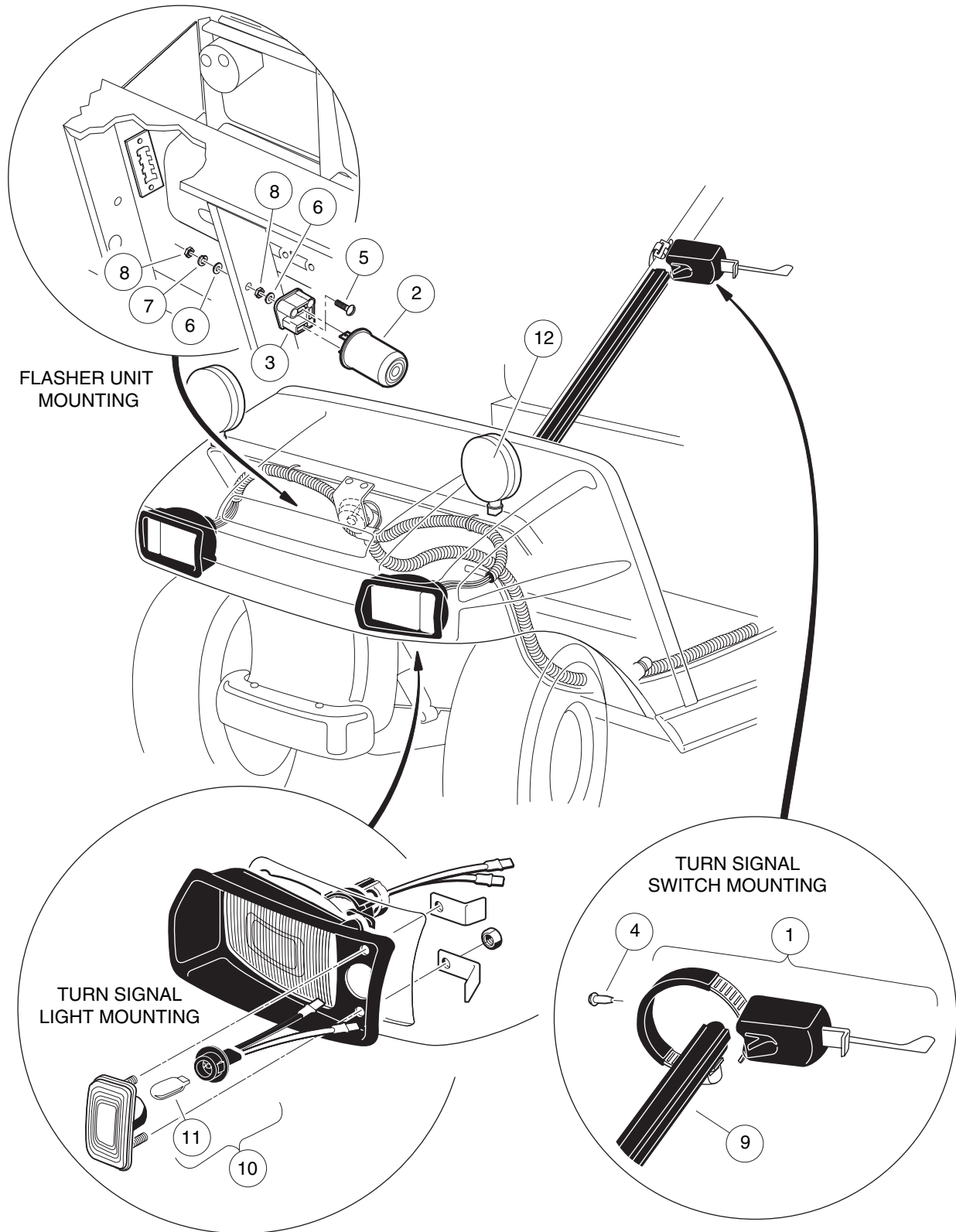
ITEM	PART NO.	DESCRIPTION	QTY
		1 2 3 4	
1	102101101	Regulator, Motor Controller Output (MCOR)	1
2	102101001	Bar, Drive	1
3	1015752	Screw, Hex Head, Hi-Lo, #12-16 x 5/8	2
4	101936801	Kit, 2-Pin Plug Assembly.....	1
5	101920101	Kit, 3-Pin Plug Assembly	1

6

E

6

E



TURN SIGNAL COMPONENTS

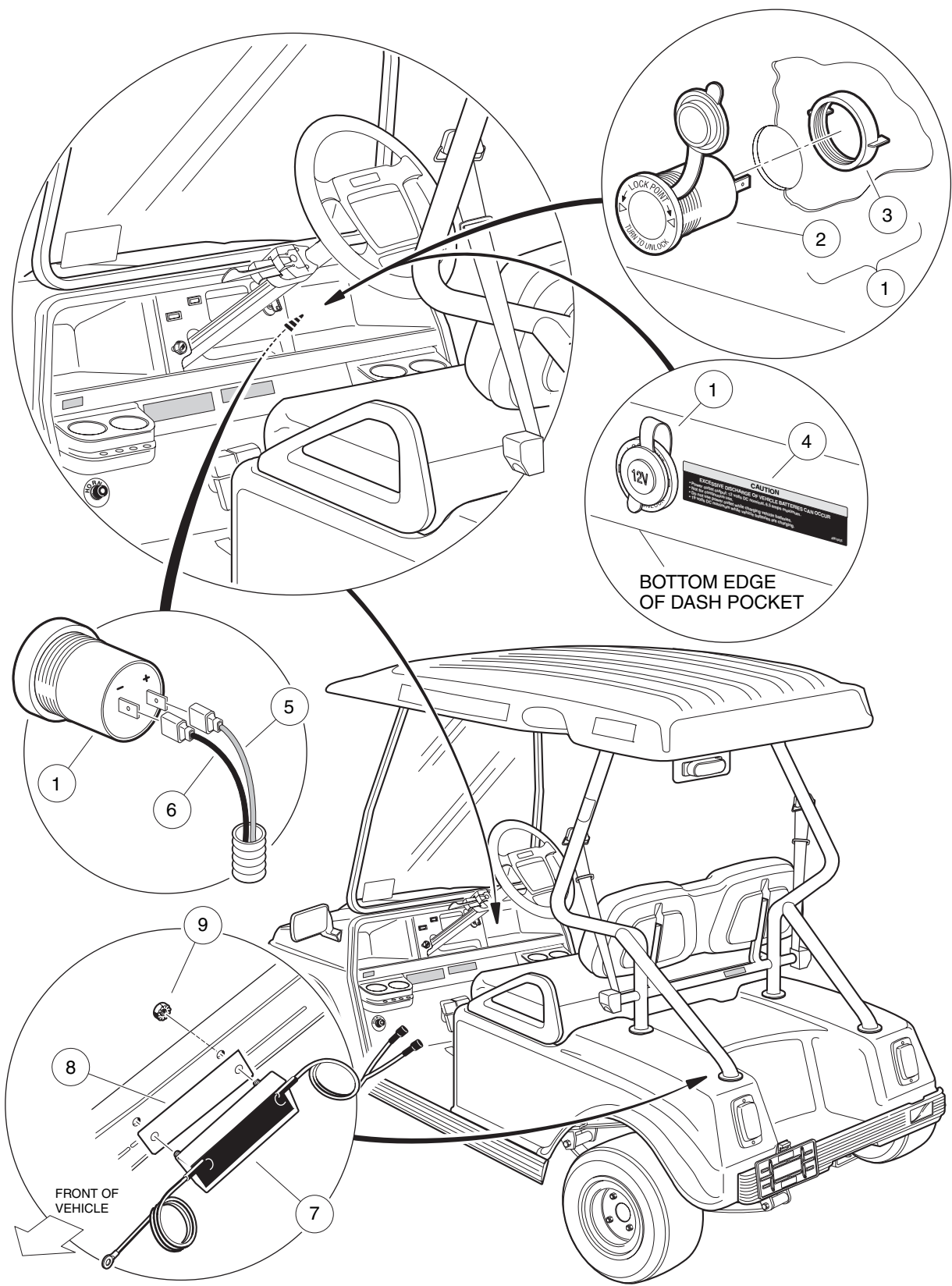
ITEM	PART NO.	DESCRIPTION	QTY
		1 2 3 4	
1	101159001	Sub-Assembly, Turn Signal (Includes Items 2 and 3)	1
2	102343101	Flasher	1
3	N/A	Base, Mount	1
4	1017724	Rivet, Plastic	1
5	8104	Screw, Round-Head Machine, #10 - 32 x 3/4	1
6	183	Washer, Flat, #10	2
7	1016	Washer, Lock, #10	1
8	7893	Nut, Hex, #10 - 32	2
9	1011492	Cover, Steering Column Wire.....	1
10	1017075	Assembly, Socket and Lamp (CA, MA, and VT Vehicles Only) (Includes Item 11)	2
11	1011583	Bulb, Turn Signal	1
12	102346901	Light, Turn signal (NY Vehicles Only) (Includes Item 13)*	2
13	102353801	Bulb (Not Shown) (NY Vehicles only)	1
14	102347001	Spacer, Turn Signal, Angled (Not Shown) (NY Vehicles only)	4
15	102348301	Wire Assembly, Turn Signal Jumper (Not Shown) (NY Vehicles only)	2
16	8613	Nut, 1/2-20 Hex-Head Jam (Not Shown) (NY Vehicles only)	4
17	209	Washer, Lock, 1/2-Inch Split (Not Shown) (NY Vehicles only)	2
*Item 12 requires mounting hardware (items 14-17).			

6

E

6

E



12-VOLT OUTLET ASSEMBLY

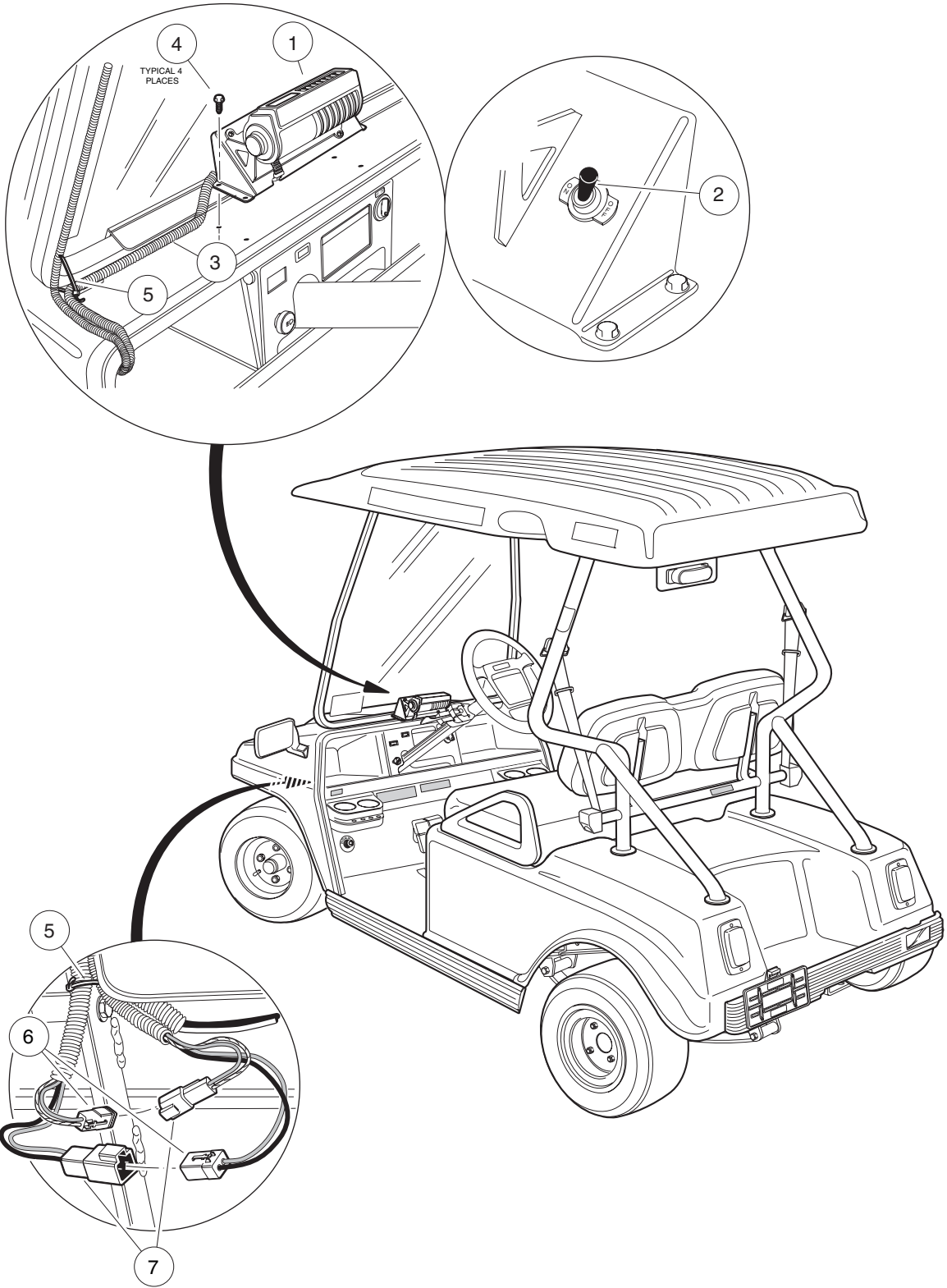
ITEM	PART NO.	DESCRIPTION	QTY
		1 2 3 4	
	AM10423	Kit, 12-Volt Outlet (Includes Items 1-9)	
1	AM10434	Accessory Plug (Includes Items 2 and 3)	1
2	N/A	Accessory Plug.....	1
3	N/A	Retainer Nut	1
4	AM10425	Decal, Caution, 12-Volt Outlet	1
5	N/A	Wire, #16 Red	1
6	N/A	Wire, #16 Black	1
7	101810501	Voltage Limiter	1
8	101962601	Gasket, Thermal, Voltage Limiter	1
9	101835601	Nut, Lock, 1/4-20	2

6

E

6

E



DEFROSTER KIT

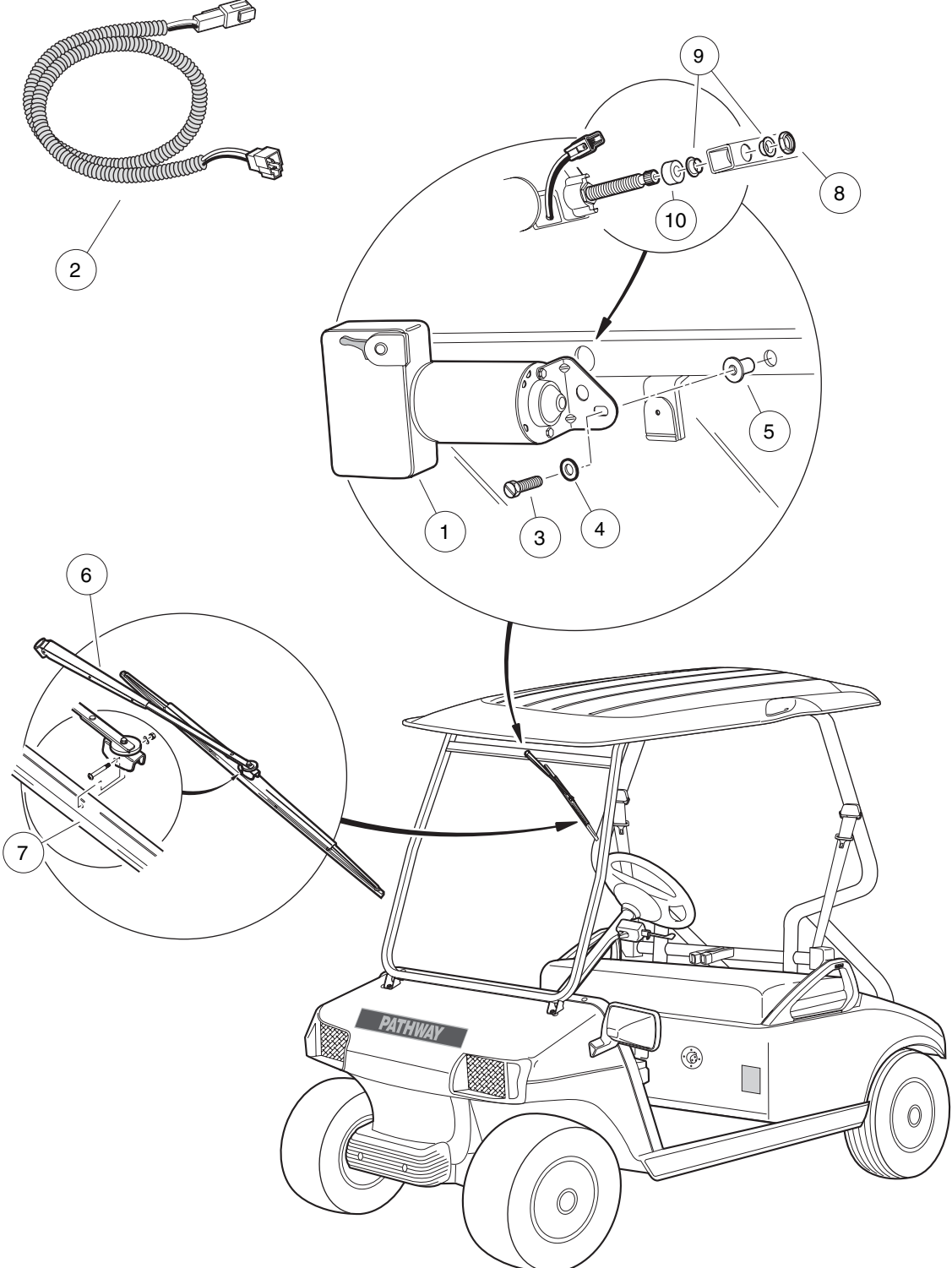
ITEM	PART NO.	DESCRIPTION	QTY
		1 2 3 4	
	102344801	Kit, Defroster (includes items 1-5)	1
1	102344901	Defroster Assembly (includes item 2)	1
2	102349101	Switch, Toggle, Illuminated, 15A	1
3	N/A	Harness, Defroster	1
4	1015752	Screw, Self-Tapping	4
5	101824101	Wire Tie, 8-inch	2
6	101936801	Kit, 2-Pin Plug Assembly	2
7	101936701	Kit, 2-Pin Receptacle Assembly	2

6

E

6

E



WINDSHIELD WIPER KIT (TYPE A)

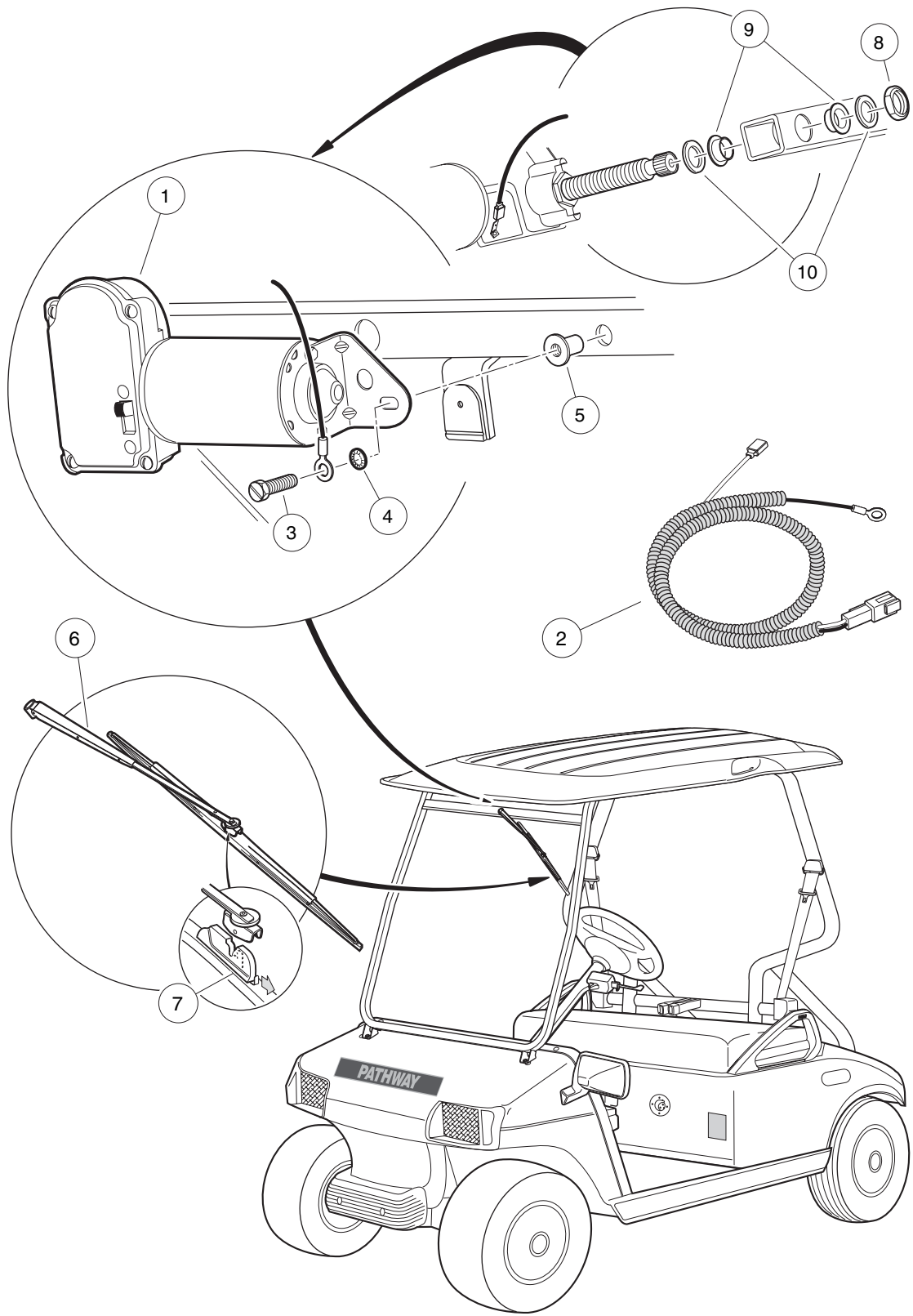
ITEM	PART NO.	DESCRIPTION	QTY
		1 2 3 4	
1	102341501	Motor, Wiper (Type A)	1
2	102331302	Harness, Wiper Motor (Type A)	1
3	1017082	Screw, 10-32 x 3/4 Hex-Head	1
4	1018038	Washer, #10 Narrow	1
5	102327901	Nut, Well, 10-32	1
6	102346201	Arm, Wiper (Fixed-Length)	1
7	102346101	Blade, Wiper	1
8	N/A	Nut, Jam, 5/8-24, 15/16-inch across flats	1
9	102332401	Bushing	2
10	102346001	Spacer, Wiper Motor	1
11	8990	Tie, Wire (Not Shown)	1
12	101824101	Tie, Wire, 5.5-inch Black (Not Shown)	4
<p>A windshield wiper kit is available (CCI 102332001). Depending on availability, the kit will include either a Type-A or Type B wiper motor.</p>			

6

E

6

E



WINDSHIELD WIPER KIT (TYPE B)

ITEM	PART NO.	DESCRIPTION	QTY
		1 2 3 4	
1	1014977	Motor, Wiper (Type B)	1
2	102331301	Harness, Wiper Motor (Type B)	1
3	1017082	Screw, 10-32 x 3/4 Hex-Head	1
4	8049	Washer, Lock, #10 Internal-Tooth	1
5	102327901	Nut, Well, 10-32	1
6	1014979	Arm, Wiper (Adjustable)	1
7	1014980	Blade, Wiper	1
8	N/A	Nut, Jam, 5/8-24, 3/4-inch across flats	1
9	102332401	Bushing	2
10	102339701	Washer, 5/8-inch Flat	2
11	8990	Tie, Wire (Not Shown)	1
12	101824101	Tie, Wire, 5.5-inch Black (Not Shown)	4
<p>A windshield wiper kit is available (CCI 102332001). Depending on availability, the kit will include either a Type-A or Type B wiper motor.</p>			

6

E

6

E

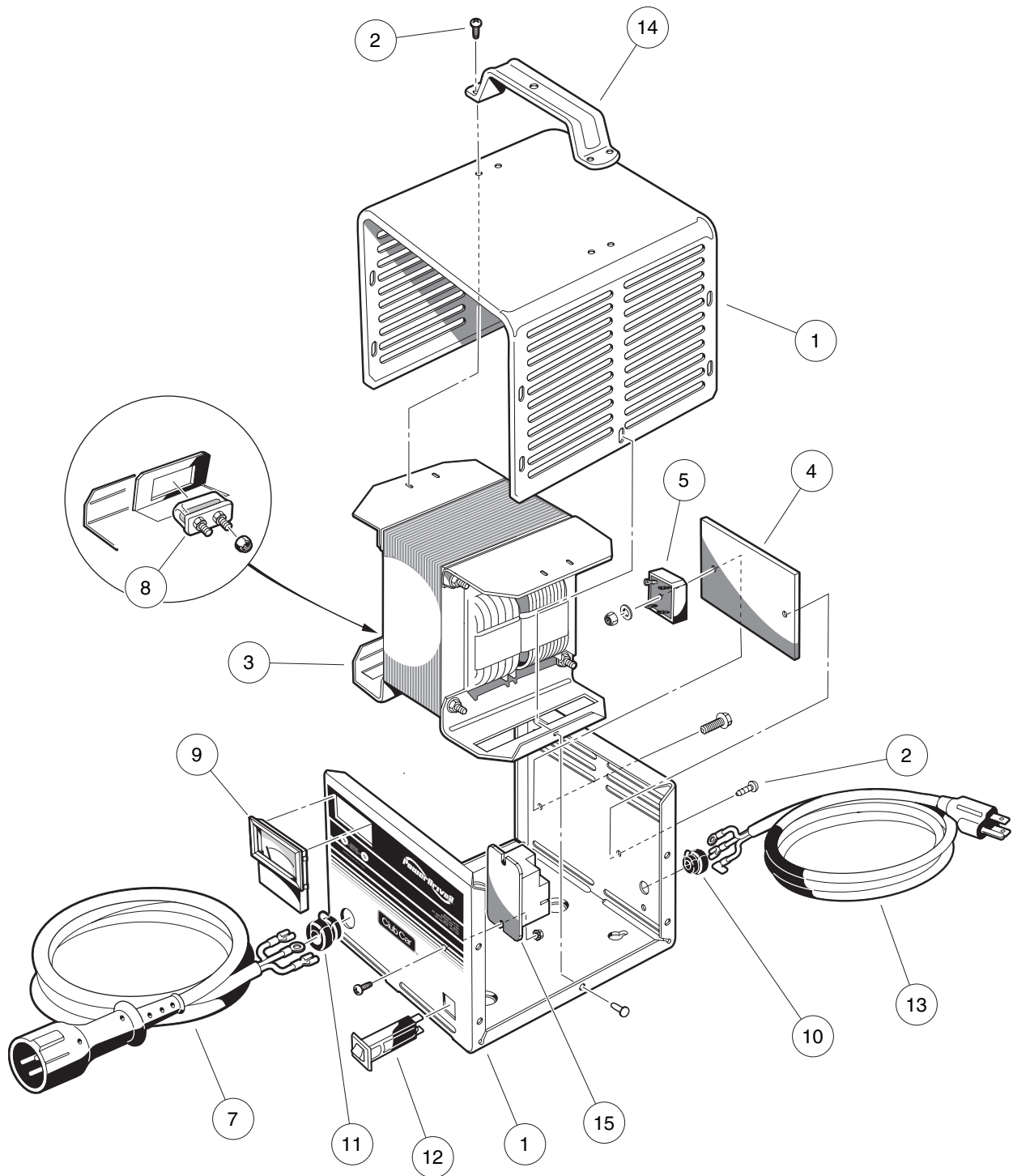
BATTERY CHARGER

7

E

7

E



POWERDRIVE 2 BATTERY CHARGER, DOMESTIC

ITEM	PART NO.	DESCRIPTION	QTY
		1 2 3 4	
	101802204	Charger, Battery, PowerDrive 2, Domestic 120-V AC 48-V DC 60-Hz (model number 22110-11) (includes items 1 - 15) 103-inch DC cord with male 3-pin plug, 12-AWG 74-inch AC cord with male grounded plug	1
	101802205	Charger, Battery, PowerDrive 2, 120-V AC 48-V DC 60-Hz (model number 22110-18) (includes items 1 - 15) 144-inch DC cord with male 3-pin plug, 12-AWG 108-inch AC cord with male grounded plug	1
	101802206	Charger, Battery, PowerDrive 2, 120-V AC 48-V DC 60-Hz (model number 22110-19) (includes items 1 - 15) 240-inch DC cord with male 3-pin plug, 12-AWG 108-inch AC cord with male grounded plug	1
1	102273201	Assembly, Case (includes item 2)	1
2	7577	Screw, Pan-Head, Self-Tapping, #10-16 x 1/2	12
3	102273301	Assembly, Transformer (includes rivets)	1
4	102273401	Plate, Heatsink	1
5	102273501	Assembly, Diode with Heatsink Film (includes mounting hardware)	1
6	102273601	Kit, Wire Assembly (not shown)	1
7	101828904	Cordset, DC, 113-Inch Long with Male 3-Pin Plug, 12-AWG	1
7	101828905	Cordset, DC, 154-Inch Long with Male 3-Pin Plug, 12-AWG	1
7	101828906	Cordset, DC, 250-Inch Long with Male 3-Pin Plug, 12-AWG	1
8	102273701	Assembly, Fuse, 30-Amp (includes terminal hardware)	1
9	102273801	Ammeter (includes mounting hardware)	1
10	102273901	Bushing, Strain Relief, AC Cord	1
11	1012098	Bushing, Strain Relief, DC Cord, 12-AWG	1
12	101828701	Breaker, Circuit, 15-Amp	1
13	101828801	Cordset, AC, 80-Inch Long	1
13	101828802	Cordset, AC, 116-Inch Long	1
14	102274001	Handle, PowerDrive 2 Charger (with four screws)	1
15	101828601	Relay, Power, 48-V DC	1

7

E

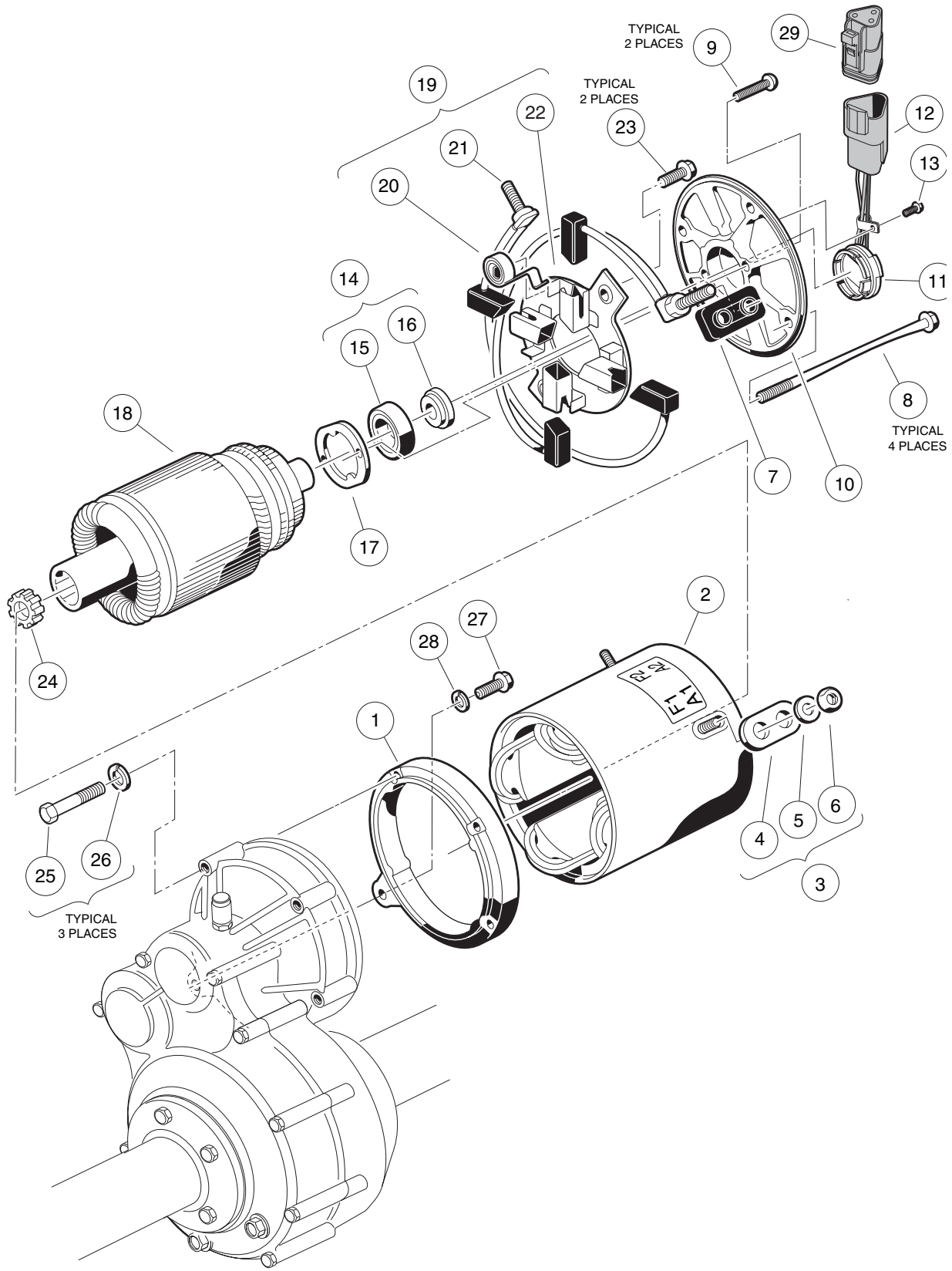
7

E

MOTOR

8

E



MOTOR – IQ SYSTEM VEHICLE

ITEM	PART NO.	DESCRIPTION	QTY
		1 2 3 4	
	102240102	Assembly, 48-Volt IQ Motor, 3.20-hp (includes items 1 - 23)	1
1	1017944	Shield, End	1
2	102265501	Assembly, Stator Shell and Winding	1
3	1017947	Package, Hardware (includes items 4 - 7)	1
4	N/A	Bushing, Insulator	2
5	N/A	Washer, Flat, 5/16	4
6	N/A	Nut, Hex, 5/16-18	4
7	N/A	Bushing, Insulator	2
8	102266101	Screw, Clamp, #10-32 x 8-1/4	4
9	1017953	Screw, Bearing Retainer, #8-32 x 7/8	2
	102265901	Assembly, End Shield (includes items 10 - 13)	1
10	102266001	Shield, End	1
11	102265601	Sensor, Motor Speed (includes item 12)	1
12	101942301	Housing, Female 3-Wire, Gray	1
13	102267001	Screw, Steel Hex, Thread-Rolling, #8 x 3/8	1
14	102265701	Kit, Bearing and Magnet (includes items 15 and 16)	1
15	N/A	Bearing, Ball	1
16	N/A	Magnet	1
17	1017950	Retainer, Bearing	1
18	N/A	Armature	1
19	102327801	Assembly, Brush Rigging (includes items 20 - 22)	1
20	1011411	Package, Brush Spring (4 pieces)	1
21	102251901	Package, Brush (2 pieces) (includes 4 brushes)	1
22	1017948	Rigging, Brush	1
23	1017949	Screw, Brush Holder, #6-32 x 1/2	2
24	102235201	Bumper, Motor	1
25	1014201	Screw, Hex-Head Cap, 1/4-20 x 2-1/4	3
26	451	Washer, Lock, 1/4	3
27	1010934	Screw, Hex-Head Cap, 5/16-18 x 1	1
28	7174	Washer, Lock, 5/16	1
29	101920101	Kit, 3-Pin Plug Assembly, Gray	1

8

E

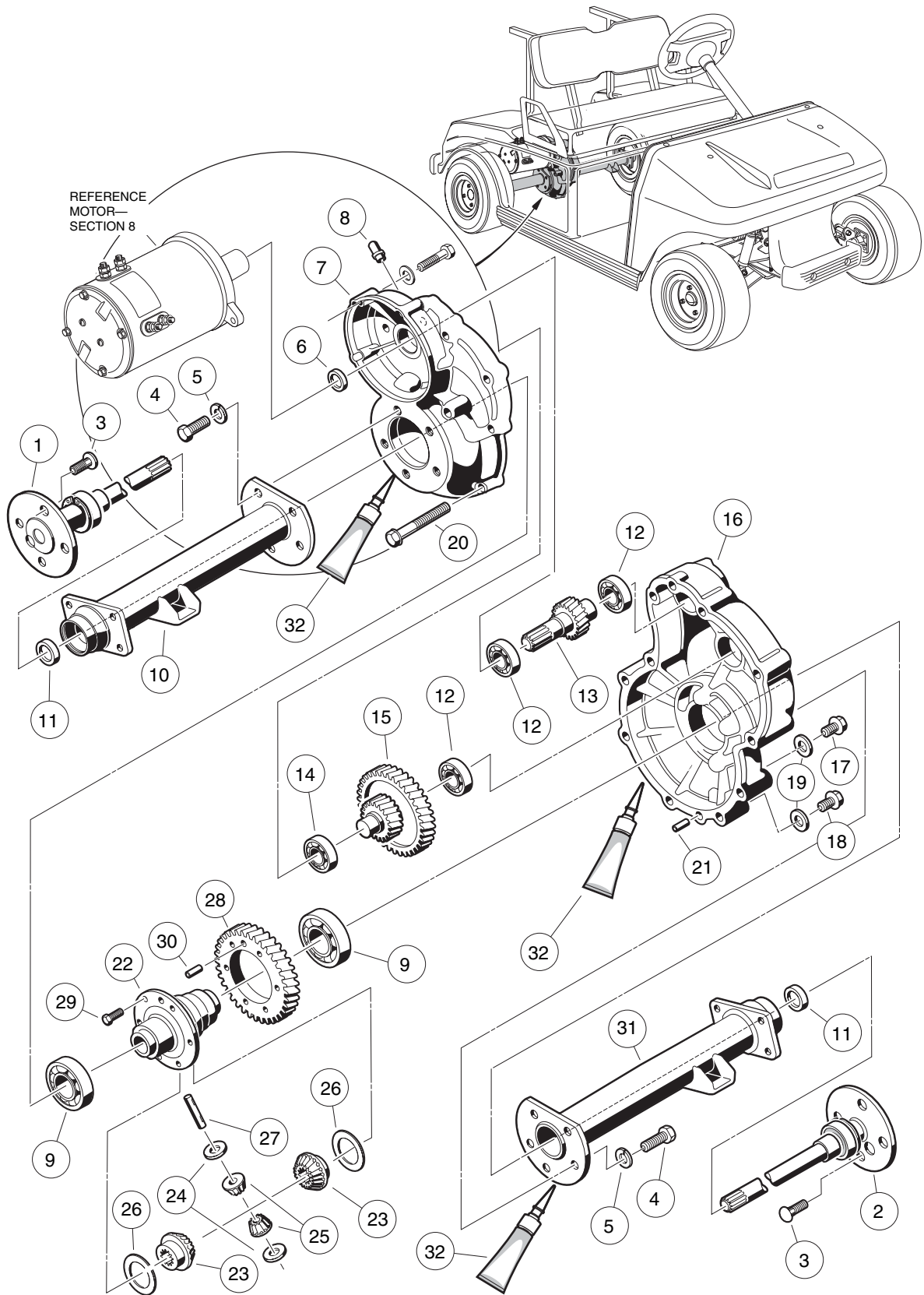
8

E

TRANSAXLE – 10.3:1

9

E



TRANSAXLE, TYPE G, 10.3:1 – ELECTRIC VEHICLE

ITEM	PART NO.	DESCRIPTION	QTY
		1 2 3 4	
	101896003	Transaxle, Type G (10.3:1 Gear Ratio) (includes items 1 - 32)	1
1	101895801	Axle Assembly, Passenger-Side (includes item 3)	1
2	101895901	Axle Assembly, Driver-Side (includes item 3)	1
3	101922201	Stud, Lug	4
4	101976001	Bolt, M10 x 1.5 x 35 mm	10
5	101897901	Washer, Lock	10
6	101923501	Seal, Oil, Input Shaft	1
7	101895501	Gear Case, Passenger-Side	1
8	101897201	Breather	1
9	7330	Bearing, Differential	2
10	101895601	Assembly, Axle Tube, Passenger-Side	1
11	1013794	Seal, Oil, Axle Shaft	2
12	7335	Bearing, Input Gear.....	3
13	101923701	Shaft, Input	1
14	7336	Bearing, Intermediate Gear	1
15	102351201	Assembly, Intermediate Gear, 10.3:1	1
16	101895401	Gear Case, Driver-Side	1
17	101972201	Plug, Fill	1
18	101972101	Plug, Magnetic	1
19	101923201	Gasket, Plug	2
20	101897001	Bolt, M8 x 1.25 x 60 mm	11
21	101897601	Pin, Dowel	2
22	101923601	Housing, Differential	1
23	101923901	Gear, Differential	2
24	101903601	Plate, Thrust (idler gear)	2
25	101923001	Gear, Differential Idler	2
26	101903701	Plate, Thrust	2
27	101922101	Pin, Differential	1
28	102351301	Gear, Output, 10.3:1	1
29	101897401	Bolt, M10 x 1.5 x 25 mm	4
30	101972401	Pin, Dowel	1
31	101895701	Assembly, Axle Tube, Driver-Side	1
32	101928701	Gasket, Liquid, 8.8 oz. (250 g)	A/R
		<p>Note: Transaxle type is identified by orientation of Gear Case Bolts (Item 20). The Type G Transaxle has Gear Case Bolt heads facing toward the passenger side of the vehicle.</p>	

9

E

9

E

MAINTENANCE AND SERVICE TOOLS

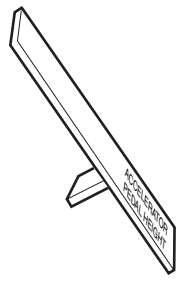
10

G

E

D

**10
G
E
D**



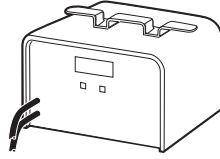
1



2



3



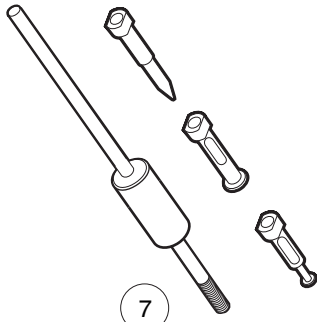
4



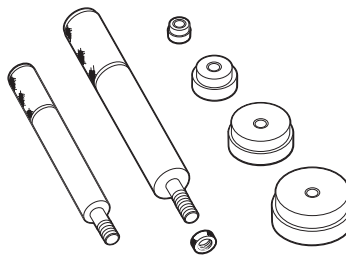
5



6



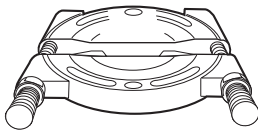
7



8



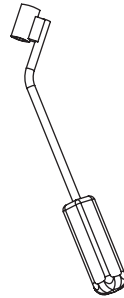
9



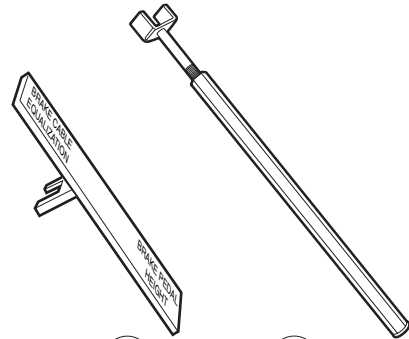
10



11



12



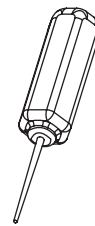
14 15
13



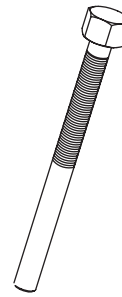
16



17



18



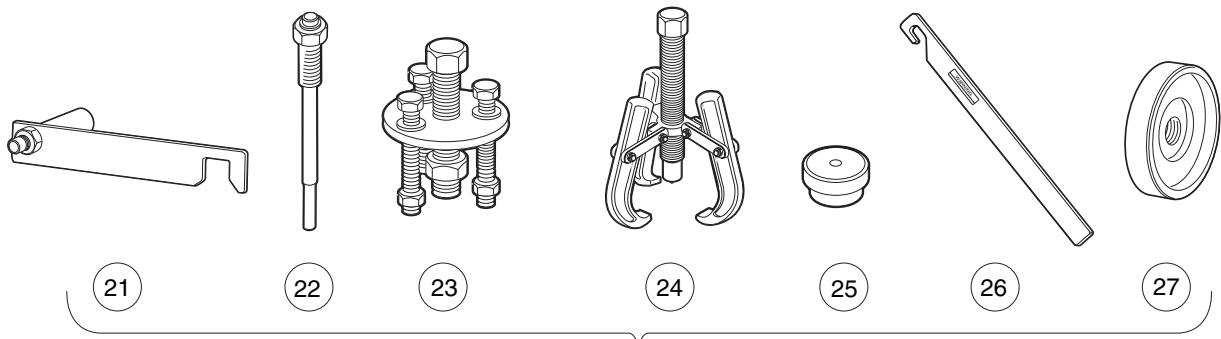
19

MAINTENANCE AND SERVICE TOOLS

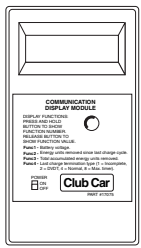
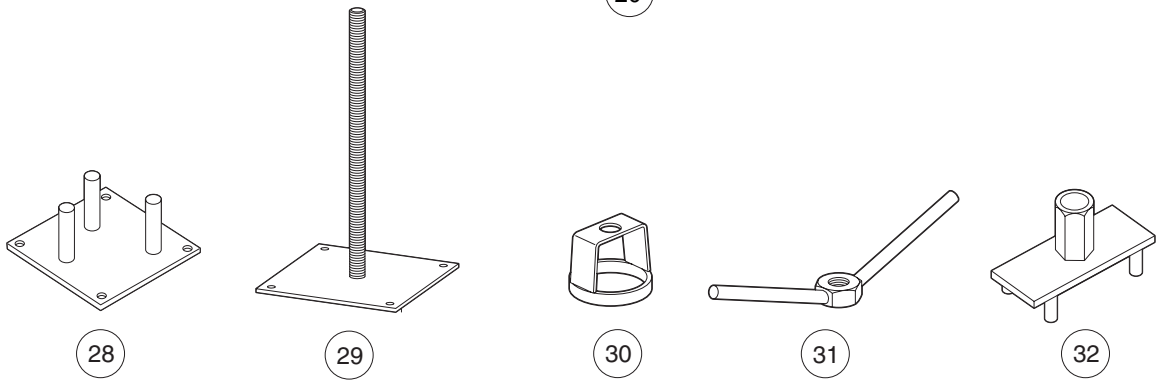
ITEM	PART NO.	DESCRIPTION	QTY DIESEL	QTY GAS	QTY ELEC
		<p style="text-align: center;">1 2 3 4</p> <p>The following tool list includes all tools available from Club Car for maintenance and service procedures for gasoline, electric, and/or diesel vehicles, both past and present models. Be sure to carefully examine the tool list for applicability to your vehicle before ordering.</p>			
1	101871001	Accelerator Pedal Adjustment Tool		1	1
2	101813202	Adhesive, Guide Ring, 3-Gram Tube			1
3	101641202	Arbor		1	
4	101831901	Battery Discharge Machine, 36/48 Volt			1
5	1014305	Battery Terminal Protector Spray	1	1	1
6	1011767	Battery Thermometer	1	1	1
7	1016417	Bearing and Oil Seal Remover Assembly	1	1	1
8	1016416	Bearing Driver Set	1	1	1
9	1012811	Bearing Puller	1	1	1
10	1012812	Bearing Puller Wedge Attachment	1	1	1
11	1013582	Brake Adjustment Tool (used only on vehicles with manually adjusted mechanical brakes)		1	1
12	102555501	Brake Cable Release Tool	1	1	1
13	102249901	Brake Pedal Adjustment Tool Kit (used for the Carryall Electric Industrial Truck only) (includes items 14 and 15).....			1
14	****	Brake Pedal Adjustment Tool			1
15	****	Brake Pedal Tension Tool			1
16	101887101	Calibration Test Module			1
17	101808401	Cam Installation Tool		1	
18	102562401	Charger Bezel Tool			1
19	102686101	Clutch Removal Tool (for 4x4 vehicles).....	1	1	
		<p>Please refer to the maintenance and service manual for proper tool application.</p> <p>**** Special order item available upon request</p>			

10
G
E
D

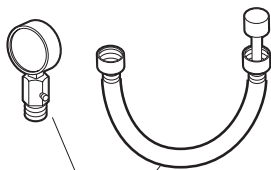
10
G
E
D



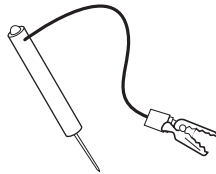
20



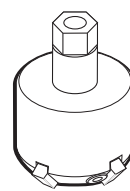
33



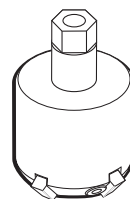
34



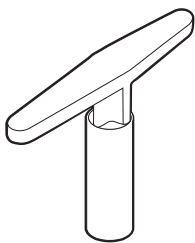
35



36



37



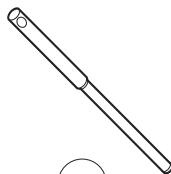
38



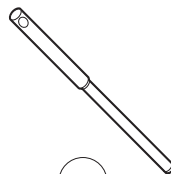
39



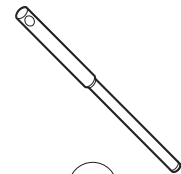
40



41



42

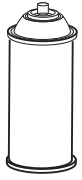


43

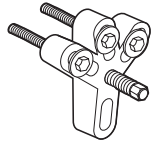
MAINTENANCE AND SERVICE TOOLS, CONTINUED

ITEM	PART NO.	DESCRIPTION	QTY	QTY	QTY	10
			DIESEL	GAS	ELEC	
		1 2 3 4				G
20	1014510	Clutch Tool Kit (includes items 21 - 27)		1		E
21	1014498	Clutch Alignment Tool (for pre-unitized transaxle vehicles built prior to 1997 model year)		1		D
22	1014496	Drive Clutch Puller (for Kawasaki engines only)		1		
23	1014497	Drive Clutch Hub Puller (for Kawasaki engines only)		1		
24	1014508	Driven Clutch Cam Puller (for Kawasaki engines only)		1		
25	1014507	Driven Clutch Puller Plug (for Kawasaki engines only)		1		
26	1015524	Drive Clutch Holder Tool Assembly (for Kawasaki engines only)		1		
27	101809101	Press Weldment (for Kawasaki engines only)		1		
28	102601501	Drive ClutchFixed Sheave Tool (for 4x4 vehicles).....	1	1		
29	102603501	Driven Clutch Spring Compression Base (for use with items 30 and 31) (for 4x4 vehicles)	1	1		
30	102605201	Driven Clutch Spring Compression Collar (for use with items 29 and 31) (for 4x4 vehicles)	1	1		
31	102606101	Driven Clutch Spring Compression Nut (for use with items 29 and 30) (for 4x4 vehicles)	1	1		
32	102607501	Drive Clutch Spider Removal Tool (for 4x4 vehicles).....	1	1		
33	101831801	Communication Display Module			1	
34	101641002	Compression Gauge and Adapter		1		
35	1011273	Continuity Tester		1	1	
36	102773801	Cutter, Valve Seat, #122		1		
37	102773901	Cutter, Valve Seat #115.....		1		
38	102774101	Wrench, T, #505		1		
39	102774101	Adapter, T-Wrench		1		
40	102675401	Cutter, Valve Seat, 60 Degree (requires item 51) (for Honda GX620 Gasoline Engines)		1		
41	102774201	Pilot, 6.6 MM		1		
42	102774301	Pilot, 6.62 MM		1		
43	102774401	Pilot, 6.65 MM		1		
		Please refer to the maintenance and service manual for proper tool application.				

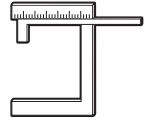
10
G
E
D



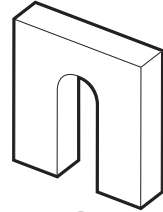
44



45



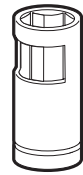
46



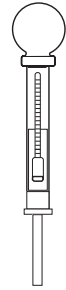
47



48



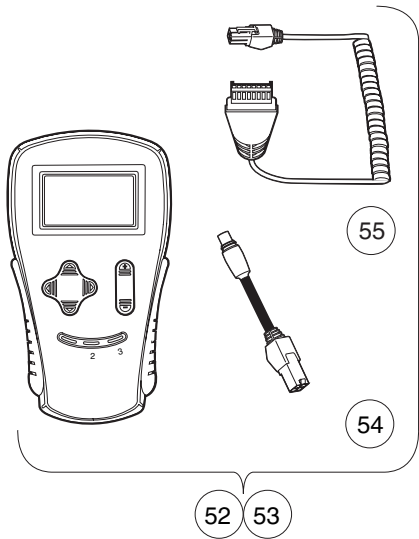
49



50



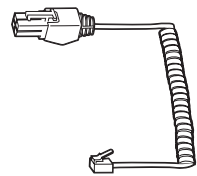
51



52 53

55

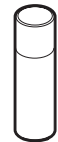
54



56



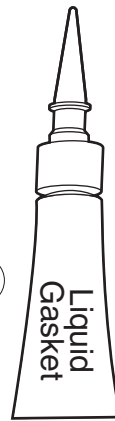
58



59 60



61



57

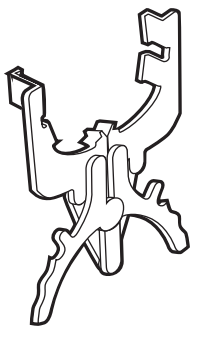
MAINTENANCE AND SERVICE TOOLS, CONTINUED

ITEM	PART NO.	DESCRIPTION	QTY	QTY	QTY	10
			DIESEL	GAS	ELEC	
		1 2 3 4				G
44	1012151	Dry Moly Lubricant	1	1	1	E
45	1016627	Flywheel Puller Kit (for Kawasaki Engines)		1		D
46	102669901	Gauge, Carburetor Float Level (for Honda GX620 Gasoline Engines)		1		
47	1016418	Gear Yoke	1	1	1	
48	101933101	Governor Shaft Installation Tool (for Kawasaki Engine Vehicles) ...		1		
49	102169401	Hydraulic Brake Adjuster (for Turf/CA 272/472, Pioneer/XRT 1200, Bobcat 2100, HUV 4213)			1	
50	1011478	Hydrometer	1	1	1	
51	1013593	Internal Retaining Ring Pliers	1	1	1	
52	102248803	IQ Display Module (IQDM) Kit (for IQ System vehicles only)			1	
		(includes items 54 and 55)				
53	102248804	IQ Display Module (IQDM-P) Kit (for IQ System vehicles only)			1	
		(includes items 54 and 55)				
54	102251501	Adaptor, Cable			1	
55	102241502	IQDM Series 2 Cable			1	
56	102241501	IQDM Series 1 Cable (replacement)			1	
57	101928701	Liquid Gasket (transaxle case)	1	1	1	
58	102243402	Moly-Teflon Lubricant (4-oz. (113-gram) tube)			1	
59	101997201	Paint, Touch-Up – Beige*		1	1	
59	101997207	Paint, Touch-Up – Black*		1	1	
59	101997212	Paint, Touch-Up – Burgundy*		1	1	
59	101997211	Paint, Touch-Up – Classic Blue (Navy)*		1	1	
59	101997205	Paint, Touch-Up – Dark Gray*	1	1	1	
59	101997209	Paint, Touch-Up – Dark Green*	1	1	1	
59	101997204	Paint, Touch-Up – Gray*	1	1	1	
59	101997203	Paint, Touch-Up – Red*	1	1	1	
59	101997206	Paint, Touch-Up – Royal Blue (Pacific Blue)*		1	1	
59	101997202	Paint, Touch-Up – White*	1	1	1	
60	102562301	Paint, Precedent Underbody – Gray	1	1	1	
61	102587201	Paint Pen, Touch-Up, Precedent Underbody – Black	1	1	1	
		Please refer to the maintenance and service manual for proper tool application.				

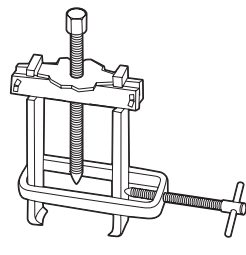
**10
G
E
D**



62



63



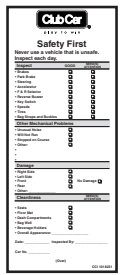
64



65



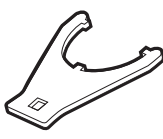
66



67



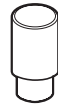
68



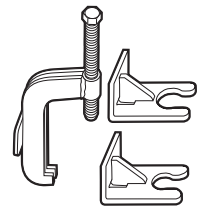
69



70



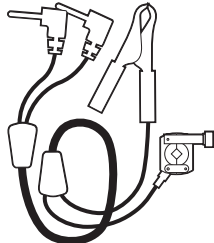
71



72



73



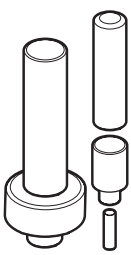
74



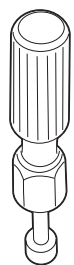
75



76



77



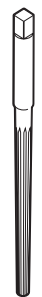
82



83



84



85

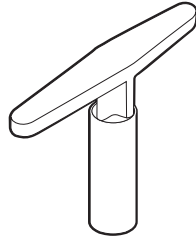
MAINTENANCE AND SERVICE TOOLS, CONTINUED

ITEM	PART NO.	DESCRIPTION	QTY	QTY	QTY	10
			DIESEL	GAS	ELEC	
		1 2 3 4				G
62	1016414	Piston Ring Compressor Kit (FE290, FE350 and FE400 engines) .		1		E
63	1016415	Piston Ring Pliers (for Kawasaki Engines)		1		D
64	102668801	Puller, Special Use (for Kubota D722 Diesel Engines)	1			
65	1012549	Retaining Ring Pliers, 45° External	1	1	1	
66	1012560	Retaining Ring Pliers, 90° Internal	1	1	1	
67	101823101	Safety First Card (50 per pack)	1	1	1	
68	1012809	Seal Puller	1	1	1	
69	102330901	Spanner Wrench (for coil over shock front suspension vehicles only)	1	1		
70	1014264	Steering Column Bearing Press Tool		1	1	
71	1014259	Steering Column Retaining Ring Tool		1	1	
72	102061201	Steering Wheel Puller Tool	1	1	1	
73	AM10753	Tachometer (includes gasoline engine pick up lead only)	1	1		
74	AM10771	Tachometer Diesel Probe (for use with item 73)	1			
75	1014162	Transaxle Axle Seal Tool		1		
76	1014161	Transaxle Pinion Seal Tool		1		
77	1014115	Transmission Tool Kit		1		
78	101611003	Tune-Up Kit, All OHV (for Kawasaki Engines) (includes air filter, spark plug, oil filter, fuel filters) (not shown)			1	
79	AM11804	Tune-Up Kit, Gx620 (for Honda Engines) (includes air filter, spark plug, oil filter, fuel filters) (not shown)			1	
80	AM11805	Tune-Up Kit, D722 (for Kubota Engines) (includes air filter, oil filter, fuel filters, water separator filter) (not shown)	1			
81	AM1220301	Tune-Up Kit, Precedent (for FE290/350 Engines) (includes air filter, spark plug, oil filter, fuel filters) (not shown)				1
82	1016413	Valve Clearance Adjuster Screw Holder (for FE290 engines only) .		1		
83	102674601	Valve Guide Driver (for Honda GX620 Gasoline Engines)		1		
84	101641201	Valve Guide Reamer (FE290, FE350, and FE400 only)		1		
85	102674401	Valve Guide Reamer, 6.6 mm (for Honda GX620 Gasoline Engines)		1		
		* Item 64 is not for use on Surlyn® body material, which is used on Precedent vehicles.				

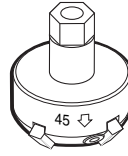
10
G
E
D



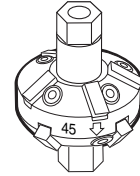
86



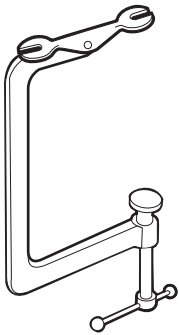
87



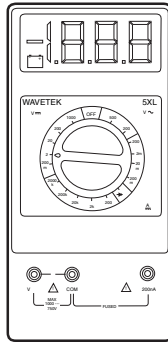
88



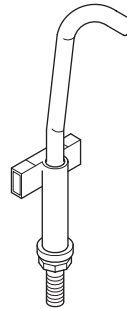
89



90



91



92

MAINTENANCE AND SERVICE TOOLS, CONTINUED

ITEM	PART NO.	DESCRIPTION	QTY DIESEL	QTY GAS	QTY ELEC
		1 2 3 4			
86	1016552	Valve Seat Cutter Guide		1	
87	1016551	Valve Seat Cutter T-Wrench		1	
88	1016553	Valve Seat Cutter, 45° (32 mm diameter) (for FE290 engines only)		1	
89	1016554	Valve Seat Cutter, 45°/30° (35 mm diameter)		1	
90	101641101	Valve Spring Compressor		1	
91	1011480	Volt Ohm Meter	1	1	1
92	102570401	Tool, Tensioning, Starter Generator (For Precedent vehicles)		1	

10

G

E

D

10

G

E

D

INDEX

Part Number and Page

AM10753	10-9	8745	5-9	1011494	4-3, 4-7
AM10771	10-9	8754	1-7, 4-9, 5-3, 5-5, 5-7, 5-9, 5-11	1011497	6-13
183	6-17, 6-25	8755	5-9	1011498	6-13
209	6-11, 6-25	8861	5-7	1011524	1-11
304	6-11	8990	5-5, 6-13, 6-17, 6-31, 6-33	1011557	6-13, 6-15
320	5-7	8755	5-11	1011558	6-13
332	1-7, 1-9, 6-11, 6-17	1010005	5-9	1011571	6-13
334	1-7, 4-9, 5-3, 5-5	1010124	5-7	1011578	6-19
357	5-9	1010138	5-7	1011582	6-13
451	4-3, 4-7, 8-3	1010145	5-11	1011583	6-25
706	5-9	1010150	5-9	101159001	6-25
1016	6-17, 6-25	1010177	5-9	1011610	6-13
1028	4-5	1010219	5-7	1011627	1-11
1032	4-5	1010434	1-3	1011652	1-9
1035	4-3, 4-5, 4-7, 5-5, 5-7	1010435	1-5	1011694	4-9
1241	1-5, 4-5, 4-9, 6-15	1010543	1-9	1011697	1-3, 5-3
1242	4-5, 6-21	1010805	4-5	1011700	4-9
1308	5-7	1010829	4-3, 4-5, 4-7	1011767	10-3
1620	1-3	1010850	4-3, 4-7	1011779	4-3, 4-5, 4-7
1624	4-9, 5-5	1010877	4-5	1011825	6-11
2402	5-7	1010878	4-5	1011843	6-13
4029	6-11	101090801	6-19	101187702	4-5
7048	5-9	1010921	4-5	1011887	5-9
7173	6-15	1010927	4-5	1011892	5-9
7174	4-7, 5-3, 6-21, 8-3	1010932	4-5	1011930	5-5, 5-7
7251	1-5	1010933	4-5	1012030	5-9
7310	2-3	1010934	8-3	1012047	1-7
7330	9-3	1010974	5-11	1012098	7-3
7335	9-3	1010984	2-3, 5-9	1012151	10-7
7336	9-3	1011014	1-5	1012159	1-7
7473	1-3, 1-5, 4-5, 4-9, 6-15	1011017	1-5	1012181	5-11
7479	1-7	1011019	1-3	1012182	5-11
7539	5-7	1011114	4-3, 4-7	1012285	6-21
7540	5-5, 5-7	1011137	4-7	1012303	5-9, 5-11
7555	5-5, 5-7	1011154	4-3, 4-7	1012412	1-7
7569	5-11	1011229	6-11	1012438	6-17
7577	7-3	1011273	10-5	1012467	5-5
7591	6-11, 6-13	1011280	6-15	1012505	6-15
7602	5-5, 5-7	1011303	4-3, 4-7	1012528	6-21
7716	4-5, 4-9	1011304	5-9	1012549	10-9
7820	6-11	1011382	1-3	1012560	10-9
7840	5-9	1011393	5-9	1012604	5-3
7847	1-3	1011394	1-5	1012605	5-3
7893	6-25	1011402	4-5	1012809	10-9
7910	5-9	1011411	8-3	1012811	10-3
7973	1-3	1011415	5-11	1012812	10-3
8049	6-33	1011418	4-5	1013032	1-7
8067	5-9	1011439	6-15	1013035	5-5
8104	6-25	101146302	4-3, 4-7	1013042	5-5
8233	1-7, 4-9, 6-11, 6-17	1011464	4-3, 4-7	1013044	5-5
8248	6-17	1011465	4-3, 4-7	1013051	5-5
8251	1-7	1011466	4-3, 4-7	1013052	5-5
8613	6-11, 6-25	1011467	4-3, 4-7	1013061	6-19
8639	6-11, 6-21	1011478	10-7	1013135	5-9
		1011480	10-11	1013164	5-11
		1011492	6-25	1013207	4-3, 5-11

INDEX

1013343	1-3	1015072	6-19	1016876	1-3
1013344	1-3	1015524	10-5	1016879	6-11
1013357	6-11	1015525	1-7	1016880	6-11
1013461	6-11	1015528	1-11	1016916	1-9
1013494	1-3	1015545	5-3	101693901	1-5
1013531	4-5	1015583	5-9, 5-11	1016952	1-3
1013582	10-3	1015597	5-5, 5-7, 5-9	1016967	1-5
1013593	10-7	1015741	6-17	1017	6-17
1013683	6-19	1015752	6-23	1017029	4-5
1013734	6-21	101611003	10-9	1017035	6-13
1013794	9-3	101615502	5-3	1017064	6-11
1013857	6-15	1016156	5-3	1017065	6-11
1013861	5-3	1016181	5-3	1017075	6-25
1013869	4-5	1016183	5-3	1017079	1-3
1013870	4-5	1016263	5-3	1017080	1-5
1013871	4-9	1016269	5-3	1017082	6-31, 6-33
1013876	4-5	1016346	5-7	101708301	1-3
1013924	4-3, 4-7	1016349	5-7	1017141	1-7
1013983	1-5	1016350	5-7	1017211	4-5
1014007	4-5, 4-9	1016353	5-7	1017226	5-3
1014115	10-9	1016356	6-11	1017232	4-7
1014125	5-3	1016363	6-17	1017235	5-11
1014126	5-3	1016366	6-17	1017266	5-7
1014153	4-3, 4-7	1016379	1-3	1017273	5-3
1014161	10-9	1016384	5-9	1017378	4-9
1014162	10-9	1016385	5-7	1017380	4-9
1014201	8-3	1016386	5-9	1017424	4-9
1014213	5-3	1016387	5-9	101768202	1-3
1014214	5-3	1016389	5-9	1017696	4-9
1014216	5-3	101641002	10-5	1017699	6-13
1014217	5-3	101641101	10-11	1017705	6-19
1014236	5-11	101641201	10-9	1017724	6-15, 6-25
1014259	10-9	101641202	10-3	1017748	1-7
1014264	10-9	1016413	10-9	1017814	1-7
1014276	5-9	1016414	10-9	1017815	1-7
1014288	5-3, 6-21	1016415	10-9	1017853	6-11, 6-13
1014304	6-19	1016416	10-3	101791101	4-3
1014305	10-3	1016417	10-3	1017936	1-7
1014306	1-7	1016418	10-7	1017944	8-3
1014496	10-5	1016423	6-17	1017947	8-3
1014497	10-5	1016551	10-11	1017948	8-3
1014498	10-5	1016552	10-11	1017949	8-3
1014507	10-5	1016553	10-11	1017950	8-3
1014508	10-5	1016554	10-11	1017953	8-3
1014510	10-5	1016557	4-3, 4-7	101795701	6-19
101454902	5-11	1016573	4-3, 4-7	101796201	4-9
1014555	5-11	101660404	1-3	101796501	6-19
1014557	1-17	1016622	5-3	101796801	6-19
1014645	1-3	1016627	10-7	101797701	6-19
1014901	5-11	1016631	6-17	101797702	6-19
1014902	5-11	1016663	5-3	101797801	6-19
1014947	6-21	1016849	6-11	101801001	6-19
1014977	6-33	1016851	6-11	101802101	6-19
1014979	6-33	1016859	6-11	101802204	7-3
1014980	6-33	1016868	1-5	101802205	7-3
1015032	1-3, 1-5, 1-7	1016875	1-3	101802206	7-3

INDEX

1018038	6-31	101895401	9-3	101959902	3-5
101808401	10-3	101895501	9-3	101962601	6-27
101809101	10-5	101895601	9-3	101965201	6-21
101810501	6-27	101895701	9-3	101966901	4-9
101813202	10-3	101895801	9-3	101969701	6-15
101814201	6-15	101895901	9-3	101972001	10-7
101814701	6-15	101896003	9-3	101972002	10-7
101817401	4-9	101897001	9-3	101972003	10-7
101823101	10-9	101897201	9-3	101972004	10-7
101824101	6-13, 6-31, 6-33	101897401	9-3	101972005	10-7
101825101	3-7	101897601	9-3	101972006	10-7
101826201	6-15	101897901	9-3	101972007	10-7
101827801	6-21	101903101	5-9	101972009	10-7
101828601	6-11, 7-3	101903601	9-3	101972011	10-7
101828701	7-3	101903701	9-3	101972012	10-7
101828801	7-3	101904101	1-7	101972101	9-3
101828802	7-3	101908101	6-17	101972201	9-3
101828904	7-3	101908401	6-17	101972401	9-3
101828905	7-3	101908601	3-3	101976001	9-3
101828906	7-3	101908701	6-21	101984801	5-3
101830601	6-15	101909902	6-21	101985501	1-9
101830701	6-15	101910401	6-21	101987601	1-9
101831801	10-5	101914401	6-11	101987901	6-11
101831901	10-3	101920101	6-17, 6-23, 8-3	101988001	6-11
101832001	6-19	101922101	9-3	101988002	6-11
101834502	6-15	101922201	9-3	101988101	6-11
101835601	1-11, 6-27	101922501	6-17	101988201	6-11
101851101	6-15	101923001	9-3	101990801	4-5
101855002	6-17	101923201	9-3	101998201	1-9
101856001	6-17	101923501	9-3	101998501	1-9
101856101	1-3, 1-5, 6-13, 6-17	101923601	9-3	102022101	4-3, 4-5
101861901	4-9	101923701	9-3	102026001	4-9
101862001	4-9	101923901	9-3	102051901	6-15
101865301	4-5	101928701	9-3, 10-7	102060501	1-9
101869001	4-7	101931501	3-3	102061201	10-9
101870501	5-7	101932201	6-15	102076701	1-11
101870601	5-7	101932401	6-17	102099101	1-11
101871001	10-3	101932501	6-17	102101001	6-23
101872701	4-7	101932601	6-21	102101101	6-23
101874601	4-5, 4-7	101932701	6-21	102163001	1-13
101876901	5-9	101933101	10-7	102163501	1-19
101877001	5-9	101935301	5-7	102163502	1-19
101878201	4-5	101935501	6-15	102169401	10-7
101878302	5-5	101936701	6-29	102174201	1-9
101879401	5-5	101936801	6-23, 6-29	102175401	3-5
101879501	5-5	101942301	6-17, 8-3	102196601	6-5
101879601	5-5	101942401	1-17	102198301	1-11
101879701	5-5	101942501	1-17	102198601	6-17
101879801	5-5	101953001	4-5	1022006	6-11
101879901	5-5	101953101	4-5	102221201	1-3, 1-7
101880001	5-5	101953102	4-5	102228701	3-5
101880101	5-5	101953103	4-5	102235201	8-3
101880201	5-5	101954301	1-9	102237001	1-9
101880301	5-5	101955001	5-7	102238301	1-9
101887101	10-3	101955101	6-11	102240102	8-3
101894901	6-19	101957101	6-15	102240501	6-21

INDEX

102240601	6-21	102323401	1-15	102674101	10-5
102240801	6-21	102323501	1-15	102674201	10-5
102241501	10-7	102323701	1-15	102674401	10-9
102241502	10-7	102323801	1-15	102674601	10-9
102243402	10-7	102324001	1-17	102675001	10-5
102248803	10-7	102324101	1-17	102675101	10-5
102249901	10-3	102324301	1-17	102675201	10-5
102251501	10-7	102324401	1-17	102675301	10-5
102251901	8-3	102324801	1-9	102675401	10-5
102259001	3-3	102324901	1-9	102686101	10-3
102259801	6-21	102325401	1-13		
102263601	6-21	102327601	1-3	A	
102263701	6-21	102327801	8-3	accelerator pedal	4-9
102265501	8-3	102327901	6-31, 6-33	accelerator pedal adjustment tool	10-3
102265601	8-3	102330301	1-7	accelerator pedal return spring cup	4-9
102265701	8-3	102330901	10-9	accelerator pivot rod	4-9
102265901	8-3	102331301	6-33	access door	1-7
102266001	8-3	102331302	6-31	actuator, brake	4-3, 4-7
102266101	8-3	102332401	6-31, 6-33	adapter	
102266501	6-21	102332501	3-5	cable (IQDM)	10-7
102266601	6-17	102339301	3-9	adhesive, guide ring	10-3
102266701	6-17	102339701	6-33	adjuster	
102267001	8-3	102340401	6-13	hydraulic brake	10-7
102273201	7-3	102340601	6-13	all weather enclosure	1-19
102273301	7-3	102340701	6-13	AM10423	6-27
102273401	7-3	102341201	6-13	AM10425	3-9, 6-27
102273501	7-3	102341501	6-31	AM10434	6-27
102273601	7-3	102343101	6-25	ammeter	7-3
102273701	7-3	102343701	6-9	anchor body	4-3, 4-7
102273801	7-3	102344101	6-15	angled bumper mount	5-11
102273901	7-3	102346001	6-31	arbor	10-3
102274001	7-3	102346101	6-31	arm	
102278001	5-3	102346201	6-31	brake lever	4-3, 4-7
102310701	1-5	102346901	6-11, 6-25	arm, wiper (adjustable)	6-33
102311501	1-5	102347001	6-11, 6-25	arm, wiper (fixed-length)	6-31
102311601	1-3	102347101	6-13	armature	8-3
102311801	2-3	102348301	6-11, 6-25	assembly	
102312201	1-11, 3-5	102348501	6-19	3-pin plug	8-3
102312801	3-7	102348701	6-19	6-pin plug	6-21
102312901	3-7	102351001	6-13	axle	9-3
102313001	3-5	102351101	6-15	axle tube	9-3
102313701	1-17, 6-13	102351201	9-3	bearing (steering column)	5-3
102316801	3-5	102351301	9-3	brush rigging	8-3
102318101	1-11, 1-13	102353701	6-13	charger case	7-3
102318201	3-5	102353801	6-11, 6-25	delta a-plate	5-7
102318301	1-11	102555501	10-3	delta shock and gear support	5-7
102318401	1-17	102562401	10-3	diode with heatsink film	7-3
102318501	1-7	102570401	10-11	end shield	8-3
102318901	3-3	102601501	10-5	Forward/Reverse switch	6-17
102319101	1-7	102603501	10-5	hub	5-9
102319501	1-7	102605201	10-5	resistor	6-21
102319601	1-11	102606101	10-5	seat back	1-9
102320701	1-15	102607501	10-5	spindle	5-9
102322301	1-7	102668801	10-9	stator shell	8-3
102322401	1-7	102669901	10-7	steering column	5-3
102322901	3-5	102674001	10-5	transformer	7-3

INDEX

voltage suppressor 6-11
wheel and tire 2-3
wire 6-19, 6-21
wire, sense lead 6-19
axle 9-3
axle shaft seal 9-3
axle tube 9-3

B

backing plate (brake) 4-3, 4-7
backing plate, H-bracket, front 1-7
backing plate, H-bracket, rear 1-7
back-up light (CA and NY) 6-13
back-up light bulb 6-13
back-up light harness (CA, MA, and VT only) 6-13
back-up light kit (CA, MA, and VT vehicles) 6-13
bagwell protector 1-3
ball joint 5-7
ball joint, inner 5-5
ball joint, left-hand thread 5-5, 5-7
bar, drive 6-23
barrel, plastic 1-3
base, taillight 6-13
battery
8-volt 6-19
battery cap 6-19
battery charger, PowerDrive 2 7-3
battery discharge machine 10-3
battery hold-down 6-19
battery terminal protector spray 10-3
battery thermometer 10-3
battery warning light 6-15
bearing
ball (motor) 8-3
differential 9-3
hub 5-9
input gear 9-3
intermediate gear 9-3
lower pinion 5-5
pivot support 4-9
thrust 5-9
upper pinion 5-5
bearing and oil seal remover 10-3
bearing driver set 10-3
bearing puller 10-3
bearing puller wedge 10-3
bearing retainer 8-3
bezel, headlight 6-11
bezel, horn 3-5
bezel, receptacle 6-19
bezel, taillight 6-13
blade, wiper 6-31, 6-33
block
terminal 6-11

terminal (controller) 6-21
block, fuse 6-17
block, fuse, cover 6-17
body (rear) 1-7
body hinge plate 1-7
body keeper clip 1-7
body kick plate 1-7
body support 1-7
body, front 1-5
bolt, J- 6-19
boot
dust 5-5
steering column 5-3
tow/run switch 6-17
bracket
brake cable guide 5-7
brake light switch 6-15
horn 6-11
mounting 6-11
Tow/Run switch 6-17
bracket, DC/DC converter 6-19
bracket, speedometer (NY only) 6-15
brake
actuator 4-3, 4-7
cable 4-3, 4-5, 4-7
cable hanger 4-3
cluster 4-3, 4-7
drum 4-3, 4-7
pedal 4-5
pedal mounting block 4-5
shoe 4-3, 4-7
spring 4-3, 4-7
brake adjustment tool 10-3
brake arm lever 4-3, 4-7
brake cable 5-11
brake cable hanger 5-11
brake cable release tool 10-3
brake lamp, center 1-17, 6-13
brake light harness 1-7, 1-17
brake pedal adjustment tool 10-3
brake pedal tension tool 10-3
breaker, circuit, 15-amp 7-3
breather 9-3
brush 8-3
brush spring 8-3
bulb, back-up light 6-13
bulb, halogen 6-11
bulb, license plate 6-13
bulb, taillight 6-13
bulb, turn signal (NY only) 6-11, 6-25
bumper
front 1-5
motor 8-3
rear 1-3
return spring 4-9
rubber 4-5

side guard trim 1-5
bumper mount, angled 5-11
bumper, jounce 5-11
bushing
bronze 5-9
bronze spindle 5-9
insulator 8-3
steel 5-9, 5-11
strain relief 7-3
urethane 5-7, 5-9, 5-11
bushing, rubber 1-7
button, horn 6-15

C

cable
brake 4-3
IQDM 10-7
cable, brake hanger 5-11
calibration test module 10-3
cam installation tool 10-3
canopy 1-11
cap
battery (4-port) 6-19
dust 6-17
key switch 6-15
seat back 1-9
carburetor float level tool 10-7
card, safety first 10-9
cargo net 1-3
case
charger 7-3
Forward/Reverse switch 6-17
center brake lamp 1-17, 6-13
channel, windshield 1-13
charger bezel tool 10-3
charger case 7-3
charger, PowerDrive 2 battery 7-3
circuit breaker (15-amp) 7-3
clamp
brake cable 5-7
clamp screw 8-3
clevis, upper delta 5-9
clip, body keeper 1-7
cluster, brake 4-3, 4-7
clutch alignment tool 10-5
clutch removal tool 10-3
clutch tool kit 10-5
column, steering 5-3
communication display module 10-5
component mounting plate 6-21
compression gauge 10-5
compressor, piston ring 10-9
compressor, valve spring 10-11
computer, onboard 6-21
connector, 4-pin 6-17
connector, IQ controller 6-21

continuity tester 10-5
controller, 48-volt (250-amp) 6-21
converter, DC/DC 6-19
cordset, AC 7-3
cordset, DC 7-3
cover
 controller 6-21
 dust 4-3, 4-7, 5-9
 seat back 1-9
 seat bottom 1-9
 steering column 5-3
cover, fuse block 6-17
cover, steering column 6-25
cup, accelerator pedal return spring 4-9
cushion, shock absorber 5-11
cutter, valve seat 10-5, 10-11

D

dash panel, center 1-3
dash, driver-side (CA, MA, and VT vehicles) 1-3
dash, passenger-side 1-3
DC/DC converter 6-19
DC/DC converter bracket 6-19
DC/DC converter output harness 6-19
decal
 battery discharge caution 3-9
 box bed 3-9
 electrical component cover 3-3, 6-21
 horn bezel 3-5
 horn location 3-5
 IR emblem 3-3
 key switch 3-7
 motor braking 3-5
 operating instructions 3-7
 private speed 3-5
 reflective (24 in. strip) 1-11, 3-5
 reflective (round, red) 3-5
 storage area 3-5
 Tow/Run switch 3-3
 VIN 3-7
 warning, steering wheel 3-7
diesel tachometer probe 10-9
differential bearing 9-3
differential gear 9-3
differential housing 9-3
differential idler gear 9-3
differential pin 9-3
door, access 1-7
drag link, rack and pinion 5-5
drink holder 1-3
drive bar 6-23
drive clutch fixed sheave tool 10-5
drive clutch holder tool 10-5
drive clutch hub puller 10-5
drive clutch puller 10-5
drive clutch spider removal tool 10-5

driven clutch cam puller 10-5
driven clutch puller plug 10-5
driven clutch spring compression base tool 10-5
driven clutch spring compression collar tool 10-5
driven clutch spring compression nut tool 10-5
drum, brake 4-3, 4-7
dry moly lubricant 10-7
dust boot 5-5
dust cap 6-17
dust cover 4-3, 4-7, 5-9

E

8-volt battery 6-19
eccentric adjustment 5-9
enclosure, all weather 1-19
end shield 8-3
equalizer and pivot limiter 4-5
equalizer rod 4-5
equalizer spacer 4-5

F

4-pin plug and wedge lock 6-17
4-pin receptacle and wedge lock 6-17
48-volt motor, 3.20-hp 8-3
48-volt solenoid 6-21
fastener, ratchet 1-7
fender, inner 1-7
fill plug 9-3
fitting, thread-forming grease 5-5
flasher 6-25
floor mat 1-3, 1-5, 1-7
flywheel puller 10-7
Forward/Reverse switch 6-17
Forward/Reverse switch case 6-17
frame, windshield 1-11, 1-13
front body 1-5
fuse block 6-17
fuse block cover 6-17
fuse, 20-amp 6-17
fuse, 3/8-amp 6-19
fuse, 30-amp 7-3

G

gasket
 controller 6-21
 liquid 9-3, 10-7
 plug 9-3
 seat 1-9
gauge, compression 10-5
gear
 differential 9-3
 differential idler 9-3
 intermediate, 10.3
 1 9-3

output 10.3
 1 9-3
gear case 9-3
gear yoke 10-7
governor shaft installation tool 10-7
grease fitting 5-5
grommet, rear body 1-7
guide
 valve seat cutter 10-11
guide ring adhesive 10-3
guide, steering rack 5-5

H

handle, PowerDrive 2 7-3
handle, seat 1-9
hanger 5-11
hanger, brake cable 4-3
harness, back-up light (CA, MA, and VT only) 6-13
harness, DC/DC converter output 6-19
harness, headlight wire 6-11
harness, wiper motor (Type A) 6-31
harness, wiper motor (Type B) 6-33
harness, wire (CA, MA, and VT models) 6-5
harness, wire (NY model) 6-9
H-bracket, left-hand 1-7
H-bracket, right-hand 1-7
headlight 6-11
heatsink 7-3
hold-down, battery 6-19
holder, drink 1-3
horn 6-11
housing
 differential 9-3
 female 3-wire 8-3
hydraulic brake adjuster 10-7
hydrometer 10-7

I

indicator, battery 6-15
inner fender 1-7
input gear bearing 9-3
input shaft 9-3
input shaft oil seal 9-3
insert, wood 1-9
intermediate gear, 10.3
 1 9-3
internal retaining ring pliers 10-7
IQ display module (IQDM) 10-7

J

J-bolt 6-19
joint
 compound steering 5-3
 inner ball 5-5
 left-hand thread ball 5-5, 5-7

INDEX

jounce bumper 5-11
jounce bumper mount 5-11

K

key (vehicle) 6-15
key switch 6-15
kingpin 5-9
kit
 2-pin plug 6-23, 6-29
 2-pin receptacle 6-29
 3-pin plug 6-23, 8-3
 3-pin plug and wedge lock 6-17
 3-pin receptacle and wedge lock 6-17
 4-pin plug and wedge lock 6-17
 4-pin receptacle and wedge lock 6-17
 6-pin plug 6-21
 6-pin receptacle 6-21
 accelerator pivot rod 4-9
 bagwell protector 1-3
 bearing and magnet 8-3
 brake pedal adjustment tool 10-3
 drink holder 1-3
 fuse and receptacle 6-19
 IQ controller connector 6-21
 IQ display module (IQDM) 10-7
 shock absorber cushion 5-11
 shock absorber, rear 5-11
 snap washer (dash mounting) 1-3
 steering column rebuild 5-3
 tune-up 10-9
kit, back-up light (CA, MA, and VT vehicles) 6-13
kit, hardware, taillight 6-13
knob, light switch 6-15

L

label
 VIN decal 3-7
lamp, assembly, turn signal 6-25
lamp, brake, center 1-17, 6-13
latch
 park brake 4-5
lens, headlight 6-11
lens, taillight 6-13
license plate holder, front 1-5
license plate holder, rear 1-3
light, back-up (CA and NY) 6-13
light, battery warning 6-15
light, turn signal (NY only) 6-11, 6-25
link, rack and pinion drag 5-5
liquid gasket 9-3, 10-7
lower pinion bearing 5-5
lubricant, dry moly 10-7
lubricant, moly-teflon 10-7
lug nut 2-3
lug stud 9-3

M

magnet 8-3
magnetic plug 9-3
mat, floor 1-3, 1-5, 1-7
MCOR (motor controller output regulator) 6-23
meter, volt ohm 10-11
mirror, rearview 1-11
mirror, side 1-11
module
 calibration test 10-3
 communication display 10-5
moly-teflon lubricant 10-7
motor bumper 8-3
motor, 48-volt IQ 8-3
motor, wiper (Type A) 6-31
motor, wiper (Type B) 6-33
mount, angled bumper 5-11
mounting pad (windshield frame) 1-11
mounting plate (rear bumper) 1-3

N

nameplate 3-3
net, cargo 1-3
nut, key switch 6-15
nut, lug 2-3, 5-9

O

output gear, 10.3
 1 9-3

P

package, brush 8-3
pad
 accelerator pedal 4-9
 brake pedal 4-5
 mounting (windshield frame) 1-11
 park brake 4-5
 spring 5-11
 wear 1-3, 1-7
paint, touch-up 10-7
panel, center dash 1-3
park brake latch 4-5
park brake pedal 4-5
pedal
 accelerator 4-9
pin
 differential 9-3
 equalizer pivot 4-5
pinion, steering 5-5
piston ring compressor 10-9
piston ring pliers 10-9
pivot support bearing 4-9
plastic barrel 1-3
plate

 backing (brake) 4-3, 4-7
 body hinge 1-7
 body kick 1-7
 component mounting 6-21
 front spring retainer 5-9
 heatsink 7-3
 mounting (rear bumper) 1-3
 receptacle backing 6-19
 scorecard 5-3
 seat hinge 1-9
 spring mounting 5-7
 thrust (idler gear) 9-3
plate, backing, front, H-bracket
 H-bracket backing plate, front 1-7
plate, backing, rear, H-bracket
 H-bracket backing plate, rear 1-7
pliers
 internal retaining ring 10-7
 piston ring 10-9
 retaining ring 10-9
plug
 2-pin 6-23, 6-29
 3-pin 6-23, 8-3
 6-pin 6-21
 driven clutch puller 10-5
 fill 9-3
 magnetic 9-3
plug gasket 9-3
power relay 7-3
PowerDrive 2 battery charger 7-3
press weldment 10-5
protector spray, battery terminal 10-3
protector, bagwell 1-3
puller
 bearing 10-3
 clutch 10-3
 drive clutch 10-5
 drive clutch hub 10-5
 driven clutch cam 10-5
 flywheel 10-7
 seal 10-9
 special use tool 10-9

R

rack, steering 5-5
ratchet fastener 1-7
reamer, valve guide 10-9
rear bumper 1-3
rearview mirror 1-11
rearview mirror set screw 1-11
rearview side mirror 1-11
receptacle
 2-pin 6-29
 6-pin 6-21
receptacle (fuse) 6-19
receptacle backing plate 6-19

INDEX

receptacle bezel 6-19
receptacle wedge lock 1-17
receptacle, two-pin 1-17
reflector, round 3-5
regulator, motor controller output (MCOR) 6-23
relay
 48-VDC power 7-3
 brake light 6-11
remover, bearing and oil seal 10-3
resistor 6-21
retainer
 bearing 8-3
 headlight 6-11
 push on 6-15
 shock absorber cushion 5-11
 shoe 4-3
 springs 4-9
retaining ring pliers 10-9
return spring bumper 4-9
reverse buzzer 6-11
rigging, brush 8-3
ring
 C-type stop 5-5
 retaining (steering gear box) 5-5
 snap 5-5
ring, retaining (steering column) 5-3
rivet, blind 1-5
rod
 accelerator pivot 4-9
 equalizer 4-5
 tie 5-7
rod and pawl 4-5

S

6-pin plug 6-21
6-pin receptacle 6-21
safety belt and latch assembly 1-17
safety first card 10-9
scorecard plate 5-3
screw
 bearing retainer 8-3
 clamp 8-3
screw, valve clearance adjuster 10-9
seal
 double lip 5-9
 dust (steering gear box) 5-5
 dust, steering pinion 5-5
 oil, axle shaft 9-3
 oil, input shaft 9-3
seal puller 10-9
seat
 bearing 5-3
seat back 1-9
seat bottom assembly 1-9
seat bottom cover 1-9

seat handle 1-9
seat hinge plate 1-9
seatbelt and latch assembly 1-17
sensor
 motor speed 8-3
set screw, rearview mirror 1-11
shaft
 input 9-3
 steering column 5-3
shield, end 8-3
shock absorber cushion 5-11
shock absorber cushion retainer 5-11
shock absorber, front 5-7
shock absorber, rear 5-11
shoe retainer 4-3, 4-7
side guard trim bumper 1-5
side mirror 1-11
sleeve
 delta inner 5-7
 delta outer 5-7
 park brake rod 4-5
snap ring 5-5
solenoid
 48-volt 6-21
spacer
 1/2 (fender mounting) 1-7
 1-7/8 (fender mounting) 1-7
 equalizer 4-5
 park brake 4-5
spacer (accelerator pivot rod) 4-9
spacer, overload bumper 5-11
spanner wrench 10-9
speedometer 6-15
speedometer bracket (NY only) 6-15
spray, battery terminal protector 10-3
spring
 accelerator pedal retainer 4-9
 brake 4-3, 4-7
 brake return 4-5
 brush 8-3
 compression 5-3
 park brake torsion 4-5
 return 4-9
 tapered leaf 5-9
 yoke 5-5
stator shell 8-3
steel bushing 5-9, 5-11
steering column 5-3
steering column bearing press tool 10-9
steering column cover 6-25
steering column mounting bracket 5-3
steering column retaining ring tool 10-9
steering column shaft 5-3
steering gear box 5-5
steering wheel 5-3
steering wheel puller tool 10-9

stem, valve 2-3
strap
 a-plate 5-7
stud
 lug 5-9, 9-3
support
 accelerator pivot rod 4-9
 body 1-7
suppressor, voltage 6-11
switch
 Forward/Reverse 6-17
 key 6-15
 light 6-15
 limit 6-15
 Tow/Run 6-17

T

2-pin plug 6-23, 6-29
2-pin receptacle 6-29
3-pin plug 6-23, 8-3
3-pin plug and wedge lock 6-17
3-pin receptacle and wedge lock 6-17
3/8-amp fuse 6-19
tachometer 10-9
tachometer probe, diesel 10-9
taillight assembly (rectangular) 6-13
taillight assembly (round) 6-13
taillight base 6-13
taillight bezel 6-13
taillight bulb 6-13
taillight hardware kit 6-13
taillight lens 6-13
terminal block 6-11
terminal block (controller) 6-21
tester, continuity 10-5
thermometer, battery 10-3
tie rod 5-7
tie, wire 5-5, 6-11, 6-17, 6-21, 6-31, 6-33
tie, wire, 5.5-inch black 6-31, 6-33
tire 2-3
T-nut, slab base 1-5
tool
 accelerator pedal adjustment 10-3
 belt tensioning, starter/generator 10-11
 brake adjustment 10-3
 brake cable release 10-3
 brake pedal adjustment 10-3
 brake pedal tension 10-3
 cam installation 10-3
 carburetor float level 10-7
 charger bezel 10-3
 clutch alignment 10-5
 cT-wrench 10-5
 drive clutch fixed sheave 10-5
 drive clutch holder 10-5
 drive clutch spider removal 10-5

INDEX

- driven clutch spring compression base 10-5
 - driven clutch spring compression collar 10-5
 - driven clutch spring compression nut 10-5
 - governor shaft installation 10-7
 - puller, special use 10-9
 - steering column bearing press 10-9
 - steering column retaining ring 10-9
 - steering wheel puller 10-9
 - transaxle axle seal 10-9
 - transaxle pinion seal 10-9
 - transmission 10-9
 - valve guide driver 10-9
 - valve seat cutter 10-5
 - tool kit, clutch 10-5
 - TOPS bar and seatbelt assembly 1-17
 - touch-up paint 10-7
 - Tow/Run switch 6-17
 - transaxle axle seal tool 10-9
 - transaxle pinion seal tool 10-9
 - transaxle, type G, 10.3
 - 1 ratio 9-3
 - transformer 7-3
 - transmission tool 10-9
 - trim, front body 1-5
 - tube, gusset, rear 1-15
 - tune-up kit 10-9
 - turn signal bulb (NY only) 6-11, 6-25
 - turn signal lamp assembly 6-25
 - turn signal light (NY only) 6-11, 6-25
 - 20-amp fuse 6-17
 - T-wrench tool 10-5
- U**
- U-bolt 5-11
 - upper pinion bearing 5-5
 - urethane bushing 5-7, 5-9, 5-11
- V**
- valve clearance adjuster screw 10-9
 - valve guide driver tool 10-9
 - valve guide reamer 10-9
 - valve seat cutter 10-5, 10-11
 - valve seat cutter guide 10-11
 - valve seat cutter tool 10-5
 - valve seat t-wrench 10-11
 - valve spring compressor 10-11
 - valve, stem 2-3
 - VIN decal 3-7
 - volt ohm meter 10-11
 - voltage suppressor 6-11
- W**
- washer
 - kingpin wave 5-9
 - snap washer kit (dash mounting) 1-3
 - wear pad 1-3, 1-7
 - wedge (steering column) 5-3
 - wedge lock, receptacle 1-17
 - wedge, bearing puller 10-3
 - weldment
 - press 10-5
 - wheel 2-3
 - wheel, steering 5-3
 - windshield 1-13
 - windshield channel 1-13
 - windshield frame 1-11, 1-13
 - windshield frame mounting pad 1-11
 - wiper arm (adjustable) 6-33
 - wiper arm (fixed-length) 6-31
 - wiper blade 6-31, 6-33
 - wiper motor (Type A) 6-31
 - wiper motor (Type B) 6-33
 - wiper motor harness (Type A) 6-31
 - wiper motor harness (Type B) 6-33
 - wire and terminal 6-21
 - wire assembly 6-19, 6-21
 - wire assembly, battery charger 7-3
 - wire assembly, forward/reverse switch 6-17
 - wire assembly, IQDM port 6-17
 - wire assembly, sense lead 6-19
 - wire harness (CA, MA, and VT models) 6-5
 - wire harness (NY model) 6-9
 - wire harness, lower, brake light high mount 1-7
 - wire harness, upper, brake light high mount 1-17
 - wire harness, wiper motor (Type A) 6-31
 - wire harness, wiper motor (Type B) 6-33
 - wire tie 5-5, 6-11, 6-17, 6-21, 6-31, 6-33
 - wire tie, 5.5-inch black 6-31, 6-33
 - wood insert 1-9
 - wrench, spanner 10-9
- Y**
- yoke spring 5-5
 - yoke, gear 10-7
- Z**
- Z-bracket 6-21



Club Car Inc.
P.O. Box 204658
Augusta, GA 30917-4658