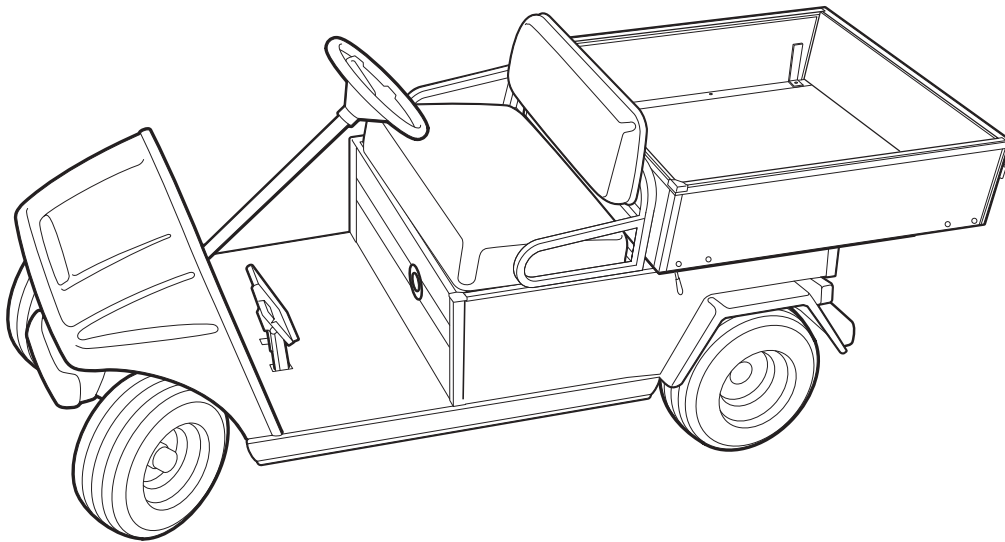




2007
Turf/Carryall 1
Illustrated Parts List



Gasoline and Electric Vehicles

Manual Number 103209003
Edition Code 1206M0112L

USING THE ILLUSTRATED PARTS LIST

⚠ WARNING

- **This manual is to be used only for identification and ordering of service parts. Be sure to read and use the maintenance and service manual before attempting any vehicle repairs.**

This manual covers all Turf/Carryall 1 vehicles built during the 2007 model year.

The manual is divided into sections. Note that there are two or three flags on the outside edge of each page. The first flag contains the section number of which that page is a part. The other flag (or flags) contains the letter G or E, signifying that the page pertains to the electric or gasoline vehicles only.

Use the Table of Contents to find the sections and pages that contain the parts and assemblies you seek. The Table of Contents lists section numbers, and under them, the individual page titles and numbers to be found in that section. The index can be used to find specific parts and assemblies. The index is divided into numerical and alphabetical listings with the page numbers in italic text.

There is a two-page spread for each individual page title in the Table of Contents. On the left-hand page is an illustration showing the parts in their relative positions; the parts are each tagged with an item number in a balloon. The right-hand page is the parts list page, and gives the page title at the top, then the item numbers (corresponding to the numbers on the illustration), part descriptions, and quantity of parts used.

Note that a part description may be indented. This indentation corresponds to a parts assembly level indicated by the numbers 1, 2, 3, and 4 at the top left corner of the parts description area of the parts list page. A part that is indented to *level 2* is a component of the *level 1* part (assembly) that it is listed under. A *level 3* part is a component of the *level 2* part that it is listed under, and a *level 4* part is a component of the *level 3* part preceding it. In each case, the part quantity given for a level 2, 3, or 4 part is the *quantity used per next higher level assembly of which it is a component*. A part that is not indented is a *level 1* part. This means that the quantity given is the quantity used per the portion of the vehicle illustrated on that particular spread.

HOW TO ORDER PARTS

Replacement parts and accessories can be obtained from our network of authorized dealers and distributors. You can obtain the name and phone number of your closest authorized Club Car dealer or distributor by visiting our web site at www.clubcar.com and clicking on the "Distributor Search" link or by calling our toll-free Service Parts and Technical Assistance hotline at (800) 872-2246 or (706) 863-3000, extension 3887.



P. O. Box 204658
Augusta, Georgia 30917-4658 USA
Telephone 706-863-3000
Service Parts Fax 706-855-7413
www.clubcar.com

NOTE: *This illustrated parts list represents the most current information at the time of publication. Club Car, Inc. is continually working to further improve its vehicles and other products. These improvements may affect the parts used to service the vehicle. Any modification and/or significant change in specifications will be forwarded to all Club Car and Carryall distributors/dealers and will, when applicable, appear in future editions of this illustrated parts list.*

Club Car, Inc. reserves the right to change specifications and designs at any time without notice and without the obligation of making changes to units previously sold.

Copyright © 2006 Club Car, Inc.
Club Car and *ArmorFlex*
are registered trademarks of Club Car, Inc.
This manual effective July 31, 2006.

2007 Turf/Carryall 1 Gasoline and Electric Vehicle Illustrated Parts List

CONTENTS

SECTION 1 – BODY AND TRIM

Front Body and Trim – Turf 1	1-3
Front Body and Trim – Carryall 1	1-5
Dash Pockets and Floormat	1-7
Beverage Holder	1-9
Seat Bottom	1-11
Seat Back Assembly	1-13
Hip Restraints and Seat Back Mounting	1-15
Tilt Bed, Hinge, and Latch – Turf/Carryall 1	1-17
Latch Plate	1-19
Cargo Box	1-21
Tailgate Bracket (Earlier Style)	1-23
Cargo Box Mounting	1-25
Trailer Hitch	1-27
Rear Body Trim	1-29

SECTION 2 – WHEELS AND TIRES

Wheels and Tires	2-3
------------------------	-----

SECTION 3 – DECALS

Decals	3-3
Decals – Electric Vehicles	3-5
Decals – Gasoline Vehicles	3-7
Decals, Logo	3-9

SECTION 4 – BRAKES, PEDALS, AND CABLE ASSEMBLIES

Rear Brake Assembly, Self-Adjusting – Vehicle with 2-Wheel Brakes	4-3
Brake Pedal Assembly – Vehicles with Two-Wheel Brakes	4-5
Brake Cables and Equalizer	4-7
Accelerator Pedal Assembly – Gasoline Vehicle	4-9
Accelerator Pedal Assembly – Electric Vehicles with MCOR	4-11
Accelerator Rod – Gasoline Vehicles	4-13

SECTION 5 – STEERING, FRONT AND REAR SUSPENSION

Steering Column	5-3
Steering Wheel – Turf 1	5-5
Steering Wheel – Carryall 1	5-7
Steering Gear Assembly	5-9

CONTENTS

Front Suspension, Upper	5-11
Front Suspension, Lower	5-13
Front Spindles and Hubs – Vehicles with Two-Wheel Brakes	5-15
Rear Suspension Components – Electric Vehicles	5-17
Steering Gear Assembly	5-19
Rear Suspension Components – Gasoline Vehicles	5-21

SECTION 6 – ELECTRICAL SYSTEM – GASOLINE VEHICLE

Wiring	6-5
Instrument Panel and Electrical Components	6-7
Electrical Component Box	6-9
Starter/Generator Assembly Model G425419 – Gasoline Vehicles	6-11
FE350 Starter/Generator Mounting – Gasoline Vehicles	6-13
Battery – Gasoline Vehicle	6-15
Operation and Maintenance Switch	6-17

SECTION 7 – FE350 ENGINE WITHOUT ACR

AS11 FE350 Engine without ACR (Automatic Compression Release) – Shrouds and Brackets	7-3
AS11 FE350 Engine – Ignition Components and Flywheel	7-5
FE350 Engine – Oil Circulation	7-7
AS11 FE350 Engine – Cylinder Head	7-9
AS11 FE350 Engine without ACR – Crankcase, Camshaft, and Oil Sensor	7-11
AS11 FE350 Engine – Crankcase and Crankshaft	7-13
FE350 Engine Mounting	7-15

SECTION 8 – EXHAUST SYSTEM

Exhaust System – FE350 Engine	8-3
-------------------------------------	-----

SECTION 9 – FUEL, INTAKE, AND GOVERNOR SYSTEMS

Splash Guard	9-3
Fuel Tank (Non-California) with Sending Unit	9-5
Fuel System	9-7
Carburetor Assembly – FE350	9-9
Carburetor Installation – FE350	9-11
Governor and Accelerator Cables	9-13
Air Box and Intake Hose	9-15
Intake System	9-17
Fuel Tank (California) with Sending Unit	9-19

CONTENTS

SECTION 10 – TORQUE CONVERTER

Drive Clutch	10-3
Drive Belt – FE350	10-5
Driven Clutch	10-7

SECTION 11 – UNITIZED TRANSAXLE AND FORWARD/REVERSE SHIFTER

Transaxle – Gasoline Vehicles, Gear Cases and Brackets	11-3
Transaxle – Gasoline Vehicles, Transmission and Gear Reduction	11-5
Transaxle – Gasoline Vehicles, Differential and Axles	11-7
Forward/Reverse Shifter	11-9
Forward/Reverse Shifter Cable	11-11

SECTION 12 – ELECTRICAL SYSTEM – ELECTRIC VEHICLES

Wiring – Electric Vehicle	12-5
Computer, Controller, and Solenoid	12-9
Motor Controller Output Regulator (MCOR)	12-11
Instrument Panel and Electrical Components	12-13
Battery Charger Receptacle	12-15
Batteries (T875), Electric Vehicle	12-17
Batteries (T890)	12-19
Tow/Run Switch	12-21
Hour Meter – Turf 1 Vehicles	12-23

SECTION 13 – ELECTRIC MOTOR

Motor (Model 5BC59JBS6365) – Electric Vehicle	13-3
Motor (Model 5BC59JBS6365A)	13-5
Motor (Model EJ4-4001) – Electric Vehicle	13-7
Motor (Model EJ8-4001A) – Electric Vehicle	13-9

SECTION 14 – TRANSAXLE – ELECTRIC VEHICLES

Transaxle – Electric Vehicles	14-3
-------------------------------------	------

SECTION 15 – BATTERY CHARGER

PowerDrive 3 Battery Charger, Domestic	15-3
PowerDrive 2 Battery Charger (Model 22110), Domestic	15-5
PowerDrive Battery Charger (Model 17930), Domestic	15-7
PowerDrive Battery Charger (Model 18780), Export	15-9

CONTENTS

PowerDrive Battery Charger (Model 20310), European	15-11
--	-------

SECTION 16 – MAINTENANCE AND SERVICE TOOLS

Maintenance and Service Tools	16-3
Maintenance and Service Tools, Continued	16-5
Maintenance and Service Tools, Continued	16-7
Maintenance and Service Tools, Continued	16-9
Maintenance and Service Tools, Continued	16-11

SECTION i – INDEX

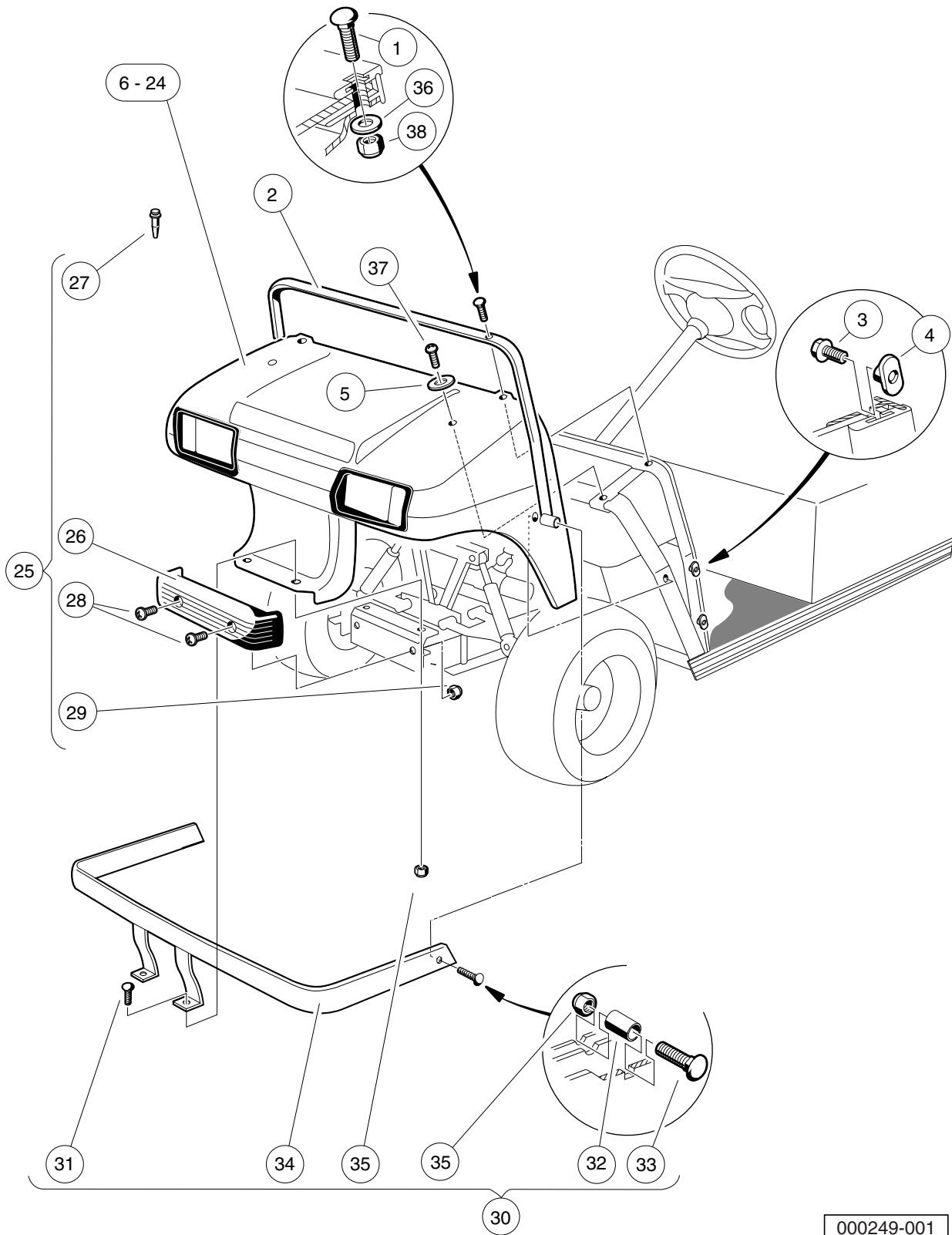
BODY AND TRIM

1

G

E

1
G
E



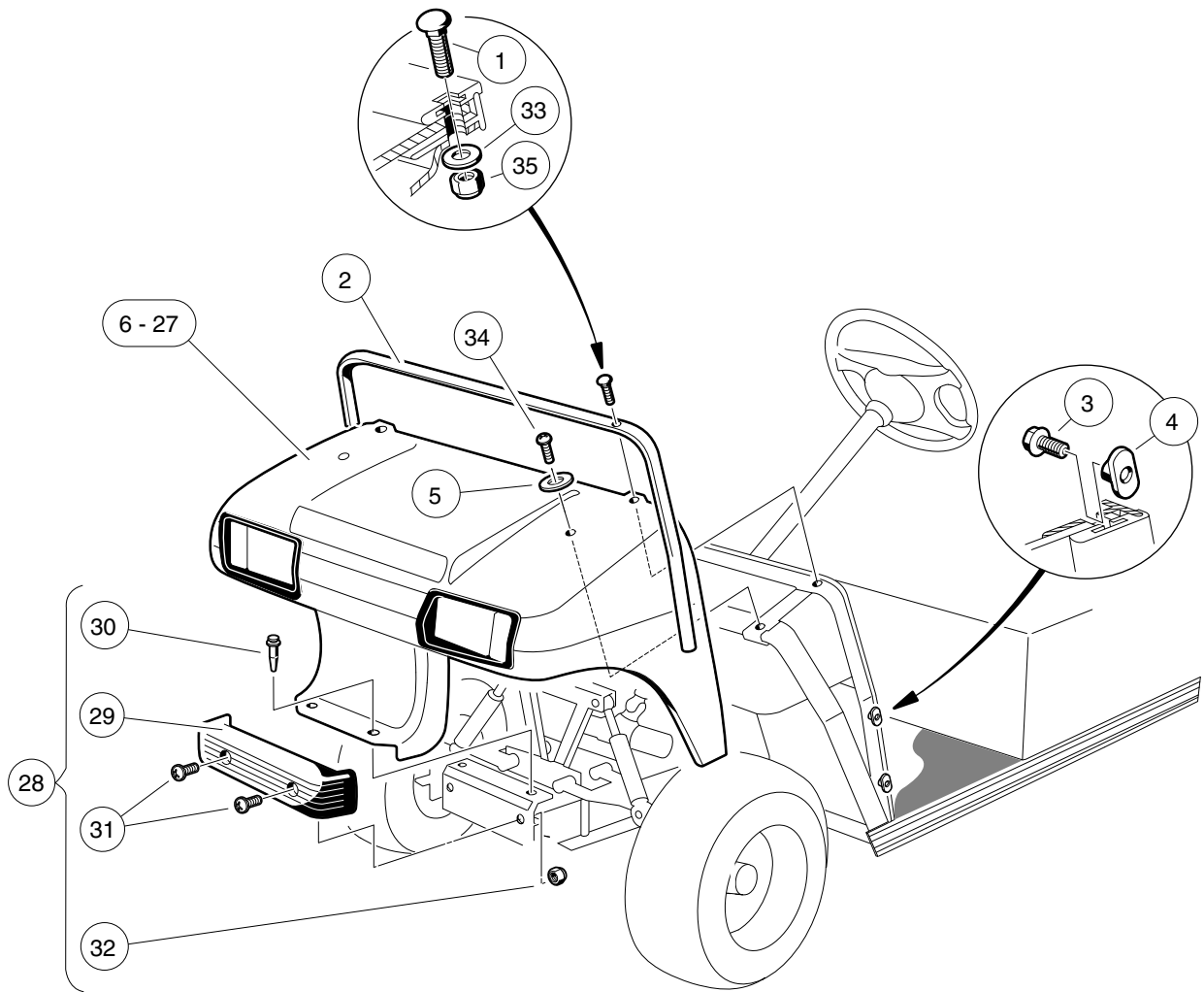
000249-001

FRONT BODY AND TRIM – TURF 1

ITEM	PART NO.	DESCRIPTION	QTY
		1 2 3 4	
1	1010435	Bolt, Carriage, 5/16-18 X 1.00	2
2	1011014	Trim, Cowl	1
3	1011017	Screw, #8-32 X 0.375	6
4	1011394	T-Nut Package (Set of 4)	1
5	1015075	Washer, 5/16 Flat Type A	2
6	101692501	Cowl, TPO, Beige	1
7	101692502	Cowl, TPO, White	1
8	101692506	Cowl, TPO, Red	1
9	101692509	Cowl, TPO, Pacific Blue (Royal Blue)	1
10	101692510	Cowl, TPO, Dark Green	1
11	101692511	Cowl, TPO, Black	1
12	101692512	Cowl, TPO, Classic Blue (Navy)	1
13	101692513	Cowl, TPO, Burgundy	1
14	101692514	Cowl, TPO, Dark Gray	1
15	101692515	Cowl, TPO, Safety Yellow	1
16	101693901	Cowl with Headlight Opening, TPO, Beige	1
17	101693902	Cowl with Headlight Opening, TPO, White	1
18	101693906	Cowl with Headlight Opening, TPO, Red	1
19	101693909	Cowl with Headlight Opening, TPO, Dark Green	1
20	101693910	Cowl with Headlight Opening, TPO, Black	1
21	101693911	Cowl with Headlight Opening, TPO, Classic Blue (Navy)	1
22	101693912	Cowl with Headlight Opening, TPO, Burgundy	1
23	101693913	Cowl with Headlight Opening, TPO, Dark Gray	1
24	101693914	Cowl with Headlight Opening, TPO, Safety Yellow	1
25	1017080	Kit, Front Bumper (includes items 26 through 29)	1
26	1016868	Front Bumper	1
27	1016967	Blind Rivet, Push Type	2
28	7251	Screw, 5/16-18 x 1.0 Truss-Head	2
29	7473	Locknut, 5/16-18 Nylon Insert	2
30	101734802	Kit, Heavy-Duty Bumper (includes items 31 through 35)	1
31	1010435	Bolt, Carriage, 5/16-18 X 1.00	2
32	1010546	Spacer	2
33	1015405	Bolt, Carriage, 5/16-18 X 2.0	2
34	N/A	Weldment, Heavy Duty Bumper	1
35	7473	Locknut, 5/16-18 Nylon Insert	4
36	1241	Washer, 5/16 Type A Flat	2
37	7251	Screw, 5/16-18 x 1.0 Truss-Head	2
38	7473	Locknut, 5/16-18 Nylon Insert	2

1
G
E

1
G
E



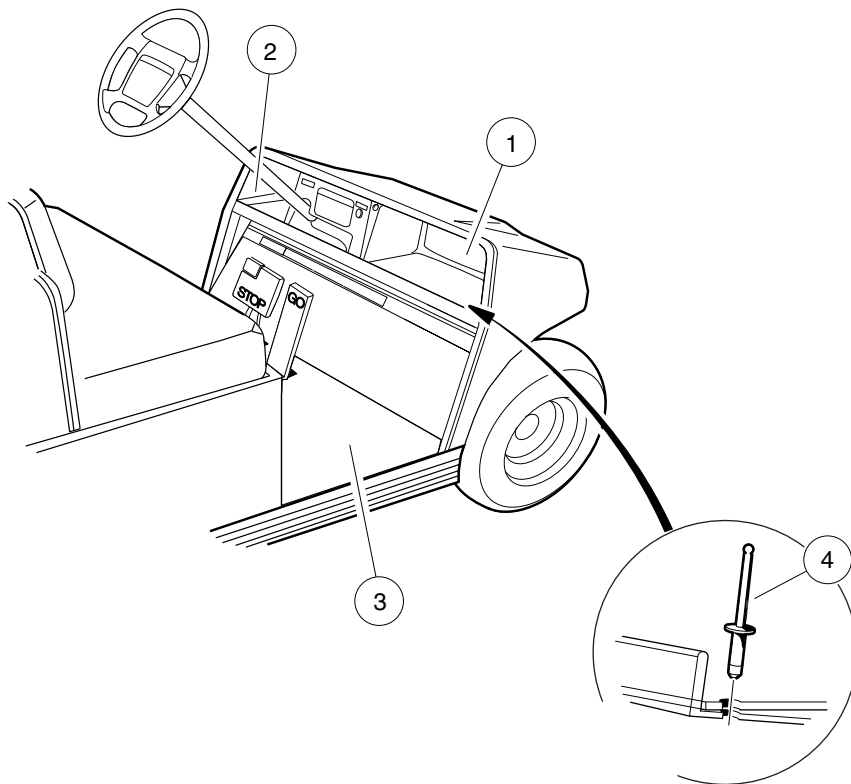
000249-002

FRONT BODY AND TRIM – CARRYALL 1

ITEM	PART NO.	DESCRIPTION	QTY
		1 2 3 4	
1	1010435	Bolt, Carriage, 5/16-18 X 1.00	2
2	1011014	Trim, Cowl	1
3	1011017	Screw, #8-32 X 0.375	6
4	1011394	T-Nut Package (Set of 4)	1
5	1015075	Washer, 5/16 Flat Type A	2
6	101692501	Cowl, TPO, Beige	1
7	101692502	Cowl, TPO, White	1
8	101692504	Cowl, Tpo -gray	1
9	101692506	Cowl, TPO, Red	1
10	101692509	Cowl, TPO, Pacific Blue (Royal Blue)	1
11	101692510	Cowl, TPO, Dark Green	1
12	101692511	Cowl, TPO, Black	1
13	101692512	Cowl, TPO, Classic Blue (Navy)	1
14	101692513	Cowl, TPO, Burgundy	1
15	101692514	Cowl, TPO, Dark Gray	1
16	101692515	Cowl, TPO, Safety Yellow	1
17	101693901	Cowl with Headlight Opening, TPO, Beige	1
18	101693902	Cowl with Headlight Opening, TPO, White	1
19	101693904	Cowl with Headlight Opening, TPO, Gray	1
20	101693906	Cowl with Headlight Opening, TPO, Red	1
21	101693908	Cowl with Headlight Opening, TPO, Pacific Blue (Royal Blue)	1
22	101693909	Cowl with Headlight Opening, TPO, Dark Green	1
23	101693910	Cowl with Headlight Opening, TPO, Black	1
24	101693911	Cowl with Headlight Opening, TPO, Classic Blue (Navy)	1
25	101693912	Cowl with Headlight Opening, TPO, Burgundy	1
26	101693913	Cowl with Headlight Opening, TPO, Dark Gray	1
27	101693914	Cowl with Headlight Opening, TPO, Safety Yellow	1
28	1017080	Kit, Front Bumper (includes items 29 through 32)	1
29	1016868	Front Bumper	1
30	1016967	Blind Rivet, Push Type	2
31	7251	Screw, 5/16-18 x 1.0 Truss-Head	2
32	7473	Locknut, 5/16-18 Nylon Insert	2
33	1241	Washer, 5/16 Type A Flat	2
34	7251	Screw, 5/16-18 x 1.0 Truss-Head	2
35	7473	Locknut, 5/16-18 Nylon Insert	2

1
G
E

1
G
E



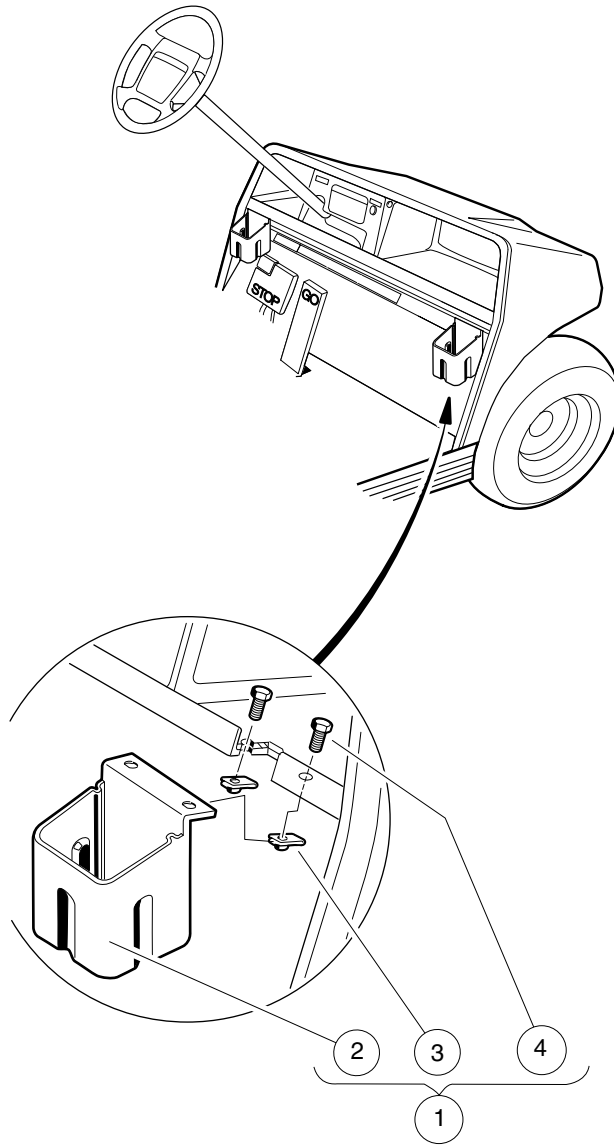
000252-002

DASH POCKETS AND FLOORMAT

ITEM	PART NO.	DESCRIPTION	QTY
		1 2 3 4	
1	1013343	Dash Component, Passenger-Side, Black	1
2	1013344	Dash Component, Driver-Side	1
3	101503202	Floormat	1
4	7973	Rivet, 3/16 X .400 Blind	5

1
G
E

1
G
E



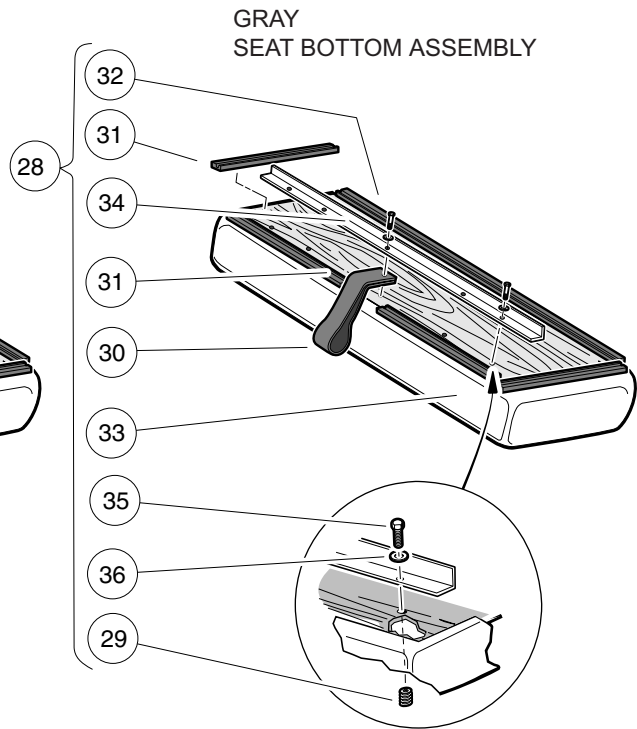
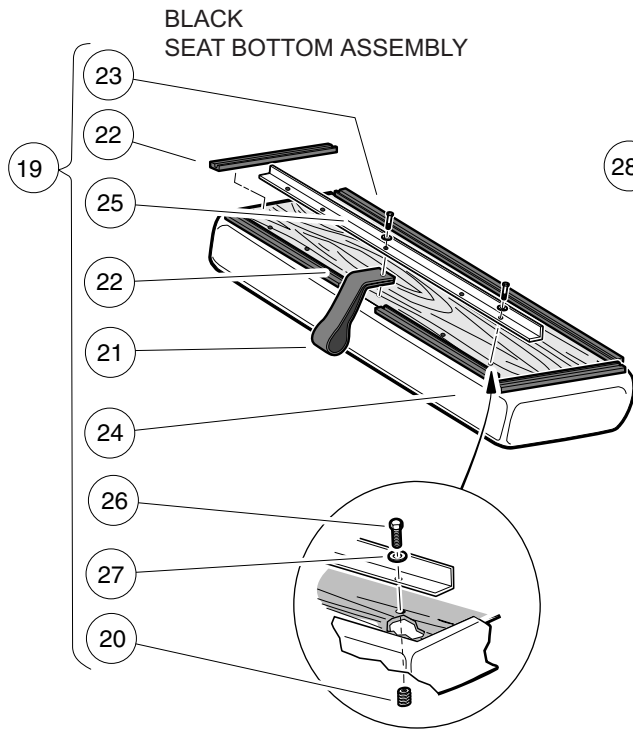
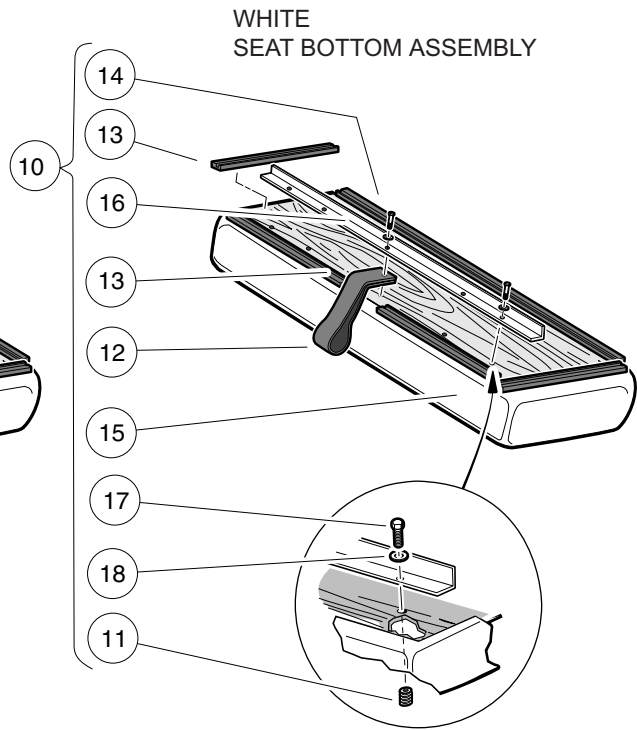
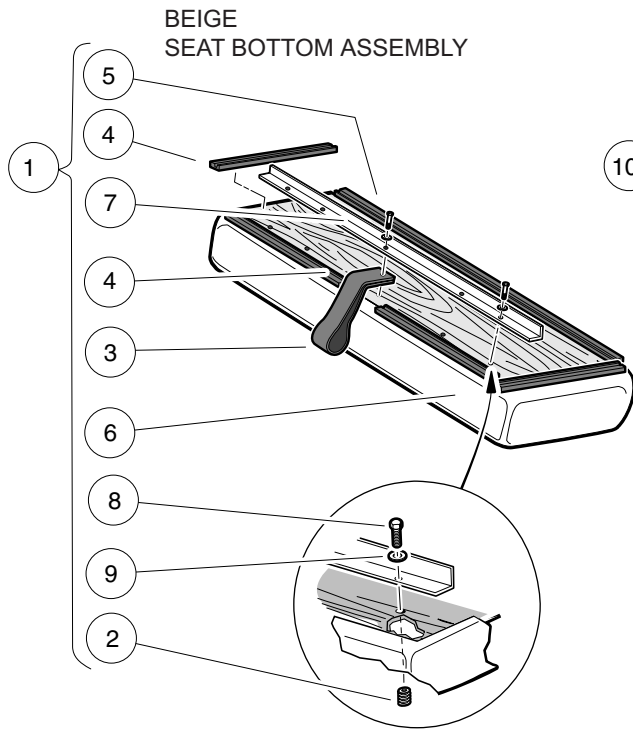
000253-001

BEVERAGE HOLDER

ITEM	PART NO.	DESCRIPTION	QTY
		1 2 3 4	
1	1013422	Cup Holder Kit (includes items 2 through 4)	2
2	1013420	Holder, Single Cup	1
3	1016952	U-Nut, 1/4-20	2
4	7847	Screw, 1/4-20 X 0.75 Hex-Head Cap	2

1
G
E

1
G
E



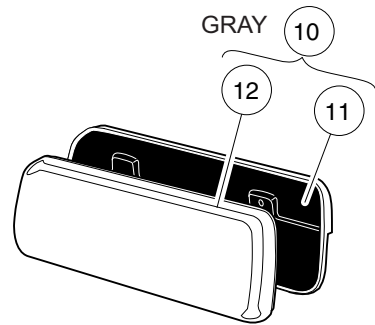
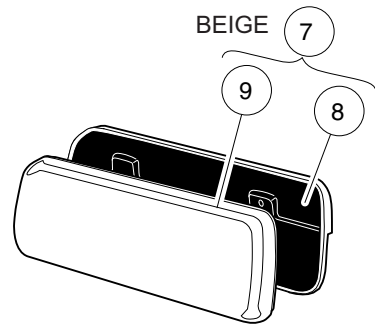
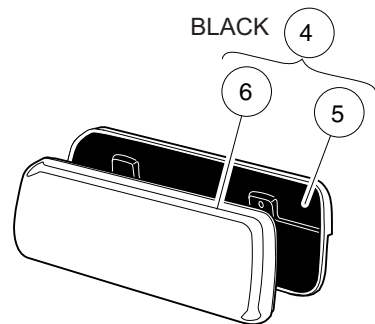
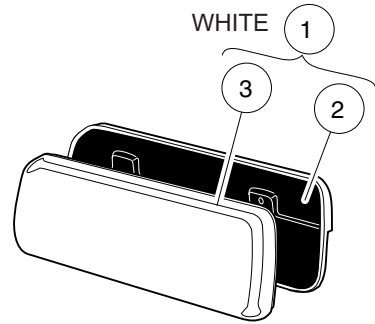
000254-001

SEAT BOTTOM

ITEM	PART NO.	DESCRIPTION	QTY
		1 2 3 4	
1	101564501	Seat Bottom Assembly, Beige (includes items 2 through 9)	1
2	1010543	Insert - Wood	5
3	1013309	Strap, Utility Seat	1
4	1013311	Bumper, Seat, Short	4
5	1013312	Bumper, Seat, Long	1
6	101562711	Vinyl Cover, Seat Bottom, Buff	1
7	101894303	Stiffener	1
8	101954301	Screw, 1/4-20 X 0.75 Hex-Head Cap	5
9	332	Washer, 1/4 Type A Narrow Flat	5
10	101564502	Seat Bottom Assembly, White (includes items 11 through 18)	1
11	1010543	Insert - Wood	5
12	1013309	Strap, Utility Seat	1
13	1013311	Bumper, Seat, Short	4
14	1013312	Bumper, Seat, Long	1
15	101562712	Vinyl Cover, Seat Bottom, White	1
16	101894303	Stiffener	1
17	101954301	Screw, 1/4-20 X 0.75 Hex-Head Cap	5
18	332	Washer, 1/4 Type A Narrow Flat	5
19	101564503	Seat Bottom Assembly, Black (includes items 20 through 27)	1
20	1010543	Insert - Wood	5
21	1013309	Strap, Utility Seat	1
22	1013311	Bumper, Seat, Short	4
23	1013312	Bumper, Seat, Long	1
24	101562714	Vinyl Cover, Seat Bottom, Black	1
25	101894303	Stiffener	1
26	101954301	Screw, 1/4-20 X 0.75 Hex-Head Cap	5
27	332	Washer, 1/4 Type A Narrow Flat	5
28	101564505	Seat Bottom Assembly, Gray (includes items 29 through 36)	1
29	1010543	Insert - Wood	5
30	1013309	Strap, Utility Seat	1
31	1013311	Bumper, Seat, Short	4
32	1013312	Bumper, Seat, Long	1
33	101562715	Vinyl Cover, Seat Bottom, Gray	2
34	101894303	Stiffener	1
35	101954301	Screw, 1/4-20 X 0.75 Hex-Head Cap	5
36	332	Washer, 1/4 Type A Narrow Flat	5

1
G
E

1
G
E



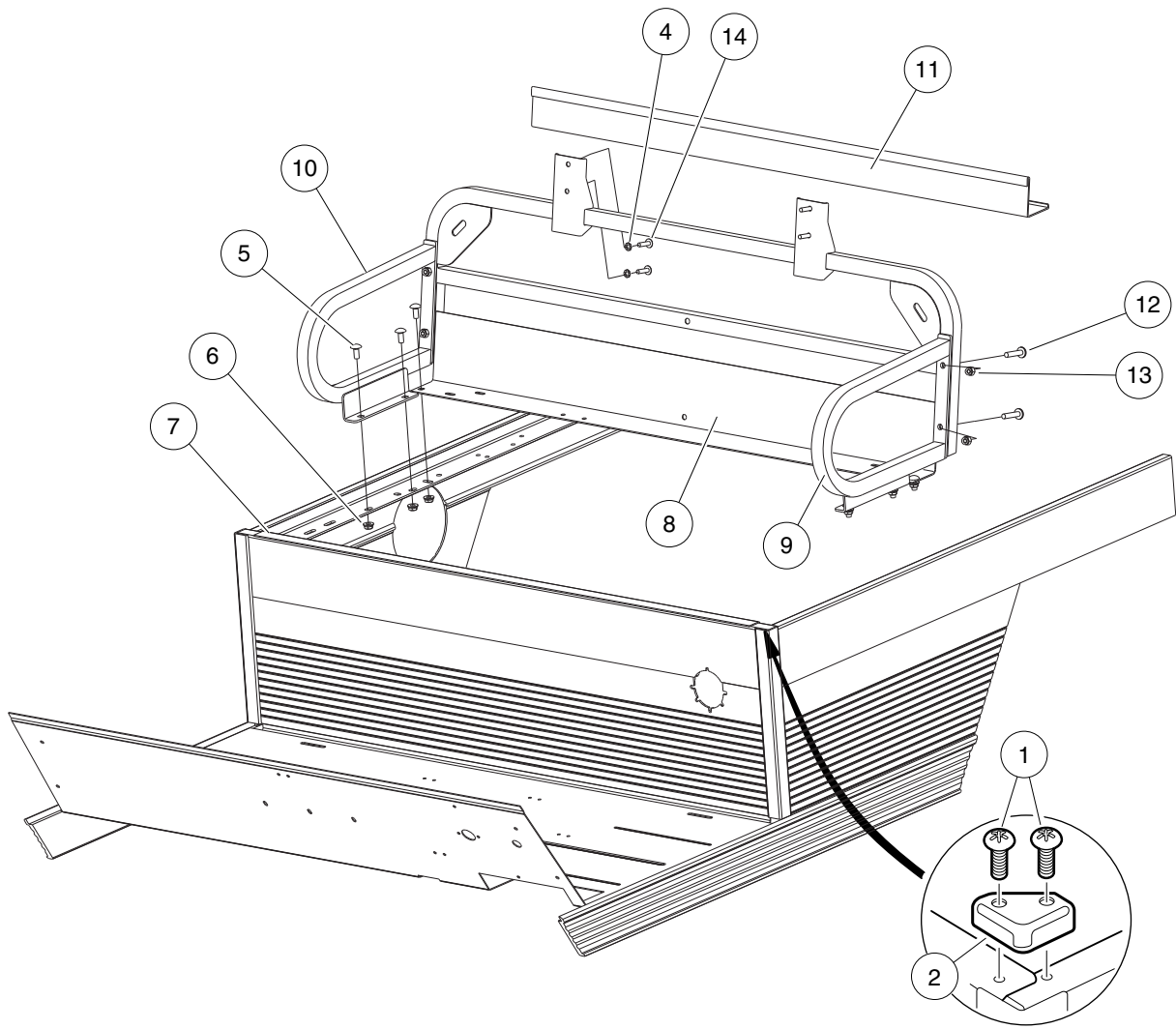
000608-001

SEAT BACK ASSEMBLY

ITEM	PART NO.	DESCRIPTION	QTY
		1 2 3 4	
1	101677701	Seat Back Assembly, White (includes items 2 and 3)	1
2	1016751	Cap, Seat Back	1
3	101675512	Vinyl Seat Back, White	1
4	101677702	Seat Back Assembly, Black (includes items 5 and 6)	1
5	1016751	Cap, Seat Back	1
6	101675514	Vinyl Seat Back, Black	1
7	101677703	Seat Back Assembly, Beige (includes items 8 and 9)	1
8	1016751	Cap, Seat Back	1
9	101675511	Vinyl Seat Back, Beige	1
10	101677705	Seat Back Assembly, Gray (includes items 11 and 12)	1
11	1016751	Cap, Seat Back	1
12	101675515	Vinyl Seat Back-nstd Svc	1

1
G
E

1
G
E



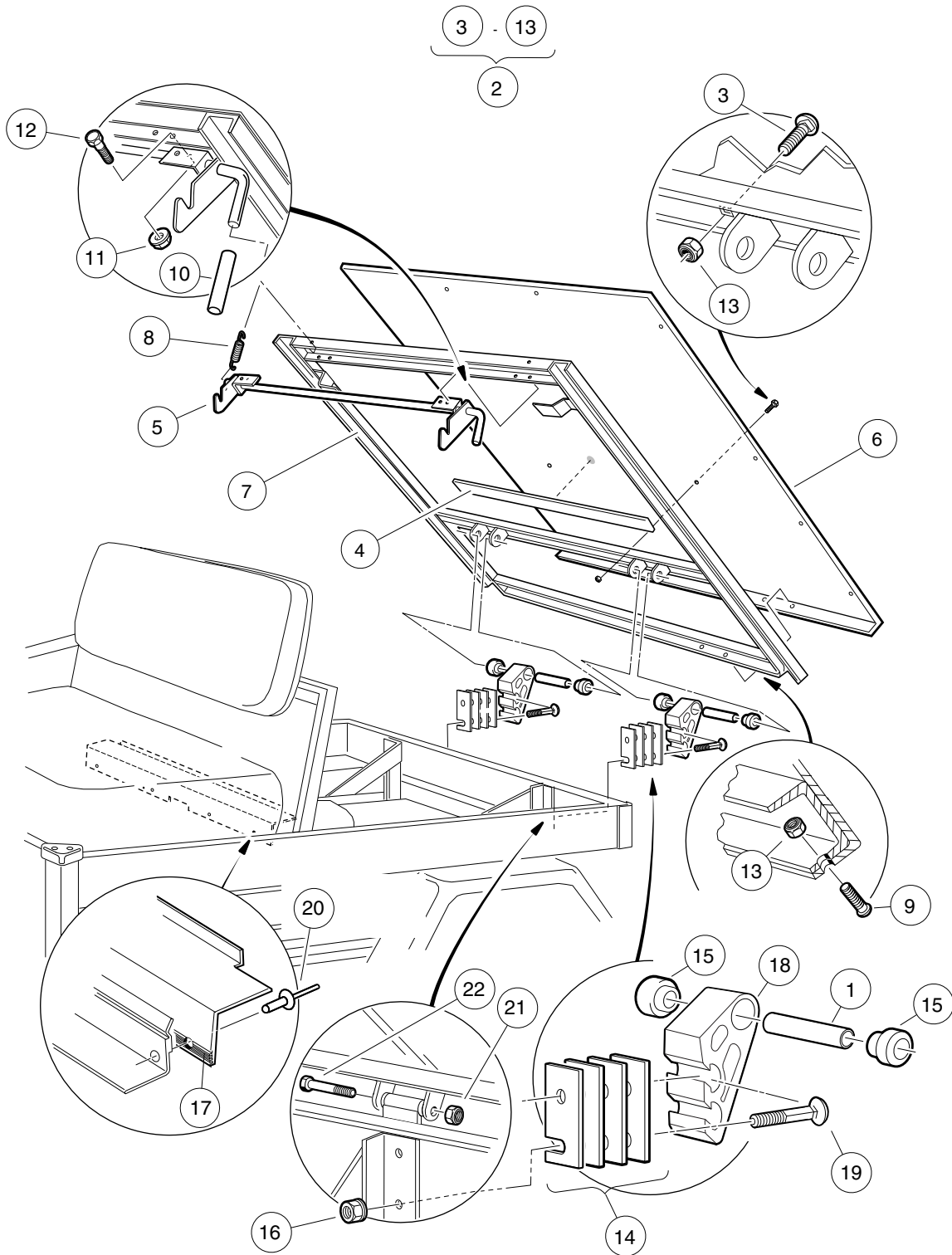
000603-001

HIP RESTRAINTS AND SEAT BACK MOUNTING

ITEM	PART NO.	DESCRIPTION	QTY
		1 2 3 4	
1	1014321	Screw, #10 Truss-Head Torx	4
2	1014387	Cap, Corner	2
3	N/A	Instl, Seat Bk, Hip Restr, Ca1 (includes items 4 through 14)	1
4	101946201	Washer, Lock, 0.250 External-Tooth	4
5	101963301	Bolt, 5/16-18 X 0.75 Round-Head	6
6	101963401	Locknut, 5/16-18 Hex Flange	6
7	101964001	Trim, Seat Bottom Front	1
8	102966401	Seat Back, Tube	1
9	102966501	Hip Restraint, Left	1
10	102966502	Hip Restraint, Right	1
11	102989501	Seal, Bed, 41-Inch	1
12	103245201	Screw, 5/16-18 X 1.5, Tr Tx Hd	4
13	103245301	Nut, Hex, Cp, Mech Def, 5/16-1	4
14	8251	Screw, 1/4-20 X 1.0 Truss-Head Machine	4

1
G
E

1
G
E



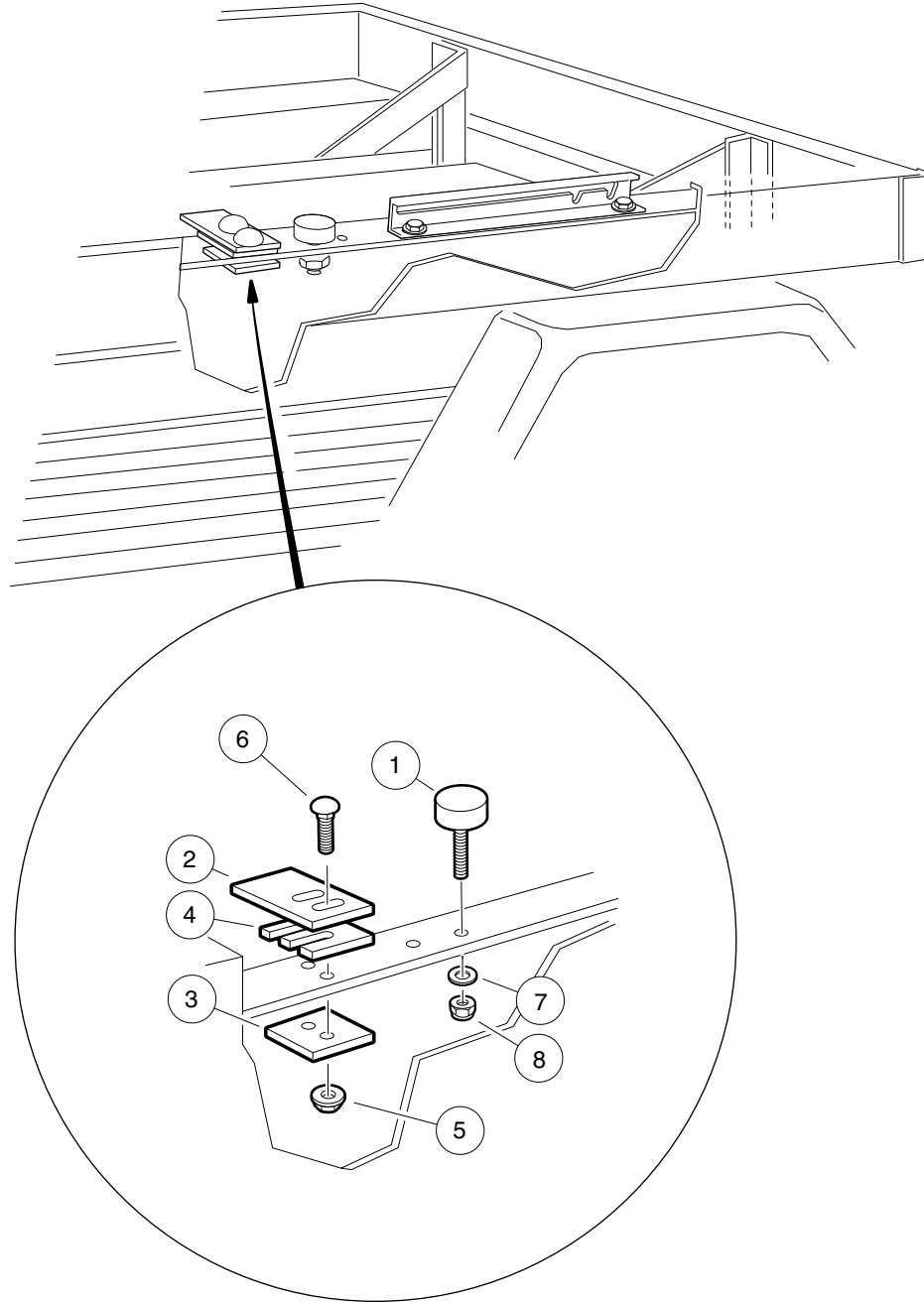
000256-003

TILT BED, HINGE, AND LATCH – TURF/CARRYALL 1

ITEM	PART NO.	DESCRIPTION	QTY
		1 2 3 4	
1	1012303	Bushing, Steel	2
2	1015427	Tilt Bed, Carryall 1 (includes items 3 through 13)	1
3	1010435	Bolt, Carriage, 5/16-18 X 1.00	2
4	1014471	Tape, Vinyl Foam 1/8" x 3/4" *	1
5	1015252	Latch Weld Assembly	1
6	N/A	Plate, Floor, Carryall 1 Flat bed	1
7	N/A	Frame Assembly, Tilt Bed	1
8	N/A	Extension, Spring Latch	2
9	1015399	Screw, 5/16-18 X 0.88 Torx Truss-Head	4
10	1015400	Grip, Tilt Latch Hand	1
11	101835601	Locknut, 1/4-20 Hex Whiz	4
12	403	Screw, 1/4-20 X 0.625 Hex-Head Cap	4
13	7473	Locknut, 5/16-18 Nylon Insert	6
14	1015507	Shim, Tilt Bed Pivot	1
15	1015583	Bushing, Urethane	4
16	102065901	Locknut, 3/8-16 Flanged Dimple	4
17	102989501	Seal, Bed, 41-Inch	1
18	103538701	Extra, Bracket, Hinge, Bed	2
19	103538901	3/8-16 X 3.5 Carr Blt Gr5 Zn	4
20	7532	Rivet, 3/16 X 0.3125, Pop	4
21	8754	Locknut, 3/8-16 Hex	2
22	8755	Screw, 3/8-16 X 3.375 Hex Cap	2
		* Note: Item not shown.	

1
G
E

1
G
E



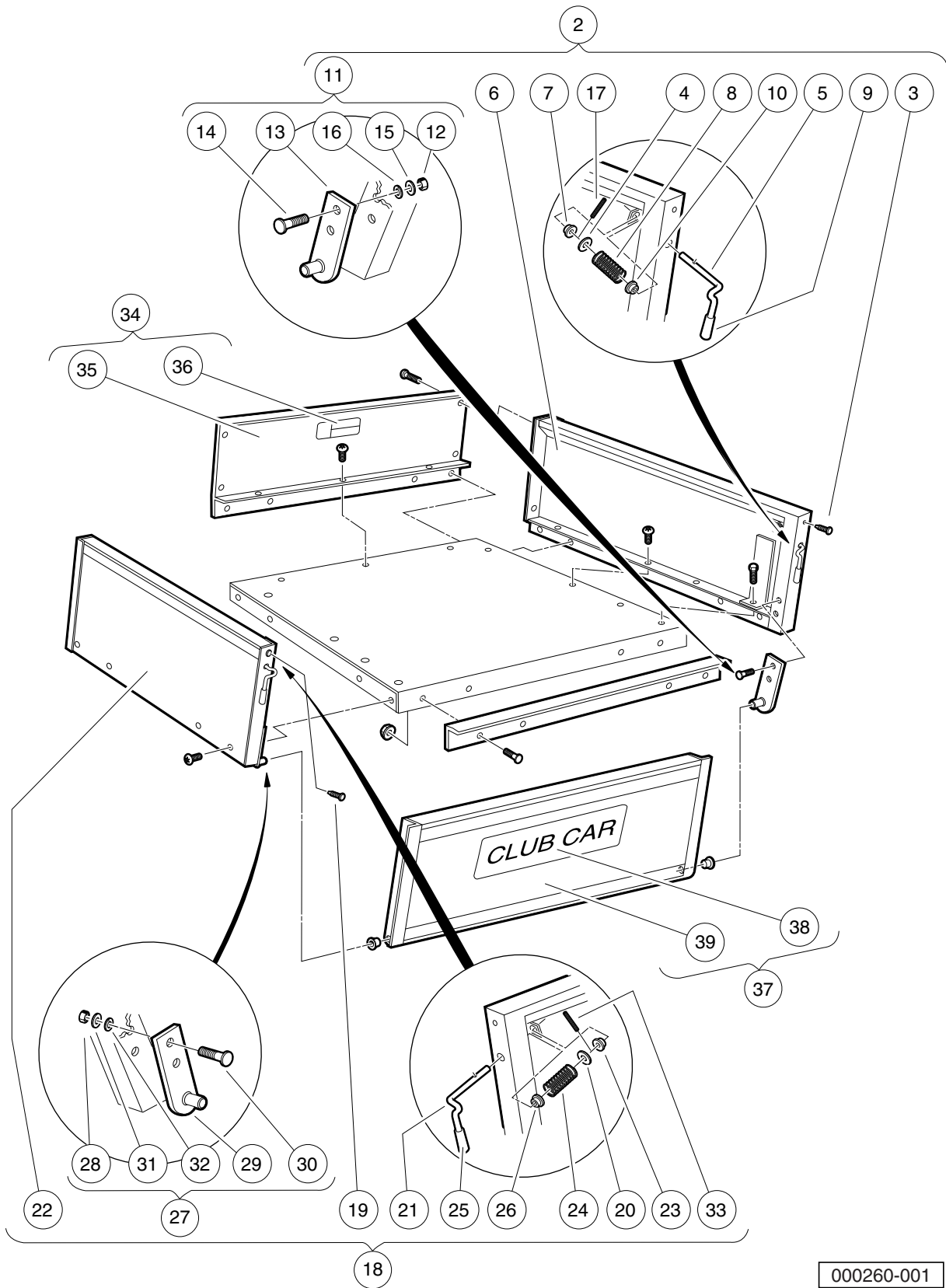
000258-002

LATCH PLATE

ITEM	PART NO.	DESCRIPTION	QTY
		1 2 3 4	
1	1010878	Bumper, Rubber	2
2	1015277	Latch Plate, Tilt Bed	2
3	1016060	Plate, Latch Support	2
4	1016078	Latch Plate Shim	1
5	101835601	Locknut, 1/4-20 Hex Whiz	4
6	101958601	Carriage Bolt, 1/4-20 X 0.75	4
7	332	Washer, 1/4 Type A Narrow Flat	4
8	8233	Locknut, 1/4-20 Nylon Insert	4

1
G
E

1
G
E



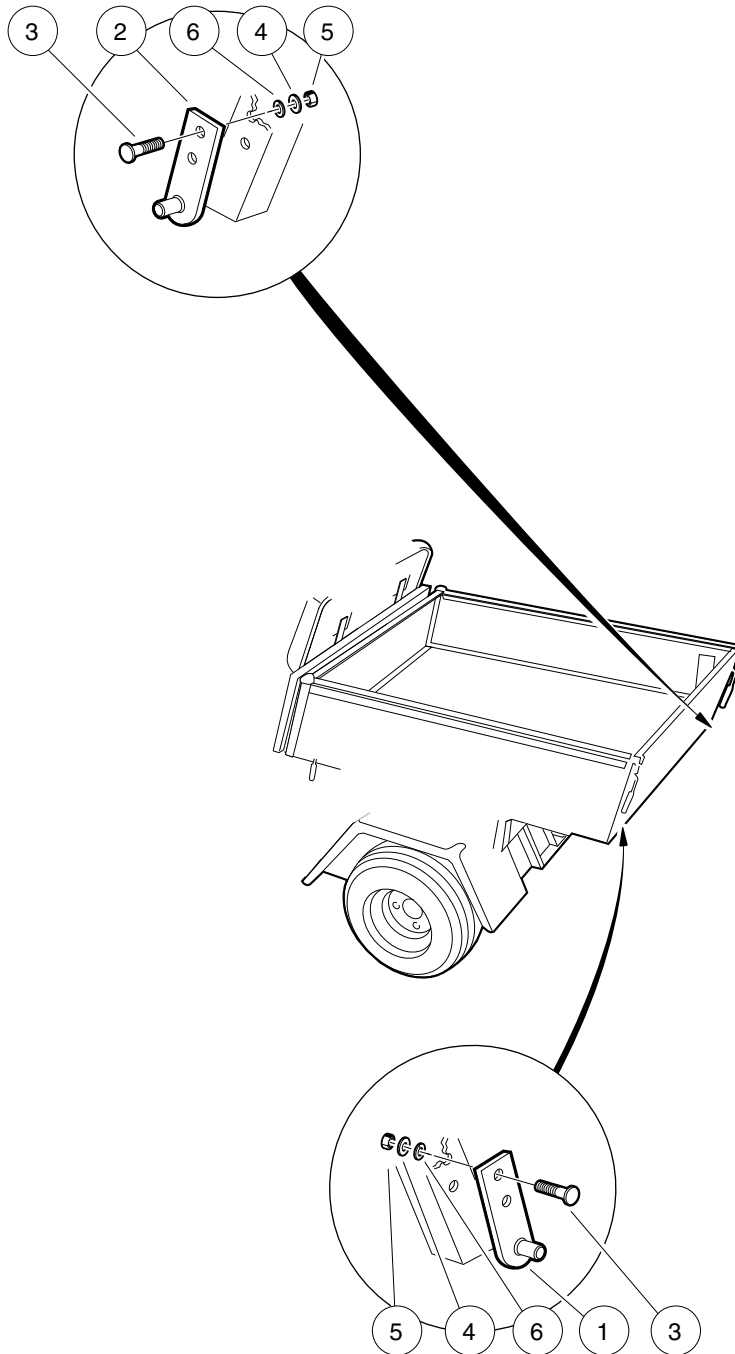
000260-001

CARGO BOX

ITEM	PART NO.	DESCRIPTION	QTY
		1 2 3 4	
1	1015606	Kit, Cargo Box (includes items 2 through 37)	1
2	1015365	Side Panel Assembly, Right-Hand (includes items 3 through 17)	1
3	1010434	Barrel - Plastic	1
4	1011990	Washer, 3/8 Flat	1
5	1015245	Latch, Tailgate, Right-Hand	1
6	N/A	Side-Panel Weldment, Right-Hand	1
7	1015363	Bushing, Snap-In	1
8	1015390	Compression Spring Latch Tilt	1
9	1015400	Grip, Tilt Latch Hand	1
10	1032	Bushing, Nylon	1
11	103406502	Kit, Tlgt Mtg Brkt, Ca Rh (includes items 12 through 16)	1
12	1028	Nut, 1/4-20 Hex	2
13	N/A	Asm, Tlgt, Mtg Brkt, Ca Rh	1
14	103406601	Stud, 1/4 Self-clnchg Flush	2
15	332	Washer, 1/4 Type A Narrow Flat	2
16	451	Lockwasher, 1/4 Split	2
17	1231	Pin, 1/8 X 1.00 Split Roll	1
18	1015367	Side Panel Assembly, Left-Hand (includes items 19 through 33)	1
19	1010434	Barrel - Plastic	1
20	1011990	Washer, 3/8 Flat	1
21	1015313	Latch, Tailgate, Left-Hand	1
22	N/A	Side-Panel Weldment	1
23	1015363	Bushing, Snap-In	1
24	1015390	Compression Spring Latch Tilt	1
25	1015400	Grip, Tilt Latch Hand	1
26	1032	Bushing, Nylon	1
27	103406501	Kit, Tlgt Mtg Brkt, Ca Lh (includes items 28 through 32)	1
28	1028	Nut, 1/4-20 Hex	2
29	N/A	Asm, Tlgt, Mtg Brkt, Ca Lh	1
30	103406601	Stud, 1/4 Self-clnchg Flush	2
31	332	Washer, 1/4 Type A Narrow Flat	2
32	451	Lockwasher, 1/4 Split	2
33	1231	Pin, 1/8 X 1.00 Split Roll	1
34	1015413	Assembly, Front Panel (includes items 35 and 36)	1
35	N/A	Front Panel Box	1
36	101553901	Decal, Bed Load Warning	1
37	1015414	Assembly, Tailgate (includes items 38 and 39)	1
38	1013317	Decal, Logo, Tailgate	1
39	N/A	Tailgate Weldment	1
<p>Note: Additional components in kit 1015606 are shown on the following two pages.</p>			



1
G
E



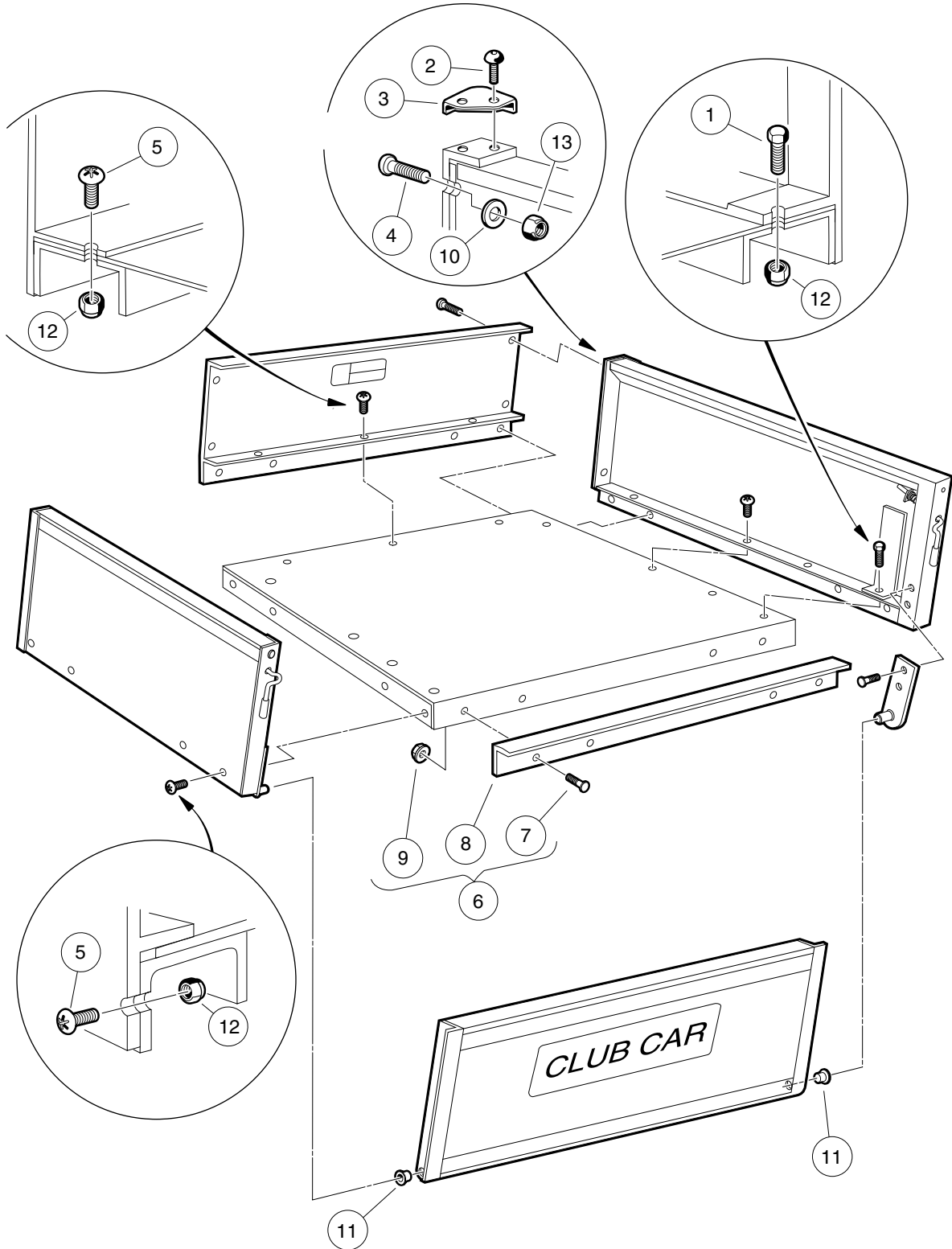
000797-001

TAILGATE BRACKET (EARLIER STYLE)

ITEM	PART NO.	DESCRIPTION	QTY
		1 2 3 4	
1	1014513	Tailgate Mounting Bracket, Left-Hand	1
2	1014514	Tailgate Mounting Bracket, Right-Hand	1
3	1014537	Stud, Self-Clinching Flush Head	4
4	1241	Washer, 5/16 Type A Flat	4
5	1242	Nut, 5/16-18 Hex	4
6	7174	Lockwasher, 5/16 Split	4
		<p>Note: Additional components in kit 1015606 are shown on the following two pages.</p>	

1
G
E

1
G
E



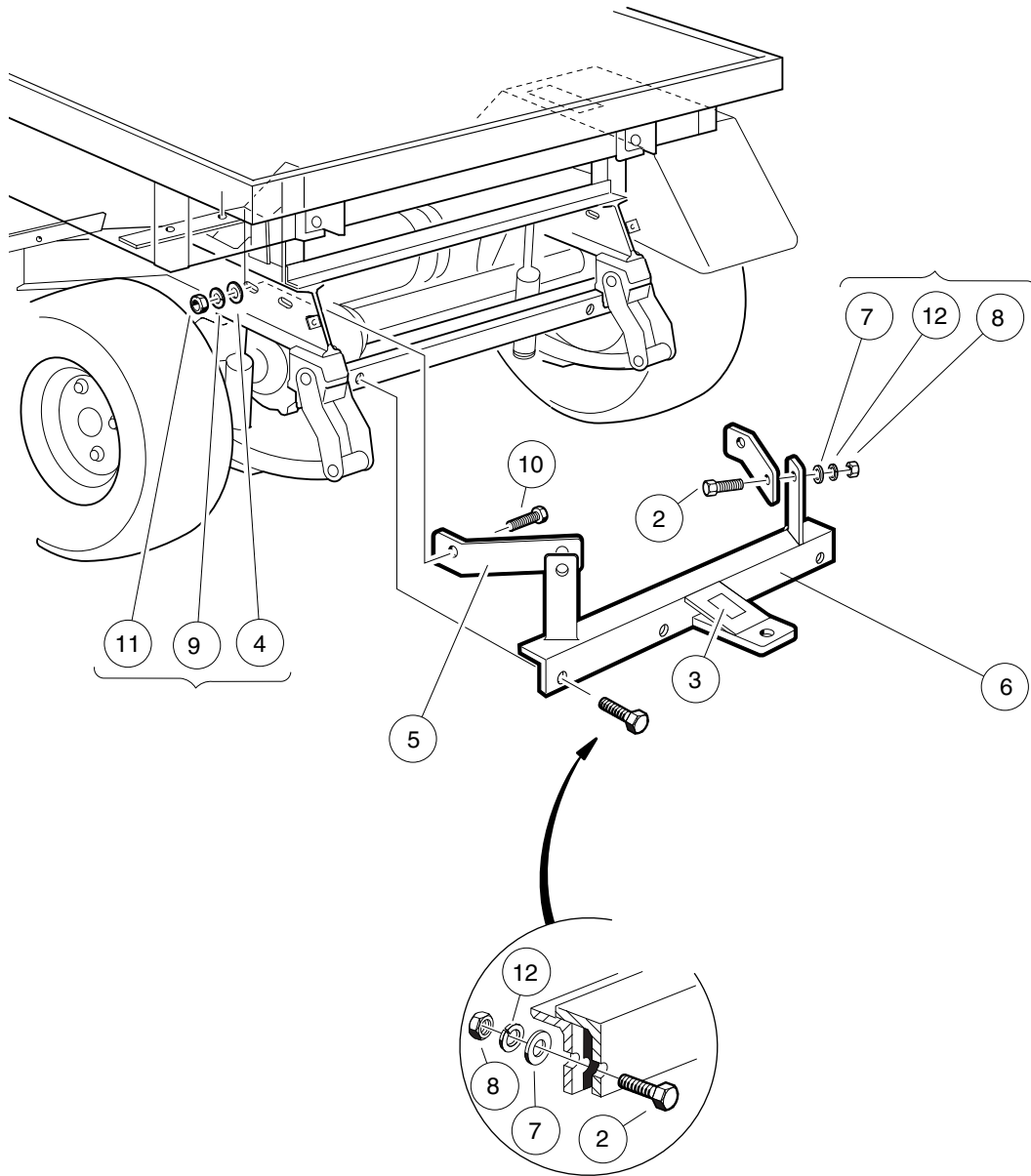
000261-001

CARGO BOX MOUNTING

ITEM	PART NO.	DESCRIPTION	QTY
		1 2 3 4	
1	1010934	Screw, 5/16-18 X 1.00 Hex Cap	2
2	1014321	Screw, #10 Truss-Head Torx	4
3	1014387	Cap, Corner	2
4	1014415	Screw, 1/4-20 X 0.75 Torx Truss-Head	4
5	1015399	Screw, 5/16-18 X 0.88 Torx Truss-Head	17
6	****	Kit, Tailgate Angle (includes items 7 through 9)	1
7	1014537	Stud, Self-Clinching Flush Head	4
8	N/A	Box Bed Tailgate Angle	1
9	101963401	Locknut, 5/16-18 Hex Flange	4
10	332	Washer, 1/4 Type A Narrow Flat	4
11	7049	Bushing, Nylon	2
12	7473	Locknut, 5/16-18 Nylon Insert	19
13	8233	Locknut, 1/4-20 Nylon Insert	4
<p>**** Special order item available upon request.</p> <p>Note: All parts listed on this page are included in kit 1015606.</p>			

1
G
E

1
G
E



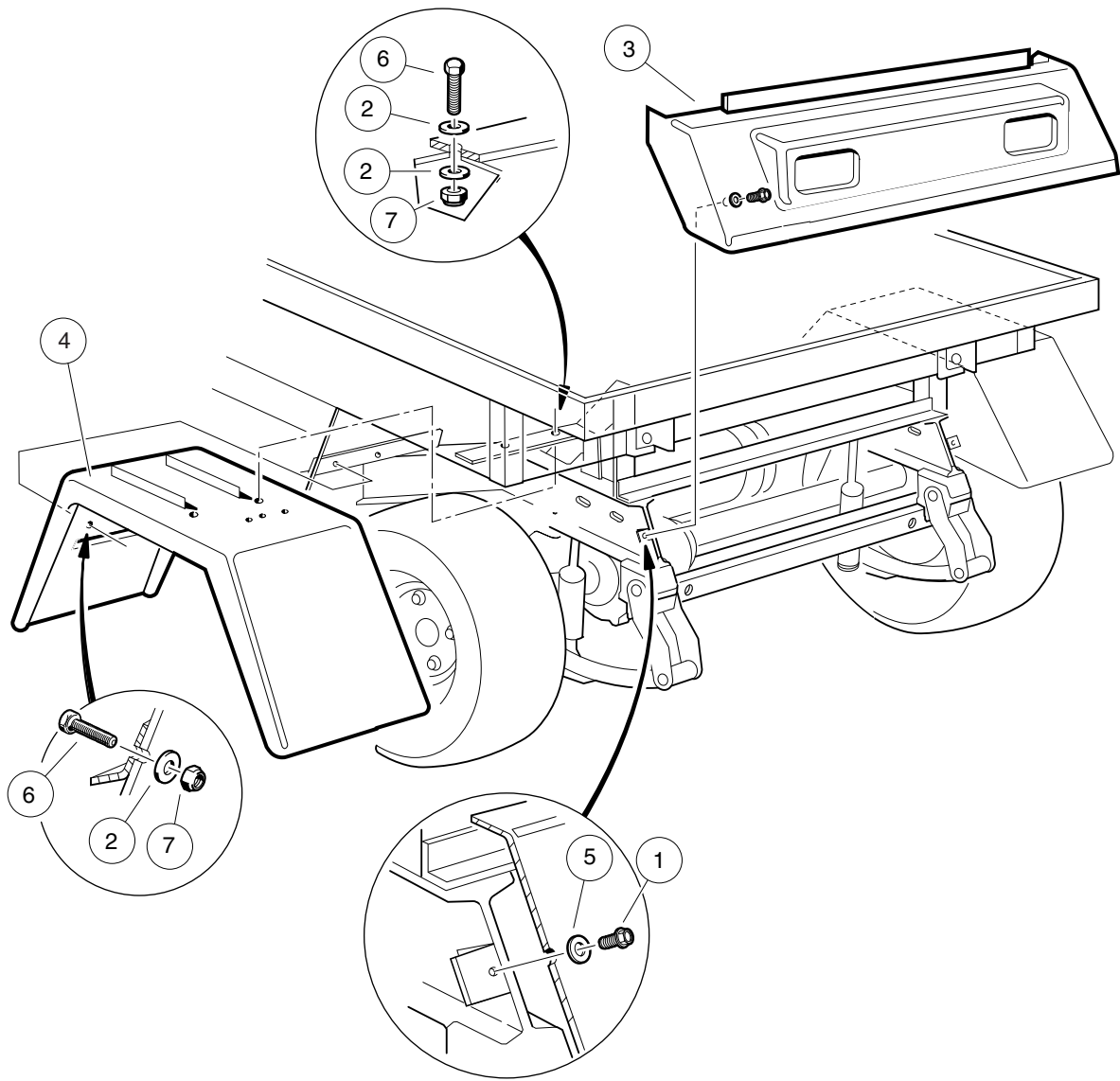
000265-001

TRAILER HITCH

ITEM	PART NO.	DESCRIPTION	QTY
		1 2 3 4	
1	1015445	Kit, Trailer Hitch (includes items 2 through 12)	1
2	1010934	Screw, 5/16-18 X 1.00 Hex Cap	4
3	1011553	Decal, Trailer Hitch	1
4	1011990	Washer, 3/8 Flat	2
5	1013483	Brace, Trailer Hitch	2
6	N/A	Asm, Trailer Hitch	1
7	1241	Washer, 5/16 Type A Flat	4
8	1242	Nut, 5/16-18 Hex	4
9	357	Lockwasher, 3/8 Split	2
10	705	Screw, Cap-hex Hd 3/8-16x1.25	2
11	706	Nut, Hex 3/8-16	2
12	7174	Lockwasher, 5/16 Split	4

1
G
E

1
G
E



000266-001

REAR BODY TRIM

ITEM	PART NO.	DESCRIPTION	QTY
		1 2 3 4	
1	1012285	Screw, 1/4 X 0.625 Hex-Head	2
2	1014306	Washer, 1/4" Type B Flat	12
3	1015530	Tailskirt	1
4	1016679	Rear Fender	2
5	332	Washer, 1/4 Type A Narrow Flat	2
6	7847	Screw, 1/4-20 X 0.75 Hex-Head Cap	8
7	8233	Locknut, 1/4-20 Nylon Insert	8

1
G
E

1

G

E

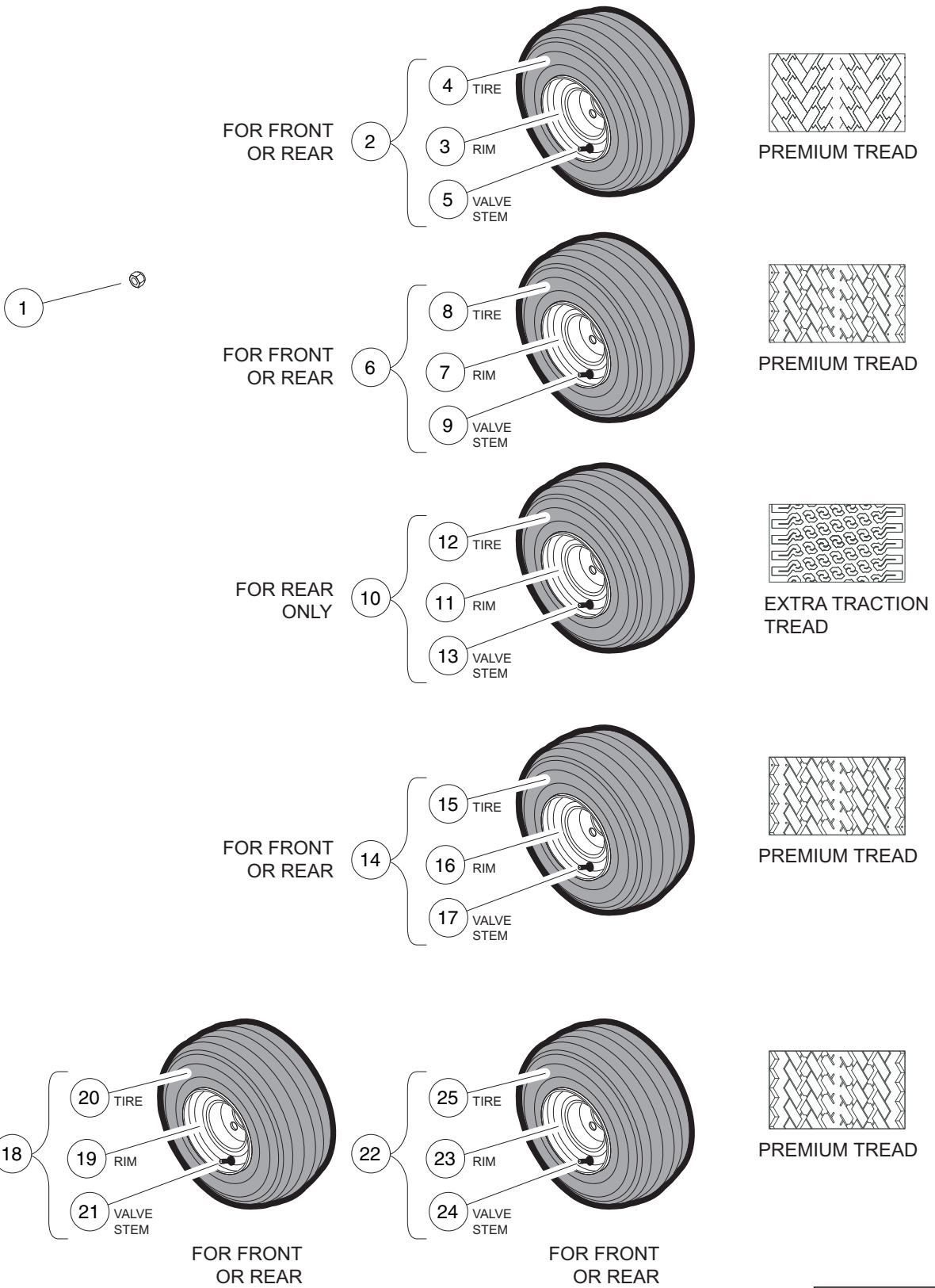
WHEELS AND TIRES

2

G

E

2
G
E



000269-001

WHEELS AND TIRES

ITEM	PART NO.	DESCRIPTION	QTY
		1 2 3 4	
1	1010984	.500-20 Unf Lug Nut	16
2	101651402	Tire/Wheel Asm, White, Premium Tread (includes items 3 through 5)	4
3	1014771	Wheel Rim, White	1
4	101567202	Tire, Unmounted, Links 18 x 8.50-8	1
5	7310	Valve Stem	1
6	101651406	Tire/Wheel Asm, White, Premium Tread, 6-Ply (includes items 7 through 9)	4
7	1014771	Wheel Rim, White	1
8	101737002	Tire, Unmounted	1
9	7310	Valve Stem	1
10	101651407	Tire/Wheel Asm, White, Extra-Traction, 6-Ply (includes items 11 through 13)	2
11	1014771	Wheel Rim, White	1
12	N/A	Tire, Unmounted Xtrac 18 x 8.50-8	1
13	7310	Valve Stem	1
14	101651409	Tire/Wheel Asm, White, Premium Tread, 6.5-inch (includes items 15 through 17)	4
15	101884901	Tire, Unmounted, Power Rib 18 x 6.50-8	1
16	101918401	Wheel Rim, Beige	1
17	7310	Valve Stem	1
18	101651412	Tire/Wheel Asm, White, Duro Premium Tread (includes items 19 through 21)	4
19	1014771	Wheel Rim, White	1
20	102569304	Duro 18 X 8.5 X 8, 4-Ply	1
21	7310	Valve Stem	1
22	101651413	Tire/Wheel Asm, White, Kenda Premium Tread (includes items 23 through 25)	4
23	1014771	Wheel Rim, White	1
24	7310	Valve Stem	1
25	AM10682	Unmounted Prem Tire 18x8.50x8	1

2
G
E

2

G

E

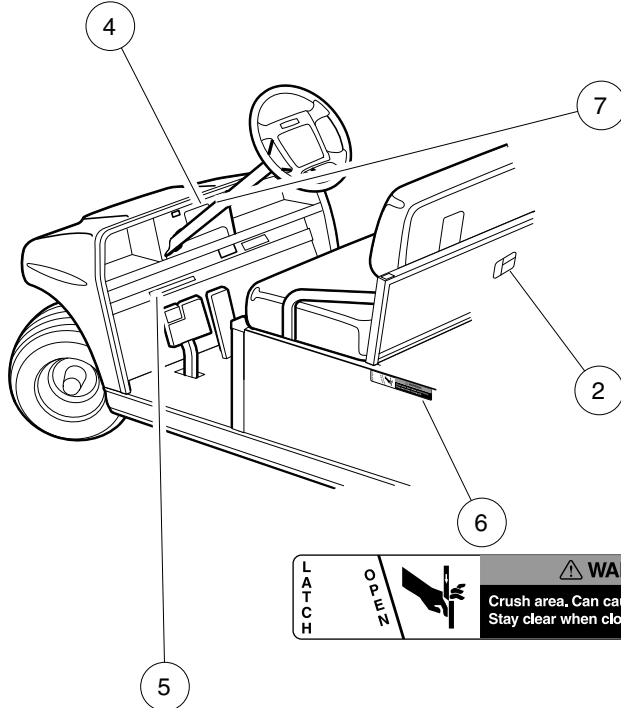
DECALS

3

G

E

OFF | ON



⚠ WARNING

ROLLOVER OR FALLING OFF MAY CAUSE DEATH.

- Before using vehicle, read operating instructions.
- Remain seated and hold on to seat handle while moving.
- Do not start vehicle until all occupants are seated.
- Two (2) persons per seat maximum.
- Operate from driver side only and not on public roads.
- Keep entire body inside vehicle while moving.
- Drive slowly in turns and straight up and down slopes.
- Do not leave children unattended on vehicle.
- Never operate under the influence of alcohol or drugs.
- Use brakes to reduce speed when coasting downhill.
- Never stand in front of or behind vehicle.

CCI 103205401

⚠ WARNING

Riding in cargo bed can cause severe injury or death. Do not ride in cargo bed.

CCI 1015339-01

LATCH | OPEN

⚠ WARNING

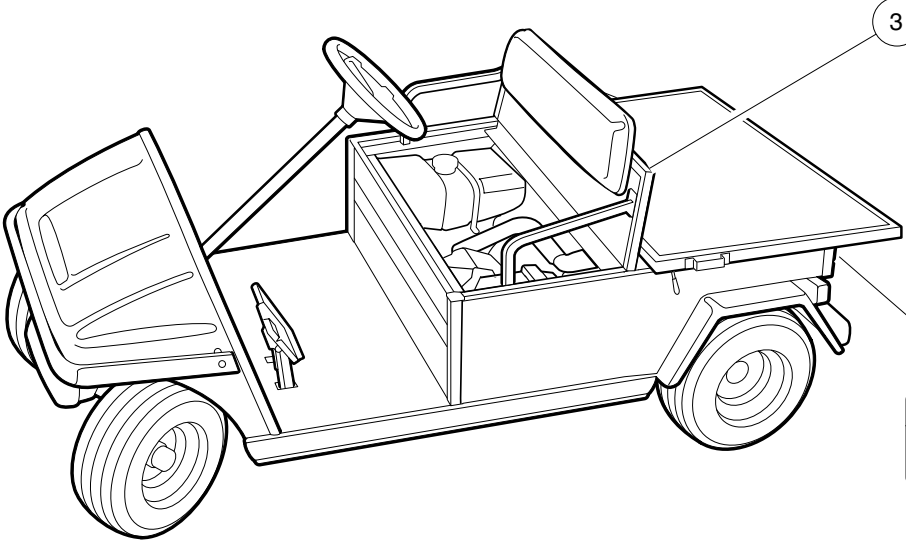
Crush area. Can cause severe injury. Stay clear when closing bed.

VEHICLE LOADING

Read owner's manual and warnings on dash.

- Vehicle rated capacity - 800 lb on level surface only. Weight to include passengers, cargo bed load, and gross trailer weight. See owner's manual.
- Maximum cargo load - 300 lb. Weight to include cargo bed load and gross trailer weight.
- Maximum trailer hitch tongue weight - 150 lbs.
- Cargo should be evenly spread over the floor of the cargo bed as far forward as possible and secured.
- For vehicle stability, when fully loaded, drive slowly and avoid stopping on or backing down steep hills.
- Avoid top heavy loads. See owner's manual.
- When driving on uneven terrain or down steep hills, reduce speed and load.

CCI 101960101



⚠ WARNING

CRUSH AREA

STAY CLEAR

CCI 1016094-01

NOTICE

MAXIMUM TONGUE WEIGHT - 150 lb. (667 N)

CCI 1011553

000270-002

DECALS

ITEM	PART NO.	DESCRIPTION	QTY
		1 2 3 4	
1	1011553	Decal, Trailer Hitch	1
2	101553901	Decal, Bed Load Warning	1
3	101609401	Decal, Crush Area Warning	2
4	101825101	Decal, Off/On	1
5	101960101	Decal, Vehicle Loading	1
6	102459301	Decal, Bed Crush Area Warning	1
7	103205401	Decal, Warning, Rollover, Utl	1

3
G
E

OPERATING INSTRUCTIONS

- Read owner's manual and dash-mounted safety warnings prior to driving.
- Study and understand controls.

TO OPERATE

- Turn wheels to desired direction and ensure path is clear.
- Turn key to ON position.
- While stopped, place Forward/Reverse switch in desired position:
F=Forward N=Neutral R=Reverse (buzzer will sound)
- Park brake will release and vehicle will start moving when accelerator pedal is pressed.
- Slowly press accelerator pedal to increase speed.
- To stop, release accelerator pedal and press brake pedal.

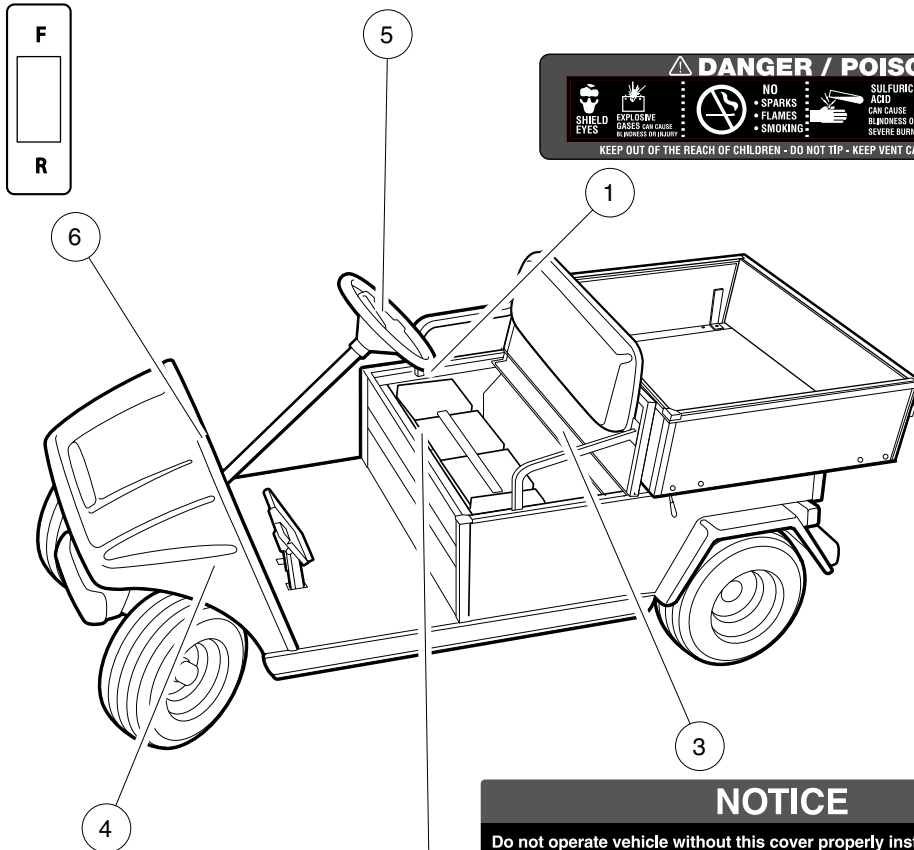
BEFORE LEAVING

- Press park brake pedal until it locks and holds vehicle.
- Place Forward/Reverse switch in NEUTRAL position.
- Turn key OFF and remove key when not in use.

MOTOR BRAKING

- Electric motor braking provides speed regulation functions.
- For parked vehicle, beeping alarm indicates vehicle roll away.
- In operation, beeping alarm indicates reduction in motor braking.
- Apply brakes to further reduce vehicle speed as required.
- System is activated only when tow switch is in the RUN position.
- When towing this vehicle, tow switch must be in the TOW position.

CCJ 102518001



IMPORTANT NOTICE

- Maximum vehicle speed is limited by motor braking during downhill operation with accelerator pedal depressed.
- If motor brake enabled, vehicle motor will brake when accelerator pedal is released.
- Beeping alarm indicates reduction in motor braking. Apply brakes to reduce speed.
- System is activated only when tow switch is in the "RUN" position.
- When towing vehicle, tow switch must be in the "TOW" position.

101929902

DANGER / POISON

SHIELD EYES
 EXPLOSIVE GASES CAN CAUSE BLINDNESS OR INJURY

NO SPARKS, FLAMES, OR SMOKING

SULFURIC ACID CAN CAUSE BLINDNESS OR SEVERE BURNING

FLUSH EYES IMMEDIATELY WITH WATER GET MEDICAL HELP FAST

KEEP OUT OF THE REACH OF CHILDREN - DO NOT TIP - KEEP VENT CAPS TIGHT AND LEVEL

NOTICE

Do not operate vehicle without this cover properly installed. Do not direct water stream in this area; will cause damage to components. See vehicle maintenance and service manual before servicing.

CCJ 101931501

WARNING TOW RUN

Place Tow/Run switch in TOW position before:

- Disconnecting or connecting batteries
- Towing
- Extended storage
- Servicing

FAILURE TO HEED THIS WARNING COULD RESULT IN A BATTERY EXPLOSION OR SEVERE PERSONAL INJURY.

CCJ 101908601

000272-002

DECALS – ELECTRIC VEHICLES

ITEM	PART NO.	DESCRIPTION	QTY
		1 2 3 4	
1	1013677	Decal, Battery Danger	6
2	101908601	Decal, Tow/Run Switch Warning	1
3	101931501	Decal, Component Cover	1
4	101959902	Decal, IQ System Motor Braking	1
5	102518001	Decal, Operating Instr, Elec	1
6	103210301	Decal, Forward/Reverse, Electric	1

3

G

E

OPERATING INSTRUCTIONS

- Read owner's manual and safety warnings located on dash panel prior to driving.
- Study and understand controls.

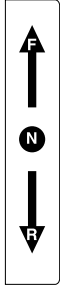
TO OPERATE

- Turn wheels to desired direction and ensure path is clear.
- Turn key to ON position.
- While stopped, place shift lever in desired position:
F – Forward N – Neutral R – Reverse (Buzzer will sound)
- Park brake will release and vehicle will start moving when accelerator pedal is pressed.
- Slowly press accelerator pedal to increase speed.
- To stop, release accelerator pedal and press brake pedal.

BEFORE LEAVING

- Press park brake pedal until it locks and holds vehicle.
- Place Forward/Reverse switch in NEUTRAL position.
- Turn key OFF and remove key when not in use.

CCI 102519201

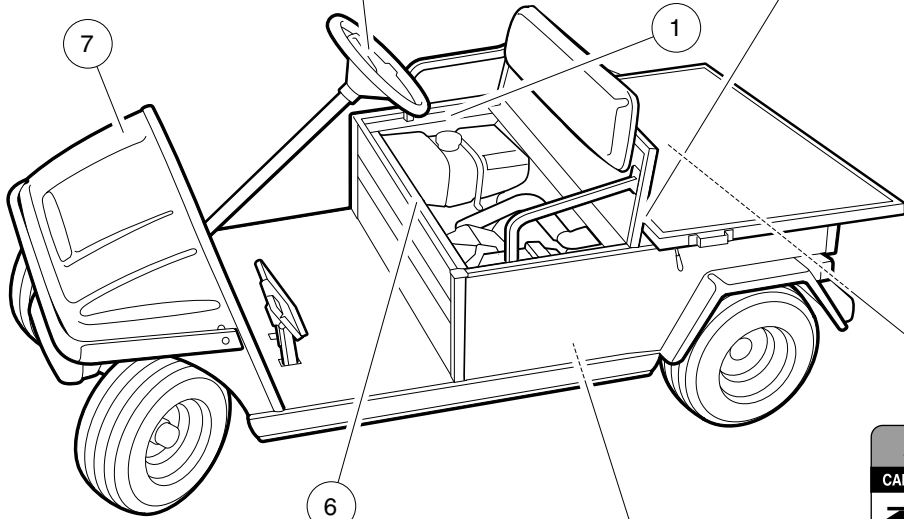


WARNING
CAN CAUSE SEVERE BURNS
Hot Surface
CCI 102458901

WARNING
GASOLINE EXPLOSION / FIRE.

- Can cause severe injury or death.
- No smoking, sparks, or open flame.
- Stop engine, allow to cool before refueling.
- Turn fuel valve (↔) on during operation. (↔) off during storage or transport.

CCI 101547601



Maintenance Operate

WARNING

VEHICLE MOVEMENT MAY CAUSE SERIOUS INJURY
When switch is in Maintenance position, chock wheels and firmly set park brake.

CCI 103205501

WARNING
CAN CAUSE SEVERE INJURY

Rotating parts

HOT manifold & muffler

KEEP CLEAR
CCI 101960501

	WARNING		WARNING
	Negative frame ground. Can cause severe injury. Do not contact positive (+) battery post or cable to frame. Disconnect negative battery cable first.		Excessive speed can cause severe injury or death. Do not tamper with engine governor adjustment.
	CCI 101915201		

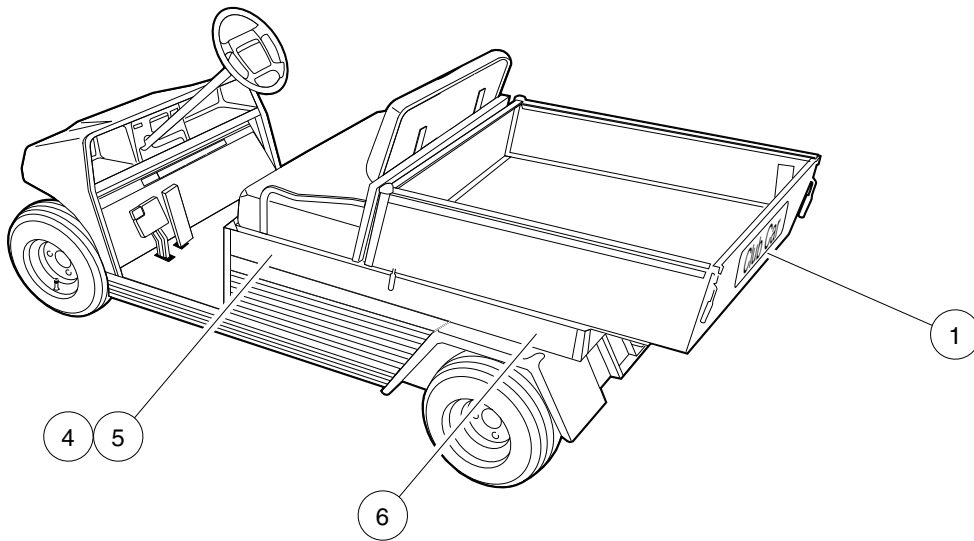
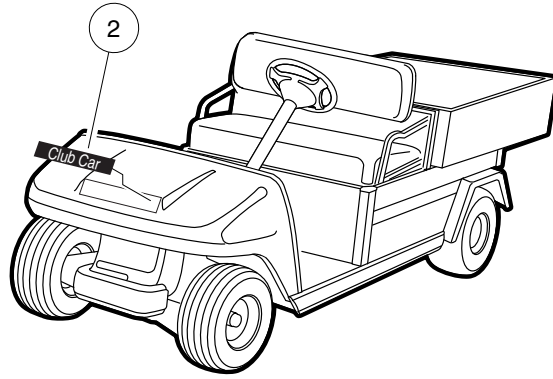
000273-002

DECALS – GASOLINE VEHICLES

ITEM	PART NO.	DESCRIPTION	QTY
		1 2 3 4	
1	101547601	Decal, Gasoline Explosion/Fire Warning	1
2	101915201	Decal, Frame Ground and Governor Warning	1
3	101960501	Decal, Rotating Parts/Hot Manifold	2
4	102458901	Decal, Hot Surface Warning	2
5	102519201	Decal, Operating Instr, Gas	1
6	103205501	Decal, Run/Service Switch	1
7	103210201	Decal, Forward/Reverse, Gas	1

3
G
E

LOGO DECALS



000287-003

DECALS, LOGO

ITEM	PART NO.	DESCRIPTION	QTY
		1 2 3 4	
1	1013317	Decal, Logo, Tailgate	1
2	101670201	Nameplate Kit (silver)	1
3	103234301	Decal, Badge, IR	2
4	103260001	Decal Turf 1 Side Panel	2
5	103260701	Decal Ca 1 Side Panel	2
6	103284001	Decal Ca1 Black Bar	1

3
G
E

3

G

E

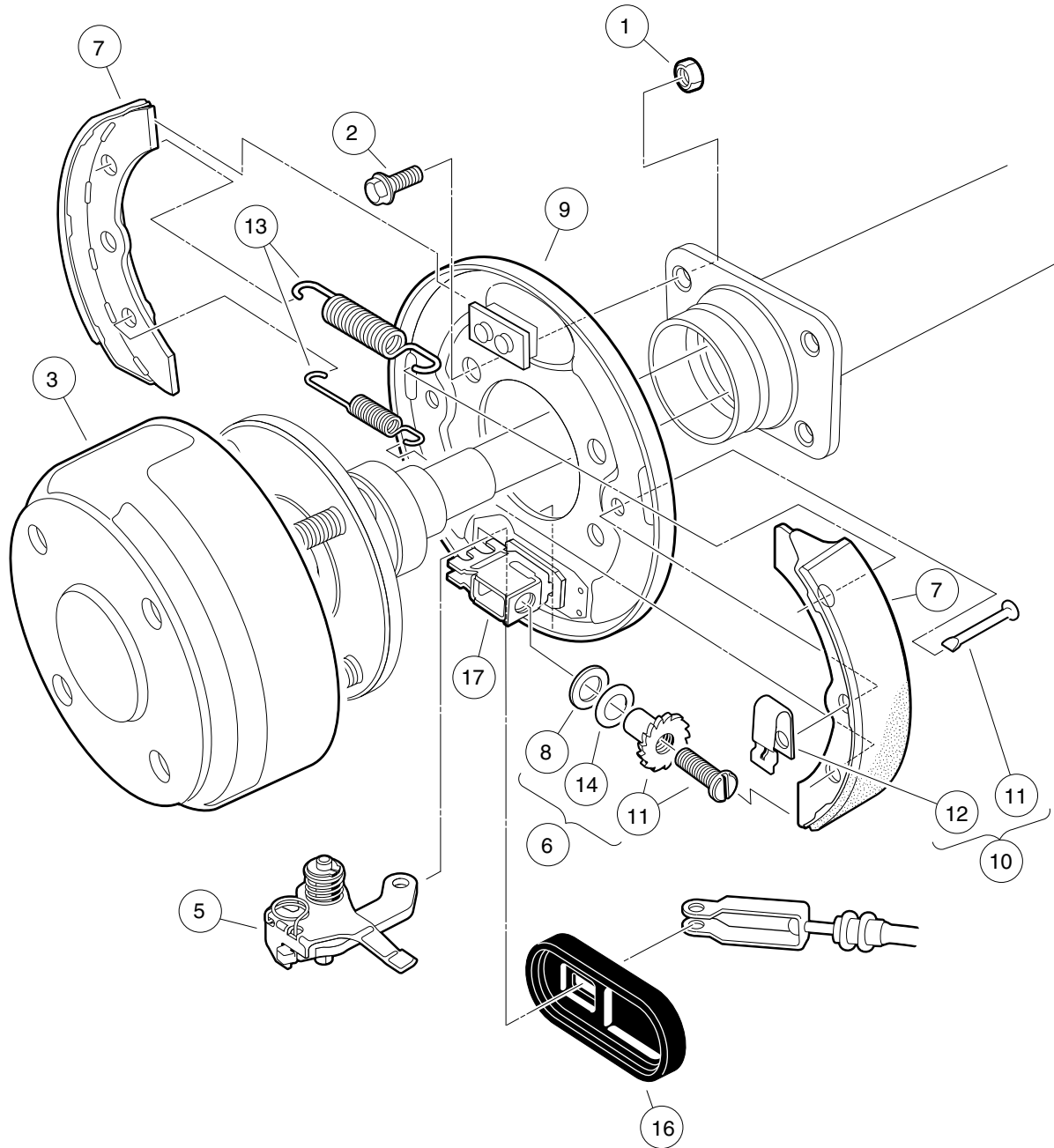
BRAKES, PEDALS, AND CABLE ASSEMBLIES

4

G

E

4
G
E



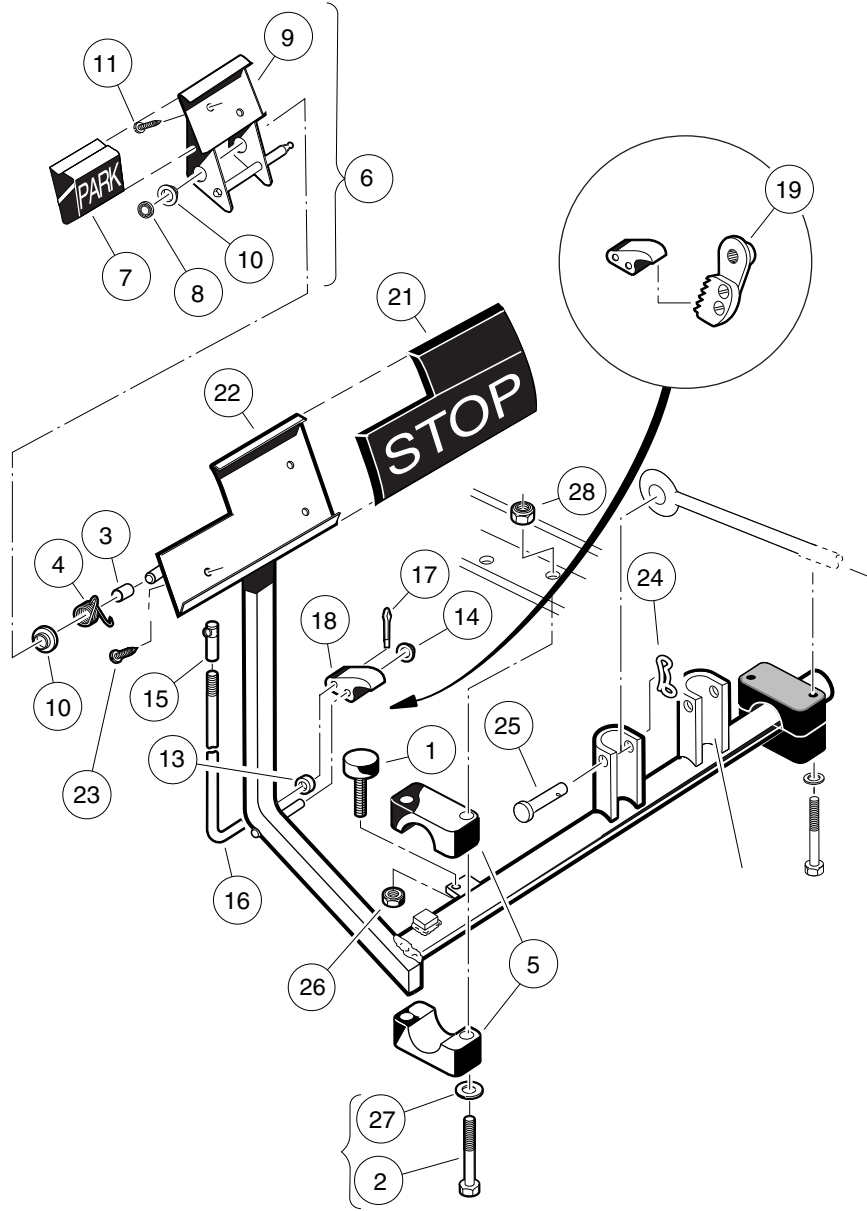
000186-001

REAR BRAKE ASSEMBLY, SELF-ADJUSTING – VEHICLE WITH 2-WHEEL BRAKES

ITEM	PART NO.	DESCRIPTION	QTY
		1 2 3 4	
1	1013924	Nut, 5/16-24 Hex Head Cone	8
2	1014153	Bolt, Brake Cluster Mounting	8
3	101791101	Drum without Center Hole, Brake	2
4	103380201	Asm, Brake Cluster, Mech, Drvr (includes items 5 through 17)	1
5	101815501	Lever Assembly, Self-Adjusting Brake, Right (Passenger)	1
6	101816501	Adj Mechanism, S.A. Brakes, Right (Passenger)	1
7	101823201	Package, Brake Shoe, Self-Adjusting	1
8	101823801	Plate, Washer, Brake, Self-Adjusting	1
9	103483101	Back Plate, Rh	1
10	103483201	Kit, Shoe Retainer (includes items 11 and 12)	1
11	1010953	Pin	2
12	103483301	Spring, Shoe, Clamp	2
13	103483401	Package Brake Spring Self Adj (includes items 14 and 15)	1
14	101816401	Brake Spring Self Adj	2
15	103483501	Spring Brake	2
16	103483601	Cover, Dust	1
17	103483701	Brake Block	1
18	103380202	Asm, Brake Cluster, Mech, Pass (includes items 19 through 31)	1
19	101815502	Lever Assembly, Self-Adjusting Brake, Left	1
20	101816502	Adjusting Mechanism, Self-Adjusting Brake, Left	1
21	101823201	Package, Brake Shoe, Self-Adjusting	1
22	101823801	Plate, Washer, Brake, Self-Adjusting	1
23	103483102	Back Plate, Lh	1
24	103483201	Kit, Shoe Retainer (includes items 25 and 26)	1
25	1010953	Pin	2
26	103483301	Spring, Shoe, Clamp	2
27	103483401	Package Brake Spring Self Adj (includes items 28 and 29)	1
28	101816401	Brake Spring Self Adj	2
29	103483501	Spring Brake	2
30	103483601	Cover, Dust	1
31	103483701	Brake Block	1
Note: Driver-side brake cluster not shown. Components have a similar appearance to passenger-side brake cluster components.			

4
G
E

4
G
E



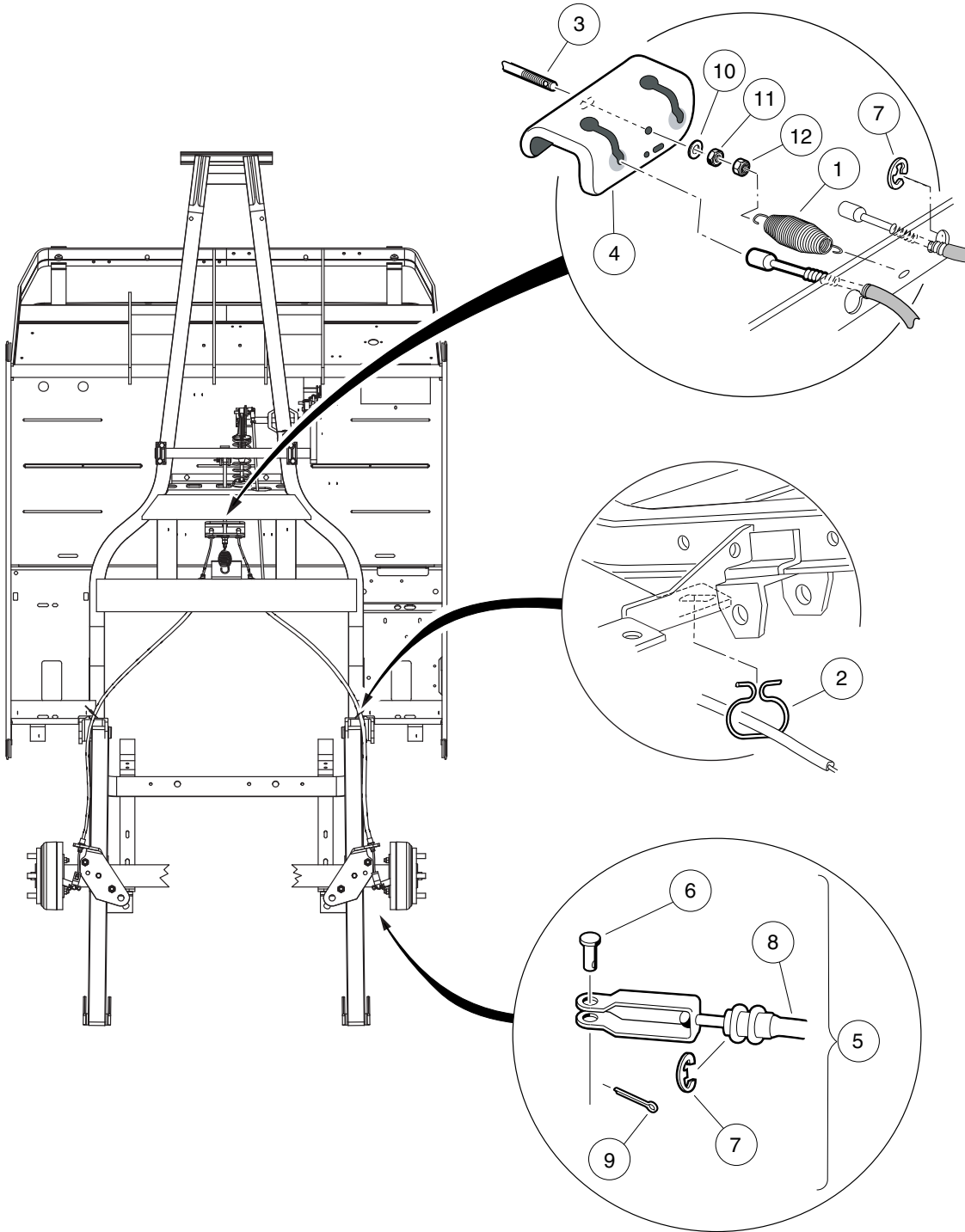
000187-001

BRAKE PEDAL ASSEMBLY – VEHICLES WITH TWO-WHEEL BRAKES

ITEM	PART NO.	DESCRIPTION	QTY
		1 2 3 4	
1	1010878	Bumper, Rubber	1
2	1010921	Screw, 5/16-18 X 2.50 Hex Cap	4
3	1010927	Hill Brake Spacer	1
4	1010933	Spring, Hill Brake Torsion	1
5	1011402	Package, Brake Mounting Block	1
6	1011418	Kit, Hill Brake Pedal (includes items 7 through 11)	1
7	1013870	Pad, Hill Brake	1
8	1013876	Pushnut, 3/8	1
9	N/A	Hill Brake Weld Assembly	1
10	1032	Bushing, Nylon	2
11	7716	Screw, #10-16 Type AB, Sheet Metal	2
12	101187702	Kit, Hill Brake Latch (includes items 13 through 19)	1
13	1010805	Sleeve, Hill Brake Rod	1
14	1010877	Pushnut, 3/8	1
15	1010932	Ball Joint, 1/4-28	1
16	N/A	Rod, Hill Brake	1
17	1017029	Pin, Cotter, 7/64 x 1/2 Stainless-Steel	1
18	N/A	Pawl, Hill Brake	1
19	101918501	Ratchet Assembly	1
20	101878201	Brake Pedal Kit (includes items 21 through 23)	1
21	1013869	Pad, Brake Pedal	1
22	N/A	Weldment, Brake Pedal 4wb Std	1
23	7716	Screw, #10-16 Type AB, Sheet Metal	3
24	102323101	Pin, Bow Tie Locking	1
25	102323201	Pin, 3/8 X 1-5/16 Clevis	1
26	1028	Nut, 1/4-20 Hex	1
27	1241	Washer, 5/16 Type A Flat	4
28	7473	Locknut, 5/16-18 Nylon Insert	4

4
G
E

4
G
E



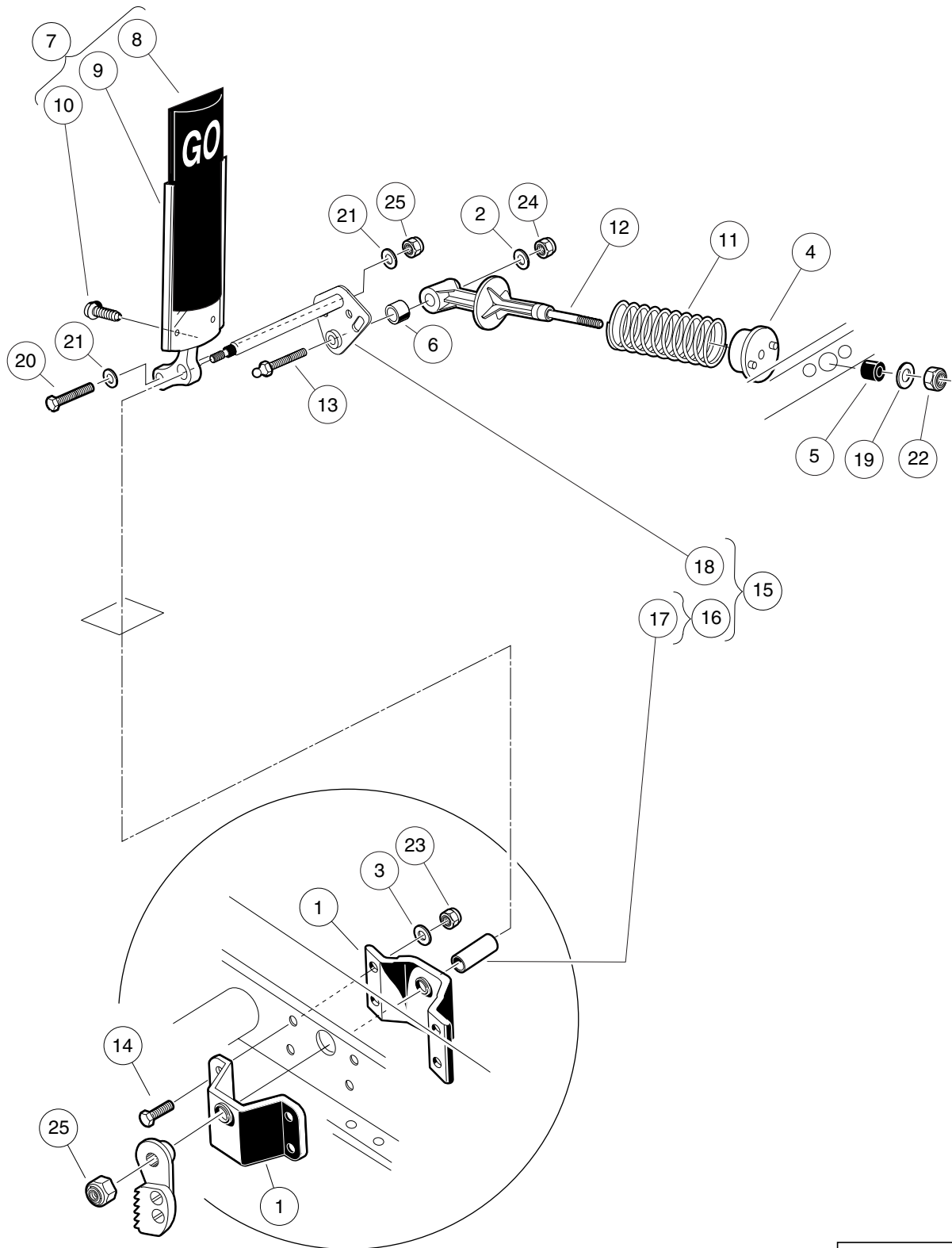
000245-001

BRAKE CABLES AND EQUALIZER

ITEM	PART NO.	DESCRIPTION	QTY
		1 2 3 4	
1	1013531	Spring, Brake Return	1
2	101900801	Hanger, Brake Cable	2
3	101953101	Rod, Equalizer, 8.91"	1
4	101990801	Equalizer Bracket	1
5	102022101	Brake Cable Kit (includes items 6 through 9)	2
6	1010829	Pin, Clevis, 5/16 X 3/4	1
7	1011779	E-Clip, 1/2	2
8	N/A	Cable, Brake, 41"	1
9	1035	Cotter Pin, 3/32 x 1	1
10	1241	Washer, 5/16 Type A Flat	5
11	1242	Nut, 5/16-18 Hex	1
12	7473	Locknut, 5/16-18 Nylon Insert	5

4
G
E

4
G
E



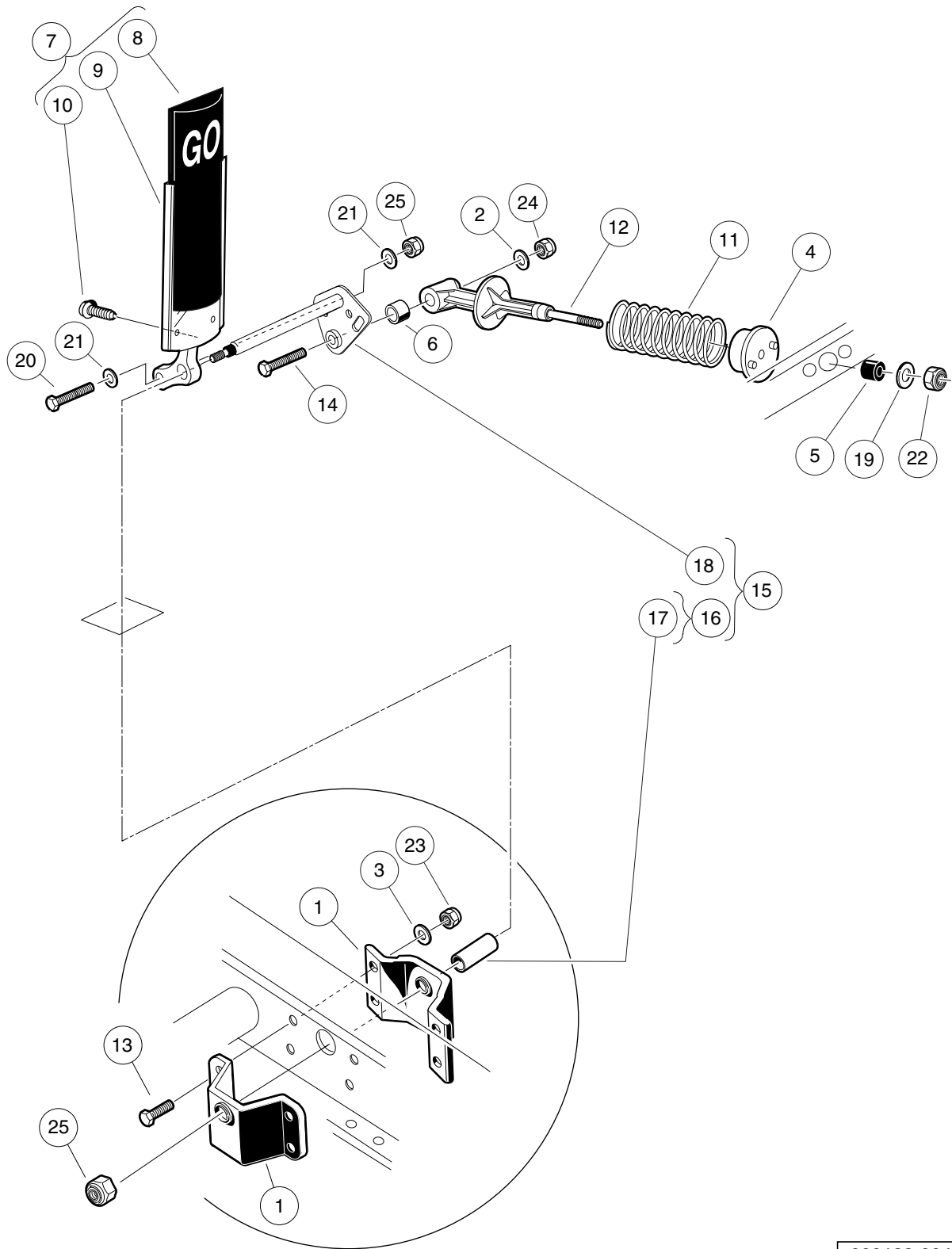
000188-003

ACCELERATOR PEDAL ASSEMBLY – GASOLINE VEHICLE

ITEM	PART NO.	DESCRIPTION	QTY
		1 2 3 4	
1	1011694	Accelerator Bracket and Bearing Assembly	2
2	1011931	Washer, 1/4 Flat	1
3	1014007	Washer, 1/4 Flat	4
4	1017378	Cup, Spring	1
5	1017380	Bumper, Spring Return	1
6	1017424	Bearing, Pivot Support	1
7	1017696	Sub Asm, Accelerator Pedal (includes items 8 through 10)	1
8	1013871	Pad, Accelerator Pedal	1
9	N/A	Accelerator Pedal Weldment	1
10	7716	Screw, #10-16 Type AB, Sheet Metal	4
11	101796201	Spring, Accelerator Return	1
12	101817401	Retainer, Spring	1
13	101818801	Stud, 1/4-28 X 1.35 Ball	1
14	101861901	Screw, 1/4-20 X 1.125 Hex Cap	4
15	102026001	Kit, Accelerator Pivot Rod Assembly (includes items 16 through 18)	1
16	1011700	Spacer Assembly (includes item 17)	1
17	101919801	Spacer, Accelerator	1
18	N/A	Pivot Rod Weldment	1
19	1241	Washer, 5/16 Type A Flat	1
20	1624	Screw, 3/8-16 X 1.50 Hex-Head Cap	1
21	334	Washer, 3/8 Type A Flat	2
22	7473	Locknut, 5/16-18 Nylon Insert	1
23	8233	Locknut, 1/4-20 Nylon Insert	4
24	8717	Locknut, 1/4-28 Nylon Insert	1
25	8754	Locknut, 3/8-16 Hex	2

4
G
E

4
G
E



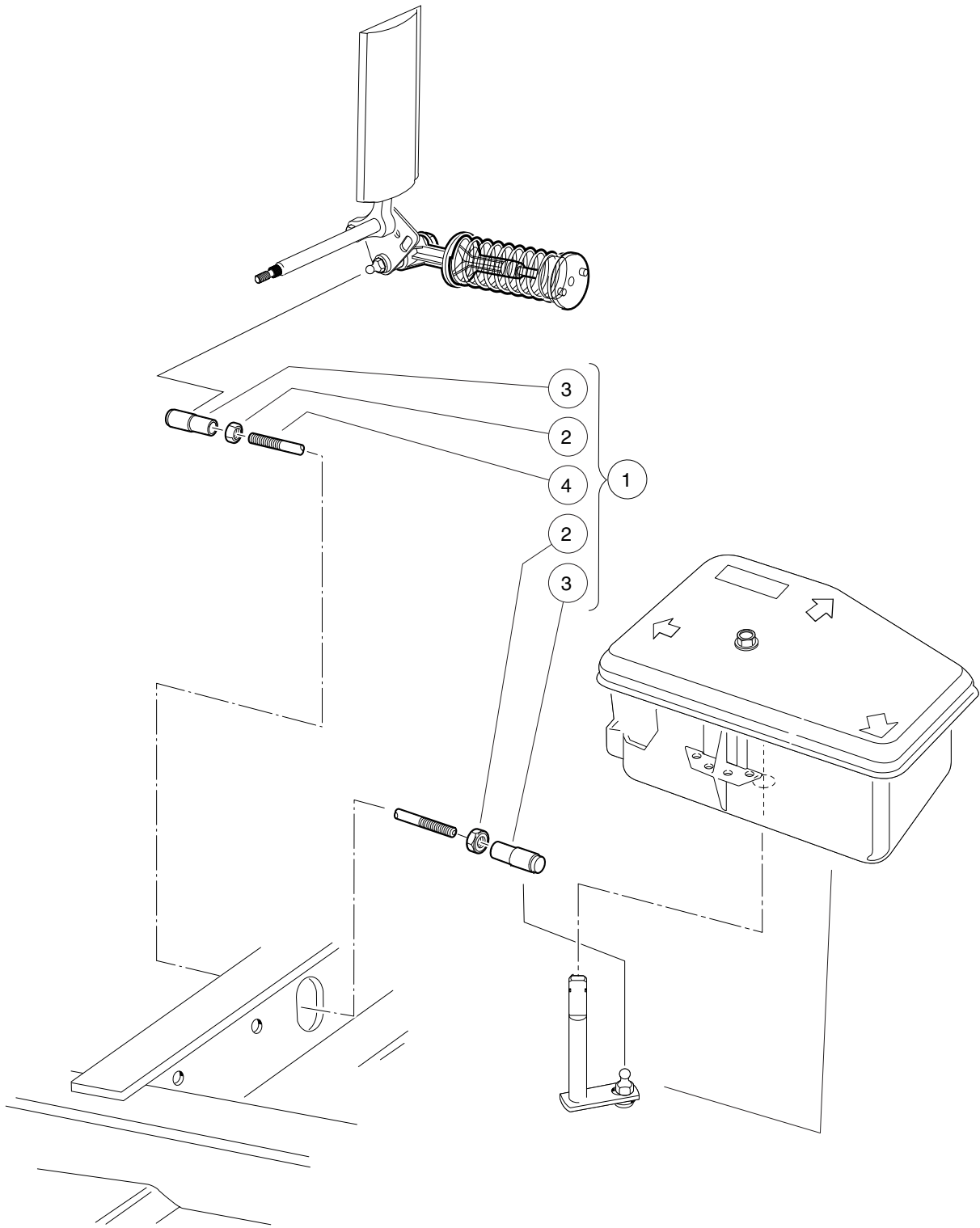
000188-004

ACCELERATOR PEDAL ASSEMBLY – ELECTRIC VEHICLES WITH MCOR

ITEM	PART NO.	DESCRIPTION	QTY
		1 2 3 4	
1	1011694	Accelerator Bracket and Bearing Assembly	2
2	1011931	Washer, 1/4 Flat	1
3	1014007	Washer, 1/4 Flat	4
4	1017378	Cup, Spring	1
5	1017380	Bumper, Spring Return	1
6	1017424	Bearing, Pivot Support	1
7	1017696	Sub Asm, Accelerator Pedal (includes items 8 through 10)	1
8	1013871	Pad, Accelerator Pedal	1
9	N/A	Accelerator Pedal Weldment	1
10	7716	Screw, #10-16 Type AB, Sheet Metal	4
11	101796201	Spring, Accelerator Return	1
12	101817401	Retainer, Spring	1
13	101861901	Screw, 1/4-20 X 1.125 Hex Cap	4
14	101862001	Screw, 1/4-20 X 1.500 Flange	1
15	102026001	Kit, Accelerator Pivot Rod Assembly (includes items 16 through 18)	1
16	1011700	Spacer Assembly (includes item 17)	1
17	101919801	Spacer, Accelerator	1
18	N/A	Pivot Rod Weldment	1
19	1241	Washer, 5/16 Type A Flat	1
20	1624	Screw, 3/8-16 X 1.50 Hex-Head Cap	1
21	334	Washer, 3/8 Type A Flat	2
22	7473	Locknut, 5/16-18 Nylon Insert	1
23	8233	Locknut, 1/4-20 Nylon Insert	4
24	8717	Locknut, 1/4-28 Nylon Insert	1
25	8754	Locknut, 3/8-16 Hex	2

4
G
E

4
G
E



000362-001

ACCELERATOR ROD – GASOLINE VEHICLES

ITEM	PART NO.	DESCRIPTION	QTY
		1 2 3 4	
1	101912401	Rod, Accelerator (includes items 2 through 4)	1
2	1011084	Nut, 1/4-28 Hex Jam	2
3	1011734	Joint, Ball	2
4	N/A	Accelerator Rod	1

4

G

E

4

G

E

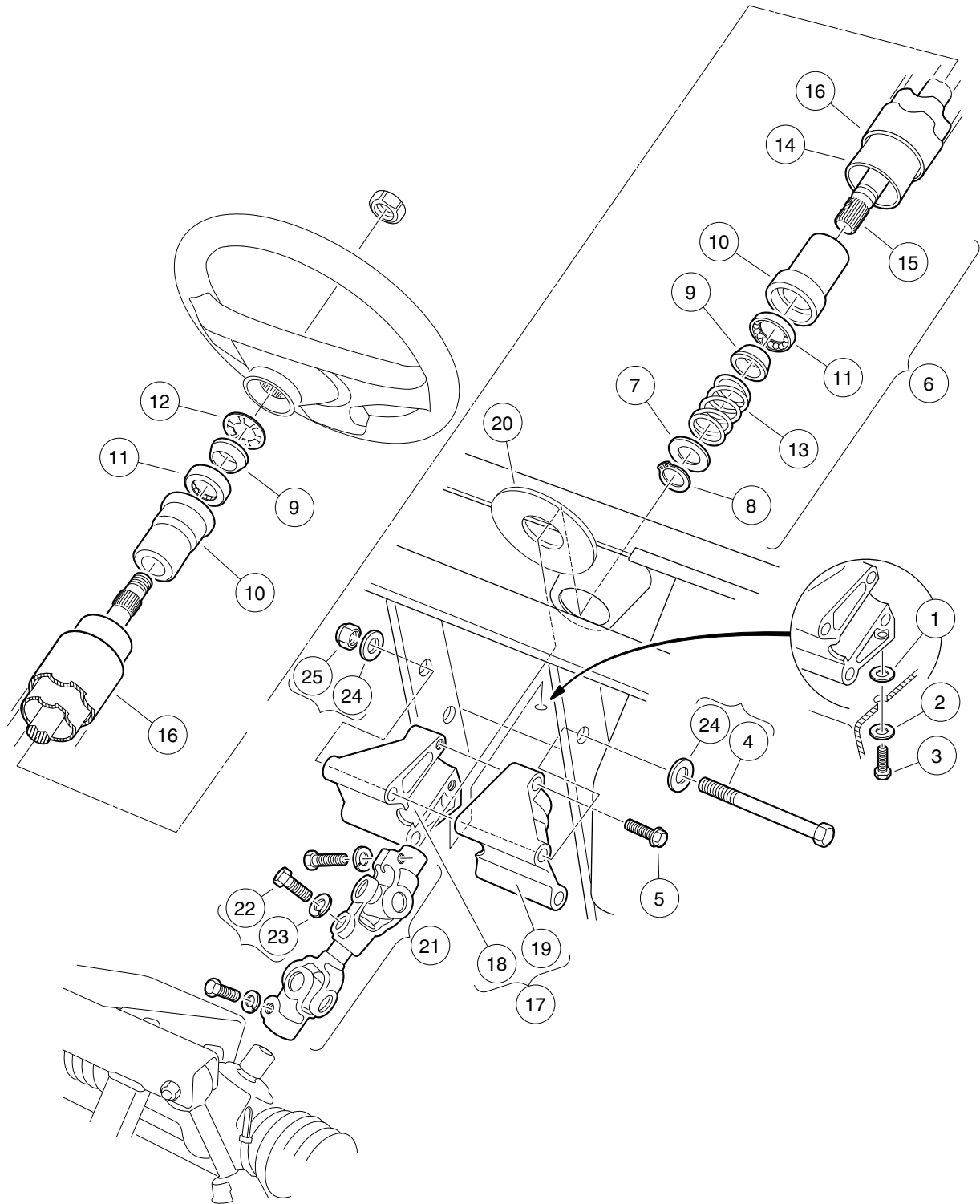
STEERING, FRONT AND REAR SUSPENSION

5

G

E

5
G
E



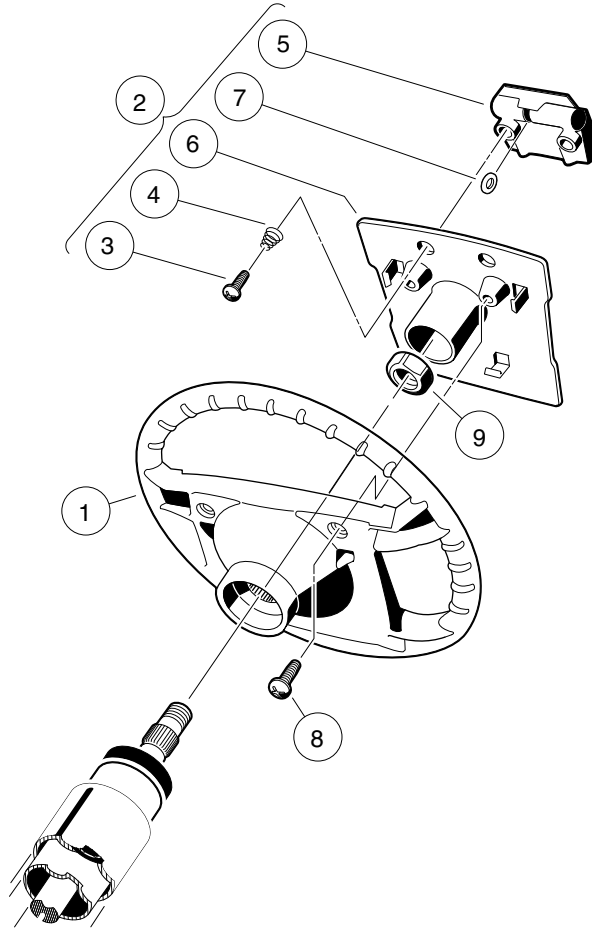
000247-001

STEERING COLUMN

ITEM	PART NO.	DESCRIPTION	QTY
		1 2 3 4	
1	1011578	Washer, 5/16 Type B Flat	1
2	1011697	Washer, 5/16 Flat	1
3	1014288	Screw, 5/16-18 X 0.75 Thread-Forming	1
4	1016183	Screw, 3/8-16 X 7.00 Hex Cap	2
5	1016269	Screw, 5/16-18 Thrd Forming	2
6	1017313	Steering Shaft Assembly (includes items 7 through 15)	1
7	1012604	Washer, 0.675 ID X 1.19 OD	1
8	1012605	Ring, 0.579 Internal Retaining	1
9	1014125	Wedge, Molded	2
10	1014126	Seat, Plastic Bearing	2
11	1014213	Bearing, Ball	2
12	1014214	Ring, Retaining	1
13	1014217	Spring, Steering Shaft	1
14	1017314	Column, Aluminum Steering	1
15	1017315	Shaft Steering Column	1
16	1017317	Tube Cover, Steering Column	1
17	101984801	Kit, Steering Column Mounting Bracket (includes items 18 and 19)	1
18	N/A	Bracket, RH Steering Column Mount	1
19	N/A	Bracket, LH Steering column mount	1
20	102278001	Boot, Steering Column Round	1
21	103601601	Shaft, Intermediate Steering (includes items 22 and 23)	1
22	1017226	Bolt, Hex-Head, 8mm X 1.25 - 30	3
23	7174	Lockwasher, 5/16 Split	3
24	334	Washer, 3/8 Type A Flat	4
25	8754	Locknut, 3/8-16 Hex	2

5
G
E

5
G
E

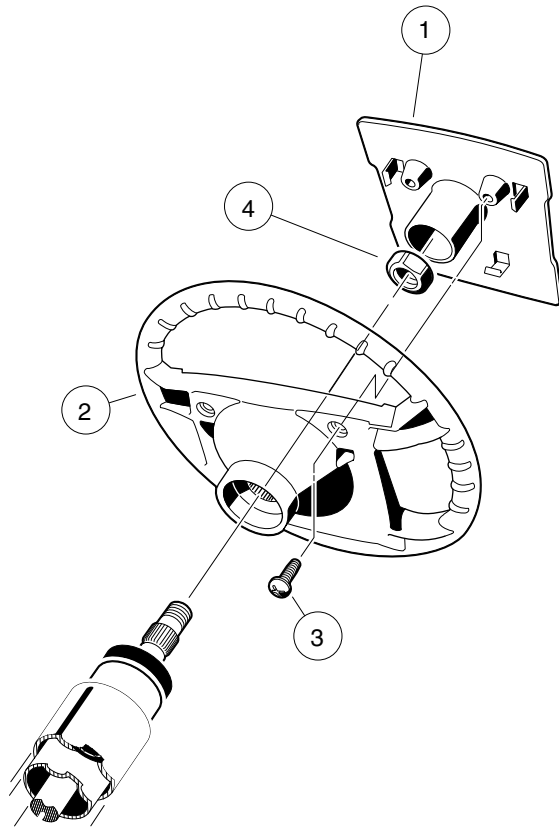


000246-002

STEERING WHEEL – TURF 1

ITEM	PART NO.	DESCRIPTION	QTY
		1 2 3 4	
1	1016156	Wheel, Steering	1
2	1016219	Plate, Scorecard (includes items 3 through 7)	1
3	1012565	Screw, #12 Phillips Round Head	2
4	1012566	Tapered Compression Spring	2
5	1016154	Clip, Scorecard	1
6	N/A	Plate, Score Card	1
7	N/A	Pencil Grip	1
8	1016663	Screw, #12-14 X 0.625	2
9	1017273	Nut, 5/8-18 Nylon Insert Jam	1

5
G
E



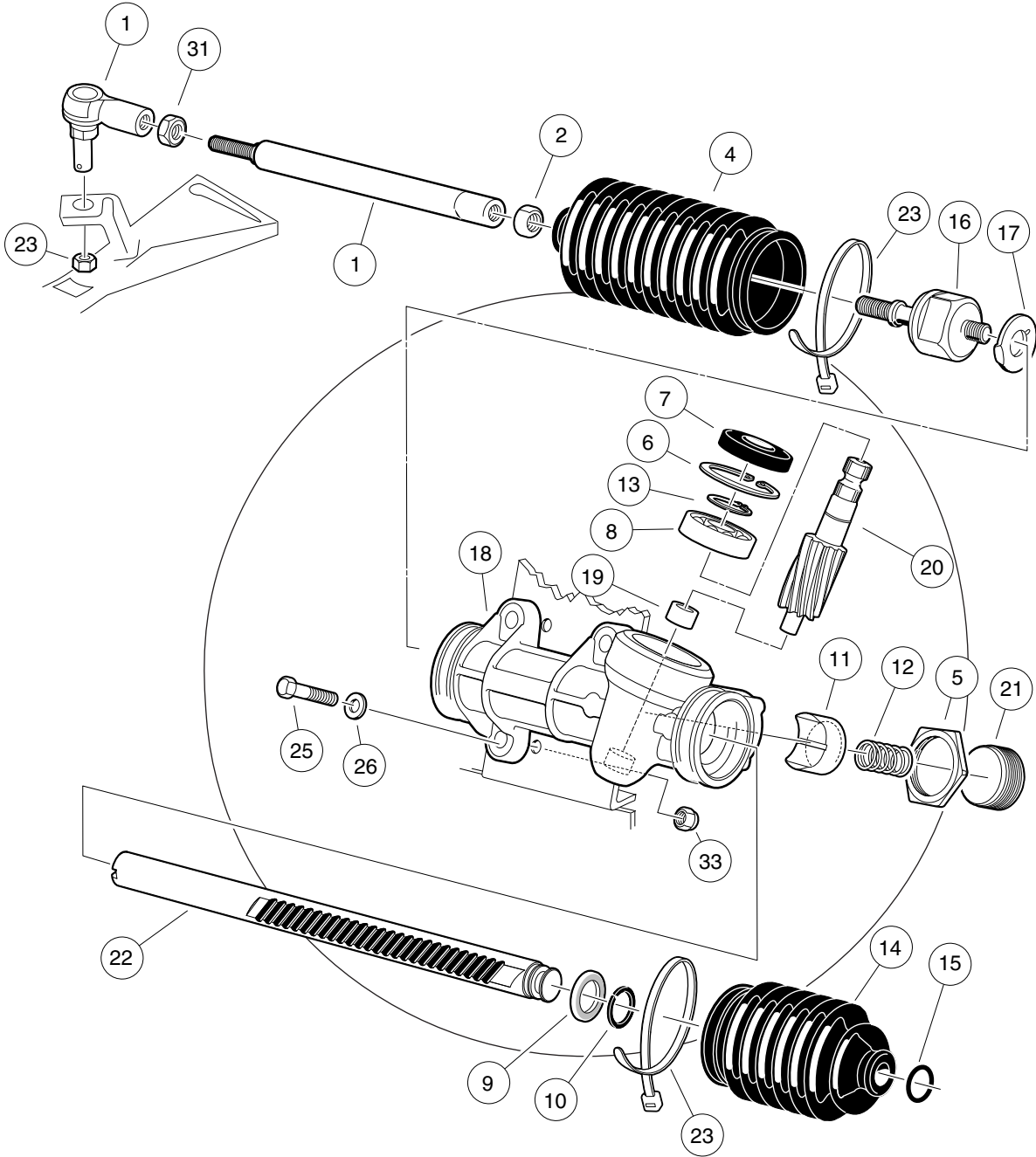
000246-003

STEERING WHEEL – CARRYALL 1

ITEM	PART NO.	DESCRIPTION	QTY
		1 2 3 4	
1	101615504	Plate, Scorecard	1
2	1016156	Wheel, Steering	1
3	1016663	Screw, #12-14 X 0.625	2
4	1017273	Nut, 5/8-18 Nylon Insert Jam	1

5
G
E

5
G
E

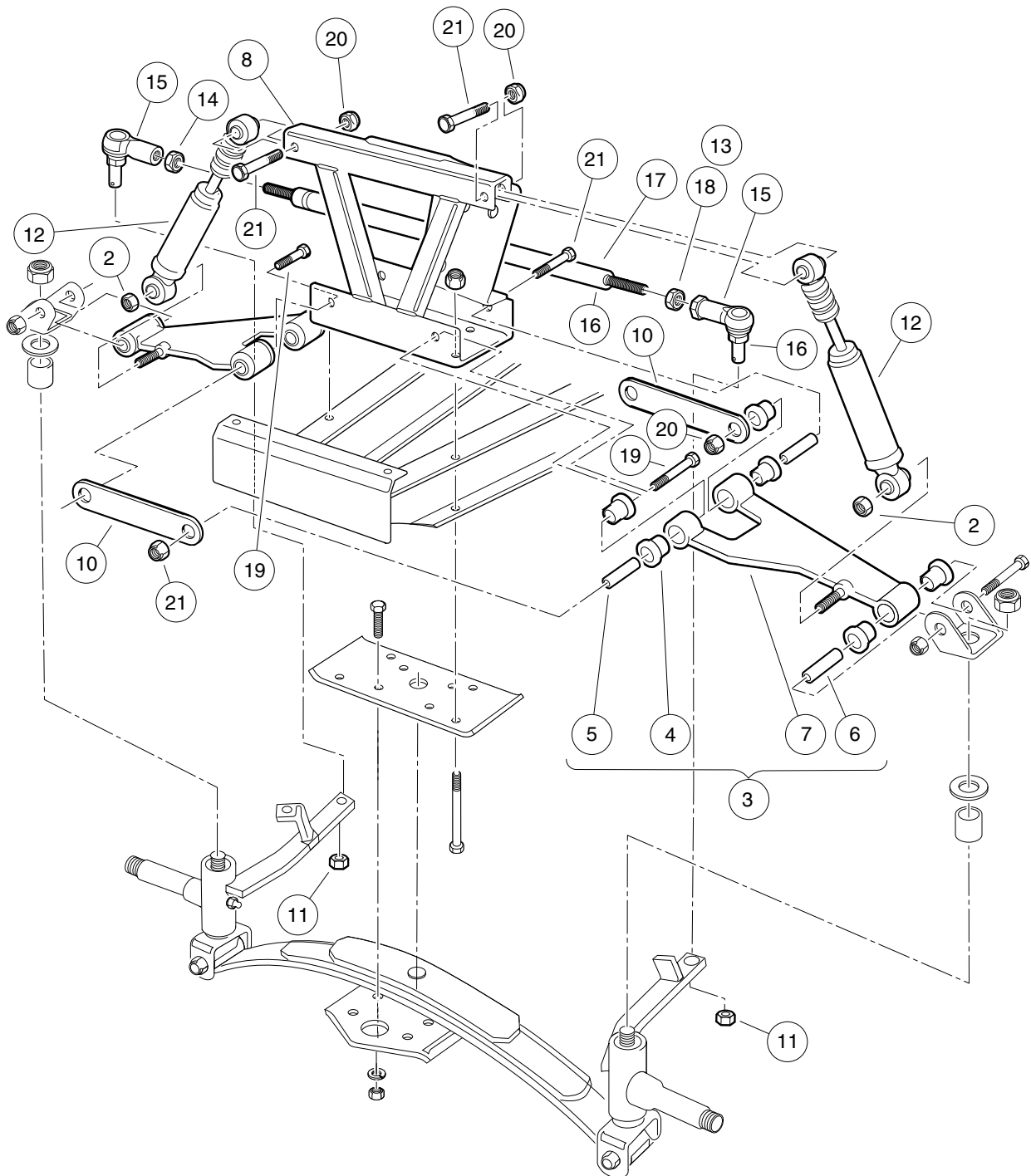


000189-001

STEERING GEAR ASSEMBLY

ITEM	PART NO.	DESCRIPTION	QTY	5
		1 2 3 4		G
1	1012467	Link, Rack and Pinion Drag	1	E
2	1013042	Nut, 12mm Hex	1	
3	101878302	Steering Gear Assembly (without yoke) (includes items 4 through 23)	1	
4	1013035	Bellows, Long	1	
5	1013044	Rack Screw Locknut	1	
6	1013051	Snap Ring	1	
7	1013052	Seal, Steering Pinion Dust	1	
8	101879401	Bearing, Ball	1	
9	101879501	Stop Washer	1	
10	101879601	Stop Ring, C-Type	1	
11	101879701	Support Yoke	1	
12	101879801	Rack Guide Pressure Spring	1	
13	101879901	Ring, Stop, C-Type	1	
14	101880001	Bellows, Short	1	
15	101880101	Dust Seal Retaining Ring	1	
16	101880201	Inner Ball Joint Asm	1	
17	101880301	Washer, Tab	1	
18	N/A	Box, Steering Gear	1	
19	N/A	Bearing, Lower Pinion	1	
20	N/A	Pinion, Steering	1	
21	N/A	Screw, Rack Guide	1	
22	N/A	Rack, Steering	1	
23	8990	Tie Wrap, 8" Nylon	2	
24	1035	Cotter Pin, 3/32 x 1	1	
25	1624	Screw, 3/8-16 X 1.50 Hex-Head Cap	3	
26	334	Washer, 3/8 Type A Flat	3	
27	7540	Ball Joint, Left (includes items 28 through 31)	1	
28	1011895	Socket, LH Vertical	1	
29	1011930	Seal, Vertical Socket Dust	1	
30	1015597	Fitting, 1/4-28 Thread-Forming Grease	1	
31	7602	Nut, 3/8-24 UNF Hex	1	
32	7555	Nut, 1/2-20 Hex, Left-Hand Thread	1	
33	8754	Locknut, 3/8-16 Hex	3	

5
G
E



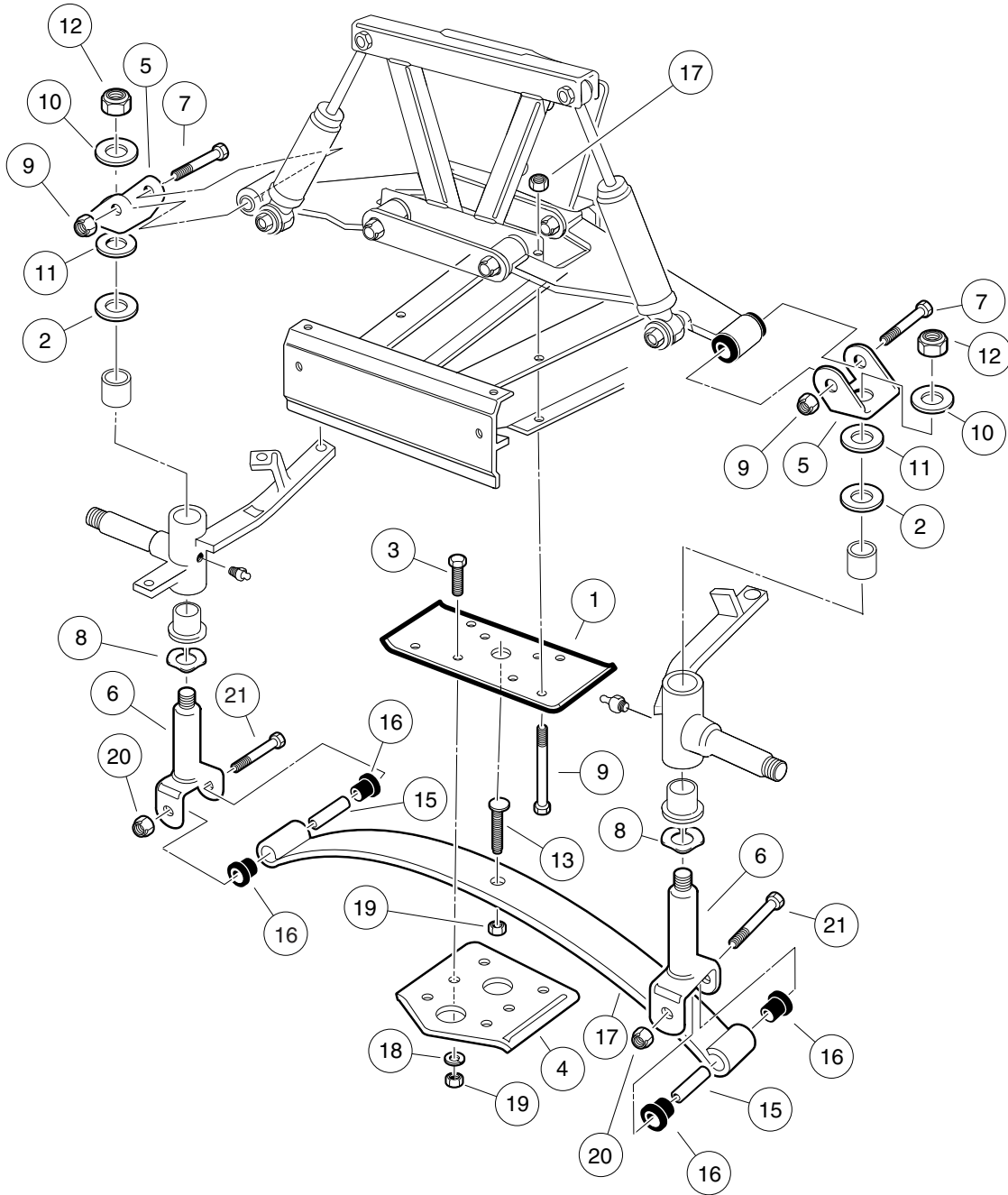
000312-002

FRONT SUSPENSION, UPPER

ITEM	PART NO.	DESCRIPTION	QTY
		1 2 3 4	
1	N/A	Sub, Fr Susp. -1 Lf-2wb Golf (includes items 2 through 21)	1
2	1010138	Locknut, 3/8-16 Dimpled	2
3	1016353	Sub-Assembly, Delta A-Plate (includes items 4 through 7)	2
4	1016346	Bushing, Urethane	6
5	1016349	Sleeve, Delta Inner	2
6	1016350	Sleeve, Delta Outer	1
7	1016351	Delta A-Plate	1
8	1016385	Delta Shock and Gear Support Assembly	1
9	1016387	Screw, 3/8-16 X 2.75 Hx Hd Cap	2
10	1017266	A-Plate Strap	2
11	102289201	Nut - Hex Locking, M12 X 1.25	3
12	103351001	Shock Absorber, Front, Common	2
13	N/A	Asm, Tie Rod (includes items 14 through 18)	1
14	1013042	Nut, 12mm Hex	1
15	102022601	End, Tie Rod M12 X 1.25 Rh	1
16	102022602	End, Tie Rod, M12 X 1.25, Lh	1
17	103354701	Rod, Tie, Male Thd	1
18	103653501	Nut, Jam, M12-1.25, Lh	1
19	2402	Screw, 3/8-16 X 2.25 Hx Hd Cap	4
20	8754	Locknut, 3/8-16 Hex	13
21	8861	Bolt, 3/8-16 X 1.75 Hex	2

5
G
E

5
G
E



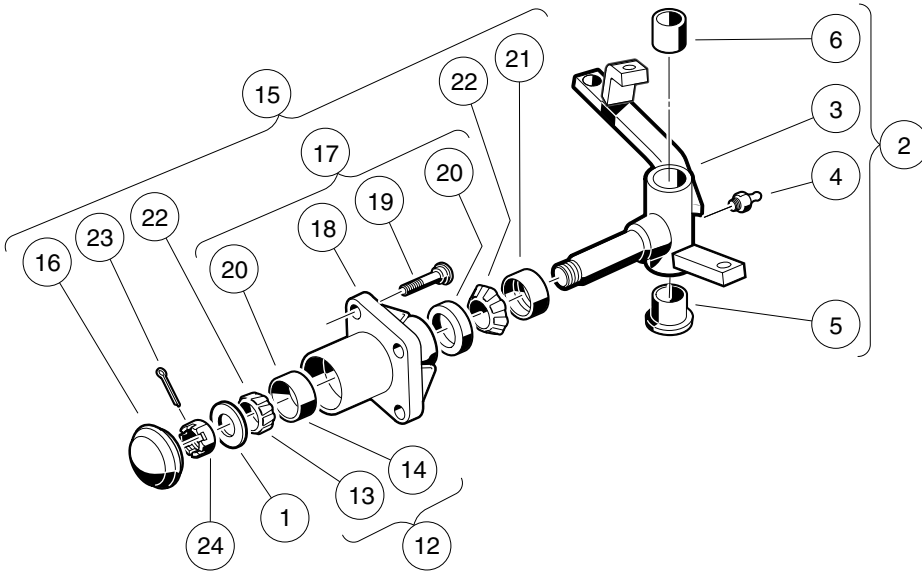
000311-001

FRONT SUSPENSION, LOWER

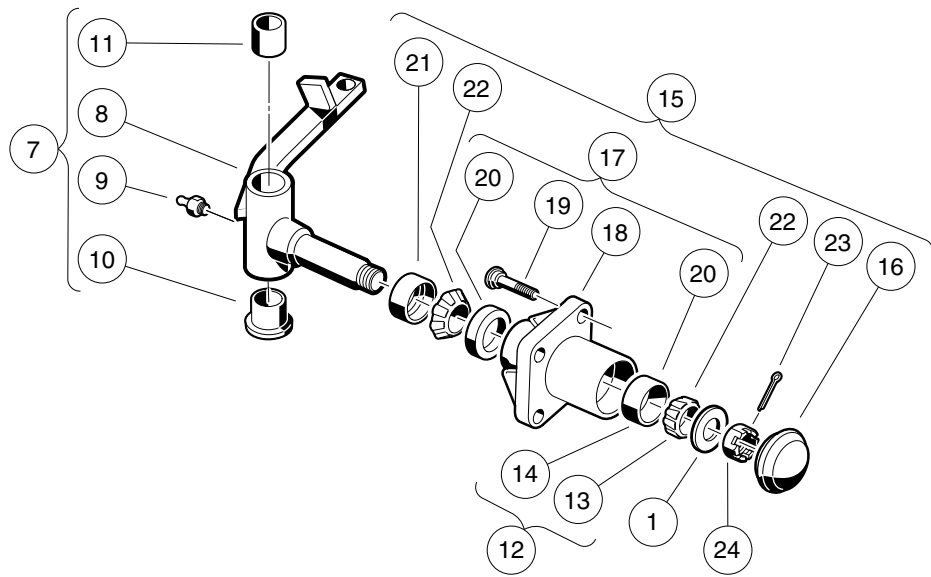
ITEM	PART NO.	DESCRIPTION	QTY
		1 2 3 4	
1	1010124	Plate, Spring Mount	1
2	1010150	Bearing, Thrust	2
3	1010177	Bolt, 3/8-16 X 2.00 Hex Head	4
4	1014276	Plate, Front Spring Retainer	1
5	1016384	Clevis, Delta Upper	2
6	1016386	King Pin Assembly	2
7	1016387	Screw, 3/8-16 X 2.75 Hx Hd Cap	2
8	1016389	Washer, 1.125 Od Wave	2
9	101870501	Screw, 3/8-16 X 4.75 Hx Hd Cap	4
10	102564002	Washer-1/2 Conical, Yellow	2
11	102684501	Washer, M12 Hard Regular	2
12	102766301	Nut, 1/2-20, Center Lock	2
13	103507001	Eccentric Bolt Common	1
14	N/A	Spring Asm, Front, 1 Leaf (includes items 15 through 17)	1
15	1012303	Bushing, Steel	2
16	1015583	Bushing, Urethane	4
17	N/A	Spring, Front, 1 Leaf	1
18	357	Lockwasher, 3/8 Split	4
19	706	Nut, Hex 3/8-16	1
20	8754	Locknut, 3/8-16 Hex	4
21	8755	Screw, 3/8-16 X 3.375 Hex Cap	2

5
G
E

PASSENGER SIDE



DRIVER SIDE

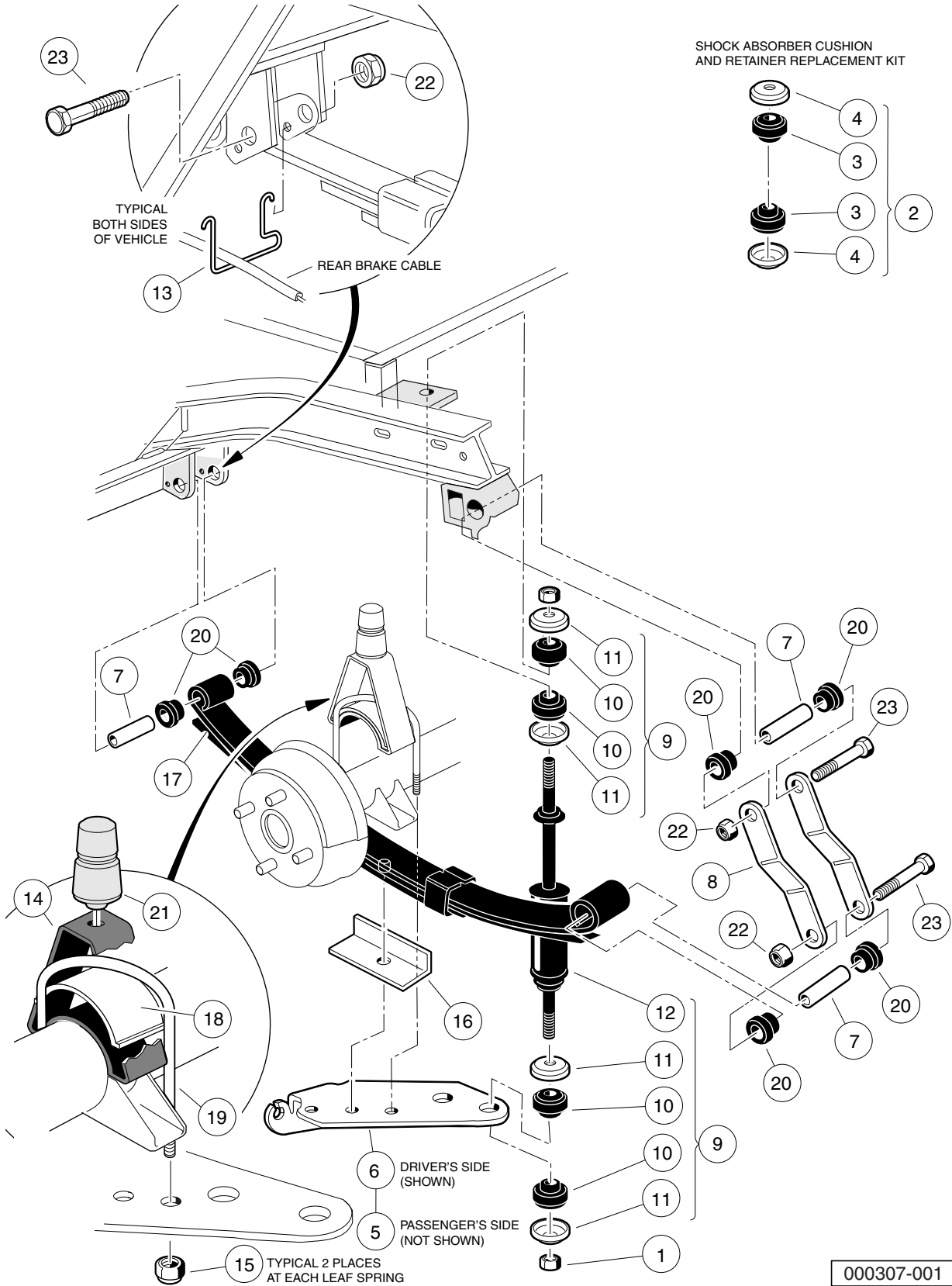


000310-001

FRONT SPINDLES AND HUBS – VEHICLES WITH TWO-WHEEL BRAKES

ITEM	PART NO.	DESCRIPTION	QTY
		1 2 3 4	
1	1010005	Washer, 3/4 Flat	2
2	1010347	Spindle Assembly, Right	1
3	1010348	Spindle Assembly, Left (includes items 4 through 7)	1
4	1010342	Spindle Sub-Assembly, Left-Hand	1
5	1015597	Fitting, 1/4-28 Thread-Forming Grease	1
6	7048	Bushing, Flanged Bronze	1
7	8067	Bushing, Bronze Spindle	1
8	1011393	Hub Bearing Package (includes items 9 and 10)	4
9	7274	Bearing, Front Hub Wheel	1
10	7308	Race, Front Hub Bearing	1
11	1011892	Hub Assembly (includes items 12 through 19)	2
12	1011887	Dust Cover	1
13	1011889	Hub (includes items 14 through 16)	1
14	1011153	Front Hub	1
15	103477901	Lug Stud, 1/2-20 Unf, 4037	4
16	7308	Race, Front Hub Bearing	2
17	1013135	Seal, Double Lip	1
18	7274	Bearing, Front Hub Wheel	2
19	7910	Pin, 5/32 X 1.00 Cotter	1
20	7840	Nut, 3/4-16 Hex Slotted	2

5
G
E

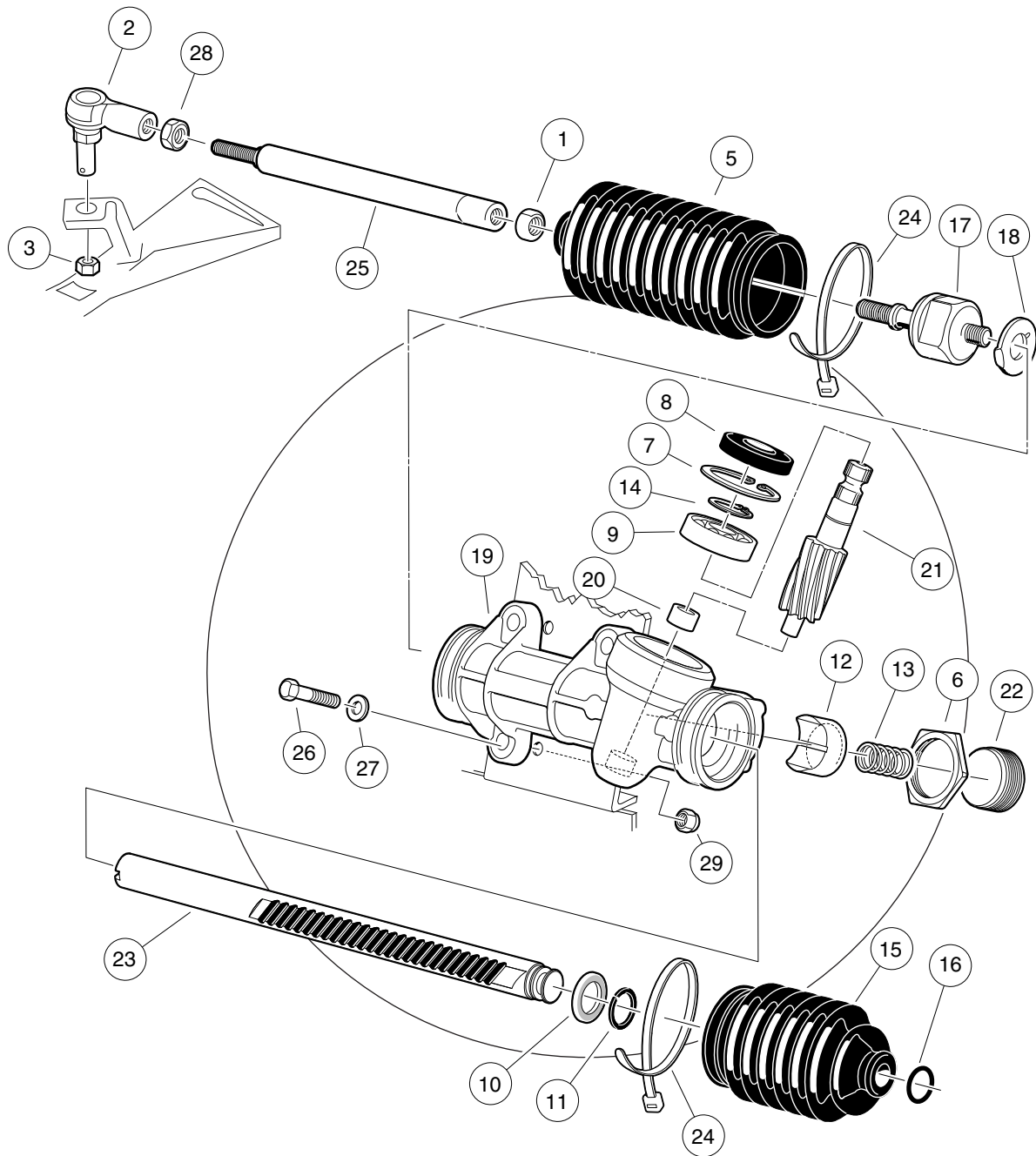


REAR SUSPENSION COMPONENTS – ELECTRIC VEHICLES

ITEM	PART NO.	DESCRIPTION	QTY
		1 2 3 4	
1	1010145	Nut, 3/8-24 Hex	4
2	1011415	Kit, Shock Absorber Cushion (includes items 3 and 4)	4
3	1010142	Cushion, Shock Absorber	2
4	1010144	Retainer, Shock Absorber Cushion	2
5	1012181	Bracket, Shock Mounting, Right (Passenger)	1
6	1012182	Bracket, Shock Mounting, Left (Driver)	1
7	1012303	Bushing, Steel	6
8	1012304	Shackle, Rear Spring	4
9	1013164	Shock Absorber Kit (includes items 10 through 12)	1
10	1010142	Cushion, Shock Absorber	8
11	1010144	Retainer, Shock Absorber Cushion	8
12	102588501	Shock Absorber Rear Prv Spd	2
13	1013207	Hanger, Brake Cable	2
14	101454902	Bumper Mount, Angled	2
15	1014555	Locknut, 7/16-14 Nylon Hex	4
16	1014573	Spring Retainer	2
17	1014675	Rear Leaf Spring	2
18	1014901	Spacer, Overload Bumper	2
19	1014902	U-Bolt	2
20	1015583	Bushing, Urethane	12
21	1017235	Bumper, Jounce	2
22	8754	Locknut, 3/8-16 Hex	6
23	8755	Screw, 3/8-16 X 3.375 Hex Cap	6
<p>Note: Only the driver-side rear suspension is shown. Parts for the passenger-side rear suspension are identical except for the leaf spring/shock mounting plate.</p>			

5
G
E

5
G
E



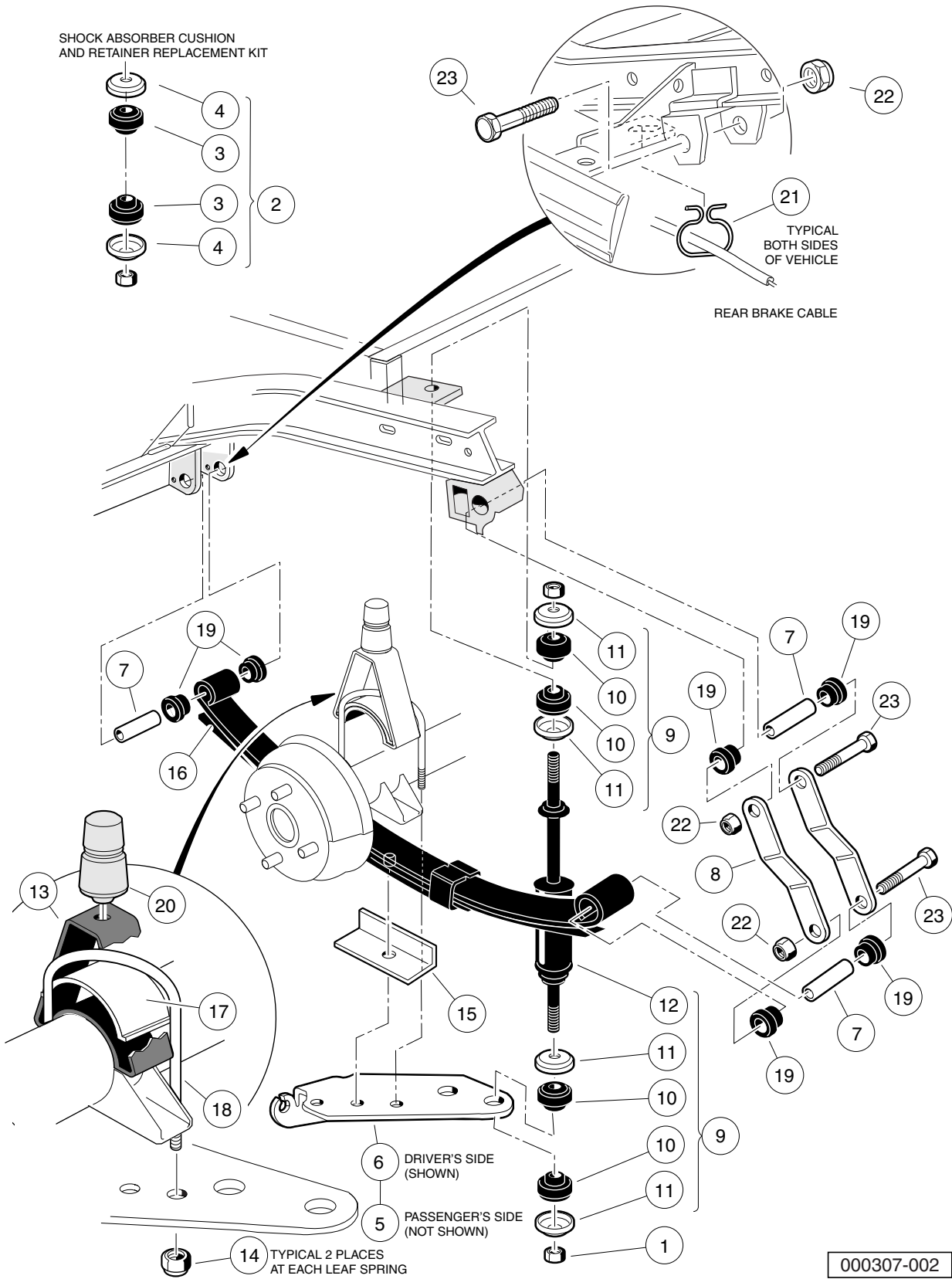
000960-001

STEERING GEAR ASSEMBLY

ITEM	PART NO.	DESCRIPTION	QTY
		1 2 3 4	
1	1013042	Nut, 12mm Hex	1
2	102022602	End, Tie Rod, M12 X 1.25, Lh	1
3	102289201	Nut - Hex Locking, M12 X 1.25	3
4	103601501	Asm, Steering Rack And Pinion (includes items 5 through 24)	1
5	1013035	Bellows, Long	1
6	1013044	Rack Screw Locknut	1
7	1013051	Snap Ring	1
8	1013052	Seal, Steering Pinion Dust	1
9	101879401	Bearing, Ball	1
10	101879501	Stop Washer	1
11	101879601	Stop Ring, C-Type	1
12	101879701	Support Yoke	1
13	101879801	Rack Guide Pressure Spring	1
14	101879901	Ring, Stop, C-Type	1
15	101880001	Bellows, Short	1
16	101880101	Dust Seal Retaining Ring	1
17	101880201	Inner Ball Joint Asm	1
18	101880301	Washer, Tab	1
19	N/A	Box, Steering Gear	1
20	N/A	Bearing, Lower Pinion	1
21	N/A	Pinion, Steering	1
22	N/A	Screw, Rack Guide	1
23	N/A	Rack, Steering	1
24	8990	Tie Wrap, 8" Nylon	2
25	103653401	Link, Drag, Male Thd	1
26	1624	Screw, 3/8-16 X 1.50 Hex-Head Cap	3
27	334	Washer, 3/8 Type A Flat	3
28	7555	Nut, 1/2-20 Hex, Left-Hand Thread	1
29	8754	Locknut, 3/8-16 Hex	3

5
G
E

5
G
E



REAR SUSPENSION COMPONENTS – GASOLINE VEHICLES

ITEM	PART NO.	DESCRIPTION	QTY
		1 2 3 4	
1	1010145	Nut, 3/8-24 Hex	4
2	1011415	Kit, Shock Absorber Cushion (includes items 3 and 4)	4
3	1010142	Cushion, Shock Absorber	2
4	1010144	Retainer, Shock Absorber Cushion	2
5	1012181	Bracket, Shock Mounting, Right (Passenger)	1
6	1012182	Bracket, Shock Mounting, Left (Driver)	1
7	1012303	Bushing, Steel	6
8	1012304	Shackle, Rear Spring	4
9	1013164	Shock Absorber Kit (includes items 10 through 12)	1
10	1010142	Cushion, Shock Absorber	8
11	1010144	Retainer, Shock Absorber Cushion	8
12	102588501	Shock Absorber Rear Prv Spd	2
13	101454602	Bumper Mount	2
14	1014555	Locknut, 7/16-14 Nylon Hex	4
15	1014573	Spring Retainer	2
16	1014675	Rear Leaf Spring	2
17	1014901	Spacer, Overload Bumper	2
18	1014902	U-Bolt	2
19	1015583	Bushing, Urethane	12
20	1017235	Bumper, Jounce	2
21	101900801	Hanger, Brake Cable	2
22	8754	Locknut, 3/8-16 Hex	6
23	8755	Screw, 3/8-16 X 3.375 Hex Cap	6
		Note: Only the driver-side rear suspension is shown. Parts for the passenger-side rear suspension are identical except for the leaf spring/shock mounting plate.	

5
G
E

5

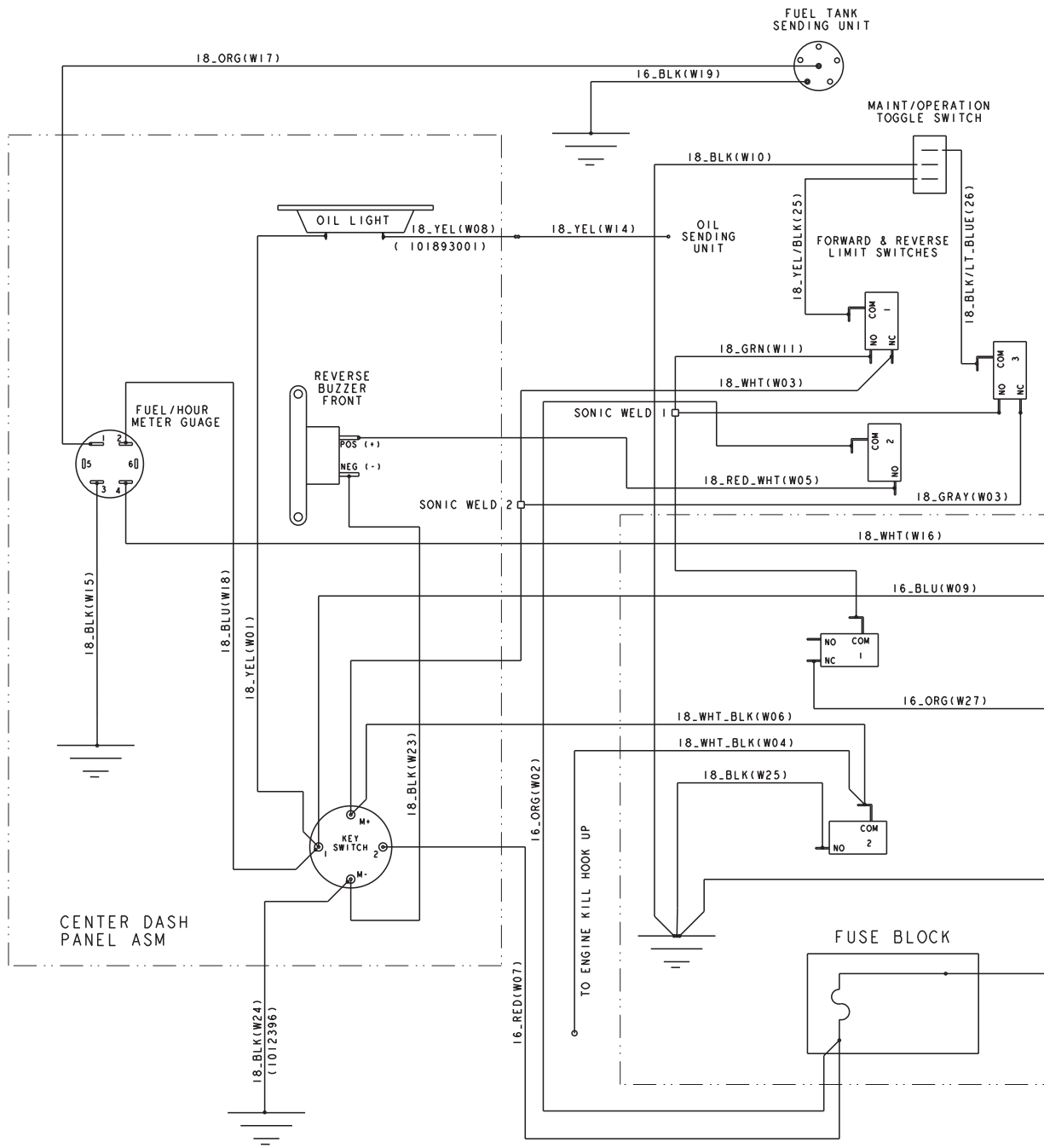
G

E

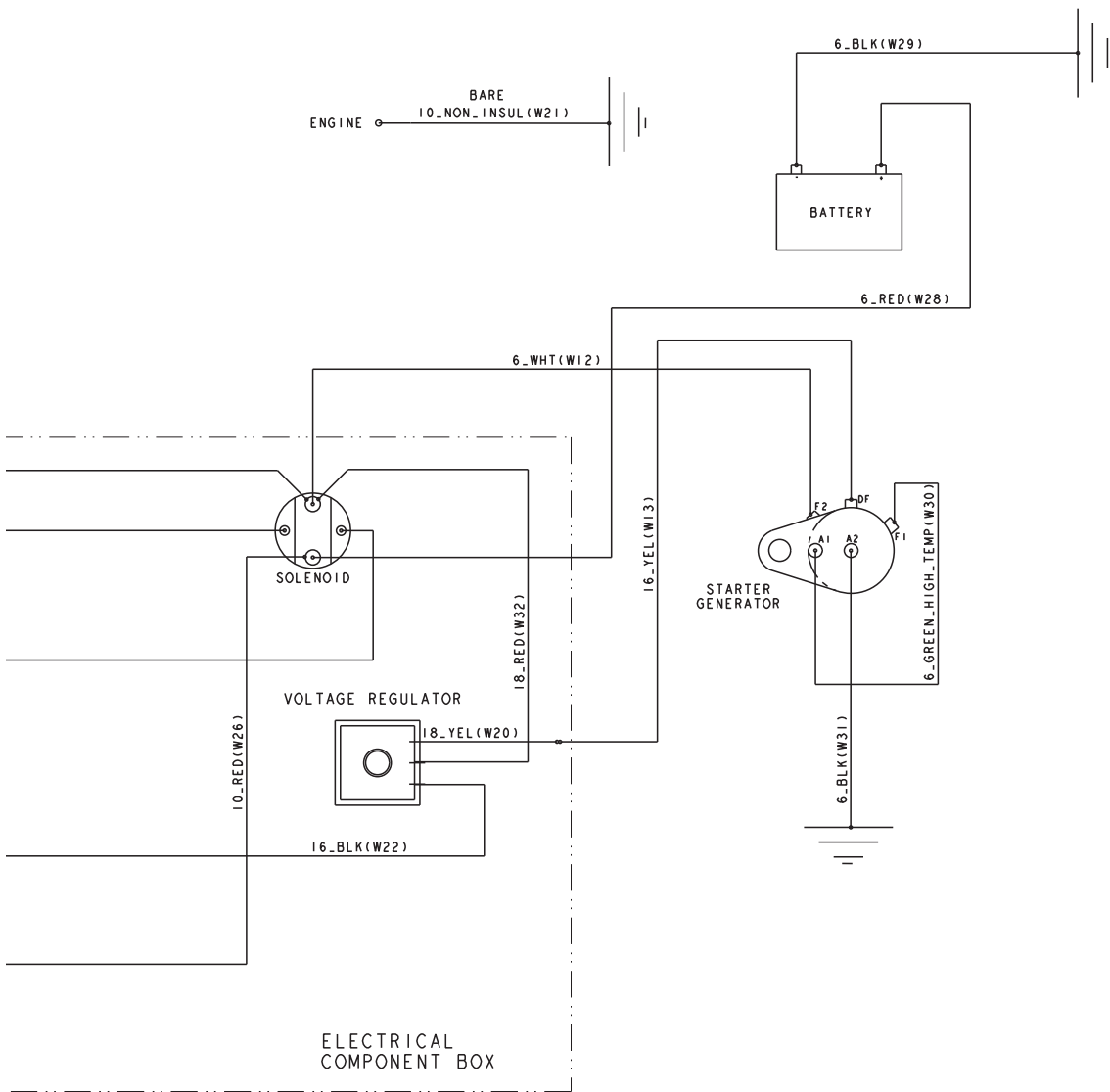
ELECTRICAL SYSTEM – GASOLINE VEHICLE

6

G



000604-001



000604-001

6

G

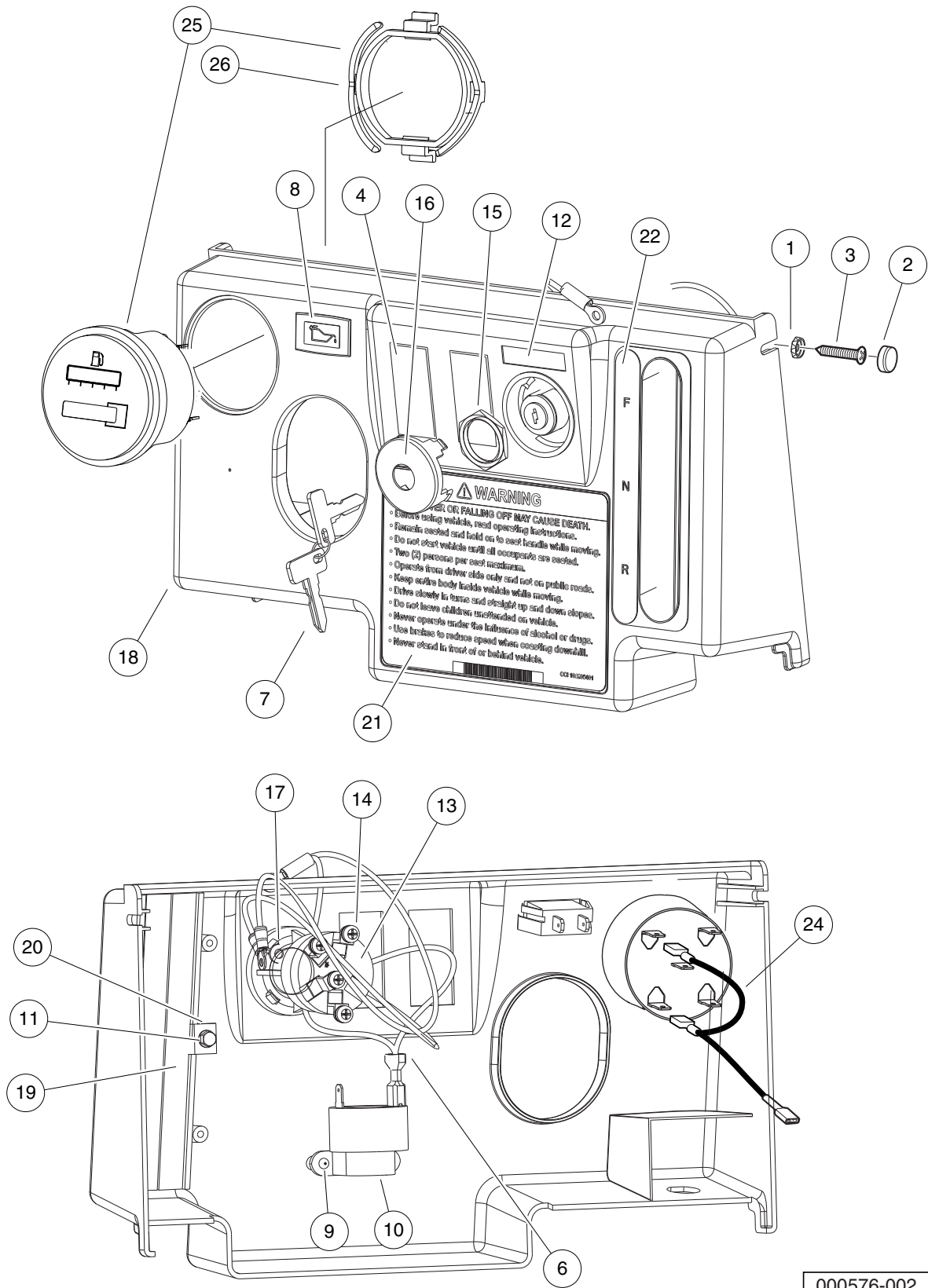
See previous two pages for illustration.

WIRING

ITEM	PART NO.	DESCRIPTION	QTY
1	103197001	1 2 3 4 Asm, Wire Harness, CA 1, Gas	1

6

G



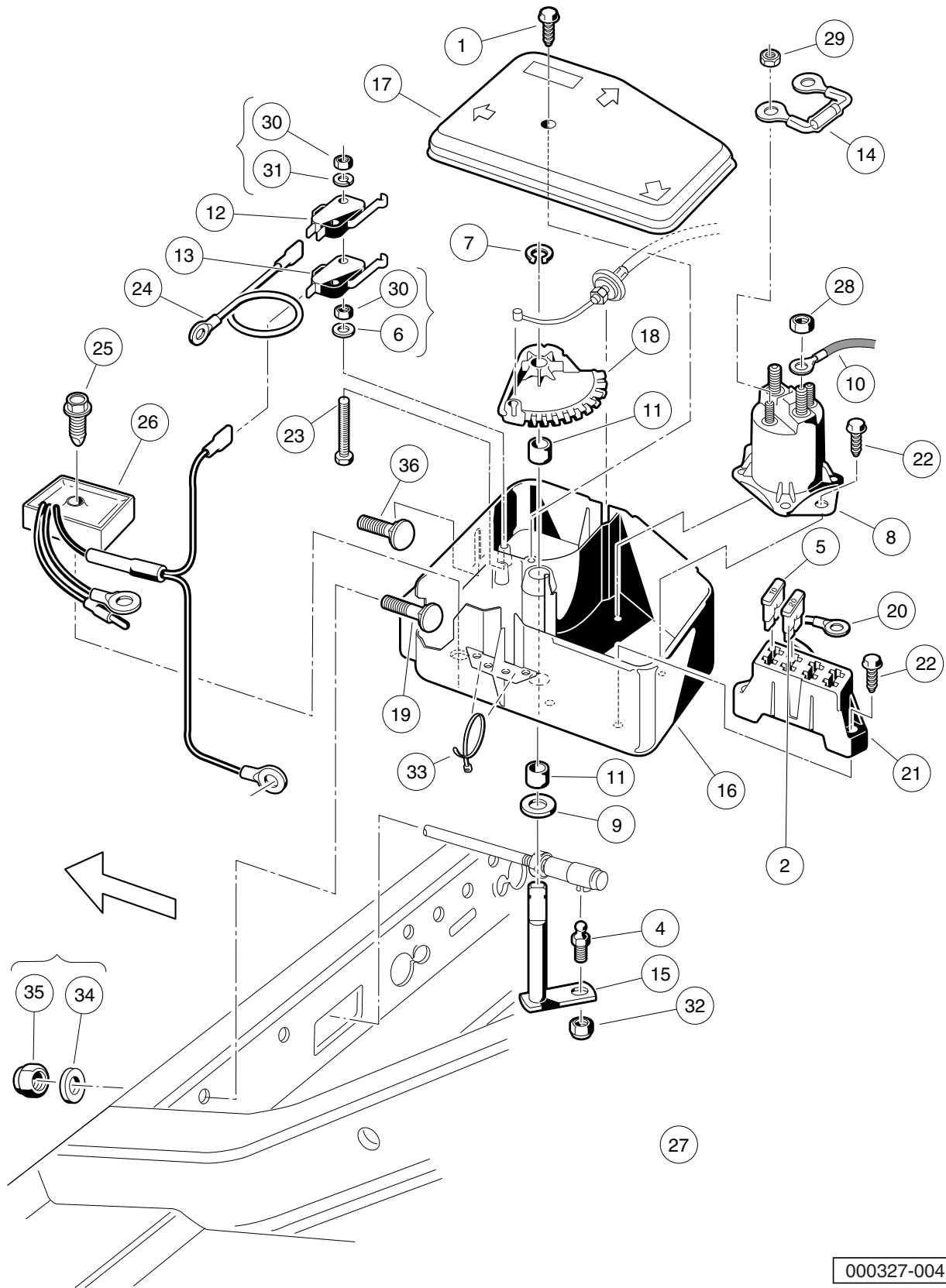
000576-002

INSTRUMENT PANEL AND ELECTRICAL COMPONENTS

ITEM	PART NO.	DESCRIPTION	QTY
		1 2 3 4	
1	1011382	Washer, #10 Pan-Head Screw	2
2	1013494	Cover, Screw Head	2
3	1015528	Screw, #10 x 1-1/4 Phillips Head	2
4	103180101	Cover, Hole, Switch, Rocker	2
5	N/A	Asm, Dash, Gas, Pedal-Start (Instrument Panel) (includes items 6 through 23)	1
6	1012396	Wire Assy #18 Black	1
7	1012505	Keys (set of 2)	1
8	1016630	Light, Oil	1
9	1016849	Screw, #4-24 X 0.33 Pan-Head Machine	2
10	1016851	Buzzer, Reverse (9-48 VDC)	1
11	101804301	Screw, #8 X 0.500, Hex-Head Hi-Lo	2
12	101825101	Decal, Off/On	1
13	101826301	Key Switch, 12-Volt, Off/On	1
14	101830601	Screw and Washer Assembly	4
15	101830701	Nut, Key Switch	1
16	101834502	Cap, Black Key Switch	1
17	101851101	Washer, Key Switch	1
18	102977001	Panel, Dash, Center, Gas (Instrument Panel)	1
19	103199001	Brush, Closeout, FNR	2
20	103199101	Washer, Retaining, Brush, FNR	2
21	103205401	Decal, Warning, Rollover, Utl	1
22	103210201	Decal, Forward/Reverse, Gas	1
23	103390801	Kit, F-h Replmnt Utl Pre2007 (includes items 24 through 27)	1
24	103348501	Asm Wire Meter F-h Jumper	1
25	103348601	Gauge, Fuel-hour,sep Gnd,utl (includes item 26)	1
26	103348201	Clip, Meter, Round	1
27	N/A	Instr, F-h Replmnt Pre2007	1

6
G

6
G



000327-004

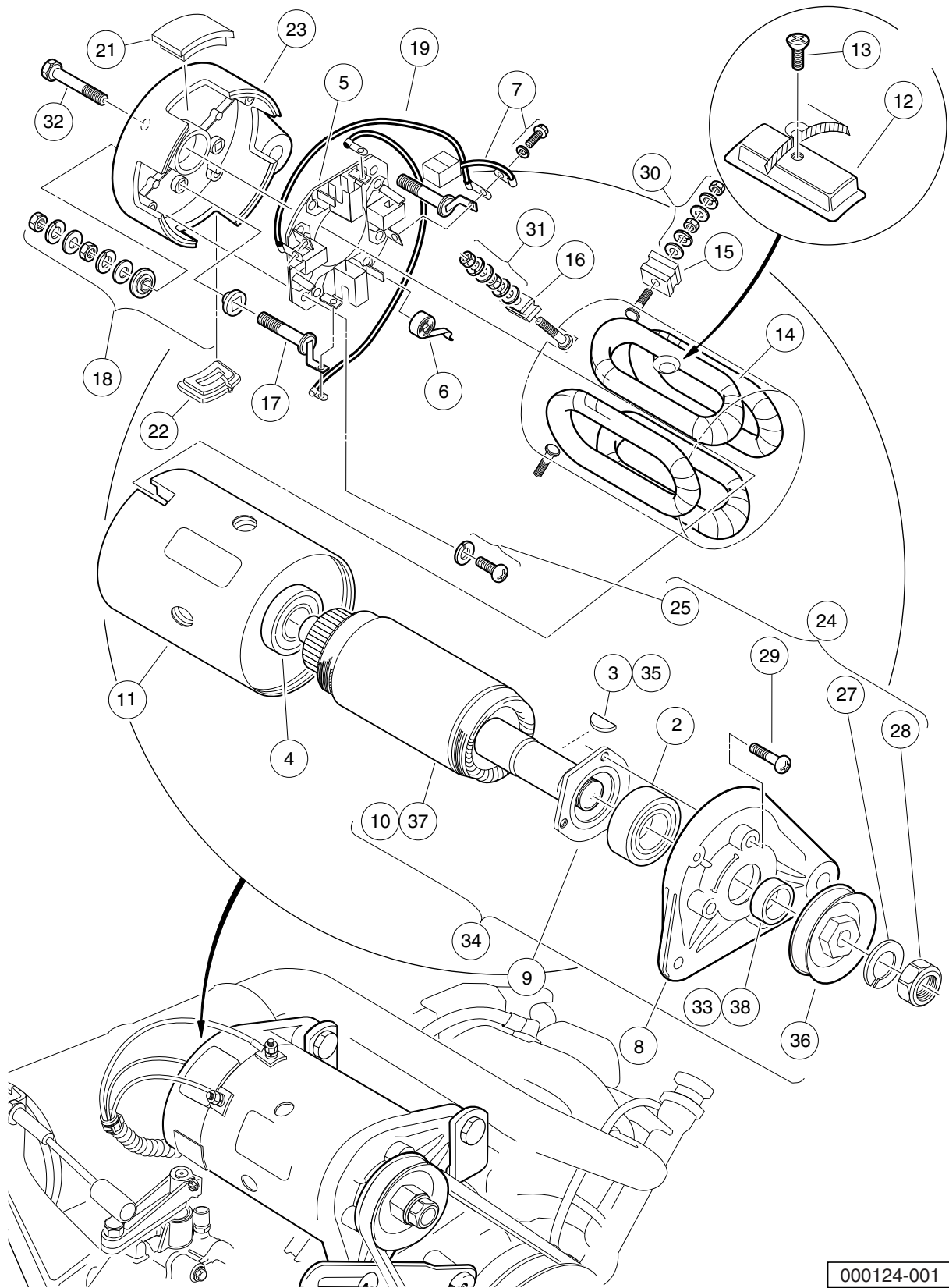
ELECTRICAL COMPONENT BOX

ITEM	PART NO.	DESCRIPTION	QTY
		1 2 3 4	
1	1015752	Screw, #12-16 X 0.625 Hi-Lo	1
2	1016423	Fuse, 20-Amp	1
3	N/A	Asm, Electrical Component Box (includes items 4 through 33)	1
4	1010954	Stud, 1/4-28 X 0.560 Ball	1
5	1012295	Fuse, 10-Amp	1
6	1012431	Washer, #4 Flat	2
7	1013589	Ring, 0.338" Internal Retaining	1
8	1013609	Solenoid, 12-Volt	1
9	1014065	Washer, 0.38" ID Delrin Flat	1
10	1014119	Wire Assembly #6 Red	1
11	1014145	Bushing, Secondary Weight, Split	2
12	1014807	Switch, Limit	1
13	1014808	Switch, Limit	1
14	1014948	Diode	1
15	1015345	Bell Crank and Shaft Assembly	1
16	1015371	Box, Electrical Component	1
17	1015372	Cover, Electric Box	1
18	1015373	Cam, Electric Box	1
19	1015405	Bolt, Carriage, 5/16-18 X 2.0	1
20	1015737	Wire Assy, #10 Red	1
21	1015741	Fuse Block	1
22	1015752	Screw, #12-16 X 0.625 Hi-Lo	4
23	1015878	Screw, #4-40 Hex Head Machine	2
24	1016401	Wire Assy, #16 Orange	1
25	101856102	Screw, 1/4-15 X 1.50 Hi-lo Hex	1
26	102711201	Voltage Regulator	1
27	103197001	Asm, Wire Harness, CA 1, Gas	1
28	1242	Nut, 5/16-18 Hex	2
29	7893	Nut, #10-32 Hex	2
30	8057	Nut, #4-40 Hex Machine	4
31	8058	Lockwasher, #4 Split	2
32	8717	Locknut, 1/4-28 Nylon Insert	1
33	8990	Tie Wrap, 8" Nylon	2
34	1241	Washer, 5/16 Type A Flat	2
35	7473	Locknut, 5/16-18 Nylon Insert	2
36	7818	Bolt, Carriage, 5/16-18 X 1.5	1

6

G

6
G



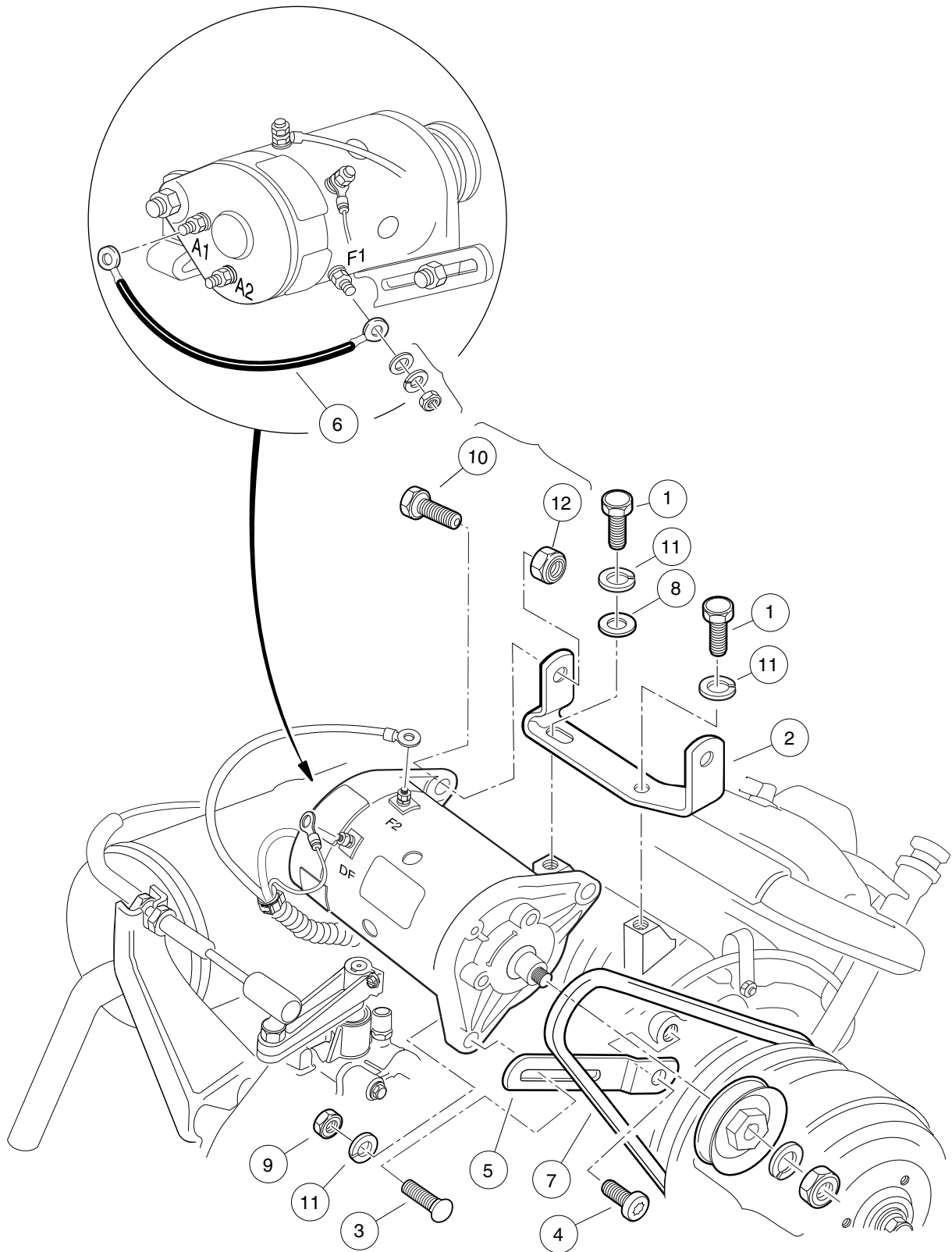
000124-001

STARTER/GENERATOR ASSEMBLY MODEL G425419 – GASOLINE VEHICLES

ITEM	PART NO.	DESCRIPTION	QTY
		1 2 3 4	
1	101833701	Starter/Generator (cw) (includes items 2 through 33)	1
2	1013001	Bearing, Output Shaft Ball	1
3	1013003	Key, Starter/Generator	1
4	1013005	Bearing, Ball	1
5	101301102	Brush Holder Assembly (cw) (includes item 6)	1
6	101878101	Brush Spring Set	4
7	101869302	Brush and Screw Set (cw)	1
8	101874901	Front Bracket	1
9	101875001	Retainer	1
10	101875101	Armature	1
11	101875201	Field Coil Housing	1
12	101875301	Pole Set	1
13	101875401	Screw Set	1
14	101875501	Field Stator Coil Assembly	1
15	101875601	F Insulator Set	2
16	101875701	DF Insulator	1
17	101875802	A Connector (cw)	1
18	101876001	Screw and Mold Assembly	2
19	101876202	Brush Connector Assembly (cw)	2
20	101876301	Cover Set (includes items 21 and 22)	1
21	1012991	Brush Inspection Port Cover	3
22	1017653	Brush Port Cover w/Drain	1
23	101876402	Rear Bracket (cw)	1
24	101876501	Nut and Screw Set (includes items 25 through 29)	1
25	101896501	Brush Holder Asm Screw	2
26	N/A	Washer, M5 Flat	1
27	N/A	Washer, M14 Lock	1
28	N/A	Nut, Hex, M14 x 2	1
29	N/A	Screw, M5 x 0.8 x 18mm	3
30	101877601	Nut and Washer Set	2
31	101877701	Nut and Washer Set	1
32	101879001	Through Bolt Set	2
33	101939901	Spacer	1
34	101875102	Armature Asm Conversion Kit (includes items 35 through 38)	1
35	1013003	Key, Starter/Generator	1
36	1014289	Pulley, Starter/Generator	1
37	101875101	Armature	1
38	101939901	Spacer	1
Note: Item 36 will ONLY fit Model G425419 Starter/Generator.			

6
G

6
G



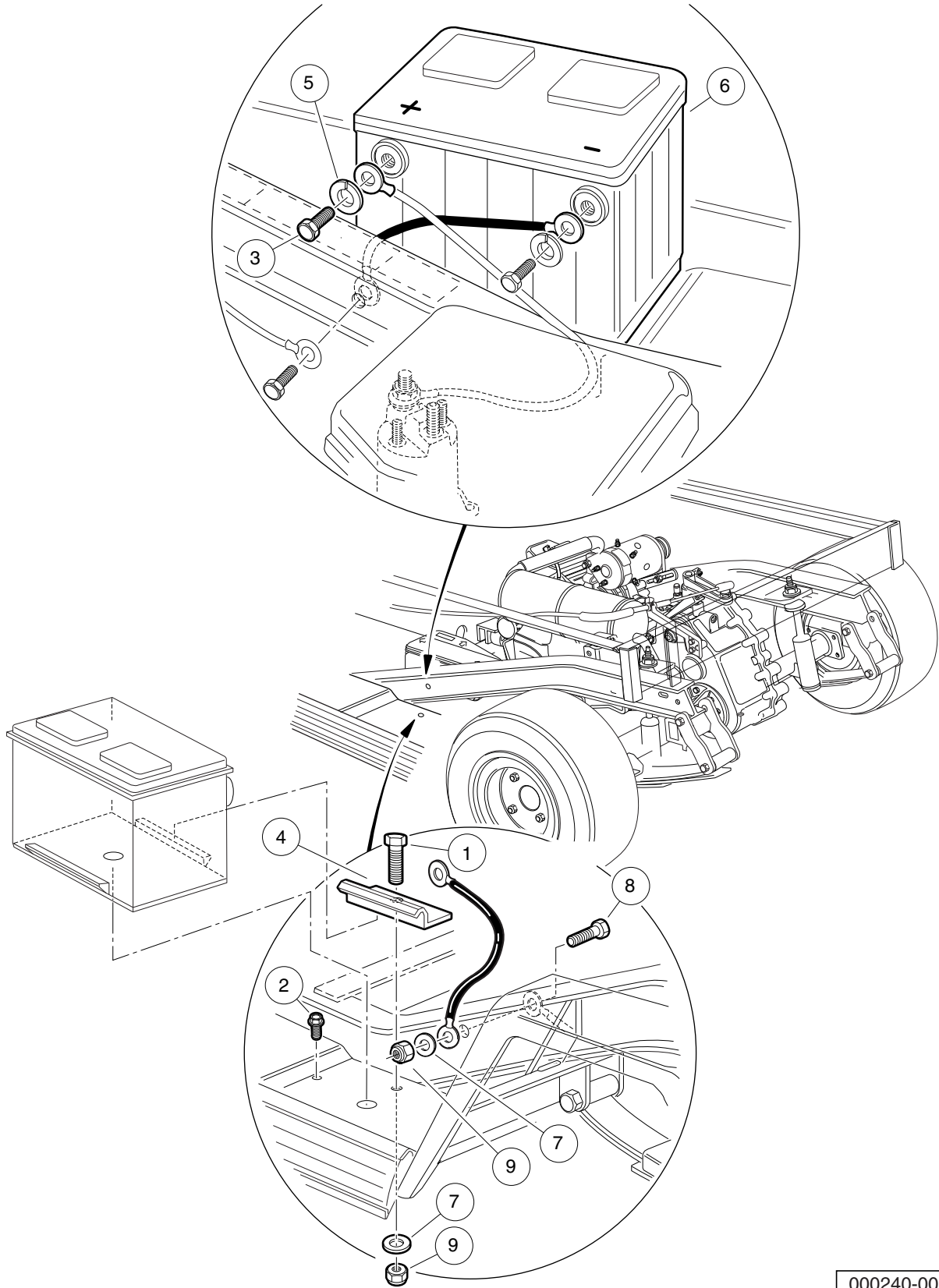
000239-001

FE350 STARTER/GENERATOR MOUNTING – GASOLINE VEHICLES

ITEM	PART NO.	DESCRIPTION	QTY
		1 2 3 4	
1	1012830	Screw, M8-125 X 22 Hex-Head	2
2	101524002	Bracket, Starter/Generator Mounting	1
3	1015932	Bolt, Carriage, 5/16-18	1
4	1016074	Screw, M8-1.25 X 18mm Torx	1
5	1016883	Bracket, Starter/Generator Adjustment	1
6	101837301	Wire Assy, #6 Green	1
7	101916701	V-Belt	1
8	1241	Washer, 5/16 Type A Flat	1
9	1242	Nut, 5/16-18 Hex	1
10	705	Screw, Cap-hex Hd 3/8-16x1.25	2
11	7174	Lockwasher, 5/16 Split	3
12	8754	Locknut, 3/8-16 Hex	2

6
G

6
G



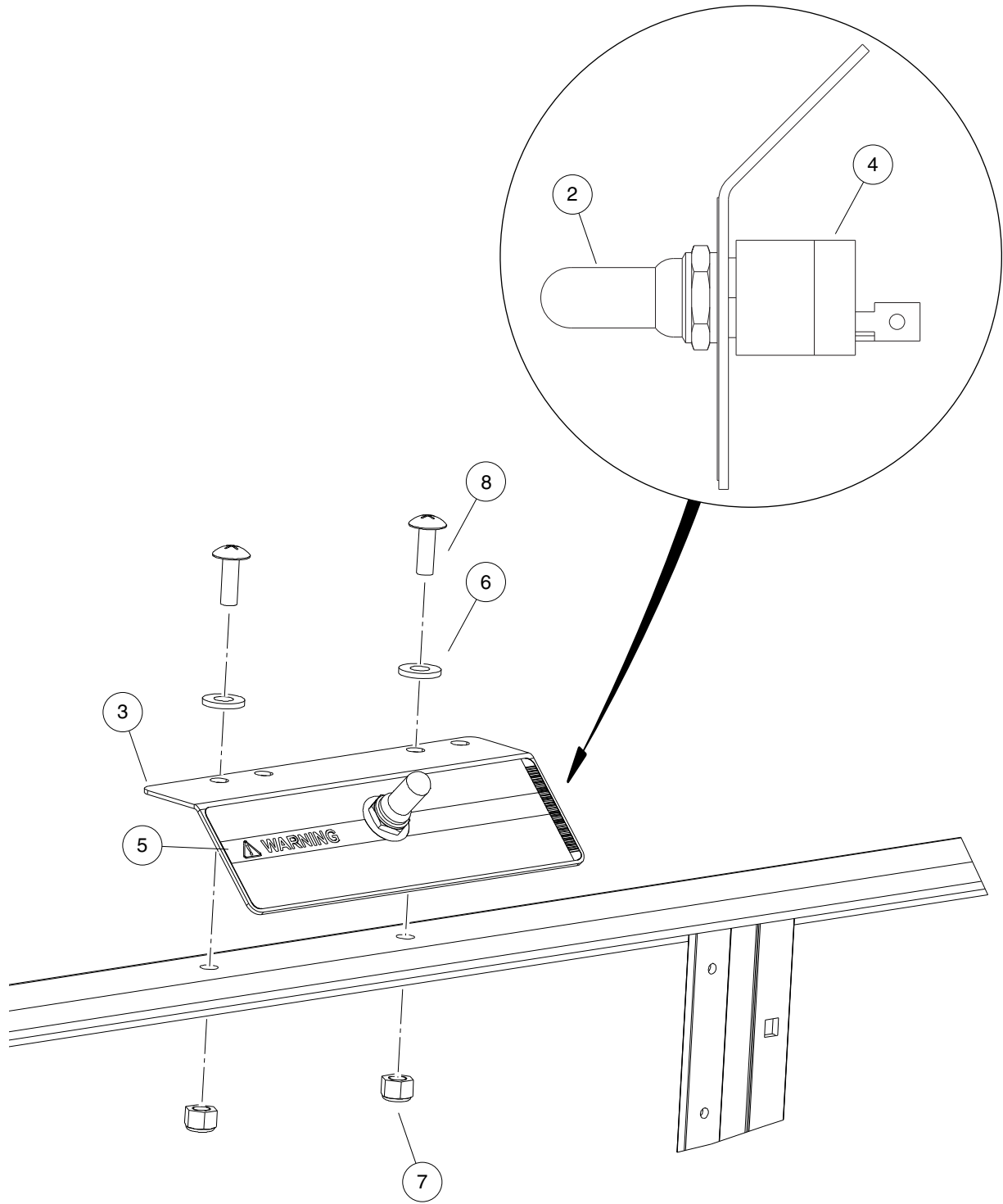
000240-001

BATTERY – GASOLINE VEHICLE

ITEM	PART NO.	DESCRIPTION	QTY
		1 2 3 4	
1	1010934	Screw, 5/16-18 X 1.00 Hex Cap	1
2	1014288	Screw, 5/16-18 X 0.75 Thread-Forming	1
3	1014375	Screw, 3/8-16 X 0.50 Stainless Steel Hex-Head	2
4	101898001	Clamp, Battery	1
5	102355301	Lockwasher, #10 Split Ss	2
6	N/A	Battery, Start, 12v	1
7	1241	Washer, 5/16 Type A Flat	2
8	7173	Screw, 5/16-18 X 0.75 Hex-Head Cap	1
9	7473	Locknut, 5/16-18 Nylon Insert	2

6
G

6
G



000755-001

OPERATION AND MAINTENANCE SWITCH

ITEM	PART NO.	DESCRIPTION	QTY
		1 2 3 4	
1	N/A	Switch, Operation/Maintenance (includes items 2 through 5)	1
2	101908401	Boot, Switch	1
3	101922501	Bracket, Tow/Run Switch Mounting	1
4	103198401	Switch, Toggle, SPDT	1
5	103205501	Decal, Run/Service Switch	1
6	332	Washer, 1/4 Type A Narrow Flat	2
7	8233	Locknut, 1/4-20 Nylon Insert	2
8	8248	Screw, 1/4-20 X 0.75 Truss-Head Machine	2

6
G

6

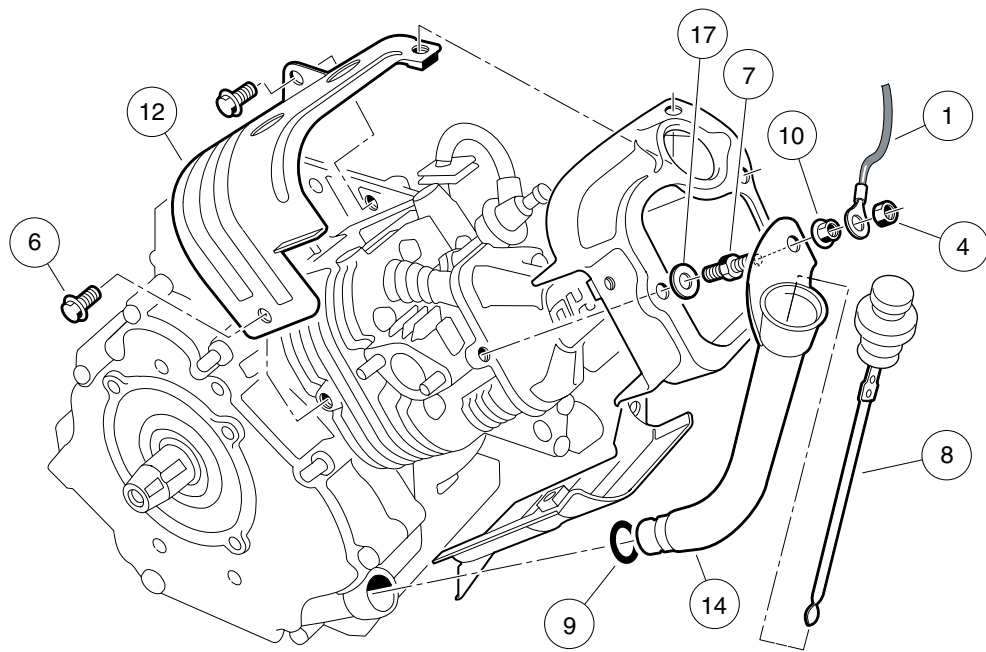
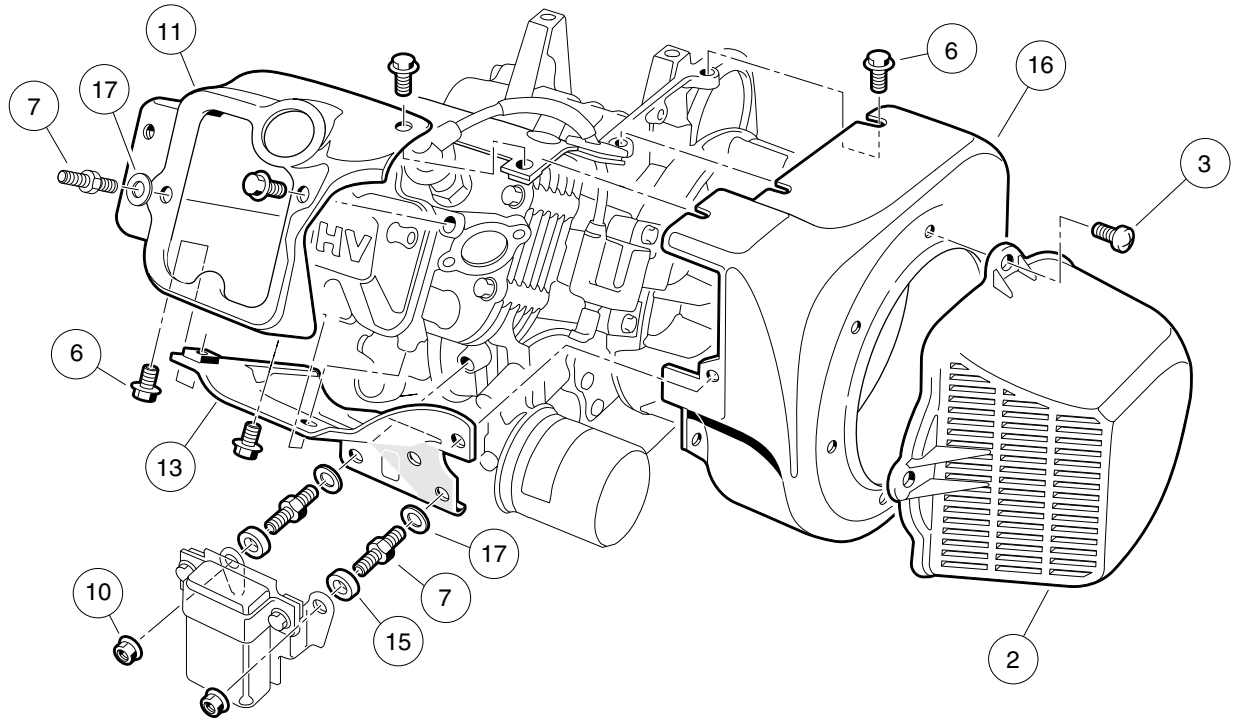
G

FE350 ENGINE WITHOUT ACR

7

G

7
G

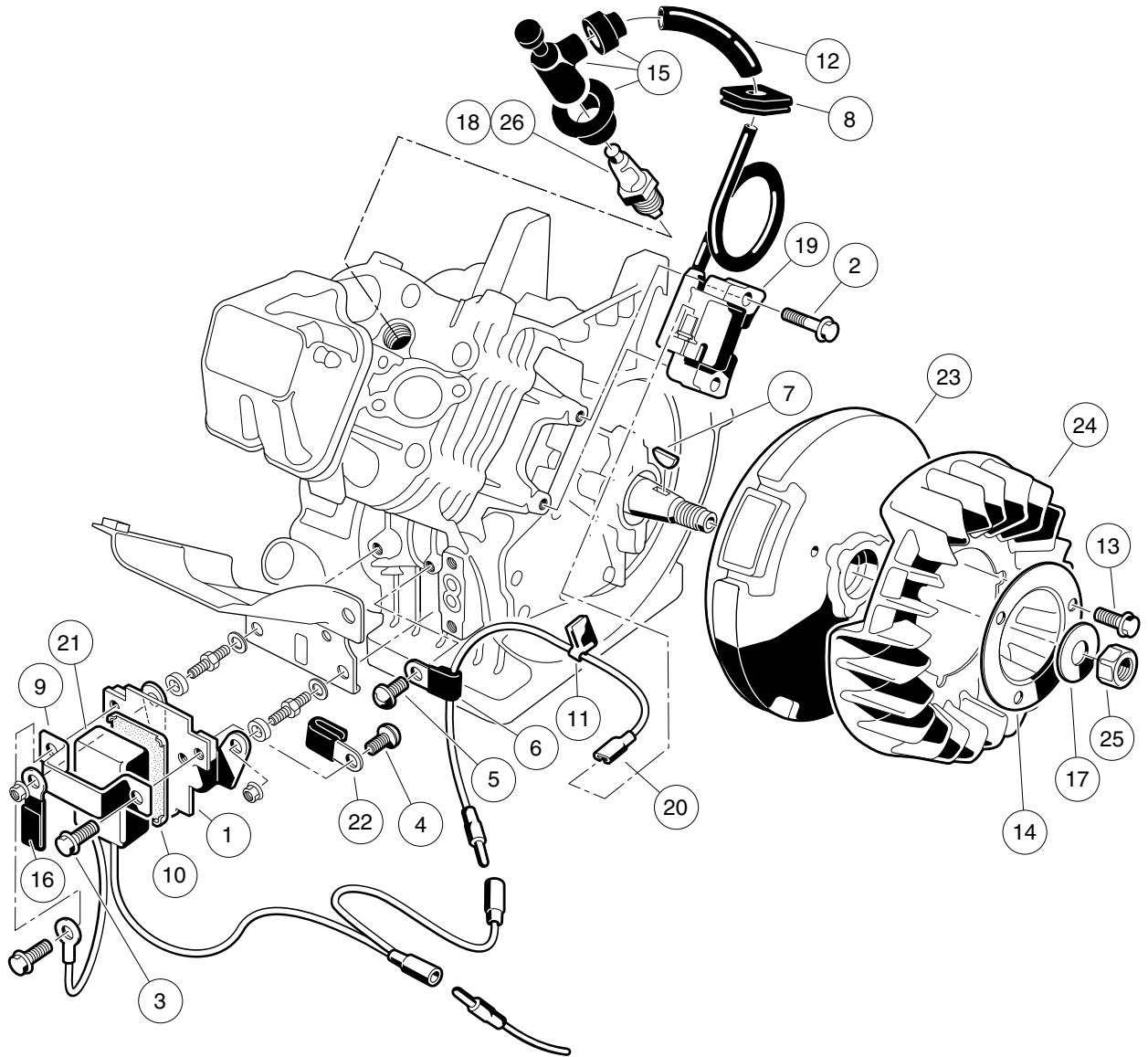


000201-001

AS11 FE350 ENGINE WITHOUT ACR (AUTOMATIC COMPRESSION RELEASE) – SHROUDS AND BRACKETS

ITEM	PART NO.	DESCRIPTION	QTY
		1 2 3 4	
1	1015332	Wire Assembly, #10, Uninsulated	1
2	1015649	Shroud, Fan	1
3	1015969	Screw, M6-1.00 X 10mm Pan Hd	4
4	101887601	Locknut, M6-1.00 Nylon Insert	1
5	101953802	Engine, FE350 (cw) without ACR * (includes items 6 through 17)	1
6	1016456	Bolt, Flange Head, M6 x 1 x 12 mm	14
7	1016507	Bolt, Two-Ended	3
8	1016531	Dipstick	1
9	1016539	O-Ring	1
10	1016547	Nut, M6 Flange	3
11	1017474	Shroud, Engine	1
12	1017475	Shroud, Engine	1
13	1017476	Shroud, Engine	1
14	1017486	Tube, Oil Filler	1
15	1017500	Spacer 6.50 X 12 X 5.5	2
16	101916101	Housing, FE350 Fan	1
17	N/A	Washer, 6mm Flat	3
		* Note: FE350 engine component listings span several pages.	

7
G

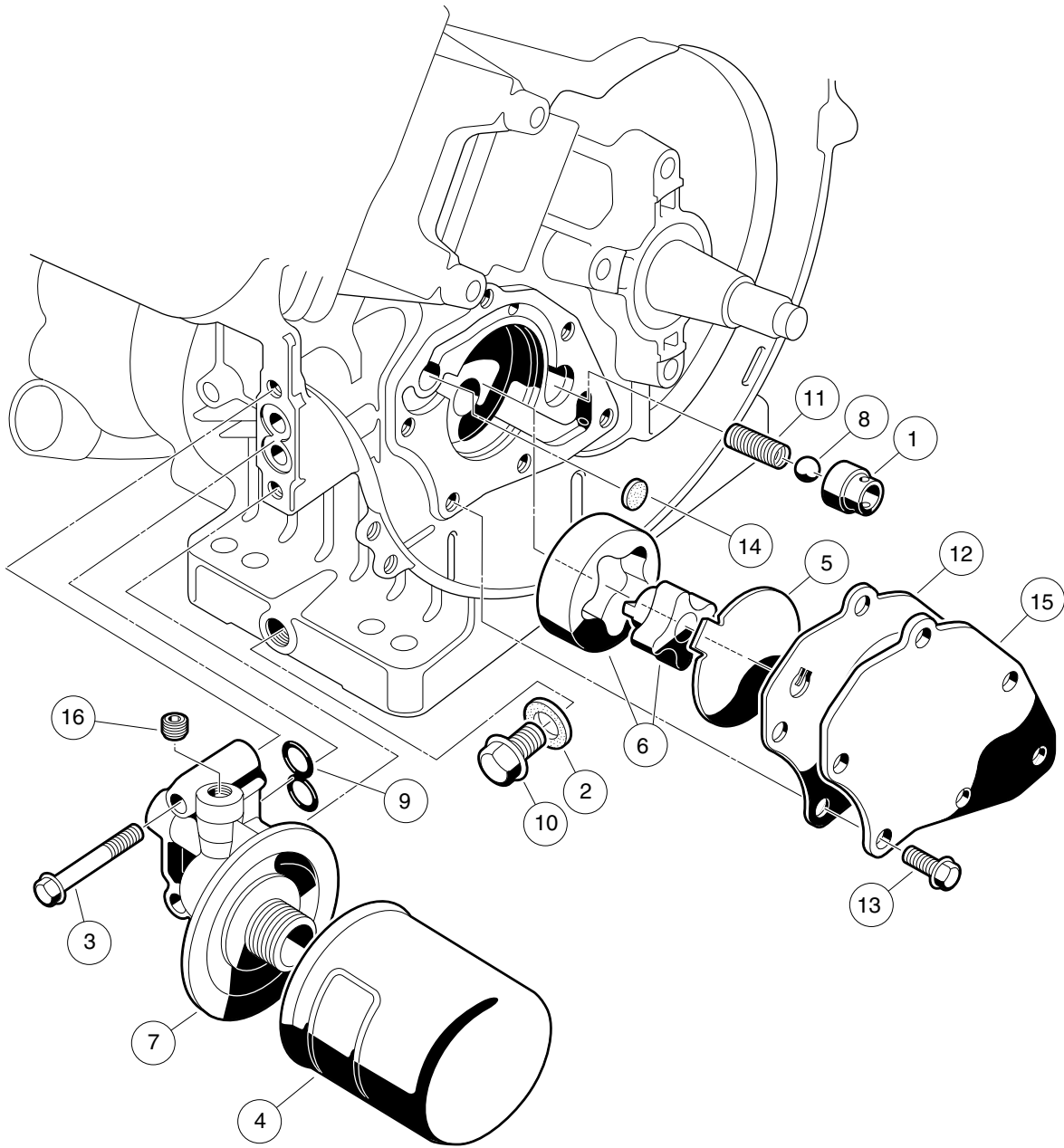


000202-001

AS11 FE350 ENGINE – IGNITION COMPONENTS AND FLYWHEEL

ITEM	PART NO.	DESCRIPTION	QTY
		1 2 3 4	
1	1016445	Bracket, RPM Limiter	1
2	1016455	Bolt, Flange Head	2
3	1016456	Bolt, Flange Head, M6 x 1 x 12 mm	2
4	1016497	Screw, Pan WP Cross	1
5	1016544	Screw	1
6	1016561	Clamp	1
7	1016562	Key	1
8	1016578	Ignition, Grommet	1
9	1016579	Band, RPM Limiter Mount	1
10	1016586	Damper, RPM Limiter	1
11	1016587	Clamp	1
12	1016588	Tube, 7mm X 10mm X 70mm	1
13	1017448	Bolt, Flanged	3
14	1017455	Plate, Flywheel Fan	1
15	1017463	Cap Asm Plug	1
16	1017468	Clamp	1
17	1017490	Washer, Flat	1
18	101881101	Spark Plug, OHV (Autolite)	1
19	101909201	Coil, Ignition	1
20	101909301	Lead Wire Assy	1
21	101909401	Limiter, RPM	1
22	101909501	Clamp, Steel	1
23	101916201	Flywheel	1
24	101916301	Fan (cw)	1
25	N/A	Nut, Hex, 18 mm Fine	1
26	AM10724	Spark Plug, OHV (NGK)	1

7
G



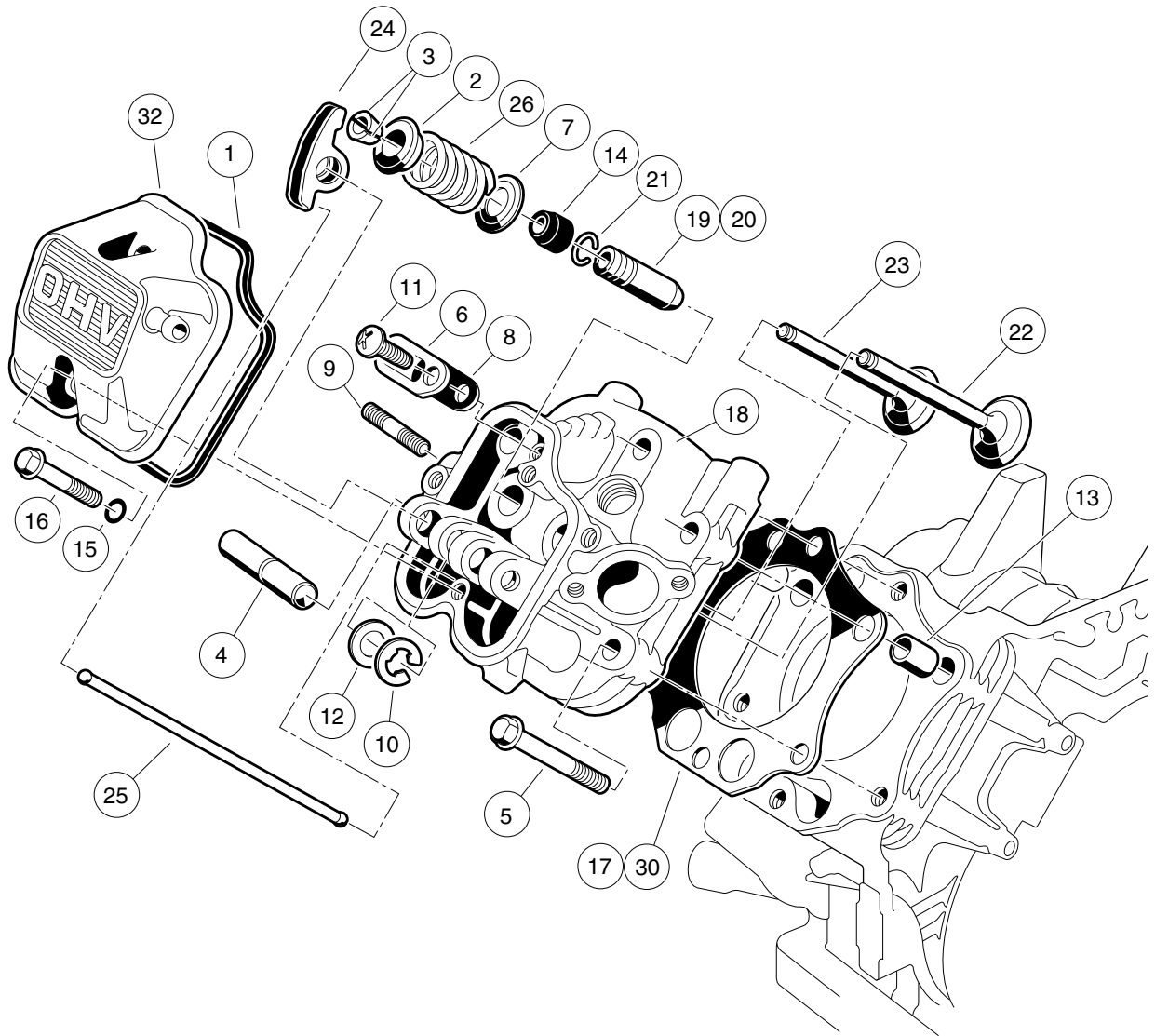
000203-001

FE350 ENGINE – OIL CIRCULATION

ITEM	PART NO.	DESCRIPTION	QTY
		1 2 3 4	
1	1016429	Seat, Value Oil Press Relief	1
2	1016432	Gasket, Drain Plug	1
3	1016457	Bolt, Flange Head	2
4	1016467	Filter, Oil	1
5	1016473	Plate, Oil Pump	1
6	101648203	Oil Pump And Rotor	1
7	1016502	Bracket, Oil Filter Mount	1
8	1016537	Ball, Steel, Press, Relief	1
9	1016570	O-Ring	1
10	1016576	Plug, Drain	1
11	1016581	Spring	1
12	1017442	Gasket	1
13	1017456	Bolt, Flanged	6
14	1017458	Filter	1
15	1017460	Cover, Pump	1
16	1017507	Plug	2

7

G



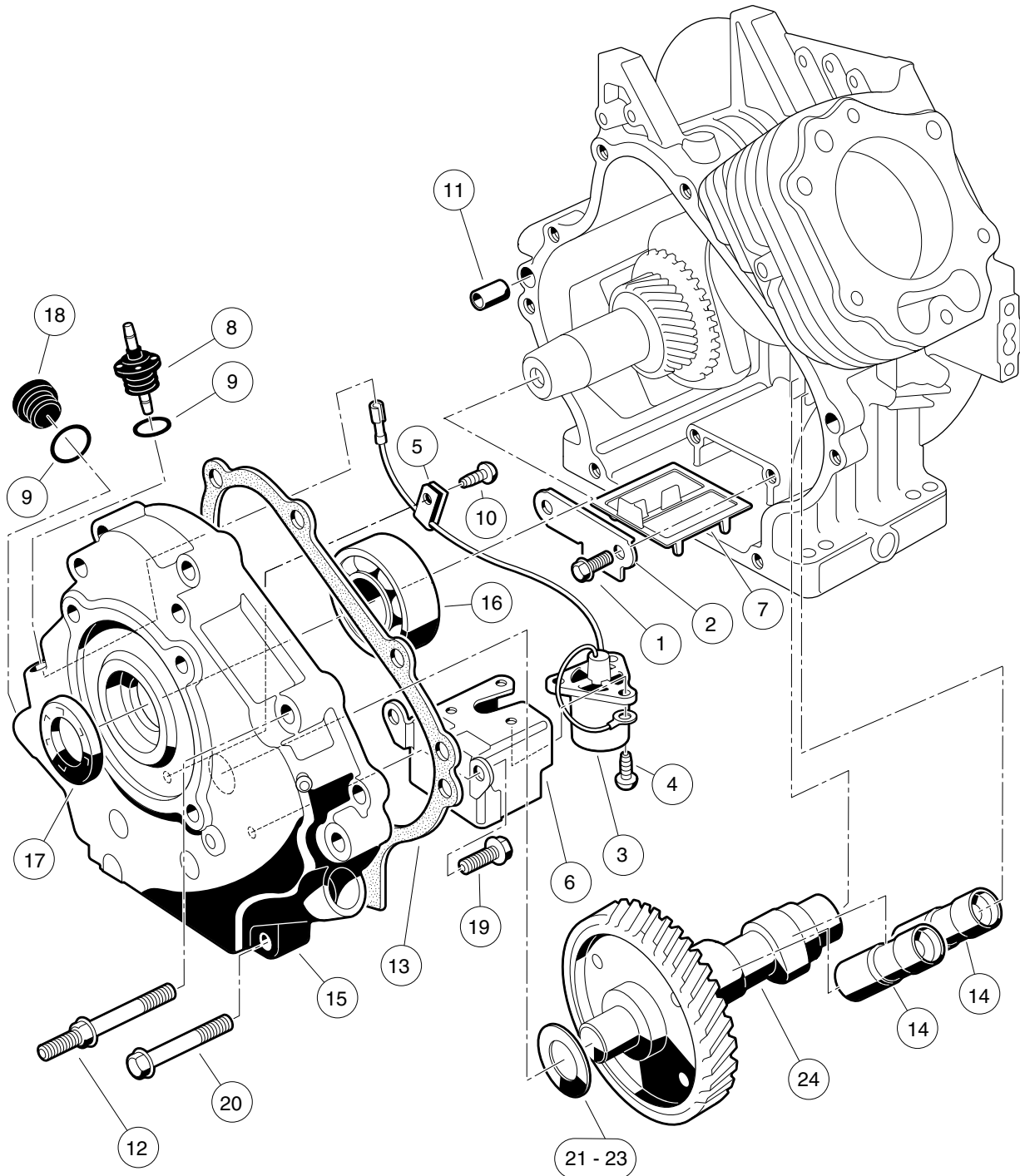
000204-001

AS11 FE350 ENGINE – CYLINDER HEAD

ITEM	PART NO.	DESCRIPTION	QTY
		1 2 3 4	
1	1016436	Gasket, Rocker Case	1
2	1016449	Retainer, Valve Spring	2
3	1016450	Collet	4
4	1016452	Shaft, Rocker	1
5	1016458	Bolt, Flange Head, M8 x 1.25 x 45 mm	6
6	1016474	Plate	1
7	1016479	Seat, Spring	2
8	1016483	Valve	1
9	1016489	Stud, Two-Ended, M8-1.25	2
10	1016517	Circlip, Type-E	1
11	1016544	Screw	1
12	1016549	Washer, 12.1x19x1.8	1
13	1016563	Pin	2
14	1016566	Seal, Oil	2
15	1016569	O-Ring	2
16	1016583	Bolt, 6x35	2
17	1017434	Gasket, Head	1
18	1017435	Assembly, Cylinder Head, FE350 (includes items 19 through 21)	1
19	1016518	Guide, Valve, Exhaust	1
20	1016519	Guide, Valve	1
21	1016560	Snap Ring	2
22	1017444	Valve, Intake	1
23	1017445	Valve, Exhaust	1
24	1017446	Arm, Rocker	2
25	1017454	Rod, Push	2
26	1017473	Spring, Engine Valve	2
27	102304801	Kit, Gasket, FE350 (includes items 28 through 31)	1
28	1016440	Gasket, Engine to Insulator	1
29	1016904	Gasket, Exhaust	1
30	1017434	Gasket, Head	1
31	1017443	Gasket, Crankcase Cover	1
32	102753401	Case, Rocker	1
		Note: Item 28 is not a component of the FE350 engine.	

7

G

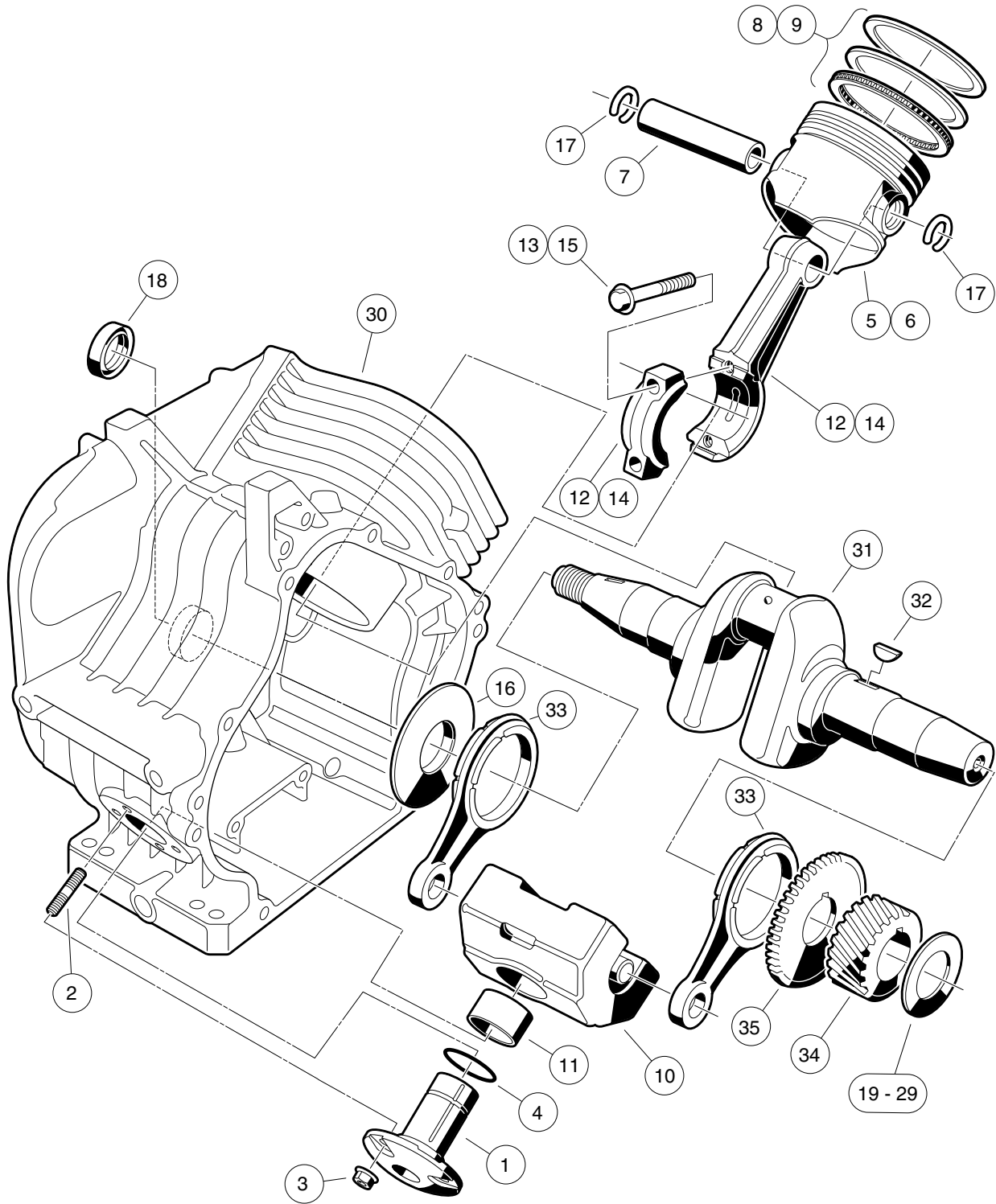


000205-002

AS11 FE350 ENGINE WITHOUT ACR – CRANKCASE, CAMSHAFT, AND OIL SENSOR

ITEM	PART NO.	DESCRIPTION	QTY
		1 2 3 4	
1	1016454	Bolt, Flange Head, M5 x 0.8 x 8 mm	2
2	1016472	Plate, Oil Filter Screen	1
3	1016494	Sensor, Oil Level	1
4	1016496	Screw, Cross Pan-Head, M4 x 0.7 x 8 mm	3
5	1016506	Clamp	1
6	1016510	Bracket, Switch, Oil Level	1
7	1016521	Screen, Oil Filter	1
8	1016535	Connector, Cord	1
9	1016538	O-Ring	2
10	1016544	Screw	1
11	1016564	Pin	2
12	1016584	Bolt, Two-Ended, M8 x 1.25 x 69 mm	2
13	1017443	Gasket, Crankcase Cover	1
14	1017447	Adjuster, Lash	2
15	1017472	Cover Crankcase	1
16	1017487	Bearing, Ball	1
17	1017504	Seal, Oil	1
18	1017508	Plug	1
19	1017513	Bolt Switch Bracket	2
20	1017514	Screw, M8-1.25 X 45mm Hex	6
21	101751801	Shim, 0.3	1
22	101751802	Shim, 0.4	1
23	101751803	Shim, 0.5	1
24	102431001	Camshaft, FE350 without ACR, 44-Tooth	1

7
G



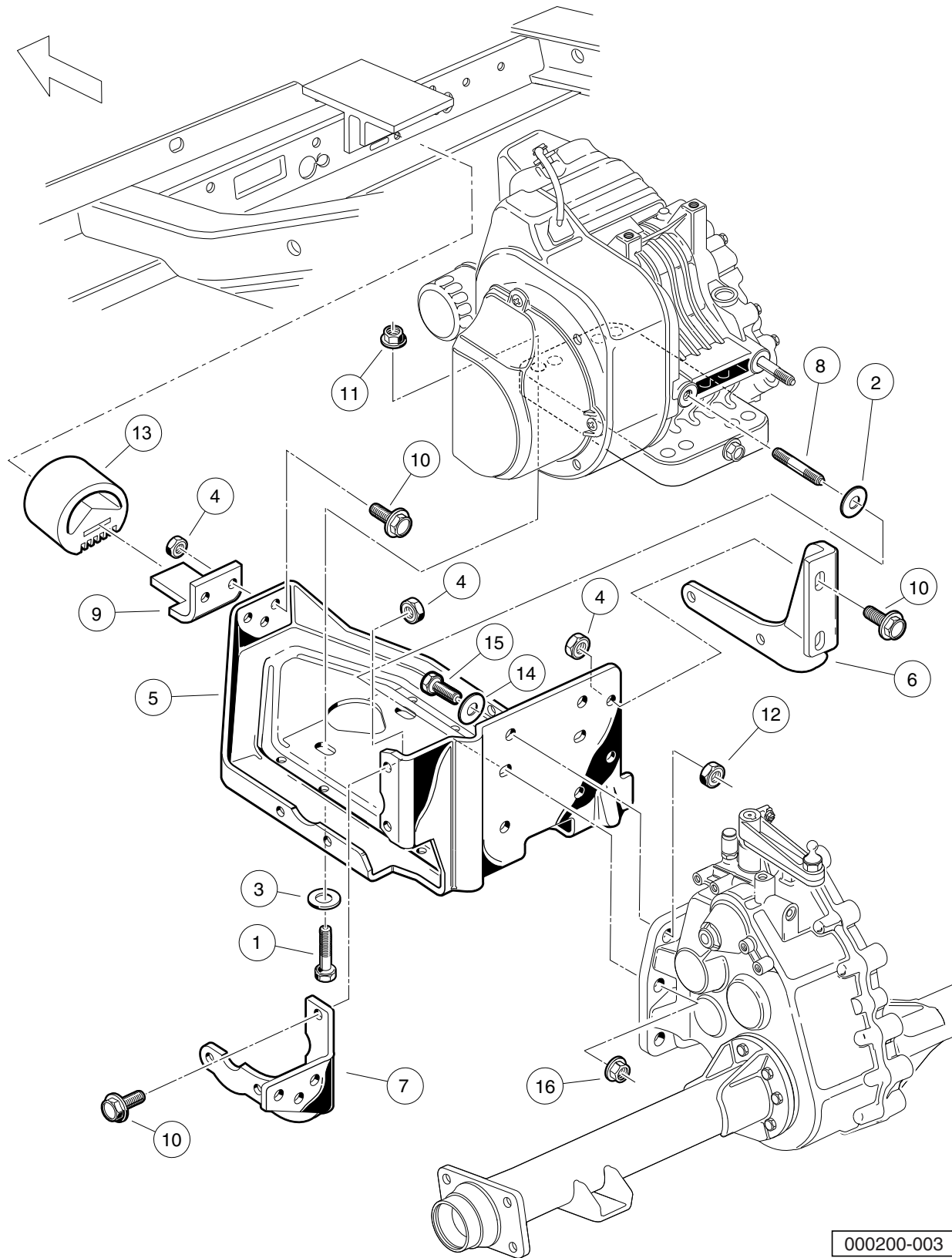
000206-001

AS11 FE350 ENGINE – CRANKCASE AND CRANKSHAFT

ITEM	PART NO.	DESCRIPTION	QTY
		1 2 3 4	
1	1016470	Shaft, Guide, Counterbalance	1
2	1016541	Stud, 6x14	4
3	1016547	Nut, M6 Flange	4
4	1016571	O-Ring	1
5	101744901	Piston, Standard	1
6	101744902	Piston, 0.50 mm Oversize	1
7	1017450	Pin, Piston	1
8	101745101	Ring Set, Standard Piston	1
9	101745102	Ring Set, Piston, 0.50 mm Oversize	1
10	1017453	Fe400 Counterbalance Weight (includes item 11)	1
11	1017510	Bearing, Plain	1
12	101745701	Asm, Con. Rod Std (includes item 13)	1
13	1017512	Bolt	2
14	101745702	Rod Assembly Connecting Rod 0.5mm (includes item 15)	1
15	1017512	Bolt	2
16	1017501	Spacer	1
17	1017502	Snap Ring	2
18	1017503	Seal, Oil	1
19	101773301	Shim, Crankshaft, 1.18mm	1
20	101773302	Shim, Crankshaft, 1.25mm	1
21	101773303	Shim, Crankshaft, 1.32mm	1
22	101773304	Shim, Crankshaft, 1.39mm	1
23	101773305	Shim, Crankshaft, 1.46mm	1
24	101773306	Shim, Crankshaft, 1.53mm	1
25	101773307	Shim, Crankshaft, 1.60mm	1
26	101773308	Shim, Crankshaft, 1.67mm	1
27	101773309	Shim, Crankshaft, 1.74mm	1
28	101773310	Shim, Crankshaft, 1.11 mm	1
29	101773311	Shim, Crankshaft, 1.81mm	1
30	101916001	Crankcase Complete, FE350 (cw)	1
31	102430901	Crankshaft, FE350 Left-Hand, 22-Tooth (includes items 32 through 35)	1
32	1016562	Key	1
33	1017471	Rod	2
34	N/A	Gear, Helical	1
35	N/A	Gear, Spur	1

7
G

7
G



000200-003

FE350 ENGINE MOUNTING

ITEM	PART NO.	DESCRIPTION	QTY
		1 2 3 4	
1	1010577	Bolt, Hex-Head, 5/16-18 X 1.50	4
2	1011697	Washer, 5/16 Flat	2
3	1012571	Washer, 5/16 Extra Thick Flat	4
4	1013924	Nut, 5/16-24 Hex Head Cone	10
5	101827101	Plate, Engine Mounting	1
6	101832601	Stiffener (PTO Side)	1
7	101832701	Stiffener (Flywheel Side)	1
8	101833101	Stud, M8-1.25 X 50 mm Two-Ended	2
9	101834601	Snubber Bracket	1
10	101884801	Screw, 5/16-24 X 0.875 Grade-8	10
11	101963401	Locknut, 5/16-18 Hex Flange	4
12	102065901	Locknut, 3/8-16 Flanged Dimple	4
13	102540301	Inner Frame Snubber	1
14	334	Washer, 3/8 Type A Flat	4
15	705	Screw, Cap-hex Hd 3/8-16x1.25	4
16	96704416	Nut Flg, M8 X 1.25 Serrated	2

7

G

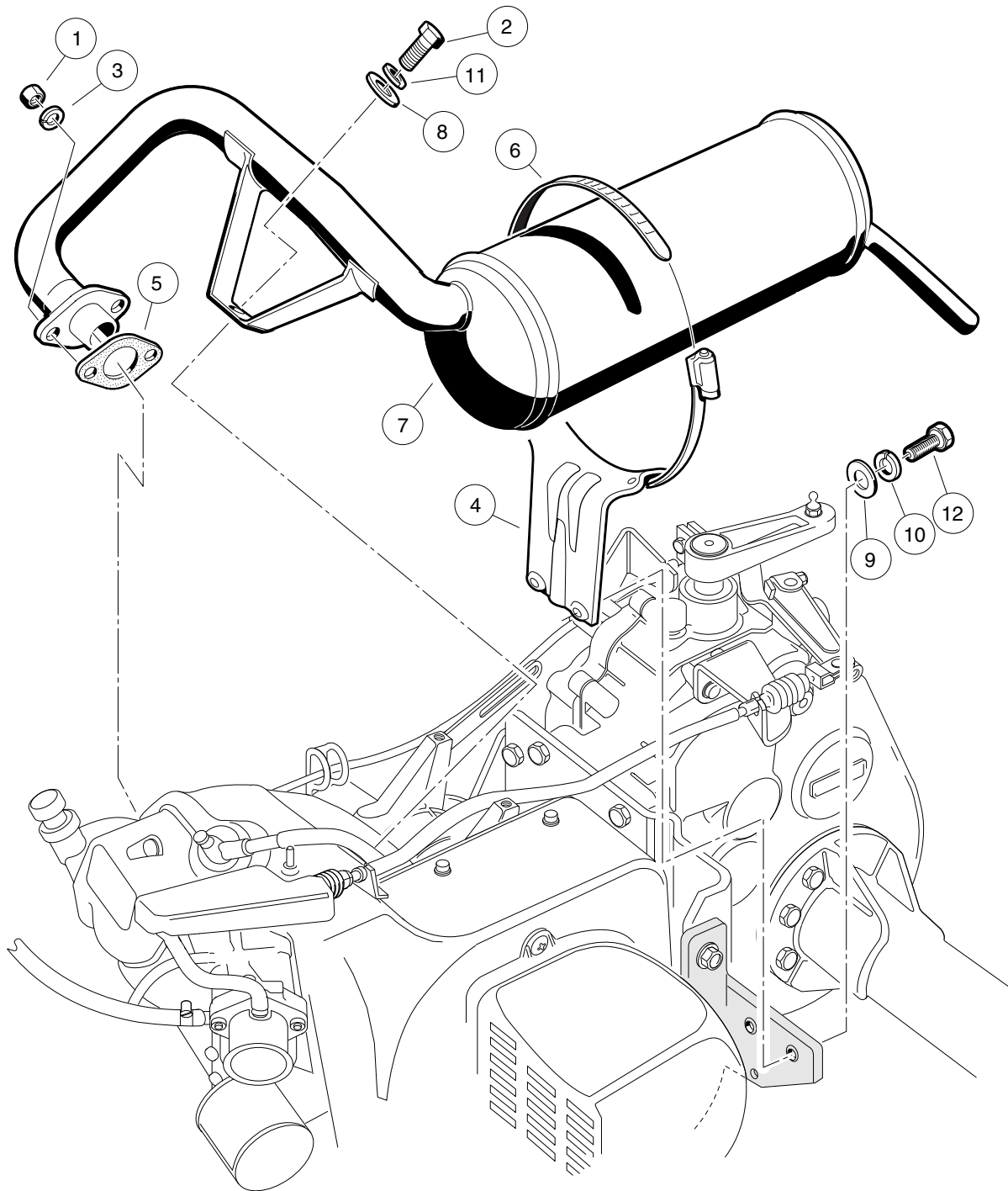
7

G

EXHAUST SYSTEM

8

G



000209-001

EXHAUST SYSTEM – FE350 ENGINE

ITEM	PART NO.	DESCRIPTION	QTY
		1 2 3 4	
1	1012528	Nut, M8-1.25 Hex	2
2	1012830	Screw, M8-125 X 22 Hex-Head	1
3	1013734	Lockwasher, 8mm Split	2
4	1015814	Bracket, Muffler Mounting	1
5	1016904	Gasket, Exhaust	1
6	1017689	Clamp, 5" Muffler Hose	1
7	101859401	Exhaust System, FE350	1
8	1241	Washer, 5/16 Type A Flat	1
9	332	Washer, 1/4 Type A Narrow Flat	2
10	451	Lockwasher, 1/4 Split	2
11	7174	Lockwasher, 5/16 Split	1
12	7847	Screw, 1/4-20 X 0.75 Hex-Head Cap	2

8

G

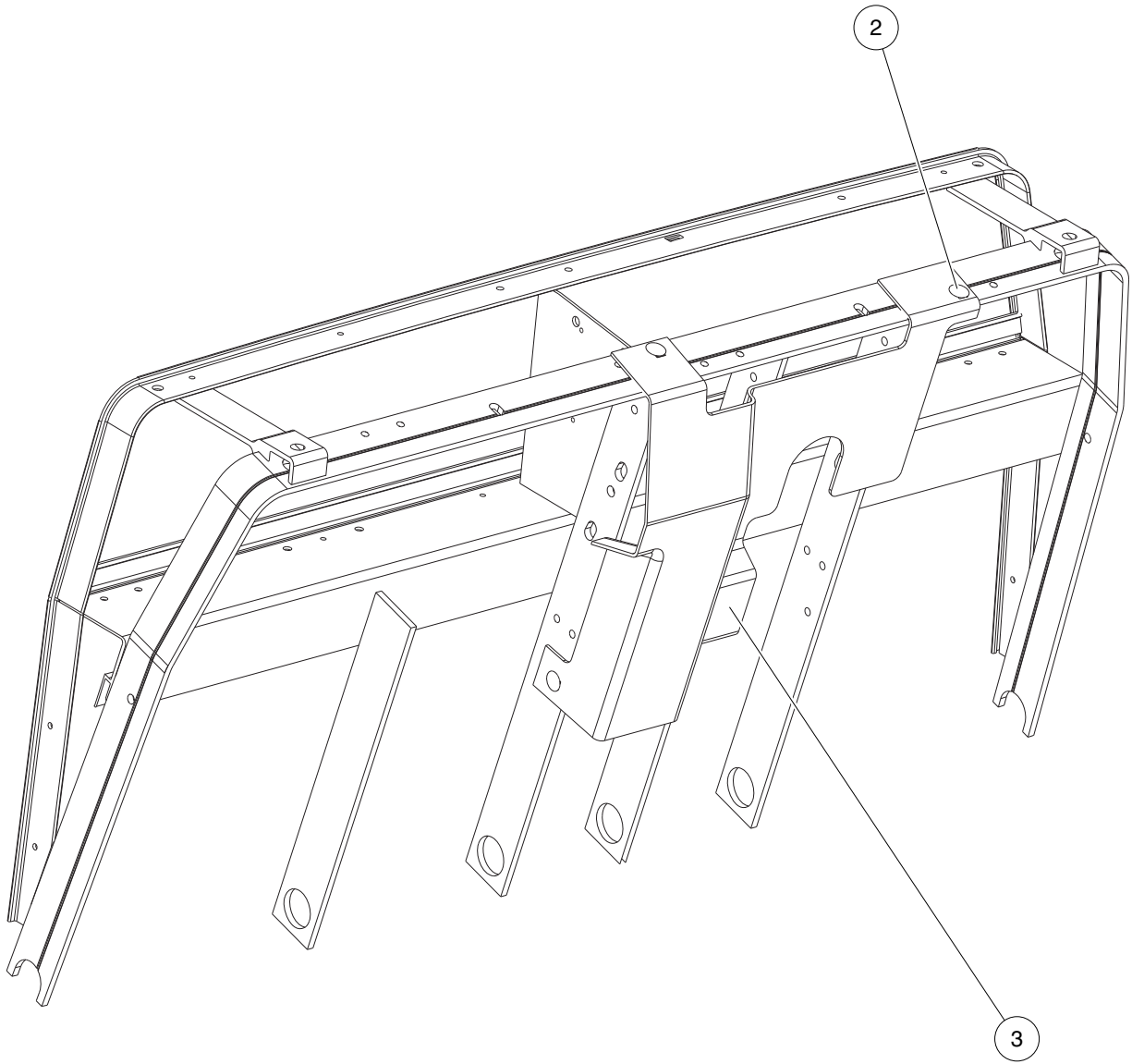
8

G

FUEL, INTAKE, AND GOVERNOR SYSTEMS

9

G



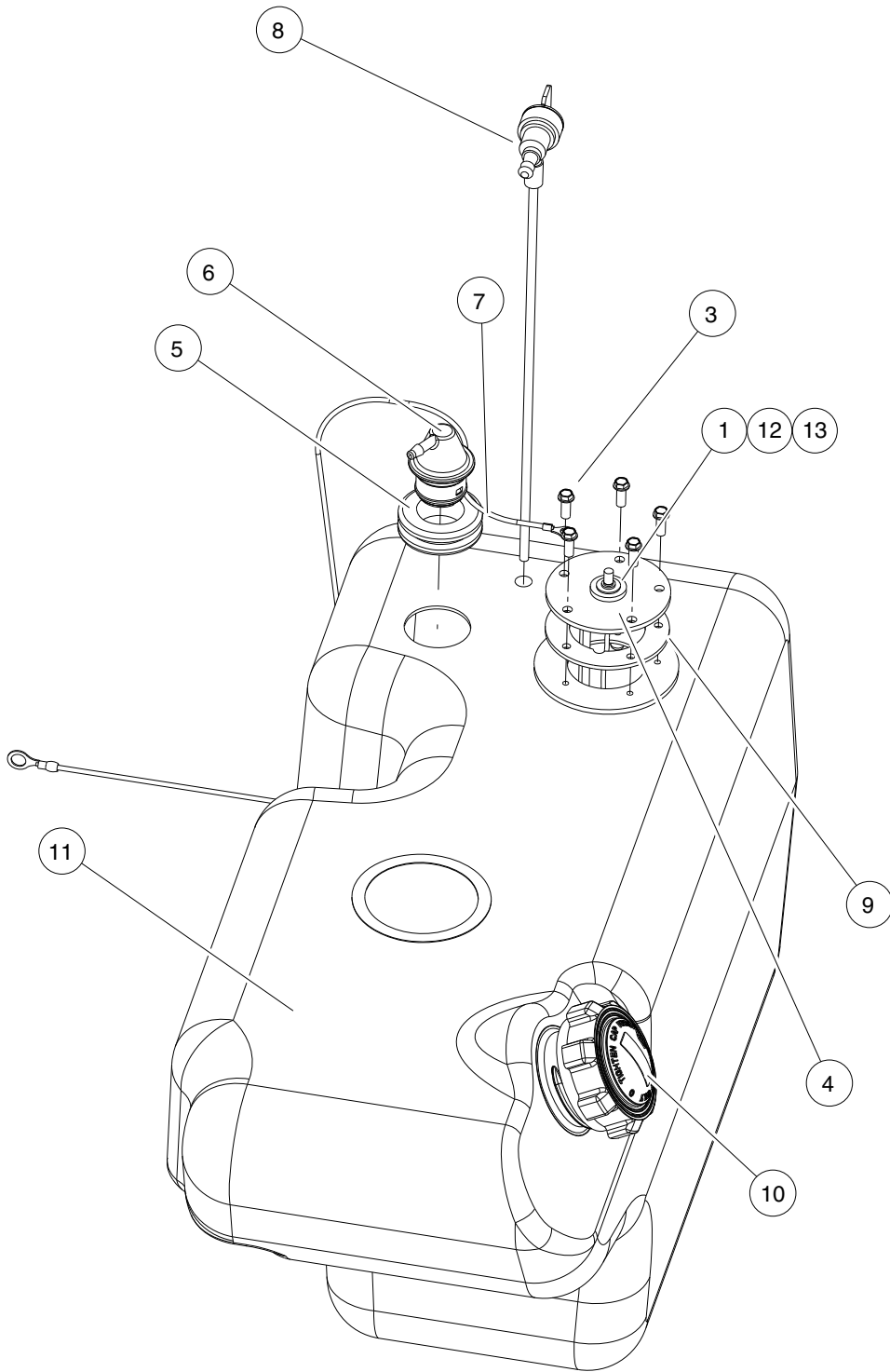
000593-001

SPLASH GUARD

ITEM	PART NO.	DESCRIPTION	QTY
		1 2 3 4	
1	N/A	Instl, Splashguard, Ca (includes items 2 and 3)	1
2	1010434	Barrel - Plastic	3
3	103174401	Splash Guard	1

9

G



000609-001

FUEL TANK (NON-CLIFORNIA) WITH SENDING UNIT

ITEM	PART NO.	DESCRIPTION	QTY
		1 2 3 4	
1	1016	Lockwasher, #10 Split	1
2	103187601	Asm, Fuel Tank, Side Fill, Su (includes items 3 through 11)	1
3	1013461	Screw, #10-16 Hex-Head Hi-Lo	5
4	1013462	Sending Unit, Fuel Level *	1
5	1015139	Insulation Grommet	1
6	1015143	Vent, Fuel Tank	1
7	1015921	Wire Assembly #16 Black	1
8	102513701	Valve - Fuel Pickup Tube	1
9	102522001	Gasket, Rubber	1
10	102751601	Cap, Fuel Tank, Gasoline	1
11	102974201	Tank, Fuel, Side Fill	1
12	183	Washer, #10 Type A Flat	1
13	8797	Nut, #10-32 Brass Hex	1
<p style="margin-left: 40px;">* Note: Must replace fuel sending unit gasket when servicing this component.</p>			

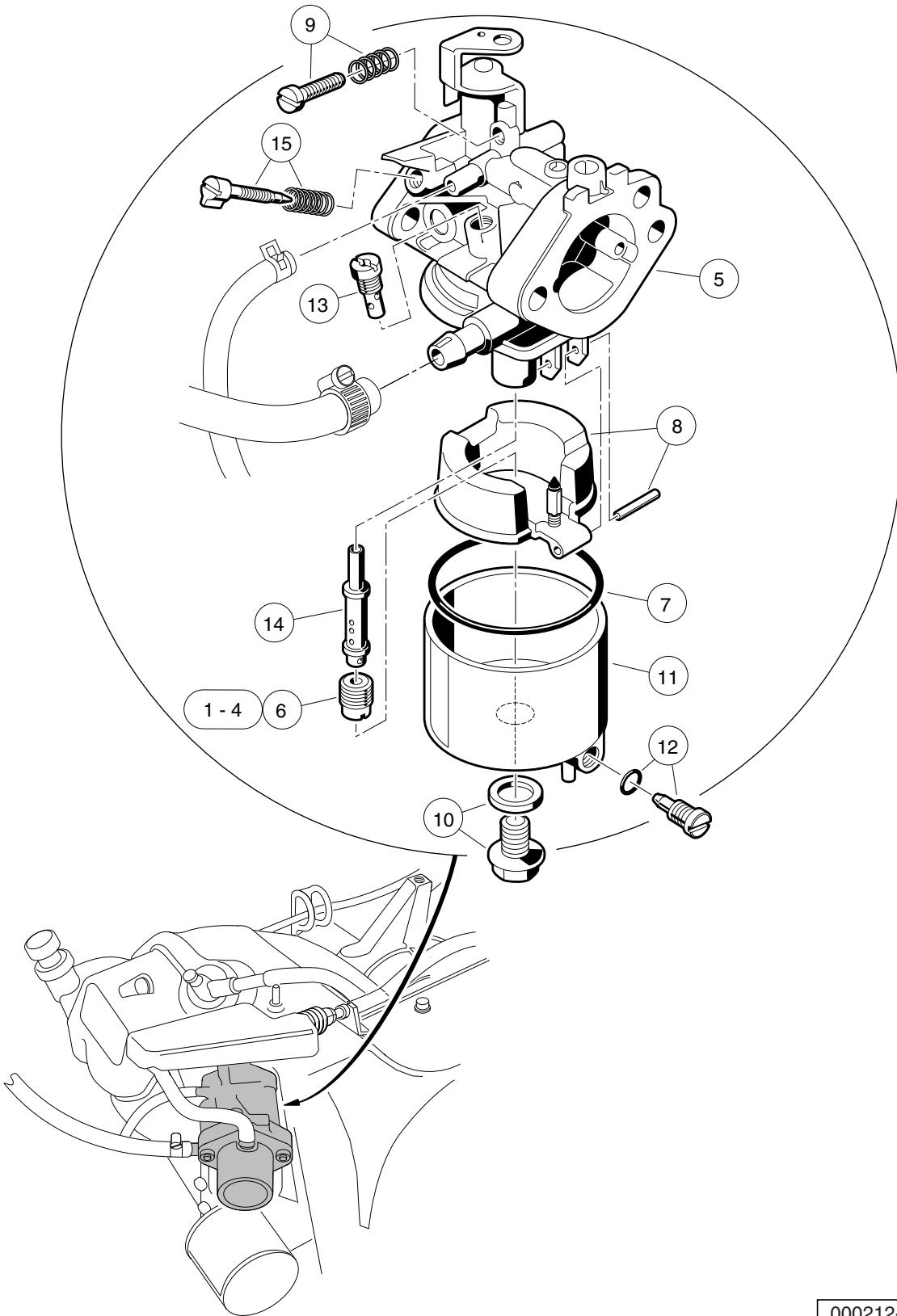
9

G

FUEL SYSTEM

9
G

ITEM	PART NO.	DESCRIPTION	QTY
		1 2 3 4	
1	N/A	Instl, Fuel Sys, Side Fill,ca1 (includes items 2 through 26)	1
2	1012285	Screw, 1/4 X 0.625 Hex-Head	4
3	1013687	Clamp, 3/8" Hose (screw type)	1
4	1013746	Clamp, 0.301 ID Hose	3
5	1014116	Nut, 1/4-20 Speed	1
6	1015137	Fuel Line (available by the foot)	1
7	101824401	Vent Barb	1
8	101929501	Mount Fuel Pump	1
9	N/A	Asm, Fuel Filter 14.93" J1737 (includes items 10 through 13)	1
10	1012649	Clamp, 0.460 Red Hose	4
11	102003201	Filter, Fuel, 30 Micron	1
12	N/A	Cap, Plug, Plastic	2
13	102865101	Fuel Line	1
14	N/A	Asm, Fuel Filter 16.93" J1737 (includes items 15 through 18)	1
15	1012649	Clamp, 0.460 Red Hose	3
16	102003201	Filter, Fuel, 30 Micron	1
17	N/A	Cap, Plug, Plastic	2
18	102865101	Fuel Line	1
19	N/A	Asm, Fuel Line 16" J1737 (includes items 20 through 22)	1
20	1012649	Clamp, 0.460 Red Hose	2
21	N/A	Cap, Plug, Plastic	2
22	102865101	Fuel Line	1
23	102977901	Bezel, Fuel Fill, 5.0 Dia	1
24	102978001	Strap, Fuel Tank, Side Fill	1
25	103306301	Screw, Bhsc, 1/4-20 X 2.0	1
26	103781101	Kit, Fuel Pump Retrofit (includes items 27 and 28)	1
27	103010101	Pump, Fuel, Impulse, Fh	1
28	103781201	Instr, Fuel Pump Retrofit	1



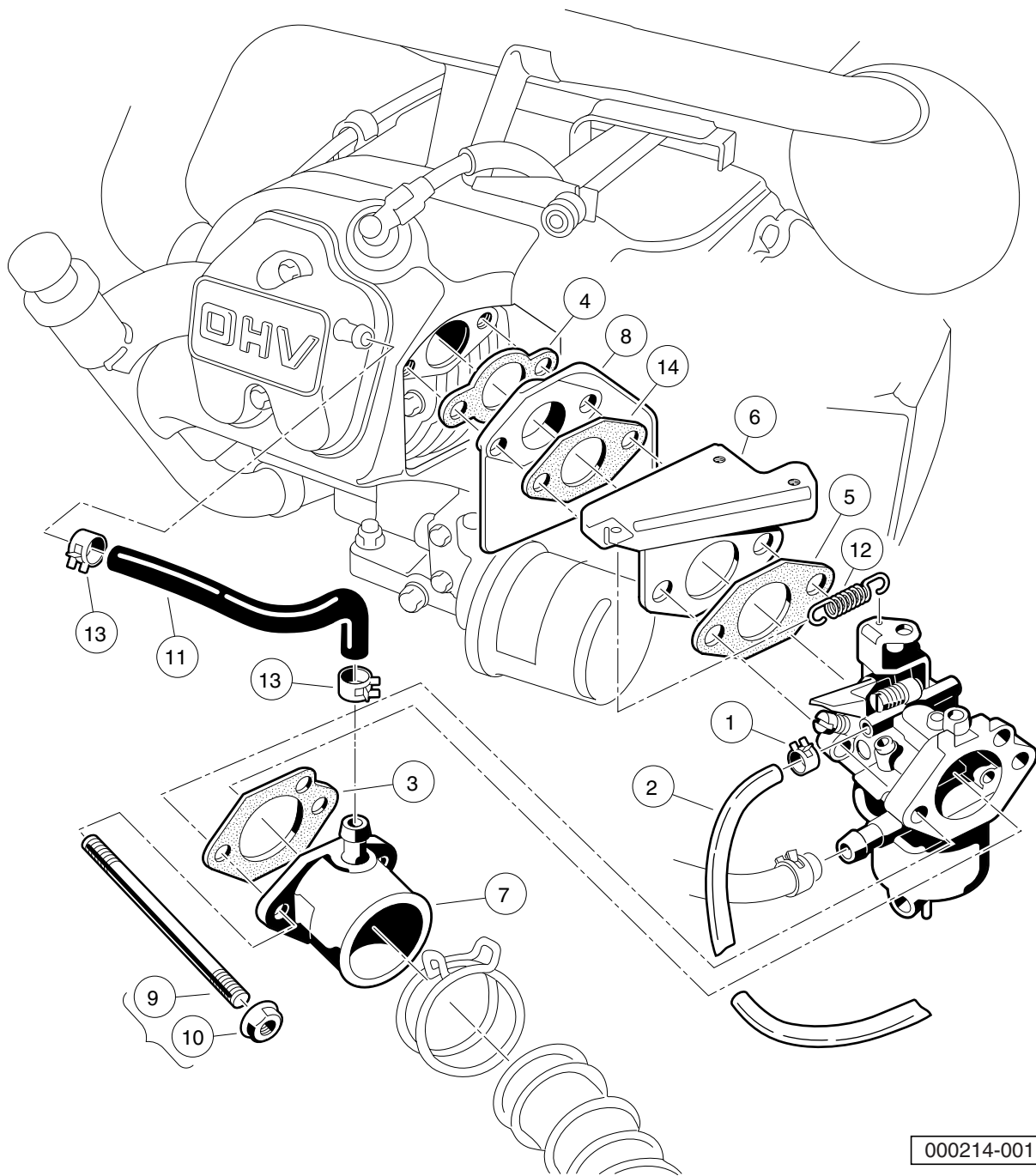
000212-001

CARBURETOR ASSEMBLY – FE350

ITEM	PART NO.	DESCRIPTION	QTY
		1 2 3 4	
1	101642575	Jet, Altitude, # 75	1
2	101642578	Jet, Altitude, # 78	1
3	101642580	Jet, Altitude, # 80	1
4	101642582	Jet, Altitude, # 82	1
5	101905901	Carburetor, FE350D (includes items 6 through 15)	1
6	101642585	Jet, Altitude, # 85	1
7	1016437	Gasket, Carburetor Bowl OHV	1
8	1016486	Float Assembly	1
9	1016501	Screw Assembly	1
10	1016585	Bolt	1
11	1017461	Chamber Assembly, Float (includes item 12)	1
12	1016499	Screw Assembly	1
13	101973101	Jet, #40 Pilot	1
14	101973301	Nozzle, Main	1
15	N/A	Assembly, Pilot Air Screw	1
<p>Note: 101642585 for 0 - 3,000 feet; 101642582 for 3,000 - 5,000 feet; 101642580 for 5,000 - 8,000 feet; 101642578 for 8,000 - 10,000 feet; 101642575 for 10,000 feet and higher.</p>			

9

G

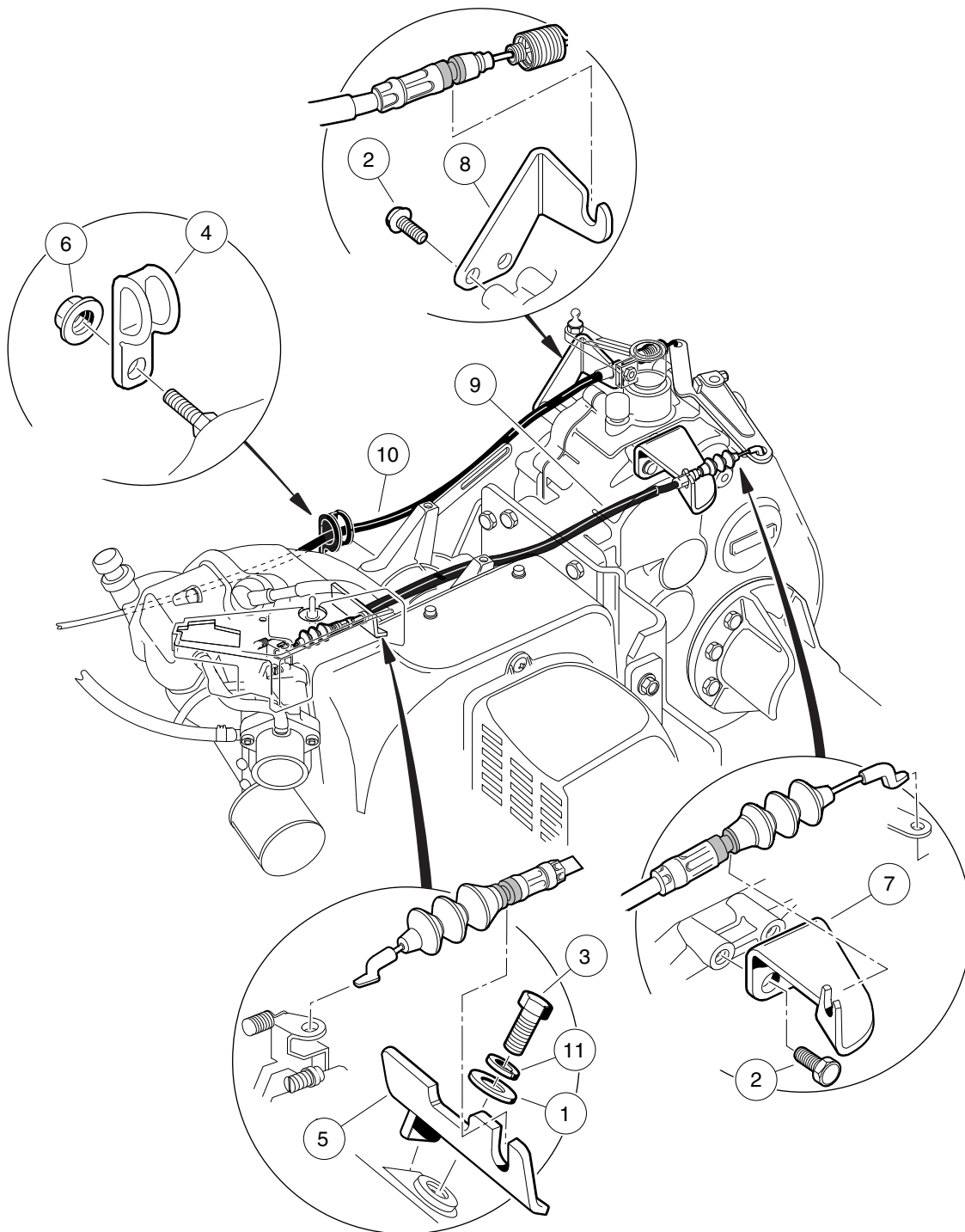


000214-001

CARBURETOR INSTALLATION – FE350

ITEM	PART NO.	DESCRIPTION	QTY
		1 2 3 4	
1	1013746	Clamp, 0.301 ID Hose	1
2	1015137	Fuel Line (available by the foot)	1
3	1016438	Gasket, Carb To Intake Manifold	1
4	1016440	Gasket, Engine to Insulator	1
5	1016441	Gasket, Sprg Brkt To Carb OHV	1
6	1016444	Bracket, Throttle Spring Return	1
7	1016480	Pipe, Intake Manifold	1
8	101648102	Insulator, Carburetor	1
9	101649002	Stud, M6-1.00 Two-Ended	2
10	1016547	Nut, M6 Flange	2
11	1016572	Tube, Crankcase Vent	1
12	1016582	Spring, Throttle Return	1
13	1017466	Clamp	2
14	101973401	Gasket, Insulator To Bracket	1

9
G



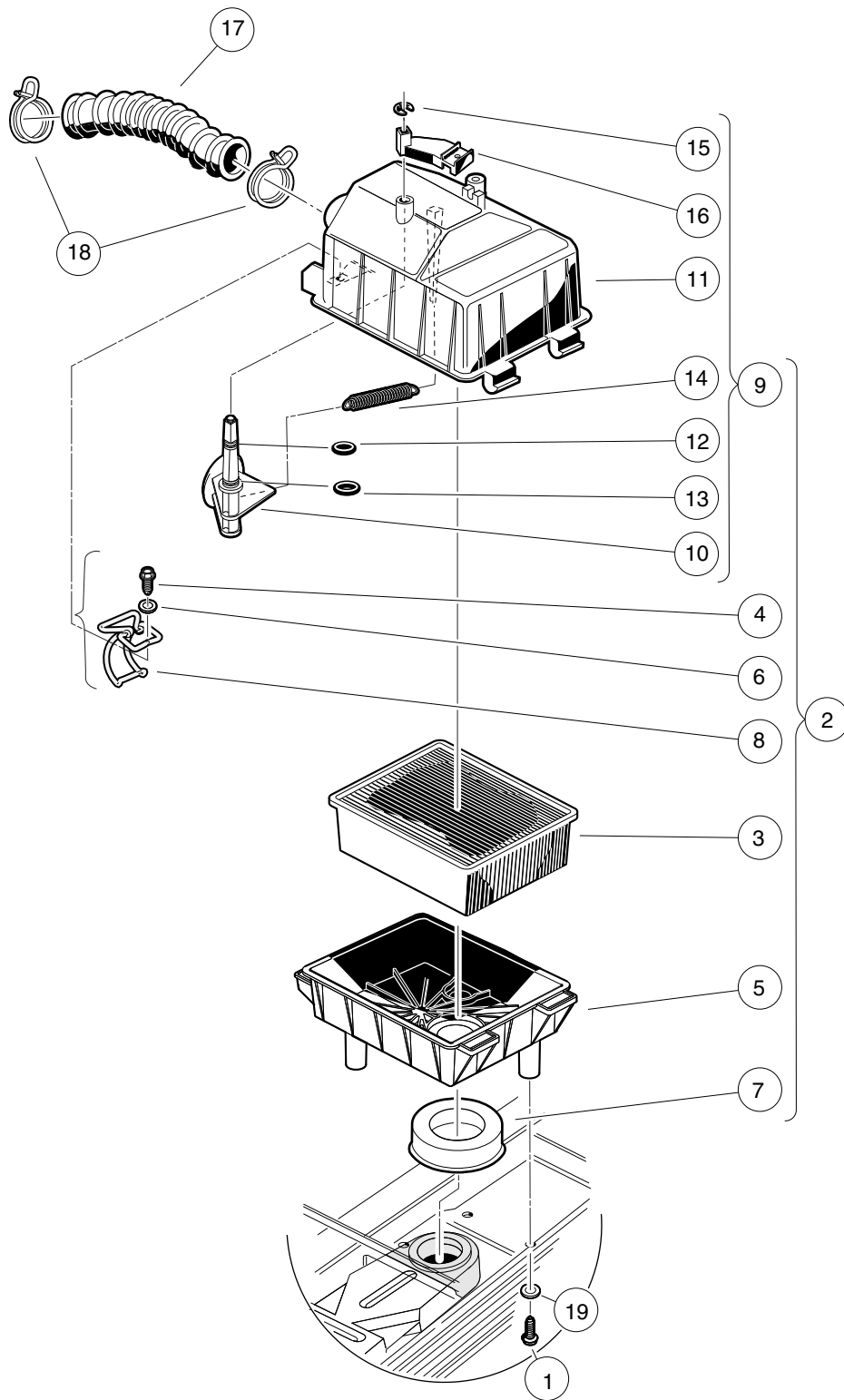
000215-001

GOVERNOR AND ACCELERATOR CABLES

ITEM	PART NO.	DESCRIPTION	QTY
		1 2 3 4	
1	1011697	Washer, 5/16 Flat	1
2	1012285	Screw, 1/4 X 0.625 Hex-Head	4
3	1012830	Screw, M8-125 X 22 Hex-Head	1
4	1013700	Clamp	2
5	101584502	Bracket, Governor Cable Snap-In	1
6	1016546	Nut	2
7	101832202	Bracket, Rear Governor Cable Snap-In	1
8	101832302	Bracket, Rear Accelerator Cable Snap-In	1
9	102336001	Cable, Governor, Snap-In	1
10	102336101	Cable, Accelerator, Snap-In	1
11	7174	Lockwasher, 5/16 Split	1

9

G



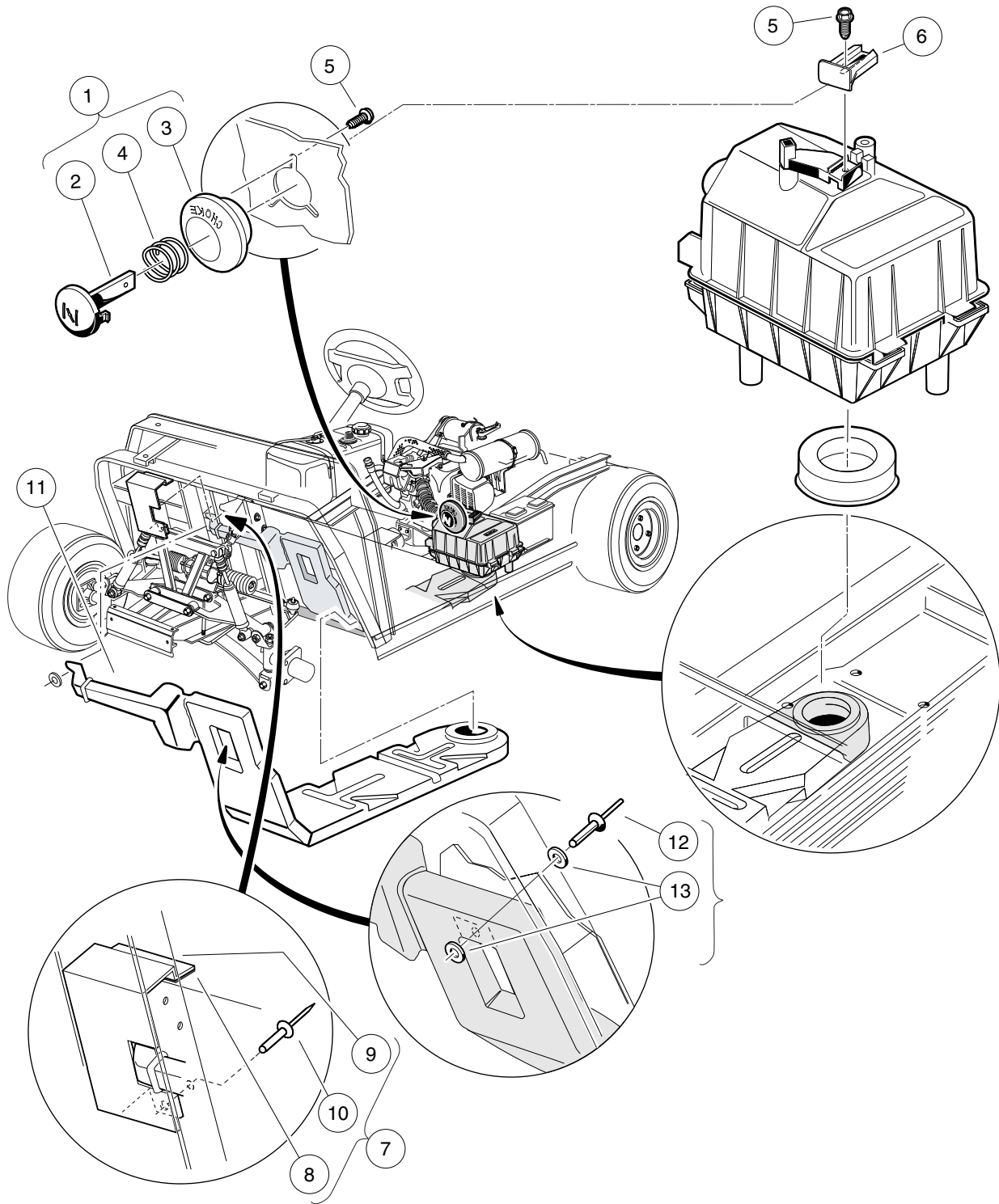
000332-001

AIR BOX AND INTAKE HOSE

ITEM	PART NO.	DESCRIPTION	QTY
		1 2 3 4	
1	1015752	Screw, #12-16 X 0.625 Hi-Lo	3
2	101821501	Assembly, Air Box (includes items 3 through 9)	1
3	1015426	Filter, Air	1
4	101804301	Screw, #8 X 0.500, Hex-Head Hi-Lo	2
5	101811901	Bottom, Air Box	1
6	101881701	Washer, #8 Stainless-Steel Flat	2
7	101921501	Seal, Intake	1
8	101925701	Latch, Wireform	2
9	101972801	Top Assy, Air Box (includes items 10 through 16)	1
10	N/A	Valve, Choke	1
11	101811801	Top, Air Box	1
12	N/A	O-Ring, 5/16	1
13	N/A	O-Ring, 3/8	1
14	101812301	Spring, Extension Return	1
15	101813001	Retaining Ring 0.25, Shaft	1
16	101917601	Lever, Choke	1
17	101837101	Hose, Air Intake	1
18	101971301	Clamp, 1.58" ID Hose	2
19	332	Washer, 1/4 Type A Narrow Flat	3

9

G

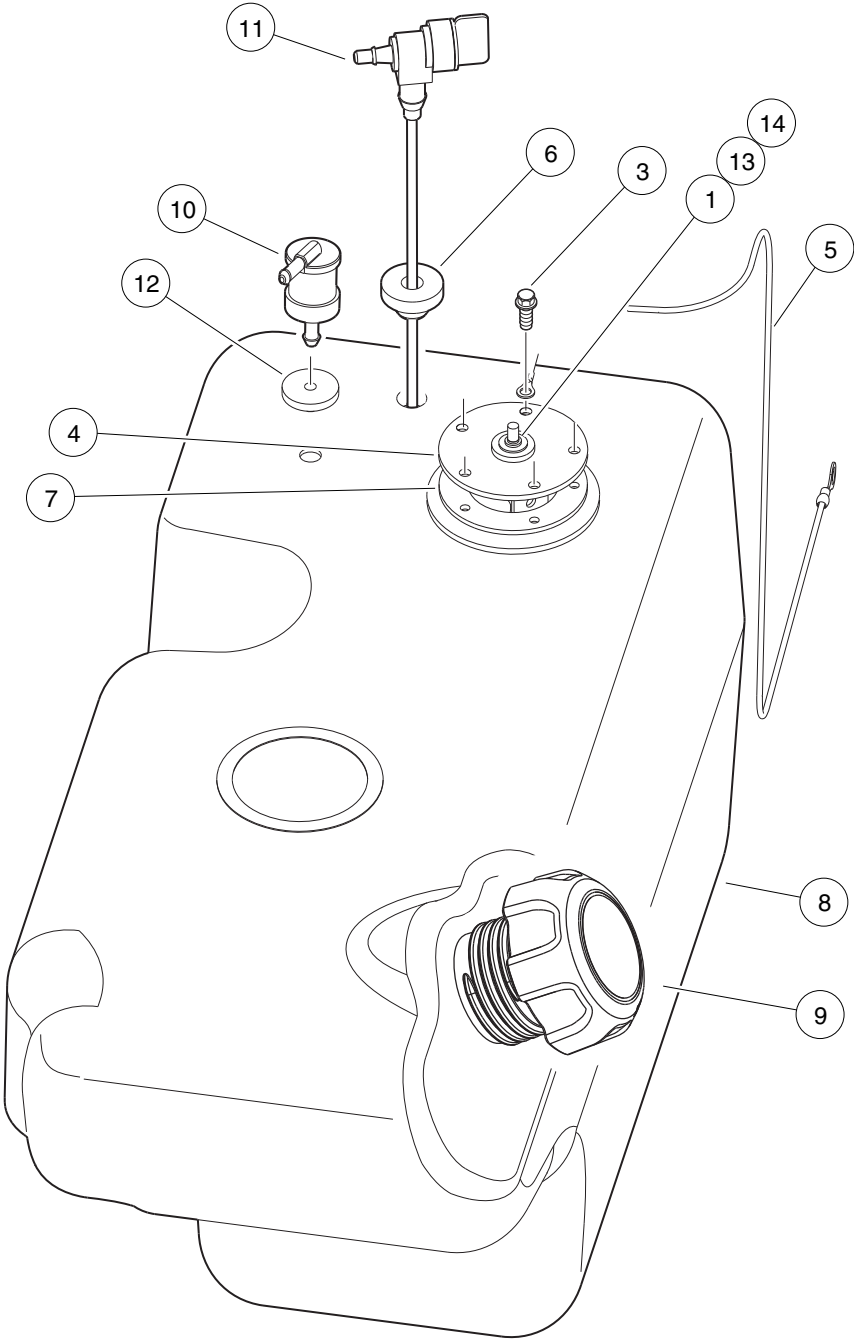


000338-001

INTAKE SYSTEM

ITEM	PART NO.	DESCRIPTION	QTY
		1 2 3 4	
1	101805701	Button Assembly, Choke (includes items 2 through 4)	1
2	101811401	Lever, Choke	1
3	101811501	Guide, Choke Lever	1
4	101856201	Compression Spring	1
5	101850301	Screw, #12-16 X 0.50 Washer-Head Hi-Lo	4
6	101917701	Choke Positioner	1
7	102190702	Kit, Air Duct Shield (includes items 8 through 10)	1
8	102185401	Tape, 3M VHB 4950	1
9	N/A	Shield, Air Duct	1
10	7973	Rivet, 3/16 X .400 Blind	1
11	103520301	Duct, Air Intake, Ds	1
12	1606	Rivet, 3/16 X .500 Alum Pop	2
13	183	Washer, #10 Type A Flat	4

9
G



000609-002

FUEL TANK (CALIFORNIA) WITH SENDING UNIT

ITEM	PART NO.	DESCRIPTION	QTY
		1 2 3 4	
1	1016	Lockwasher, #10 Split	1
2	103369101	Asm, Fuel Tank,side Fill,nano (includes items 3 through 12)	1
3	1013461	Screw, #10-16 Hex-Head Hi-Lo	5
4	1013462	Sending Unit, Fuel Level *	1
5	1015921	Wire Assembly #16 Black	1
6	102406701	Bushing, Line, Return	1
7	102522001	Gasket, Rubber	1
8	N/A	Tank, Fuel,side Fill,nano	1
9	103372101	Cap, Fuel Tank, Gas, Ratchet	1
10	103372201	Vent, Fuel Tank, W/ Valve	1
11	103372301	Valve, Fuel, 259mm	1
12	103374701	Grommet, Fuel Tank Vent	1
13	183	Washer, #10 Type A Flat	1
14	8797	Nut, #10-32 Brass Hex	1
		* Note: Must replace fuel sending unit gasket when servicing this component.	

9
G

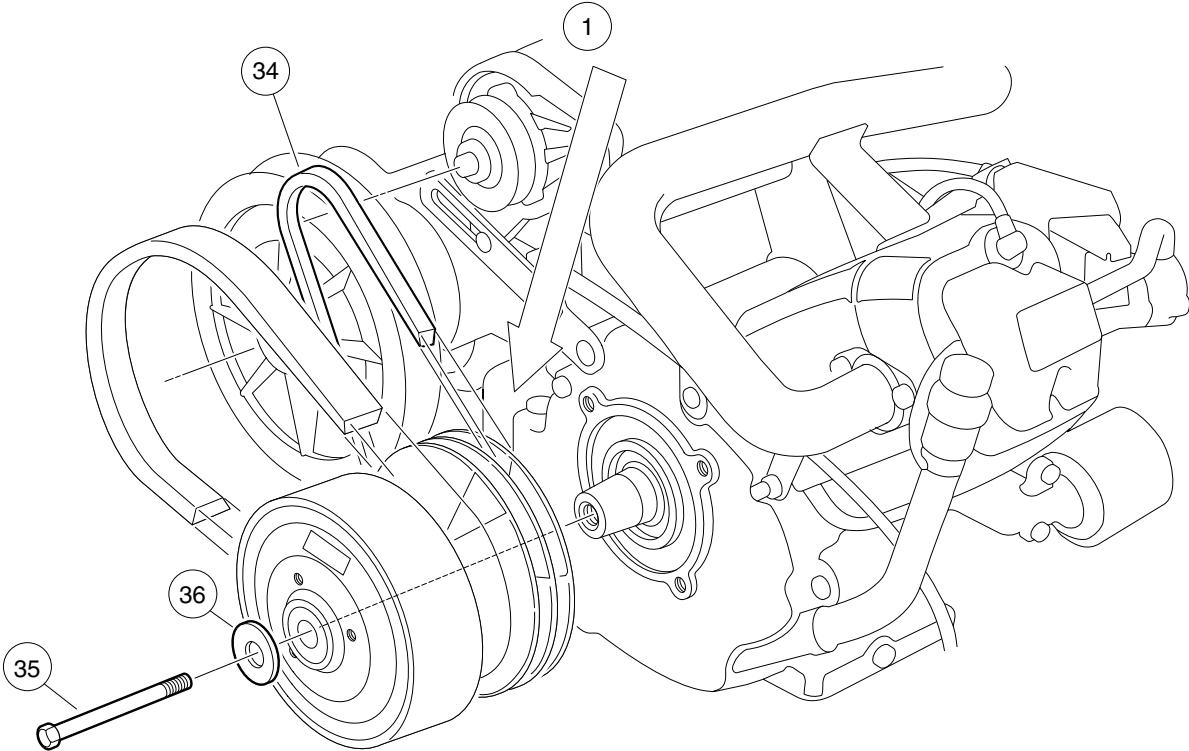
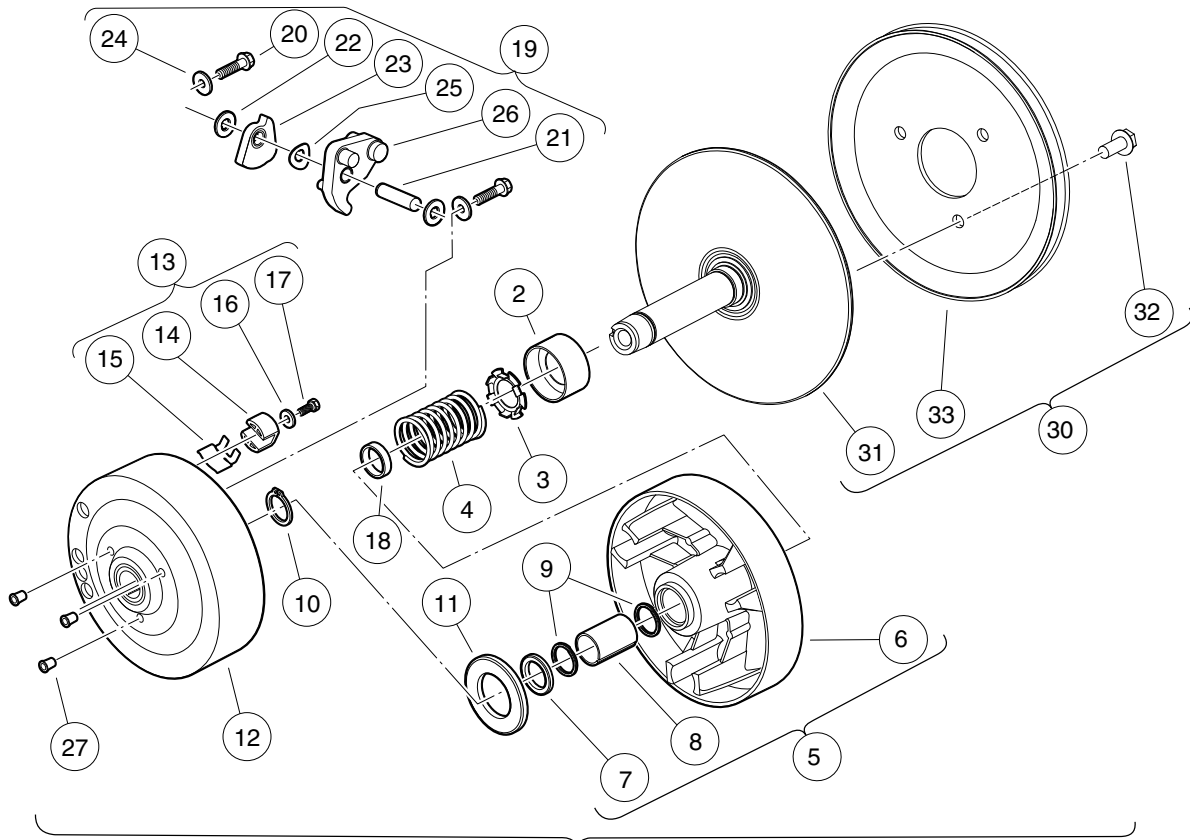
9

G

TORQUE CONVERTER

10

G



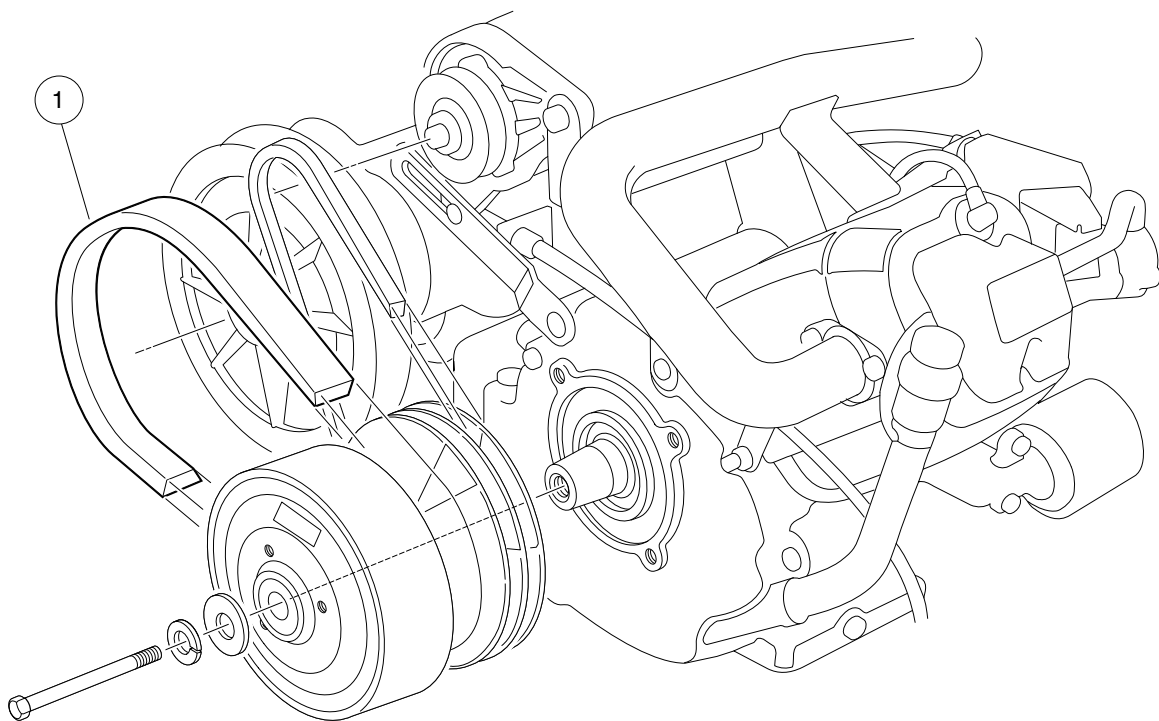
000217-001

DRIVE CLUTCH

10

G

ITEM	PART NO.	DESCRIPTION	QTY
		1 2 3 4	
1	101833902	Clutch, Drive (includes items 2 through 28)	1
2	1014049	Bearing, Idler	1
3	1014050	Retainer, Spring	1
4	1014051	Spring, Drive Clutch	1
5	1014052	Movable-Face Assembly (includes items 6 through 8)	1
6	N/A	Drive Clutch Movable Face	1
7	1014055	Retainer	1
8	N/A	Bushing, Split, Drive Clutch	1
9	1014056	Ring, Spiral Backup	2
10	1014057	Ring, 0.810" Internal Retaining	1
11	1014058	Thrust Washer	1
12	1014059	Drive Hub Assy, Drive Clutch	1
13	1014453	Kit, Drive Clutch Button (includes items 14 through 17)	1
14	1014062	Driver, Drive Clutch	3
15	1014287	Spring, Drive Button	3
16	183	Washer, #10 Type A Flat	3
17	8450	Screw, #10-24 X 0.50 Hex-Head	3
18	1016289	Spacer, Fixed Face Shaft	1
19	1016801	Kit, Drive Clutch Weight (includes items 20 through 26)	1
20	1014063	Screw, 1/4-20 X 1.00 Hex Head	6
21	N/A	Pin, 0.3752 X 1.50 Dowel	3
22	1014065	Washer, 0.38" ID Delrin Flat	6
23	N/A	Clutch Weight, Secondary	3
24	N/A	Washer	6
25	1016201	Washer, Wave	3
26	N/A	Weight, Primary	3
27	101925601	Plug, Drive Clutch	3
28	101929802	Kit, Fxd Face Dr Asm Fe290/350 (includes items 29 and 30)	1
29	N/A	Desiccant Bag (Not Shown)	1
30	101929801	Assembly, Fixed-Face Drive (includes items 31 through 33)	1
31	N/A	Fixed Face Assembly, Drive Clutch	1
32	1014288	Screw, 5/16-18 X 0.75 Thread-Forming	3
33	N/A	Pulley, Clutch	1
34	101916701	V-Belt	1
35	103345701	Screw 3/8-24x5.5 Hex Loc Ptch	1
36	808	Washer, 3/8 Type B Flat	1
		Note: Item 29 not shown.	



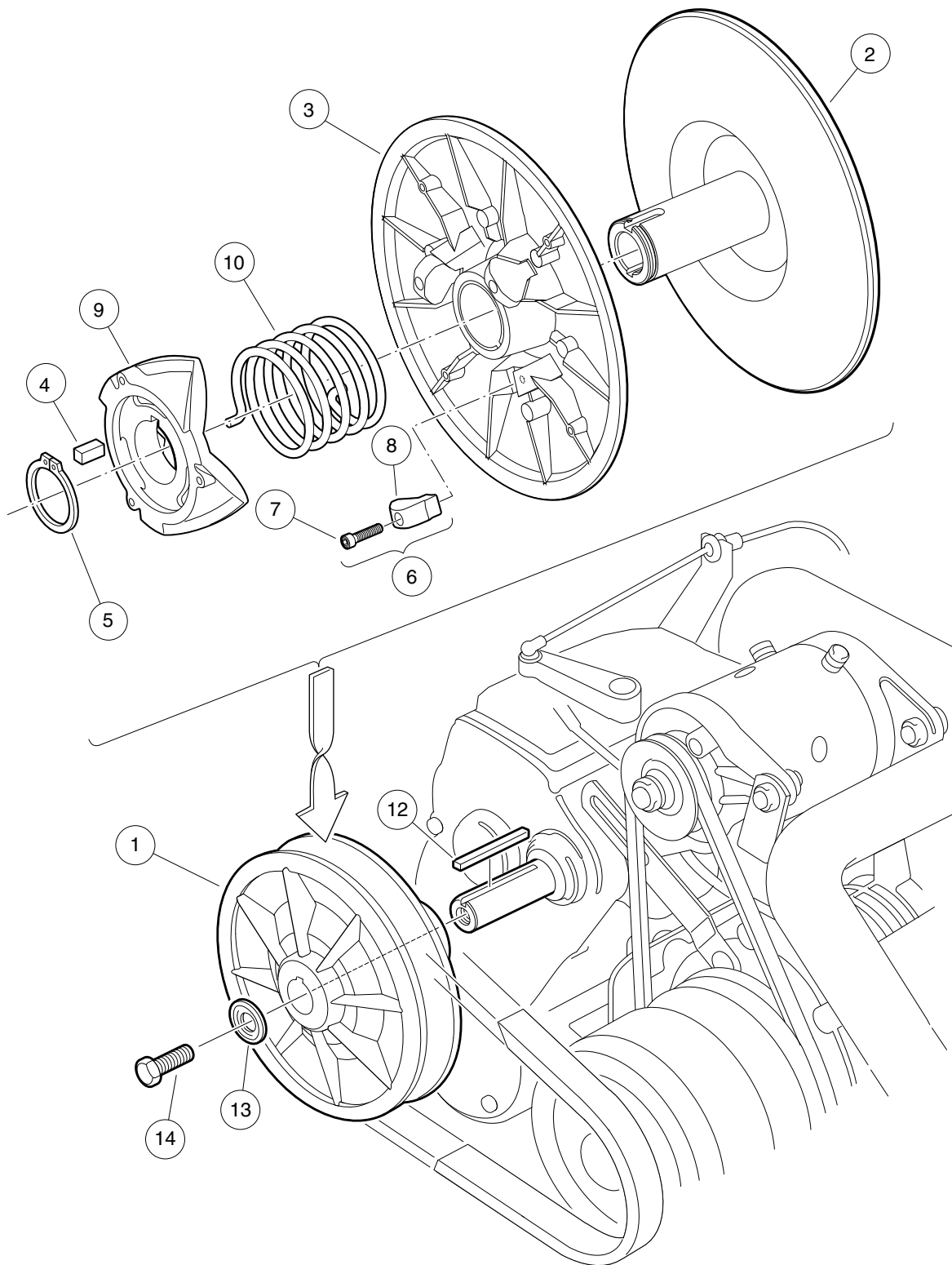
000218-001

DRIVE BELT – FE350

ITEM	PART NO.	DESCRIPTION	QTY
1	1017188	<div style="display: flex; justify-content: space-between; margin-bottom: 5px;"> 1 2 3 4 </div> Belt, Drive (FE350)	1

10

G



000219-001

DRIVEN CLUTCH

ITEM	PART NO.	DESCRIPTION	QTY
		1 2 3 4	
1	101834001	Assembly, Driven Clutch (includes items 2 through 10)	1
2	1014070	Fixed Face Assy, Driven Clutch	1
3	1014072	Movable-Face Assembly with Bushing	1
4	1014078	Key, Driven Clutch	1
5	1014080	Ring, Retaining	1
6	1014454	Kit, Driven Clutch Button (includes items 7 and 8)	1
7	1012836	Screw, #8-32 X 3/4 Socket-Head Cap	3
8	1014076	Button, Drive	3
9	1017686	Cam, Driven Clutch	1
10	101836201	Spring, Driven Clutch, Reversed	1
11	AM10419	Kit, Clutch Repair (includes items 12 through 14)	1
12	101833401	Key, 3/16 Sq X 1.50"	1
13	102155801	Washer, Driven Clutch	1
14	102242101	Screw, 5/16-18 X 3/4 Hex-Head with Patch	1

10

G

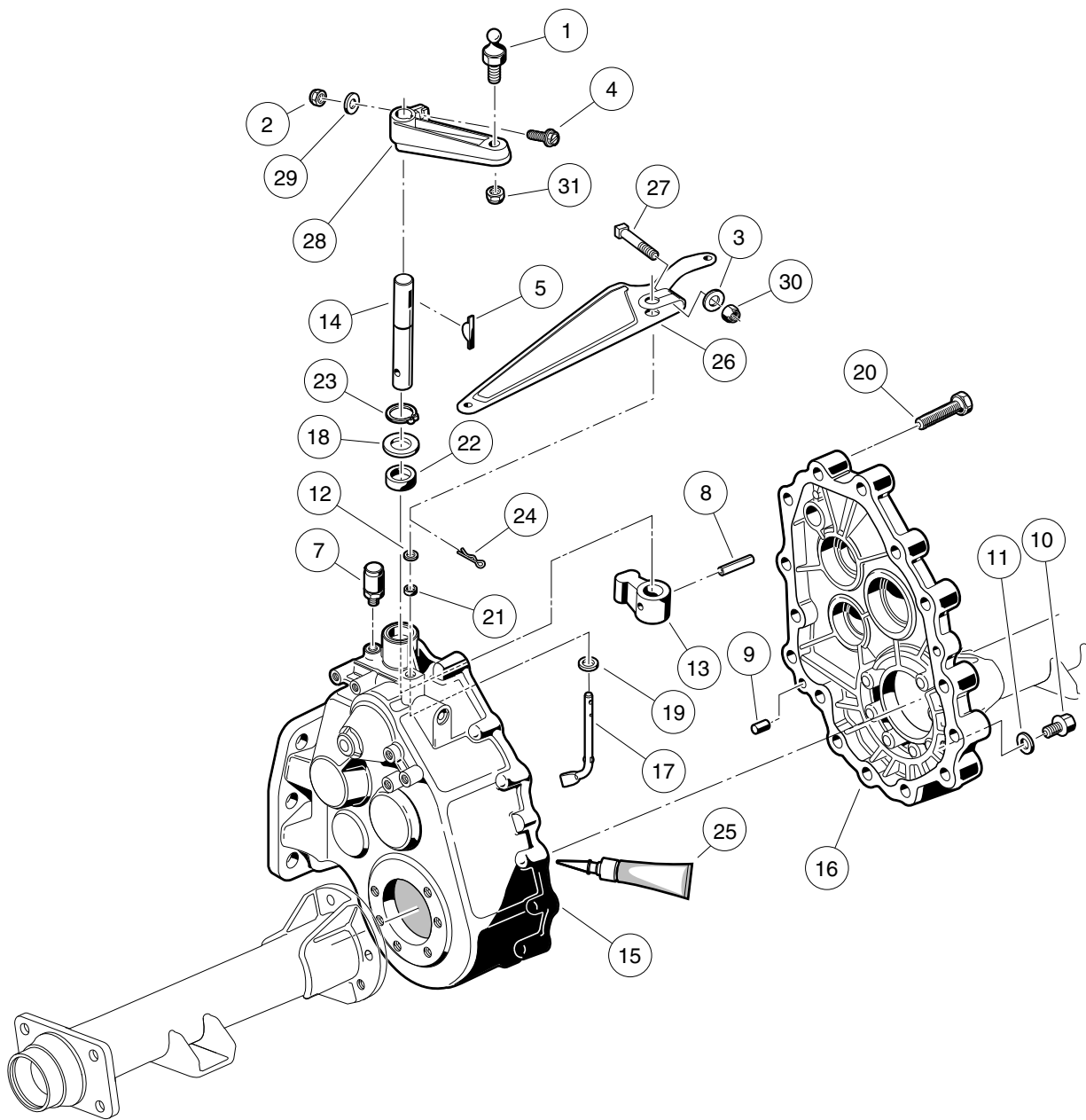
10

G

UNITIZED TRANSAXLE AND FORWARD/REVERSE SHIFTER

11

G



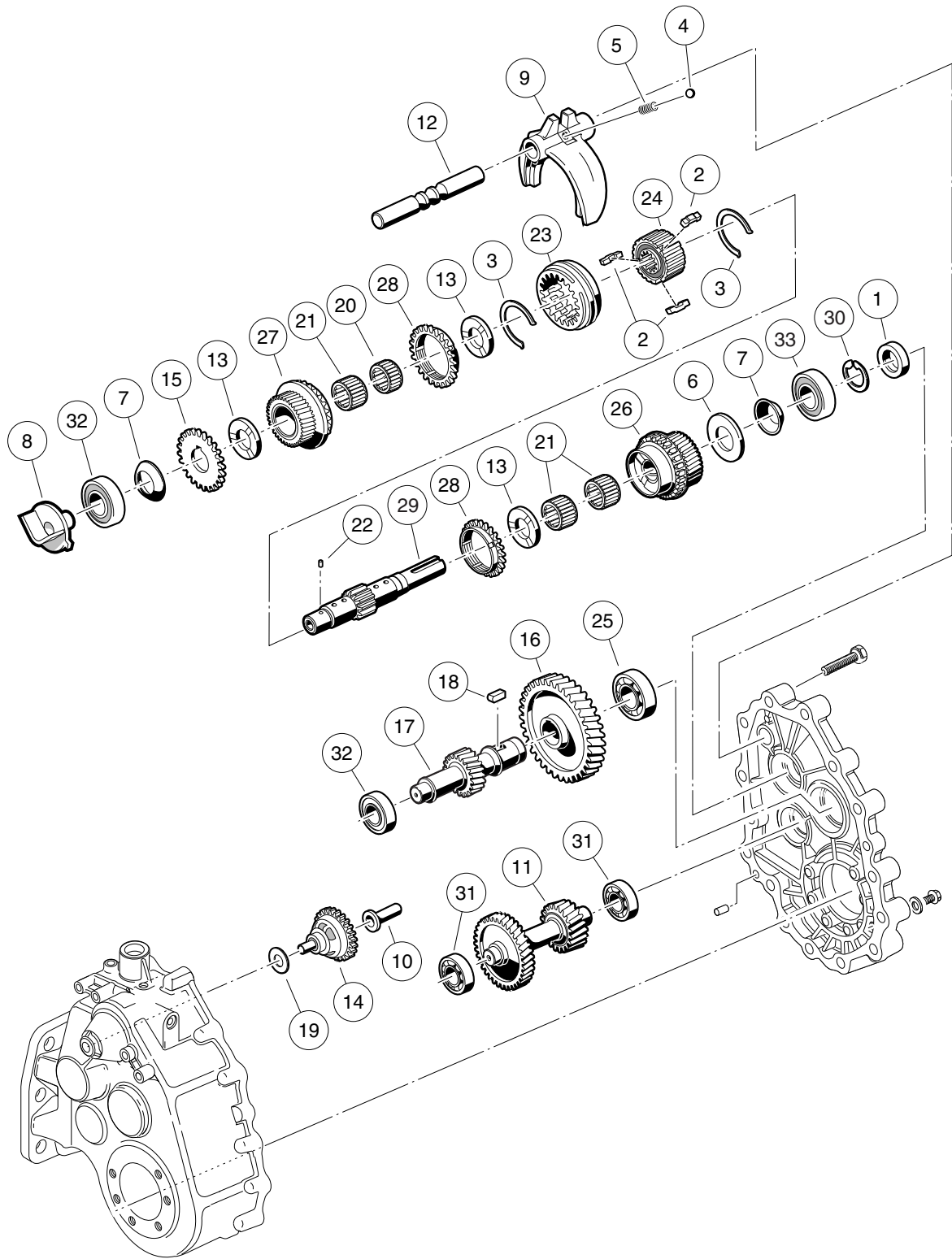
000220-004

TRANSAXLE – GASOLINE VEHICLES, GEAR CASES AND BRACKETS

ITEM	PART NO.	DESCRIPTION	QTY
		1 2 3 4	
1	1010954	Stud, 1/4-28 X 0.560 Ball	1
2	1013061	Locknut, #10-32 Nylon Insert	1
3	1014007	Washer, 1/4 Flat	1
4	1017082	Screw, #10-32 X 0.75, Hex-Head Machine	1
5	1017231	Key, Woodruff	1
6	101833601	Transaxle, 11.77 Ratio (includes items 7 through 25)	1
7	1012711	Breather	1
8	1012752	Roll Pin	1
9	1012896	Pin, Dowel	2
10	1013760	Fill Plug	2
11	1016432	Gasket, Drain Plug	1
12	1016513	Washer, M6 Flat	1
13	101890101	Lever, Change	1
14	101890201	Shaft - Change	1
15	101890501	Gear Case (driver side)	1
16	101890601	Gear Case (passenger side)	1
17	101891301	Arm Pivot	1
18	101892901	Washer	1
19	101893801	Washer	1
20	101926901	Screw, M8-1.25 X 40mm Hex-Head	15
21	101927101	Seal, Oil	1
22	101927201	Seal, Oil	1
23	101927301	Snap Ring	1
24	101928601	Pin, Cotter	1
25	101928701	Liquid Gasket (Transaxle case)	1
26	101834801	Arm, Governor	1
27	101886101	Screw, 1/4-20 X 1.00 Square-Head	1
28	102515401	Lever, Transmission Shift	1
29	183	Washer, #10 Type A Flat	1
30	8233	Locknut, 1/4-20 Nylon Insert	1
31	8717	Locknut, 1/4-28 Nylon Insert	1

11

G



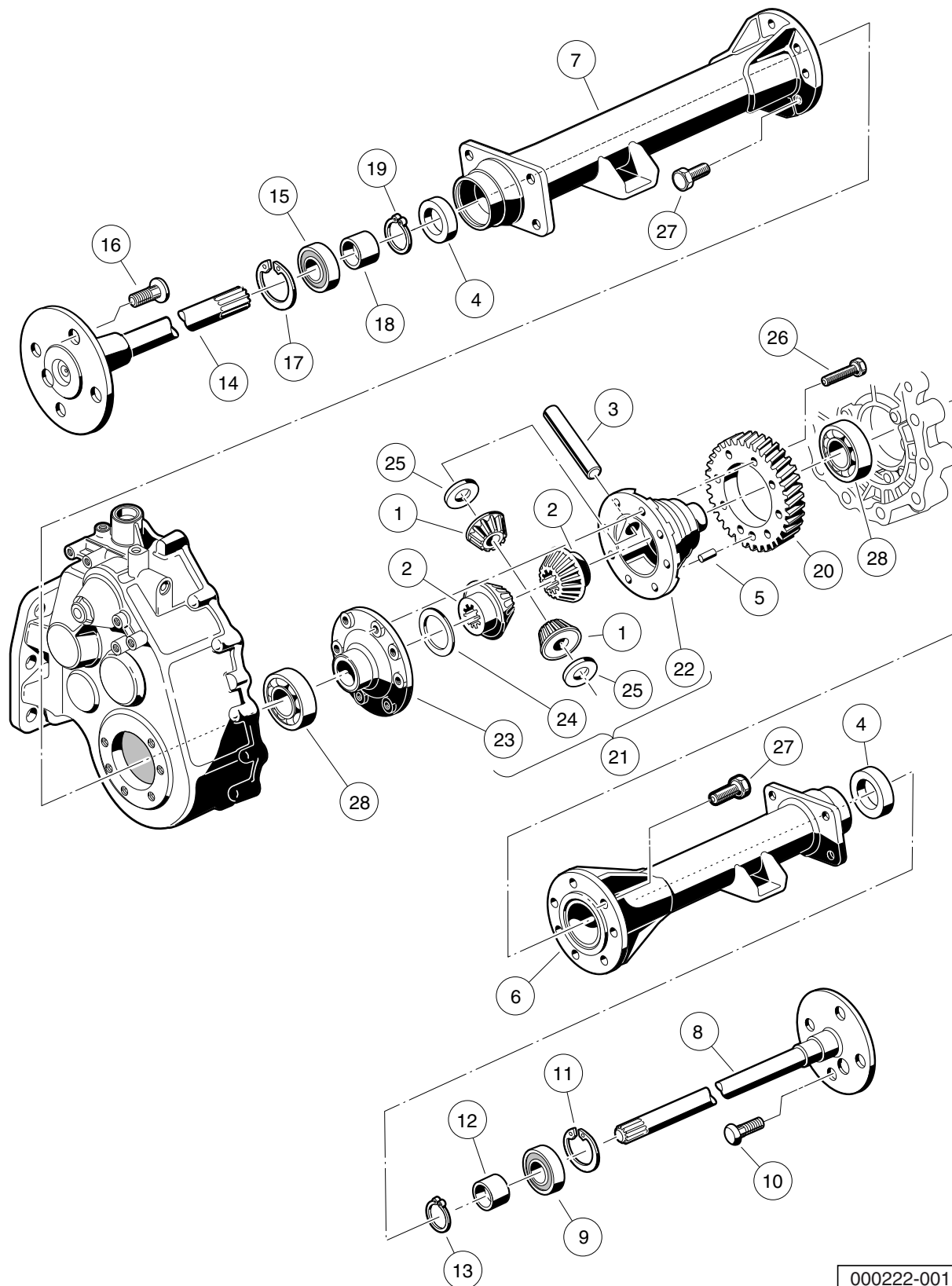
000221-001

TRANSAXLE – GASOLINE VEHICLES, TRANSMISSION AND GEAR REDUCTION

11

G

ITEM	PART NO.	DESCRIPTION	QTY
		1 2 3 4	
1	1012714	Oil Seal	1
2	1012740	Synchro Insert	3
3	1012741	Synchro Spring	2
4	1012747	Shifter Ball	1
5	1012748	Shifter Spring	1
6	1016337	Washer, Thrust	1
7	1016338	Washer, Spring	2
8	101889401	Guide	1
9	101890001	Fork - Shift	1
10	101891601	Sleeve, Governor	1
11	101891901	Gear, Cluster	1
12	101892001	Rod, Shift	1
13	101892201	Plate, Thrust	3
14	101892301	Governor Assembly	1
15	101892401	Gear, Spur	1
16	101892501	Gear, Helical (61 Tooth)	1
17	101892601	Gear, Helical (17 Tooth)	1
18	101893201	Key Sunk	1
19	101893901	Washer	1
20	101927501	Needle Bearing	1
21	101927601	Needle Bearing	3
22	101927701	Pin, .116" Dia X 0.264 Dowel	1
23	101927901	Sleeve, Synchro	1
24	101928001	Hub, Synchro Clutch	1
25	101928101	Bearing, Ball	1
26	101980801	Gear Assembly, 16-Degree Synchro (25 Tooth)	1
27	101980901	Gear Assembly, 16-Degree Rear Synchro (28 Tooth)	1
28	101981001	Ring, 16-Degree Synchronizer	2
29	102453001	Shaft, Trans, with Circlip	1
30	102453101	Circlip	1
31	7335	Bearing	2
32	AM10080	Bearing, Ball, Sealed	2
33	AM10081	Bearing, Ball, Sealed	1
Note: Items listed on this page are components of the unitized transaxle.			

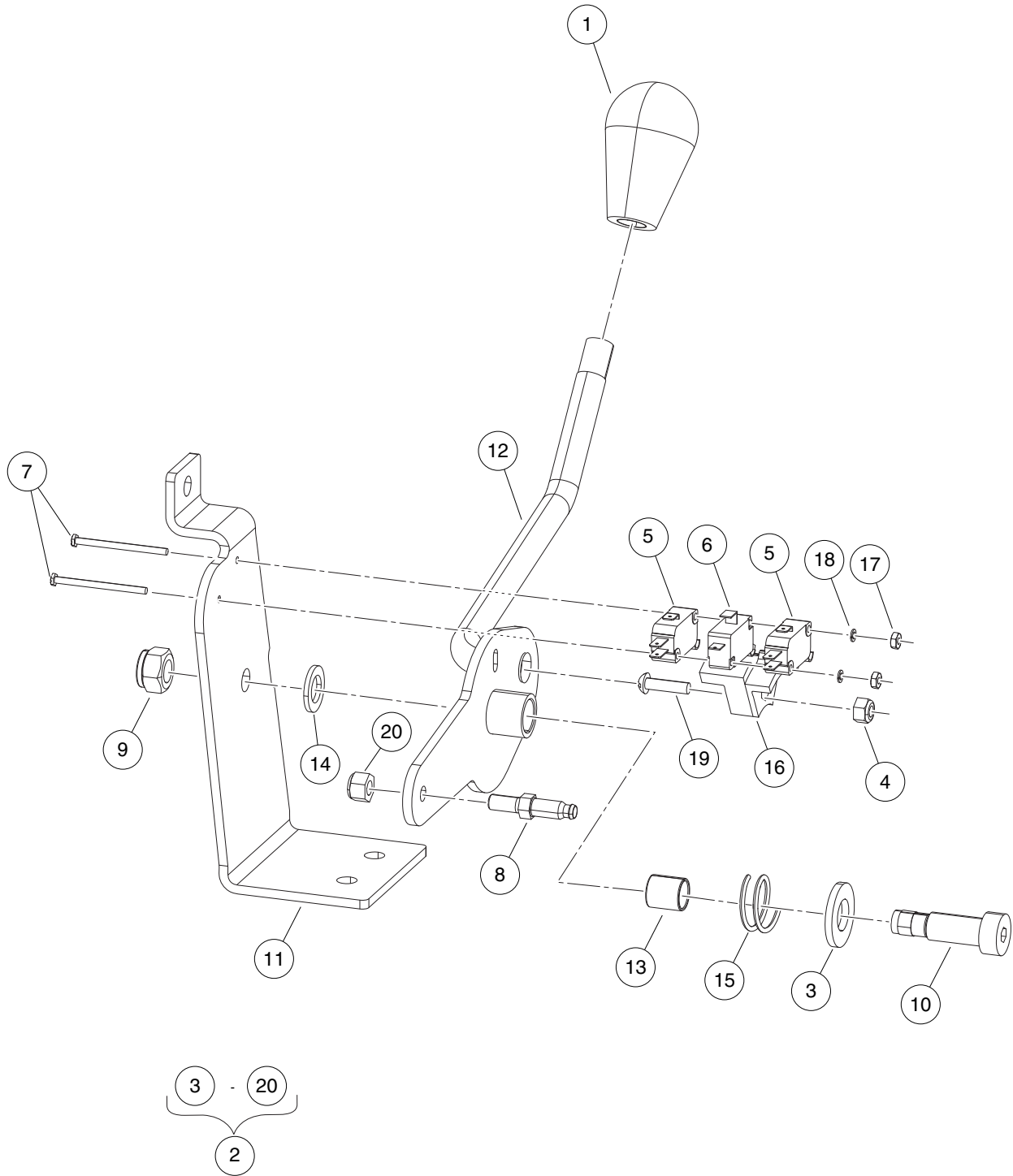


000222-001

TRANSAXLE – GASOLINE VEHICLES, DIFFERENTIAL AND AXLES

ITEM	PART NO.	DESCRIPTION	QTY
		1 2 3 4	
1	1013770	Differential Idler Gear	2
2	1013771	Gear, Differential	2
3	1013772	Pin, Differential	1
4	1013794	Axle Shaft Oil Seal	2
5	1014193	Dowel Pin	1
6	101890901	Pipe	1
7	101891001	Pipe	1
8	101891401	Axle Assembly, Passenger Side (includes items 9 through 13)	1
9	1011291	Outer Axle, Tube Bearing	1
10	1013787	Lug Stud	4
11	1013792	Circlip Type C	1
12	1014207	Bushing	1
13	1016672	Retaining Ring	1
14	101891501	Axle Assembly, Driver-Side (includes items 15 through 19)	1
15	1011291	Outer Axle, Tube Bearing	1
16	1013787	Lug Stud	4
17	1013792	Circlip Type C	1
18	1014207	Bushing	1
19	1016672	Retaining Ring	1
20	101892701	Gear, Helical	1
21	101910501	Kit, Differential Gear Case (includes items 22 through 25)	1
22	1013768	Differential Gear Case, Left-Hand	1
23	1013769	Differential Gear Case, Right-Hand	1
24	1013773	Plate, Thrust (Differential Gear)	1
25	1013774	Plate, Thrust (Idler Gear)	2
26	101928301	Screw, M8-1.25 X 35mm Hex Head	8
27	102031901	Bolt, M10 X 1.5 X 30mm	14
28	7330	Inner Axle Tube Bearing	2

11
G

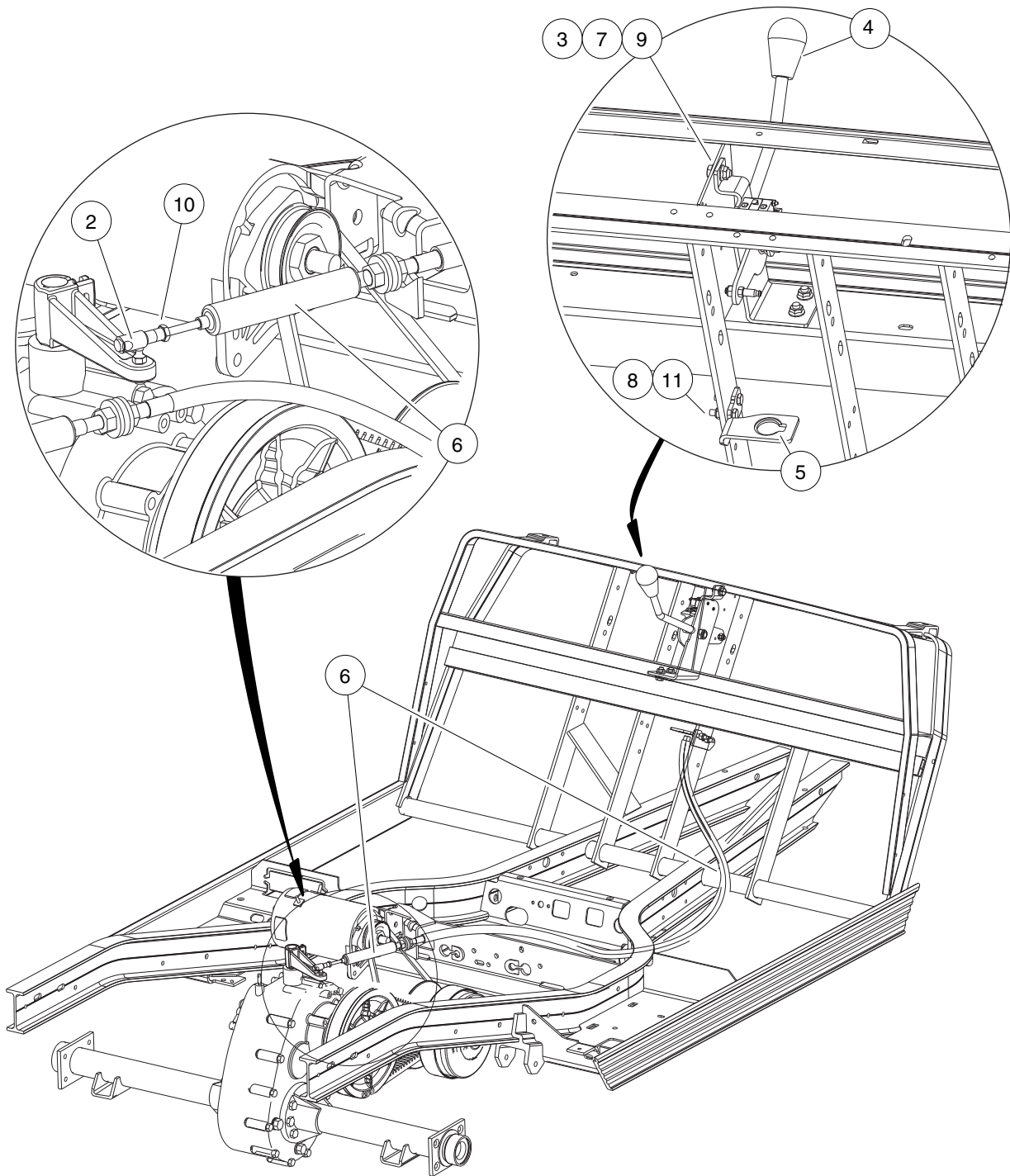


000563-001

FORWARD/REVERSE SHIFTER

ITEM	PART NO.	DESCRIPTION	QTY
		1 2 3 4	
1	102376001	Knob, Fnr	1
2	102969901	Asm, Shifter, FNR (includes items 3 through 20)	1
3	1010028	Washer, 1/2 Type A Flat	1
4	1013061	Locknut, #10-32 Nylon Insert	1
5	1014807	Switch, Limit	2
6	1014808	Switch, Limit	1
7	1015878	Screw, #4-40 Hex Head Machine	2
8	102526201	Stud, Thread, 1/4-28	1
9	102616701	Locknut, M10x1.5 Nylon Insert	1
10	102684602	Shoulder Bolt, M12 X 25.0	1
11	102969401	Bracket, Shifter, FNR	1
12	102969801	Weldment, Shift Lever, FNR	1
13	103173301	Bushing, Greaseless, 12mm Id	1
14	103177401	Washer, Thrust, Shifter, FNR	1
15	103192701	Spring, Comp, .97 Od X.75 L	1
16	103369501	Cam, Limit Switch, Fnr Shifter	1
17	8057	Nut, #4-40 Hex Machine	2
18	8058	Lockwasher, #4 Split	2
19	8104	Screw, #10-32 X .75 Rd Hd Mach	1
20	8717	Locknut, 1/4-28 Nylon Insert	1

11
G



000573-001

FORWARD/REVERSE SHIFTER CABLE

ITEM	PART NO.	DESCRIPTION	QTY
		1 2 3 4	
1	N/A	Installation, Shifter, FNR (includes items 2 through 11)	1
2	1012333	Joint, #10-32 Ball	1
3	101963401	Locknut, 5/16-18 Hex Flange	3
4	102376001	Knob, Fnr	1
5	103295101	Brkt, Spt, Cable End, Fnr	1
6	103295201	Cable, Trans, Ball End, 1550mm	1
7	1241	Washer, 5/16 Type A Flat	3
8	304	Screw, 1/4-20 X 1.0 Hex-Head Cap	2
9	7173	Screw, 5/16-18 X 0.75 Hex-Head Cap	3
10	7893	Nut, #10-32 Hex	1
11	8233	Locknut, 1/4-20 Nylon Insert	2

11

G

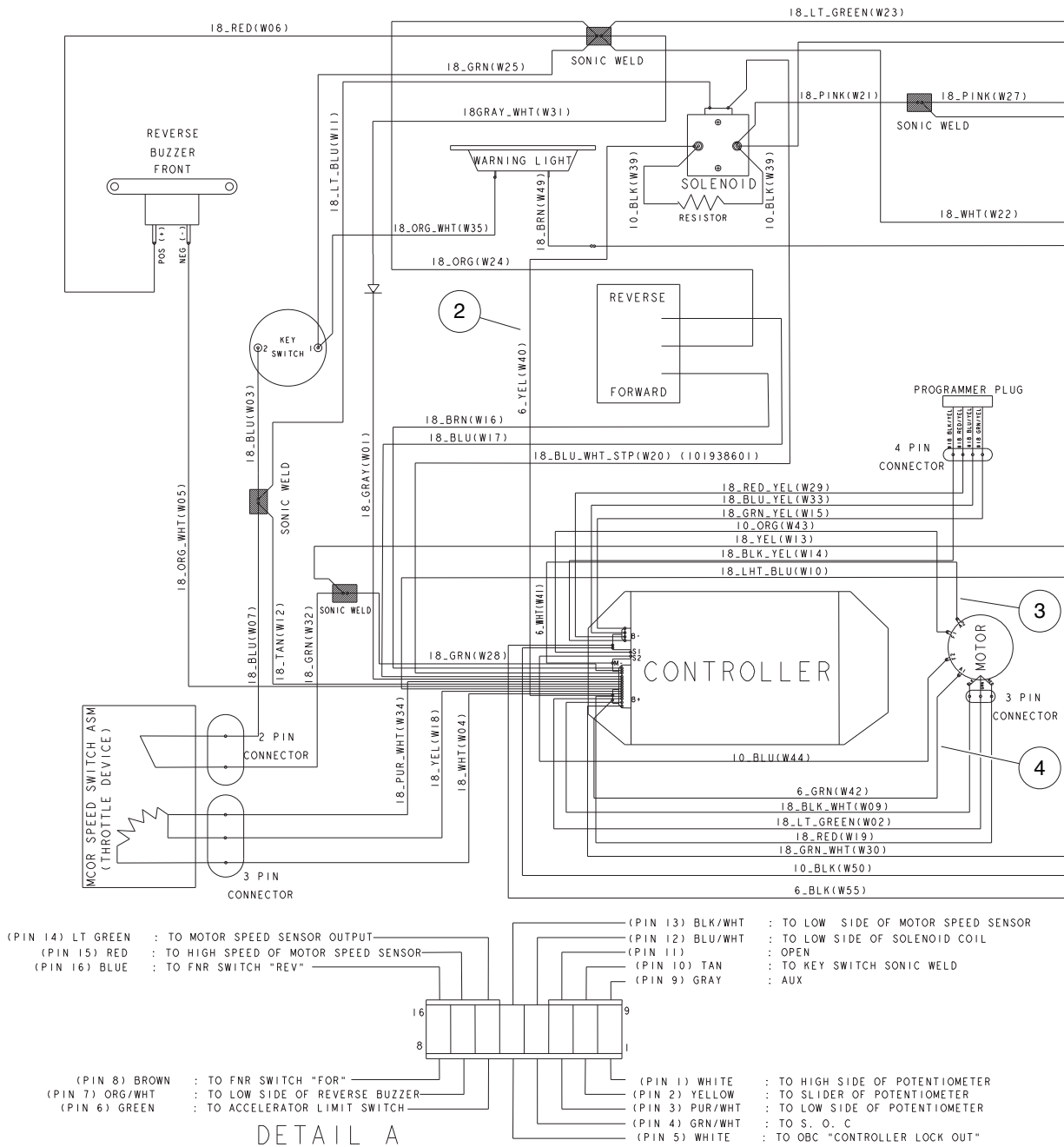
11

G

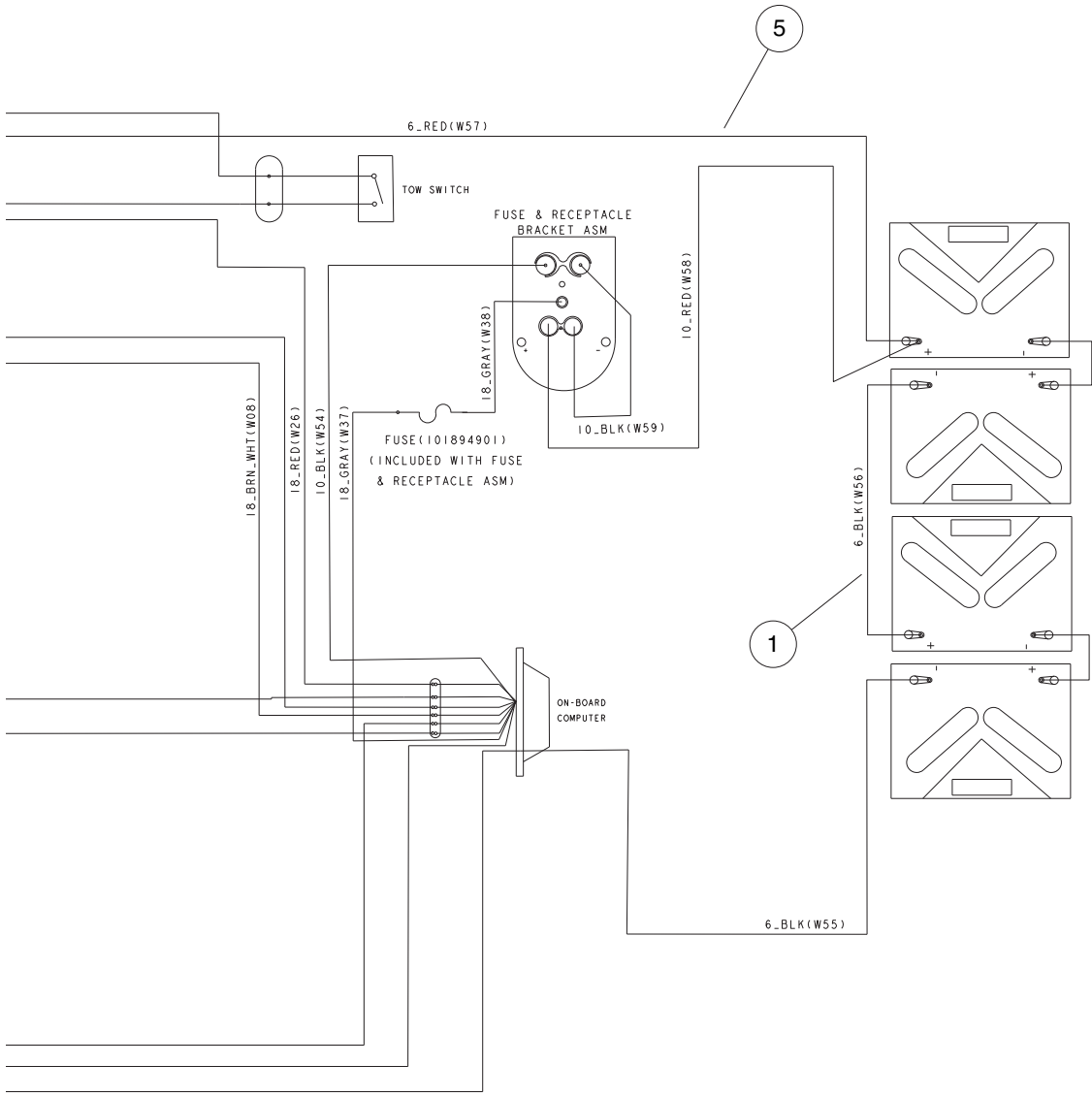
ELECTRICAL SYSTEM – ELECTRIC VEHICLES

12

E



000606-002



000606-002

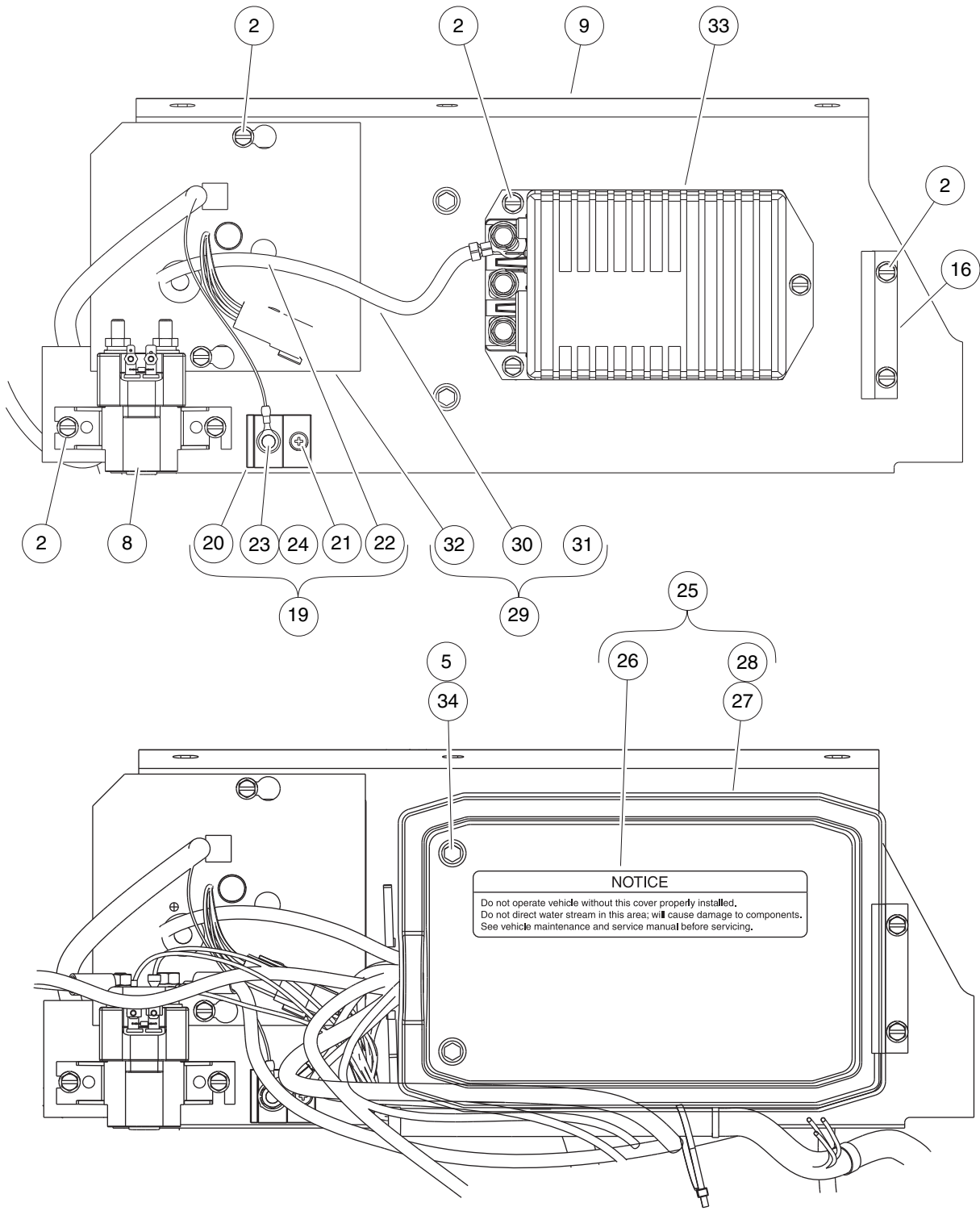
See previous two pages for illustration.

WIRING – ELECTRIC VEHICLE

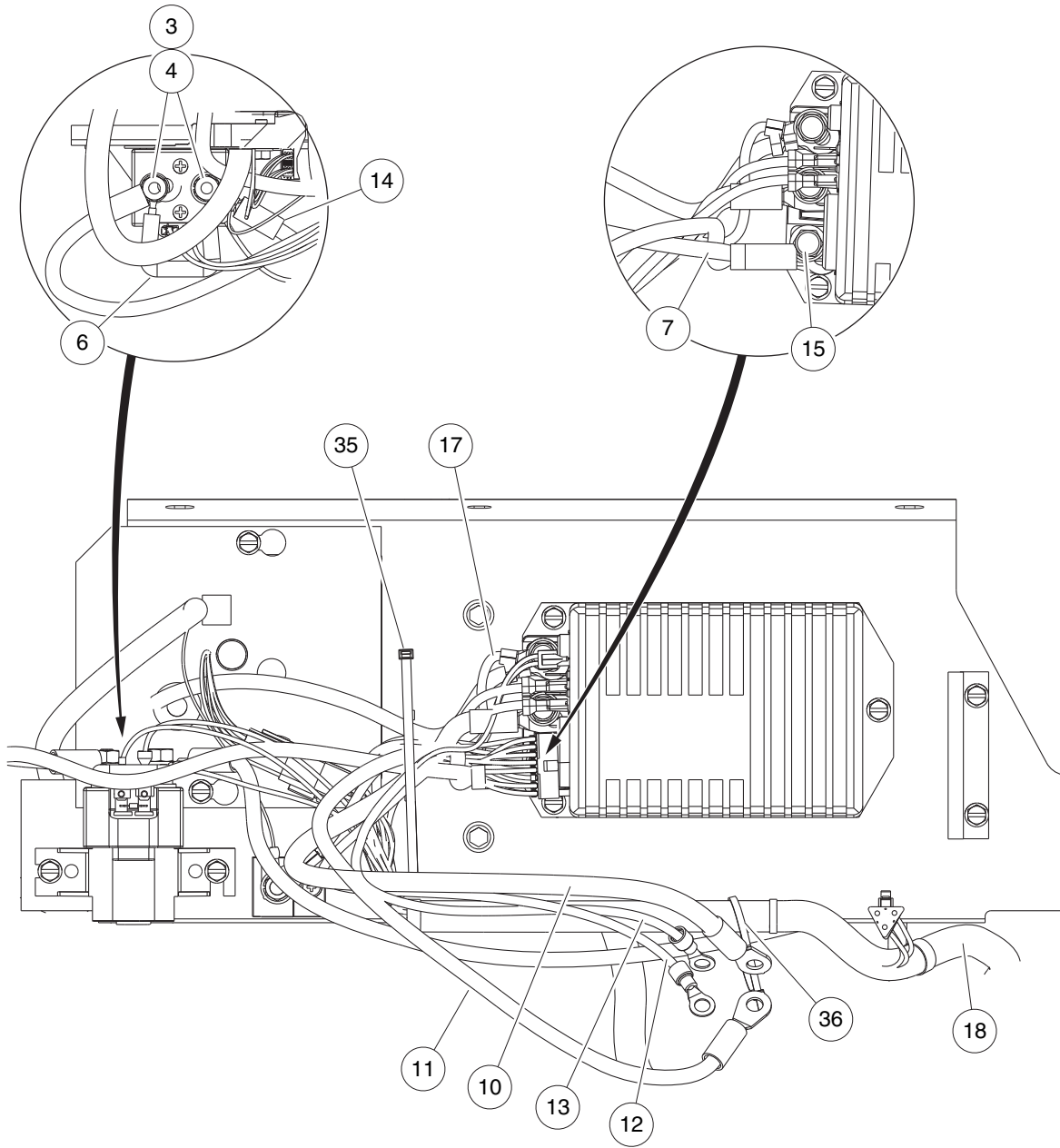
ITEM	PART NO.	DESCRIPTION	QTY
		1 2 3 4	
1	101795701	Asm, Wire, #6blk 13in	5
2	101903001	Wire Assembly #6 Yellow	1
3	101968701	Wire Assy, #6 White	1
4	101978001	Wire Assy, #6 Green	1
5	102199601	Wire Assy, #6 Red	1
6	103221801	Asm, Wire Harness, Electric	1

12

E



000607-002



000607-002

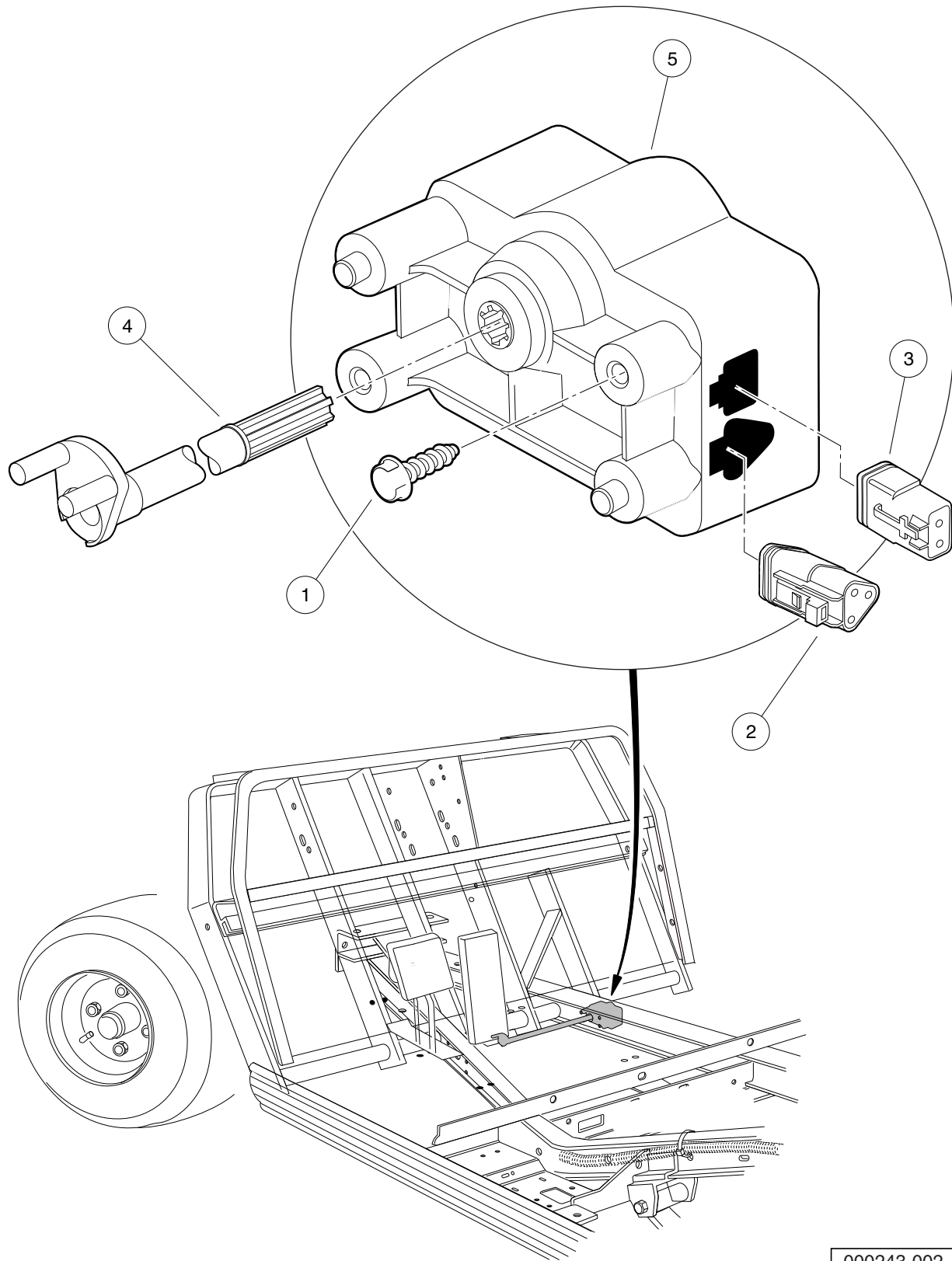
See previous two pages for illustration.

COMPUTER, CONTROLLER, AND SOLENOID

ITEM	PART NO.	DESCRIPTION	QTY
		1 2 3 4	
1	N/A	Asm, Electrical Component Box (includes items 2 through 31)	1
2	1012285	Screw, 1/4 X 0.625 Hex-Head	9
3	1012528	Nut, M8-1.25 Hex	2
4	1013734	Lockwasher, 8mm Split	2
5	1014063	Screw, 1/4-20 X 1.00 Hex Head	2
6	1014947	Resistor Assembly	1
7	101903001	Wire Assembly #6 Yellow	1
8	101908703	Solenoid, 48v W/ Diode	1
9	101965202	Plate, Component Mounting	1
10	101968701	Wire Assy, #6 White	1
11	101978001	Wire Assy, #6 Green	1
12	101978101	Asm, Wire, #10 Orange 5/16	1
13	101978201	Wire Assy, #10 Blue	1
14	102199601	Wire Assy, #6 Red	1
15	102240501	Bolt, Controller, Terminal	3
16	****	Extrusion, Cover Support	1
17	102263601	Wire Assy, #10 Black	1
18	103221801	Asm, Wire Harness, Electric	1
19	103282701	Kit, Terminal Block Ground	1
20	103316901	Cover Asm - Controller (includes items 21 through 23)	1
21	101931501	Decal, Component Cover	1
22	103316701	Cover - Controller, Deep	1
23	103316801	Gasket - Controller Cover	1
24	N/A	Kit, OBC, DS and Util IQ (includes items 25 through 27)	1
25	103282601	Wire Assembly Black #10	1
26	N/A	Instr Obc Ds Pre 01-28-2007	1
27	103403101	Asm, Obc, Iq, V3.0	1
28	103390201	Controller, Modified, 48v Iq	1
29	332	Washer, 1/4 Type A Narrow Flat	2
30	8639	Tie Wrap, 11" Nylon	1
31	8990	Tie Wrap, 8" Nylon	1
		**** Special order item available upon request.	

12

E



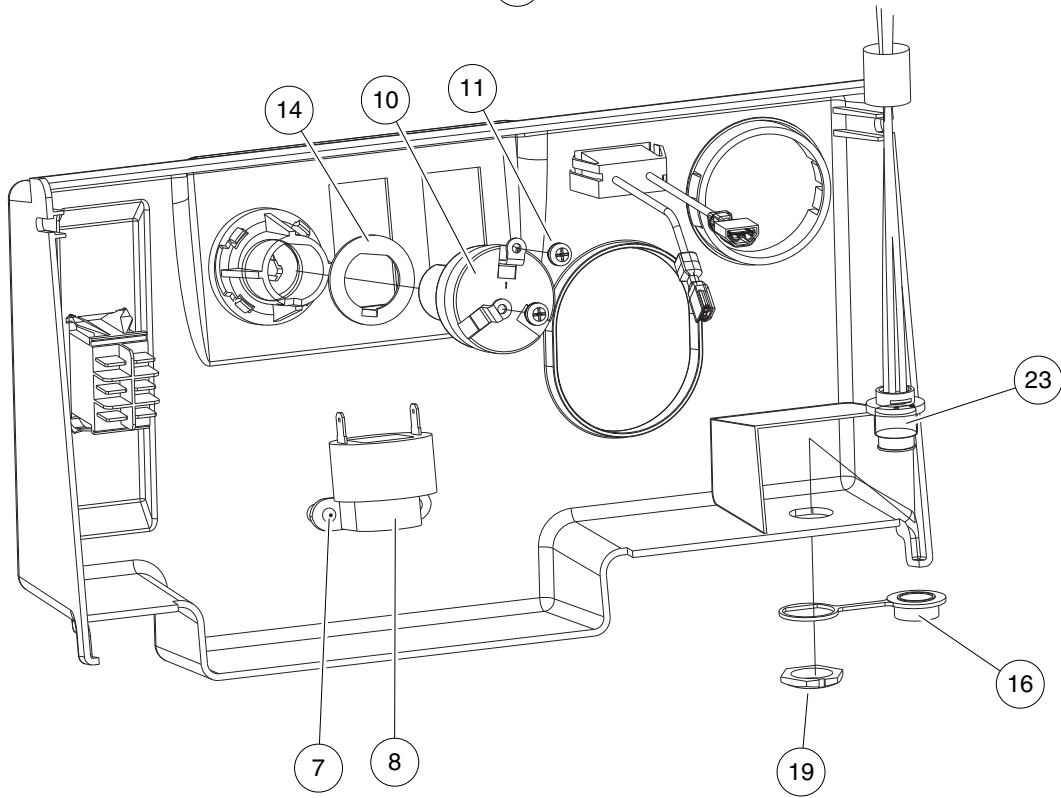
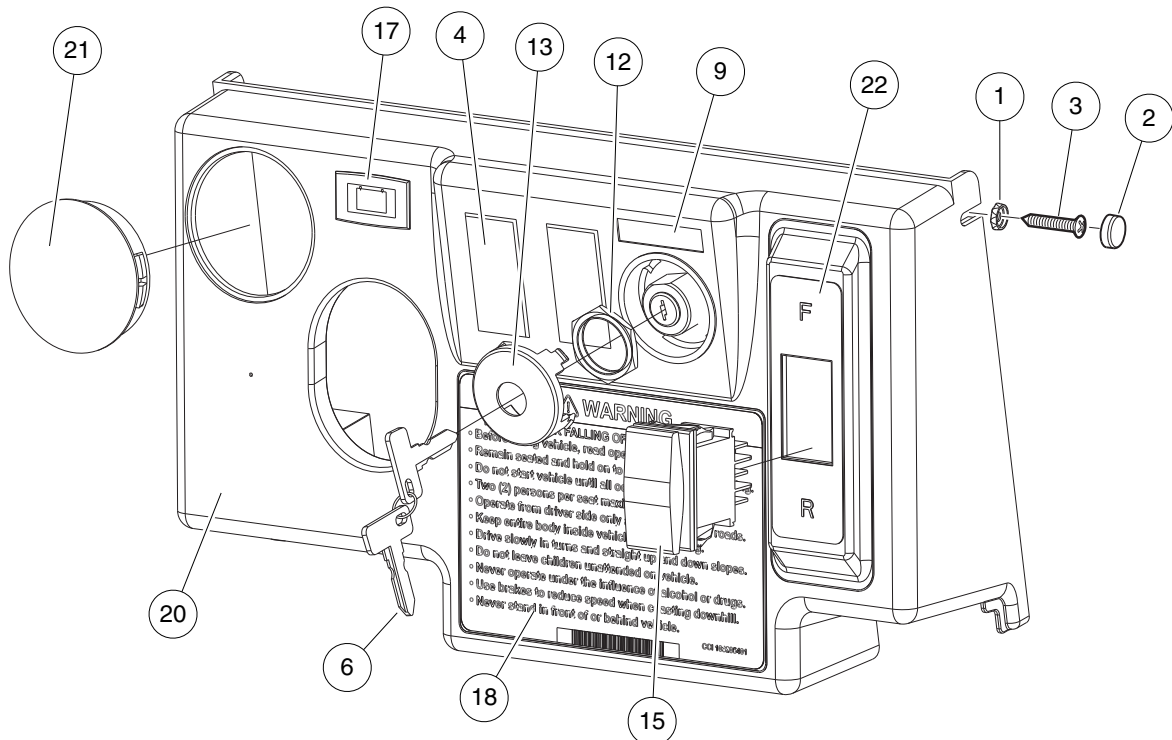
000243-002

MOTOR CONTROLLER OUTPUT REGULATOR (MCOR)

ITEM	PART NO.	DESCRIPTION	QTY
		1 2 3 4	
1	1015752	Screw, #12-16 X 0.625 Hi-Lo	2
2	101920101	Kit, 3-Pin Wedge Lock	1
3	101936801	Kit, 2-Pin Wedge Lock	1
4	102101001	Bar, Drive, Cast	1
5	102101101	MCOR	1

12

E



000577-006

INSTRUMENT PANEL AND ELECTRICAL COMPONENTS

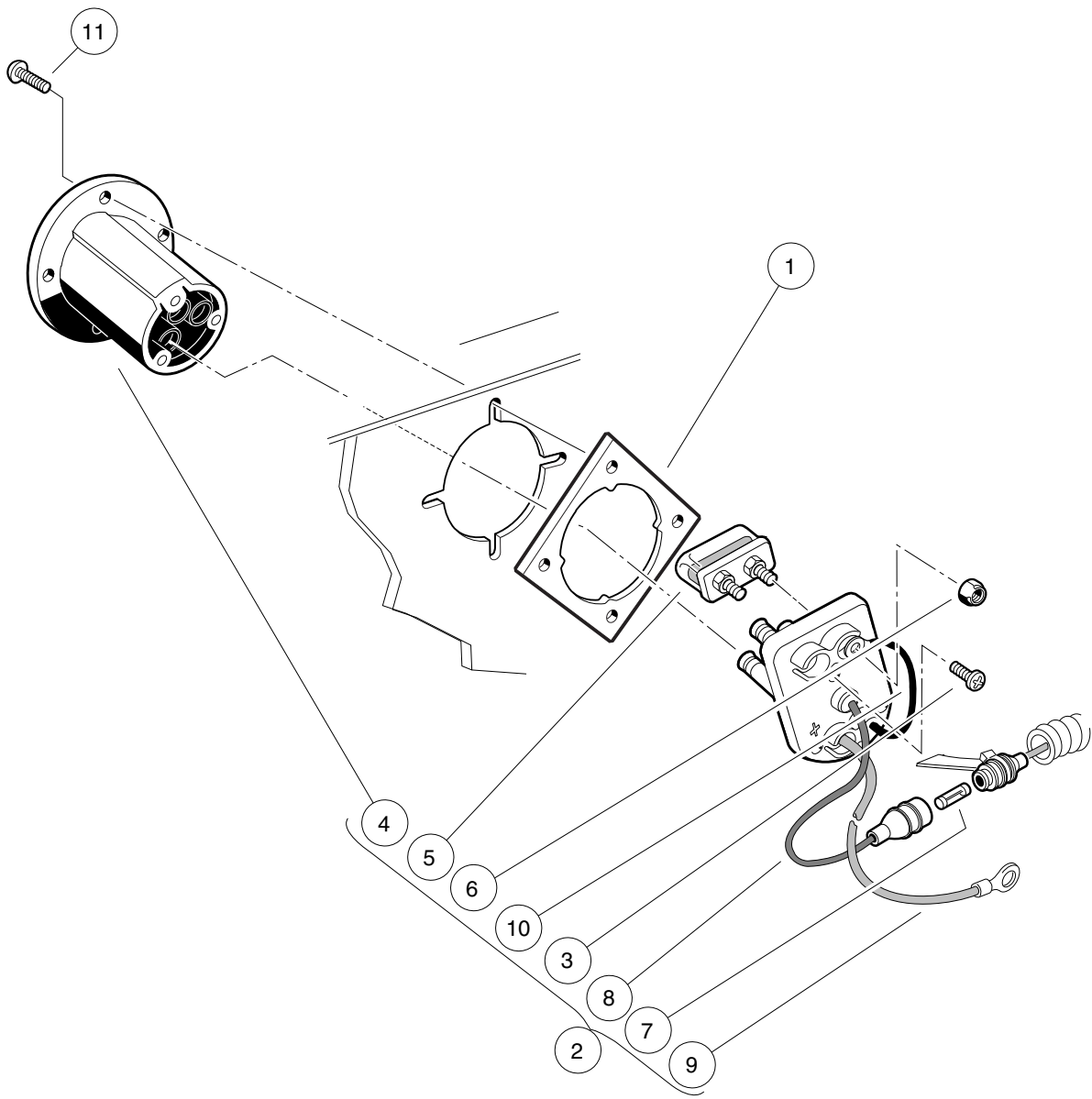
ITEM	PART NO.	DESCRIPTION	QTY
		1 2 3 4	
1	1011382	Washer, #10 Pan-Head Screw	2
2	1013494	Cover, Screw Head	2
3	1015528	Screw, #10 x 1-1/4 Phillips Head	2
4	103180101	Cover, Hole, Switch, Rocker	2
5	N/A	Asm, Dash, Elec (Instrument Panel) (includes items 6 through 23)	1
6	1012505	Keys (set of 2)	1
7	1016849	Screw, #4-24 X 0.33 Pan-Head Machine	2
8	1016851	Buzzer, Reverse (9-48 VDC)	1
9	101825101	Decal, Off/On	1
10	101826201	Key Switch, On/Off	1
11	101830601	Screw and Washer Assembly	2
12	101830701	Nut, Key Switch	1
13	101834502	Cap, Black Key Switch	1
14	101851101	Washer, Key Switch	1
15	101856002	Switch, Rocker, Single-Pole	1
16	102196901	Dust Cap	1
17	102508701	Light, Battery	1
18	102518001	Decal, Operating Instr, Elec	1
19	102572401	Nut, Diagnostic Port, Prec	1
20	102977002	Panel, Dash, Center, Gas (Instrument Panel)	1
21	103198301	Plug, Hole, Round, 2.0 In	1
22	103210301	Decal, Forward/Reverse, Electric	1
23	103218601	Harness, Diagnostic Port	1

12

E

12

E



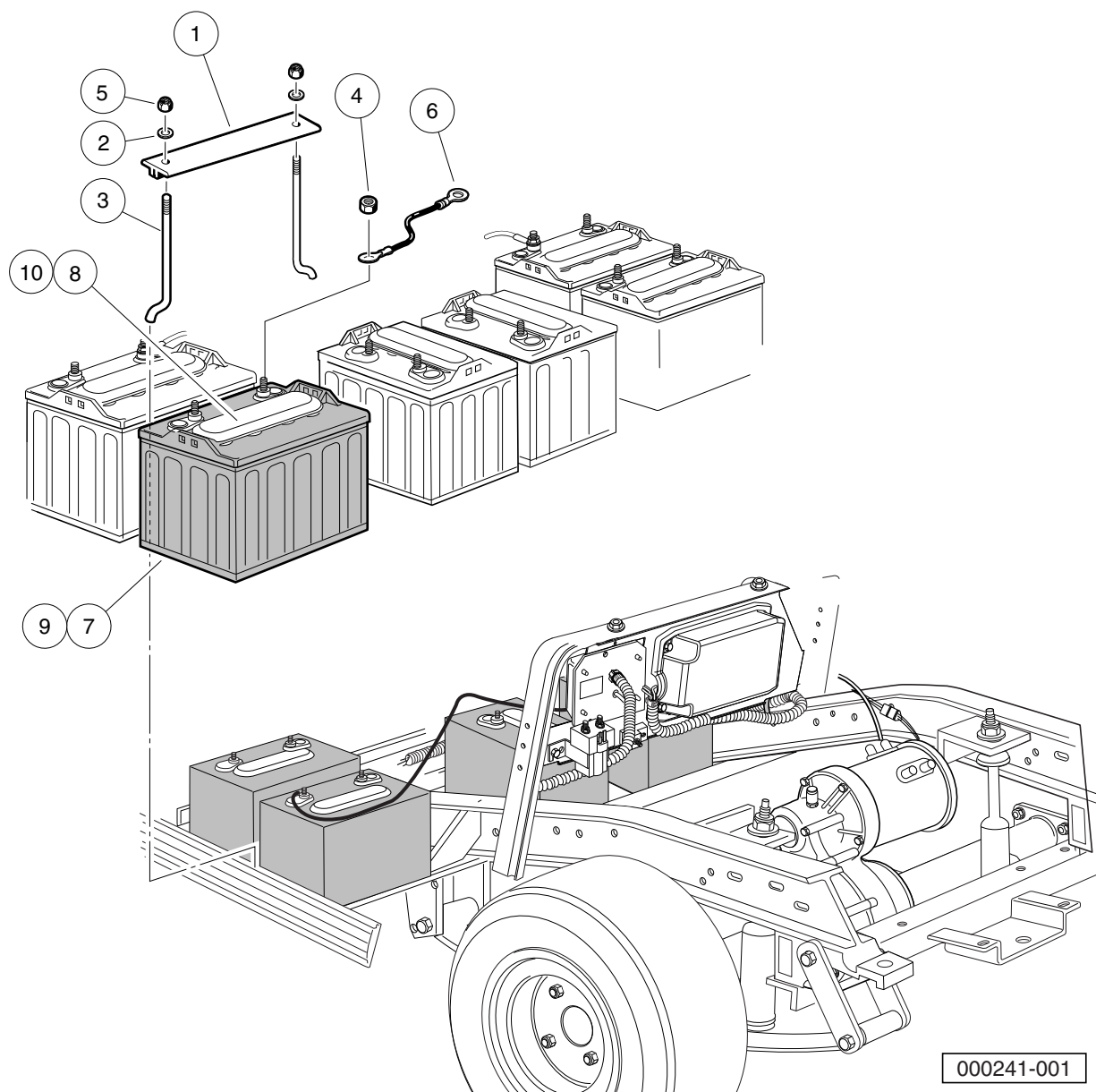
000369-001

BATTERY CHARGER RECEPTACLE

ITEM	PART NO.	DESCRIPTION	QTY
		1 2 3 4	
1	101801001	Plate, Receptacle Backing	1
2	101802101	Fuse and Receptacle Assembly (includes items 3 through 10)	1
3	1017705	Screw, #8 X 5/8 Phillips Pan-Head Type AB	3
4	101796501	Receptacle	1
5	101796801	Fuse Assembly (includes item 6)	1
6	1013061	Locknut, #10-32 Nylon Insert	2
7	N/A	Fuse, 3/8-Amp	1
8	N/A	Wire Assembly, Sense Lead, Gray	1
9	N/A	Wire Assembly, #10 Red	1
10	N/A	Wire Assembly, #10 Black	1
11	101832001	Screw, #7-19 X 0.625 Phillips Pan-Head Tap	4

12

E



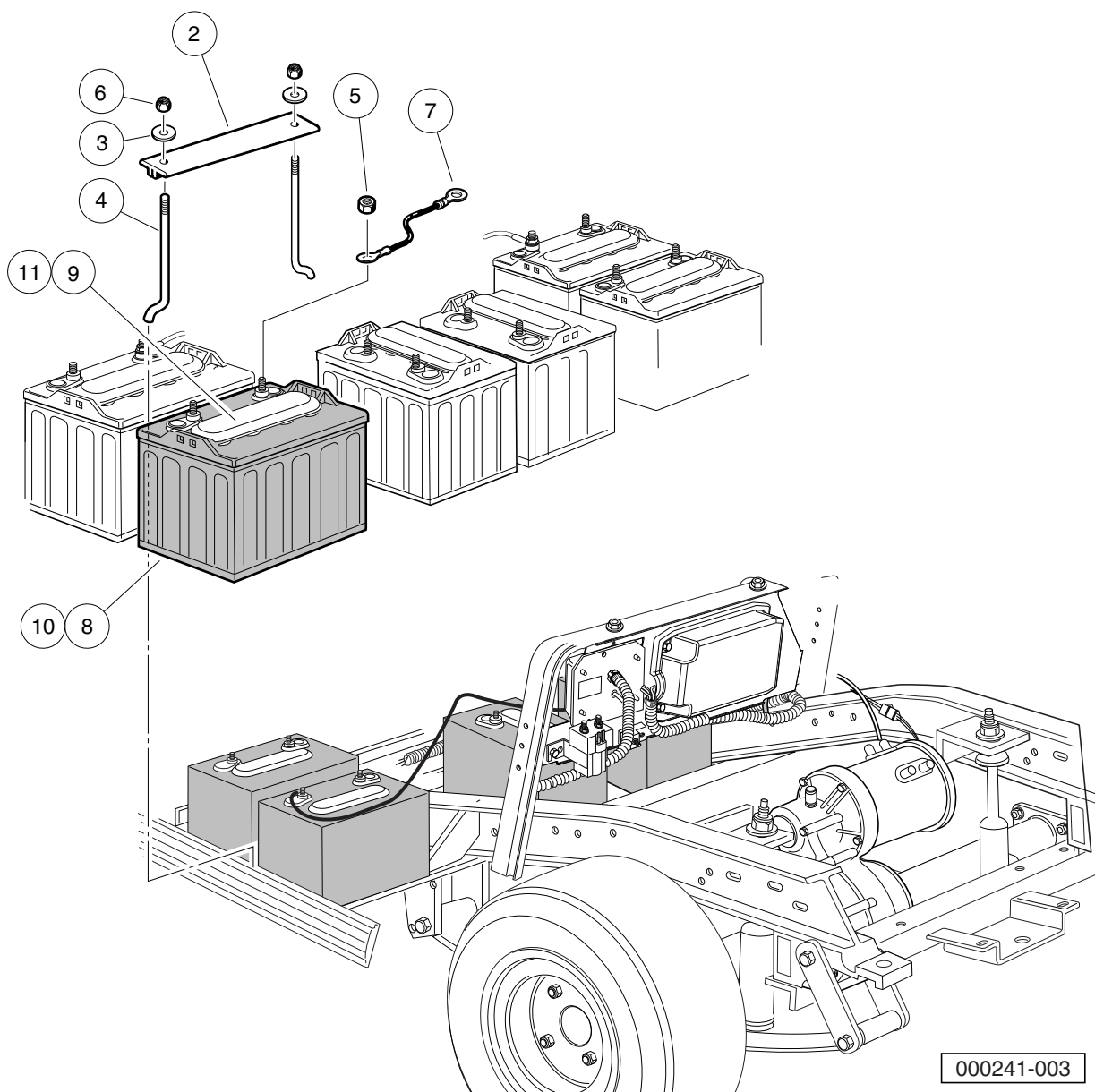
000241-001

BATTERIES (T875), ELECTRIC VEHICLE

ITEM	PART NO.	DESCRIPTION	QTY
		1 2 3 4	
1	101090801	Hold-Down, Battery	3
2	1011578	Washer, 5/16 Type B Flat	6
3	1013683	J-Bolt	6
4	1014304	Nut, 5/16-18 Stainless-Steel Hex	12
5	1015072	Locknut, 5/16-18 Nylon Insert	6
6	101795701	Asm, Wire, #6blk 13in	5
7	101797701	Battery, 8-Volt, T875 (includes item 8)	6
8	101797801	Cap, 4-Gang Battery	1
9	101797702	Battery, 8-Volt, T875 Moist (also known as dry) (includes item 10)	6
10	101797801	Cap, 4-Gang Battery	1

12

E



BATTERIES (T890)

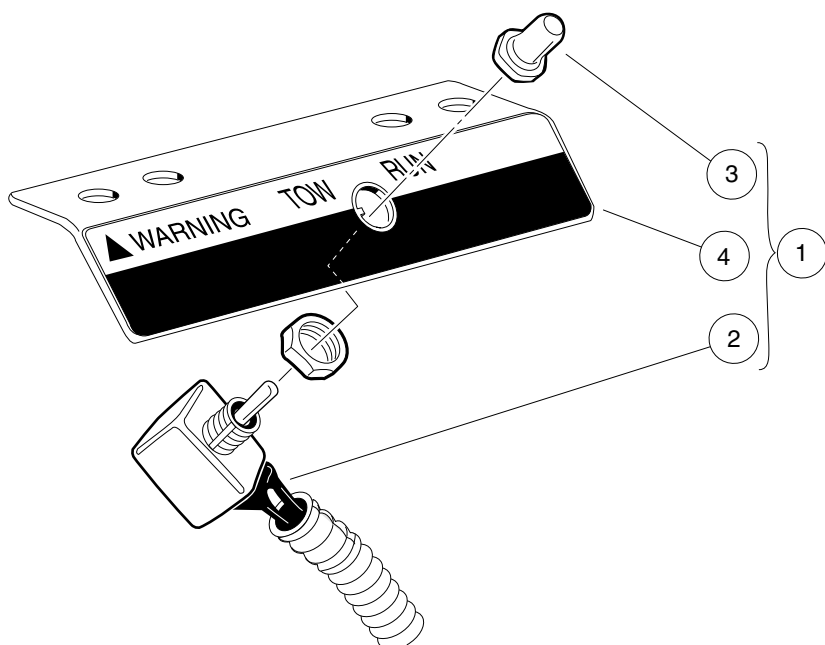
ITEM	PART NO.	DESCRIPTION	QTY
		1 2 3 4	
1	N/A	Installation, Battery, T890 (includes items 2 through 10)	1
2	101090801	Hold-Down, Battery	3
3	1012571	Washer, 5/16 Extra Thick Flat	6
4	1013683	J-Bolt	6
5	1014304	Nut, 5/16-18 Stainless-Steel Hex	12
6	1015072	Locknut, 5/16-18 Nylon Insert	6
7	101795701	Asm, Wire, #6blk 13in	5
8	101964201	Battery, 8v Trojan T890 (Wet) (includes item 9)	6
9	101797801	Cap, 4-Gang Battery	1
10	101964202	Battery, 8v Trojan T890 (Dry, also known as moist) (includes item 11)	6
11	101797801	Cap, 4-Gang Battery	1

12

E

12

E



000605-001

TOW/RUN SWITCH

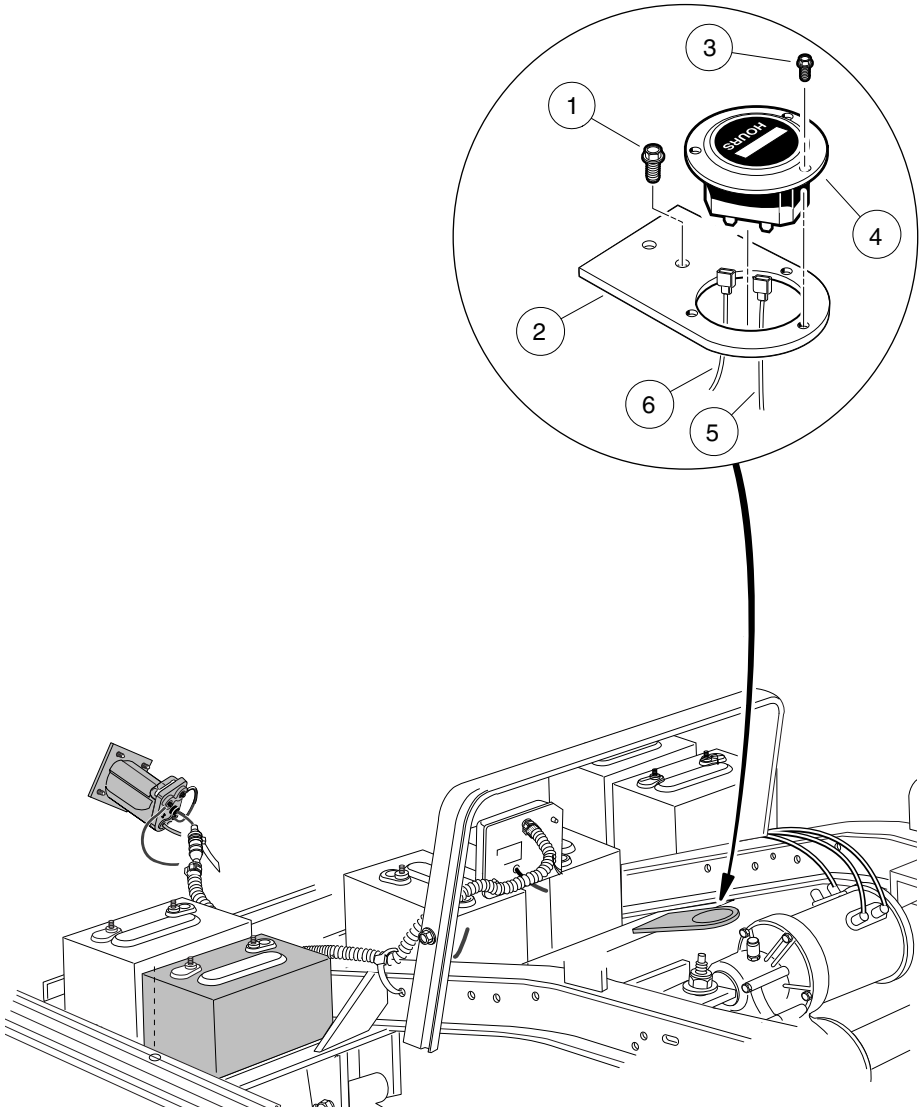
ITEM	PART NO.	DESCRIPTION	QTY
		1 2 3 4	
1	N/A	Tow Switch Assembly (includes items 2 through 4)	1
2	101908101	Switch Assembly, Tow/Run	1
3	101908401	Boot, Switch	1
4	101922501	Bracket, Tow/Run Switch Mounting	1

12

E

12

E



000341-001

HOUR METER – TURF 1 VEHICLES

ITEM	PART NO.	DESCRIPTION	QTY
		1 2 3 4	
1	1012285	Screw, 1/4 X 0.625 Hex-Head	1
2	1013547	Hour Meter Bracket	1
3	1014540	Screw, #6-32 X 3/8 Taptite	3
4	N/A	Hour Meter	1
5	101997802	Wire Assembly #18 Yellow	1
6	N/A	Wire Assy, #18 Blue	1

12

E

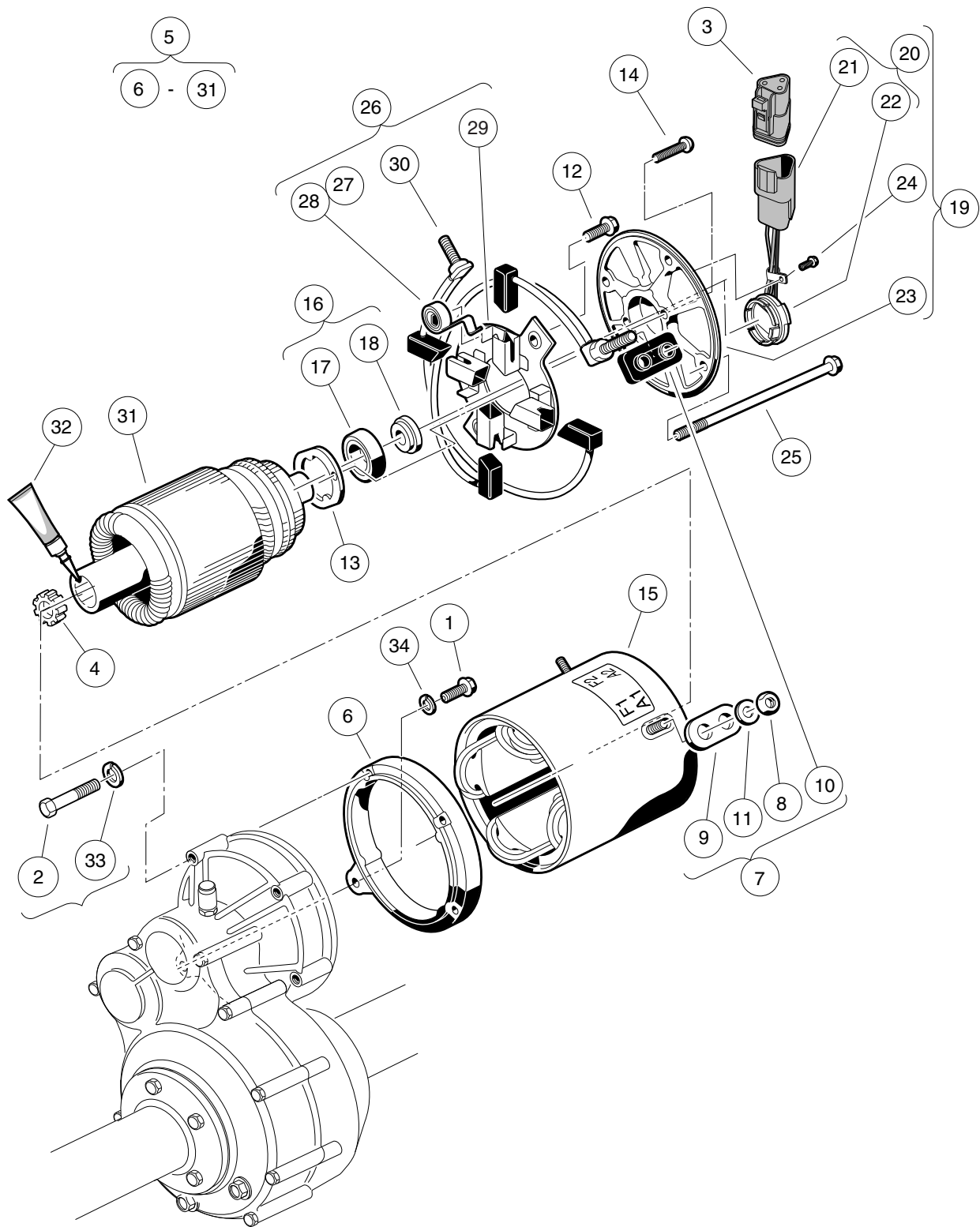
12

E

ELECTRIC MOTOR

13

E



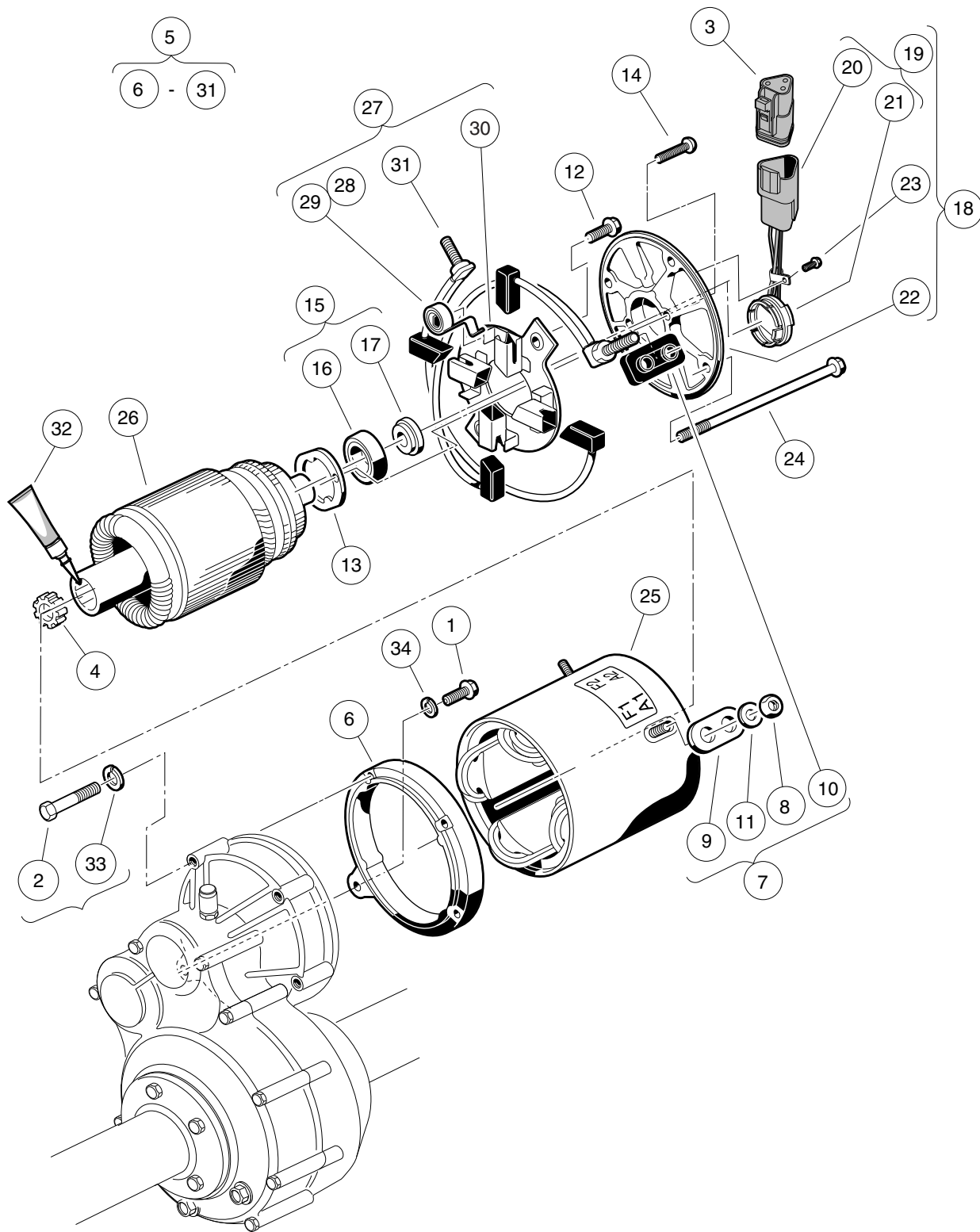
000349-001

MOTOR (MODEL 5BC59JBS6365) – ELECTRIC VEHICLE

13

E

ITEM	PART NO.	DESCRIPTION	QTY
		1 2 3 4	
1	1010934	Screw, 5/16-18 X 1.00 Hex Cap	1
2	1014201	Screw, 1/4-20 X 2.25 Hex Cap	3
3	101920101	Kit, 3-Pin Wedge Lock	1
4	102235201	Bumper, Drive Unit	1
5	102240102	Motor, 48-Volt Shunt-Wound * (includes items 6 through 31)	1
6	1017944	End Shield	1
7	1017947	Hardware Package (includes items 8 through 11)	1
8	1011280	Locknut, 5/16-18	4
9	N/A	Insulator Bushing	2
10	N/A	Insulated Bushing	2
11	1241	Washer, 5/16 Type A Flat	4
12	1017949	Screw, #6-32 X 0.480 Hex-Head	2
13	1017950	Bearing Retainer	1
14	1017953	Screw, Bearing Retainer	2
15	102265501	Stator Shell and Winding	1
16	102265701	Kit, Bearing and Magnet (includes items 17 and 18)	1
17	1011290	Ball Bearing	1
18	102265801	Magnet	1
19	102265901	Motor End Shield Asm (includes items 20 through 24)	1
20	102265601	Speed Sensor Assembly (includes items 21 and 22)	1
21	101942301	Kit, 3-Pin Wedge Lock	1
22	N/A	Sensor, Speed, without Connector	1
23	102266001	End Shield, Motor	1
24	102267001	Screw, #8-32 X 0.375 Hex-Head	1
25	102266101	Screw, #10 - 32 X 8.250	4
26	102327801	Brush Assembly, Beveled (includes items 27 through 30)	1
27	1011411	Kit, Brush Spring (ge Motor) (includes item 28)	1
28	1011285	Brush Spring	4
29	1017948	Brush Rigging	1
30	102251901	Brush Kit, Motor	1
31	N/A	Armature	1
32	102243403	Lubricant, Moly-Teflon (Single-Use Tube)	1
33	451	Lockwasher, 1/4 Split	3
34	7174	Lockwasher, 5/16 Split	1
* Note: The model 5BC59JBS6365 motor has been discontinued. To replace the motor, use motor model EJ8-4001A.			



000349-002

MOTOR (MODEL 5BC59JBS6365A)

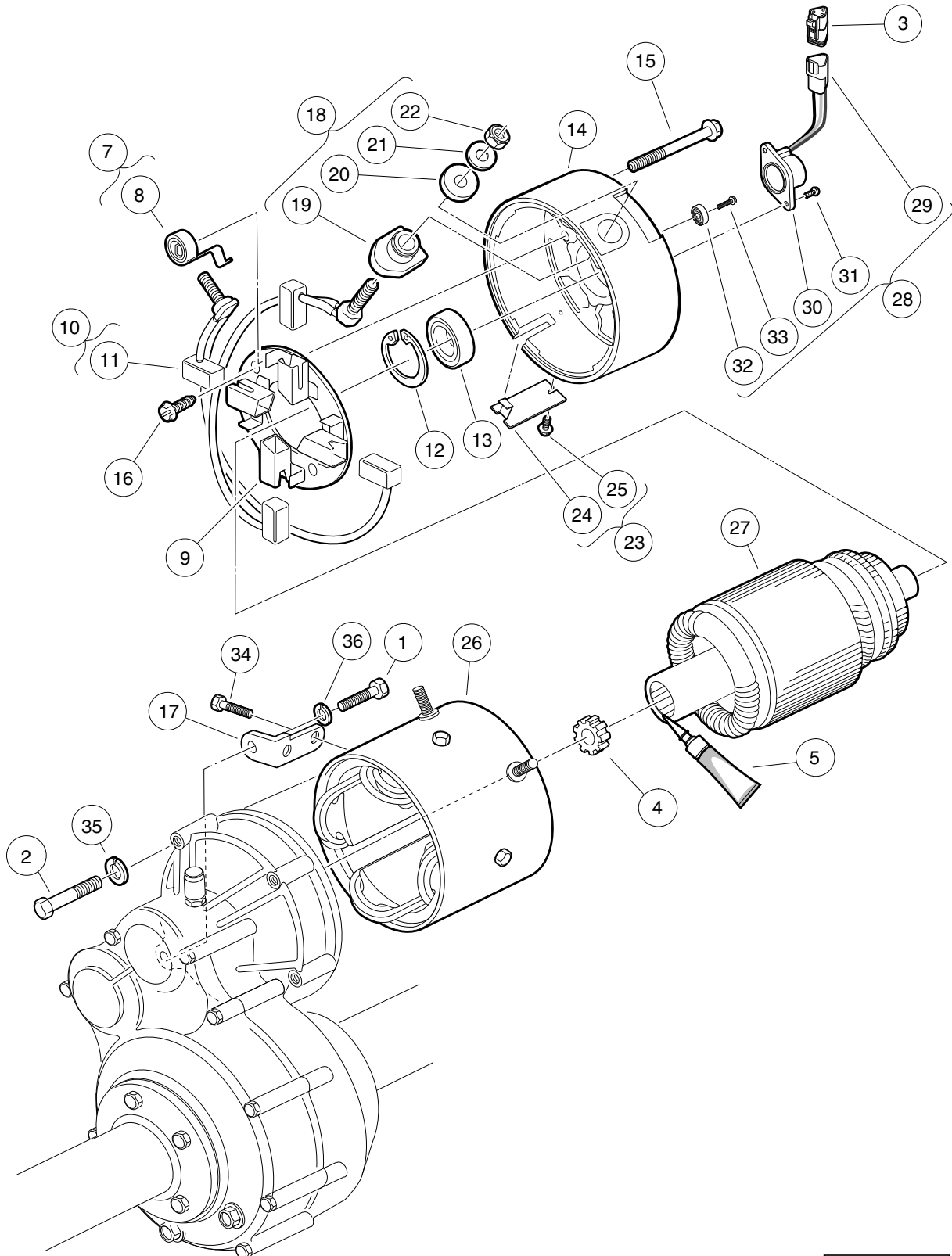
13

E

ITEM	PART NO.	DESCRIPTION	QTY
		1 2 3 4	
1	1010934	Screw, 5/16-18 X 1.00 Hex Cap	1
2	1014201	Screw, 1/4-20 X 2.25 Hex Cap	3
3	101920101	Kit, 3-Pin Wedge Lock	1
4	102235201	Bumper, Drive Unit	1
5	102240104	Motor, 48-Volt Non-Skew IQ * (includes items 6 through 27)	1
6	1017944	End Shield	1
7	1017947	Hardware Package (includes items 8 through 11)	1
8	1011280	Locknut, 5/16-18	4
9	N/A	Insulator Bushing	2
10	N/A	Insulated Bushing	2
11	1241	Washer, 5/16 Type A Flat	4
12	1017949	Screw, #6-32 X 0.480 Hex-Head	2
13	1017950	Bearing Retainer	1
14	1017953	Screw, Bearing Retainer	2
15	102265701	Kit, Bearing and Magnet (includes items 16 and 17)	1
16	1011290	Ball Bearing	1
17	102265801	Magnet	1
18	102265901	Motor End Shield Asm (includes items 19 through 23)	1
19	102265601	Speed Sensor Assembly (includes items 20 and 21)	1
20	101942301	Kit, 3-Pin Wedge Lock	1
21	N/A	Sensor, Speed, without Connector	1
22	102266001	End Shield, Motor	1
23	102267001	Screw, #8-32 X 0.375 Hex-Head	1
24	102266101	Screw, #10 - 32 X 8.250	4
25	103325701	Stator Shell and Winding	1
26	103325801	Non Skew Armature	1
27	103337601	Brush Assembly, IQ Motor, Non-Skew (includes items 28 through 31)	1
28	1011411	Kit, Brush Spring (ge Motor) (includes item 29)	1
29	1011285	Brush Spring	4
30	103325501	Brush Rigging, Non-Skew Motor	1
31	103325601	Brush Set, Non-Skew	1
32	102243403	Lubricant, Moly-Teflon (Single-Use Tube)	1
33	451	Lockwasher, 1/4 Split	3
34	7174	Lockwasher, 5/16 Split	1
* Note: The model 5BC59JBS6390 motor has been discontinued. To replace the motor, use motor model EJ8-4001A.			

13

E



000185-001

MOTOR (MODEL EJ4-4001) – ELECTRIC VEHICLE

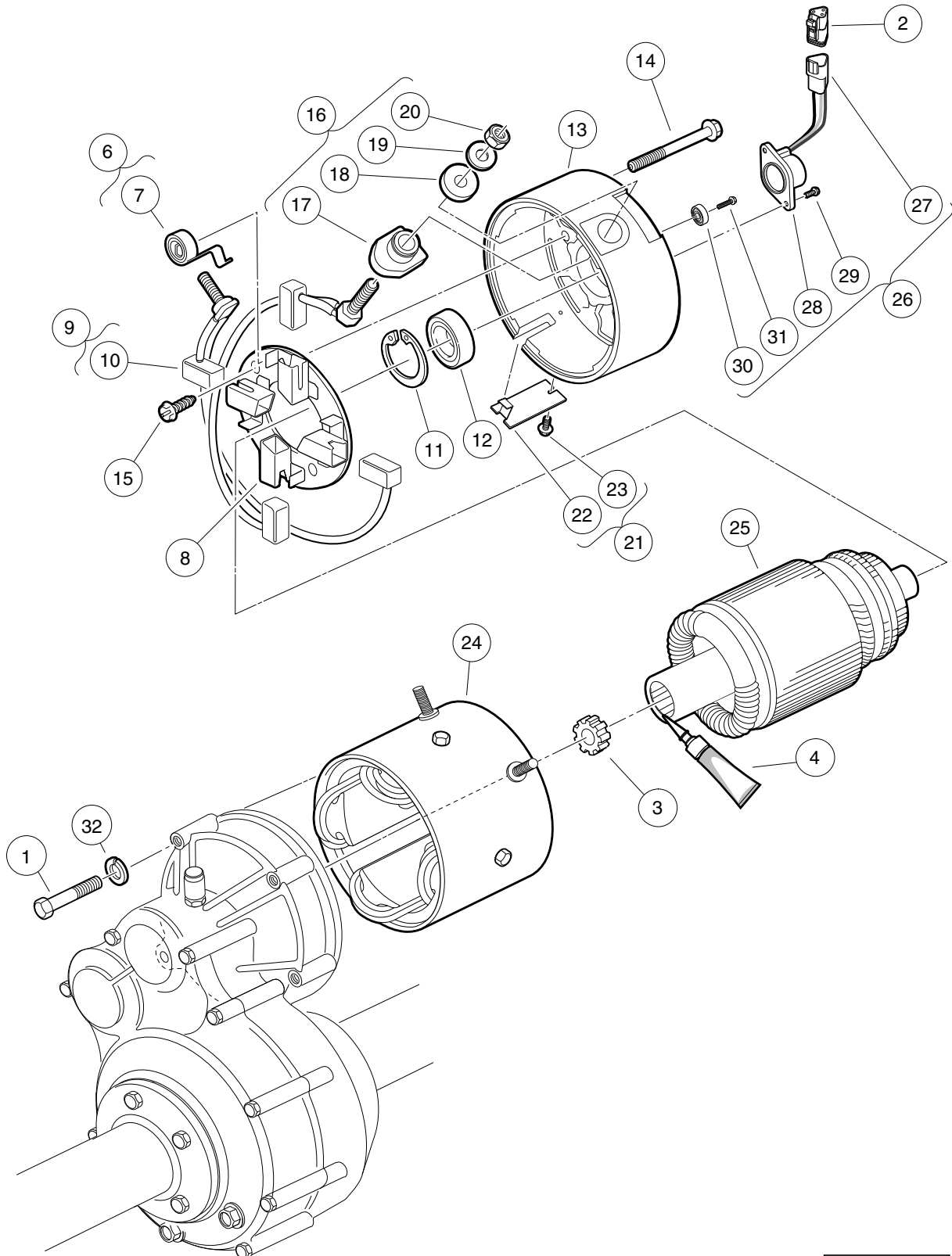
ITEM	PART NO.	DESCRIPTION	QTY
		1 2 3 4	
1	1010934	Screw, 5/16-18 X 1.00 Hex Cap	1
2	1014201	Screw, 1/4-20 X 2.25 Hex Cap	3
3	101920101	Kit, 3-Pin Wedge Lock	1
4	102235201	Bumper, Drive Unit	1
5	102243403	Lubricant, Moly-Teflon (Single-Use Tube)	1
6	102705001	IQ Electric Motor, 48-VDC 3.3 hp * (includes items 7 through 34)	1
7	102186001	Spring Kit, Motor Brush (includes item 8)	1
8	N/A	Spring, Brush, S-g	4
9	102186101	Brush Box Assembly	1
10	102186201	Brush Kit, Motor (includes item 11)	1
11	N/A	Assembly, Brush and Terminal	2
12	102186301	Ring, 2.24" Internal Retaining	1
13	102186401	Bearing, Ball	1
14	102186701	End Cap, Motor	1
15	N/A	Screw, 1/4-20 X 2.25 Hex-Head Washer	2
16	102186901	Screw, #8-32 X .5 Hex-Head	2
17	102187001	L-Bracket, Motor	1
18	102187101	Hardware Kit, Motor Terminal (includes items 19 through 22)	2
19	N/A	Bushing, Nylon	2
20	N/A	Washer, Nylon Flat	2
21	N/A	Washer, Flat, 5/16 Steel	2
22	N/A	Nut, Brass Hex, 5/16 - 18	2
23	102187201	Plate Kit, Motor Cover (includes items 24 and 25)	1
24	N/A	Assembly, Cover Plate	1
25	N/A	Screw, #8-32 x 0.375, Taptite Thread	1
26	102704701	Frame and Field Assembly	1
27	102704801	Armature Assembly	1
28	102704901	Kit, Speed Sensor (includes items 29 through 33)	1
29	101942301	Kit, 3-Pin Wedge Lock	1
30	N/A	Sensor, Motor Speed, ADC	1
31	N/A	Screw, #8-32, Taptite Thread	2
32	N/A	Magnet, ADC Motor	1
33	N/A	Screw, 1/4-20 x 0.5	1
34	N/A	Bolt, 1/4 - 20 x 0.73 Thread-Forming	2
35	451	Lockwasher, 1/4 Split	3
36	7174	Lockwasher, 5/16 Split	1
* Note: The model EJ4-4001 motor has been discontinued. To replace the motor, use motor model EJ8-4001A.			

13

E

13

E



000185-002

MOTOR (MODEL EJ8-4001A) – ELECTRIC VEHICLE

ITEM	PART NO.	DESCRIPTION	QTY
		1 2 3 4	
1	1014201	Screw, 1/4-20 X 2.25 Hex Cap	3
2	101920101	Kit, 3-Pin Wedge Lock	1
3	102235201	Bumper, Drive Unit	1
4	102243403	Lubricant, Moly-Teflon (Single-Use Tube)	1
5	N/A	IQ Electric Motor, 48-VDC 3.3 hp (includes items 6 through 26)	1
6	102186001	Spring Kit, Motor Brush (includes item 7)	1
7	N/A	Spring, Brush, S-g	4
8	102186101	Brush Box Assembly	1
9	102186201	Brush Kit, Motor (includes item 10)	1
10	N/A	Assembly, Brush and Terminal	2
11	102186301	Ring, 2.24" Internal Retaining	1
12	102186401	Bearing, Ball	1
13	102186701	End Cap, Motor	1
14	N/A	Screw, 1/4-20 X 2.25 Hex-Head Washer	2
15	102186901	Screw, #8-32 X .5 Hex-Head	2
16	102187101	Hardware Kit, Motor Terminal (includes items 17 through 20)	2
17	N/A	Bushing, Nylon	2
18	N/A	Washer, Nylon Flat	2
19	N/A	Washer, Flat, 5/16 Steel	2
20	N/A	Nut, Brass Hex, 5/16 - 18	2
21	102187201	Plate Kit, Motor Cover (includes items 22 and 23)	1
22	N/A	Assembly, Cover Plate	1
23	N/A	Screw, #8-32 x 0.375, Taptite Thread	1
24	102704701	Frame and Field Assembly	1
25	102704801	Armature Assembly	1
26	102704901	Kit, Speed Sensor (includes items 27 through 31)	1
27	101942301	Kit, 3-Pin Wedge Lock	1
28	N/A	Sensor, Motor Speed, ADC	1
29	N/A	Screw, #8-32, Taptite Thread	2
30	N/A	Magnet, ADC Motor	1
31	N/A	Screw, 1/4-20 x 0.5	1
32	451	Lockwasher, 1/4 Split	3

13

E

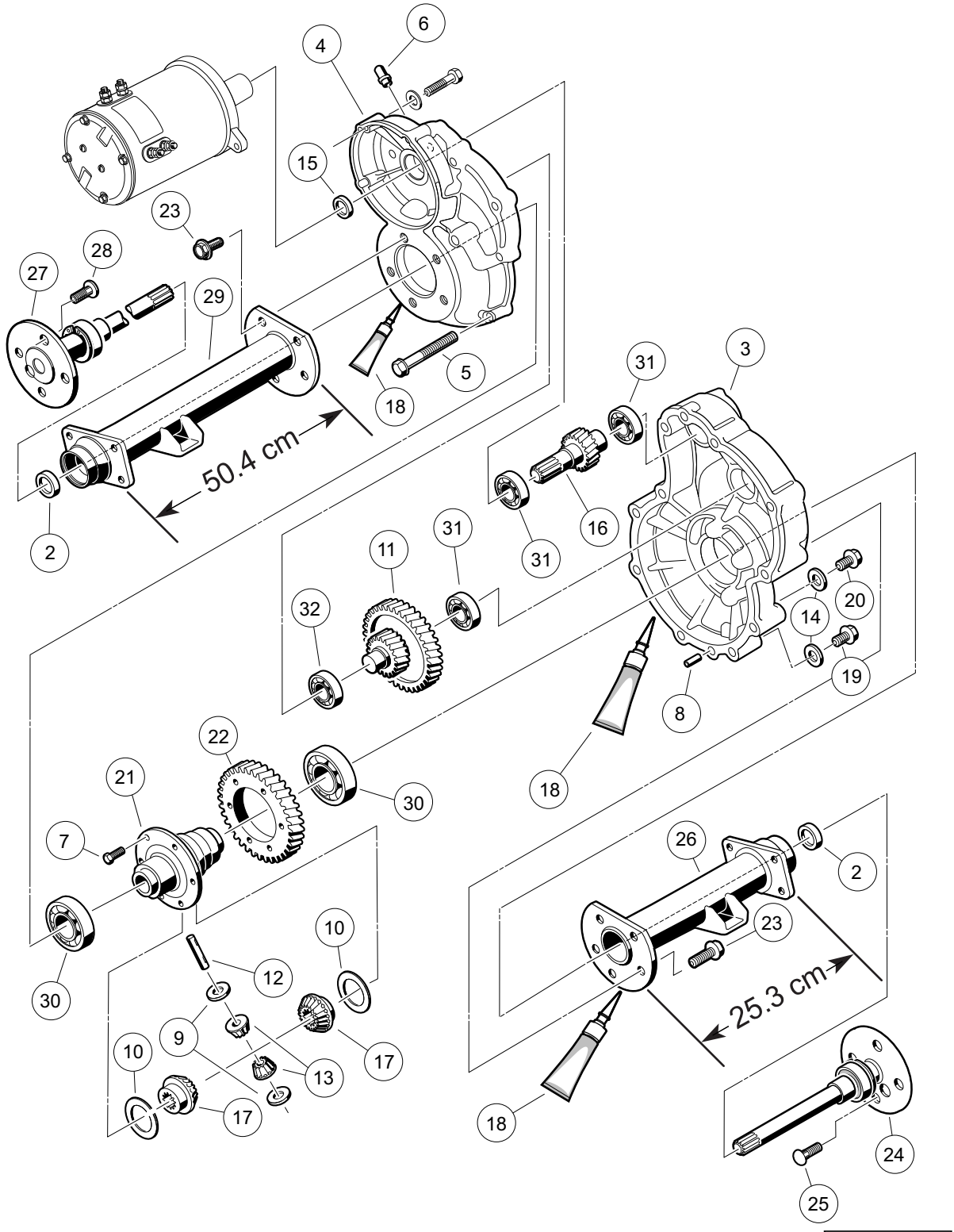
13

E

TRANSAXLE – ELECTRIC VEHICLES

14

E



000223-002

TRANSAXLE – ELECTRIC VEHICLES

ITEM	PART NO.	DESCRIPTION	QTY
		1 2 3 4	
1	102771701	Transaxle, Electric (includes items 2 through 32)	1
2	1013794	Axle Shaft Oil Seal	2
3	101895401	Gear Case, Left-Hand	1
4	101895501	Gear Case, Passenger-Side	1
5	101897001	Screw, M8-1.25 X 60mm Hex-Head	11
6	101897201	Breather	1
7	101897401	Screw, M10-1.25 X 25mm	6
8	101897601	Pin, 11mm OD X 8.5mm ID X 10mm	2
9	101903601	Washer, Thrust	2
10	101903701	Washer, Thrust	2
11	101906901	Intermediate Shaft Assembly	1
12	101922101	Pin, 15.99mm X 88.7mm Dowel	1
13	101923001	Gear, Differential Idler	2
14	101923201	Gasket	2
15	101923501	Seal, Lip	1
16	101923701	Shaft, Input	1
17	101923901	Gear, Differential	2
18	101928701	Liquid Gasket (Transaxle case)	1
19	101972101	Plug, M14-1.5 X 12mm Magnetic	1
20	101972201	Plug, M14-1.5 X 12mm Hex	1
21	102356601	Housing, Differential, 6 Bolt	1
22	102356801	Gear, Differential Output, 6-Bolt	1
23	102357001	Screw, Flg Hd M10 X 1.5 X 30	10
24	102886301	Axle Assembly, Driver-Side (includes item 25)	1
25	101922201	Lug Stud	4
26	102886401	Tube, Axle, Driver-Side	1
27	102886501	Axle Assembly, Passenger-Side (includes item 28)	1
28	101922201	Lug Stud	4
29	102886601	Tube, Axle, Passenger-Side	1
30	7330	Inner Axle Tube Bearing	2
31	7335	Bearing	3
32	7336	Bearing	1

14

E

14

E

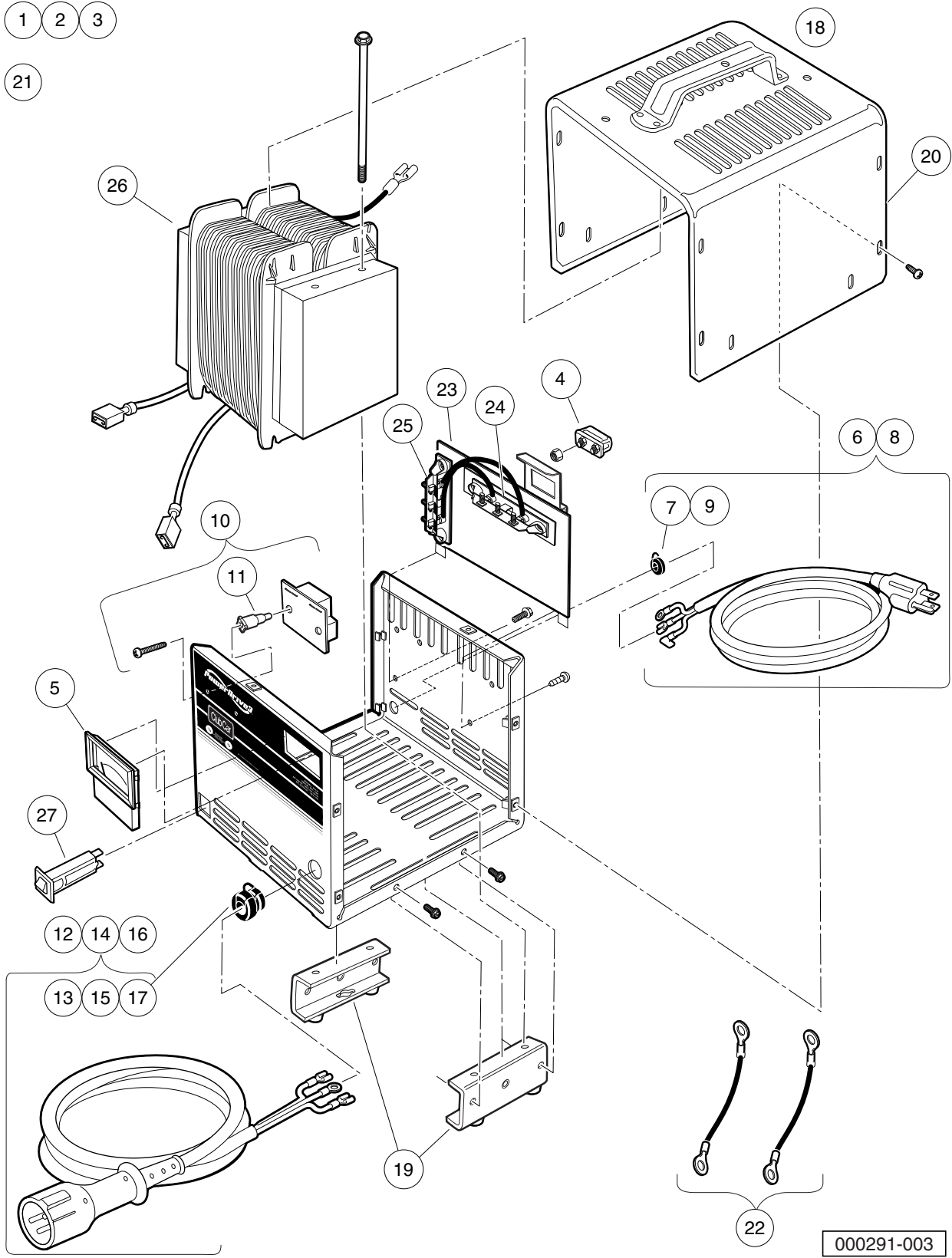
BATTERY CHARGER

15

E

- 1
- 2
- 3

- 21



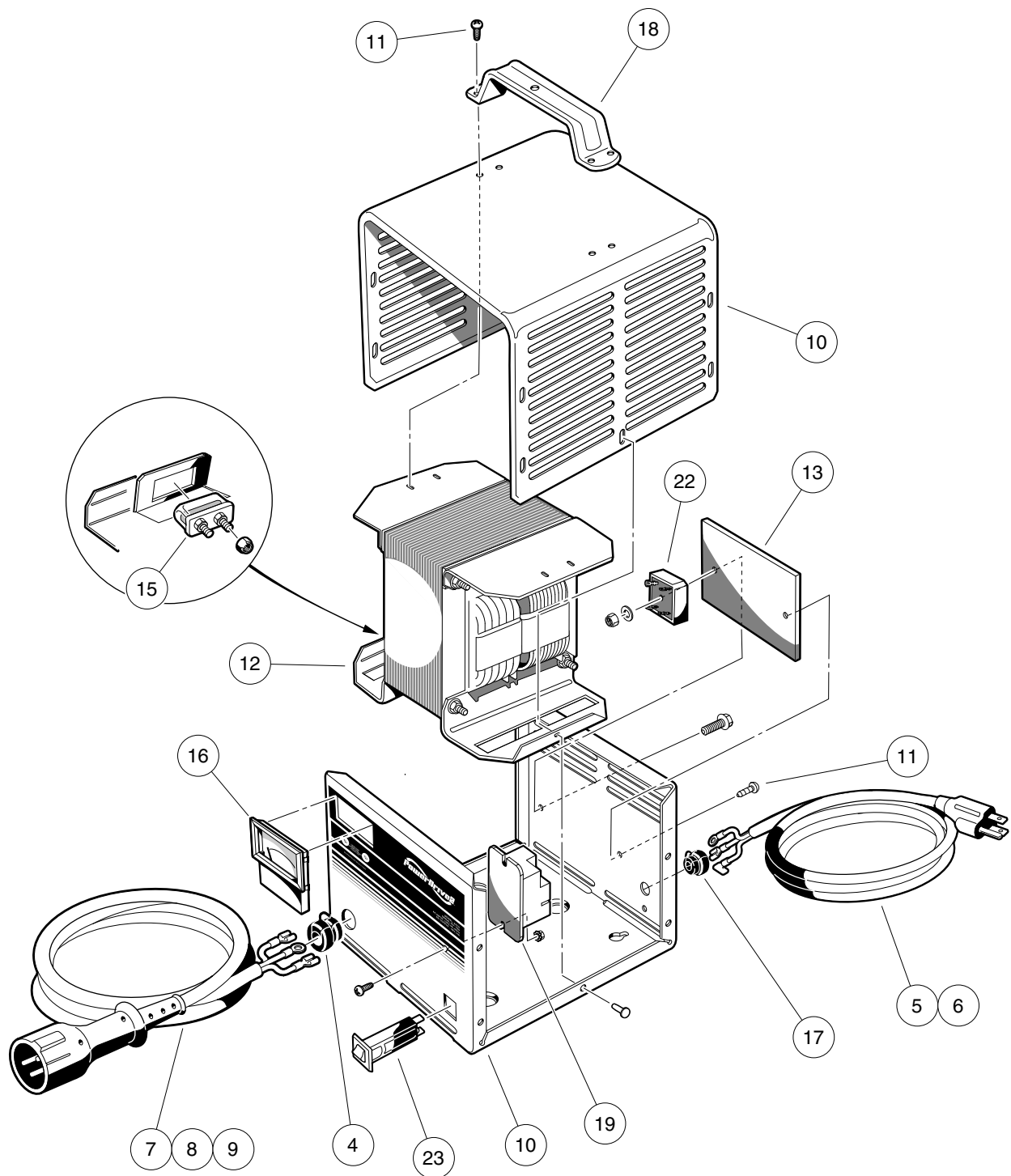
000291-003

POWERDRIVE 3 BATTERY CHARGER, DOMESTIC

ITEM	PART NO.	DESCRIPTION	QTY
		1 2 3 4	
1	103717001	Chgr, Pd3 Stnry, 9Dc6'Ac'	1
2	103717002	Chgr, Pd3 Stnry, 12Dc9'Ac'	1
3	103717003	Chgr, Pd3 Stnry, 20Dc9'Ac'(includes items 4 through 27)	1
4	102273701	PD2 Fuse Asm	1
5	102273801	PD2 Ammeter	1
6	103428501	Kit, PD3 Cordset - AC 80" (includes item 7)	1
7	102273901	PD2 AC Cord Bushing	1
8	103428601	Kit, PD3 Cordset, - AC 114" (includes item 9)	1
9	102273901	PD2 AC Cord Bushing	1
10	103428701	Asm, PD3 Board Relay (includes item 11)	1
11	103429701	PD3 Plastic Stand-Offs	2
12	103429001	PD3 Cordset - DC 113" (includes item 13)	1
13	1012098	Bushing, DC Cord	1
14	103429101	PD3 Cordset - DC 154" (includes item 15)	1
15	1012098	Bushing, DC Cord	1
16	103429201	PD3 Cordset - DC 205" (includes item 17)	1
17	1012098	Bushing, DC Cord	1
18	103429301	Asm, PD3 Case (includes items 19 and 20)	1
19	103434001	Asm, PD3 Legs	1
20	103439901	PD3Case Top (Includes Handle)	1
21	103429501	Kit, PD3 Hardware	1
22	103513001	Wire Asm Kit Blk Pd3	1
23	103517401	Kit Pd3 Button Diode (includes items 24 and 25)	1
24	103512801	Asm Diode Top	1
25	103512901	Asm Diode Side	1
26	103779601	Transformer, Pd3, Al	1
27	CCX8506	Circuit Breaker, 15-Amp/120-Volt	1

15

E



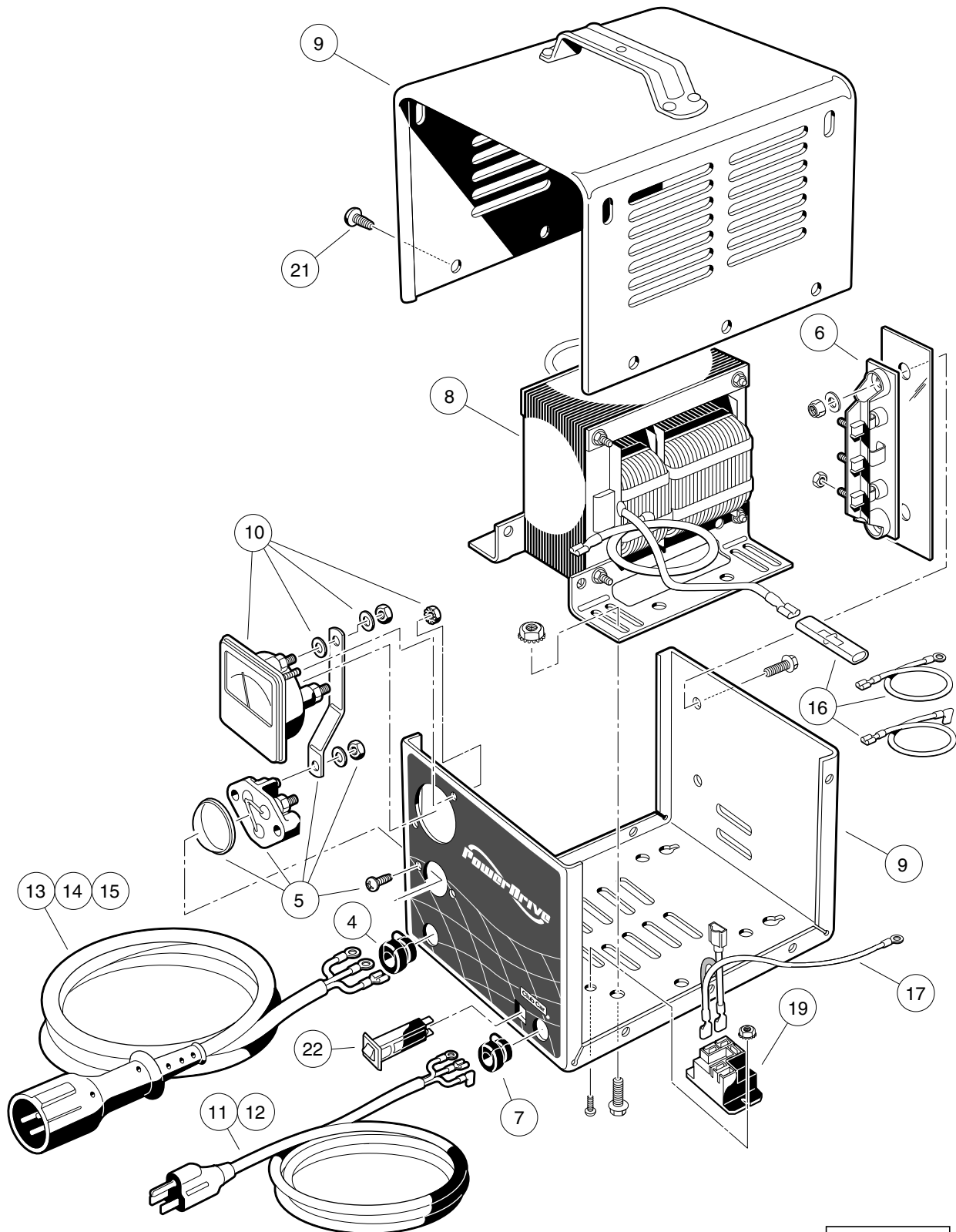
000291-001

POWERDRIVE 2 BATTERY CHARGER (MODEL 22110), DOMESTIC

ITEM	PART NO.	DESCRIPTION	QTY
		1 2 3 4	
1	101802204	48-V/13-A PowerDrive 2 (9-ft. DC, 6-ft. AC)	1
2	101802205	48-V/13-A PowerDrive 2 (12-ft. DC, 9-ft. AC)	1
3	101802206	48-V/13-A PowerDrive 2 (20-ft. DC, 9-ft. AC) (includes items 4 through 23)	1
4	1012098	Bushing, DC Cord	1
5	101828801	Cord, AC, 80-Inch (203 cm)	1
6	101828802	Cord, AC, 108-Inch (274 cm)	1
7	101828904	PD2 DC Cordset, 113-inch	1
8	101828905	PD2 DC Cordset, 154-inch	1
9	101828906	Pd2 Dc Cordset 250 Inch	1
10	102273201	PD2 Case (includes item 11)	1
11	7577	Screw, #10 X 0.50 Phillips Pan-Head	12
12	102273301	PD2 Transformer Asm	1
13	102273401	PD2 Heatsink	1
14	102273601	PD2 Wire Asm	1
15	102273701	PD2 Fuse Asm	1
16	102273801	PD2 Ammeter	1
17	102273901	PD2 AC Cord Bushing	1
18	102274001	PD2 Handle	1
19	103414901	Kit, Relay, 48v 30a W/instr (includes items 20 and 21)	1
20	103397901	Relay, Spst No, 48v 30a, Pmt	1
21	N/A	Kit, Relay, 48v 30a Instrns	1
22	103517601	Pd2 Rectifier Kit	1
23	CCX8506	Circuit Breaker, 15-Amp/120-Volt	1
<p>Note: Item 16 not shown. Level 1 Battery Charger part numbers include one AC and one DC cord. They do not include all of the level 2 cords listed.</p>			

15

E



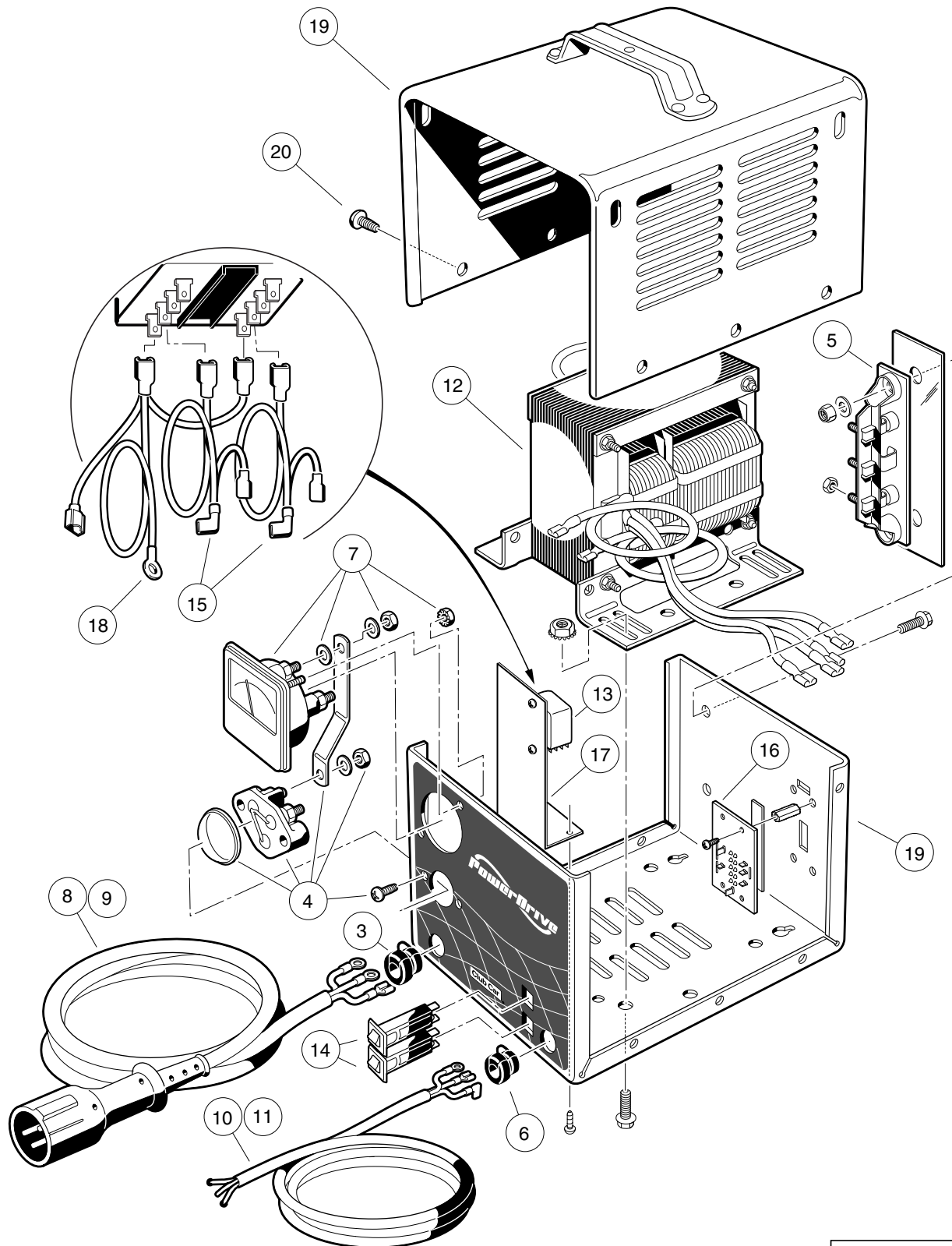
000351-001

POWERDRIVE BATTERY CHARGER (MODEL 17930), DOMESTIC

ITEM	PART NO.	DESCRIPTION	QTY
		1 2 3 4	
1	101802201	48V/17A PowerDrive (9-ft DC, 6-ft AC Cord)	1
2	101802202	48V/17A PowerDrive (12-ft DC, 9-ft AC Cord)	1
3	101802203	48V/17A PowerDrive (20-ft DC, 9-ft AC Cord) (includes items 4 through 22)	1
4	1012098	Bushing, DC Cord	1
5	1012101	Fuse Assembly	1
6	1015914	Rectifier with Heatsink Assembly	1
7	1015917	Bushing, AC Cord	1
8	****	Transformer, Battery Charger	1
9	101828301	Case Assembly	1
10	101828501	Ammeter	1
11	101828801	Cord, AC, 80-Inch (203 cm)	1
12	101828802	Cord, AC, 108-Inch (274 cm)	1
13	101828901	Cord, DC, 113-Inch (287 cm)	1
14	101828902	Cord, DC, 154-Inch (391 cm)	1
15	101828903	Cord, DC, 250-Inch (635 cm)	1
16	101831101	Wire Assembly Kit	1
17	101914401	Assembly, Voltage Suppressor	1
18	103414901	Kit, Relay, 48v 30a W/instr (includes items 19 and 20)	1
19	103397901	Relay, Spst No, 48v 30a, Pmt	1
20	N/A	Kit, Relay, 48v 30a Instrns	1
21	7577	Screw, #10 X 0.50 Phillips Pan-Head	10
22	CCX8506	Circuit Breaker, 15-Amp/120-Volt	1
		**** Special order item available upon request.	
		Note: Level 1 Battery Charger part numbers include one AC and one DC cord. They do not include all of the level 2 cords listed.	

15

E



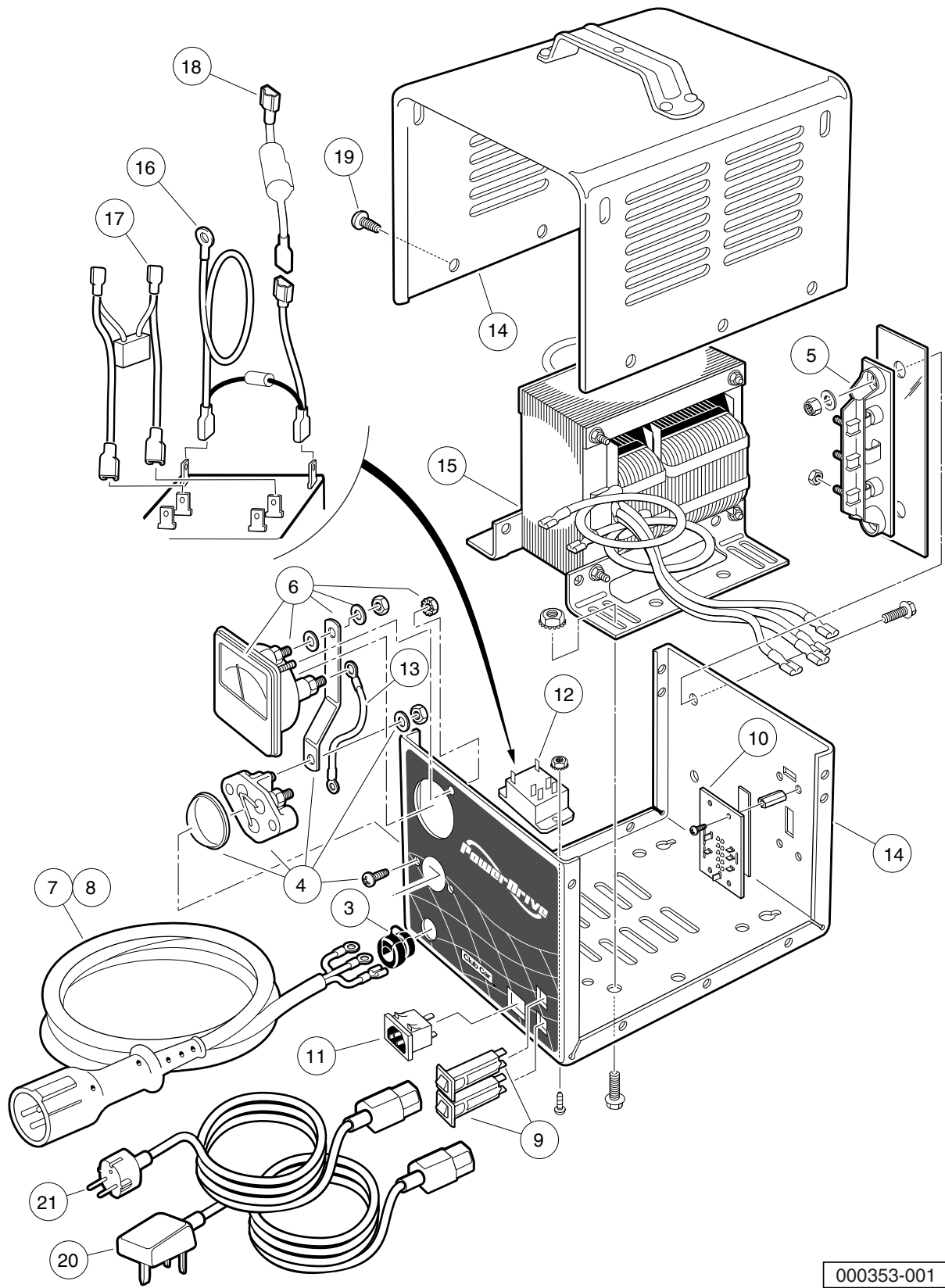
000352-001

POWERDRIVE BATTERY CHARGER (MODEL 18780), EXPORT

ITEM	PART NO.	DESCRIPTION	QTY
		1 2 3 4	
1	101831503	Battery Charger, 48-Volt DC (8.5-ft DC, 6-ft AC)	1
2	101831504	Battery Charger, 48-Volt DC (12-ft DC, 9-ft AC) (includes items 3 through 20)	1
3	1012098	Bushing, DC Cord	1
4	1012101	Fuse Assembly	1
5	1015914	Rectifier with Heatsink Assembly	1
6	1015917	Bushing, AC Cord	1
7	101828501	Ammeter	1
8	101828901	Cord, DC, 113-Inch (287 cm)	1
9	101828902	Cord, DC, 154-Inch (391 cm)	1
10	101831701	Cord, AC, 80-Inch (203 cm), without Plug	1
11	101831702	Cord, AC, 118-Inch (203 cm), without Plug	1
12	101838201	Transformer, Export Battery Charger	1
13	101838301	Relay, Export Charger	1
14	101838401	Circuit Breaker	2
15	101838501	Kit, Wire Assembly	1
16	101838601	Four-Position Switch	1
17	****	Mounting Bracket, Relay	1
18	101914401	Assembly, Voltage Suppressor	1
19	N/A	Case, Charger	1
20	7577	Screw, #10 X 0.50 Phillips Pan-Head	10
<p>**** Special order item available upon request.</p> <p>Note: Level 1 Battery Charger part numbers include one AC and one DC cord. They do not include all of the level 2 cords listed.</p>			

15

E



000353-001

POWERDRIVE BATTERY CHARGER (MODEL 20310), EUROPEAN

15

E

ITEM	PART NO.	DESCRIPTION	QTY
		1 2 3 4	
1	101956201	Battery Charger, 48-Volt w/ 4-Position Switch (8.5-ft DC)	1
2	101956202	Battery Charger, 48-Volt w/ 4-Pos. Switch (12-ft DC) (includes items 3 through 19)	1
3	1012098	Bushing, DC Cord	1
4	1012101	Fuse Assembly	1
5	1015914	Rectifier with Heatsink Assembly	1
6	101828501	Ammeter	1
7	101828901	Cord, DC, 113-Inch (287 cm)	1
8	101828902	Cord, DC, 154-Inch (391 cm)	1
9	101838401	Circuit Breaker	2
10	101838601	Four-Position Switch	1
11	101973501	Receptacle, AC Cord	1
12	101987501	Relay	1
13	N/A	Wire, Jumper	1
14	N/A	Case, Charger	1
15	****	Transformer, European Battery Charger	1
16	****	Suppressor, AC Voltage	1
17	****	Assembly, Wire	1
18	****	Limiter, Current	1
19	7577	Screw, #10 X 0.50 Phillips Pan-Head	10
20	101958201	Cord, UK, AC, Battery Charger	1
21	101958301	Cord, European AC, Battery Charger	1
		**** Special order item available upon request.	
		Note: Level 1 Battery Charger part numbers include one AC and one DC cord. They do not include all of the level 2 cords listed.	

15

E

MAINTENANCE AND SERVICE TOOLS

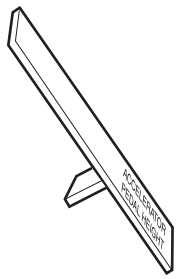
16

G

E

D

16
G
E
D



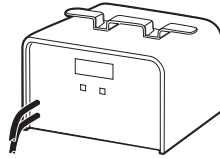
1



2



3



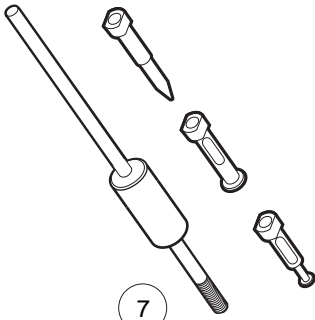
4



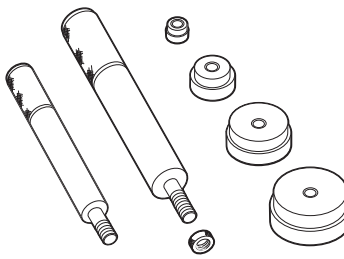
5



6



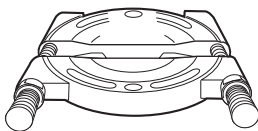
7



8



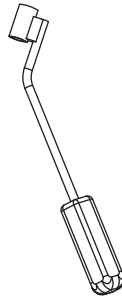
9



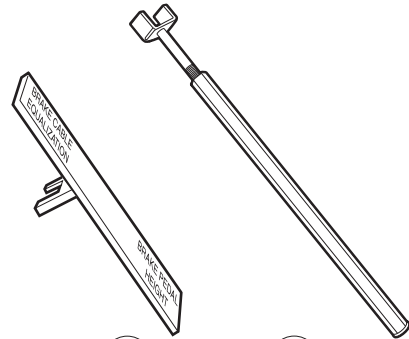
10



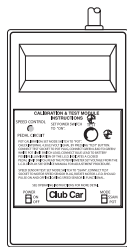
11



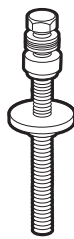
12



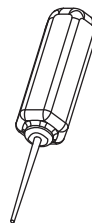
14 15
13



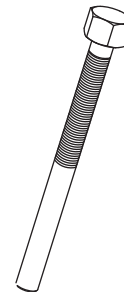
16



17



18



19

MAINTENANCE AND SERVICE TOOLS

ITEM	PART NO.	DESCRIPTION	QTY DIESEL	QTY GAS	QTY ELEC
		<p style="text-align: center;">1 2 3 4</p> <p>The following tool list includes all tools available from Club Car for maintenance and service procedures for gasoline, electric, and/or diesel vehicles, both past and present models. Be sure to carefully examine the tool list for applicability to your vehicle before ordering.</p>			
1	101871001	Accelerator Pedal Adjustment Tool		1	1
2	101813202	Adhesive, Guide Ring, 3-Gram Tube			1
3	101641202	Arbor		1	
4	101831901	Battery Discharge Machine, 36/48 Volt			1
5	1014305	Battery Terminal Protector Spray	1	1	1
6	1011767	Battery Thermometer	1	1	1
7	1016417	Bearing and Oil Seal Remover Assembly	1	1	1
8	1016416	Bearing Driver Set	1	1	1
9	1012811	Bearing Puller	1	1	1
10	1012812	Bearing Puller Wedge Attachment	1	1	1
11	1013582	Brake Adjustment Tool (used only on vehicles with manually adjusted mechanical brakes)		1	1
12	102555501	Brake Cable Release Tool	1	1	1
13	102249901	Brake Pedal Adjustment Tool Kit (used for the Carryall Electric Industrial Truck only) (includes items 14 and 15).....			1
14	****	Brake Pedal Adjustment Tool			1
15	****	Brake Pedal Tension Tool			1
16	101887101	Calibration Test Module			1
17	101808401	Cam Installation Tool		1	
18	102562401	Charger Bezel Tool			1
19	102686101	Clutch Removal Tool (for 4x4 vehicles)	1	1	
		<p>Please refer to the maintenance and service manual for proper tool application.</p> <p>**** Special order item available upon request</p>			

16

G

E

D

MAINTENANCE AND SERVICE TOOLS, CONTINUED

ITEM	PART NO.	DESCRIPTION	QTY DIESEL	QTY GAS	QTY ELEC
		1 2 3 4			
20	1014510	Clutch Tool Kit (includes items 21 - 27)		1	
21	1014498	Clutch Alignment Tool (for pre-unitized transaxle vehicles built prior to 1997 model year)		1	
22	1014496	Drive Clutch Puller (for Kawasaki engines only)		1	
23	1014497	Drive Clutch Hub Puller (for Kawasaki engines only)		1	
24	1014508	Driven Clutch Cam Puller (for Kawasaki engines only)		1	
25	1014507	Driven Clutch Puller Plug (for Kawasaki engines only)		1	
26	1015524	Drive Clutch Holder Tool Assembly (for Kawasaki engines only)		1	
27	101809101	Press Weldment (for Kawasaki engines only)		1	
28	102601501	Drive ClutchFixed Sheave Tool (for 4x4 vehicles)	1	1	
29	102603501	Driven Clutch Spring Compression Base (for use with items 30 and 31) (for 4x4 vehicles)	1	1	
30	102605201	Driven Clutch Spring Compression Collar (for use with items 29 and 31) (for 4x4 vehicles)	1	1	
31	102606101	Driven Clutch Spring Compression Nut (for use with items 29 and 30) (for 4x4 vehicles)	1	1	
32	102607501	Drive Clutch Spider Removal Tool (for 4x4 vehicles)	1	1	
33	101831801	Communication Display Module			1
34	101641002	Compression Gauge and Adapter		1	
35	1011273	Continuity Tester		1	1
36	102773801	Cutter, Valve Seat, #122		1	
37	102773901	Cutter, Valve Seat #115		1	
38	102774101	Wrench, T, #505.....		1	
39	102774101	Adapter, T-Wrench.....		1	
40	102675401	Cutter, Valve Seat, 60 Degree (requires item 51) (for Honda GX620 Gasoline Engines)		1	
41	102774201	Pilot, 6.6 MM		1	
42	102774301	Pilot, 6.62 MM.....		1	
43	102774401	Pilot, 6.65 MM.....		1	
		Please refer to the maintenance and service manual for proper tool application.			

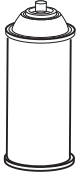
16

G

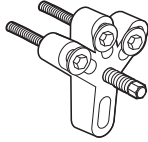
E

D

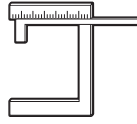
16
G
E
D



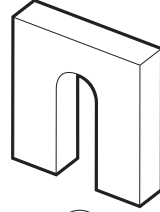
44



45



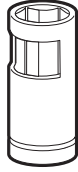
46



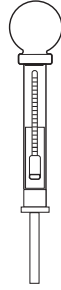
47



48



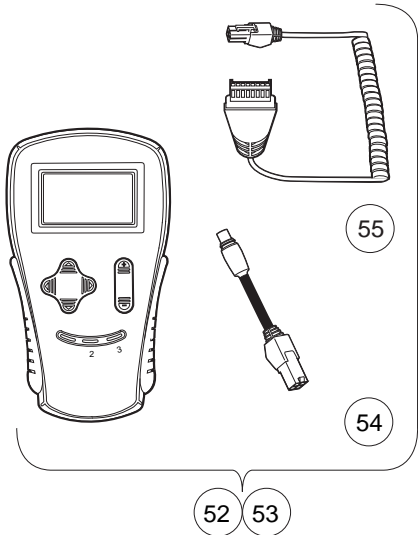
49



50



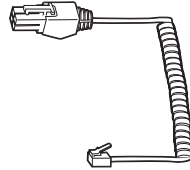
51



52 53

55

54



56



57



58



59 60



61

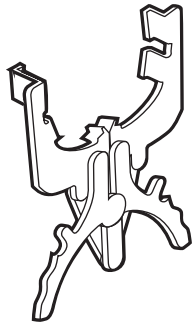
MAINTENANCE AND SERVICE TOOLS, CONTINUED

ITEM	PART NO.	DESCRIPTION	QTY DIESEL	QTY GAS	QTY ELEC	16
		1 2 3 4				G
44	1012151	Dry Moly Lubricant	1	1	1	E
45	1016627	Flywheel Puller Kit (for Kawasaki Engines)		1		D
46	102669901	Gauge, Carburetor Float Level (for Honda GX620 Gasoline Engines)		1		
47	1016418	Gear Yoke	1	1	1	
48	101933101	Governor Shaft Installation Tool (for Kawasaki Engine Vehicles)		1		
49	102169401	Hydraulic Brake Adjuster (for Turf/CA 272/472, Pioneer/XRT 1200, Bobcat 2100, HUV 4213)			1	
50	1011478	Hydrometer	1	1	1	
51	1013593	Internal Retaining Ring Pliers	1	1	1	
52	102248803	IQ Display Module (IQDM) Kit (IQ System and IQ Plus vehicles)			1	
		(includes items 54 and 55)				
53	102248804	IQ Display Module (IQDM-P) Kit (IQ System and IQ Plus vehicles)			1	
		(includes items 54 and 55)				
54	102251501	Adaptor, Cable			1	
55	102241502	IQDM Series 2 Cable			1	
56	102241501	IQDM Series 1 Cable (replacement)			1	
57	101928701	Liquid Gasket (transaxle case)	1	1	1	
58	102243402	Moly-Teflon Lubricant (4-oz. (113-gram) tube)			1	
59	101997201	Paint, Touch-Up – Beige*		1	1	
59	101997207	Paint, Touch-Up – Black*		1	1	
59	101997212	Paint, Touch-Up – Burgundy*		1	1	
59	101997211	Paint, Touch-Up – Classic Blue (Navy)*		1	1	
59	101997205	Paint, Touch-Up – Dark Gray*	1	1	1	
59	101997209	Paint, Touch-Up – Dark Green*	1	1	1	
59	101997204	Paint, Touch-Up – Gray*	1	1	1	
59	101997203	Paint, Touch-Up – Red*	1	1	1	
59	101997206	Paint, Touch-Up – Royal Blue (Pacific Blue)*		1	1	
59	101997202	Paint, Touch-Up – White*	1	1	1	
60	102562301	Paint, Precedent Underbody – Gray		1	1	
61	102587201	Paint Pen, Touch-Up, Precedent Underbody – Black		1	1	
		Please refer to the maintenance and service manual for proper tool application.				
		* Item 59 is not for use on Surlyn [®] body material, which is used on Precedent vehicles.				

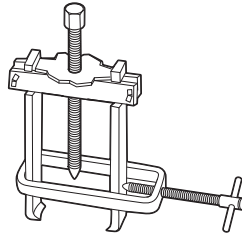
16
G
E
D



62



63



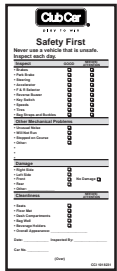
64



65



66



67



68



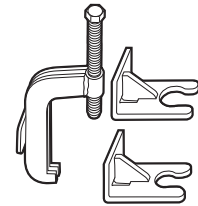
69



70



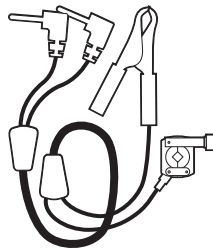
71



72



73



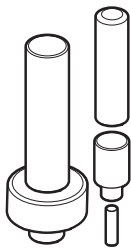
74



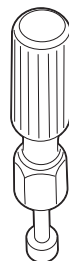
75



76



77



83



84



85



86

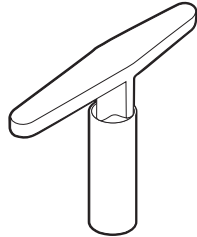
MAINTENANCE AND SERVICE TOOLS, CONTINUED

ITEM	PART NO.	DESCRIPTION	QTY	QTY	QTY	16
			DIESEL	GAS	ELEC	
		1 2 3 4				G
62	1016414	Piston Ring Compressor Kit (FE290, FE350 and FE400 engines)		1		E
63	1016415	Piston Ring Pliers (for Kawasaki Engines)		1		D
64	102668801	Puller, Special Use (for Kubota D722 Diesel Engines)	1			
65	1012549	Retaining Ring Pliers, 45° External	1	1	1	
66	1012560	Retaining Ring Pliers, 90° Internal	1	1	1	
67	101823101	Safety First Card (50 per pack)	1	1	1	
68	1012809	Seal Puller	1	1	1	
69	102330901	Spanner Wrench (for coil over shock front suspension vehicles only)	1	1		
70	1014264	Steering Column Bearing Press Tool		1	1	
71	1014259	Steering Column Retaining Ring Tool		1	1	
72	102061201	Steering Wheel Puller Tool	1	1	1	
73	AM10753	Tachometer (includes gasoline engine pick up lead only)	1	1		
74	AM10771	Tachometer Diesel Probe (for use with item 73)	1			
75	1014162	Transaxle Axle Seal Tool		1		
76	1014161	Transaxle Pinion Seal Tool		1		
77	1014115	Transmission Tool Kit		1		
78	101611003	Tune-Up Kit, All OHV (for FE290, FE350, FE400 only) (includes air filter, spark plug, oil filter, fuel filters) (not shown)		1		
79	AM11804	Tune-Up Kit, Gx620 (for Honda Engines) (includes air filter, spark plug, oil filter, fuel filters) (not shown)		1		
80	AM11805	Tune-Up Kit, D722 (for Kubota Engines) (includes air filter, oil filter, fuel filters, water separator filter) (not shown)	1			
81	AM1220301	Tune-Up Kit, Precedent (for FE290/350 Engines) (includes air filter, spark plug, oil filter, fuel filters) (not shown)		1		
82	AM1232401	Tune-Up Kit, FH680D (for Kawasaki V-Twin Engines) (includes oil filter, fuel filter, air filter, and spark plugs) (not shown)		1		
83	1016413	Valve Clearance Adjuster Screw Holder (for FE290 engines only)		1		
84	102674601	Valve Guide Driver (for Honda GX620 Gasoline Engines)		1		
85	101641201	Valve Guide Reamer (FE290, FE350, and FE400 only)		1		
86	102674401	Valve Guide Reamer, 6.6 mm (for Honda GX620 Gasoline Engines)		1		

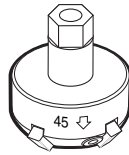
16
G
E
D



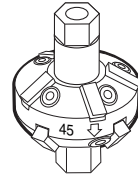
87



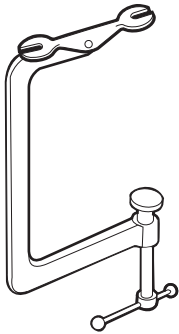
88



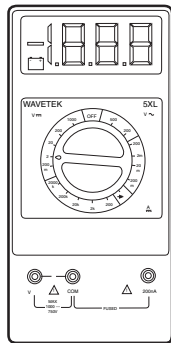
89



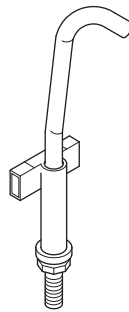
90



91



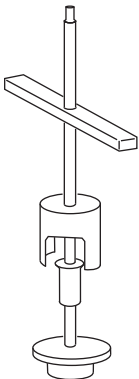
92



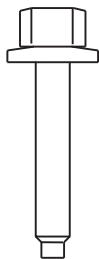
93



94



95



96

MAINTENANCE AND SERVICE TOOLS, CONTINUED

ITEM	PART NO.	DESCRIPTION	QTY DIESEL	QTY GAS	QTY ELEC
		1 2 3 4			
87	1016552	Valve Seat Cutter Guide		1	
88	1016551	Valve Seat Cutter T-Wrench		1	
89	1016553	Valve Seat Cutter, 45° (32 mm diameter) (for FE290 engines only)		1	
90	1016554	Valve Seat Cutter, 45°/30° (35 mm diameter)		1	
91	101641101	Valve Spring Compressor		1	
92	1011480	Volt Ohm Meter	1	1	1
93	102570401	Tool, Tensioning, Starter Generator (For Precedent vehicles)		1	
94	103601401	Puller, Drive Clutch, XRT 950*		1	
95	103601701	Tool, Disassembly, Driven Clutch, XRT 950		1	
96	103600501	Screw, Driven Clutch Disassembly, M6, XRT 950		1	
<p>*Note: The XRT 950 Drive Clutch Puller requires the use of Screw, Driven Clutch Disassembly, CCI Part Number 103600501.</p>					

16

G

E

D

INDEX

Part Number and Page

AM10753	16-9	7973	1-7, 9-17	1011291	11-7
AM10771	16-9	8057	6-9, 11-9	1011382	6-7, 12-13
AM10080	11-5	8058	6-9, 11-9	1011393	5-15
AM10081	11-5	8067	5-15	1011394	1-3, 1-5
AM10419	10-7	8104	11-9	1011402	4-5
AM10682	2-3	8233	1-19, 1-25, 1-29, 4-9, 4-11, 6-17, 11-3, 11-11	1011411	13-3, 13-5
AM10724	7-5	8248	6-17	1011415	5-17, 5-21
CCX8506	15-3, 15-5, 15-7	8251	1-15	1011418	4-5
183	9-5, 9-17, 9-19, 10-3, 11-3	8450	10-3	1011478	16-7
304	11-11	8639	12-9	1011480	16-11
332	1-11, 1-19, 1-21, 1-25, 1-29, 6-17, 8-3, 9-15, 12-9	8717	4-9, 4-11, 6-9, 11-3, 11-9	1011553	1-27, 3-3
334	4-9, 4-11, 5-3, 5-9, 5-19, 7-15	8754	1-17, 4-9, 4-11, 5-3, 5-9, 5-11, 5-13, 5-17, 5-19, 5-21, 6-13	1011578	5-3, 12-17
357	1-27, 5-13	8755	1-17, 5-13, 5-17, 5-21	1011694	4-9, 4-11
403	1-17	8797	9-5, 9-19	1011697	5-3, 7-15, 9-13
451	1-21, 8-3, 13-3, 13-5, 13-7, 13-9	8861	5-11	1011700	4-9, 4-11
705	1-27, 6-13, 7-15	8990	5-9, 5-19, 6-9, 12-9	1011734	4-13
706	1-27, 5-13	1010005	5-15	1011767	16-3
808	10-3	1010028	11-9	1011779	4-7
1016	9-5, 9-19	1010124	5-13	101187702	4-5
1028	1-21, 4-5	1010138	5-11	1011887	5-15
1032	1-21, 4-5	1010142	5-17, 5-21	1011889	5-15
1035	4-7, 5-9	1010144	5-17, 5-21	1011892	5-15
1231	1-21	1010145	5-17, 5-21	1011895	5-9
1241	1-3, 1-5, 1-23, 1-27, 4-5, 4-7, 4-9, 4-11, 6-9, 6-13, 6-15, 8-3, 11-11, 13-3, 13-5	1010150	5-13	1011930	5-9
1242	1-23, 1-27, 4-7, 6-9, 6-13	1010177	5-13	1011931	4-9, 4-11
1606	9-17	1010342	5-15	1011990	1-21, 1-27
1624	4-9, 4-11, 5-9, 5-19	1010347	5-15	1012098	15-3, 15-5, 15-7, 15-9, 15-11
2402	5-11	1010348	5-15	1012101	15-7, 15-9, 15-11
7048	5-15	1010434	1-21, 9-3	1012151	16-7
7049	1-25	1010435	1-3, 1-5, 1-17	1012181	5-17, 5-21
7173	6-15, 11-11	1010543	1-11	1012182	5-17, 5-21
7174	1-23, 1-27, 5-3, 6-13, 8-3, 9-13, 13-3, 13-5, 13-7	1010546	1-3	1012285	1-29, 9-7, 9-13, 12-9, 12-23
7251	1-3, 1-5	1010577	7-15	1012295	6-9
7274	5-15	1010805	4-5	1012303	1-17, 5-13, 5-17, 5-21
7308	5-15	1010829	4-7	1012304	5-17, 5-21
7310	2-3	1010877	4-5	1012333	11-11
7330	11-7, 14-3	1010878	1-19, 4-5	1012396	6-7
7335	11-5, 14-3	101090801	12-17, 12-19	1012431	6-9
7336	14-3	1010921	4-5	1012467	5-9
7473	1-3, 1-5, 1-17, 1-25, 4-5, 4-7, 4-9, 4-11, 6-9, 6-15	1010927	4-5	1012505	6-7, 12-13
7532	1-17	1010932	4-5	1012528	8-3, 12-9
7540	5-9	1010933	4-5	1012549	16-9
7555	5-9, 5-19	1010934	1-25, 1-27, 6-15, 13-3, 13-5, 13-7	1012560	16-9
7577	15-5, 15-7, 15-9, 15-11	1010953	4-3	1012565	5-5
7602	5-9	1010954	6-9, 11-3	1012566	5-5
7716	4-5, 4-9, 4-11	1010984	2-3	1012571	7-15, 12-19
7818	6-9	1011014	1-3, 1-5	1012604	5-3
7840	5-15	1011017	1-3, 1-5	1012605	5-3
7847	1-9, 1-29, 8-3	1011084	4-13	1012649	9-7
7893	6-9, 11-11	1011153	5-15	1012711	11-3
7910	5-15	1011273	16-5	1012714	11-5
		1011280	13-3, 13-5	1012740	11-5
		1011285	13-3, 13-5	1012741	11-5
		1011290	13-3, 13-5	1012747	11-5
				1012748	11-5
				1012752	11-3

INDEX

1012809	16-9	1013870	4-5	1014507	16-5
1012811	16-3	1013871	4-9, 4-11	1014508	16-5
1012812	16-3	1013876	4-5	1014510	16-5
1012830	6-13, 8-3, 9-13	1013924	4-3, 7-15	1014513	1-23
1012836	10-7	1014007	4-9, 4-11, 11-3	1014514	1-23
1012896	11-3	1014049	10-3	1014537	1-23, 1-25
1012991	6-11	1014050	10-3	1014540	12-23
1013001	6-11	1014051	10-3	101454602	5-21
1013003	6-11	1014052	10-3	101454902	5-17
1013005	6-11	1014055	10-3	1014555	5-17, 5-21
101301102	6-11	1014056	10-3	1014573	5-17, 5-21
1013035	5-9, 5-19	1014057	10-3	1014675	5-17, 5-21
1013042	5-9, 5-11, 5-19	1014058	10-3	1014771	2-3
1013044	5-9, 5-19	1014059	10-3	1014807	6-9, 11-9
1013051	5-9, 5-19	1014062	10-3	1014808	6-9, 11-9
1013052	5-9, 5-19	1014063	10-3, 12-9	1014901	5-17, 5-21
1013061	11-3, 11-9, 12-15	1014065	6-9, 10-3	1014902	5-17, 5-21
1013135	5-15	1014070	10-7	1014947	12-9
1013164	5-17, 5-21	1014072	10-7	1014948	6-9
1013207	5-17	1014076	10-7	101503202	1-7
1013309	1-11	1014078	10-7	1015072	12-17, 12-19
1013311	1-11	1014080	10-7	1015075	1-3, 1-5
1013312	1-11	1014115	16-9	1015137	9-7, 9-11
1013317	1-21, 3-9	1014116	9-7	1015139	9-5
1013343	1-7	1014119	6-9	1015143	9-5
1013344	1-7	1014125	5-3	101524002	6-13
1013420	1-9	1014126	5-3	1015245	1-21
1013422	1-9	1014145	6-9	1015252	1-17
1013461	9-5, 9-19	1014153	4-3	1015277	1-19
1013462	9-5, 9-19	1014161	16-9	1015313	1-21
1013483	1-27	1014162	16-9	1015332	7-3
1013494	6-7, 12-13	1014193	11-7	1015345	6-9
1013531	4-7	1014201	13-3, 13-5, 13-7, 13-9	1015363	1-21
1013547	12-23	1014207	11-7	1015365	1-21
1013582	16-3	1014213	5-3	1015367	1-21
1013589	6-9	1014214	5-3	1015371	6-9
1013593	16-7	1014217	5-3	1015372	6-9
1013609	6-9	1014259	16-9	1015373	6-9
1013677	3-5	1014264	16-9	1015390	1-21
1013683	12-17, 12-19	1014276	5-13	1015399	1-17, 1-25
1013687	9-7	1014287	10-3	1015400	1-17, 1-21
1013700	9-13	1014288	5-3, 6-15, 10-3	1015405	1-3, 6-9
1013734	8-3, 12-9	1014289	6-11	1015413	1-21
1013746	9-7, 9-11	1014304	12-17, 12-19	1015414	1-21
1013760	11-3	1014305	16-3	1015426	9-15
1013768	11-7	1014306	1-29	1015427	1-17
1013769	11-7	1014321	1-15, 1-25	1015445	1-27
1013770	11-7	1014375	6-15	101547601	3-7
1013771	11-7	1014387	1-15, 1-25	1015507	1-17
1013772	11-7	1014415	1-25	1015524	16-5
1013773	11-7	1014453	10-3	1015528	6-7, 12-13
1013774	11-7	1014454	10-7	1015530	1-29
1013787	11-7	1014471	1-17	101553901	1-21, 3-3
1013792	11-7	1014496	16-5	1015583	1-17, 5-13, 5-17, 5-21
1013794	11-7, 14-3	1014497	16-5	1015597	5-9, 5-15
1013869	4-5	1014498	16-5	1015606	1-21

INDEX

101562711	1-11	1016418	16-7	1016521	7-11
101562712	1-11	1016423	6-9	1016531	7-3
101562714	1-11	101642575	9-9	1016535	7-11
101562715	1-11	101642578	9-9	1016537	7-7
101564501	1-11	101642580	9-9	1016538	7-11
101564502	1-11	101642582	9-9	1016539	7-3
101564503	1-11	101642585	9-9	1016541	7-13
101564505	1-11	1016429	7-7	1016544	7-5, 7-9, 7-11
1015649	7-3	1016432	7-7, 11-3	1016546	9-13
101567202	2-3	1016436	7-9	1016547	7-3, 7-13, 9-11
1015737	6-9	1016437	9-9	1016549	7-9
1015741	6-9	1016438	9-11	1016551	16-11
1015752	6-9, 9-15, 12-11	1016440	7-9, 9-11	1016552	16-11
1015814	8-3	1016441	9-11	1016553	16-11
101584502	9-13	1016444	9-11	1016554	16-11
1015878	6-9, 11-9	1016445	7-5	1016560	7-9
1015914	15-7, 15-9, 15-11	1016449	7-9	1016561	7-5
1015917	15-7, 15-9	1016450	7-9	1016562	7-5, 7-13
1015921	9-5, 9-19	1016452	7-9	1016563	7-9
1015932	6-13	1016454	7-11	1016564	7-11
1015969	7-3	1016455	7-5	1016566	7-9
1016060	1-19	1016456	7-3, 7-5	1016569	7-9
1016074	6-13	1016457	7-7	1016570	7-7
1016078	1-19	1016458	7-9	1016571	7-13
101609401	3-3	1016467	7-7	1016572	9-11
101611003	16-9	1016470	7-13	1016576	7-7
1016154	5-5	1016472	7-11	1016578	7-5
101615504	5-7	1016473	7-7	1016579	7-5
1016156	5-5, 5-7	1016474	7-9	1016581	7-7
1016183	5-3	1016479	7-9	1016582	9-11
1016201	10-3	1016480	9-11	1016583	7-9
1016219	5-5	101648102	9-11	1016584	7-11
1016269	5-3	101648203	7-7	1016585	9-9
1016289	10-3	1016483	7-9	1016586	7-5
1016337	11-5	1016486	9-9	1016587	7-5
1016338	11-5	1016489	7-9	1016588	7-5
1016346	5-11	101649002	9-11	1016627	16-7
1016349	5-11	1016494	7-11	1016630	6-7
1016350	5-11	1016496	7-11	1016663	5-5, 5-7
1016351	5-11	1016497	7-5	1016672	11-7
1016353	5-11	1016499	9-9	1016679	1-29
1016384	5-13	1016501	9-9	101670201	3-9
1016385	5-11	1016502	7-7	1016751	1-13
1016386	5-13	1016506	7-11	101675511	1-13
1016387	5-11, 5-13	1016507	7-3	101675512	1-13
1016389	5-13	1016510	7-11	101675514	1-13
1016401	6-9	1016513	11-3	101675515	1-13
101641002	16-5	101651402	2-3	101677701	1-13
101641101	16-11	101651406	2-3	101677702	1-13
101641201	16-9	101651407	2-3	101677703	1-13
101641202	16-3	101651409	2-3	101677705	1-13
1016413	16-9	101651412	2-3	1016801	10-3
1016414	16-9	101651413	2-3	1016849	6-7, 12-13
1016415	16-9	1016517	7-9	1016851	6-7, 12-13
1016416	16-3	1016518	7-9	1016868	1-3, 1-5
1016417	16-3	1016519	7-9	1016883	6-13

INDEX

1016904	7-9, 8-3	101745102	7-13	1017949	13-3, 13-5
101692501	1-3, 1-5	1017453	7-13	1017950	13-3, 13-5
101692502	1-3, 1-5	1017454	7-9	1017953	13-3, 13-5
101692504	1-5	1017455	7-5	101795701	12-5, 12-17, 12-19
101692506	1-3, 1-5	1017456	7-7	101796201	4-9, 4-11
101692509	1-3, 1-5	101745701	7-13	101796501	12-15
101692510	1-3, 1-5	101745702	7-13	101796801	12-15
101692511	1-3, 1-5	1017458	7-7	101797701	12-17
101692512	1-3, 1-5	1017460	7-7	101797702	12-17
101692513	1-3, 1-5	1017461	9-9	101797801	12-17, 12-19
101692514	1-3, 1-5	1017463	7-5	101801001	12-15
101692515	1-3, 1-5	1017466	9-11	101802101	12-15
101693901	1-3, 1-5	1017468	7-5	101802201	15-7
101693902	1-3, 1-5	1017471	7-13	101802202	15-7
101693904	1-5	1017472	7-11	101802203	15-7
101693906	1-3, 1-5	1017473	7-9	101802204	15-5
101693908	1-5	1017474	7-3	101802205	15-5
101693909	1-3, 1-5	1017475	7-3	101802206	15-5
101693910	1-3, 1-5	1017476	7-3	101804301	6-7, 9-15
101693911	1-3, 1-5	1017486	7-3	101805701	9-17
101693912	1-3, 1-5	1017487	7-11	101808401	16-3
101693913	1-3, 1-5	1017490	7-5	101809101	16-5
101693914	1-3, 1-5	1017500	7-3	101811401	9-17
1016952	1-9	1017501	7-13	101811501	9-17
1016967	1-3, 1-5	1017502	7-13	101811801	9-15
1017029	4-5	1017503	7-13	101811901	9-15
1017080	1-3, 1-5	1017504	7-11	101812301	9-15
1017082	11-3	1017507	7-7	101813001	9-15
1017188	10-5	1017508	7-11	101813202	16-3
1017226	5-3	1017510	7-13	101815501	4-3
1017231	11-3	1017512	7-13	101815502	4-3
1017235	5-17, 5-21	1017513	7-11	101816401	4-3
1017266	5-11	1017514	7-11	101816501	4-3
1017273	5-5, 5-7	101751801	7-11	101816502	4-3
1017313	5-3	101751802	7-11	101817401	4-9, 4-11
1017314	5-3	101751803	7-11	101818801	4-9
1017315	5-3	1017653	6-11	101821501	9-15
1017317	5-3	1017686	10-7	101823101	16-9
101734802	1-3	1017689	8-3	101823201	4-3
101737002	2-3	1017696	4-9, 4-11	101823801	4-3
1017378	4-9, 4-11	1017705	12-15	101824401	9-7
1017380	4-9, 4-11	101773301	7-13	101825101	3-3, 6-7, 12-13
1017424	4-9, 4-11	101773302	7-13	101826201	12-13
1017434	7-9	101773303	7-13	101826301	6-7
1017435	7-9	101773304	7-13	101827101	7-15
1017442	7-7	101773305	7-13	101828301	15-7
1017443	7-9, 7-11	101773306	7-13	101828501	15-7, 15-9, 15-11
1017444	7-9	101773307	7-13	101828801	15-5, 15-7
1017445	7-9	101773308	7-13	101828802	15-5, 15-7
1017446	7-9	101773309	7-13	101828901	15-7, 15-9, 15-11
1017447	7-11	101773310	7-13	101828902	15-7, 15-9, 15-11
1017448	7-5	101773311	7-13	101828903	15-7
101744901	7-13	101791101	4-3	101828904	15-5
101744902	7-13	1017944	13-3, 13-5	101828905	15-5
1017450	7-13	1017947	13-3, 13-5	101828906	15-5
101745101	7-13	1017948	13-3	101830601	6-7, 12-13

INDEX

101830701	6-7, 12-13	101876402	6-11	101897601	14-3
101831101	15-7	101876501	6-11	101898001	6-15
101831503	15-9	101877601	6-11	101900801	4-7, 5-21
101831504	15-9	101877701	6-11	101903001	12-5, 12-9
101831701	15-9	101878101	6-11	101903601	14-3
101831702	15-9	101878201	4-5	101903701	14-3
101831801	16-5	101878302	5-9	101905901	9-9
101831901	16-3	101879001	6-11	101906901	14-3
101832001	12-15	101879401	5-9, 5-19	101908101	12-21
101832202	9-13	101879501	5-9, 5-19	101908401	6-17, 12-21
101832302	9-13	101879601	5-9, 5-19	101908601	3-5
101832601	7-15	101879701	5-9, 5-19	101908703	12-9
101832701	7-15	101879801	5-9, 5-19	101909201	7-5
101833101	7-15	101879901	5-9, 5-19	101909301	7-5
101833401	10-7	101880001	5-9, 5-19	101909401	7-5
101833601	11-3	101880101	5-9, 5-19	101909501	7-5
101833701	6-11	101880201	5-9, 5-19	101910501	11-7
101833902	10-3	101880301	5-9, 5-19	101912401	4-13
101834001	10-7	101881101	7-5	101914401	15-7, 15-9
101834502	6-7, 12-13	101881701	9-15	101915201	3-7
101834601	7-15	101884801	7-15	101916001	7-13
101834801	11-3	101884901	2-3	101916101	7-3
101835601	1-17, 1-19	101886101	11-3	101916201	7-5
101836201	10-7	101887101	16-3	101916301	7-5
101837101	9-15	101887601	7-3	101916701	6-13, 10-3
101837301	6-13	101889401	11-5	101917601	9-15
101838201	15-9	101890001	11-5	101917701	9-17
101838301	15-9	101890101	11-3	101918401	2-3
101838401	15-9, 15-11	101890201	11-3	101918501	4-5
101838501	15-9	101890501	11-3	101919801	4-9, 4-11
101838601	15-9, 15-11	101890601	11-3	101920101	12-11, 13-3, 13-5, 13-7, 13-9
101850301	9-17	101890901	11-7	101921501	9-15
101851101	6-7, 12-13	101891001	11-7	101922101	14-3
101856002	12-13	101891301	11-3	101922201	14-3
101856102	6-9	101891401	11-7	101922501	6-17, 12-21
101856201	9-17	101891501	11-7	101923001	14-3
101859401	8-3	101891601	11-5	101923201	14-3
101861901	4-9, 4-11	101891901	11-5	101923501	14-3
101862001	4-11	101892001	11-5	101923701	14-3
101869302	6-11	101892201	11-5	101923901	14-3
101870501	5-13	101892301	11-5	101925601	10-3
101871001	16-3	101892401	11-5	101925701	9-15
101874901	6-11	101892501	11-5	101926901	11-3
101875001	6-11	101892601	11-5	101927101	11-3
101875101	6-11	101892701	11-7	101927201	11-3
101875102	6-11	101892901	11-3	101927301	11-3
101875201	6-11	101893201	11-5	101927501	11-5
101875301	6-11	101893801	11-3	101927601	11-5
101875401	6-11	101893901	11-5	101927701	11-5
101875501	6-11	101894303	1-11	101927901	11-5
101875601	6-11	101895401	14-3	101928001	11-5
101875701	6-11	101895501	14-3	101928101	11-5
101875802	6-11	101896501	6-11	101928301	11-7
101876001	6-11	101897001	14-3	101928601	11-3
101876202	6-11	101897201	14-3	101928701	11-3, 14-3, 16-7
101876301	6-11	101897401	14-3	101929501	9-7

INDEX

101929801	10-3	102022601	5-11	102304801	7-9
101929802	10-3	102022602	5-11, 5-19	102323101	4-5
101931501	3-5, 12-9	102026001	4-9, 4-11	102323201	4-5
101933101	16-7	102031901	11-7	102327801	13-3
101936801	12-11	102061201	16-9	102330901	16-9
101939901	6-11	102065901	1-17, 7-15	102336001	9-13
101942301	13-3, 13-5, 13-7, 13-9	102101001	12-11	102336101	9-13
101946201	1-15	102101101	12-11	102355301	6-15
101953101	4-7	102155801	10-7	102356601	14-3
101953802	7-3	102169401	16-7	102356801	14-3
101954301	1-11	102185401	9-17	102357001	14-3
101956201	15-11	102186001	13-7, 13-9	102376001	11-9, 11-11
101956202	15-11	102186101	13-7, 13-9	102406701	9-19
101958201	15-11	102186201	13-7, 13-9	102430901	7-13
101958301	15-11	102186301	13-7, 13-9	102431001	7-11
101958601	1-19	102186401	13-7, 13-9	102453001	11-5
101959902	3-5	102186701	13-7, 13-9	102453101	11-5
101960101	3-3	102186901	13-7, 13-9	102458901	3-7
101960501	3-7	102187001	13-7	102459301	3-3
101963301	1-15	102187101	13-7, 13-9	102508701	12-13
101963401	1-15, 1-25, 7-15, 11-11	102187201	13-7, 13-9	102513701	9-5
101964001	1-15	102190702	9-17	102515401	11-3
101964201	12-19	102196901	12-13	102518001	3-5, 12-13
101964202	12-19	102199601	12-5, 12-9	102519201	3-7
101965202	12-9	102235201	13-3, 13-5, 13-7, 13-9	102522001	9-5, 9-19
101968701	12-5, 12-9	102240102	13-3	102526201	11-9
101971301	9-15	102240104	13-5	102540301	7-15
101972001	16-7	102240501	12-9	102555501	16-3
101972002	16-7	102241501	16-7	102562401	16-3
101972003	16-7	102241502	16-7	102564002	5-13
101972004	16-7	102242101	10-7	102569304	2-3
101972005	16-7	102243402	16-7	102570401	16-11
101972006	16-7	102243403	13-3, 13-5, 13-7, 13-9	102572401	12-13
101972007	16-7	102248803	16-7	102588501	5-17, 5-21
101972009	16-7	102249901	16-3	102601501	16-5
101972011	16-7	102251501	16-7	102603501	16-5
101972012	16-7	102251901	13-3	102605201	16-5
101972101	14-3	102263601	12-9	102606101	16-5
101972201	14-3	102265501	13-3	102607501	16-5
101972801	9-15	102265601	13-3, 13-5	102616701	11-9
101973101	9-9	102265701	13-3, 13-5	102668801	16-9
101973301	9-9	102265801	13-3, 13-5	102669901	16-7
101973401	9-11	102265901	13-3, 13-5	102674001	16-5
101973501	15-11	102266001	13-3, 13-5	102674101	16-5
101978001	12-5, 12-9	102266101	13-3, 13-5	102674201	16-5
101978101	12-9	102267001	13-3, 13-5	102674401	16-9
101978201	12-9	102273201	15-5	102674601	16-9
101980801	11-5	102273301	15-5	102675001	16-5
101980901	11-5	102273401	15-5	102675101	16-5
101981001	11-5	102273601	15-5	102675201	16-5
101984801	5-3	102273701	15-3, 15-5	102675301	16-5
101987501	15-11	102273801	15-3, 15-5	102675401	16-5
101990801	4-7	102273901	15-3, 15-5	102684501	5-13
101997802	12-23	102274001	15-5	102684602	11-9
102003201	9-7	102278001	5-3	102686101	16-3
102022101	4-7	102289201	5-11, 5-19	102704701	13-7, 13-9

INDEX

102704801	13-7, 13-9	103316901	12-9	103538901	1-17
102704901	13-7, 13-9	103325501	13-5	103601501	5-19
102705001	13-7	103325601	13-5	103601601	5-3
102711201	6-9	103325701	13-5	103653401	5-19
102751601	9-5	103325801	13-5	103653501	5-11
102753401	7-9	103337601	13-5	103717001	15-3
102766301	5-13	103345701	10-3	103717002	15-3
102771701	14-3	103348201	6-7	103717003	15-3
102865101	9-7	103348501	6-7	103779601	15-3
102886301	14-3	103348601	6-7	103781101	9-7
102886401	14-3	103351001	5-11	103781201	9-7
102886501	14-3	103354701	5-11	96704416	7-15
102886601	14-3	103369101	9-19		
102966401	1-15	103369501	11-9	A	
102966501	1-15	103372101	9-19	absorber, rear shock	5-17, 5-21
102966502	1-15	103372201	9-19	AC cord	15-5, 15-7, 15-9, 15-11
102969401	11-9	103372301	9-19	AC cord bushing	15-3, 15-5
102969801	11-9	103374701	9-19	AC cord receptacle	15-11
102969901	11-9	103380201	4-3	AC cordset	15-3
102974201	9-5	103380202	4-3	accelerator bracket and bearing assembly	4-9, 4-11
102977001	6-7	103390201	12-9	accelerator cable	9-13
102977002	12-13	103390801	6-7	accelerator pedal	4-9, 4-11
102977901	9-7	103397901	15-5, 15-7	accelerator pedal adjustment tool	16-3
102978001	9-7	103403101	12-9	accelerator pivot rod	4-9, 4-11
102989501	1-15, 1-17	103406501	1-21	accelerator return spring	4-9, 4-11
103010101	9-7	103406502	1-21	accelerator rod	4-13
103173301	11-9	103406601	1-21	adapter	
103174401	9-3	103414901	15-5, 15-7	cable (IQDM)	16-7
103177401	11-9	103428501	15-3	adhesive, guide ring	16-3
103180101	6-7, 12-13	103428601	15-3	adjuster	
103187601	9-5	103428701	15-3	hydraulic brake	16-7
103192701	11-9	103429001	15-3	adjuster, lash	7-11
103197001	6-5, 6-9	103429101	15-3	air box	9-15
103198301	12-13	103429201	15-3	air box top	9-15
103198401	6-17	103429301	15-3	air duct shield	9-17
103199001	6-7	103429501	15-3	air filter	9-15
103199101	6-7	103429701	15-3	air intake hose	9-15
103205401	3-3, 6-7	103434001	15-3	ammeter	15-3, 15-5, 15-7, 15-9, 15-11
103205501	3-7, 6-17	103439901	15-3	angled bumper mount	5-17
103210201	3-7, 6-7	103477901	5-15	A-plate strap	5-11
103210301	3-5, 12-13	103483101	4-3	A-plate, delta	5-11
103218601	12-13	103483102	4-3	arbor	16-3
103221801	12-5, 12-9	103483201	4-3	arm	
103234301	3-9	103483301	4-3	governor	11-3
103245201	1-15	103483401	4-3	pivot	11-3
103245301	1-15	103483501	4-3	rocker	7-9
103260001	3-9	103483601	4-3	armature	6-11, 13-3, 13-5, 13-7, 13-9
103260701	3-9	103483701	4-3	armature conversion kit	6-11
103282601	12-9	103507001	5-13	assembly	
103282701	12-9	103512801	15-3	accelerator bracket and bearing	4-9, 4-11
103284001	3-9	103512901	15-3	accelerator pivot rod	4-9, 4-11
103295101	11-11	103513001	15-3	air box	9-15
103295201	11-11	103517401	15-3	air box top	9-15
103306301	9-7	103517601	15-5	armature	6-11
103316701	12-9	103520301	9-17	axle	11-7
103316801	12-9	103538701	1-17		

INDEX

- bearing, steering shaft 5-3
 - bell crank and shaft 6-9
 - brake lever 4-3
 - brush connector 6-11
 - brush holder 6-11
 - carburetor 9-9
 - connecting rod 7-13
 - cylinder head 7-9
 - delta A-plate 5-11
 - delta shock and gear support 5-11
 - drive hub 10-3
 - driven clutch 10-7
 - driven clutch fixed-face 10-7
 - field coil 6-11
 - float 9-9
 - frame and field (motor) 13-7, 13-9
 - front panel 1-21
 - fuel tank vent 9-5
 - governor 11-5
 - idle screw 9-9
 - inner ball joint 5-9, 5-19
 - kingpin 5-13
 - latch weld 1-17
 - moveable-face 10-3, 10-7
 - pilot air screw 9-9
 - plug cap 7-5
 - ratchet 4-5
 - score card plate 5-5
 - secondary clutch weight 10-3
 - side panel 1-21
 - steering shaft 5-3
 - steering wheel 5-5, 5-7
 - tailgate 1-21
 - axle 11-7, 14-3
 - axle shaft oil seal 11-7, 14-3
 - axle tube 14-3
- B**
- bag, desiccant 10-3
 - ball bearing 7-11
 - ball joint 4-5, 4-13, 5-9, 11-11
 - ball joint, left-hand thread 5-9
 - ball stud 6-9, 11-3
 - ball, shifter 11-5
 - ball, steel pressure relief 7-7
 - band, RPM limiter mount 7-5
 - bar, drive 12-11
 - barb, vent 9-7
 - barrel, plastic 1-21, 9-3
 - battery 6-15
 - 8-volt 12-17
 - 8-volt moist 12-17
 - battery cap 12-17, 12-19
 - battery charger 15-5, 15-7, 15-9, 15-11
 - battery charger case 15-5, 15-7, 15-9, 15-11
 - battery charger handle 15-5
 - battery charger receptacle 12-15
 - battery charger transformer 15-5, 15-7, 15-9, 15-11
 - battery clamp 6-15
 - battery discharge machine 16-3
 - battery hold-down 12-17, 12-19
 - battery light 12-13
 - battery terminal protector spray 16-3
 - battery thermometer 16-3
 - battery, 8-volt, Trojan T890 12-19
 - battery, 8-volt, Trojan T890, moist 12-19
 - bearing 14-3
 - ball 7-11
 - ball (motor) 13-7, 13-9
 - ball (steering pinion) 5-9, 5-19
 - front wheel hub 5-15
 - hub 5-15
 - idler 10-3
 - inner axle tube 11-7, 14-3
 - lower pinion (steering) 5-9, 5-19
 - needle 11-5
 - outer axle tube 11-7
 - pivot support 4-9, 4-11
 - steering shaft 5-3
 - thrust 5-13
 - bearing and oil seal remover 16-3
 - bearing driver set 16-3
 - bearing puller 16-3
 - bearing puller wedge 16-3
 - bearing retainer 13-3, 13-5
 - bearing seat 5-3
 - bed frame assembly 1-17
 - bed latch 1-21
 - bed latch spring 1-21
 - bed seal 1-15, 1-17
 - bed, floor plate 1-17
 - bed, tilt 1-17
 - bell crank and shaft 6-9
 - bellows 5-9, 5-19
 - belt, drive 10-5
 - belt, starter/generator 6-13, 10-3
 - block, brake-mounting 4-5
 - block, fuse 6-9
 - body, front 1-5
 - bolt, J- 12-17, 12-19
 - bolt, U- 5-17, 5-21
 - boot, steering column 5-3
 - boot, switch 6-17, 12-21
 - bottom, air box 9-15
 - box
 - air 9-15
 - cargo 1-21
 - electrical component 6-9
 - steering gear 5-9, 5-19
 - box, electrical component 6-9, 12-9
 - brace, trailer hitch 1-27
 - bracket
 - accelerator cable 9-13
 - adjustable starter/generator 6-13
 - FNR shifter 11-9
 - governor cable 9-13
 - hour meter 12-23
 - muffler mounting 8-3
 - oil filter mount 7-7
 - oil level switch 7-11
 - relay mounting 15-9
 - RPM limiter 7-5
 - shock absorber 5-17, 5-21
 - shock mounting 5-17, 5-21
 - snubber 7-15
 - starter/generator mounting 6-13
 - steering column 5-3
 - steering column mounting 5-3
 - throttle spring return 9-11
 - Tow/Run switch 6-17, 12-21
 - brake adjusting mechanism 4-3
 - brake adjustment tool 16-3
 - brake cable 4-7
 - brake cable equalizer 4-7
 - brake cable hanger 4-7, 5-17, 5-21
 - brake cable release tool 16-3
 - brake drum 4-3
 - brake lever 4-3
 - brake mounting block 4-5
 - brake pedal 4-5
 - brake pedal adjustment tool 16-3
 - brake pedal pad 4-5
 - brake pedal tension tool 16-3
 - brake return spring 4-7
 - brake self-adjusting mechanism 4-3
 - brake shoe 4-3
 - brake spring 4-3
 - breaker, circuit 15-3, 15-5, 15-7, 15-9, 15-11
 - breather 11-3, 14-3
 - brush 13-3, 13-5, 13-7, 13-9
 - brush and screw set 6-11
 - brush box assembly 13-7, 13-9
 - brush connector 6-11
 - brush holder 6-11
 - brush inspection port cover 6-11
 - brush port cover 6-11
 - brush rigging 13-3, 13-5, 13-7, 13-9
 - brush spring 13-3, 13-5, 13-7, 13-9
 - brush spring set 6-11
 - bumper
 - drive unit (motor) 13-3, 13-5, 13-7, 13-9
 - front 1-3, 1-5
 - front, heavy duty 1-3
 - front, kit 1-3, 1-5
 - jounce 5-17, 5-21
 - rubber 1-19, 4-5
 - seal, long 1-11

INDEX

spring return 4-9, 4-11
bumper mount 5-21
bumper mount, angled 5-17
bumper, heavy duty 1-3
bumper, seat 1-11
bushing 10-3, 11-9
 AC cord 15-3, 15-5
 bronze 5-15
 nylon 1-21, 1-25, 4-5
 return line 9-19
 snap-in 1-21
 spindle 5-15
 steel 1-17, 5-13, 5-17, 5-21
 urethane 1-17, 5-11, 5-13, 5-17, 5-21
bushing, insulated 13-3, 13-5
button, choke 9-17
button, drive 10-7
buzzer, reverse 6-7, 12-13

C

cable
 accelerator 9-13
 brake 4-7
 FNR shifter 11-11
 governor 9-13
 IQDM 16-7
calibration test module 16-3
cam
 driven clutch 10-7
 electrical component box 6-9
cam installation tool 16-3
cam, FNR shifter 11-9
camshaft 7-11
camshaft shim 7-11
cap
 battery 12-17, 12-19
 corner 1-15, 1-25
 dust 12-13
 fuel tank 9-5
 key switch 6-7, 12-13
 plug 7-5
 seat back 1-13
carburetor 9-9
carburetor float level tool 16-7
carburetor gasket 9-11
carburetor insulator 9-11, 13-3, 13-5
carburetor mounting gasket 9-11
card, safety first 16-9
cargo bed, side panel 1-21
cargo box 1-21
case
 battery charger 15-5, 15-7, 15-9, 15-11
 differential gear 11-7
 gear 11-3, 14-3
 rocker 7-9
case, charger 15-3

charger bezel tool 16-3
charger board relay 15-3
charger case 15-3
charger hardware 15-3
charger legs 15-3
charger receptacle 12-15
charger, battery 15-5, 15-7
choke button 9-17
choke lever 9-17
choke lever guide 9-17
choke positioner 9-17
choke valve 9-15
circuit breaker 15-3, 15-5, 15-7, 15-9, 15-11
clamp
 battery 6-15
 cable retaining 9-13
 hose 9-7, 9-11, 9-15
 muffler hose 8-3
clevis, upper delta 5-13
clip, meter 6-7
clip, score card 5-5
cluster idler gear 11-5
clutch alignment tool 16-5
clutch pulley 10-3
clutch removal tool 16-3
clutch repair kit 10-7
clutch tool kit 16-5
clutch weight 10-3
clutch, drive 10-3
clutch, driven 10-7
coil, field 6-11
coil, ignition 7-5
collet 7-9
column, steering 5-3
communication display module 16-5
component box, electrical 6-9
component mounting plate 12-9
compression gauge 16-5
compression spring 9-17
compressor, piston ring 16-9
compressor, valve spring 16-11
computer, onboard 12-9
connecting rod 7-13
connector, a- 6-11
continuity tester 16-5
controller cover 12-9
controller cover gasket 12-9
cord connector 7-11
cord set, DC 15-5
cord, AC 15-5, 15-7, 15-9, 15-11
cord, DC 15-7, 15-9, 15-11
Cordset
 PD3, AC 114" 15-3
 PD3, AC 80" 15-3
 PD3, DC 113" 15-3
 PD3, DC 154" 15-3

PD3, DC 205" 15-3
counterbalance guide shaft 7-13
counterbalance weight 7-13
cover
 brush inspection port 6-11
 brush port 6-11
 crankcase 7-11
 dust 5-15
 electrical box 6-9
 oil pump 7-7
 rocker switch hole 6-7, 12-13
 screw head 6-7, 12-13
 steering column 5-3
cover gasket, controller 12-9
cover plate 13-7, 13-9
cover, controller 12-9
cover, speed controller 12-9
cowl 1-3, 1-5
crankcase 7-13
crankcase cover 7-11
crankcase vent tube 9-11
crankshaft 7-13
crankshaft rod 7-13
crankshaft shim 7-13
C-type stop ring 5-9, 5-19
cup holder 1-9
cup, spring 4-9, 4-11
current limiter 15-11
cushion, shock absorber 5-17, 5-21
cutter, valve seat 16-5, 16-11

D

damper, RPM limiter 7-5
dash 6-7, 12-13
dash component 1-7
dash panel 6-7, 12-13
DC cord 15-7, 15-9, 15-11
DC cord set 15-5
DC cordset 15-3
decal
 battery danger 3-5
 bed load warning 1-21, 3-3
 Carryall 1 3-9
 component cover 3-5, 12-9
 crush area warning 3-3
 driver/passenger 3-7
 FNR 3-5, 3-7, 6-7, 12-13
 frame ground 3-7
 hot surface warning 3-7
 IR 3-9
 motor braking 3-5
 on/off 3-3, 6-7, 12-13
 operating instructions (electric) 3-5, 12-13
 operating instructions (gas) 3-7
 rollover warning 3-3, 6-7
 rotating parts 3-7

INDEX

run/service switch 3-7, 6-17
tailgate 1-21, 3-9
Tow/Run switch warning 3-5
trailer hitch 1-27, 3-3
Turf 1 3-9
vehicle loading 3-3
delta A-plate 5-11
delta A-plate sub-assembly 5-11
delta shock and gear support 5-11
desiccant bag 10-3
DF-terminal insulator 6-11
diagnostic port 12-13
diesel tachometer probe 16-9
differential
drive unit 14-3
differential gear 11-7, 14-3
differential gear case 11-7
differential housing 14-3
differential idler gear 11-7
differential pin 11-7
diode 6-9
dipstick 7-3
drain plug 7-7
drain plug gasket 7-7, 11-3
drive bar 12-11
drive belt 10-5
drive button 10-7
drive clutch 10-3
drive clutch button 10-3
drive clutch fixed sheave tool 16-5
drive clutch fixed-face 10-3
drive clutch holder tool 16-5
drive clutch hub puller 16-5
drive clutch puller 16-5
drive clutch spider removal tool 16-5
drive clutch spring 10-3
drive clutch weight 10-3
drive hub 10-3
drive unit bumper 13-3, 13-5, 13-7, 13-9
driven clutch 10-7
driven clutch button 10-7
driven clutch cam 10-7
driven clutch cam puller 16-5
driven clutch fixed-face assembly 10-7
driven clutch puller plug 16-5
driven clutch spring compression base tool 16-5
driven clutch spring compression collar tool 16-5
driven clutch spring compression nut tool 16-5
driver, drive clutch 10-3
drum, brake 4-3
dry moly lubricant 16-7
dust cap 12-13
dust cover 5-15

E

E-clip 4-7
electrical box cover 6-9
electrical component box 6-9, 12-9
end bell, commutator 6-11
end bell, output shaft 6-11
end cap, motor 13-3, 13-5, 13-7, 13-9
end shield
motor 13-3, 13-5
end, tie rod 5-11
engine mounting plate 7-15
engine shroud 7-3
engine, FE350 CW without ACR 7-3
equalizer rod 4-7
equalizer, brake cable 4-7
exhaust system 8-3
exhaust valve 7-9
extension, spring latch 1-17
extrusion 12-9

F

face, moveable 10-3, 10-7
fan housing 7-3
fan shroud 7-3
fan, flywheel 7-5
fender, rear 1-29
field coil 6-11
field coil housing 6-11
fill plug 11-3
filter
air 9-15
fuel 9-7
oil 7-7
oil pump 7-7
fitting, thread-forming grease 5-9, 5-15
fixed-face, drive clutch 10-3
fixed-face, driven clutch 10-7
float 9-9
floor mat 1-7
flywheel 7-5
flywheel fan 7-5
flywheel fan plate 7-5
flywheel puller 16-7
FNR closeout brush 6-7
FNR shift lever 11-3
FNR shifter 11-9
FNR shifter bracket 11-9
FNR shifter cable 11-11
FNR shifter cam 11-9
fork, shift 11-5
frame and field assembly (motor) 13-7, 13-9
front body 1-5
front bumper 1-3, 1-5
front bumper kit 1-3, 1-5
front panel 1-21

front spring retainer plate 5-13
front suspension 5-11
F-terminal hardware 6-11
f-terminal insulator 6-11
fuel filter 9-7
fuel gauge sending unit 9-5, 9-19
fuel line 9-7, 9-11
fuel meter 6-7
fuel pickup tube 9-5
fuel pump mount 9-7
fuel tank 9-5
fuel tank cap 9-5
fuel tank strap 9-7
fuel tank vent 9-5
fuel tank vent grommet 9-19
fuse 12-15, 15-7, 15-9, 15-11
10-amp 6-9
20-amp 6-9
3/8-amp 12-15
charger 15-3, 15-5
fuse block 6-9

G

gasket 14-3
carburetor 9-11
carburetor mounting 9-9, 9-11
crankcase cover 7-9, 7-11
drain plug 7-7, 11-3
exhaust 7-9, 8-3
head 7-9
insulator 7-9, 9-11
liquid 11-3, 14-3, 16-7
rocker case 7-9
sending unit 9-5, 9-19
gasket kit, FE350 7-9
gasket, controller cover 12-9
gauge, compression 16-5
gauge, fuel-hour 6-7
gear
case 11-3, 14-3
cluster idler 11-5
differential 11-7, 14-3
differential idler 11-7, 14-3
differential output 14-3
helical 7-13, 11-5, 11-7
spur 7-13, 11-5
synchro 11-5
gear yoke 16-7
governor 11-5
governor arm 11-3
governor cable 9-13
governor cable bracket 9-13
governor shaft installation tool 16-7
grip, pencil 5-5
grip, tilt latch hand 1-17, 1-21
grommet 9-5

INDEX

grommet, fuel tank vent 9-19
guard, splash 9-3
guide
 choke lever 9-17
 intake valve 7-9
 valve 7-9
 valve seat cutter 16-11
guide ring adhesive 16-3

H

handle, battery charger 15-5
hanger, brake cable 4-7, 5-17, 5-21
hardware kit, charger 15-3
hardware, F-terminal 6-11
harness, wire 6-5, 6-9, 12-5, 12-9
head gasket 7-9
head, cylinder 7-9
heatsink 15-5
heatsink and rectifier 15-7, 15-9, 15-11
heavy duty bumper 1-3
helical gear 7-13, 11-5, 11-7
hill brake rod 4-5
hill brake weld assembly 4-5
hitch, trailer 1-27
hold-down, battery 12-17, 12-19
holder, cup 1-9
hole plug 12-13
hose, air intake 9-15
hose, fuel 9-7
hour meter 6-7, 12-23
housing
 2-pin 12-11
 3-pin 12-11, 13-3, 13-5, 13-7, 13-9
 differential 14-3
 fan 7-3
 field coil 6-11
hub 5-15
hub bearing 5-15
hub, synchronizer clutch 11-5
hydraulic brake adjuster 16-7
hydrometer 16-7

I

idle screw assembly 9-9
idler bearing 10-3
idler gear, differential 14-3
ignition coil 7-5
inner frame snubber 7-15
input shaft 14-3
insert, synchronizer 11-5
instrument panel 6-7, 12-13
insulated bushing 13-3, 13-5
insulator gasket 7-9, 9-11
insulator, carburetor 9-11, 13-3, 13-5
intake pipe 9-11

intake valve 7-9
intermediate shaft 14-3
internal retaining ring pliers 16-7
IQ display module (IQDM) 16-7

J

J-bolt 12-17, 12-19
jet, main 9-9
jet, pilot 9-9
joint
 ball 4-5, 4-13, 11-11
 left-hand thread ball 5-9
jounce bumper 5-17, 5-21

K

key
 crankshaft 7-5, 7-13
 driven clutch 10-7
 On/Off 6-7, 12-13
 square 10-7
 starter/generator 6-11
 woodruff 11-3
key switch 6-7
key switch cap 6-7, 12-13
key switch, On/Off 12-13
kingpin 5-13
kit
 2-pin housing 12-11
 3-pin housing 12-11, 13-3, 13-5, 13-7, 13-9
 accelerator pivot rod 4-9, 4-11
 brake cable 4-7
 brake pedal 4-5
 brake pedal adjustment tool 16-3
 clutch repair 10-7
 differential gear case 11-7
 drive clutch button 10-3
 drive clutch weight 10-3
 driven clutch button 10-7
 IQ display module (IQDM) 16-7
 magnet and bearing 13-3, 13-5
 motor brush 13-7, 13-9
 motor brush spring 13-7, 13-9
 motor cover plate 13-7, 13-9
 motor speed sensor 13-7, 13-9
 motor terminal hardware 13-7, 13-9
 park brake latch 4-5
 park brake pedal 4-5
 PD3 Cordest, AC 114" 15-3
 PD3 Cordest, AC 80" 15-3
 PD3 Cordest, DC 113" 15-3
 PD3 Cordest, DC 154" 15-3
 PD3 Cordest, DC 205" 15-3
 PD3 hardware 15-3
 shock absorber 5-17, 5-21
 shock absorber cushion 5-17, 5-21

tune-up 16-9
kit, taillight mounting 1-21
knob, forward/reverse 11-9, 11-11

L

lash adjuster 7-11
latch plate, tilt bed 1-19
latch weld 1-17
latch, air box 9-15
latch, bed 1-21
latch, park brake 4-5
L-bracket, motor 13-7
leaf spring 5-17, 5-21
legs, charger 15-3
lever
 change 11-3
 choke 9-15, 9-17
light
 battery 12-13
 oil 6-7
limit switch 6-9, 11-9
limiter
 current 15-11
 RPM 7-5
line, fuel 9-7, 9-11
link, rack and pinion drag 5-9
liquid gasket 11-3, 14-3, 16-7
low oil warning light 6-7
lubricant, dry moly 16-7
lubricant, moly-teflon 13-3, 13-5, 13-7, 13-9, 16-7
lug nut 2-3
lug stud 11-7, 14-3

M

magnet and bearing kit 13-3, 13-5
magnet, speed sensor 13-3, 13-5, 13-7, 13-9
main jet 9-9
maintenance/operation switch 6-17
mat, floor 1-7
MCOR 12-11
mechanism, brake adjusting 4-3
meter clip 6-7
meter, hour 12-23
meter, volt ohm 16-11
module
 calibration test 16-3
 communication display 16-5
moly-teflon lubricant 16-7
motor
 48-volt 13-5
 48-volt IQ 13-3, 13-7, 13-9
motor armature 13-3, 13-5
motor brush 13-3, 13-5
motor brush kit 13-7, 13-9
motor brush spring kit 13-7, 13-9

INDEX

motor bumper 13-3, 13-5, 13-7, 13-9
motor end cap 13-3, 13-5, 13-7, 13-9
motor end shield 13-3, 13-5
motor L-bracket 13-7
motor magnet, speed sensor 13-3, 13-5, 13-7, 13-9
motor speed sensor 13-3, 13-5, 13-7, 13-9
motor speed sensor kit 13-7, 13-9
motor stator shell and winding 13-3, 13-5
motor terminal hardware kit 13-7, 13-9
mount, bumper 5-21
mount, fuel pump 9-7
mounting block, brake 4-5
moveable-face 10-3, 10-7
muffler hose clamp 8-3

N

name plate 3-9
needle bearing 11-5
nozzle, main 9-9
nut, lug 2-3

O

OBC 12-9
OBC, onboard computer 12-9
oil filler tube 7-3
oil filter 7-7
oil filter mount bracket 7-7
oil filter screen 7-11
oil filter screen plate 7-11
oil level sensor 7-11
oil level switch bracket 7-11
oil pump and rotor 7-7
oil pump cover 7-7
oil pump filter 7-7
oil pump plate 7-7
oil seal 7-9, 7-11, 7-13, 11-3, 11-5
oil warning light, low 6-7
onboard computer 12-9
operation/maintenance switch 6-17
O-ring 7-3, 7-9, 7-11, 7-13
overload bumper spacer 5-17, 5-21

P

pad
 accelerator pedal 4-9, 4-11
 brake pedal 4-5
 park brake 4-5
paint, touch-up 16-7
panel box 1-21
panel, front 1-21
panel, instrument 6-7, 12-13
panel, side 1-21
park brake latch 4-5
park brake pedal 4-5
park brake rod sleeve 4-5
park brake spacer 4-5
park brake torsion spring 4-5
pawl 4-5
pedal, accelerator 4-9, 4-11
pedal, brake 4-5
pedal, park brake 4-5
pencil grip 5-5
pilot air screw assembly 9-9
pilot jet 9-9
pin, differential 11-7
pin, piston 7-13
pinion, steering 5-9, 5-19
pipe, intake 9-11
piston 7-13
piston pin 7-13
piston ring 7-13
piston ring compressor 16-9
piston ring pliers 16-9
piston ring set 7-13
pivot arm 11-3
pivot support bearing 4-9, 4-11
plate
 bed floor 1-17
 component mounting 12-9
 cover 13-7, 13-9
 engine mounting 7-15
 flywheel fan 7-5
 front spring retainer 5-13
 latch 1-19
 name 3-9
 oil filter screen 7-11
 oil pump 7-7
 receptacle backing 12-15
 score card 5-5, 5-7
 spring mounting 5-13
 steering wheel 5-7
 thrust 11-5, 11-7
pliers
 internal retaining ring 16-7
 piston ring 16-9
 retaining ring 16-9
plug
 drain 7-7
 driven clutch puller 16-5
 fill 11-3
 hole 12-13
 spark 7-5
plug cap 7-5
pole set 6-11
port, diagnostic 12-13
positioner, choke 9-17
press weldment 16-5
protector spray, battery terminal 16-3
puller
 bearing 16-3

clutch 16-3
drive clutch 16-5
drive clutch hub 16-5
driven clutch cam 16-5
flywheel 16-7
seal 16-9
special use tool 16-9
pulley
 clutch 10-3
 starter-generator 6-11
push rod 7-9

R

race, front hub bearing 5-15
rack and pinion drag link 5-9
rack guide pressure spring 5-9, 5-19
rack, steering 5-9, 5-19
ratchet, park brake 4-5
reamer, valve guide 16-9
rear fender 1-29
rear spring shackle 5-17, 5-21
receptacle 12-15
receptacle backing plate 12-15
receptacle, AC cord 15-11
receptacle, battery charger 12-15
rectifier with heatsink 15-7, 15-9, 15-11
regulator, voltage 6-9
relay 15-9, 15-11
relay mounting bracket 15-9
relay, charger board 15-3
remover, bearing and oil seal 16-3
resistor assembly 12-9
retainer
 accelerator pedal spring 4-9, 4-11
 bearing 13-3, 13-5
 shock absorber cushion 5-17, 5-21
 spring 5-17, 5-21
 spring (drive clutch) 10-3
 valve spring 7-9
retaining ring 5-3
retaining ring pliers 16-9
return spring bumper 4-9, 4-11
reverse buzzer 6-7, 12-13
rigging, brush 13-3, 13-5
rim, wheel, white 2-3
ring
 piston 7-13
 retaining 5-3, 6-9, 10-3, 10-7
 snap 5-9, 5-19, 7-9, 7-13
 spiral backup 10-3
 synchronizer 11-5
ring, C-type stop 5-9, 5-19
ring, piston 7-13
rivet, blind push 1-3, 1-5
rocker arm 7-9
rocker case 7-9

INDEX

- rocker case gasket 7-9
 - rocker shaft 7-9
 - rocker switch 12-13
 - rod
 - accelerator 4-13
 - accelerator pivot 4-9, 4-11
 - connecting 7-13
 - crankshaft 7-13
 - equalizer 4-7
 - hill brake 4-5
 - push 7-9
 - shift 11-5
 - rotor, oil pump and 7-7
 - RPM limiter 7-5
 - RPM limiter bracket 7-5
 - RPM limiter damper 7-5
 - RPM limiter mount band 7-5
- ## S
- safety first card 16-9
 - score card clip 5-5
 - score card plate 5-5
 - screen, oil filter 7-11
 - screw, valve clearance adjuster 16-9
 - seal
 - intake 9-15
 - lip 14-3
 - oil 7-9, 7-11, 7-13, 11-3, 11-5, 11-7, 14-3
 - steering pinion dust 5-9, 5-19
 - vertical socket dust 5-9
 - seal puller 16-9
 - seal, bed 1-15, 1-17
 - sealant 11-3, 14-3
 - seat
 - spring 7-9
 - valve 7-7
 - seat back 1-13
 - seat back assembly 1-13
 - seat back cap 1-13
 - seat back tube 1-15
 - seat back, white 1-13
 - seat bottom assembly 1-11
 - seat bumper 1-11
 - seat cover, vinyl 1-11
 - seat strap 1-11
 - seat, bearing 5-3
 - sending unit, fuel gauge 9-5, 9-19
 - sensor, motor speed 13-3, 13-5, 13-7, 13-9
 - sensor, oil level 7-11
 - sensor, speed 13-3, 13-5
 - set, brush and screw 6-11
 - set, pole 6-11
 - shackle, rear spring 5-17, 5-21
 - shaft
 - change 11-3
 - counterbalance guide 7-13
 - input 14-3
 - intermediate 14-3
 - rocker 7-9
 - steering column 5-3
 - transmission 11-5
 - shield, air duct 9-17
 - shift fork 11-5
 - shift lever 11-3
 - shift rod 11-5
 - shifter, FNR 11-9
 - shim, camshaft 7-11
 - shim, crankshaft 7-13
 - shim, latch plate 1-19
 - shim, tilt bed pivot 1-17
 - shock absorber 5-11
 - shock absorber (rear) 5-17, 5-21
 - shock absorber cushion 5-17, 5-21
 - shock absorber cushion retainer 5-17, 5-21
 - shock mounting bracket 5-17, 5-21
 - shoe, brake 4-3
 - shroud 7-3
 - shroud, engine 7-3
 - shroud, fan 7-3
 - side panel 1-21
 - sleeve
 - delta A-plate 5-11
 - governor 11-5
 - park brake rod 4-5
 - synchronizer 11-5
 - snap ring 5-9, 5-19, 7-9, 7-13
 - snubber bracket 7-15
 - snubber, inner frame 7-15
 - socket 5-9
 - solenoid 12-9
 - solenoid, 12-volt 6-9
 - spacer
 - accelerator pivot rod 4-9, 4-11
 - overload bumper 5-17, 5-21
 - park brake 4-5
 - spanner wrench 16-9
 - spark plug 7-5
 - speed controller cover 12-9
 - speed sensor 13-3, 13-5, 13-7, 13-9
 - speed sensor magnet 13-3, 13-5, 13-7, 13-9
 - speed sensor, motor 13-3, 13-5, 13-7, 13-9
 - spindle 5-15
 - spiral backup ring 10-3
 - splash guard 9-3
 - spray, battery terminal protector 16-3
 - spring
 - accelerator return 4-9, 4-11
 - brake return 4-7
 - brush 6-11, 13-3, 13-5, 13-7, 13-9
 - compression 5-5, 9-17
 - drive button 10-3
 - drive clutch 10-3
 - driven clutch 10-7
 - extension return 9-15
 - latch tilt 1-21
 - leaf 5-17, 5-21
 - park brake torsion 4-5
 - rack guide pressure 5-9, 5-19
 - shifter 11-5
 - steering shaft compression 5-3
 - synchronizer 11-5
 - throttle return 9-11
 - valve 7-9
 - spring cup 4-9, 4-11
 - spring mounting plate 5-13
 - spring retainer 5-17, 5-21
 - spur gear 7-13, 11-5
 - stand-offs, plastic 15-3
 - starter/generator 6-11
 - starter/generator belt 6-13, 10-3
 - starter/generator pulley 6-11
 - stator shell and winding 13-3, 13-5
 - steel bushing 1-17, 5-13, 5-17, 5-21
 - steel pressure relief ball 7-7
 - steering column 5-3
 - steering column bearing press tool 16-9
 - steering column retaining ring tool 16-9
 - steering gear box 5-9, 5-19
 - steering pinion 5-9, 5-19
 - steering pinion dust seal 5-9, 5-19
 - steering rack 5-9, 5-19
 - steering shaft assembly 5-3
 - steering shaft compression spring 5-3
 - steering wheel 5-5, 5-7
 - steering wheel plate 5-7
 - steering wheel puller tool 16-9
 - stem, valve 2-3
 - stiffener 1-11
 - stiffener, flywheel side 7-15
 - stiffener, PTO side 7-15
 - strap, A-plate 5-11
 - strap, fuel tank 9-7
 - strap, seat 1-11
 - stud 7-15
 - lug 11-7, 14-3
 - self-clinching 1-23, 1-25
 - stud, ball 6-9, 11-3
 - support yoke (steering) 5-9, 5-19
 - suppressor, voltage 15-7, 15-9, 15-11
 - suspension, front 5-11
 - switch
 - four-position 15-9, 15-11
 - key 6-7, 12-13
 - limit 6-9, 11-9
 - rocker 12-13
 - Tow/Run 12-21
 - switch rubber boot 6-17, 12-21
 - switch, operation/maintenance 6-17

INDEX

switch, toggle 6-17
synchro gear 11-5
synchronizer clutch hub 11-5
synchronizer insert 11-5
synchronizer sleeve 11-5
synchronizer spring 11-5
system, exhaust 8-3

T

12-volt solenoid 6-9
tachometer 16-9
tachometer probe, diesel 16-9
tailgate 1-21
tailgate angle 1-25
tailgate mounting bracket 1-23
taillight mounting kit 1-21
taillskirt 1-29
tank, fuel 9-5
tape 9-17
tape, vinyl foam 1-17
tester, continuity 16-5
thermometer, battery 16-3
thread-forming grease fitting 5-9, 5-15
throttle return spring 9-11
throttle spring return bracket 9-11
thrust bearing 5-13
thrust plate 11-5, 11-7
tie rod end 5-11
tie wrap 5-9, 5-19, 6-9, 12-9
tilt bed 1-17
tilt latch hand grip 1-17, 1-21
tire 2-3
tire and wheel assembly 2-3
toggle switch 6-17
tool

accelerator pedal adjustment 16-3
belt tensioning, starter/generator 16-11
brake adjustment 16-3
brake cable release 16-3
brake pedal adjustment 16-3
brake pedal tension 16-3
cam installation 16-3
carburetor float level 16-7
charger bezel 16-3
clutch alignment 16-5
cT-wrench 16-5
drive clutch fixed sheave 16-5
drive clutch holder 16-5
drive clutch spider removal 16-5
driven clutch spring compression base 16-5
driven clutch spring compression collar 16-5
driven clutch spring compression nut 16-5
governor shaft installation 16-7
puller, special use 16-9

steering column bearing press 16-9
steering column retaining ring 16-9
steering wheel puller 16-9
transaxle axle seal 16-9
transaxle pinion seal 16-9
transmission 16-9
valve guide driver 16-9
valve seat cutter 16-5
tool kit, clutch 16-5
touch-up paint 16-7
Tow/Run switch 12-21
Tow/Run switch bracket 6-17, 12-21
trailer hitch 1-27
trailer hitch brace 1-27
transaxle 14-3
transaxle axle seal tool 16-9
transaxle housing 14-3
transaxle pinion seal tool 16-9
transaxle, unitized 11-3
transformer, battery charger 15-5, 15-7, 15-9, 15-11
transmission shaft 11-5
transmission tool 16-9
trim
cowl 1-3, 1-5
seat bottom 1-15
tube
crankcase vent 9-11
fuel pickup 9-5
oil filler 7-3
seat back 1-15
tune-up kit 16-9
T-wrench tool 16-5

U

U-bolt 5-17, 5-21
unitized transaxle 11-3
upper delta clevis 5-13
urethane bushing 1-17, 5-11, 5-13, 5-17, 5-21

V

valve
choke 9-15
exhaust 7-9
intake 7-9
reed 7-9
valve clearance adjuster screw 16-9
valve guide 7-9
valve guide driver tool 16-9
valve guide reamer 16-9
valve guide, intake 7-9
valve seat 7-7
valve seat cutter 16-5, 16-11
valve seat cutter guide 16-11
valve seat cutter tool 16-5
valve seat t-wrench 16-11

valve spring 7-9
valve spring compressor 16-11
valve spring retainer 7-9
valve stem 2-3
vent barb 9-7
vent, fuel tank, w/ valve 9-19
vertical socket dust seal 5-9
volt ohm meter 16-11
voltage regulator 6-9
voltage suppressor 15-7, 15-9, 15-11

W

warning light, low oil 6-7
wedge, bearing puller 16-3
weight
clutch 10-3
counterbalance 7-13
secondary clutch 10-3
weldment
press 16-5
wheel 2-3
wheel and tire assembly 2-3
wheel rim, white 2-3
wheel, steering 5-5, 5-7
wire harness 6-5, 6-9, 12-5, 12-9
woodruff key 11-3
wrap, tie 5-9, 5-19, 6-9, 12-9
wrench, spanner 16-9

Y

yoke, gear 16-7
yoke, support (steering) 5-9, 5-19



Club Car, Inc.
P.O. Box 204658
Augusta, GA 30917-4658
USA

Web www.clubcar.com
Phone 1.706.863.3000
1.800.ClubCar
Int'l +1 706.863.3000
Fax 1.706.863.5808