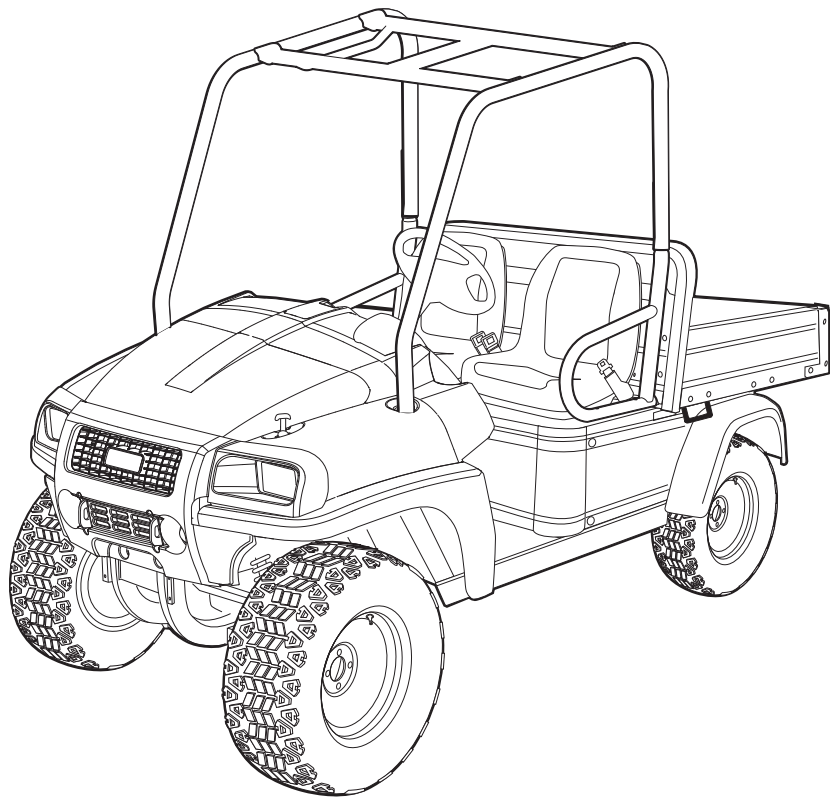




**2007**  
**XRT All Wheel Drive**  
**Illustrated Parts List**



**XRT 1550 and Carryall 295**  
**Gasoline and Deisel Vehicles**

Manual Number 103209010  
Edition Code 0906M0112L



# USING THE ILLUSTRATED PARTS LIST

---

## **⚠ WARNING**

- **This manual is to be used only for identification and ordering of service parts. Be sure to read and use the maintenance and service manual before attempting any vehicle repairs.**

This manual covers the XRT 1550 and Carryall 295 vehicles.

The manual is divided into sections. Note that there are two or three flags on the outside edge of each page. The first flag contains the section number of which that page is a part. The other flag (or flags) contains the letter D, E, or G, signifying that the page pertains to the diesel, electric, or gasoline vehicles only.

Use the Table of Contents to find the sections and pages that contain the parts and assemblies you seek. The Table of Contents lists section numbers, and under them, the individual page titles and numbers to be found in that section. The index can be used to find specific parts and assemblies. The index is divided into numerical and alphabetical listings with the page numbers in italic text.

There is a two-page spread for each individual page title in the Table of Contents. On the left-hand page is an illustration showing the parts in their relative positions; the parts are each tagged with an item number in a balloon. The right-hand page is the parts list page, and gives the page title at the top, then the item numbers (corresponding to the numbers on the illustration), part descriptions, and quantity of parts used.

Note that a part description may be indented. This indentation corresponds to a parts assembly level indicated by the numbers 1, 2, 3, and 4 at the top left corner of the parts description area of the parts list page. A part that is indented to *level 2* is a component of the *level 1* part (assembly) that it is listed under. A *level 3* part is a component of the *level 2* part that it is listed under, and a *level 4* part is a component of the *level 3* part preceding it. In each case, the part quantity given for a level 2, 3, or 4 part is the quantity used per next higher level assembly of which it is a component. A part that is not indented is a *level 1* part. This means that the quantity given is the quantity used per the portion of the vehicle illustrated on that particular spread.

## **HOW TO ORDER PARTS**

Replacement parts and accessories can be obtained from our network of authorized dealers and distributors. You can obtain the name and phone number of your closest authorized Club Car dealer or distributor by visiting our web site at [www.clubcar.com](http://www.clubcar.com) and clicking on the "Distributor Search" link or by calling our toll-free Service Parts and Technical Assistance hotline at (800) 872-2246 or (706) 863-3000, extension 3887.



**P. O. Box 204658**  
**Augusta, Georgia 30917-4658 USA**  
**Telephone 706-863-3000**  
**Service Parts Fax 706-855-7413**  
**[www.clubcar.com](http://www.clubcar.com)**

**NOTE:** *This illustrated parts list represents the most current information at the time of publication. Club Car, Inc. is continually working to further improve its vehicles and other products. These improvements may affect the parts used to service the vehicle. Any modification and/or significant change in specifications will be forwarded to all Club Car and Carryall distributors/dealers and will, when applicable, appear in future editions of this illustrated parts list.*

*Club Car, Inc. reserves the right to change specifications and designs at any time without notice and without the obligation of making changes to units previously sold.*

Copyright © 2006 Club Car, Inc.  
Club Car is a registered trademark of Club Car, Inc.  
This manual effective June 19, 2006.



# CONTENTS

---

## SECTION 1 – BODY AND TRIM

---

Brush Guard .....	1-3
Fascia and Fenders – Carryall Vehicles .....	1-5
Fascia and Fenders – XRT Vehicles .....	1-7
Cowl Assemblies – Carryall Vehicles .....	1-9
Cowl Assemblies – XRT Vehicles .....	1-11
Front Body Components .....	1-13
Plastic Skid Plate .....	1-15
Steel Skid Plate .....	1-17
Dash .....	1-19
Glove Box .....	1-21
Side Stringers .....	1-23
Floor Mat .....	1-25
Bench Seats .....	1-27
Bucket Seats – Gray .....	1-29
Bucket Seats – Black .....	1-31
Bench Seat Conversion Kit .....	1-33
Seat Belts and Lower ROPS .....	1-35
ROPS .....	1-37
Latch Plate and Prop Rod .....	1-39
Tilt Bed, Hinge, and Latch .....	1-41
Electric Bed Lift .....	1-43
Box Bed .....	1-45
Side Panels and Rear Fenders .....	1-47
Cargo Box (Steel) .....	1-49

---

## SECTION 2 – WHEELS AND TIRES

---

Wheels and Tires .....	2-3
------------------------	-----

---

## SECTION 3 – DECALS

---

Safety Decals – CA 295 and XRT 1550, Gasoline Vehicles .....	3-3
Safety Decals – CA 295 and XRT 1550, Gasoline Vehicles, Continued .....	3-5
Safety Decals – CA 295 and XRT 1550, Diesel Vehicles .....	3-7
Safety Decals – CA 295 and XRT 1550, Diesel Vehicles, Continued .....	3-9
Badging Decals – CA 295 Vehicles .....	3-11
Badging Decals – XRT Vehicles .....	3-13

# CONTENTS

---

## SECTION 4 – BRAKE SYSTEMS

---

Front Brake Assembly .....	4-3
Rear Brake Assembly .....	4-5
Master Cylinder with Remote Reservoir .....	4-7
Master Cylinder with Integral Reservoir .....	4-9
Hydraulic Brake Lines and Clips .....	4-11
Brake Pedal Assembly .....	4-13
Park Brake System .....	4-15
Park Brake Pedal Assembly .....	4-17

---

## SECTION 5 – STEERING AND SUSPENSION

---

Steering Column .....	5-3
Steering Gear Assembly .....	5-5
Front Suspension – A-Arms .....	5-7
Cv Boot Repair Kits .....	5-9
Shock Absorbers – Standard .....	5-11
Shock Absorbers – High Capacity .....	5-13
Rear Suspension – Standard .....	5-15

---

## SECTION 6 – ELECTRICAL SYSTEM

---

Wiring – Gasoline Vehicles, Single Piece .....	6-5
Wiring – Gasoline Vehicle, Multi-Piece .....	6-9
Wiring – Diesel Vehicle, Single Piece .....	6-13
Wiring – Diesel Vehicle, Multi-Piece .....	6-17
Electrical Component Box, Gasoline Vehicles .....	6-19
Electrical Component Box, Diesel Vehicles .....	6-21
Electrical Components – Gas .....	6-23
Electrical Components – Diesel .....	6-25
Battery – Gasoline Vehicles .....	6-27
Battery – Diesel Vehicles .....	6-29

---

## SECTION 7 – DIESEL ENGINE – CLOSED BREATHER

---

Kubota D722 Diesel Engine Mounting .....	7-3
Crankcase .....	7-5
Oil Pan .....	7-7
Cylinder Head .....	7-9
Gear Case .....	7-11
Head Cover .....	7-13

# CONTENTS

---

Dipstick and Guide .....	7-15
Oil Pump .....	7-17
Main Bearing Case .....	7-19
Camshaft and Idle Gear .....	7-21
Piston and Crankshaft .....	7-23
Flywheel .....	7-25
Shaft .....	7-27
Idle Apparatus .....	7-29
Stop Solenoid .....	7-31
40-Amp Alternator .....	7-33
60-Amp Alternator .....	7-35
Injection Pump .....	7-37
Speed Control Plate .....	7-39
Nozzle Holders and Glow Plugs .....	7-41
Governor Components .....	7-43
Starter .....	7-45
Valves and Rocker Arms .....	7-47
Diesel Inlet Manifold .....	7-49
Exhaust Manifold .....	7-51
Gasket Kits .....	7-53
Piston Kit .....	7-55

## SECTION 8 – HONDA GX620 GASOLINE ENGINE

---

Honda GX620 Gasoline Engine Mounting .....	8-3
Shrouds and Brackets .....	8-5
Ignition Components and Flywheel .....	8-7
Oil Circulation .....	8-9
Cylinder Head .....	8-11
Crankcase and Crankshaft .....	8-13
Oil Filter Adapter and Voltage Regulator .....	8-15

## SECTION 9 – KAWASAKI FH680D GASOLINE ENGINE

---

Kawasaki FH680D Gasoline Engine Mounting .....	9-3
Shrouds and Brackets .....	9-5
Ignition Components and Flywheel .....	9-7
Governor Arm and Springs .....	9-9
Oil and Lubrication Components .....	9-11
Oil Filter Adapter .....	9-13
Cylinder Head and Crankcase .....	9-15

# CONTENTS

---

Valves and Camshaft .....	9-17
Pistons and Crankshaft .....	9-19

## SECTION 10 – FUEL, INTAKE, & GOVERNOR SYSTEM

---

Fuel System – Kawasaki Gasoline Vehicles .....	10-3
Fuel System – Honda Gasoline Vehicles .....	10-5
Fuel Tank – Gasoline Vehicles .....	10-7
Fuel System – Diesel .....	10-9
Fuel Tank – Diesel Vehicles .....	10-11
Carburetor Assembly, Kawasaki Gasoline Vehicles .....	10-13
Carburetor Installation – Kawasaki Gasoline Vehicles .....	10-15
Carburetor Assembly, Honda Gasoline Vehicles .....	10-17
Carburetor Installation – Honda Gasoline Vehicles .....	10-19
Cables – Kawasaki Gasoline Vehicles .....	10-21
Cables – Honda Gasoline Vehicle .....	10-23
Cables – Diesel Vehicle .....	10-25
Accelerator Pedal Assembly – Style A .....	10-27
Accelerator Pedal Assembly – Style B .....	10-29
Intake Duct and Air Box Assembly – Kawasaki Gasoline Vehicles .....	10-31
Intake Duct and Air Box Assembly – Honda Gasoline Vehicles .....	10-33
Intake Duct and Air Box Assembly – Diesel Vehicles .....	10-35

## SECTION 11 – EXHAUST SYSTEM

---

Exhaust System .....	11-3
Exhaust Header – Kawasaki Gas .....	11-5
Exhaust Header – Honda Gas .....	11-7
Exhaust Pipes – Diesel Vehicles .....	11-9

## SECTION 12 – CLUTCHES

---

Clutch Cover (Standard) .....	12-3
Clutch Cover (Sealed) .....	12-5
Drive Belt .....	12-7
Drive Clutch – Gasoline Vehicles .....	12-9
Drive Clutch – Diesel Vehicles .....	12-11
Driven Clutch .....	12-13
Drive Clutch – Gasoline Vehicles .....	12-15

# CONTENTS

---

## SECTION 13 – DRIVETRAIN COMPONENTS

---

Forward/Reverse Shifter Assembly .....	13-3
Front Differential Mounting Plate .....	13-5
Front Differential (Output Components) .....	13-7
Front Differential (Input Components) .....	13-9
Prop Shafts .....	13-11
Transmission – Gasoline Vehicles .....	13-13
Transmission, Continued .....	13-15
Transmission Shift Shaft and Bell Crank Transmission Shift Shaft and Bell Crank (Style A) .....	13-17
Transmission Shift Shaft and Bell Crank (Style B) .....	13-19
Rear Differential .....	13-21
Rear Differential, Continued .....	13-23
Transmission – Diesel Vehicles .....	13-25
Transmission – Diesel Vehicles, Continued .....	13-27
Transmission – Diesel Vehicles, Shift Shaft and Bell Crank (Style A) .....	13-29
Transmission – Diesel Vehicles, Shift Shaft and Bell Crank (Style B) .....	13-31

---

## SECTION 14 – RADIATOR AND COOLANT SYSTEM – DIESEL VEHICLES

---

Radiator .....	14-3
Coolant Expansion Tank .....	14-5
Coolant Pipes and Hoses .....	14-7
Cooling System Clamps, Hoses, and Hardware .....	14-9
Water Flange and Thermostat .....	14-11
Water Pump .....	14-13
Block Coolant Pipe .....	14-15

---

## SECTION 15 – MAINTENANCE AND SERVICE TOOLS

---

Maintenance and Service Tools .....	15-3
Maintenance and Service Tools, Continued .....	15-5
Maintenance and Service Tools, Continued .....	15-7
Maintenance and Service Tools, Continued .....	15-9
Maintenance and Service Tools, Continued .....	15-11

---

## SECTION i – INDEX

---



# BODY AND TRIM

---

**1**

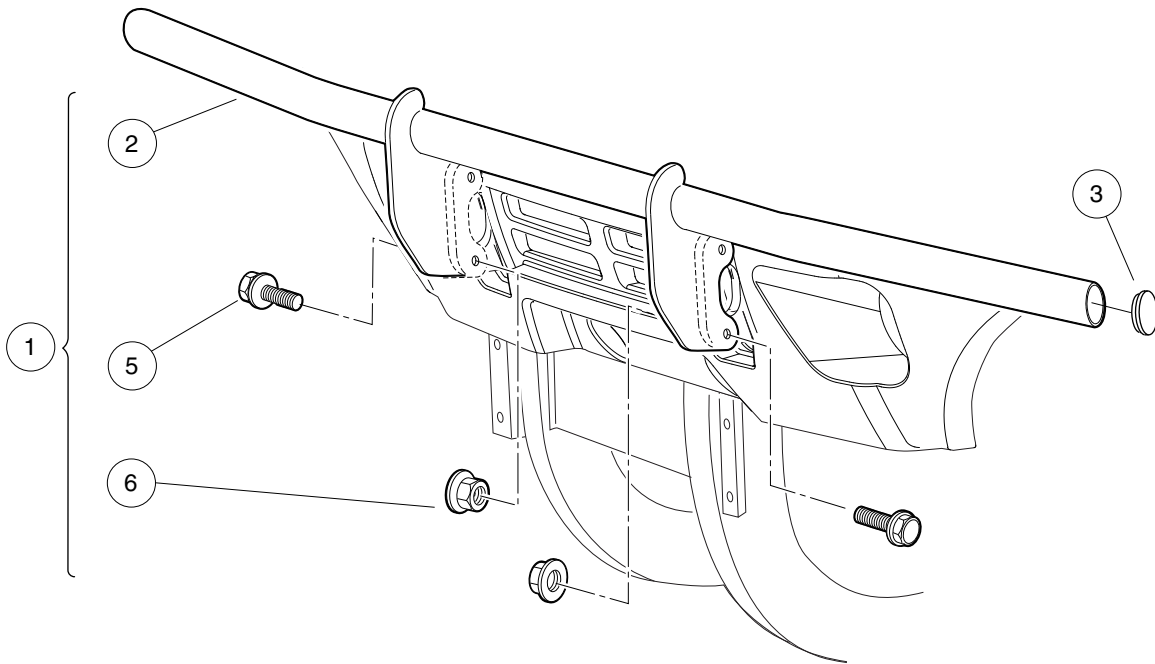
**G**

**D**

1

G

D



000526-001



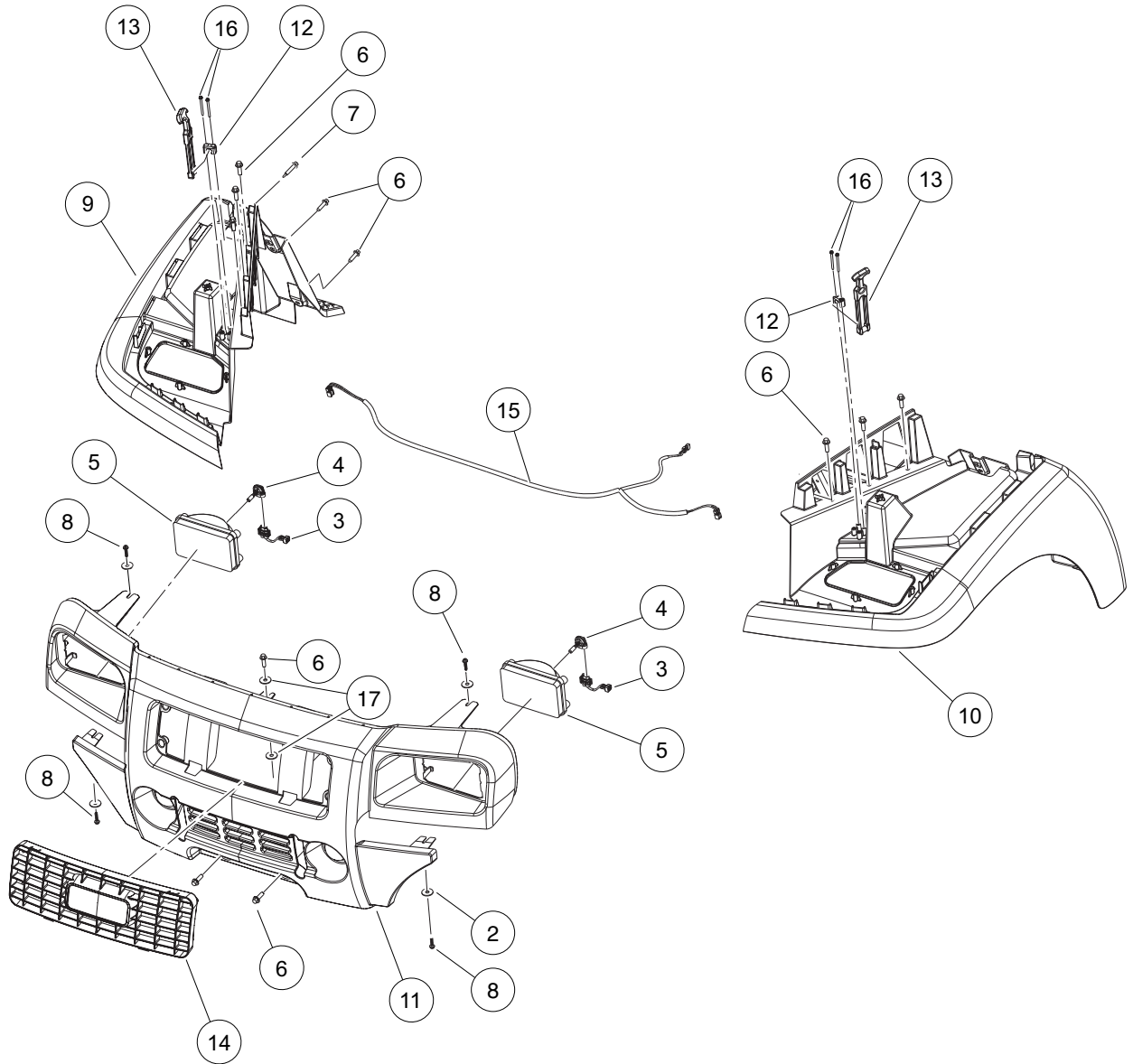
# BRUSH GUARD

ITEM	PART NO.	DESCRIPTION	QTY
		<b>1 2 3 4</b>	
1	103236001	Kit, Tube Bumper CCI (includes items 2 through 6) .....	1
2	N/A	Weldment, Frt Bumper, Restyle .....	1
3	103215401	Plug, Tube, Round, 1-3/4" .....	2
4	N/A	Instructions, Brushguard/Bumper .....	1
5	103231701	Screw, M10 X 1.25 X 30 Hex Blk .....	4
6	103231801	Nut, Flg, M10 X 1.25 Hex Blk .....	4
		Note: Brushguard is standard on XRT vehicles and is optional on Carryall vehicles.	

**1**  
**G**  
**D**

**1**  
**G**

**D**



000507-001

## FASCIA AND FENDERS – CARRYALL VEHICLES

ITEM	PART NO.	DESCRIPTION	QTY
		1 2 3 4	
1	N/A	Instl, Fascia, Fenders, CA (includes items 2 through 17) .....	1
2	1011578	Washer, 5/16 Type B Flat .....	4
3	101987901	Connector Harness Assembly, Headlight .....	2
4	101988101	Bulb, Headlight .....	2
5	101988201	Lens, Headlight .....	2
6	102289001	Screw, M8X1.25X30, Hex .....	13
7	102292356	Screw-1/4-20x56 Hwh Self Drill .....	2
8	102297230	Screw,m6,torx,interlock,thread .....	4
9	102866901	Fender, Front, Pass, AWD .....	1
10	102867001	Fender, Front, Drv, AWD .....	1
11	102867501	Fascia, Front, CA, AWD .....	1
12	102882401	Bracket, Latch, Draw .....	2
13	102895101	Latch, Draw, Hood .....	2
14	102979401	Grill, CA295 .....	1
15	103213301	Harness, XRT/CA Restyle HDL .....	1
16	103218107	Screw, #8x2.00 AB Thd, Hex Hd .....	4
17	808	Washer, 3/8 Type B Flat .....	2

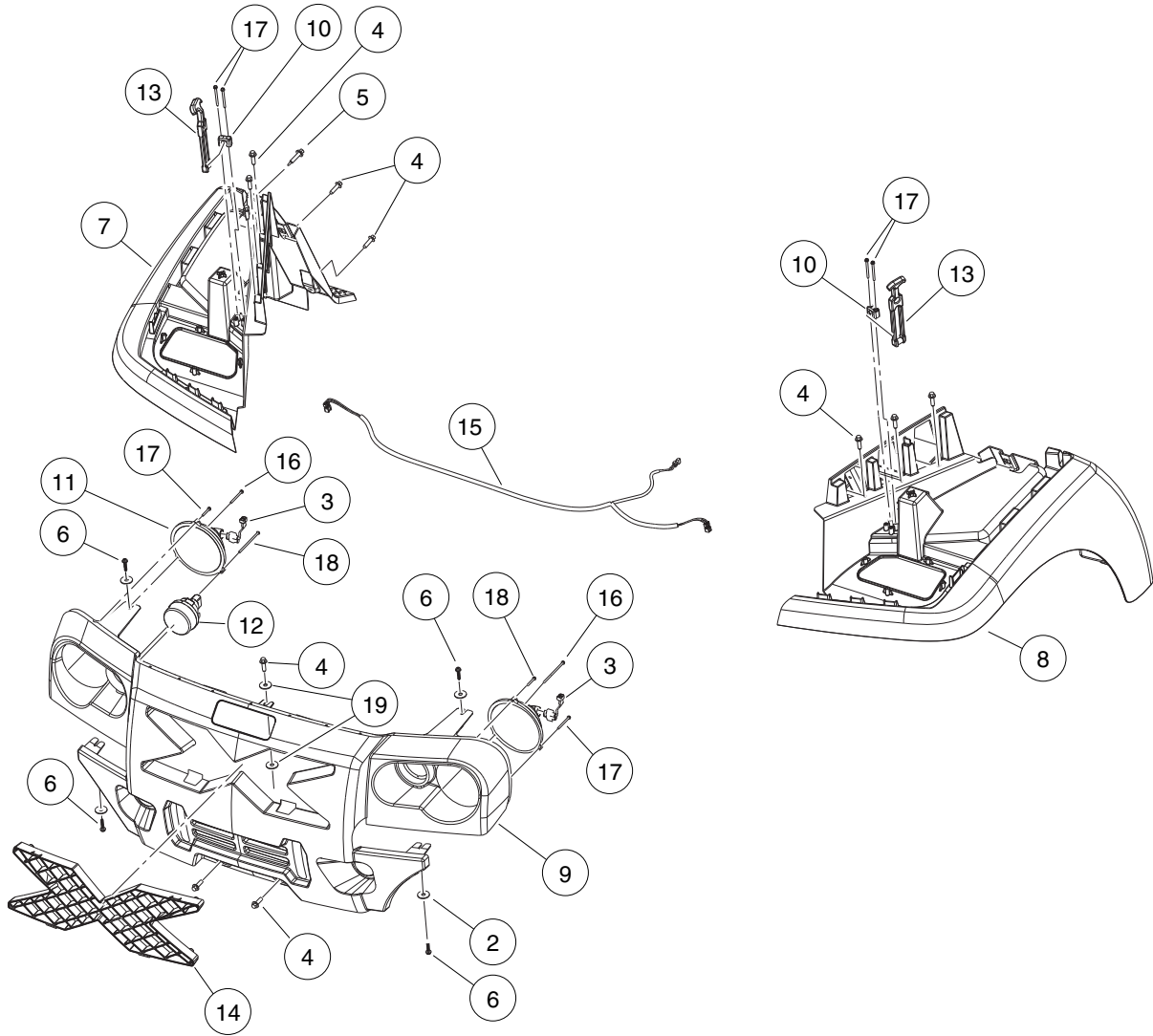
**1**

**G**

**D**

**1**  
**G**

**D**



000522-001

## FASCIA AND FENDERS – XRT VEHICLES

ITEM	PART NO.	DESCRIPTION	QTY
		<b>1 2 3 4</b>	
1	N/A	Instl, Fascia, Fenders, XRT (includes items 2 through 19) .....	1
2	1011578	Washer, 5/16 Type B Flat .....	4
3	101987901	Connector Harness Assembly, Headlight .....	2
4	102289001	Screw, M8X1.25X30, Hex .....	13
5	102292356	Screw-1/4-20x56 Hwh Self Drill .....	2
6	102297230	Screw,m6,torx,interlock,thread .....	4
7	102866901	Fender, Front, Pass, AWD .....	1
8	102867001	Fender, Front, Drv, AWD .....	1
9	102867401	Fascia, Front, XRT, AWD .....	1
10	102882401	Bracket, Latch, Draw .....	2
11	102894401	Headlight, 6 In Round .....	2
12	102894501	Light, Turn Signal, Round, 3" .....	2
13	102895101	Latch, Draw, Hood .....	2
14	102979301	Grill, XRT .....	1
15	103213301	Harness, XRT/CA Restyle HDL .....	1
16	103218104	Screw, #8x1.25 Ab Thd, Hex Hd .....	2
17	103218107	Screw, #8x2.00 AB Thd, Hex Hd .....	6
18	103218113	Screw, #8x3.50 Ab Thd, Hex Hd .....	2
19	808	Washer, 3/8 Type B Flat .....	2

**1**

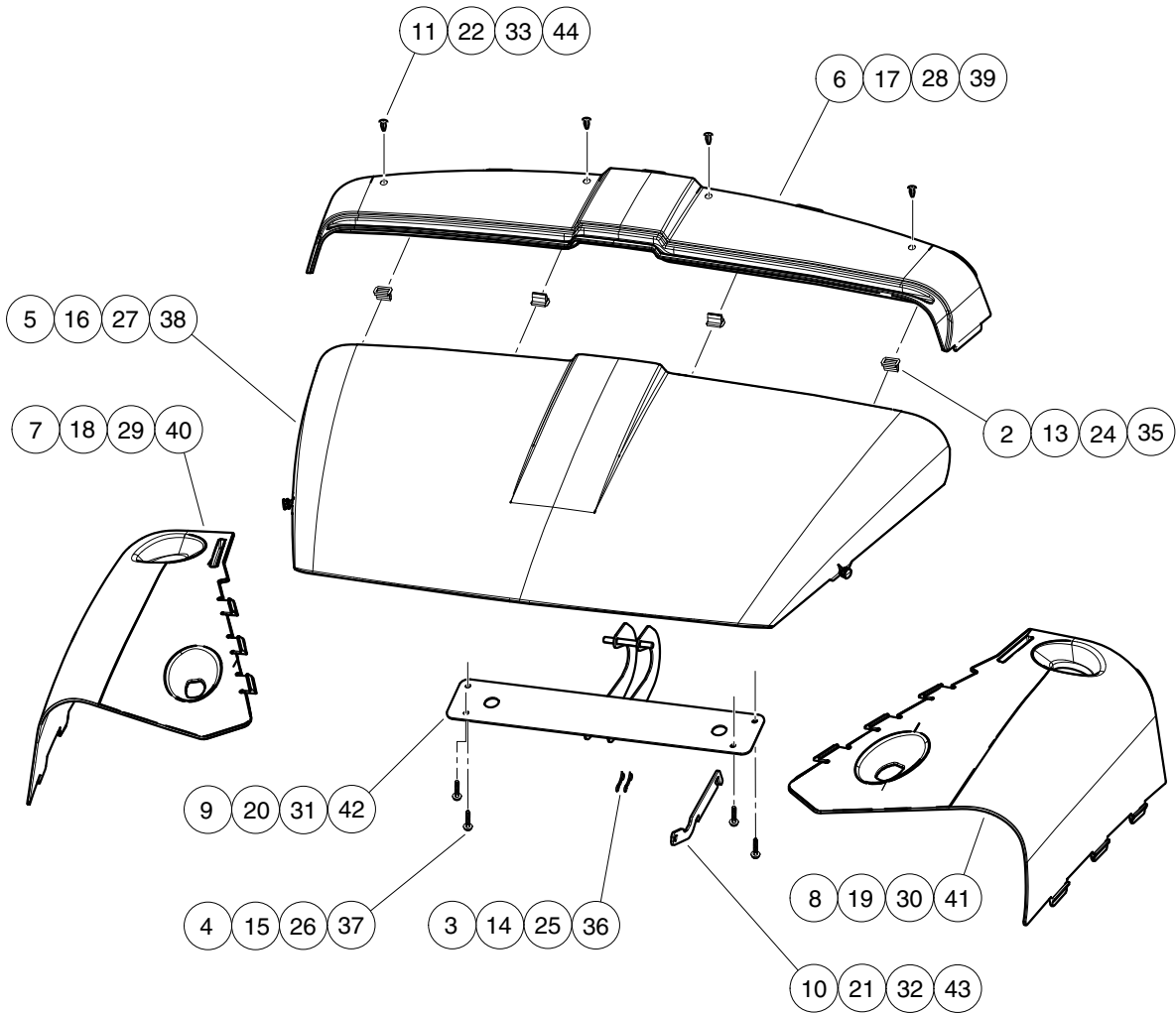
**G**

**D**

1

G

D



000508-001

## COWL ASSEMBLIES – CARRYALL VEHICLES

ITEM	PART NO.	DESCRIPTION	QTY
		<b>1 2 3 4</b>	
1	N/A	Option, Color, CA, Dark Grn (includes items 2 through 11) .....	1
2	102292701	Clip-body-trim .....	4
3	102292801	Pin, Bow Tie Locking - .072 .....	2
4	102297230	Screw,m6,torx,interlock,thread .....	4
5	102866510	Hood, Dark Green .....	1
6	102866610	Panel, Cowl, Center, Dark Green .....	1
7	102866710	Panel, Cowl, Passenger-Side, Dark Green .....	1
8	102866810	Panel, Cowl, Driver-Side, Dark Green .....	1
9	102896401	Weldment, Hinge, Hood .....	1
10	102896501	Prop, Hood .....	1
11	102967901	Rivet, Removable, Tuflok 1/4" .....	4
12	N/A	Option, Color, CA, Dark Gray (includes items 13 through 22) .....	1
13	102292701	Clip-body-trim .....	4
14	102292801	Pin, Bow Tie Locking - .072 .....	2
15	102297230	Screw,m6,torx,interlock,thread .....	4
16	102866514	Hood, Dark Gray .....	1
17	102866614	Panel, Cowl, Center, Dark Gray .....	1
18	102866714	Panel, Cowl, Passenger-Side, Dark Gray .....	1
19	102866814	Panel, Cowl, Driver-Side, Gray .....	3
20	102896401	Weldment, Hinge, Hood .....	2
21	102896501	Prop, Hood .....	1
22	102967901	Rivet, Removable, Tuflok 1/4" .....	4
23	N/A	Option, Color, CA, Real Tree Camo (includes items 24 through 33) .....	1
24	102292701	Clip-body-trim .....	4
25	102292801	Pin, Bow Tie Locking - .072 .....	2
26	102297230	Screw,m6,torx,interlock,thread .....	4
27	102866518	Hood, Real Tree Camo .....	1
28	102866618	Panel, Cowl, Center, Real Tree Camo .....	1
29	102866718	Panel, Cowl, Passenger-Side, Real Tree Camo .....	1
30	102866818	Panel, Cowl, Driver-Side, Real Tree Camo .....	1
31	102896401	Weldment, Hinge, Hood .....	1
32	102896501	Prop, Hood .....	1
33	102967901	Rivet, Removable, Tuflok 1/4" .....	4
34	N/A	Option, Color, CA, Dlx Real Tree Camo (includes items 35 through 44) .....	1
35	102292701	Clip-body-trim .....	4
36	102292801	Pin, Bow Tie Locking - .072 .....	2
37	102297230	Screw,m6,torx,interlock,thread .....	4
38	102866518	Hood, Real Tree Camo .....	1
39	102866618	Panel, Cowl, Center, Real Tree Camo .....	1
40	102866718	Panel, Cowl, Passenger-Side, Real Tree Camo .....	1
41	102866818	Panel, Cowl, Driver-Side, Real Tree Camo .....	1
42	102896401	Weldment, Hinge, Hood .....	1
43	102896501	Prop, Hood .....	1
44	102967901	Rivet, Removable, Tuflok 1/4" .....	4

**1**

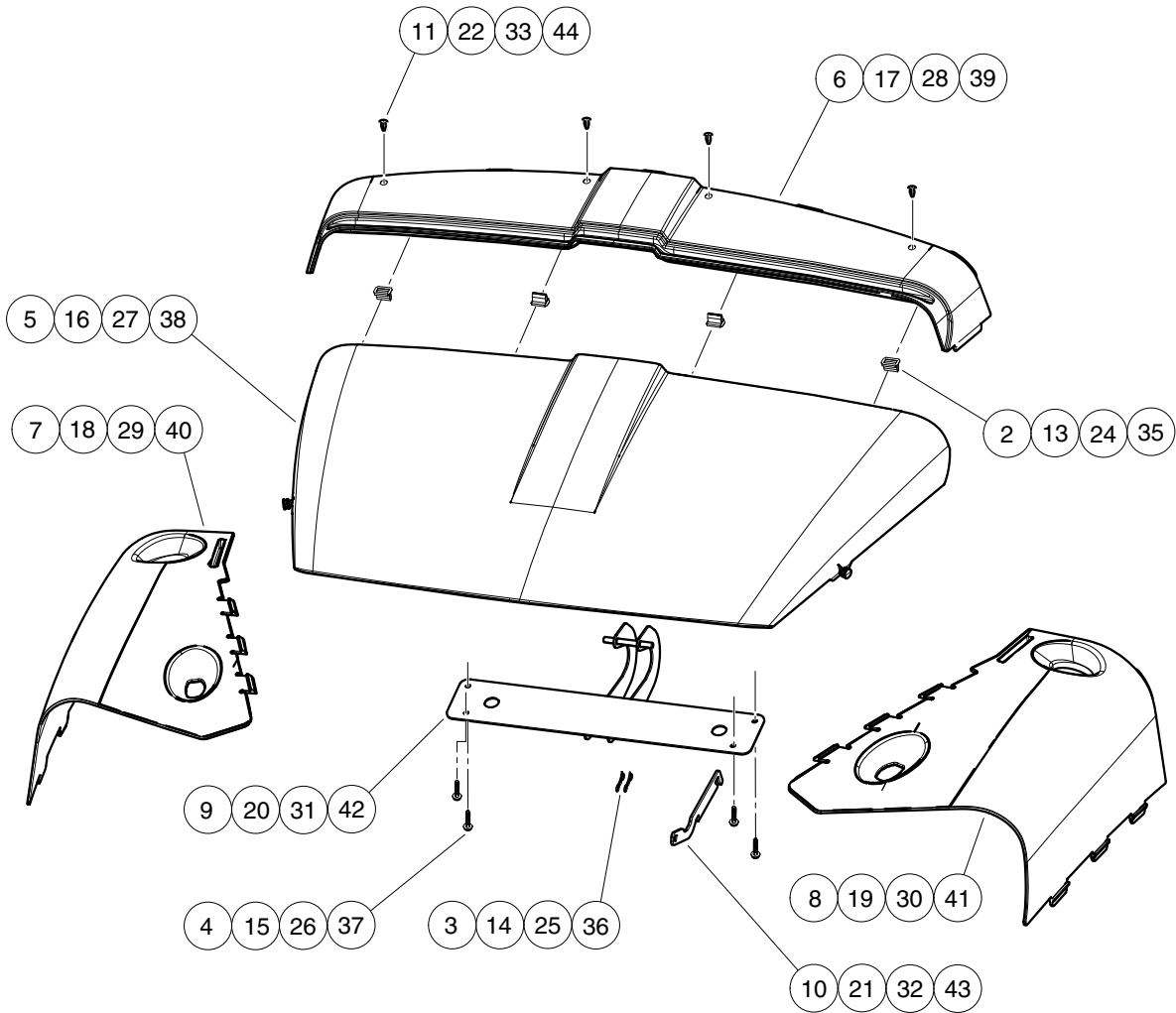
**G**

**D**

1

G

D



000508-001



# COWL ASSEMBLIES – XRT VEHICLES

ITEM	PART NO.	DESCRIPTION	QTY
		<b>1 2 3 4</b>	
1	N/A	Option, Color, XRT, Dark Green (includes items 2 through 11) .....	1
2	102292701	Clip-body-trim .....	4
3	102292801	Pin, Bow Tie Locking - .072 .....	2
4	102297230	Screw,m6,torx,interlock,thread .....	4
5	102866510	Hood, Dark Green .....	1
6	102866610	Panel, Cowl, Center, Dark Green .....	1
7	102866710	Panel, Cowl, Passenger-Side, Dark Green .....	1
8	102866810	Panel, Cowl, Driver-Side, Dark Green .....	1
9	102896401	Weldment, Hinge, Hood .....	1
10	102896501	Prop, Hood .....	1
11	102967901	Rivet, Removable, Tuflok 1/4" .....	4
12	N/A	Option, Color, XRT, Red (includes items 13 through 22) .....	1
13	102292701	Clip-body-trim .....	4
14	102292801	Pin, Bow Tie Locking - .072 .....	2
15	102297230	Screw,m6,torx,interlock,thread .....	4
16	102866515	Hood, Red .....	1
17	102866615	Panel, Cowl, Center, Red .....	1
18	102866715	Panel, Cowl, Passenger-Side, Red .....	1
19	102866815	Panel, Cowl, Driver-Side, Red .....	1
20	102896401	Weldment, Hinge, Hood .....	2
21	102896501	Prop, Hood .....	1
22	102967901	Rivet, Removable, Tuflok 1/4" .....	4
23	N/A	Option, Color, XRT, Real Tree Camo (includes items 24 through 33) .....	1
24	102292701	Clip-body-trim .....	4
25	102292801	Pin, Bow Tie Locking - .072 .....	2
26	102297230	Screw,m6,torx,interlock,thread .....	4
27	102866518	Hood, Real Tree Camo .....	1
28	102866618	Panel, Cowl, Center, Real Tree Camo .....	1
29	102866718	Panel, Cowl, Passenger-Side, Real Tree Camo .....	1
30	102866818	Panel, Cowl, Driver-Side, Real Tree Camo .....	1
31	102896401	Weldment, Hinge, Hood .....	1
32	102896501	Prop, Hood .....	1
33	102967901	Rivet, Removable, Tuflok 1/4" .....	4
34	N/A	Option, Color, XRT, Dlx Real Tree Camo (includes items 35 through 44) .....	1
35	102292701	Clip-body-trim .....	4
36	102292801	Pin, Bow Tie Locking - .072 .....	2
37	102297230	Screw,m6,torx,interlock,thread .....	4
38	102866518	Hood, Real Tree Camo .....	1
39	102866618	Panel, Cowl, Center, Real Tree Camo .....	1
40	102866718	Panel, Cowl, Passenger-Side, Real Tree Camo .....	1
41	102866818	Panel, Cowl, Driver-Side, Real Tree Camo .....	1
42	102896401	Weldment, Hinge, Hood .....	1
43	102896501	Prop, Hood .....	1
44	102967901	Rivet, Removable, Tuflok 1/4" .....	4

1

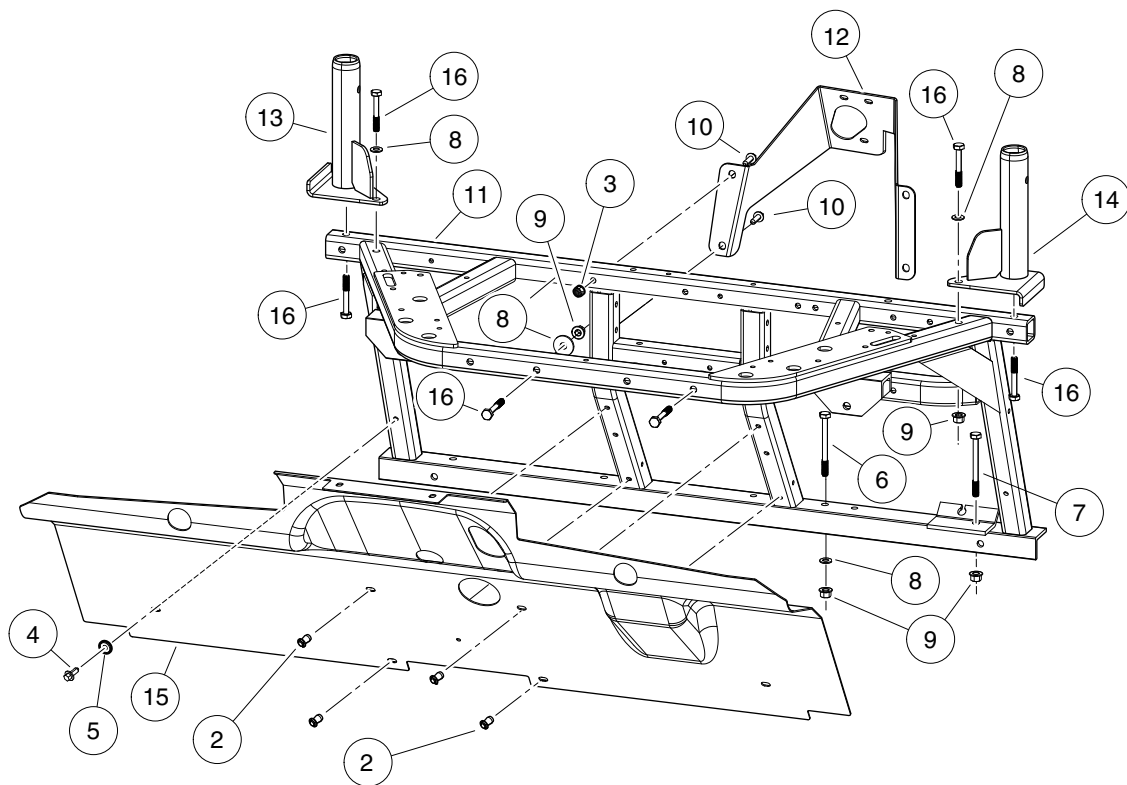
G

D

**1**

**G**

**D**



000521-001

# FRONT BODY COMPONENTS

ITEM	PART NO.	DESCRIPTION	QTY
		1 2 3 4	
1	N/A	Instl, Cowl Weldmnt/Splash Guard (includes items 2 through 16) .....	1
2	1016967	Blind Rivet, Push Type .....	4
3	102298401	Nut,m8,all Metal Lock .....	2
4	102298720	M8-1.25x20 Taptite .....	2
5	102323501	Washer, Flat, 3/8, Blk Fin .....	2
6	102491301	Bolt, M10x1.50x100 (Black) .....	3
7	102491302	Bolt, M10 X 1.50 X 110 Black .....	1
8	102491501	Washer Hard,m10 .....	12
9	102617201	Nut Flg M10 X 1.5 Mech Def .....	10
10	102618301	Bolt Flanged Head, M8 X 1.25 X 65 .....	2
11	102935501	Weldment, Dash, Front .....	1
12	102977201	Bracket, Column, Steering .....	1
13	102983201	Weldment, Front, Base, ROPS, Right-Hand .....	1
14	102983601	Weldment, Front, Base, ROPS, Left-Hand .....	1
15	103296001	Guard, Splash, Gas Injection .....	1
16	96715552	Bolt, M10 X 1.50 X 65 .....	8

**1**

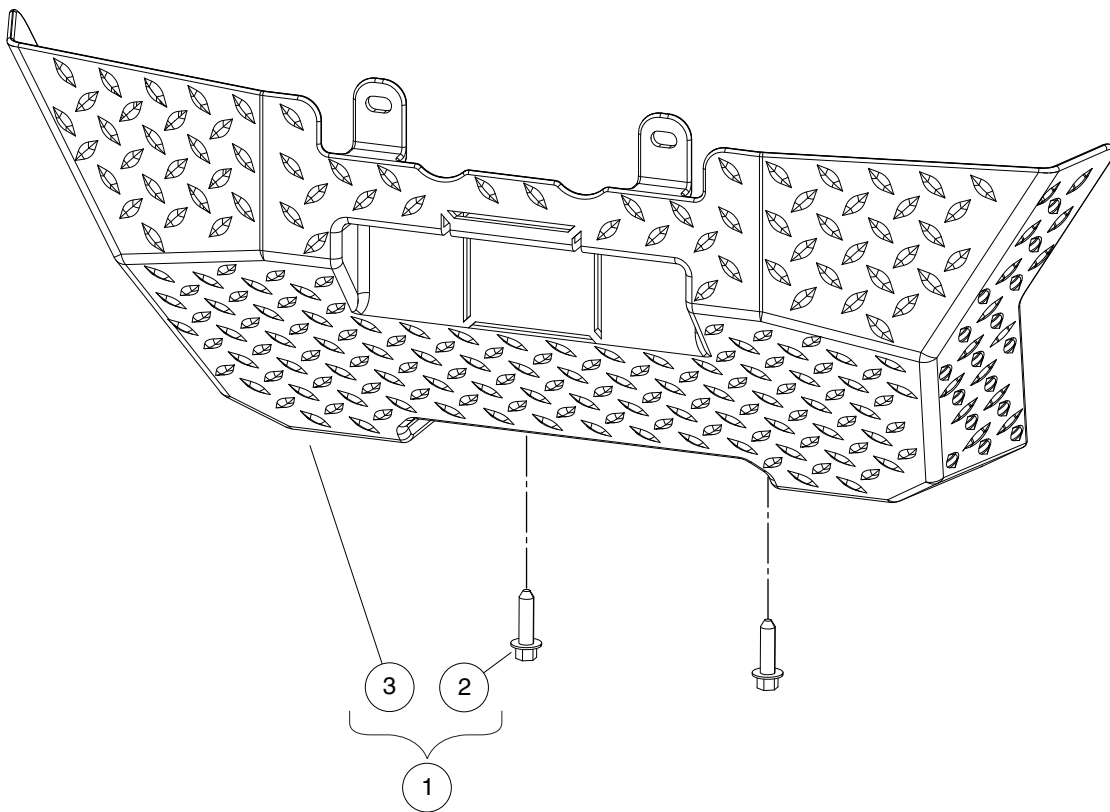
**G**

**D**

1

G

D



000537-002

# PLASTIC SKID PLATE

ITEM	PART NO.	DESCRIPTION	QTY
		1 2 3 4	
1	N/A	Instl, Skid, Std (includes items 2 and 3) .....	1
2	102289001	Screw, M8X1.25X30, Hex .....	2
3	102882301	Plate, Skid, Std .....	1

1

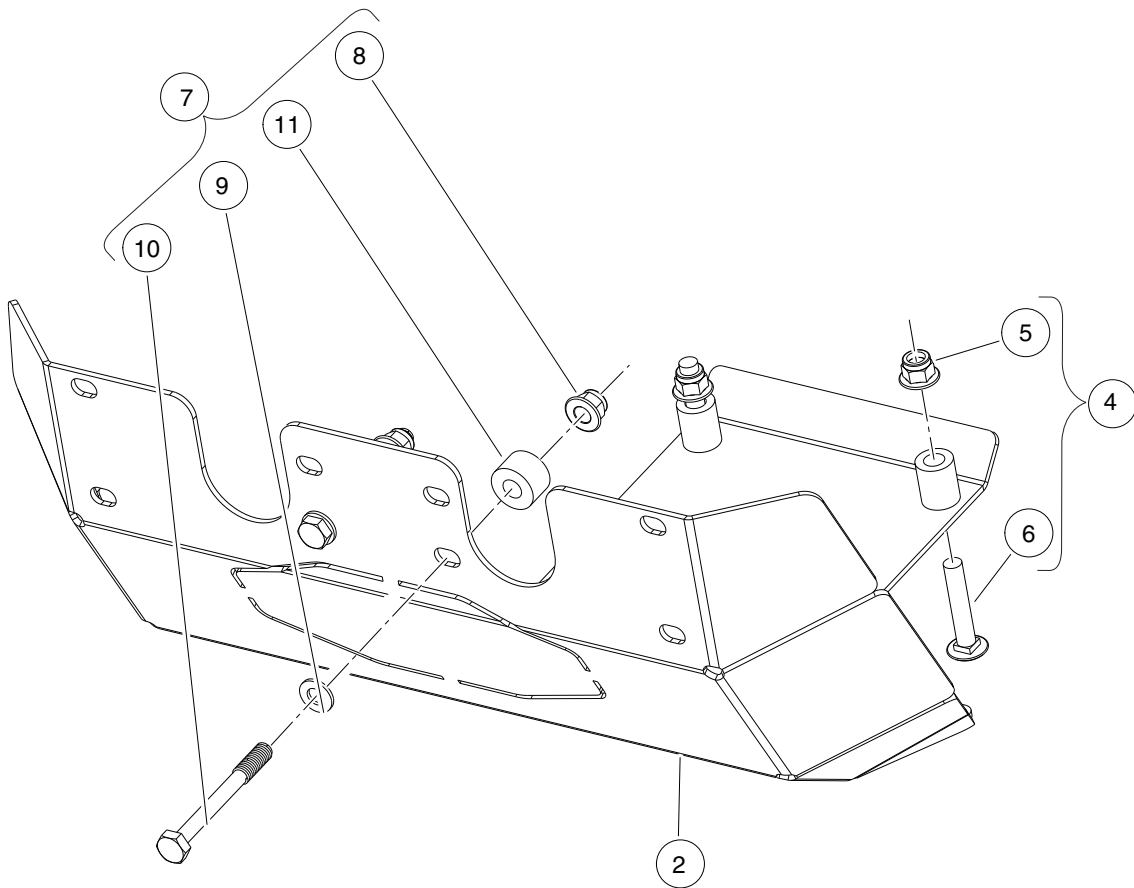
G

D

1

G

D



000537-001

# STEEL SKID PLATE

ITEM	PART NO.	DESCRIPTION	QTY
		<b>1 2 3 4</b>	
1	AM1211003	Kit, Skidplate, Front, Steel (includes items 2 through 7) .....	1
2	AM1210002	Skid Plate, Front, Steel .....	1
3	N/A	Instructions, Front Skidplate .....	1
4	AM1215701	Kit, Hardware, Skidplate, Front, A (includes items 5 and 6) .....	1
5	102670701	Nut Flg M10 X 1.5 Nylon .....	2
6	AM1210801	Bolt, Carriage, M10x1.5x55 .....	2
7	AM1215801	Kit, Hardware, Skidplate, Front, B (includes items 8 through 11) .....	1
8	102670701	Nut Flg M10 X 1.5 Nylon .....	2
9	102718101	Washer, Hard, M10, Zn-Ni/Blk .....	2
10	102719301	Bolt, M10 X 1.50 X 90, Loctite .....	2
11	AM1211401	Spacer, 17mm Long, Skidplate .....	2

**1**

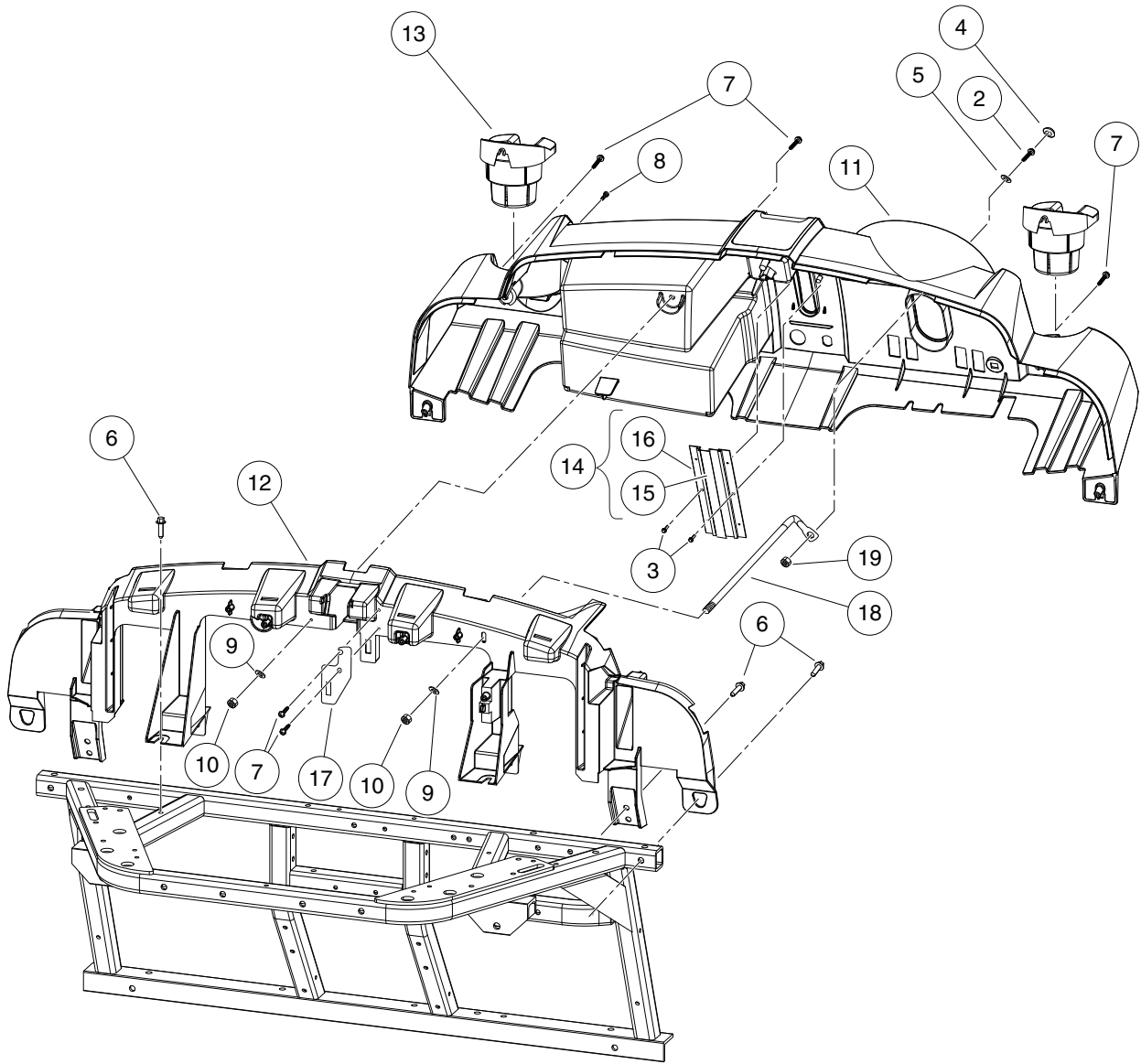
**G**

**D**

1

G

D



000519-001



# DASH

ITEM	PART NO.	DESCRIPTION	QTY
		<b>1 2 3 4</b>	
1	N/A	Instl, Dash (includes items 2 through 19) .....	1
2	1016916	Screw, 1/4-20 X 1.50 Hex-Head Cap .....	1
3	101804301	Screw, #8 X 0.500, Hex-Head Hi-Lo .....	2
4	102045001	Cap, 1/4" Plastic Screw Head .....	1
5	102048401	Washer, 1/4 Id Scalloped Plast .....	1
6	102289001	Screw, M8X1.25X30, Hex .....	6
7	102297230	Screw,m6,torx,interlock,thread .....	5
8	102298580	M8-1.25 X 80 Sems .....	1
9	102491501	Washer Hard,m10 .....	2
10	102618601	Lock Nut, Flg M8 X 1.25 Nylon .....	2
11	102867101	Dash, Design A .....	1
12	102867301	Support, Structural .....	1
13	102883401	Cup Holder, Utility .....	2
14	103233001	Asm, Brush, Fnr (includes items 15 and 16) .....	2
15	103179901	Brush, Strip, FNR .....	2
16	103180001	Holder, Brush, Strip, Fnr .....	2
17	103253801	Bracket, Hood Support .....	1
18	103268001	Rod, Connection, Dash .....	1
19	8233	Locknut, 1/4-20 Nylon Insert .....	1

**1**

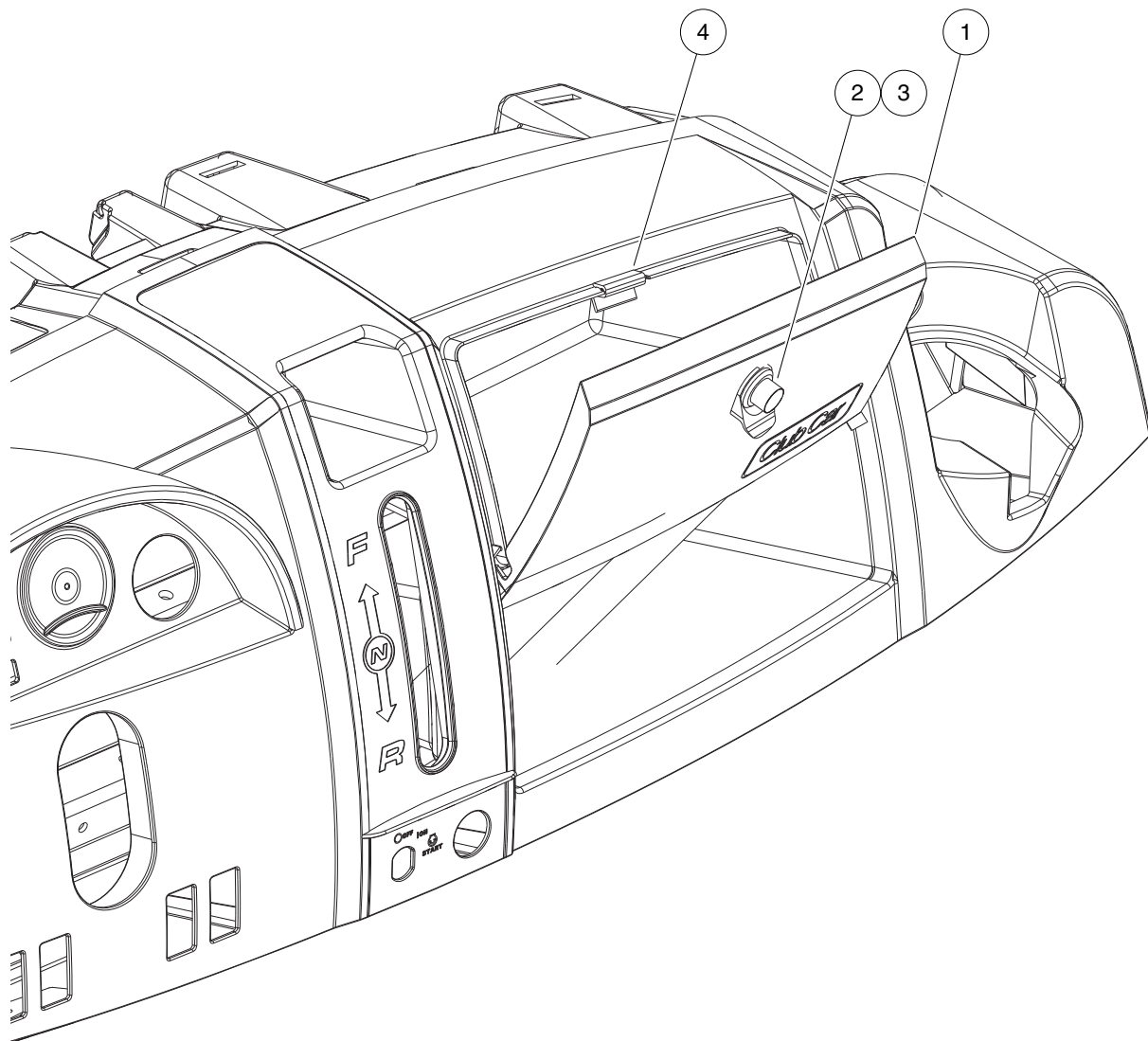
**G**

**D**

1

G

D



000789-001

# GLOVE BOX

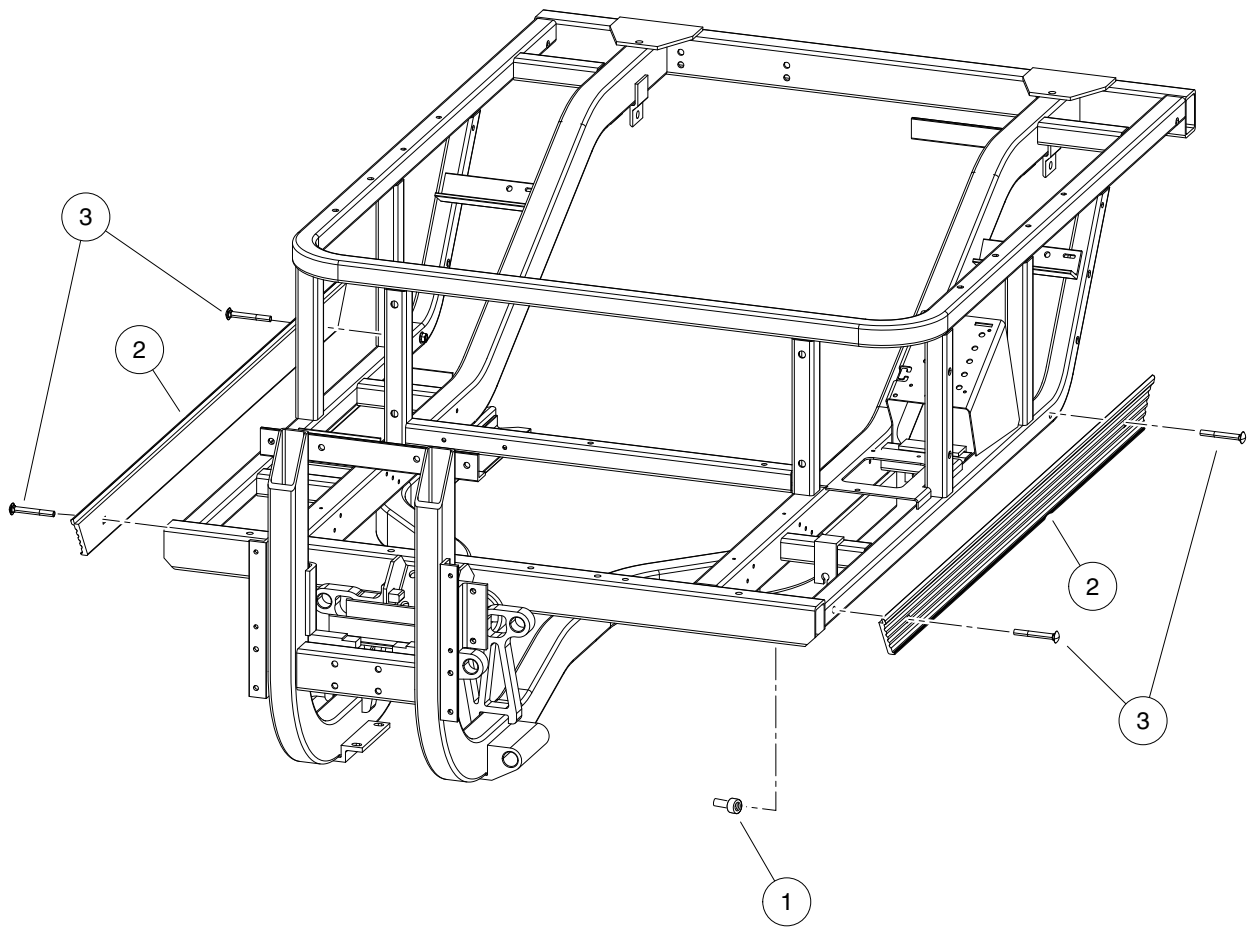
ITEM	PART NO.	DESCRIPTION	QTY
1	102867202	Cover, Storage, Dash, Blk, Cci .....	1
2	103182701	Latch, Push Close .....	1
3	103182702	Latch, Push Close W/ Key .....	1
4	103182801	Keeper, Latch, Push Close .....	1

**1**  
**G**  
**D**

1

G

D



000527-001

# SIDE STRINGERS

ITEM	PART NO.	DESCRIPTION	QTY
1	102491701	Well Nut 1/4-20 .....	8
2	103485501	Stringer, Side, 1200mm .....	2
3	103487501	Screw, 1/4-20 X 1.0, Black .....	8

**1**

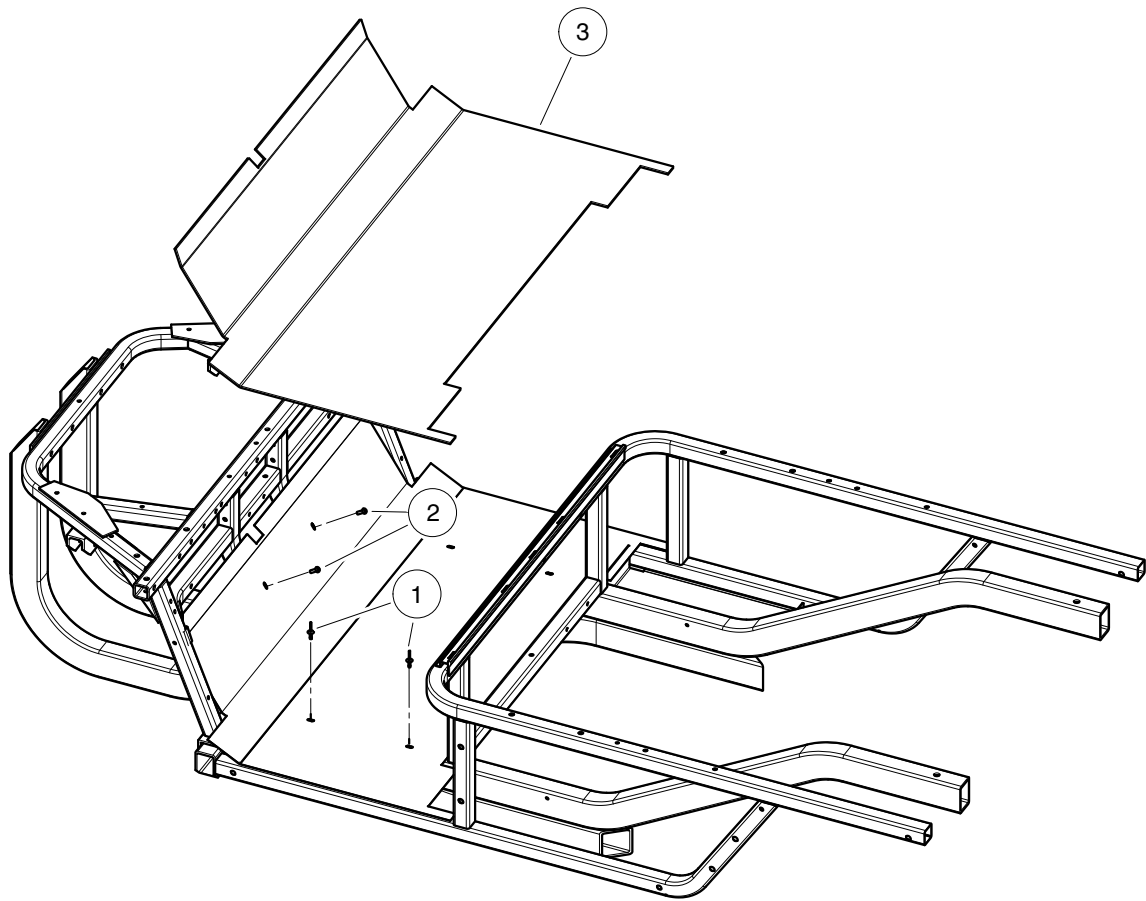
**G**

**D**

1

G

D



000520-001

# FLOOR MAT

ITEM	PART NO.	DESCRIPTION	QTY
		1 2 3 4	
1	1015392	Rivet, 3/16 Pop .....	4
2	102025801	Screw, 1/4-20 X .75 Torx Pn Hd .....	2
3	102895701	Floor Mat .....	1

1

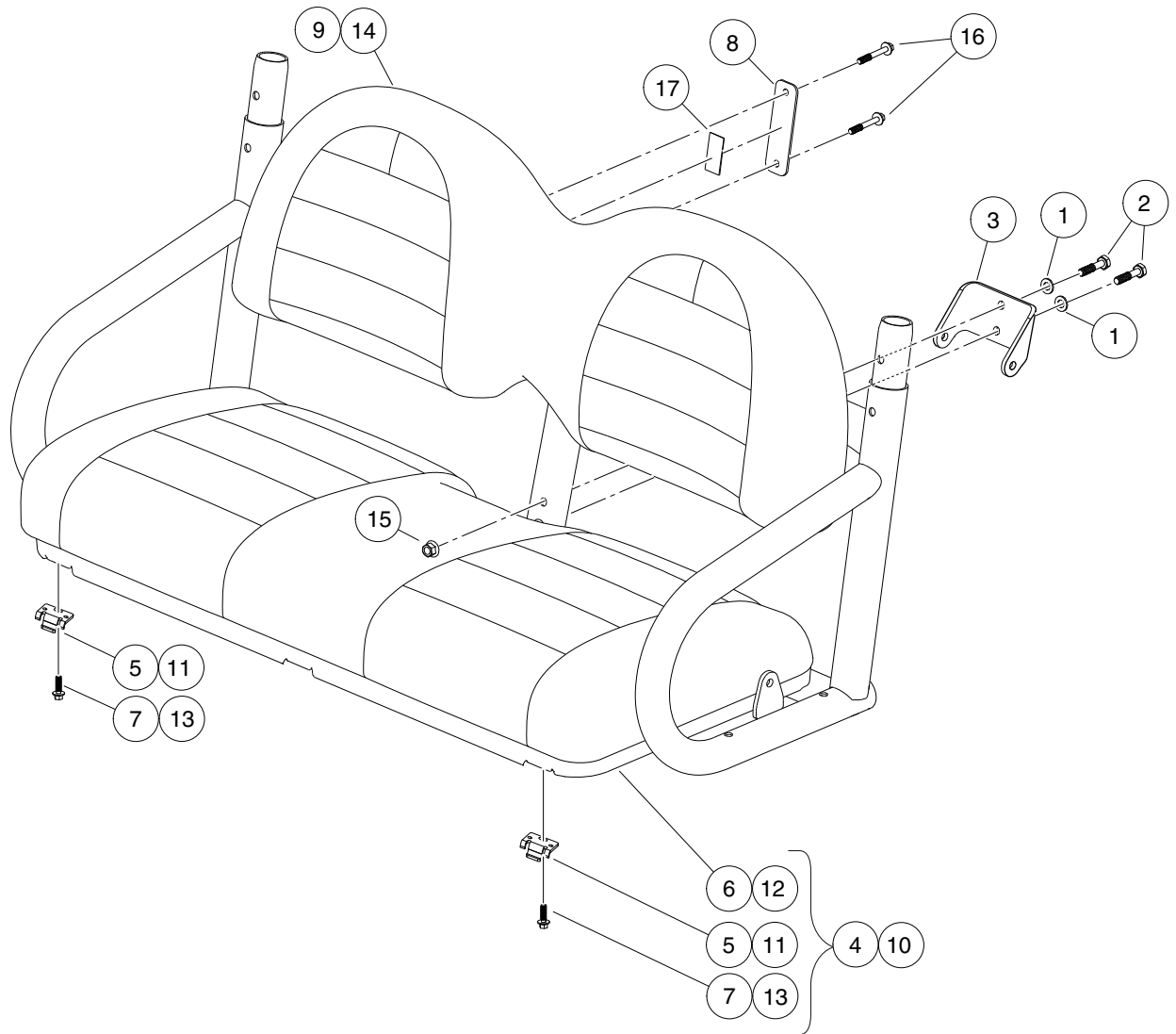
G

D

1

G

D



000523-001



# BENCH SEATS

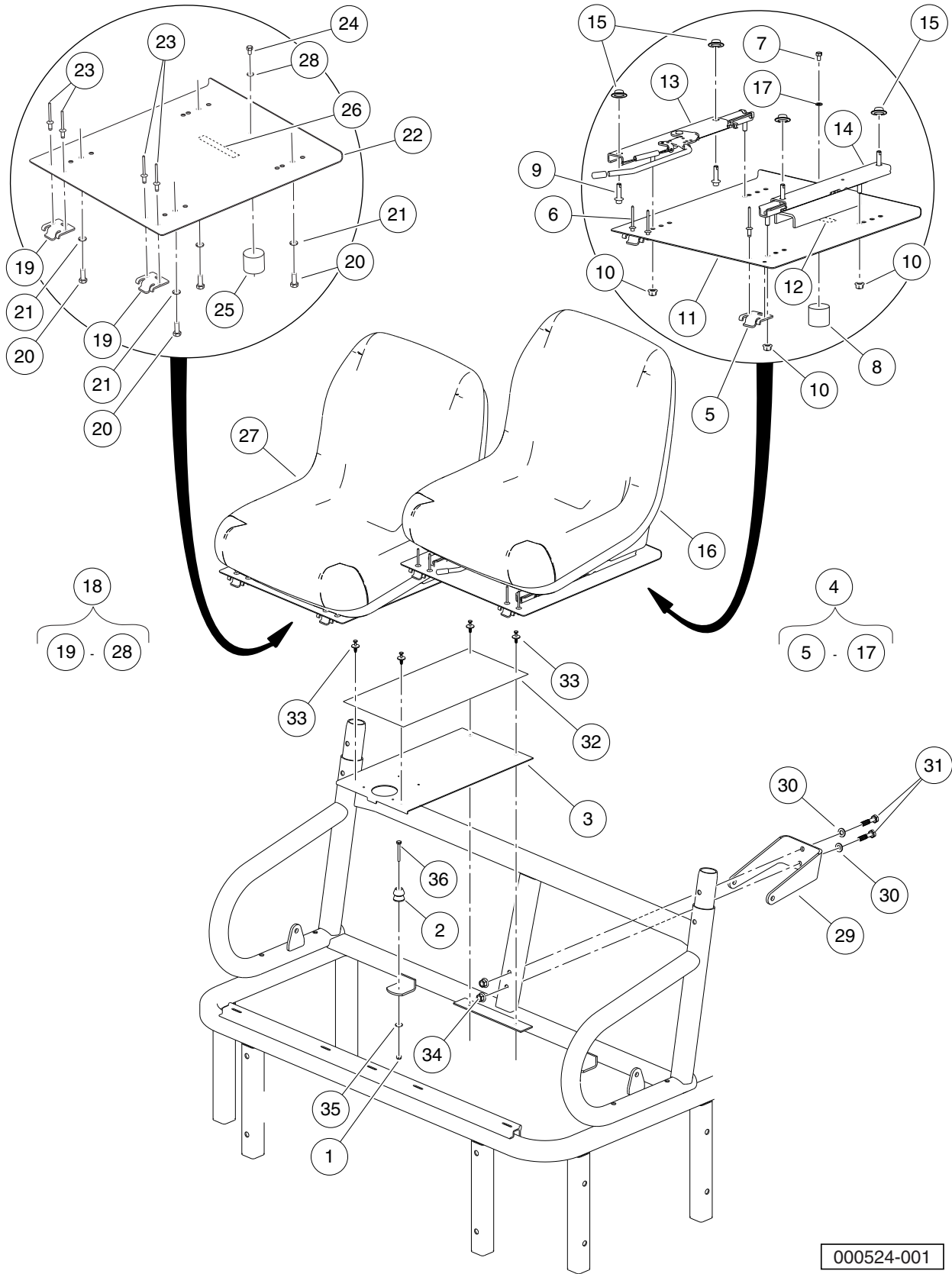
ITEM	PART NO.	DESCRIPTION	QTY
		<b>1 2 3 4</b>	
1	102718101	Washer, Hard, M10, Zn-Ni/Blk .....	2
2	102732401	Bolt, M10 X 45, Zn-Ni (Black) .....	2
3	102759901	Bracket, Seat Belt, Bench .....	1
4	102879201	Asm, Seat Bottom, Bench, Gray (includes items 5 through 7) .....	1
5	1011652	Hinge Plate .....	2
6	102759601	Asm, Seat Bottom, Bench .....	1
7	103262201	Bolt Flg Blk, M8 X 25, Loctite .....	2
8	102879401	Bracket, Seat Back, AWD .....	2
9	102912301	Seat Back, Bench, Gray .....	1
10	103181001	Asm, Seat Bottom, Bench, Black (includes items 11 through 13) .....	1
11	1011652	Hinge Plate .....	2
12	N/A	Seat Bottom, Bench, Black .....	1
13	103262201	Bolt Flg Blk, M8 X 25, Loctite .....	2
14	103181101	Seat Back, Bench, Black .....	1
15	103216401	Nut, Flanged, M10 x 1.5, Black .....	2
16	103262601	Bolt Flg Blk, M8 X 55, Loctite .....	4
17	N/A	Tape, Double-Sided, VHB, 1"x 2" .....	1

**1**  
**G**  
**D**

1

G

D



000524-001

# BUCKET SEATS – GRAY

ITEM	PART NO.	DESCRIPTION	QTY
		<b>1 2 3 4</b>	
1	101887601	Locknut, M6-1.00 Nylon Insert .....	2
2	102059001	Seat Holder Base .....	2
3	102442001	Pan, Center, Closeout .....	1
4	102473701	Asm, Bucket Seat Adjustable (includes items 5 through 17) .....	1
5	1011652	Hinge Plate .....	2
6	102047001	Rivet, 1/4 X .438 Blind .....	4
7	102059401	Screw, 6m-1.00 X 10mm Hex Head .....	1
8	102061101	Seat Holder Cup .....	1
9	102298130	Bolt, Flange Head, M8 X 30.0 .....	4
10	102298401	Nut, m8, all Metal Lock .....	4
11	102456001	Pan, Seat, Driver Asm .....	1
12	102458901	Decal, Hot Surface Warning .....	1
13	102473501	Adjuster, Forward/Aft .....	1
14	102473601	Adjuster, Slider .....	1
15	102475901	Washer, Bell .....	4
16	103267001	Seat, Bucket, Gray .....	1
17	451	Lockwasher, 1/4 Split .....	1
18	N/A	Assembly, Bucket Seat w/Spacers (includes items 19 through 28) .....	1
19	1011652	Hinge Plate .....	2
20	1012830	Screw, M8-125 X 22 Hex-Head .....	4
21	1013734	Lockwasher, 8mm Split .....	4
22	102023703	Pan, Seat, Passenger .....	1
23	102047001	Rivet, 1/4 X .438 Blind .....	4
24	102059401	Screw, 6m-1.00 X 10mm Hex Head .....	1
25	102061101	Seat Holder Cup .....	1
26	102458901	Decal, Hot Surface Warning .....	1
27	103267001	Seat, Bucket, Gray .....	1
28	451	Lockwasher, 1/4 Split .....	1
29	102670601	Bracket, Seatbelt, Bolt-On .....	1
30	102718101	Washer, Hard, M10, Zn-Ni/Blk .....	2
31	102732401	Bolt, M10 X 45, Zn-Ni (Black) .....	2
32	102763701	Cover, Center Console .....	1
33	102967901	Rivet, Removable, Tuflok 1/4" .....	4
34	103216401	Nut, Flanged, M10 x 1.5, Black .....	2
35	332	Washer, 1/4 Type A Narrow Flat .....	2
36	96742515	Bolt, M6 X 1 X 45 .....	2

**1**

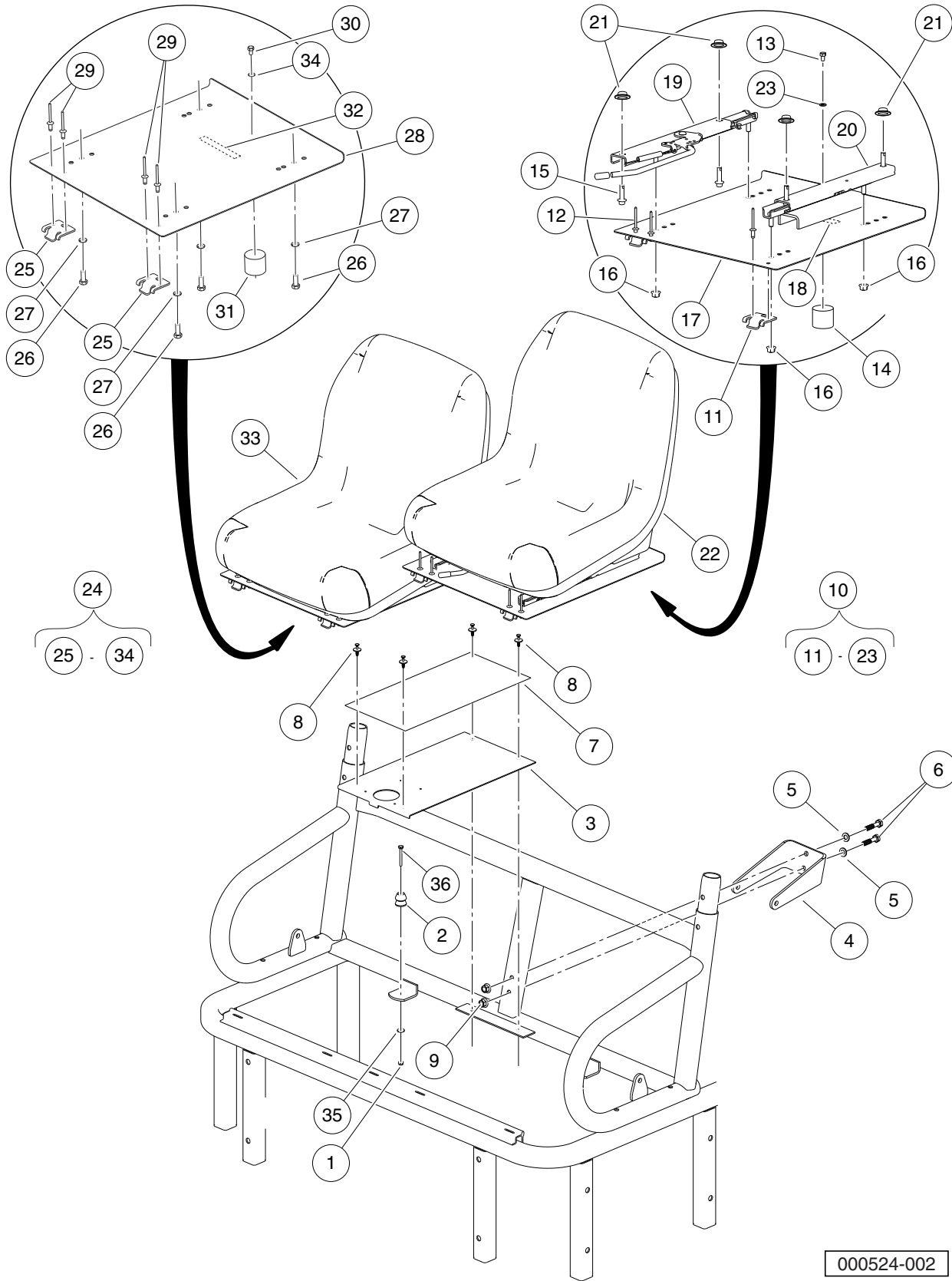
**G**

**D**

1

G

D



000524-002

# BUCKET SEATS – BLACK

ITEM	PART NO.	DESCRIPTION	QTY
		<b>1 2 3 4</b>	
1	101887601	Locknut, M6-1.00 Nylon Insert .....	2
2	102059001	Seat Holder Base .....	2
3	102442001	Pan, Center, Closeout .....	1
4	102670601	Bracket, Seatbelt, Bolt-On .....	1
5	102718101	Washer, Hard, M10, Zn-Ni/Blk .....	2
6	102732401	Bolt, M10 X 45, Zn-Ni (Black) .....	2
7	102763701	Cover, Center Console .....	1
8	102967901	Rivet, Removable, Tuflok 1/4" .....	4
9	103216401	Nut, Flanged, M10 x 1.5, Black .....	2
10	103218901	Asm, Bracket Seat, Adj, Blk (includes items 11 through 23) .....	1
11	1011652	Hinge Plate .....	2
12	102047001	Rivet, 1/4 X .438 Blind .....	4
13	102059401	Screw, 6m-1.00 X 10mm Hex Head .....	1
14	102061101	Seat Holder Cup .....	1
15	102298130	Bolt, Flange Head, M8 X 30.0 .....	4
16	102298401	Nut,m8,all Metal Lock .....	4
17	102456001	Pan, Seat, Driver Asm .....	1
18	102458901	Decal, Hot Surface Warning .....	1
19	102473501	Adjuster, Forward/Aft .....	1
20	102473601	Adjuster, Slider .....	1
21	102475901	Washer, Bell .....	4
22	103267002	Seat, Bucket, Black .....	1
23	451	Lockwasher, 1/4 Split .....	1
24	N/A	Asm, Bracket Seat, Passenger, Blk (includes items 25 through 34) .....	1
25	1011652	Hinge Plate .....	2
26	1012830	Screw, M8-125 X 22 Hex-Head .....	4
27	1013734	Lockwasher, 8mm Split .....	4
28	102023703	Pan, Seat, Passenger .....	1
29	102047001	Rivet, 1/4 X .438 Blind .....	4
30	102059401	Screw, 6m-1.00 X 10mm Hex Head .....	1
31	102061101	Seat Holder Cup .....	1
32	102458901	Decal, Hot Surface Warning .....	1
33	103267002	Seat, Bucket, Black .....	1
34	451	Lockwasher, 1/4 Split .....	1
35	332	Washer, 1/4 Type A Narrow Flat .....	2
36	96742515	Bolt, M6 X 1 X 45 .....	2

1

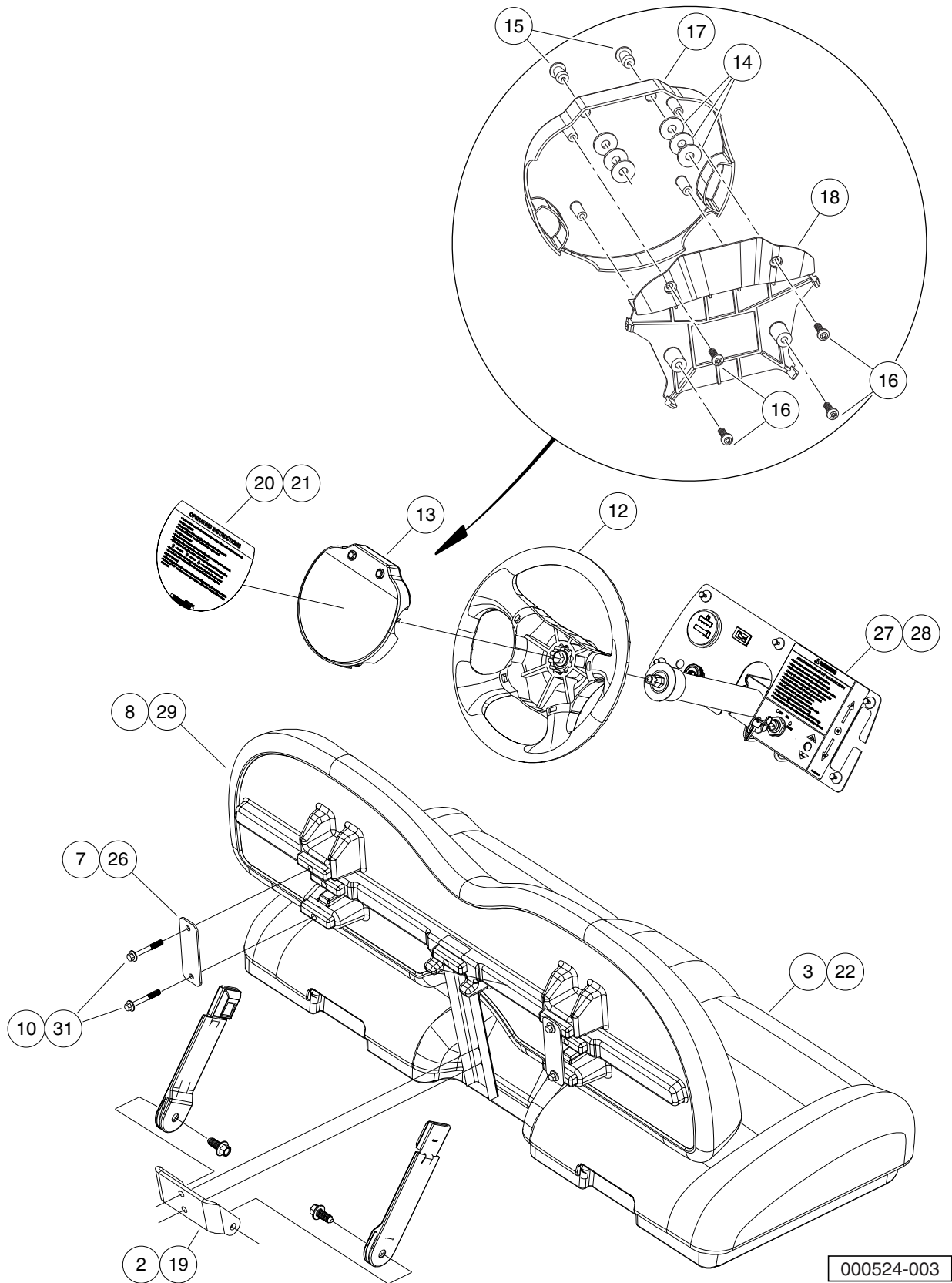
G

D

1

G

D



# BENCH SEAT CONVERSION KIT

ITEM	PART NO.	DESCRIPTION	QTY
		<b>1 2 3 4</b>	
1	103183101	Kit, Bench Seat, Seat Only (includes items 2 through 10) .....	1
2	102759901	Bracket, Seat Belt, Bench .....	1
3	102879201	Asm, Seat Bottom, Bench, Gray (includes items 4 through 6) .....	1
4	1011652	Hinge Plate .....	2
5	102759601	Asm, Seat Bottom, Bench .....	1
6	103262201	Bolt Flg Blk, M8 X 25, Loctite .....	2
7	102879401	Bracket, Seat Back, AWD .....	2
8	102912301	Seat Back, Bench, Gray .....	1
9	N/A	Instructions, Bench Seat .....	1
10	103262601	Bolt Flg Blk, M8 X 55, Loctite .....	4
11	103183201	Kit, Bench Seat, Complete (includes items 12 through 31) .....	1
12	102537801	Steering Wheel, Comfort Grip, Hex .....	1
13	102540802	Center, Plate, Steering Wheel (includes items 14 through 18) .....	1
14	1011697	Washer, 5/16 Flat .....	6
15	1016967	Blind Rivet, Push Type .....	2
16	102296020	Screw, Torx Pan Hd Pt, M6 X 20 .....	4
17	N/A	Scorecard Plate, Comfort Grip .....	1
18	N/A	Scorecard Back Plate .....	1
19	102759901	Bracket, Seat Belt, Bench .....	1
20	102873901	Decal, Oper Instr, Awd Se Dsl .....	1
21	102878301	Decal, Oper Instr, Awd Se Gas .....	1
22	102879201	Asm, Seat Bottom, Bench, Gray (includes items 23 through 25) .....	1
23	1011652	Hinge Plate .....	2
24	102759601	Asm, Seat Bottom, Bench .....	1
25	103262201	Bolt Flg Blk, M8 X 25, Loctite .....	2
26	102879401	Bracket, Seat Back, AWD .....	2
27	102889001	Decal, Warning, Instrument Panel, AWD Gas .....	1
28	102889101	Decal, Warning, Instrument Panel, AWD Diesel .....	1
29	102912301	Seat Back, Bench, Gray .....	1
30	N/A	Instructions, Bench Seat .....	1
31	103262601	Bolt Flg Blk, M8 X 55, Loctite .....	4

**1**

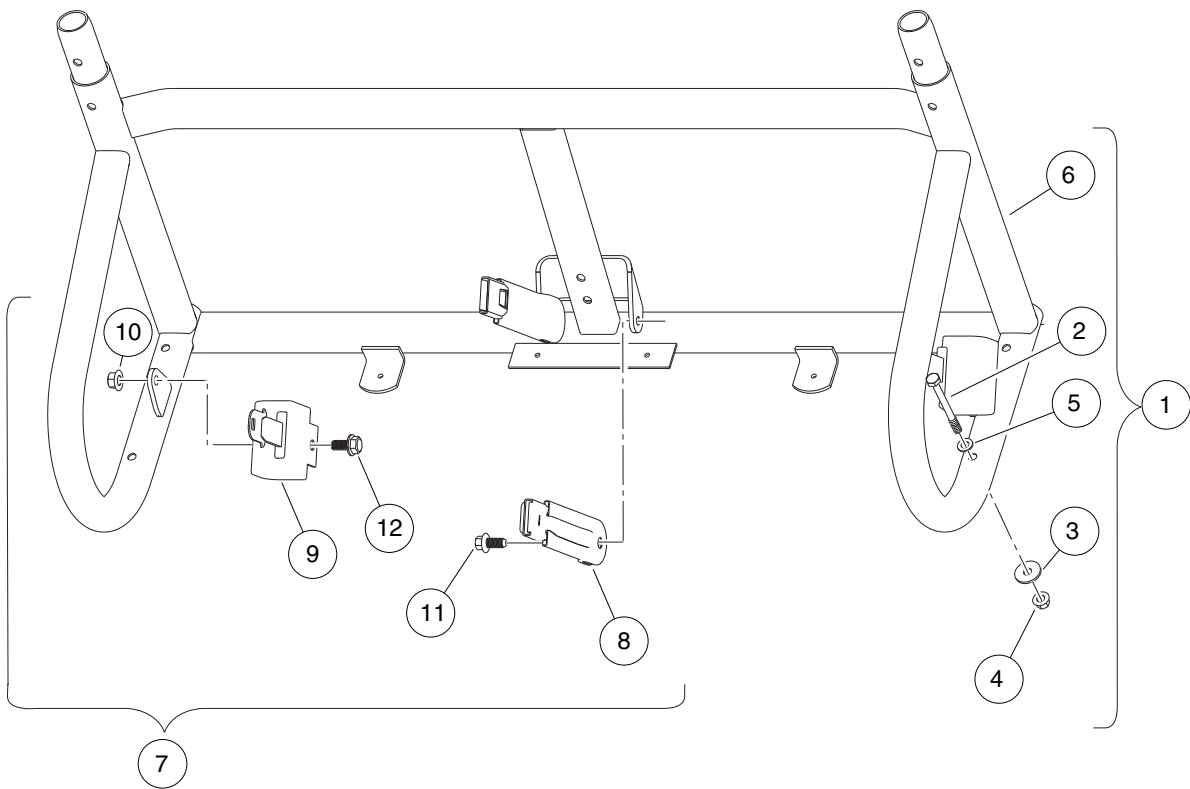
**G**

**D**

1

G

D



000029-002



# SEAT BELTS AND LOWER ROPS

ITEM	PART NO.	DESCRIPTION	QTY
		<b>1 2 3 4</b>	
1	N/A	Instl, Rops, Lower (includes items 2 through 6) .....	1
2	102491301	Bolt, M10x1.50x100 (Black) .....	4
3	102491501	Washer Hard,m10 .....	4
4	102617201	Nut Flg M10 X 1.5 Mech Def .....	4
5	102718101	Washer, Hard, M10, Zn-Ni/Blk .....	4
6	103361701	Weldment,seat Support,hs,rops .....	1
7	N/A	Instl, Seat Belt, Restyle (includes items 8 through 12) .....	1
8	102447601	Buckle, Seat Belt with Sleeve .....	2
9	102447602	Retractor, Seat Belt .....	2
10	102620301	Ln Flg, M12 X 1.75, Md, Black .....	2
11	102671201	Screw,m12x1.75x30 Thd Form Blk .....	2
12	103245101	Bolt Flg, M12x1.75 X 25 Black .....	2

**1**

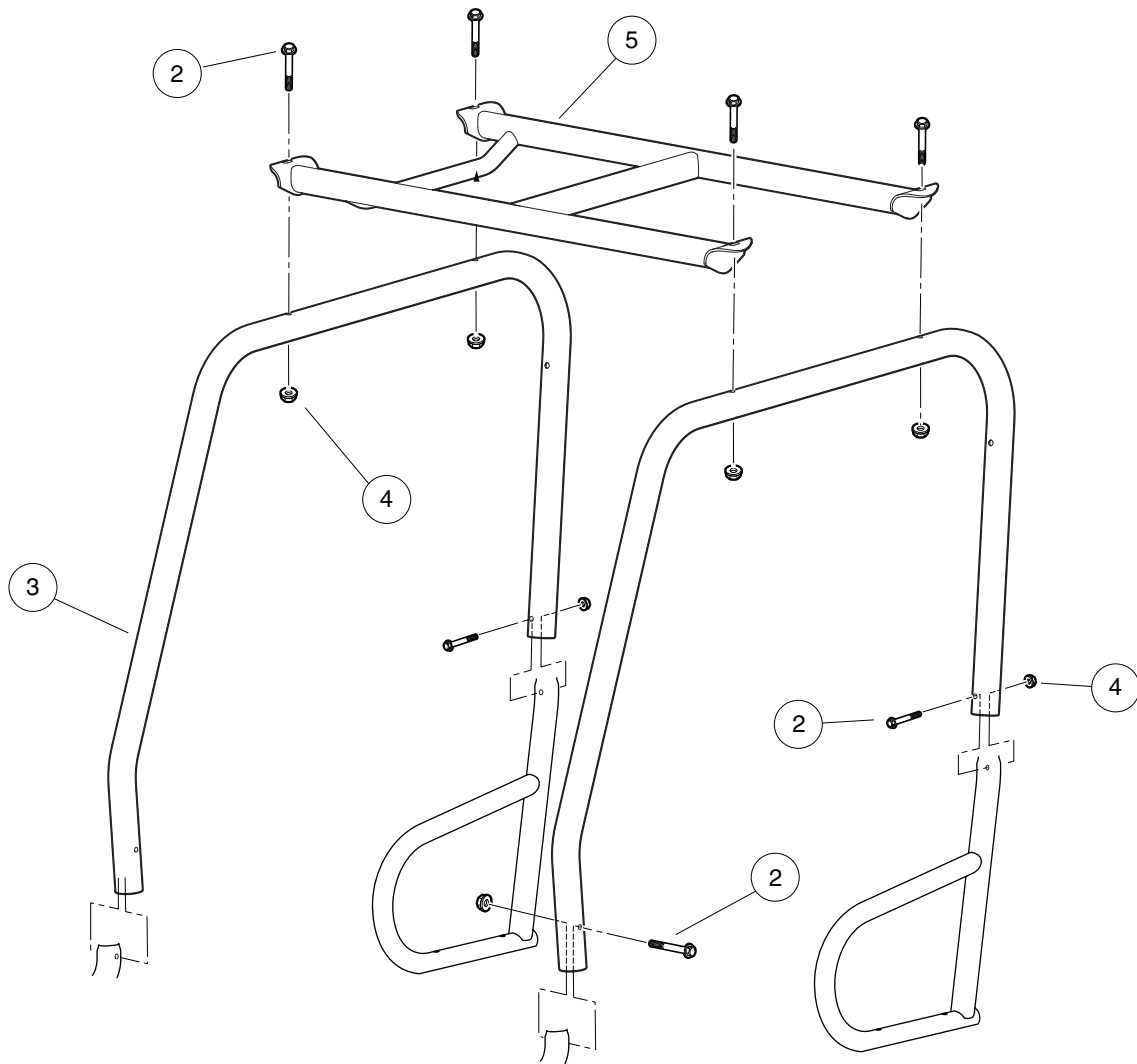
**G**

**D**

1

G

D



000029-003

# ROPS

ITEM	PART NO.	DESCRIPTION	QTY
		<b>1 2 3 4</b>	
1	103215901	Kit, ROPS, Domestic (includes items 2 through 4) .....	1
2	102988701	Bolt, Flanged, M10 X 1.5 X 65 .....	8
3	103192101	Tube, Side Support Short, ROPS .....	2
4	103216401	Nut, Flanged, M10 x 1.5, Black .....	8
5	103225801	Asm, Top, ROPS .....	1

**1**

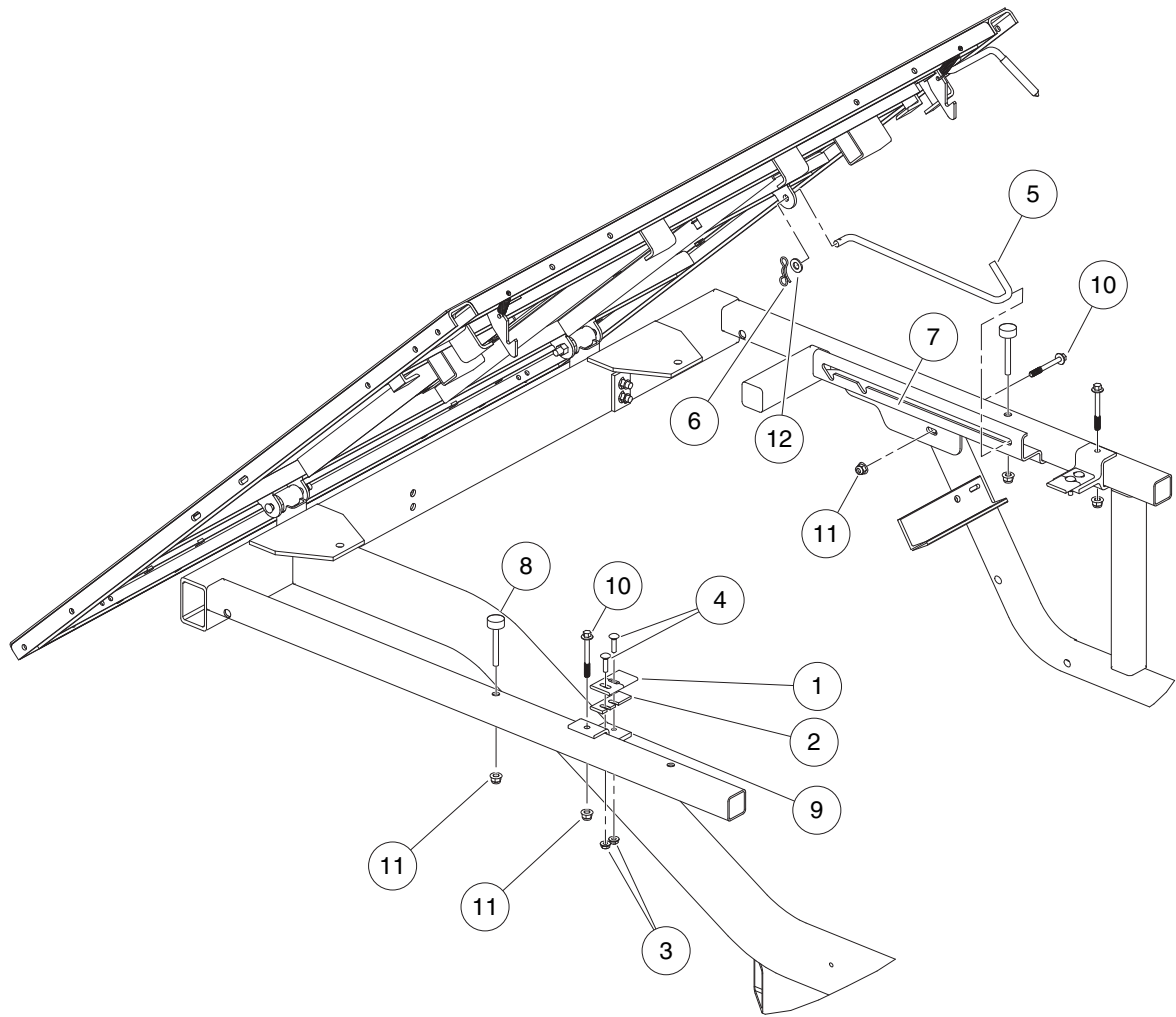
**G**

**D**

1

G

D



000036-001

# LATCH PLATE AND PROP ROD

ITEM	PART NO.	DESCRIPTION	QTY
		<b>1 2 3 4</b>	
1	1015277	Latch Plate, Tilt Bed .....	2
2	1016078	Latch Plate Shim .....	1
3	101835601	Locknut, 1/4-20 Hex Whiz .....	4
4	101958602	Bolt, Carriage, 1/4-20 X 1.0 .....	4
5	102301401	Rod, Prop .....	1
6	102323101	Pin, Bow Tie Locking .....	1
7	102418101	Track, Prop Rod .....	1
8	102426601	Bumper, Bed, Mtg, Front .....	2
9	102493801	Bracket, Latch, Bed .....	2
10	102618301	Bolt Flanged Head, M8 X 1.25 X 65 .....	3
11	102618601	Lock Nut, Flg M8 X 1.25 Nylon .....	5
12	334	Washer, 3/8 Type A Flat .....	1

**1**

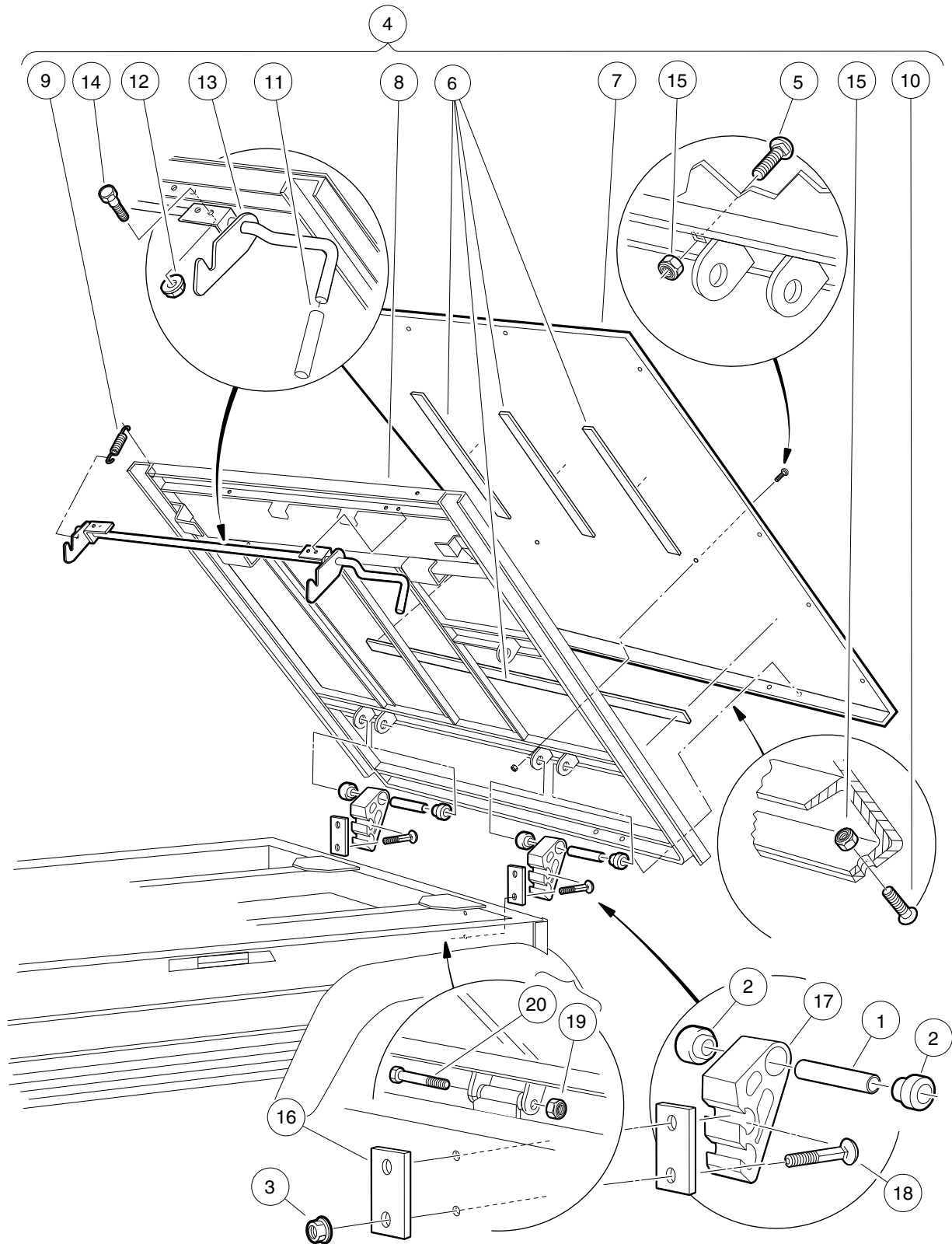
**G**

**D**

1

G

D



000037-001

# TILT BED, HINGE, AND LATCH

ITEM	PART NO.	DESCRIPTION	QTY
		<b>1 2 3 4</b>	
1	1012303	Bushing, Steel .....	2
2	1015583	Bushing, Urethane .....	2
3	102065901	Locknut, 3/8-16 Flanged Dimple .....	4
4	102171503	Tilt Bed Assembly (includes items 5 through 15) .....	1
5	1010435	Bolt, Carriage, 5/16-18 X 1.00 .....	4
6	1014471	Tape, Vinyl Foam 1/8" x 3/4" * .....	1
7	1015258	Plate, Floor Bed .....	1
8	N/A	Frame Assembly .....	1
9	N/A	Extension, Spring Latch .....	2
10	1015399	Screw, 5/16-18 X 0.88 Torx Truss-Head .....	4
11	1015400	Grip, Tilt Latch Hand .....	1
12	101835601	Locknut, 1/4-20 Hex Whiz .....	4
13	102426901	Ltch Weld Asm Tlt Bd .....	1
14	403	Screw, 1/4-20 X 0.625 Hex-Head Cap .....	4
15	7473	Locknut, 5/16-18 Nylon Insert .....	8
16	102614101	Plate, Back .....	2
17	103538701	Extra, Bracket, Hinge, Bed .....	2
18	103538901	3/8-16 X 3.5 Carr Blt Gr5 Zn .....	4
19	8754	Locknut, 3/8-16 Hex .....	2
20	8755	Screw, 3/8-16 X 3.375 Hex Cap .....	2
		 * Note: Item not shown.	

1

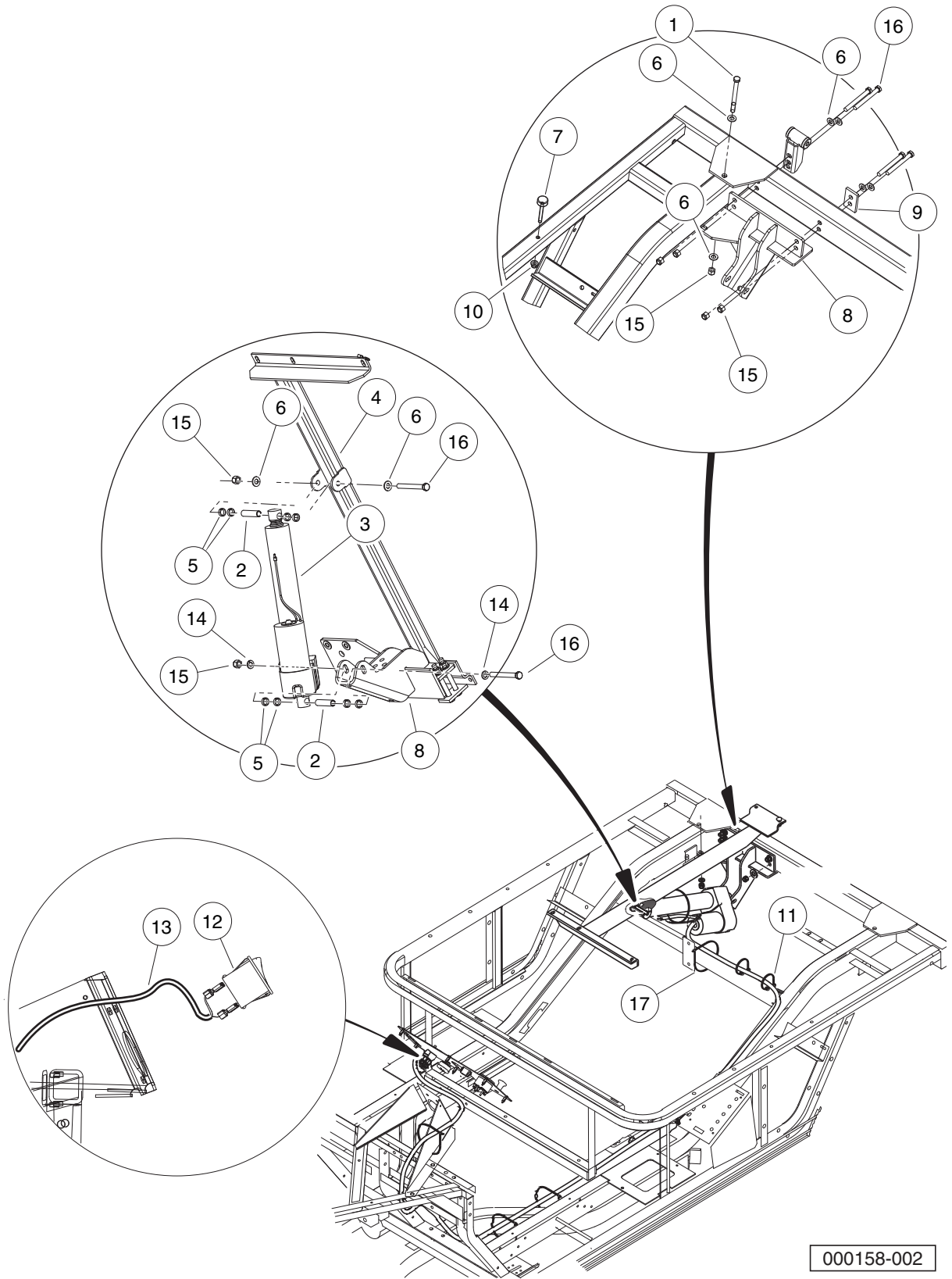
G

D

1

G

D



000158-002



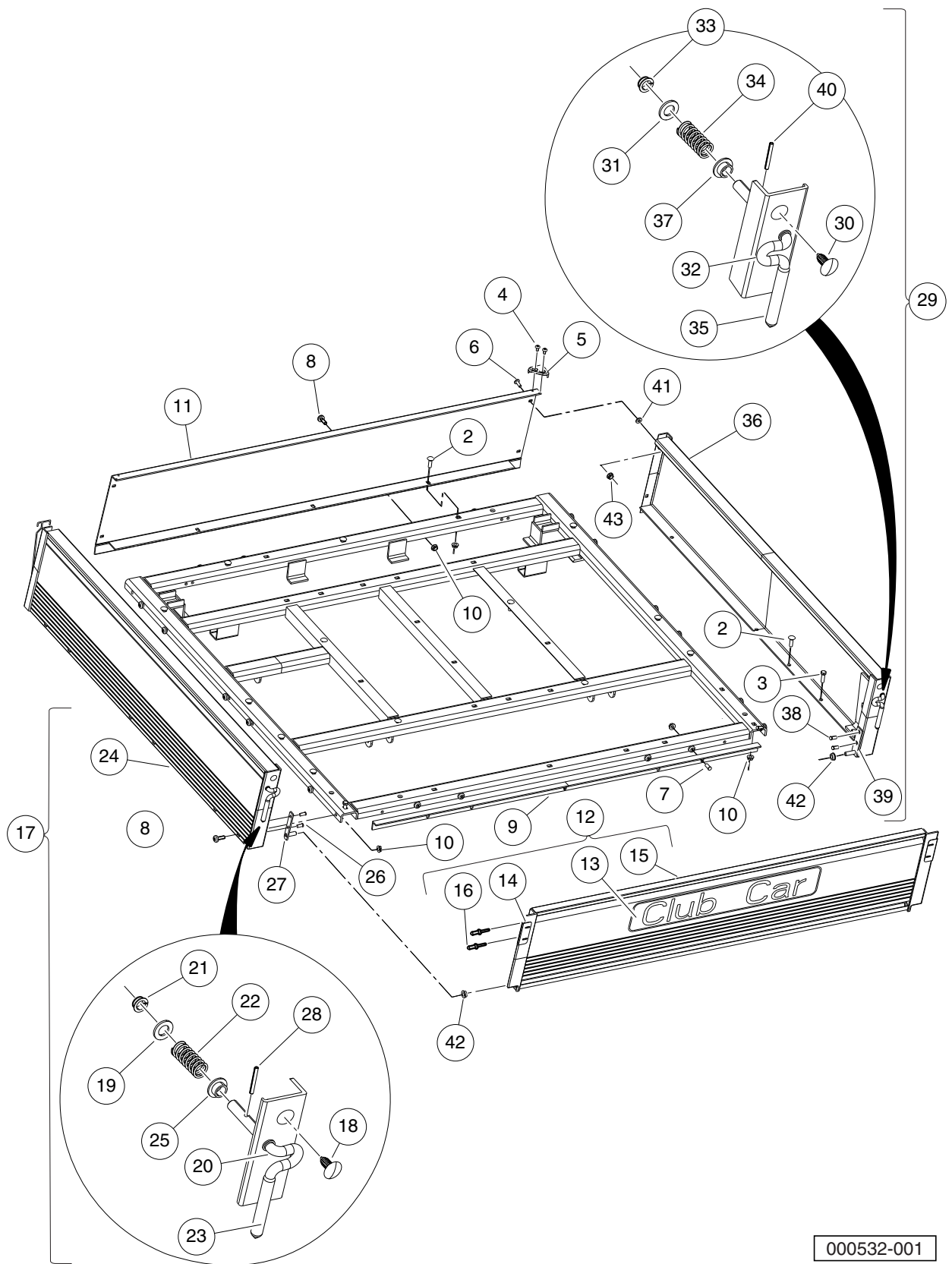
# ELECTRIC BED LIFT

ITEM	PART NO.	DESCRIPTION	QTY	
		<b>1 2 3 4</b>		<b>1</b>
1	1010200	Bolt, 3/8-16 X 4.25 Hex Head .....	1	<b>G</b>
2	1016603	Bushing Long .....	2	
3	1017162	Actuator Assembly, Electric .....	1	
4	1017167	Actuator Adapter .....	1	<b>D</b>
5	1017774	Body Spacer .....	8	
6	102066001	Washer, 3/8 Type B Hard Flat .....	8	
7	102426601	Bumper, Bed, Mtg, Front .....	2	
8	102465701	Weldment, Bracket, Actuator .....	1	
9	102614101	Plate, Back .....	1	
10	102618601	Lock Nut, Flg M8 X 1.25 Nylon .....	2	
11	102629001	Tie Wrap, 8.00" With Mount .....	2	
12	102882501	Switch, Rocker, Spring Return, Bed Lift .....	1	
13	103227001	Harness, AWD Bedlift .....	1	
14	357	Lockwasher, 3/8 Split .....	2	
15	8754	Locknut, 3/8-16 Hex .....	9	
16	8755	Screw, 3/8-16 X 3.375 Hex Cap .....	6	
17	8990	Tie Wrap, 8" Nylon .....	5	

1

G

D



000532-001

# BOX BED

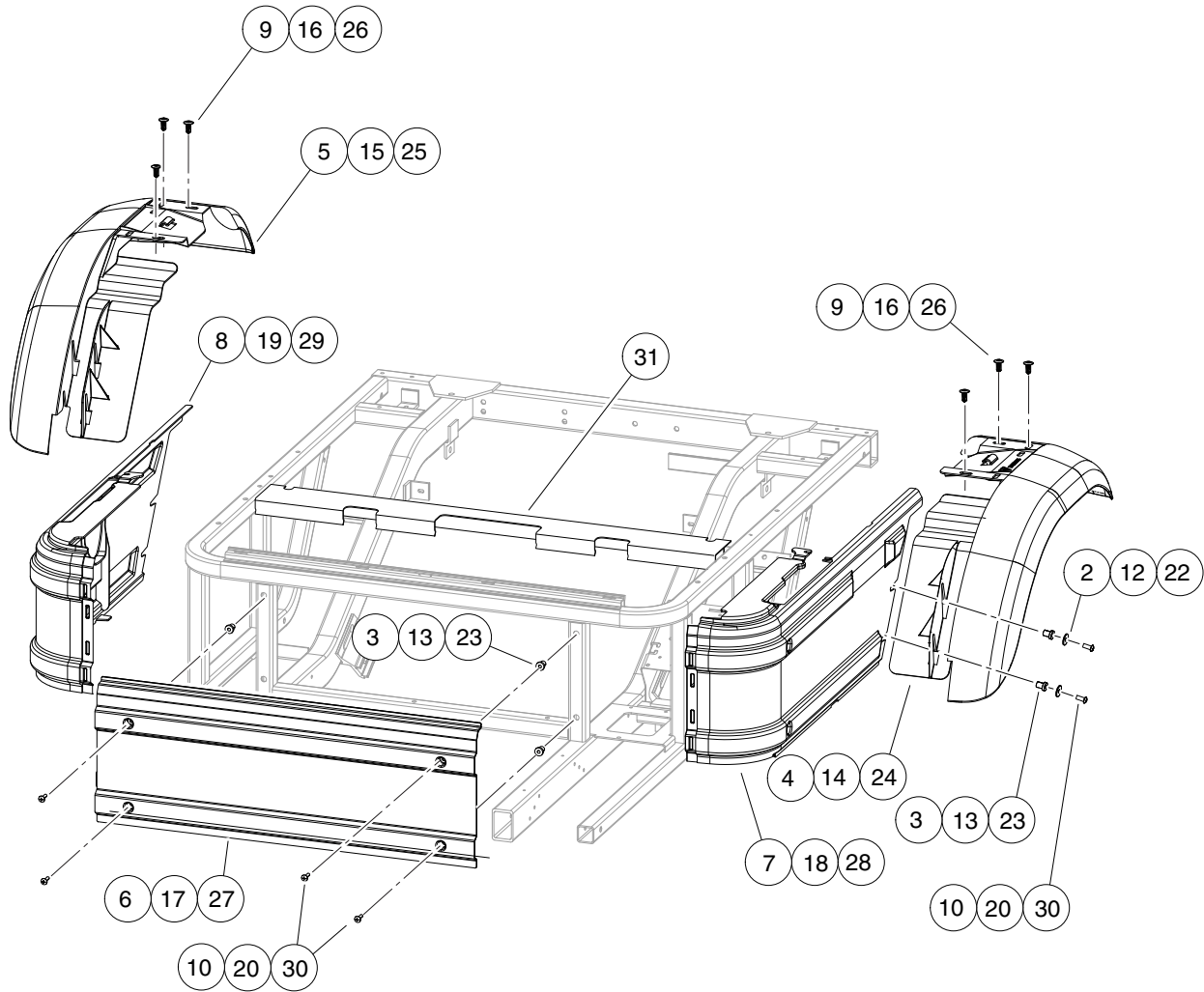
ITEM	PART NO.	DESCRIPTION	QTY
		<b>1 2 3 4</b>	
1	N/A	Install, Box Bed (includes items 2 through 43) .....	1
2	1010435	Bolt, Carriage, 5/16-18 X 1.00 .....	11
3	1010934	Screw, 5/16-18 X 1.00 Hex Cap .....	2
4	1014321	Screw, #10 Truss-Head Torx .....	4
5	1014387	Cap, Corner .....	2
6	1014415	Screw, 1/4-20 X 0.75 Torx Truss-Head .....	4
7	1014537	Stud, Self-Clinching Flush Head .....	2
8	1015399	Screw, 5/16-18 X 0.88 Torx Truss-Head .....	16
9	101894302	Box Bed Tailgate Angle .....	1
10	101963401	Locknut, 5/16-18 Hex Flange .....	33
11	102030101	Panel, Front .....	1
12	102030201	Tailgate Asm (includes items 13 through 16) .....	1
13	1013317	Decal, Logo, Tailgate .....	1
14	1015246	Plate, Tailgate Latch Wear .....	2
15	N/A	Tailgate Weldment .....	1
16	7973	Rivet, 3/16 X .400 Blind .....	4
17	103191401	Asm, Panel, Side, Left (includes items 18 through 28) .....	1
18	1010434	Barrel - Plastic .....	1
19	1011990	Washer, 3/8 Flat .....	1
20	1015313	Latch, Tailgate, Left-Hand .....	1
21	1015363	Bushing, Snap-In .....	1
22	1015390	Compression Spring Latch Tilt .....	1
23	1015400	Grip, Tilt Latch Hand .....	1
24	103191201	Weldment, Panel, Side, Left .....	1
25	1032	Bushing, Nylon .....	1
26	103379401	Rivet, 1/4 X 0.30, Blind .....	2
27	N/A	Asm, Tlgt, Mtg Brkt, Ca Lh .....	1
28	1231	Pin, 1/8 X 1.00 Split Roll .....	1
29	103191501	Asm, Panel, Side, Right (includes items 30 through 40) .....	1
30	1010434	Barrel - Plastic .....	1
31	1011990	Washer, 3/8 Flat .....	1
32	1015245	Latch, Tailgate, Right-Hand .....	1
33	1015363	Bushing, Snap-In .....	1
34	1015390	Compression Spring Latch Tilt .....	1
35	1015400	Grip, Tilt Latch Hand .....	1
36	103191301	Weldment, Panel, Side, Right .....	1
37	1032	Bushing, Nylon .....	1
38	103379401	Rivet, 1/4 X 0.30, Blind .....	2
39	N/A	Asm, Tlgt, Mtg Brkt, Ca Rh .....	1
40	1231	Pin, 1/8 X 1.00 Split Roll .....	1
41	332	Washer, 1/4 Type A Narrow Flat .....	4
42	7049	Bushing, Nylon .....	2
43	8233	Locknut, 1/4-20 Nylon Insert .....	4

**1**  
**G**  
**D**

1

G

D



000518-001

# SIDE PANELS AND REAR FENDERS

ITEM	PART NO.	DESCRIPTION	QTY
		<b>1 2 3 4</b>	
1	N/A	Instl, Panels, Fenders, Blk (includes items 2 through 10) .....	1
2	1014306	Washer, 1/4" Type B Flat .....	4
3	102491701	Well Nut 1/4-20 .....	8
4	102913801	Left Rear Fender (Black) .....	1
5	102913901	Right Rear Fender (Black) .....	1
6	102914001	Panel, Front, Kick (Black) .....	1
7	102914101	Panel, Side, Molded, Driver (Black) .....	1
8	102914102	Panel, Side, Molded, Passenger (Black) .....	1
9	103200501	Screw, Tuflok, 10mm .....	6
10	8251	Screw, 1/4-20 X 1.0 Truss-Head Machine .....	8
11	N/A	Instl, Panels, Fenders, Rthwd (includes items 12 through 20) .....	1
12	1014306	Washer, 1/4" Type B Flat .....	4
13	102491701	Well Nut 1/4-20 .....	8
14	102913801	Left Rear Fender (Black) .....	1
15	102913901	Right Rear Fender (Black) .....	1
16	103200501	Screw, Tuflok, 10mm .....	6
17	103289001	Panel, Front, Kick (Realtree Camo) .....	1
18	103289101	Panel, Side, Molded, Driver (Realtree Camo) .....	1
19	103289103	Panel, Side, Molded, Passenger (Realtree Camo) .....	1
20	8251	Screw, 1/4-20 X 1.0 Truss-Head Machine .....	8
21	N/A	Instl, Panels, Fenders, Moff (includes items 22 through 30) .....	1
22	1014306	Washer, 1/4" Type B Flat .....	4
23	102491701	Well Nut 1/4-20 .....	8
24	102913801	Left Rear Fender (Black) .....	1
25	102913901	Right Rear Fender (Black) .....	1
26	103200501	Screw, Tuflok, 10mm .....	6
27	103289002	Panel, Front, Kick, Moff .....	1
28	103289102	Pnl, Side, Mld, Drv, Moff .....	1
29	103289104	Pnl, Side, Mld, Pass, Moff .....	1
30	8251	Screw, 1/4-20 X 1.0 Truss-Head Machine .....	8
31	103331201	Closeout, Extrusion .....	1

**1**

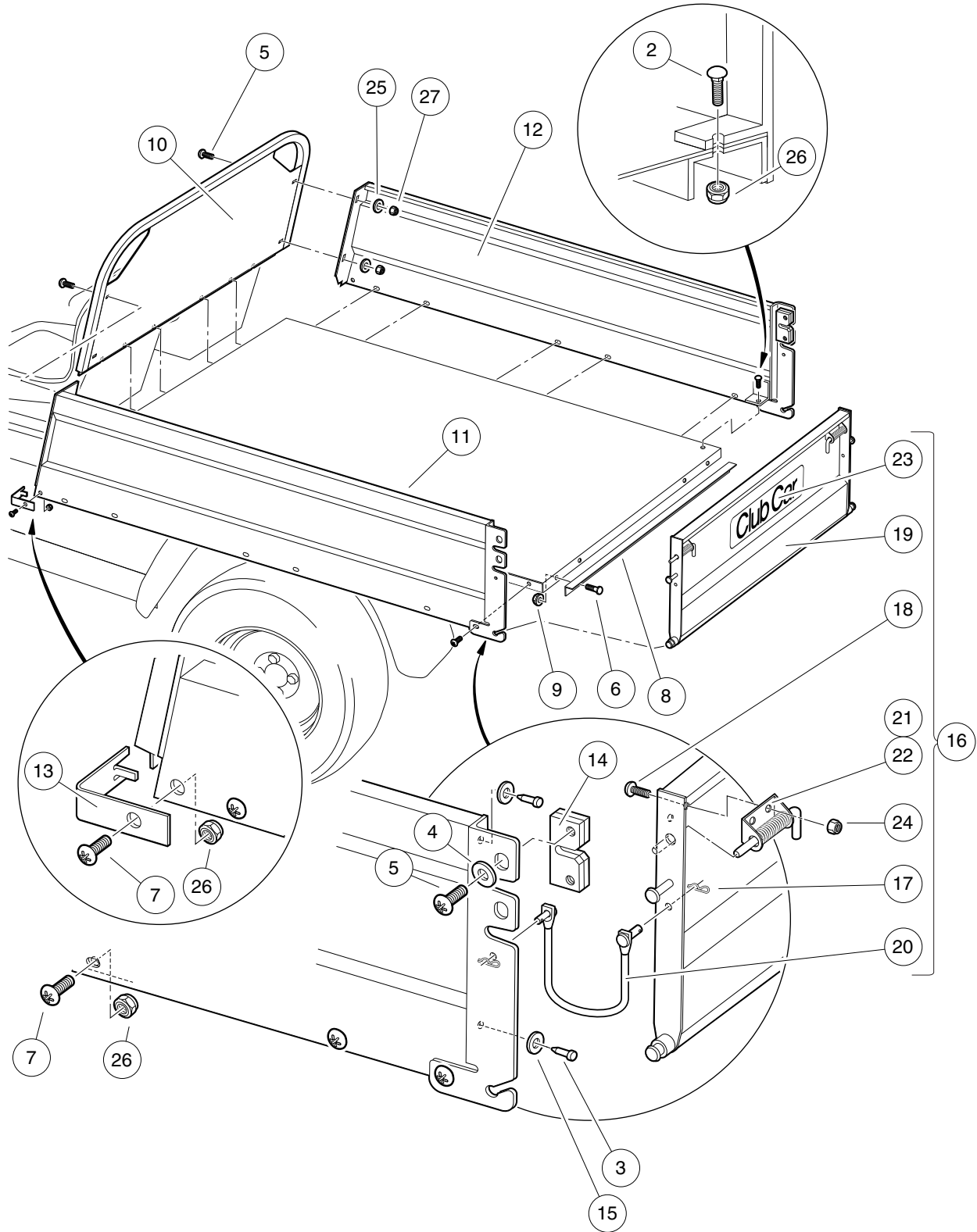
**G**

**D**

1

G

D



000038-001

# CARGO BOX (STEEL)

ITEM	PART NO.	DESCRIPTION	QTY
		<b>1 2 3 4</b>	
1	N/A	Instl, Steel Box, XRT (includes items 2 through 27) .....	1
2	1010435	Bolt, Carriage, 5/16-18 X 1.00 .....	13
3	1010436	Bumper, Rubber .....	4
4	1014306	Washer, 1/4" Type B Flat .....	4
5	1014415	Screw, 1/4-20 X 0.75 Torx Truss-Head .....	8
6	1014537	Stud, Self-Clinching Flush Head .....	4
7	1015399	Screw, 5/16-18 X 0.88 Torx Truss-Head .....	18
8	101894304	Box Bed Tailgate Angle .....	1
9	101963401	Locknut, 5/16-18 Hex Flange .....	4
10	102221301	Front Panel Weldment .....	1
11	102221401	Left Panel Weldment .....	1
12	102221501	Right Panel Weldment .....	1
13	102221701	Front Corner Cap .....	2
14	102222001	Slam Latch .....	2
15	102239901	Washer, Rubber, 3/8 .....	4
16	102614401	Assembly, Tailgate (includes items 17 through 24) .....	1
17	1013366	Hair Pin Clip .....	4
18	1014415	Screw, 1/4-20 X 0.75 Torx Truss-Head .....	4
19	N/A	Tailgate, Weldment .....	1
20	102221801	Tether Assembly .....	2
21	102222101	Spring Latch Left .....	1
22	102222201	Spring Latch Right .....	1
23	102673201	Decal, Club Car Tailgate .....	1
24	8233	Locknut, 1/4-20 Nylon Insert .....	4
25	332	Washer, 1/4 Type A Narrow Flat .....	4
26	7473	Locknut, 5/16-18 Nylon Insert .....	31
27	8233	Locknut, 1/4-20 Nylon Insert .....	4

**1**

**G**

**D**

**1**

**G**

**D**



# WHEELS AND TIRES

---

2

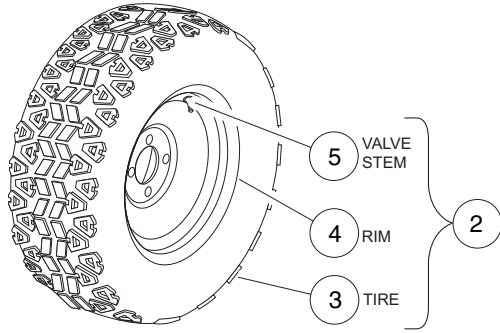
G

D

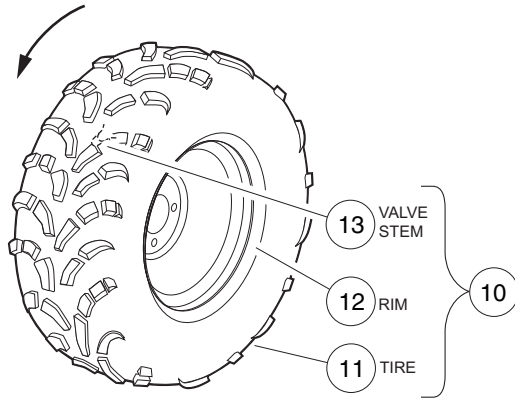
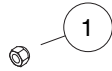
2

G

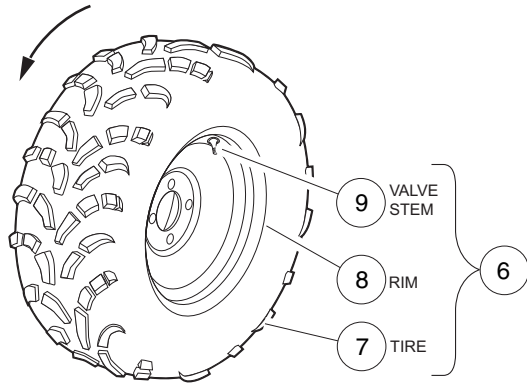
D



FOR DRIVERS OR PASSENGERS SIDE



FOR PASSENGERS SIDE ONLY



FOR DRIVERS SIDE ONLY

000506-001

# WHEELS AND TIRES

ITEM	PART NO.	DESCRIPTION	QTY
		<b>1 2 3 4</b>	
1	102736901	Nut, Lug, 1/2-20 SAE J2283 .....	16
2	102943807	Black Tire Asm HDAT 10.5 In (includes items 3 through 5) .....	4
3	102943101	Heavy Duty All Terrain Tire, 25" .....	1
4	103234503	Wheel, All trail, 10 Window, Black .....	1
5	7310	Valve Stem .....	1
6	N/A	Black Tire Asm Mud 11.0 In Left-Hand (includes items 7 through 9) .....	2
7	102945701	Mud Tire, 25" .....	1
8	103234503	Wheel, All trail, 10 Window, Black .....	1
9	7310	Valve Stem .....	1
10	N/A	Black Tire Asm Mud 11.0 In Right-Hand (includes items 11 through 13) .....	2
11	102945701	Mud Tire, 25" .....	1
12	103234503	Wheel, All trail, 10 Window, Black .....	1
13	7310	Valve Stem .....	1

**2**

**G**

**D**

2

G

D

# DECALS

---

3

G

D

**3**  
**G**

**D**

**⚠ WARNING**  
**ROLLOVER OR FALLING OFF MAY CAUSE DEATH**

- Read owner's manual and operating instructions.
- Fasten seat belts and remain seated while moving.
- Children requiring a child safety seat must not ride on vehicle. Comply with state and local laws pertaining to child safety.
- Drive slowly in turns and straight up and down slopes.
- Do not start vehicle until all occupants are seated.
- Two (2) persons per bench seat maximum.
- One (1) person per bucket seat maximum.
- Operate from driver side only and not on public roads.
- Keep entire body inside vehicle while moving.
- Do not operate while under the influence of alcohol or drugs.
- Never attempt jumps and avoid extreme braking in reverse.

CCI 102894401

**⚠ WARNING**  
**UNDER 16**  
**YOUNG DRIVERS INCREASE CHANCE OF DEATH**

- Young drivers may not be able to control vehicle.
- No drivers younger than 16 years old.
- Do not leave children unattended on vehicle.

CCI 10245901

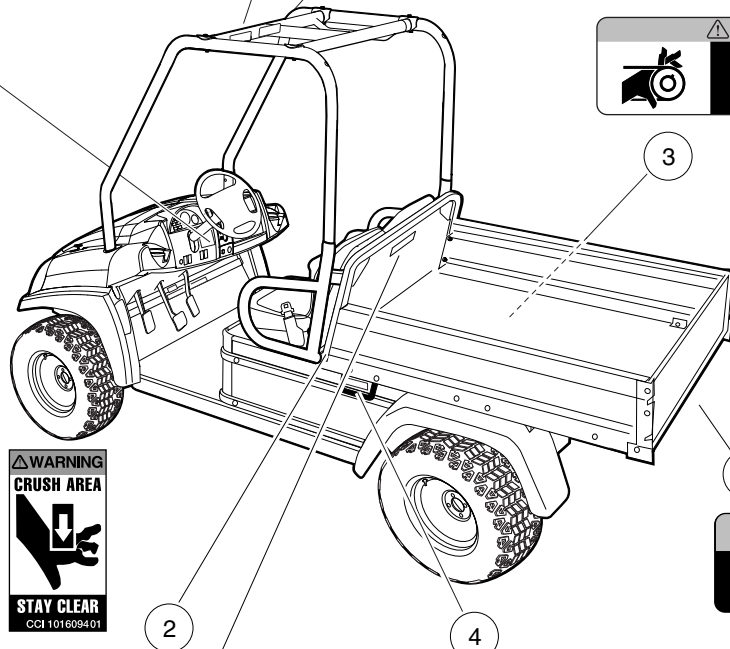
**⚠ WARNING**

- Do not modify or remove Roll-over Protective Structure (ROPS).
- Replace ROPS if damaged. Do not attempt repair.
- Use seat belts during operation. Do not jump from vehicle.
- Keep away from drop-offs, steep slopes, and unstable surfaces.

CCI 102961201

**⚠ WARNING**  
**Rotating Parts**

CCI 102224001



**⚠ WARNING**  
**CRUSH AREA**  
**STAY CLEAR**

CCI 101609401

**NOTICE**  
**MAXIMUM TONGUE WEIGHT - 150 lbs.**

CCI 1011553

**⚠ WARNING**  
**LATCH OPEN**  
**Crush area. Can cause severe injury. Stay clear when closing bed.**

CCI 102163001

**⚠ WARNING**  
**RIDING IN CARGO BED CAN CAUSE SEVERE INJURY OR DEATH.**

**VEHICLE LOADING**

- Read owner's manual and warnings on dash.
- Maximum gross vehicle weight: 2750 lb. (1247 kg)
- Maximum cargo load: 800 lb. (363 kg)
- Includes cargo bed load and gross trailer weight.
- Maximum cargo load is reduced by the weight of optional equipment.
- Maximum trailer hitch tongue weight: 150 lb. force (667 N).

**PREVENT VEHICLE ROLL-OVER.**

- Place cargo forward in the cargo bed and distribute evenly side to side. Secure load.
- On uneven or steep terrain reduce speed and load. Avoid stopping on or backing down steep hills.
- Avoid top-heavy loads. See owner's manual.

CCI 103202601

**⚠ WARNING**  
**RIDING IN CARGO BED CAN CAUSE SEVERE INJURY OR DEATH.**

**HIGH CAPACITY VEHICLE LOADING**

- Read owner's manual and warnings on dash.
- Maximum gross vehicle weight: 3012 lb. (1366 kg)
- Maximum cargo load: 1050 lb. (476 kg)
- Includes cargo bed load and gross trailer weight.
- Maximum cargo load is reduced by the weight of optional equipment.
- Maximum trailer hitch tongue weight: 150 lb. force (667 N).

**PREVENT VEHICLE ROLL-OVER.**

- Place cargo forward in the cargo bed and distribute evenly side to side. Secure load.
- On uneven or steep terrain reduce speed and load. Avoid stopping on or backing down steep hills.
- Avoid top heavy loads. See owner's manual.

CCI 103210401

8

9

000509-001

# SAFETY DECALS – CA 295 AND XRT 1550, GASOLINE VEHICLES

ITEM	PART NO.	DESCRIPTION	QTY
		1 2 3 4	
1	1011553	Decal, Trailer Hitch .....	1
2	101609401	Decal, Crush Area Warning .....	1
3	102224001	Decal, Rotating Parts Warning .....	1
4	102459301	Decal, Bed Crush Area Warning .....	1
5	102459401	Decal, Young Driver Warning .....	1
6	102884401	Decal, Warning, Rollover .....	1
7	102961201	Decal, Warning, AWD ROPS .....	1
8	103202601	Decal, Vehicles Loading, Standard Vehicle .....	1
9	103210401	Decal, Loading Capacity, High Capacity Option .....	1

3

G

D

**3**  
**G**

**D**

**WARNING**  
**GASOLINE EXPLOSION / FIRE.**

- Can cause severe injury or death.
- No smoking, sparks, or open flame.
- Stop engine, allow to cool before refueling.
- Turn fuel valve (←) on during operation, (→) off during storage or transport.

CCI 101547601

**OPERATING INSTRUCTIONS**

- Read owner's manual and vehicle safety warnings. Study and understand controls.

**TO START ENGINE**

- Place shift lever in NEUTRAL (N) and press brake pedal.
- Turn key to START and hold until engine starts.

**Diesel Vehicles Only:**

- If required, turn key to PREHEAT and hold for 10-15 seconds.

**TO OPERATE VEHICLE**

- Ensure wheels are turned in desired direction and path is clear.
- With vehicle stopped and engine at idle, select vehicle direction.

↑ - Forward    N - Neutral    ↓ - Reverse (Buzzer will sound)

- Release park brake and slowly press accelerator pedal to increase speed.
- All-wheel drive will automatically drive appropriate wheel(s).

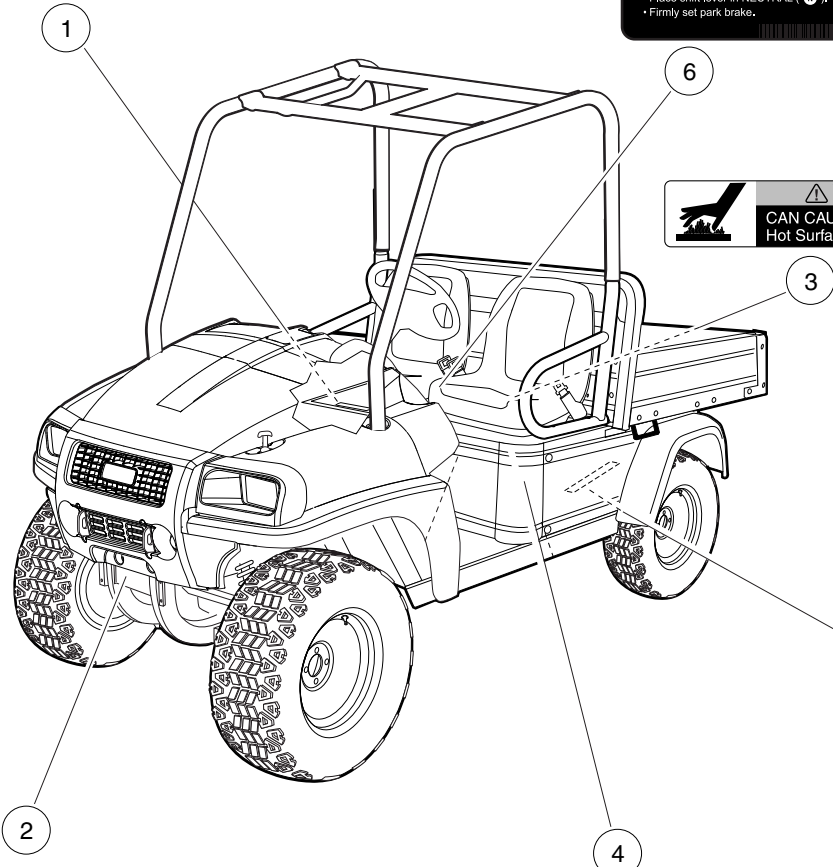
**TO STOP VEHICLE**

- Release accelerator pedal and push brake pedal.

**BEFORE LEAVING VEHICLE**

- Turn key to OFF and remove key.
- Place shift lever in NEUTRAL (N).
- Firmly set park brake.

CCI 102884301



**WARNING**  
**CAN CAUSE SEVERE BURNS**  
Hot Surface  
CCI 102458901

**WARNING**  
**WINCH CABLE FRACTURE COULD RESULT IN SERIOUS INJURY OR DEATH.**

- Do not use winch while persons are seated on the vehicle.
- Use remote operation switch for winch control.
- Stand to the side and away from the vehicle to operate winch.
- Read winch operator manual before operating winch.

102231601

**WARNING**  
**Negative frame ground. Can cause severe injury. Do not contact positive (+) battery post or cable to frame. Disconnect negative (-) battery cable first.**

CCI 102459101

**WARNING**  
**CAN CAUSE SEVERE INJURY**  
Rotating parts. KEEP CLEAR.

**WARNING**  
**CAN CAUSE SEVERE INJURY**  
Hot manifold and muffler. KEEP CLEAR.

CCI 102459501

000510-001



# SAFETY DECALS – CA 295 AND XRT 1550, GASOLINE VEHICLES, CONTINUED

ITEM	PART NO.	DESCRIPTION	QTY
		1 2 3 4	
1	101547601	Decal, Gasoline Explosion/Fire Warning .....	1
2	102231601	Decal, Winch Cable Fracture Warning .....	1
3	102458901	Decal, Hot Surface Warning .....	2
4	102459101	Decal, Frame Ground Warning .....	1
5	102459501	Decal, Rotating Parts and Hot Exhaust Warning .....	1
6	102884301	Decal, Operating Instr, AWD .....	1

**3**  
**G**  
**D**

**3**  
**G**

**D**

**UNDER 16**

**WARNING**  
YOUNG DRIVERS INCREASE CHANCE OF DEATH

- Young drivers may not be able to control vehicle.
- No drivers younger than 16 years old.
- Do not leave children unattended on vehicle.

CCI 10249801

**WARNING**  
ROLLOVER OR FALLING OFF MAY CAUSE DEATH

- Read owner's manual and operating instructions.
- Fasten seat belts and remain seated while moving.
- Children requiring a child safety seat must not ride on vehicle. Comply with state and local laws pertaining to child safety.
- Drive slowly in turns and straight up and down slopes.
- Do not start vehicle until all occupants are seated.
- Two (2) persons per bench seat maximum.
- One (1) person per bucket seat maximum.
- Operate from driver side only and not on public roads.
- Keep entire body inside vehicle while moving.
- Do not operate while under the influence of alcohol or drugs.
- Never attempt jumps and avoid extreme braking in reverse.

CCI 102384401

**WARNING**

- Do not modify or remove Roll-over Protective Structure (ROPS).
- Replace ROPS if damaged. Do not attempt repair.
- Use seat belts during operation. Do not jump from vehicle.
- Keep away from drop-offs, steep slopes, and unstable surfaces.

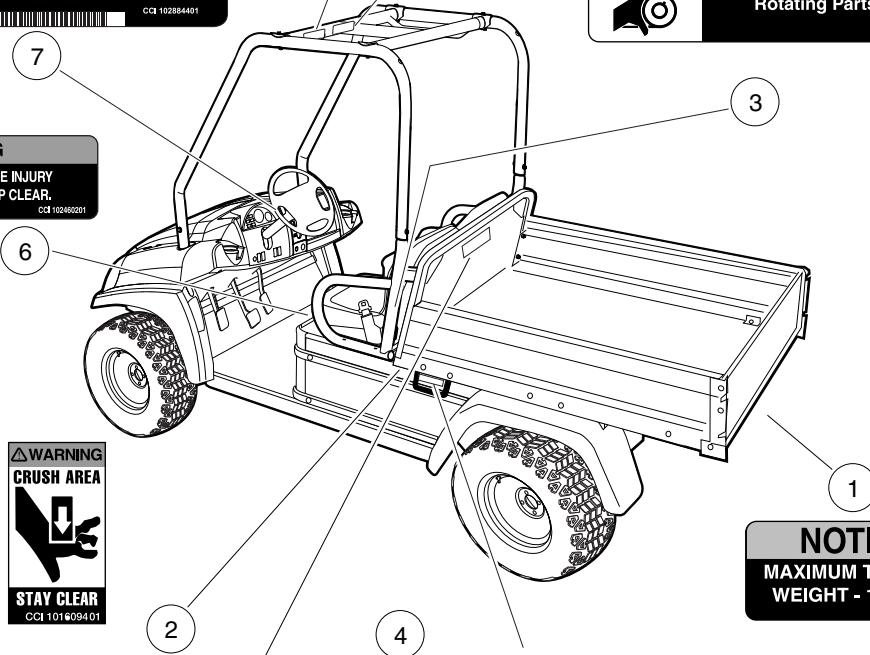
CCI 102961201

**WARNING**  
Rotating Parts

CCI 102234001

**WARNING**  
CAN CAUSE SEVERE INJURY  
Rotating parts. KEEP CLEAR.

CCI 10246201



**WARNING**  
CRUSH AREA  
STAY CLEAR

CCI 1014609401

**NOTICE**  
MAXIMUM TONGUE  
WEIGHT - 150 lbs.

CCI 1011553

**LATCH**

**WARNING**  
Crush area. Can cause severe injury.  
Stay clear when closing bed.

CCI 10245591

**WARNING**  
RIDING IN CARGO BED CAN CAUSE SEVERE INJURY OR DEATH.

- Do not ride in cargo bed.

**VEHICLE LOADING**

- Read owner's manual and warnings on dash.
- Maximum gross vehicle weight: 2750 lb. (1247 kg)
- Maximum cargo load: 800 lb. (363 kg)
- Includes cargo bed load and gross trailer weight.
- Maximum cargo load is reduced by the weight of optional equipment.
- Maximum trailer hitch tongue weight: 150 lb. force (667 N).

**PREVENT VEHICLE ROLL-OVER.**

- Place cargo forward in the cargo bed and distribute evenly side to side. Secure load.
- On uneven or steep terrain reduce speed and load. Avoid stopping on or backing down steep hills.
- Avoid top-heavy loads. See owner's manual.

CCI 103202601

**WARNING**  
RIDING IN CARGO BED CAN CAUSE SEVERE INJURY OR DEATH.

- Do not ride in cargo bed.

**HIGH CAPACITY VEHICLE LOADING**

- Read owner's manual and warnings on dash.
- Maximum gross vehicle weight: 3012 lb. (1366 kg)
- Maximum cargo load: 1050 lb. (476 kg)
- Includes cargo bed load and gross trailer weight.
- Maximum cargo load is reduced by the weight of optional equipment.
- Maximum trailer hitch tongue weight: 150 lb. force (667 N).

**PREVENT VEHICLE ROLL-OVER.**

- Place cargo forward in the cargo bed and distribute evenly side to side. Secure load.
- On uneven or steep terrain reduce speed and load. Avoid stopping on or backing down steep hills.
- Avoid top heavy loads. See owner's manual.

CCI 103210401

9

10

000513-001

# SAFETY DECALS – CA 295 AND XRT 1550, DIESEL VEHICLES

ITEM	PART NO.	DESCRIPTION	QTY
		1 2 3 4	
1	1011553	Decal, Trailer Hitch .....	1
2	101609401	Decal, Crush Area Warning .....	1
3	102224001	Decal, Rotating Parts Warning .....	1
4	102459301	Decal, Bed Crush Area Warning .....	1
5	102459401	Decal, Young Driver Warning .....	1
6	102460201	Decal, Rotating Parts Warning .....	1
7	102884401	Decal, Warning, Rollover .....	1
8	102961201	Decal, Warning, AWD ROPS .....	1
9	103202601	Decal, Vehicles Loading, Standard Vehicle .....	1
10	103210401	Decal, Loading Capacity, High Capacity Option .....	1

**3**

**G**

**D**

3

G

D

**WARNING**

**DIESEL FUEL EXPLOSION / FIRE.**

- Can cause severe injury or death.
- No smoking, sparks, or open flame.
- Stop engine, allow to cool before refueling.

CCI 102459201

**OPERATING INSTRUCTIONS**

- Read owner's manual and vehicle safety warnings. Study and understand controls.

**TO START ENGINE**

- Place shift lever in NEUTRAL (N) and press brake pedal.
- Turn key to START and hold until engine starts.

**Diesel Vehicles Only:**

- If required, turn key to PREHEAT and hold for 10-15 seconds.

**TO OPERATE VEHICLE**

- Ensure wheels are turned in desired direction and path is clear.
- With vehicle stopped and engine at idle, select vehicle direction.

- Forward   
 - Neutral   
 - Reverse (Buzzer will sound)

- Release park brake and slowly press accelerator pedal to increase speed.
- All-wheel drive will automatically drive appropriate wheel(s).

**TO STOP VEHICLE**

- Release accelerator pedal and push brake pedal.

**BEFORE LEAVING VEHICLE**

- Turn key to OFF and remove key.
- Place shift lever in NEUTRAL (N).
- Firmly set park brake.

CCI 102884301

**WARNING**

**CAN CAUSE SEVERE INJURY**

Rotating parts. KEEP CLEAR.

CCI 102466201

**WARNING**

**CAN CAUSE SEVERE INJURY**

**HOT manifold**

KEEP CLEAR

CCI 102459001

**WARNING**

**WINCH CABLE FRACTURE COULD RESULT IN SERIOUS INJURY OR DEATH.**

- Do not use winch while persons are seated on the vehicle.
- Use remote operation switch for winch control.
- Stand to the side and away from the vehicle to operate winch.
- Read winch operator manual before operating winch.

102231601

**WARNING**

**Negative frame ground. Can cause severe injury.**

Do not contact positive (+) battery post or cable to frame. Disconnect negative (-) battery cable first.

CCI 102459101

**WARNING**

**CAN CAUSE SEVERE BURNS**

Hot Surface

CCI 102458901

**WARNING**

**CAN CAUSE SEVERE INJURY**

Rotating parts. KEEP CLEAR.

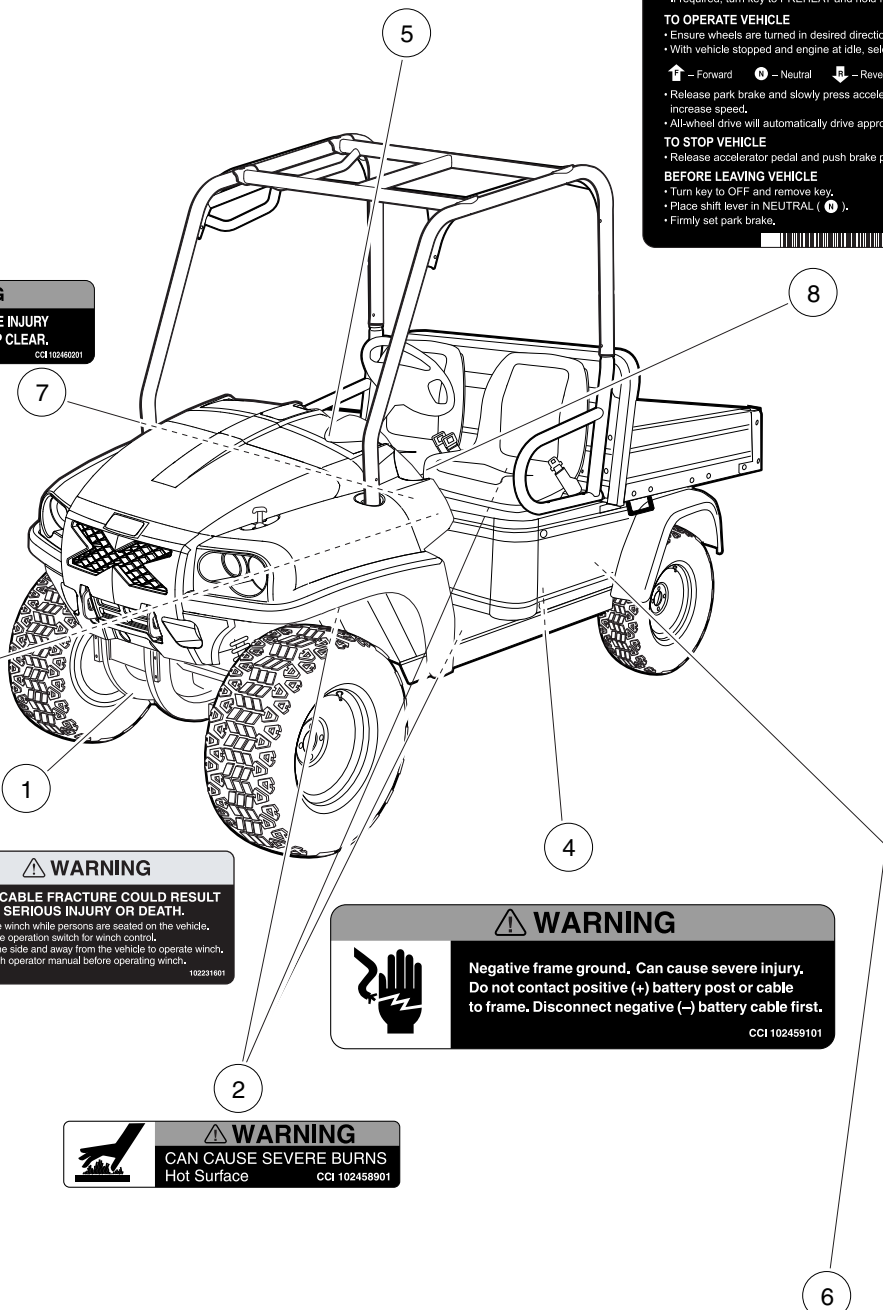
**WARNING**

**CAN CAUSE SEVERE INJURY**

Hot manifold and muffler. KEEP CLEAR.

CCI 102459501

000514-001



# SAFETY DECALS – CA 295 AND XRT 1550, DIESEL VEHICLES, CONTINUED

ITEM	PART NO.	DESCRIPTION	QTY
		<b>1 2 3 4</b>	
1	102231601	Decal, Winch Cable Fracture Warning .....	1
2	102458901	Decal, Hot Surface Warning .....	1
3	102459001	Decal, Hot Manifold Warning .....	1
4	102459101	Decal, Frame Ground Warning .....	1
5	102459201	Decal, Diesel Explosion/Fire Warning .....	1
6	102459501	Decal, Rotating Parts and Hot Exhaust Warning .....	1
7	102460201	Decal, Rotating Parts Warning .....	1
8	102884301	Decal, Operating Instr, AWD .....	1

**3**

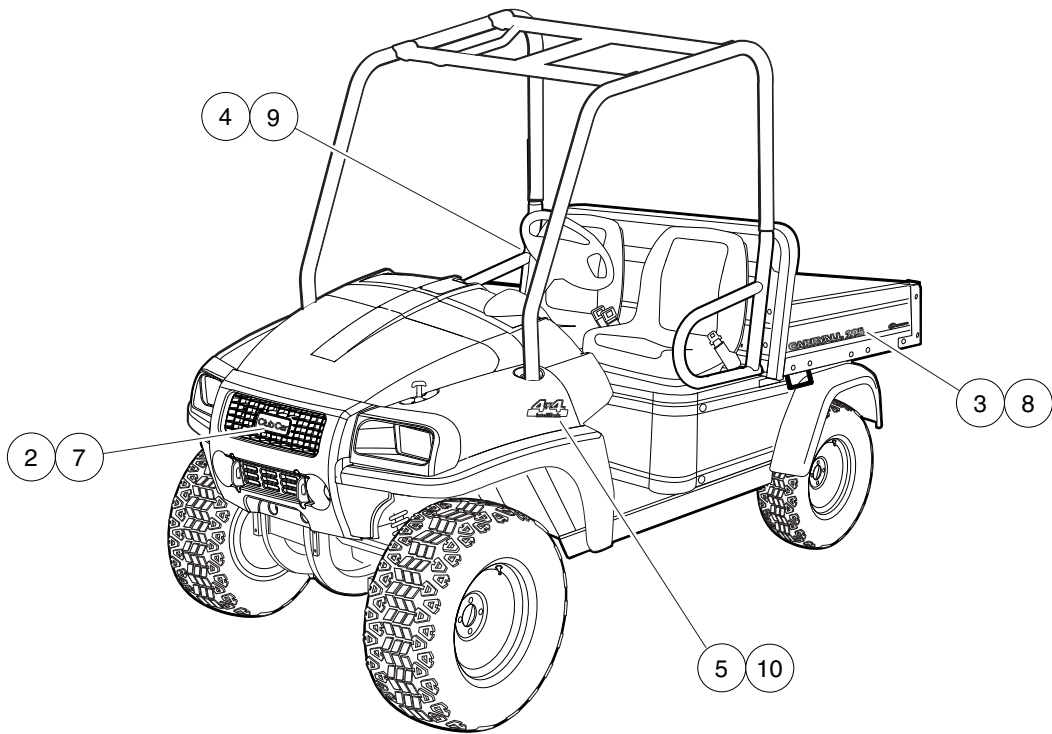
**G**

**D**

3

G

D



000531-001

## BADGING DECALS – CA 295 VEHICLES

ITEM	PART NO.	DESCRIPTION	QTY
		1 2 3 4	
1	N/A	Decal, Bed, CA, Dk Gray (includes items 2 through 5) .....	1
2	102883601	Decal, Nameplate, CCI, Front .....	1
3	103233614	Decal, Badge, CA 295, Driver-Side, Dk Gray .....	1
4	103233714	Decal, Badge, CA 295, Passenger-Side, Dk Gray .....	1
5	103234201	Decal, Badge, 4x4 .....	2
6	N/A	Instl, Decal, CA, Stl, Ntrl (includes items 7 through 10) .....	1
7	102883601	Decal, Nameplate, CCI, Front .....	1
8	103233617	Decal, Badge, CA 295, Driver-Side, Ntrl .....	1
9	103233717	Decal, Badge, CA 295, Passenger-Side, Ntrl .....	1
10	103234201	Decal, Badge, 4x4 .....	2

**3**

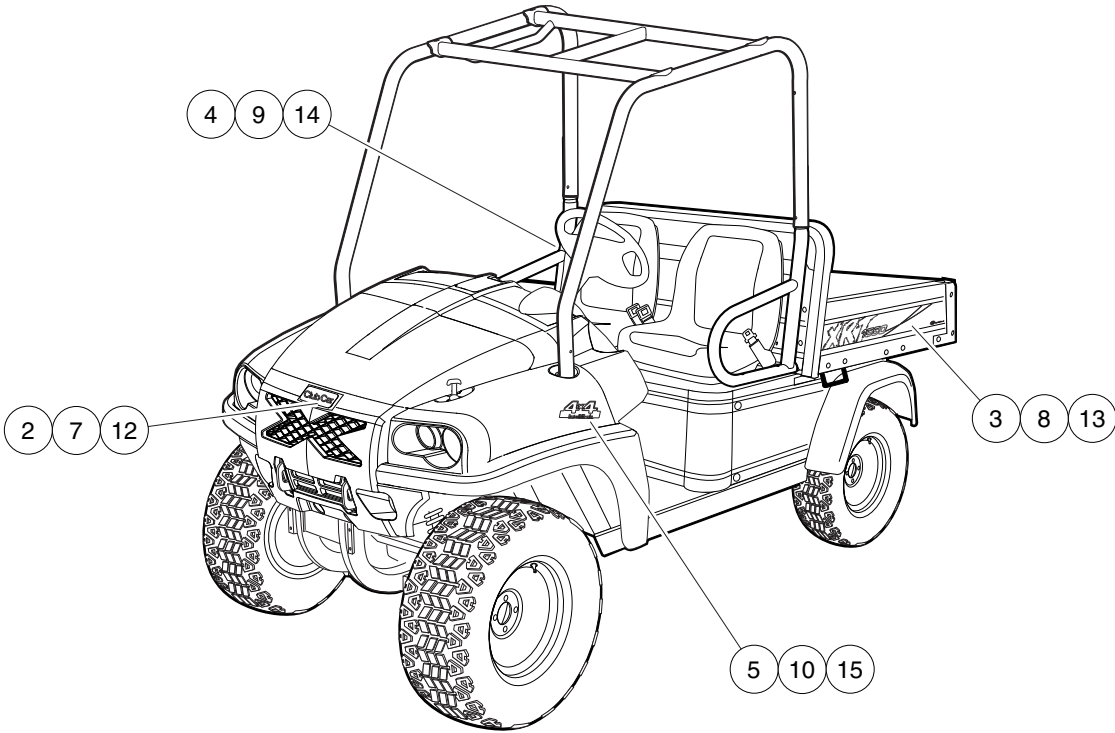
**G**

**D**

3

G

D



000531-002



## BADGING DECALS – XRT VEHICLES

ITEM	PART NO.	DESCRIPTION	QTY
		1 2 3 4	
1	N/A	Instl, Decal, Bed, XRT, Dk Grn (includes items 2 through 5) .....	1
2	102883601	Decal, Nameplate, CCI, Front .....	1
3	103233410	Decal, Bed, XRT 1550, Dk Grn, Ds .....	1
4	103233510	Decal, Bed, XRT 1550, Dk Grn, Ps .....	1
5	103234201	Decal, Badge, 4x4 .....	2
6	N/A	Instl, Decal, Bed, XRT, Red (includes items 7 through 10) .....	1
7	102883601	Decal, Nameplate, CCI, Front .....	1
8	103233415	Decal, Bed, XRT 1550, Red, Ds .....	1
9	103233515	Decal, Bed, XRT 1550, Red, Ps .....	1
10	103234201	Decal, Badge, 4x4 .....	2
11	N/A	Instl, Decal, Bed, XRT, Nrtl (includes items 12 through 15) .....	1
12	102883601	Decal, Nameplate, CCI, Front .....	1
13	103233417	Decal, Bed, Xrt1550, Ntrl, Ds .....	1
14	103233517	Decal, Bed, XRT 1550, Ntrl, Ps .....	1
15	103234201	Decal, Badge, 4x4 .....	2

**3**

**G**

**D**

3

G

D

# BRAKE SYSTEMS

---

4

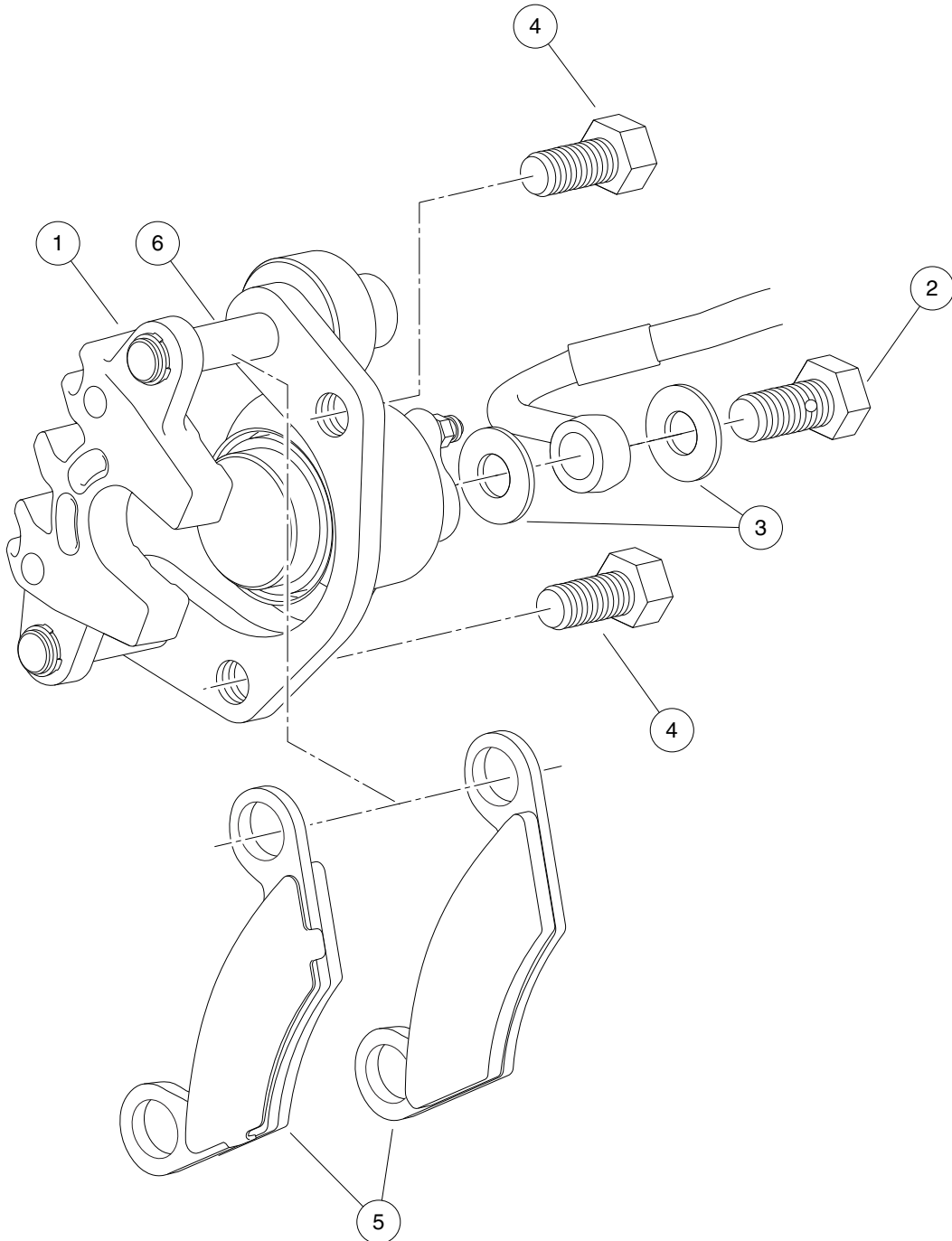
G

D

4

G

D



000067-001

# FRONT BRAKE ASSEMBLY

ITEM	PART NO.	DESCRIPTION	QTY
		<b>1 2 3 4</b>	
1	102367601	Brake Caliper, Front, with Brake Pads .....	2
2	102488001	Bolt, Banjo, M10x1x19 .....	2
3	102491601	Washer, Copper, M10 Crush .....	4
4	102493301	Bolt Flange Head, 3/8-24x.750 with Loctite .....	4
5	102714001	Service Kit, Brake Pad (4 Pads) .....	1
6	103418801	Pin, Slide, 7/16 .....	2

**4**

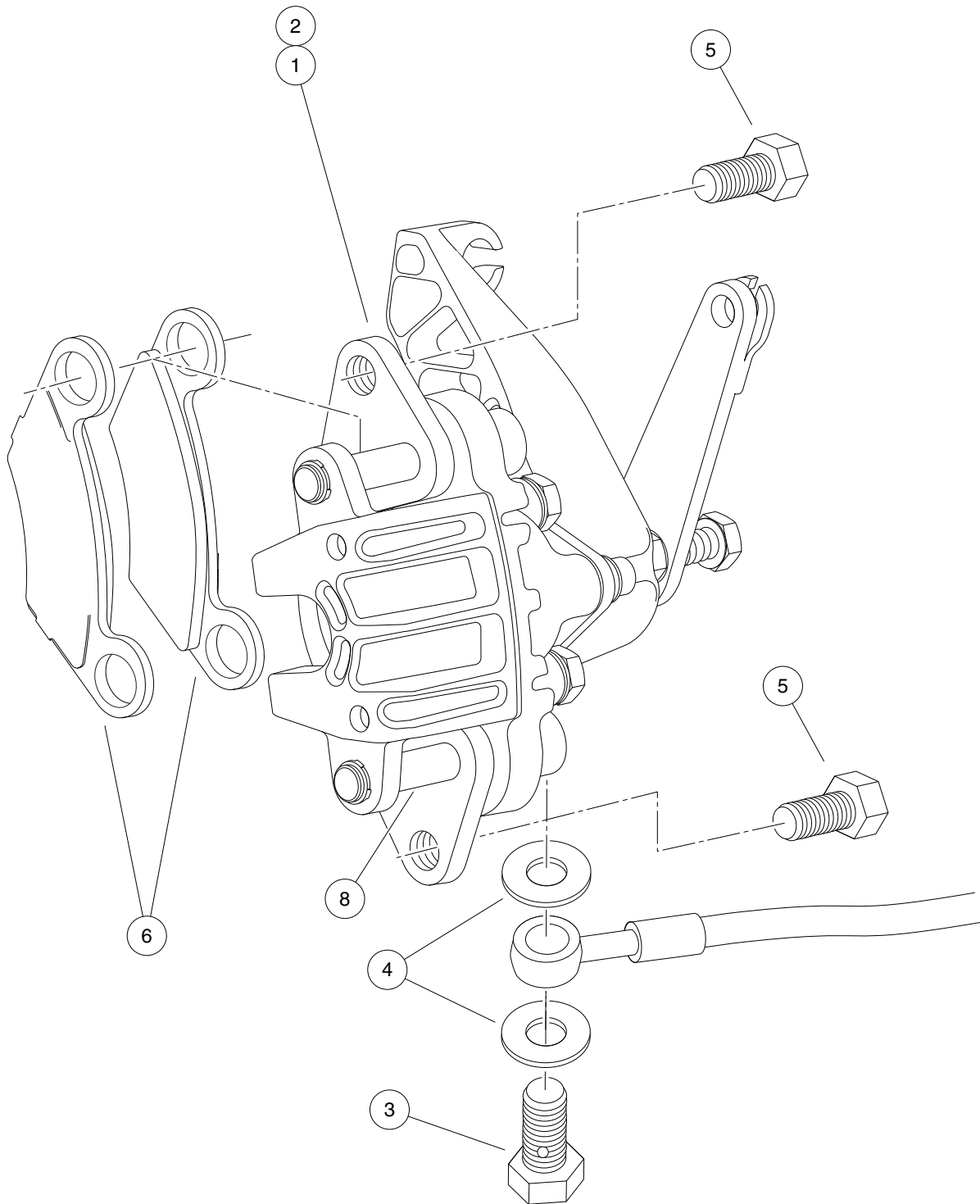
**G**

**D**

4

G

D



000068-001

## REAR BRAKE ASSEMBLY

ITEM	PART NO.	DESCRIPTION	QTY
		<b>1 2 3 4</b>	
1	102399201	Caliper, Brake, Hydro-Mechanical, LH .....	1
2	102399202	Caliper, Brake, Hydro-Mechanical, RH .....	1
3	102488001	Bolt, Banjo, M10x1x19 .....	2
4	102491601	Washer, Copper, M10 Crush .....	4
5	102493301	Bolt Flange Head, 3/8-24x.750 with Loctite .....	4
6	102714001	Service Kit, Brake Pad (4 Pads) .....	1
7	103418701	Spring, Brake Caliper, Return .....	1
8	103418801	Pin, Slide, 7/16 .....	2

**4**

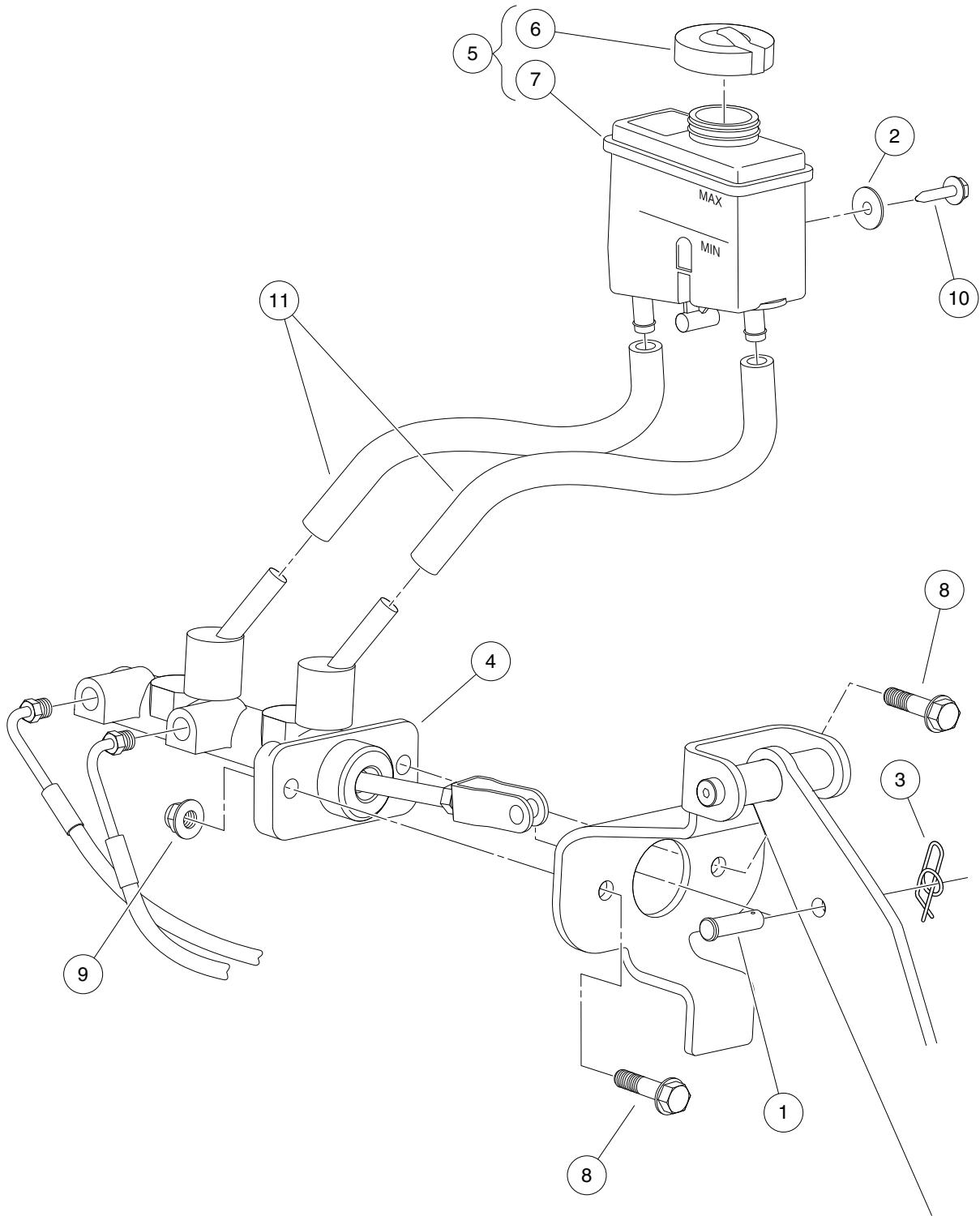
**G**

**D**

4

G

D



000069-002



# MASTER CYLINDER WITH REMOTE RESERVOIR

ITEM	PART NO.	DESCRIPTION	QTY
		1 2 3 4	
1	101082903	Clevis Pin, 5/16 X 1 .....	1
2	1014306	Washer, 1/4" Type B Flat .....	1
3	102176901	Pin, Rue .....	1
4	102402801	Cylinder, Master, Tandem .....	1
5	102402901	Assembly, Reservoir, Remote (includes items 6 and 7) .....	1
6	102051401	Filler Cap Asm .....	1
7	N/A	Reservoir, Brake Fluid, Without Cap .....	1
8	102618401	Bolt Flanged Head, M8 X 1.25 X 35 .....	2
9	102618601	Lock Nut, Flg M8 X 1.25 Nylon .....	2
10	103218213	Screw, #10x3.50 Ab Thd, Hex Hd .....	1
11	103293201	Hose, Reservoir, Brake Fluid .....	2

**4**

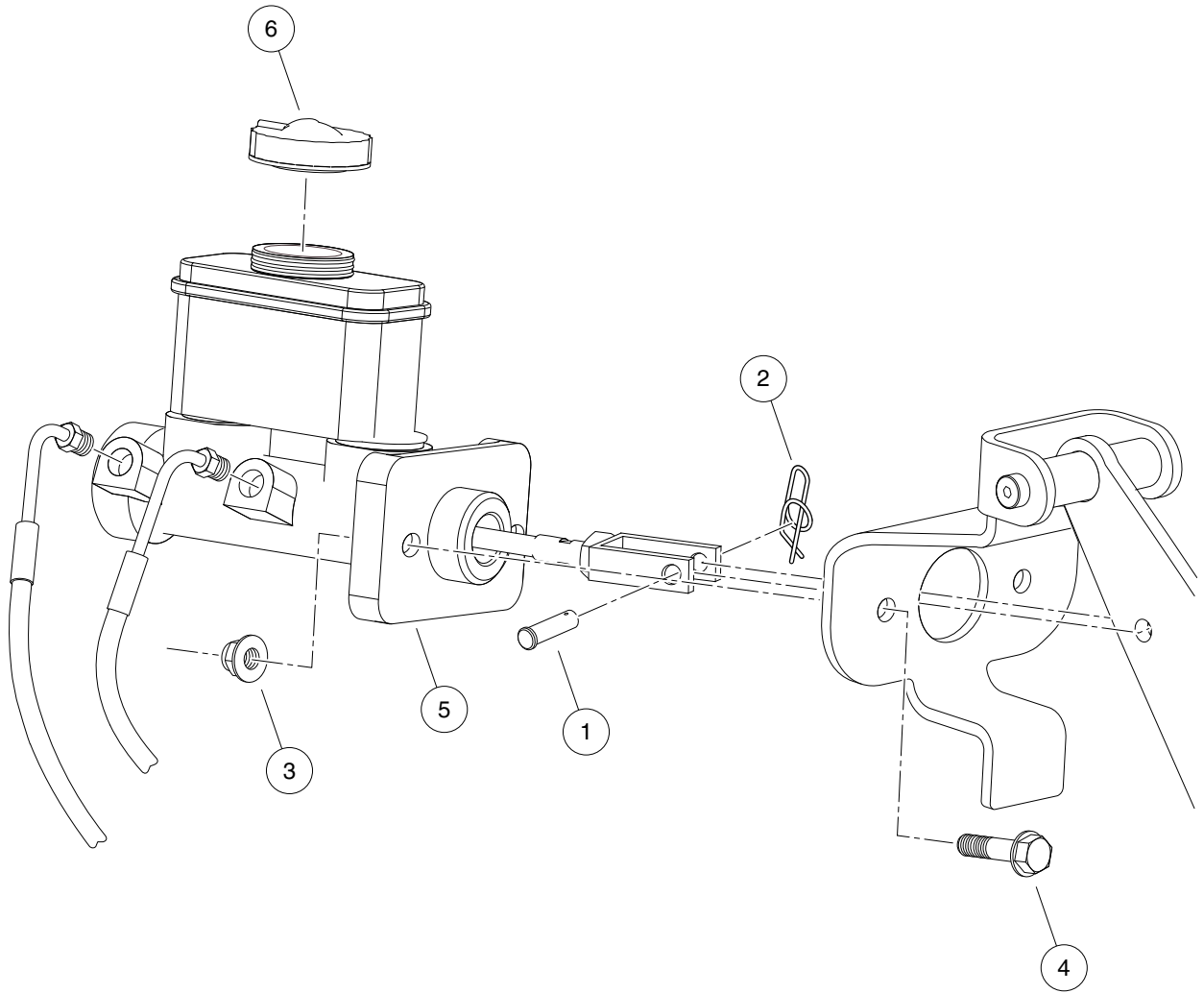
**G**

**D**

**4**  
**G**



**D**



000792-001

# MASTER CYLINDER WITH INTEGRAL RESERVOIR

ITEM	PART NO.	DESCRIPTION	QTY
		<b>1 2 3 4</b>	
1	101082903	Clevis Pin, 5/16 X 1 .....	1
2	102176901	Pin, Rue .....	1
3	102298401	Nut,m8,all Metal Lock .....	2
4	102618401	Bolt Flanged Head, M8 X 1.25 X 35 .....	2
5	103376101	Cylinder, Master, Integral Res .....	1
6	103380701	Filler Cap Asm Integral Res .....	1

**4**

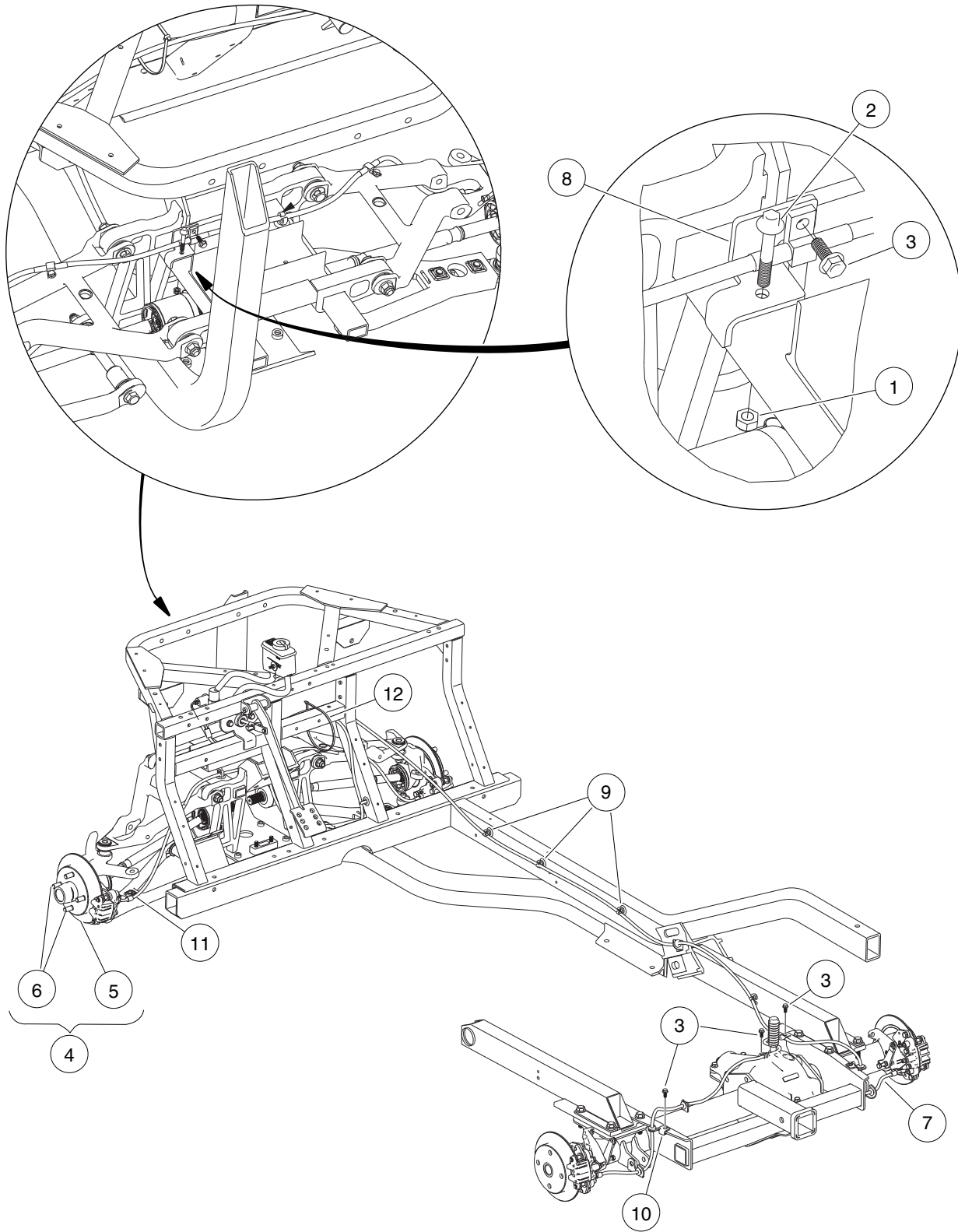
**G**

**D**

4

G

D



000015-003

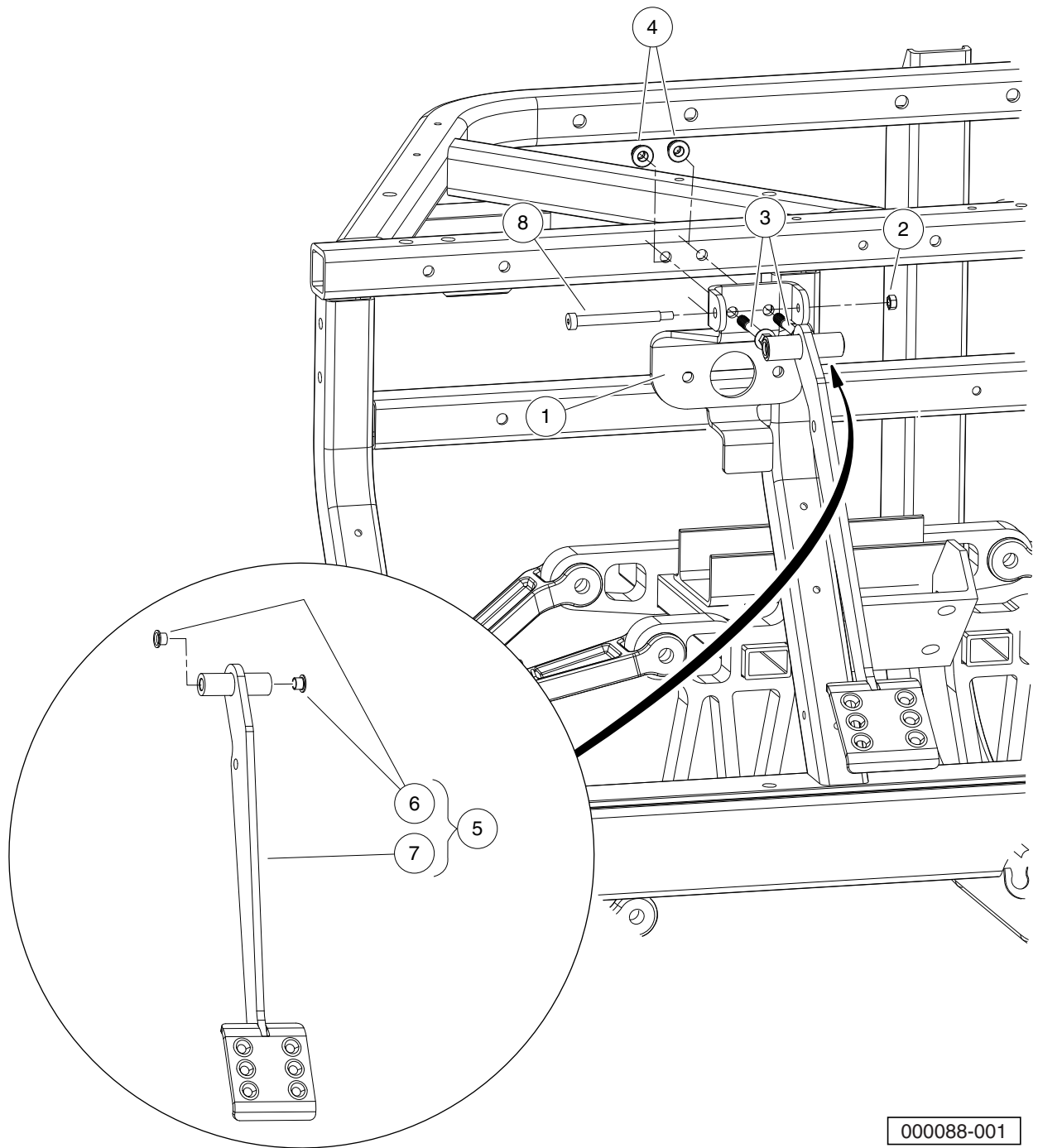
## HYDRAULIC BRAKE LINES AND CLIPS

ITEM	PART NO.	DESCRIPTION	QTY	<b>4</b>
		<b>1 2 3 4</b>		<b>G</b>
1	101887601	Locknut, M6-1.00 Nylon Insert .....	2	
2	102296140	Bolt, Flanged Head, M6x1.0x40 .....	1	
3	102296716	Screw, M6 X 16 Tt Hx Fl Hd .....	8	
4	102376601	Assy, Rotor, Brake, Front (includes items 5 and 6) .....	1	<b>D</b>
5	N/A	Rotor, Brake, Front .....	1	
6	102475801	Stud, Wheel Lug .....	4	
7	102407801	Assembly, Brake Line, Rear .....	1	
8	102474301	Bracket, Tee, Brakeline .....	1	
9	102475701	Clip, Brake Line .....	6	
10	102689001	Bracket, Line, Hydraulic .....	2	
11	103174301	Brakeline, Front, Assembly .....	1	
12	8639	Tie Wrap, 11" Nylon .....	1	

4

G

D



000088-001

# BRAKE PEDAL ASSEMBLY

ITEM	PART NO.	DESCRIPTION	QTY
		<b>1 2 3 4</b>	
1	102380601	Bracket, Pedal, Brake .....	1
2	102618101	Nut M6x1 Mech Def Center .....	1
3	102618301	Bolt Flanged Head, M8 X 1.25 X 65 .....	2
4	102618601	Lock Nut, Flg M8 X 1.25 Nylon .....	2
5	N/A	Asm, Pedal, Brake, Hung (includes items 6 and 7) .....	1
6	102442901	Bushing, Greaseless .....	2
7	102626201	Weldment, Pedal, Brake, Hung .....	1
8	103273101	Bolt, Shoulder, M8 X 70, Hc .....	1

**4**

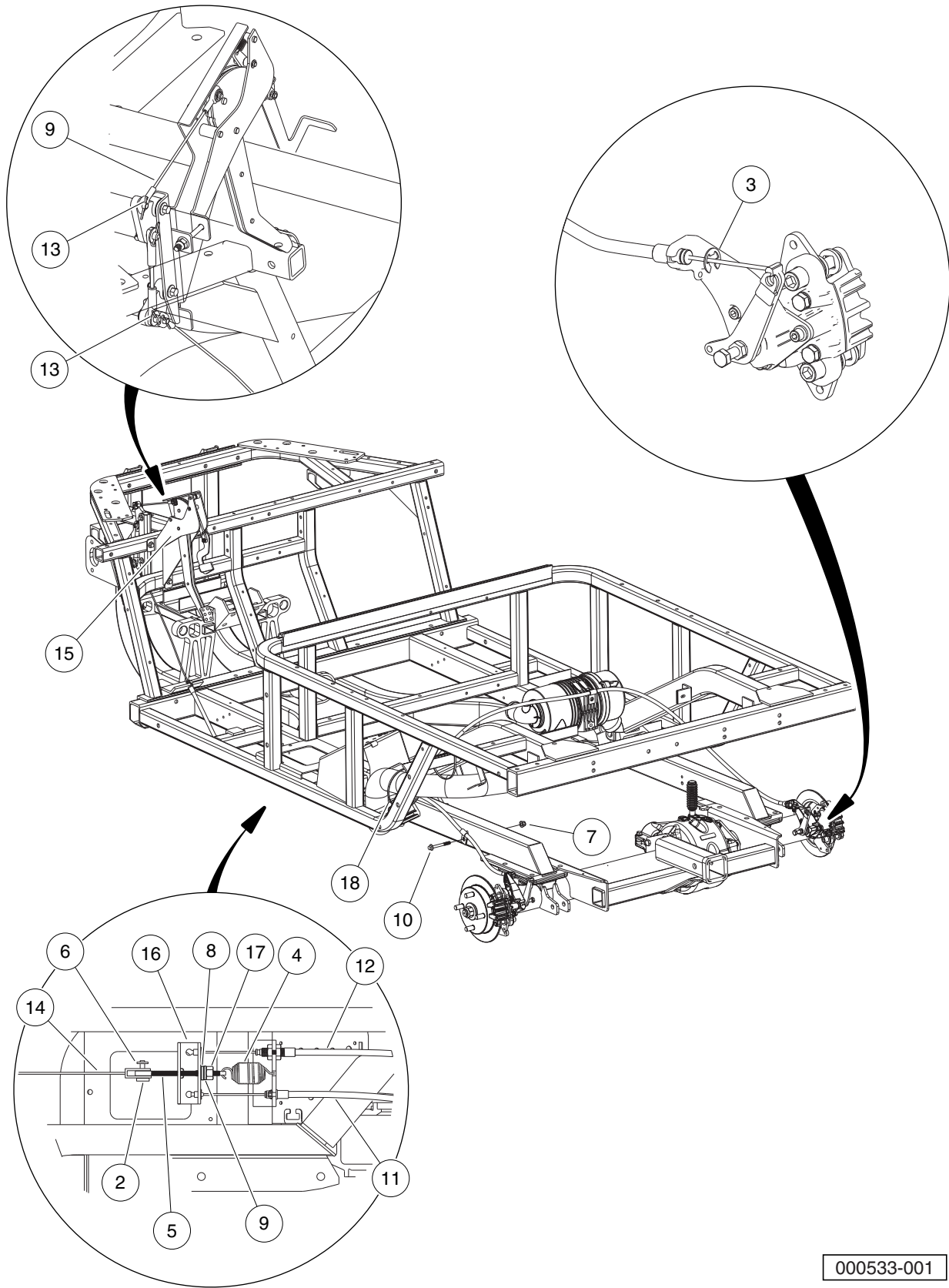
**G**

**D**

4

G

D



000533-001



# PARK BRAKE SYSTEM

ITEM	PART NO.	DESCRIPTION	QTY
		<b>1 2 3 4</b>	
1	N/A	Instl, Brake, Park, AWD (includes items 2 through 18) .....	1
2	101082903	Clevis Pin, 5/16 X 1 .....	2
3	1011779	E-Clip, 1/2 .....	2
4	1013531	Spring, Brake Return .....	1
5	101953101	Rod, Equalizer, 8.91" .....	1
6	102292801	Pin, Bow Tie Locking - .072 .....	2
7	102298401	Nut,m8,all Metal Lock .....	4
8	102551901	Washer, 5/16, Self Comp, Cup .....	1
9	102552001	Washer, 5/16, Self Comp, Cone .....	1
10	102618301	Bolt Flanged Head, M8 X 1.25 X 65 .....	4
11	102763301	Cable, Noncoated, Pbrake, Left .....	1
12	102763401	Cable, Noncoated, Pbrake, Right .....	1
13	103500901	Brkt, Cable, Park Brake .....	1
14	103505301	Cable, Main, Park Brake .....	1
15	103505401	Asm, Pedal, Park Brake .....	1
16	103535001	Bracket, Equalizer, Prec Awd .....	1
17	1242	Nut, 5/16-18 Hex .....	2
18	8639	Tie Wrap, 11" Nylon .....	2

4

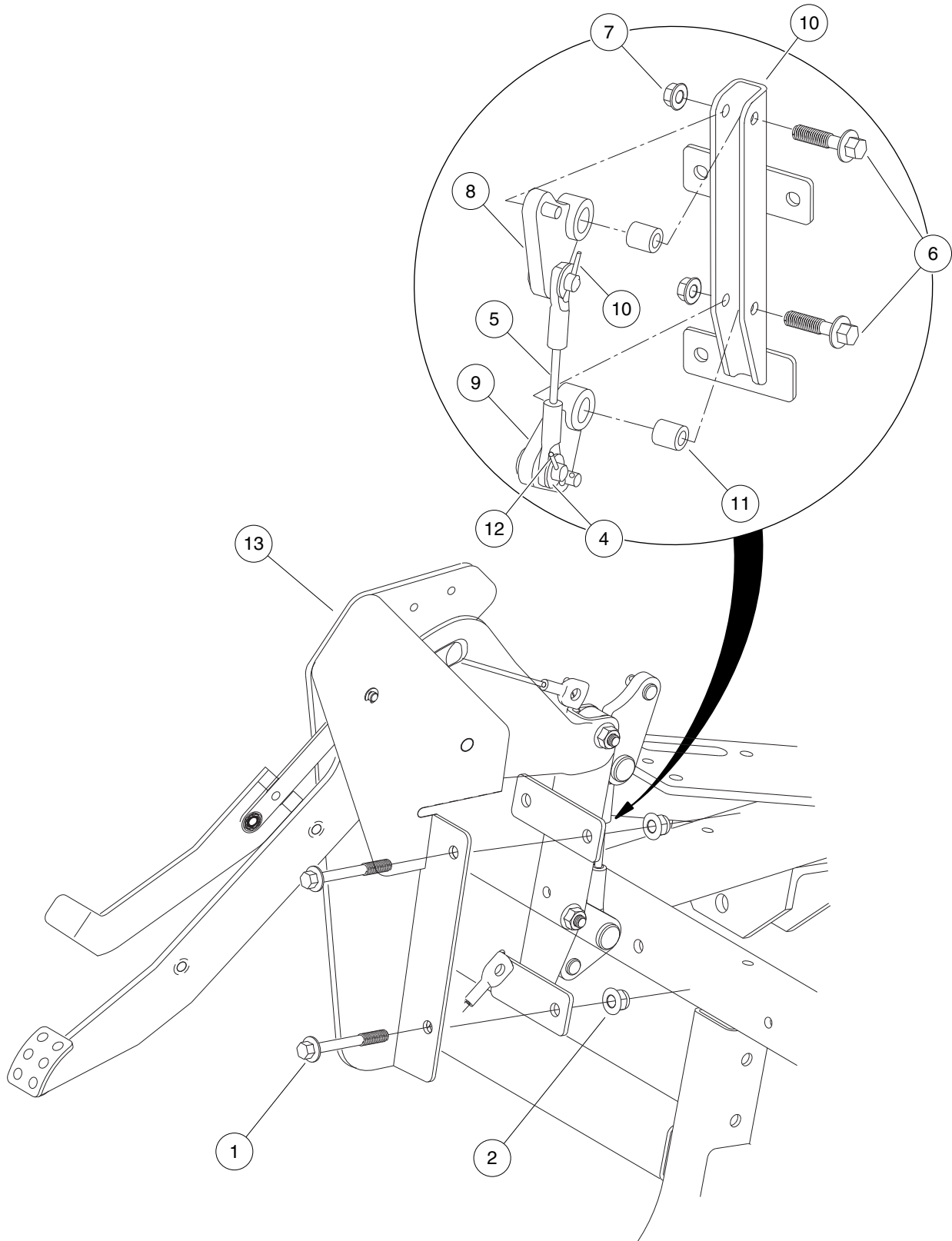
G

D

4

G

D



000086-002

## PARK BRAKE PEDAL ASSEMBLY

ITEM	PART NO.	DESCRIPTION	QTY
		<b>1 2 3 4</b>	
1	102618301	Bolt Flanged Head, M8 X 1.25 X 65 .....	3
2	102618601	Lock Nut, Flg M8 X 1.25 Nylon .....	3
3	102751501	Asm, Sub, Bracket, Park Brake (includes items 4 through 12) .....	1
4	102323501	Washer, Flat, 3/8, Blk Fin .....	2
5	102716001	Cable, Crank, Bell .....	1
6	102741501	Bolt Flg, M8x1.25 X 35, Gr10.9 .....	2
7	102741601	Nut Flg M8 X 1.25 Gr 10 .....	2
8	102751301	Asm, Bellcrank, Upper .....	1
9	102751401	Asm, Bellcrank, Lower .....	1
10	103305001	Brkt, Bellcrank, Prk Brk, Awd .....	1
11	103305101	Spacer, Pivot, Park Brk, Awd .....	2
12	1035	Cotter Pin, 3/32 x 1 .....	2
13	103505401	Asm, Pedal, Park Brake .....	1

**4**

**G**

**D**

**4**

**G**

**D**

# STEERING AND SUSPENSION

---

5

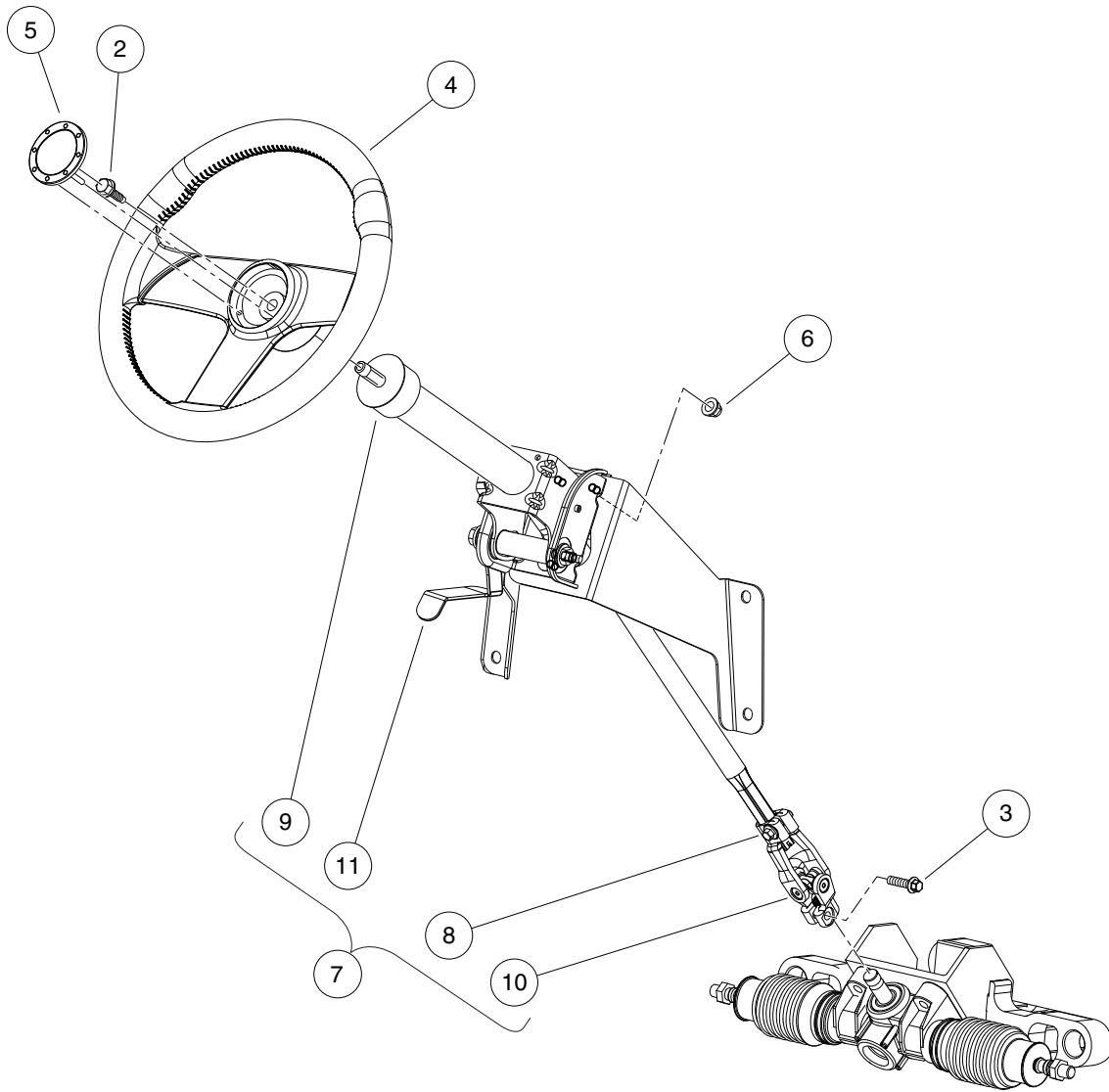
G

D

5

G

D



000070-002

# STEERING COLUMN

ITEM	PART NO.	DESCRIPTION	QTY
		<b>1 2 3 4</b>	
1	N/A	Instl, Steering System (includes items 2 through 7) .....	1
2	102290120	Bolt, M10 X 20 Hex Washer Hd .....	1
3	102298130	Bolt, Flange Head, M8 X 30.0 .....	1
4	102363802	Steering Wheel, Viper, Hex Hub .....	1
5	102367101	Cap, Steering Wheel, Viper .....	1
6	102618601	Lock Nut, Flg M8 X 1.25 Nylon .....	3
7	102989801	Steering Column (includes items 8 through 11) .....	1
8	102298130	Bolt, Flange Head, M8 X 30.0 .....	1
9	102571301	Shroud, Steering Column .....	1
10	102616801	Bolt, M4 X .7 X 60 .....	1
11	102977101	Handle, Steering, Tilt .....	1

**5**

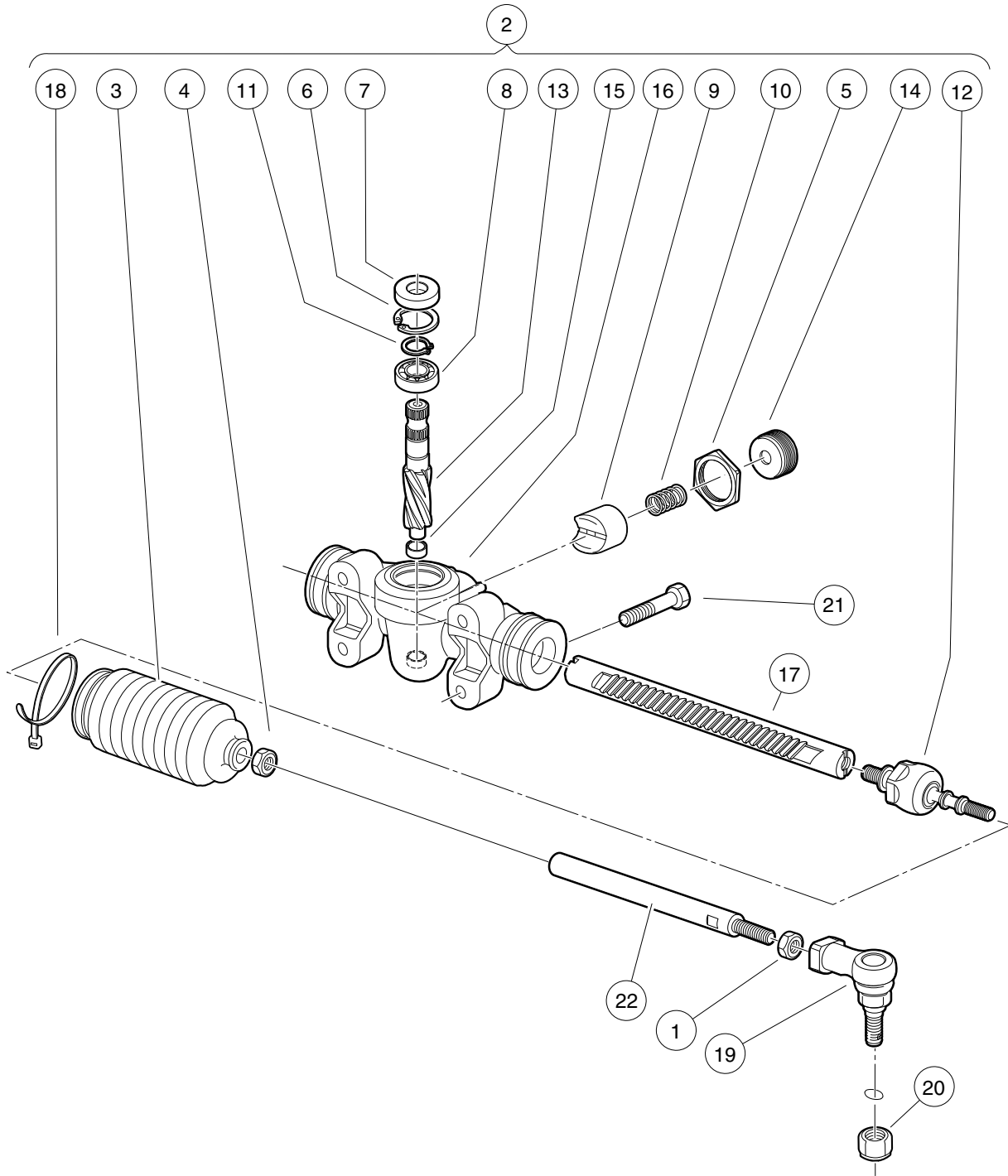
**G**

**D**

5

G

D



000071-001

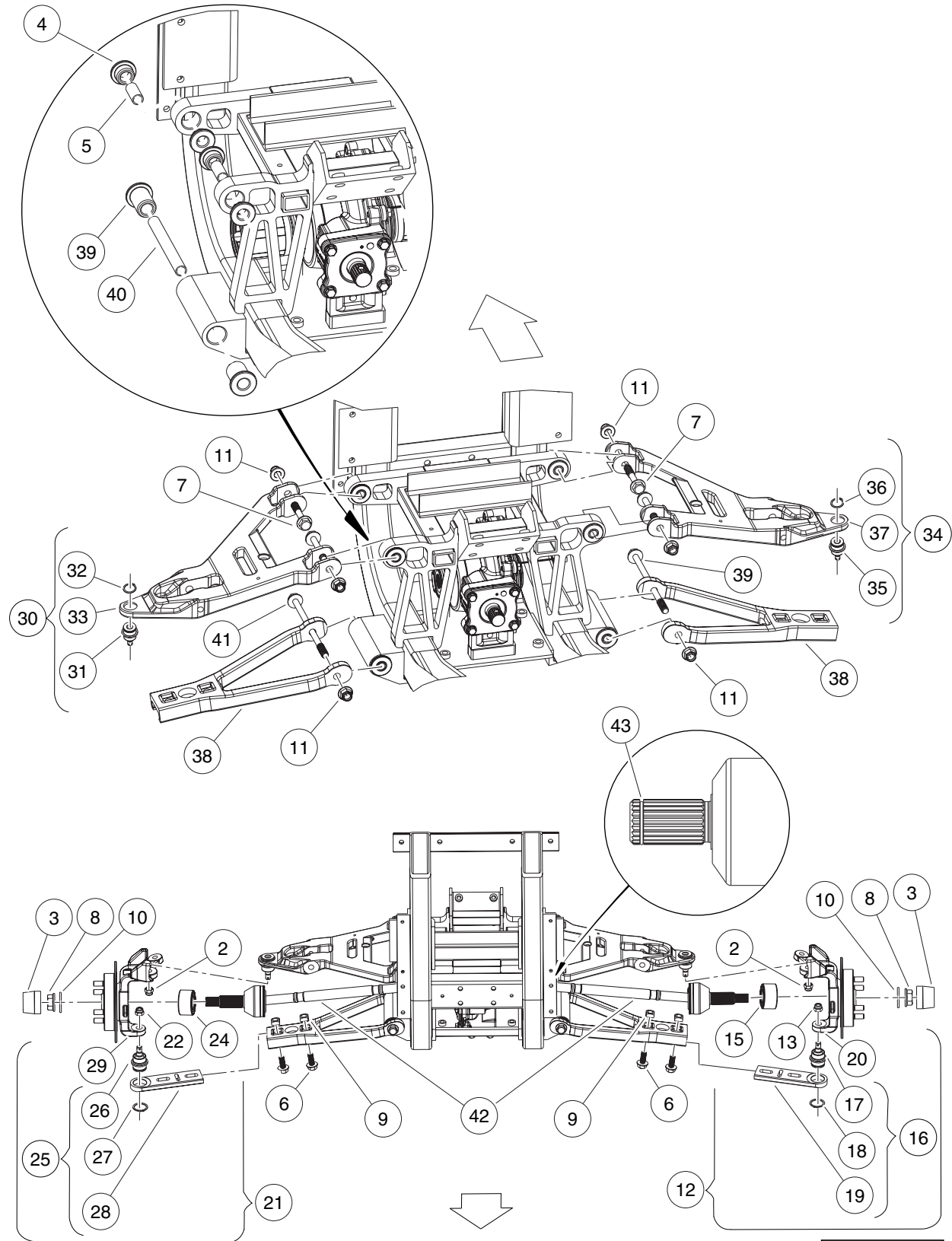


# STEERING GEAR ASSEMBLY

ITEM	PART NO.	DESCRIPTION	QTY	
		<b>1 2 3 4</b>		5
1	1013042	Nut, 12mm Hex .....	2	G
2	102010102	Steering Rack (includes items 3 through 18) .....	1	
3	1013035	Bellows, Long .....	2	
4	1013042	Nut, 12mm Hex .....	2	D
5	1013044	Rack Screw Locknut .....	1	
6	1013051	Snap Ring .....	1	
7	1013052	Seal, Steering Pinion Dust .....	1	
8	101879401	Bearing, Ball .....	1	
9	101879701	Support Yoke .....	1	
10	101879801	Rack Guide Pressure Spring .....	1	
11	101879901	Ring, Stop, C-Type .....	1	
12	101880201	Inner Ball Joint Asm .....	2	
13	N/A	Pinion, Steering .....	1	
14	N/A	Bearing, Lower Pinion .....	1	
15	N/A	Screw, Rack Guide .....	1	
16	N/A	Housing, Steering Gear .....	1	
17	N/A	Rack, Steering .....	1	
18	8990	Tie Wrap, 8" Nylon .....	2	
19	102022601	End, Tie Rod M12 X 1.25 Rh .....	2	
20	102022901	Locknut, M12-1.25 Nylon .....	2	
21	102687801	Bolt, Flange Head, M10x 1.5 X 40 with Loctite .....	4	
22	102816801	Link, Drag, Wt .....	2	

**5**  
**G**

**D**



000534-001

## FRONT SUSPENSION – A-ARMS

ITEM	PART NO.	DESCRIPTION	QTY
		<b>1 2 3 4</b>	
1	N/A	Suspension, AWD, Wide (includes items 2 through 42) .....	1
2	102022901	Locknut, M12-1.25 Nylon .....	2
3	102274101	Center Cap, Rubber .....	2
4	102408401	Bushing, A-Arm .....	8
5	102437001	Sleeve, Upper .....	4
6	102490801	Bolt, Flange Head, M12x 1.75x 30 with Loctite .....	4
7	102616301	Bolt, Flange Head, M12 X 1.75 X 70 .....	4
8	102617501	Nut Flg, M22 X 1.5 Mech Def .....	2
9	102617701	Nut, Square, M12x 1.75 .....	4
10	102617801	Washer Hard, M22 .....	2
11	102620501	Nut Flg, M12x1.75, Nylon Gr 10 .....	6
12	102791701	Upright, Left-Hand (includes items 13 through 20) .....	1
13	102022901	Locknut, M12-1.25 Nylon .....	1
14	102376605	Assy, Rotor, Brake, Front, Gr .....	1
15	102464301	Bearing .....	1
16	102874301	Asm, Adjuster, Slide (includes items 17 through 19) .....	1
17	102361901	Joint, Ball .....	1
18	102722301	Ring, Retaining, Ext, 1-1/4" .....	1
19	N/A	Slide, Adjuster .....	1
20	103277001	Upright, Finished, Lh .....	1
21	102791702	Upright, Right-Hand (includes items 22 through 29) .....	1
22	102022901	Locknut, M12-1.25 Nylon .....	1
23	102376605	Assy, Rotor, Brake, Front, Gr .....	1
24	102464301	Bearing .....	1
25	102874301	Asm, Adjuster, Slide (includes items 26 through 28) .....	1
26	102361901	Joint, Ball .....	1
27	102722301	Ring, Retaining, Ext, 1-1/4" .....	1
28	N/A	Slide, Adjuster .....	1
29	103277002	Upright, Finished, Rh .....	1
30	102792001	Asm, A-Arm, Upper, Left (includes items 31 through 33) .....	1
31	102361901	Joint, Ball .....	1
32	102722301	Ring, Retaining, Ext, 1-1/4" .....	1
33	102927101	Arm, Upper, Wide, Machined, Lh .....	1
34	102792002	Asm, A-arm, Upper, Right (includes items 35 through 37) .....	1
35	102361901	Joint, Ball .....	1
36	102722301	Ring, Retaining, Ext, 1-1/4" .....	1
37	102927102	Arm, Upper, Wide, Machined,rh .....	1
38	102874501	A-Arm, Lower .....	2
39	103148501	Bushing, A-arm Front .....	2
40	103256401	Sleeve, Lower Arm .....	2
41	103256701	Bolt Flg, M12 X 1.75 X 200 10. ....	2
42	103762201	Front Halfshaft, Awd .....	2
43	103345801	Ring, Hog, Half Shaft .....	2

**5**

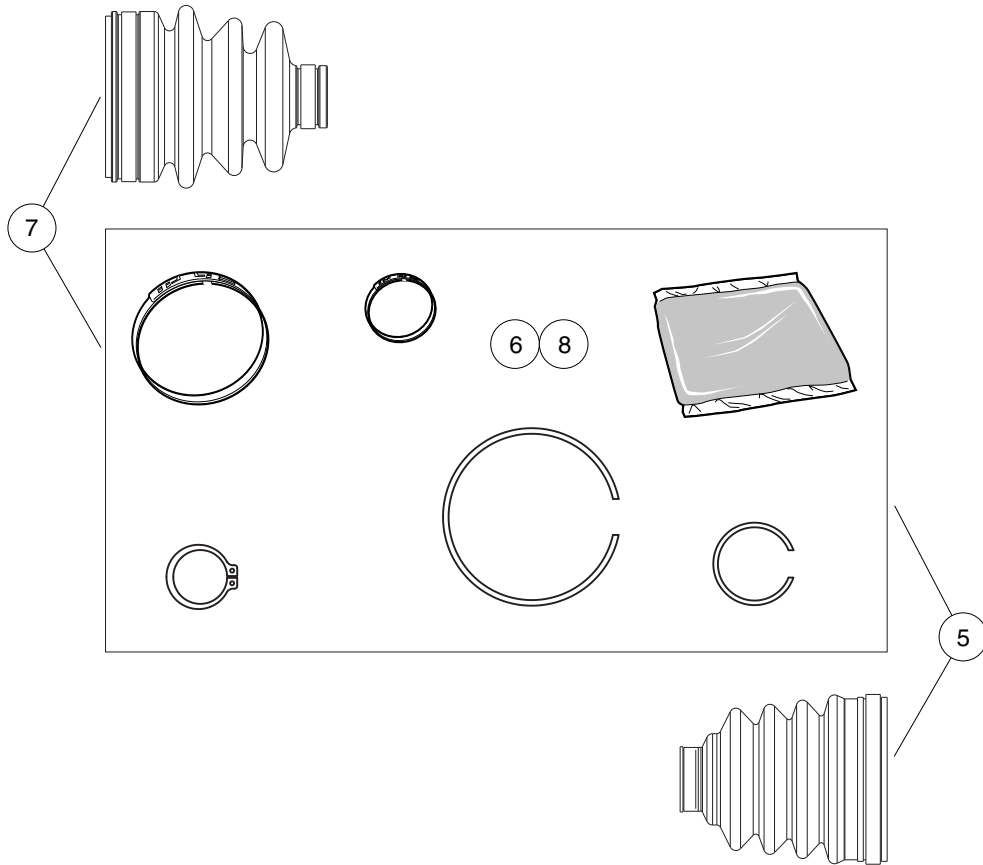
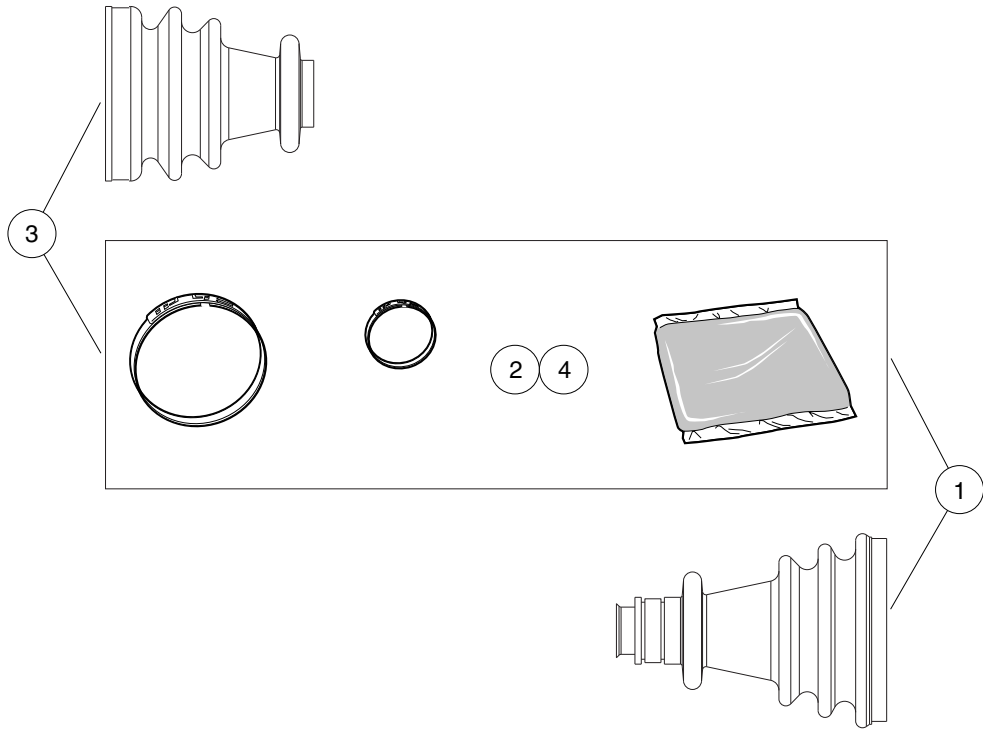
**G**

**D**

5

G

D



000791-001

## CV BOOT REPAIR KITS

ITEM	PART NO.	DESCRIPTION	QTY
		<b>1 2 3 4</b>	
1	AM11807	Boxed Outboard Boot Kit (includes item 2) .....	1
2	N/A	Half Shaft Boot Instl. Instr. ....	1
3	AM11808	Boxed Inboard Boot Kit (includes item 4) .....	1
4	N/A	Half Shaft Boot Instl. Instr. ....	1
5	AM1241201	Kit, Outer Boot, Gen 2 (includes item 6) .....	1
6	N/A	Instructions, Boot Replacement .....	1
7	AM1241301	Kit, Inner Boot, Gen 2 (includes item 8) .....	1
8	N/A	Instructions, Boot Replacement .....	1

5

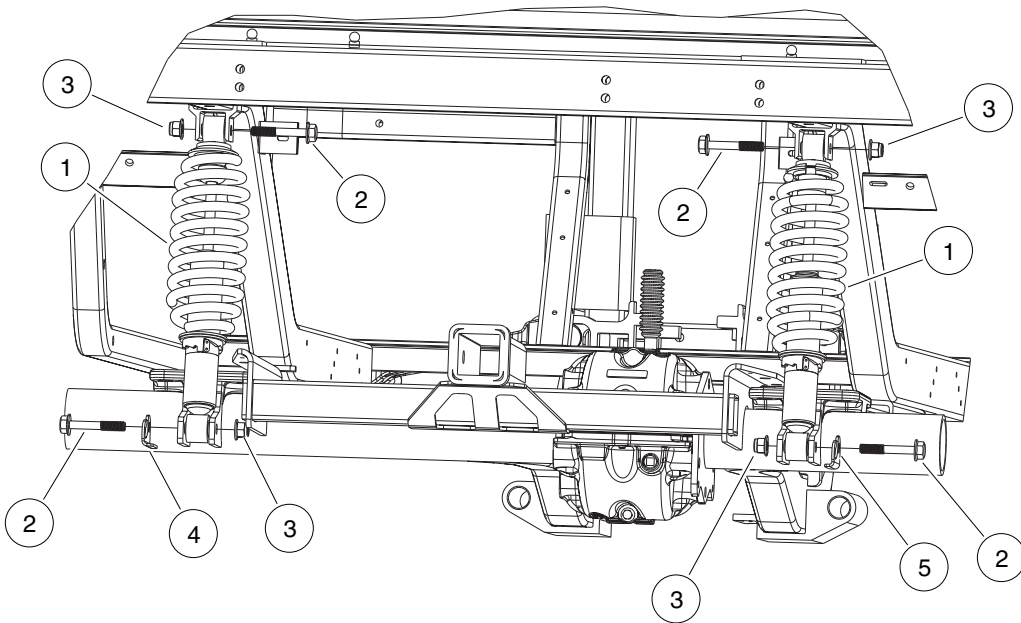
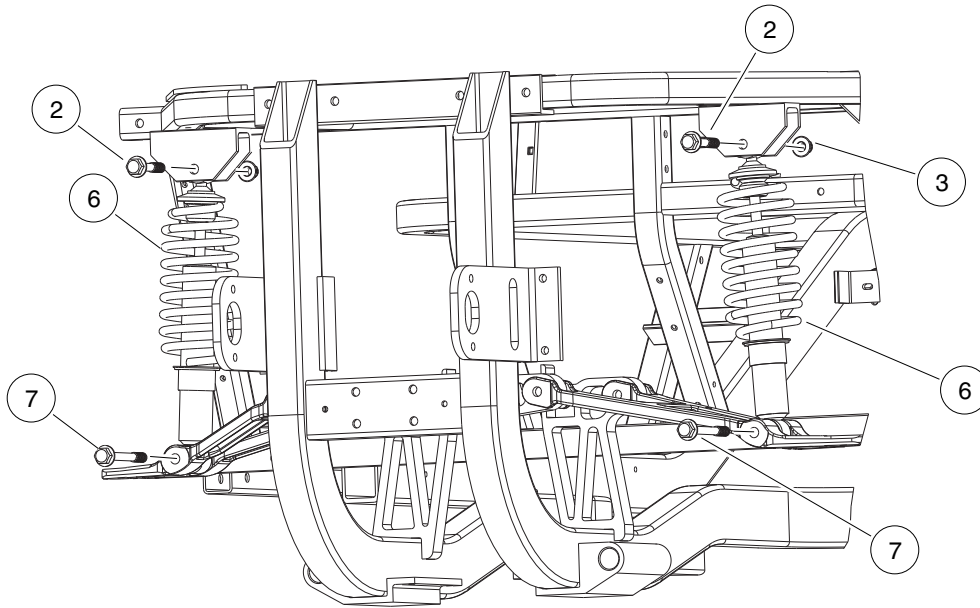
G

D

5

G

D



000530-001

## SHOCK ABSORBERS – STANDARD

ITEM	PART NO.	DESCRIPTION	QTY
		1 2 3 4	
1	102365601	Shock, Coil Over Rear .....	2
2	102616301	Bolt, Flange Head, M12 X 1.75 X 70 .....	6
3	102620501	Nut Flg, M12x1.75, Nylon Gr 10 .....	6
4	102689101	Brkt, Line, Hyd, Shk Mnt, Drv .....	1
5	102689102	Brkt, Line, Hyd, Shk Mnt, Pass .....	1
6	102786301	Shock, Coil Over, 330 Lb/in .....	2
7	102788701	Bolt Flg, M12x1.75x100, Patch .....	2
		<p>Note: Shock, coil over 102792101 has been superceded by 102786301 and must be installed as matched pairs.</p>	

5

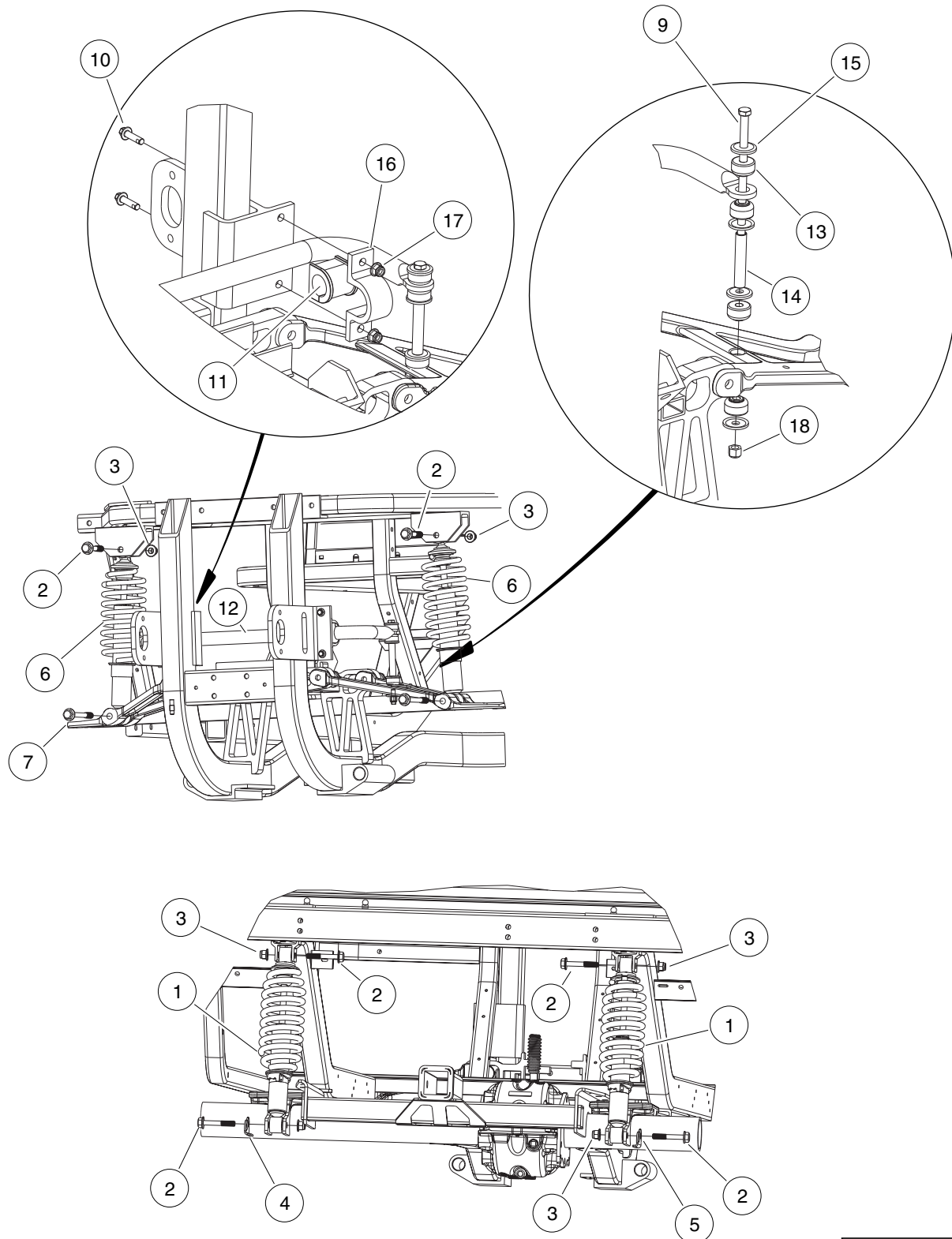
G

D

5

G

D



000530-002



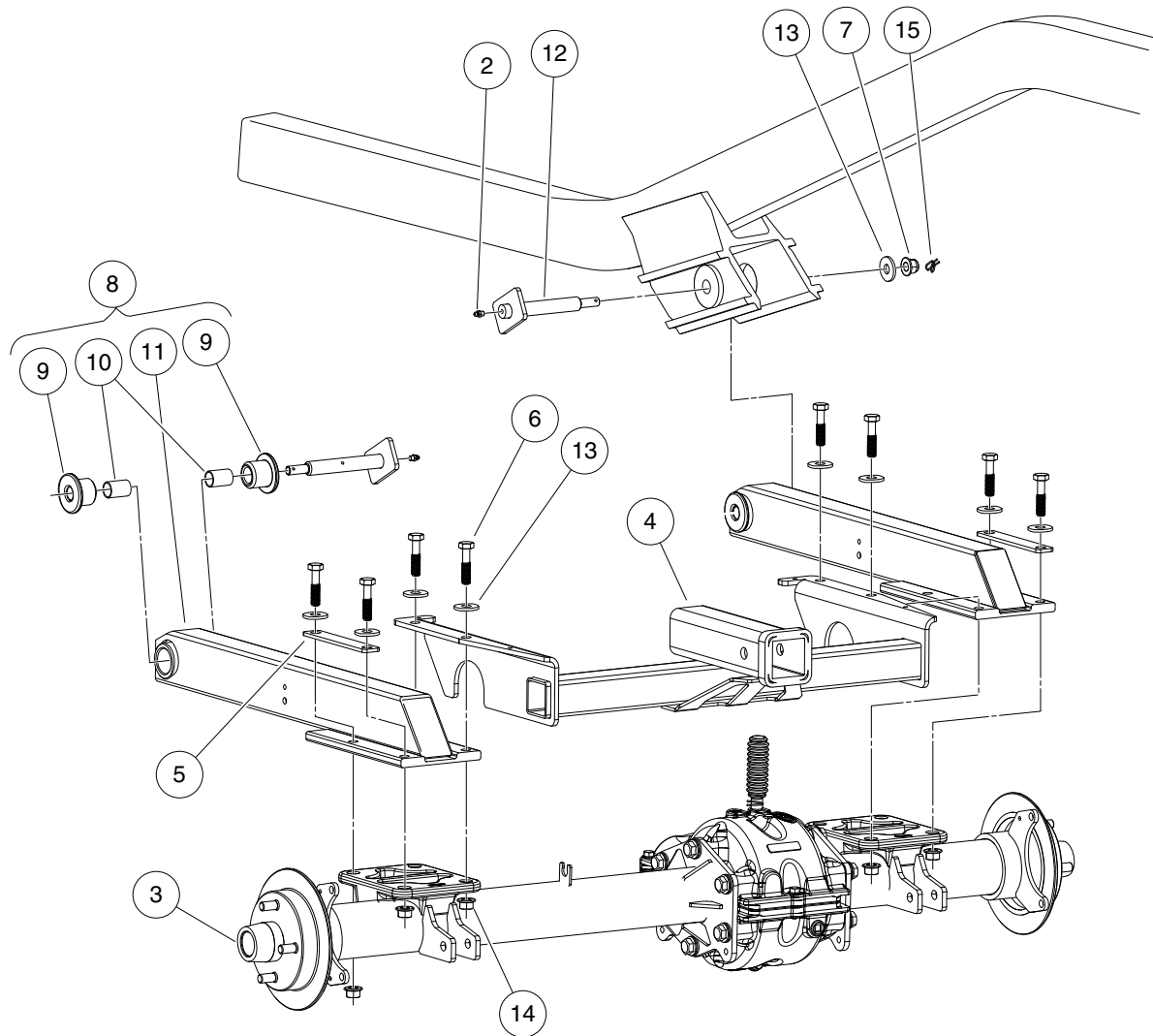
## SHOCK ABSORBERS – HIGH CAPACITY

ITEM	PART NO.	DESCRIPTION	QTY	
		<b>1 2 3 4</b>		<b>5</b>
1	102365602	Shock, Coil Over, Rear HD .....	2	<b>G</b>
2	102616301	Bolt, Flange Head, M12 X 1.75 X 70 .....	6	
3	102620501	Nut Flg, M12x1.75, Nylon Gr 10 .....	6	
4	102689101	Brkt, Line, Hyd, Shk Mnt, Drv .....	1	<b>D</b>
5	102689102	Brkt, Line, Hyd, Shk Mnt, Pass .....	1	
6	102786301	Shock, Coil Over, 330 Lb/in .....	2	
7	102788701	Bolt Flg, M12x1.75x100, Patch .....	2	
8	N/A	Instl, Bar, Antisway, Wide Frt (includes items 9 through 18) .....	1	
9	1016183	Screw, 3/8-16 X 7.00 Hex Cap .....	2	
10	102298130	Bolt, Flange Head, M8 X 30.0 .....	4	
11	102446601	Bushing, Anti-Sway Bar, 1-1/8 .....	1	
12	102464601	Bar, Sway, Formed .....	1	
13	102470101	Bushing, Link .....	8	
14	102470501	Sleeve, Link .....	2	
15	102470601	Washer, Cup, Bushing .....	8	
16	102495001	Bracket, Anti-Sway Bar .....	2	
17	102618601	Lock Nut, Flg M8 X 1.25 Nylon .....	4	
18	8754	Locknut, 3/8-16 Hex .....	2	
		Note: Shock, coil over 102792101 has been superceded by 102786301 and must be installed as matched pairs.		

5

G

D



000031-002

## REAR SUSPENSION – STANDARD

ITEM	PART NO.	DESCRIPTION	QTY
		1 2 3 4	
1	N/A	Instl, Rear Suspension (includes items 2 through 15) .....	1
2	1015597	Fitting, 1/4-28 Thread-Forming Grease .....	2
3	102274101	Center Cap, Rubber .....	2
4	102393501	Weldment, Receiver, Rear .....	1
5	102619801	Washer, Strip, Swingarm .....	2
6	102620401	Bolt Flanged Head, M12 X 1.75 X 50 .....	8
7	102620501	Nut Flg, M12x1.75, Nylon Gr 10 .....	2
8	N/A	Sub Asm Swingarm (includes items 9 through 11) .....	2
9	102398901	Bushing, Pivot, Urethane .....	2
10	102477001	Bushing, Teflon .....	2
11	103282301	Swingarm, Rear, Awd .....	1
12	102682901	Pin, Swingarm, Weldment .....	2
13	102684501	Washer, M12 Hard Regular .....	10
14	102685601	Nut Flg M12 X 1.75 Cl10 .....	8
15	102737101	Cotter, Rue Ring, 1/2" .....	2

**5**

**G**

**D**

**5**

**G**

**D**

# ELECTRICAL SYSTEM

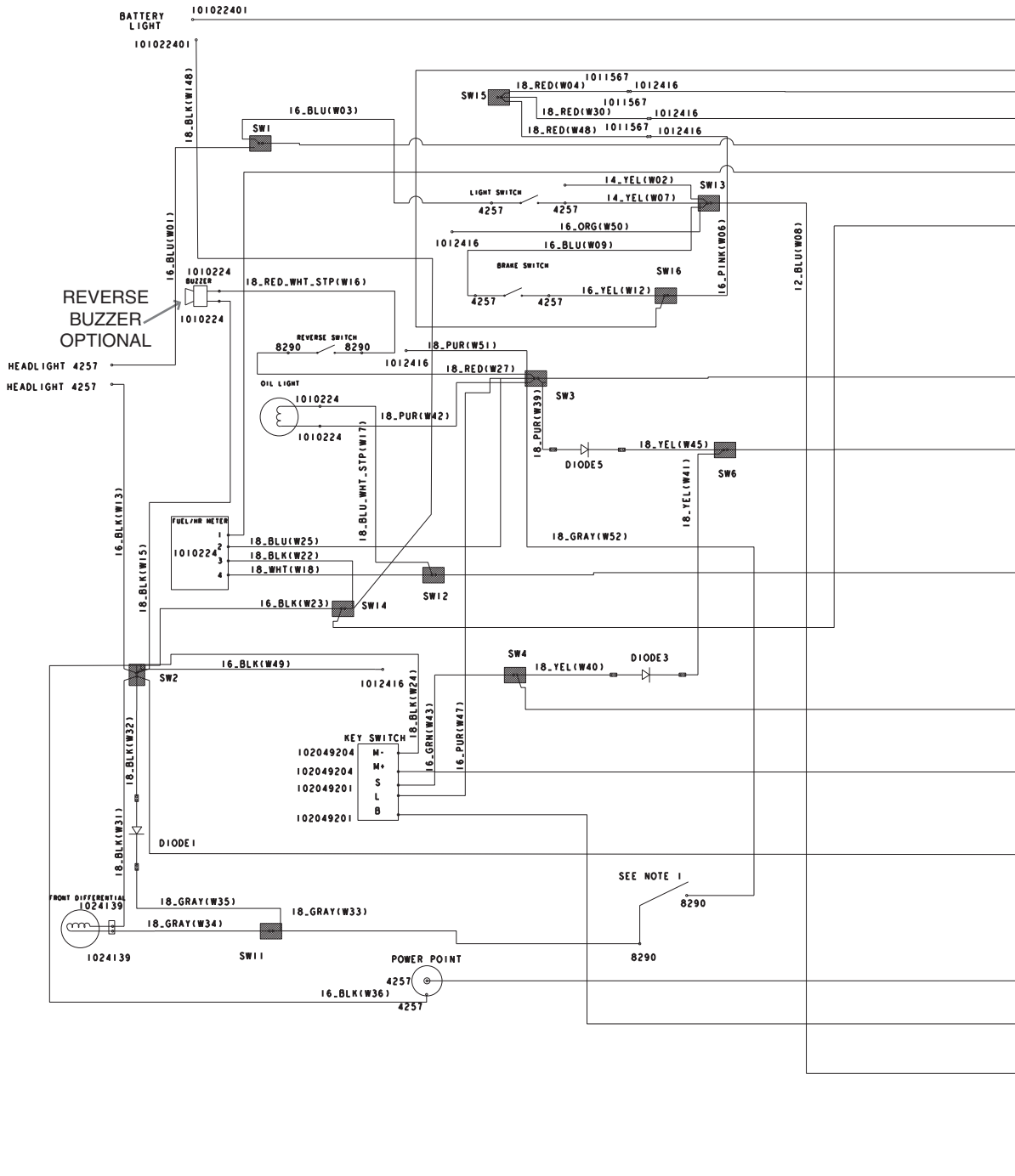
---

6

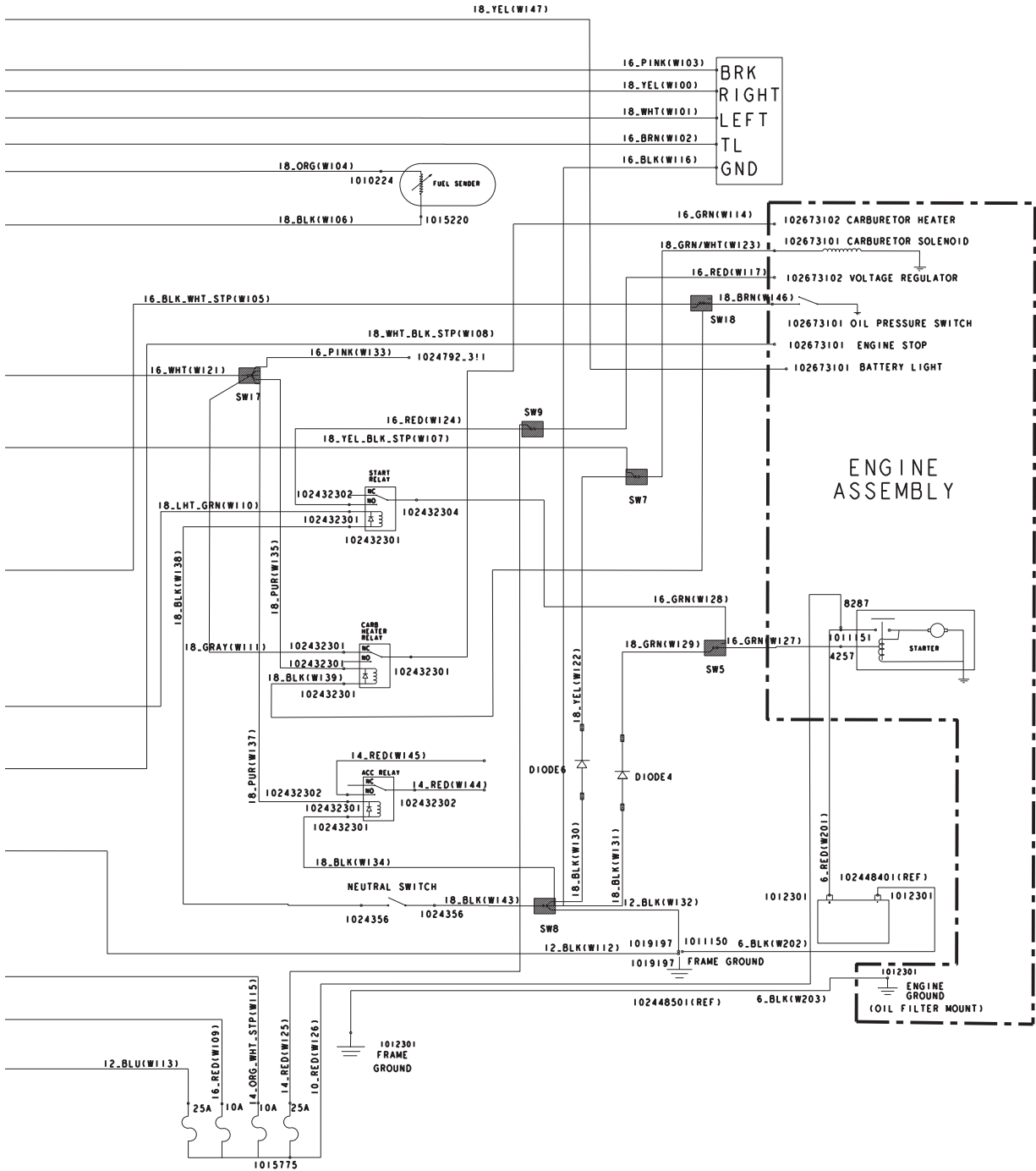
G

D

# KAWASAKI GASOLINE VEHICLE



000662-001



000662-001

**6**

**G**

**D**

See previous two pages for illustration.



## WIRING – GASOLINE VEHICLES, SINGLE PIECE

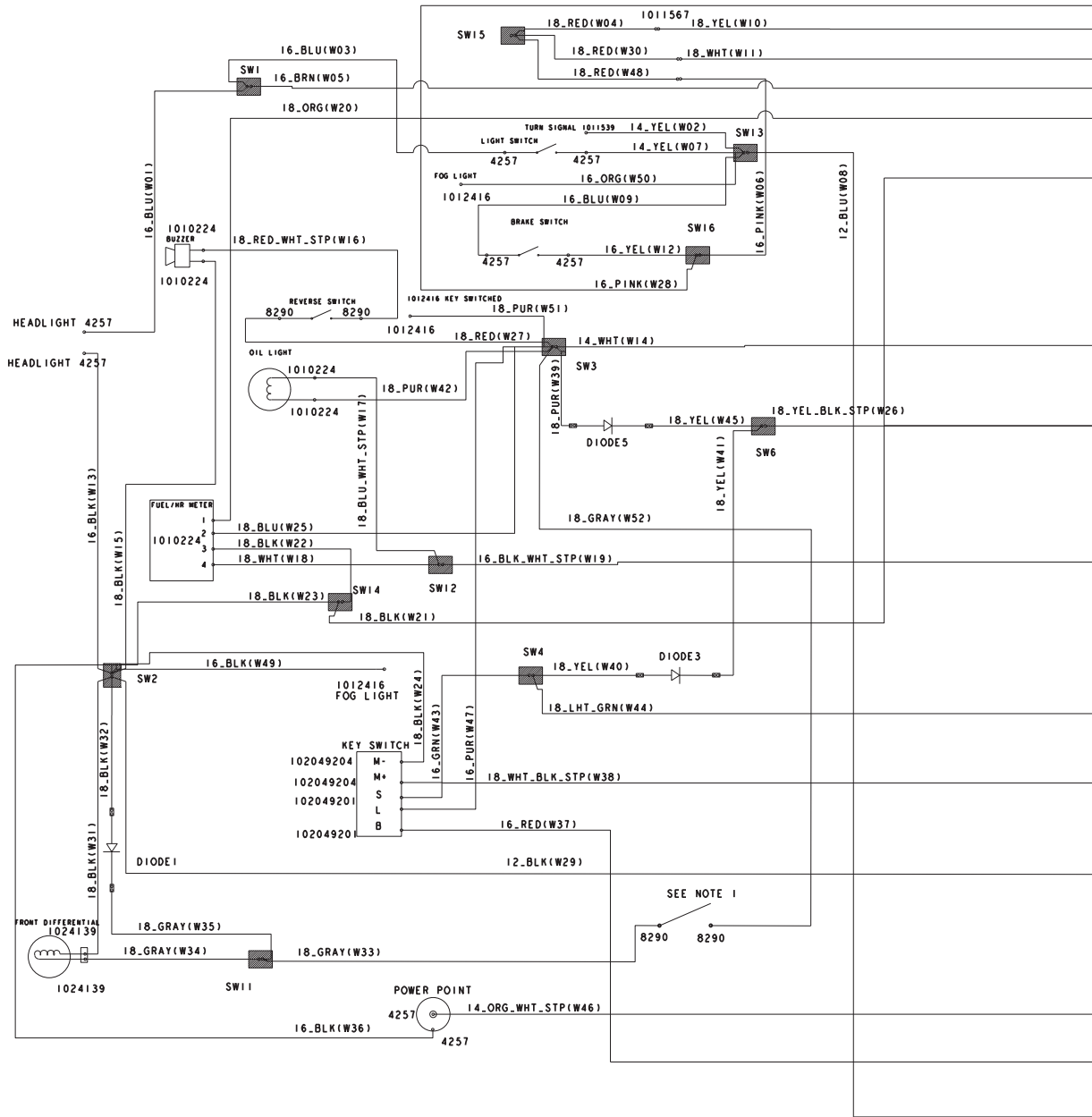
ITEM	PART NO.	DESCRIPTION	QTY
		<b>1 2 3 4</b>	
1	102538501	Diode, General Purpose, 6.0a .....	1
2	103305701	Harness, AWD, Kawasaki .....	1
3	103327201	Asm, Switch, Limit, Awd .....	1

**6**

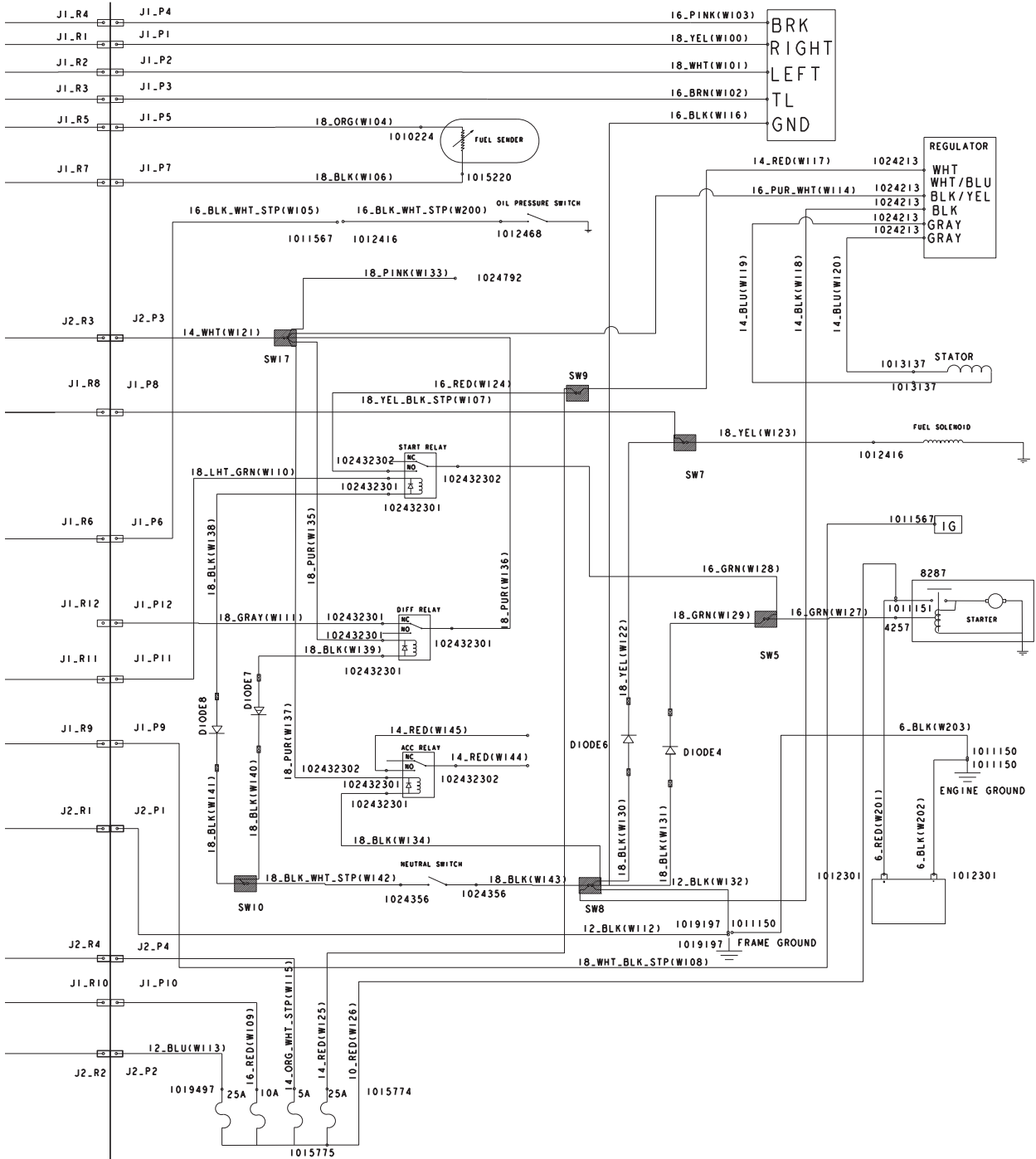
**G**

**D**

# HONDA GASOLINE VEHICLE



000535-001



000535-001

**6**

**G**

**D**

See previous two pages for illustration.

## WIRING – GASOLINE VEHICLE, MULTI-PIECE

ITEM	PART NO.	DESCRIPTION	QTY
		1 2 3 4	
1	102538501	Diode, General Purpose, 6.0a .....	1
2	102985001	Harness, Restyle Gas, Front .....	1
3	102985101	Harness, Restyle Gas, Rear .....	1
4	103259301	Asm, Switch, Limit .....	1

**6**

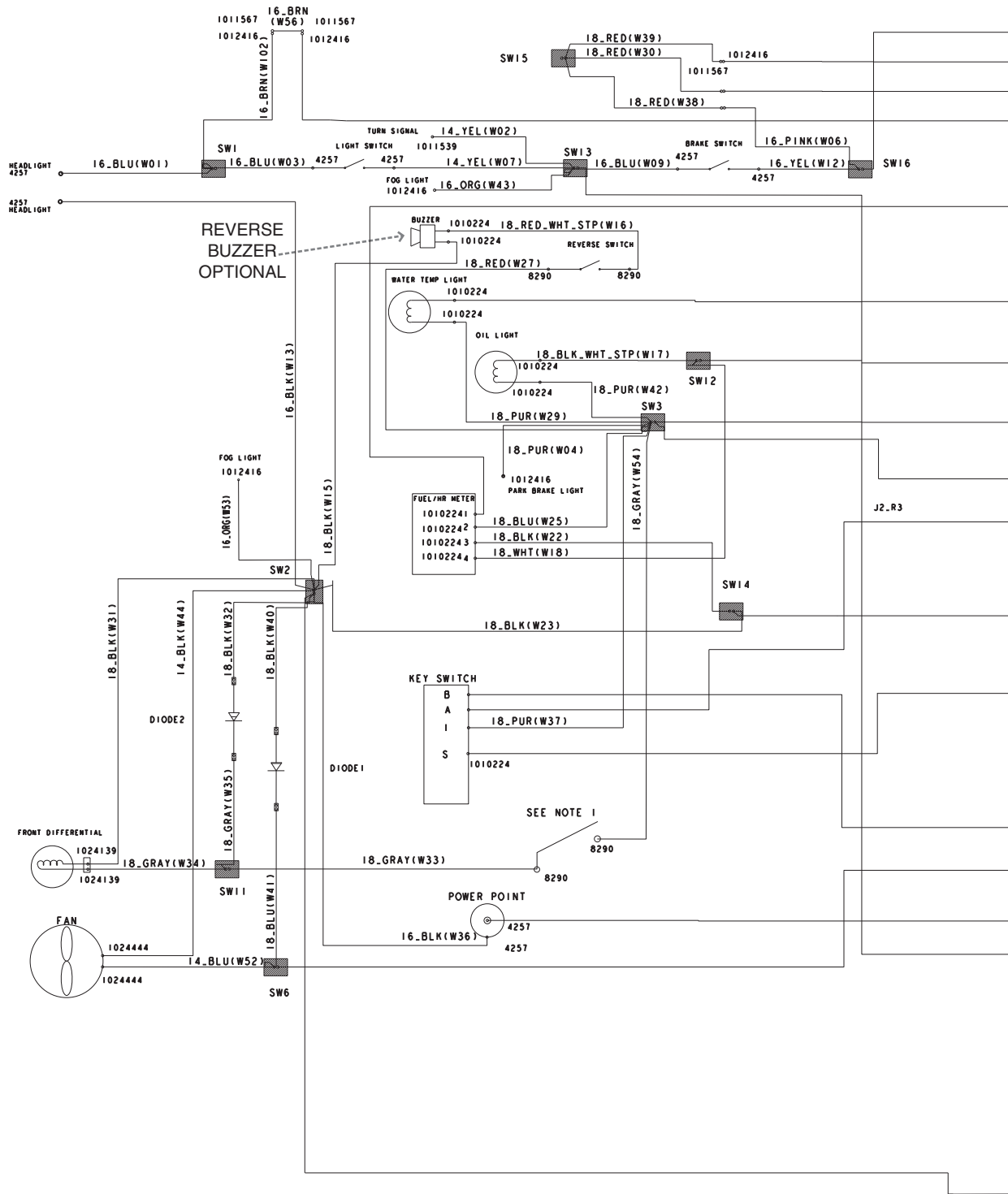
**G**

**D**

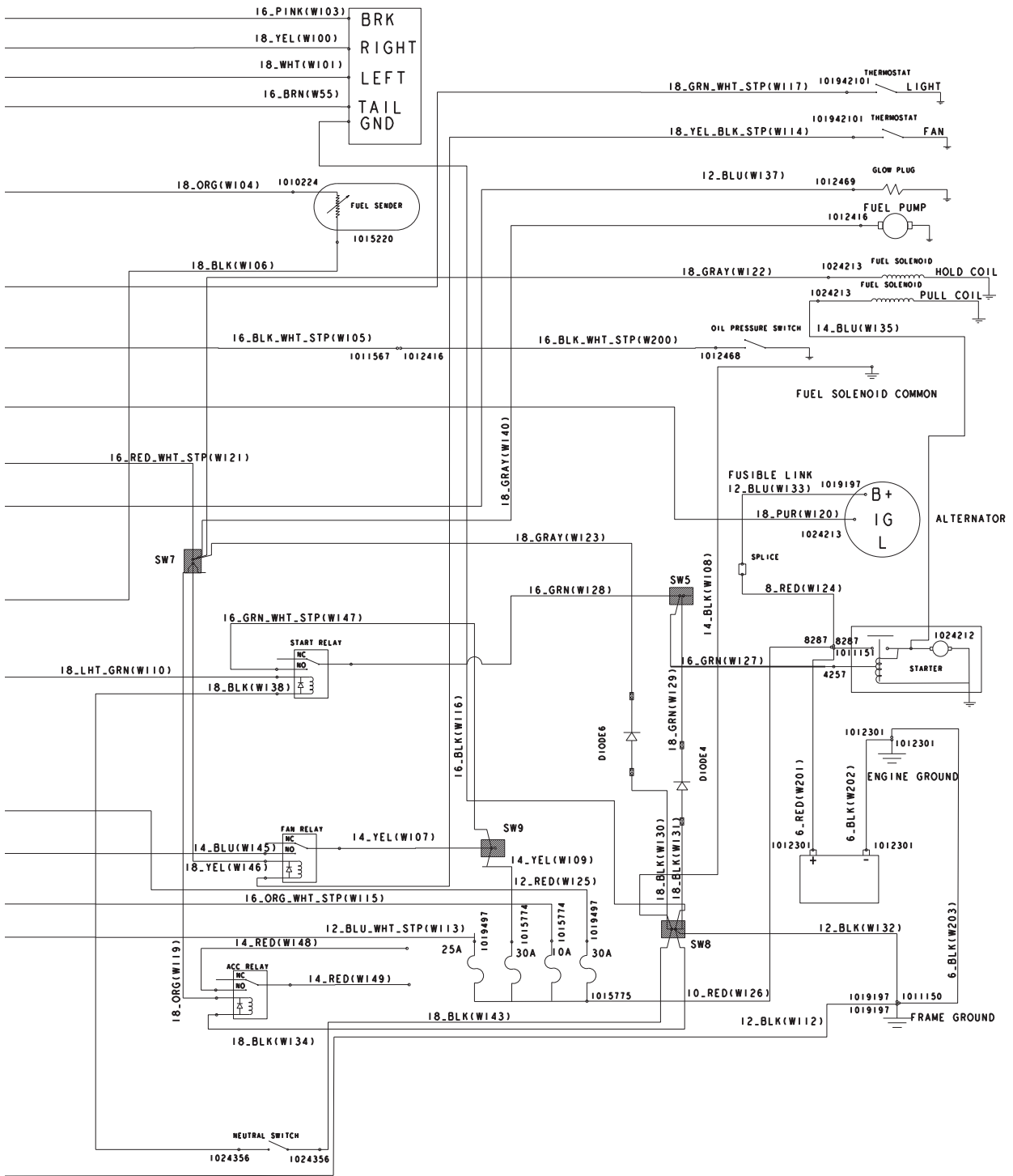
6  
G

DIESEL VEHICLE

D



000662-002



000662-002

**6**

**G**

**D**

See previous two pages for illustration.



## WIRING – DIESEL VEHICLE, SINGLE PIECE

ITEM	PART NO.	DESCRIPTION	QTY
1	102538501	1 2 3 4 Diode, General Purpose, 6.0a .....	1
2	103277501	Harness, Diesel AWD .....	1
3	103327201	Asm, Switch, Limit, Awd .....	1

**6**

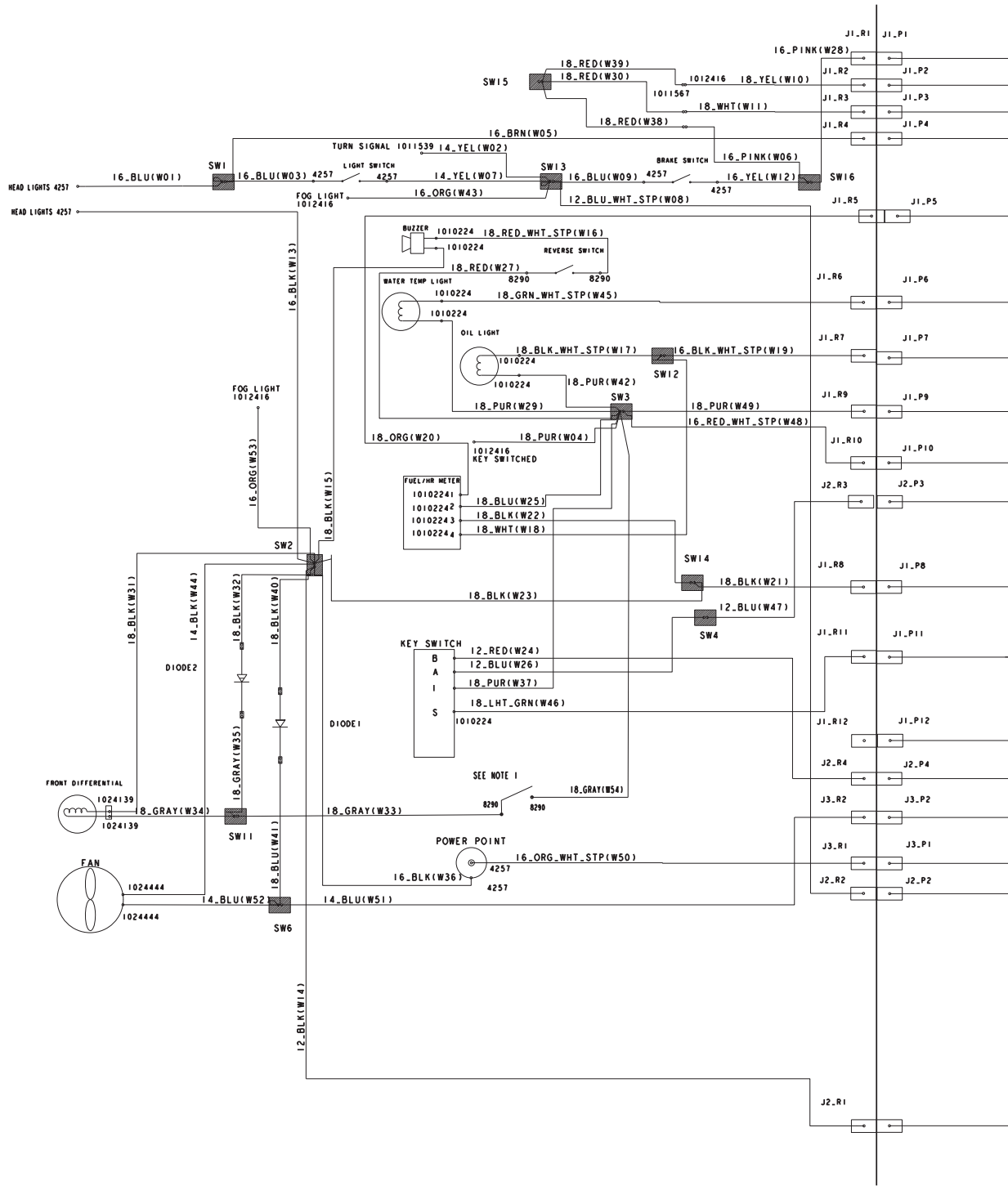
**G**

**D**

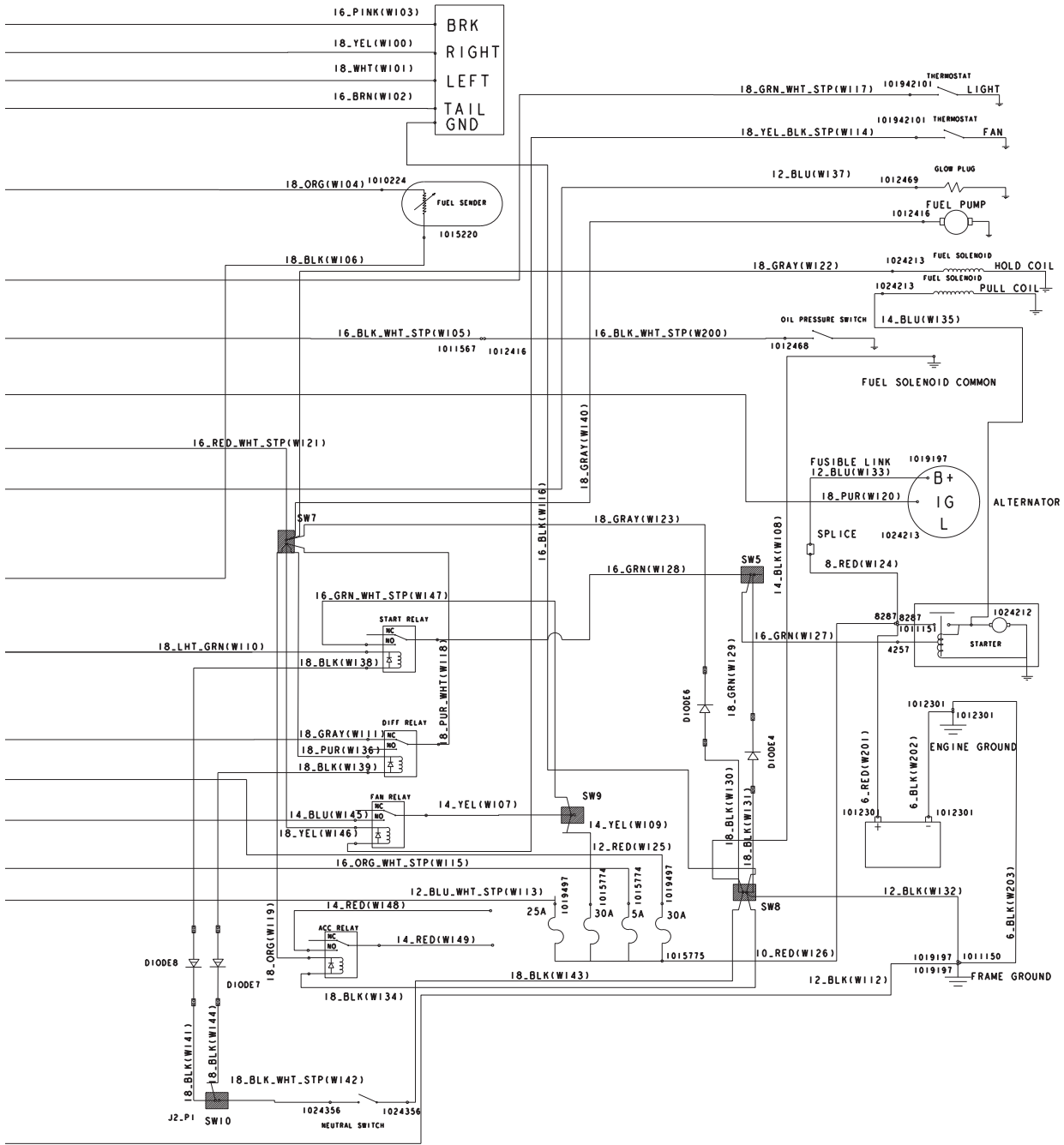
6  
G

# DIESEL VEHICLE

D



000535-002



000535-002

**6**

**G**

**D**

See previous two pages for illustration.

## WIRING – DIESEL VEHICLE, MULTI-PIECE

ITEM	PART NO.	DESCRIPTION	QTY
		<b>1 2 3 4</b>	
1	102986001	Harness, Restyle Diesel, Front .....	1
2	102986101	Harness, Restyle Diesel, Rear .....	1
3	103259301	Asm, Switch, Limit .....	1

**6**

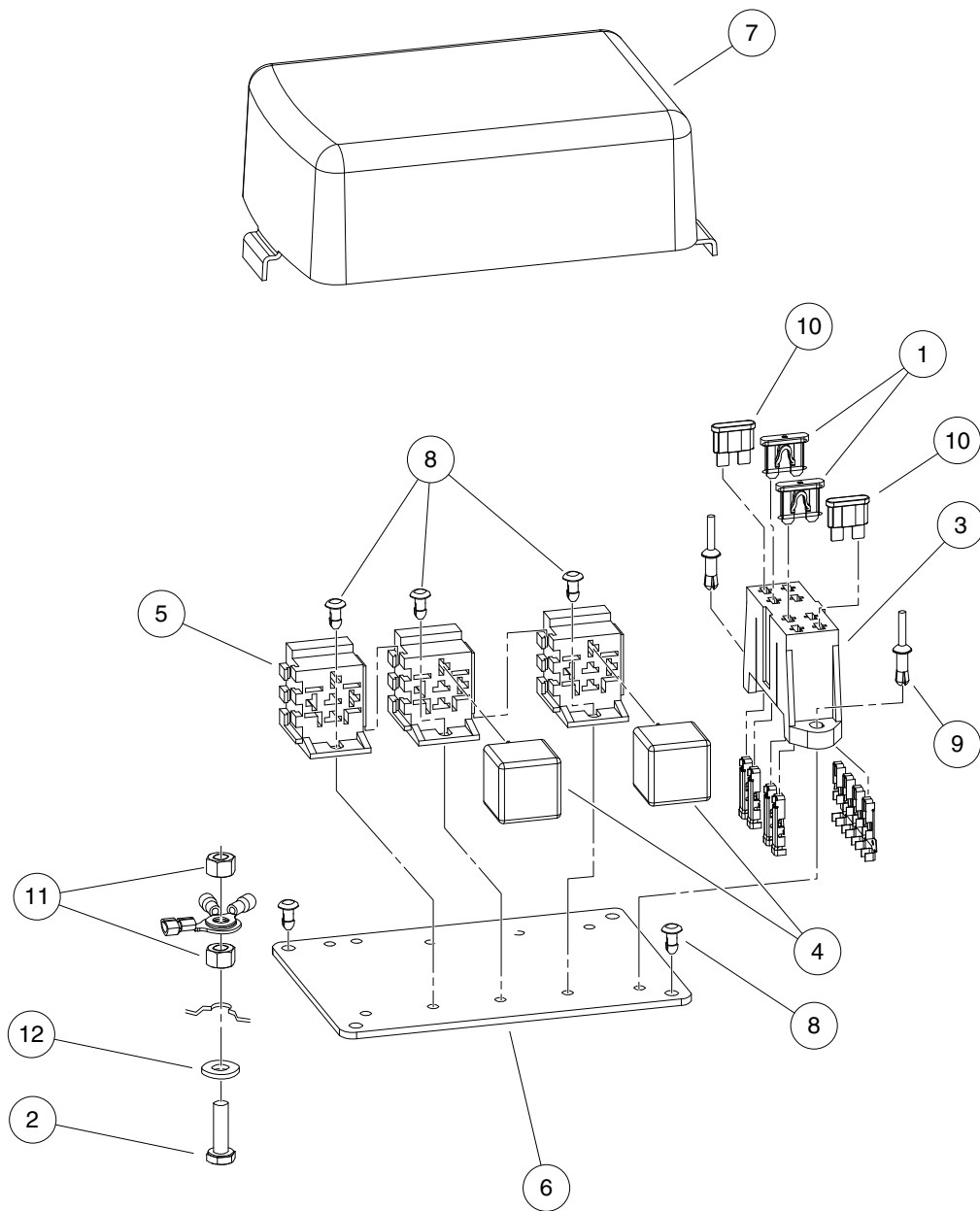
**G**

**D**

6

G

D



000076-001

# ELECTRICAL COMPONENT BOX, GASOLINE VEHICLES

ITEM	PART NO.	DESCRIPTION	QTY
		1 2 3 4	
1	1012295	Fuse, 10-Amp .....	2
2	1015521	Screw, 1/4-20 X .88 Hex Hd Cap .....	1
3	1015741	Fuse Block .....	1
4	102420201	Relay, Mini ISO, SPDT .....	2
5	****	Connector, Relay .....	3
6	102420401	Plate, Electrical .....	1
7	102420501	Cover, Electrical .....	1
8	102447901	Fastener, Push-in .....	7
9	102448001	Rivet, Drive .....	2
10	102492201	Fuse, 25-Amp .....	2
11	1108	Locknut, 1/4-20 Dimpled .....	2
12	332	Washer, 1/4 Type A Narrow Flat .....	1
		**** Special order item available upon request.	

**6**

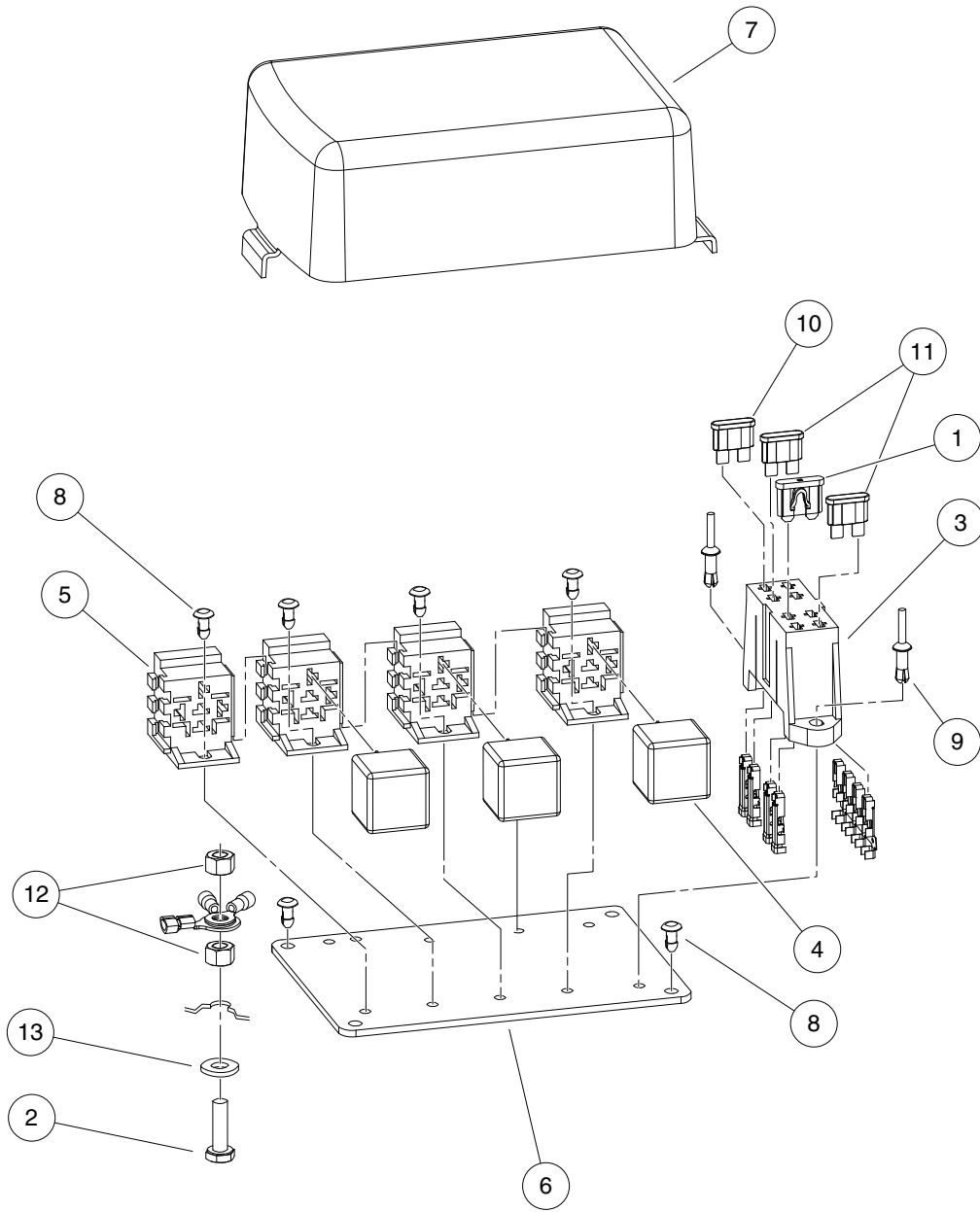
**G**

**D**

6

G

D



000076-002



## ELECTRICAL COMPONENT BOX, DIESEL VEHICLES

ITEM	PART NO.	DESCRIPTION	QTY
		1 2 3 4	
1	1012295	Fuse, 10-Amp .....	1
2	1015521	Screw, 1/4-20 X .88 Hex Hd Cap .....	1
3	1015741	Fuse Block .....	1
4	102420201	Relay, Mini ISO, SPDT .....	3
5	****	Connector, Relay .....	4
6	102420401	Plate, Electrical .....	1
7	102420501	Cover, Electrical .....	1
8	102447901	Fastener, Push-in .....	8
9	102448001	Rivet, Drive .....	2
10	102492201	Fuse, 25-Amp .....	1
11	102492301	Fuse, 30-Amp .....	2
12	1108	Locknut, 1/4-20 Dimpled .....	2
13	332	Washer, 1/4 Type A Narrow Flat .....	1
**** Special order item available upon request.			

6

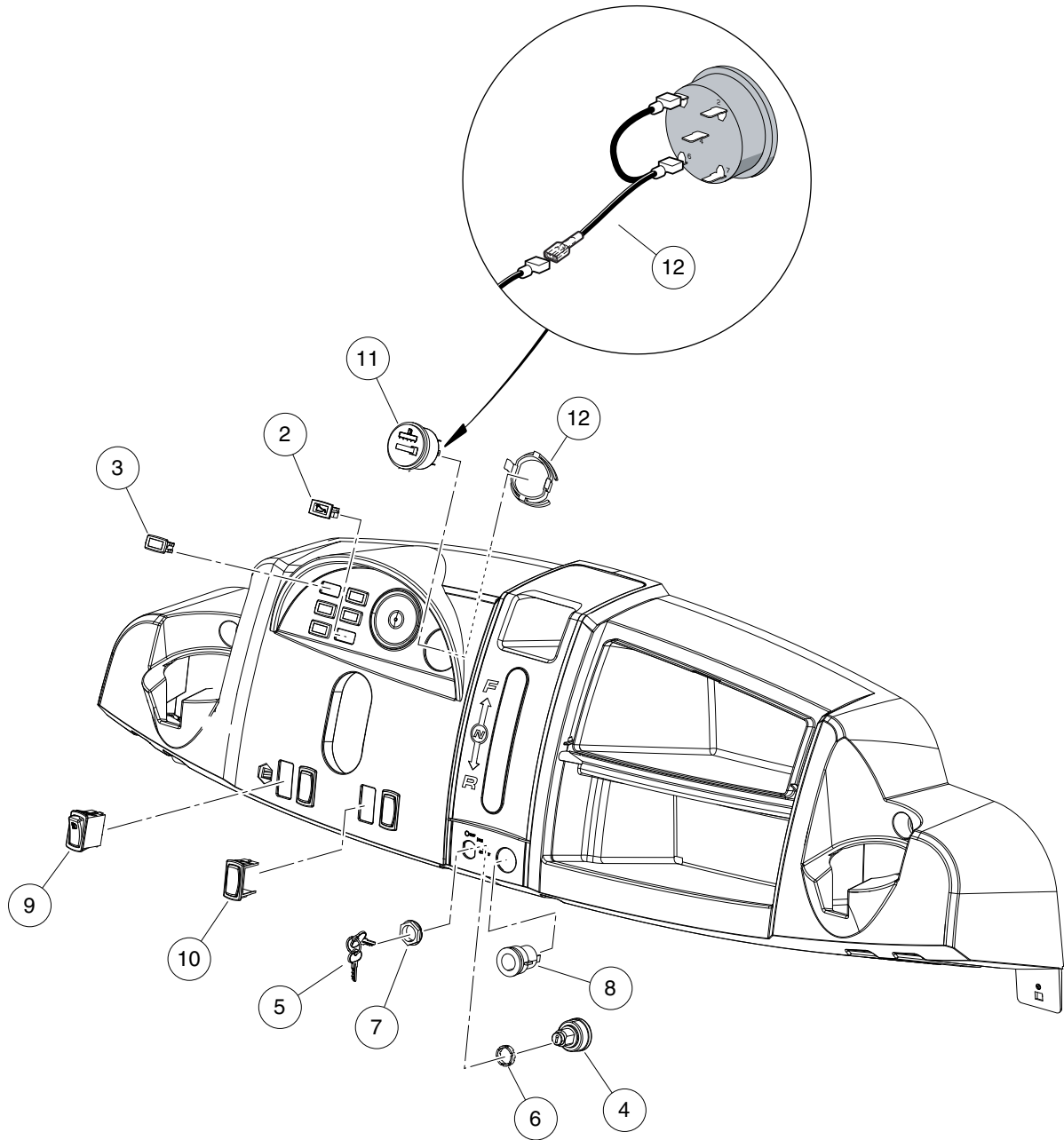
G

D

6

G

D



000543-006

## ELECTRICAL COMPONENTS – GAS

ITEM	PART NO.	DESCRIPTION	QTY
		1 2 3 4	
1	N/A	Instl, Elec Sys Awd Gas Fh680d (includes items 2 through 13) .....	1
2	1016630	Light, Oil .....	1
3	101802601	Plug, Hole .....	5
4	102044702	Key Switch 12v Key Start .....	1
5	102044801	Key Set .....	1
6	102051601	Spacer, Keyswitch .....	1
7	102051701	Nut, Key Switch .....	1
8	102198001	Receptacle, Accessory .....	1
9	102869401	Switch, Rocker, Light .....	1
10	103180101	Cover, Hole, Switch, Rocker .....	3
11	103348101	Gauge Fuel-hour Sep Gnd .....	1
12	103348201	Clip, Meter, Round .....	1
13	103348501	Asm Wire Meter F-h Jumper .....	1

**6**

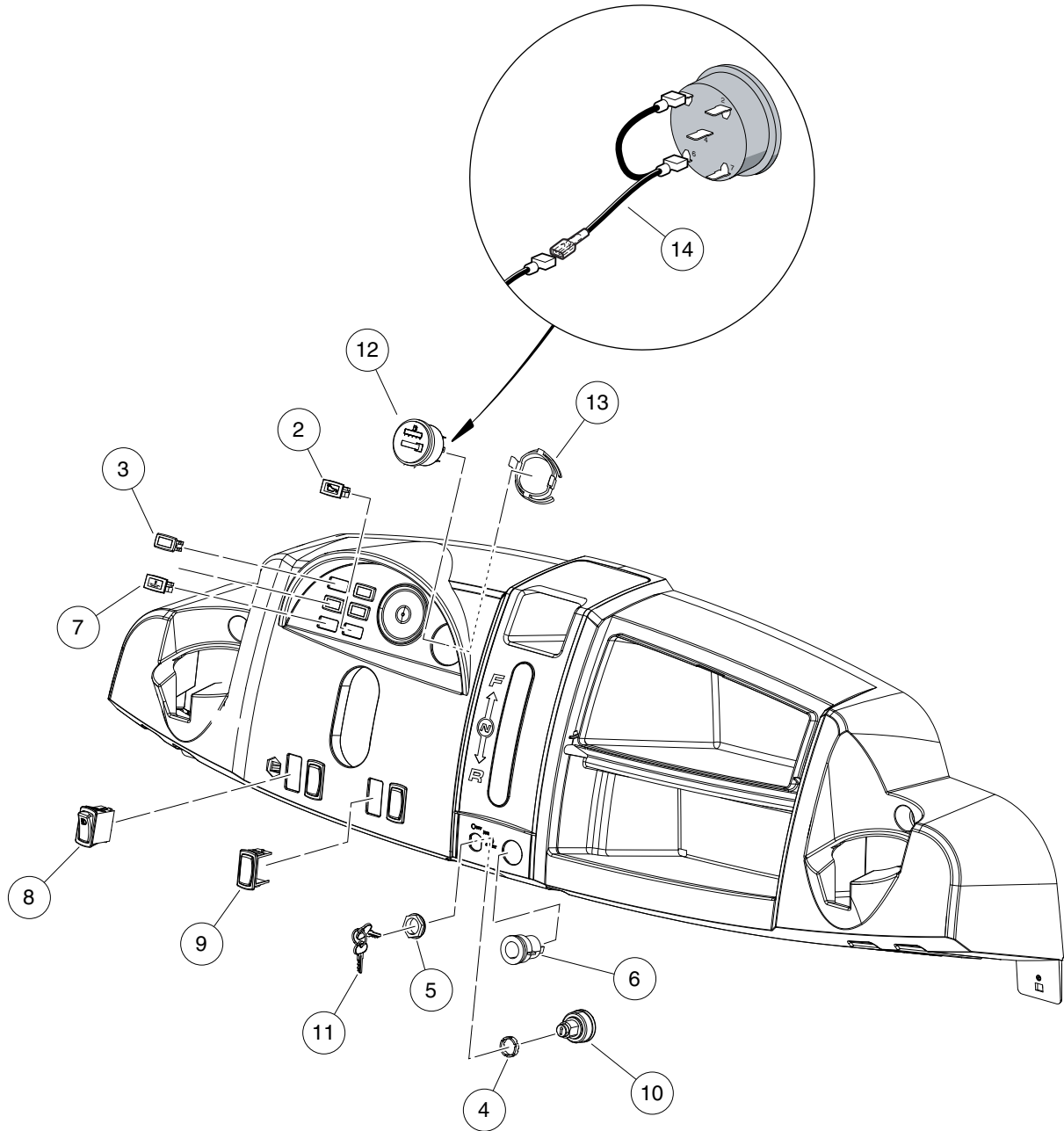
**G**

**D**

6

G

D



000543-002

## ELECTRICAL COMPONENTS – DIESEL

ITEM	PART NO.	DESCRIPTION	QTY
		<b>1 2 3 4</b>	
1	N/A	Instl, Elec Sys, Restyle Diesl (includes items 2 through 14) .....	1
2	1016630	Light, Oil .....	1
3	101802601	Plug, Hole .....	4
4	102051601	Spacer, Keyswitch .....	1
5	102051701	Nut, Key Switch .....	1
6	102198001	Receptacle, Accessory .....	1
7	102375401	Light, Indicator, Coolant Temp .....	1
8	102869401	Switch, Rocker, Light .....	1
9	103180101	Cover, Hole, Switch, Rocker .....	3
10	103208801	Keyswitch, 12v, Diesel .....	1
11	103234401	Keys (set of 2) .....	1
12	103348101	Gauge Fuel-hour Sep Gnd .....	1
13	103348201	Clip, Meter, Round .....	1
14	103348501	Asm Wire Meter F-h Jumper .....	1

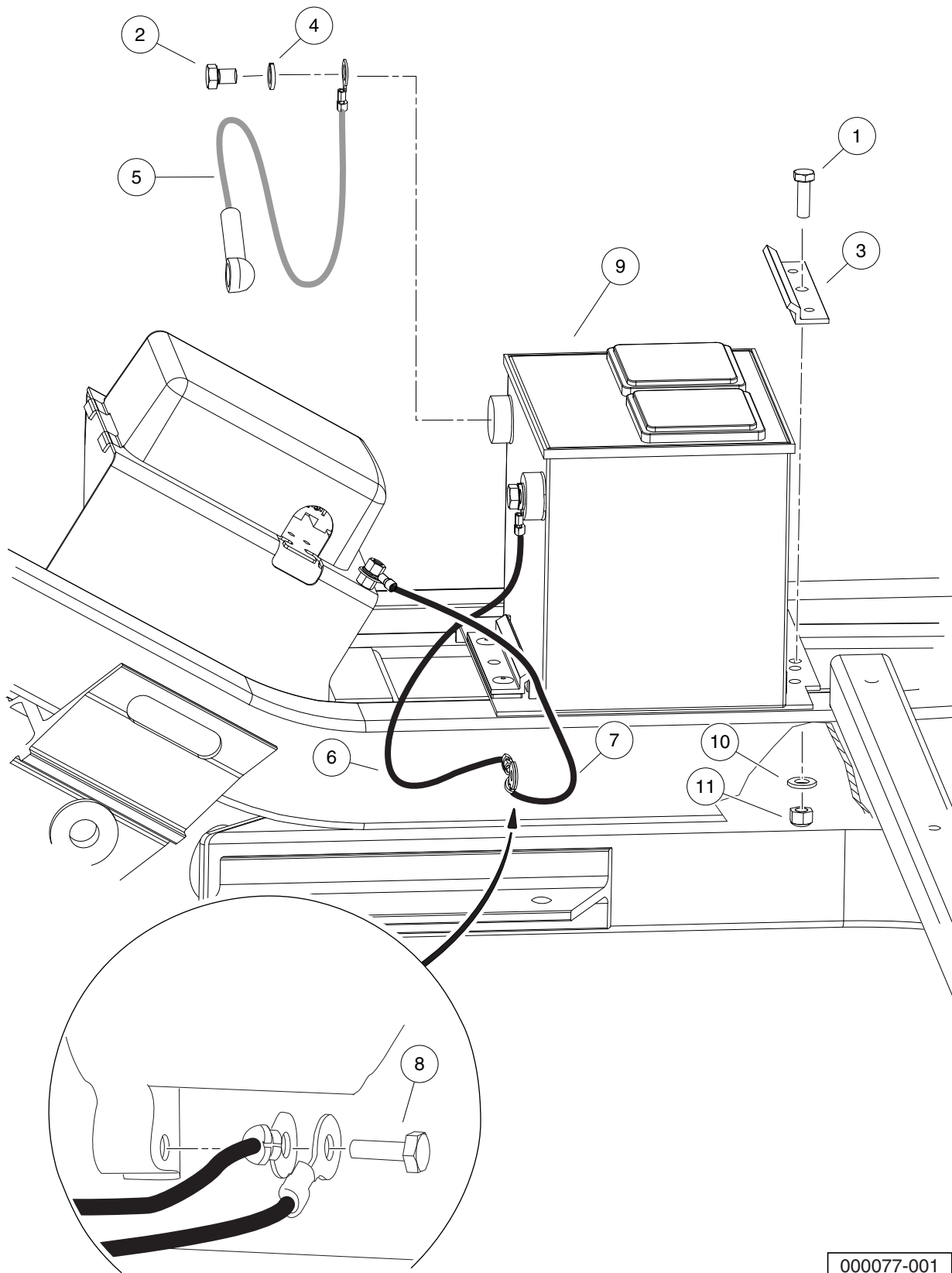
**6**

**G**

**D**

**6**  
**G**

**D**



000077-001

## BATTERY – GASOLINE VEHICLES

ITEM	PART NO.	DESCRIPTION	QTY
		1 2 3 4	
1	1010934	Screw, 5/16-18 X 1.00 Hex Cap .....	1
2	1014375	Screw, 3/8-16 X 0.50 Stainless Steel Hex-Head .....	2
3	101898001	Clamp, Battery .....	1
4	102355301	Lockwasher, #10 Split Ss .....	2
5	102442201	Asm, #6 Red Wire .....	1
6	102442301	Asm, #6 Blk Wire .....	1
7	102442401	Asm, #6 Blk Wire .....	1
8	102490301	Bolt, M6 X 1 X 16 Loctite .....	1
9	N/A	Battery, Start, 12v .....	1
10	1241	Washer, 5/16 Type A Flat .....	1
11	7473	Locknut, 5/16-18 Nylon Insert .....	1

**6**

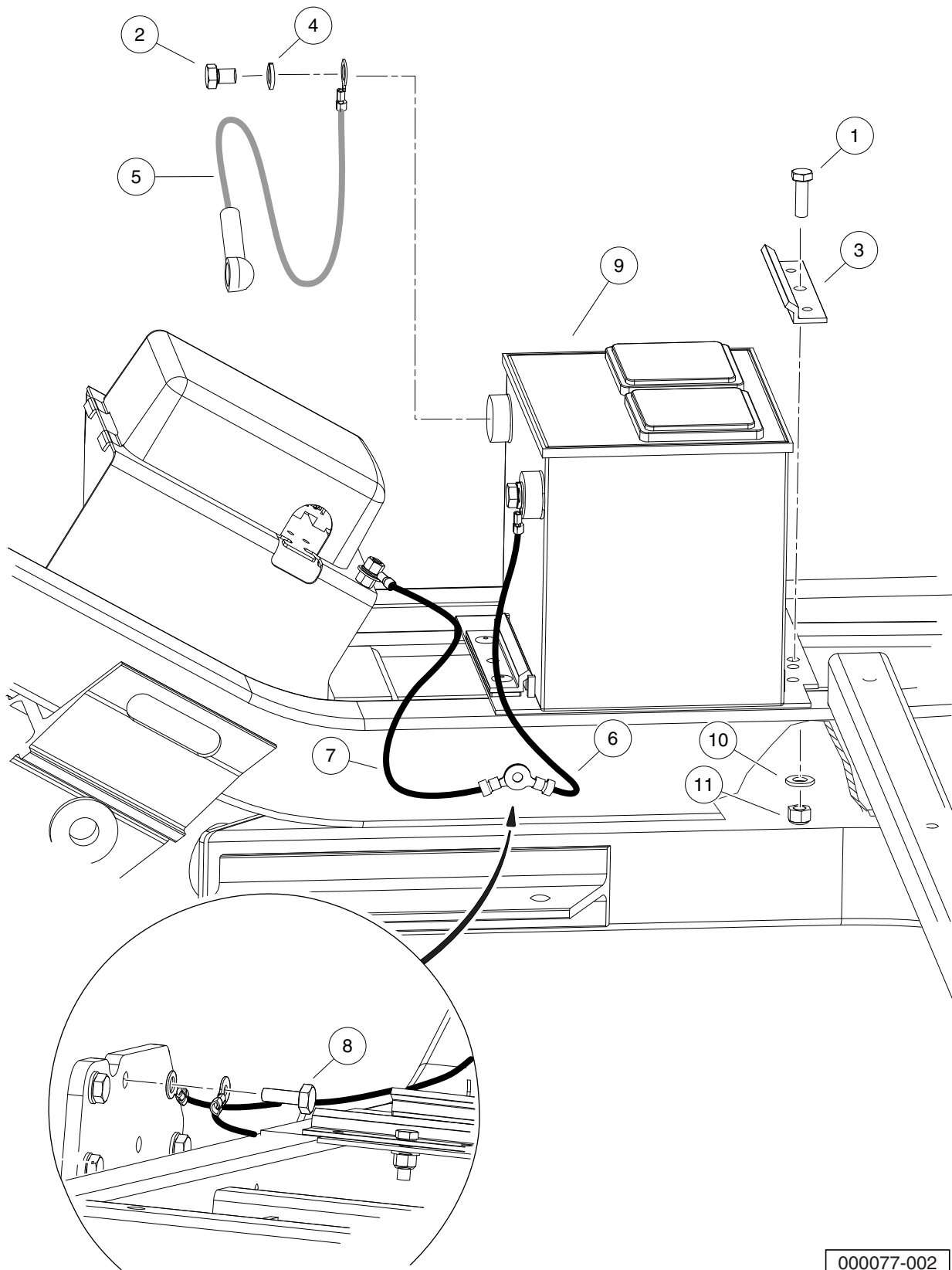
**G**

**D**

**6**

**G**

**D**



000077-002



## BATTERY – DIESEL VEHICLES

ITEM	PART NO.	DESCRIPTION	QTY
		1 2 3 4	
1	1010934	Screw, 5/16-18 X 1.00 Hex Cap .....	1
2	1014375	Screw, 3/8-16 X 0.50 Stainless Steel Hex-Head .....	2
3	101898001	Clamp, Battery .....	1
4	102355301	Lockwasher, #10 Split Ss .....	2
5	102442201	Asm, #6 Red Wire .....	1
6	102448401	Wire Asm, #6 Blk, Awd, 350 .....	1
7	102448501	Wire Asm, #6 Blk, Awd, 325 .....	1
8	102498201	Bolt, M10 X 1.25 X 25 Loctite .....	1
9	N/A	Battery, Start, 12v .....	1
10	1241	Washer, 5/16 Type A Flat .....	1
11	7473	Locknut, 5/16-18 Nylon Insert .....	1

**6**

**G**

**D**

**6**

**G**

**D**

# DIESEL ENGINE – CLOSED BREATHER

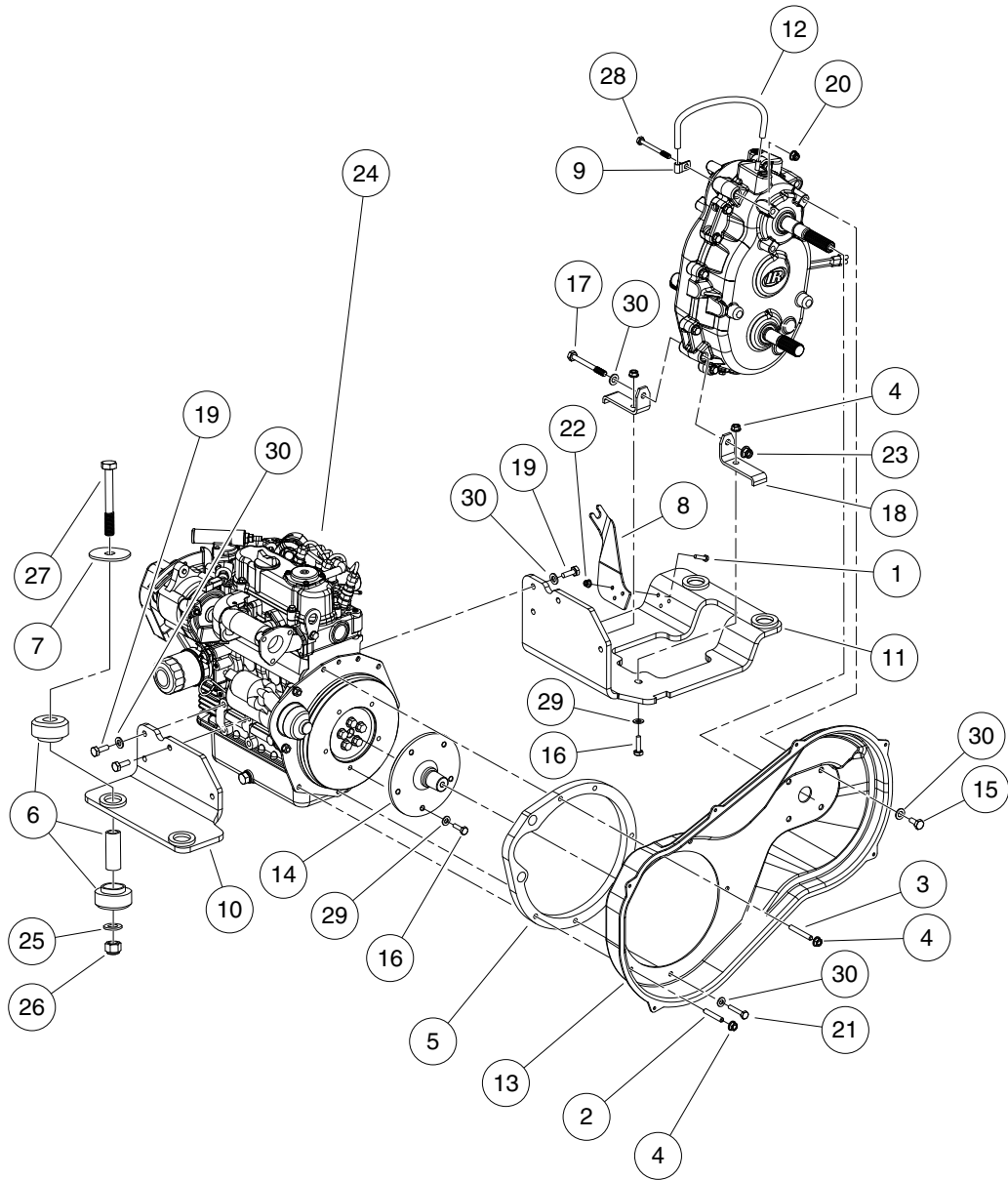
---

7

D

7

D



000025-002

# KUBOTA D722 DIESEL ENGINE MOUNTING

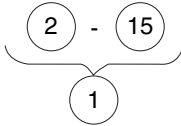
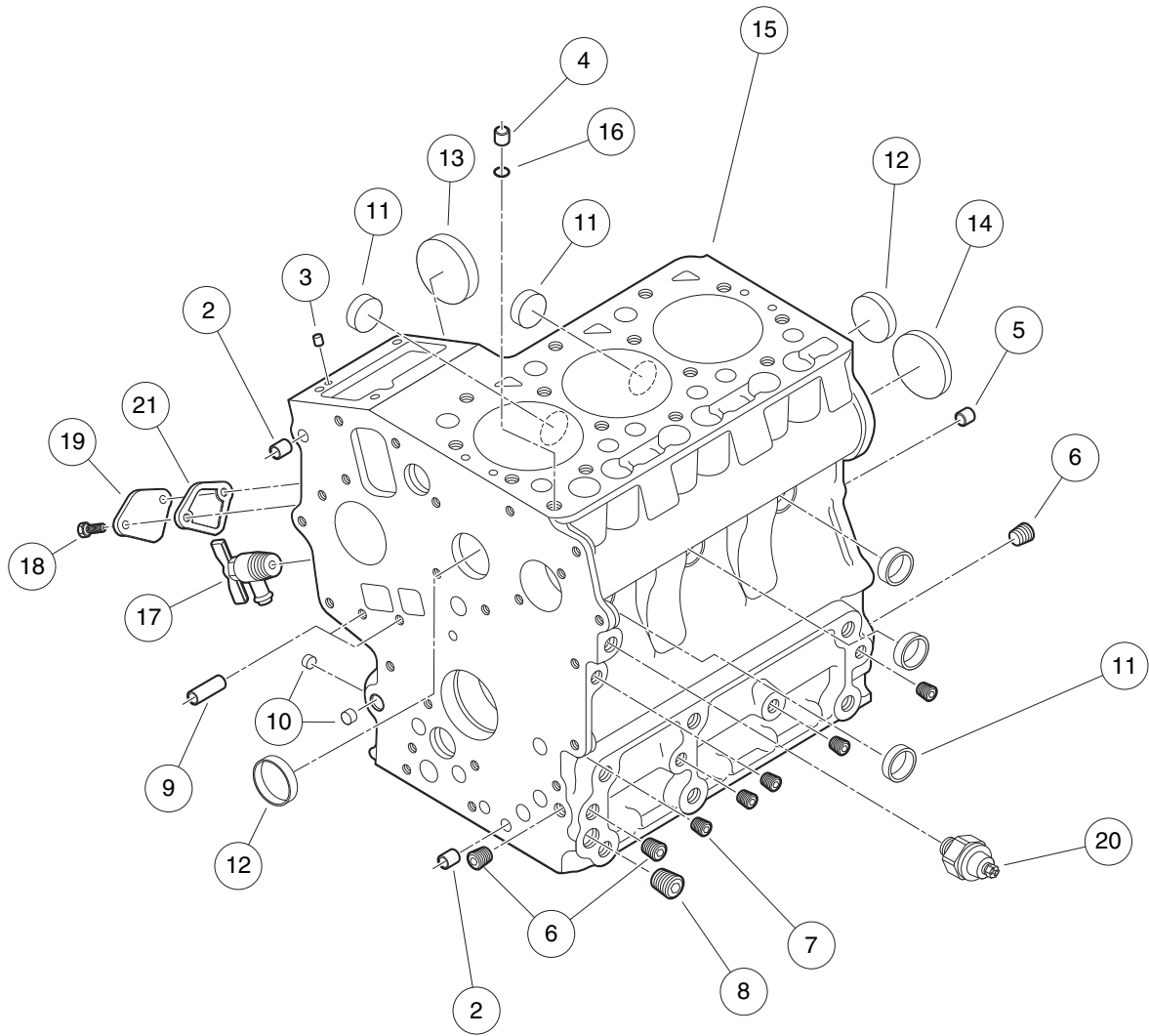
ITEM	PART NO.	DESCRIPTION	QTY
		<b>1 2 3 4</b>	
1	1012769	Screw, M6-1.00 X 25mm Hex Cap .....	3
2	101833101	Stud, M8-1.25 X 50 mm Two-Ended .....	1
3	101833201	Stud, M8-1.25 X 60mm Two-Ended .....	1
4	102298401	Nut,m8,all Metal Lock .....	7
5	102370101	Spacer, Engine, Diesel .....	1
6	102370501	Isolator Ring and Bushing .....	4
7	102370601	Washer, Snubbing, Ring N Bush .....	4
8	102382401	Bracket, FNR Trans Cable .....	1
9	102410603	P-Clamp, Insulated .312 In .....	1
10	102414701	Plate, Engine Mounting, Weld, Left-Hand .....	1
11	102414801	Plate, Engine Mounting, Weld, Right-Hand .....	1
12	102462301	Hose, Vent, Transmission .....	1
13	102462501	Cover, CVT Inner, Diesel .....	1
14	102465901	Shaft, CVT Adapter .....	1
15	102490101	Bolt, M10 X 1.5 X 20 Loctite .....	4
16	102490201	Bolt, M8 X 1.25 X 25 Loctite .....	7
17	102490501	Bolt, M10 X 1.5 X 100 Loctite .....	1
18	102494401	Bracket, Transmission Mounting .....	2
19	102498201	Bolt, M10 X 1.25 X 25 Loctite .....	8
20	102618601	Lock Nut, Flg M8 X 1.25 Nylon .....	1
21	102621301	Bolt, M8 X 1.25 X 40 with Loctite .....	3
22	102621501	Nut Flg, M6 X 1.0 Nylon .....	3
23	102670701	Nut Flg M10 X 1.5 Nylon .....	1
24	102934601	Engine, Kubota, D722, with Closed Breather, 60a .....	1
25	96701412	Washer, M12 Hard .....	4
26	96704622	Locknut, M12x1.75 Nylon Insert .....	4
27	96704721	Bolt, M12 X 1.75 X 90 .....	4
28	96718978	Bolt, M8 X 1.25 X 80 .....	1
29	96741038	Washer, M8 Hard .....	10
30	96741046	Washer, M10 Hard .....	12

**7**

**D**

7

D



000039-001

# CRANKCASE

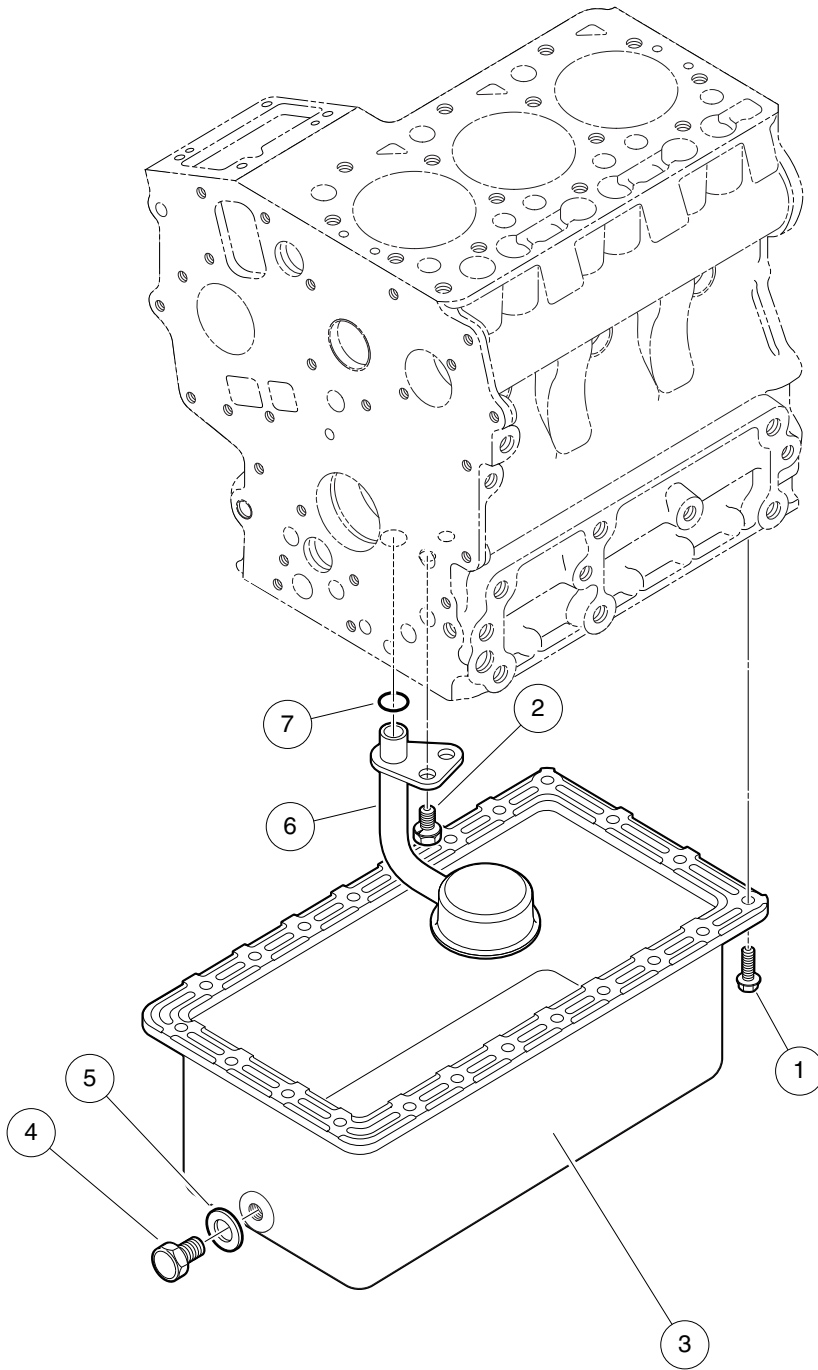
**7**

**D**

ITEM	PART NO.	DESCRIPTION	QTY
		<b>1 2 3 4</b>	
1	102600001	Engine Block (includes items 2 through 15) .....	1
2	102600101	Pin, Pipe, Dia 8 X 14 .....	2
3	102600201	Pin, Straight, Dia 5 X 10 .....	2
4	102600401	Pin, Pipe, Dia 7 X 14 .....	1
5	102600601	Pin, Straight, Dia 8 X 16 .....	2
6	102600701	Plug, 1/8" .....	3
7	102600801	Plug, 3/32" .....	5
8	102601001	Plug, 1/4" .....	1
9	102601301	Pin, Pipe, Dia 8 X 11 .....	2
10	102726201	Cap, Sealing, Small .....	3
11	102726301	Cap, Sealing, Med .....	5
12	102726401	Cap, Sealing, Large .....	2
13	102726501	Cover, Fuel Camshaft .....	1
14	102726601	Plug, Expansion .....	1
15	N/A	Block, Engine .....	1
16	102600301	O Ring, 8 X 7 .....	1
17	102601401	Cock, Drain .....	1
18	102631601	Bolt, M6 X 1 X 20 .....	2
19	N/A	Plate, Engine Block .....	1
20	102730801	Switch, Oil Pressure .....	1
21	102732601	Gasket, Fuel Pump, D722 .....	1

7

D



000040-001



# OIL PAN

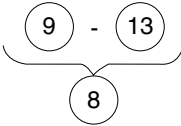
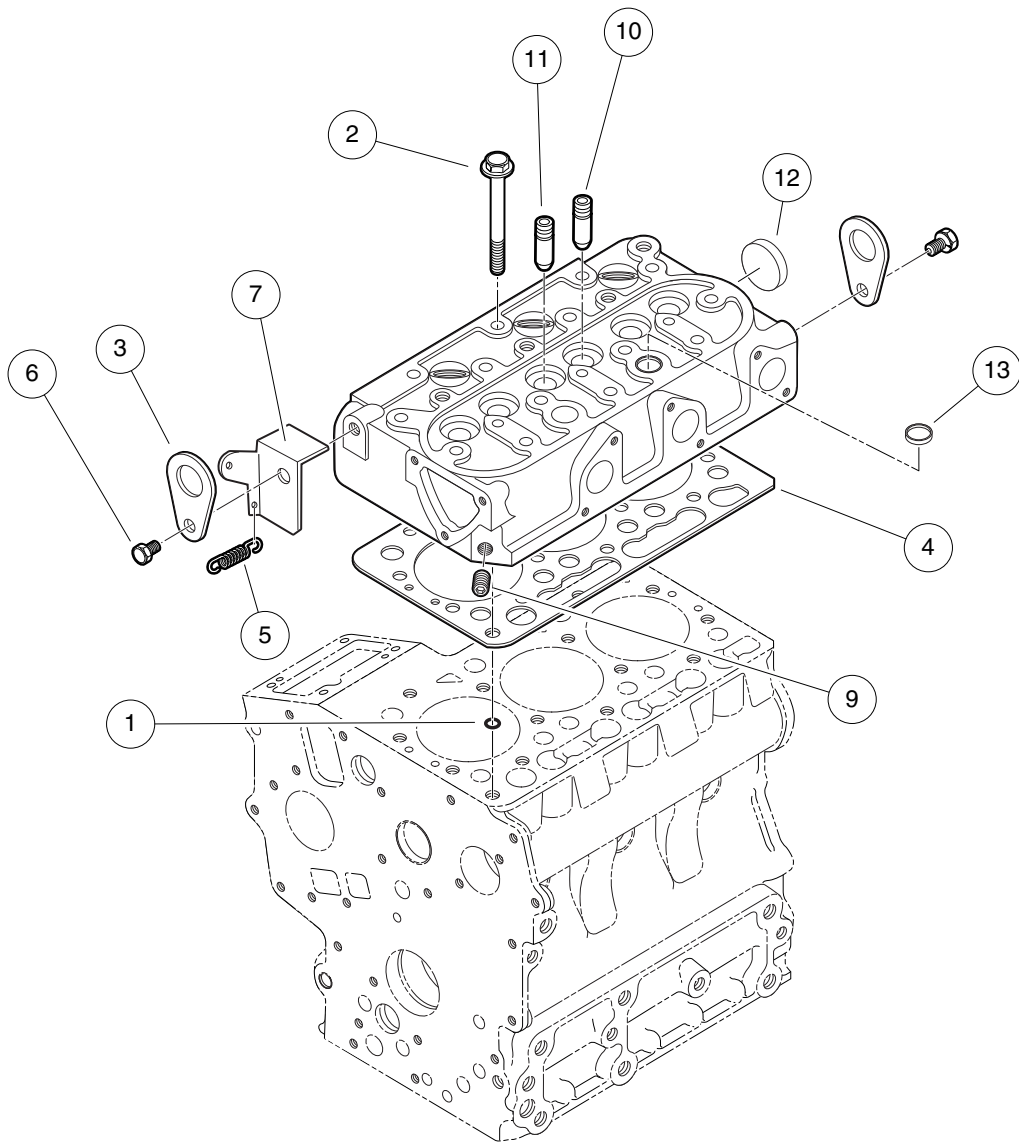
ITEM	PART NO.	DESCRIPTION	QTY
		<b>1 2 3 4</b>	
1	102605101	Bolt, M6 X 1 X 14 .....	22
2	102606901	Bolt, M8 X 1.25 X 15 .....	1
3	102607001	Oil Pan .....	1
4	102607201	Plug, Drain, M12 X 14 .....	1
5	102607301	Gasket, 20 X 13 .....	1
6	102607401	Filter, Oil, Pick Up .....	1
7	102654601	O Ring, 20 X 17 .....	1

**7**

**D**

7

D



000041-002

# CYLINDER HEAD

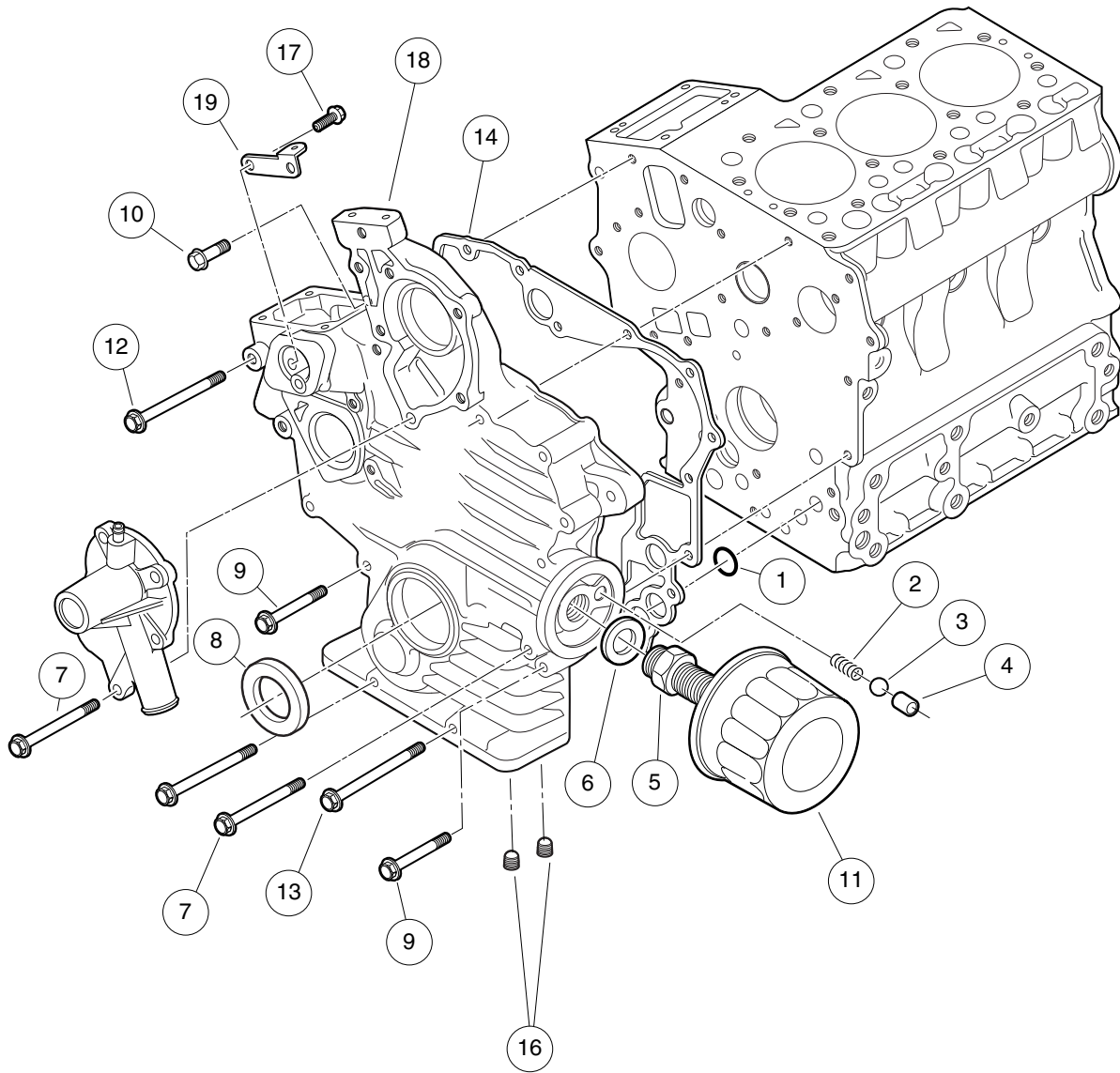
ITEM	PART NO.	DESCRIPTION	QTY
		<b>1 2 3 4</b>	
1	102600301	O Ring, 8 X 7 .....	1
2	102652801	Bolt, Cylinder Head .....	14
3	102653901	Hook, Engine .....	2
4	102654101	Gasket, Cylinder Head .....	1
5	102701001	Spring, Start .....	1
6	102726701	Bolt, Engine Hook .....	2
7	102727101	Stay, Cylinder Head .....	1
8	102798001	Head, Cylinder, Complete (includes items 9 through 13) .....	1
9	102600801	Plug, 3/32" .....	1
10	102653401	Guide, Exhaust Valve .....	3
11	102653501	Guide, Inlet Valve .....	3
12	102726901	Cap, Sealing, Head .....	1
13	102727001	Cap, Sealing, Head, Top .....	2

**7**

**D**

7

D



000042-002

# GEAR CASE

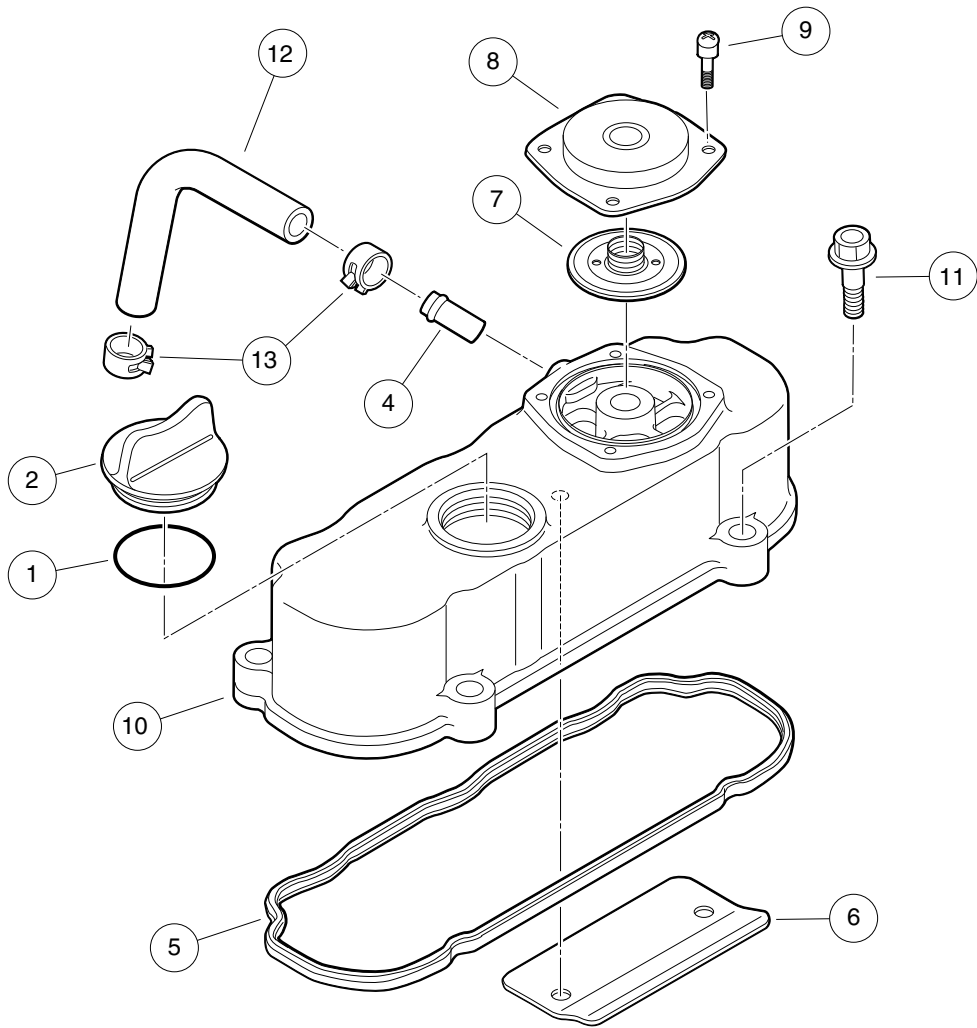
7

D

ITEM	PART NO.	DESCRIPTION	QTY
		<b>1 2 3 4</b>	
1	102601801	O Ring, 18 X 13 .....	3
2	102601901	Spring, Valve .....	1
3	102602001	Ball, Valve .....	1
4	102602101	Seat, Valve .....	1
5	102602301	Joint, Pipe .....	1
6	102602401	Washer, Plain, Special .....	1
7	102602601	Bolt, M6 X 1 X 60 .....	2
8	102602701	Seal, Oil .....	1
9	102602801	Bolt, D722, Front Case .....	9
10	102654301	Bolt, D722 Intake Manfld Lower .....	1
11	102703301	Filter, Engine Oil, D722 .....	1
12	102727401	Bolt, Gearcase, Top .....	2
13	102727501	Bolt, Gearcase, Lower .....	1
14	102729301	Gasket, Gearcase, D722 .....	1
15	N/A	Case, Gear (includes items 16 through 19) .....	1
16	102601001	Plug, 1/4" .....	2
17	102727601	Screw, Breather .....	2
18	N/A	Case, Gear .....	1
19	102798201	Stay, Spring .....	1

7

D



000181-001

# HEAD COVER

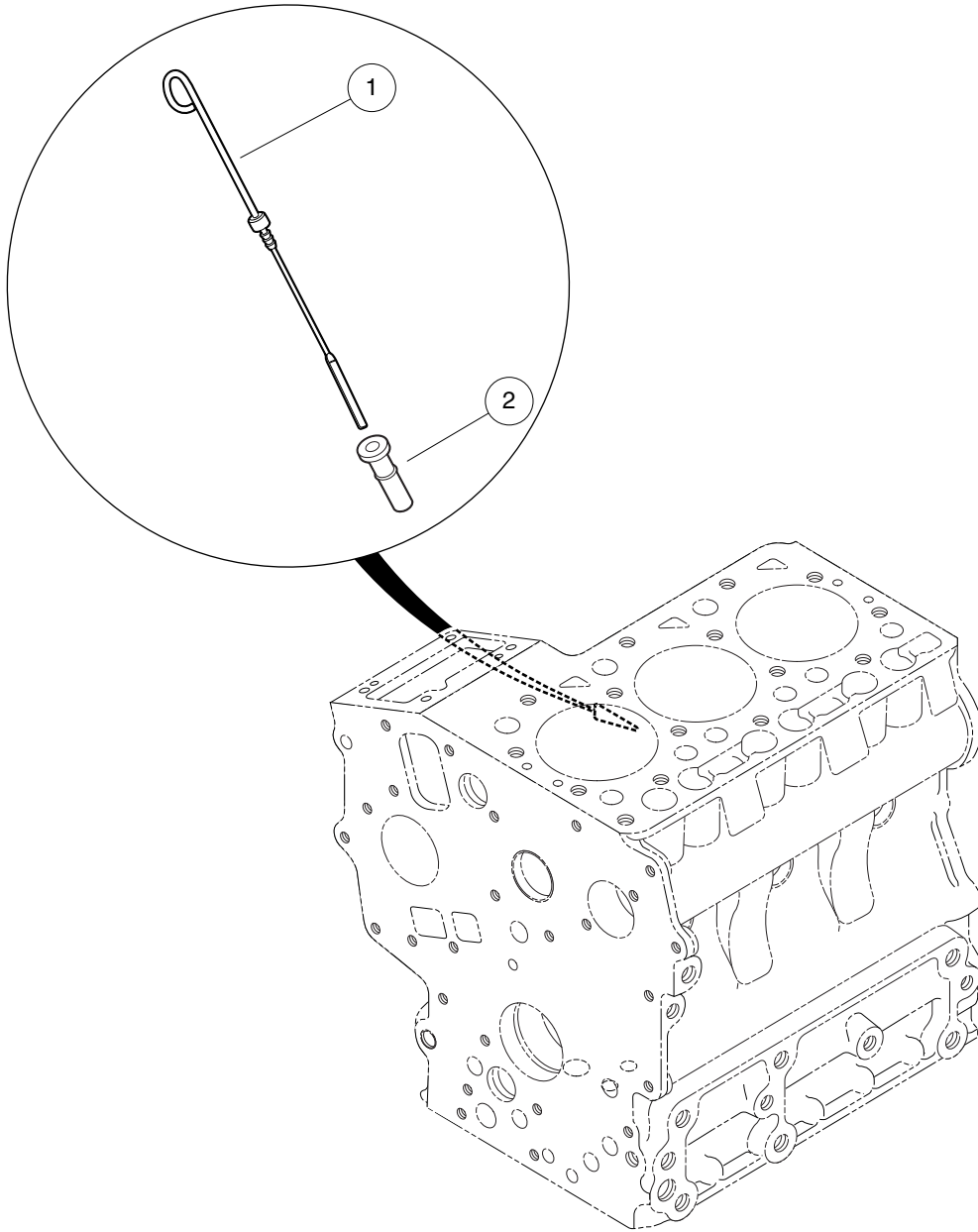
ITEM	PART NO.	DESCRIPTION	QTY
		<b>1 2 3 4</b>	
1	102644001	O Ring, 30 X 36 .....	1
2	102644101	Plug, Oil Filler .....	1
3	102798401	Assembly, Cylinder Head Cover (includes items 4 through 10) .....	1
4	102633301	Pipe, Water Return, D722 .....	1
5	102798501	Gasket, Cylinder Head Cover .....	1
6	102798601	Shield, Breather .....	1
7	102799001	Valve, Breather .....	1
8	102799101	Cover, Breather .....	1
9	102799201	Screw, Breather .....	4
10	N/A	Cover, Cylinder Head .....	1
11	102798701	Bolt, Cylinder Head Cover .....	4
12	102798801	Tube, Breather .....	1
13	102798901	Clamp, Breather Tube .....	2

**7**

**D**

7

D



000044-002



# DIPSTICK AND GUIDE

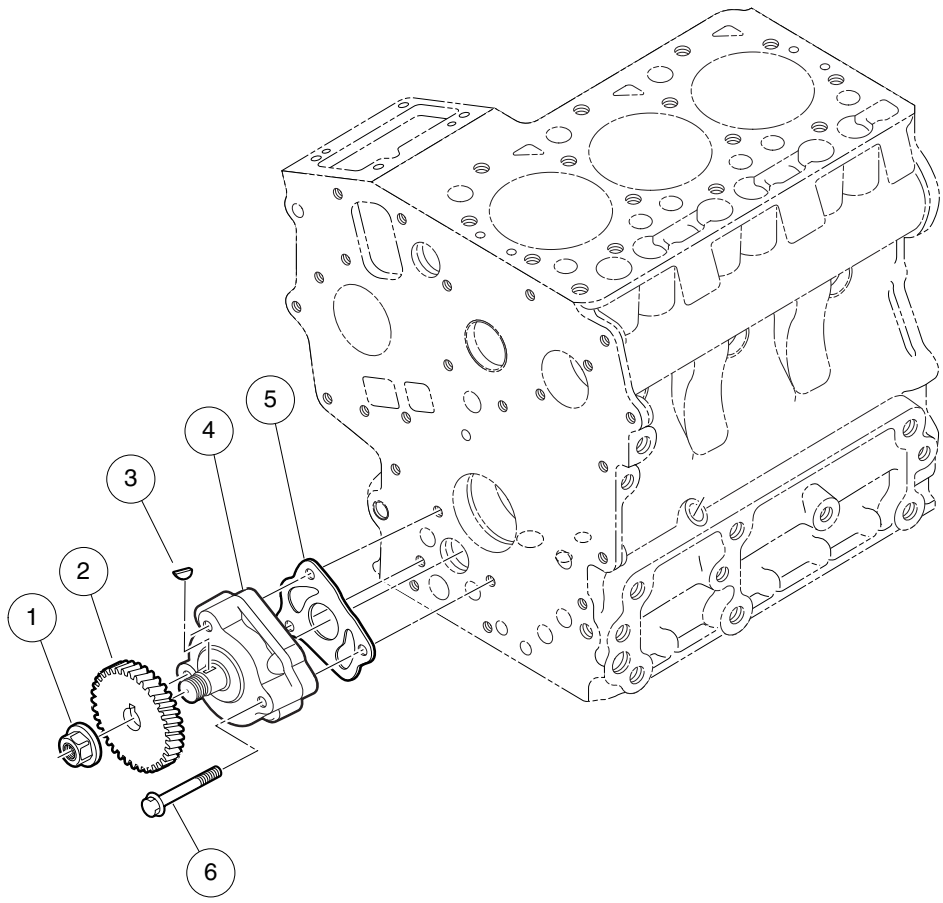
ITEM	PART NO.	DESCRIPTION	QTY
1	102606701	1 2 3 4 Gauge, Oil .....	1
2	102727701	Guide, Oil Gauge .....	1

**7**

**D**

7

D



000045-001

# OIL PUMP

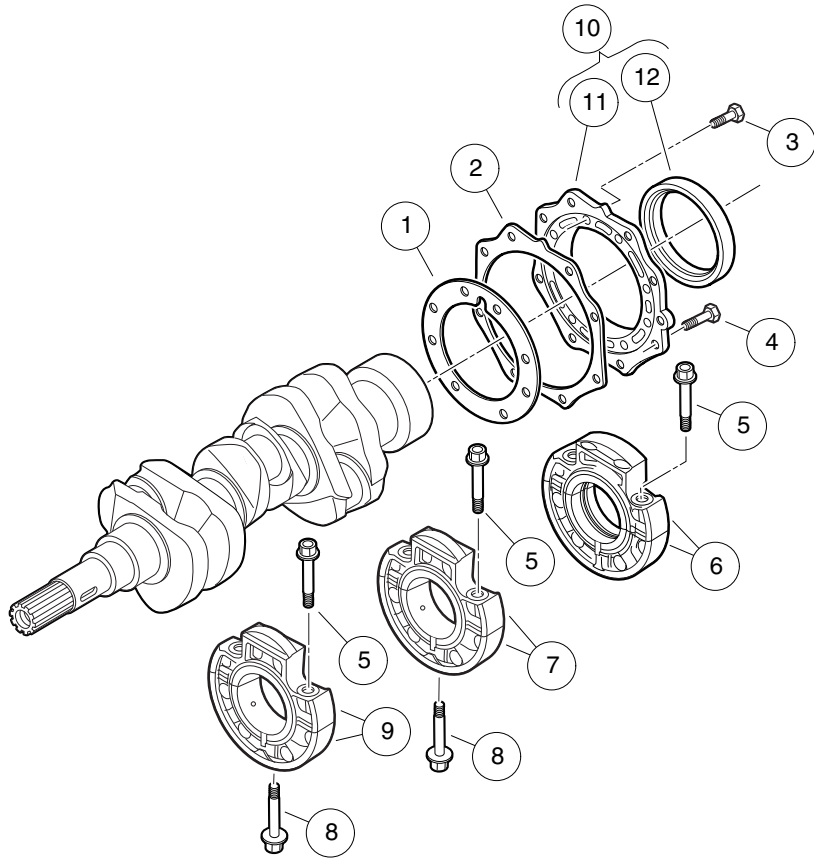
ITEM	PART NO.	DESCRIPTION	QTY
		<b>1 2 3 4</b>	
1	102606201	Nut, Flange, D722 Oil Pump .....	1
2	102606301	Gear, Oil Pump Drive .....	1
3	102606401	Key, Feather, 8x4 .....	1
4	102606501	Assy, Pump, Oil .....	1
5	102606601	Gasket, Oil Pump .....	1
6	102727901	Bolt, Oil Pump .....	3

**7**

**D**

7

D



000046-001

# MAIN BEARING CASE

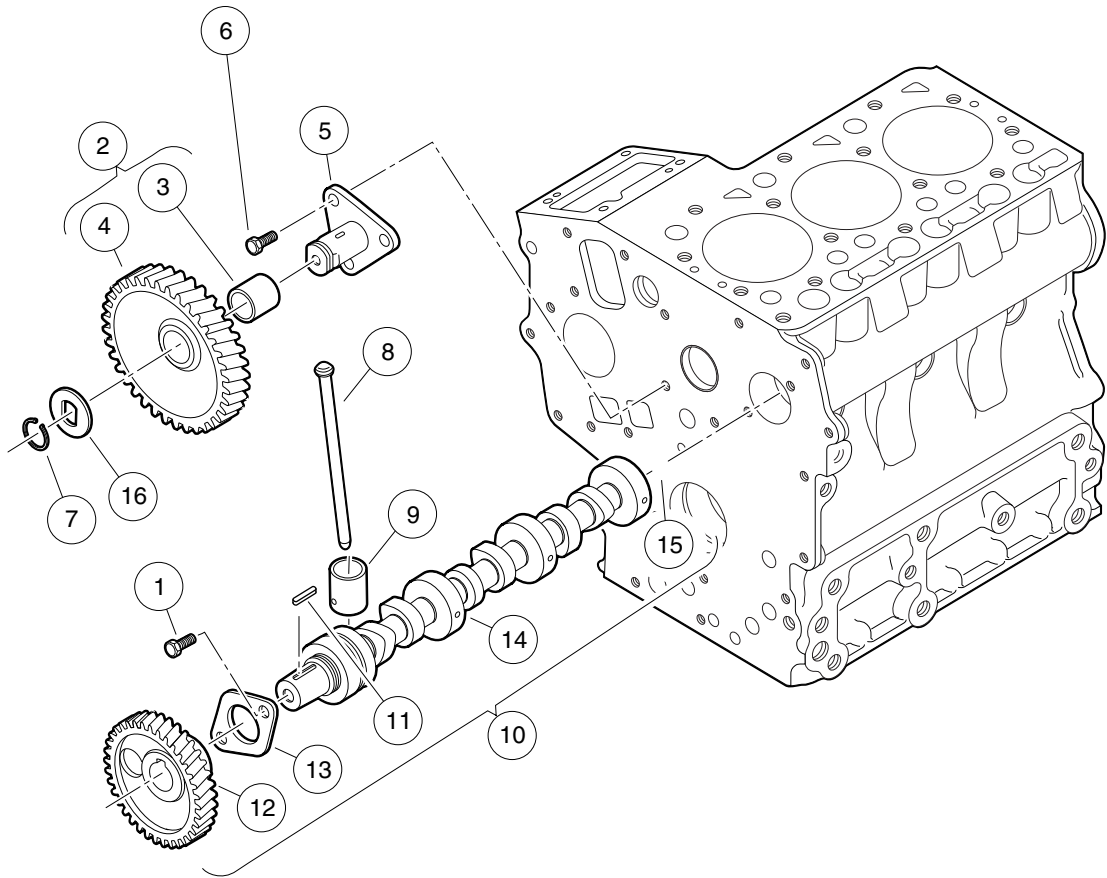
ITEM	PART NO.	DESCRIPTION	QTY
		<b>1 2 3 4</b>	
1	102608201	Gasket, Bearing Case .....	1
2	102608301	Gasket, Cover .....	1
3	102608601	Bolt, M6 X 1 X 20 .....	8
4	102608701	Bolt, M6 X 1 X 22 .....	8
5	102608901	Bolt, Bearing Case, Top .....	6
6	102609101	Assy Case, Main Brg, First .....	1
7	102609301	Assy Case, Main Brg, Sec .....	1
8	102609401	Bolt, Bearing Case, Bottom .....	2
9	102609601	Assy Case, Main Brg, Third .....	1
10	102728001	Assy, Cover, Bearing Case (includes items 11 and 12) .....	1
11	102608401	Cover, Bearing Case .....	1
12	102608501	Seal, Oil .....	1

7

D

7

D



000047-002

# CAMSHAFT AND IDLE GEAR

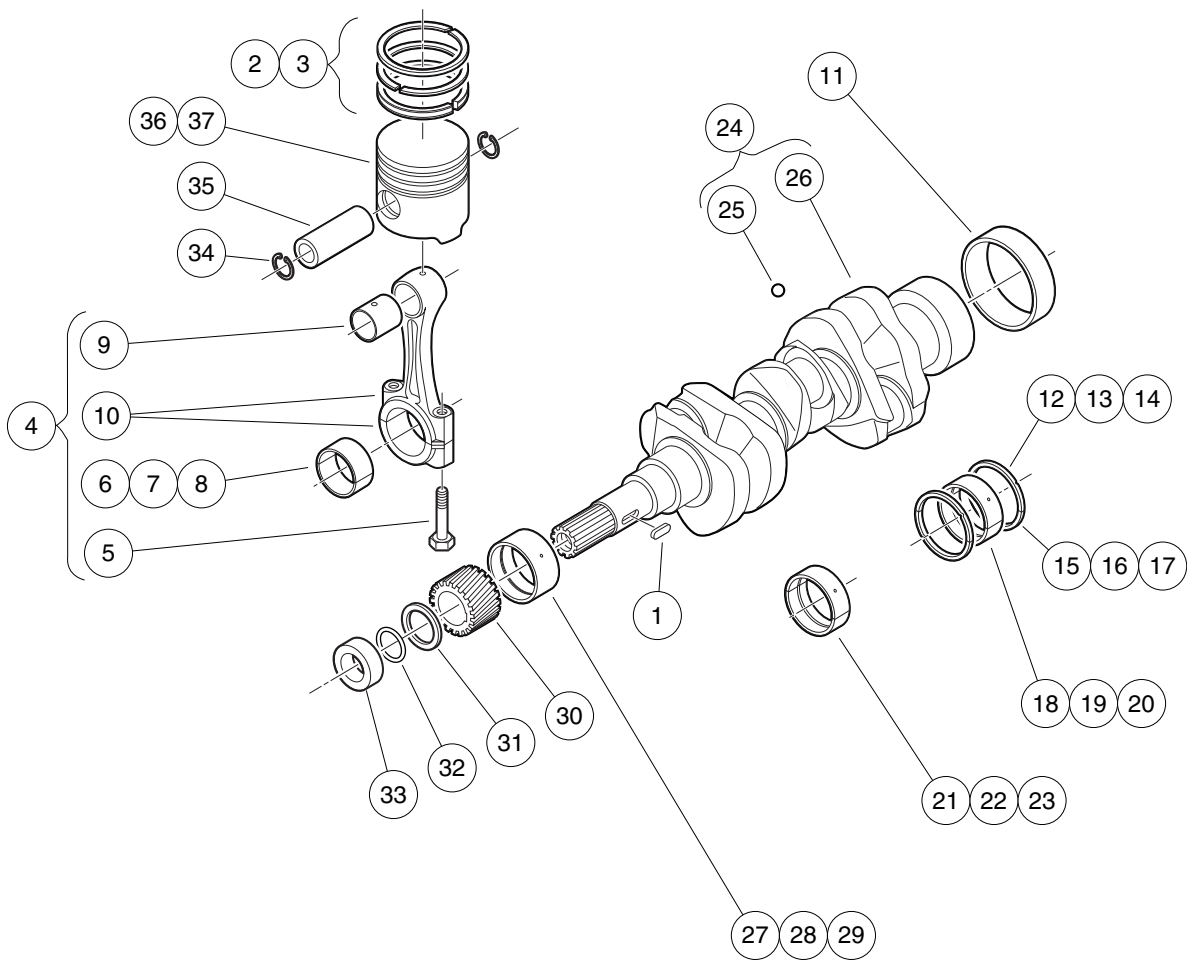
ITEM	PART NO.	DESCRIPTION	QTY
		<b>1 2 3 4</b>	
1	102604201	Bolt, D722, Cam End .....	2
2	102604901	Gear, Idle (includes items 3 and 4) .....	1
3	102603201	Bushing, D722 Idle Gear .....	1
4	N/A	Gear, Idle .....	1
5	102605001	Shaft, Idle Gear .....	1
6	102605101	Bolt, M6 X 1 X 14 .....	3
7	102605301	Ring, Snap .....	1
8	102605401	Push Rod .....	6
9	102605501	Tappet .....	6
10	102605801	Assy Camshaft, Long (includes items 11 through 15) .....	1
11	102605601	Key, Feather, Long Camshaft .....	1
12	102605901	Gear, Cam .....	1
13	102606001	Stopper, Camshaft .....	1
14	N/A	Camshaft .....	1
15	102799401	Ball, Check .....	1
16	102654401	Collar, Idle Gear .....	1

**7**

**D**

7

D



000048-002



# PISTON AND CRANKSHAFT

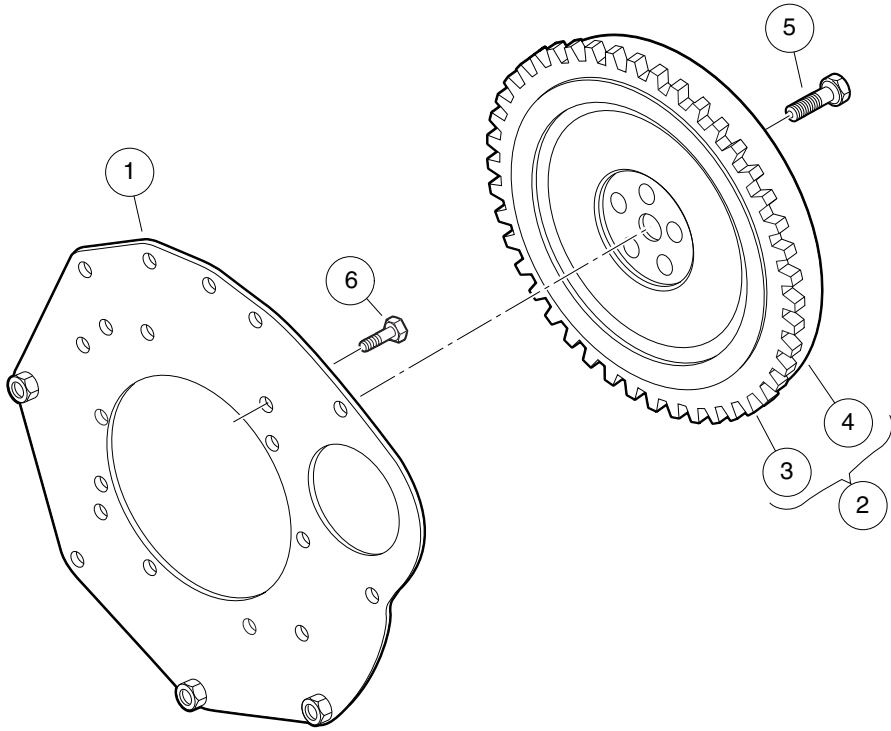
ITEM	PART NO.	DESCRIPTION	QTY
		<b>1 2 3 4</b>	
1	102604401	Key, Feather, Short Camshaft .....	1
2	102607601	Assy Piston Ring, D722 Std .....	3
3	102607602	Assy Piston Ring, D722 +.025 .....	3
4	102607801	Assy, Connecting Rod (includes items 5 through 10) .....	3
5	102607901	Bolt, Connecting Rod .....	6
6	102630701	Metal, Crank, Rod, D722, Std .....	3
7	N/A	Metal, Crank, Rod, D722, .020 .....	3
8	102630703	Metal, Crank, Rod, D722, .040 .....	3
9	102732201	Bushing, Piston Pin, D722 .....	3
10	N/A	Rod, Connecting .....	1
11	102608101	Sleeve, Crankshaft .....	1
12	102608801	Metal,crank, O Side, Std .....	2
13	N/A	Metal,crank, O Side, +.020 .....	2
14	102608803	Metal,crank, O Side, +.040 .....	2
15	102608804	Metal,crank, I Side, Std .....	2
16	N/A	Metal,crank, I Side, +.020 .....	2
17	102608806	Metal,crank, I Side, +.040 .....	2
18	102609001	Metal, Crank, Main, Rear Std .....	1
19	N/A	Metal, Crank, Main, Rear -.020 .....	1
20	102609003	Metal, Crank, Main, Rear -.040 .....	1
21	102609801	Metal, Crank, Main, Mid Std .....	4
22	N/A	Metal, Crank, Main, Mid +.020 .....	2
23	102609803	Metal, Crank, Main, Mid +.040 .....	2
24	102610001	Crankshaft (includes items 25 and 26) .....	1
25	102608001	Ball, Crankshaft .....	3
26	N/A	Crankshaft .....	1
27	102630001	Metal, Crank, D722, Frnt, Std .....	1
28	N/A	Metal, Crank, 722, Frnt, -.020 .....	1
29	102630003	Metal, Crank, 722, Frnt, -.040 .....	1
30	102630101	Gear, Crank .....	1
31	102630201	Slinger, Oil .....	1
32	102630301	O Ring, 23 X 26 .....	1
33	102630401	Collar, Crankshaft .....	1
34	102630901	Circlip, Piston Pin .....	6
35	102631001	Pin, Piston .....	3
36	102728101	Piston, D722, Std .....	3
37	102728102	Piston, D722, +0.25 .....	3

**7**

**D**

7

D



000049-001

# FLYWHEEL

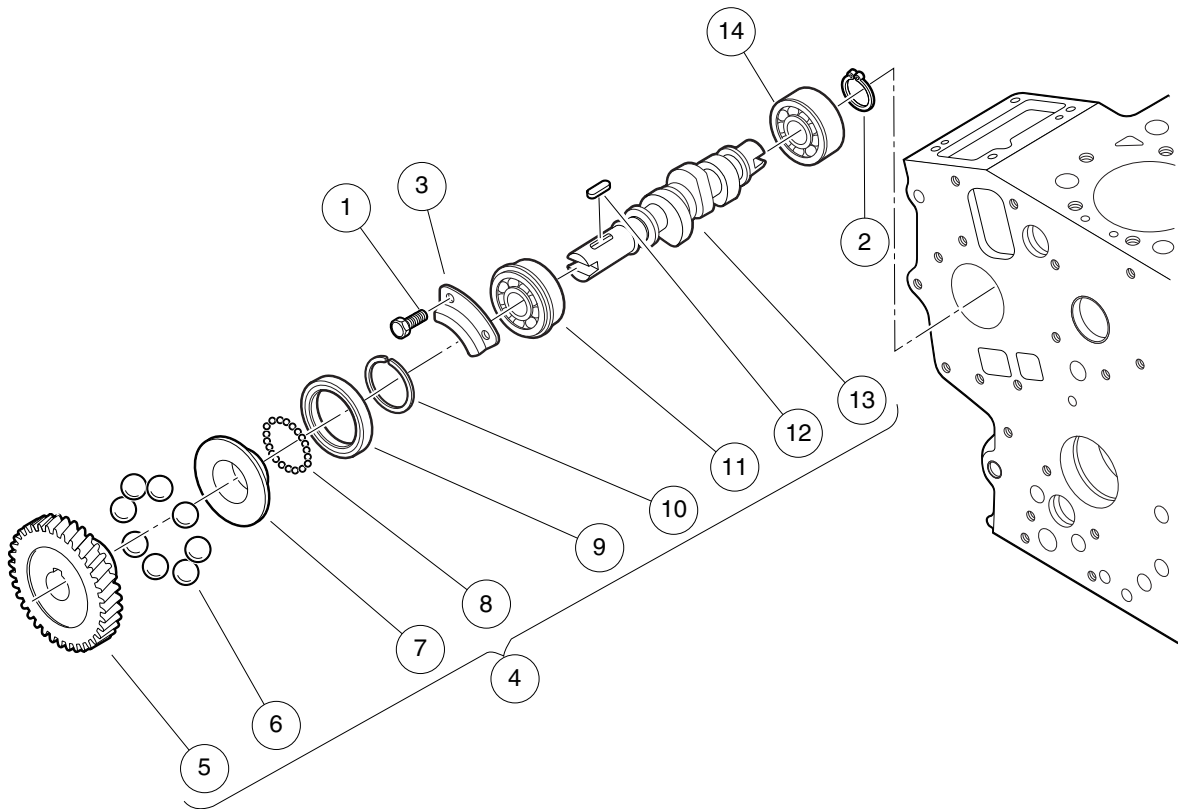
ITEM	PART NO.	DESCRIPTION	QTY
		<b>1 2 3 4</b>	
1	102647501	Plate, Rear End .....	1
2	102647801	Flywheel (includes items 3 and 4) .....	1
3	102647901	Gear, Ring, D722 .....	1
4	N/A	Flywheel .....	1
5	102648001	Bolt, Flange Head, M10 X 1.5 X 25 .....	5
6	102728301	Bolt, End Plate .....	10

**7**

**D**

7

D



000050-001

# SHAFT

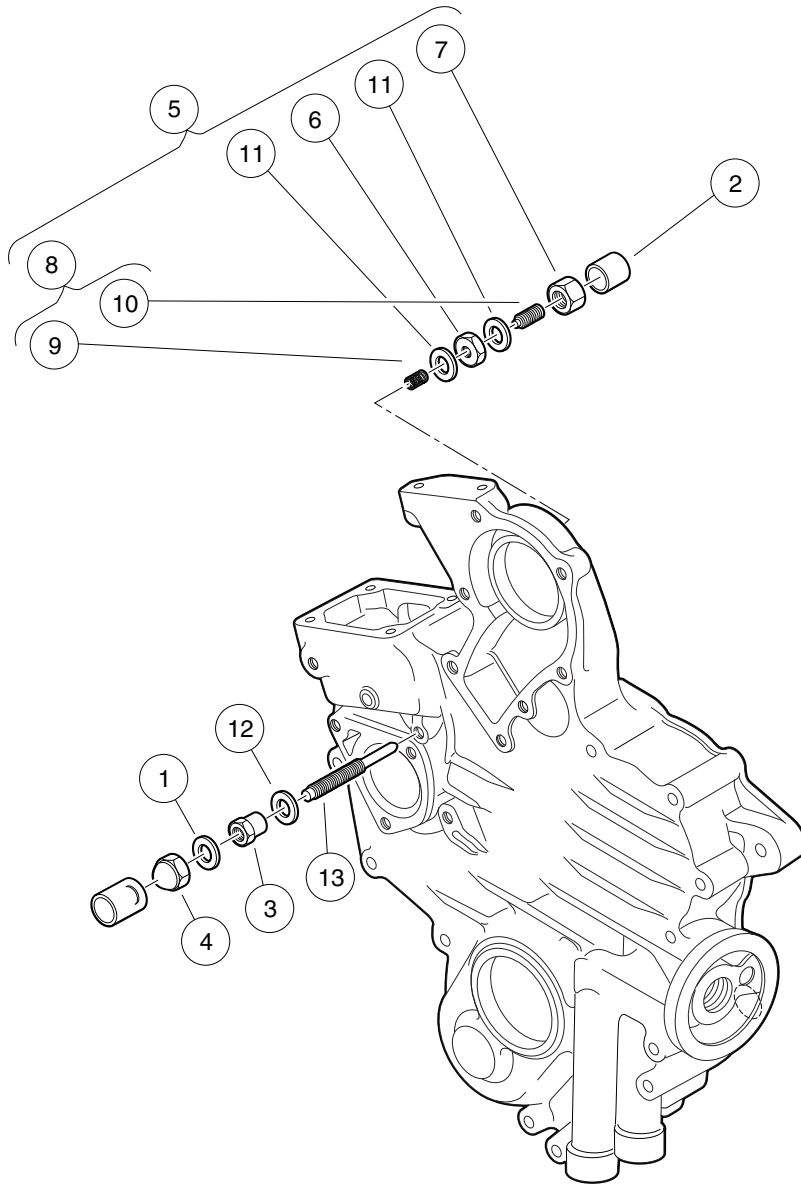
**7**

ITEM	PART NO.	DESCRIPTION	QTY
		<b>1 2 3 4</b>	
1	102604201	Bolt, D722, Cam End .....	2
2	102604701	Circlip, External .....	1
3	N/A	Stopper, Fuel, C/shaft .....	1
4	102728401	Assy, Fuel Camshaft (includes items 5 through 13) .....	1
5	102603601	Gear, Injection Pump .....	1
6	102603701	Ball, Injection Pump .....	8
7	102603801	Sleeve, Governor .....	1
8	102603901	Ball, Governor .....	32
9	102604001	Case, Governor Ball .....	1
10	102604101	Circlip .....	1
11	102604301	Bearing, Ball .....	1
12	102604401	Key, Feather, Short Camshaft .....	1
13	102604501	Camshaft, Fuel, Short .....	1
14	102728501	Bearing, Ball .....	1

**D**

7

D



000051-002

# IDLE APPARATUS

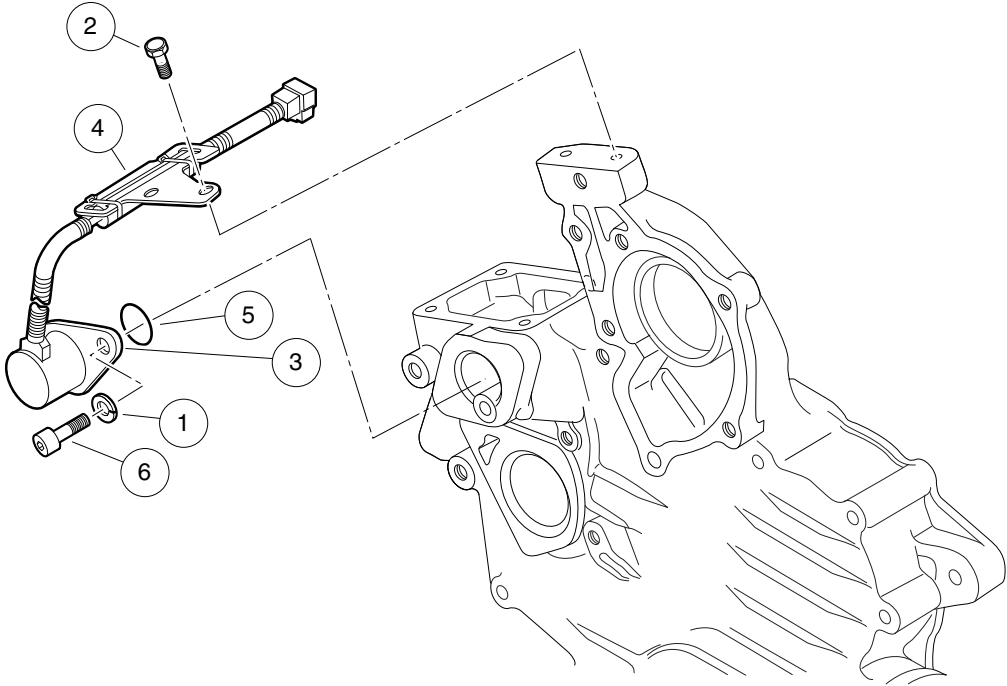
7

ITEM	PART NO.	DESCRIPTION	QTY
		<b>1 2 3 4</b>	
1	102635301	Gasket, 6 X 10 .....	1
2	102635701	Cap, Bolt Assy .....	1
3	102637001	Nut, Lock, Special .....	1
4	102637101	Nut, Special .....	1
5	102728601	Assy, Idle Apparatus (includes items 6 through 11) .....	1
6	102635501	Nut, M8, D722 Idle App, Specl .....	1
7	102635801	Nut, M8, D722 Idle App .....	1
8	102635901	Assy, Bolt, Adjusting (includes items 9 and 10) .....	1
9	102728701	Spring, Idle Apparatus .....	1
10	N/A	Stud, Idle Adjustment .....	1
11	102728801	Gasket, Idle Apparatus, Rear .....	2
12	102728901	Gasket, Idle Apparatus, Front .....	1
13	102799501	Bolt, Idle Adjusting .....	1

D

7

D



000182-001



# STOP SOLENOID

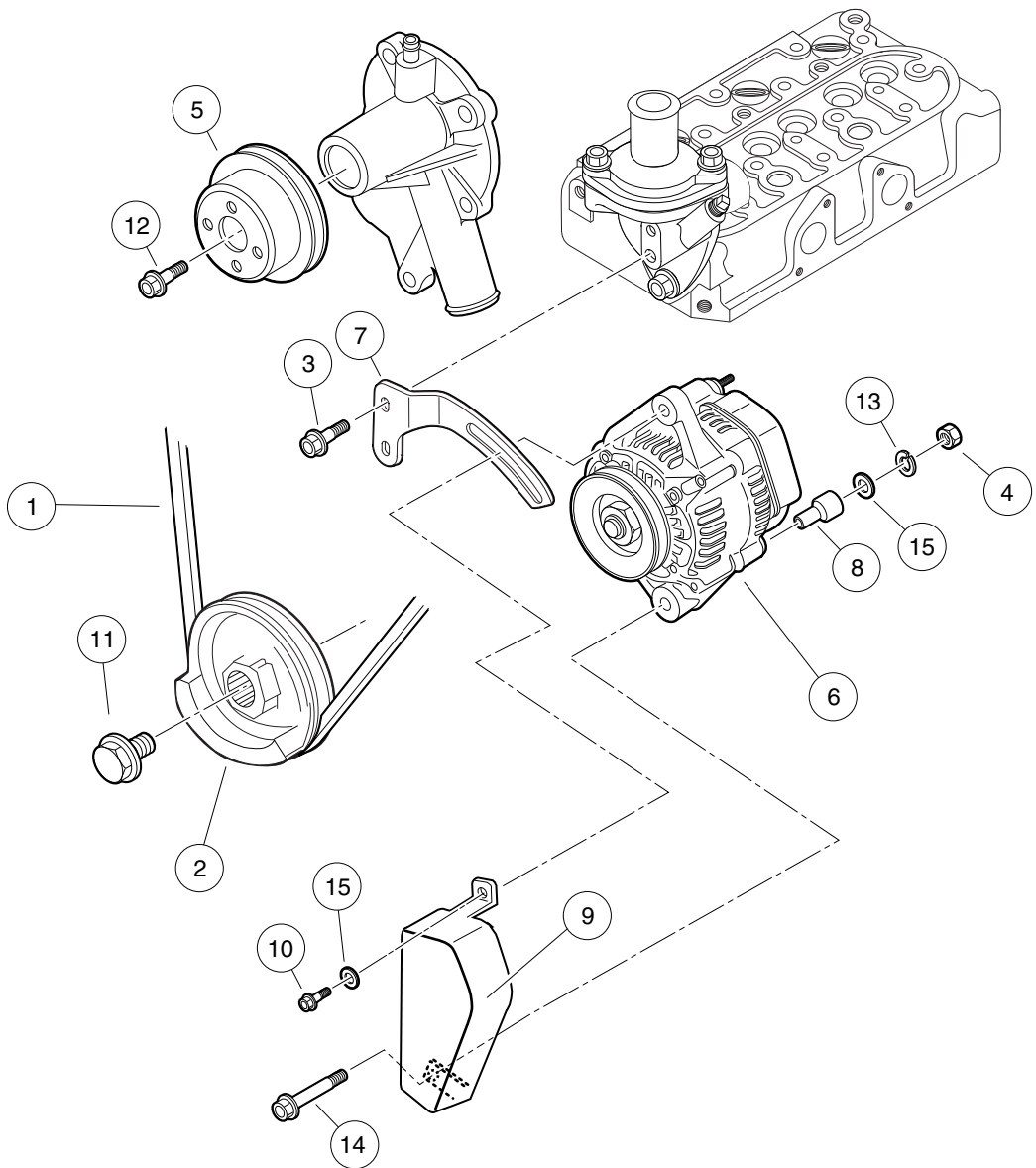
ITEM	PART NO.	DESCRIPTION	QTY
		<b>1 2 3 4</b>	
1	102640601	Washer, Spring, M6, D722 .....	2
2	102729101	Bolt, Solenoid, Stop, D722 .....	2
3	102799601	Solenoid, Stop .....	1
4	102799701	Stay, Stop Solenoid .....	1
5	102799801	O-Ring, Stop Solenoid .....	1
6	N/A	Bolt, Stop Solenoid .....	2

**7**

**D**

7

D



000057-002

# 40-AMP ALTERNATOR

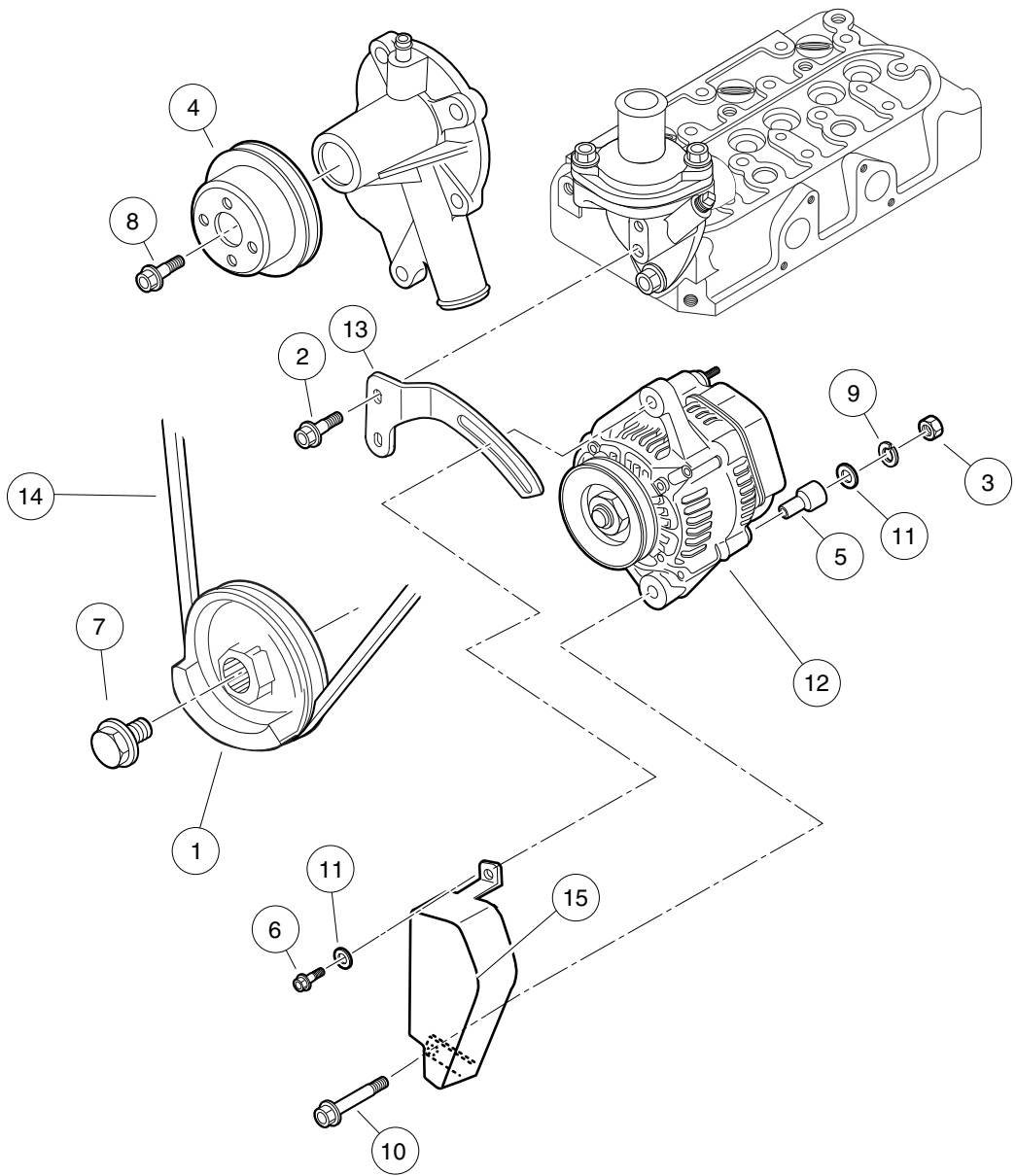
ITEM	PART NO.	DESCRIPTION	QTY
		<b>1 2 3 4</b>	
1	102601101	V-Belt .....	1
2	102630601	Pulley, Fan Drive .....	1
3	102631601	Bolt, M6 X 1 X 20 .....	2
4	102647701	Nut, M8, Plate .....	1
5	102701201	Pulley, Water Pump .....	1
6	102730001	Alternator, 40-Amp .....	1
7	102730101	Stay, Alternator Assy, D722 .....	1
8	102730201	Collar, Alternator Assy, D722 .....	1
9	102730301	Cover, Alternator Assy, D722 .....	1
10	102730401	Bolt, Alt, D722, Adjuster .....	1
11	102730601	Bolt, Alt, D722, Drive Pulley .....	1
12	102731301	Bolt, D722, Drive Pulley .....	4
13	102732501	Washer, Spring, D722, Starter .....	1
14	102800701	Bolt, Alternator, Lower .....	1
15	102801001	Washer, Alternator, Upper .....	2

**7**

**D**

7

D



000057-003

# 60-AMP ALTERNATOR

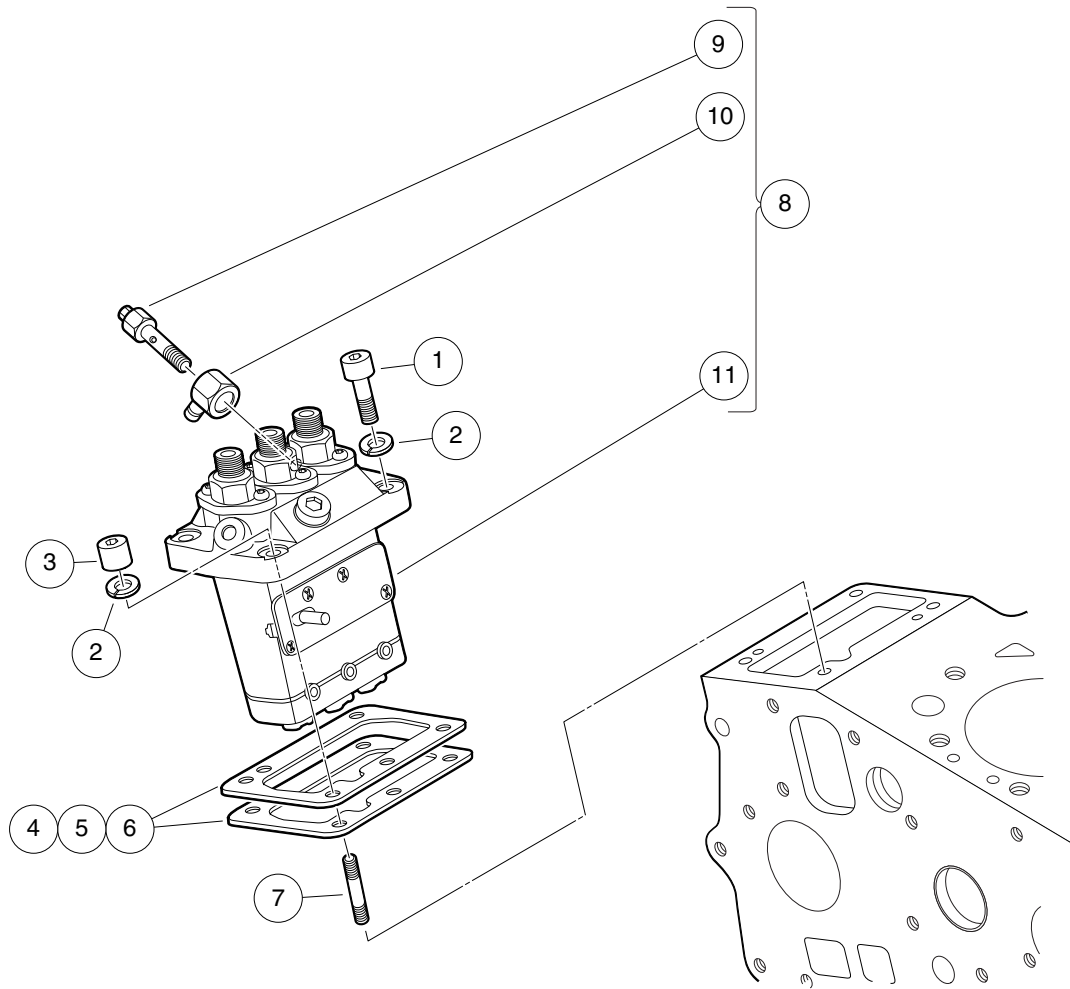
ITEM	PART NO.	DESCRIPTION	QTY
		<b>1 2 3 4</b>	
1	102630601	Pulley, Fan Drive .....	1
2	102631601	Bolt, M6 X 1 X 20 .....	2
3	102647701	Nut, M8, Plate .....	1
4	102701201	Pulley, Water Pump .....	1
5	102730201	Collar, Alternator Assy, D722 .....	1
6	102730401	Bolt, Alt, D722, Adjuster .....	1
7	102730601	Bolt, Alt, D722, Drive Pulley .....	1
8	102731301	Bolt, D722, Drive Pulley .....	4
9	102732501	Washer, Spring, D722, Starter .....	1
10	102800701	Bolt, Alternator, Lower .....	1
11	102801001	Washer, Alternator, Upper .....	2
12	102934701	Alternator, 60 Amp .....	1
13	102934801	Brkt, Alt, D722, 60 Amp .....	1
14	102934901	Belt, Acc Drive, D722, 60 Amp .....	1
15	103239901	Guard, Acc Belt .....	1

**7**

**D**

7

D



000053-002

# INJECTION PUMP

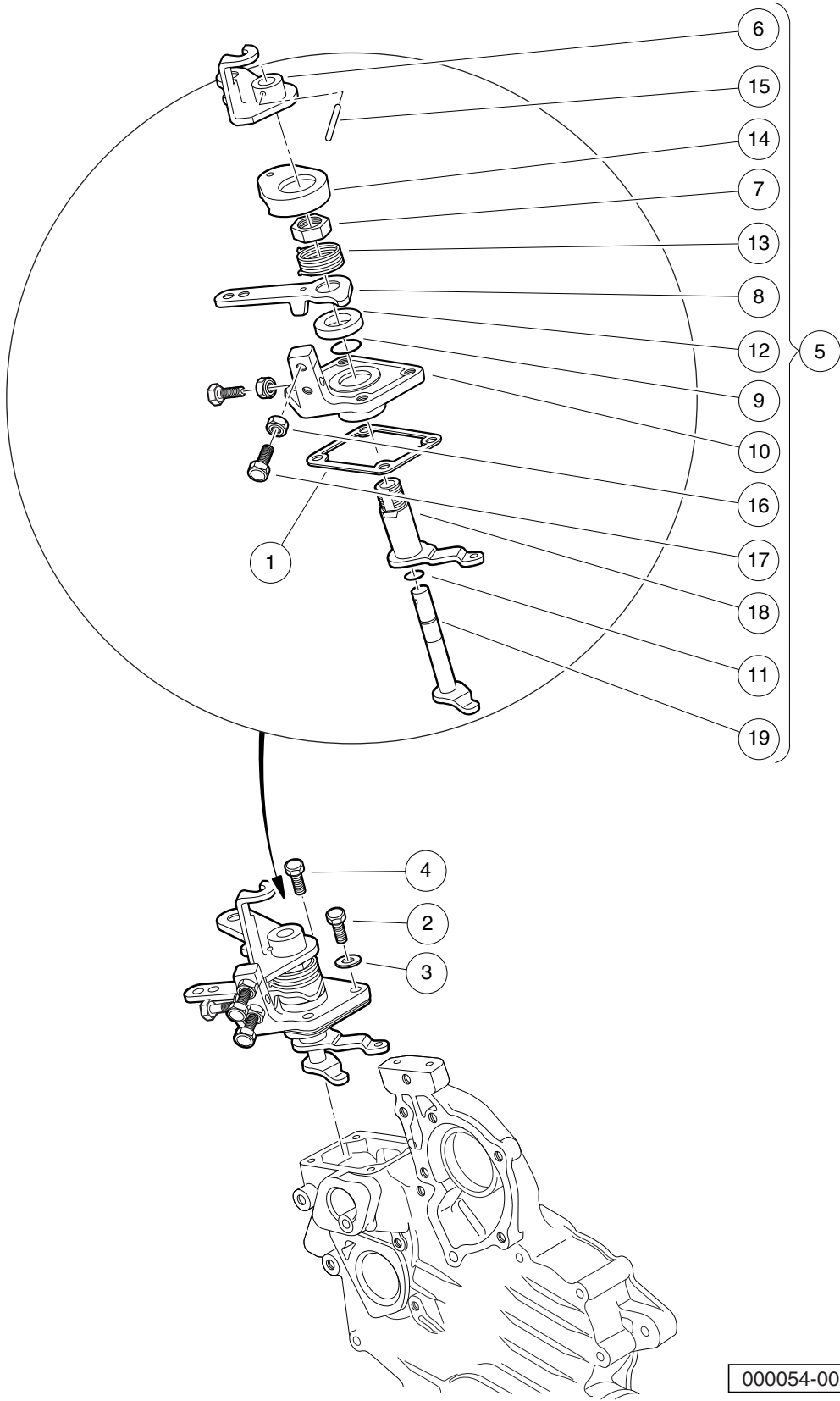
ITEM	PART NO.	DESCRIPTION	QTY
		<b>1 2 3 4</b>	
1	102640501	Bolt, Hex-Head, M5 X 0.75 X .....	2
2	102640601	Washer, Spring, M6, D722 .....	4
3	102640701	Nut, Special .....	2
4	102640901	Shim, Injection Pump, 0.20 mm .....	1
5	102641001	Shim, Injection Pump, 0.25 mm .....	1
6	102641101	Shim, Injection Pump, 0.30 mm .....	1
7	102641201	Stud, M5 X 25 .....	2
8	102800101	Assembly, Fuel Injection Pump (includes items 9 through 11) .....	1
9	102637701	Screw, Hollow, D722, Inj Pump .....	1
10	102640401	Joint, Eye .....	1
11	N/A	Pump, Injection .....	1

**7**

**D**

7

D



000054-002

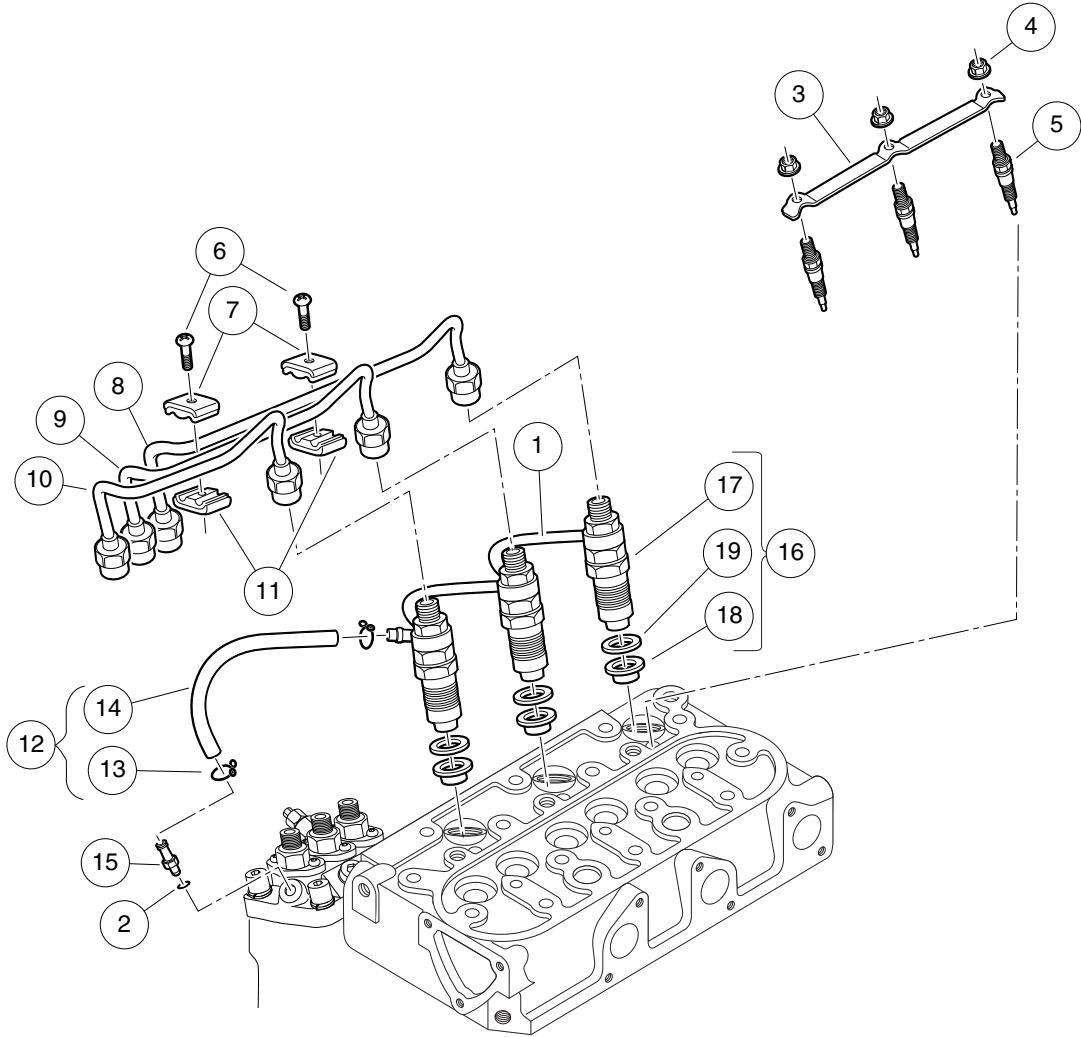


# SPEED CONTROL PLATE

ITEM	PART NO.	DESCRIPTION	QTY
		<b>1 2 3 4</b>	
1	102634501	Gasket, Control Plate .....	1
2	102635201	Bolt, M6 X 1 X 30 .....	2
3	102635301	Gasket, 6 X 10 .....	2
4	102654301	Bolt, D722 Intake Manfld Lower .....	2
5	102800401	Assembly, Speed Plate (includes items 6 through 19) .....	1
6	102633701	Lever, Engine Stop .....	1
7	102633801	Nut, Speed Control .....	1
8	102633901	Lever, Speed Control .....	1
9	102634001	O Ring, 19 X 16 .....	1
10	102634101	Plate, Speed Control .....	1
11	102634401	O Ring, 9 X 7 .....	1
12	102634601	Collar, Lever .....	1
13	102634701	Spring, Return .....	1
14	102729401	Cap, Speed Cntrl Plate Rtrn .....	1
15	102729501	Pin, Spring, Speed Plate .....	1
16	N/A	Nut, Speed Control .....	2
17	N/A	Bolt, Speed Control .....	2
18	102800501	Lever, Governor .....	1
19	102800601	Shaft, Governor Lever .....	1

**7**

**D**



000055-001

# NOZZLE HOLDERS AND GLOW PLUGS

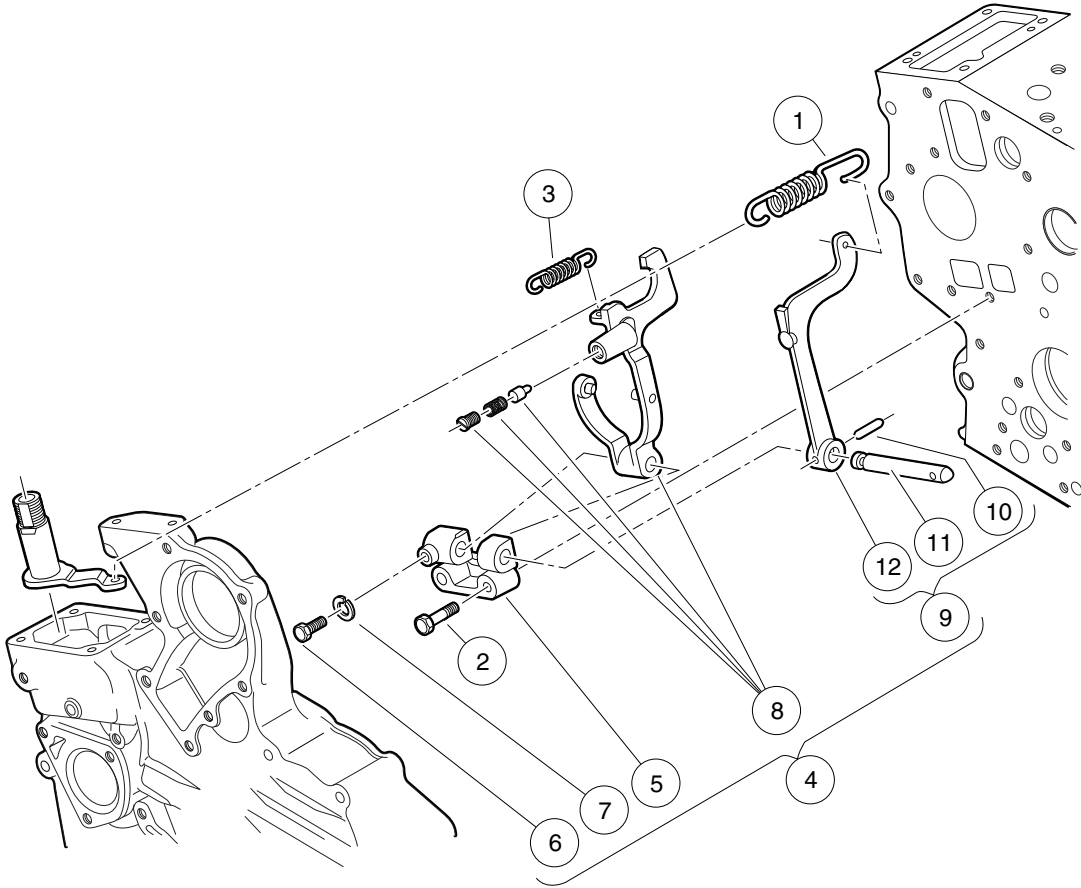
ITEM	PART NO.	DESCRIPTION	QTY
		1 2 3 4	
1	102605701	Assy Pipe, D722 Fuel Over Flow .....	1
2	102635301	Gasket, 6 X 10 .....	1
3	102642401	Cord, Glow Plug .....	1
4	102642501	Nut, Flange,m4 .....	3
5	102642601	Glow Plug .....	3
6	102642801	Screw, Washer .....	2
7	102642901	Clamp, Pipe, Top .....	2
8	102643001	Pipe, Injection, Left .....	1
9	102643101	Pipe, Injection, Right .....	1
10	102643201	Pipe, Injection, Middle .....	1
11	102643301	Clamp, Pipe, Bottom .....	2
12	102643401	Assy Pipe, Over Flow (includes items 13 and 14) .....	1
13	102729601	Clip, Pipe, Return .....	2
14	N/A	Hose, Overflow .....	1
15	102643701	Screw, Air Bleeder .....	1
16	102729701	Kit, Holder, Nozzle (includes items 17 through 19) .....	3
17	102641501	Assembly, Nozzle Holder .....	3
18	102642701	Seal, Heat .....	3
19	102643601	Gasket, Nozzle .....	3

**7**

**D**

7

D



000056-002

# GOVERNOR COMPONENTS

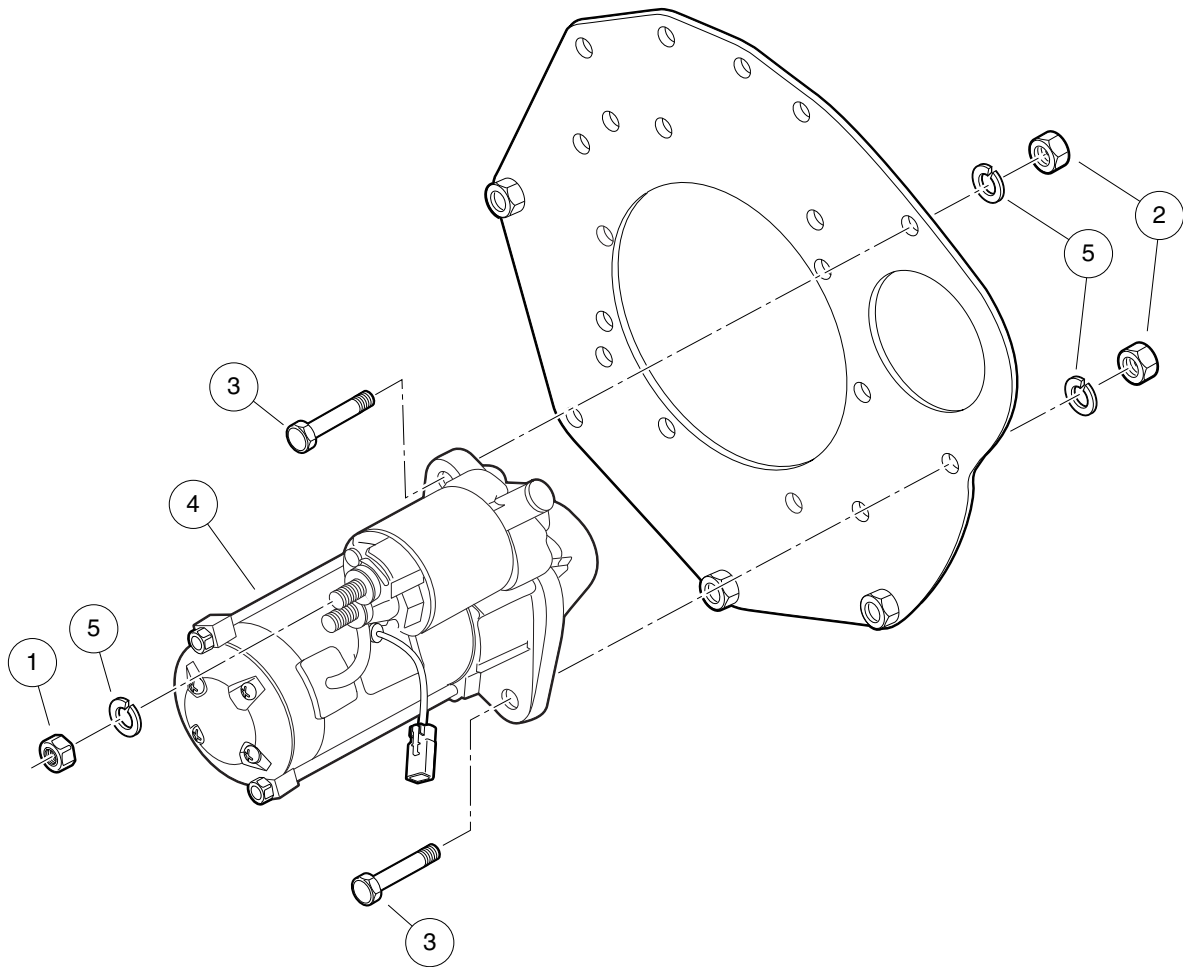
ITEM	PART NO.	DESCRIPTION	QTY
		1 2 3 4	
1	102635101	Spring, Governor .....	1
2	102636301	Bolt, M5 X 0.75 X 25 .....	2
3	102800201	Spring, Start .....	1
4	102800301	Assembly, Governor Fork (includes items 5 through 9) .....	1
5	102636201	Holder, Fork Lever .....	1
6	102636401	Bolt, M5 X 0.75 X 11 .....	1
7	102636501	Washer, Spring, M5 .....	1
8	N/A	Lever, Fork, Middle, D722 CB .....	1
9	N/A	Assembly, Governor Fork Level, Lower, D722 CB (includes items 10 through 12) .....	1
10	102633601	Pin, Spring .....	1
11	102636601	Shaft, Fork Lever .....	1
12	N/A	Lever, Fork, End, D722 CB .....	1

**7**

**D**

7

D



000058-001

# STARTER

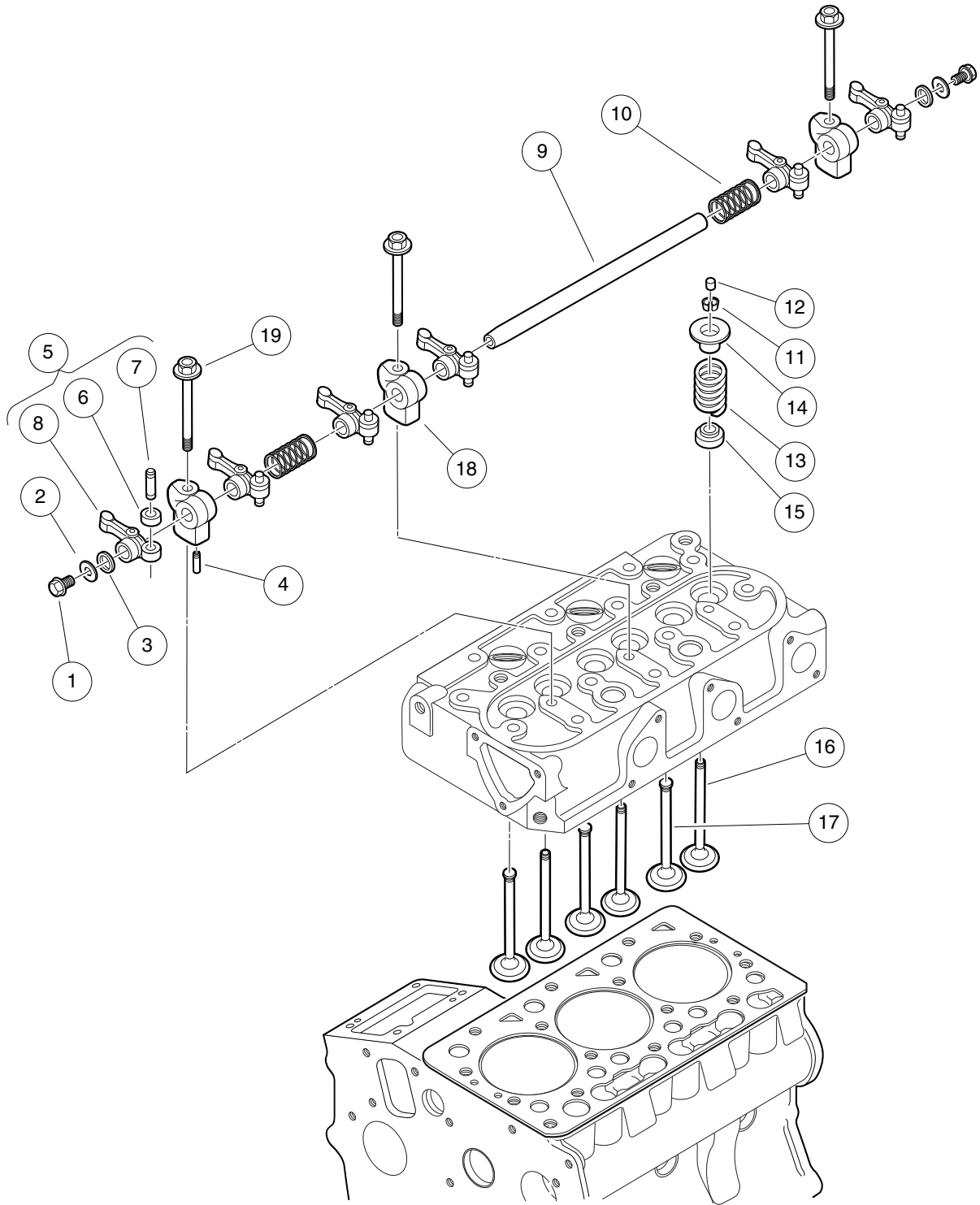
ITEM	PART NO.	DESCRIPTION	QTY
		<b>1 2 3 4</b>	
1	102645501	Nut, D722, Starter .....	2
2	102647701	Nut, M8, Plate .....	2
3	102648401	Bolt, M8 X 1.25 X 28 .....	2
4	102648501	Motor, Starter .....	1
5	102732501	Washer, Spring, D722, Starter .....	4

**7**

**D**

7

D



000062-002



## VALVES AND ROCKER ARMS

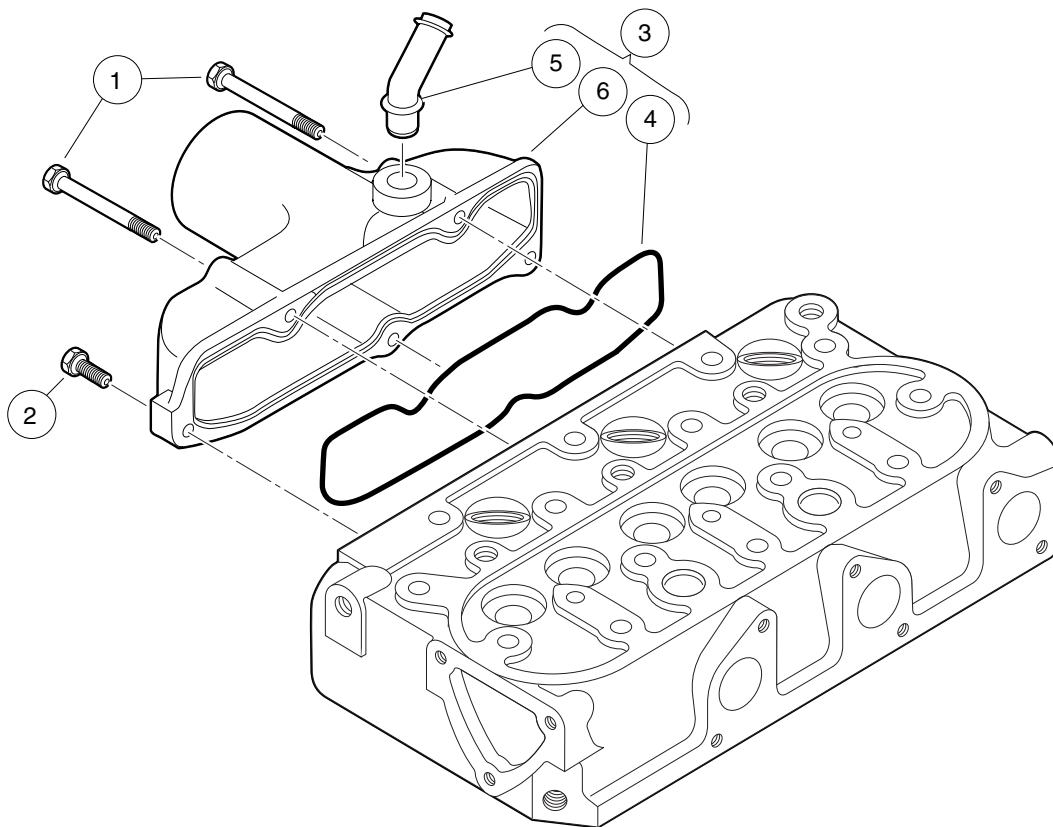
ITEM	PART NO.	DESCRIPTION	QTY
		<b>1 2 3 4</b>	
1	102646401	Bolt, M6 X 1 X 8 .....	2
2	102651301	Washer, D722, Plain, Rocker .....	2
3	102651601	Washer, Rocker Arm .....	2
4	102651801	Pin, Spring, D722, Rocker .....	1
5	102652001	Assy Rocker Arm (includes items 6 through 8) .....	6
6	102651501	Nut, M6 .....	6
7	102651701	Screw-Adjusting .....	6
8	N/A	Arm, Rocker .....	1
9	102652601	Shaft, Rocker Arm .....	1
10	102652701	Spring, Rocker Arm .....	2
11	102652901	Collet, Valve Spring, Set .....	6
12	102653001	Cap, Valve, D722 .....	6
13	102653101	Spring, Valve .....	6
14	102653201	Retainer, Spring .....	6
15	102653301	Seal, Valve Stem .....	6
16	102653601	Valve, Exhaust .....	3
17	102653701	Valve, Inlet .....	3
18	102801101	Bracket, Rocker Arm, D722 Closed-Breather .....	3
19	102801201	Bolt, Rocker Arm .....	3

**7**

**D**

7

D



000063-002

# DIESEL INLET MANIFOLD

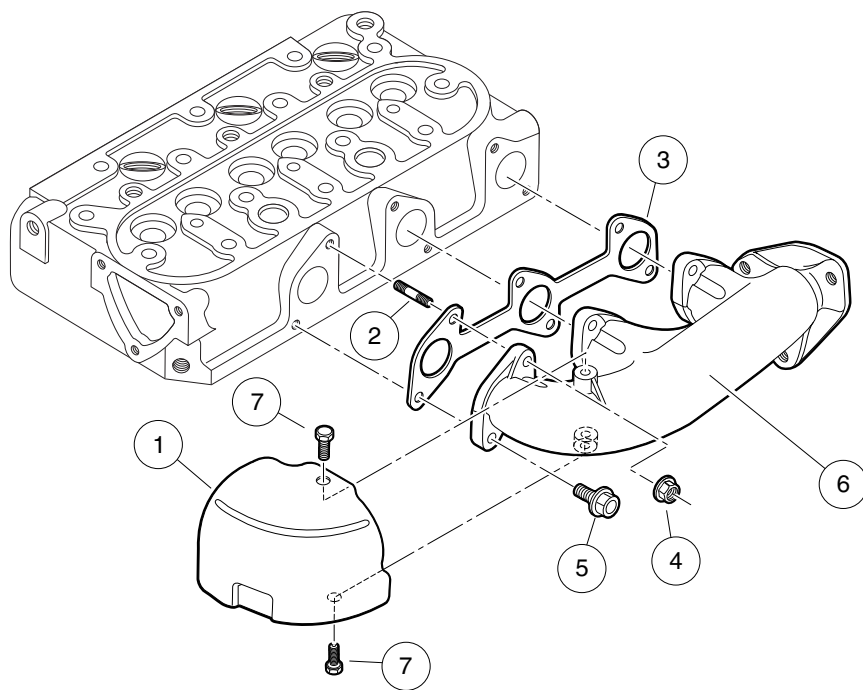
ITEM	PART NO.	DESCRIPTION	QTY
		<b>1 2 3 4</b>	
1	102646101	Bolt, M6 X 1 X 45 .....	3
2	102654301	Bolt, D722 Intake Manfld Lower .....	2
3	102801301	Assembly, Intake Manifold (includes items 4 through 6) .....	1
4	102646001	Gasket, Intake Manifold .....	1
5	102801401	Pipe, Breather .....	1
6	102801501	Manifold, Intake .....	1

**7**

**D**

7

D



000064-001

# EXHAUST MANIFOLD

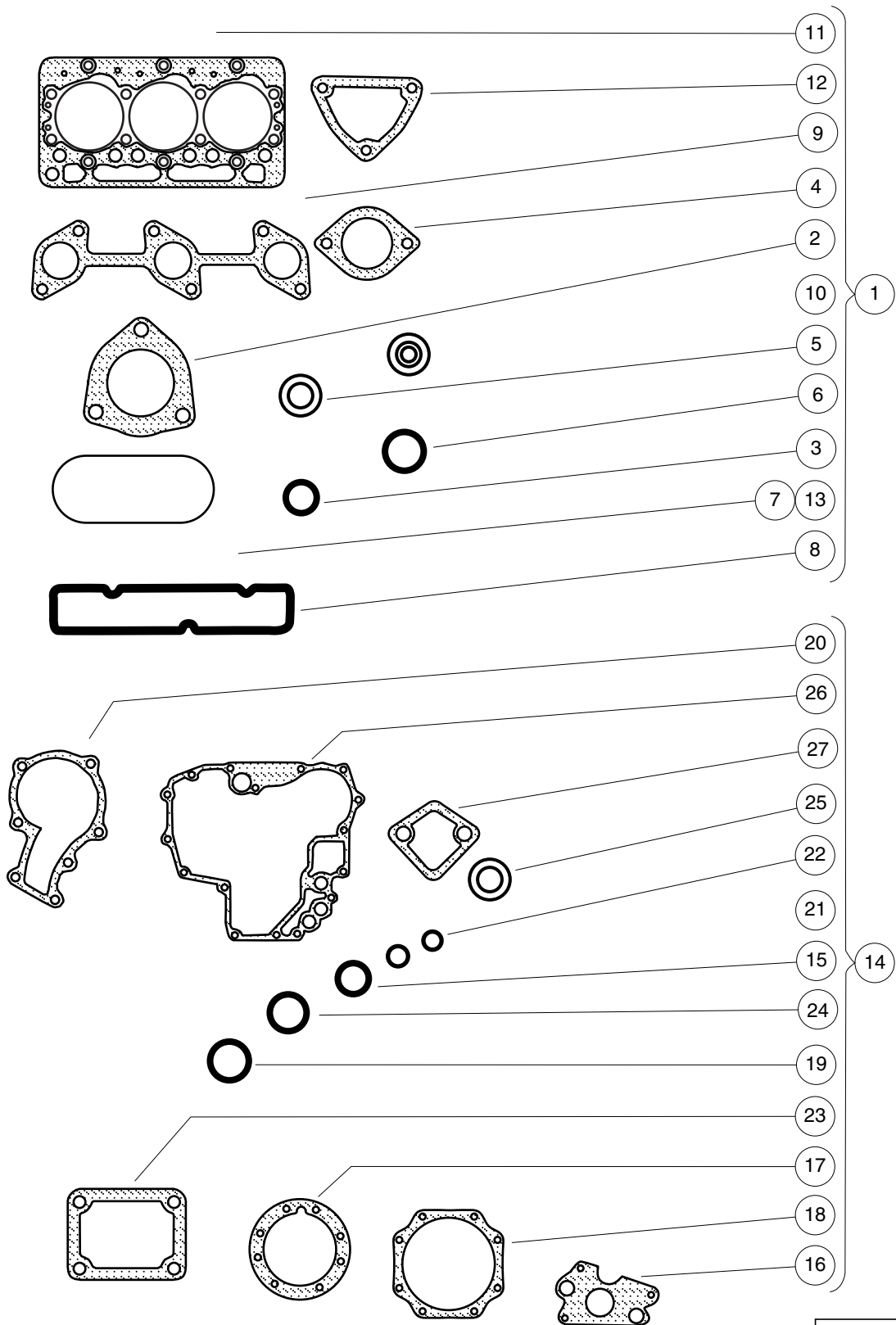
ITEM	PART NO.	DESCRIPTION	QTY
		<b>1 2 3 4</b>	
1	102646301	Cover, Heat Proof .....	1
2	102646501	Stud, M6 X 26 .....	3
3	102646601	Gasket, Ex-manifold .....	1
4	102647101	Nut, Flange, M6, Ubs .....	3
5	102647201	Bolt, Flange Head, M6 X 1 X 16 .....	3
6	102731501	Manifold, Exhaust, D722 .....	1
7	102731601	Bolt, D722, Exhst Manfld Cover .....	2

**7**

**D**

7

D



000065-001

# GASKET KITS

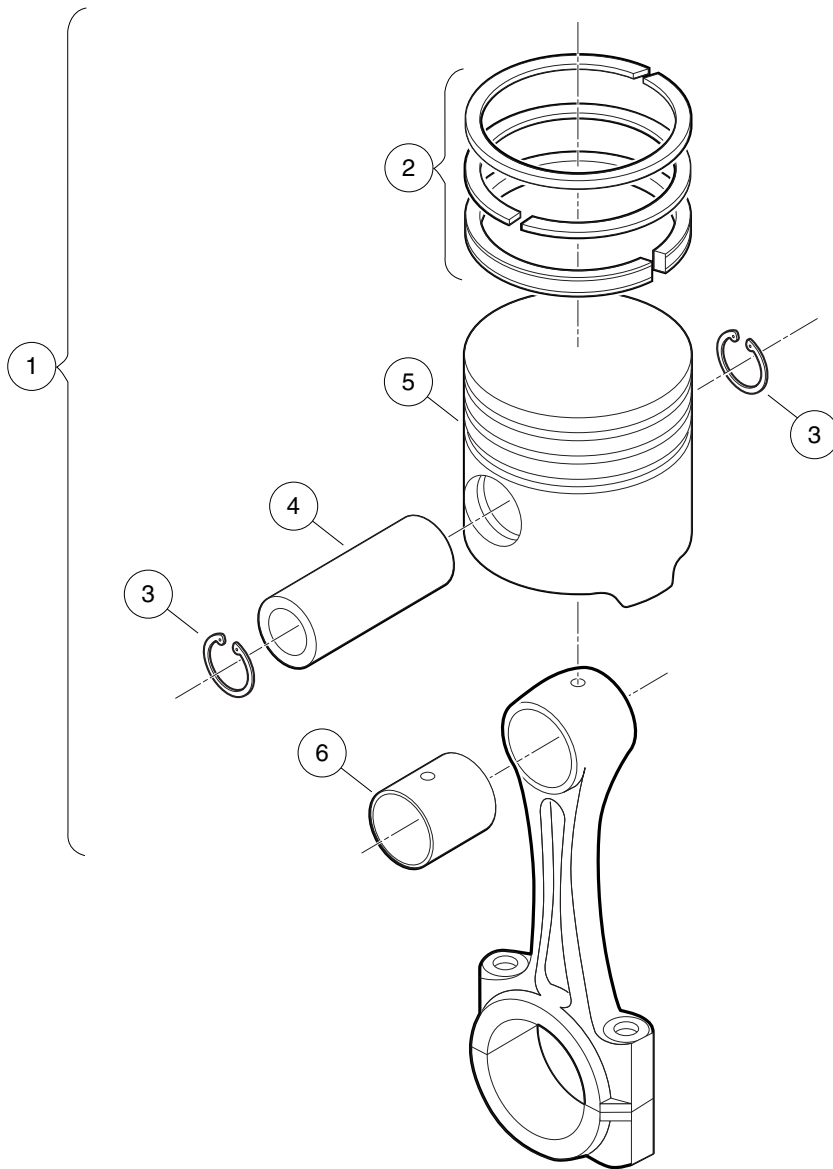
ITEM	PART NO.	DESCRIPTION	QTY
		<b>1 2 3 4</b>	
1	102731801	Kit, Gasket Upper, D722 (includes items 2 through 13) .....	1
2	102422301	Gasket, Exhaust Diesel .....	1
3	102600301	O Ring, 8 X 7 .....	1
4	102633401	Gasket, Thermostat .....	1
5	102635301	Gasket, 6 X 10 .....	3
6	102644001	O Ring, 30 X 36 .....	1
7	102644501	Gasket, Head Cover .....	1
8	102646001	Gasket, Intake Manifold .....	1
9	102646601	Gasket, Ex-manifold .....	1
10	102653301	Seal, Valve Stem .....	6
11	102654101	Gasket, Cylinder Head .....	1
12	102654701	Gasket, Water Flange .....	1
13	102798501	Gasket, Cylinder Head Cover .....	1
14	102731901	Kit, Gasket Lower, D722 (includes items 15 through 27) .....	1
15	102601801	O Ring, 18 X 13 .....	3
16	102606601	Gasket, Oil Pump .....	1
17	102608201	Gasket, Bearing Case .....	1
18	102608301	Gasket, Cover .....	1
19	102630301	O Ring, 23 X 26 .....	1
20	102632701	Gasket, Water Pump, D722 .....	1
21	102634001	O Ring, 19 X 16 .....	1
22	102634401	O Ring, 9 X 7 .....	1
23	102634501	Gasket, Control Plate .....	1
24	102654601	O Ring, 20 X 17 .....	1
25	102728801	Gasket, Idle Apparatus, Rear .....	2
26	102729301	Gasket, Gearcase, D722 .....	1
27	102732601	Gasket, Fuel Pump, D722 .....	1

**7**

**D**

7

D



000066-001



# PISTON KIT

7

ITEM	PART NO.	DESCRIPTION	QTY
		<b>1 2 3 4</b>	
1	102732001	Kit, Piston Rebuild, D722 (includes items 2 through 6) .....	1
2	102607601	Assy Piston Ring, D722 Std .....	1
3	102630901	Circlip, Piston Pin .....	2
4	102631001	Pin, Piston .....	1
5	102728101	Piston, D722, Std .....	1
6	102732201	Bushing, Piston Pin, D722 .....	1

D

7

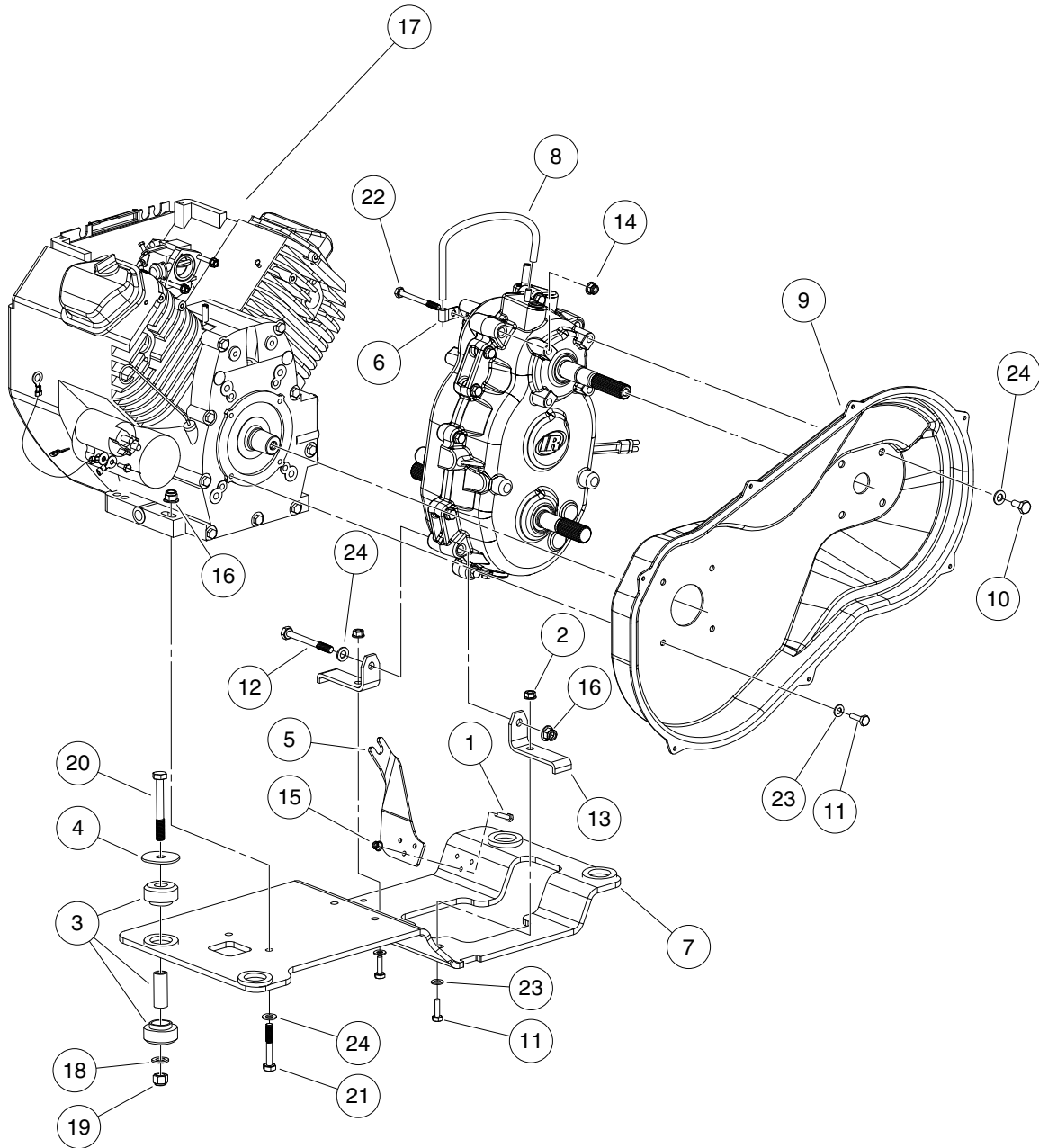
D

# HONDA GX620 GASOLINE ENGINE

---

8

G



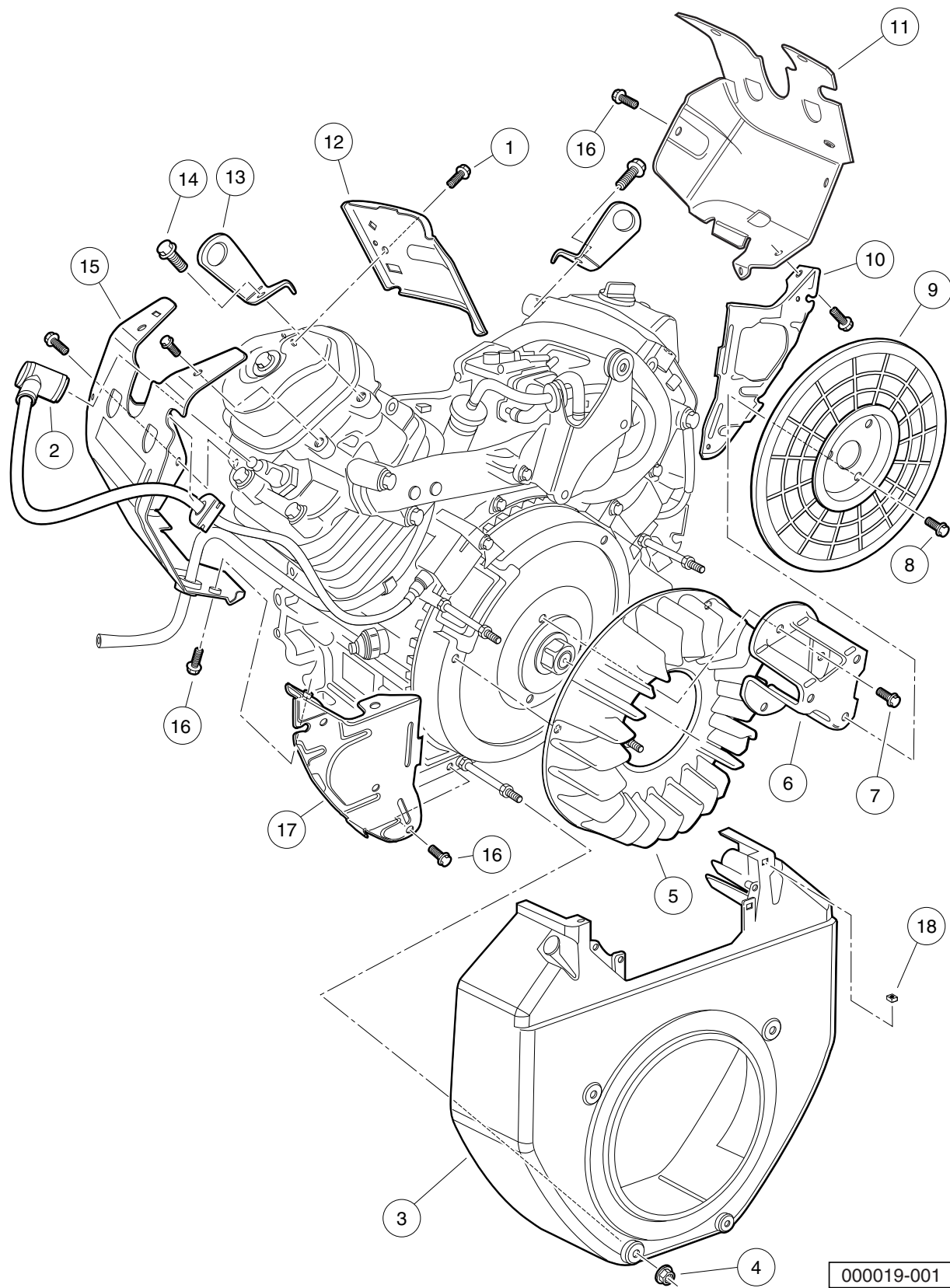
000025-003

# HONDA GX620 GASOLINE ENGINE MOUNTING

ITEM	PART NO.	DESCRIPTION	QTY
		<b>1 2 3 4</b>	
1	1012769	Screw, M6-1.00 X 25mm Hex Cap .....	3
2	102298401	Nut,m8,all Metal Lock .....	2
3	102370501	Isolator Ring and Bushing .....	4
4	102370601	Washer, Snubbing, Ring N Bush .....	4
5	102382401	Bracket, FNR Trans Cable .....	1
6	102410603	P-Clamp, Insulated .312 In .....	1
7	102414901	Plate, Eng Mtg, Weld, Honda .....	1
8	102462301	Hose, Vent, Transmission .....	1
9	102462502	Cover, CVT Inner, Honda .....	1
10	102490101	Bolt, M10 X 1.5 X 20 Loctite .....	4
11	102490201	Bolt, M8 X 1.25 X 25 Loctite .....	6
12	102490501	Bolt, M10 X 1.5 X 100 Loctite .....	1
13	102494401	Bracket, Transmission Mounting .....	2
14	102618601	Lock Nut, Flg M8 X 1.25 Nylon .....	1
15	102621501	Nut Flg, M6 X 1.0 Nylon .....	3
16	102670701	Nut Flg M10 X 1.5 Nylon .....	5
17	103252201	Engine, Honda, No Acr .....	1
18	96701412	Washer, M12 Hard .....	4
19	96704622	Locknut, M12x1.75 Nylon Insert .....	4
20	96704721	Bolt, M12 X 1.75 X 90 .....	4
21	96704960	Bolt, M10 X 1.5 X 60 .....	4
22	96718978	Bolt, M8 X 1.25 X 80 .....	1
23	96741038	Washer, M8 Hard .....	6
24	96741046	Washer, M10 Hard .....	9

**8**

**G**



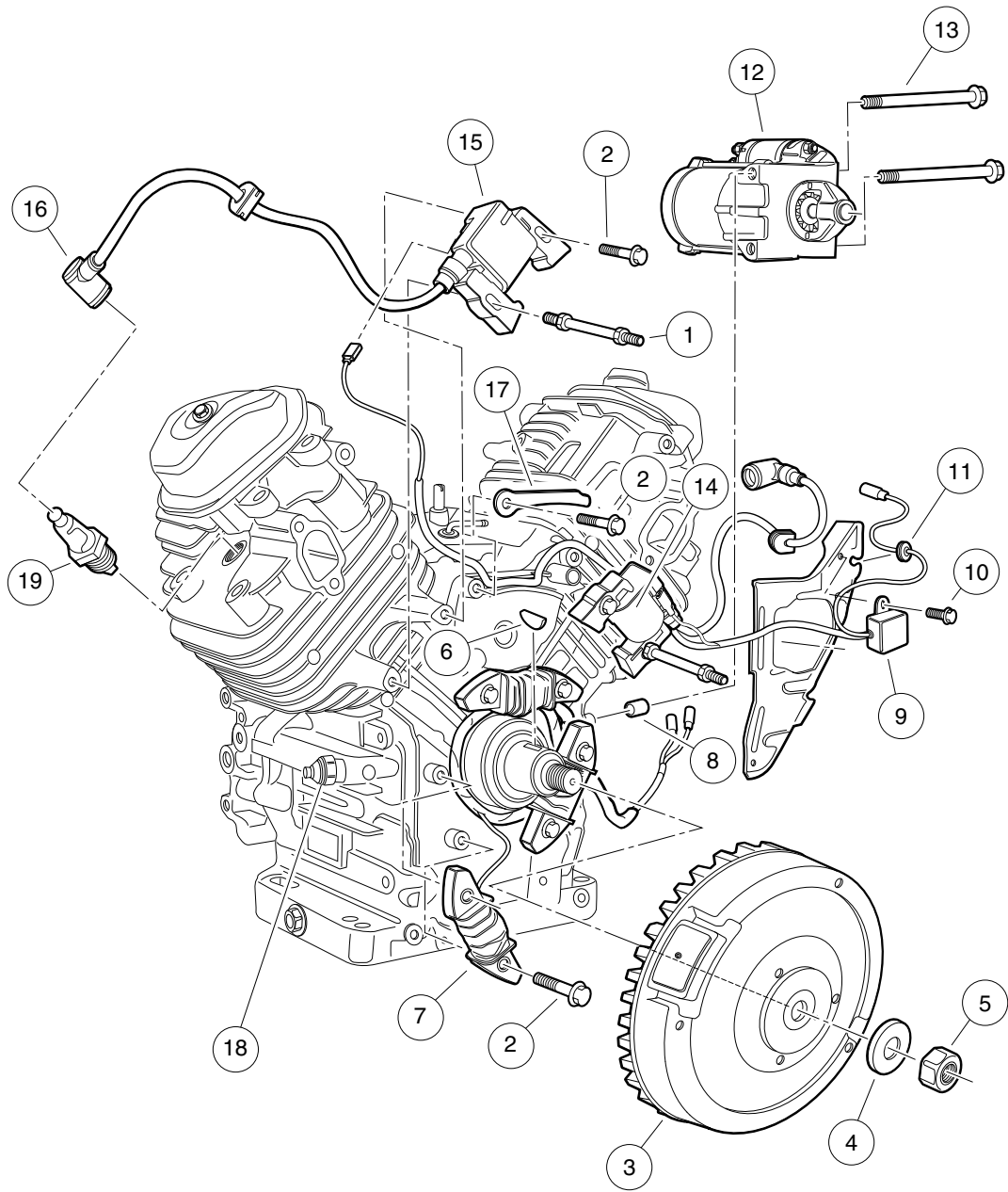
000019-001

# SHROUDS AND BRACKETS

ITEM	PART NO.	DESCRIPTION	QTY
		1 2 3 4	
1	102657501	Bolt, Flange Head, M6 X 11 X 4 .....	2
2	102666201	Cap Assy, Noise Suppressor .....	2
3	102666801	Cover, Fan, Bright Red .....	1
4	102666901	Nut, Flange, M6 .....	4
5	102667001	Fan, Cooling .....	1
6	102667101	Holder, Screen Grid .....	1
7	102667201	Bolt, Flange Head, M8 X 1.25 X 16 .....	3
8	102667301	Bolt, Flange Head, M6 X 1 X 12 .....	3
9	102667401	Grid Screen, PTO .....	1
10	102667501	Plate, R Side .....	1
11	102667601	Shroud, R .....	1
12	102667701	Shroud, Head .....	2
13	102667901	Hanger, Engine .....	2
14	102668001	Bolt, Flange Head, M8 X 1.25 X 20 .....	2
15	102668101	Shroud, L .....	1
16	102668301	Bolt, Flange Head, M6 X 1 X 12 .....	6
17	102668401	Plate, Left Side .....	1
18	102759401	Nut, Square, 5mm .....	2
		Note: The part number for a complete engine is 102402701.	

**8**

**G**



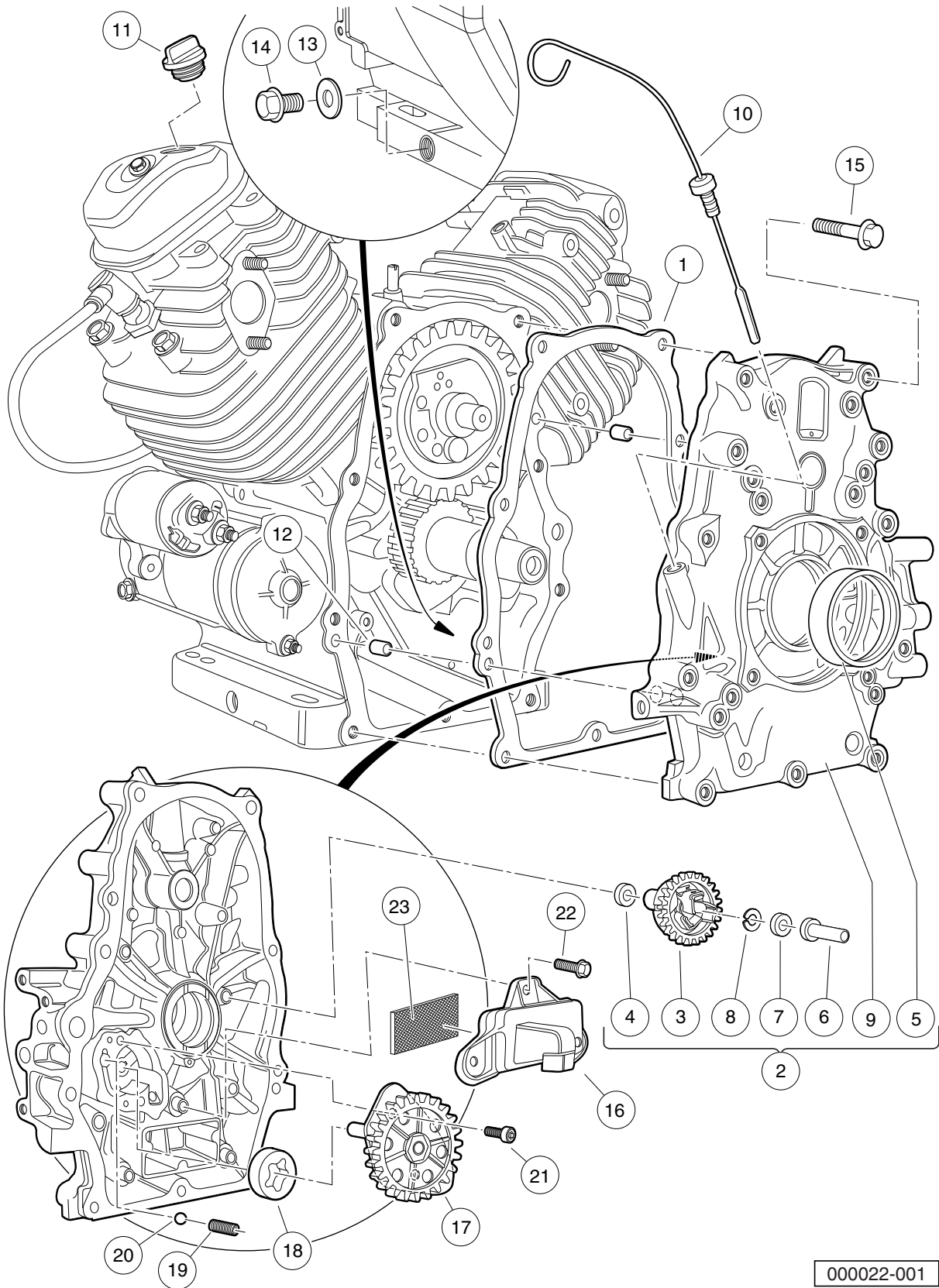
000018-001



## IGNITION COMPONENTS AND FLYWHEEL

ITEM	PART NO.	DESCRIPTION	QTY
		<b>1 2 3 4</b>	
1	102655301	Stud, Engine .....	2
2	102661901	Bolt, Flange Head, M6 X 1 X 32 .....	9
3	102664601	Flywheel .....	1
4	102664701	Washer, M20 .....	1
5	102664801	Nut, Flange, M20 .....	1
6	102664901	Key, Special Woodruff, 25 X 18 .....	1
7	102665001	Coil Assy, Charge, 12-Volt, 20-Amp .....	1
8	102665101	Pin, Dowel, 10x12 .....	2
9	102665301	Diode Assembly .....	1
10	102665401	Bolt, Flange Head, M6 X 1 X 8 .....	1
11	102665501	Grommet, Tool .....	1
12	102665601	Motor, Starter .....	1
13	102665701	Bolt, Flange Head, M8 X 1.25 X 110 .....	2
14	102665901	Coil Assy, R, Ignition .....	2
15	102666001	Coil Assy, L, Ignition .....	2
16	102666201	Cap Assy, Noise Suppressor .....	2
17	102668201	Clamp, Wire .....	1
18	102831201	Switch, Oil Pressure .....	1
19	AM1232301	Spark Plug, BPR2ES .....	2

**8**  
**G**



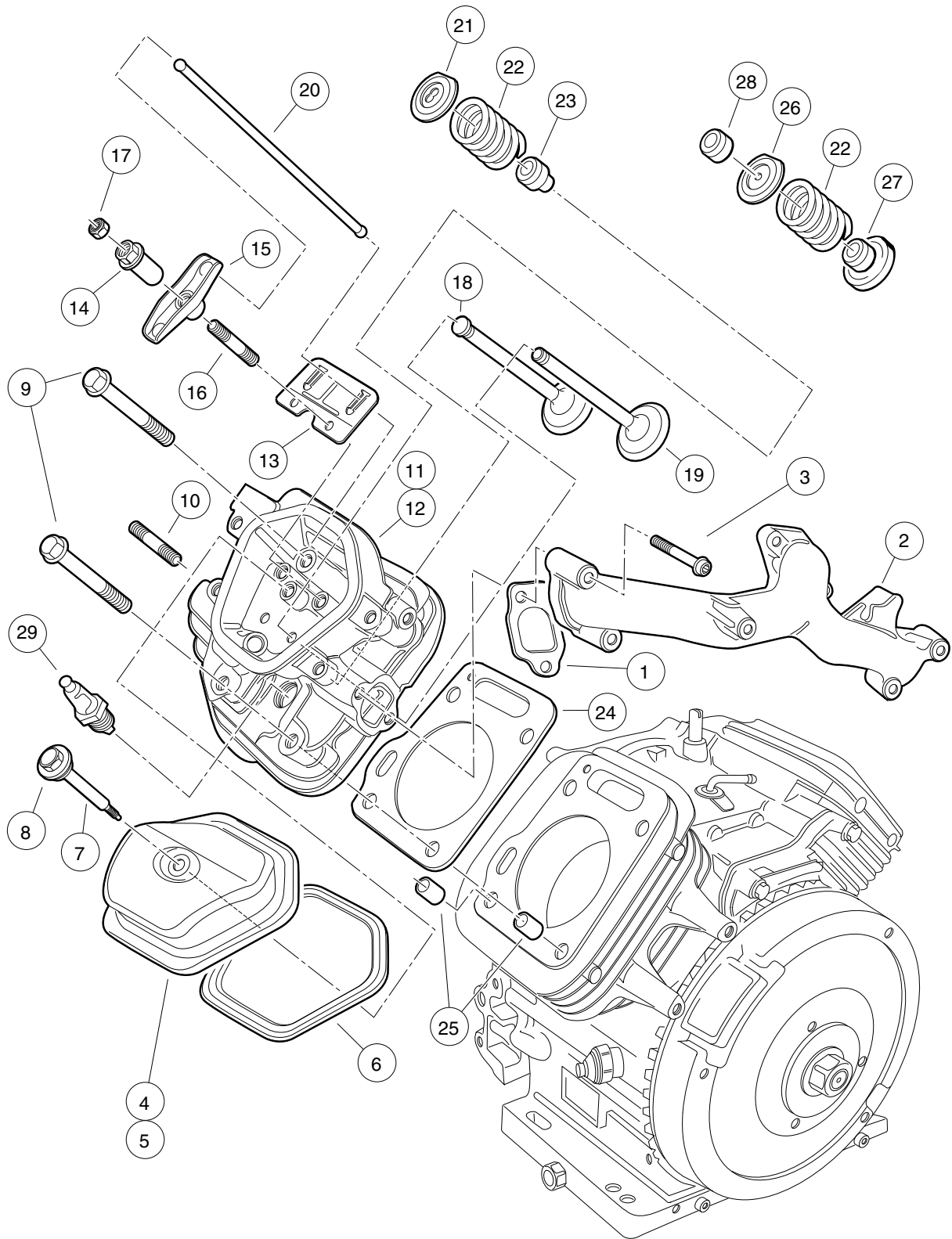
000022-001

# OIL CIRCULATION

ITEM	PART NO.	DESCRIPTION	QTY
		<b>1 2 3 4</b>	
1	102658001	Gasket, Case Cover .....	1
2	102658101	Cover Assembly, Crankcase (includes items 3 through 9) .....	1
3	102658801	Governor Assembly .....	1
4	102659601	Washer, Plain, M6 .....	1
5	102724301	Seal, Oil, 38 X 58 X 9 .....	1
6	102724401	Slider, Governor .....	1
7	102724501	Washer, 6 X 16 .....	1
8	102724601	Clip, Governor .....	1
9	N/A	Cover, Crankcase .....	1
10	102658201	Dipstick, Oil .....	1
11	102658301	Cap, Oil Filler .....	1
12	102658401	Pin A, Dowel, 8 X 14 .....	2
13	102658501	Washer, Drain Plug, M14 .....	1
14	102658601	Bolt, Drain Plug , M14 .....	1
15	102658701	Bolt, Flange Head, M8 X 1.25 X 50 .....	9
16	102658901	Cover, Oil Filter .....	1
17	102659001	Cover Assembly, Oil Pump .....	1
18	102659101	Rotor, Oil Pump, Outer .....	1
19	102659201	Spring, Relief Valve .....	1
20	102659301	Ball, Steel , 3/8, #12 .....	1
21	102659401	Bolt, Socket .....	2
22	102659501	Bolt, Flange Head, M6 X 1 X 20 .....	3
23	102724701	Screen, Oil Filter .....	1

**8**

**G**

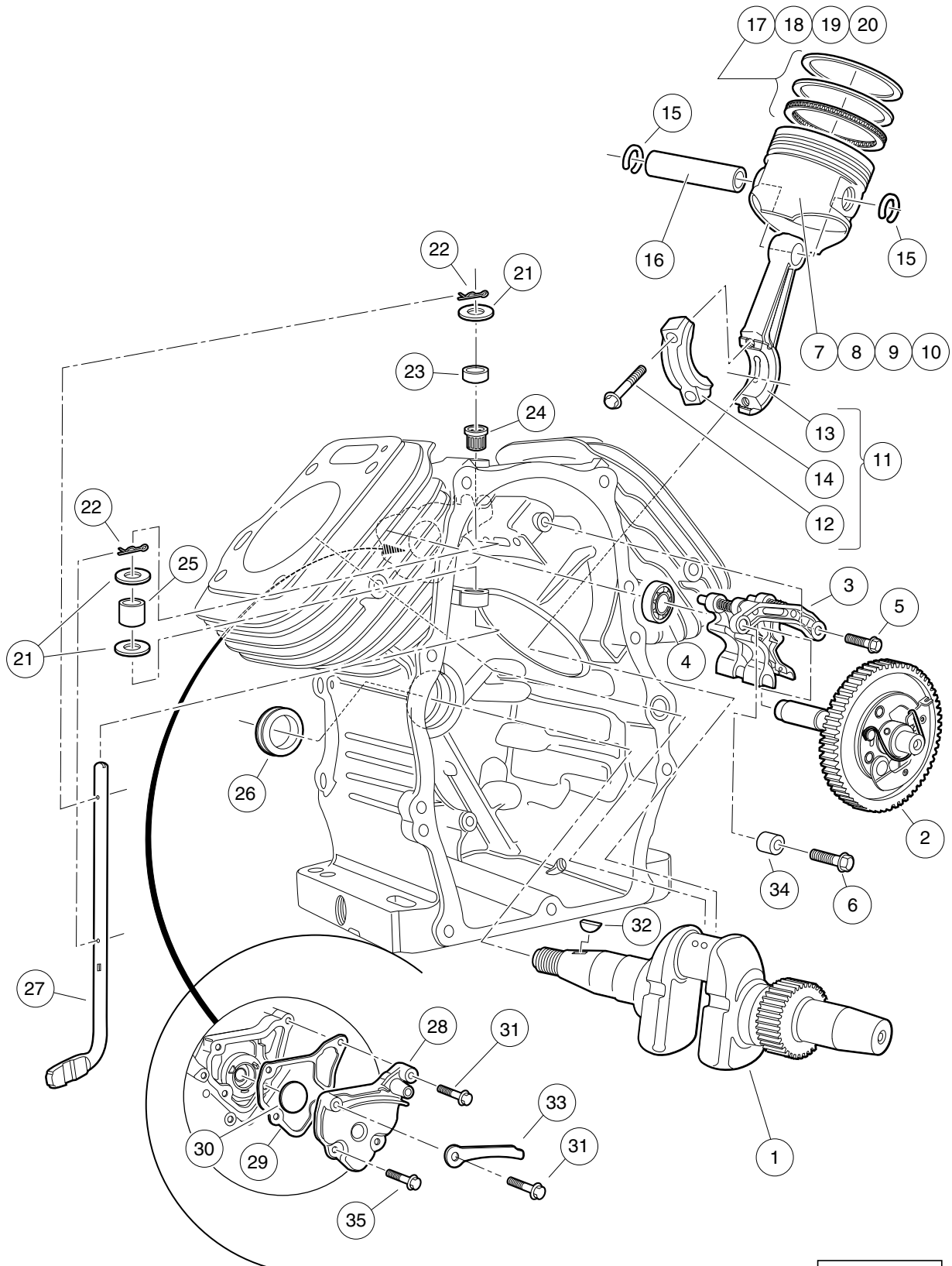


000013-001

# CYLINDER HEAD

ITEM	PART NO.	DESCRIPTION	QTY
		<b>1 2 3 4</b>	
1	102657601	Gasket, Intake Manifold .....	2
2	102657701	Manifold, Inlet .....	1
3	102657801	Bolt, Socket, M8 X 1.25 X 45 .....	4
4	102662101	Cover, Head .....	1
5	N/A	Cover, Head Filler .....	1
6	102662201	Gasket, Cylinder Head Cover .....	2
7	102662301	Bolt, Head Cover .....	2
8	102662401	Washer, Head Cover .....	2
9	102662601	Bolt, Flange Head, M10 X 1.5 X 80 .....	8
10	102662701	Bolt, Stud, M8x22 .....	4
11	102662801	Cylinder Head, #2 .....	1
12	102662802	Cylinder Head, #1 .....	1
13	102662901	Plate, Push Rod Guide .....	2
14	102663001	Pivot, Rocker Arm .....	4
15	102663101	Arm, Valve Rocker .....	4
16	102663201	Bolt, Pivot, M8 .....	4
17	102663301	Nut, Pivot Adj .....	4
18	102663401	Valve, Ex .....	2
19	102663501	Valve, In .....	2
20	102663801	Rod, Push .....	4
21	102663901	Retainer, In Valve Spring .....	2
22	102664001	Spring, Valve .....	4
23	102664101	Seal, Valve Stem .....	2
24	102664301	Gasket, Cylinder Head .....	2
25	102664401	Pin A, Dowel ,12 X 20 .....	4
26	102722701	Retainer, Ex Valve Spring .....	2
27	102722801	Seat, Valve Spring .....	2
28	102722901	Rotator, Valve .....	2
29	AM1232301	Spark Plug, BPR2ES .....	2

**8**  
**G**



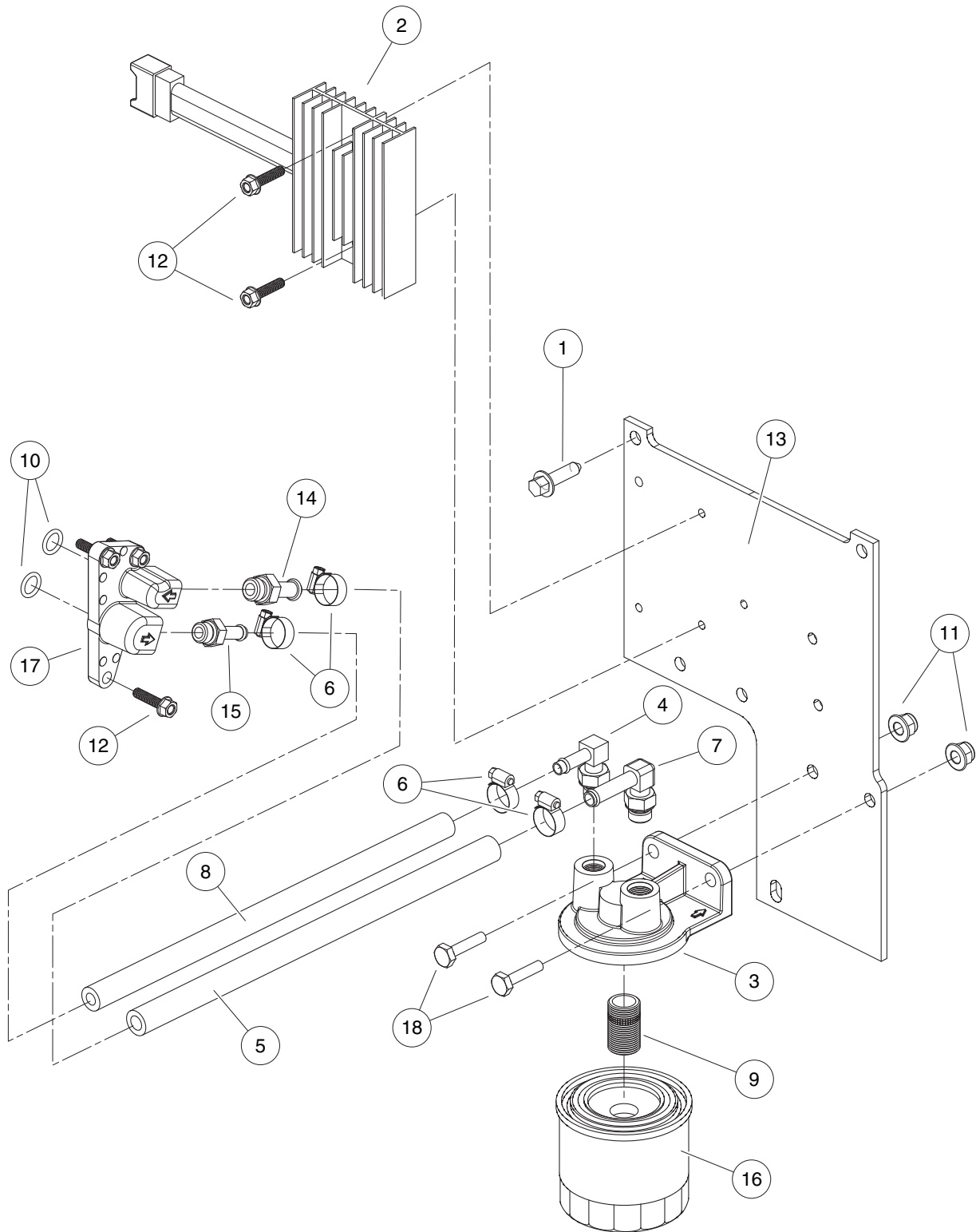
000023-001

# CRANKCASE AND CRANKSHAFT

ITEM	PART NO.	DESCRIPTION	QTY
		<b>1 2 3 4</b>	
1	102659801	Crankshaft .....	1
2	102659901	Camshaft Assembly .....	1
3	102660001	Lifter Assembly, Valve .....	1
4	102660101	Bearing, Radial Ball, 6003 .....	1
5	102660201	Bolt, Flange Head, M5 X 1 X 16 .....	1
6	102660301	Bolt, Flange Head, M6 X 1 X 25 .....	1
7	102660401	Piston, Std .....	2
8	102660402	Piston, Over-Sized 0.25 .....	2
9	102660403	Piston, Over-Sized 0.50 .....	2
10	102660404	Piston, 0.75 .....	2
11	102660501	Rod Assy., Connecting (includes items 12 through 14) .....	2
12	102660901	Bolt, Connecting Rod, 6 X 37 .....	2
13	N/A	Connecting Rod .....	1
14	N/A	Cap, Connecting Rod .....	1
15	102660601	Clip, Piston Pin, 18mm .....	4
16	102660701	Pin, Piston .....	2
17	102660801	Ring Set, Piston, Std .....	2
18	102660802	Ring Set, Piston, OS 0.25 .....	2
19	102660803	Ring Set, Piston, OS 0.50 .....	2
20	102660804	Ring Set, Piston, OS 0.75 .....	2
21	102661001	Washer, Plain, M8 .....	3
22	102661101	Pin, Lock, 8 Mm .....	2
23	102661201	Bearing, Needle, 8 X 12.7 X 11 .....	1
24	102661202	Oil Seal, 8 X 14 X 5 .....	1
25	102661301	Bearing, Needle, 8 X 12 X 10 .....	1
26	102661401	Oil Seal, 38 X 58 X 9 .....	1
27	102661501	Shaft, Governor Arm .....	1
28	102661601	Cover, Breather .....	1
29	102661701	Gasket, Breather Cover .....	1
30	102661801	Valve, Breather .....	1
31	102661901	Bolt, Flange Head, M6 X 1 X 32 .....	2
32	102664901	Key, Special Woodruff, 25 X 18 .....	1
33	102668201	Clamp, Wire .....	1
34	102725101	Pin A, Dowel .....	1
35	102725201	Bolt, Flange Head, 6 X 16 .....	1

**8**

**G**



000083-001



## OIL FILTER ADAPTER AND VOLTAGE REGULATOR

ITEM	PART NO.	DESCRIPTION	QTY
		<b>1 2 3 4</b>	
1	102289001	Screw, M8X1.25X30, Hex .....	3
2	102331401	Regulator, Voltage .....	1
3	102371401	Bracket, Oil Filter Mount .....	1
4	102434801	Adapter, 90, 5/16 Tube .....	1
5	102443501	Hose, 3/8, Remote Oil, Honda .....	1
6	102443601	Clamp, Hose .....	4
7	102457501	Adapter, 90, 3/8 Tube .....	1
8	102457601	Hose, 5/16, Remote Oil, Honda .....	1
9	102475301	Nipple, M20, Remote Oil .....	1
10	102490401	O-ring 11.8 X 2.4 .....	2
11	102618601	Lock Nut, Flg M8 X 1.25 Nylon .....	2
12	102670801	Screw, M6 X 1 X 25 Thd Form .....	5
13	102710301	Plate, Fuel/Oil System .....	1
14	102721901	Adapter, 3/8 Hose .....	1
15	102722001	Adapter, 5/16 Hose .....	1
16	102827901	Filter, Oil, Honda Service .....	1
17	102849401	Adapter, Oil Filter, Honda Eng .....	1
18	96705587	Bolt, M8 X 1.25 X 30 .....	2

**8**  
**G**

8

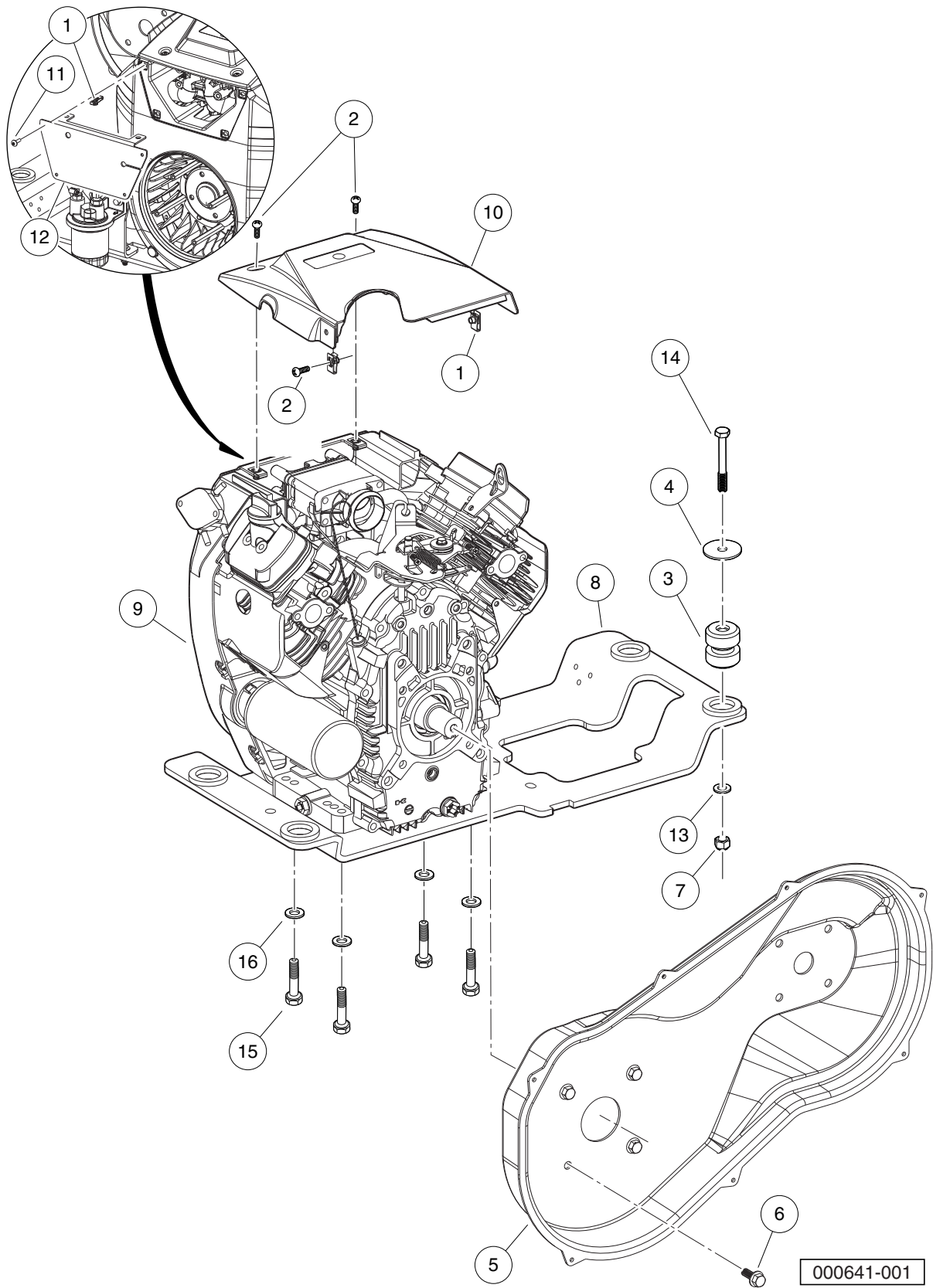
G

# KAWASAKI FH680D GASOLINE ENGINE

---

9

G

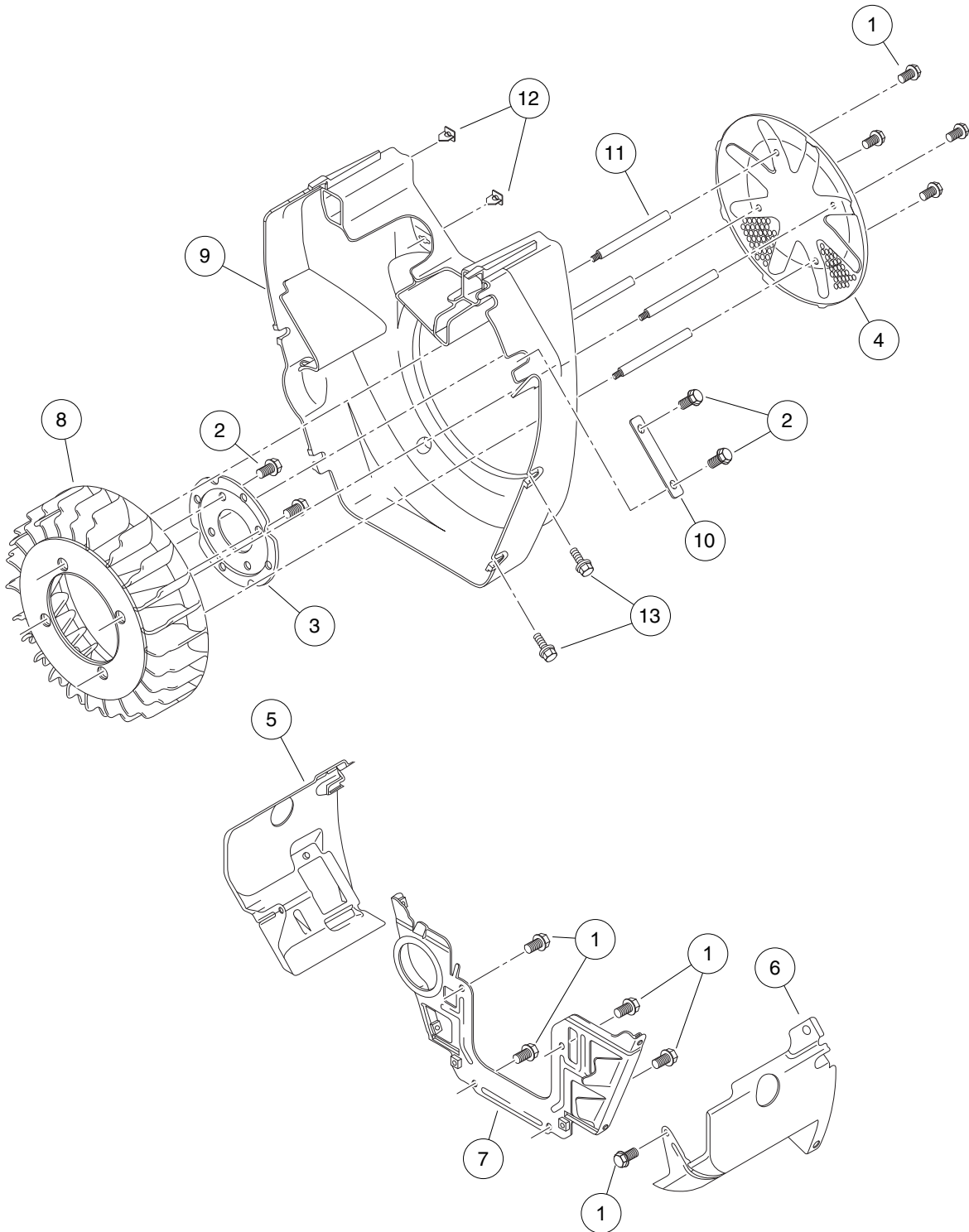


000641-001

# KAWASAKI FH680D GASOLINE ENGINE MOUNTING

ITEM	PART NO.	DESCRIPTION	QTY
		1 2 3 4	
1	102296601	U-nut, M6-1.0 Prev Torque .....	4
2	102296920	Screw, M6 Torx Bttm Hd Sems .....	4
3	102370501	Isolator Ring and Bushing .....	4
4	102370601	Washer, Snubbing, Ring N Bush .....	4
5	N/A	Cover, CVT Inner, FH680D .....	1
6	102491001	Bolt Flanged Head, 3/8-16x1.0 with Loctite .....	4
7	102740401	Locknut, M12x1.75 Nylon Insert .....	4
8	102951901	Weldment, Eng Mnt, Kaw, Fh680d .....	1
9	102960201	Engine, Kawasaki, FH680D .....	1
10	103262901	Cover, Engine, Top .....	1
11	103279201	Screw, Pn Hd Blk, 10-16 X .625 .....	4
12	103332201	Cover, Engine, Frt, Fh680d .....	1
13	96701412	Washer, M12 Hard .....	4
14	96704721	Bolt, M12 X 1.75 X 90 .....	4
15	96704960	Bolt, M10 X 1.5 X 60 .....	4
16	96741046	Washer, M10 Hard .....	4

9  
G

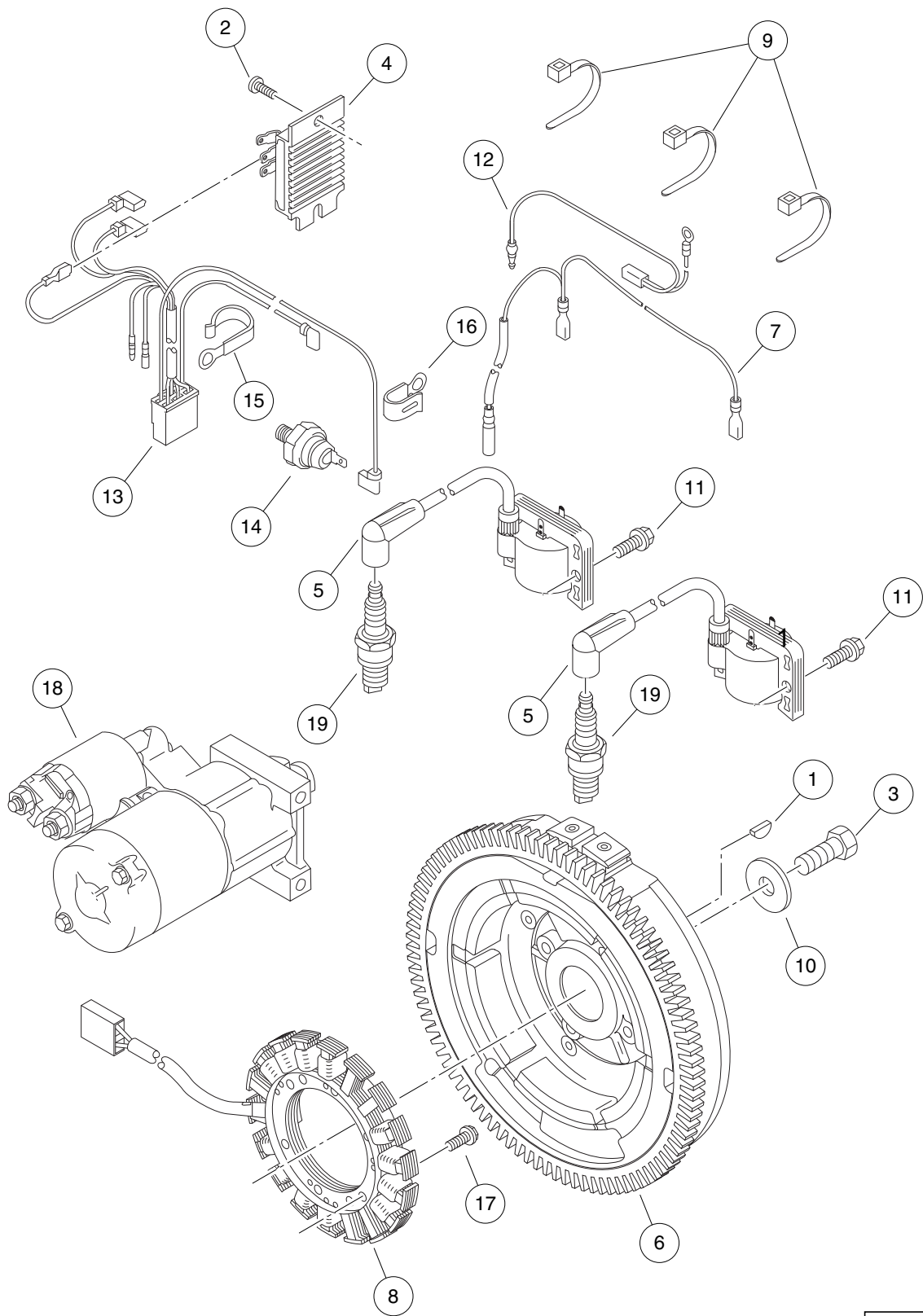


000625-001

# SHROUDS AND BRACKETS

ITEM	PART NO.	DESCRIPTION	QTY
		1 2 3 4	
1	102992401	Bolt, Flg, M6 X 1.0 X 12 .....	9
2	102992501	Bolt, Flg, M6 X 1.0 X 16 .....	4
3	102998601	Plate, Housing, Fan, Fh .....	1
4	102998701	Screen, Fan, Fh .....	1
5	102999101	Shroud, Engine, Rh, Fh .....	1
6	102999201	Shroud, Engine, Lh, Fh .....	1
7	102999301	Shroud, Engine, Front, Fh .....	1
8	102999501	Fan, Cooling, Fh .....	1
9	102999601	Housing, Engine, Fh .....	1
10	103000001	Washer, Housing, Fan, Fh .....	1
11	103299301	Stud, Fan Screen, Fh .....	4
12	103299401	Nut, Press In, Front Cover, Fh .....	4
13	103300301	Bolt, Oil Pickup, Fh .....	4

9  
G



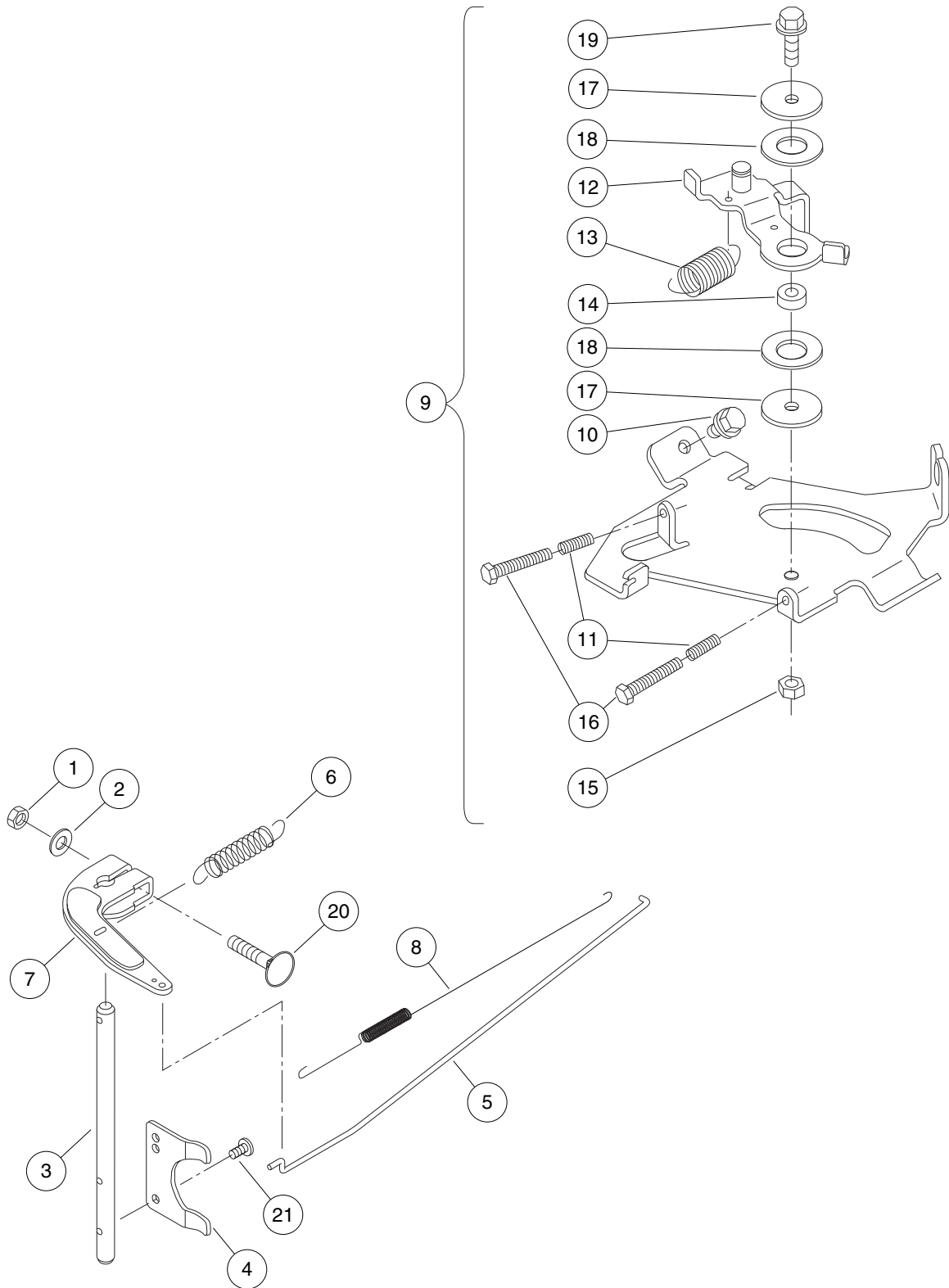
000626-001



## IGNITION COMPONENTS AND FLYWHEEL

ITEM	PART NO.	DESCRIPTION	QTY
		1 2 3 4	
1	1012871	Key .....	1
2	1016544	Screw .....	1
3	102994301	Bolt, Flg, M12 X 1.25 X 30 .....	1
4	103000401	Regulator, Voltage, Fh .....	1
5	103000501	Asm, Coil, Ignition, Fh .....	2
6	103000601	Flywheel, Assy, Fh .....	1
7	103000801	Harness, Regulator, Fh .....	1
8	103000901	Coil, Charging, Fh .....	1
9	103001301	Band, Harness, Fh .....	3
10	103001501	Washer, Flywheel, Fh .....	1
11	103298501	Bolt, Flanged, M6 X 20, Kaw .....	4
12	103299501	Harness, Ignition, Fh .....	1
13	103299601	Harness, Engine, Main, Fh .....	1
14	103299701	Switch, Oil Pressure, Fh .....	1
15	103299801	Clamp, Harness, Large, Fh .....	1
16	103299901	Clamp, Harness, Small, Fh .....	1
17	103300101	Screw, Pan, Coil Mount, Fh .....	4
18	103345501	Starter, Electric, Fh680d .....	1
19	AM1232301	Spark Plug, BPR2ES .....	2

**9**  
**G**



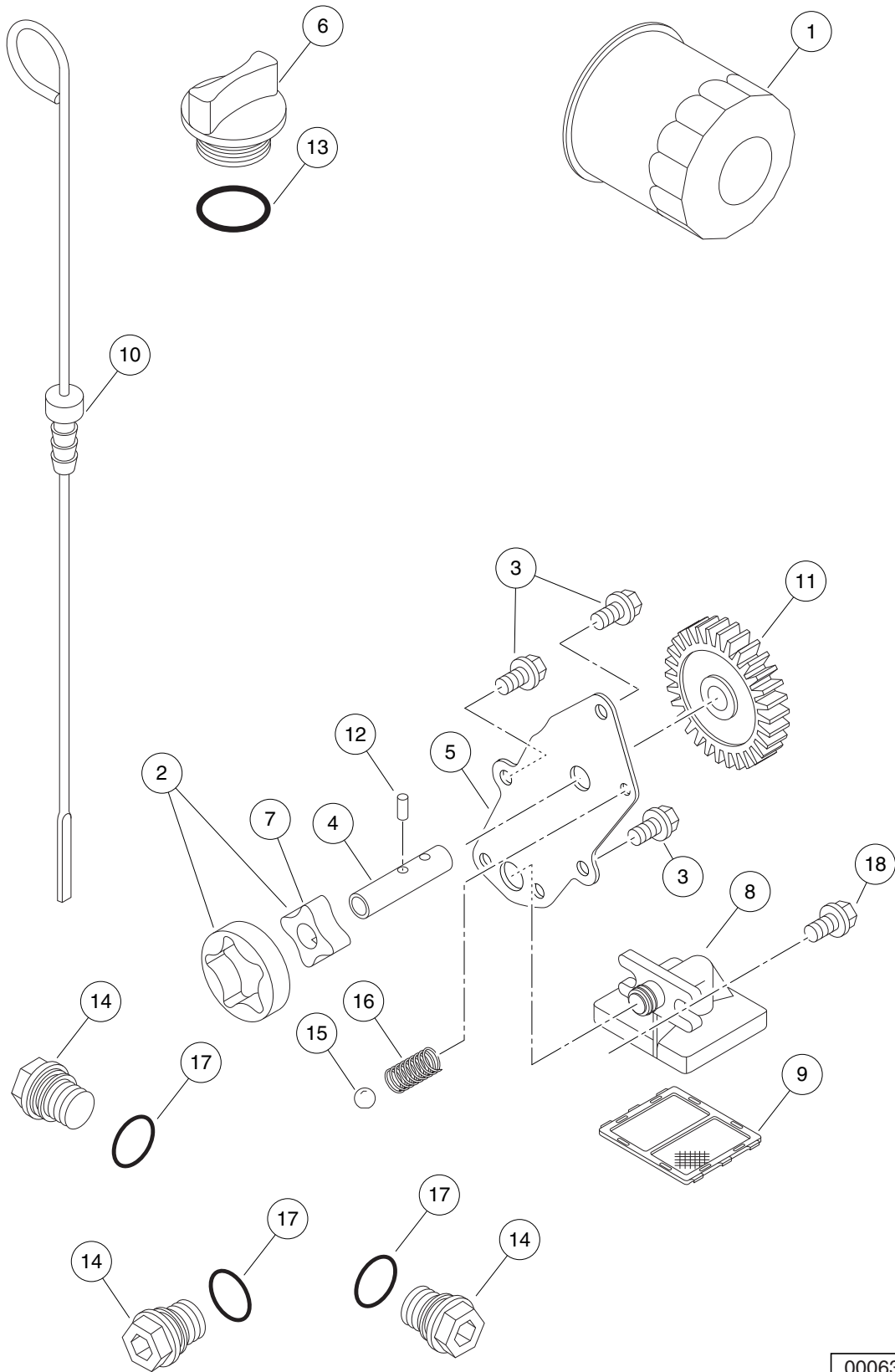
000636-001

# GOVERNOR ARM AND SPRINGS

ITEM	PART NO.	DESCRIPTION	QTY
		1 2 3 4	
1	1012919	Nut -6mm- .....	1
2	1016513	Washer, M6 Flat .....	1
3	103002001	Shaft, Governor, Fh .....	1
4	103002101	Plate, Governor, Fh .....	1
5	103002301	Link, Arm, Governor, Fh .....	1
6	103002401	Spring, Governor, Fh .....	1
7	103002501	Arm, Governor, Shaft .....	1
8	103002901	Spring, Arm, Governor, Fh .....	1
9	103297701	Panel, Control, Complete, Fh (includes items 10 through 19) .....	1
10	102992401	Bolt, Flg, M6 X 1.0 X 12 .....	2
11	103002801	Spring, Fh .....	2
12	103297401	Lever, Governor, Control, Fh .....	1
13	103297501	Spring, Governor Return, Fh .....	1
14	103297601	Collar, Governor, Fh .....	1
15	103297801	Nut, Governor, Fh .....	1
16	103298001	Bolt, Speed Control, Fh .....	2
17	103298201	Washer, Governor, Lower, Fh .....	2
18	103298301	Washer, Governor, Middle, Fh .....	2
19	103298501	Bolt, Flanged, M6 X 20, Kaw .....	1
20	103298101	Bolt, M6 X 35, Kawasaki .....	1
21	103298601	Screw, Pan, Governor, Fh .....	2

**9**

**G**



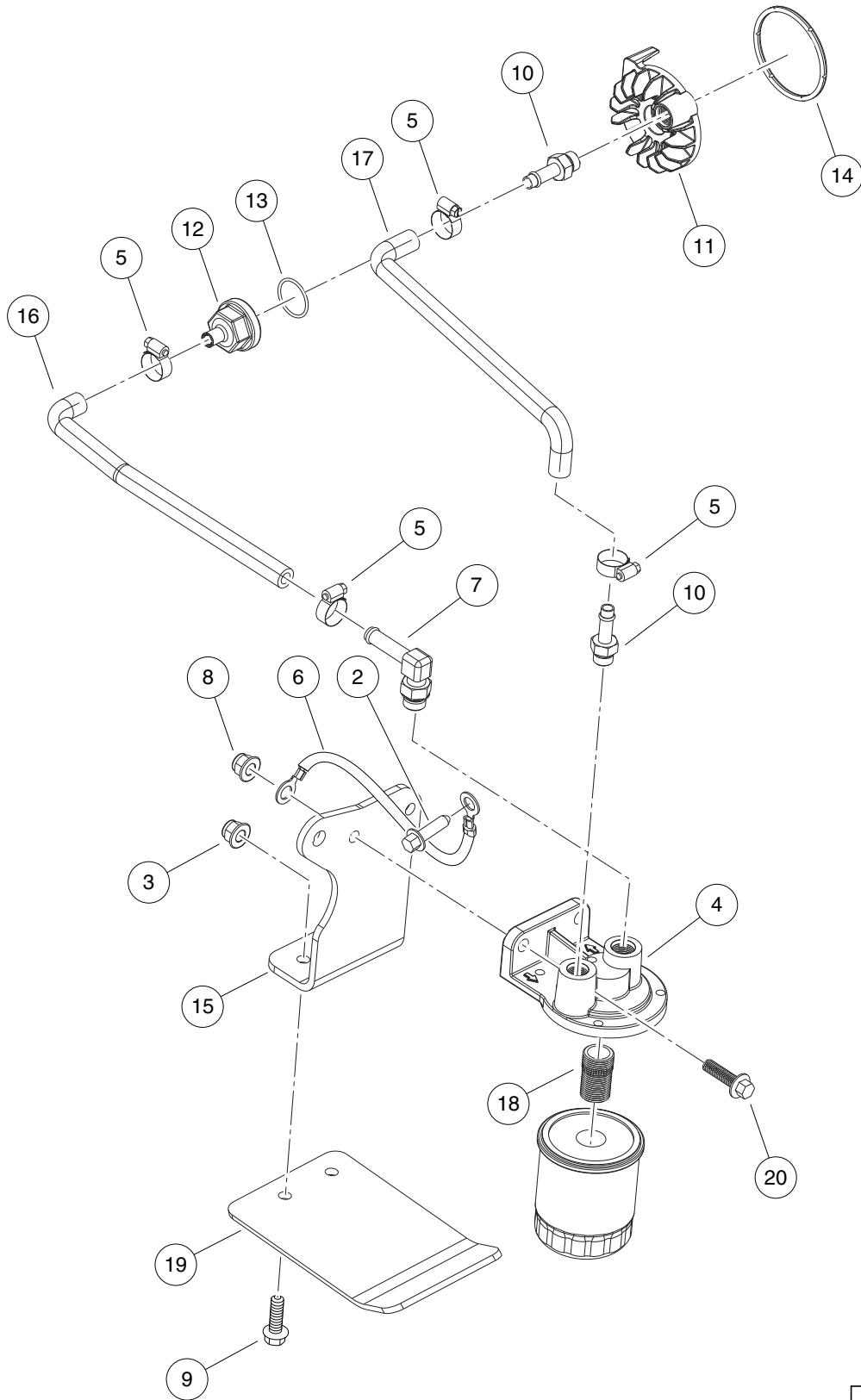
000637-001

# OIL AND LUBRICATION COMPONENTS

ITEM	PART NO.	DESCRIPTION	QTY
		1 2 3 4	
1	1016467	Filter, Oil .....	1
2	101648203	Oil Pump And Rotor .....	1
3	102992401	Bolt, Flg, M6 X 1.0 X 12 .....	3
4	102996901	Shaft, Oil Pump, Fh .....	1
5	102997001	Plate, Oil Pump, Fh .....	1
6	102997101	Cap, Oil, Fill, Fh .....	1
7	102997201	Rotor, Pump, Oil, In, Fh .....	1
8	102997401	Pickup, Oil, Fh .....	1
9	102997601	Screen, Pickup, Oil, Fh .....	1
10	102997701	Gauge, Oil, Fh .....	1
11	102997801	Gear, Spur, Oil Pump, Fh .....	1
12	102997901	Pin, Oil Pump, Fh .....	2
13	102998001	O-ring, Cap, Oil, Fill, Fh .....	1
14	102998101	Plug, Oil Drain, Fh .....	3
15	102998201	Ball, Oil Pump, Fh .....	1
16	102998301	Spring, Oil Pump, Fh .....	1
17	102998401	O-ring, Drain Plug, Oil, Fh .....	3
18	103300301	Bolt, Oil Pickup, Fh .....	2
		Note: Item 2 contains item 7.	

9

G



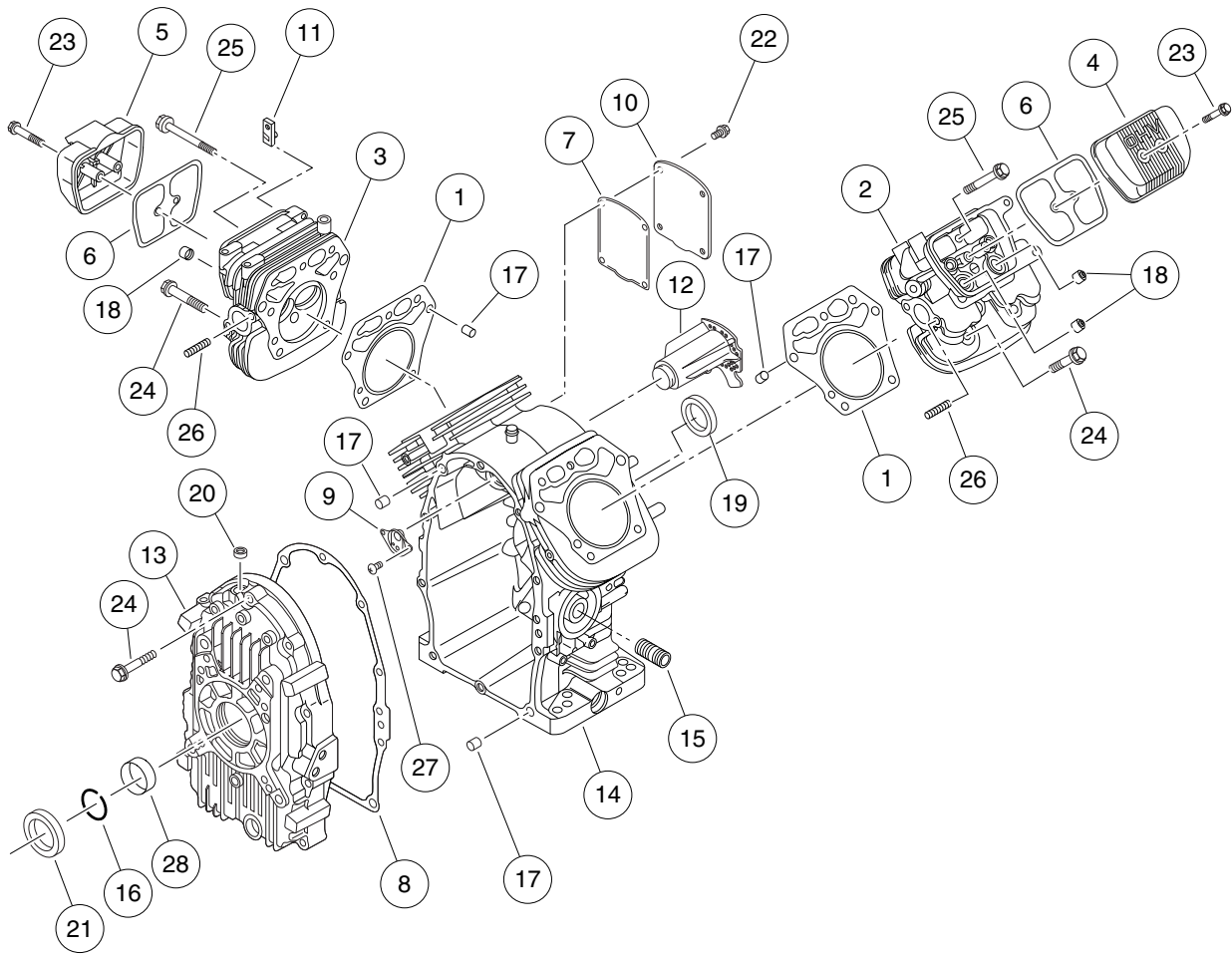
000671-001

# OIL FILTER ADAPTER

ITEM	PART NO.	DESCRIPTION	QTY
		1 2 3 4	
1	N/A	Instl, Oil Fltr Adapter Fh680d (includes items 2 through 20) .....	1
2	102289001	Screw, M8X1.25X30, Hex .....	1
3	102298401	Nut,m8,all Metal Lock .....	2
4	102371401	Bracket, Oil Filter Mount .....	1
5	102443601	Clamp, Hose .....	4
6	102448501	Wire Asm, #6 Blk, Awd, 325 .....	1
7	102457501	Adapter, 90, 3/8 Tube .....	1
8	102618601	Lock Nut, Flg M8 X 1.25 Nylon .....	2
9	102621301	Bolt, M8 X 1.25 X 40 with Loctite .....	2
10	102722001	Adapter, 5/16 Hose .....	2
11	102958301	Adapter, Special, Oil Filter .....	1
12	102958401	Nut, Special, Hose Adapter .....	1
13	102958501	O-ring, 23.52 X 1.78mm .....	1
14	102958601	O-ring, Oil Filter Adapter .....	1
15	103197201	Bracket, Oil Filter, Fh680d .....	1
16	103240601	Hose, Formed, Oil, 5/16" .....	1
17	103246901	Hose, Formed, Oil, 5/16", Ret .....	1
18	103276201	Nipple, 3/4-16 X M20 X 1.5-6g .....	1
19	103326401	Guard, Oil Filter, Fh680d .....	1
20	96705587	Bolt, M8 X 1.25 X 30 .....	2

**9**

**G**



000638-001

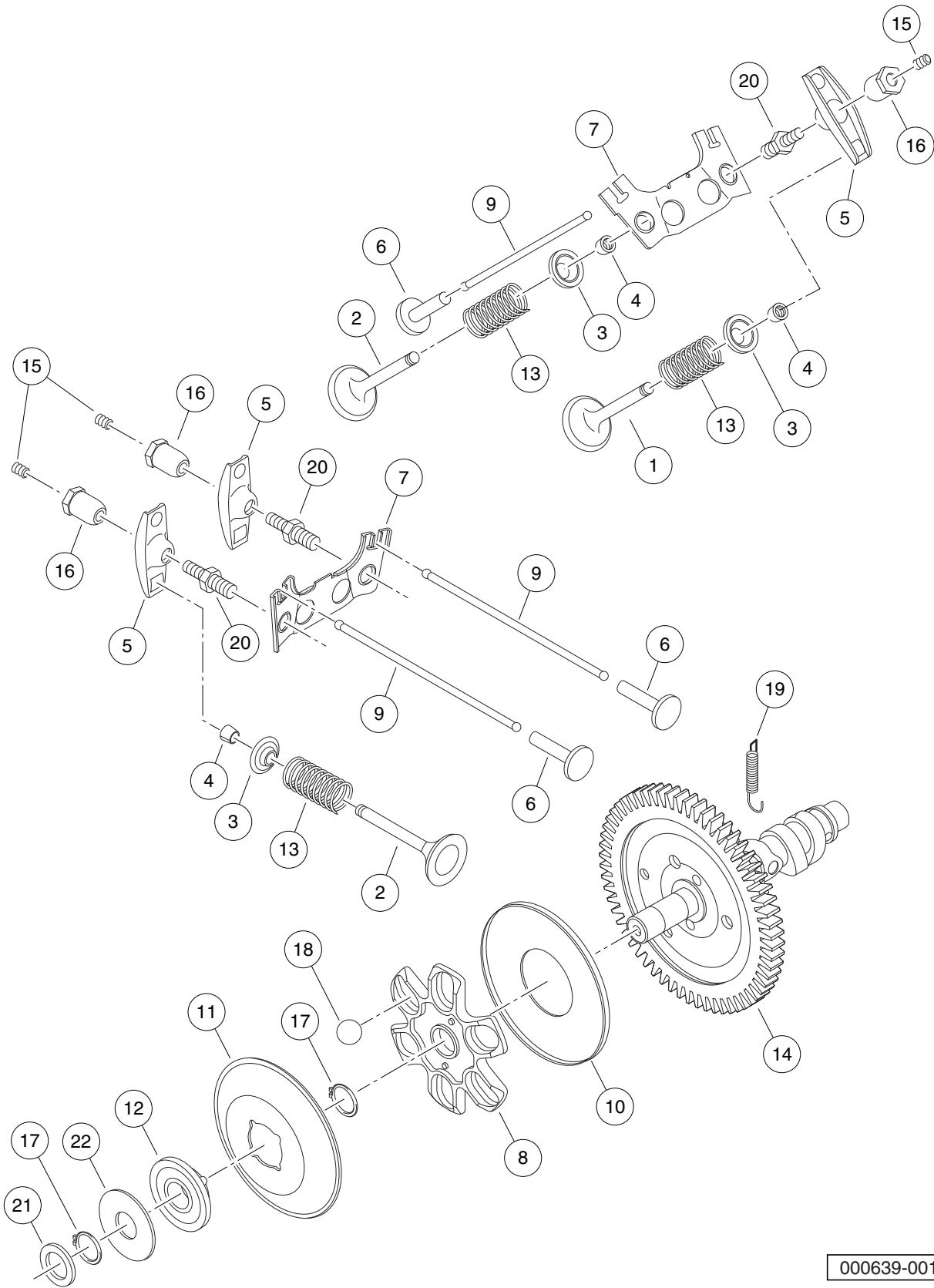


# CYLINDER HEAD AND CRANKCASE

ITEM	PART NO.	DESCRIPTION	QTY
		1 2 3 4	
1	102990101	Gasket, Head, Cyl, Fh .....	2
2	102990201	Head, Cyld 1, Fh .....	1
3	102990301	Head, Cyld 2, Fh .....	1
4	102990401	Cover, Rocker, Cyld 1, Fh .....	1
5	102990501	Cover, Rocker, Cyld 2, Fh .....	1
6	102990601	Gasket, Rocker, Cover, FH .....	2
7	102990701	Gasket, Breather, Fh .....	1
8	102990801	Gasket, Cover, Crank, Fh .....	1
9	102990901	Valve, Assy, Reed, Fh .....	1
10	102991101	Cover, Crkcase, Comp, Fh .....	1
11	102991201	Pipe, Head, Comp, Clyd, Fh .....	1
12	102991301	Pipe, Crkcase, Comp, Fh .....	1
13	102991401	Cover, Crankcase, Fh .....	1
14	102991501	Crankcase, Comp, Fh .....	1
15	102991601	Nipple, Oil Filter, Fh .....	1
16	102991801	Ring, Snap, Fh .....	1
17	102991901	Pin, Head, Fh .....	6
18	102992001	Seal, Oil, Valve, Fh .....	4
19	102992101	Seal, Oil, Crank, Rear, Fh .....	1
20	102992201	Seal, Oil, Governor, Fh .....	1
21	102992301	Seal, Oil, Crank, Front, Fh .....	1
22	102992401	Bolt, Flg, M6 X 1.0 X 12 .....	4
23	102992601	Bolt, Flg, M6 X 1.0 X 40 .....	4
24	102992701	Bolt, Flg, M8 X 1.25 X 50 .....	18
25	102992801	Bolt, Flg, M8 X 1.25 X 75 .....	2
26	102992901	Stud, M8 X 1.25, Exhaust, Fh .....	4
27	103298601	Screw, Pan, Governor, Fh .....	2
28	103298901	Bushing, Main, Fh .....	1

**9**

**G**



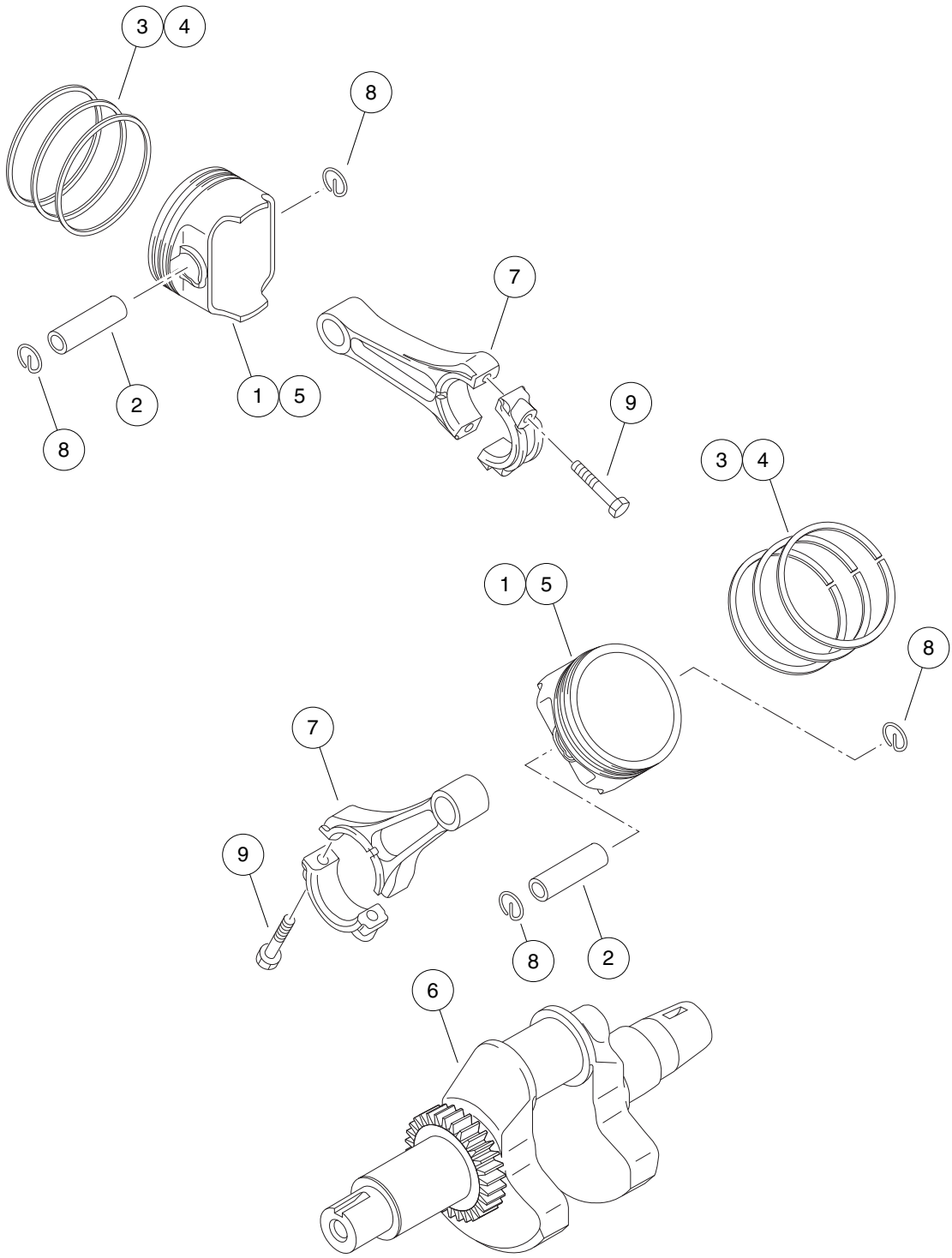
000639-001

# VALVES AND CAMSHAFT

ITEM	PART NO.	DESCRIPTION	QTY
		1 2 3 4	
1	102994601	Valve, Intake, Fh .....	2
2	102994701	Valve, Exhaust, Fh .....	2
3	102994801	Retainer, Valve Spring, Fh .....	4
4	102994901	Collet, Spring, Valve, Fh .....	8
5	102995001	Arm, Rocker .....	4
6	102995101	Tappet, Rod, Push, Fh .....	4
7	102995201	Guide, Arm, Rocker, Fh .....	2
8	102995301	Guide, Camshaft, Gov, Fh .....	1
9	102995401	Rod, Push, Fh .....	4
10	102995501	Plate, Camshaft, Gov, Fh .....	1
11	102995601	Plate, Ring, Gov, Fh .....	1
12	102995701	Sleeve, Plate, Gov, Fh .....	1
13	102995801	Spring, Valve, Fh .....	4
14	102995901	Kit, Camshaft, Comp, Fh .....	1
15	102996001	Screw, Rocker Arm, Fh .....	4
16	102996101	Nut, Arm, Rocker, Fh .....	4
17	102996201	Ring, Snap, Gov, Fh .....	2
18	102996301	Ball, Guide, Gov, Fh .....	6
19	102996401	Spring, Camshaft, Fh .....	1
20	102996501	Stud, Rocker Arm, Fh .....	4
21	102996601	Washer, Sleeve, Gov, Fh .....	1
22	102996701	Washer, Gov, Fh .....	1

**9**

**G**



000640-001

## PISTONS AND CRANKSHAFT

ITEM	PART NO.	DESCRIPTION	QTY
		<b>1 2 3 4</b>	
1	102993201	Piston, Engine, Right, Fh .....	2
2	102993301	Pin, Piston, Engine, Fh .....	2
3	102993401	Ring, Set, Piston, Fh .....	2
4	102993501	Ring, Set, Piston L, 0.50, Fh .....	1
5	102993601	Piston, Engine L, 0.50, Fh .....	1
6	102993701	Crankshaft, Comp, Fh .....	1
7	102993901	Kit, Rod, Connecting, Fh .....	2
8	102994101	Ring, Snap, Pin, Piston, Fh .....	4
9	102994401	Bolt, Flg, M6 X 1.00 X 35 .....	4

**9**

**G**

9

G

# FUEL, INTAKE, & GOVERNOR SYSTEM

---

10

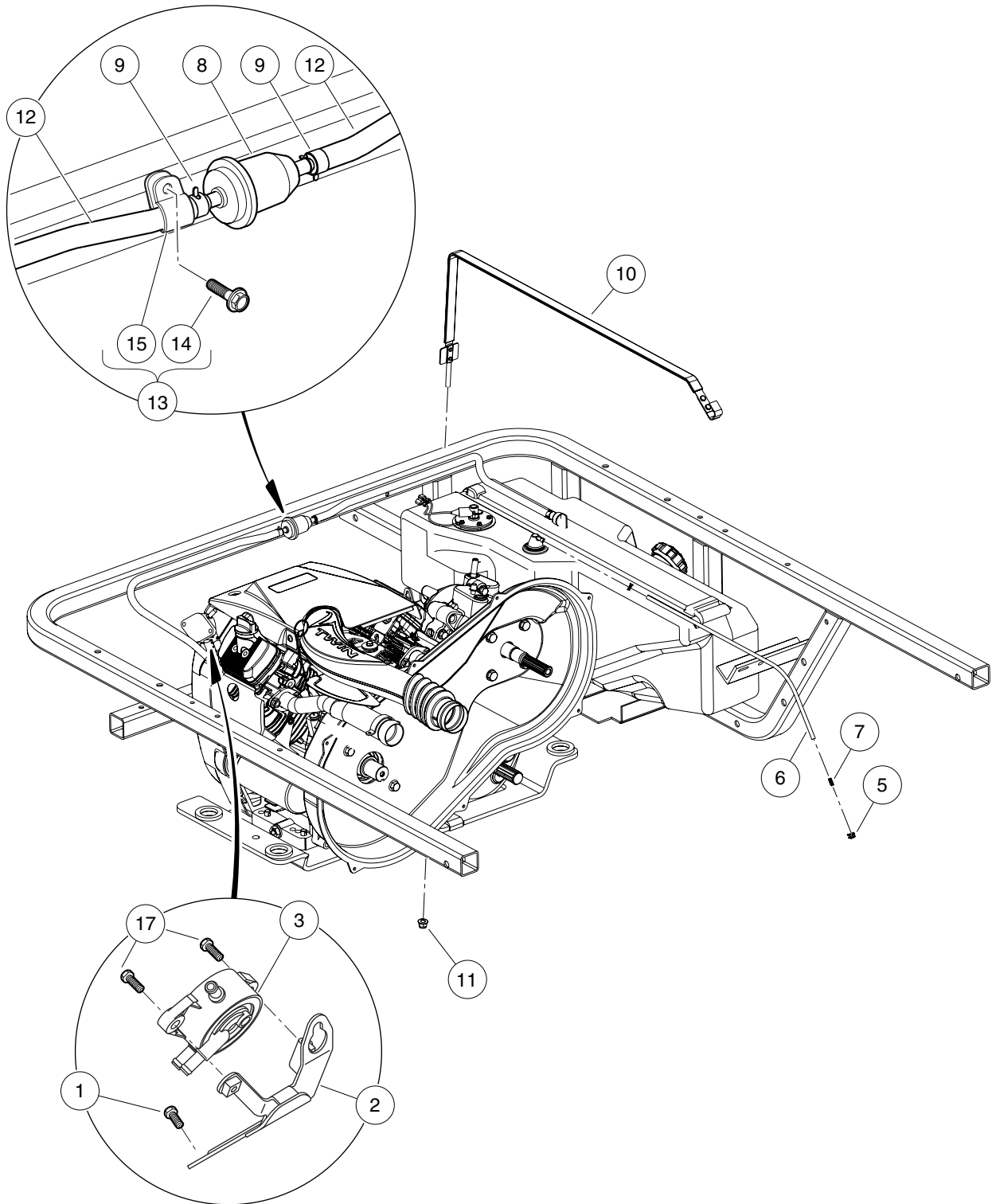
G

D

**10**

**G**

**D**



000672-002



## FUEL SYSTEM – KAWASAKI GASOLINE VEHICLES

ITEM	PART NO.	DESCRIPTION	QTY
		1 2 3 4	
1	102992501	Bolt, Flg, M6 X 1.0 X 16 .....	1
2	103009901	Bracket, Fuel Pump, Fh .....	1
3	103010101	Pump, Fuel, Impulse, Fh .....	1
4	N/A	Instl, Fuel System, Fh680d (includes items 5 through 13) .....	1
5	1013746	Clamp, 0.301 ID Hose .....	2
6	101587703	Hose, Fuel, Vent, 22" Long .....	1
7	101824401	Vent Barb .....	1
8	102003201	Filter, Fuel, 30 Micron .....	1
9	102411202	Clamp, Hose, Ctb 13mm .....	4
10	102426301	Strap, Tank, Fuel .....	1
11	102618601	Lock Nut, Flg M8 X 1.25 Nylon .....	1
12	102865101	Fuel Line .....	1
13	103387501	Kit, Fuel Line Clamp, 4x4 Khi (includes items 14 through 16) .....	1
14	102289001	Screw, M8X1.25X30, Hex .....	1
15	102410604	P-clamp, Insulated 0.625 In .....	1
16	N/A	Instr, Kit Fuel Line 4x4 Khi .....	1
17	103298501	Bolt, Flanged, M6 X 20, Kaw .....	2

**10**

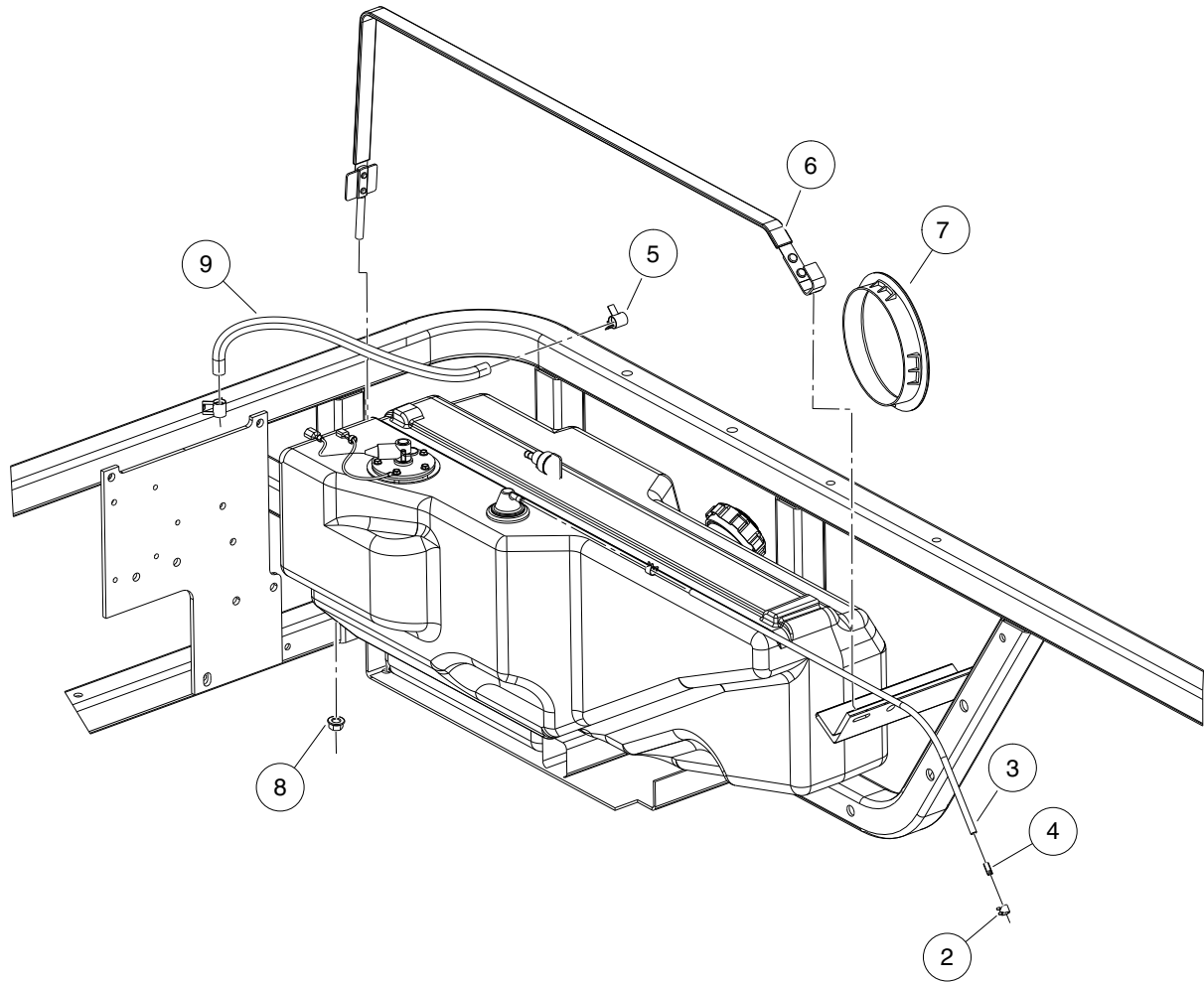
**G**

**D**

10

G

D



000081-004

## FUEL SYSTEM – HONDA GASOLINE VEHICLES

ITEM	PART NO.	DESCRIPTION	QTY
		1 2 3 4	
1	N/A	Instl, Fuel System, Honda (includes items 2 through 9) .....	1
2	1013746	Clamp, 0.301 ID Hose .....	2
3	101587703	Hose, Fuel, Vent, 22" Long .....	1
4	101824401	Vent Barb .....	1
5	102411202	Clamp, Hose, Ctb 13mm .....	2
6	102426301	Strap, Tank, Fuel .....	1
7	102466201	Bezel, Fuel Fill .....	1
8	102618601	Lock Nut, Flg M8 X 1.25 Nylon .....	1
9	103307901	Hose, Tank To Filter, Fh680d .....	1

10

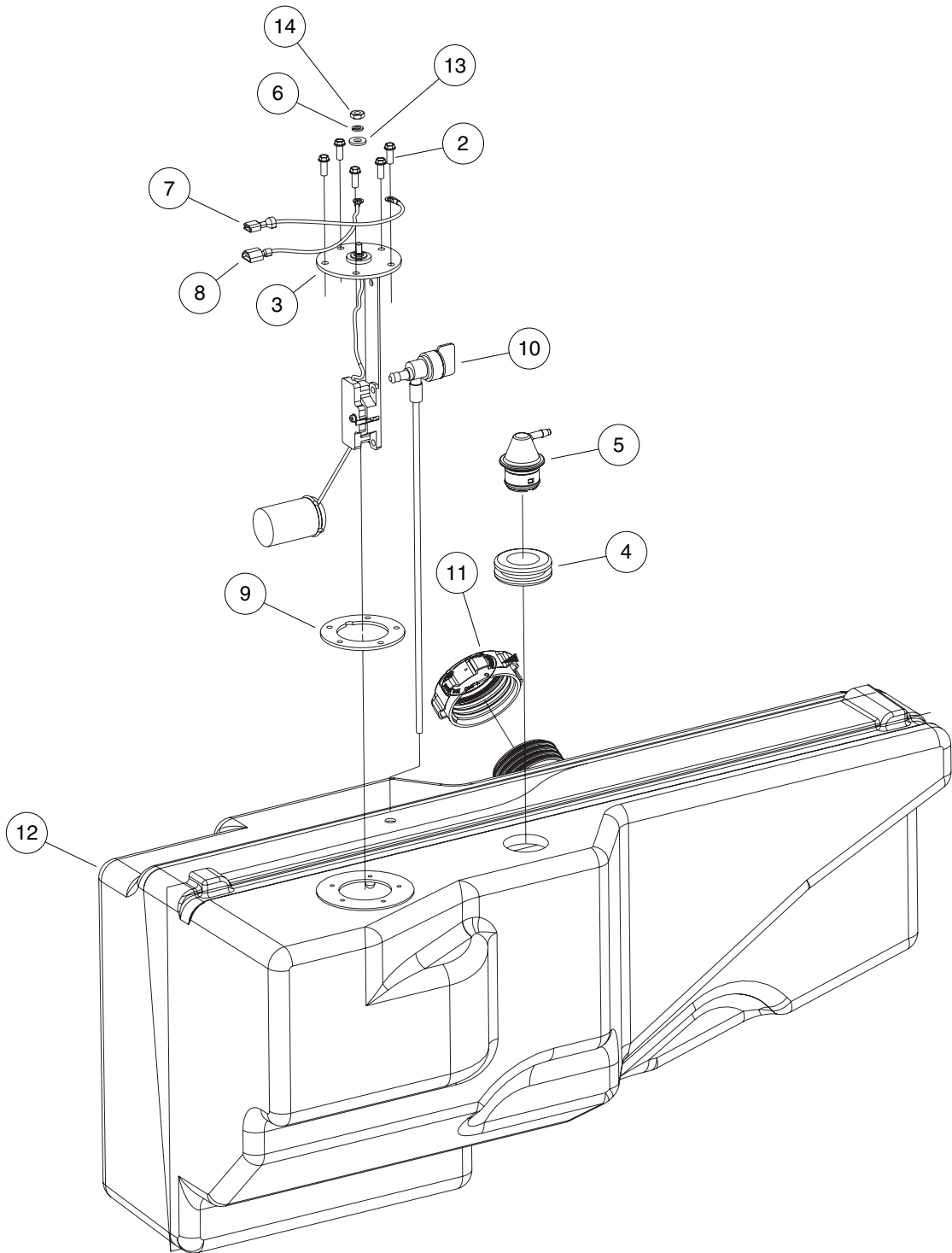
G

D

10

G

D



000082-004

## FUEL TANK – GASOLINE VEHICLES

ITEM	PART NO.	DESCRIPTION	QTY
		1 2 3 4	
1	102952102	Asm, Tank, Fuel, Gas, 4x4 (includes items 2 through 14) .....	1
2	1013461	Screw, #10-16 Hex-Head Hi-Lo .....	5
3	1013462	Sending Unit, Fuel Level * .....	1
4	1015139	Insulation Grommet .....	1
5	1015143	Vent, Fuel Tank .....	1
6	1016	Lockwasher, #10 Split .....	1
7	N/A	Wire Asm, Blk, 170mm .....	1
8	N/A	Wire Asm, Org, 170mm .....	1
9	102522001	Gasket, Rubber .....	1
10	102670901	Valve, Pickup Tube, Fuel .....	1
11	102751601	Cap, Fuel Tank, Gasoline .....	1
12	N/A	Tank, Fuel, Gas, 4x4 .....	1
13	183	Washer, #10 Type A Flat .....	1
14	8797	Nut, #10-32 Brass Hex .....	1
		* Note: Must replace fuel sending unit gasket when servicing this component.	

10

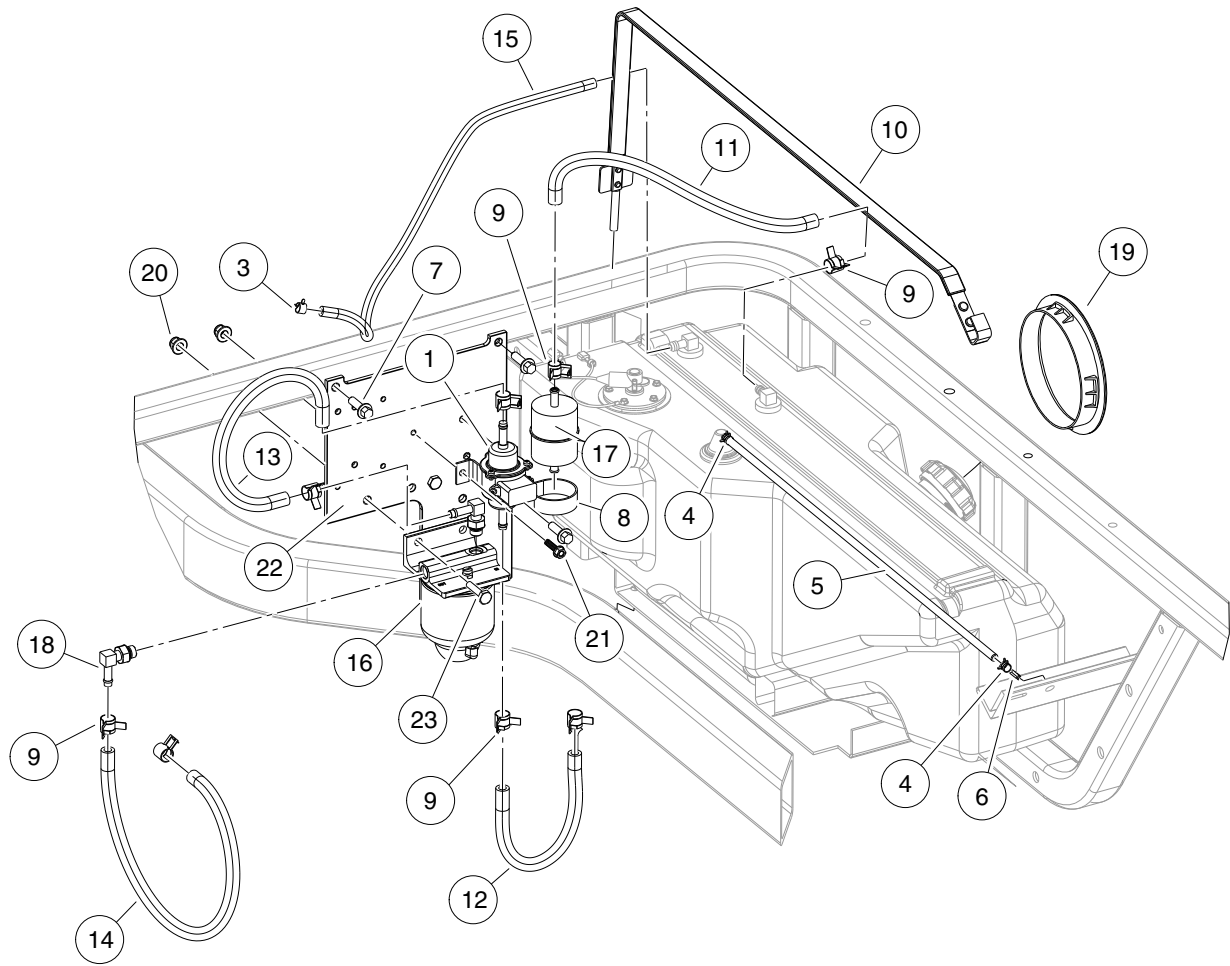
G

D

10

G

D



000081-003

## FUEL SYSTEM – DIESEL

ITEM	PART NO.	DESCRIPTION	QTY
		1 2 3 4	
1	102410801	Pump, Diesel Fuel Electric .....	1
2	N/A	Asm, Fuel System, Kubota (includes items 3 through 23) .....	1
3	101313402	Clamp, Green Hose .....	1
4	1013746	Clamp, 0.301 ID Hose .....	2
5	101587703	Hose, Fuel, Vent, 22" Long .....	1
6	101824401	Vent Barb .....	1
7	102289001	Screw, M8X1.25X30, Hex .....	5
8	102410602	P-Clamp, Insulated 1.75 In .....	1
9	102411203	Clamp, Hose, Ctb 14mm .....	6
10	102426301	Strap, Tank, Fuel .....	1
11	102430001	Hose, Tank To Prefilter Diesel .....	1
12	102430101	Hose, Fuel Prefilter To Pump .....	1
13	102430201	Hose, Fuel Pump To Filter .....	1
14	102430301	Hose, Fuel Filter To Eng .....	1
15	102430401	Hose, Fuel Return .....	1
16	102434601	Filter Assy, Fuel .....	1
17	102434701	Filter, Fuel .....	1
18	102434801	Adapter, 90, 5/16 Tube .....	2
19	102466201	Bezel, Fuel Fill .....	1
20	102618601	Lock Nut, Flg M8 X 1.25 Nylon .....	3
21	102670801	Screw, M6 X 1 X 25 Thd Form .....	1
22	102710301	Plate, Fuel/Oil System .....	1
23	96705587	Bolt, M8 X 1.25 X 30 .....	2

10

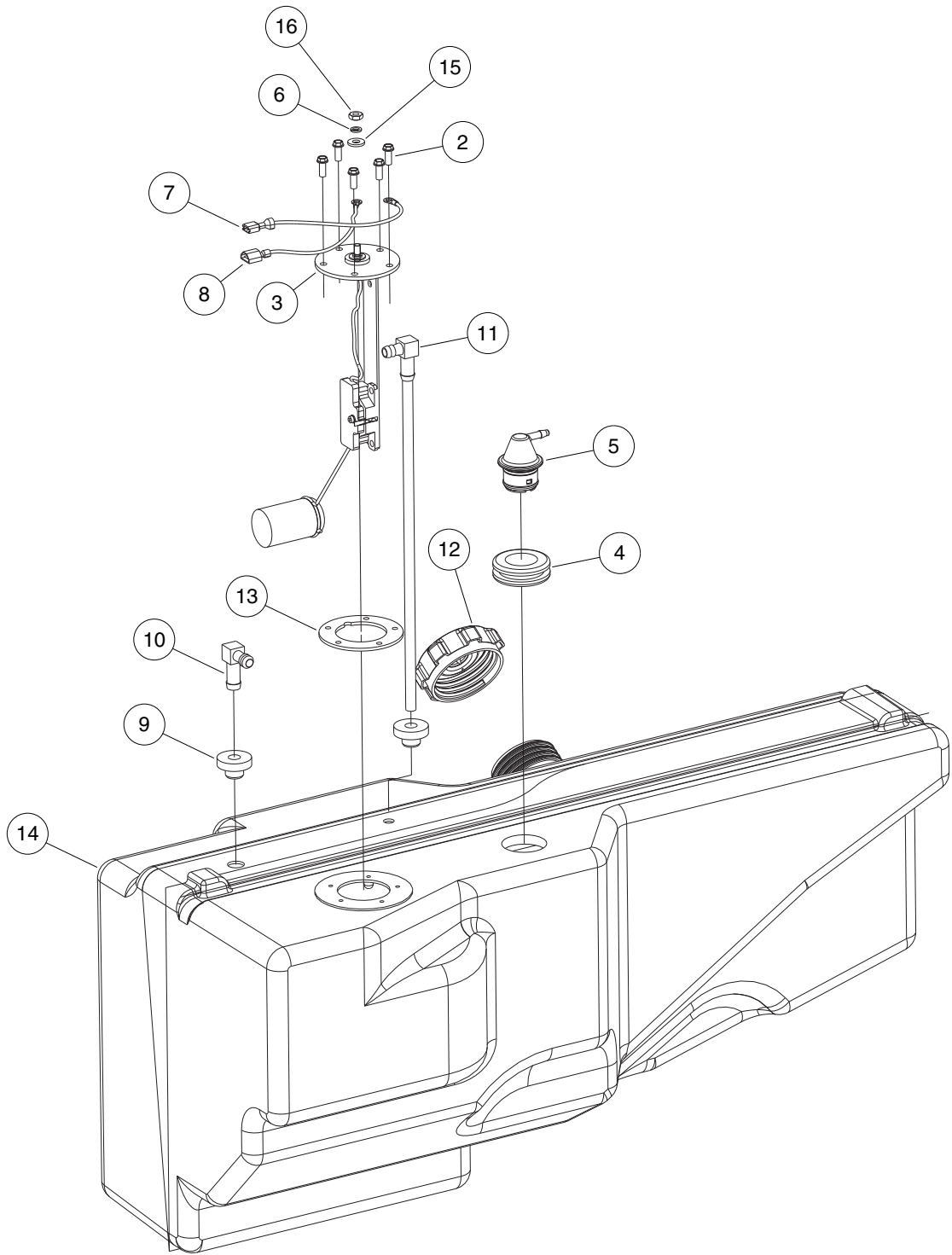
G

D

10

G

D



000082-005



## FUEL TANK – DIESEL VEHICLES

ITEM	PART NO.	DESCRIPTION	QTY
		1 2 3 4	
1	102952101	Asm, Tank, Fuel, Diesel, 4x4 (includes items 2 through 16) .....	1
2	1013461	Screw, #10-16 Hex-Head Hi-Lo .....	5
3	1013462	Sending Unit, Fuel Level * .....	1
4	1015139	Insulation Grommet .....	1
5	1015143	Vent, Fuel Tank .....	1
6	1016	Lockwasher, #10 Split .....	1
7	N/A	Wire Asm, Blk, 170mm .....	1
8	N/A	Wire Asm, Org, 170mm .....	1
9	102406701	Bushing, Line, Return .....	2
10	102406801	Elbow, 90 Barbed .....	1
11	102478501	Pickup Tube, Fuel .....	1
12	102494701	Cap, Fuel (Diesel) .....	1
13	102522001	Gasket, Rubber .....	1
14	N/A	Tank, Fuel, Diesel, 4x4 .....	1
15	183	Washer, #10 Type A Flat .....	1
16	8797	Nut, #10-32 Brass Hex .....	1
		* Note: Must replace fuel sending unit gasket when servicing this component.	

10

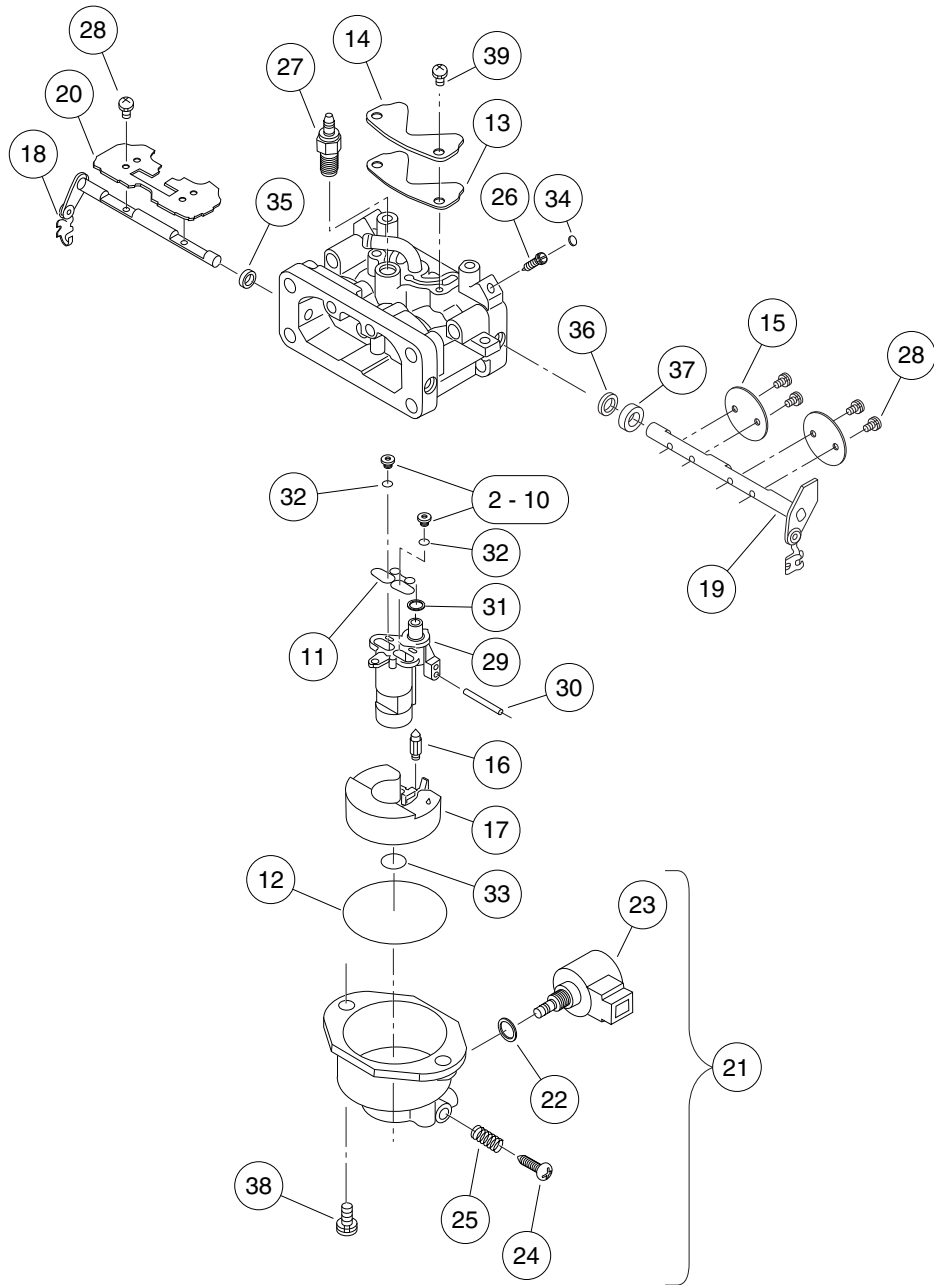
G

D

10

G

D



000673-001

# CARBURETOR ASSEMBLY, KAWASAKI GASOLINE VEHICLES

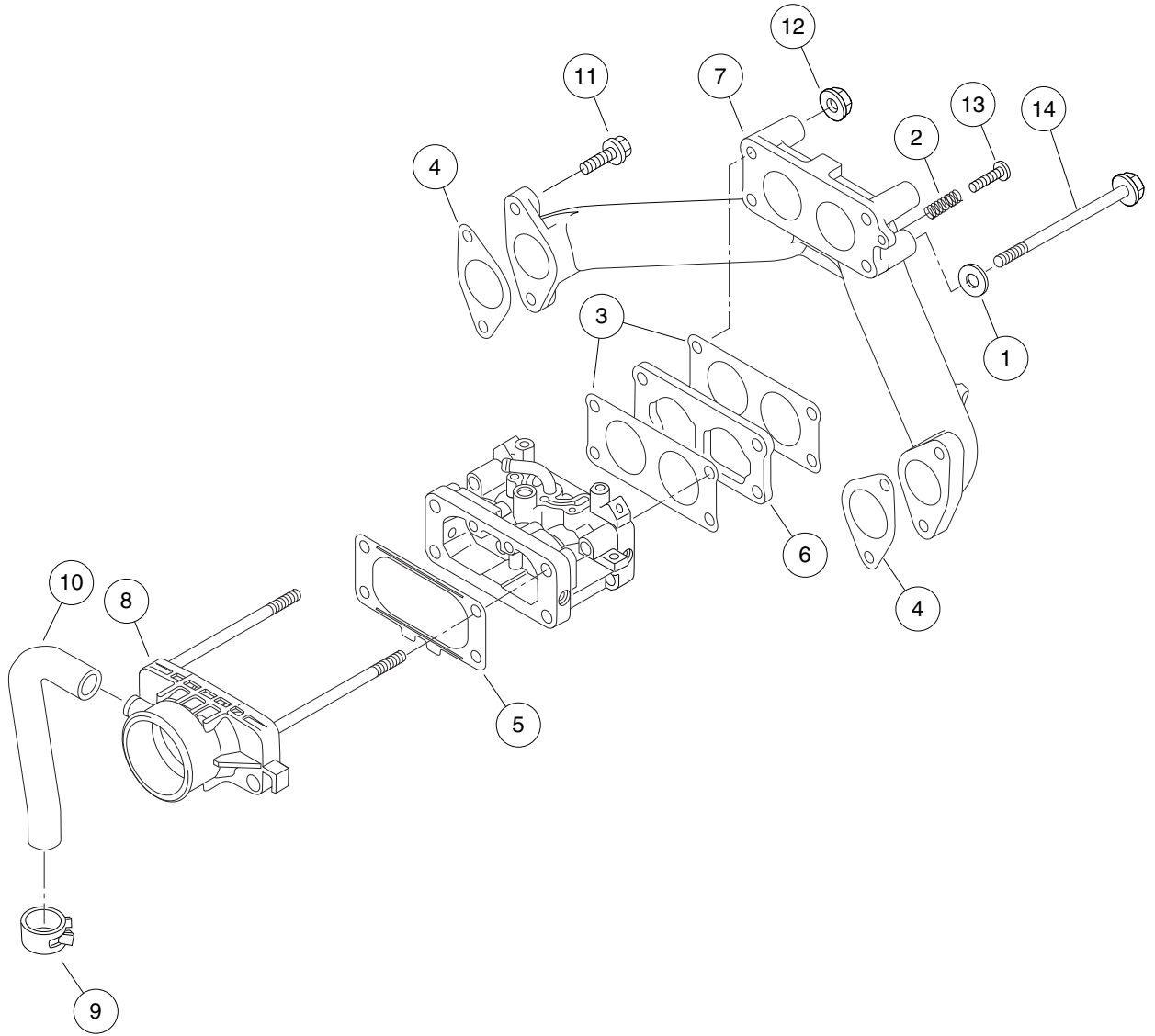
ITEM	PART NO.	DESCRIPTION	QTY
		1 2 3 4	
1	103341001	Asm, Carburetor, Fh680d (includes items 2 through 39) .....	1
2	103307201	Kit, Jet, 6600 Ft +, Fh680d (includes items 3 and 4) .....	1
3	103306801	Jet, Push In #96, FH680D (6600 ft and higher (2000 m and higher)) .....	2
4	N/A	Instructions, Kit, Jet, Push In .....	1
5	103307301	Kit, Jet, 3300-6600 Ft, Fh680d (includes items 6 and 7) .....	1
6	103306901	Jet, Push In #99, FH680D (3300-6600 ft (1000-2000 m)) .....	2
7	N/A	Instructions, Kit, Jet, Push In .....	1
8	103307401	Kit, Jet, 0-3300 Ft, Fh680d (includes items 9 and 10) .....	1
9	103307001	Jet, Push In #102, FH680D (0-3300 ft (0-1000 m)) .....	2
10	N/A	Instructions, Kit, Jet, Push In .....	1
11	103340601	Gasket, Fh680d .....	1
12	103340701	Gasket, Carburetor, Dia. 52 .....	1
13	103340801	Gasket, Cover, Fh680d .....	1
14	103340901	Cover, Slow Passage, Fh680d .....	1
15	103341101	Valve, Throttle, Fh680d .....	2
16	103341201	Valve, Float, Fh680d .....	1
17	103341301	Float, Carburetor, Fh680d .....	1
18	103341401	Shaft, Carburetor, Fh680d .....	1
19	103341501	Shaft, Carburetor, Throttle .....	1
20	103341601	Valve, Carburetor, Fh680d .....	1
21	103341701	Asm, Chamber, Float, Fh680d (includes items 22 through 25) .....	1
22	103340501	Gasket, Carburetor, Fh680d .....	1
23	103341901	Solenoid, Carburetor, Fh680d .....	1
24	103342201	Screw, Drain, Carburetor .....	1
25	103343601	Spring, Carburetor, Fh680d .....	1
26	103341801	Needle, Jet, Fh680d .....	2
27	103342001	Heater, Carburetor, Fh680d .....	1
28	103342101	Screw, Carburetor, M3 X 6 .....	6
29	103342301	Spacer, Carburetor, Fh680d .....	1
30	N/A	Pin, Carburetor, Fh680d .....	1
31	103342501	O-ring, Carburetor, Dia. 6.5 .....	1
32	103342601	O-ring, Carburetor, Fh680d .....	2
33	103342701	O-ring, Carburetor, Dia. 9 .....	1
34	103343301	Plug, Expansion, Carburetor .....	2
35	103343401	Seal, Carburetor, Dia. 5.9 .....	1
36	103343501	Seal, Carburetor, Fh680d .....	1
37	103343701	Collar, Carburetor, Fh680d .....	1
38	103343801	Screw, Carburetor, M5 .....	2
39	103343901	Screw, Carburetor, M4 .....	2

**10**  
**G**  
**D**

10

G

D



000673-002

# CARBURETOR INSTALLATION – KAWASAKI GASOLINE VEHICLES

ITEM	PART NO.	DESCRIPTION	QTY
		<b>1 2 3 4</b>	
1	1016513	Washer, M6 Flat .....	2
2	103002801	Spring, Fh .....	1
3	103003801	Gasket, Carburetor, Fh .....	2
4	103003901	Gasket, Manifold, Fh .....	2
5	103004201	Gasket, Air Filter, Fh .....	1
6	103005001	Insulator, Manifold, Fh .....	1
7	103005601	Manifold, Intake, Fh .....	1
8	103297101	Pipe, Intake Adapter, Fh .....	1
9	103297201	Clamp, Crankcase Vent, Fh .....	1
10	103297301	Tube, Crankcase Vent, Fh .....	1
11	103298501	Bolt, Flanged, M6 X 20, Kaw .....	4
12	103320201	Nut, Carburetor, M6 .....	2
13	103320301	Screw, Carburetor, M4 X 20 .....	1
14	103320401	Bolt, Flg, Carburetor, M6x105 .....	2

**10**

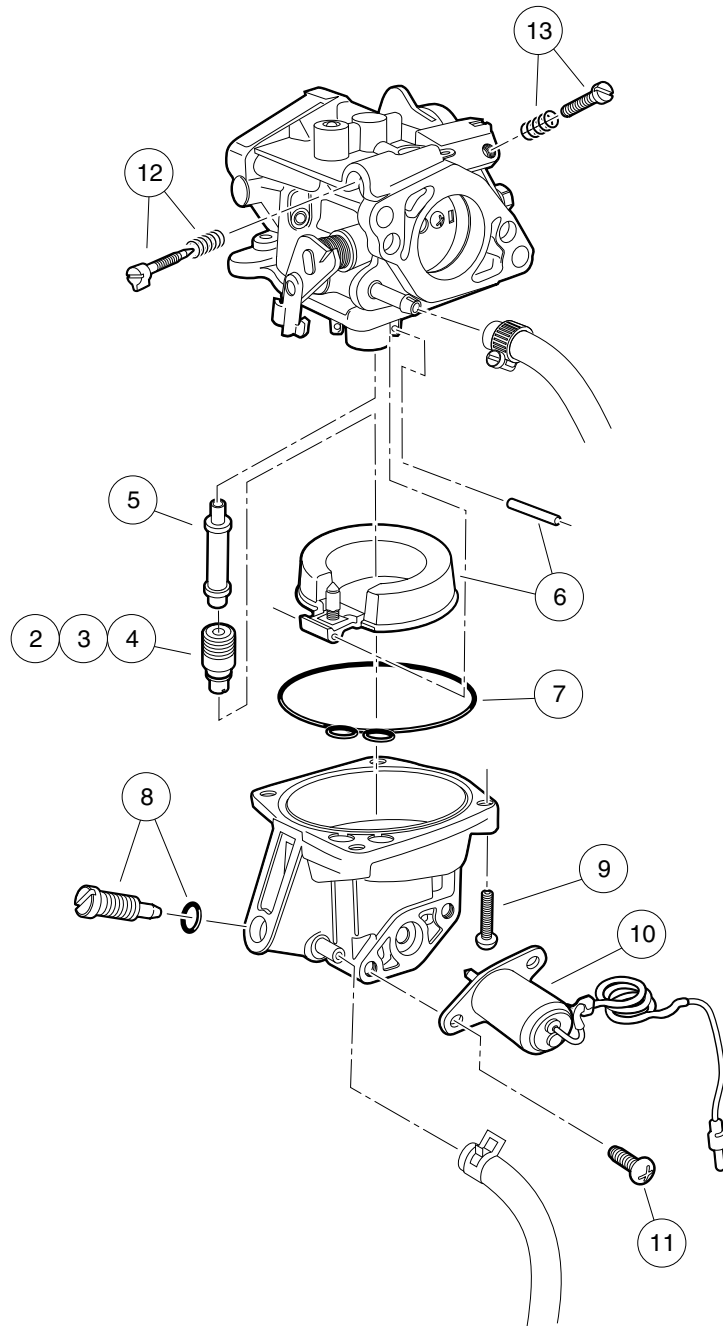
**G**

**D**

10

G

D



000020-001

# CARBURETOR ASSEMBLY, HONDA GASOLINE VEHICLES

ITEM	PART NO.	DESCRIPTION	QTY
		<b>1 2 3 4</b>	
1	103201601	Carburetor, Seal Shaft (includes items 2 through 13) .....	1
2	102623802	Jet, GX620, #102 (8000 ft. and higher (2438 m and higher)) .....	1
3	102623805	Jet, GX620, #105 (5000-8000 ft. (1524-2438 m)) .....	1
4	102623808	Jet, GX620, #108 (0-5000 ft. (0-1524 m)) .....	1
5	102655401	Nozzle, Main .....	1
6	102655501	Float Set .....	1
7	102655601	Gasket Set .....	1
8	102655701	Screw Set, Drain .....	1
9	102655801	Screw-Washer, M4 X 14 .....	4
10	102655901	Valve Assy., Solenoid .....	1
11	102656001	Screw-Washer, M5 X 12 .....	2
12	102724101	Screw Set, Left .....	1
13	102724201	Screw Set, Right .....	1

10

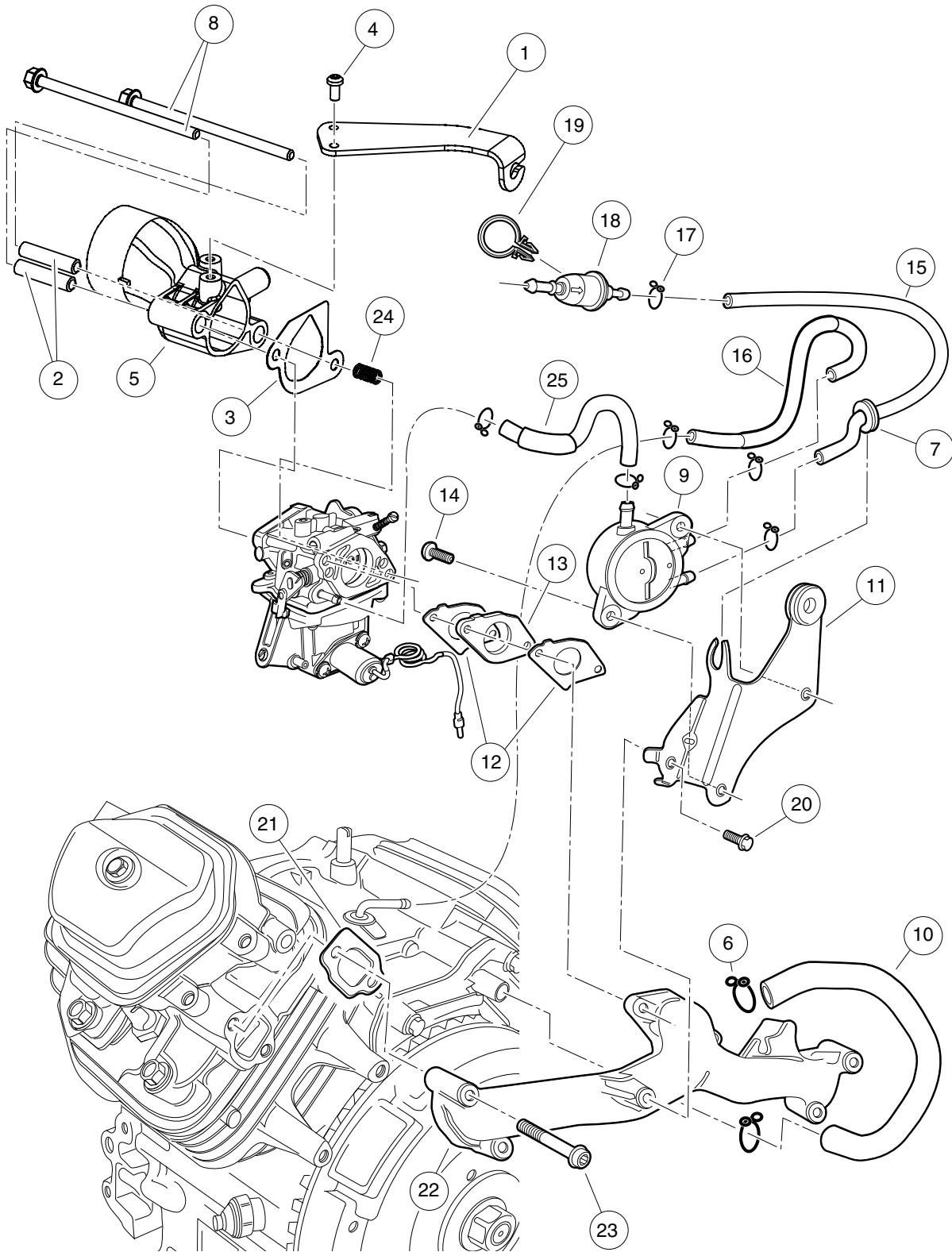
G

D

10

G

D



000021-001



# CARBURETOR INSTALLATION – HONDA GASOLINE VEHICLES

ITEM	PART NO.	DESCRIPTION	QTY
		1 2 3 4	
1	102385801	Bracket, Choke Cable .....	1
2	102462601	Insert, Adapter, Carburetor .....	2
3	102493001	Gasket, Adapter, Carburetor .....	1
4	102617301	Screw Tapping, M5 X 0.8x10 .....	2
5	102620801	Adapter, Intake Honda GX620 .....	1
6	102656101	Clip, Breather Tube .....	1
7	102656201	Grommet, Reserve Tank .....	1
8	102656301	Bolt, Flange Head, M6 X 1 X 120 .....	2
9	102656402	Pump Assy., Fuel, Sup .....	1
10	102656501	Tube, Breather .....	1
11	102656601	Stay, Fuel Pump .....	1
12	102656701	Gasket, Carburetor .....	2
13	102656801	Insulator, Carburetor .....	1
14	102656901	Srew-Washer, M6 X 16 .....	2
15	102657001	Tube B, Fuel .....	1
16	102657101	Tube, Diaphragm .....	1
17	102657201	Clip, Tube, B10 .....	3
18	102657301	Filter, Fuel .....	1
19	102657401	Clip, Wire Harness .....	1
20	102657501	Bolt, Flange Head, M6 X 11 X 4 .....	2
21	102657601	Gasket, Intake Manifold .....	2
22	102657701	Manifold, Inlet .....	1
23	102657801	Bolt, Socket, M8 X 1.25 X 45 .....	4
24	102710501	Spring, Continuity, Solenoid .....	1
25	102725401	Tube A, Fuel .....	1

10

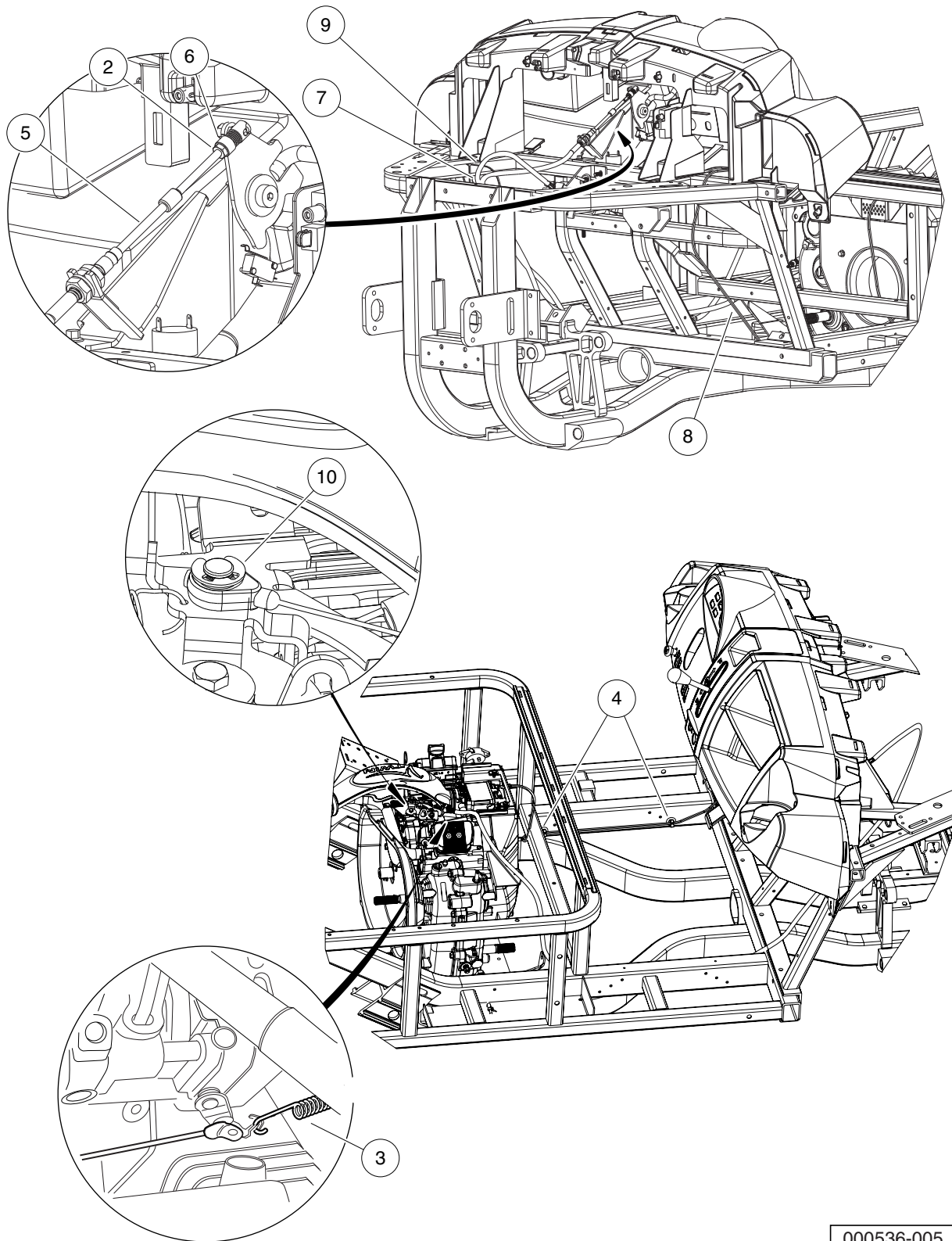
G

D

10

G

D



000536-005

## CABLES – KAWASAKI GASOLINE VEHICLES

ITEM	PART NO.	DESCRIPTION	QTY
		1 2 3 4	
1	N/A	Instl, Cable, Awd, Fh680d (includes items 2 through 10) .....	1
2	1011084	Nut, 1/4-28 Hex Jam .....	2
3	102457001	Spring .....	1
4	102475701	Clip, Brake Line .....	4
5	102495801	Cable, Transmission Shift .....	1
6	102615801	Joint, Ball, .346 Dia .....	2
7	103277301	Cable, Accel, AWD, Gas, FH680D .....	1
8	103277401	Cable, Choke, AWD, FH680D .....	1
9	8990	Tie Wrap, 8" Nylon .....	1
10	96950126	Ring, Retaining .....	1

10

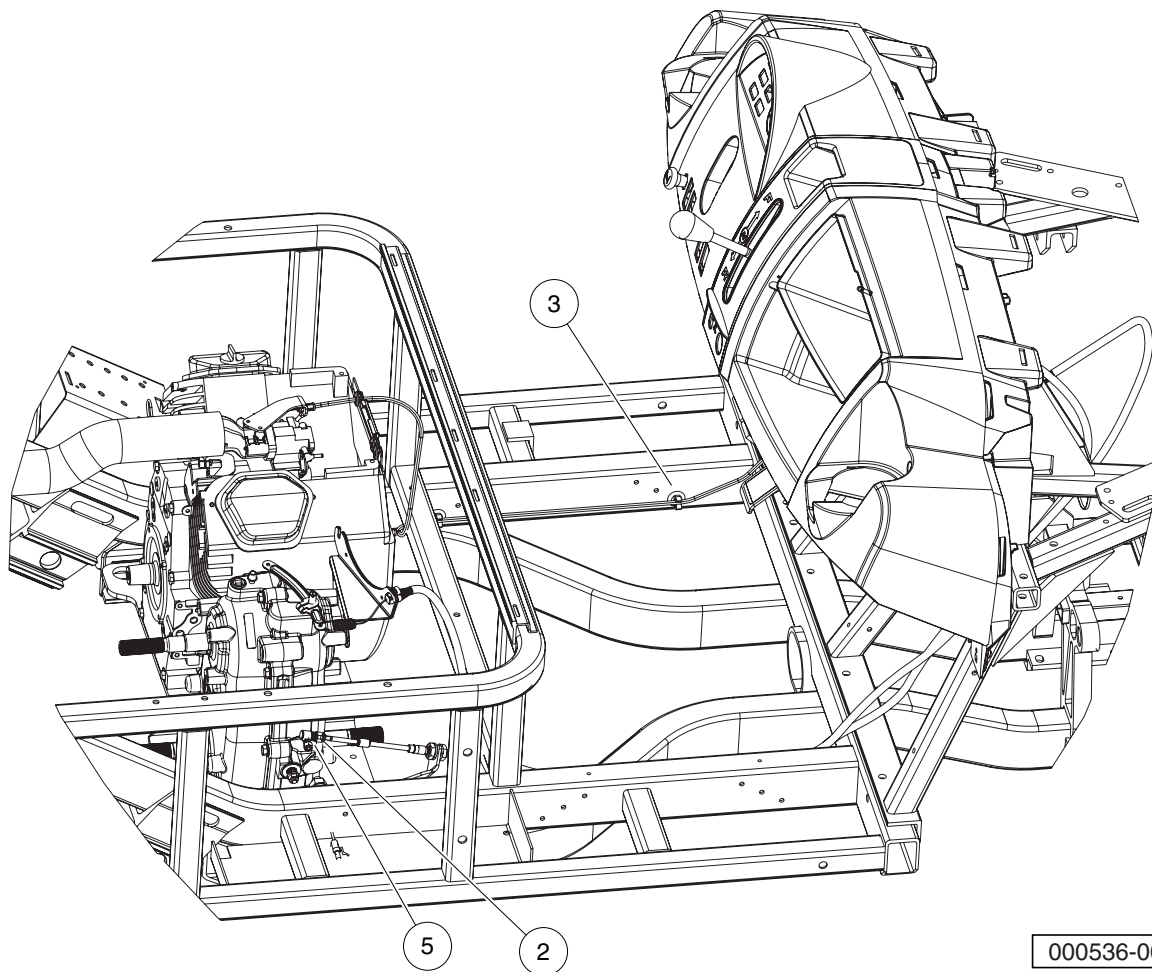
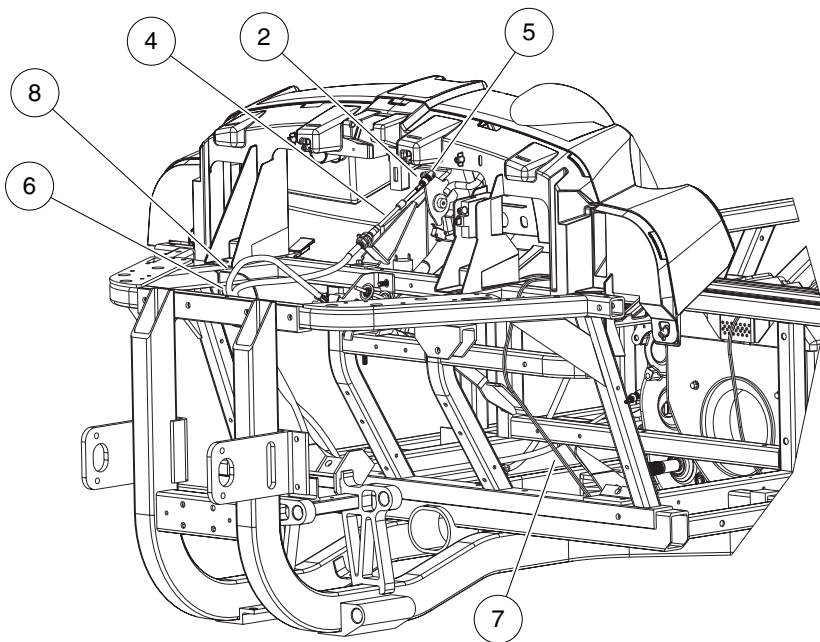
G

D

10

G

D



000536-001

## CABLES – HONDA GASOLINE VEHICLE

ITEM	PART NO.	DESCRIPTION	QTY
		<b>1 2 3 4</b>	
1	N/A	Instl, Cables, Gas (includes items 2 through 8) .....	1
2	1011084	Nut, 1/4-28 Hex Jam .....	2
3	102475701	Clip, Brake Line .....	5
4	102495801	Cable, Transmission Shift .....	1
5	102615801	Joint, Ball, .346 Dia .....	2
6	102952801	Cable, Accelerator, AWD, Gas .....	1
7	103204001	Cable, Choke, AWD .....	1
8	8990	Tie Wrap, 8" Nylon .....	1

10

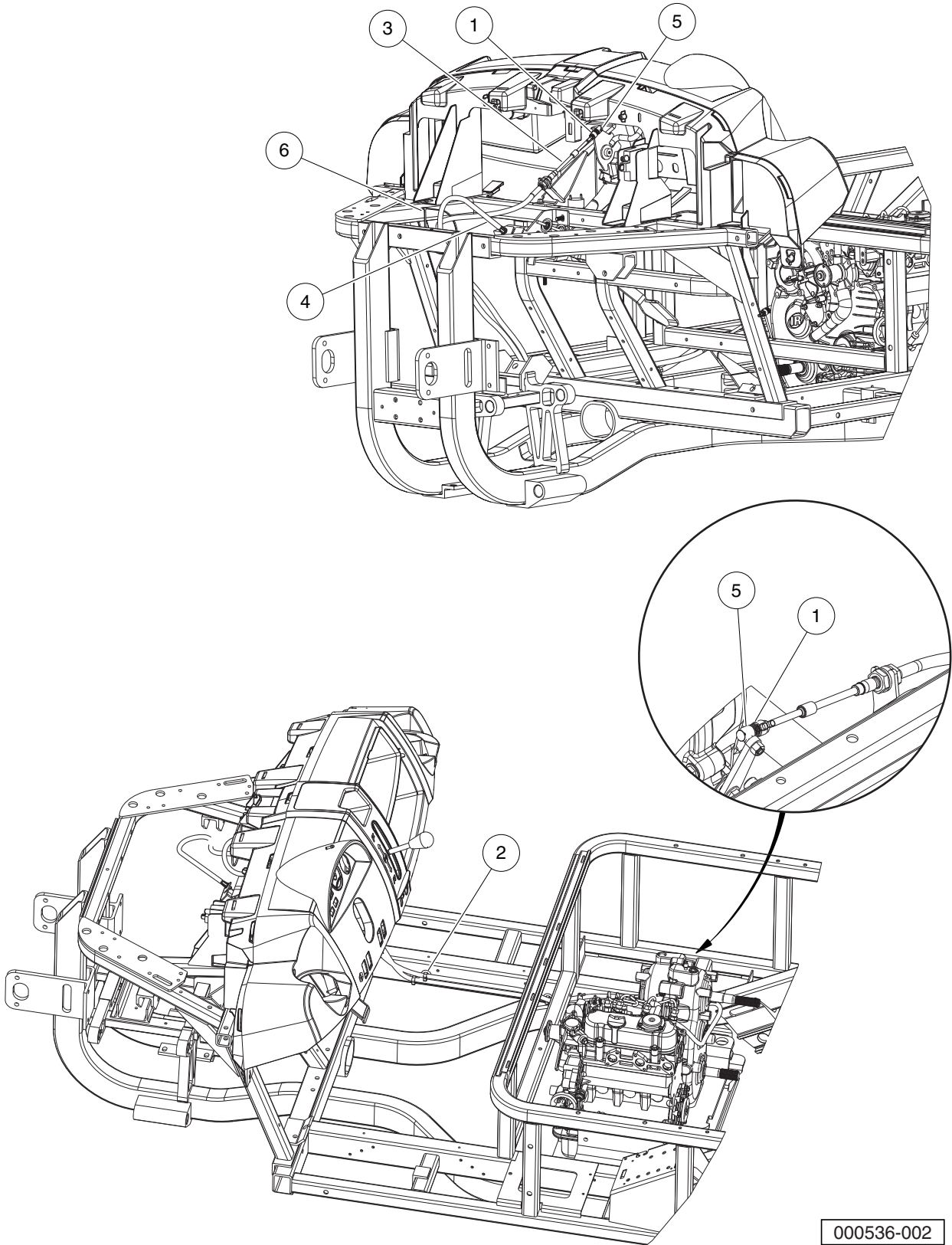
G

D

10

G

D



000536-002

## CABLES – DIESEL VEHICLE

ITEM	PART NO.	DESCRIPTION	QTY
		<b>1 2 3 4</b>	
1	1011084	Nut, 1/4-28 Hex Jam .....	2
2	102475701	Clip, Brake Line .....	3
3	102495801	Cable, Transmission Shift .....	1
4	102498801	Cable, Accelerator, Diesel .....	1
5	102615801	Joint, Ball, .346 Dia .....	2
6	8990	Tie Wrap, 8" Nylon .....	1

10

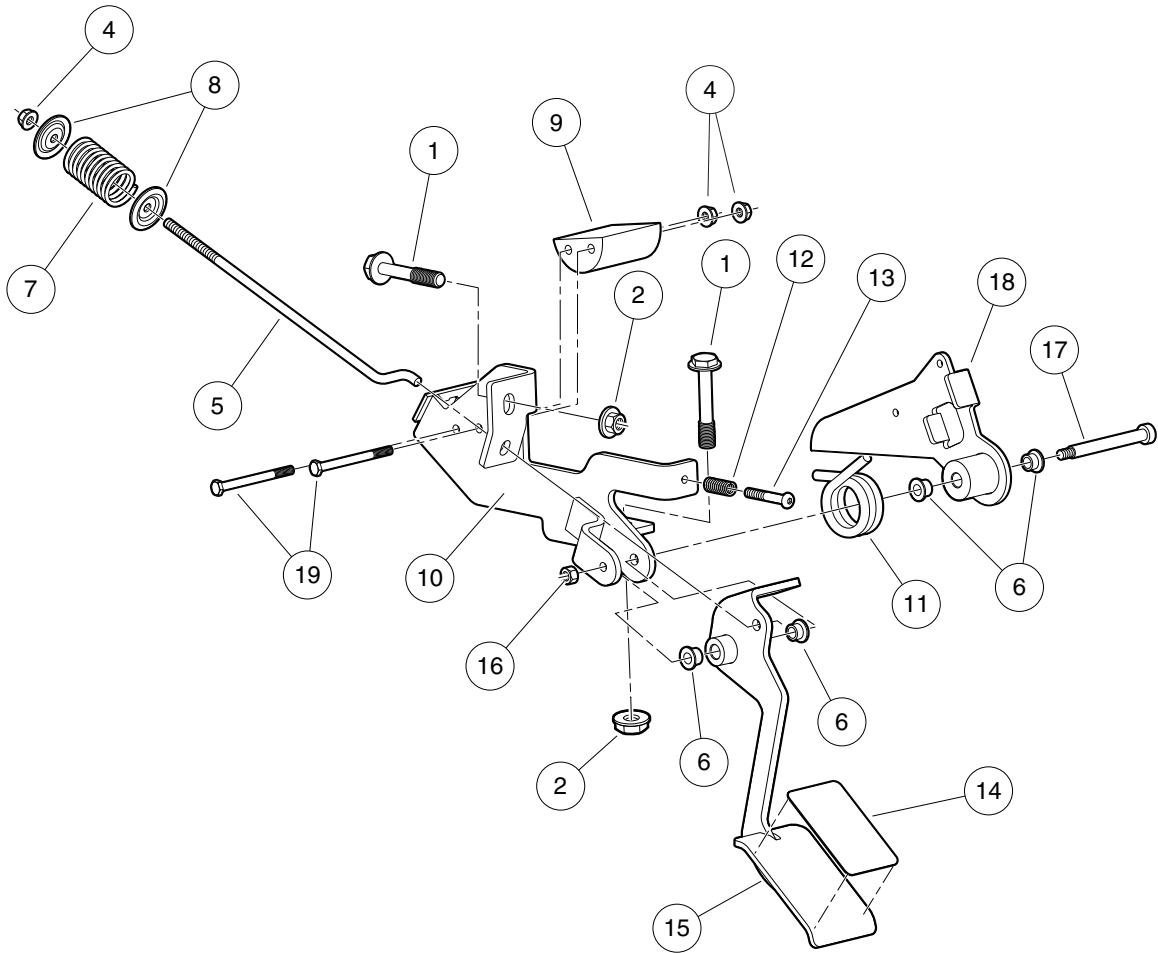
G

D

10

G

D



000026-002



# ACCELERATOR PEDAL ASSEMBLY – STYLE A

ITEM	PART NO.	DESCRIPTION	QTY
		<b>1 2 3 4</b>	
1	102618301	Bolt Flanged Head, M8 X 1.25 X 65 .....	2
2	102618601	Lock Nut, Flg M8 X 1.25 Nylon .....	2
3	103278101	Asm, Accelerator Pedal (includes items 4 through 19) .....	1
4	102296401	Nut-m6x1.0 Flng All Mtl Lock .....	3
5	N/A	Pullrod, Spring, Compression .....	1
6	102442901	Bushing, Greaseless .....	4
7	102445201	Spring, Comp, Pedal, Pullrod .....	1
8	N/A	Washer, Retaining Spring, 7mm .....	2
9	N/A	Guide, Cable, Accelerator .....	1
10	N/A	Weldment, Bracket, Pedal .....	1
11	N/A	Spring, Torsion .....	1
12	102476301	Spring, Stop, Pedal .....	1
13	102476401	Bolt, Stop, Pedal .....	1
14	102479301	Pad, Grip Tape, Accelerator .....	1
15	N/A	Weldment, Pedal, Accel .....	1
16	102618101	Nut M6x1 Mech Def Center .....	1
17	103273101	Bolt, Shoulder, M8 X 70, Hc .....	1
18	103283201	Weldment, Lever, Lost Motion .....	1
19	96706825	Bolt, M6 X 1 X 70 .....	2

**10**

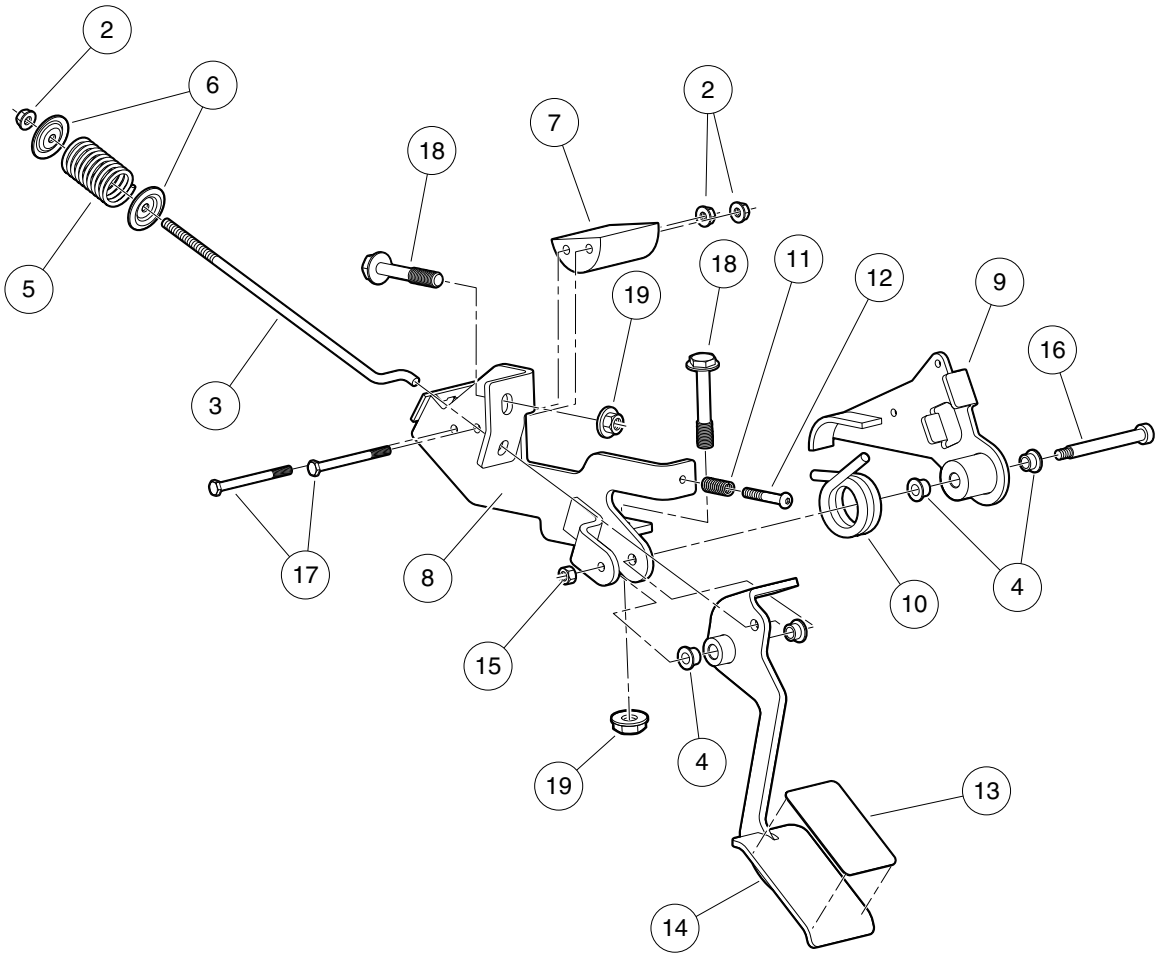
**G**

**D**

10

G

D



000026-001

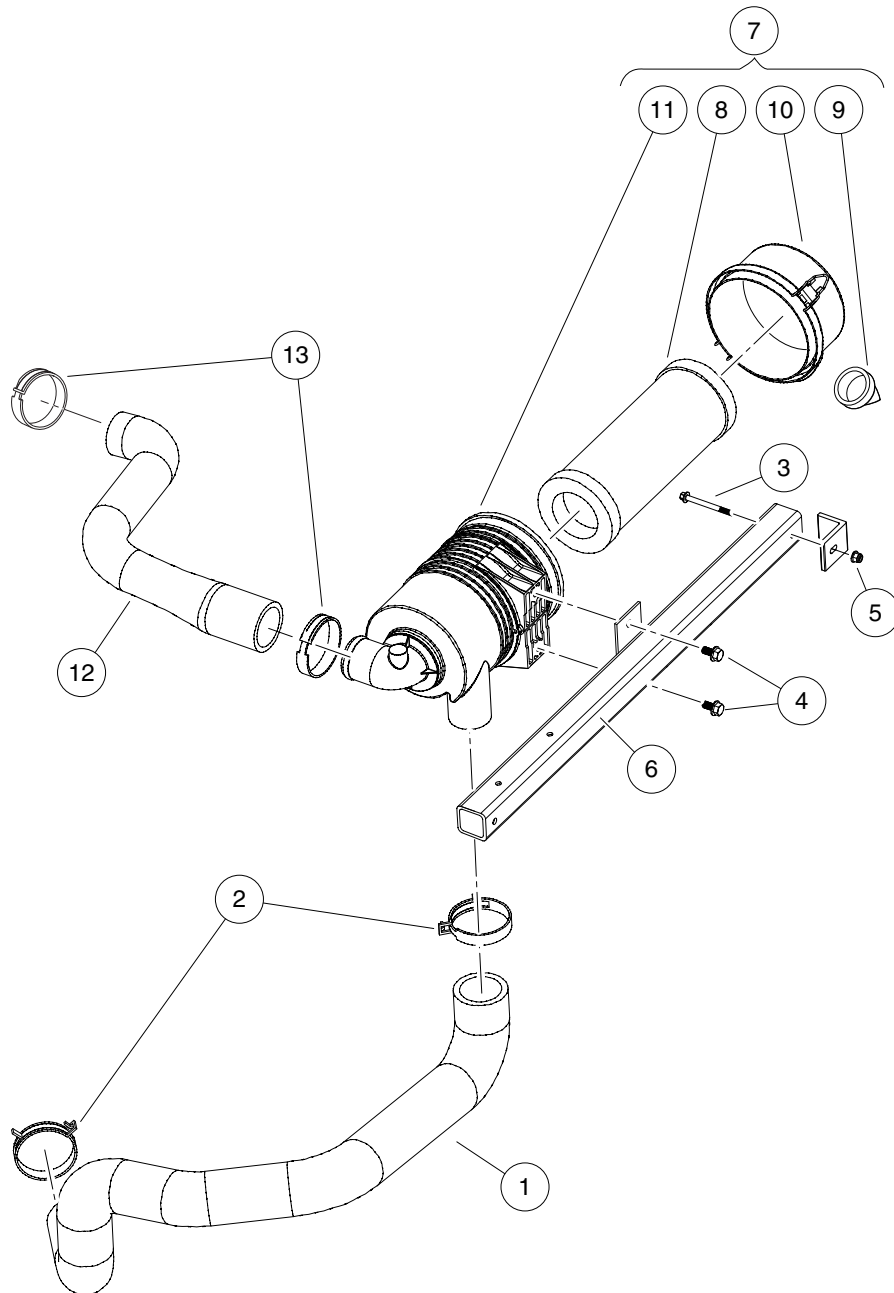
## ACCELERATOR PEDAL ASSEMBLY – STYLE B

ITEM	PART NO.	DESCRIPTION	QTY	
		<b>1 2 3 4</b>		<b>10</b>
1	102489901	Asm, Pedal, Accelerator (includes items 2 through 17) .....	1	<b>G</b>
2	102296401	Nut-m6x1.0 Flng All Mtl Lock .....	3	
3	N/A	Pullrod, Spring, Compression .....	1	
4	102442901	Bushing, Greaseless .....	4	<b>D</b>
5	102445201	Spring, Comp, Pedal, Pullrod .....	1	
6	N/A	Washer, Retaining Spring, 7mm .....	2	
7	N/A	Guide, Cable, Accelerator .....	1	
8	N/A	Weldment, Bracket, Pedal .....	1	
9	102469401	Weldment, Lever, Motion, Lost .....	1	
10	N/A	Spring, Torsion .....	1	
11	102476301	Spring, Stop, Pedal .....	1	
12	102476401	Bolt, Stop, Pedal .....	1	
13	102479301	Pad, Grip Tape, Accelerator .....	1	
14	N/A	Weldment, Pedal, Accel .....	1	
15	102618101	Nut M6x1 Mech Def Center .....	1	
16	103273101	Bolt, Shoulder, M8 X 70, Hc .....	1	
17	96706825	Bolt, M6 X 1 X 70 .....	2	
18	102618301	Bolt Flanged Head, M8 X 1.25 X 65 .....	2	
19	102618601	Lock Nut, Flg M8 X 1.25 Nylon .....	2	

10

G

D



000090-005

# INTAKE DUCT AND AIR BOX ASSEMBLY – KAWASAKI GASOLINE VEHICLES

ITEM	PART NO.	DESCRIPTION	QTY
		<b>1 2 3 4</b>	
1	102395601	Hose, Intake, Primary .....	1
2	102411210	Clamp, Hose, Ctb 64mm .....	2
3	102541465	Bolt, M 6 X 1.0 X 65 Hex, Flange, Head, Black .....	2
4	102621201	Bolt Flanged Head, M8 X1.25x 16 with Loctite .....	2
5	102621501	Nut Flg, M6 X 1.0 Nylon .....	2
6	N/A	Weldment, Support, Air Cleaner .....	1
7	102810701	Filter, Air, Canister, W/labe (includes items 8 through 11) .....	1
8	102498601	Element, Filter, Air, 5 In .....	1
9	102725501	Valve, Evacuator, Filter Air .....	1
10	102725601	Cap, Latch Lock, Filter, Air .....	1
11	N/A	Body, Canister, Filter, Air .....	1
12	103438201	Intake Awd Hose Gas .....	1
13	103441401	Clamp, Worm Screw, Hose, 2" .....	2

**10**

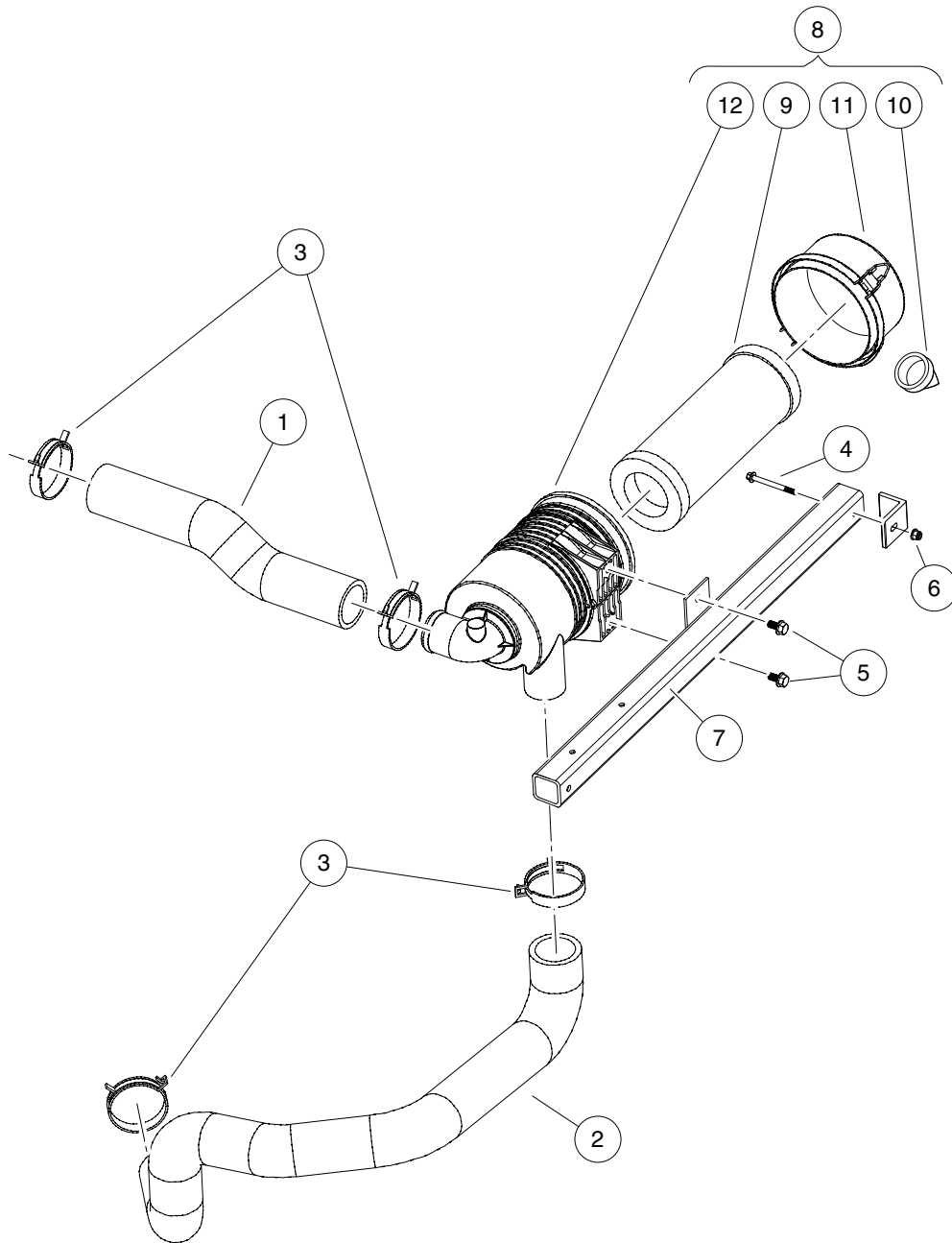
**G**

**D**

10

G

D



000090-001

## INTAKE DUCT AND AIR BOX ASSEMBLY – HONDA GASOLINE VEHICLES

ITEM	PART NO.	DESCRIPTION	QTY
		1 2 3 4	
1	102378901	Hose, Intake, GX620 .....	1
2	102395601	Hose, Intake, Primary .....	1
3	102411210	Clamp, Hose, Ctb 64mm .....	4
4	102541465	Bolt, M 6 X 1.0 X 65 Hex, Flange, Head, Black .....	2
5	102621201	Bolt Flanged Head, M8 X1.25x 16 with Loctite .....	2
6	102621501	Nut Flg, M6 X 1.0 Nylon .....	2
7	N/A	Weldment, Support, Air Cleaner .....	1
8	102810701	Filter, Air, Canister, W/labe (includes items 9 through 12) .....	1
9	102498601	Element, Filter, Air, 5 In .....	1
10	102725501	Valve, Evacuator, Filter Air .....	1
11	102725601	Cap, Latch Lock, Filter, Air .....	1
12	N/A	Body, Canister, Filter, Air .....	1

**10**

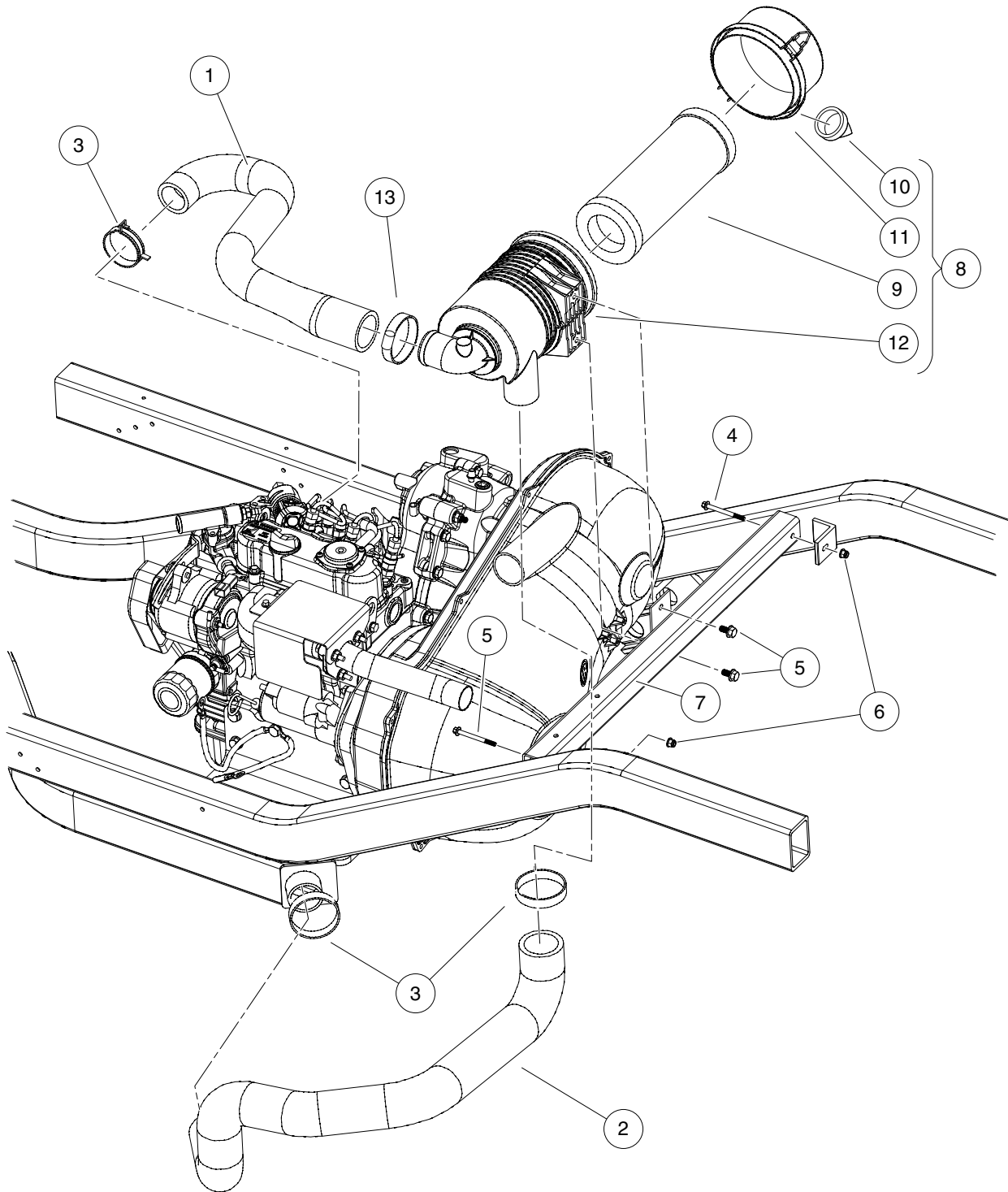
**G**

**D**

10

G

D



000090-002



# INTAKE DUCT AND AIR BOX ASSEMBLY – DIESEL VEHICLES

ITEM	PART NO.	DESCRIPTION	QTY
		1 2 3 4	
1	102379001	Hose, Intake, D722 .....	1
2	102395601	Hose, Intake, Primary .....	1
3	102411209	Clamp, Hose, Ctb 55mm .....	3
4	102541465	Bolt, M 6 X 1.0 X 65 Hex, Flange, Head, Black .....	2
5	102621201	Bolt Flanged Head, M8 X1.25x 16 with Loctite .....	2
6	102621501	Nut Flg, M6 X 1.0 Nylon .....	2
7	N/A	Weldment, Support, Air Cleaner .....	1
8	102810701	Filter, Air, Canister, W/labe (includes items 9 through 12) .....	1
9	102498601	Element, Filter, Air, 5 In .....	1
10	102725501	Valve, Evacuator, Filter Air .....	1
11	102725601	Cap, Latch Lock, Filter, Air .....	1
12	N/A	Body, Canister, Filter, Air .....	1
13	103441401	Clamp, Worm Screw, Hose, 2" .....	1

10

G

D

**10**

**G**

**D**

# EXHAUST SYSTEM

---

11

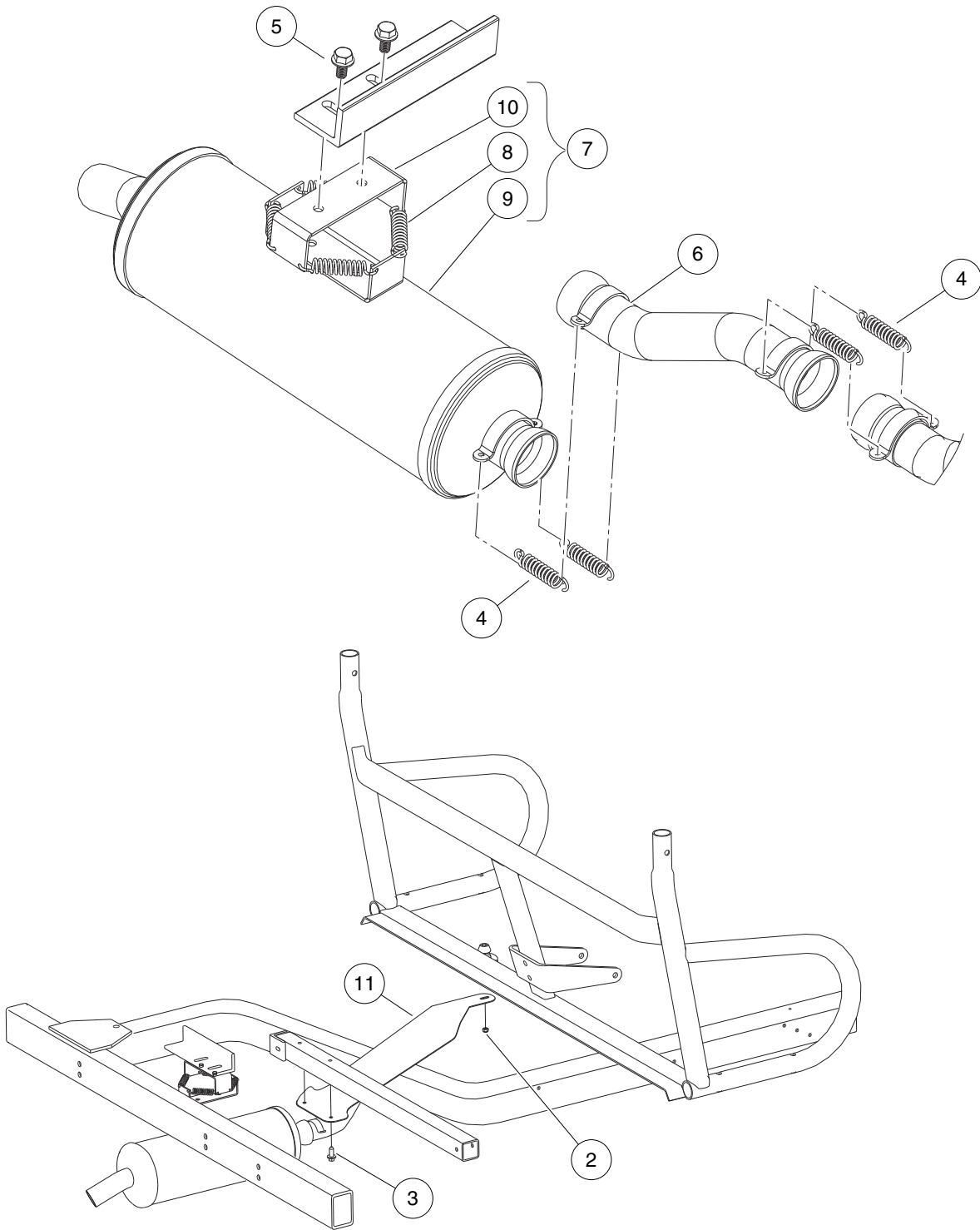
G

D

11

G

D



000538-001

# EXHAUST SYSTEM

ITEM	PART NO.	DESCRIPTION	QTY
		<b>1 2 3 4</b>	
1	N/A	Instl, Exhaust, AWD (includes items 2 through 11) .....	1
2	101887601	Locknut, M6-1.00 Nylon Insert .....	1
3	102298720	M8-1.25x20 Taptite .....	2
4	102409501	Spring, Exhaust .....	4
5	102621201	Bolt Flanged Head, M8 X1.25x 16 with Loctite .....	2
6	102786201	Pipe, Exhaust, Int, Offset .....	1
7	102812801	Asm, Muffler, AWD Homologation (includes items 8 through 10) .....	1
8	102409501	Spring, Exhaust .....	4
9	N/A	Muffler .....	1
10	N/A	Bracket, Muffler .....	1
11	102930901	Shield, Exhaust, Clearance .....	1

11

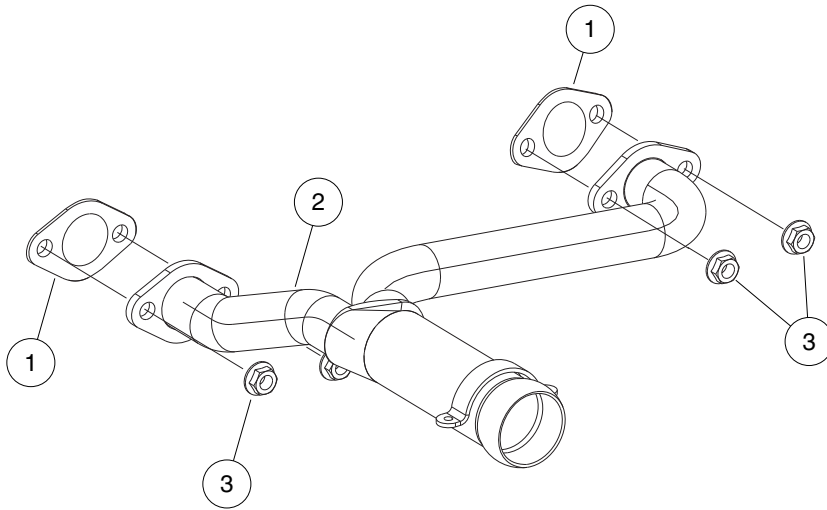
G

D

11

G

D



000538-004

## EXHAUST HEADER – KAWASAKI GAS

ITEM	PART NO.	DESCRIPTION	QTY
		1 2 3 4	
1	102949301	Gasket, Exhaust Header, Fh680d .....	2
2	103268101	Header, Exhaust, Gas, Fh680d .....	1
3	96704416	Nut Flg, M8 X 1.25 Serrated .....	4

11

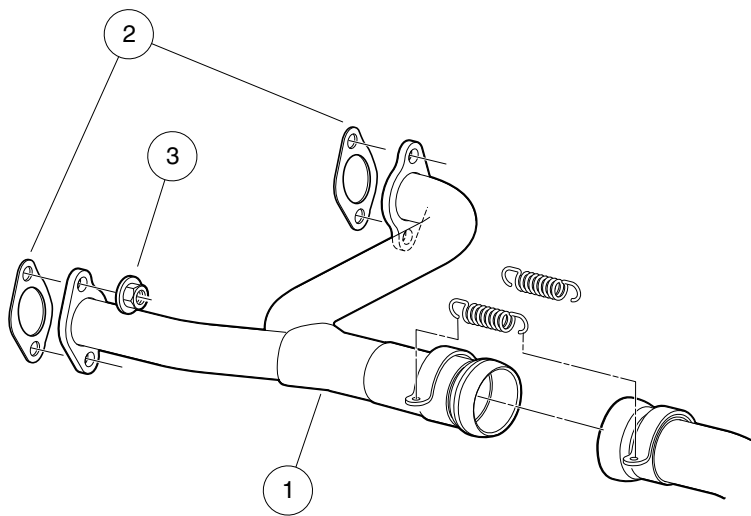
G

D

11

G

D



000538-002



# EXHAUST HEADER – HONDA GAS

ITEM	PART NO.	DESCRIPTION	QTY
		1 2 3 4	
1	102409601	Header, Exhaust, Gas .....	1
2	102834901	Gasket, Exhaust, Gx620 .....	2
3	96704416	Nut Flg, M8 X 1.25 Serrated .....	4

11

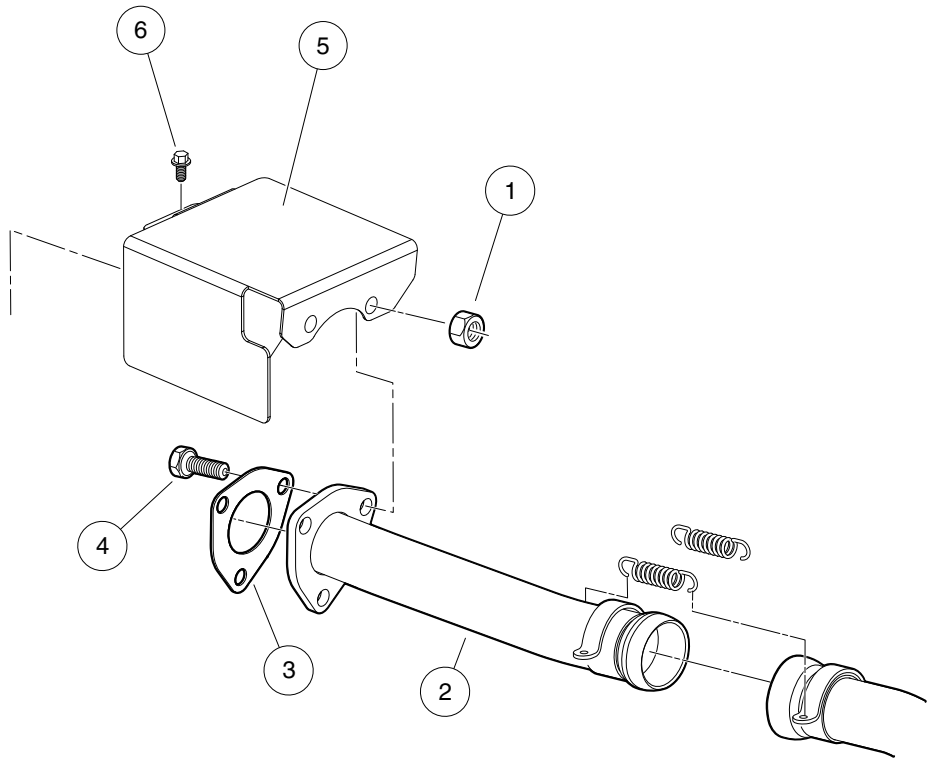
G

D

11

G

D



000538-003

## EXHAUST PIPES – DIESEL VEHICLES

ITEM	PART NO.	DESCRIPTION	QTY
		<b>1 2 3 4</b>	
1	102298401	Nut,m8,all Metal Lock .....	3
2	102409301	Pipe, Exhaust Diesel Main .....	1
3	102422301	Gasket, Exhaust Diesel .....	1
4	102621301	Bolt, M8 X 1.25 X 40 with Loctite .....	3
5	102628101	Shield, Diesel Exhaust .....	1
6	102731601	Bolt, D722, Exhst Manfld Cover .....	1

11

G

D

**11**

**G**

**D**

# CLUTCHES

---

12

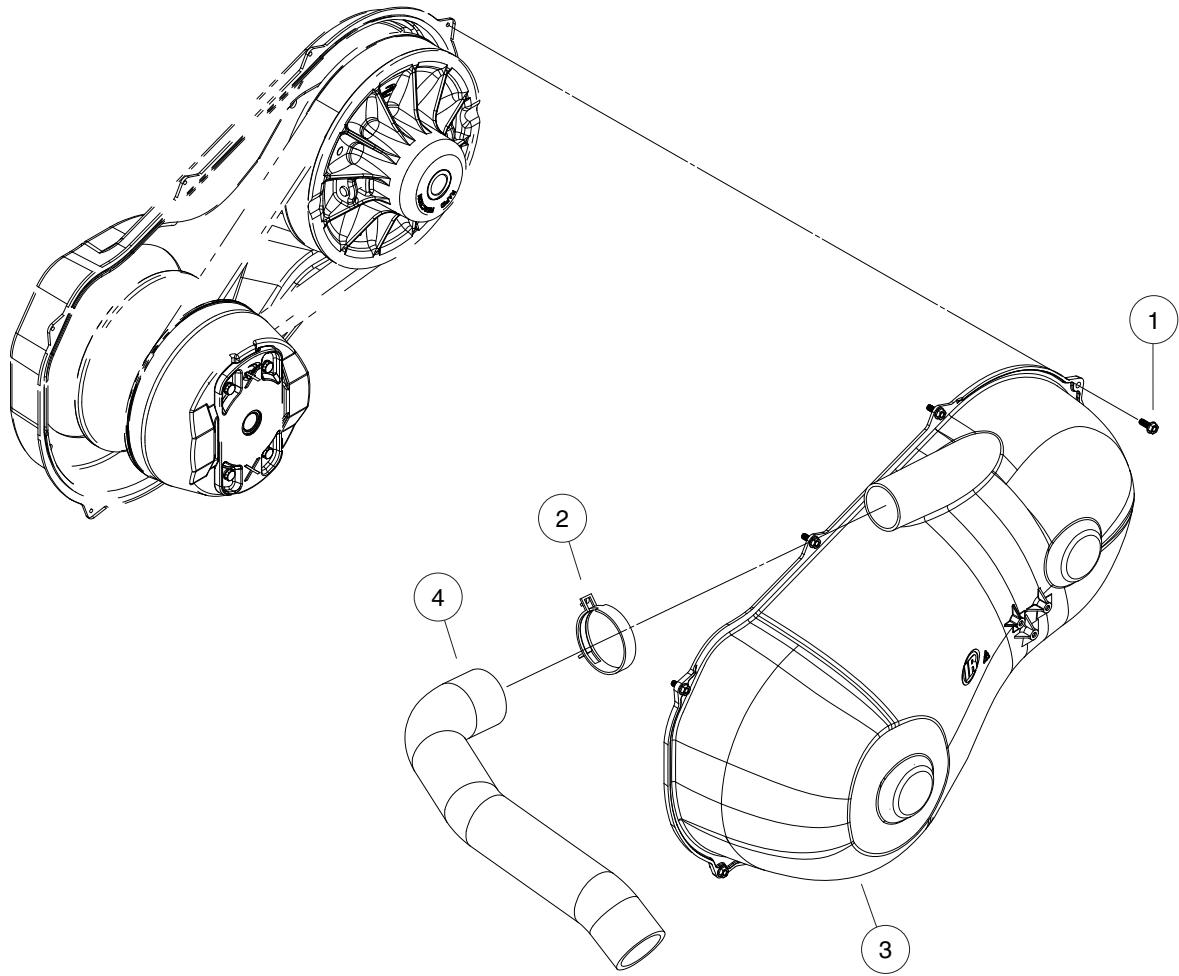
G

D

12

G

D



000008-002

## CLUTCH COVER (STANDARD)

ITEM	PART NO.	DESCRIPTION	QTY
		1 2 3 4	
1	102296716	Screw, M6 X 16 Tt Hx Fl Hd .....	7
2	102411210	Clamp, Hose, Ctb 64mm .....	1
3	N/A	Cover, Cvt, Open .....	1
4	103320601	Hose, Outlet, Cvt .....	1

12

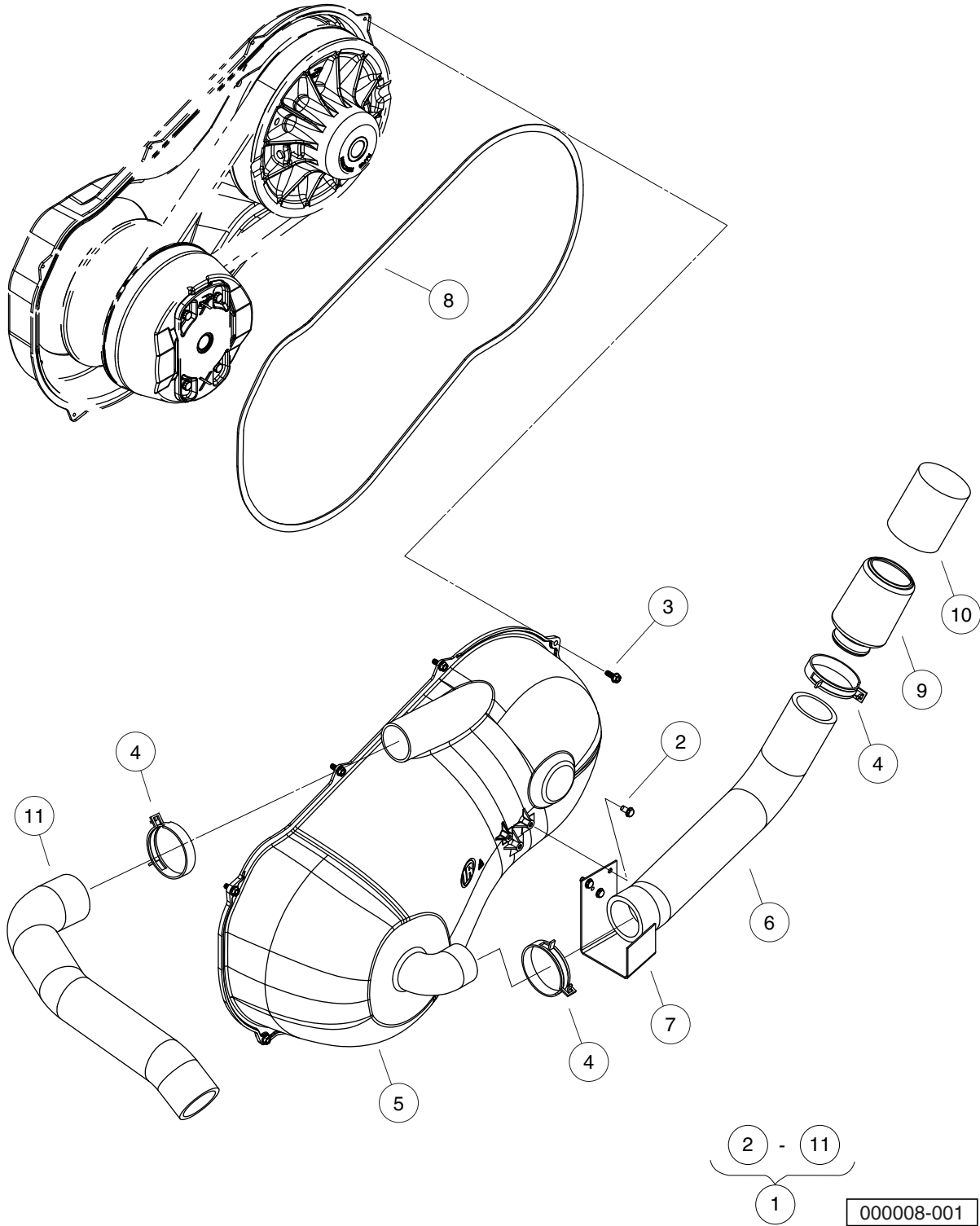
G

D

12

G

D



000008-001



## CLUTCH COVER (SEALED)

ITEM	PART NO.	DESCRIPTION	QTY
		<b>1 2 3 4</b>	
1	102616003	Kit, Sealed CVT Cover (includes items 2 through 11) .....	1
2	101856102	Screw, 1/4-15 X 1.50 Hi-lo Hex .....	3
3	102296716	Screw, M6 X 16 Tt Hx Fl Hd .....	7
4	102411210	Clamp, Hose, Ctb 64mm .....	2
5	102414501	Cover, CVT Outer .....	1
6	102481001	Hose, Inlet, Cover, CVT .....	1
7	102481201	Bracket, Inlet, Cover, CVT .....	1
8	102481301	Gasket, Cover, CVT .....	1
9	102616101	Cap, Inlet, Cover, CVT .....	1
10	102628001	Filter, Inlet, Cover, CVT .....	1
11	103320601	Hose, Outlet, Cvt .....	1

**12**

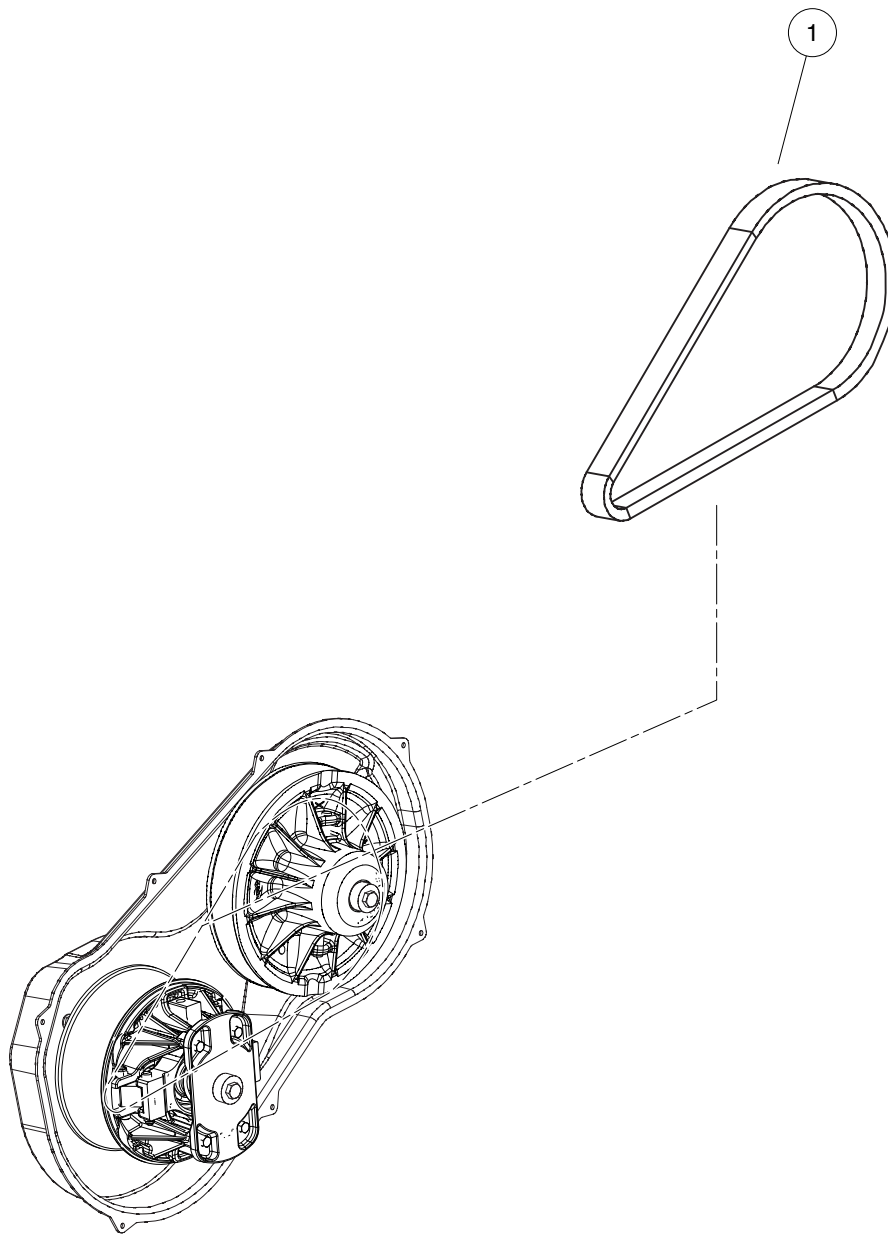
**G**

**D**

12

G

D



000084-001

# DRIVE BELT

ITEM	PART NO.	DESCRIPTION	QTY
1	102374901	1 2 3 4 Belt, Drive .....	1

**12**

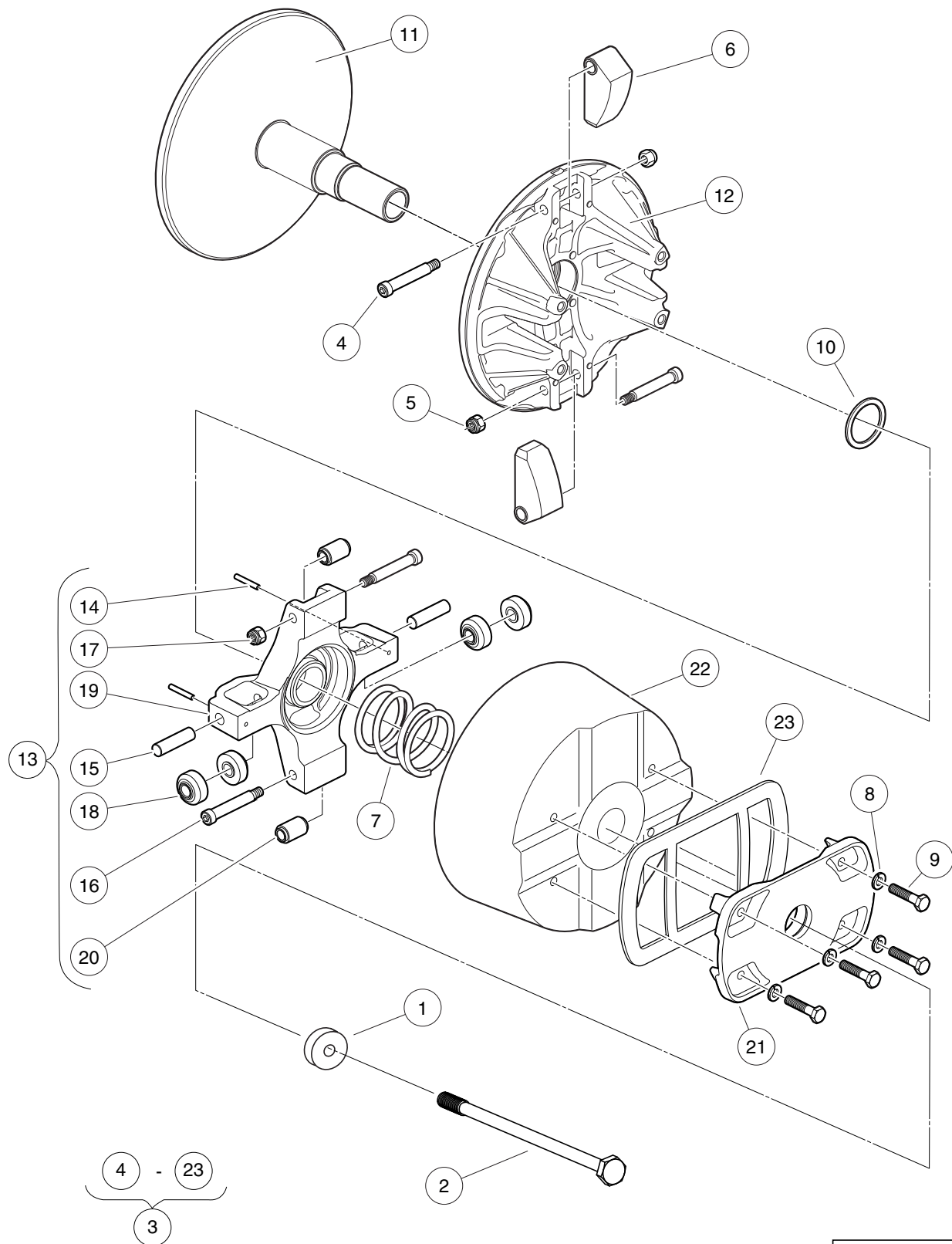
**G**

**D**

12

G

D



000007-003

## DRIVE CLUTCH – GASOLINE VEHICLES

ITEM	PART NO.	DESCRIPTION	QTY
		<b>1 2 3 4</b>	
1	102385601	Washer, Stepped .....	1
2	102490001	Bolt, M10x1.25x200 Loctite .....	1
3	103185401	Clutch, 4x4, Gas, W/cover (includes items 4 through 23) .....	1
4	102690501	Screw, Shlder Hex, .312 X 1.75 .....	2
5	102690701	Nut, Lock Hex, 1/14-20, Flexlc .....	2
6	102691001	Sub Assy, Wt Clutch, Gas .....	2
7	102691401	Spring, Compression, Primary .....	1
8	102691601	Washer, Lock, H-Spring, 1/4 .....	4
9	102691701	Screw, Cap, Hex Hd, 1/4 X 1.25 .....	4
10	102691801	Shim, 1.63 X 1.33 .....	1
11	N/A	Subassembly, Drive Clutch .....	1
12	N/A	Subassembly, Moveable, Drive Clutch .....	1
13	N/A	Spider Subassembly (Gasoline) (includes items 14 through 20) .....	1
14	102690201	Pin, Spring Slotted, 1.25 X 1.0 .....	2
15	102690301	Pin, Dowel, .375 X 1.50 .....	2
16	102690501	Screw, Shlder Hex, .312 X 1.75 .....	2
17	102690701	Nut, Lock Hex, 1/14-20, Flexlc .....	2
18	102691901	Roller, Torque, Gas .....	4
19	N/A	Spider, Drive Clutch .....	1
20	102839401	Sub Assy, Roller Weight .....	2
21	N/A	Cover, Drive Clutch .....	1
22	103185801	Cover, Clutch, 4x4 .....	1
23	103185901	Gasket, Cover, Clutch, 4x4 .....	1

**12**

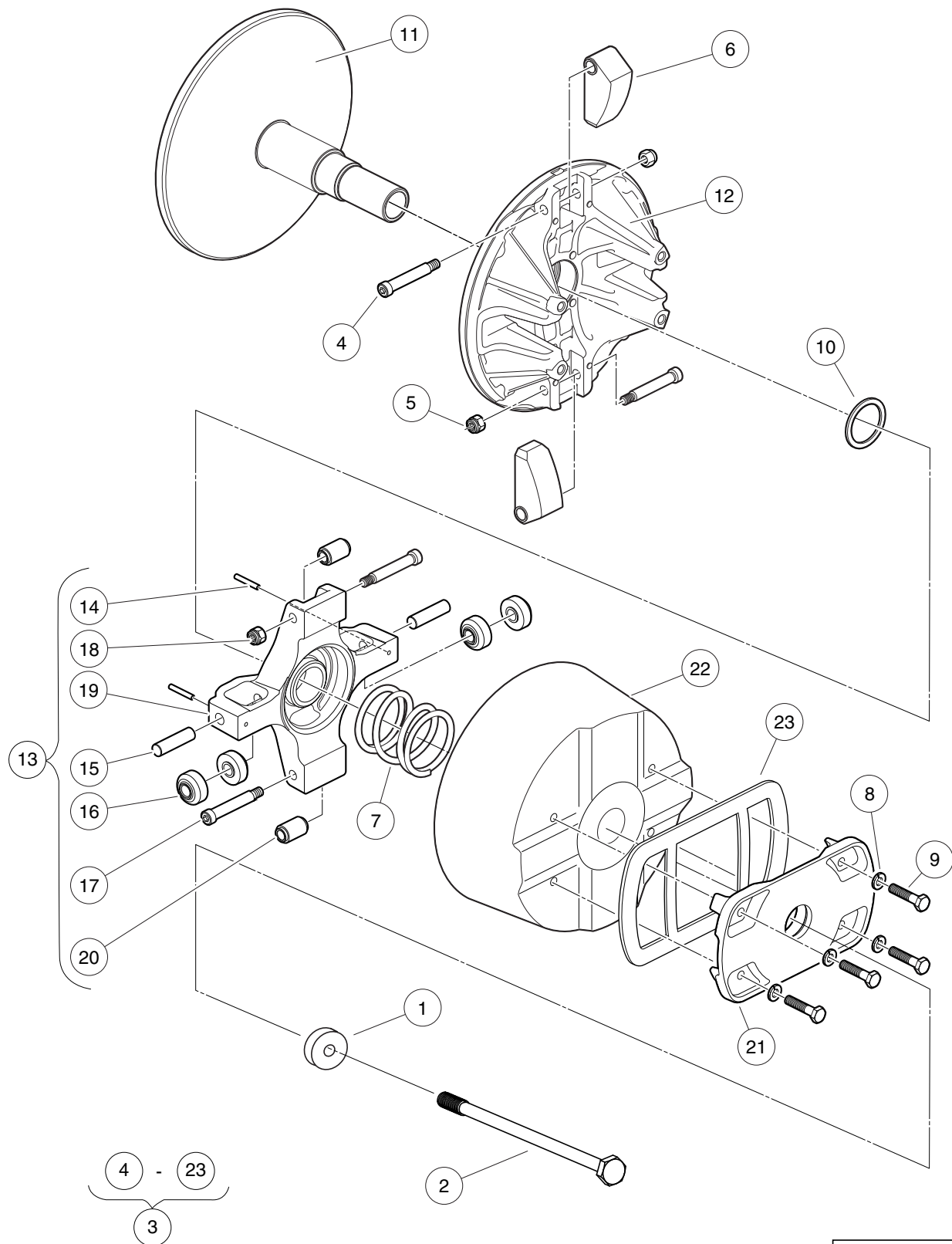
**G**

**D**

12

G

D



000007-004

## DRIVE CLUTCH – DIESEL VEHICLES

ITEM	PART NO.	DESCRIPTION	QTY
		<b>1 2 3 4</b>	
1	102385601	Washer, Stepped .....	1
2	102616501	Bolt, M10 X 1.5 X 160 .....	1
3	103185501	Clutch, 4x4, Diesel, W/cover (includes items 4 through 23) .....	1
4	102690501	Screw, Shlder Hex, .312 X 1.75 .....	2
5	102690701	Nut, Lock Hex, 1/14-20, Flexlc .....	2
6	102690801	Sub Assy, Wt Clutch, Diesel .....	2
7	102691401	Spring, Compression, Primary .....	1
8	102691601	Washer, Lock, H-Spring, 1/4 .....	4
9	102691701	Screw, Cap, Hex Hd, 1/4 X 1.25 .....	4
10	102691801	Shim, 1.63 X 1.33 .....	1
11	N/A	Subassembly, Drive Clutch .....	1
12	N/A	Subassembly, Moveable, Drive Clutch .....	1
13	N/A	Subassembly, Spider Utility, Diesel (includes items 14 through 20) .....	1
14	102690201	Pin, Spring Slotted, 1.25 X 1.0 .....	2
15	102690301	Pin, Dowel, .375 X 1.50 .....	2
16	102690401	Roller, Torque, Diesel .....	4
17	102690501	Screw, Shlder Hex, .312 X 1.75 .....	2
18	102690701	Nut, Lock Hex, 1/14-20, Flexlc .....	2
19	N/A	Spider, Drive Clutch .....	1
20	102839401	Sub Assy, Roller Weight .....	2
21	N/A	Cover, Drive Clutch .....	1
22	103185801	Cover, Clutch, 4x4 .....	1
23	103185901	Gasket, Cover, Clutch, 4x4 .....	1

**12**

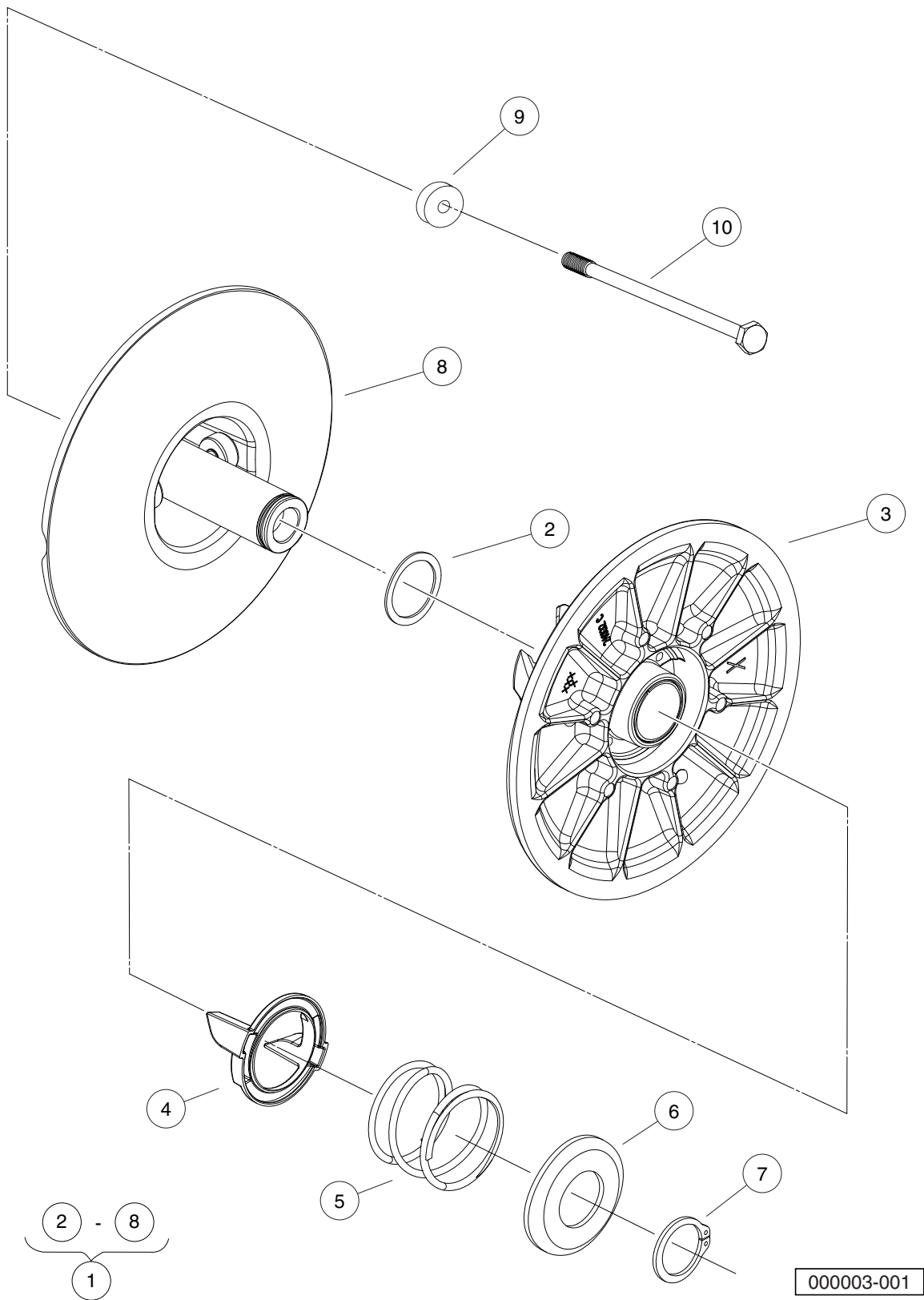
**G**

**D**

12

G

D



000003-001



# DRIVEN CLUTCH

ITEM	PART NO.	DESCRIPTION	QTY
		<b>1 2 3 4</b>	
1	102369901	CVT, Secondary (includes items 2 through 8) .....	1
2	102695401	Washer, Thrust, 1.53 X 1.92 .....	1
3	N/A	Sheave, Driven Clutch .....	1
4	102695601	Retainer, Spring, Inner .....	1
5	102695701	Spring, Compression, Secondary .....	1
6	102695801	Retainer, Spring, Outer .....	1
7	102695901	Ring, Retaining, External .....	1
8	N/A	Driven Clutch Base Sheave .....	1
9	102385701	Washer, Stepped .....	1
10	102719301	Bolt, M10 X 1.50 X 90, Loctite .....	1

12

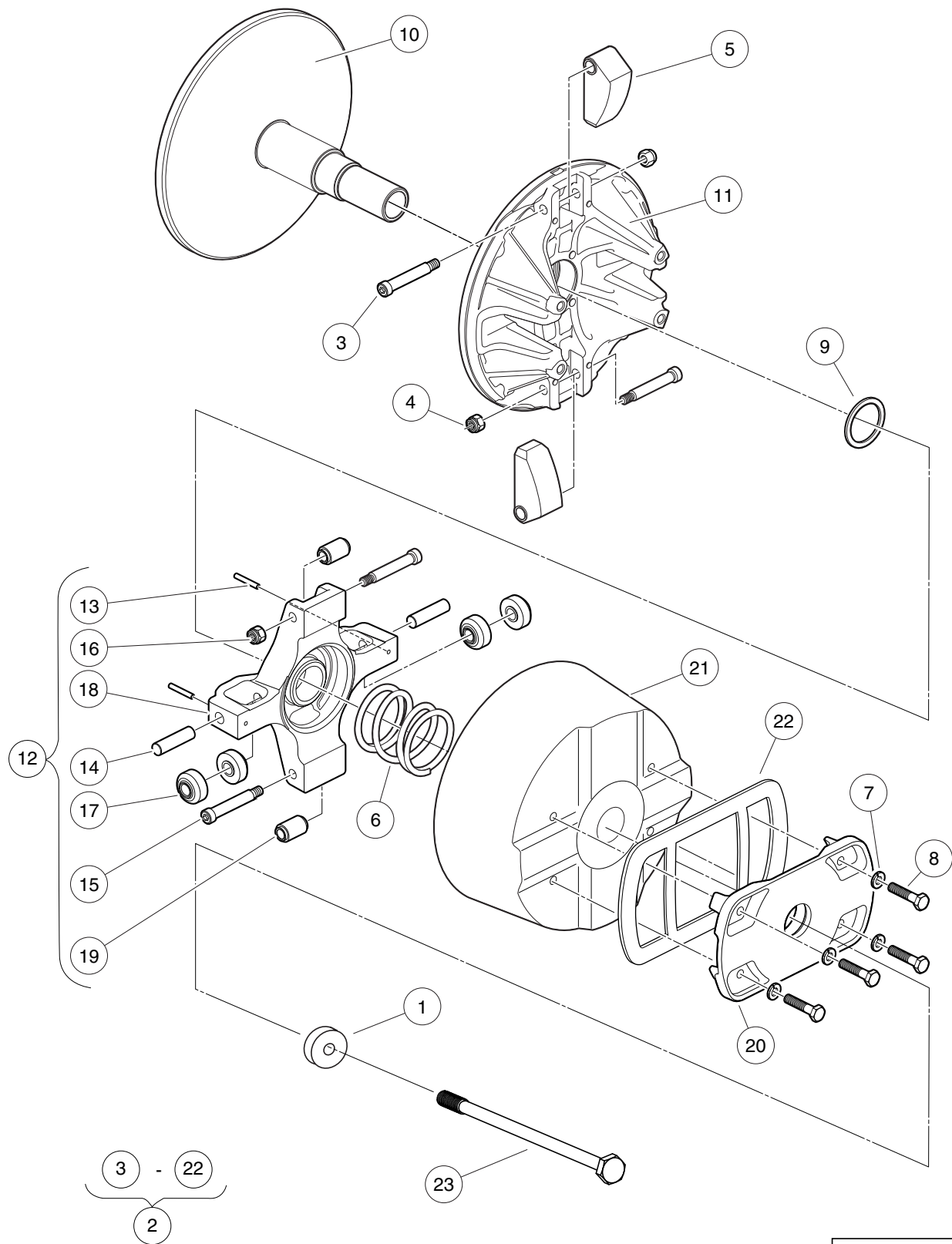
G

D

12

G

D



000007-005

## DRIVE CLUTCH – GASOLINE VEHICLES

ITEM	PART NO.	DESCRIPTION	QTY
		<b>1 2 3 4</b>	
1	102385601	Washer, Stepped .....	1
2	103185401	Clutch, 4x4, Gas, W/cover (includes items 3 through 22) .....	1
3	102690501	Screw, Shlder Hex, .312 X 1.75 .....	2
4	102690701	Nut, Lock Hex, 1/14-20, Flexlc .....	2
5	102691001	Sub Assy, Wt Clutch, Gas .....	2
6	102691401	Spring, Compression, Primary .....	1
7	102691601	Washer, Lock, H-Spring, 1/4 .....	4
8	102691701	Screw, Cap, Hex Hd, 1/4 X 1.25 .....	4
9	102691801	Shim, 1.63 X 1.33 .....	1
10	N/A	Subassembly, Drive Clutch .....	1
11	N/A	Subassembly, Moveable, Drive Clutch .....	1
12	N/A	Spider Subassembly (Gasoline) (includes items 13 through 19) .....	1
13	102690201	Pin, Spring Slotted, 1.25 X 1.0 .....	2
14	102690301	Pin, Dowel, .375 X 1.50 .....	2
15	102690501	Screw, Shlder Hex, .312 X 1.75 .....	2
16	102690701	Nut, Lock Hex, 1/14-20, Flexlc .....	2
17	102691901	Roller, Torque, Gas .....	4
18	N/A	Spider, Drive Clutch .....	1
19	102839401	Sub Assy, Roller Weight .....	2
20	N/A	Cover, Drive Clutch .....	1
21	103185801	Cover, Clutch, 4x4 .....	1
22	103185901	Gasket, Cover, Clutch, 4x4 .....	1
23	103201501	Bolt, M8 X 1.25 X 200, Loctite .....	1

12

G

D

12

G

D

# DRIVETRAIN COMPONENTS

---

13

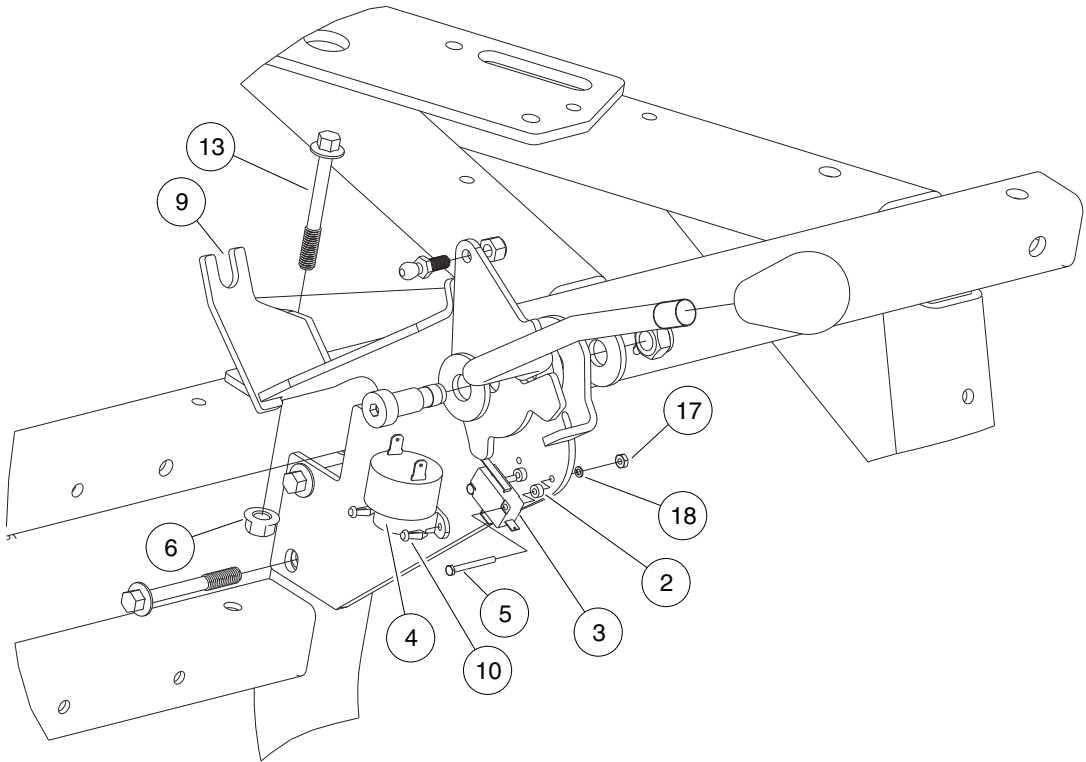
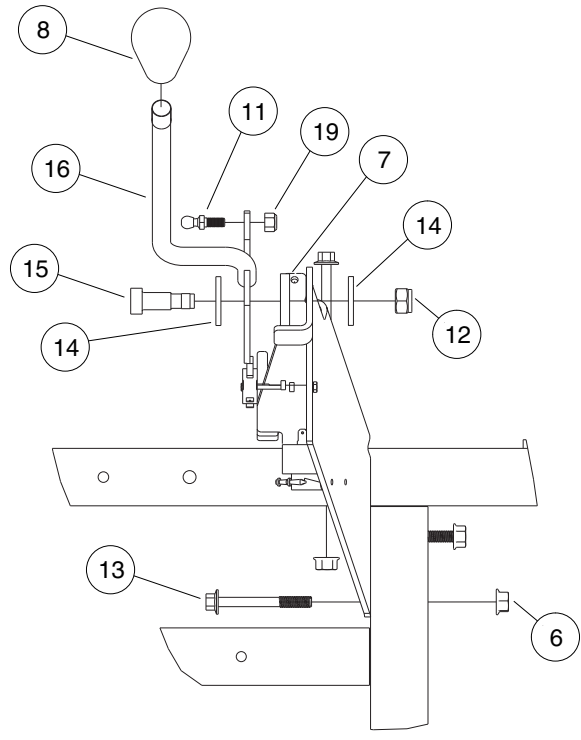
G

D

13

G

D



000030-002

## FORWARD/REVERSE SHIFTER ASSEMBLY

ITEM	PART NO.	DESCRIPTION	QTY
		1 2 3 4	
1	102868201	Asm, FNR (includes items 2 through 19) .....	1
2	1014727	Washer, #4 Nylon Flat .....	2
3	1014808	Switch, Limit .....	1
4	1016851	Buzzer, Reverse (9-48 VDC) .....	1
5	1016896	Screw, #4-40 X 1.125 Hx Hd Mch .....	2
6	102298401	Nut,m8,all Metal Lock .....	3
7	102375901	Bushing, Fnr .....	1
8	102376001	Knob, Fnr .....	1
9	N/A	Weldment, FNR Shifter Bracket .....	1
10	102499001	Rivet, Micro Tuflok .....	2
11	102615701	Stud, Ball, .346 Dia .....	1
12	102616701	Locknut, M10x1.5 Nylon Insert .....	1
13	102618301	Bolt Flanged Head, M8 X 1.25 X 65 .....	3
14	102684501	Washer, M12 Hard Regular .....	2
15	102684601	Shoulder Bolt,m12 X 20 M10 Thd .....	1
16	103187501	Weldment, FNR Shifter .....	1
17	8057	Nut, #4-40 Hex Machine .....	2
18	8058	Lockwasher, #4 Split .....	2
19	8717	Locknut, 1/4-28 Nylon Insert .....	1

**13**

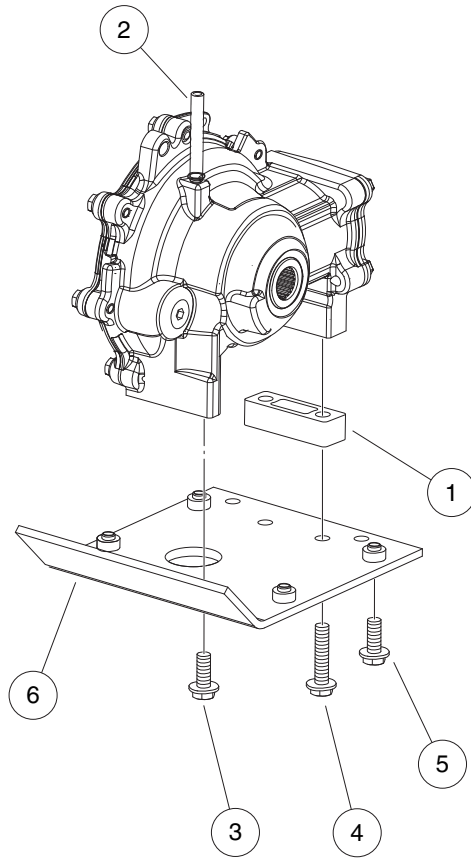
**G**

**D**

13

G

D



000012-003



# FRONT DIFFERENTIAL MOUNTING PLATE

ITEM	PART NO.	DESCRIPTION	QTY
		1 2 3 4	
1	102381701	Spacer Block, Diff .....	1
2	102462401	Hose, Vent, Front Diff .....	1
3	102491001	Bolt Flanged Head, 3/8-16x1.0 with Loctite .....	2
4	102491101	Bolt Flanged Head, 3/8-16x1.500 with Loctite .....	2
5	102711601	Bolt, Flange Head, M10 X 1.5 X 25 .....	4
6	103244701	Asm, Mount, Diff Plate .....	1

13

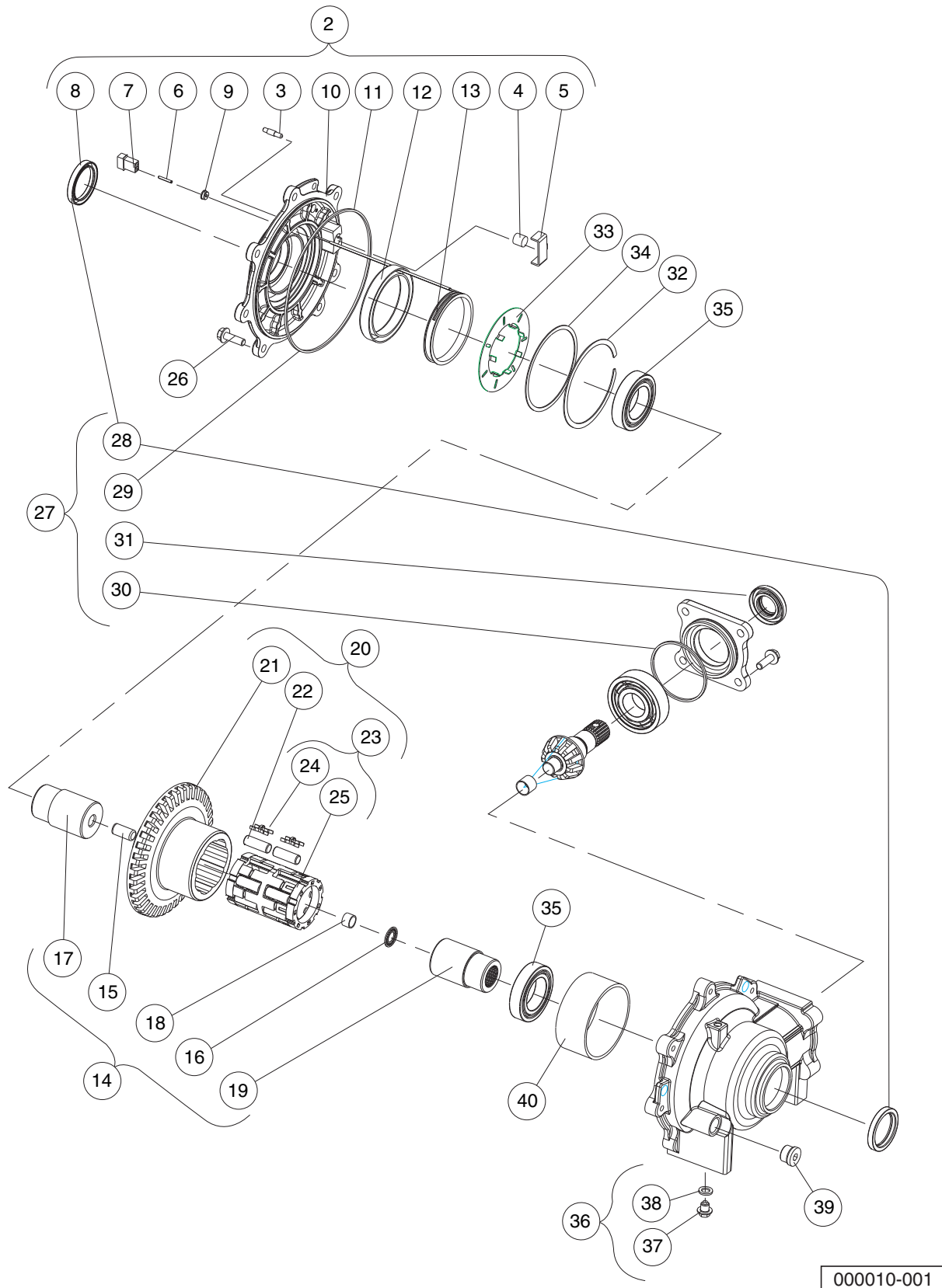
G

D

13

G

D



## FRONT DIFFERENTIAL (OUTPUT COMPONENTS)

ITEM	PART NO.	DESCRIPTION	QTY
		1 2 3 4	
1	102371801	Differential, Front * (includes items 2 through 40) .....	1
2	102438201	Kit, Assy, Output Cover Plate (includes items 3 through 13) .....	1
3	102439001	Set Screw, #10-24 UNC-3A with Patch .....	1
4	102439101	Thrust Button .....	1
5	102439201	Thrust Plate .....	1
6	N/A	Mate-N-Lock Pin .....	2
7	N/A	Mate-N-Lock Housing .....	1
8	N/A	Oil Seal .....	1
9	N/A	Grommet .....	1
10	N/A	Plate, Output Cover .....	1
11	N/A	O-Ring .....	1
12	N/A	Coil, Pocket Insert .....	1
13	N/A	Coil with Press-Fit Bobbin .....	1
14	102438301	Kit, Assy, Race Output Hub (includes items 15 through 19) .....	1
15	102439401	Pin, Dowel .....	1
16	102439501	Bearing, Needle .....	1
17	N/A	Race/Output Hub, Male .....	1
18	N/A	Bushing, PermiGlide .....	1
19	N/A	Race/Output Hub, Female .....	1
20	102438401	Kit, Assy, Clutch (includes items 21 through 23) .....	1
21	102439601	Clutch Hsg/Ring Gear, Machined .....	1
22	102439801	Kit, Roller (contains 14 rollers) .....	1
23	102439901	Kit, Assy, Roll Cage (includes items 24 and 25) .....	1
24	102439701	Kit, H-Clip Spring (contains 14 clips) .....	1
25	N/A	Roll Cage, Plastic .....	1
26	102438501	Kit, Bolt (contains 7 bolts) .....	1
27	102438601	Kit, Minor Repair (includes items 28 through 31) .....	1
28	N/A	Oil Seal .....	1
29	N/A	O-Ring .....	1
30	N/A	O-Ring .....	1
31	N/A	Oil Seal, Triple-Lipped .....	1
32	102438701	Retaining, Ring Internal .....	1
33	102438801	Plate, Armature .....	1
34	102438901	Shim, Armature, Plate .....	1
35	102439301	Bearing, Ball .....	12
36	102440101	Kit, Assy, Drain Plug (includes items 37 and 38) .....	1
37	N/A	Plug, Oil Drain .....	1
38	N/A	Washer, Nylon, 0.625 x 0.382 x 0.06 .....	1
39	102440301	Plug, Oil Fill .....	1
40	N/A	Bushing, Self-Lubricating, 80 x 85 x 20 .....	1
		* Note: This assembly also contains components listed on the following two pages.	

**13**

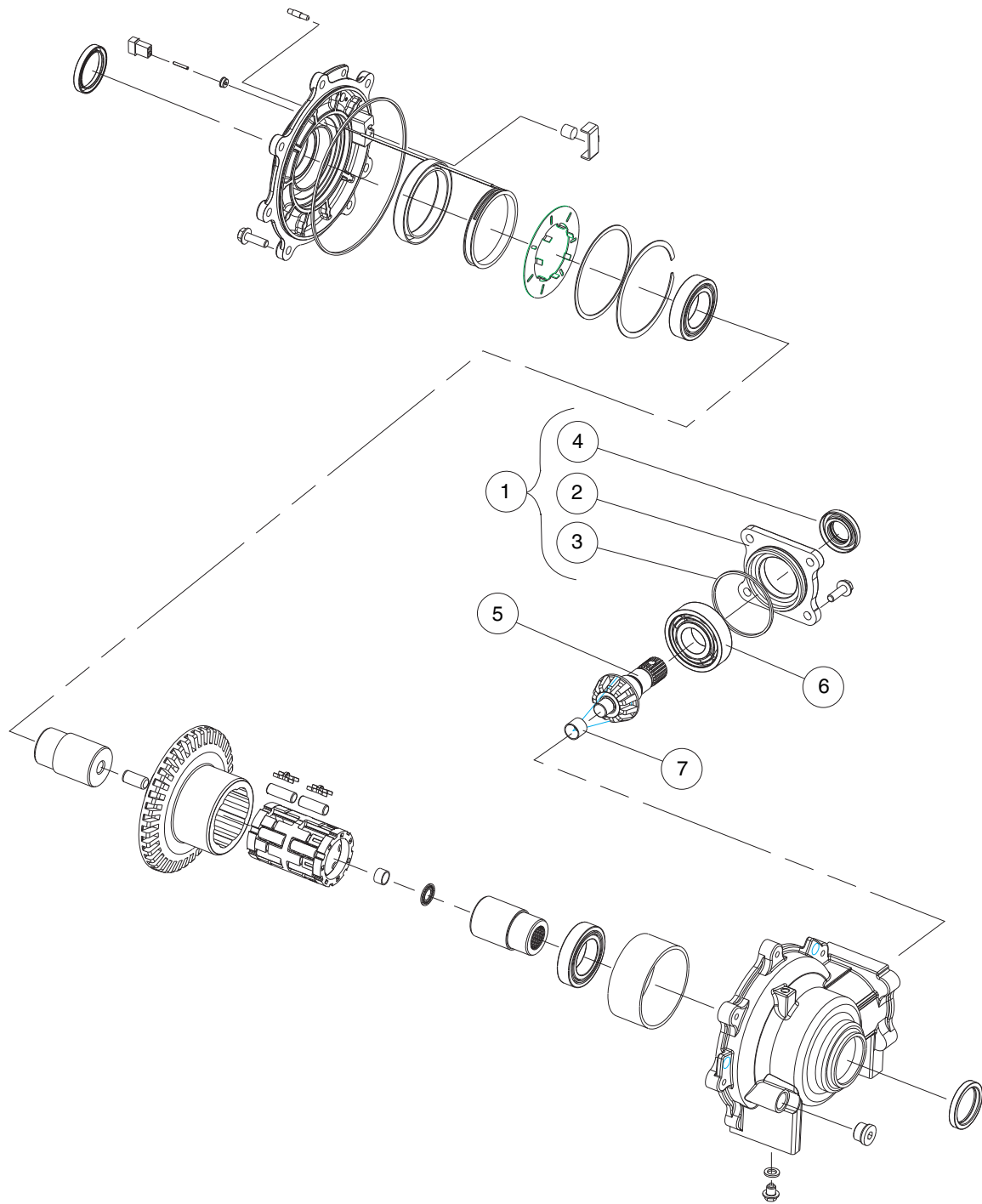
**G**

**D**

13

G

D



000010-002

## FRONT DIFFERENTIAL (INPUT COMPONENTS)

ITEM	PART NO.	DESCRIPTION	QTY
		1 2 3 4	
1	102440201	Kit, Assy, Input Cover Plate (includes items 2 through 4) .....	1
2	102440601	Cover, Input, Machined .....	1
3	N/A	O-Ring .....	1
4	N/A	Oil Seal, Triple-Lipped .....	1
5	102440401	Shaft, Pinion, Machined .....	1
6	102440501	Bearing, Ball .....	1
7	N/A	Bushing, Plain 16 Id X 15 Wide .....	1
<p>Note: This page contains a list of components internal to the front differential. See the previous pages for other front differential components.</p>			

13

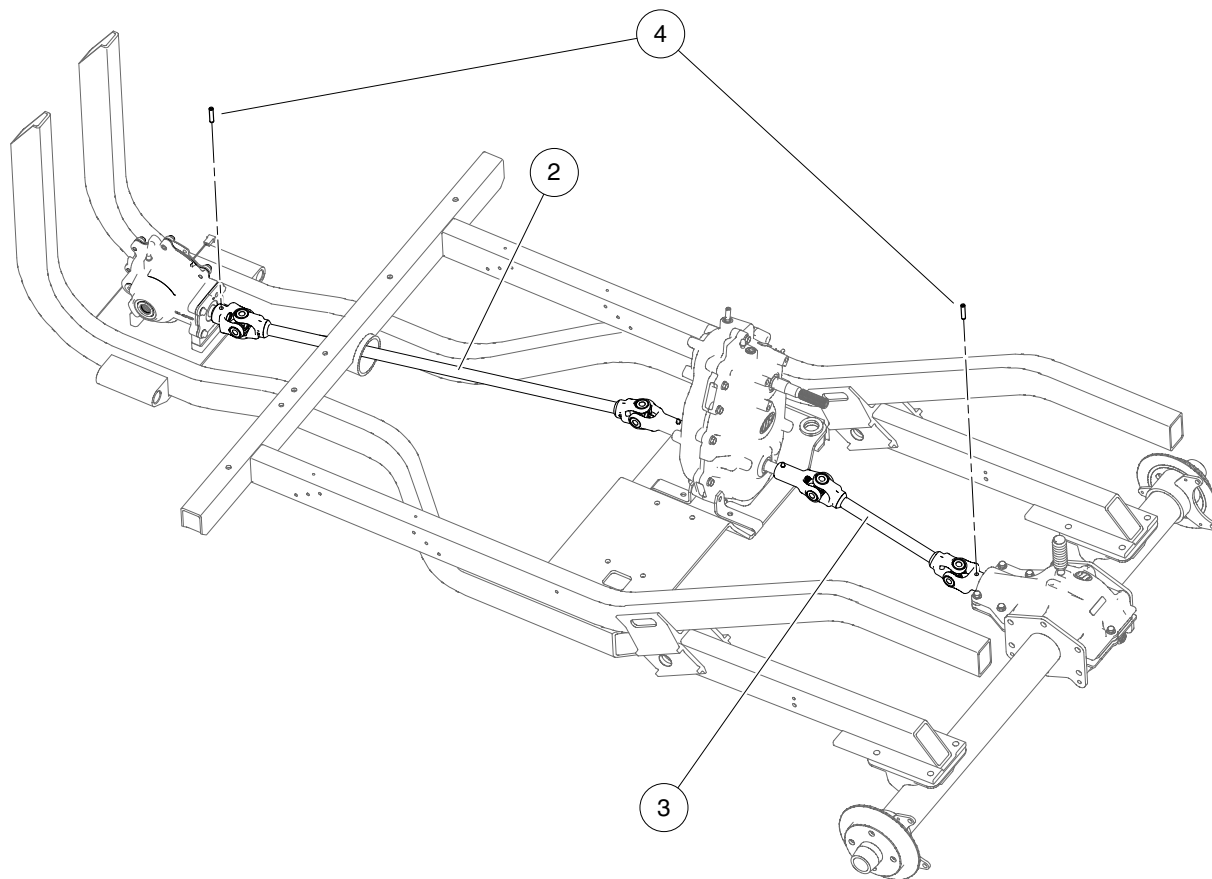
G

D

13

G

D



000091-001

# PROP SHAFTS

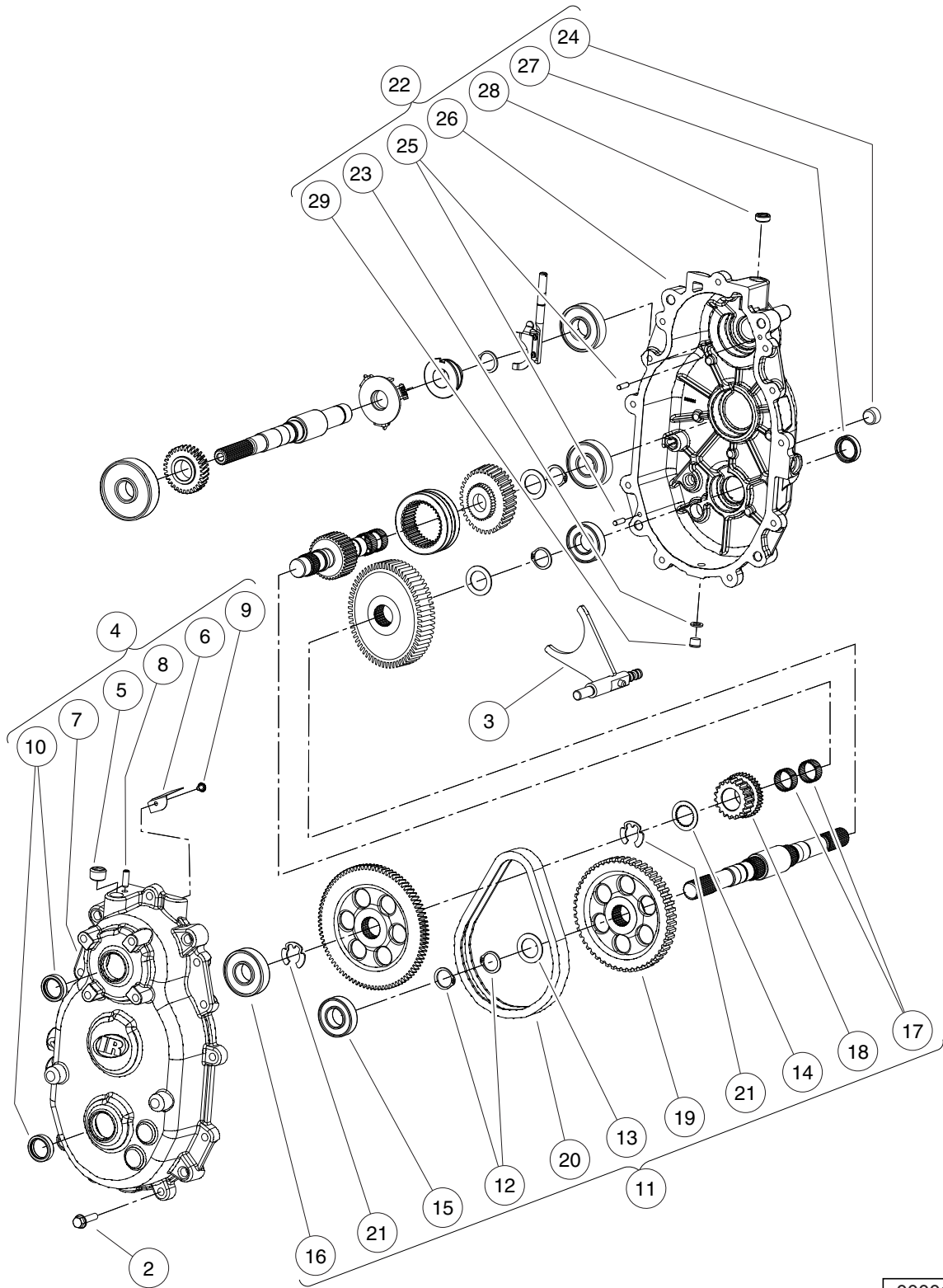
ITEM	PART NO.	DESCRIPTION	QTY
1	N/A	1 2 3 4 Inst, Prop Shafts, Awd (includes items 2 through 4) .....	1
2	102371701	Prop Shaft, Front .....	1
3	102372101	Prop Shaft, Rear .....	1
4	95293643	Pin, Spring, 5/16 X 1-1/2 Hd .....	2

**13**  
**G**  
**D**

13

G

D



000016-004



# TRANSMISSION – GASOLINE VEHICLES

ITEM	PART NO.	DESCRIPTION	QTY
		<b>1 2 3 4</b>	
1	103178401	Transmission, Parallel Shaft (includes items 2 through 22) .....	1
2	102693301	Screw,hex Flange, M8 X 35 .....	11
3	102697801	Fork, Transmission .....	1
4	102764201	Asm, Gear Case, Rear (includes items 5 through 10) .....	1
5	102694201	Plug, Square Skt, 1/12-14, Ptf .....	1
6	102696301	Oil, Deflector .....	1
7	102697401	Gearcase, Rear .....	1
8	102698301	Vent, Trans .....	1
9	102698901	Screw, Tapping # 10-24 X .375 .....	1
10	102699401	Seal, Triple, 25 X 35 X 7.8 .....	2
11	102765201	Kit, Reverse Gear Repair (includes items 12 through 21) .....	1
12	102696201	Ring, Retaining, Basic External .....	2
13	102696501	Washer, Thrust, 1.007 X .062 .....	1
14	102696701	Washer, 26.231 X 39.167 X 1.57 .....	1
15	102696801	Bearing, Ball .....	1
16	102696901	Bearing, Ball .....	1
17	102697101	Bearing, Needle .....	2
18	102697601	Sprocket, 19-Tooth .....	1
19	102697701	Sprocket, 51-Tooth .....	1
20	102699201	Chain, .375p, .75 Wide, 60ptch .....	1
21	102699701	Ring, Retaining, E-Ring .....	2
22	103250301	Asm, Case, Gear, Front (includes items 23 through 29) .....	1
23	102693501	Washer, .625 X .382 X .60 .....	1
24	102694201	Plug, Square Skt, 1/12-14, Ptf .....	1
25	102696101	Pin, Dowel, 6 X 20 .....	2
26	102697301	Gearcase, Front .....	1
27	102699401	Seal, Triple, 25 X 35 X 7.8 .....	1
28	102721501	Seal, Dual-Lip .....	1
29	103250401	Plug, 3/4-16 .....	1

13

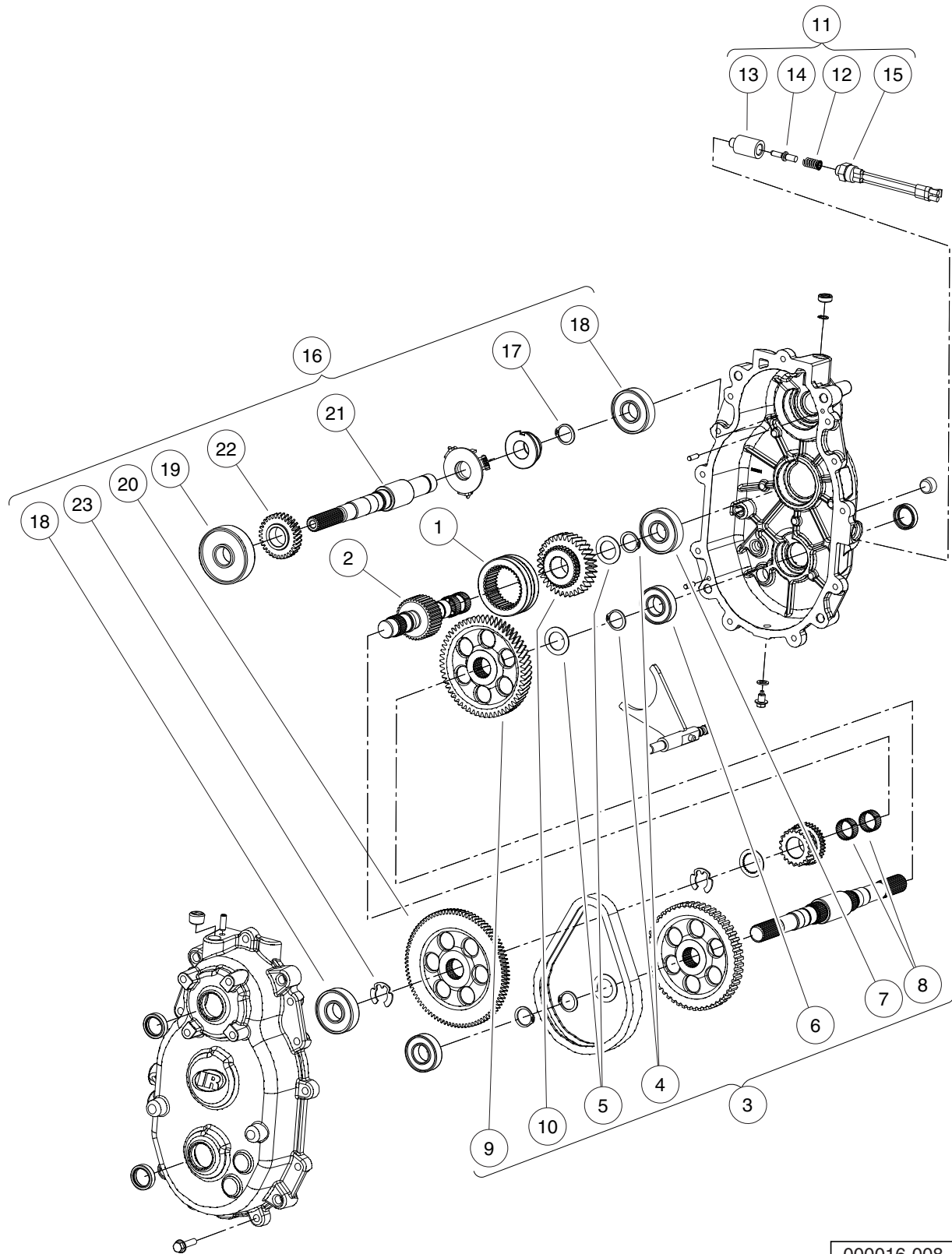
G

D

13

G

D



000016-008

## TRANSMISSION, CONTINUED

ITEM	PART NO.	DESCRIPTION	QTY
		<b>1 2 3 4</b>	
1	102697501	Dog, Engagement .....	1
2	102698701	Shaft, Intermediate .....	1
3	102764901	Kit, Forward Gear Repair (includes items 4 through 10) .....	1
4	102696201	Ring, Retaining, Basic External .....	2
5	102696501	Washer, Thrust, 1.007 X .062 .....	2
6	102696801	Bearing, Ball .....	1
7	102696901	Bearing, Ball .....	1
8	102697101	Bearing, Needle .....	2
9	102697901	Gear, Helical 58-Tooth .....	1
10	102698001	Gear, Helical 34-Tooth .....	1
11	102765101	Kit, Neutral Switch Repair (includes items 12 through 15) .....	1
12	102697201	Spring, .484 X .340 X 1.076 .....	1
13	N/A	Guide, Detent Bullet .....	1
14	102698601	Bullet, Detent .....	1
15	102699301	Switch, Indicator, Pollak .....	1
<p style="margin: 0;">Note: This page contains a list of components internal to the transmission. See the previous pages for other transmission components.</p>			

13

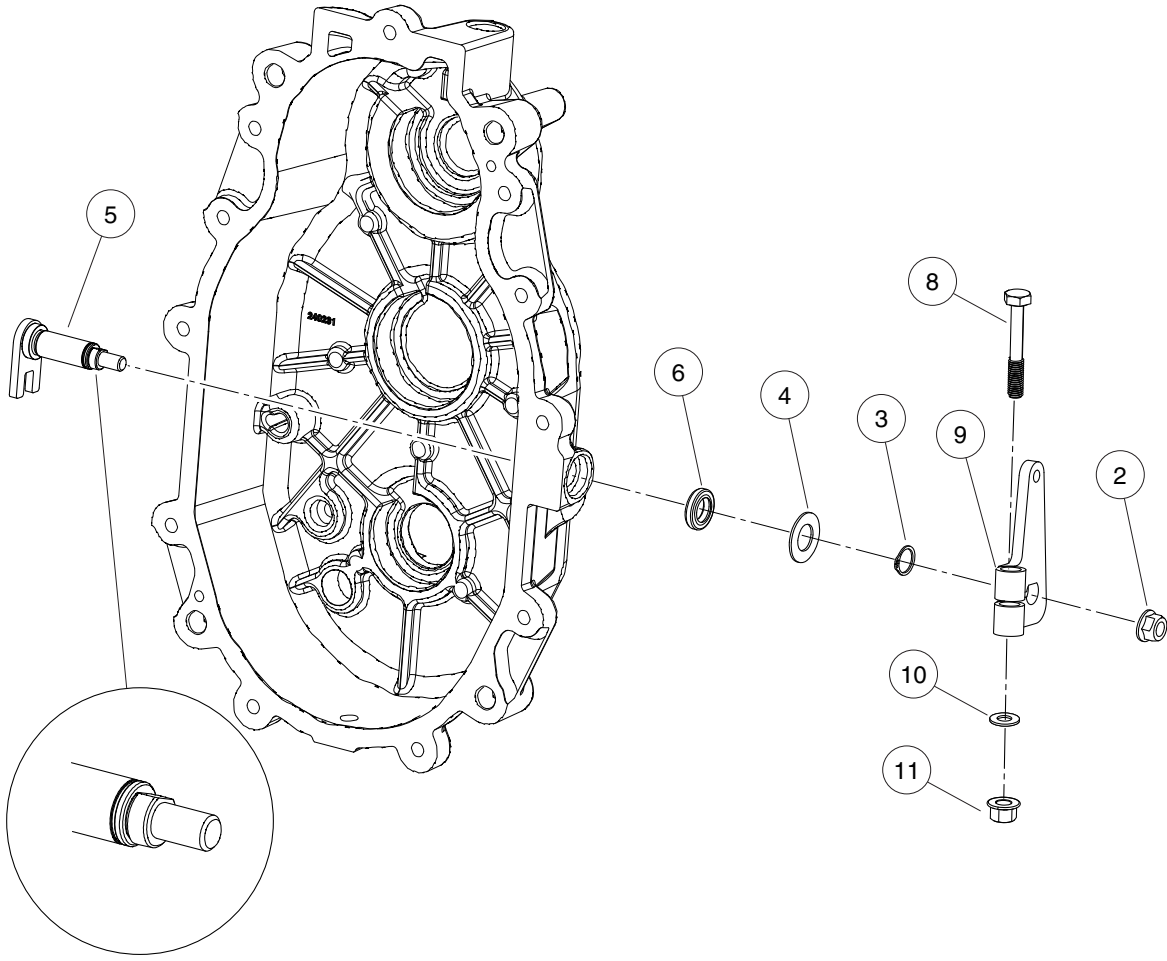
G

D

13

G

D



000016-009

# TRANSMISSION SHIFT SHAFT AND BELL CRANK TRANSMISSION SHIFT SHAFT AND BELL CRANK (STYLE

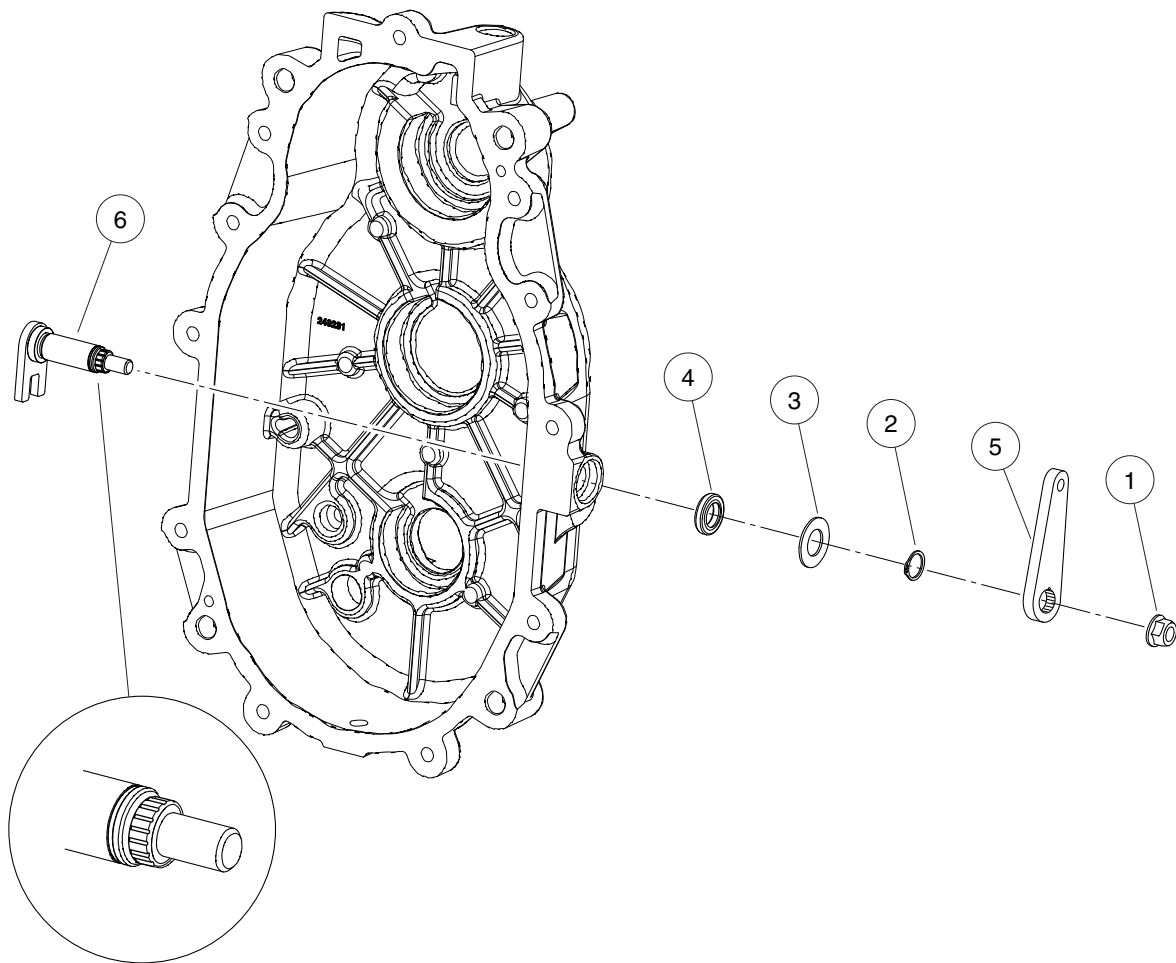
ITEM	PART NO.	DESCRIPTION	QTY
		<b>1 2 3 4</b>	
1	102765001	Kit, Trans Shift Shaft Repair (includes items 2 through 6) .....	1
2	102696001	Nut, Lock Hex, Nylon, 5/16-24 .....	1
3	102696401	Ring, Retaining, External 9/16 .....	1
4	102696601	Washer, Flat, .58 X 1.08 X .05 .....	1
5	N/A	Weldment, Shift, Shaft .....	1
6	102699601	Seal, Dul Lip, .88 X .56 X .19 .....	1
7	103294301	Kit, Bellcrank, D Shape, Clamp (includes items 8 through 11) .....	1
8	1010177	Bolt, 3/8-16 X 2.00 Hex Head .....	1
9	N/A	Asm, Bellcrank, D Shape, Clamp .....	1
10	334	Washer, 3/8 Type A Flat .....	1
11	8754	Locknut, 3/8-16 Hex .....	1

**13**  
**G**  
**D**

13

G

D



000016-010

## TRANSMISSION SHIFT SHAFT AND BELL CRANK (STYLE B)

ITEM	PART NO.	DESCRIPTION	QTY
		1 2 3 4	
1	102696001	Nut, Lock Hex, Nylon, 5/16-24 .....	1
2	102696401	Ring, Retaining, External 9/16 .....	1
3	102696601	Washer, Flat, .58 X 1.08 X .05 .....	1
4	102699601	Seal, Dul Lip, .88 X .56 X .19 .....	1
5	103239501	Bellcrank, Alum .....	1
6	103239801	Shaft, Shift .....	1

13

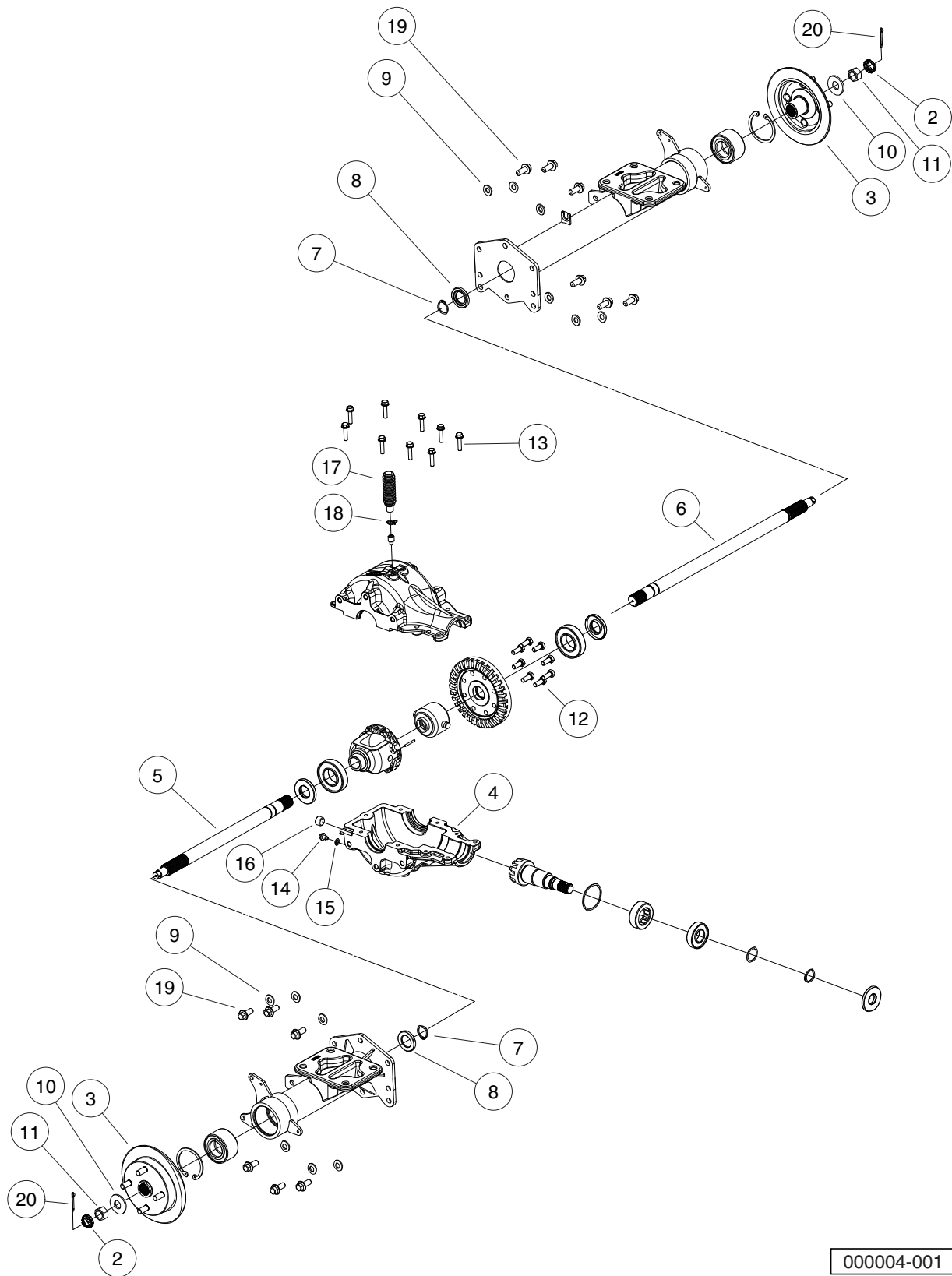
G

D

13

G

D



000004-001



# REAR DIFFERENTIAL

ITEM	PART NO.	DESCRIPTION	QTY
		1 2 3 4	
1	102831501	Axle, Rear, Guard Mounts (Complete Assembly) (includes items 2 through 20) .....	1
2	102276001	Locking Cap, Nut .....	2
3	102376602	Assy, Rotor, Brake, Rear .....	2
4	102449101	Gearcase, Lower, Machined .....	1
5	102463501	Axle, Right-hand .....	1
6	102463601	Axle, Left-Hand .....	1
7	102463801	Ring, Retaining, Internal .....	2
8	102672101	Washer, counterbored 51 X 30 .....	2
9	102672201	Washer, Belleville, 1.063 X .043 .....	12
10	102672301	Washer, Belleville, 49 X 4 .....	2
11	102672401	Nut, Hex, M20 X 1.5 , Modified .....	2
12	N/A	Screw, M10 X 25 .....	8
13	102693301	Screw, hex Flange, M8 X 35 .....	9
14	102693401	Plug, 3/8-16, Hex Flange .....	1
15	102693501	Washer, .625 X .382 X .60 .....	1
16	102694201	Plug, Square Skt, 1/12-14, Ptf .....	1
17	102694301	Bellows, Vent, Upper Housing .....	1
18	102694401	Clamp, Hose, Dw-9.5 .....	1
19	102694701	Screw, Hex Fl, M12 X 1.75 X 30 .....	12
20	102694801	Pin, Cotter, 5/32 X 1.25 .....	2

**13**

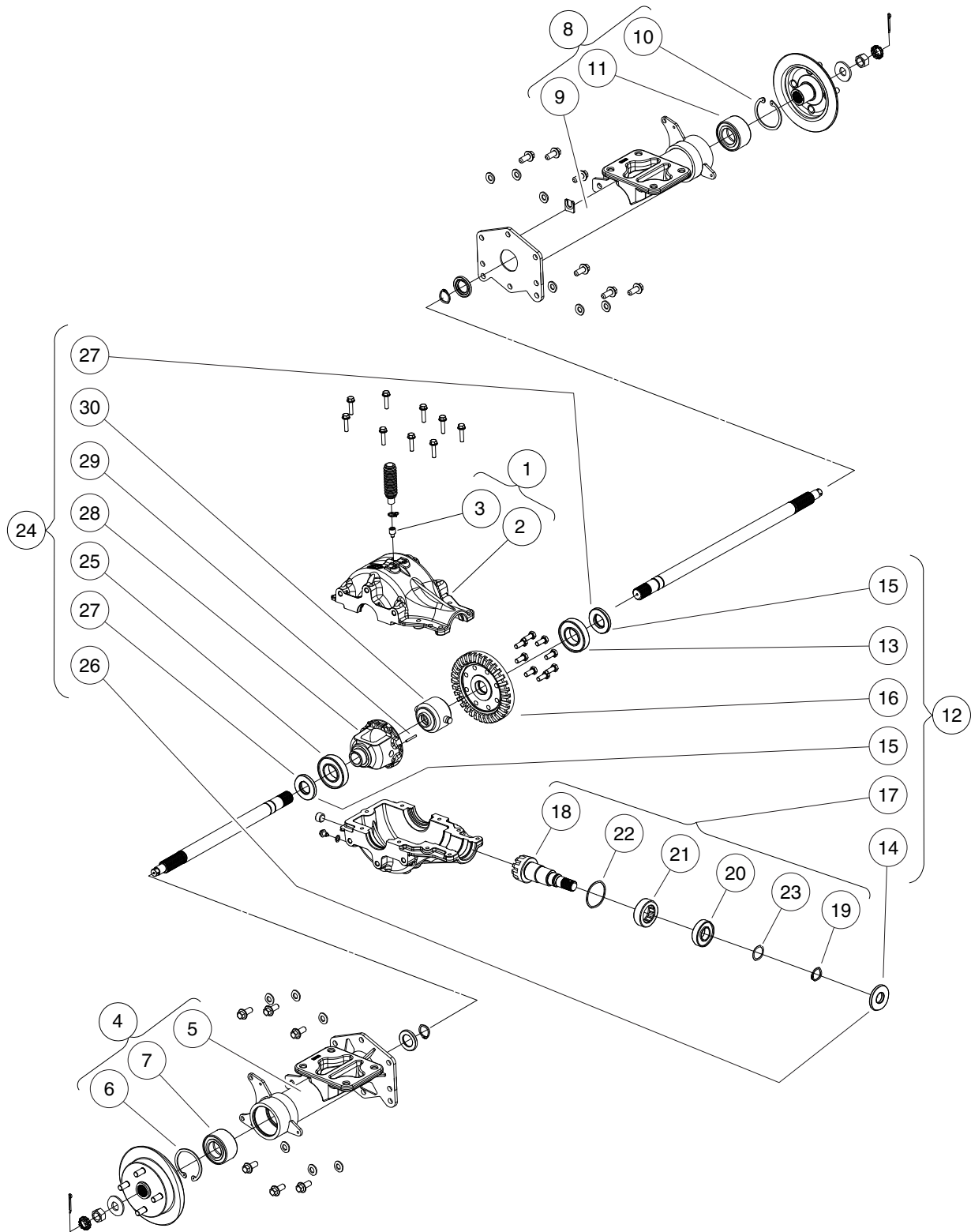
**G**

**D**

13

G

D



000004-002

## REAR DIFFERENTIAL, CONTINUED

ITEM	PART NO.	DESCRIPTION	QTY
		<b>1 2 3 4</b>	
1	102765301	Asm, Gearcase, Upper (includes items 2 and 3) .....	1
2	102449201	Gearcase, Upper, Machined .....	1
3	102694001	Vent, Top, Upper Housing .....	1
4	102765401	Asm, Axle Tube, RH (includes items 5 through 7) .....	1
5	102463401	Weldment, Axle Tube Rh .....	1
6	102463801	Ring, Retaining, Internal .....	1
7	102464301	Bearing .....	1
8	102765501	Asm, Axle Tube, LH (includes items 9 through 11) .....	1
9	102463301	Weldment, Axle Tube Lh .....	1
10	102463801	Ring, Retaining, Internal .....	1
11	102464301	Bearing .....	1
12	102765801	Kit, Rear Axle Gear Repair (includes items 13 through 17) .....	1
13	102464201	Bearing, Ball .....	1
14	102464401	Seal, Dual-Lip 25x 62x 7tc .....	1
15	102464501	Seal, Dual-Lip 30x 62x 8tc .....	2
16	102762601	Gear, Ring, 33-Tooth .....	1
17	102765701	Asm, Pinion W/ Bearings (includes items 18 through 23) .....	1
18	102463101	Pinion, 10t Machined .....	1
19	102463901	Ring, Retaining, External .....	1
20	102464001	Bearing, Ball .....	1
21	102464101	Bearing, Needle, Drawn Shell .....	1
22	102693601	Washer, 2.625 X 2.367 X .06 .....	1
23	102694502	Shim, 1.50 X 1.189 X .008 .....	1
24	102961501	Asm, Differential & Carrier (includes items 25 through 30) .....	1
25	102464201	Bearing, Ball .....	1
26	102464401	Seal, Dual-Lip 25x 62x 7tc .....	1
27	102464501	Seal, Dual-Lip 30x 62x 8tc .....	2
28	102961301	Housing, Differential, Mach .....	1
29	102961401	Pin, Dowel, 4 X 35 .....	1
30	102961601	Asm, Locker, Nongrease/Spacers .....	1

**13**

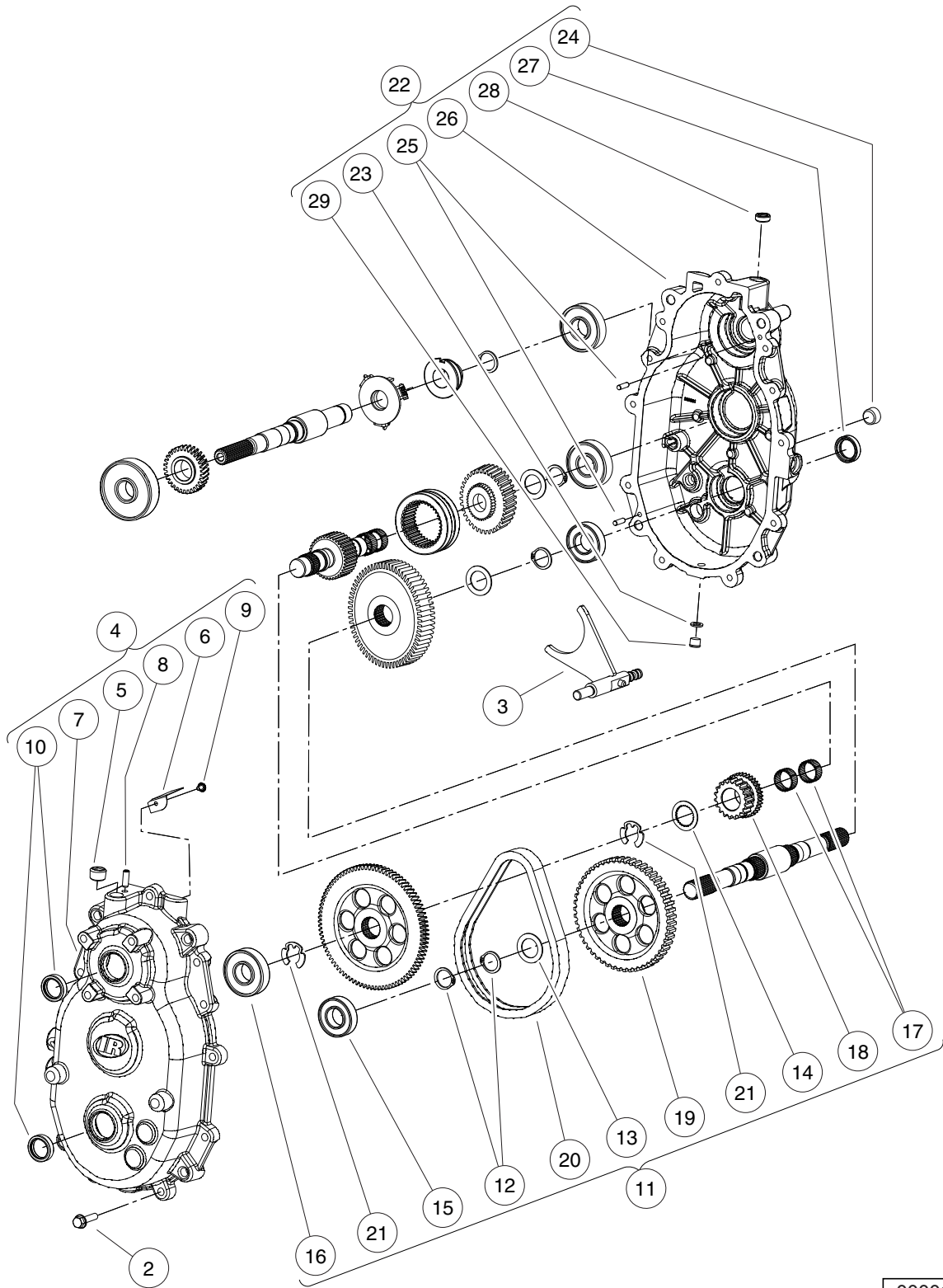
**G**

**D**

13

G

D



000016-006

## TRANSMISSION – DIESEL VEHICLES

ITEM	PART NO.	DESCRIPTION	QTY
		<b>1 2 3 4</b>	
1	102943201	Transmission, Diesel, Parallel Shaft (includes items 2 through 22) .....	1
2	102693301	Screw,hex Flange, M8 X 35 .....	11
3	102697801	Fork, Transmission .....	1
4	102764201	Asm, Gear Case, Rear (includes items 5 through 10) .....	1
5	102694201	Plug, Square Skt, 1/12-14, Ptf .....	1
6	102696301	Oil, Deflector .....	1
7	102697401	Gearcase, Rear .....	1
8	102698301	Vent, Trans .....	1
9	102698901	Screw, Tapping # 10-24 X .375 .....	1
10	102699401	Seal, Triple, 25 X 35 X 7.8 .....	2
11	102765201	Kit, Reverse Gear Repair (includes items 12 through 21) .....	1
12	102696201	Ring, Retaining, Basic External .....	2
13	102696501	Washer, Thrust, 1.007 X .062 .....	1
14	102696701	Washer, 26.231 X 39.167 X 1.57 .....	1
15	102696801	Bearing, Ball .....	1
16	102696901	Bearing, Ball .....	1
17	102697101	Bearing, Needle .....	2
18	102697601	Sprocket, 19-Tooth .....	1
19	102697701	Sprocket, 51-Tooth .....	1
20	102699201	Chain, .375p, .75 Wide, 60ptch .....	1
21	102699701	Ring, Retaining, E-Ring .....	2
22	103250301	Asm, Case, Gear, Front (includes items 23 through 29) .....	1
23	102693501	Washer, .625 X .382 X .60 .....	1
24	102694201	Plug, Square Skt, 1/12-14, Ptf .....	1
25	102696101	Pin, Dowel, 6 X 20 .....	2
26	102697301	Gearcase, Front .....	1
27	102699401	Seal, Triple, 25 X 35 X 7.8 .....	1
28	102721501	Seal, Dual-Lip .....	1
29	103250401	Plug, 3/4-16 .....	1

**13**

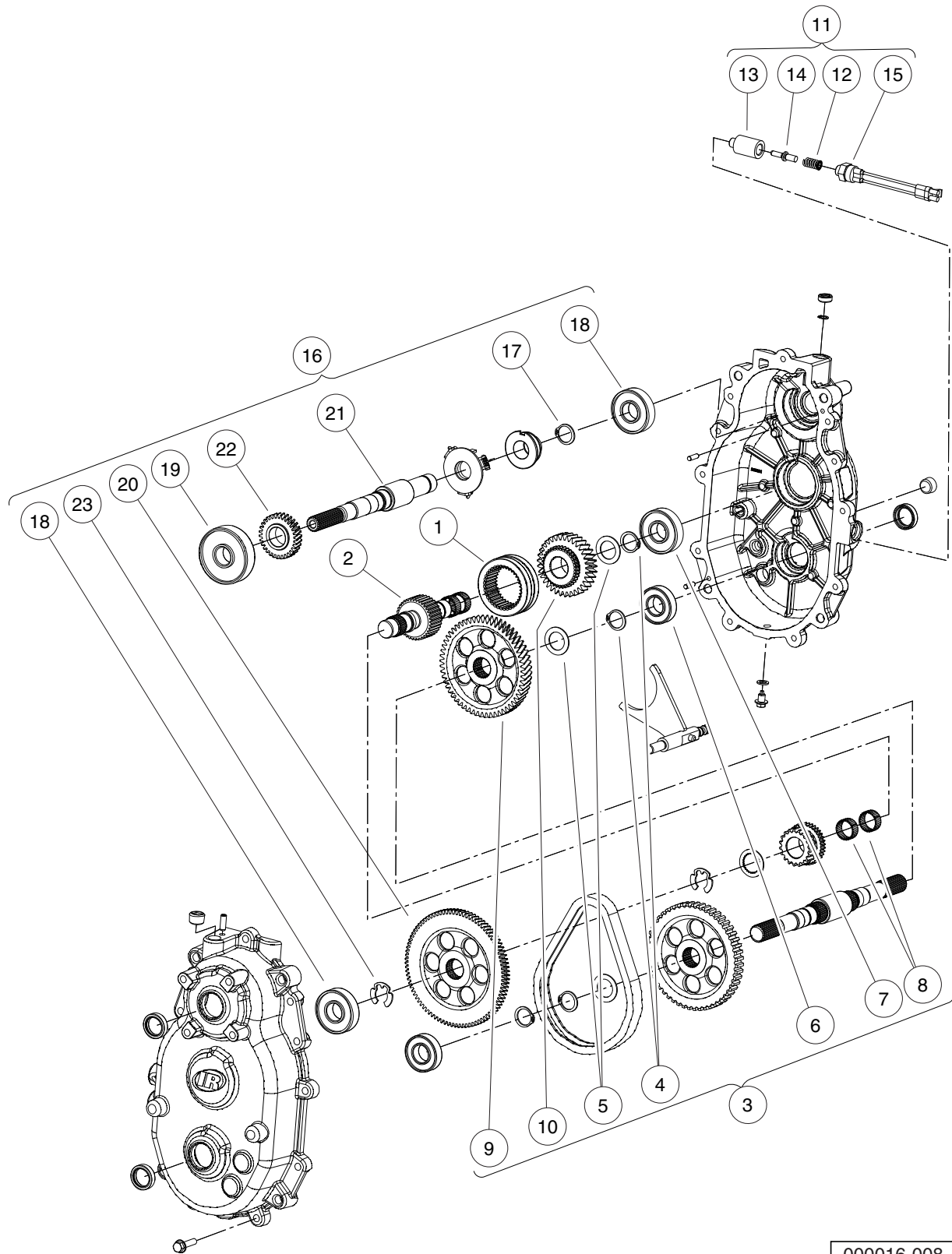
**G**

**D**

13

G

D



000016-008

## TRANSMISSION – DIESEL VEHICLES, CONTINUED

ITEM	PART NO.	DESCRIPTION	QTY
		1 2 3 4	
1	102697501	Dog, Engagement .....	1
2	102698701	Shaft, Intermediate .....	1
3	102764901	Kit, Forward Gear Repair (includes items 4 through 10) .....	1
4	102696201	Ring, Retaining, Basic External .....	2
5	102696501	Washer, Thrust, 1.007 X .062 .....	2
6	102696801	Bearing, Ball .....	1
7	102696901	Bearing, Ball .....	1
8	102697101	Bearing, Needle .....	2
9	102697901	Gear, Helical 58-Tooth .....	1
10	102698001	Gear, Helical 34-Tooth .....	1
11	102765101	Kit, Neutral Switch Repair (includes items 12 through 15) .....	1
12	102697201	Spring, .484 X .340 X 1.076 .....	1
13	N/A	Guide, Detent Bullet .....	1
14	102698601	Bullet, Detent .....	1
15	102699301	Switch, Indicator, Pollak .....	1
16	103721801	Kit, Input Shaft Repair (includes items 17 through 23) .....	1
17	102696201	Ring, Retaining, Basic External .....	1
18	102696901	Bearing, Ball .....	1
19	102697001	Bearing, Ball .....	2
20	102698101	Gear, Helical 90-Tooth .....	1
21	102698401	Shaft, Input .....	1
22	102699001	Gear, Helical, 31-tooth .....	1
23	102699701	Ring, Retaining, E-Ring .....	1

13

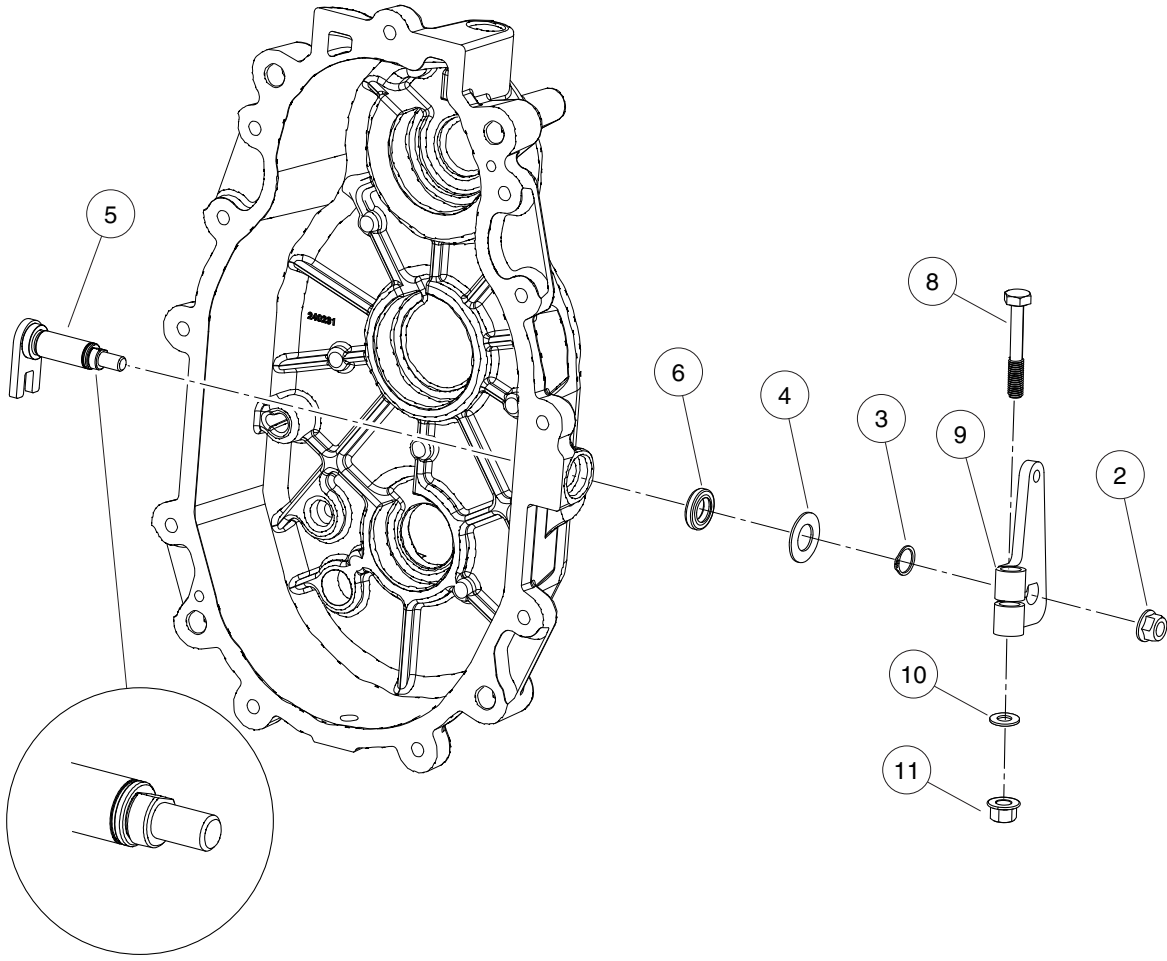
G

D

13

G

D



000016-009



# TRANSMISSION – DIESEL VEHICLES, SHIFT SHAFT AND BELL CRANK (STYLE A)

ITEM	PART NO.	DESCRIPTION	QTY
		1 2 3 4	
1	102765001	Kit, Trans Shift Shaft Repair (includes items 2 through 6) .....	1
2	102696001	Nut, Lock Hex, Nylon, 5/16-24 .....	1
3	102696401	Ring, Retaining, External 9/16 .....	1
4	102696601	Washer, Flat, .58 X 1.08 X .05 .....	1
5	N/A	Weldment, Shift, Shaft .....	1
6	102699601	Seal, Dul Lip, .88 X .56 X .19 .....	1
7	103294301	Kit, Bellcrank, D Shape, Clamp (includes items 8 through 11) .....	1
8	1010177	Bolt, 3/8-16 X 2.00 Hex Head .....	1
9	N/A	Asm, Bellcrank, D Shape, Clamp .....	1
10	334	Washer, 3/8 Type A Flat .....	1
11	8754	Locknut, 3/8-16 Hex .....	1

**13**

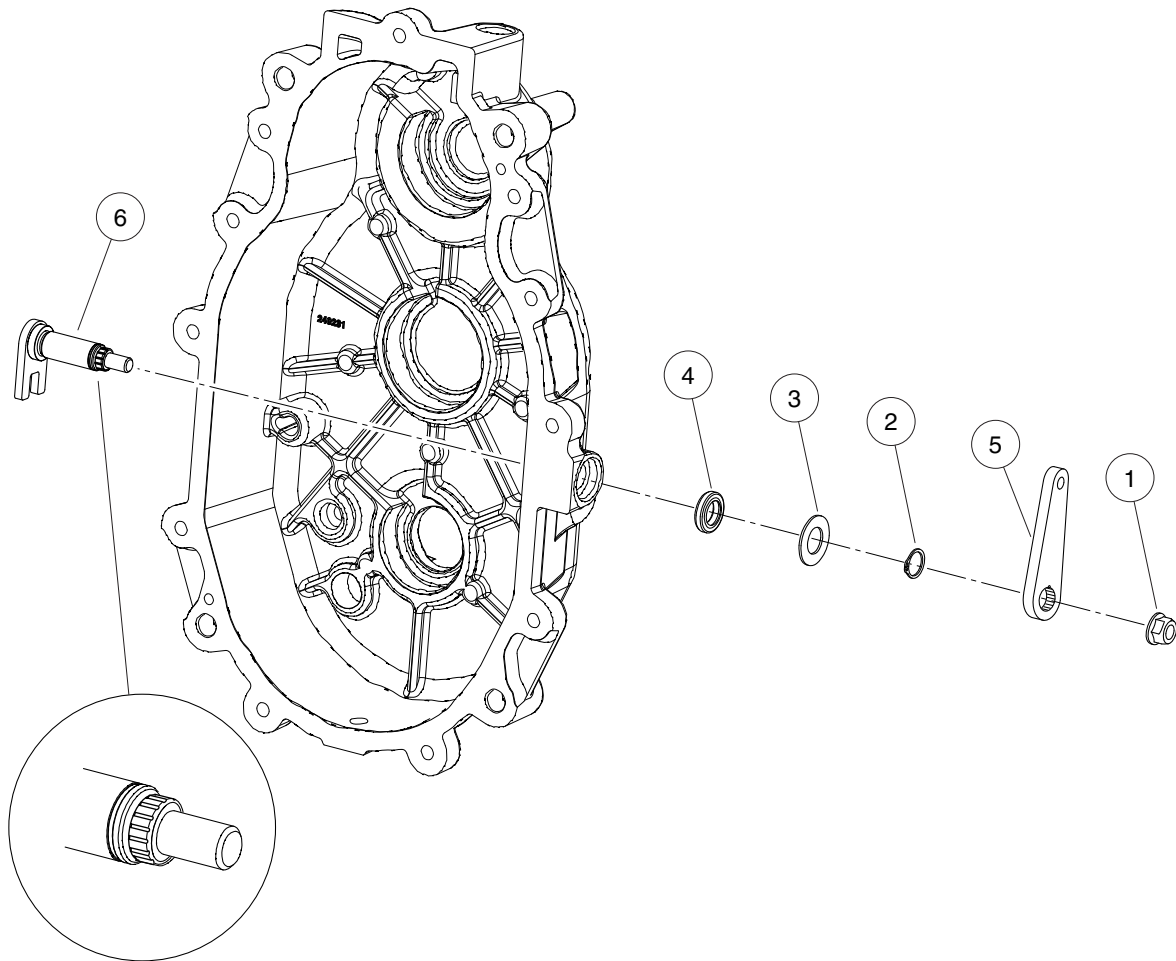
**G**

**D**

13

G

D



000016-010

# TRANSMISSION – DIESEL VEHICLES, SHIFT SHAFT AND BELL CRANK (STYLE B)

ITEM	PART NO.	DESCRIPTION	QTY
		<b>1 2 3 4</b>	
1	102696001	Nut, Lock Hex, Nylon, 5/16-24 .....	1
2	102696401	Ring, Retaining, External 9/16 .....	1
3	102696601	Washer, Flat, .58 X 1.08 X .05 .....	1
4	102699601	Seal, Dul Lip, .88 X .56 X .19 .....	1
5	103239501	Bellcrank, Alum .....	1
6	103239801	Shaft, Shift .....	1

**13**

**G**

**D**

**13**

**G**

**D**

# RADIATOR AND COOLANT SYSTEM – DIESEL VEHICLES

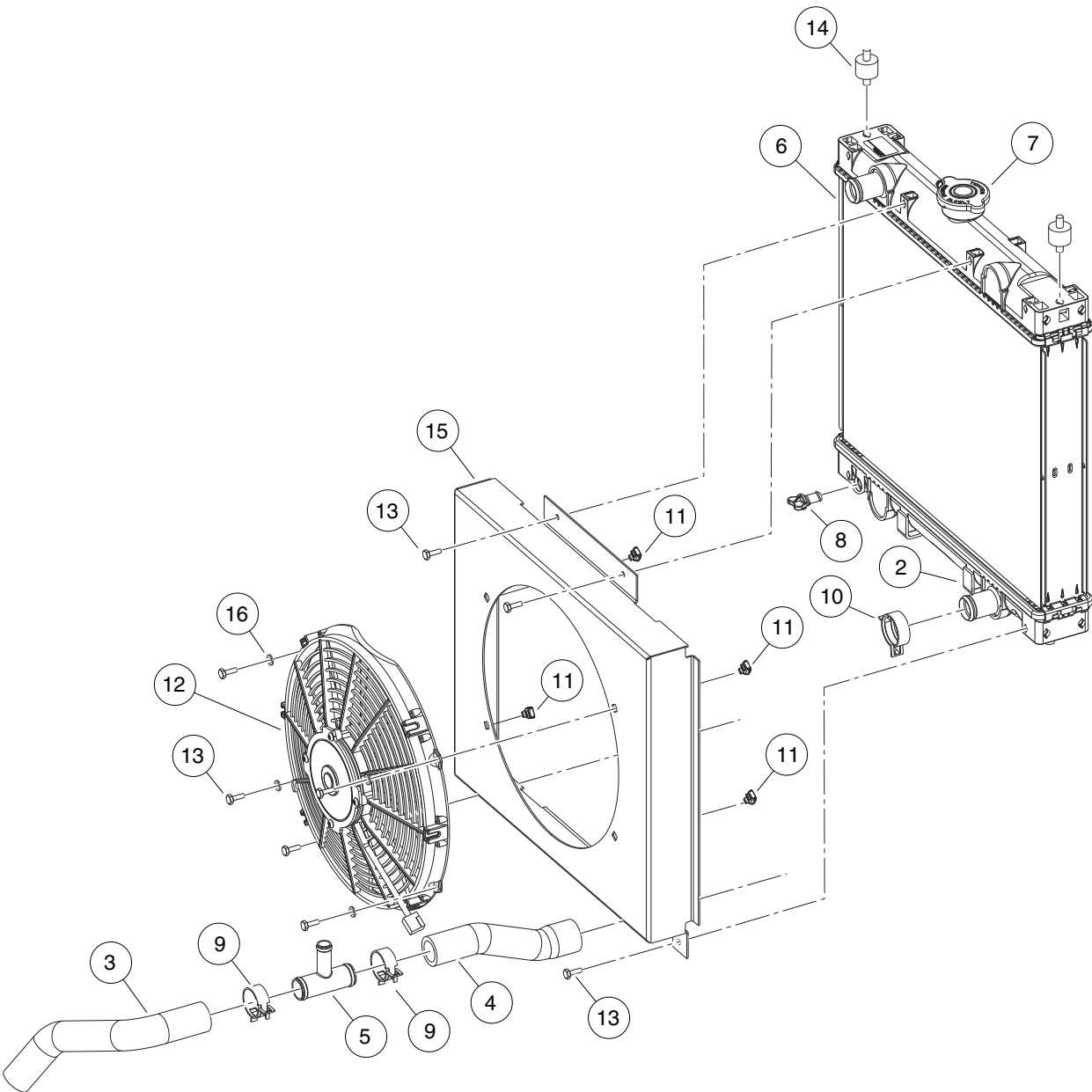
---

14

*D*

14

D



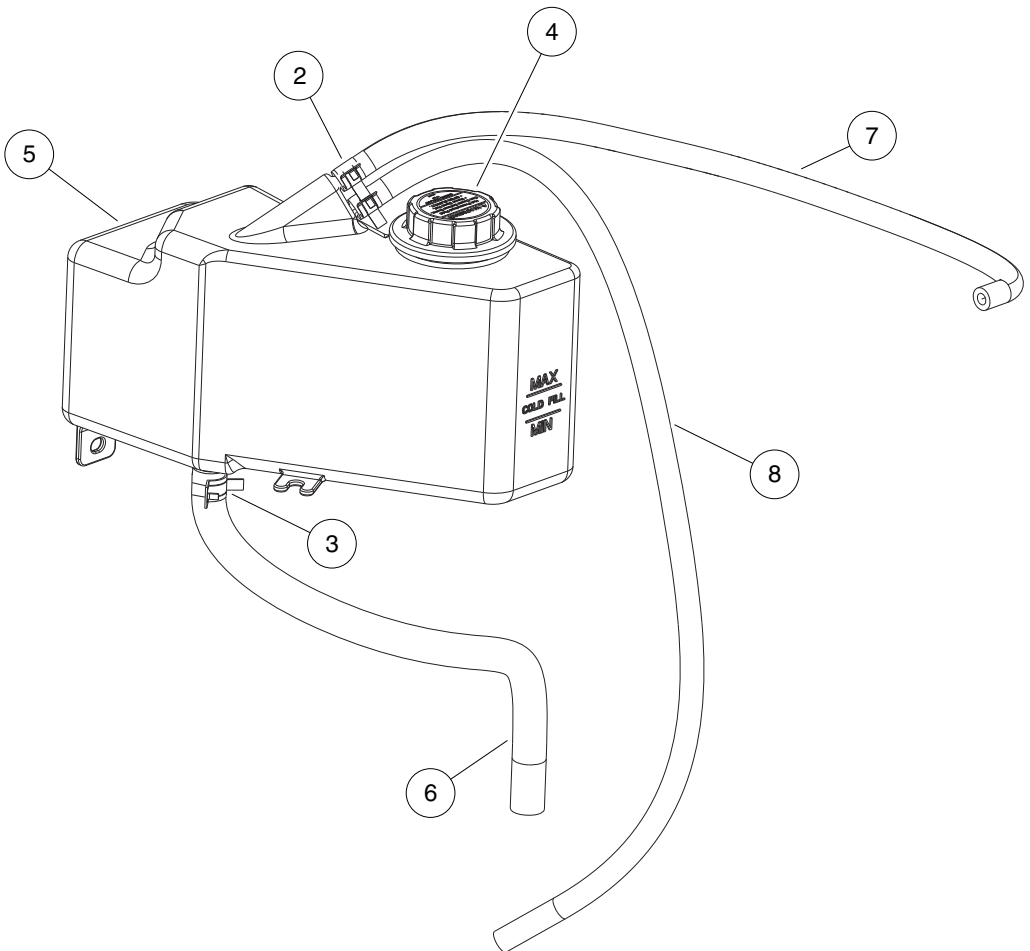
000541-001

# RADIATOR

**14**

**D**

ITEM	PART NO.	DESCRIPTION	QTY
		<b>1 2 3 4</b>	
1	N/A	Asm, Radiator (includes items 2 through 16) .....	1
2	1014471	Tape, Vinyl Foam 1/8" x 3/4" * .....	1
3	102377801	Hose, Coolant Lower Pipe .....	1
4	102377901	Hose, Coolant Lower Rad .....	1
5	102380301	Tee, Coolant Fill .....	1
6	102410301	Exchanger, Engine Coolant (includes items 7 and 8) .....	1
7	102737301	Cap, Radiator .....	1
8	102737401	Drain Cock, Radiator .....	1
9	102411207	Clamp, Hose, Ctb 35mm .....	2
10	102411208	Clamp, Hose, Ctb 38mm .....	1
11	102411301	Nut, Self Retaining .....	4
12	102436701	Fan, Cooling 12 In Elect .....	1
13	102490301	Bolt, M6 X 1 X 16 Loctite .....	8
14	102685001	Isolator, Twin-Stud .....	2
15	102855501	Shroud, Radiator Fan .....	1
16	96705199	Washer, M6 .....	4
		 * Note: Item not shown.	



000540-001



# COOLANT EXPANSION TANK

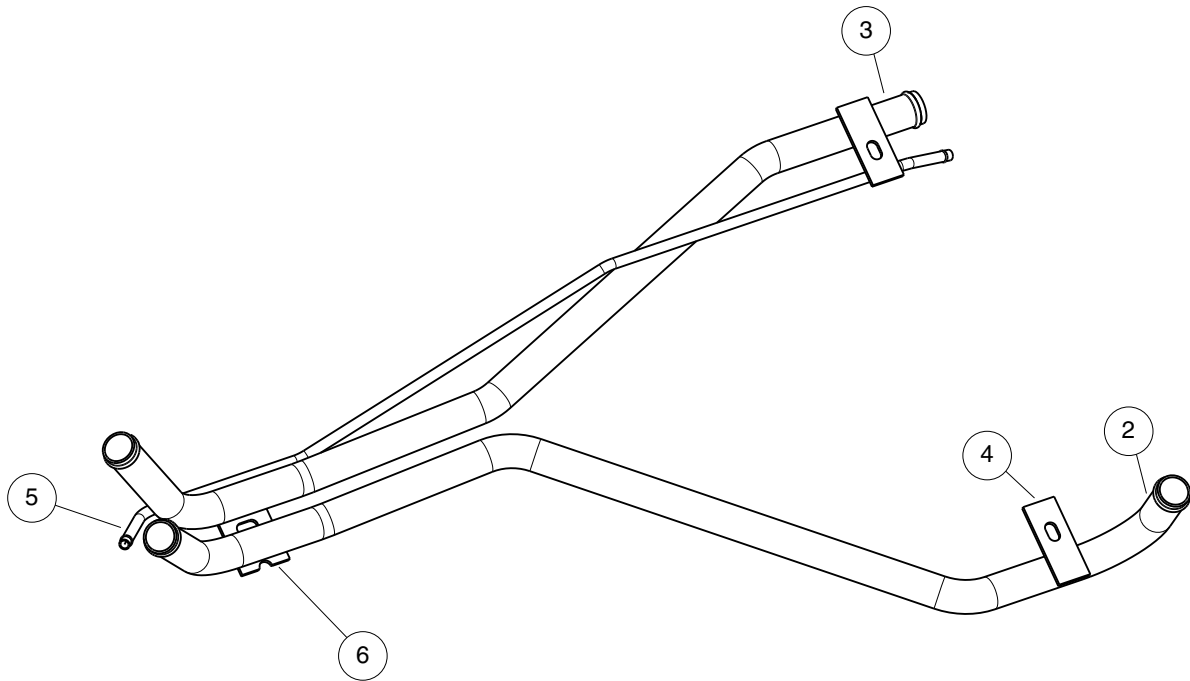
ITEM	PART NO.	DESCRIPTION	QTY
		1 2 3 4	
1	N/A	Asm, Coolant Bottle (includes items 2 through 8) .....	1
2	102411204	Clamp, Hose, CTB 15mm .....	2
3	N/A	Clamp, Hose, Ctb 25mm .....	1
4	102427501	Cap, Radiator .....	1
5	102973201	Bottle, Coolant .....	1
6	N/A	Hose, Cut, 5/8, 445 .....	1
7	N/A	Hose, Cut, Coolant, 700 .....	1
8	N/A	Hose, Cut, Coolant, 1100 .....	1

14

D

14

D



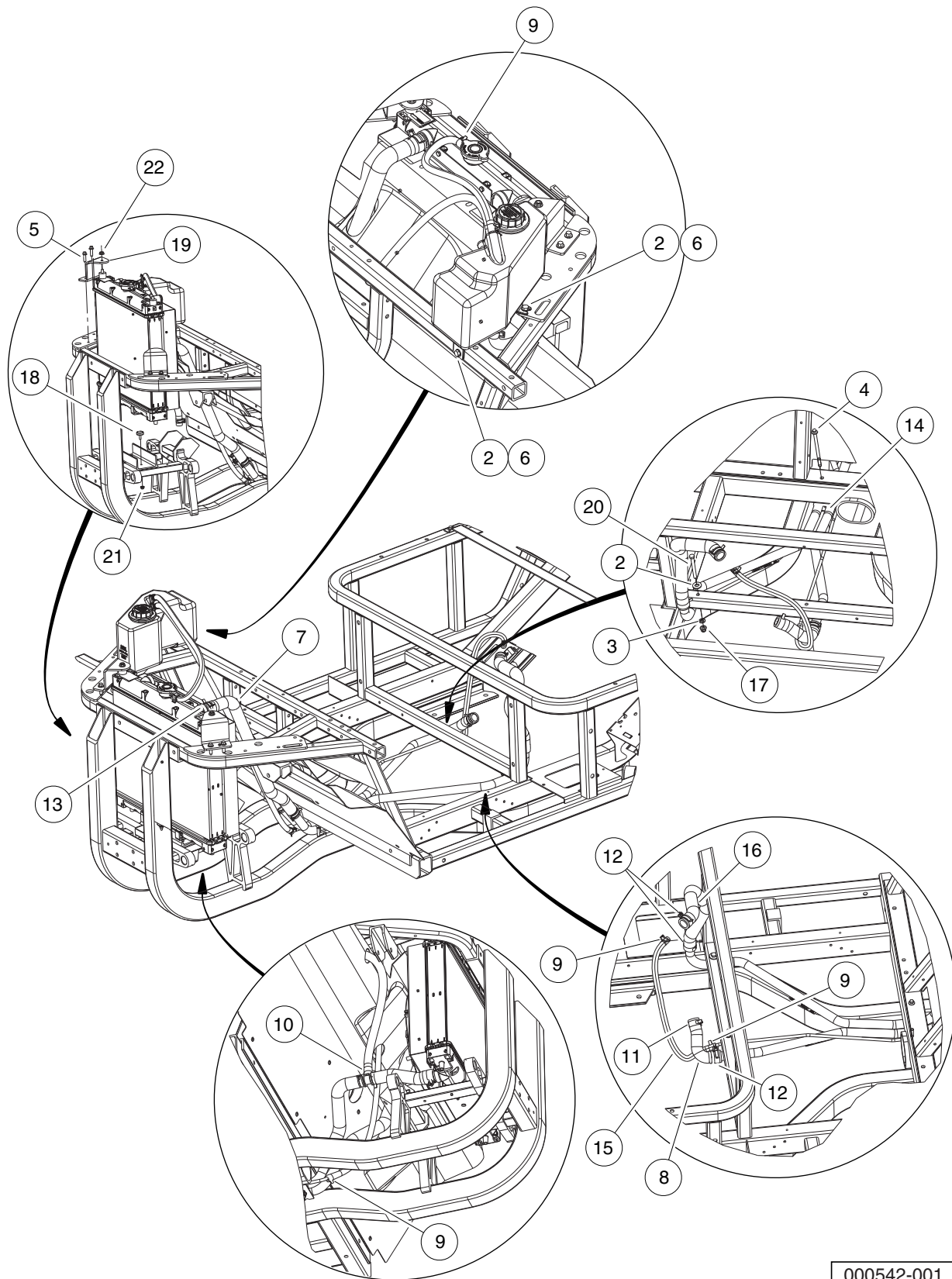
000539-001

# COOLANT PIPES AND HOSES

ITEM	PART NO.	DESCRIPTION	QTY
		<b>1 2 3 4</b>	
1	102628701	Weldment, Group, Coolant Pipe (includes items 2 through 6) .....	1
2	102377401	Pipe, Coolant Upper .....	1
3	102377701	Pipe, Coolant Lower .....	1
4	N/A	Tab, Rear Mntg, Coolant Pipe .....	2
5	N/A	Pipe, Vent, Coolant .....	1
6	N/A	Tab, Cooling Pipe Mount .....	1

14

D



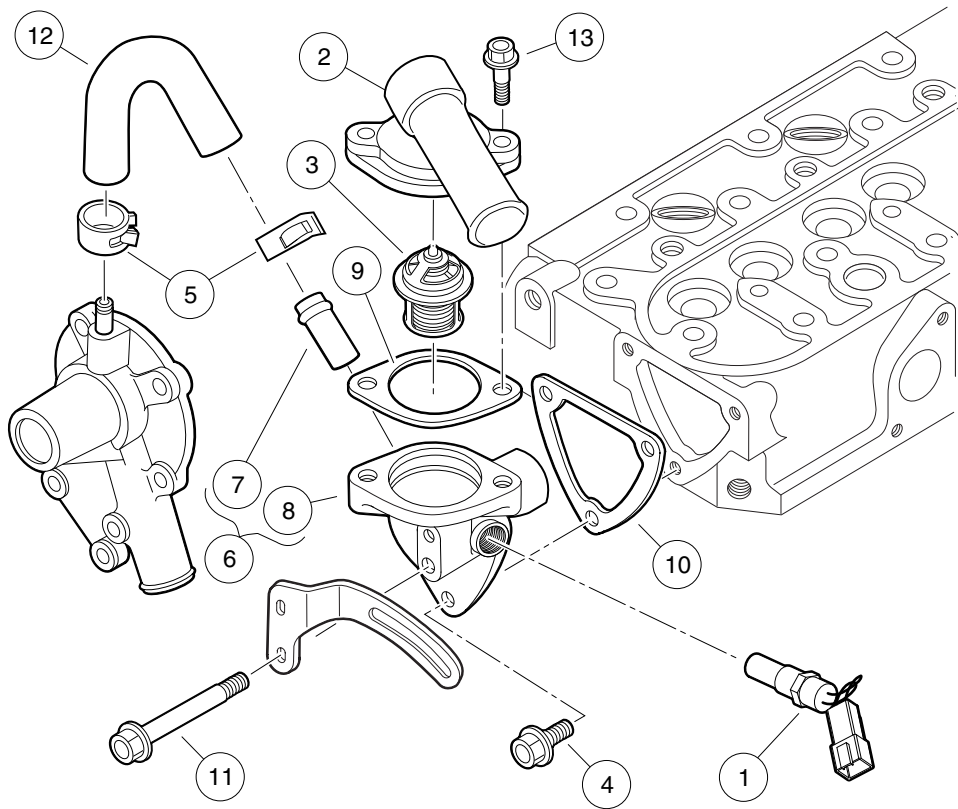
000542-001

# COOLING SYSTEM CLAMPS, HOSES, AND HARDWARE

ITEM	PART NO.	DESCRIPTION	QTY
		1 2 3 4	
1	N/A	Instl, System, Cooling, Diesel (includes items 2 through 22) .....	1
2	1011578	Washer, 5/16 Type B Flat .....	3
3	1015457	Spacer, 0.720" .....	1
4	102288901	Bolt - Hex, M8x1.25 X 135 .....	1
5	102289001	Screw, M8X1.25X30, Hex .....	4
6	102298720	M8-1.25x20 Taptite .....	2
7	102377501	Hose, Coolant Upper Rad .....	1
8	102377601	Hose, Coolant Lower Eng .....	1
9	102411204	Clamp, Hose, CTB 15mm .....	4
10	102411205	Clamp, Hose, CTB 22mm .....	1
11	102411206	Clamp, Hose, Ctb 30mm .....	1
12	102411207	Clamp, Hose, Ctb 35mm .....	5
13	102411208	Clamp, Hose, Ctb 38mm .....	1
14	102427601	Clamp, Bar .....	1
15	102435001	Hose, Vent Tube To Eng, Coolnt .....	1
16	102480501	Hose, Coolant, Return, Engine .....	1
17	102618601	Lock Nut, Flg M8 X 1.25 Nylon .....	3
18	102684901	Bumper, 19mm Stud .....	2
19	102946701	Bracket, Radiator Support .....	2
20	103423701	Bolt, M8 X 1.25 X 110 .....	1
21	96704176	Nut Flg, M6 X 1 Serrated .....	2
22	96704416	Nut Flg, M8 X 1.25 Serrated .....	2

14

D



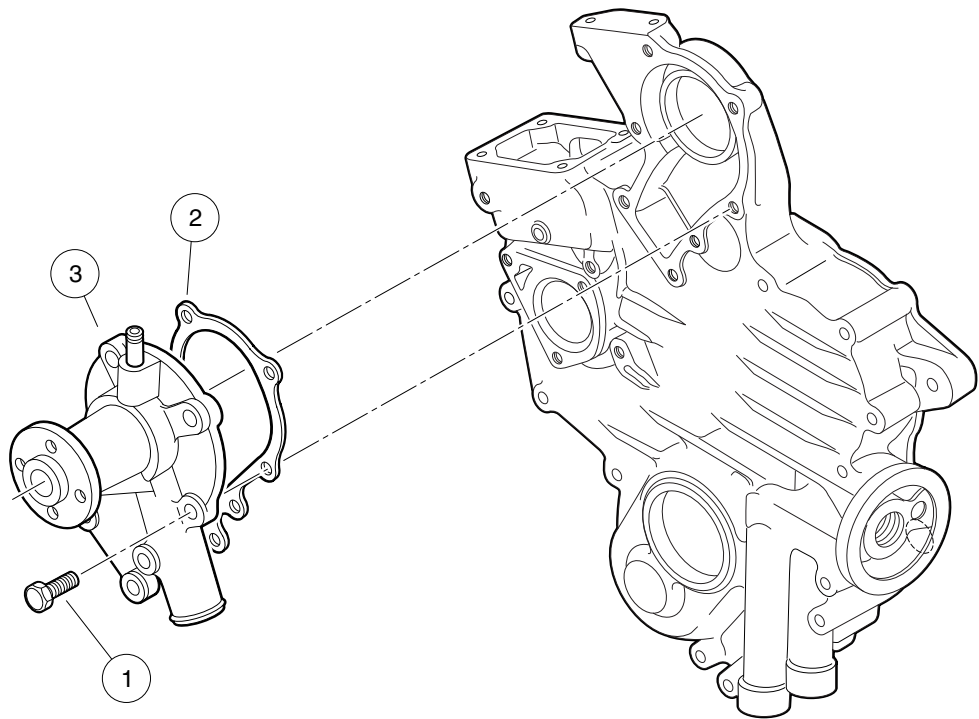
000059-001

# WATER FLANGE AND THERMOSTAT

ITEM	PART NO.	DESCRIPTION	QTY
		1 2 3 4	
1	102410001	Sensor, Coolant Temp .....	1
2	102631301	Cover, Thermostat .....	1
3	102631401	Assy, Thermostat .....	1
4	102631601	Bolt, M6 X 1 X 20 .....	2
5	102633001	Band, Pipe .....	2
6	102633201	Flange, Water (includes items 7 and 8) .....	1
7	102633301	Pipe, Water Return, D722 .....	1
8	N/A	Flange, Water .....	1
9	102633401	Gasket, Thermostat .....	1
10	102654701	Gasket, Water Flange .....	1
11	102730901	Bolt, Alt, D722, Stay Lower .....	1
12	102731001	Pipe, Water Return, D722 .....	1
13	102731101	Bolt, D722, Thermostat Cover .....	2

14

D



000060-001



# WATER PUMP

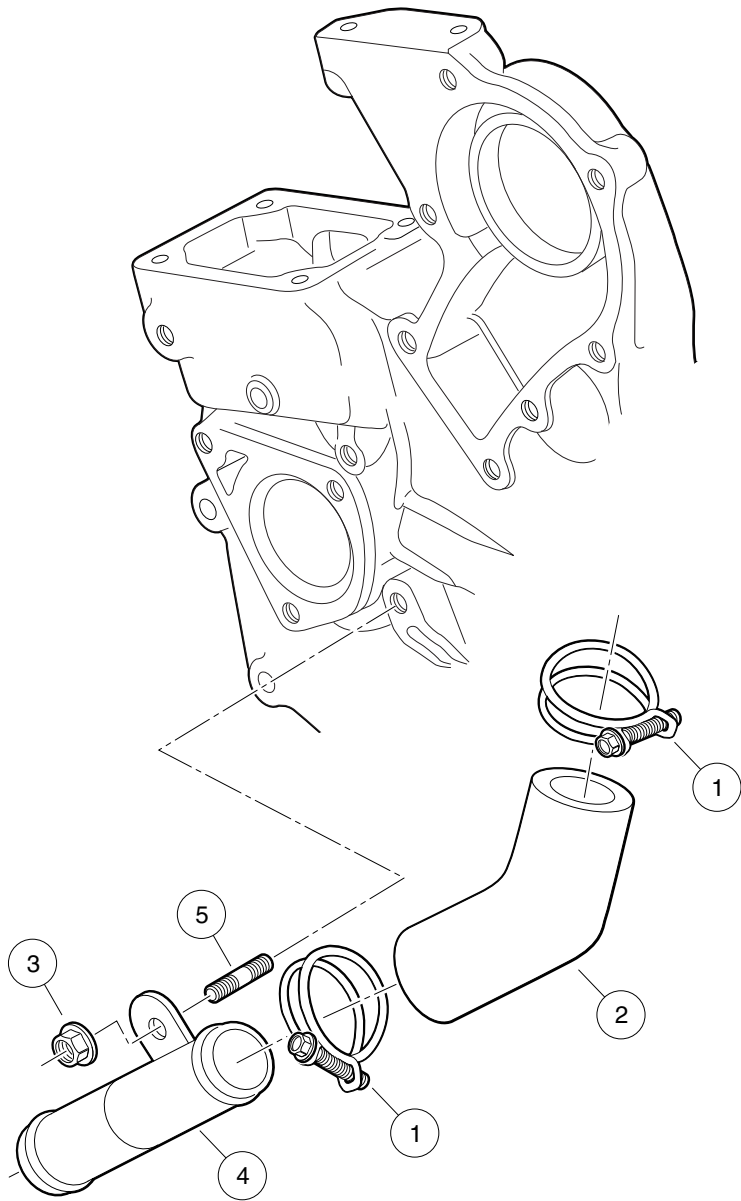
ITEM	PART NO.	DESCRIPTION	QTY
		1 2 3 4	
1	102608701	Bolt, M6 X 1 X 22 .....	4
2	102632701	Gasket, Water Pump, D722 .....	1
3	102731201	Water Pump Assembly .....	1

14

D

14

D



000061-001

# BLOCK COOLANT PIPE

ITEM	PART NO.	DESCRIPTION	QTY
		<b>1 2 3 4</b>	
1	102631701	Band, Pipe, with Nut .....	2
2	102631801	Pipe, Water, Bent .....	1
3	102632001	Nut, Flange, M6 .....	1
4	102632101	Pipe, Water, Bent .....	1
5	102632201	Stud, M6 X 15 .....	1

**14**

**D**

14

*D*

# MAINTENANCE AND SERVICE TOOLS

---

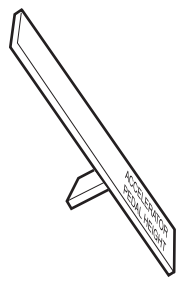
15

G

E

D

**15**  
**G**  
**E**  
**D**



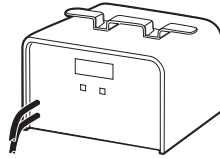
1



2



3



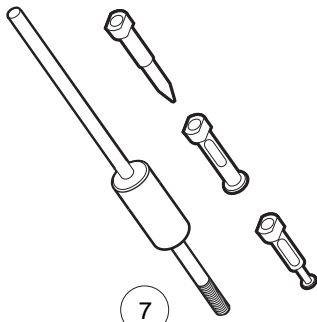
4



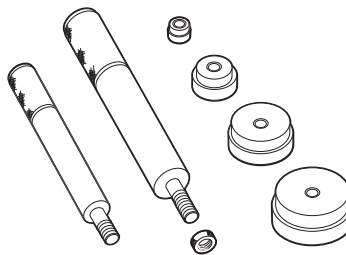
5



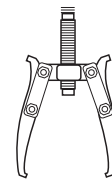
6



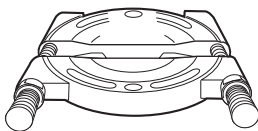
7



8



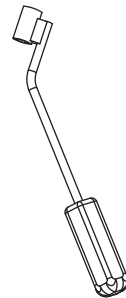
9



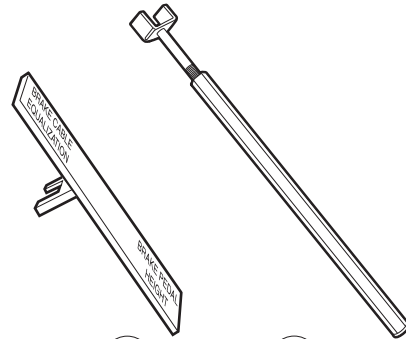
10



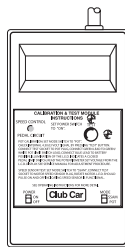
11



12



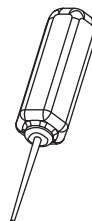
14  
15  
13



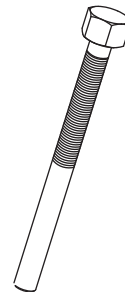
16



17



18



19

# MAINTENANCE AND SERVICE TOOLS

ITEM	PART NO.	DESCRIPTION	QTY DIESEL	QTY GAS	QTY ELEC
		<p><b>1 2 3 4</b></p> <p>The following tool list includes all tools available from Club Car for maintenance and service procedures for gasoline, electric, and/or diesel vehicles, both past and present models. Be sure to carefully examine the tool list for applicability to your vehicle before ordering.</p>			
1	101871001	Accelerator Pedal Adjustment Tool .....		1	1
2	101813202	Adhesive, Guide Ring, 3-Gram Tube .....			1
3	101641202	Arbor .....		1	
4	101831901	Battery Discharge Machine, 36/48 Volt .....			1
5	1014305	Battery Terminal Protector Spray .....	1	1	1
6	1011767	Battery Thermometer .....	1	1	1
7	1016417	Bearing and Oil Seal Remover Assembly .....	1	1	1
8	1016416	Bearing Driver Set .....	1	1	1
9	1012811	Bearing Puller .....	1	1	1
10	1012812	Bearing Puller Wedge Attachment .....	1	1	1
11	1013582	Brake Adjustment Tool (used only on vehicles with manually adjusted mechanical brakes) .....		1	1
12	102555501	Brake Cable Release Tool .....	1	1	1
13	102249901	Brake Pedal Adjustment Tool Kit (used for the Carryall Electric Industrial Truck only) (includes items 14 and 15).....			1
14	****	Brake Pedal Adjustment Tool .....			1
15	****	Brake Pedal Tension Tool .....			1
16	101887101	Calibration Test Module .....			1
17	101808401	Cam Installation Tool .....		1	
18	102562401	Charger Bezel Tool .....			1
19	102686101	Clutch Removal Tool (for 4x4 vehicles) .....	1	1	
		<p>Please refer to the maintenance and service manual for proper tool application.</p> <p>**** Special order item available upon request</p>			

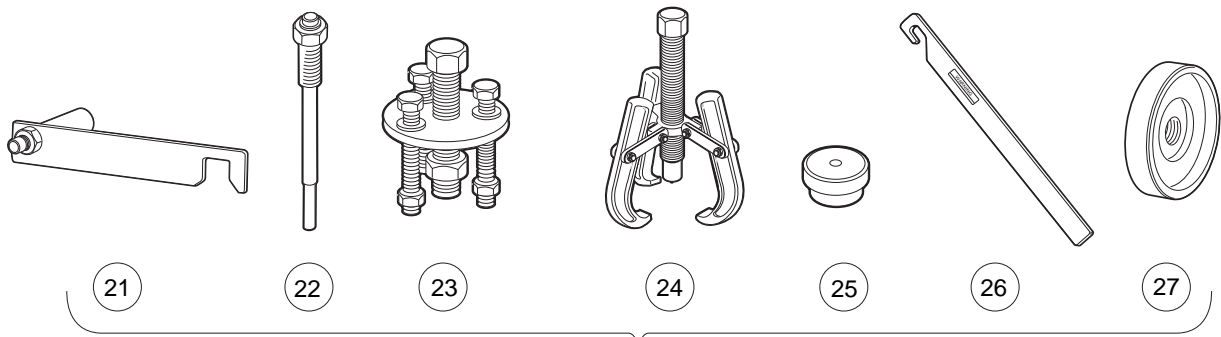
**15**

**G**

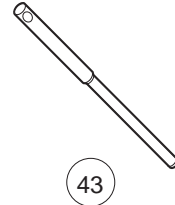
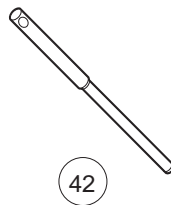
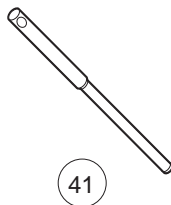
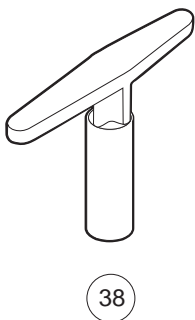
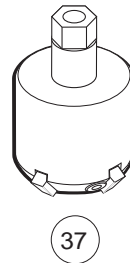
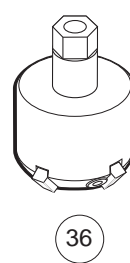
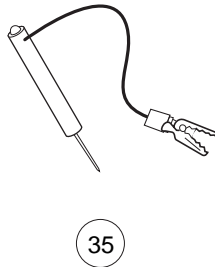
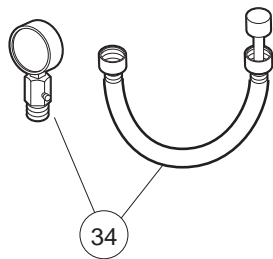
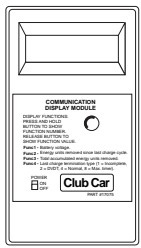
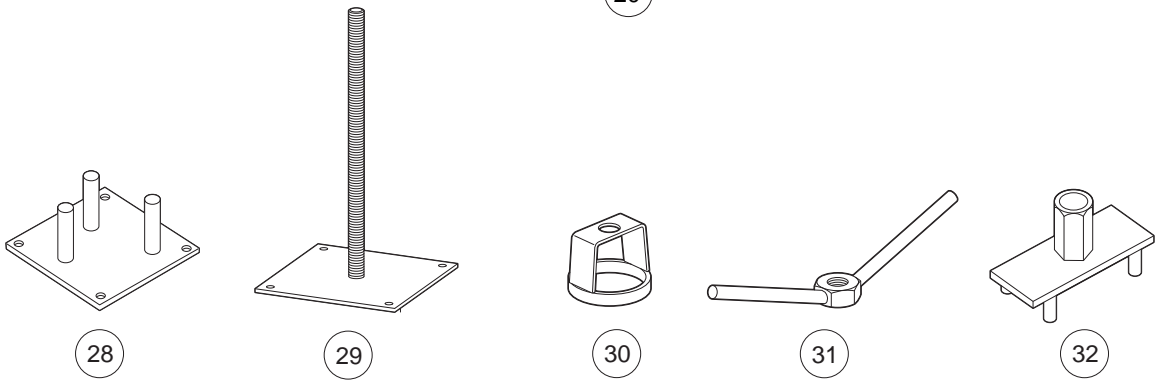
**E**

**D**

**15**  
**G**  
**E**  
**D**



20





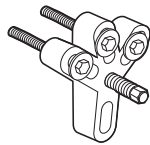
## MAINTENANCE AND SERVICE TOOLS, CONTINUED

ITEM	PART NO.	DESCRIPTION	QTY	QTY	QTY	15
			DIESEL	GAS	ELEC	
		1 2 3 4				G
20	1014510	Clutch Tool Kit (includes items 21 - 27) .....		1		E
21	1014498	Clutch Alignment Tool (for pre-unitized transaxle vehicles built prior to 1997 model year) .....		1		D
22	1014496	Drive Clutch Puller (for Kawasaki engines only) .....		1		
23	1014497	Drive Clutch Hub Puller (for Kawasaki engines only) .....		1		
24	1014508	Driven Clutch Cam Puller (for Kawasaki engines only) .....		1		
25	1014507	Driven Clutch Puller Plug (for Kawasaki engines only) .....		1		
26	1015524	Drive Clutch Holder Tool Assembly (for Kawasaki engines only) .....		1		
27	101809101	Press Weldment (for Kawasaki engines only) .....		1		
28	102601501	Drive ClutchFixed Sheave Tool (for 4x4 vehicles) .....	1	1		
29	102603501	Driven Clutch Spring Compression Base (for use with items 30 and 31) (for 4x4 vehicles) .....	1	1		
30	102605201	Driven Clutch Spring Compression Collar (for use with items 29 and 31) (for 4x4 vehicles) .....	1	1		
31	102606101	Driven Clutch Spring Compression Nut (for use with items 29 and 30) (for 4x4 vehicles) .....	1	1		
32	102607501	Drive Clutch Spider Removal Tool (for 4x4 vehicles) .....	1	1		
33	101831801	Communication Display Module .....			1	
34	101641002	Compression Gauge and Adapter .....		1		
35	1011273	Continuity Tester .....		1	1	
36	102773801	Cutter, Valve Seat, #122 .....		1		
37	102773901	Cutter, Valve Seat #115 .....		1		
38	102774101	Wrench, T, #505.....		1		
39	102774101	Adapter, T-Wrench.....		1		
40	102675401	Cutter, Valve Seat, 60 Degree (requires item 51) (for Honda GX620 Gasoline Engines) .....		1		
41	102774201	Pilot, 6.6 MM .....		1		
42	102774301	Pilot, 6.62 MM.....		1		
43	102774401	Pilot, 6.65 MM.....		1		
		Please refer to the maintenance and service manual for proper tool application.				

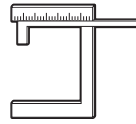
**15**  
**G**  
**E**  
**D**



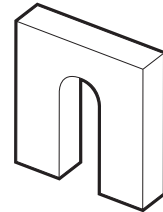
44



45



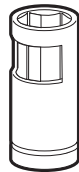
46



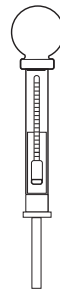
47



48



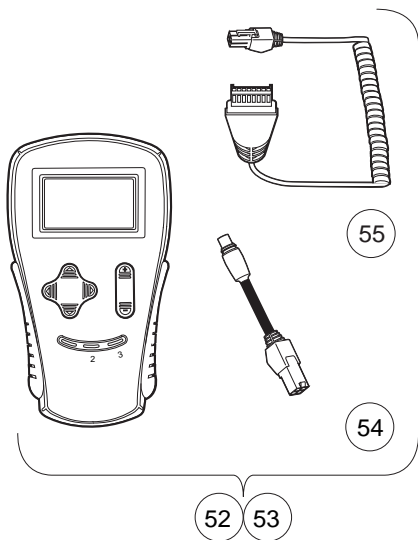
49



50



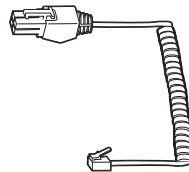
51



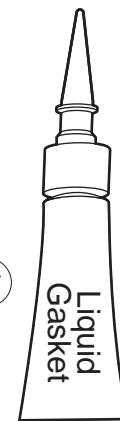
52 53

55

54



56



57



58



59 60



61

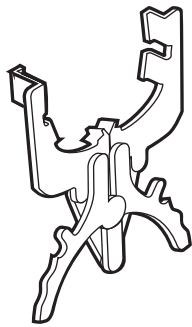
## MAINTENANCE AND SERVICE TOOLS, CONTINUED

ITEM	PART NO.	DESCRIPTION	QTY DIESEL	QTY GAS	QTY ELEC	<b>15</b>
		1 2 3 4				
44	1012151	Dry Moly Lubricant .....	1	1	1	<b>G</b>
45	1016627	Flywheel Puller Kit (for Kawasaki Engines) .....		1		<b>E</b>
46	102669901	Gauge, Carburetor Float Level (for Honda GX620 Gasoline Engines) .....		1		<b>D</b>
47	1016418	Gear Yoke .....	1	1	1	
48	101933101	Governor Shaft Installation Tool (for Kawasaki Engine Vehicles) .....		1		
49	102169401	Hydraulic Brake Adjuster (for Turf/CA 272/472, Pioneer/XRT 1200, Bobcat 2100, HUV 4213) .....			1	
50	1011478	Hydrometer .....	1	1	1	
51	1013593	Internal Retaining Ring Pliers .....	1	1	1	
52	102248803	IQ Display Module (IQDM) Kit (IQ System and IQ Plus vehicles) .....			1	
		(includes items 54 and 55)				
53	102248804	IQ Display Module (IQDM-P) Kit (IQ System and IQ Plus vehicles) .....			1	
		(includes items 54 and 55)				
54	102251501	Adaptor, Cable .....			1	
55	102241502	IQDM Series 2 Cable .....			1	
56	102241501	IQDM Series 1 Cable (replacement) .....			1	
57	101928701	Liquid Gasket (transaxle case) .....	1	1	1	
58	102243402	Moly-Teflon Lubricant (4-oz. (113-gram) tube) .....			1	
59	101997201	Paint, Touch-Up – Beige* .....		1	1	
59	101997207	Paint, Touch-Up – Black* .....		1	1	
59	101997212	Paint, Touch-Up – Burgundy* .....		1	1	
59	101997211	Paint, Touch-Up – Classic Blue (Navy)* .....		1	1	
59	101997205	Paint, Touch-Up – Dark Gray* .....	1	1	1	
59	101997209	Paint, Touch-Up – Dark Green* .....	1	1	1	
59	101997204	Paint, Touch-Up – Gray* .....	1	1	1	
59	101997203	Paint, Touch-Up – Red* .....	1	1	1	
59	101997206	Paint, Touch-Up – Royal Blue (Pacific Blue)* .....		1	1	
59	101997202	Paint, Touch-Up – White* .....	1	1	1	
60	102562301	Paint, Precedent Underbody – Gray .....		1	1	
61	102587201	Paint Pen, Touch-Up, Precedent Underbody – Black .....		1	1	
		Please refer to the maintenance and service manual for proper tool application.				
		* Item 59 is not for use on Surlyn <sup>®</sup> body material, which is used on Precedent vehicles.				

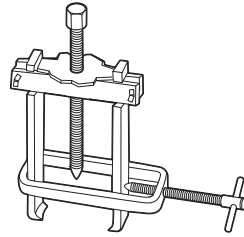
**15**  
**G**  
**E**  
**D**



62



63



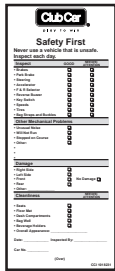
64



65



66



67



68



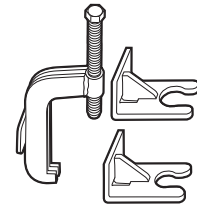
69



70



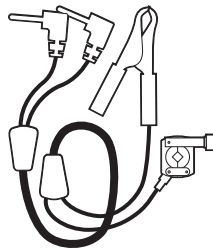
71



72



73



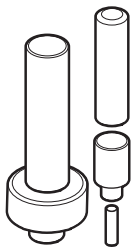
74



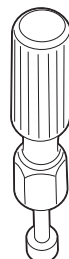
75



76



77



83



84



85



86

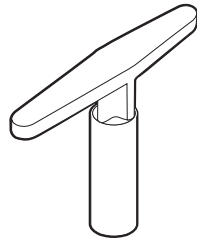
## MAINTENANCE AND SERVICE TOOLS, CONTINUED

ITEM	PART NO.	DESCRIPTION	QTY	QTY	QTY	15
			DIESEL	GAS	ELEC	
		1 2 3 4				G
62	1016414	Piston Ring Compressor Kit (FE290, FE350 and FE400 engines) .....		1		E
63	1016415	Piston Ring Pliers (for Kawasaki Engines) .....		1		D
64	102668801	Puller, Special Use (for Kubota D722 Diesel Engines) .....	1			
65	1012549	Retaining Ring Pliers, 45° External .....	1	1	1	
66	1012560	Retaining Ring Pliers, 90° Internal .....	1	1	1	
67	101823101	Safety First Card (50 per pack) .....	1	1	1	
68	1012809	Seal Puller .....	1	1	1	
69	102330901	Spanner Wrench (for coil over shock front suspension vehicles only) .....	1	1		
70	1014264	Steering Column Bearing Press Tool .....		1	1	
71	1014259	Steering Column Retaining Ring Tool .....		1	1	
72	102061201	Steering Wheel Puller Tool .....	1	1	1	
73	AM10753	Tachometer (includes gasoline engine pick up lead only) .....	1	1		
74	AM10771	Tachometer Diesel Probe (for use with item 73) .....	1			
75	1014162	Transaxle Axle Seal Tool .....		1		
76	1014161	Transaxle Pinion Seal Tool .....		1		
77	1014115	Transmission Tool Kit .....		1		
78	101611003	Tune-Up Kit, All OHV (for FE290, FE350, FE400 only) (includes air filter, spark plug, oil filter, fuel filters) (not shown) .....		1		
79	AM11804	Tune-Up Kit, Gx620 (for Honda Engines) (includes air filter, spark plug, oil filter, fuel filters) (not shown) .....		1		
80	AM11805	Tune-Up Kit, D722 (for Kubota Engines) (includes air filter, oil filter, fuel filters, water separator filter) (not shown) .....	1			
81	AM1220301	Tune-Up Kit, Precedent (for FE290/350 Engines) (includes air filter, spark plug, oil filter, fuel filters) (not shown) .....		1		
82	AM1232401	Tune-Up Kit, FH680D (for Kawasaki V-Twin Engines) (includes oil filter, fuel filter, air filter, and spark plugs) (not shown) .....		1		
83	1016413	Valve Clearance Adjuster Screw Holder (for FE290 engines only) .....		1		
84	102674601	Valve Guide Driver (for Honda GX620 Gasoline Engines) .....		1		
85	101641201	Valve Guide Reamer (FE290, FE350, and FE400 only) .....		1		
86	102674401	Valve Guide Reamer, 6.6 mm (for Honda GX620 Gasoline Engines) .....		1		

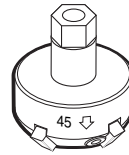
**15**  
**G**  
**E**  
**D**



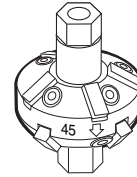
87



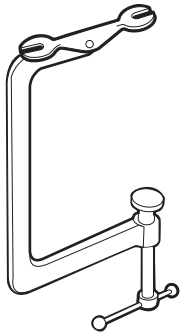
88



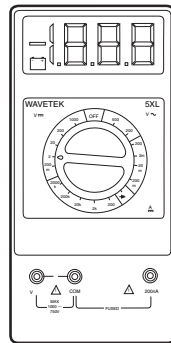
89



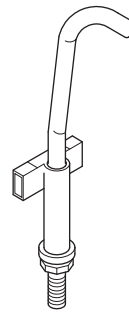
90



91



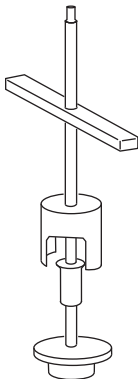
92



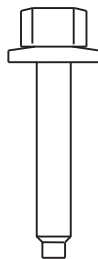
93



94



95



96

## MAINTENANCE AND SERVICE TOOLS, CONTINUED

ITEM	PART NO.	DESCRIPTION	QTY DIESEL	QTY GAS	QTY ELEC	<b>15</b>
		1 2 3 4				<b>G</b>
87	1016552	Valve Seat Cutter Guide .....		1		<b>E</b>
88	1016551	Valve Seat Cutter T-Wrench .....		1		<b>D</b>
89	1016553	Valve Seat Cutter, 45° (32 mm diameter) (for FE290 engines only) .....		1		
90	1016554	Valve Seat Cutter, 45°/30° (35 mm diameter) .....		1		
91	101641101	Valve Spring Compressor .....		1		
92	1011480	Volt Ohm Meter .....	1	1	1	
93	102570401	Tool, Tensioning, Starter Generator (For Precedent vehicles) .....		1		
94	103601401	Puller, Drive Clutch, XRT 950* .....		1		
95	103601701	Tool, Disassembly, Driven Clutch, XRT 950 .....		1		
96	103600501	Screw, Driven Clutch Disassembly, M6, XRT 950 .....		1		
<p>*Note: The XRT 950 Drive Clutch Puller requires the use of Screw, Driven Clutch Disassembly, CCI Part Number 103600501.</p>						





# INDEX

## Part Number and Page

AM10753	15-9	1011652	1-27, 1-29, 1-31, 1-33	1015246	1-45
AM10771	15-9	1011697	1-33	1015258	1-41
AM11807	5-9	1011767	15-3	1015277	1-39
AM11808	5-9	1011779	4-15	1015313	1-45
AM1210002	1-17	1011990	1-45	1015363	1-45
AM1210801	1-17	1012151	15-7	1015390	1-45
AM1211003	1-17	1012295	6-19, 6-21	1015392	1-25
AM1211401	1-17	1012303	1-41	1015399	1-41, 1-45, 1-49
AM1215701	1-17	1012549	15-9	1015400	1-41, 1-45
AM1215801	1-17	1012560	15-9	1015457	14-9
AM1232301	8-7, 8-11, 9-7	1012769	7-3, 8-3	101547601	3-5
AM1241201	5-9	1012809	15-9	1015521	6-19, 6-21
AM1241301	5-9	1012811	15-3	1015524	15-5
183	10-7, 10-11	1012812	15-3	1015583	1-41
332	1-29, 1-31, 1-45, 1-49, 6-19, 6-21	1012830	1-29, 1-31	1015597	5-15
334	1-39, 13-17, 13-29	1012871	9-7	1015741	6-19, 6-21
357	1-43	1012919	9-9	101587703	10-3, 10-5, 10-9
403	1-41	1013035	5-5	1016078	1-39
451	1-29, 1-31	1013042	5-5	101609401	3-3, 3-7
808	1-5, 1-7	1013044	5-5	101611003	15-9
1016	10-7, 10-11	1013051	5-5	1016183	5-13
1032	1-45	1013052	5-5	101641002	15-5
1035	4-17	101313402	10-9	101641101	15-11
1108	6-19, 6-21	1013317	1-45	101641201	15-9
1231	1-45	1013366	1-49	101641202	15-3
1241	6-27, 6-29	1013461	10-7, 10-11	1016413	15-9
1242	4-15	1013462	10-7, 10-11	1016414	15-9
7049	1-45	1013531	4-15	1016415	15-9
7310	2-3	1013582	15-3	1016416	15-3
7473	1-41, 1-49, 6-27, 6-29	1013593	15-7	1016417	15-3
7973	1-45	1013734	1-29, 1-31	1016418	15-7
8057	13-3	1013746	10-3, 10-5, 10-9	1016467	9-11
8058	13-3	1014115	15-9	101648203	9-11
8233	1-19, 1-45, 1-49	1014161	15-9	1016513	9-9, 10-15
8251	1-47	1014162	15-9	1016544	9-7
8639	4-11, 4-15	1014259	15-9	1016551	15-11
8717	13-3	1014264	15-9	1016552	15-11
8754	1-41, 1-43, 5-13, 13-17, 13-29	1014305	15-3	1016553	15-11
8755	1-41, 1-43	1014306	1-47, 1-49, 4-7	1016554	15-11
8797	10-7, 10-11	1014321	1-45	1016603	1-43
8990	1-43, 5-5, 10-21, 10-23, 10-25	1014375	6-27, 6-29	1016627	15-7
1010177	13-17, 13-29	1014387	1-45	1016630	6-23, 6-25
1010200	1-43	1014415	1-45, 1-49	1016851	13-3
1010434	1-45	1014471	1-41, 14-3	1016896	13-3
1010435	1-41, 1-45, 1-49	1014496	15-5	1016916	1-19
1010436	1-49	1014497	15-5	1016967	1-13, 1-33
101082903	4-7, 4-9, 4-15	1014498	15-5	1017162	1-43
1010934	1-45, 6-27, 6-29	1014507	15-5	1017167	1-43
1011084	10-21, 10-23, 10-25	1014508	15-5	1017774	1-43
1011273	15-5	1014510	15-5	101802601	6-23, 6-25
1011478	15-7	1014537	1-45, 1-49	101804301	1-19
1011480	15-11	1014727	13-3	101808401	15-3
1011553	3-3, 3-7	1014808	13-3	101809101	15-5
1011578	1-5, 1-7, 14-9	1015139	10-7, 10-11	101813202	15-3
		1015143	10-7, 10-11	101823101	15-9
		1015245	1-45	101824401	10-3, 10-5, 10-9

# INDEX

101831801	15-5	102066001	1-43	102370101	7-3
101831901	15-3	102169401	15-7	102370501	7-3, 8-3, 9-3
101833101	7-3	102171503	1-41	102370601	7-3, 8-3, 9-3
101833201	7-3	102176901	4-7, 4-9	102371401	8-15, 9-13
101835601	1-39, 1-41	102198001	6-23, 6-25	102371701	13-11
101856102	12-5	102221301	1-49	102371801	13-7
101871001	15-3	102221401	1-49	102372101	13-11
101879401	5-5	102221501	1-49	102374901	12-7
101879701	5-5	102221701	1-49	102375401	6-25
101879801	5-5	102221801	1-49	102375901	13-3
101879901	5-5	102222001	1-49	102376001	13-3
101880201	5-5	102222101	1-49	102376601	4-11
101887101	15-3	102222201	1-49	102376602	13-21
101887601	1-29, 1-31, 4-11, 11-3	102224001	3-3, 3-7	102376605	5-7
101894302	1-45	102231601	3-5, 3-9	102377401	14-7
101894304	1-49	102239901	1-49	102377501	14-9
101898001	6-27, 6-29	102241501	15-7	102377601	14-9
101928701	15-7	102241502	15-7	102377701	14-7
101933101	15-7	102243402	15-7	102377801	14-3
101953101	4-15	102248803	15-7	102377901	14-3
101958602	1-39	102249901	15-3	102378901	10-33
101963401	1-45, 1-49	102251501	15-7	102379001	10-35
101972001	15-7	102274101	5-7, 5-15	102380301	14-3
101972002	15-7	102276001	13-21	102380601	4-13
101972003	15-7	102288901	14-9	102381701	13-5
101972004	15-7	102289001	1-5, 1-7, 1-15, 1-19, 8-15, 9-13, 10-3, 10-9, 14-9	102382401	7-3, 8-3
101972005	15-7	102290120	5-3	102385601	12-9, 12-11, 12-15
101972006	15-7	102292356	1-5, 1-7	102385701	12-13
101972007	15-7	102292701	1-9, 1-11	102385801	10-19
101972009	15-7	102292801	1-9, 1-11, 4-15	102393501	5-15
101972011	15-7	102296020	1-33	102395601	10-31, 10-33, 10-35
101972012	15-7	102296140	4-11	102398901	5-15
101987901	1-5, 1-7	102296401	10-27, 10-29	102399201	4-5
101988101	1-5	102296601	9-3	102399202	4-5
101988201	1-5	102296716	4-11, 12-3, 12-5	102402801	4-7
102003201	10-3	102296920	9-3	102402901	4-7
102010102	5-5	102297230	1-5, 1-7, 1-9, 1-11, 1-19	102406701	10-11
102022601	5-5	102298130	1-29, 1-31, 5-3, 5-13	102406801	10-11
102022901	5-5, 5-7	102298401	1-13, 1-29, 1-31, 4-9, 4-15, 7-3, 8-3, 9-13, 11-9, 13-3	102407801	4-11
102023703	1-29, 1-31	102298580	1-19	102408401	5-7
102025801	1-25	102298720	1-13, 11-3, 14-9	102409301	11-9
102030101	1-45	102301401	1-39	102409501	11-3
102030201	1-45	102323101	1-39	102409601	11-7
102044702	6-23	102323501	1-13, 4-17	102410001	14-11
102044801	6-23	102330901	15-9	102410301	14-3
102045001	1-19	102331401	8-15	102410602	10-9
102047001	1-29, 1-31	102355301	6-27, 6-29	102410603	7-3, 8-3
102048401	1-19	102361901	5-7	102410604	10-3
102051401	4-7	102363802	5-3	102410801	10-9
102051601	6-23, 6-25	102365601	5-11	102411202	10-3, 10-5
102051701	6-23, 6-25	102365602	5-13	102411203	10-9
102059001	1-29, 1-31	102367101	5-3	102411204	14-5, 14-9
102059401	1-29, 1-31	102367601	4-3	102411205	14-9
102061101	1-29, 1-31	102369901	12-13	102411206	14-9
102061201	15-9			102411207	14-3, 14-9
102065901	1-41			102411208	14-3, 14-9

# INDEX

102411209	10-35	102442901	4-13, 10-27, 10-29	102475701	4-11, 10-21, 10-23, 10-25
102411210	10-31, 10-33, 12-3, 12-5	102443501	8-15	102475801	4-11
102411301	14-3	102443601	8-15, 9-13	102475901	1-29, 1-31
102414501	12-5	102445201	10-27, 10-29	102476301	10-27, 10-29
102414701	7-3	102446601	5-13	102476401	10-27, 10-29
102414801	7-3	102447601	1-35	102477001	5-15
102414901	8-3	102447602	1-35	102478501	10-11
102418101	1-39	102447901	6-19, 6-21	102479301	10-27, 10-29
102420201	6-19, 6-21	102448001	6-19, 6-21	102480501	14-9
102420401	6-19, 6-21	102448401	6-29	102481001	12-5
102420501	6-19, 6-21	102448501	6-29, 9-13	102481201	12-5
102422301	7-53, 11-9	102449101	13-21	102481301	12-5
102426301	10-3, 10-5, 10-9	102449201	13-23	102488001	4-3, 4-5
102426601	1-39, 1-43	102456001	1-29, 1-31	102489901	10-29
102426901	1-41	102457001	10-21	102490001	12-9
102427501	14-5	102457501	8-15, 9-13	102490101	7-3, 8-3
102427601	14-9	102457601	8-15	102490201	7-3, 8-3
102430001	10-9	102458901	1-29, 1-31, 3-5, 3-9	102490301	6-27, 14-3
102430101	10-9	102459001	3-9	102490401	8-15
102430201	10-9	102459101	3-5, 3-9	102490501	7-3, 8-3
102430301	10-9	102459201	3-9	102490801	5-7
102430401	10-9	102459301	3-3, 3-7	102491001	9-3, 13-5
102434601	10-9	102459401	3-3, 3-7	102491101	13-5
102434701	10-9	102459501	3-5, 3-9	102491301	1-13, 1-35
102434801	8-15, 10-9	102460201	3-7, 3-9	102491302	1-13
102435001	14-9	102462301	7-3, 8-3	102491501	1-13, 1-19, 1-35
102436701	14-3	102462401	13-5	102491601	4-3, 4-5
102437001	5-7	102462501	7-3	102491701	1-23, 1-47
102438201	13-7	102462502	8-3	102492201	6-19, 6-21
102438301	13-7	102462601	10-19	102492301	6-21
102438401	13-7	102463101	13-23	102493001	10-19
102438501	13-7	102463301	13-23	102493301	4-3, 4-5
102438601	13-7	102463401	13-23	102493801	1-39
102438701	13-7	102463501	13-21	102494401	7-3, 8-3
102438801	13-7	102463601	13-21	102494701	10-11
102438901	13-7	102463801	13-21, 13-23	102495001	5-13
102439001	13-7	102463901	13-23	102495801	10-21, 10-23, 10-25
102439101	13-7	102464001	13-23	102498201	6-29, 7-3
102439201	13-7	102464101	13-23	102498601	10-31, 10-33, 10-35
102439301	13-7	102464201	13-23	102498801	10-25
102439401	13-7	102464301	5-7, 13-23	102499001	13-3
102439501	13-7	102464401	13-23	102522001	10-7, 10-11
102439601	13-7	102464501	13-23	102537801	1-33
102439701	13-7	102464601	5-13	102538501	6-5, 6-9, 6-13
102439801	13-7	102465701	1-43	102540802	1-33
102439901	13-7	102465901	7-3	102541465	10-31, 10-33, 10-35
102440101	13-7	102466201	10-5, 10-9	102551901	4-15
102440201	13-9	102469401	10-29	102552001	4-15
102440301	13-7	102470101	5-13	102555501	15-3
102440401	13-9	102470501	5-13	102562401	15-3
102440501	13-9	102470601	5-13	102570401	15-11
102440601	13-9	102473501	1-29, 1-31	102571301	5-3
102442001	1-29, 1-31	102473601	1-29, 1-31	102600001	7-5
102442201	6-27, 6-29	102473701	1-29	102600101	7-5
102442301	6-27	102474301	4-11	102600201	7-5
102442401	6-27	102475301	8-15	102600301	7-5, 7-9, 7-53

# INDEX

102600401	7-5	102607601	7-23, 7-55	102623802	10-17
102600601	7-5	102607602	7-23	102623805	10-17
102600701	7-5	102607801	7-23	102623808	10-17
102600801	7-5, 7-9	102607901	7-23	102626201	4-13
102601001	7-5, 7-11	102608001	7-23	102628001	12-5
102601101	7-33	102608101	7-23	102628101	11-9
102601301	7-5	102608201	7-19, 7-53	102628701	14-7
102601401	7-5	102608301	7-19, 7-53	102629001	1-43
102601501	15-5	102608401	7-19	102630001	7-23
102601801	7-11, 7-53	102608501	7-19	102630003	7-23
102601901	7-11	102608601	7-19	102630101	7-23
102602001	7-11	102608701	7-19, 14-13	102630201	7-23
102602101	7-11	102608801	7-23	102630301	7-23, 7-53
102602301	7-11	102608803	7-23	102630401	7-23
102602401	7-11	102608804	7-23	102630601	7-33, 7-35
102602601	7-11	102608806	7-23	102630701	7-23
102602701	7-11	102608901	7-19	102630703	7-23
102602801	7-11	102609001	7-23	102630901	7-23, 7-55
102603201	7-21	102609003	7-23	102631001	7-23, 7-55
102603501	15-5	102609101	7-19	102631301	14-11
102603601	7-27	102609301	7-19	102631401	14-11
102603701	7-27	102609401	7-19	102631601	7-5, 7-33, 7-35, 14-11
102603801	7-27	102609601	7-19	102631701	14-15
102603901	7-27	102609801	7-23	102631801	14-15
102604001	7-27	102609803	7-23	102632001	14-15
102604101	7-27	102610001	7-23	102632101	14-15
102604201	7-21, 7-27	102614101	1-41, 1-43	102632201	14-15
102604301	7-27	102614401	1-49	102632701	7-53, 14-13
102604401	7-23, 7-27	102615701	13-3	102633001	14-11
102604501	7-27	102615801	10-21, 10-23, 10-25	102633201	14-11
102604701	7-27	102616003	12-5	102633301	7-13, 14-11
102604901	7-21	102616101	12-5	102633401	7-53, 14-11
102605001	7-21	102616301	5-7, 5-11, 5-13	102633601	7-43
102605101	7-7, 7-21	102616501	12-11	102633701	7-39
102605201	15-5	102616701	13-3	102633801	7-39
102605301	7-21	102616801	5-3	102633901	7-39
102605401	7-21	102617201	1-13, 1-35	102634001	7-39, 7-53
102605501	7-21	102617301	10-19	102634101	7-39
102605601	7-21	102617501	5-7	102634401	7-39, 7-53
102605701	7-41	102617701	5-7	102634501	7-39, 7-53
102605801	7-21	102617801	5-7	102634601	7-39
102605901	7-21	102618101	4-13, 10-27, 10-29	102634701	7-39
102606001	7-21	102618301	1-13, 1-39, 4-13, 4-15, 4-17, 10-27, 10-29, 13-3	102635101	7-43
102606101	15-5	102618401	4-7, 4-9	102635201	7-39
102606201	7-17	102618601	1-19, 1-39, 1-43, 4-7, 4-13, 4-17, 5-3, 5-13, 7-3, 8-3, 8-15, 9-13, 10-3, 10-5, 10-9, 10-27, 10-29, 14-9	102635301	7-29, 7-39, 7-41, 7-53
102606301	7-17	102619801	5-15	102635501	7-29
102606401	7-17	102620301	1-35	102635701	7-29
102606501	7-17	102620401	5-15	102635801	7-29
102606601	7-17, 7-53	102620501	5-7, 5-11, 5-13, 5-15	102635901	7-29
102606701	7-15	102620801	10-19	102636201	7-43
102606901	7-7	102621201	10-31, 10-33, 10-35, 11-3	102636301	7-43
102607001	7-7	102621301	7-3, 9-13, 11-9	102636401	7-43
102607201	7-7	102621501	7-3, 8-3, 10-31, 10-33, 10-35	102636501	7-43
102607301	7-7			102636601	7-43
102607401	7-7			102637001	7-29
102607501	15-5			102637101	7-29

# INDEX

102637701	7-37	102653401	7-9	102660101	8-13
102640401	7-37	102653501	7-9	102660201	8-13
102640501	7-37	102653601	7-47	102660301	8-13
102640601	7-31, 7-37	102653701	7-47	102660401	8-13
102640701	7-37	102653901	7-9	102660402	8-13
102640901	7-37	102654101	7-9, 7-53	102660403	8-13
102641001	7-37	102654301	7-11, 7-39, 7-49	102660404	8-13
102641101	7-37	102654401	7-21	102660501	8-13
102641201	7-37	102654601	7-7, 7-53	102660601	8-13
102641501	7-41	102654701	7-53, 14-11	102660701	8-13
102642401	7-41	102655301	8-7	102660801	8-13
102642501	7-41	102655401	10-17	102660802	8-13
102642601	7-41	102655501	10-17	102660803	8-13
102642701	7-41	102655601	10-17	102660804	8-13
102642801	7-41	102655701	10-17	102660901	8-13
102642901	7-41	102655801	10-17	102661001	8-13
102643001	7-41	102655901	10-17	102661101	8-13
102643101	7-41	102656001	10-17	102661201	8-13
102643201	7-41	102656101	10-19	102661202	8-13
102643301	7-41	102656201	10-19	102661301	8-13
102643401	7-41	102656301	10-19	102661401	8-13
102643601	7-41	102656402	10-19	102661501	8-13
102643701	7-41	102656501	10-19	102661601	8-13
102644001	7-13, 7-53	102656601	10-19	102661701	8-13
102644101	7-13	102656701	10-19	102661801	8-13
102644501	7-53	102656801	10-19	102661901	8-7, 8-13
102645501	7-45	102656901	10-19	102662101	8-11
102646001	7-49, 7-53	102657001	10-19	102662201	8-11
102646101	7-49	102657101	10-19	102662301	8-11
102646301	7-51	102657201	10-19	102662401	8-11
102646401	7-47	102657301	10-19	102662601	8-11
102646501	7-51	102657401	10-19	102662701	8-11
102646601	7-51, 7-53	102657501	8-5, 10-19	102662801	8-11
102647101	7-51	102657601	8-11, 10-19	102662802	8-11
102647201	7-51	102657701	8-11, 10-19	102662901	8-11
102647501	7-25	102657801	8-11, 10-19	102663001	8-11
102647701	7-33, 7-35, 7-45	102658001	8-9	102663101	8-11
102647801	7-25	102658101	8-9	102663201	8-11
102647901	7-25	102658201	8-9	102663301	8-11
102648001	7-25	102658301	8-9	102663401	8-11
102648401	7-45	102658401	8-9	102663501	8-11
102648501	7-45	102658501	8-9	102663801	8-11
102651301	7-47	102658601	8-9	102663901	8-11
102651501	7-47	102658701	8-9	102664001	8-11
102651601	7-47	102658801	8-9	102664101	8-11
102651701	7-47	102658901	8-9	102664301	8-11
102651801	7-47	102659001	8-9	102664401	8-11
102652001	7-47	102659101	8-9	102664601	8-7
102652601	7-47	102659201	8-9	102664701	8-7
102652701	7-47	102659301	8-9	102664801	8-7
102652801	7-9	102659401	8-9	102664901	8-7, 8-13
102652901	7-47	102659501	8-9	102665001	8-7
102653001	7-47	102659601	8-9	102665101	8-7
102653101	7-47	102659801	8-13	102665301	8-7
102653201	7-47	102659901	8-13	102665401	8-7
102653301	7-47, 7-53	102660001	8-13	102665501	8-7

# INDEX

102665601	8-7	102690401	12-11	102699401	13-13, 13-25
102665701	8-7	102690501	12-9, 12-11, 12-15	102699601	13-17, 13-19, 13-29, 13-31
102665901	8-7	102690701	12-9, 12-11, 12-15	102699701	13-13, 13-25, 13-27
102666001	8-7	102690801	12-11	102701001	7-9
102666201	8-5, 8-7	102691001	12-9, 12-15	102701201	7-33, 7-35
102666801	8-5	102691401	12-9, 12-11, 12-15	102703301	7-11
102666901	8-5	102691601	12-9, 12-11, 12-15	102710301	8-15, 10-9
102667001	8-5	102691701	12-9, 12-11, 12-15	102710501	10-19
102667101	8-5	102691801	12-9, 12-11, 12-15	102711601	13-5
102667201	8-5	102691901	12-9, 12-15	102714001	4-3, 4-5
102667301	8-5	102693301	13-13, 13-21, 13-25	102716001	4-17
102667401	8-5	102693401	13-21	102718101	1-17, 1-27, 1-29, 1-31, 1-35
102667501	8-5	102693501	13-13, 13-21, 13-25	102719301	1-17, 12-13
102667601	8-5	102693601	13-23	102721501	13-13, 13-25
102667701	8-5	102694001	13-23	102721901	8-15
102667901	8-5	102694201	13-13, 13-21, 13-25	102722001	8-15, 9-13
102668001	8-5	102694301	13-21	102722301	5-7
102668101	8-5	102694401	13-21	102722701	8-11
102668201	8-7, 8-13	102694502	13-23	102722801	8-11
102668301	8-5	102694701	13-21	102722901	8-11
102668401	8-5	102694801	13-21	102724101	10-17
102668801	15-9	102695401	12-13	102724201	10-17
102669901	15-7	102695601	12-13	102724301	8-9
102670601	1-29, 1-31	102695701	12-13	102724401	8-9
102670701	1-17, 7-3, 8-3	102695801	12-13	102724501	8-9
102670801	8-15, 10-9	102695901	12-13	102724601	8-9
102670901	10-7	102696001	13-17, 13-19, 13-29, 13-31	102724701	8-9
102671201	1-35	102696101	13-13, 13-25	102725101	8-13
102672101	13-21	102696201	13-13, 13-15, 13-25, 13-27	102725201	8-13
102672201	13-21	102696301	13-13, 13-25	102725401	10-19
102672301	13-21	102696401	13-17, 13-19, 13-29, 13-31	102725501	10-31, 10-33, 10-35
102672401	13-21	102696501	13-13, 13-15, 13-25, 13-27	102725601	10-31, 10-33, 10-35
102673201	1-49	102696601	13-17, 13-19, 13-29, 13-31	102726201	7-5
102674001	15-5	102696701	13-13, 13-25	102726301	7-5
102674101	15-5	102696801	13-13, 13-15, 13-25, 13-27	102726401	7-5
102674201	15-5	102696901	13-13, 13-15, 13-25, 13-27	102726501	7-5
102674401	15-9	102697001	13-27	102726601	7-5
102674601	15-9	102697101	13-13, 13-15, 13-25, 13-27	102726701	7-9
102675001	15-5	102697201	13-15, 13-27	102726901	7-9
102675101	15-5	102697301	13-13, 13-25	102727001	7-9
102675201	15-5	102697401	13-13, 13-25	102727101	7-9
102675301	15-5	102697501	13-15, 13-27	102727401	7-11
102675401	15-5	102697601	13-13, 13-25	102727501	7-11
102682901	5-15	102697701	13-13, 13-25	102727601	7-11
102684501	5-15, 13-3	102697801	13-13, 13-25	102727701	7-15
102684601	13-3	102697901	13-15, 13-27	102727901	7-17
102684901	14-9	102698001	13-15, 13-27	102728001	7-19
102685001	14-3	102698101	13-27	102728101	7-23, 7-55
102685601	5-15	102698301	13-13, 13-25	102728102	7-23
102686101	15-3	102698401	13-27	102728301	7-25
102687801	5-5	102698601	13-15, 13-27	102728401	7-27
102689001	4-11	102698701	13-15, 13-27	102728501	7-27
102689101	5-11, 5-13	102698901	13-13, 13-25	102728601	7-29
102689102	5-11, 5-13	102699001	13-27	102728701	7-29
102690201	12-9, 12-11, 12-15	102699201	13-13, 13-25	102728801	7-29, 7-53
102690301	12-9, 12-11, 12-15	102699301	13-15, 13-27	102728901	7-29

# INDEX

102729101	7-31	102786301	5-11, 5-13	102866715	1-11
102729301	7-11, 7-53	102788701	5-11, 5-13	102866718	1-9, 1-11
102729401	7-39	102791701	5-7	102866810	1-9, 1-11
102729501	7-39	102791702	5-7	102866814	1-9
102729601	7-41	102792001	5-7	102866815	1-11
102729701	7-41	102792002	5-7	102866818	1-9, 1-11
102730001	7-33	102798001	7-9	102866901	1-5, 1-7
102730101	7-33	102798201	7-11	102867001	1-5, 1-7
102730201	7-33, 7-35	102798401	7-13	102867101	1-19
102730301	7-33	102798501	7-13, 7-53	102867202	1-21
102730401	7-33, 7-35	102798601	7-13	102867301	1-19
102730601	7-33, 7-35	102798701	7-13	102867401	1-7
102730801	7-5	102798801	7-13	102867501	1-5
102730901	14-11	102798901	7-13	102868201	13-3
102731001	14-11	102799001	7-13	102869401	6-23, 6-25
102731101	14-11	102799101	7-13	102873901	1-33
102731201	14-13	102799201	7-13	102874301	5-7
102731301	7-33, 7-35	102799401	7-21	102874501	5-7
102731501	7-51	102799501	7-29	102878301	1-33
102731601	7-51, 11-9	102799601	7-31	102879201	1-27, 1-33
102731801	7-53	102799701	7-31	102879401	1-27, 1-33
102731901	7-53	102799801	7-31	102882301	1-15
102732001	7-55	102800101	7-37	102882401	1-5, 1-7
102732201	7-23, 7-55	102800201	7-43	102882501	1-43
102732401	1-27, 1-29, 1-31	102800301	7-43	102883401	1-19
102732501	7-33, 7-35, 7-45	102800401	7-39	102883601	3-11, 3-13
102732601	7-5, 7-53	102800501	7-39	102884301	3-5, 3-9
102736901	2-3	102800601	7-39	102884401	3-3, 3-7
102737101	5-15	102800701	7-33, 7-35	102889001	1-33
102737301	14-3	102801001	7-33, 7-35	102889101	1-33
102737401	14-3	102801101	7-47	102894401	1-7
102740401	9-3	102801201	7-47	102894501	1-7
102741501	4-17	102801301	7-49	102895101	1-5, 1-7
102741601	4-17	102801401	7-49	102895701	1-25
102751301	4-17	102801501	7-49	102896401	1-9, 1-11
102751401	4-17	102810701	10-31, 10-33, 10-35	102896501	1-9, 1-11
102751501	4-17	102812801	11-3	102912301	1-27, 1-33
102751601	10-7	102816801	5-5	102913801	1-47
102759401	8-5	102827901	8-15	102913901	1-47
102759601	1-27, 1-33	102831201	8-7	102914001	1-47
102759901	1-27, 1-33	102831501	13-21	102914101	1-47
102762601	13-23	102834901	11-7	102914102	1-47
102763301	4-15	102839401	12-9, 12-11, 12-15	102927101	5-7
102763401	4-15	102849401	8-15	102927102	5-7
102763701	1-29, 1-31	102855501	14-3	102930901	11-3
102764201	13-13, 13-25	102865101	10-3	102934601	7-3
102764901	13-15, 13-27	102866510	1-9, 1-11	102934701	7-35
102765001	13-17, 13-29	102866514	1-9	102934801	7-35
102765101	13-15, 13-27	102866515	1-11	102934901	7-35
102765201	13-13, 13-25	102866518	1-9, 1-11	102935501	1-13
102765301	13-23	102866610	1-9, 1-11	102943101	2-3
102765401	13-23	102866614	1-9	102943201	13-25
102765501	13-23	102866615	1-11	102943807	2-3
102765701	13-23	102866618	1-9, 1-11	102945701	2-3
102765801	13-23	102866710	1-9, 1-11	102946701	14-9
102786201	11-3	102866714	1-9	102949301	11-5

# INDEX

102951901	9-3	102993301	9-19	103000801	9-7
102952101	10-11	102993401	9-19	103000901	9-7
102952102	10-7	102993501	9-19	103001301	9-7
102952801	10-23	102993601	9-19	103001501	9-7
102958301	9-13	102993701	9-19	103002001	9-9
102958401	9-13	102993901	9-19	103002101	9-9
102958501	9-13	102994101	9-19	103002301	9-9
102958601	9-13	102994301	9-7	103002401	9-9
102960201	9-3	102994401	9-19	103002501	9-9
102961201	3-3, 3-7	102994601	9-17	103002801	9-9, 10-15
102961301	13-23	102994701	9-17	103002901	9-9
102961401	13-23	102994801	9-17	103003801	10-15
102961501	13-23	102994901	9-17	103003901	10-15
102961601	13-23	102995001	9-17	103004201	10-15
102967901	1-9, 1-11, 1-29, 1-31	102995101	9-17	103005001	10-15
102973201	14-5	102995201	9-17	103005601	10-15
102977101	5-3	102995301	9-17	103009901	10-3
102977201	1-13	102995401	9-17	103010101	10-3
102979301	1-7	102995501	9-17	103148501	5-7
102979401	1-5	102995601	9-17	103174301	4-11
102983201	1-13	102995701	9-17	103178401	13-13
102983601	1-13	102995801	9-17	103179901	1-19
102985001	6-9	102995901	9-17	103180001	1-19
102985101	6-9	102996001	9-17	103180101	6-23, 6-25
102986001	6-17	102996101	9-17	103181001	1-27
102986101	6-17	102996201	9-17	103181101	1-27
102988701	1-37	102996301	9-17	103182701	1-21
102989801	5-3	102996401	9-17	103182702	1-21
102990101	9-15	102996501	9-17	103182801	1-21
102990201	9-15	102996601	9-17	103183101	1-33
102990301	9-15	102996701	9-17	103183201	1-33
102990401	9-15	102996901	9-11	103185401	12-9, 12-15
102990501	9-15	102997001	9-11	103185501	12-11
102990601	9-15	102997101	9-11	103185801	12-9, 12-11, 12-15
102990701	9-15	102997201	9-11	103185901	12-9, 12-11, 12-15
102990801	9-15	102997401	9-11	103187501	13-3
102990901	9-15	102997601	9-11	103191201	1-45
102991101	9-15	102997701	9-11	103191301	1-45
102991201	9-15	102997801	9-11	103191401	1-45
102991301	9-15	102997901	9-11	103191501	1-45
102991401	9-15	102998001	9-11	103192101	1-37
102991501	9-15	102998101	9-11	103197201	9-13
102991601	9-15	102998201	9-11	103200501	1-47
102991801	9-15	102998301	9-11	103201501	12-15
102991901	9-15	102998401	9-11	103201601	10-17
102992001	9-15	102998601	9-5	103202601	3-3, 3-7
102992101	9-15	102998701	9-5	103204001	10-23
102992201	9-15	102999101	9-5	103208801	6-25
102992301	9-15	102999201	9-5	103210401	3-3, 3-7
102992401	9-5, 9-9, 9-11, 9-15	102999301	9-5	103213301	1-5, 1-7
102992501	9-5, 10-3	102999501	9-5	103215401	1-3
102992601	9-15	102999601	9-5	103215901	1-37
102992701	9-15	103000001	9-5	103216401	1-27, 1-29, 1-31, 1-37
102992801	9-15	103000401	9-7	103218104	1-7
102992901	9-15	103000501	9-7	103218107	1-5, 1-7
102993201	9-19	103000601	9-7	103218113	1-7



# INDEX

103218213	4-7	103289102	1-47	103341301	10-13
103218901	1-31	103289103	1-47	103341401	10-13
103225801	1-37	103289104	1-47	103341501	10-13
103227001	1-43	103293201	4-7	103341601	10-13
103231701	1-3	103294301	13-17, 13-29	103341701	10-13
103231801	1-3	103296001	1-13	103341801	10-13
103233001	1-19	103297101	10-15	103341901	10-13
103233410	3-13	103297201	10-15	103342001	10-13
103233415	3-13	103297301	10-15	103342101	10-13
103233417	3-13	103297401	9-9	103342201	10-13
103233510	3-13	103297501	9-9	103342301	10-13
103233515	3-13	103297601	9-9	103342501	10-13
103233517	3-13	103297701	9-9	103342601	10-13
103233614	3-11	103297801	9-9	103342701	10-13
103233617	3-11	103298001	9-9	103343301	10-13
103233714	3-11	103298101	9-9	103343401	10-13
103233717	3-11	103298201	9-9	103343501	10-13
103234201	3-11, 3-13	103298301	9-9	103343601	10-13
103234401	6-25	103298501	9-7, 9-9, 10-3, 10-15	103343701	10-13
103234503	2-3	103298601	9-9, 9-15	103343801	10-13
103236001	1-3	103298901	9-15	103343901	10-13
103239501	13-19, 13-31	103299301	9-5	103345501	9-7
103239801	13-19, 13-31	103299401	9-5	103345801	5-7
103239901	7-35	103299501	9-7	103348101	6-23, 6-25
103240601	9-13	103299601	9-7	103348201	6-23, 6-25
103244701	13-5	103299701	9-7	103348501	6-23, 6-25
103245101	1-35	103299801	9-7	103361701	1-35
103246901	9-13	103299901	9-7	103376101	4-9
103250301	13-13, 13-25	103300101	9-7	103379401	1-45
103250401	13-13, 13-25	103300301	9-5, 9-11	103380701	4-9
103252201	8-3	103305001	4-17	103387501	10-3
103253801	1-19	103305101	4-17	103418701	4-5
103256401	5-7	103305701	6-5	103418801	4-3, 4-5
103256701	5-7	103306801	10-13	103423701	14-9
103259301	6-9, 6-17	103306901	10-13	103438201	10-31
103262201	1-27, 1-33	103307001	10-13	103441401	10-31, 10-35
103262601	1-27, 1-33	103307201	10-13	103485501	1-23
103262901	9-3	103307301	10-13	103487501	1-23
103267001	1-29	103307401	10-13	103500901	4-15
103267002	1-31	103307901	10-5	103505301	4-15
103268001	1-19	103320201	10-15	103505401	4-15, 4-17
103268101	11-5	103320301	10-15	103535001	4-15
103273101	4-13, 10-27, 10-29	103320401	10-15	103538701	1-41
103276201	9-13	103320601	12-3, 12-5	103538901	1-41
103277001	5-7	103326401	9-13	103721801	13-27
103277002	5-7	103327201	6-5, 6-13	103762201	5-7
103277301	10-21	103331201	1-47	95293643	13-11
103277401	10-21	103332201	9-3	96701412	7-3, 8-3, 9-3
103277501	6-13	103340501	10-13	96704176	14-9
103278101	10-27	103340601	10-13	96704416	11-5, 11-7, 14-9
103279201	9-3	103340701	10-13	96704622	7-3, 8-3
103282301	5-15	103340801	10-13	96704721	7-3, 8-3, 9-3
103283201	10-27	103340901	10-13	96704960	8-3, 9-3
103289001	1-47	103341001	10-13	96705199	14-3
103289002	1-47	103341101	10-13	96705587	8-15, 9-13, 10-9
103289101	1-47	103341201	10-13	96706825	10-27, 10-29

# INDEX

96715552 1-13  
96718978 7-3, 8-3  
96741038 7-3, 8-3  
96741046 7-3, 8-3, 9-3  
96742515 1-29, 1-31  
96950126 10-21

## A

A-arm 5-7  
accelerator cable 10-21, 10-23, 10-25  
accelerator pedal 10-27, 10-29  
accelerator pedal adjustment tool 15-3  
accessory receptacle 6-23, 6-25  
actuator 1-43  
adapter  
    actuator 1-43  
    cable (IQDM) 15-7  
    hose 8-15, 9-13  
    intake, engine 10-19  
    tube 8-15, 9-13, 10-9  
adapter, oil filter 8-15, 9-13  
adhesive, guide ring 15-3  
adjuster  
    hydraulic brake 15-7  
adjuster, forward/aft 1-29, 1-31  
adjuster, slide 5-7  
adjuster, slider 1-29, 1-31  
air clean support 10-31, 10-33, 10-35  
air filter 10-31, 10-33, 10-35  
air filter canister 10-31, 10-33, 10-35  
air filter evacuator 10-31, 10-33, 10-35  
air filter gasket 10-15  
alternator 7-33, 7-35  
alternator belt 7-35  
arbor 15-3  
arm  
    A- 5-7  
    governor shaft 9-9  
    rocker 7-47, 9-17  
    valve rocker 8-11  
arm, governor lock 9-9  
arm, swing 5-15  
assembly  
    accelerator pedal 10-29  
    adjusting bolt 7-29  
    alternator 7-33  
    bearing case cover 7-19  
    brake line 4-11  
    brake pedal 4-13  
    brake rotor 4-11, 13-21  
    bucket seat 1-29  
    camshaft 7-21, 8-13  
    case, main bearing 7-19  
    connecting rod 7-23, 8-13  
    crankcase cover 8-9  
    cylinder head cover 7-13

drain cock 7-5  
filler cap 4-7  
forward/reverse 13-3  
fuel camshaft 7-27  
fuel cap 10-11  
fuel filter 10-9  
fuel injection pump 7-37  
fuel pump 10-9, 10-19  
fuel tank vent 10-7, 10-11  
gear case 13-13, 13-23, 13-25  
governor 8-9  
governor fork 7-43  
governor fork lever 7-43  
headlight 1-7  
headlight harness 1-5, 1-7  
idle apparatus 7-29  
inner ball joint 5-5  
intake manifold 7-49  
latch, tilt bed 1-41  
muffler 13-5  
nozzle holder 7-41  
oil pump 7-17  
oil pump cover 8-9  
overflow pipe 7-41  
pinion 13-23  
piston ring 7-23, 7-55  
reservoir, remote 4-7  
rocker arm 7-47  
speed plate 7-39  
tailgate 1-49  
tether 1-49  
thermostat 14-11  
tilt bed 1-41  
tire 2-3  
valve, lifter 8-13  
valve, solenoid 10-17  
water pump 14-13  
wire 6-27, 6-29, 9-13, 10-7, 10-11  
assembly, sub-  
    gear case 13-13, 13-25  
    moveable drive clutch 12-9, 12-11, 12-15  
    spider 12-9, 12-11, 12-15  
    stationary 12-9, 12-11, 12-15  
    swingarm 5-15  
    weight clutch 12-9, 12-11, 12-15  
axle 13-21  
axle tube 13-23  
axle, rear, guard mounts 13-21

## B

ball  
    check 7-21  
    crankshaft 7-23  
    governor 7-27  
    injection pump 7-27  
    steel 8-9  
    valve 7-11  
ball joint 5-7, 10-21, 10-23, 10-25  
ball stud 13-3  
band, pipe 14-11, 14-15  
banjo bolt 4-3, 4-5  
bar clamp 14-9  
bar, sway 5-13  
barb, vent 10-3, 10-5, 10-9  
barrel, plastic 1-45  
base, seat holder 1-29, 1-31  
battery 6-27, 6-29  
battery clamp 6-27, 6-29  
battery discharge machine 15-3  
battery terminal protector spray 15-3  
battery thermometer 15-3  
bearing 5-7, 13-23  
    ball (steering pinion) 5-5  
    lower pinion 5-5  
    needle 8-13, 13-7, 13-13, 13-15, 13-23,  
        13-25, 13-27  
    radial ball 8-13  
bearing and oil seal remover 15-3  
bearing case cover 7-19  
bearing case, main 7-19  
bearing driver set 15-3  
bearing puller 15-3  
bearing puller wedge 15-3  
bed floor plate 1-41  
bed latch 1-45  
bed latch spring 1-45  
bed, tilt 1-41  
bellcrank 4-17, 13-17, 13-19, 13-29, 13-31  
bellows 5-5, 13-21  
belt guard 7-35  
belt, alternator 7-35  
belt, drive 12-7  
belt, V- 7-33  
bench seat back 1-27, 1-33  
bench seat bottom 1-27, 1-33  
bench seat kit 1-33  
bezel, fuel fill 10-5, 10-9  
block, differential spacer 13-5  
block, engine 7-5  
block, fuse 6-19, 6-21  
bobbin, coil with press fit 13-7  
bolt  
    adjusting 7-29  
    banjo 4-3, 4-5  
    drain plug 8-9  
boot kit, boxed 5-9  
boot replacement kit 5-9  
boot, half shaft 5-9  
bottle, coolant 14-5  
box  
    cargo 1-49  
bracket

# INDEX

actuator 1-43  
anti-sway bar 5-13  
bed latch 1-39  
brake line 4-11  
brake pedal 4-13  
choke cable 10-19  
cover inlet 12-5  
draw latch 1-5, 1-7  
hood support 1-19  
hydraulic line 4-11, 5-11, 5-13  
muffler 11-3  
oil filter mount 8-15, 9-13  
park brake 4-17  
radiator support 14-9  
rocker arm 7-47  
seat back 1-27, 1-33  
seat belt 1-27, 1-33  
seatbelt 1-29, 1-31  
steering column 1-13  
transmission cable 7-3, 8-3  
transmission mounting 7-3, 8-3  
bracket, oil filter 9-13  
brake adjustment tool 15-3  
brake cable 4-15  
brake cable release tool 15-3  
brake caliper 4-3, 4-5  
brake caliper return spring 4-5  
brake fluid reservoir 4-7  
brake line 4-11  
brake line, front 4-11  
brake pad service kit 4-3, 4-5  
brake pedal 4-13  
brake pedal adjustment tool 15-3  
brake pedal tension tool 15-3  
brake return spring 4-15  
brake rotor 4-11, 13-21  
breather cover 7-13  
breather gasket 9-15  
breather shield 7-13  
breather tube 7-13, 10-19  
breather valve 7-13, 8-13  
brush, FNR 1-19  
bucket seat 1-29, 1-31  
buckle, seatbelt 1-35  
bulb, headlight 1-5  
bullet, detent 13-15, 13-27  
bumper 14-9  
    bed 1-39, 1-43  
    rubber 1-49  
bumper, front 1-3  
bushing 1-43  
    A-arm 5-7  
    anti-sway bar 5-13  
    flanged bronze 7-21  
    forward/reverse 13-3  
    greaseless 4-13, 10-27, 10-29

link 5-13  
nylon 1-45  
Permiglide 13-7  
piston pin 7-23, 7-55  
pivot, urethane 5-15  
plain 13-9  
return line 10-11  
self-lubricating 13-7  
snap-in 1-45  
steel 1-41  
teflon 5-15  
urethane 1-41  
button, thrust 13-7  
buzzer, reverse 13-3  
**C**  
cable  
    accelerator 10-21, 10-23, 10-25  
    bell crank 4-17  
    brake 4-15  
    choke 10-21, 10-23  
    IQDM 15-7  
    transmission 10-21, 10-23, 10-25  
cage, roll 13-7  
calibration test module 15-3  
caliper, brake 4-3, 4-5  
cam installation tool 15-3  
camshaft 7-21, 8-13, 9-17  
camshaft guide 9-17  
camshaft kit 9-17  
camshaft plate 9-17  
camshaft spring 9-17  
camshaft, fuel 7-27  
canister, air filter 10-31, 10-33, 10-35  
cap  
    air filter 10-31, 10-33, 10-35  
    bolt assembly 7-29  
    connecting rod 8-13  
    corner 1-45  
    filler 4-7  
    fuel 10-11  
    fuel tank 10-7  
    inlet 12-5  
    noise suppressor 8-5, 8-7  
    oil fill 9-11  
    oil filler 8-9  
    pressure 14-5  
    radiator 14-3  
    rubber 5-7, 5-15  
    sealing 7-5, 7-9  
    spark plug 8-5, 8-7  
    speed control plate 7-39  
    steering wheel 5-3  
    valve 7-47  
cap, filler 4-9  
cap, front corner 1-49

carburetor 10-13  
carburetor air vent tube 10-3, 10-5, 10-9  
carburetor float level tool 15-7  
carburetor gasket 10-13, 10-15  
carburetor heater 10-13  
carburetor jet 10-13  
carburetor seal 10-13  
carburetor shaft 10-13  
carburetor solenoid 10-13  
carburetor spring 10-13  
carburetor throttle shaft 10-13  
carburetor valve 10-13  
carburetor, Honda 10-17  
card, safety first 15-9  
cargo box 1-49  
case  
    gear 7-11, 13-13, 13-21, 13-23, 13-25  
    governor ball 7-27  
    main bearing 7-19  
case cover, bearing 7-19  
center console cover 1-29, 1-31  
chain, transmission 13-13, 13-25  
charge coil 8-7, 9-7  
charger bezel tool 15-3  
choke cable 10-21, 10-23  
clamp  
    bar 14-9  
    battery 6-27, 6-29  
    breather tube 7-13  
    hose 10-3, 10-5, 10-9  
    p- (fuel filter) 7-3, 8-3, 10-3, 10-9  
    pipe 7-41  
    wire 8-7, 8-13  
clevis pin 4-7, 4-9, 4-15  
clip  
    hair pin 1-49  
clip, body trim 1-9, 1-11  
clip, brake line 4-11, 10-21, 10-23, 10-25  
clip, breather tube 10-19  
clip, governor 8-9  
clip, meter 6-23, 6-25  
clip, piston pin 8-13  
clip, return pipe 7-41  
clip, tube 10-19  
clip, wire harness 10-19  
closeout 1-47  
clutch 12-13  
clutch alignment tool 15-5  
clutch cover 12-9, 12-11, 12-15  
clutch housing 13-7  
clutch removal tool 15-3  
clutch tool kit 15-5  
clutch, diesel 12-11  
clutch, gas 12-9, 12-15  
coil  
    charge 8-7, 9-7

# INDEX

ignition 8-7, 9-7  
pocket insert 13-7  
coil over shock 5-11, 5-13  
coil with press-fit bobbin 13-7  
collar, alternator assembly 7-33, 7-35  
collar, crankshaft 7-23  
collar, idle gear 7-21  
collar, lever 7-39  
collet 7-47  
column, steering 5-3  
communication display module 15-5  
compression gauge 15-5  
compressor, piston ring 15-9  
compressor, valve spring 15-11  
connecting rod 7-23, 8-13  
connecting rod kit 9-19  
connector, relay 6-19, 6-21  
continuity tester 15-5  
control panel 9-9  
coolant bottle 14-5  
coolant exchanger 14-3  
coolant fill tee 14-3  
coolant lamp sensor 14-11  
coolant pipe 14-7  
coolant pipe mounting tab 14-7  
coolant temperature indicator light 6-25  
cooling fan 8-5, 9-5, 14-3  
cord, glow plug 7-41  
corner cap 1-49  
cotter, rue ring 5-15  
cover 8-9  
alternator assembly 7-33  
bearing case 7-19  
breather 7-13, 8-13  
CCI dash storage 1-21  
clutch 12-9, 12-11, 12-15  
crankcase 8-9  
CVT 7-3, 8-3, 9-3, 12-3, 12-5, 12-9, 12-11, 12-15  
cylinder head 7-13  
electrical 6-19, 6-21  
engine 9-3  
fan 8-5  
fuel camshaft 7-5  
head 8-11  
head filler 8-11  
heat proof 7-51  
input 13-9  
oil filter 8-9  
oil pump 8-9  
rocker 9-15  
rocker switch hole 6-23, 6-25  
thermostat 14-11  
cover gasket 10-13  
cover plate, output 13-7  
cover, crankcase 9-15

cover, steering column 5-3  
cowl panel 1-9, 1-11  
cowl panel, driver-side 1-9, 1-11  
cowl panel, passenger-side 1-9, 1-11  
crank 7-23  
crank oil seal 9-15  
crankcase 8-9, 9-15  
crankcase cover 8-9, 9-15  
crankcase cover gasket 9-15  
crankcase vent tube 10-15  
crankshaft 7-23, 8-13, 9-19  
C-type stop ring 5-5  
cup holder 1-19  
cup holder, seat 1-29, 1-31  
cutter, valve seat 15-5, 15-11  
CVT 12-13  
CVT cover 12-3  
CVT cover kit, sealed 12-5  
CVT cover kit, unsealed 12-5  
cylinder head 7-9, 8-11, 9-15  
cylinder head cover 7-13  
cylinder, master 4-7, 4-9

## D

dash 1-19  
decal  
4x4 3-11, 3-13  
bed 3-13  
CA 295 3-11  
Club Car tailgate 1-49  
crush area warning 3-3, 3-7  
driver/passenger 3-5, 3-9  
ground warning 3-5, 3-9  
hot manifold warning 3-9  
hot surface warning 1-29, 1-31, 3-5, 3-9  
instrument panel warning 1-33  
nameplate 3-11, 3-13  
operating instructions 1-33, 3-5, 3-9  
operator warning 3-3, 3-7  
ROPS warning 3-3, 3-7  
rotating parts 3-3, 3-7  
rotating parts and hot manifold 3-5, 3-9  
rotating parts warning 3-7, 3-9  
tailgate 1-45  
trailer hitch 3-3, 3-7  
under 16 warning 3-3, 3-7  
vehicle loading 3-3, 3-7  
winch cable warning 3-5, 3-9  
deflector oil 13-13, 13-25  
diaphragm tube 10-19  
diesel tachometer probe 15-9  
differential housing 13-23  
differential, front 13-7  
diode 6-5, 6-9, 6-13  
diode, engine stop 8-7  
dipstick, oil 8-9

dowel pin 13-7  
drag link 5-5  
drain cock 7-5  
drive belt 12-7  
drive clutch fixed sheave tool 15-5  
drive clutch holder tool 15-5  
drive clutch hub puller 15-5  
drive clutch puller 15-5  
drive clutch spider removal tool 15-5  
drive clutch, moveable 12-9, 12-11, 12-15  
drive shaft 13-11  
driven clutch base sheave 12-13  
driven clutch cam puller 15-5  
driven clutch puller plug 15-5  
driven clutch spring compression base tool 15-5  
driven clutch spring compression collar tool 15-5  
driven clutch spring compression nut tool 15-5  
dry moly lubricant 15-7

## E

E-clip 4-15  
elbow 10-11  
end, tie rod 5-5  
engine block 7-5  
engine cover 9-3  
engine shroud 9-5  
engine starter motor 9-7  
engine, diesel, Kubota D722 with closed breather 7-3  
engine, Honda 8-3  
engine, Kawasaki FH680D 9-3  
equalizer rod 4-15  
exchanger, engine coolant 14-3  
exhaust header 11-5, 11-7  
exhaust header gasket 11-5  
exhaust installation 11-3  
exhaust pipe 11-3  
exhaust valve 7-47, 8-11, 9-17  
extension, spring latch 1-41

## F

fan housing plate 9-5  
fan shroud 14-3  
fan, cooling 8-5, 9-5, 14-3  
fascia 1-5, 1-7  
fastener, push-in 6-19, 6-21  
fender, front 1-5, 1-7  
fender, left rear 1-47  
fender, rear 1-47  
filler cap 4-7, 4-9  
filter  
air 10-31, 10-33, 10-35  
fuel 10-3, 10-9, 10-19

# INDEX

inlet cover 12-5  
oil 7-7, 7-11, 8-15, 9-11  
filter, air, canister 10-31, 10-33, 10-35  
fitting, thread-forming grease 5-15  
flange, water 14-11  
float set 10-17  
float valve 10-13  
floor mat 1-25  
floor plate, bed 1-41  
flywheel 7-25, 8-7, 9-7  
flywheel puller 15-7  
FNR brush 1-19  
FNR brush strip 1-19  
FNR shifter bracket 7-3, 8-3  
fork, transmission 13-13, 13-25  
forward/reverse assembly 13-3  
Forward/Reverse shifter 13-3  
frame, tilt bed 1-41  
front brake line 4-11  
front bumper 1-3  
front differential 13-7  
front gear case 13-13, 13-25  
front panel 1-45, 1-47  
fuel camshaft 7-27  
fuel cap 10-11  
fuel filter 10-3, 10-9, 10-19  
fuel gauge sending unit 10-7, 10-11  
fuel injection pump 7-37  
fuel line 10-3  
fuel pickup tube 10-11  
fuel pump 10-9, 10-19  
fuel system 10-9  
fuel tank (diesel) 10-11  
fuel tank (gasoline) 10-7  
fuel tank cap 10-7  
fuel tank strap 10-3, 10-5, 10-9  
fuel tank vent 10-7, 10-11  
fuel tank, diesel 10-11  
fuel tank, gas 10-7  
fuel tube 10-19  
fuel-hour gauge 6-23, 6-25  
fuse  
10-amp 6-19, 6-21  
25-amp 6-19, 6-21  
30-amp 6-21  
fuse block 6-19, 6-21

## G

gasket 10-13  
air filter 10-15  
bearing case 7-19, 7-53  
breather 9-15  
breather cover 8-13  
carburetor 10-13, 10-15, 10-19  
carburetor adapter 10-19  
carburetor bowl 10-17

case cover 8-9  
clutch cover 12-9, 12-11, 12-15  
control plate 7-39, 7-53  
cover 7-19, 7-53, 10-13, 12-5  
crankcase cover 9-15  
cylinder head 7-9, 7-53, 8-11  
cylinder head cover 7-13, 7-53, 8-11  
drain plug 7-7  
exhaust 7-53, 11-7, 11-9  
exhaust header 11-5  
ex-manifold 7-51, 7-53  
fuel pump 7-5, 7-53  
gearcase 7-11, 7-53  
head 9-15  
head cover 7-53  
head cover nut 7-29, 7-39, 7-41, 7-53  
idle apparatus 7-29, 7-53  
intake manifold 7-49, 7-53, 8-11, 10-19  
liquid 15-7  
manifold 10-15  
nozzle 7-41  
oil pump 7-17, 7-53  
rocker cover 9-15  
sending unit 10-7, 10-11  
thermostat 7-53, 14-11  
water flange 7-53, 14-11  
water pump 7-53, 14-13  
gasket, carburetor 10-13  
gauge, compression 15-5  
gauge, fuel-hour 6-23, 6-25  
gauge, oil 7-15, 9-11  
gear  
cam 7-21  
case 7-11, 13-13, 13-21, 13-23, 13-25  
crank 7-23  
helical 13-15, 13-27  
idle 7-21  
injection pump 7-27  
oil pump drive 7-17  
ring 7-25, 13-7, 13-23  
gear case, front 13-13, 13-25  
gear ring engagement 13-15, 13-27  
gear yoke 15-7  
gear, oil pump 9-11  
glow plug 7-41  
glow plug cord 7-41  
governor 8-9  
governor control lever 9-9  
governor fork lever 7-43  
governor lever 7-39  
governor lock arm 9-9  
governor oil seal 9-15  
governor plate 9-9  
governor return spring 9-9  
governor shaft 9-9  
governor shaft arm 9-9

governor shaft installation tool 15-7  
governor shield 11-3  
governor spring 9-9  
grid, screen 8-5  
grill 1-5, 1-7  
grip tape, accelerator pad 10-27, 10-29  
grip, tilt latch hand 1-41, 1-45  
grommet 10-7, 10-11, 10-19, 13-7  
grommet tool 8-7  
guard, belt 7-35  
guard, oil filet 9-13  
guard, splash 1-13  
guide  
accelerator cable 10-27, 10-29  
detent bullet 13-15, 13-27  
exhaust valve 7-9  
inlet valve 7-9  
oil gauge 7-15  
valve seat cutter 15-11  
guide ring adhesive 15-3  
guide, camshaft 9-17  
guide, rocker arm 9-17

## H

hair pin clip 1-49  
half shaft boot 5-9  
handle, tilt steering 5-3  
hanger, engine 8-5  
harness 1-43, 6-5, 6-13, 6-17, 9-7  
harness, wire 1-5, 1-7, 6-9, 6-17  
head gasket 9-15  
head, cylinder 7-9, 8-11, 9-15  
header, exhaust 11-5, 11-7  
headlight assembly 1-7  
headlight bulb 1-5  
headlight harness 1-5, 1-7  
heat seal 7-41  
heater, carburetor 10-13  
helical gear 13-15, 13-27  
hinge plate 1-27, 1-29, 1-31, 1-33  
hinge, hood 1-9, 1-11  
holder  
FNR strip brush 1-19  
fork lever 7-43  
screen grid 8-5  
holder, cup 1-19  
Honda engine 8-3  
hood 1-9, 1-11  
hood hinge 1-9, 1-11  
hood latch 1-5, 1-7  
hood prop 1-9, 1-11  
hook, engine 7-9  
hose 14-5  
coolant 14-3, 14-5, 14-9  
fuel filter 10-9  
fuel pump 10-9

# INDEX

fuel return 10-9  
inlet cover 12-5  
intake 10-31, 10-33, 10-35  
oil, remote 8-15  
overflow 7-41  
vent 7-3, 8-3, 13-5, 14-9  
hose, fuel 10-3  
hose, outlet 12-3, 12-5  
housing  
clutch 13-7  
differential 13-23  
Mate-N-Lock 13-7  
steering gear 5-5  
hub, race/output 13-7  
hydraulic brake adjuster 15-7  
hydrometer 15-7

**I**  
idle apparatus 7-29  
idle gear 7-21  
ignition coil 8-7, 9-7  
injection pump gear 7-27  
inlet valve 7-47, 8-11  
insert, carburetor adapter 10-19  
instructions, bench seat 1-33  
instructions, brush guard/bumper 1-3  
instructions, front skidplate 1-17  
insulator, carburetor 10-19  
insulator, manifold 10-15  
intake adapter pipe 10-15  
intake adapter, engine 10-19  
intake manifold 7-49, 10-15  
intake valve 9-17  
internal retaining ring pliers 15-7  
IQ display module (IQDM) 15-7  
isolator ring and bushing 7-3, 8-3, 9-3  
isolator, twin stud 14-3

**J**  
jet kit  
0-3300 ft 10-13  
3300-6600 ft 10-13  
6600+ ft 10-13  
jet needle 10-13  
jet, carburetor 10-13  
jet, main 10-17  
joint  
ball 5-7, 10-21, 10-23, 10-25  
eye 7-37  
pipe 7-11

**K**  
keeper, push-close latch 1-21  
key 9-7  
feather 7-17, 7-21, 7-23, 7-27

woodruff 8-7, 8-13  
key (pair) 6-23, 6-25  
key switch 6-23, 6-25  
key switch spacer 6-23, 6-25  
keyswitch nut 6-23, 6-25  
kick panel 1-47  
kit  
bench seat 1-33  
bolt 13-7  
brake pad service 4-3, 4-5  
brake pedal adjustment tool 15-3  
clutch 13-7  
complete bench seat 1-33  
cover plate, input 13-9  
cover plate, output 13-7  
drain plug 13-7  
forward gear repair 13-15, 13-27  
front skidplate hardware 1-17  
front steel skidplate 1-17  
gasket 7-53  
H-clip spring 13-7  
IQ display module (IQDM) 15-7  
neutral switch repair 13-15, 13-27  
nozzle holder 7-41  
piston rebuild 7-55  
race output hub 13-7  
rear axle gear repair 13-23  
repair, minor 13-7  
reverse gear repair 13-13, 13-25  
roll cage 13-7  
roller 13-7  
ROPS 1-37  
transmission shift shaft repair 13-17, 13-29  
tube bumper 1-3  
tune-up 15-9  
kit, boot replacement 5-9  
knob, forward/reverse 13-3

**L**  
latch 1-21  
latch bracket 1-5, 1-7  
latch keeper 1-21  
latch plate, tilt bed 1-39  
latch, bed 1-45  
latch, hood draw 1-5, 1-7  
latch, slam 1-49  
latch, spring 1-49  
latch, tilt bed 1-41  
lens, headlight 1-5  
lever  
engine stop 7-39  
fork 7-43  
governor 7-39  
lost motion 10-29  
speed control 7-39  
lever, governor control 9-9

light  
oil 6-23, 6-25  
light, coolant temperature indicator 6-25  
light, turn signal 1-7  
limit switch 13-3  
line, brake reservoir 4-7  
line, fuel 10-3  
link, drag 5-5  
liquid gasket 15-7  
low oil warning light 6-23, 6-25  
lubricant, dry moly 15-7  
lubricant, moly-teflon 15-7

**M**  
main jet 10-17  
manifold  
exhaust 7-51  
inlet 8-11, 10-19  
intake 7-49  
manifold gasket 10-15  
manifold insulator 10-15  
manifold, intake 10-15  
master cylinder 4-9  
mat, floor 1-25  
Mate-N-Lock housing 13-7  
Mate-N-Lock pin 13-7  
meter clip 6-23, 6-25  
meter, volt ohm 15-11  
module  
calibration test 15-3  
communication display 15-5  
moly-teflon lubricant 15-7  
motor  
starter 7-45, 8-7  
moveable drive clutch 12-9, 12-11, 12-15  
muffler 11-3, 13-5

**N**  
nameplate decal 3-11, 3-13  
needle, jet 10-13  
nipple, remote oil 8-15  
noise suppressor cap 8-5, 8-7  
nongrease/spacers locker 13-23  
nozzle holder 7-41  
nozzle, main 10-17  
nut, keyswitch 6-23, 6-25

**O**  
oil cap 9-11  
oil deflector 13-13, 13-25  
oil dipstick 8-9  
oil drain plug 9-11  
oil filter 7-7, 7-11, 8-15, 9-11  
oil filter adapter 9-13  
oil filter bracket 9-13

# INDEX

oil filter guard 9-13  
oil filter nipple 9-15  
oil filter screen 8-9  
oil gauge 9-11  
oil pan 7-7  
oil pickup 9-11  
oil pickup screen 9-11  
oil pressure switch 7-5, 8-7, 9-7  
oil pump 7-17, 9-11  
oil pump and rotor 9-11  
oil pump drive gear 7-17  
oil pump plate 9-11  
oil pump rotor 9-11  
oil pump shaft 9-11  
oil pump spring 9-11  
oil pump spur gear 9-11  
oil seal 7-11, 7-19, 8-9, 8-13, 13-7, 13-9  
oil seal, crank 9-15  
oil seal, governor 9-15  
oil slinger 7-23  
oil valve seal 9-15  
oil warning light, low 6-23, 6-25  
O-ring 7-5, 7-7, 7-9, 7-11, 7-13, 7-23, 7-31, 7-39,  
7-53, 8-15, 9-11, 9-13, 10-13, 13-7, 13-9  
overflow pipe 7-41

## P

paint, touch-up 15-7  
pan  
center 1-29, 1-31  
oil 7-7  
seat 1-29, 1-31  
panel  
center cowl 1-9, 1-11  
driver-side 1-47  
driver-side cowl 1-9, 1-11  
front kick 1-47  
left 1-49  
passenger-side 1-47  
passenger-side cowl 1-9, 1-11  
right 1-49  
side 1-45  
panel, control 9-9  
panel, front 1-45, 1-47, 1-49  
panel, side 1-47  
p-clamp (fuel filter) 7-3, 8-3, 10-3, 10-9  
pedal, accelerator 10-27, 10-29  
pedal, brake 4-13  
pickup, oil 9-11  
pin, clevis 4-7, 4-9, 4-15  
pin, dowel 13-7  
pin, Mate-N-Lock 13-7  
pin, piston 7-23, 7-55, 8-13  
pin, slide, caliper slide pin 4-3, 4-5  
pinion 13-23  
pinion, steering 5-5

pipe  
breather 7-49  
coolant 14-7  
exhaust 11-3, 11-9  
injection 7-41  
overflow 7-41  
water 14-15  
water return 7-13, 14-11  
pipe band 14-11, 14-15  
pipe clamp 7-41  
pipe, coolant 14-7  
pipe, intake adapter 10-15  
piston 7-23, 7-55, 8-13, 9-19  
piston pin 7-23, 7-55, 8-13  
piston ring 7-23, 7-55  
piston ring compressor 15-9  
piston ring pliers 15-9  
piston ring set 8-13  
pivot, rocker arm 8-11  
plate  
armature 13-7  
back 1-41, 1-43  
camshaft 9-17  
cover, output 13-7  
electrical 6-19, 6-21  
engine block 7-5  
engine mounting 7-3, 8-3  
engine, left side 8-5  
fan housing 9-5  
fuel/oil 8-15, 10-9  
governor 9-9  
hinge 1-27, 1-29, 1-31, 1-33  
latch 1-39  
oil pump 9-11  
push rod guide 8-11  
shroud 7-25, 8-5  
skid 1-15, 1-17  
speed 7-39  
speed control 7-39  
tailgate latch wear 1-45  
thrust 13-7  
plate, closeout 1-47  
plate, steering wheel center 1-33  
pliers  
internal retaining ring 15-7  
piston ring 15-9  
retaining ring 15-9  
plug 13-13, 13-25  
drain 7-7  
driven clutch puller 15-5  
engine block 7-5, 7-9, 7-11, 13-21  
expansion 7-5  
gearcase 13-13, 13-21, 13-25  
glow 7-41  
hole 6-23, 6-25  
oil drain 13-7

oil fill 13-7  
oil filler 7-13  
tube 1-3  
plug, oil drain 9-11  
plug, spark 8-7, 8-11, 9-7  
press weldment 15-5  
prop rod 1-39  
prop shaft 13-11  
prop, hood 1-9, 1-11  
protector spray, battery terminal 15-3  
puller  
bearing 15-3  
clutch 15-3  
drive clutch 15-5  
drive clutch hub 15-5  
driven clutch cam 15-5  
flywheel 15-7  
seal 15-9  
special use tool 15-9  
pulley  
fan drive 7-33, 7-35  
water pump 7-33, 7-35  
pullrod, compression spring 10-27, 10-29  
pump  
fuel 10-9, 10-19  
fuel injection 7-37  
oil 7-17  
water 14-13  
push rod 7-21, 8-11, 9-17  
push rod tappet 9-17

## R

rack guide pressure spring 5-5  
rack, steering 5-5  
radiator 14-3  
radiator cap 14-3  
radiator pipe 14-7  
reamer, valve guide 15-9  
receiver, rear 5-15  
receptacle, accessory 6-23, 6-25  
reed valve assembly 9-15  
regulator, voltage 8-15, 9-7  
relay 6-19, 6-21  
relay connector 6-19, 6-21  
remover, bearing and oil seal 15-3  
reservoir, brake fluid 4-7  
reservoir, remote 4-7  
retainer  
spring (driven clutch) 12-13  
valve spring 7-47, 8-11  
retainer, valve spring 9-17  
retaining ring pliers 15-9  
retractor, seat belt 1-35  
reverse buzzer 13-3  
ring  
piston 7-23, 7-55

# INDEX

- snap 5-5
  - ring gear 7-25, 13-7, 13-23
  - ring set, piston 8-13
  - ring, C-type stop 5-5
  - ring, retaining, ext 5-7
  - rivet, blind push 1-13, 1-33
  - rocker arm 7-47, 9-17
  - rocker arm guide 9-17
  - rocker arm pivot 8-11
  - rocker arm stud 9-17
  - rocker cover 9-15
  - rocker cover gasket 9-15
  - rocker switch 1-43
  - rocker switch (lights) 6-23, 6-25
  - rod
    - connecting 7-23, 8-13
    - crank crank rod 7-23
    - equalizer 4-15
    - prop 1-39
    - push 7-21, 8-11
  - rod, push 9-17
  - roll cage 13-7
  - roller weight 12-9, 12-11, 12-15
  - roller, torque 12-9, 12-11, 12-15
  - ROPS front base weldment 1-13
  - ROPS kit 1-37
  - ROPS support tube 1-37
  - ROPS top 1-37
  - ROPS warning decal 3-3, 3-7
  - rotator, valve 8-11
  - rotor, brake 4-11, 13-21
  - rotor, oil pump 8-9, 9-11
  - rotor, oil pump and 9-11
  - rubber bumper 1-49
- S**
- safety first card 15-9
  - score card plate 1-33
  - screen grid 8-5
  - screen, oil filter 8-9
  - screen, oil pickup 9-11
  - screw, valve clearance adjuster 15-9
  - seal
    - dual lip 13-13, 13-17, 13-19, 13-23, 13-25, 13-29, 13-31
    - heat 7-41
    - oil 7-11, 7-19, 8-9, 8-13, 13-7, 13-9
    - oil valve 9-15
    - steering pinion dust 5-5
    - triple lip 13-13, 13-25
    - valve stem 7-47, 7-53, 8-11
  - seal puller 15-9
  - seal, carburetor 10-13
  - seat
    - bucket 1-29
    - valve 7-11
    - valve spring 8-11
  - seat back, bench 1-27, 1-33
  - seat belt retractor 1-35
  - seat bottom 1-27, 1-33
  - seat bottom, bench 1-27, 1-33
  - seat holder base 1-29, 1-31
  - seat, bucket 1-29, 1-31
    - bucket seat 1-31
  - seatbelt buckle 1-35
  - sending unit, fuel gauge 10-7, 10-11
  - sensor, coolant lamp 14-11
  - service kit, brake pad 4-3, 4-5
  - shaft
    - carburetor 10-13
    - CVT adapter 7-3
    - drive 13-11
    - fork lever 7-43
    - governor 9-9
    - governor arm 8-13
    - governor lever 7-39
    - idle gear 7-21
    - input 13-27
    - intermediate 13-15, 13-27
    - oil pump 9-11
    - output 13-27
    - pinion 13-9
    - prop 13-11
    - rock arm 7-47
    - shift 13-19, 13-31
  - shaft shift 13-17, 13-29
  - sheave, drive clutch base 12-13
  - sheave, driven clutch 12-13
  - shield, breather 7-13
  - shield, exhaust 11-9
  - shield, governor 11-3
  - shift, shaft 13-17, 13-29
  - shim 12-9, 12-11, 12-15, 13-23
  - shim, armature plate 13-7
  - shim, injection pump 7-37
  - shim, latch plate 1-39
  - shock absorber 5-11, 5-13
  - shock absorber, coil over 5-11, 5-13
  - shroud 8-5
    - head 8-5
  - shroud, engine 9-5
  - shroud, fan 14-3
  - side panel 1-47
  - side panel weldment 1-45
  - skid plate 1-15, 1-17
  - skidplate hardware kit 1-17
  - skidplate kit 1-17
  - slam latch 1-49
  - sleeve
    - crankshaft 7-23
    - governor 7-27
    - link 5-13
    - lower arm 5-7
    - upper suspension 5-7
  - slide adjuster 5-7
  - slide pin 4-3, 4-5
  - slide, adjuster 5-7
  - slider, governor 8-9
  - slinger, oil 7-23
  - snap ring 5-5
  - solenoid, carburetor 10-13
  - solenoid, stop 7-31
  - spacer 1-17
    - engine 7-3
    - key switch 6-23, 6-25
  - spacer block, differential 13-5
  - spanner wrench 15-9
  - spark plug 8-7, 8-11, 9-7
  - spark plug cap 8-5, 8-7
  - speed plate 7-39
  - spider 12-9, 12-11, 12-15
  - splash guard 1-13
  - spray, battery terminal protector 15-3
  - spring 9-11, 9-17
    - brake caliper return 4-5
    - brake return 4-15
    - carburetor 10-13
    - choke spring 10-21
    - compression 12-9, 12-11, 12-13, 12-15
    - continuity 10-19
    - detent bullet 13-15, 13-27
    - exhaust 11-3
    - governor 7-43, 9-9
    - governor idle 10-21
    - governor return 9-9
    - idle apparatus 7-29
    - latch tilt 1-45
    - pedal 10-27, 10-29
    - pedal stop 10-27, 10-29
    - rack guide pressure 5-5
    - relief valve 8-9
    - return 7-39
    - rocker arm 7-47
    - start 7-9, 7-43
    - torsion 10-27, 10-29
    - valve 7-11, 7-47, 8-11, 9-17
  - spring latch 1-49
  - sprocket 13-13, 13-25
  - start spring 7-43
  - starter motor 7-45, 8-7
  - starter motor, engine 9-7
  - stay
    - alternator assembly 7-33
    - cylinder head 7-9
    - fuel pump 10-19
    - spring 7-11
    - stop solenoid 7-31
  - steel bushing 1-41



# INDEX

steering column 5-3  
steering column bearing press tool 15-9  
steering column bracket 1-13  
steering column cover 5-3  
steering column retaining ring tool 15-9  
steering gear housing 5-5  
steering pinion dust seal 5-5  
steering rack 5-5  
steering wheel 1-33, 5-3  
steering wheel puller tool 15-9  
stem, valve 2-3  
stop solenoid stay 7-31  
stopper, camshaft 7-21  
stopper, fuel camshaft 7-27  
strap, fuel tank 10-3, 10-5, 10-9  
strip, FNR brush 1-19  
stud 7-3, 7-37, 7-51, 14-15  
    engine 8-7  
    idle adjustment 7-29  
    self-clinching 1-45, 1-49  
stud, ball 13-3  
support yoke (steering) 5-5  
support, structural 1-19  
sway bar 5-13  
swingarm 5-15  
switch  
    indicator (transmission) 13-15, 13-27  
    key 6-23, 6-25  
    light rocker 6-23, 6-25  
    limit 13-3  
    oil pressure 7-5, 8-7, 9-7  
switch, rocker 1-43

## T

tab, coolant pipe mounting 14-7  
tachometer 15-9  
tachometer probe, diesel 15-9  
tailgate 1-45, 1-49  
tailgate angle 1-45, 1-49  
tailgate latch wear plate 1-45  
taligate 1-45  
tank, fuel 10-7, 10-11  
tank, fuel (diesel) 10-11  
tank, fuel (gasoline) 10-7  
tape, double-sided 1-27  
tape, grip, accelerator pad 10-27, 10-29  
tape, vinyl foam 1-41, 14-3  
tappet 7-21  
tappet, push rod 9-17  
tee, coolant fill 14-3  
temperature indicator light, coolant 6-25  
tester, continuity 15-5  
tether 1-49  
thermometer, battery 15-3  
thermostat 14-11  
thread-forming grease fitting 5-15

throttle shaft, carburetor 10-13  
throttle valve 10-13  
thrust button 13-7  
thrust plate 13-7  
tie rod end 5-5  
tie wrap 1-43, 4-11, 4-15, 5-5, 10-21, 10-23, 10-25  
tilt bed 1-41  
tilt bed frame 1-41  
tilt latch hand grip 1-41, 1-45  
tire 2-3  
tire assembly, black 2-3  
tire, mud 2-3  
tool  
    accelerator pedal adjustment 15-3  
    belt tensioning, starter/generator 15-11  
    brake adjustment 15-3  
    brake cable release 15-3  
    brake pedal adjustment 15-3  
    brake pedal tension 15-3  
    cam installation 15-3  
    carburetor float level 15-7  
    charger bezel 15-3  
    clutch alignment 15-5  
    cT-wrench 15-5  
    drive clutch fixed sheave 15-5  
    drive clutch holder 15-5  
    drive clutch spider removal 15-5  
    driven clutch spring compression base 15-5  
    driven clutch spring compression collar 15-5  
    driven clutch spring compression nut 15-5  
    governor shaft installation 15-7  
    grommet 8-7  
    puller, special use 15-9  
    steering column bearing press 15-9  
    steering column retaining ring 15-9  
    steering wheel puller 15-9  
    transaxle axle seal 15-9  
    transaxle pinion seal 15-9  
    transmission 15-9  
    valve guide driver 15-9  
    valve seat cutter 15-5  
tool kit, clutch 15-5  
torque converter 12-13  
torque roller 12-9, 12-11, 12-15  
touch-up paint 15-7  
track, prop rod 1-39  
transaxle axle seal tool 15-9  
transaxle housing 13-23  
transaxle pinion seal tool 15-9  
transmission cable 10-21, 10-23, 10-25  
transmission cable bracket 7-3, 8-3  
transmission chain 13-13, 13-25  
transmission fork 13-13, 13-25

transmission tool 15-9  
transmission, diesel, parallel shaft 13-25  
transmission, gasoline, parallel shaft 13-13  
tube  
    axle 13-23  
    breather 7-13, 10-19  
    carburetor air vent 10-3, 10-5, 10-9  
    crankcase vent 10-15  
    diaphragm 10-19  
    fuel 10-19  
    fuel pickup 10-11  
    ROPS support 1-37  
tube bumper kit 1-3  
tune-up kit 15-9  
turn signal light 1-7  
T-wrench tool 15-5

## U

upright 5-7  
urethane bushing 1-41

## V

valve 10-31, 10-33, 10-35  
    breather 7-13, 8-13  
    exhaust 7-47, 8-11  
    fuel pickup tube 10-7  
    inlet 7-47, 8-11  
    lifter 8-13  
    rocker arm 8-11  
    rotator 8-11  
    seat 7-11  
    solenoid 10-17  
    spring seat 8-11  
valve assembly, reed 9-15  
valve clearance adjuster screw 15-9  
valve guide driver tool 15-9  
valve guide reamer 15-9  
valve seat cutter 15-5, 15-11  
valve seat cutter guide 15-11  
valve seat cutter tool 15-5  
valve seat t-wrench 15-11  
valve spring 9-17  
valve spring compressor 15-11  
valve spring retainer 9-17  
valve stem 2-3  
valve, carburetor 10-13  
valve, exhaust 9-17  
valve, float 10-13  
valve, intake 9-17  
valve, throttle 10-13  
V-belt 7-33  
vent barb 10-3, 10-5, 10-9  
vent, housing, upper 13-23  
vent, transmission 13-13, 13-25  
volt ohm meter 15-11

# INDEX

voltage regulator 8-15, 9-7

## W

warning light, low oil 6-23, 6-25

water flange 14-11

water pump 14-13

wedge, bearing puller 15-3

weight clutch 12-9, 12-11, 12-15

weldment

press 15-5

ROPS base front 1-13

weldment, accelerator pedal 10-27, 10-29

weldment, accelerator pedal bracket 10-27,  
10-29

weldment, actuator bracket 1-43

weldment, air cleaner support 10-31, 10-33,  
10-35

weldment, brake pedal 4-13

weldment, coolant pipe 14-7

weldment, Forward/Reverse shifter 13-3

weldment, Forward/Reverse shifter bracket  
13-3

weldment, front dash

dash weldment 1-13

weldment, lever, lost motion 10-29

weldment, receiver 5-15

weldment, shaft shift 13-17, 13-29

weldment, tilt bed frame 1-41

wheel 2-3

wheel, steering 1-33, 5-3

wire assembly 6-27, 6-29, 9-13, 10-7, 10-11

wire harness 1-5, 1-7, 1-43, 6-5, 6-9, 6-13, 6-17,  
9-7

wrap, tie 1-43, 4-11, 4-15, 5-5, 10-21, 10-23,  
10-25

wrench, spanner 15-9

## Y

yoke, gear 15-7

yoke, support (steering) 5-5





**Club Car, Inc.**  
P.O. Box 204658  
Augusta, GA 30917-4658  
USA

**Web** [www.clubcar.com](http://www.clubcar.com)  
**Phone** 1.706.863.3000  
1.800.ClubCar  
**Int'l** +1 706.863.3000  
**Fax** 1.706.863.5808