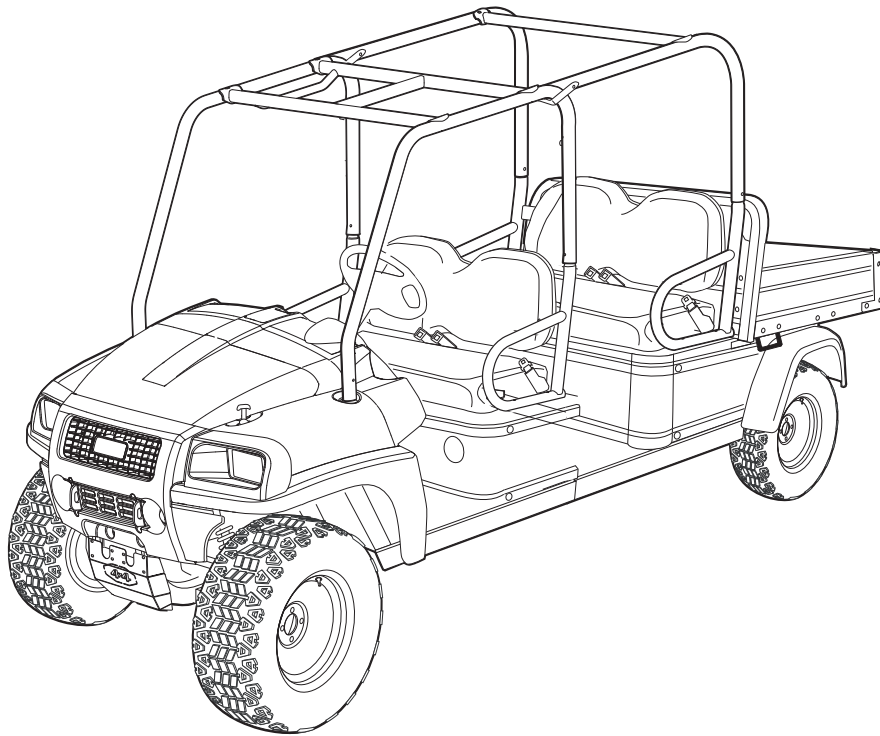




**2009-2011  
Carryall 295 SE  
and XRT 1550 SE  
Illustrated Parts List**



**Gasoline and Diesel Vehicles**

Manual Number 103472618  
Edition Code 0508K0112J



# USING THE ILLUSTRATED PARTS LIST

---

## **⚠ WARNING**

- **This manual is to be used only for identification and ordering of service parts. Be sure to read and use the maintenance and service manual before attempting any vehicle repairs.**

This manual covers all XRT1550 SE and Carryall 295 SE vehicles built during the 2009-2011 model years.

The manual is divided into sections. Note that there are two or three flags on the outside edge of each page. The first flag contains the section number of which that page is a part. The other flag (or flags) contains the letter D, E, or G, signifying that the page pertains to the diesel, electric, or gasoline vehicles only.

Use the Table of Contents to find the sections and pages that contain the parts and assemblies you seek. The Table of Contents lists section numbers, and under them, the individual page titles and numbers to be found in that section. The index can be used to find specific parts and assemblies. The index is divided into numerical and alphabetical listings with the page numbers in italic text.

There is a two-page spread for each individual page title in the Table of Contents. On the left-hand page is an illustration showing the parts in their relative positions; the parts are each tagged with an item number in a balloon. The right-hand page is the parts list page, and gives the page title at the top, then the item numbers (corresponding to the numbers on the illustration), part descriptions, and quantity of parts used.

Note that a part description may be indented. This indention corresponds to a parts assembly level indicated by the numbers 1, 2, 3, and 4 at the top left corner of the parts description area of the parts list page. A part that is indented to *level 2* is a component of the *level 1* part (assembly) that it is listed under. A *level 3* part is a component of the *level 2* part that it is listed under, and a *level 4* part is a component of the *level 3* part preceding it. In each case, the part quantity given for a level 2, 3, or 4 part is the quantity used per next higher level assembly of which it is a component. A part that is not indented is a *level 1* part. This means that the quantity given is the quantity used per the portion of the vehicle illustrated on that particular spread.

## **HOW TO ORDER PARTS**

Replacement parts and accessories can be obtained from our network of authorized dealers and distributors. You can obtain the name and phone number of your closest authorized Club Car dealer or distributor by visiting our web site at [www.clubcar.com](http://www.clubcar.com) and clicking on the "Distributor Search" link or by calling our toll-free Service Parts and Technical Assistance hotline at (800) 872-2246 or (706) 863-3000, extension 3887.



**P. O. Box 204658**  
**Augusta, Georgia 30917-4658 USA**  
**Telephone 706-863-3000**  
**Service Parts Fax 706-855-7413**  
**[www.clubcar.com](http://www.clubcar.com)**

**NOTE:** *This illustrated parts list represents the most current information at the time of publication. Club Car, LLC. is continually working to further improve its vehicles and other products. These improvements may affect the parts used to service the vehicle. Any modification and/or significant change in specifications will be forwarded to all Club Car and Carryall distributors/dealers and will, when applicable, appear in future editions of this illustrated parts list.*

*Club Car, LLC. reserves the right to change specifications and designs at any time without notice and without the obligation of making changes to units previously sold.*

Copyright © 2010 Club Car, LLC.  
Club Car is a registered trademark of Club Car, LLC.  
This manual effective October 1, 2010.



# CONTENTS

---

## SECTION 1 – BODY AND TRIM

---

Brush Guard .....	1-3
Fascia and Fenders – Carryall Vehicles .....	1-5
Fascia and Fenders – XRT Vehicles .....	1-7
Cowl Assemblies – Carryall Vehicles .....	1-9
Cowl Assemblies – XRT Vehicles .....	1-11
Front Body Components .....	1-13
Plastic Skid Plate .....	1-15
Steel Skid Plate .....	1-17
Dash .....	1-19
Glove Box .....	1-21
Side Stringers – 4 Passenger Vehicles .....	1-23
Floor Mat .....	1-25
Floor Mat – Rear .....	1-27
Floorboard .....	1-29
Floorboard – Rear .....	1-31
Bench Seats .....	1-33
Bucket Seats – Gray .....	1-35
Bucket Seats – Black .....	1-37
Bench Seat Conversion Kit .....	1-39
Seat Belts and Lower ROPS .....	1-41
ROPS .....	1-43
ROPS – Head Rests .....	1-45
Latch Plate and Prop Rod .....	1-47
Tilt Bed, Hinge, and Latch .....	1-49
Electric Bed Lift .....	1-51
Box Bed .....	1-53
Side Panels and Rear Fenders .....	1-55
Cargo Box (Steel) .....	1-57

---

## SECTION 2 – WHEELS AND TIRES

---

Wheels and Tires .....	2-3
------------------------	-----

---

## SECTION 3 – DECALS

---

Safety Decals – CA 295 SE and XRT 1550 SE Vehicles .....	3-3
Safety Decals – CA 295 SE and XRT 1550 SE Vehicles, Continued .....	3-5
Badging Decals – CA 295 SE Vehicles .....	3-7
Badging Decals – XRT 1550 SE Vehicles .....	3-9

# CONTENTS

---

## SECTION 4 – BRAKE SYSTEMS

---

Front Brake Assembly .....	4-3
Rear Brake Assembly .....	4-5
Master Cylinder with Remote Reservoir .....	4-7
Master Cylinder with Integral Reservoir .....	4-9
Hydraulic Brake Lines and Clips .....	4-11
Brake Pedal Assembly .....	4-13
Park Brake System .....	4-15
Park Brake Pedal Assembly .....	4-17
Front Brake Assembly (Style B) .....	4-19
Rear Brake Assembly (Style B) .....	4-21

---

## SECTION 5 – STEERING AND SUSPENSION

---

Steering Column .....	5-3
Steering Gear Assembly .....	5-5
Front Suspension – A-Arms .....	5-7
Cv Boot Repair Kits .....	5-9
Shock Absorbers – Standard .....	5-11
Shock Absorbers – High Capacity .....	5-13
Rear Suspension – Standard .....	5-15

---

## SECTION 6 – ELECTRICAL SYSTEM

---

Wiring – Gasoline Vehicles, Single Piece .....	6-5
Wiring – Diesel Vehicle, Single Piece .....	6-9
Electrical Component Box, Gasoline Vehicles .....	6-11
Electrical Component Box, Diesel Vehicles .....	6-13
Electrical Components – Gas .....	6-15
Electrical Components – Diesel .....	6-17
Battery – Gasoline Vehicles .....	6-19
Battery – Diesel Vehicles .....	6-21

---

## SECTION 7 – KAWASAKI FH680D GASOLINE ENGINE

---

Shrouds and Brackets .....	7-3
Ignition Components and Flywheel .....	7-5
Governor Arm and Springs .....	7-7
Oil and Lubrication Components .....	7-9
Oil Filter Adapter .....	7-11
Cylinder Head and Crankcase .....	7-13

# CONTENTS

---

Valves and Camshaft .....	7-15
Pistons and Crankshaft .....	7-17
Kawasaki FH680D Gasoline Engine Mounting .....	7-19

## SECTION 8 – DIESEL ENGINE – CLOSED BREATHER

---

Kubota D722 Diesel Engine Mounting .....	8-3
Crankcase .....	8-5
Oil Pan .....	8-7
Cylinder Head .....	8-9
Gear Case .....	8-11
Head Cover .....	8-13
Dipstick and Guide .....	8-15
Oil Pump .....	8-17
Main Bearing Case .....	8-19
Camshaft and Idle Gear .....	8-21
Piston and Crankshaft .....	8-23
Flywheel .....	8-25
Shaft .....	8-27
Idle Apparatus .....	8-29
Stop Solenoid .....	8-31
60-Amp Alternator .....	8-33
Injection Pump .....	8-35
Speed Control Plate .....	8-37
Nozzle Holders and Glow Plugs .....	8-39
Governor Components .....	8-41
Starter .....	8-43
Valves and Rocker Arms .....	8-45
Diesel Inlet Manifold .....	8-47
Exhaust Manifold .....	8-49
Gasket Kits .....	8-51
Piston Kit .....	8-53

## SECTION 9 – FUEL, INTAKE, AND GOVERNOR SYSTEM

---

Fuel System – Kawasaki Gasoline Vehicles .....	9-3
Fuel Tank – Gasoline Vehicles .....	9-5
Fuel System – Diesel .....	9-7
Fuel Tank – Diesel Vehicles .....	9-9
Carburetor Installation – Kawasaki Gasoline Vehicles .....	9-11
Cables – Kawasaki Gasoline Engine .....	9-13

# CONTENTS

---

Cables – Diesel Vehicles .....	9-15
Accelerator Pedal Assembly .....	9-17
Accelerator Pedal Assembly – Style B .....	9-19
Intake Duct and Air Box Assembly – Kawasaki Gasoline Vehicles .....	9-21
Intake Duct and Air Box Assembly – Diesel Vehicles .....	9-23
Carburetor Assembly, Kawasaki Gasoline Vehicles .....	9-25

## SECTION 10 – EXHAUST SYSTEM

---

Exhaust System .....	10-3
Exhaust Header – Kawasaki Gas .....	10-5
Exhaust Header – Honda Gas .....	10-7
Exhaust Pipes – Diesel Vehicles .....	10-9

## SECTION 11 – CLUTCHES

---

Clutch Cover (Standard) .....	11-3
Clutch Cover (Sealed) .....	11-5
Drive Belt .....	11-7
Drive Clutch – Diesel Vehicles .....	11-9
Driven Clutch .....	11-11
Drive Clutch – Gasoline Vehicles .....	11-13
Drive Clutch – Gasoline Vehicles .....	11-15
Drive Clutch – Diesel Vehicles .....	11-17
Driven Clutch .....	11-19

## SECTION 12 – DRIVETRAIN COMPONENTS

---

Forward/Reverse Shifter Assembly .....	12-3
Front Differential Mounting Plate .....	12-5
Front Differential (Output Components) .....	12-7
Front Differential (Input Components) .....	12-9
Prop Shafts .....	12-11
Transmission – Gasoline Vehicles .....	12-13
Transmission, Continued .....	12-15
Transmission Shift Shaft and Bell Crank .....	12-17
Rear Differential .....	12-19
Rear Differential, Continued .....	12-21
Transmission – Diesel Vehicles .....	12-23
Transmission – Diesel Vehicles, Continued .....	12-25
Transmission – Diesel Vehicles, Shift Shaft and Bell Crank .....	12-27

# CONTENTS

---

## SECTION 13 – RADIATOR AND COOLANT SYSTEM (DIESEL VEHICLES)

---

Radiator .....	13-3
Coolant Expansion Tank .....	13-5
Coolant Pipes and Hoses .....	13-7
Cooling System Clamps, Hoses, and Hardware .....	13-9
Water Flange and Thermostat .....	13-11
Water Pump .....	13-13
Block Coolant Pipe .....	13-15

## SECTION 14 – MAINTENANCE AND SERVICE TOOLS

---

Maintenance and Service Tools .....	14-3
Maintenance and Service Tools, Continued .....	14-5
Maintenance and Service Tools, Continued .....	14-7
Maintenance and Service Tools, Continued .....	14-9
Maintenance and Service Tools, Continued .....	14-11

## SECTION i – INDEX

---



# BODY AND TRIM

---

1

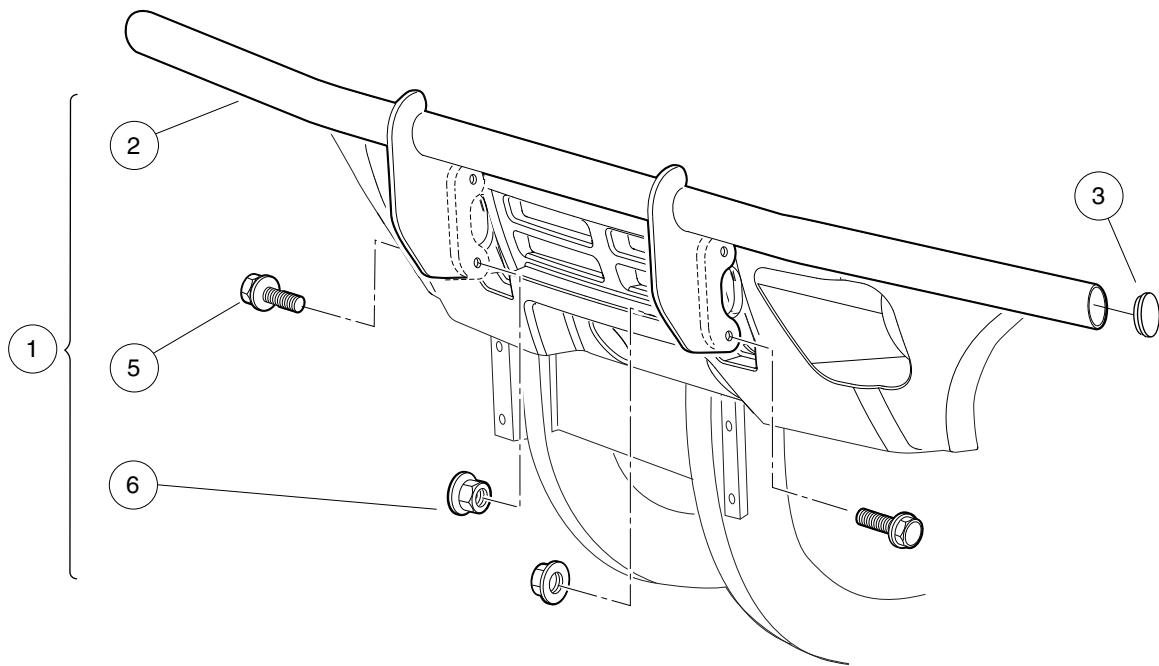
G

D

1

G

D



000526-001



# BRUSH GUARD

ITEM	PART NO.	DESCRIPTION	QTY
		<b>1 2 3 4</b>	
1	103236001	Kit, Tube Bumper CCI (includes items 2 through 6) .....	1
2	N/A	Weldment, Frt Bumper, Restyle .....	1
3	103215401	Plug, Tube, Round, 1-3/4" .....	2
4	N/A	Instructions, Brushguard/Bumper .....	1
5	103231701	Screw, M10 X 1.25 X 30 Hex Blk .....	4
6	103231801	Nut, Flg, M10 X 1.25 Hex Blk .....	4
		Note: Brushguard is standard on XRT vehicles and is optional on Carryall vehicles.	

**1**

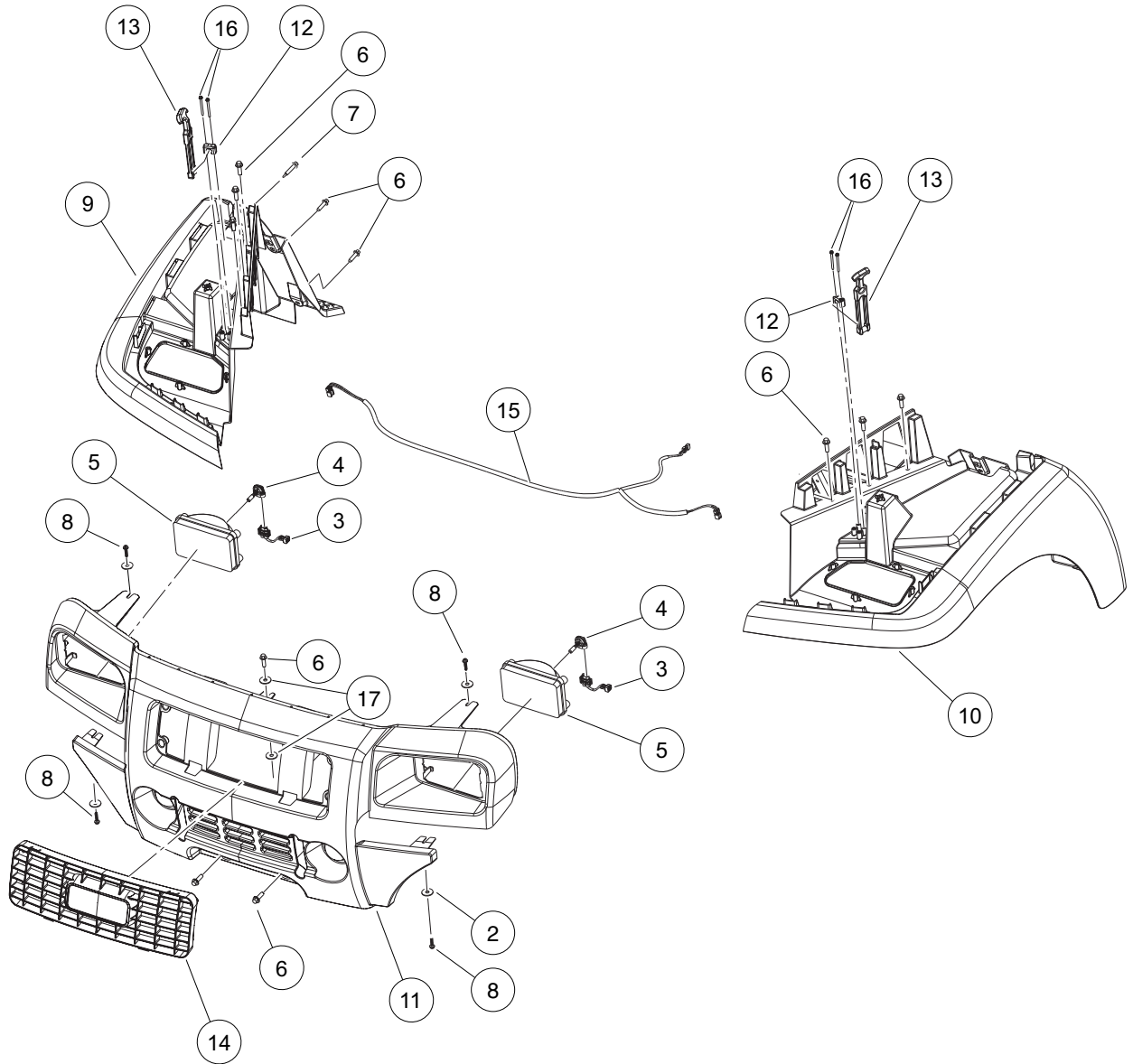
**G**

**D**

1

G

D



000507-001

## FASCIA AND FENDERS – CARRYALL VEHICLES

ITEM	PART NO.	DESCRIPTION	QTY
		1 2 3 4	
1	N/A	Instl, Fascia, Fenders, CA (includes items 2 through 17) .....	1
2	1011578	Washer, 5/16 Type B Flat .....	4
3	101987901	Connector Harness Assembly, Headlight .....	2
4	101988101	Bulb, Headlight .....	2
5	101988201	Lens, Headlight .....	2
6	102289001	Screw, M8X1.25X30, Hex .....	13
7	102292356	Screw-1/4-20x56 Hwh Self Drill .....	2
8	102297230	Screw,m6,torx,interlock,thread .....	4
9	102866901	Fender, Front, Pass, AWD .....	1
10	102867001	Fender, Front, Drv, AWD .....	1
11	102867501	Fascia, Front, CA, AWD .....	1
12	102882401	Bracket, Latch, Draw .....	2
13	102895101	Latch, Draw, Hood .....	2
14	102979401	Grill, CA295 .....	1
15	103213301	Harness, XRT/CA Restyle HDL .....	1
16	103218107	Screw, #8x2.00 AB Thd, Hex Hd .....	4
17	808	Washer, 3/8 Type B Flat .....	2

**1**

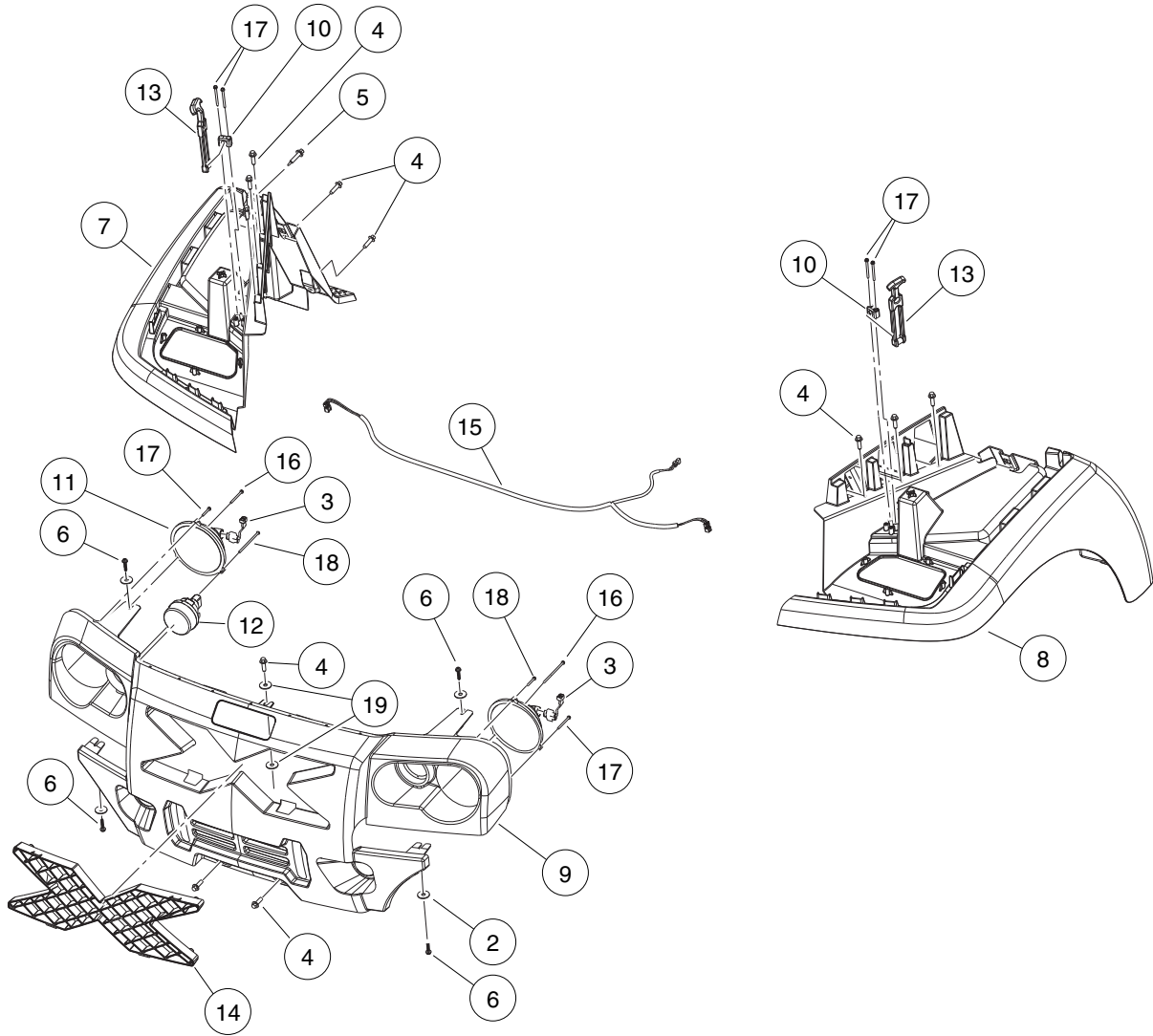
**G**

**D**

1

G

D



000522-001

## FASCIA AND FENDERS – XRT VEHICLES

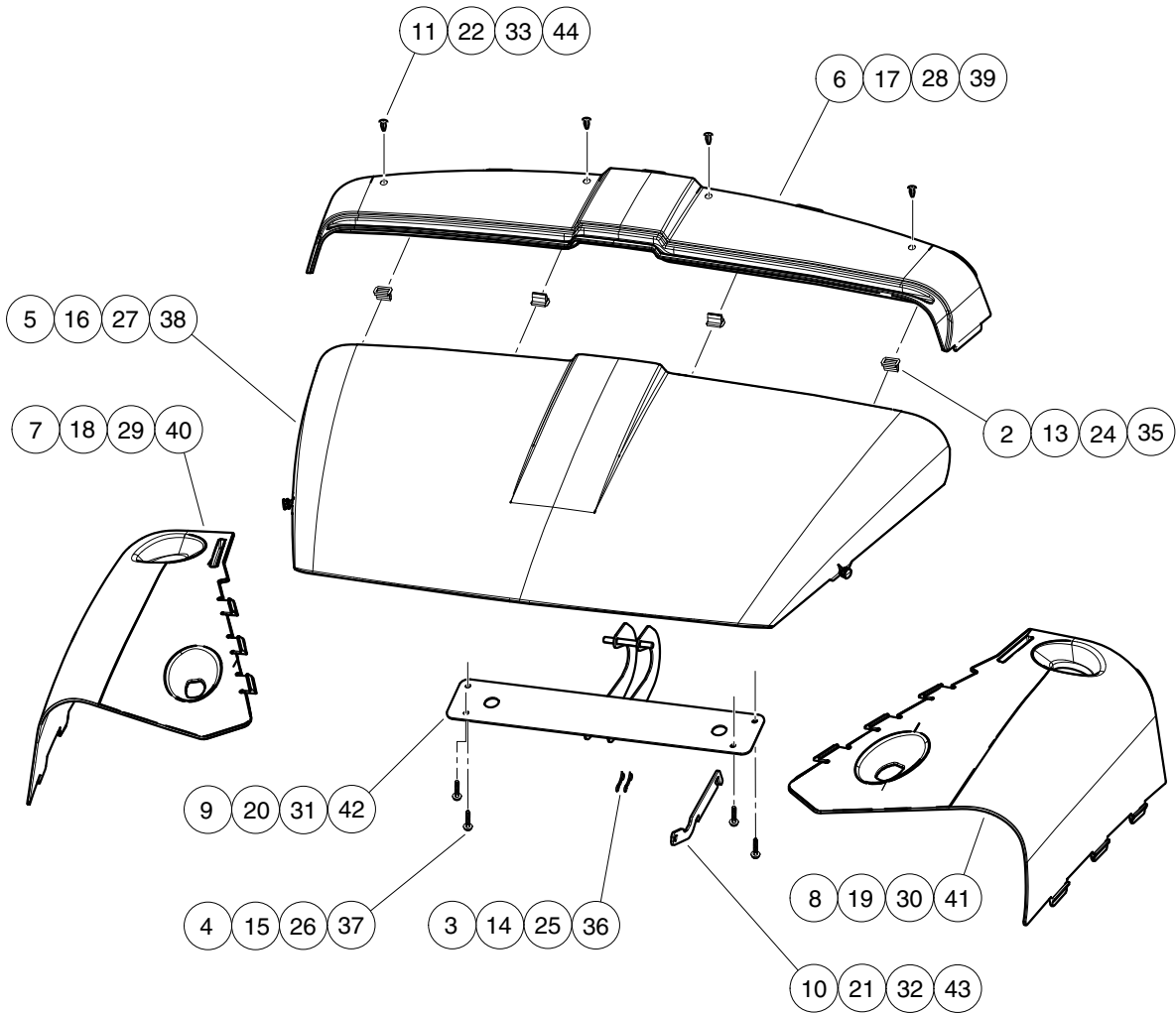
ITEM	PART NO.	DESCRIPTION	QTY
		<b>1 2 3 4</b>	
1	N/A	Instl, Fascia, Fenders, XRT (includes items 2 through 19) .....	1
2	1011578	Washer, 5/16 Type B Flat .....	4
3	101987901	Connector Harness Assembly, Headlight .....	2
4	102289001	Screw, M8X1.25X30, Hex .....	13
5	102292356	Screw-1/4-20x56 Hwh Self Drill .....	2
6	102297230	Screw,m6,torx,interlock,thread .....	4
7	102866901	Fender, Front, Pass, AWD .....	1
8	102867001	Fender, Front, Drv, AWD .....	1
9	102867401	Fascia, Front, XRT, AWD .....	1
10	102882401	Bracket, Latch, Draw .....	2
11	102894401	Headlight, 6 In Round .....	2
12	102894501	Light, Turn Signal, Round, 3" .....	2
13	102895101	Latch, Draw, Hood .....	2
14	102979301	Grill, XRT .....	1
15	103213301	Harness, XRT/CA Restyle HDL .....	1
16	103218104	Screw, #8x1.25 Ab Thd, Hex Hd .....	2
17	103218107	Screw, #8x2.00 AB Thd, Hex Hd .....	6
18	103218113	Screw, #8x3.50 Ab Thd, Hex Hd .....	2
19	808	Washer, 3/8 Type B Flat .....	2

**1**  
**G**  
**D**

1

G

D



000508-001

## COWL ASSEMBLIES – CARRYALL VEHICLES

ITEM	PART NO.	DESCRIPTION	QTY
		<b>1 2 3 4</b>	
1	N/A	Option, Color, CA, Dark Grn (includes items 2 through 11) .....	1
2	102292701	Clip-body-trim .....	4
3	102292801	Pin, Bow Tie Locking - .072 .....	2
4	102297230	Screw,m6,torx,interlock,thread .....	4
5	102866510	Hood, Dark Green .....	1
6	102866610	Panel, Cowl, Center, Dark Green .....	1
7	102866710	Panel, Cowl, Passenger-Side, Dark Green .....	1
8	102866810	Panel, Cowl, Driver-Side, Dark Green .....	1
9	102896401	Weldment, Hinge, Hood .....	1
10	102896501	Prop, Hood .....	1
11	102967901	Rivet, Removable, Tuflok 1/4" .....	4
12	N/A	Option, Color, CA, Dark Gray (includes items 13 through 22) .....	1
13	102292701	Clip-body-trim .....	4
14	102292801	Pin, Bow Tie Locking - .072 .....	2
15	102297230	Screw,m6,torx,interlock,thread .....	4
16	102866514	Hood, Dark Gray .....	1
17	102866614	Panel, Cowl, Center, Dark Gray .....	1
18	102866714	Panel, Cowl, Passenger-Side, Dark Gray .....	1
19	102866814	Panel, Cowl, Driver-Side, Gray .....	3
20	102896401	Weldment, Hinge, Hood .....	2
21	102896501	Prop, Hood .....	1
22	102967901	Rivet, Removable, Tuflok 1/4" .....	4
23	N/A	Option, Color, CA, Real Tree Camo (includes items 24 through 33) .....	1
24	102292701	Clip-body-trim .....	4
25	102292801	Pin, Bow Tie Locking - .072 .....	2
26	102297230	Screw,m6,torx,interlock,thread .....	4
27	102866518	Hood, Real Tree Camo .....	1
28	102866618	Panel, Cowl, Center, Real Tree Camo .....	1
29	102866718	Panel, Cowl, Passenger-Side, Real Tree Camo .....	1
30	102866818	Panel, Cowl, Driver-Side, Real Tree Camo .....	1
31	102896401	Weldment, Hinge, Hood .....	1
32	102896501	Prop, Hood .....	1
33	102967901	Rivet, Removable, Tuflok 1/4" .....	4
34	N/A	Option, Color, CA, Dlx Real Tree Camo (includes items 35 through 44) .....	1
35	102292701	Clip-body-trim .....	4
36	102292801	Pin, Bow Tie Locking - .072 .....	2
37	102297230	Screw,m6,torx,interlock,thread .....	4
38	102866518	Hood, Real Tree Camo .....	1
39	102866618	Panel, Cowl, Center, Real Tree Camo .....	1
40	102866718	Panel, Cowl, Passenger-Side, Real Tree Camo .....	1
41	102866818	Panel, Cowl, Driver-Side, Real Tree Camo .....	1
42	102896401	Weldment, Hinge, Hood .....	1
43	102896501	Prop, Hood .....	1
44	102967901	Rivet, Removable, Tuflok 1/4" .....	4

**1**

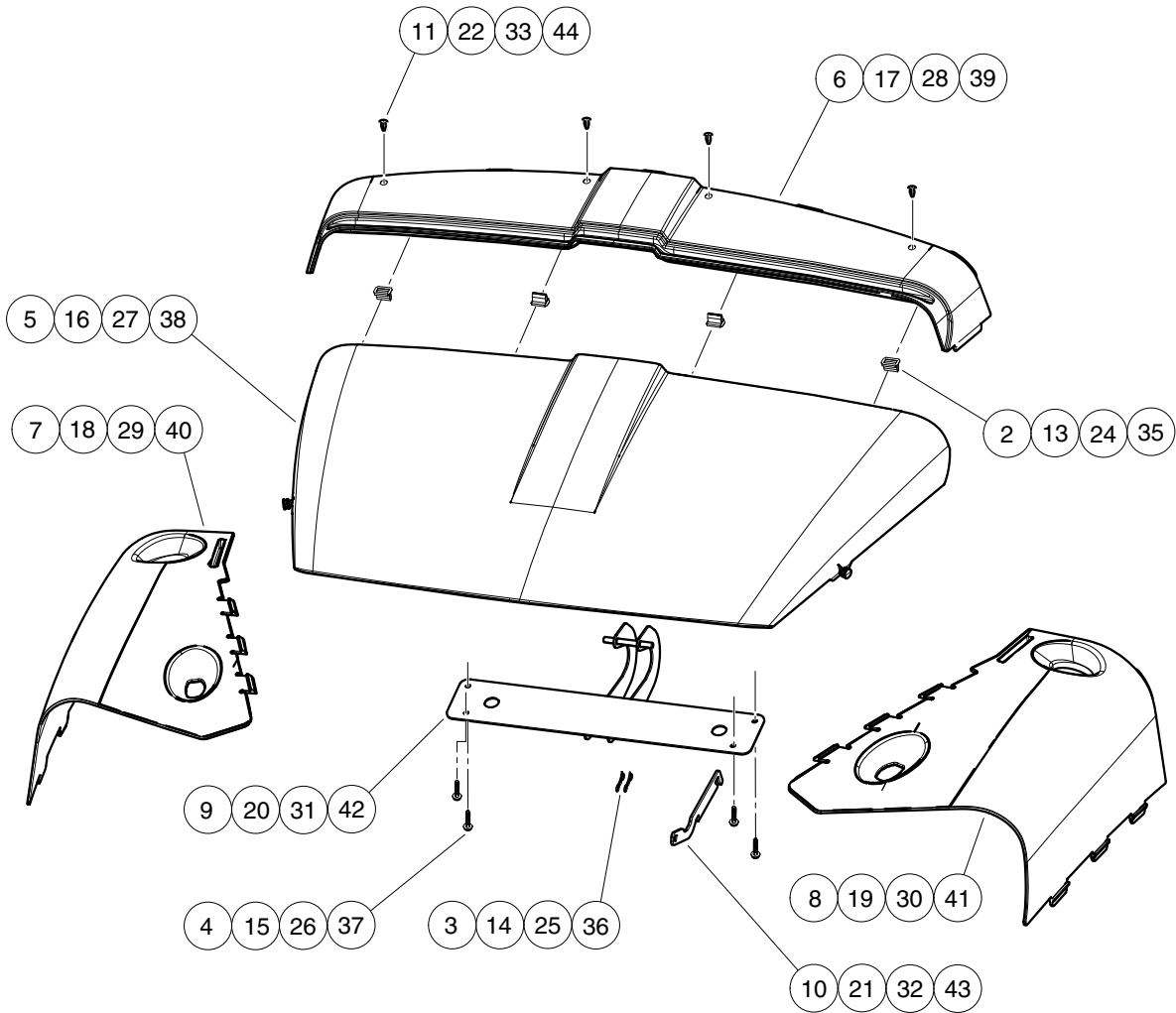
**G**

**D**

1

G

D



000508-001



# COWL ASSEMBLIES – XRT VEHICLES

ITEM	PART NO.	DESCRIPTION	QTY
		<b>1 2 3 4</b>	
1	N/A	Option, Color, XRT, Dark Green (includes items 2 through 11) .....	1
2	102292701	Clip-body-trim .....	4
3	102292801	Pin, Bow Tie Locking - .072 .....	2
4	102297230	Screw,m6,torx,interlock,thread .....	4
5	102866510	Hood, Dark Green .....	1
6	102866610	Panel, Cowl, Center, Dark Green .....	1
7	102866710	Panel, Cowl, Passenger-Side, Dark Green .....	1
8	102866810	Panel, Cowl, Driver-Side, Dark Green .....	1
9	102896401	Weldment, Hinge, Hood .....	1
10	102896501	Prop, Hood .....	1
11	102967901	Rivet, Removable, Tuflok 1/4" .....	4
12	N/A	Option, Color, XRT, Red (includes items 13 through 22) .....	1
13	102292701	Clip-body-trim .....	4
14	102292801	Pin, Bow Tie Locking - .072 .....	2
15	102297230	Screw,m6,torx,interlock,thread .....	4
16	102866515	Hood, Red .....	1
17	102866615	Panel, Cowl, Center, Red .....	1
18	102866715	Panel, Cowl, Passenger-Side, Red .....	1
19	102866815	Panel, Cowl, Driver-Side, Red .....	1
20	102896401	Weldment, Hinge, Hood .....	2
21	102896501	Prop, Hood .....	1
22	102967901	Rivet, Removable, Tuflok 1/4" .....	4
23	N/A	Option, Color, XRT, Real Tree Camo (includes items 24 through 33) .....	1
24	102292701	Clip-body-trim .....	4
25	102292801	Pin, Bow Tie Locking - .072 .....	2
26	102297230	Screw,m6,torx,interlock,thread .....	4
27	102866518	Hood, Real Tree Camo .....	1
28	102866618	Panel, Cowl, Center, Real Tree Camo .....	1
29	102866718	Panel, Cowl, Passenger-Side, Real Tree Camo .....	1
30	102866818	Panel, Cowl, Driver-Side, Real Tree Camo .....	1
31	102896401	Weldment, Hinge, Hood .....	1
32	102896501	Prop, Hood .....	1
33	102967901	Rivet, Removable, Tuflok 1/4" .....	4
34	N/A	Option, Color, XRT, Dlx Real Tree Camo (includes items 35 through 44) .....	1
35	102292701	Clip-body-trim .....	4
36	102292801	Pin, Bow Tie Locking - .072 .....	2
37	102297230	Screw,m6,torx,interlock,thread .....	4
38	102866518	Hood, Real Tree Camo .....	1
39	102866618	Panel, Cowl, Center, Real Tree Camo .....	1
40	102866718	Panel, Cowl, Passenger-Side, Real Tree Camo .....	1
41	102866818	Panel, Cowl, Driver-Side, Real Tree Camo .....	1
42	102896401	Weldment, Hinge, Hood .....	1
43	102896501	Prop, Hood .....	1
44	102967901	Rivet, Removable, Tuflok 1/4" .....	4

1

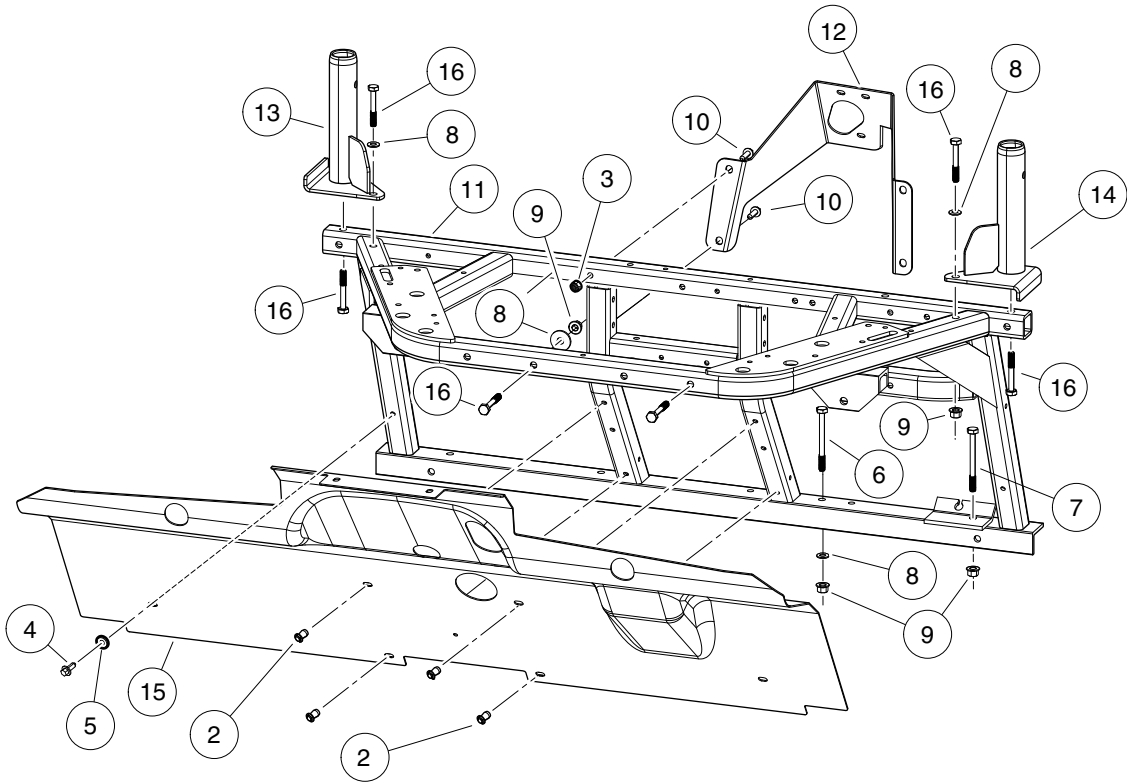
G

D

1

G

D



000521-001

# FRONT BODY COMPONENTS

ITEM	PART NO.	DESCRIPTION	QTY
		<b>1 2 3 4</b>	
1	N/A	Instl, Cowl Weldmnt/Splash Guard (includes items 2 through 16) .....	1
2	1016967	Blind Rivet, Push Type .....	4
3	102298401	Nut,m8,all Metal Lock .....	2
4	102298720	M8-1.25x20 Taptite .....	2
5	102323501	Washer, Flat, 3/8, Blk Fin .....	2
6	102491301	Bolt, M10x1.50x100 (Black) .....	3
7	102491302	Bolt, M10 X 1.50 X 110 Black .....	1
8	102491501	Washer Hard,m10 .....	12
9	102617201	Nut Flg M10 X 1.5 Mech Def .....	10
10	102618301	Bolt Flanged Head, M8 X 1.25 X 65 .....	2
11	102935501	Weldment, Dash, Front .....	1
12	102977201	Bracket, Column, Steering .....	1
13	102983201	Weldment, Front, Base, ROPS, Right-Hand .....	1
14	102983601	Weldment, Front, Base, ROPS, Left-Hand .....	1
15	103296001	Guard, Splash, Gas Injection .....	1
16	96715552	Bolt, M10 X 1.50 X 65 .....	8

**1**

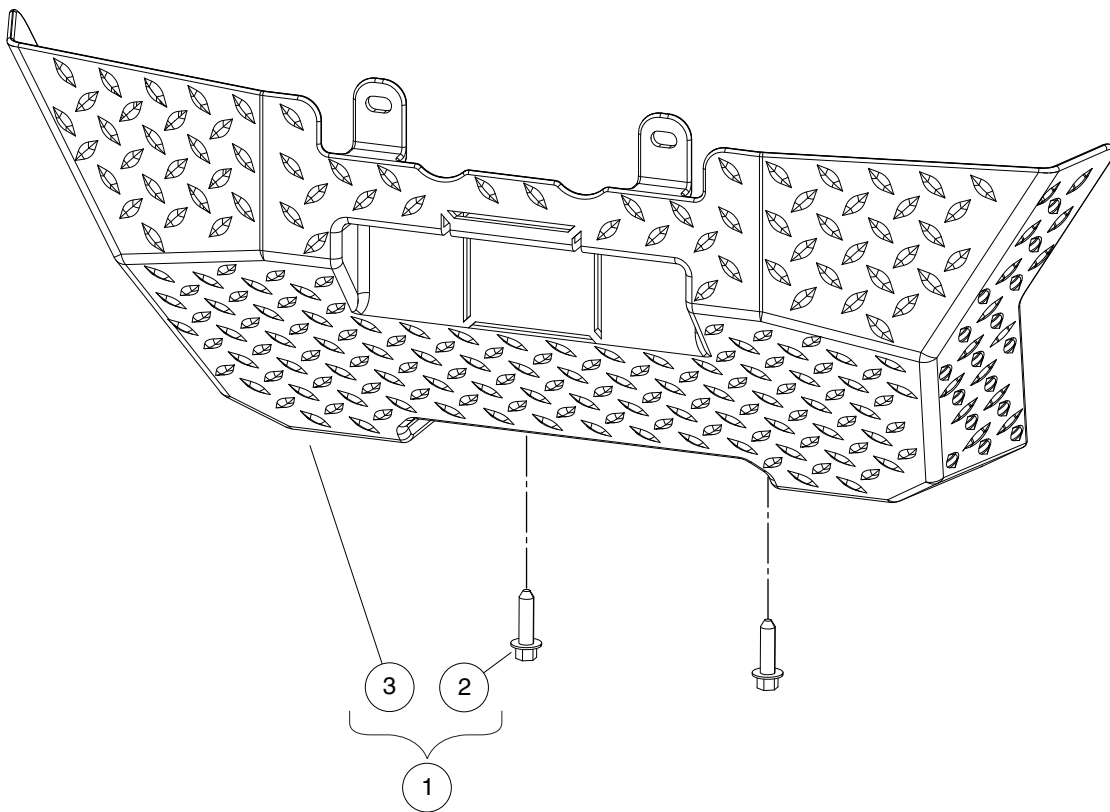
**G**

**D**

1

G

D



000537-002

# PLASTIC SKID PLATE

ITEM	PART NO.	DESCRIPTION	QTY
		1 2 3 4	
1	N/A	Instl, Skid, Std (includes items 2 and 3) .....	1
2	102289001	Screw, M8X1.25X30, Hex .....	2
3	102882301	Plate, Skid, Std .....	1

1

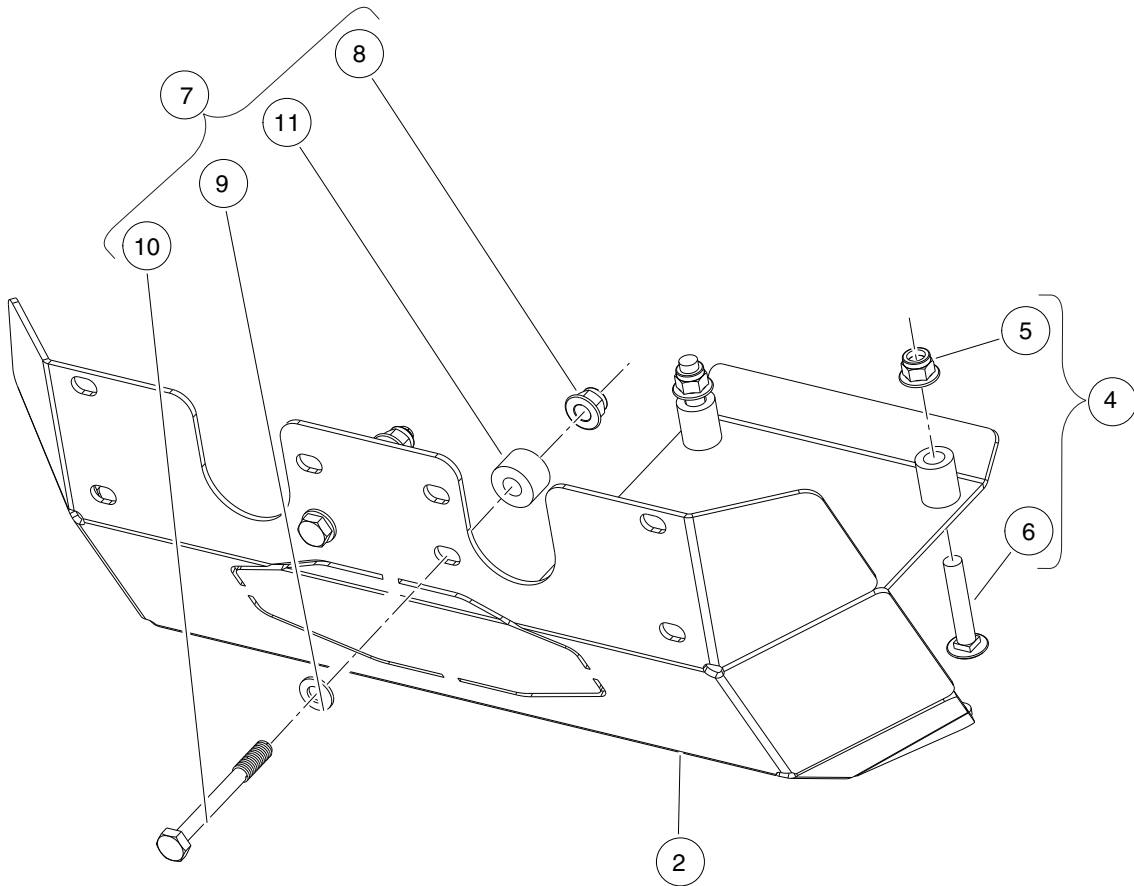
G

D

1

G

D



000537-001

# STEEL SKID PLATE

ITEM	PART NO.	DESCRIPTION	QTY
		<b>1 2 3 4</b>	
1	AM1211003	Kit, Skidplate, Front, Steel (includes items 2 through 7) .....	1
2	AM1210002	Skid Plate, Front, Steel .....	1
3	N/A	Instructions, Front Skidplate .....	1
4	AM1215701	Kit, Hardware, Skidplate, Front, A (includes items 5 and 6) .....	1
5	102670701	Nut Flg M10 X 1.5 Nylon .....	2
6	AM1210801	Bolt, Carriage, M10x1.5x55 .....	2
7	AM1215801	Kit, Hardware, Skidplate, Front, B (includes items 8 through 11) .....	1
8	102670701	Nut Flg M10 X 1.5 Nylon .....	2
9	102718101	Washer, Hard, M10, Zn-Ni/Blk .....	2
10	102719301	Bolt, M10 X 1.50 X 90, Loctite .....	2
11	AM1211401	Spacer, 17mm Long, Skidplate .....	2

1

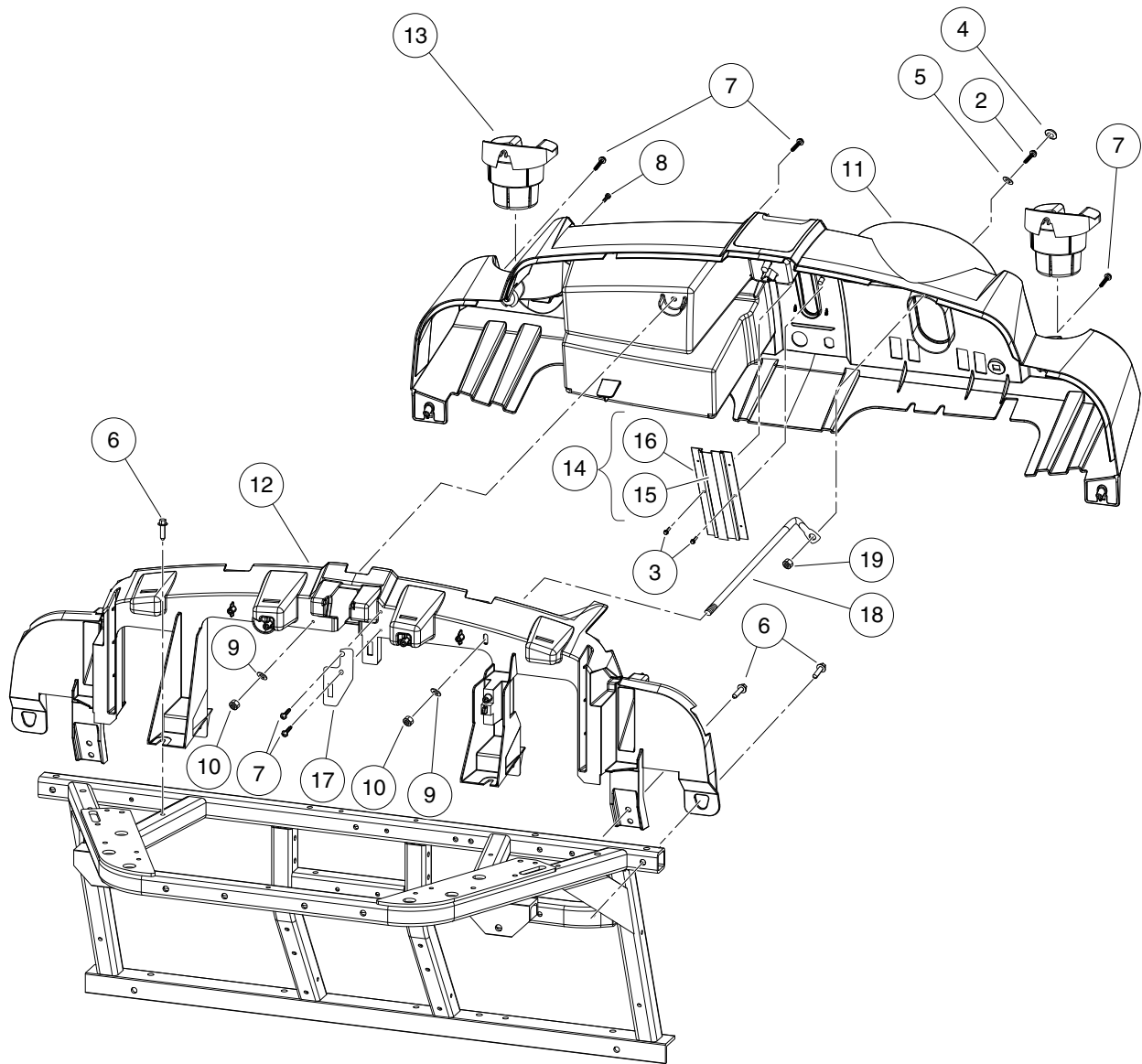
G

D

1

G

D



000519-001



**DASH**

ITEM	PART NO.	DESCRIPTION	QTY
		<b>1 2 3 4</b>	
1	N/A	Instl, Dash (includes items 2 through 19) .....	1
2	1016916	Screw, 1/4-20 X 1.50 Hex-Head Cap .....	1
3	101804301	Screw, #8 X 0.500, Hex-Head Hi-Lo .....	2
4	102045001	Cap, 1/4" Plastic Screw Head .....	1
5	102048401	Washer, 1/4 Id Scalloped Plast .....	1
6	102289001	Screw, M8X1.25X30, Hex .....	6
7	102297230	Screw,m6,torx,interlock,thread .....	5
8	102298580	M8-1.25 X 80 Sems .....	1
9	102491501	Washer Hard,m10 .....	2
10	102618601	Lock Nut, Flg M8 X 1.25 Nylon .....	2
11	102867101	Dash, Design A .....	1
12	102867301	Support, Structural .....	1
13	102883401	Cup Holder, Utility .....	2
14	103233001	Asm, Brush, Fnr (includes items 15 and 16) .....	2
15	103179901	Brush, Strip, FNR .....	2
16	103180001	Holder, Brush, Strip, Fnr .....	2
17	103253801	Bracket, Hood Support .....	1
18	103268001	Rod, Connection, Dash .....	1
19	8233	Locknut, 1/4-20 Nylon Insert .....	1

**1**

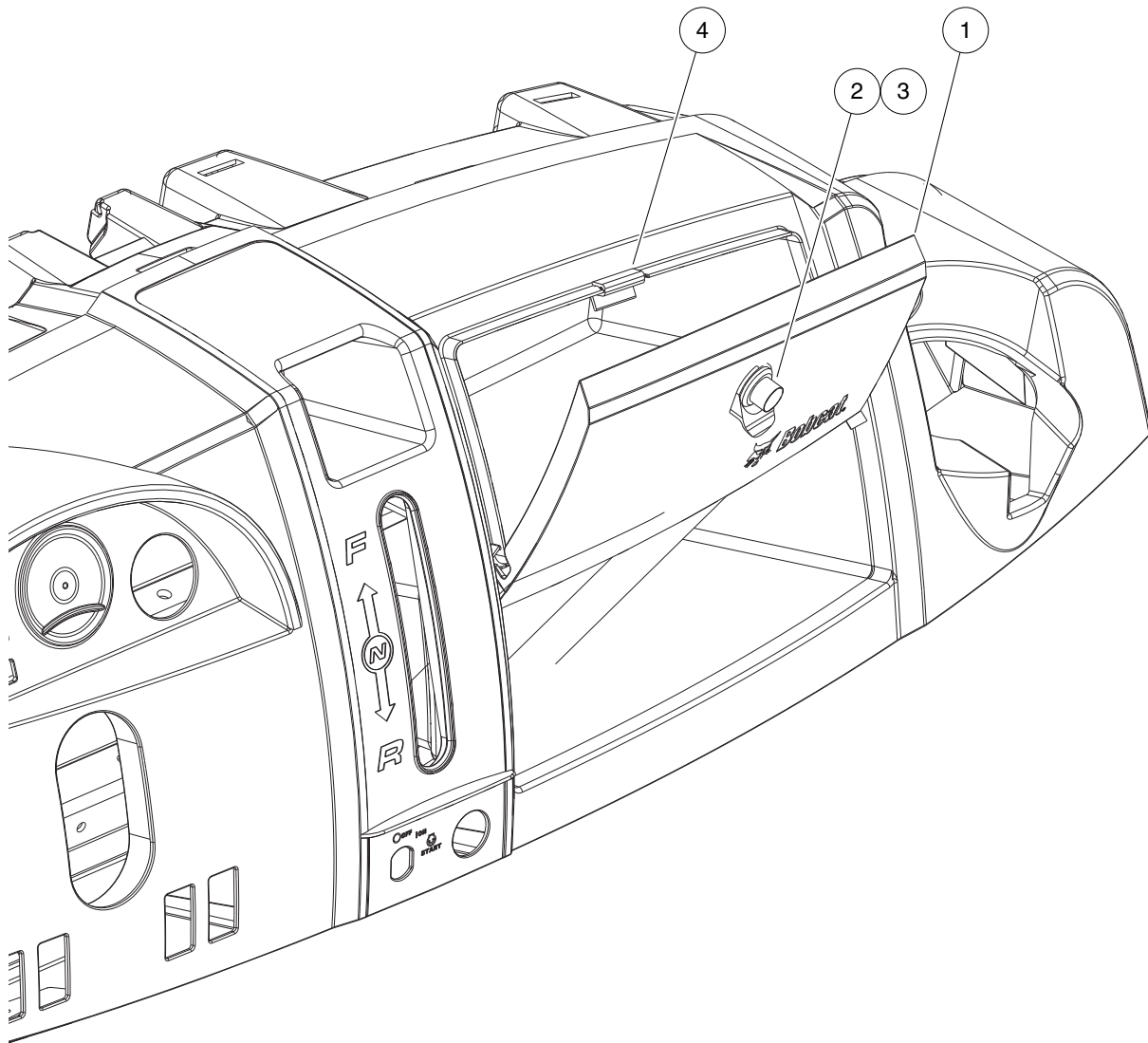
**G**

**D**

1

G

D



000789-002

# GLOVE BOX

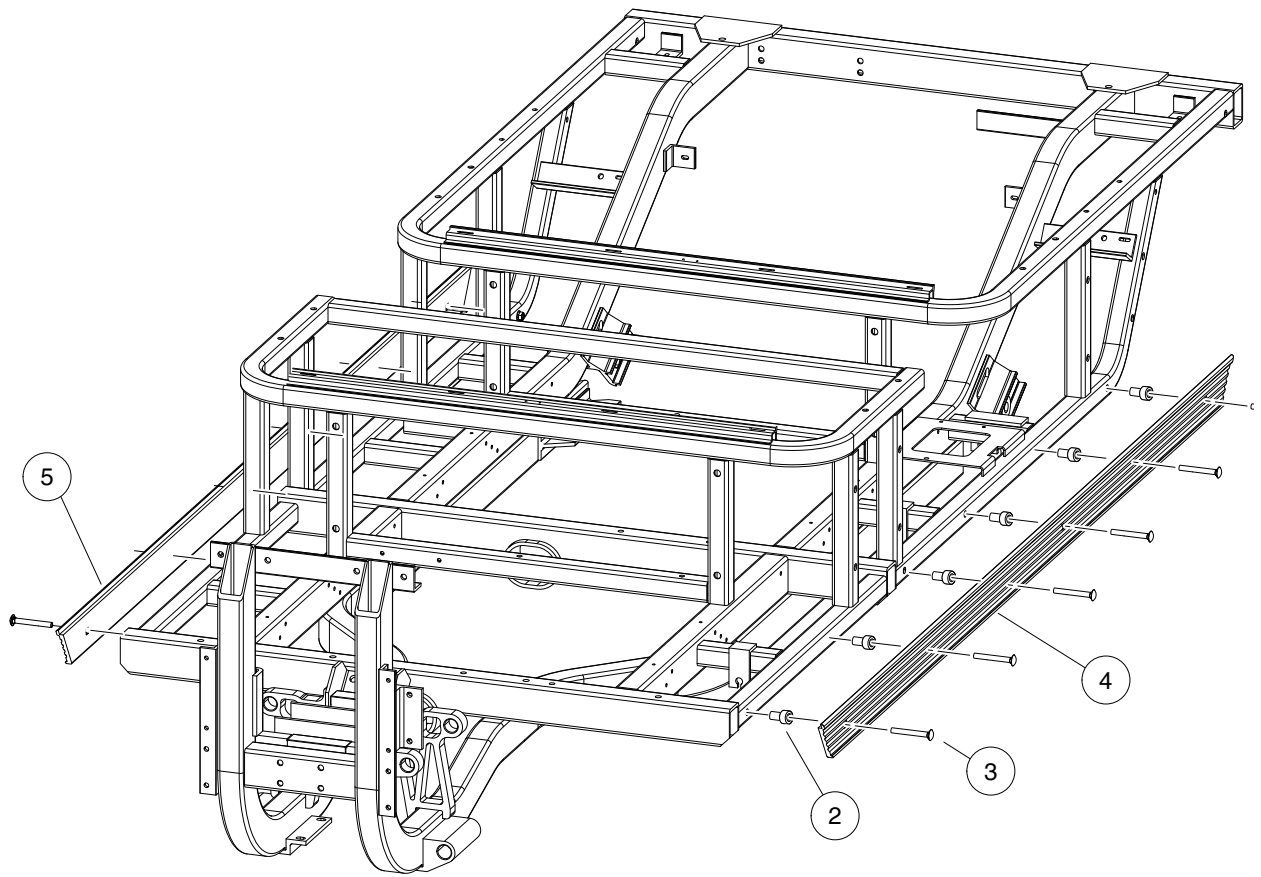
ITEM	PART NO.	DESCRIPTION	QTY
1	102867202	Cover, Storage, Dash, Blk, Cci .....	1
2	103182701	Latch, Push Close .....	1
3	103182702	Latch, Push Close W/ Key .....	1
4	103182801	Keeper, Latch, Push Close .....	1

**1**  
**G**  
**D**

1

G

D



000527-002

## SIDE STRINGERS – 4 PASSENGER VEHICLES

ITEM	PART NO.	DESCRIPTION	QTY
		1 2 3 4	
1	N/A	Instl, Black Stringer, Stretch (includes items 2 through 5) .....	1
2	102491701	Well Nut 1/4-20 .....	12
3	103487501	Screw, 1/4-20 X 1.0, Black .....	12
4	103488801	Stringer, Side, Awd, Se, Ds .....	1
5	103488802	Stringer, Side, Awd, Se, Ps .....	1

1

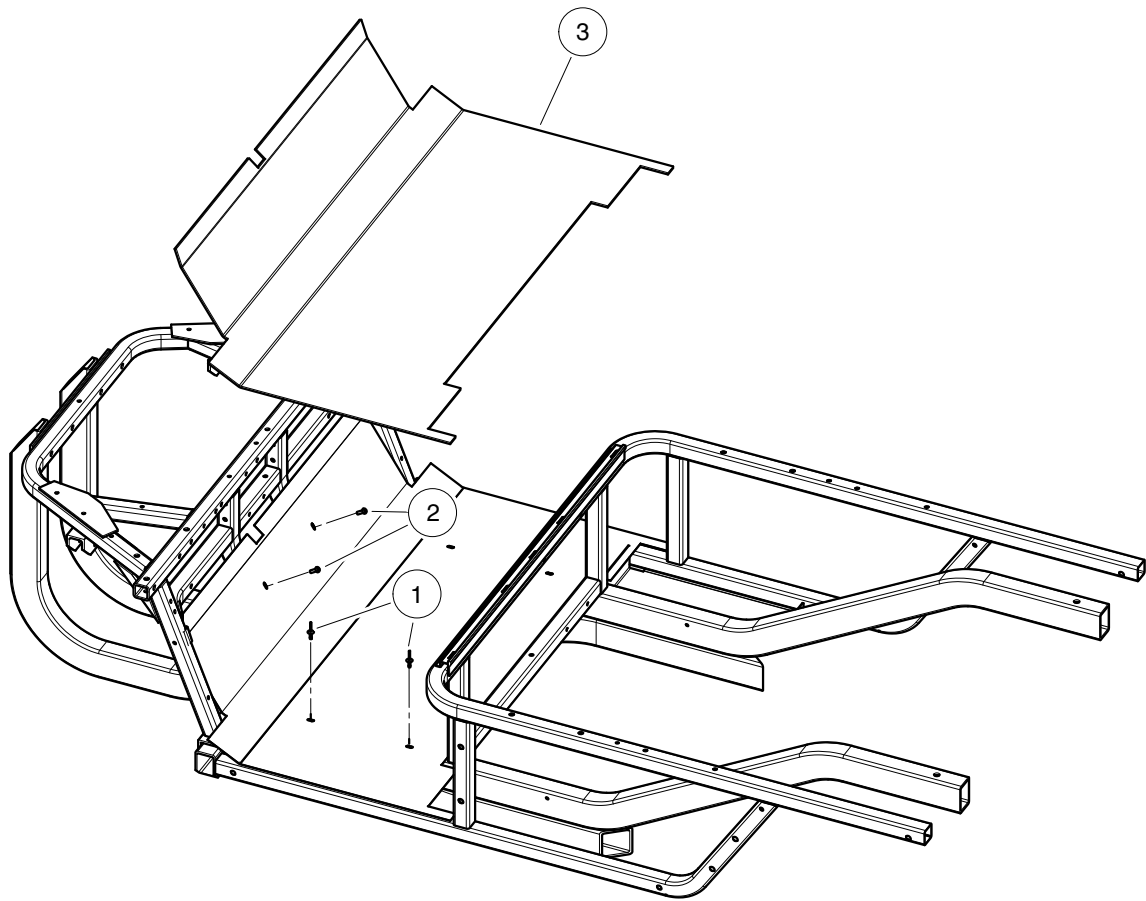
G

D

1

G

D



000520-001

# FLOOR MAT

ITEM	PART NO.	DESCRIPTION	QTY
		1 2 3 4	
1	1015392	Rivet, 3/16 Pop .....	4
2	102025801	Screw, 1/4-20 X .75 Torx Pn Hd .....	2
3	102895701	Floor Mat .....	1

1

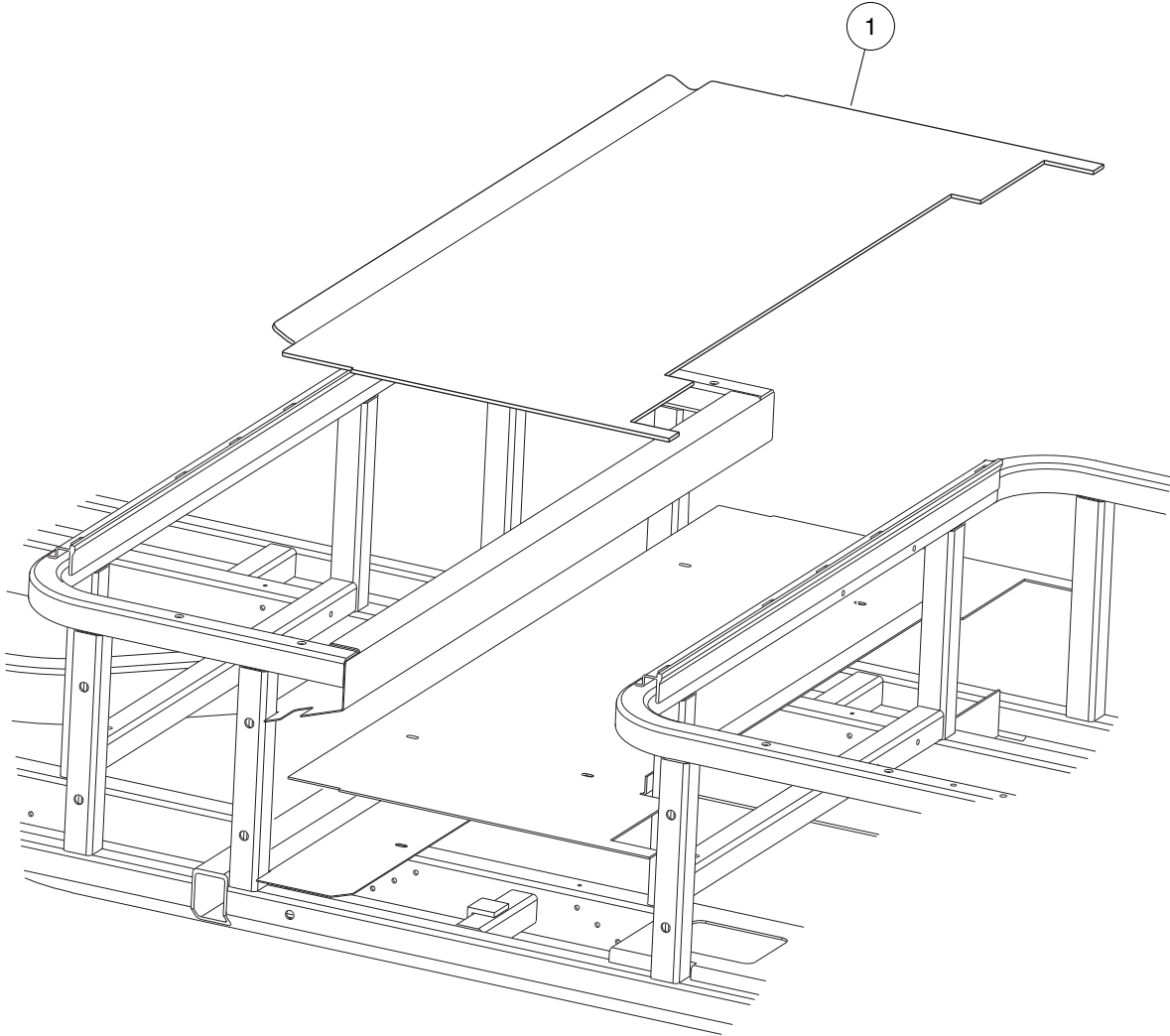
G

D

1

G

D



000520-002



# FLOOR MAT – REAR

ITEM	PART NO.	DESCRIPTION	QTY
1	103189501	<div style="display: flex; justify-content: space-between; margin-bottom: 5px;"> <span>1</span> <span>2</span> <span>3</span> <span>4</span> </div> Mat, Floor, Short .....	1

1

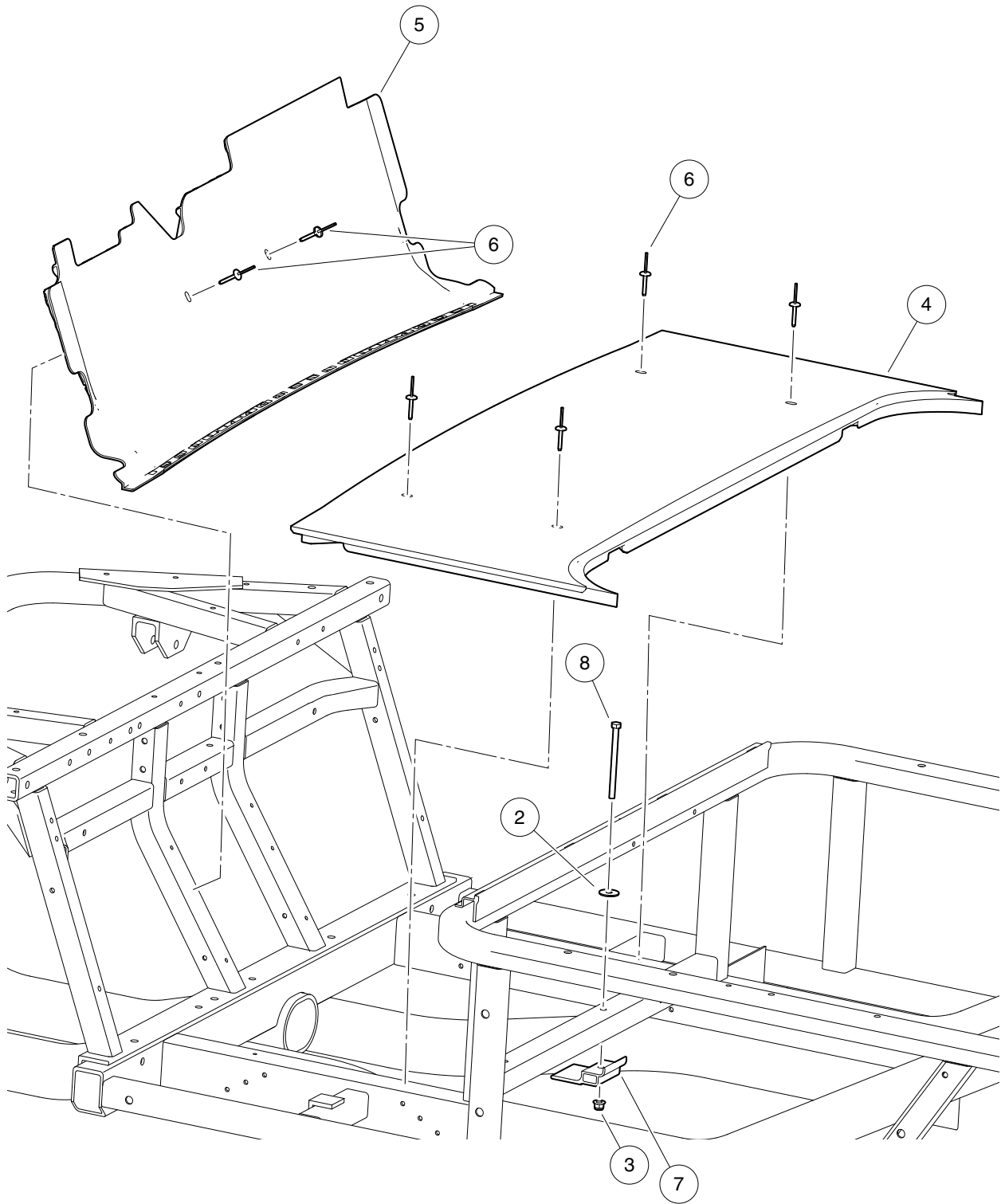
G

D

1

G

D



000790-001

# FLOORBOARD

ITEM	PART NO.	DESCRIPTION	QTY
		1 2 3 4	
1	N/A	Instl, Floorboard (includes items 2 through 8) .....	1
2	1011578	Washer, 5/16 Type B Flat .....	1
3	102618601	Lock Nut, Flg M8 X 1.25 Nylon .....	1
4	103319601	Floorboard, Lower .....	1
5	103319701	Floorboard, Upper .....	1
6	103400001	3/16 X 1.19 Alum Rivet, Blk .....	6
7	N/A	Bracket, Support, Floorboard .....	1
8	103423701	Bolt, M8 X 1.25 X 110 .....	1

**1**

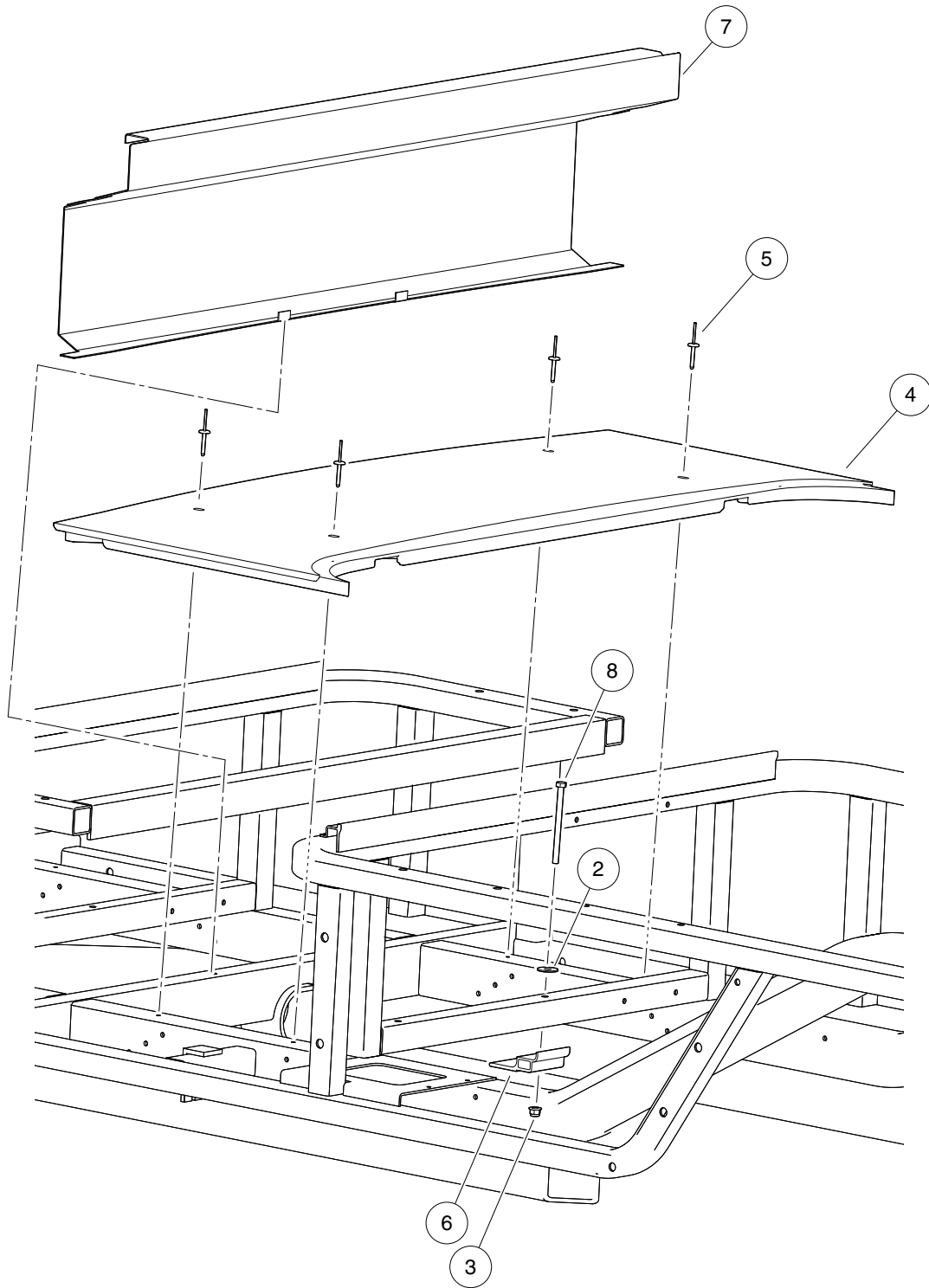
**G**

**D**

1

G

D



000790-002

# FLOORBOARD – REAR

ITEM	PART NO.	DESCRIPTION	QTY
		<b>1 2 3 4</b>	
1	N/A	Instl, Floorboard, Rear (includes items 2 through 8) .....	1
2	1011578	Washer, 5/16 Type B Flat .....	1
3	102618601	Lock Nut, Flg M8 X 1.25 Nylon .....	1
4	103319601	Floorboard, Lower .....	1
5	103400001	3/16 X 1.19 Alum Rivet, Blk .....	4
6	N/A	Bracket, Support, Floorboard .....	1
7	N/A	Plate, Footwell, Rear .....	1
8	103423701	Bolt, M8 X 1.25 X 110 .....	1

**1**

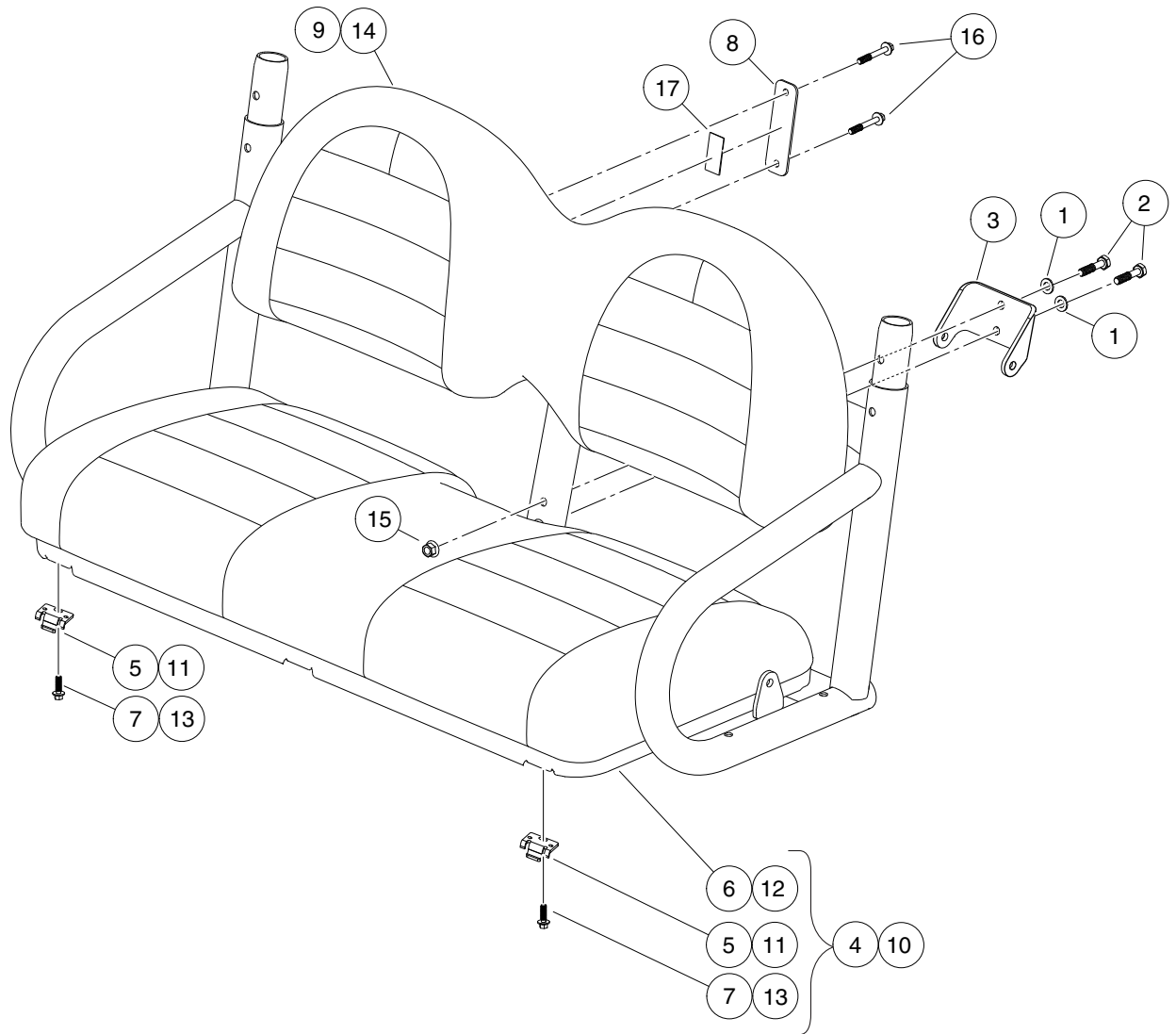
**G**

**D**

1

G

D



000523-001

# BENCH SEATS

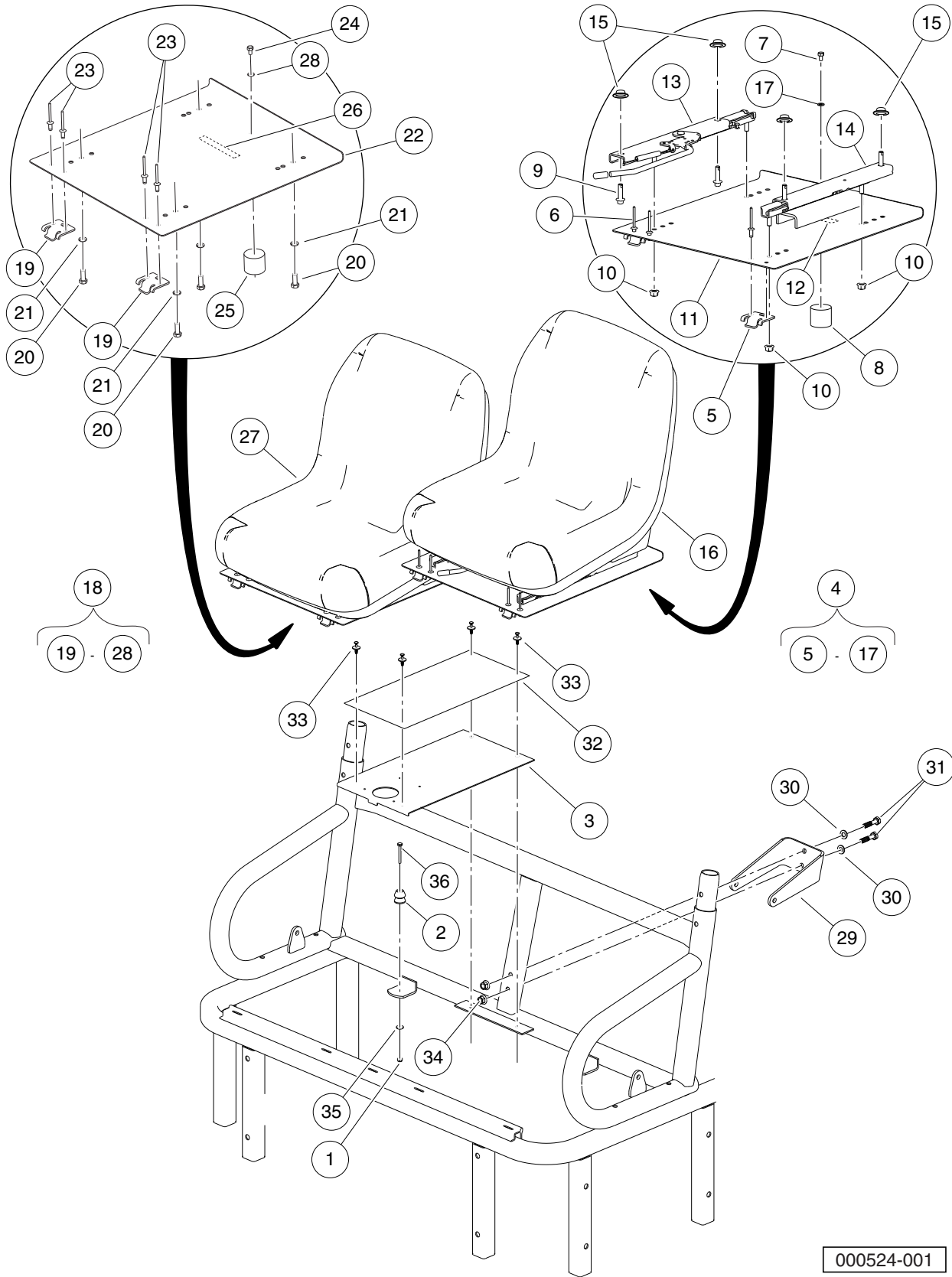
ITEM	PART NO.	DESCRIPTION	QTY
		<b>1 2 3 4</b>	
1	102718101	Washer, Hard, M10, Zn-Ni/Blk .....	2
2	102732401	Bolt, M10 X 45, Zn-Ni (Black) .....	2
3	102759901	Bracket, Seat Belt, Bench .....	1
4	102879201	Asm, Seat Bottom, Bench, Gray (includes items 5 through 7) .....	1
5	1011652	Hinge Plate .....	2
6	102759601	Asm, Seat Bottom, Bench .....	1
7	103262201	Bolt Flg Blk, M8 X 25, Loctite .....	2
8	102879401	Bracket, Seat Back, AWD .....	2
9	102912301	Seat Back, Bench, Gray .....	1
10	103181001	Asm, Seat Bottom, Bench, Black (includes items 11 through 13) .....	1
11	1011652	Hinge Plate .....	2
12	N/A	Seat Bottom, Bench, Black .....	1
13	103262201	Bolt Flg Blk, M8 X 25, Loctite .....	2
14	103181101	Seat Back, Bench, Black .....	1
15	103216401	Nut, Flanged, M10 x 1.5, Black .....	2
16	103262601	Bolt Flg Blk, M8 X 55, Loctite .....	4
17	N/A	Tape, Double-Sided, VHB, 1"x 2" .....	1

**1**  
**G**  
**D**

**1**

**G**

**D**



000524-001



## BUCKET SEATS – GRAY

ITEM	PART NO.	DESCRIPTION	QTY
		<b>1 2 3 4</b>	
1	101887601	Locknut, M6-1.00 Nylon Insert .....	2
2	102059001	Seat Holder Base .....	2
3	102442001	Pan, Center, Closeout .....	1
4	102473701	Asm, Bucket Seat Adjustable (includes items 5 through 17) .....	1
5	1011652	Hinge Plate .....	2
6	102047001	Rivet, 1/4 X .438 Blind .....	4
7	102059401	Screw, 6m-1.00 X 10mm Hex Head .....	1
8	102061101	Seat Holder Cup .....	1
9	102298130	Bolt, Flange Head, M8 X 30.0 .....	4
10	102298401	Nut, m8, all Metal Lock .....	4
11	102456001	Pan, Seat, Driver Asm .....	1
12	102458901	Decal, Hot Surface Warning .....	1
13	102473501	Adjuster, Forward/Aft .....	1
14	102473601	Adjuster, Slider .....	1
15	102475901	Washer, Bell .....	4
16	103267001	Seat, Bucket, Gray .....	1
17	451	Lockwasher, 1/4 Split .....	1
18	N/A	Assembly, Bucket Seat w/Spacers (includes items 19 through 28) .....	1
19	1011652	Hinge Plate .....	2
20	1012830	Screw, M8-125 X 22 Hex-Head .....	4
21	1013734	Lockwasher, 8mm Split .....	4
22	102023703	Pan, Seat, Passenger .....	1
23	102047001	Rivet, 1/4 X .438 Blind .....	4
24	102059401	Screw, 6m-1.00 X 10mm Hex Head .....	1
25	102061101	Seat Holder Cup .....	1
26	102458901	Decal, Hot Surface Warning .....	1
27	103267001	Seat, Bucket, Gray .....	1
28	451	Lockwasher, 1/4 Split .....	1
29	102670601	Bracket, Seatbelt, Bolt-On .....	1
30	102718101	Washer, Hard, M10, Zn-Ni/Blk .....	2
31	102732401	Bolt, M10 X 45, Zn-Ni (Black) .....	2
32	102763701	Cover, Center Console .....	1
33	102967901	Rivet, Removable, Tuflok 1/4" .....	4
34	103216401	Nut, Flanged, M10 x 1.5, Black .....	2
35	332	Washer, 1/4 Type A Narrow Flat .....	2
36	96742515	Bolt, M6 X 1 X 45 .....	2

**1**

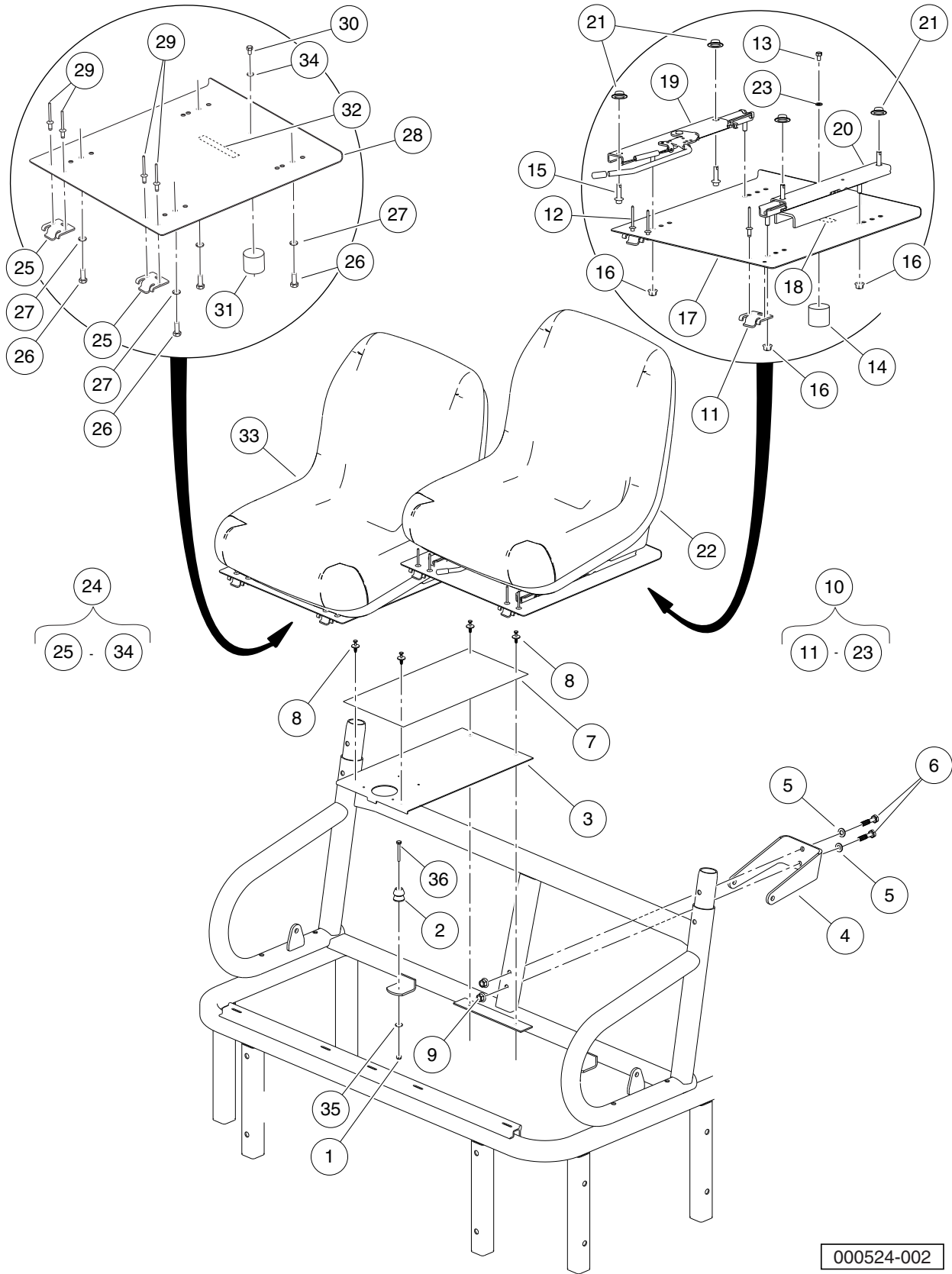
**G**

**D**

1

G

D



000524-002

# BUCKET SEATS – BLACK

ITEM	PART NO.	DESCRIPTION	QTY
		<b>1 2 3 4</b>	
1	101887601	Locknut, M6-1.00 Nylon Insert .....	2
2	102059001	Seat Holder Base .....	2
3	102442001	Pan, Center, Closeout .....	1
4	102670601	Bracket, Seatbelt, Bolt-On .....	1
5	102718101	Washer, Hard, M10, Zn-Ni/Blk .....	2
6	102732401	Bolt, M10 X 45, Zn-Ni (Black) .....	2
7	102763701	Cover, Center Console .....	1
8	102967901	Rivet, Removable, Tuflok 1/4" .....	4
9	103216401	Nut, Flanged, M10 x 1.5, Black .....	2
10	103218901	Asm, Bracket Seat, Adj, Blk (includes items 11 through 23) .....	1
11	1011652	Hinge Plate .....	2
12	102047001	Rivet, 1/4 X .438 Blind .....	4
13	102059401	Screw, 6m-1.00 X 10mm Hex Head .....	1
14	102061101	Seat Holder Cup .....	1
15	102298130	Bolt, Flange Head, M8 X 30.0 .....	4
16	102298401	Nut,m8,all Metal Lock .....	4
17	102456001	Pan, Seat, Driver Asm .....	1
18	102458901	Decal, Hot Surface Warning .....	1
19	102473501	Adjuster, Forward/Aft .....	1
20	102473601	Adjuster, Slider .....	1
21	102475901	Washer, Bell .....	4
22	103267002	Seat, Bucket, Black .....	1
23	451	Lockwasher, 1/4 Split .....	1
24	N/A	Asm, Bracket Seat, Passenger, Blk (includes items 25 through 34) .....	1
25	1011652	Hinge Plate .....	2
26	1012830	Screw, M8-125 X 22 Hex-Head .....	4
27	1013734	Lockwasher, 8mm Split .....	4
28	102023703	Pan, Seat, Passenger .....	1
29	102047001	Rivet, 1/4 X .438 Blind .....	4
30	102059401	Screw, 6m-1.00 X 10mm Hex Head .....	1
31	102061101	Seat Holder Cup .....	1
32	102458901	Decal, Hot Surface Warning .....	1
33	103267002	Seat, Bucket, Black .....	1
34	451	Lockwasher, 1/4 Split .....	1
35	332	Washer, 1/4 Type A Narrow Flat .....	2
36	96742515	Bolt, M6 X 1 X 45 .....	2

**1**

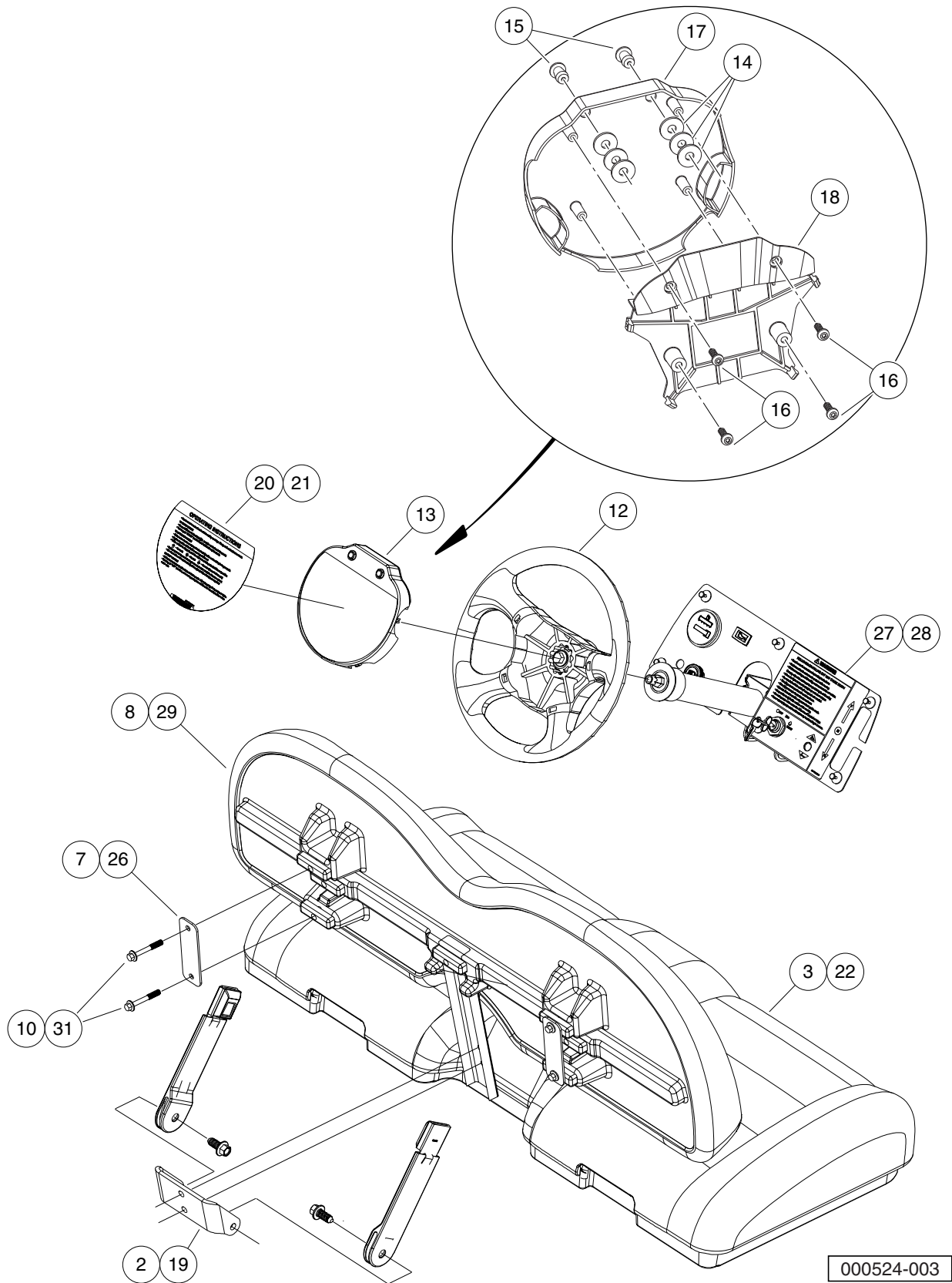
**G**

**D**

1

G

D



# BENCH SEAT CONVERSION KIT

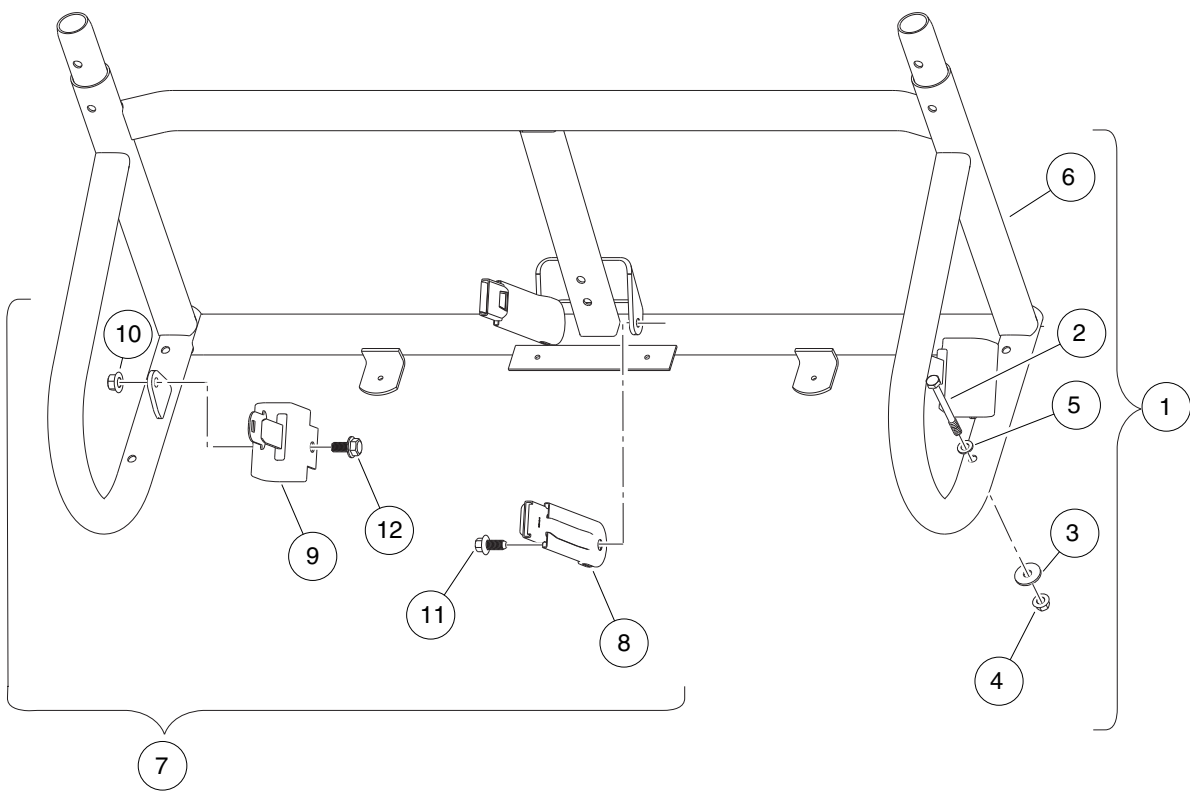
ITEM	PART NO.	DESCRIPTION	QTY
		<b>1 2 3 4</b>	
1	103183101	Kit, Bench Seat, Seat Only (includes items 2 through 10) .....	1
2	102759901	Bracket, Seat Belt, Bench .....	1
3	102879201	Asm, Seat Bottom, Bench, Gray (includes items 4 through 6) .....	1
4	1011652	Hinge Plate .....	2
5	102759601	Asm, Seat Bottom, Bench .....	1
6	103262201	Bolt Flg Blk, M8 X 25, Loctite .....	2
7	102879401	Bracket, Seat Back, AWD .....	2
8	102912301	Seat Back, Bench, Gray .....	1
9	N/A	Instructions, Bench Seat .....	1
10	103262601	Bolt Flg Blk, M8 X 55, Loctite .....	4
11	103183201	Kit, Bench Seat, Complete (includes items 12 through 31) .....	1
12	102537801	Steering Wheel, Comfort Grip, Hex .....	1
13	102540802	Center, Plate, Steering Wheel (includes items 14 through 18) .....	1
14	1011697	Washer, 5/16 Flat .....	6
15	1016967	Blind Rivet, Push Type .....	2
16	102296020	Screw, Torx Pan Hd Pt, M6 X 20 .....	4
17	N/A	Scorecard Plate, Comfort Grip .....	1
18	N/A	Scorecard Back Plate .....	1
19	102759901	Bracket, Seat Belt, Bench .....	1
20	102873901	Decal, Oper Instr, Awd Se Dsl .....	1
21	102878301	Decal, Oper Instr, Awd Se Gas .....	1
22	102879201	Asm, Seat Bottom, Bench, Gray (includes items 23 through 25) .....	1
23	1011652	Hinge Plate .....	2
24	102759601	Asm, Seat Bottom, Bench .....	1
25	103262201	Bolt Flg Blk, M8 X 25, Loctite .....	2
26	102879401	Bracket, Seat Back, AWD .....	2
27	102889001	Decal, Warning, Instrument Panel, AWD Gas .....	1
28	102889101	Decal, Warning, Instrument Panel, AWD Diesel .....	1
29	102912301	Seat Back, Bench, Gray .....	1
30	N/A	Instructions, Bench Seat .....	1
31	103262601	Bolt Flg Blk, M8 X 55, Loctite .....	4



1

G

D



000029-002

## SEAT BELTS AND LOWER ROPS

ITEM	PART NO.	DESCRIPTION	QTY
		<b>1 2 3 4</b>	
1	N/A	Instl, Rops, Lower (includes items 2 through 6) .....	1
2	102491301	Bolt, M10x1.50x100 (Black) .....	4
3	102491501	Washer Hard,m10 .....	4
4	102617201	Nut Flg M10 X 1.5 Mech Def .....	4
5	102718101	Washer, Hard, M10, Zn-Ni/Blk .....	4
6	103361701	Weldment,seat Support,hs,rops .....	1
7	N/A	Instl, Seat Belt, Restyle (includes items 8 through 12) .....	1
8	102447601	Buckle, Seat Belt with Sleeve .....	2
9	102447602	Retractor, Seat Belt .....	2
10	102620301	Ln Flg, M12 X 1.75, Md, Black .....	2
11	102671201	Screw,m12x1.75x30 Thd Form Blk .....	2
12	103245101	Bolt Flg, M12x1.75 X 25 Black .....	2

**1**

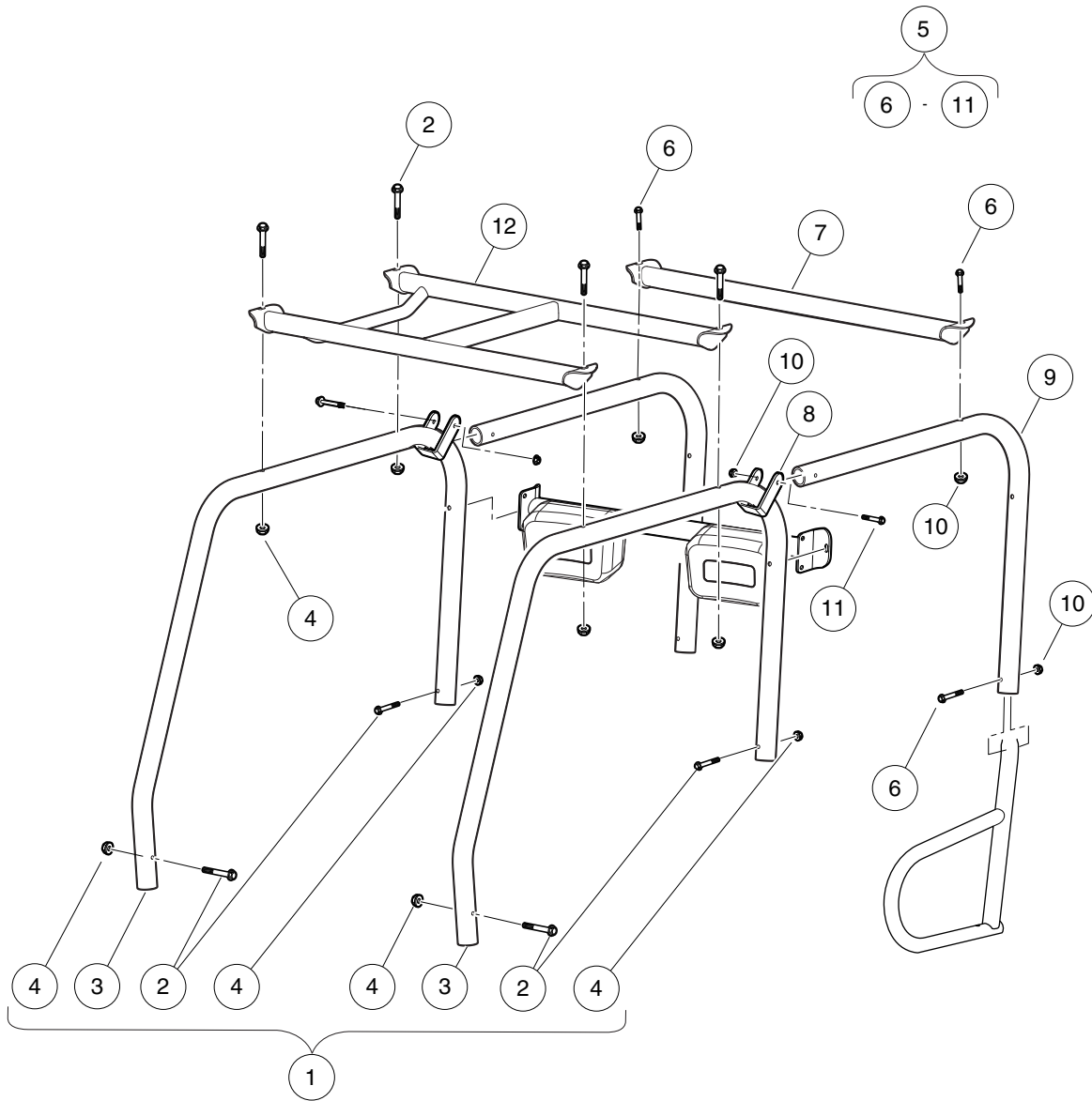
**G**

**D**

1

G

D



000029-004



# ROPS

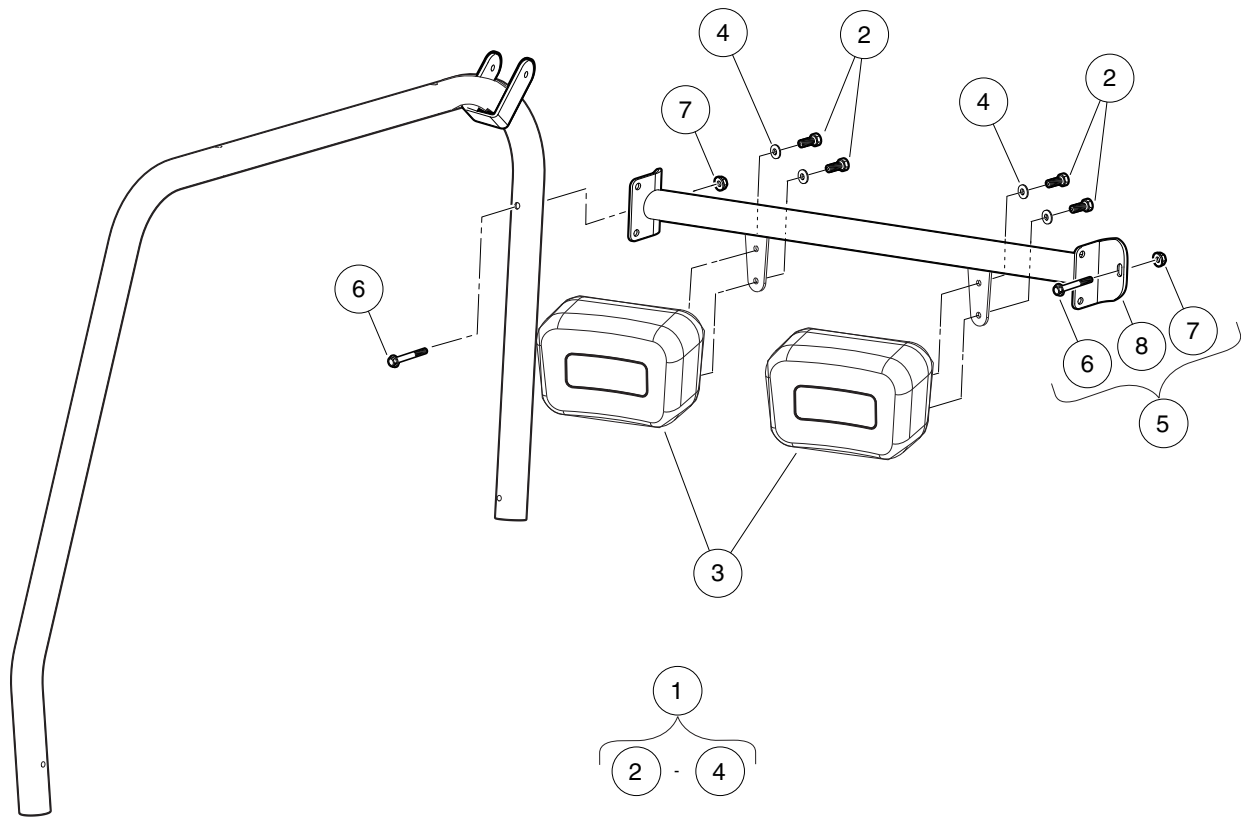
ITEM	PART NO.	DESCRIPTION	QTY
		<b>1 2 3 4</b>	
1	103215901	Kit, ROPS, Domestic (includes items 2 through 4) .....	1
2	102988701	Bolt, Flanged, M10 X 1.5 X 65 .....	8
3	103192101	Tube, Side Support Short, ROPS .....	2
4	103216401	Nut, Flanged, M10 x 1.5, Black .....	8
5	103216201	Kit, ROPS, Four Passenger (includes items 6 through 11) .....	1
6	102988701	Bolt, Flanged, M10 X 1.5 X 65 .....	4
7	103214901	Weldment, ROPS, Top, 4 Pass .....	1
8	103215001	Bracket, ROPS, Rear, 4 Pass .....	2
9	N/A	Tube, Rear, 4 Pass .....	2
10	103216401	Nut, Flanged, M10 x 1.5, Black .....	6
11	103216801	Bolt, Flanged, M10 X 1.5 X 70 .....	2
12	103225801	Asm, Top, ROPS .....	1

**1**  
**G**  
**D**

1

G

D



000029-005

# ROPS – HEAD RESTS

ITEM	PART NO.	DESCRIPTION	QTY
		<b>1 2 3 4</b>	
1	103274602	Kit, Head Restraint, Black (includes items 2 through 4) .....	1
2	102490101	Bolt, M10 X 1.5 X 20 Loctite .....	4
3	103274502	Asm, Head Restraint, Black .....	2
4	96741046	Washer, M10 Hard .....	4
5	N/A	Kit, Rear Brace, ROPS (includes items 6 through 8) .....	1
6	102988701	Bolt, Flanged, M10 X 1.5 X 65 .....	2
7	103216401	Nut, Flanged, M10 x 1.5, Black .....	2
8	103283801	Asm, Rear Brace .....	1

**1**

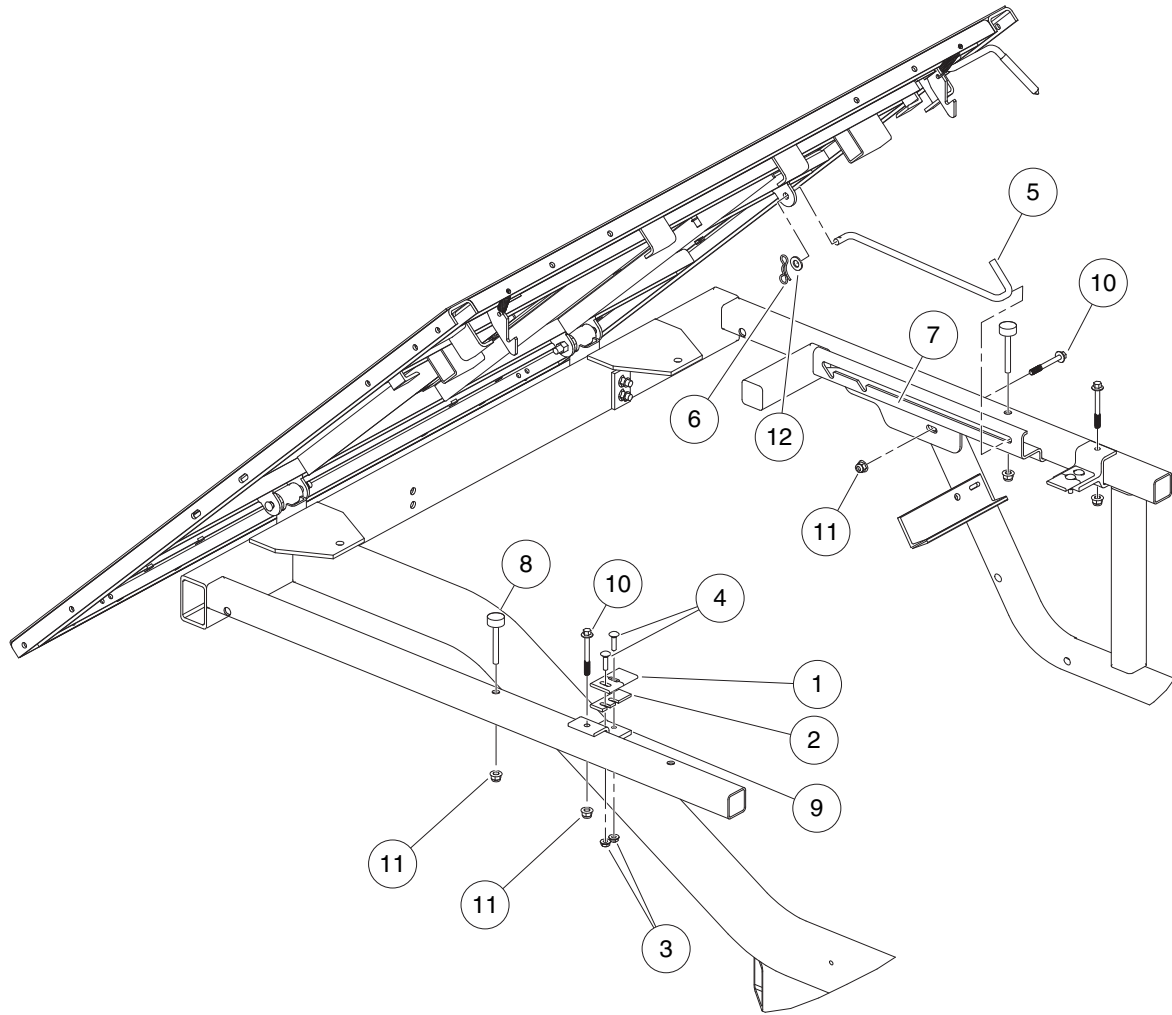
**G**

**D**

1

G

D



000036-001

# LATCH PLATE AND PROP ROD

ITEM	PART NO.	DESCRIPTION	QTY
		<b>1 2 3 4</b>	
1	1015277	Latch Plate, Tilt Bed .....	2
2	1016078	Latch Plate Shim .....	1
3	101835601	Locknut, 1/4-20 Hex Whiz .....	4
4	101958602	Bolt, Carriage, 1/4-20 X 1.0 .....	4
5	102301401	Rod, Prop .....	1
6	102323101	Pin, Bow Tie Locking .....	1
7	102418101	Track, Prop Rod .....	1
8	102426601	Bumper, Bed, Mtg, Front .....	2
9	102493801	Bracket, Latch, Bed .....	2
10	102618301	Bolt Flanged Head, M8 X 1.25 X 65 .....	3
11	102618601	Lock Nut, Flg M8 X 1.25 Nylon .....	5
12	334	Washer, 3/8 Type A Flat .....	1

**1**

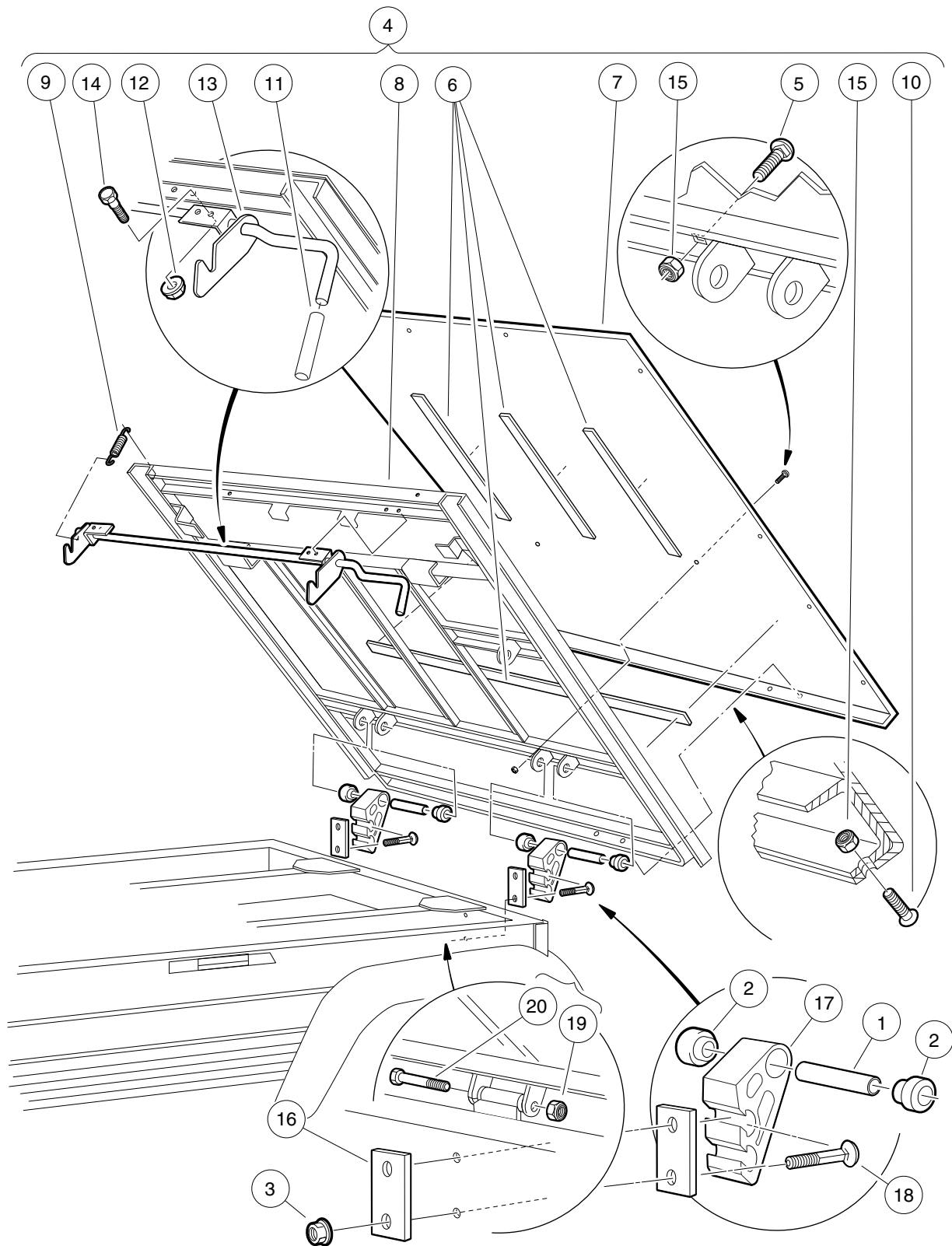
**G**

**D**

1

G

D



000037-001

# TILT BED, HINGE, AND LATCH

ITEM	PART NO.	DESCRIPTION	QTY
		1 2 3 4	
1	1012303	Bushing, Steel .....	2
2	1015583	Bushing, Urethane .....	2
3	102065901	Locknut, 3/8-16 Flanged Dimple .....	4
4	102171503	Tilt Bed Assembly (includes items 5 through 15) .....	1
5	1010435	Bolt, Carriage, 5/16-18 X 1.00 .....	4
6	1014471	Tape, Vinyl Foam 1/8" x 3/4" * .....	1
7	1015258	Plate, Floor Bed .....	1
8	N/A	Frame Assembly .....	1
9	N/A	Extension, Spring Latch .....	2
10	1015399	Screw, 5/16-18 X 0.88 Torx Truss-Head .....	4
11	1015400	Grip, Tilt Latch Hand .....	1
12	101835601	Locknut, 1/4-20 Hex Whiz .....	4
13	102426901	Ltch Weld Asm Tlt Bd .....	1
14	403	Screw, 1/4-20 X 0.625 Hex-Head Cap .....	4
15	7473	Locknut, 5/16-18 Nylon Insert .....	8
16	102614101	Plate, Back .....	2
17	103538701	Extra, Bracket, Hinge, Bed .....	2
18	103538901	3/8-16 X 3.5 Carr Blt Gr5 Zn .....	4
19	8754	Locknut, 3/8-16 Hex .....	2
20	8755	Screw, 3/8-16 X 3.375 Hex Cap .....	2
		* Note: Item not shown.	

**1**

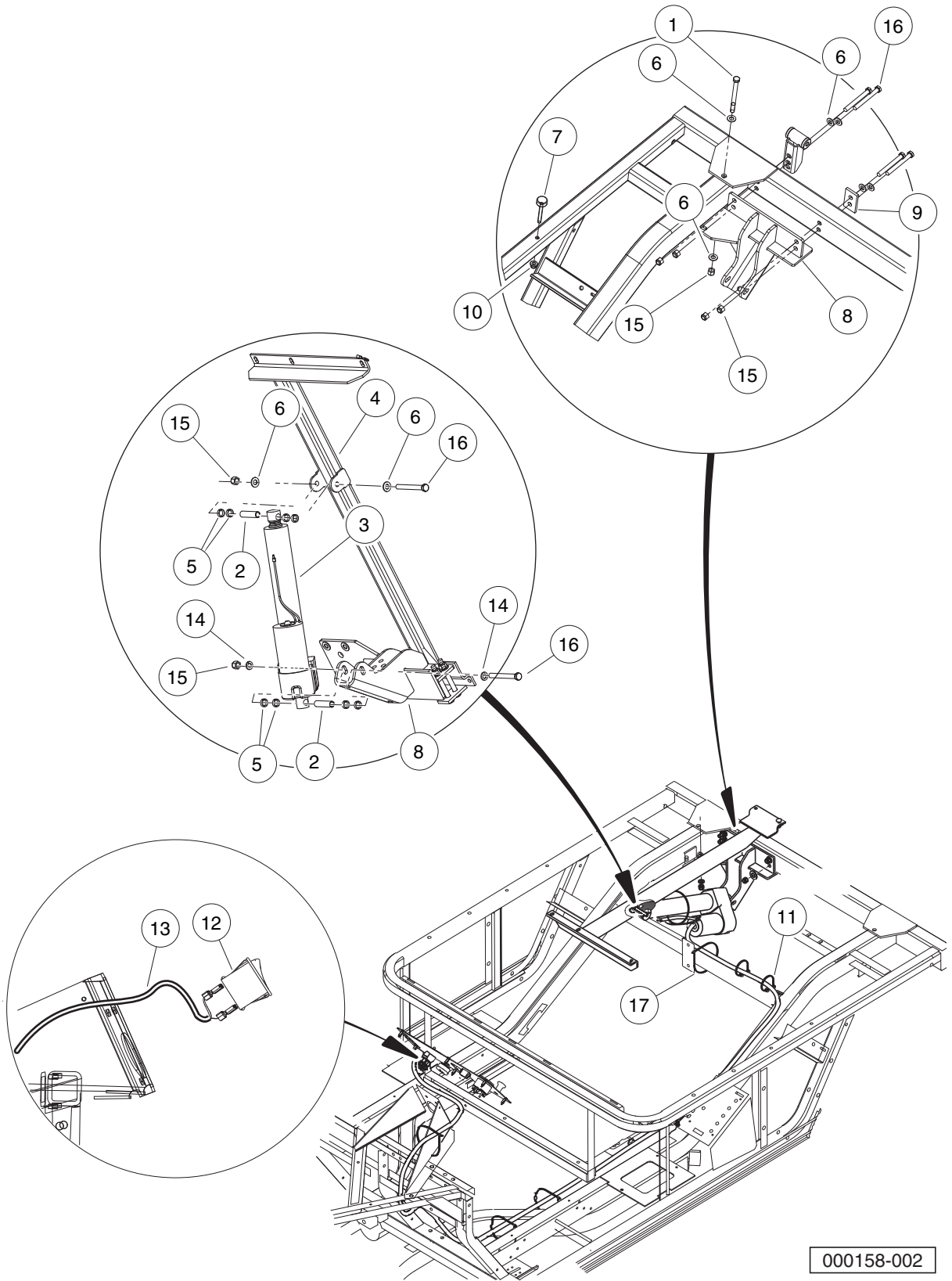
**G**

**D**

1

G

D



000158-002



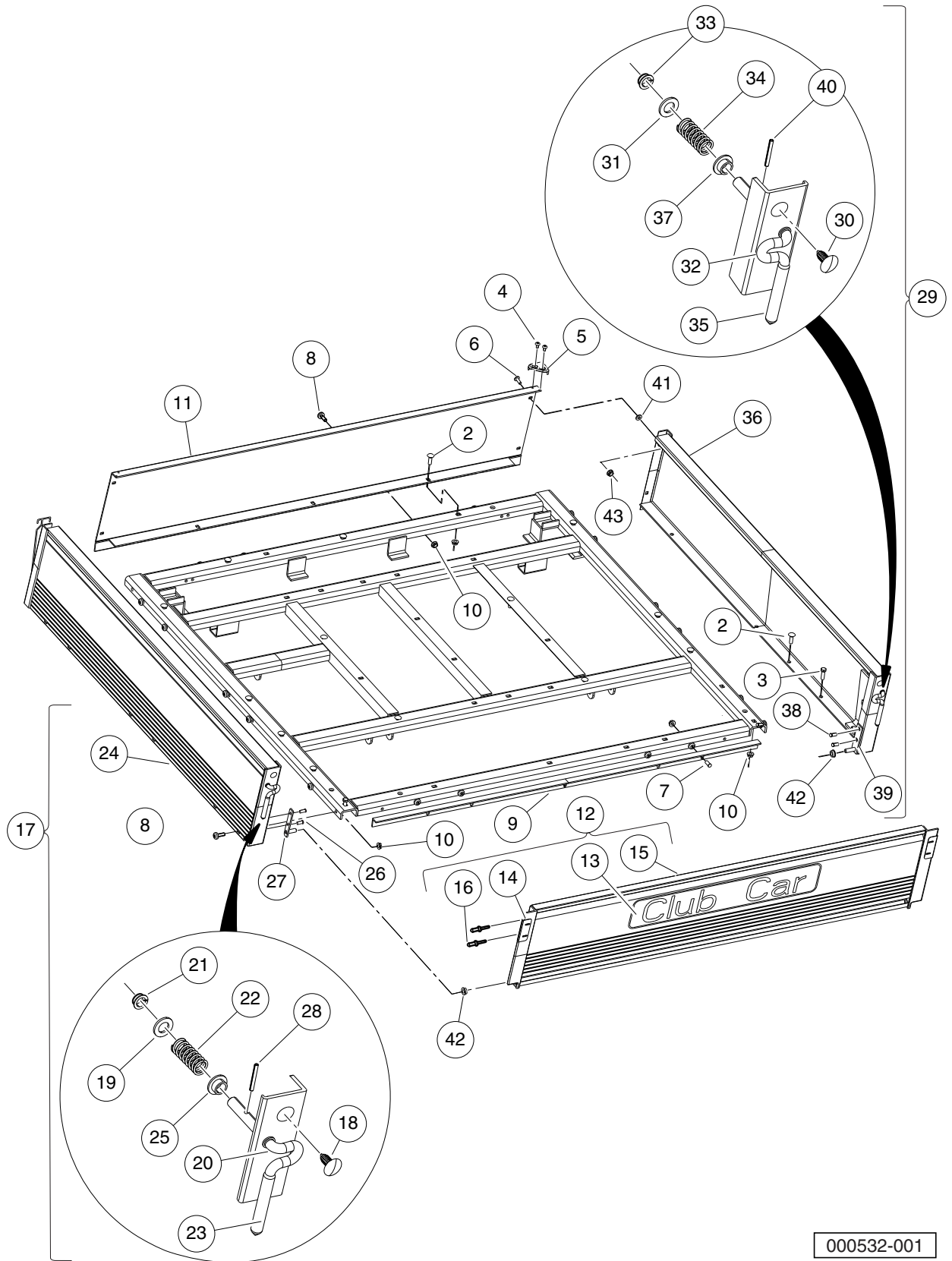
# ELECTRIC BED LIFT

ITEM	PART NO.	DESCRIPTION	QTY	
		<b>1 2 3 4</b>		<b>1</b>
1	1010200	Bolt, 3/8-16 X 4.25 Hex Head .....	1	<b>G</b>
2	1016603	Bushing Long .....	2	
3	1017162	Actuator Assembly, Electric .....	1	
4	1017167	Actuator Adapter .....	1	<b>D</b>
5	1017774	Body Spacer .....	8	
6	102066001	Washer, 3/8 Type B Hard Flat .....	8	
7	102426601	Bumper, Bed, Mtg, Front .....	2	
8	102465701	Weldment, Bracket, Actuator .....	1	
9	102614101	Plate, Back .....	1	
10	102618601	Lock Nut, Flg M8 X 1.25 Nylon .....	2	
11	102629001	Tie Wrap, 8.00" With Mount .....	2	
12	103227002	Harness, Stretch AWD Bedlift .....	1	
13	357	Lockwasher, 3/8 Split .....	2	
14	8754	Locknut, 3/8-16 Hex .....	9	
15	8755	Screw, 3/8-16 X 3.375 Hex Cap .....	6	
16	8990	Tie Wrap, 8" Nylon .....	5	

1

G

D



000532-001

# BOX BED

ITEM	PART NO.	DESCRIPTION	QTY
		<b>1 2 3 4</b>	
1	N/A	Install, Box Bed (includes items 2 through 43) .....	1
2	1010435	Bolt, Carriage, 5/16-18 X 1.00 .....	11
3	1010934	Screw, 5/16-18 X 1.00 Hex Cap .....	2
4	1014321	Screw, #10 Truss-Head Torx .....	4
5	1014387	Cap, Corner .....	2
6	1014415	Screw, 1/4-20 X 0.75 Torx Truss-Head .....	4
7	1014537	Stud, Self-Clinching Flush Head .....	2
8	1015399	Screw, 5/16-18 X 0.88 Torx Truss-Head .....	16
9	101894302	Box Bed Tailgate Angle .....	1
10	101963401	Locknut, 5/16-18 Hex Flange .....	33
11	102030101	Panel, Front .....	1
12	102030201	Tailgate Asm (includes items 13 through 16) .....	1
13	1013317	Decal, Logo, Tailgate .....	1
14	1015246	Plate, Tailgate Latch Wear .....	2
15	N/A	Tailgate Weldment .....	1
16	7973	Rivet, 3/16 X .400 Blind .....	4
17	103191401	Asm, Panel, Side, Left (includes items 18 through 28) .....	1
18	1010434	Barrel - Plastic .....	1
19	1011990	Washer, 3/8 Flat .....	1
20	1015313	Latch, Tailgate, Left-Hand .....	1
21	1015363	Bushing, Snap-In .....	1
22	1015390	Compression Spring Latch Tilt .....	1
23	1015400	Grip, Tilt Latch Hand .....	1
24	103191201	Weldment, Panel, Side, Left .....	1
25	1032	Bushing, Nylon .....	1
26	103379401	Rivet, 1/4 X 0.30, Blind .....	2
27	N/A	Asm, Tlgt, Mtg Brkt, Ca Lh .....	1
28	1231	Pin, 1/8 X 1.00 Split Roll .....	1
29	103191501	Asm, Panel, Side, Right (includes items 30 through 40) .....	1
30	1010434	Barrel - Plastic .....	1
31	1011990	Washer, 3/8 Flat .....	1
32	1015245	Latch, Tailgate, Right-Hand .....	1
33	1015363	Bushing, Snap-In .....	1
34	1015390	Compression Spring Latch Tilt .....	1
35	1015400	Grip, Tilt Latch Hand .....	1
36	103191301	Weldment, Panel, Side, Right .....	1
37	1032	Bushing, Nylon .....	1
38	103379401	Rivet, 1/4 X 0.30, Blind .....	2
39	N/A	Asm, Tlgt, Mtg Brkt, Ca Rh .....	1
40	1231	Pin, 1/8 X 1.00 Split Roll .....	1
41	332	Washer, 1/4 Type A Narrow Flat .....	4
42	7049	Bushing, Nylon .....	2
43	8233	Locknut, 1/4-20 Nylon Insert .....	4

**1**

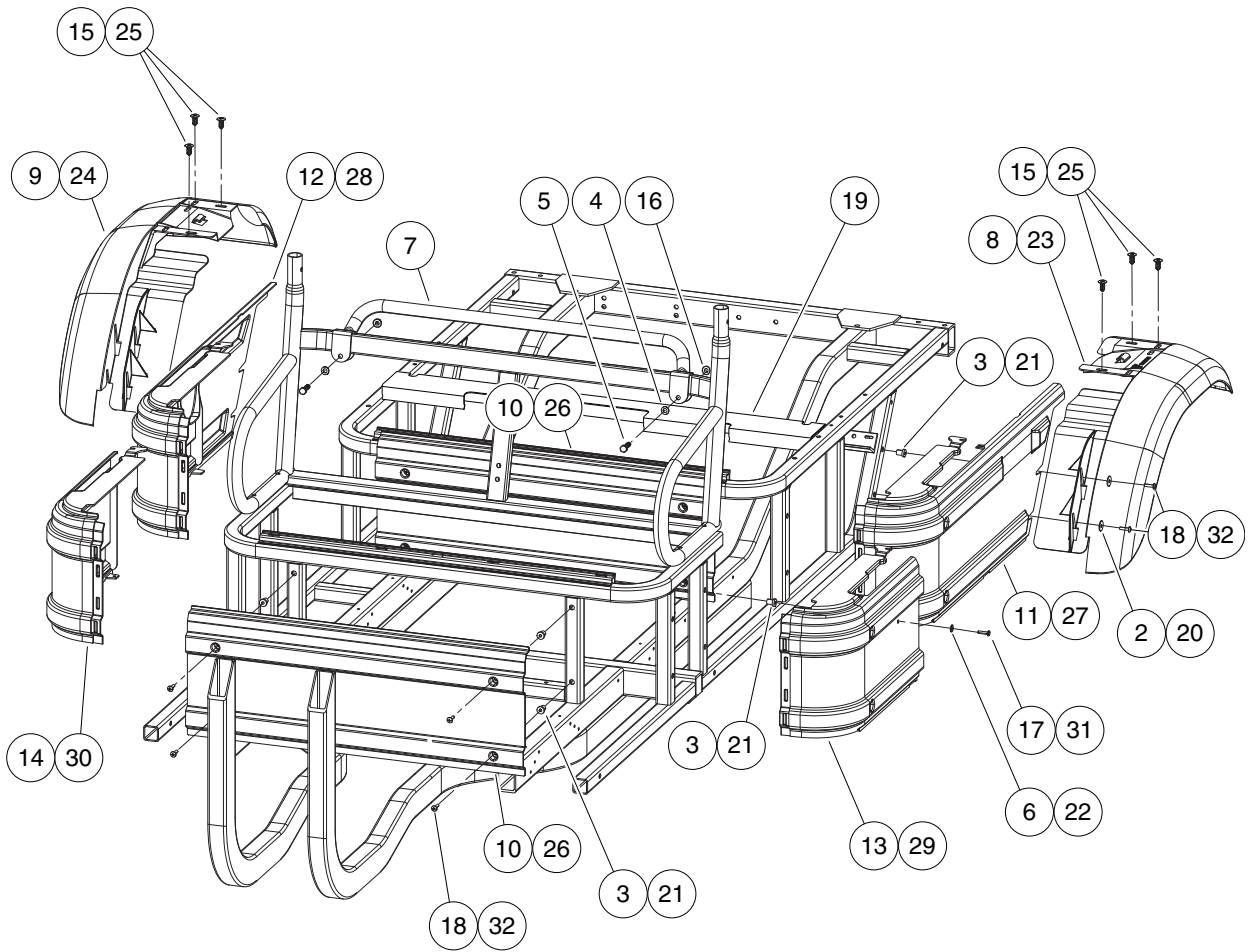
**G**

**D**

1

G

D



000518-002

## SIDE PANELS AND REAR FENDERS

ITEM	PART NO.	DESCRIPTION	QTY
		<b>1 2 3 4</b>	
1	N/A	Instl, Panels, Fenders, 4 Pass, Black (includes items 2 through 18) .....	1
2	1014306	Washer, 1/4" Type B Flat .....	4
3	102491701	Well Nut 1/4-20 .....	14
4	102718101	Washer, Hard, M10, Zn-Ni/Blk .....	2
5	102732401	Bolt, M10 X 45, Zn-Ni (Black) .....	2
6	102772201	Washer, Flat, 5/16, Black .....	2
7	102834401	Weldment, Handle, ROPS, Rear .....	1
8	102913801	Left Rear Fender (Black) .....	1
9	102913901	Right Rear Fender (Black) .....	1
10	102914001	Panel, Front, Kick (Black) .....	2
11	102914101	Panel, Side, Molded, Driver (Black) .....	1
12	102914102	Panel, Side, Molded, Passenger (Black) .....	1
13	102914104	Panel, Side, Cut, Driver (Black) .....	1
14	102914105	Panel, Side, Cut, Passenger (Black) .....	1
15	103200501	Screw, Tuflok, 10mm .....	6
16	103216401	Nut, Flanged, M10 x 1.5, Black .....	2
17	103319501	Screw, Pn Hd Blk, 1/4 - 20 X 1 .....	2
18	8251	Screw, 1/4-20 X 1.0 Truss-Head Machine .....	12
19	N/A	Instl, Panels, Fenders, 4 Pass (Realtree Camo) (includes items 20 through 32) .....	1
20	1014306	Washer, 1/4" Type B Flat .....	4
21	102491701	Well Nut 1/4-20 .....	14
22	102772201	Washer, Flat, 5/16, Black .....	2
23	102913801	Left Rear Fender (Black) .....	1
24	102913901	Right Rear Fender (Black) .....	1
25	103200501	Screw, Tuflok, 10mm .....	6
26	103289001	Panel, Front, Kick (Realtree Camo) .....	2
27	103289101	Panel, Side, Molded, Driver (Realtree Camo) .....	1
28	103289103	Panel, Side, Molded, Passenger (Realtree Camo) .....	1
29	103289107	Panel, Cut, Driver (Realtree Camo) .....	1
30	103289109	Panel, Cut, Passenger (Realtree Camo) .....	1
31	103319501	Screw, Pn Hd Blk, 1/4 - 20 X 1 .....	2
32	8251	Screw, 1/4-20 X 1.0 Truss-Head Machine .....	12
33	103331201	Closeout, Extrusion .....	1

**1**

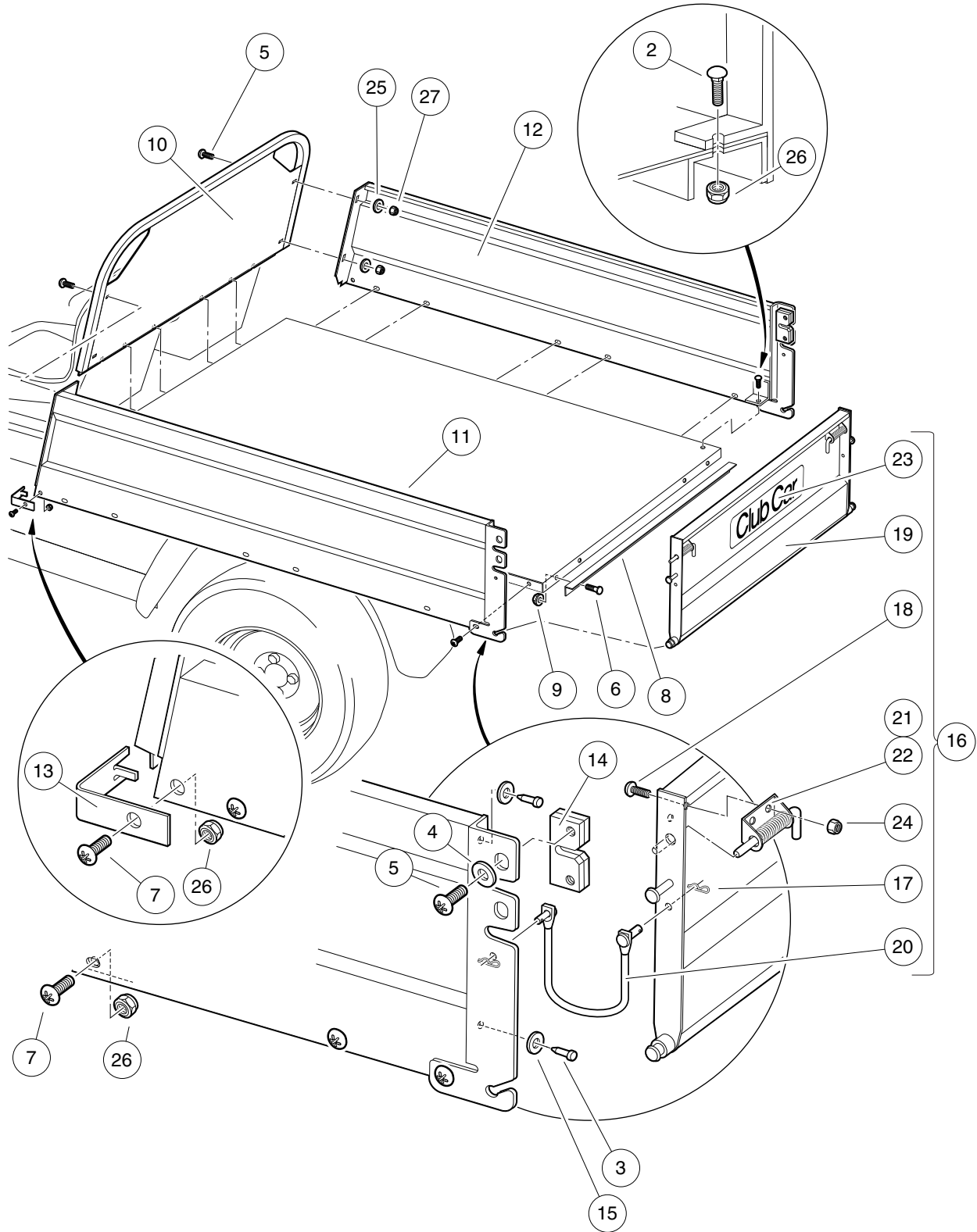
**G**

**D**

1

G

D



000038-001

# CARGO BOX (STEEL)

ITEM	PART NO.	DESCRIPTION	QTY
		<b>1 2 3 4</b>	
1	N/A	Instl, Steel Box, XRT (includes items 2 through 27) .....	1
2	1010435	Bolt, Carriage, 5/16-18 X 1.00 .....	13
3	1010436	Bumper, Rubber .....	4
4	1014306	Washer, 1/4" Type B Flat .....	4
5	1014415	Screw, 1/4-20 X 0.75 Torx Truss-Head .....	8
6	1014537	Stud, Self-Clinching Flush Head .....	4
7	1015399	Screw, 5/16-18 X 0.88 Torx Truss-Head .....	18
8	101894304	Box Bed Tailgate Angle .....	1
9	101963401	Locknut, 5/16-18 Hex Flange .....	4
10	102221301	Front Panel Weldment .....	1
11	102221401	Left Panel Weldment .....	1
12	102221501	Right Panel Weldment .....	1
13	102221701	Front Corner Cap .....	2
14	102222001	Slam Latch .....	2
15	102239901	Washer, Rubber, 3/8 .....	4
16	102614401	Assembly, Tailgate (includes items 17 through 24) .....	1
17	1013366	Hair Pin Clip .....	4
18	1014415	Screw, 1/4-20 X 0.75 Torx Truss-Head .....	4
19	N/A	Tailgate, Weldment .....	1
20	102221801	Tether Assembly .....	2
21	102222101	Spring Latch Left .....	1
22	102222201	Spring Latch Right .....	1
23	102673201	Decal, Club Car Tailgate .....	1
24	8233	Locknut, 1/4-20 Nylon Insert .....	4
25	332	Washer, 1/4 Type A Narrow Flat .....	4
26	7473	Locknut, 5/16-18 Nylon Insert .....	31
27	8233	Locknut, 1/4-20 Nylon Insert .....	4

**1**

**G**

**D**

**1**

**G**

**D**



# WHEELS AND TIRES

---

2

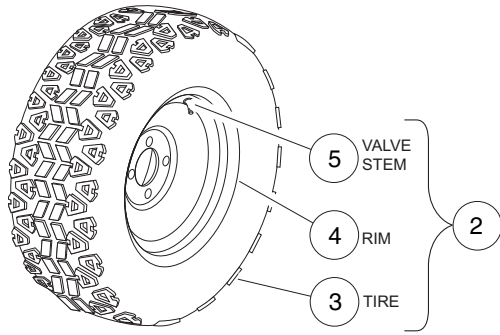
G

D

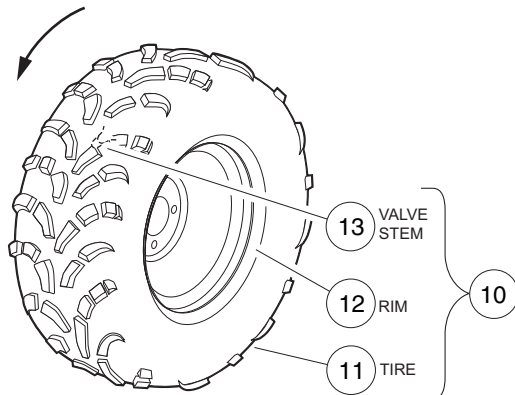
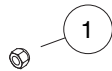
2

G

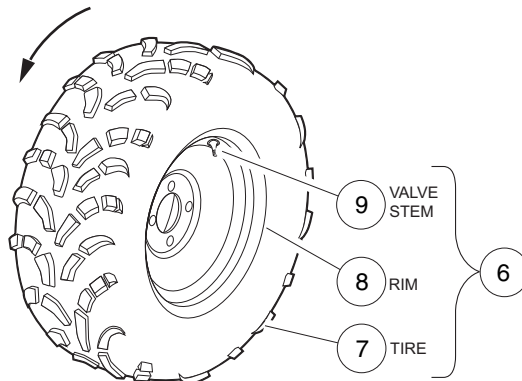
D



FOR DRIVERS OR PASSENGERS SIDE



FOR PASSENGERS SIDE ONLY



FOR DRIVERS SIDE ONLY

000506-001

# WHEELS AND TIRES

ITEM	PART NO.	DESCRIPTION	QTY
		<b>1 2 3 4</b>	
1	102736901	Nut, Lug, 1/2-20 SAE J2283 .....	16
2	102943807	Black Tire Asm HDAT 10.5 In (includes items 3 through 5) .....	4
3	102943101	Heavy Duty All Terrain Tire, 25" .....	1
4	103234503	Wheel, All trail, 10 Window, Black .....	1
5	7310	Valve Stem .....	1
6	N/A	Black Tire Asm Mud 11.0 In Left-Hand (includes items 7 through 9) .....	2
7	102945701	Mud Tire, 25" .....	1
8	103234503	Wheel, All trail, 10 Window, Black .....	1
9	7310	Valve Stem .....	1
10	N/A	Black Tire Asm Mud 11.0 In Right-Hand (includes items 11 through 13) .....	2
11	102945701	Mud Tire, 25" .....	1
12	103234503	Wheel, All trail, 10 Window, Black .....	1
13	7310	Valve Stem .....	1

2

G

D

**2**

**G**

**D**

# DECALS

---

3

G

D

3

G

D

**OPERATING INSTRUCTIONS**

- Read owner's manual and vehicle safety warnings. Study and understand controls.

**TO START ENGINE**

- Place shift lever in NEUTRAL (N) and press brake pedal.
- Turn key to START and hold until engine starts.

**Diesel Vehicles Only:**

- If required, turn key to PREHEAT and hold for 10-15 seconds.

**TO OPERATE VEHICLE**

- Ensure wheels are turned in desired direction and path is clear.
- With vehicle stopped and engine at idle, select vehicle direction.

↑ - Forward    N - Neutral    ↓ - Reverse (Buzzer will sound)

- Release park brake and slowly press accelerator pedal to increase speed.
- All-wheel drive will automatically drive appropriate wheel(s).

**TO STOP VEHICLE**

- Release accelerator pedal and push brake pedal.

**BEFORE LEAVING VEHICLE**

- Turn key to OFF and remove key.
- Place shift lever in NEUTRAL (N).
- Firmly set park brake.

CCI 102284301

**WARNING**

**ROLLOVER OR FALLING OFF MAY CAUSE DEATH**

- Read owner's manual and operating instructions.
- Fasten seat belts and remain seated while moving.
- Children requiring a child safety seat must not ride on vehicle. Comply with state and local laws pertaining to child safety.
- Drive slowly in turns and straight up and down slopes.
- Do not start vehicle until all occupants are seated.
- Two (2) persons per bench seat maximum.
- One (1) person per bucket seat maximum.
- Operate from driver side only and not on public roads.
- Keep entire body inside vehicle while moving.
- Do not operate while under the influence of alcohol or drugs.
- Never attempt jumps and avoid extreme braking in reverse.

CCI 102284401

**WARNING**

**YOUNG DRIVERS INCREASE CHANCE OF DEATH**

- Young drivers may not be able to control vehicle.
- No drivers younger than 16 years old.
- Do not leave children unattended on vehicle.

CCI 10249401

**WARNING**

- Do not modify or remove Roll-over Protective Structure (ROPS).
- Replace ROPS if damaged. Do not attempt repair.
- Use seat belts during operation. Do not jump from vehicle.
- Keep away from drop-offs, steep slopes, and unstable surfaces.

CCI 102961201

**NOTICE**

**MAXIMUM TONGUE WEIGHT - 150 lbs.**

CCI 1011553

**WARNING**

**FALLING OFF COULD RESULT IN SEVERE INJURY OR DEATH**

- Fasten seat belt and remain seated while moving.
- Keep entire body inside vehicle at all times.
- Two (2) persons per bench seat maximum.
- One (1) person per bucket seat maximum.
- Do not leave children unattended on vehicle at any time.
- Never stand in front of or behind vehicle.

CCI 10288201-01

**WARNING**

**CRUSH AREA**

**STAY CLEAR**

CCI 101609401

**WARNING**

**Crush area. Can cause severe injury. Stay clear when closing bed.**

CCI 103495901

	<p><b>WARNING</b></p> <p><b>RIDING IN CARGO BED CAN CAUSE SEVERE INJURY OR DEATH.</b></p> <ul style="list-style-type: none"> <li>• Do not ride in cargo bed.</li> </ul>	<p><b>VEHICLE LOADING</b></p> <ul style="list-style-type: none"> <li>• Read owner's manual and warnings on dash.</li> <li>• Maximum gross vehicle weight: 3350 lb. (1520 kg)</li> <li>• Maximum cargo load: 800 lb. (363 kg)</li> <li>- Includes cargo bed load and gross trailer weight.</li> <li>- Maximum cargo load is reduced by the weight of optional equipment.</li> <li>• Maximum trailer hitch tongue weight: 150 lb. force (667 N).</li> </ul>	<ul style="list-style-type: none"> <li>• <b>PREVENT VEHICLE ROLL-OVER.</b></li> <li>- Place cargo forward in the cargo bed and distribute evenly side to side. Secure load.</li> <li>- On uneven or steep terrain reduce speed and load. Avoid stopping on or backing down steep hills.</li> <li>- Avoid top-heavy loads. See owner's manual.</li> </ul>
	<p>CCI 103210501</p>		

000515-001

## SAFETY DECALS – CA 295 SE AND XRT 1550 SE VEHICLES

ITEM	PART NO.	DESCRIPTION	QTY
		1 2 3 4	
1	1011553	Decal, Trailer Hitch .....	1
2	101609401	Decal, Crush Area Warning .....	1
3	102459301	Decal, Bed Crush Area Warning .....	1
4	102459401	Decal, Young Driver Warning .....	1
5	102884301	Decal, Operating Instr, AWD .....	1
6	102884401	Decal, Warning, Rollover .....	1
7	102889201	Decal, Warning, Passenger .....	1
8	102961201	Decal, Warning, AWD ROPS .....	1
9	103210501	Decal, Load, Vehicle, 3350 Lbs .....	1

**3**

**G**

**D**

3  
G

D

**WARNING**

**DIESEL FUEL EXPLOSION / FIRE.**

- Can cause severe injury or death.
- No smoking, sparks, or open flame.
- Stop engine, allow to cool before refueling.

CCI 102459201

**WARNING**

**GASOLINE EXPLOSION / FIRE.**

- Can cause severe injury or death.
- No smoking, sparks, or open flame.
- Stop engine, allow to cool before refueling.
- Turn fuel valve (—) on during operation. (→) off during storage or transport.

CCI 10157701

**WARNING**

**Rotating Parts**

CCI 102234001

**WARNING**

**CAN CAUSE SEVERE INJURY**  
Rotating parts. KEEP CLEAR.

CCI 102460201

**WARNING**

**CAN CAUSE SEVERE INJURY**  
**HOT manifold**  
KEEP CLEAR

CCI 102459001

**WARNING**

**CAN CAUSE SEVERE BURNS**  
Hot Surface

CCI 102458901

**WARNING**

**WINCH CABLE FRACTURE COULD RESULT IN SERIOUS INJURY OR DEATH.**

- Do not use winch while persons are seated on the vehicle.
- Use remote operation switch for winch control.
- Stand to the side and away from the vehicle to operate winch.
- Read winch operator manual before operating winch.

102231801

**WARNING**

**Negative frame ground. Can cause severe injury. Do not contact positive (+) battery post or cable to frame. Disconnect negative (-) battery cable first.**

CCI 102459101

**WARNING**

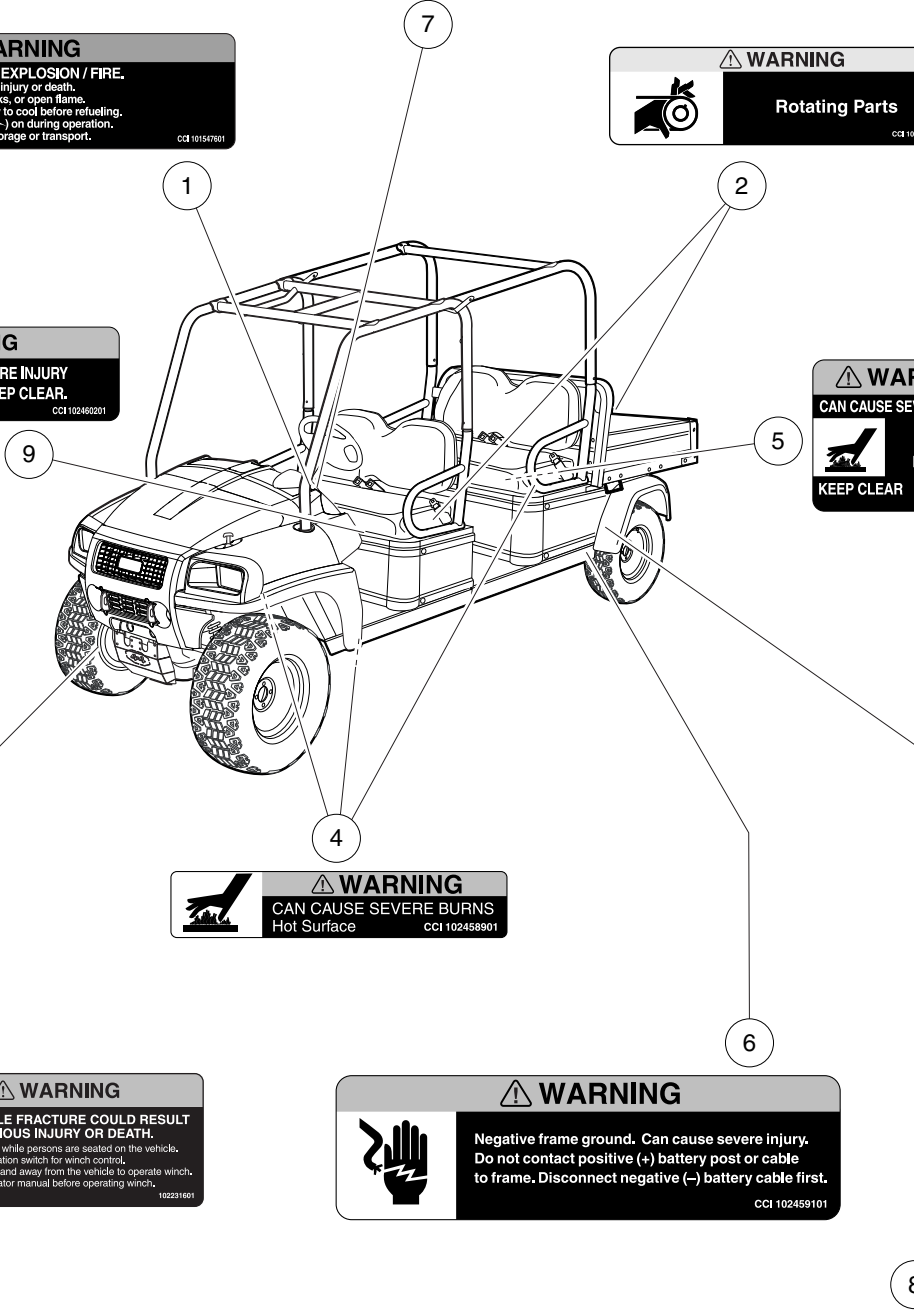
**CAN CAUSE SEVERE INJURY**  
Rotating parts, KEEP CLEAR.

**WARNING**

**CAN CAUSE SEVERE INJURY**  
Hot manifold and muffler, KEEP CLEAR.

CCI 102459501

000516-001





## SAFETY DECALS – CA 295 SE AND XRT 1550 SE VEHICLES, CONTINUED

ITEM	PART NO.	DESCRIPTION	QTY
		1 2 3 4	
1	101547601	Decal, Gasoline Explosion/Fire Warning .....	1
2	102224001	Decal, Rotating Parts Warning .....	2
3	102231601	Decal, Winch Cable Fracture Warning .....	1
4	102458901	Decal, Hot Surface Warning .....	1
5	102459001	Decal, Hot Manifold Warning .....	1
6	102459101	Decal, Frame Ground Warning .....	1
7	102459201	Decal, Diesel Explosion/Fire Warning .....	1
8	102459501	Decal, Rotating Parts and Hot Exhaust Warning .....	1
9	102460201	Decal, Rotating Parts Warning .....	1

**3**

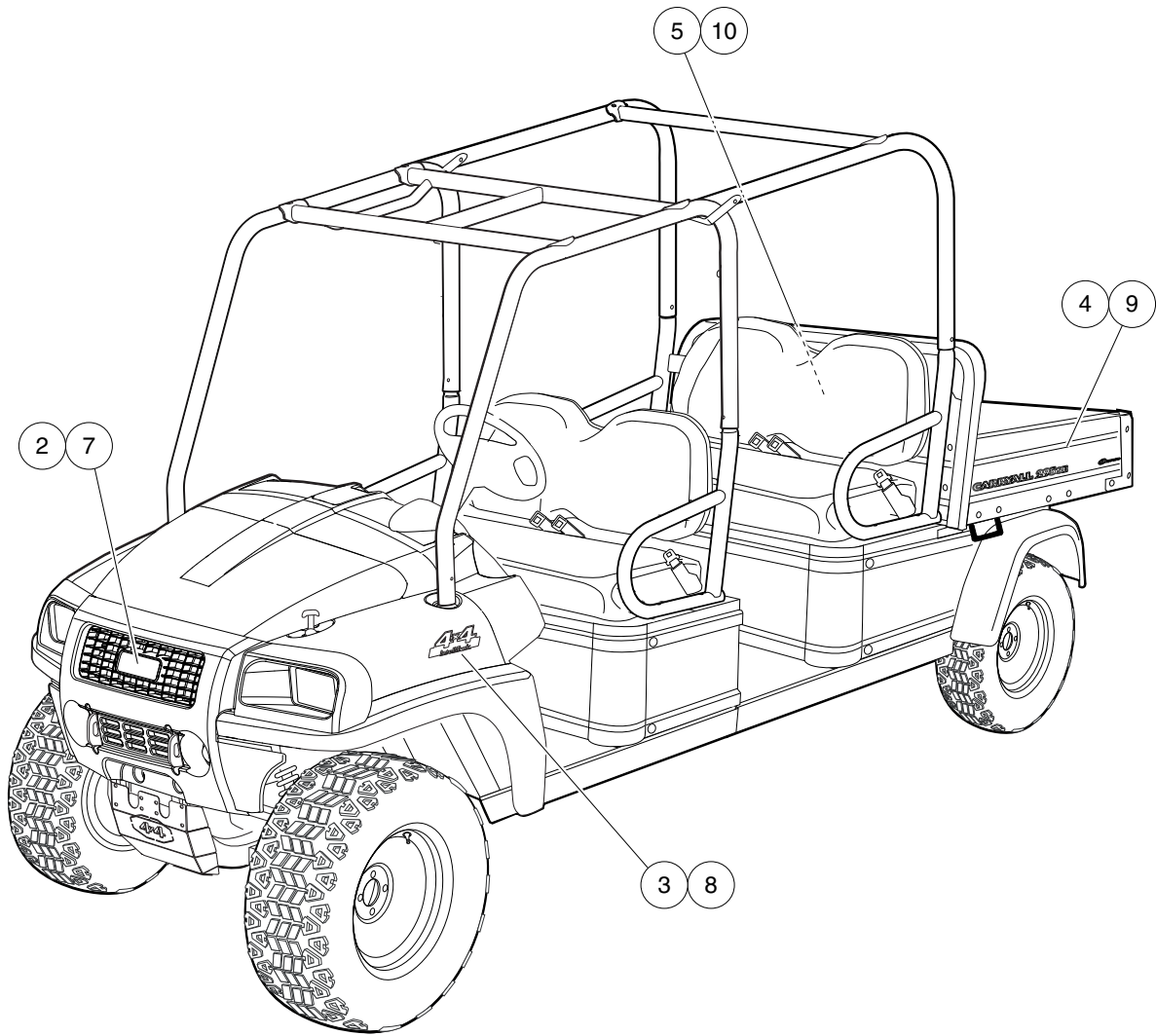
**G**

**D**

3

G

D



000547-001

## BADGING DECALS – CA 295 SE VEHICLES

ITEM	PART NO.	DESCRIPTION	QTY
		<b>1 2 3 4</b>	
1	N/A	Instl, Decal, Bed, CA 295 SE, Dk Gray (includes items 2 through 5) .....	1
2	102883601	Decal, Nameplate, CCI, Front .....	1
3	103234201	Decal, Badge, 4x4 .....	2
4	103240814	Decal, Ds, CA 295 SE, Dk Gray .....	1
5	103240914	Decal, Ps, CA 295 SE, Dk Gray .....	1
6	N/A	Instl, Decal, CA 295 SE, Stl, Ntrl (includes items 7 through 10) .....	1
7	102883601	Decal, Nameplate, CCI, Front .....	1
8	103234201	Decal, Badge, 4x4 .....	2
9	103240817	Decal, Ds, CA 295 SE, Ntrl .....	1
10	103240917	Decal, Ps, CA 295 SE, Ntrl .....	1

**3**

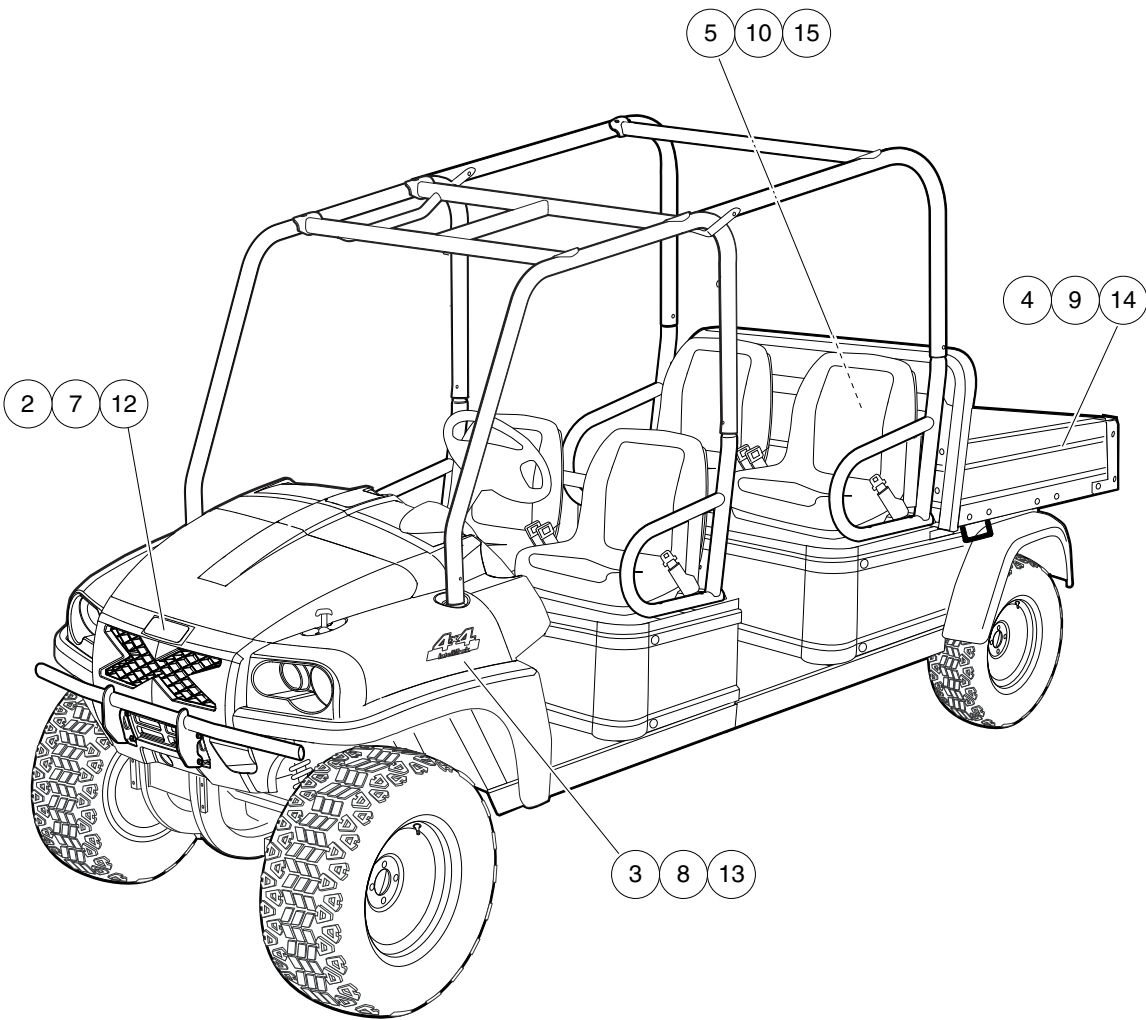
**G**

**D**

3

G

D



000547-002

## BADGING DECALS – XRT 1550 SE VEHICLES

ITEM	PART NO.	DESCRIPTION	QTY
		<b>1 2 3 4</b>	
1	N/A	Instl, Decal, Bed, XRT 1550 SE, Dk Green (includes items 2 through 5) .....	1
2	102883601	Decal, Nameplate, CCI, Front .....	1
3	103234201	Decal, Badge, 4x4 .....	2
4	103241010	Decal, Ds, XRT 1550 SE, Dk Green .....	1
5	103241110	Decal, PS, XRT 1550 SE, Dk Green .....	1
6	N/A	Instl, Decal, Bed, XRT 1550 SE, Red (includes items 7 through 10) .....	1
7	102883601	Decal, Nameplate, CCI, Front .....	1
8	103234201	Decal, Badge, 4x4 .....	2
9	103241015	Decal, Ds, XRT 1550 SE, Red .....	1
10	103241115	Decal, Ps, XRT 1550 SE, Red .....	1
11	N/A	Instl, Decal, Bed, XRT 1550 SE, Ntrl (includes items 12 through 15) .....	1
12	102883601	Decal, Nameplate, CCI, Front .....	1
13	103234201	Decal, Badge, 4x4 .....	2
14	103241017	Decal, Ds, XRT 1550 SE, Ntrl .....	1
15	103241117	Decal, Ps, XRT 1550 SE, Ntrl .....	1

**3**

**G**

**D**

3

G

D

# BRAKE SYSTEMS

---

4

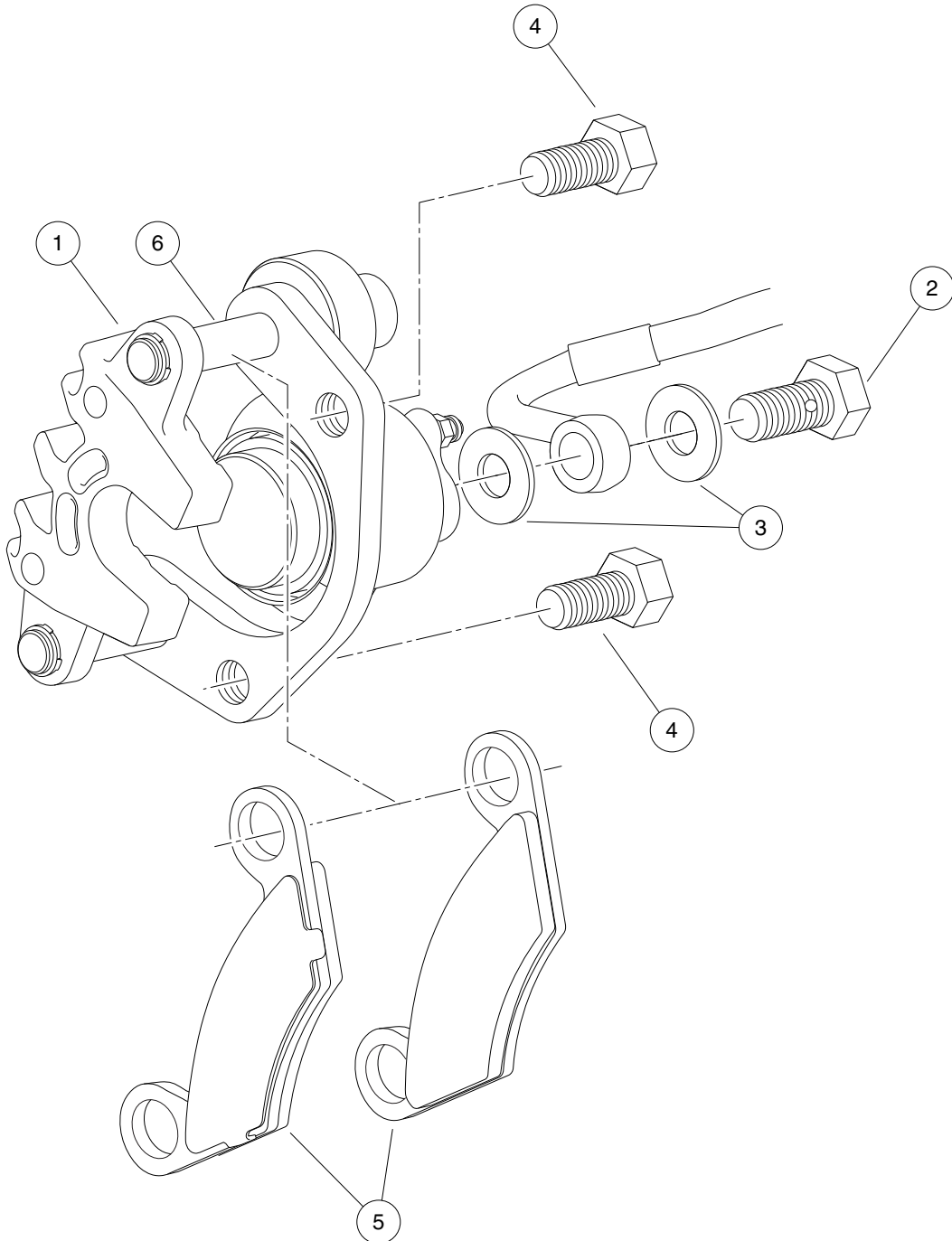
G

D

4

G

D



000067-001



# FRONT BRAKE ASSEMBLY

ITEM	PART NO.	DESCRIPTION	QTY
		<b>1 2 3 4</b>	
1	102367601	Brake Caliper, Front, with Brake Pads .....	2
2	102488001	Bolt, Banjo, M10x1x19 .....	2
3	102491601	Washer, Copper, M10 Crush .....	4
4	102493301	Bolt Flange Head, 3/8-24x.750 with Loctite .....	4
5	102714001	Service Kit, Brake Pad (4 Pads) .....	1
6	103418801	Pin, Slide, 7/16 .....	2

**4**

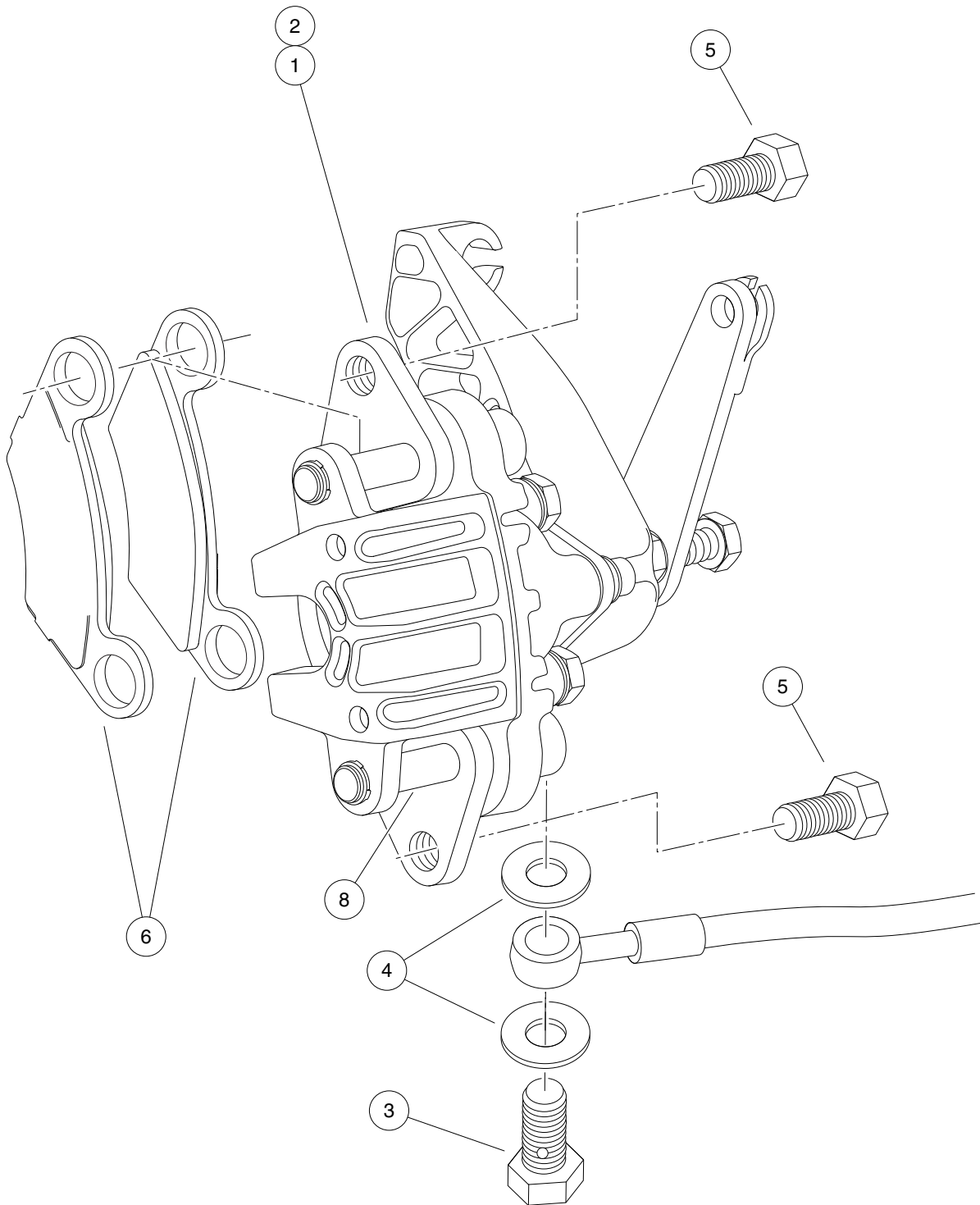
**G**

**D**

4

G

D



000068-001

## REAR BRAKE ASSEMBLY

ITEM	PART NO.	DESCRIPTION	QTY
		<b>1 2 3 4</b>	
1	102399201	Caliper, Brake, Hydro-Mechanical, LH .....	1
2	102399202	Caliper, Brake, Hydro-Mechanical, RH .....	1
3	102488001	Bolt, Banjo, M10x1x19 .....	2
4	102491601	Washer, Copper, M10 Crush .....	4
5	102493301	Bolt Flange Head, 3/8-24x.750 with Loctite .....	4
6	102714001	Service Kit, Brake Pad (4 Pads) .....	1
7	103418701	Spring, Brake Caliper, Return .....	1
8	103418801	Pin, Slide, 7/16 .....	2

**4**

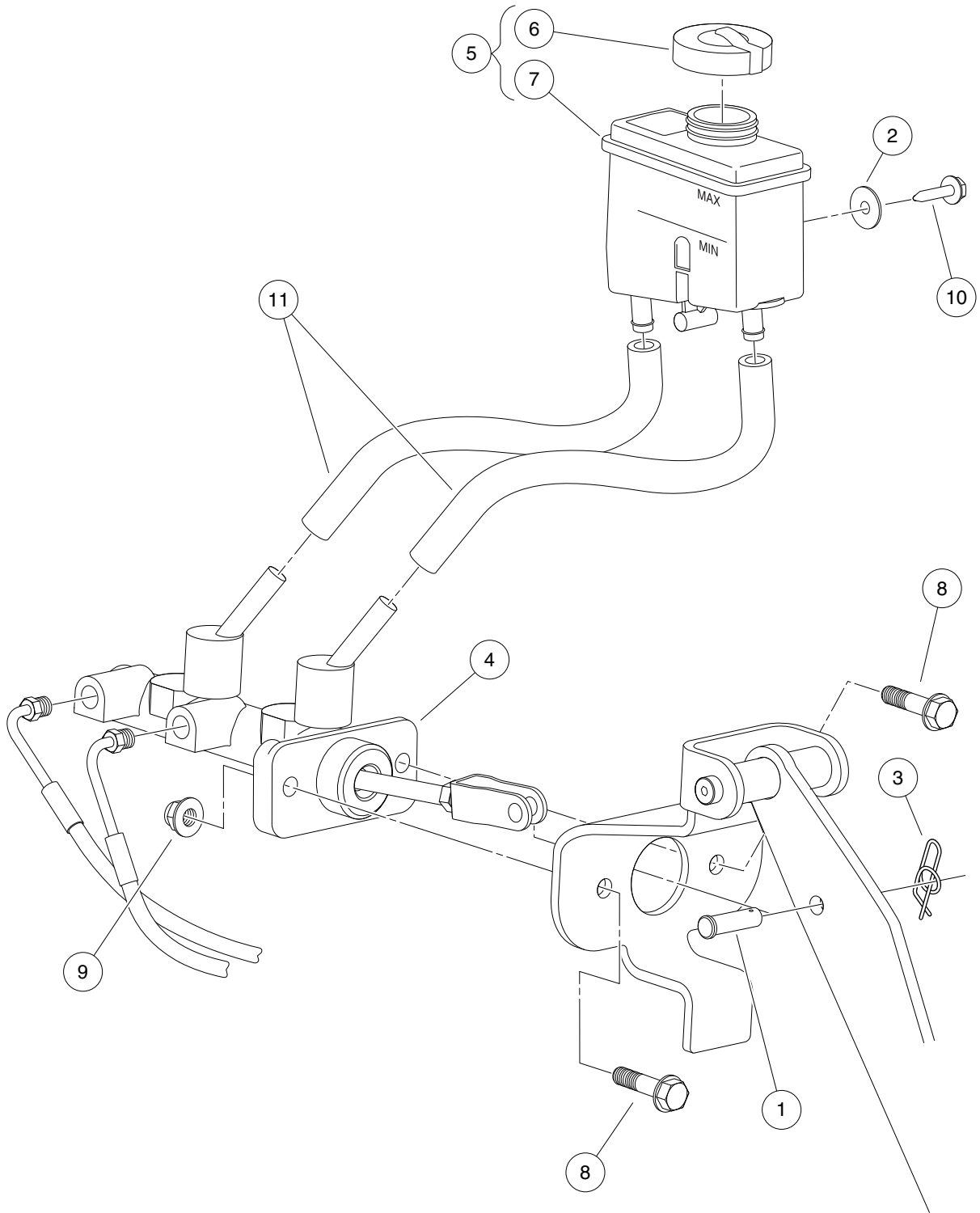
**G**

**D**

4

G

D



000069-002

# MASTER CYLINDER WITH REMOTE RESERVOIR

ITEM	PART NO.	DESCRIPTION	QTY
		1 2 3 4	
1	101082903	Clevis Pin, 5/16 X 1 .....	1
2	1014306	Washer, 1/4" Type B Flat .....	1
3	102176901	Pin, Rue .....	1
4	102402801	Cylinder, Master, Tandem .....	1
5	102402901	Assembly, Reservoir, Remote (includes items 6 and 7) .....	1
6	102051401	Filler Cap Asm .....	1
7	N/A	Reservoir, Brake Fluid, Without Cap .....	1
8	102618401	Bolt Flanged Head, M8 X 1.25 X 35 .....	2
9	102618601	Lock Nut, Flg M8 X 1.25 Nylon .....	2
10	103218213	Screw, #10x3.50 Ab Thd, Hex Hd .....	1
11	103293201	Hose, Reservoir, Brake Fluid .....	2

**4**

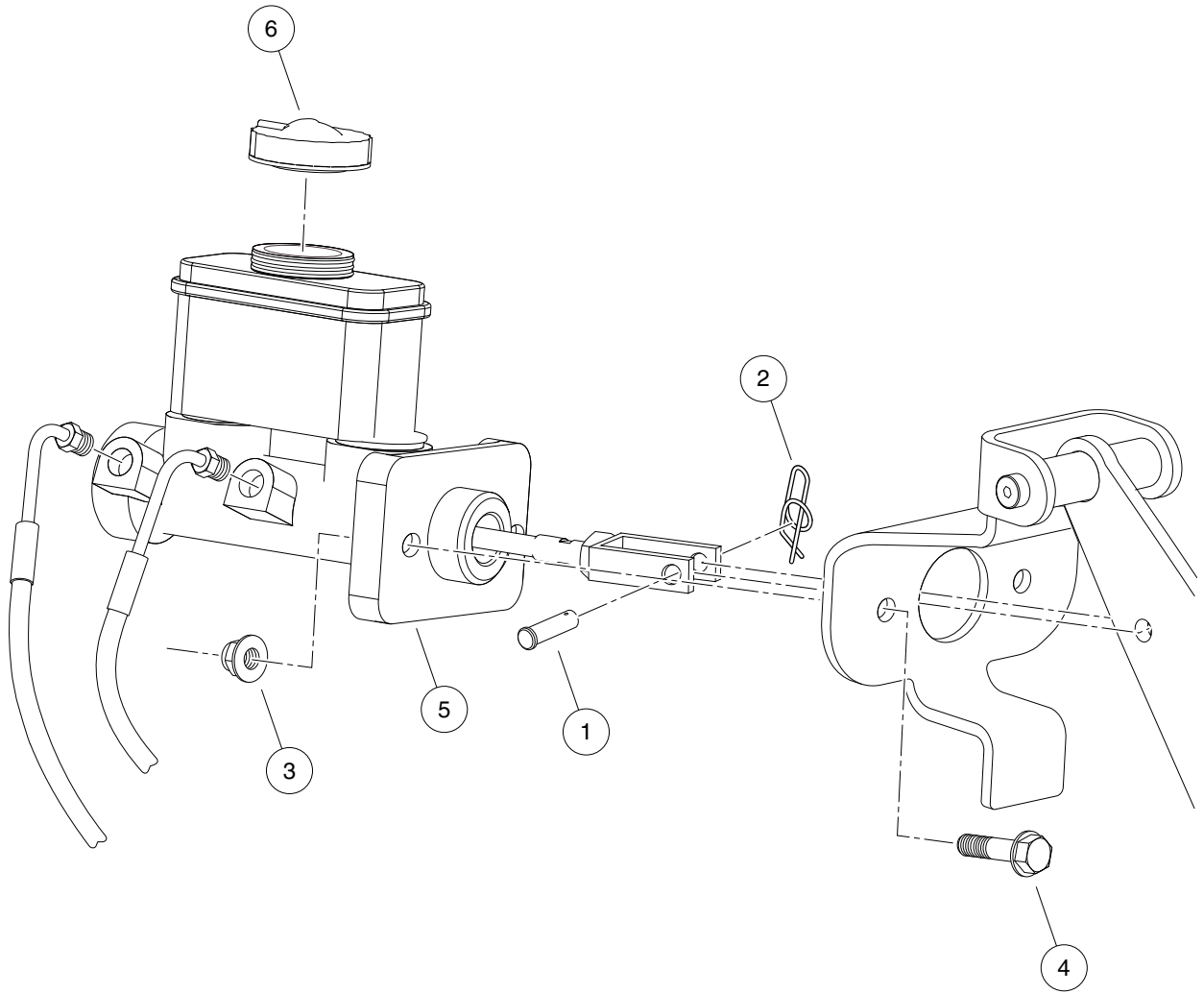
**G**

**D**

**4**  
**G**



**D**



000792-001

# MASTER CYLINDER WITH INTEGRAL RESERVOIR

ITEM	PART NO.	DESCRIPTION	QTY
		<b>1 2 3 4</b>	
1	101082903	Clevis Pin, 5/16 X 1 .....	1
2	102176901	Pin, Rue .....	1
3	102298401	Nut,m8,all Metal Lock .....	2
4	102618401	Bolt Flanged Head, M8 X 1.25 X 35 .....	2
5	103376101	Cylinder, Master, Integral Res .....	1
6	103380701	Filler Cap Asm Integral Res .....	1

**4**

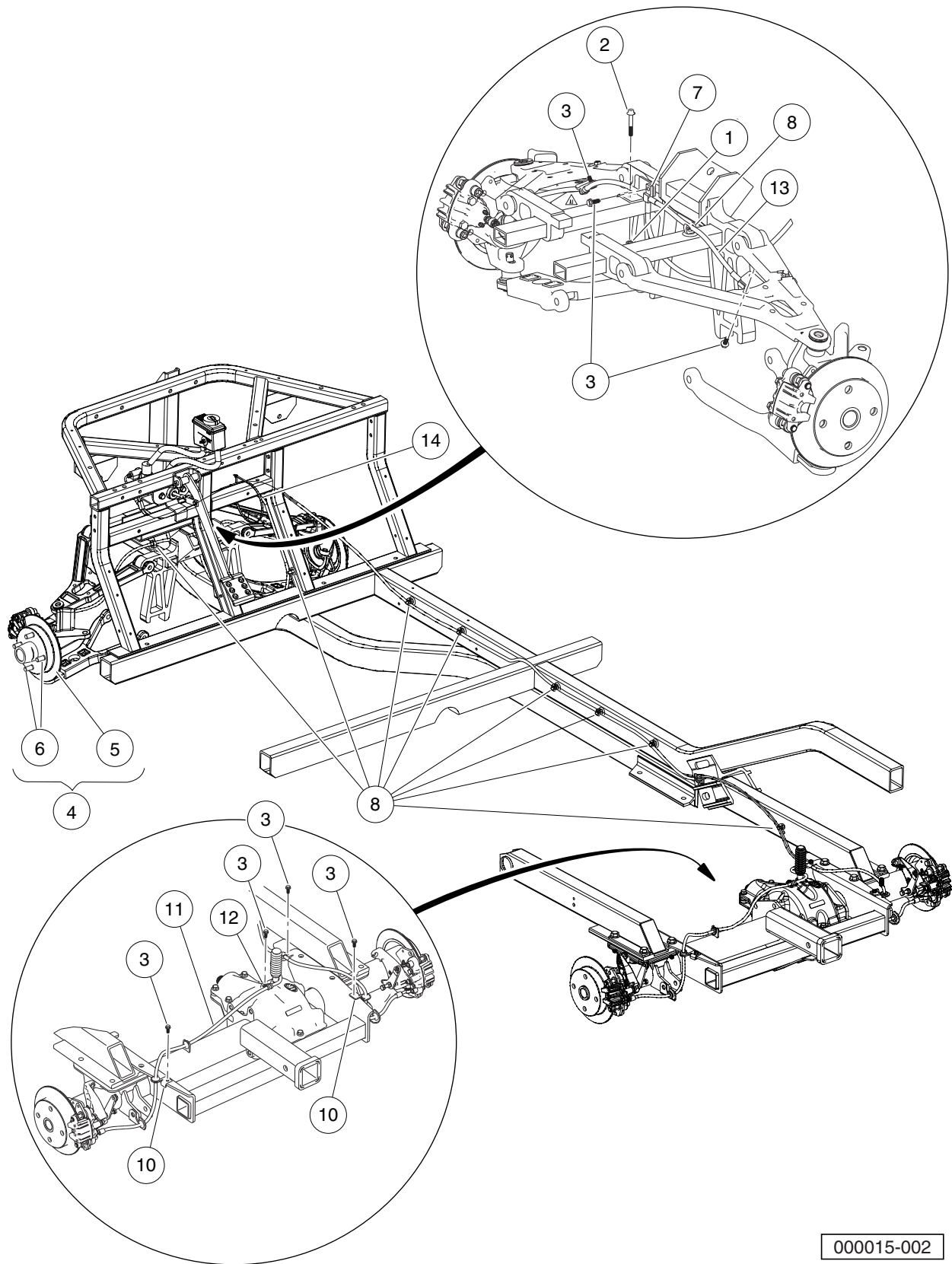
**G**

**D**

4

G

D



000015-002



# HYDRAULIC BRAKE LINES AND CLIPS

ITEM	PART NO.	DESCRIPTION	QTY
		<b>1 2 3 4</b>	
1	101887601	Locknut, M6-1.00 Nylon Insert .....	2
2	102296140	Bolt, Flanged Head, M6x1.0x40 .....	1
3	102296716	Screw, M6 X 16 Tt Hx Fl Hd .....	8
4	102376603	Assy, Rotor, Brake, Front, Wt (includes items 5 and 6) .....	2
5	N/A	Rotor, Brake, Front, Wt .....	1
6	102475801	Stud, Wheel Lug .....	4
7	102474301	Bracket, Tee, Brakeline .....	1
8	102475701	Clip, Brake Line .....	8
9	102541465	Bolt, M 6 X 1.0 X 65 Hex, Flange, Head, Black .....	1
10	102689001	Bracket, Line, Hydraulic .....	2
11	102767001	Assembly, Brakeline, Rear, Lng (includes item 12) .....	1
12	102410603	P-Clamp, Insulated .312 In .....	1
13	103174301	Brakeline, Front, Assembly .....	1
14	8639	Tie Wrap, 11" Nylon .....	1

4

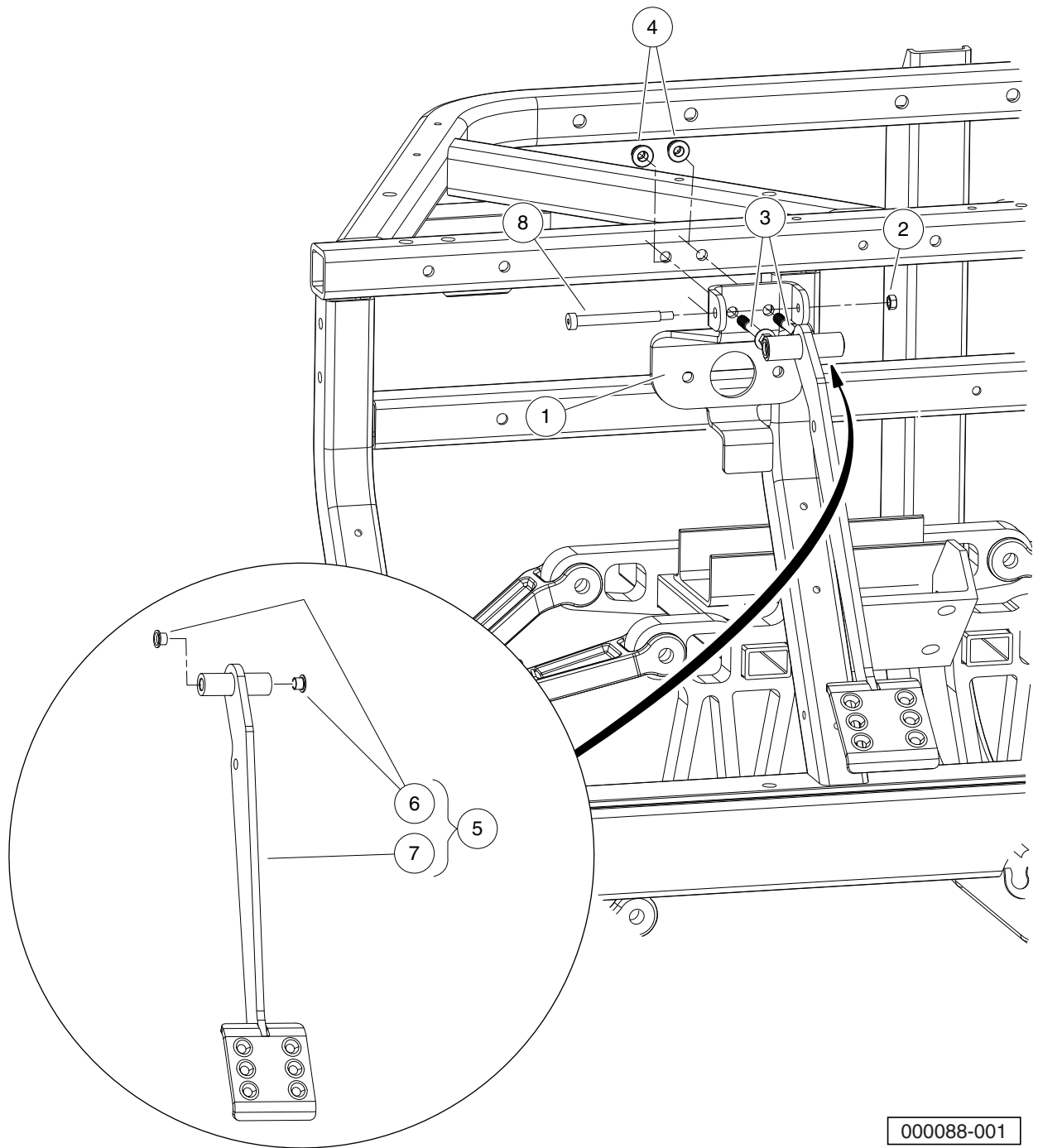
G

D

4

G

D



000088-001

# BRAKE PEDAL ASSEMBLY

ITEM	PART NO.	DESCRIPTION	QTY
		1 2 3 4	
1	102380601	Bracket, Pedal, Brake .....	1
2	102618101	Nut M6x1 Mech Def Center .....	1
3	102618301	Bolt Flanged Head, M8 X 1.25 X 65 .....	2
4	102618601	Lock Nut, Flg M8 X 1.25 Nylon .....	2
5	N/A	Asm, Pedal, Brake, Hung (includes items 6 and 7) .....	1
6	102442901	Bushing, Greaseless .....	2
7	102626201	Weldment, Pedal, Brake, Hung .....	1
8	103273101	Bolt, Shoulder, M8 X 70, Hc .....	1

**4**

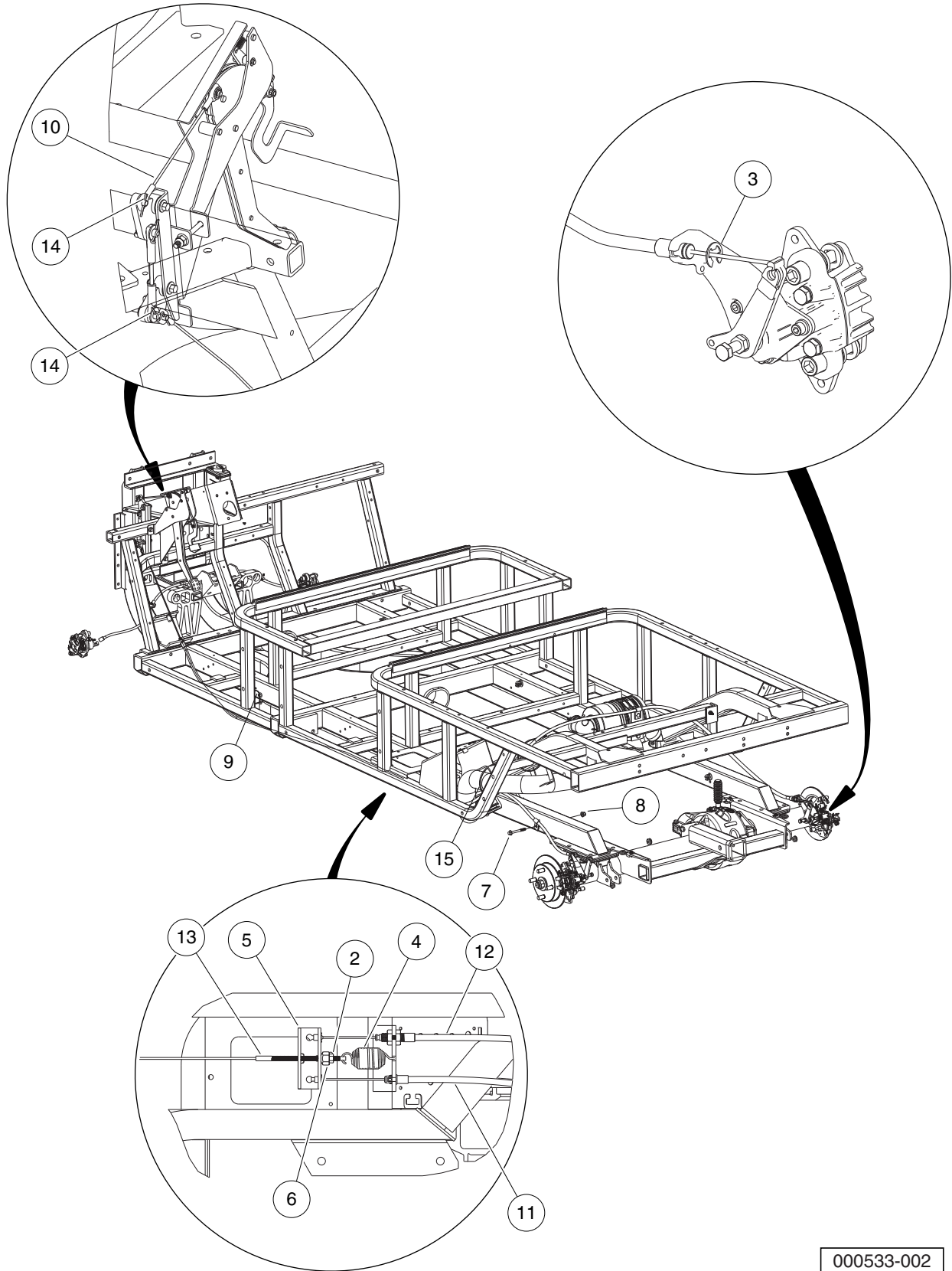
**G**

**D**

4

G

D



000533-002

# PARK BRAKE SYSTEM

ITEM	PART NO.	DESCRIPTION	QTY
		<b>1 2 3 4</b>	
1	N/A	Instl, Park, Brake, Util, 4pas (includes items 2 through 15) .....	1
2	1010521	Nut, 5/16-24 Hex .....	1
3	1011779	E-Clip, 1/2 .....	2
4	1013531	Spring, Brake Return .....	1
5	101990802	Equalizer Bracket .....	1
6	102052801	Nut, 5/16-24 Hex Cone .....	1
7	102618301	Bolt Flanged Head, M8 X 1.25 X 65 .....	1
8	102618601	Lock Nut, Flg M8 X 1.25 Nylon .....	1
9	102629001	Tie Wrap, 8.00" With Mount .....	1
10	102712601	Cable, Crank, Bell, Front .....	1
11	102763301	Cable, Noncoated, Pbrake, Left .....	1
12	102763401	Cable, Noncoated, Pbrake, Right .....	1
13	103218501	Cable, Crank, Bell, Main, Long .....	1
14	1035	Cotter Pin, 3/32 x 1 .....	2
15	8639	Tie Wrap, 11" Nylon .....	2

4

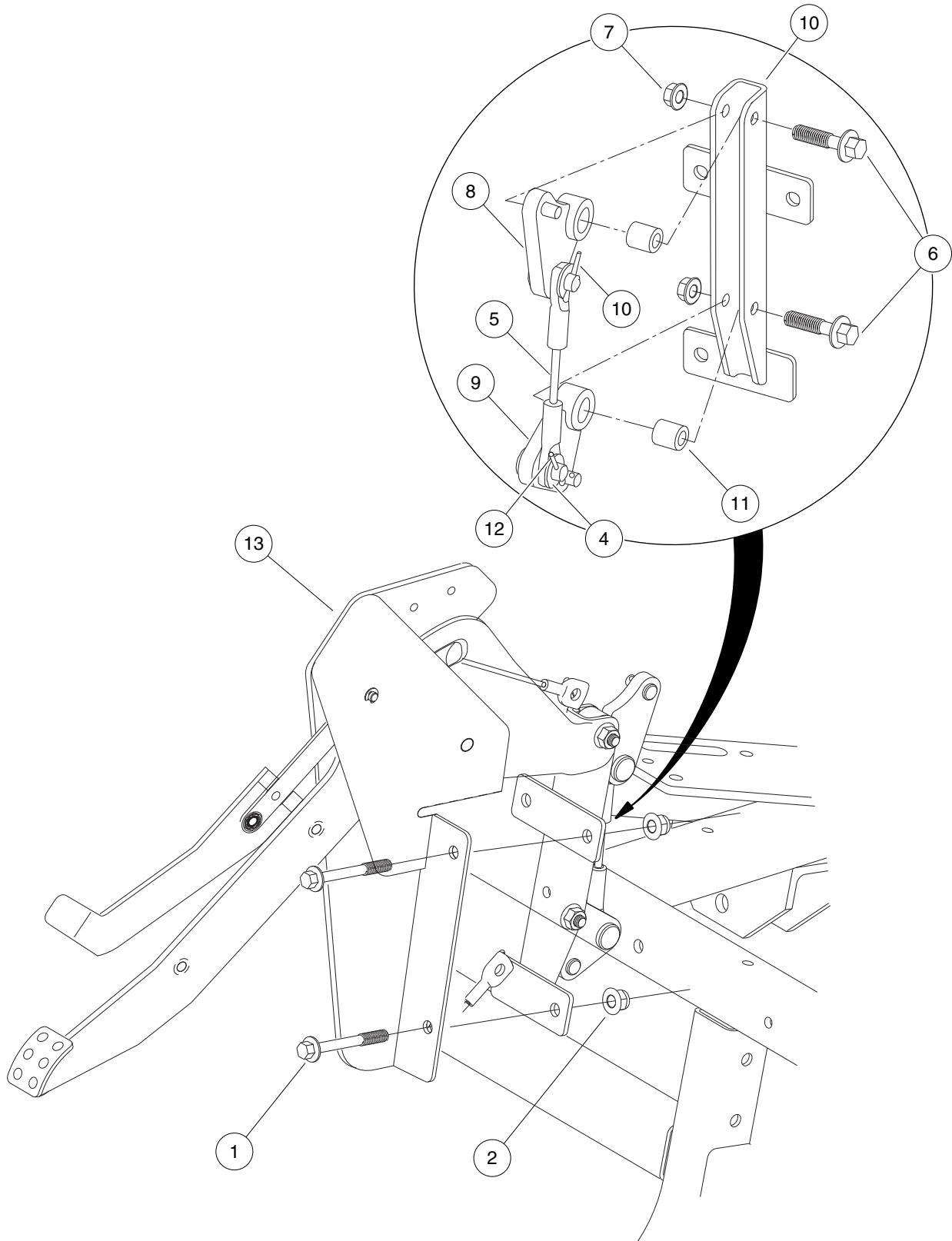
G

D

4

G

D



000086-002

# PARK BRAKE PEDAL ASSEMBLY

ITEM	PART NO.	DESCRIPTION	QTY
		<b>1 2 3 4</b>	
1	102618301	Bolt Flanged Head, M8 X 1.25 X 65 .....	3
2	102618601	Lock Nut, Flg M8 X 1.25 Nylon .....	3
3	102751501	Asm, Sub, Bracket, Park Brake (includes items 4 through 12) .....	1
4	102323501	Washer, Flat, 3/8, Blk Fin .....	2
5	102716001	Cable, Crank, Bell .....	1
6	102741501	Bolt Flg, M8x1.25 X 35, Gr10.9 .....	2
7	102741601	Nut Flg M8 X 1.25 Gr 10 .....	2
8	102751301	Asm, Bellcrank, Upper .....	1
9	102751401	Asm, Bellcrank, Lower .....	1
10	103305001	Brkt, Bellcrank, Prk Brk, Awd .....	1
11	103305101	Spacer, Pivot, Park Brk, Awd .....	2
12	1035	Cotter Pin, 3/32 x 1 .....	2
13	103505401	Asm, Pedal, Park Brake .....	1

**4**

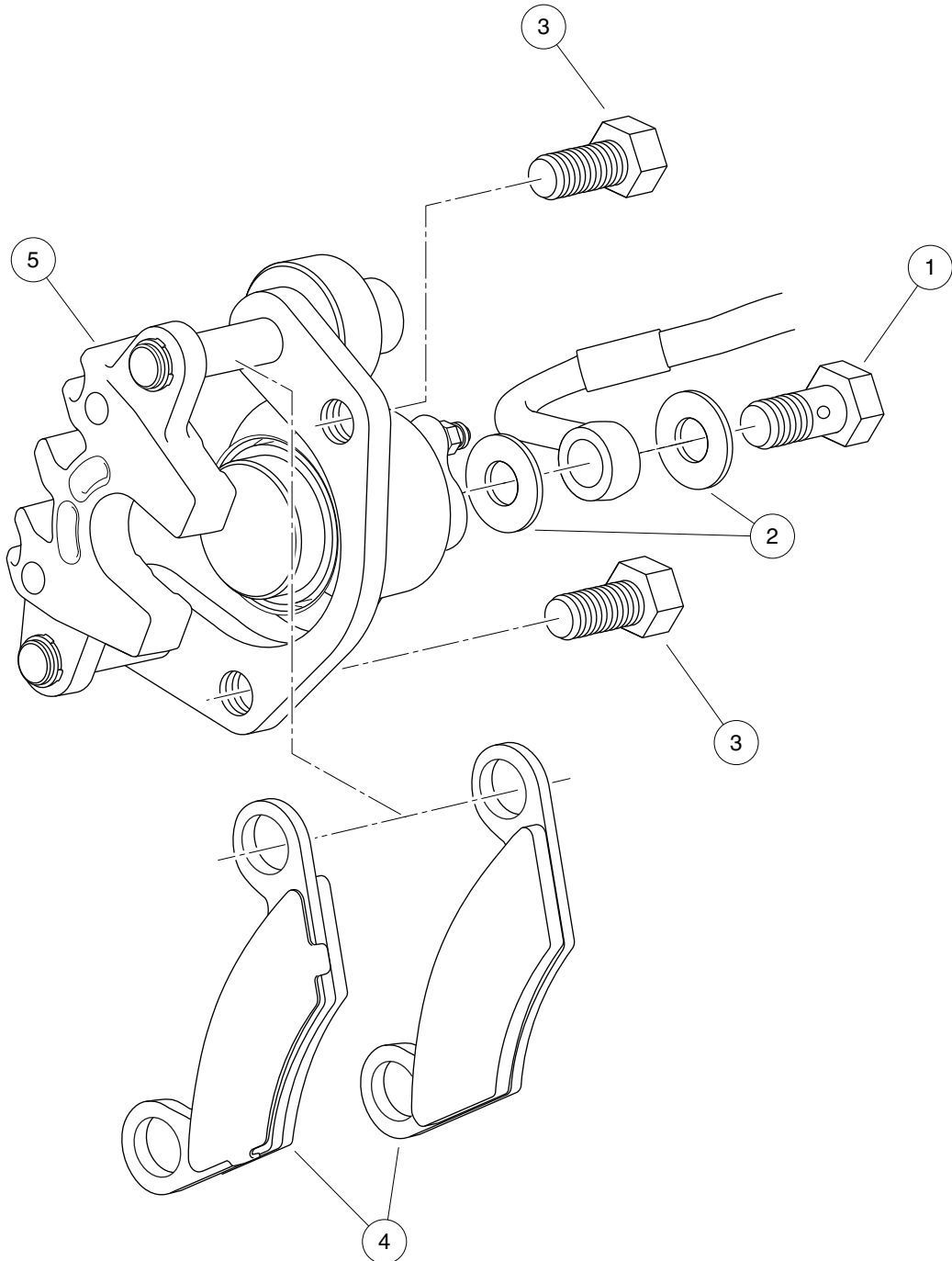
**G**

**D**

4

G

D



000067-002



## FRONT BRAKE ASSEMBLY (STYLE B)

ITEM	PART NO.	DESCRIPTION	QTY
		1 2 3 4	
1	102488001	Bolt, Banjo, M10x1x19 .....	2
2	102491601	Washer, Copper, M10 Crush .....	2
3	102493301	Bolt Flange Head, 3/8-24x.750 with Loctite .....	4
4	103160101	Kit, Brake Pad, 7646 (not shown) .....	1
5	103574301	Brk Caliper, Front, W/pad 7646 .....	2

**4**

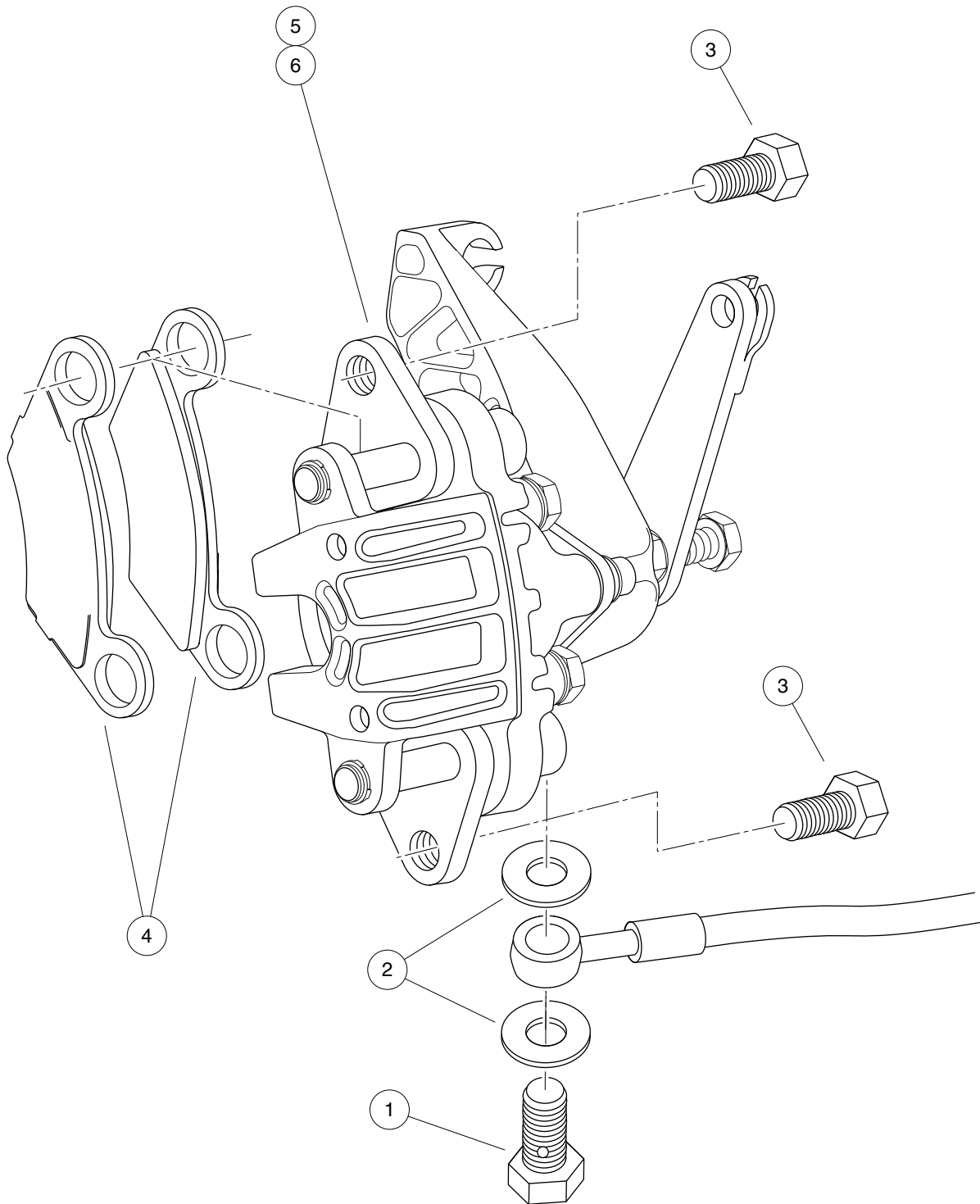
**G**

**D**

4

G

D



000068-002

## REAR BRAKE ASSEMBLY (STYLE B)

ITEM	PART NO.	DESCRIPTION	QTY
		<b>1 2 3 4</b>	
1	102488001	Bolt, Banjo, M10x1x19 .....	2
2	102491601	Washer, Copper, M10 Crush .....	4
3	102493301	Bolt Flange Head, 3/8-24x.750 with Loctite .....	4
4	102714001	Service Kit, Brake Pad (4 Pads) .....	1
5	103523602	Caliper, H-m, Rear, Lh, 1550 .....	1
6	103523702	Caliper, H-m, Rear, Rh, 1550 .....	1

**4**

**G**

**D**

**4**

**G**

**D**

# STEERING AND SUSPENSION

---

5

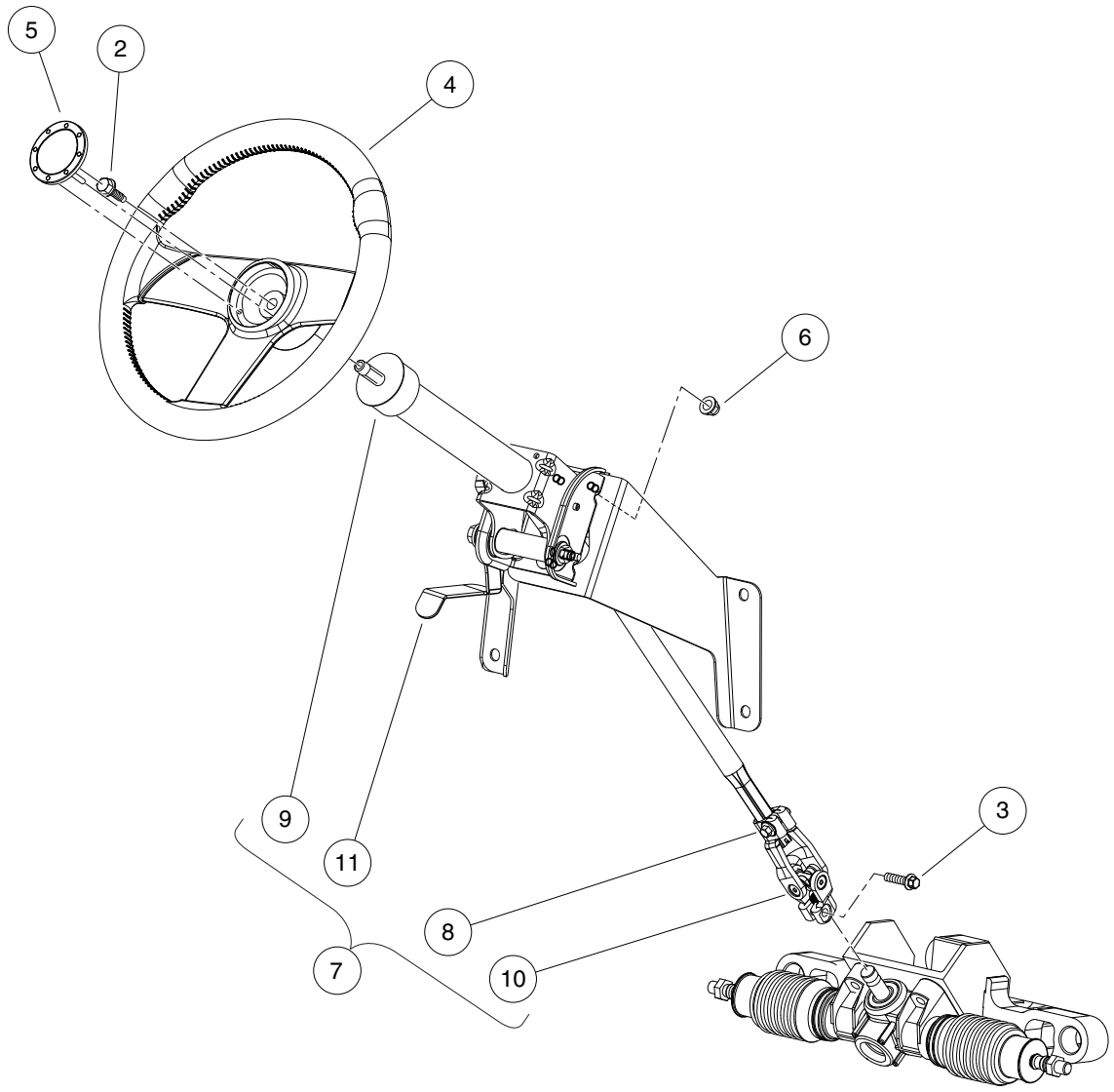
G

D

5

G

D



000070-002

# STEERING COLUMN

ITEM	PART NO.	DESCRIPTION	QTY
		<b>1 2 3 4</b>	
1	N/A	Instl, Steering System (includes items 2 through 7) .....	1
2	102290120	Bolt, M10 X 20 Hex Washer Hd .....	1
3	102298130	Bolt, Flange Head, M8 X 30.0 .....	1
4	102363802	Steering Wheel, Viper, Hex Hub .....	1
5	102367101	Cap, Steering Wheel, Viper .....	1
6	102618601	Lock Nut, Flg M8 X 1.25 Nylon .....	3
7	102989801	Steering Column (includes items 8 through 11) .....	1
8	102298130	Bolt, Flange Head, M8 X 30.0 .....	1
9	102571301	Shroud, Steering Column .....	1
10	102616801	Bolt, M4 X .7 X 60 .....	1
11	102977101	Handle, Steering, Tilt .....	1

**5**

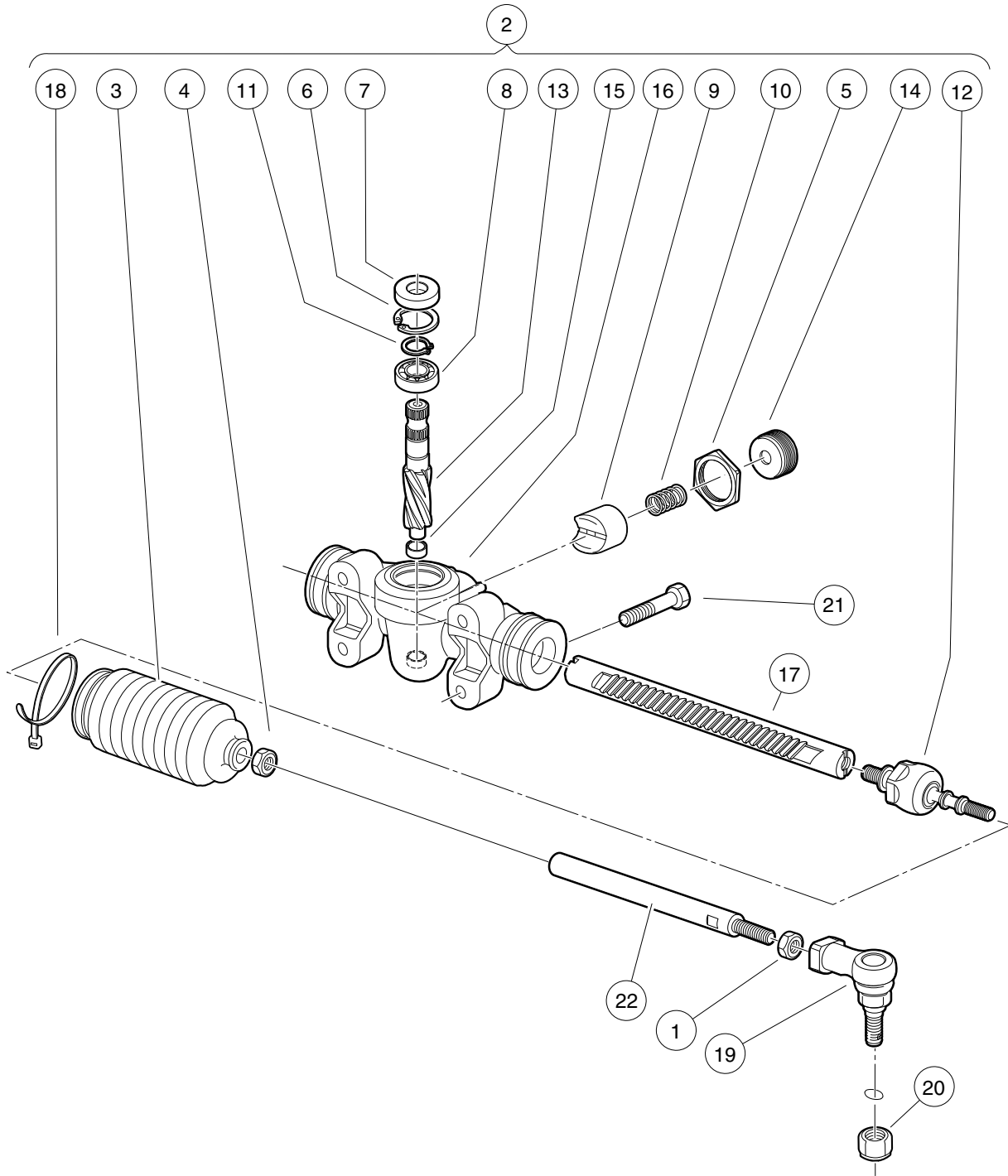
**G**

**D**

5

G

D



000071-001

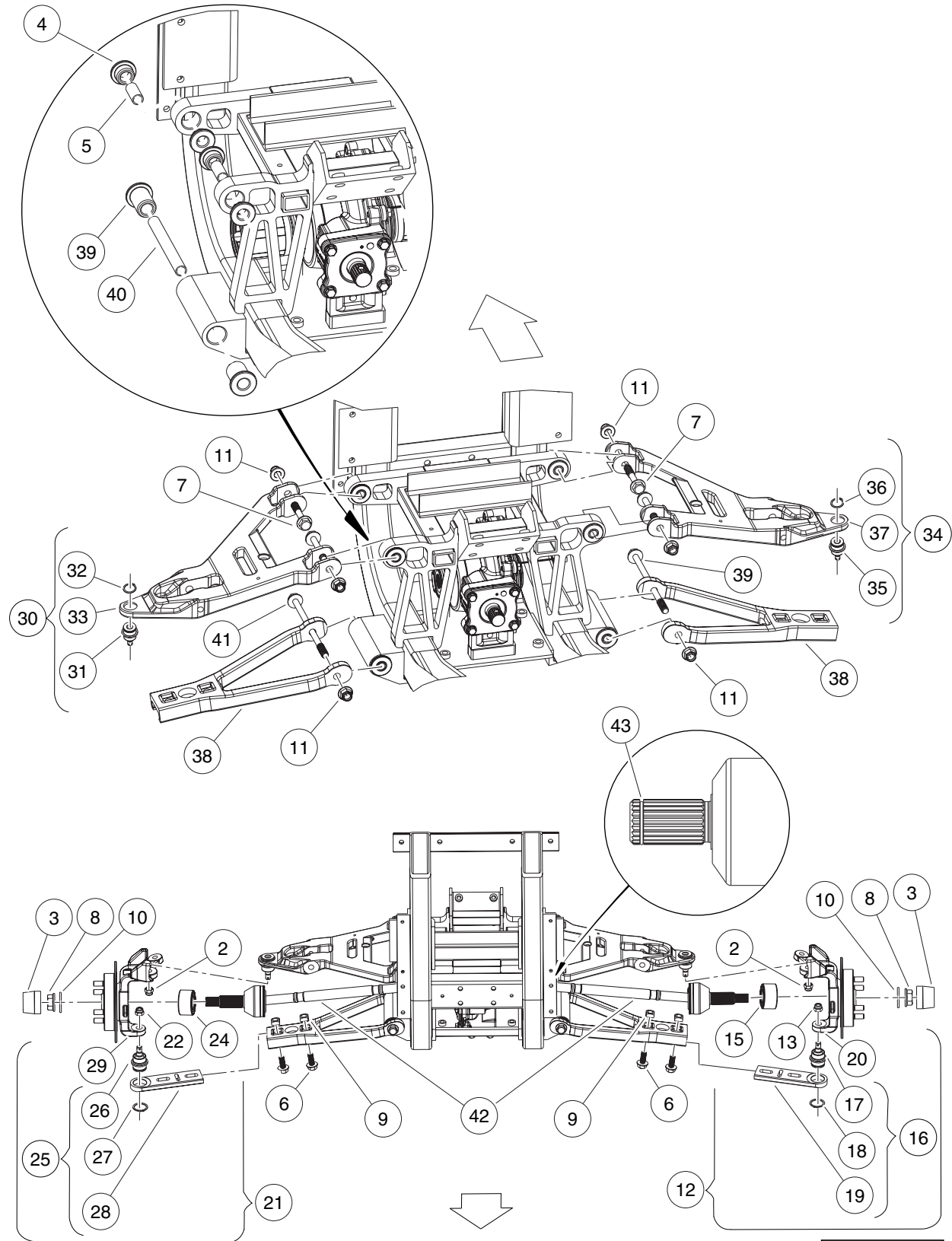


# STEERING GEAR ASSEMBLY

ITEM	PART NO.	DESCRIPTION	QTY	
		<b>1 2 3 4</b>		5
1	1013042	Nut, 12mm Hex .....	2	G
2	102010102	Steering Rack (includes items 3 through 18) .....	1	
3	1013035	Bellows, Long .....	2	
4	1013042	Nut, 12mm Hex .....	2	D
5	1013044	Rack Screw Locknut .....	1	
6	1013051	Snap Ring .....	1	
7	1013052	Seal, Steering Pinion Dust .....	1	
8	101879401	Bearing, Ball .....	1	
9	101879701	Support Yoke .....	1	
10	101879801	Rack Guide Pressure Spring .....	1	
11	101879901	Ring, Stop, C-Type .....	1	
12	101880201	Inner Ball Joint Asm .....	2	
13	N/A	Pinion, Steering .....	1	
14	N/A	Bearing, Lower Pinion .....	1	
15	N/A	Screw, Rack Guide .....	1	
16	N/A	Housing, Steering Gear .....	1	
17	N/A	Rack, Steering .....	1	
18	8990	Tie Wrap, 8" Nylon .....	2	
19	102022601	End, Tie Rod M12 X 1.25 Rh .....	2	
20	102022901	Locknut, M12-1.25 Nylon .....	2	
21	102687801	Bolt, Flange Head, M10x 1.5 X 40 with Loctite .....	4	
22	102816801	Link, Drag, Wt .....	2	

**5**  
**G**

**D**



000534-001

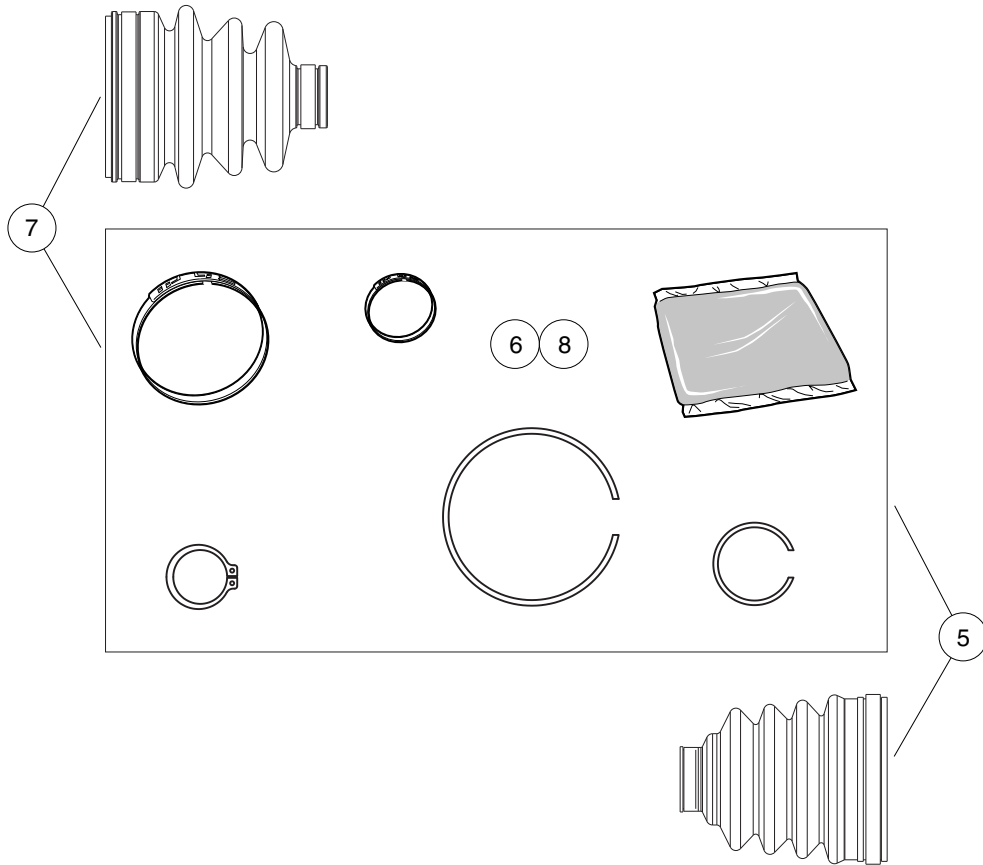
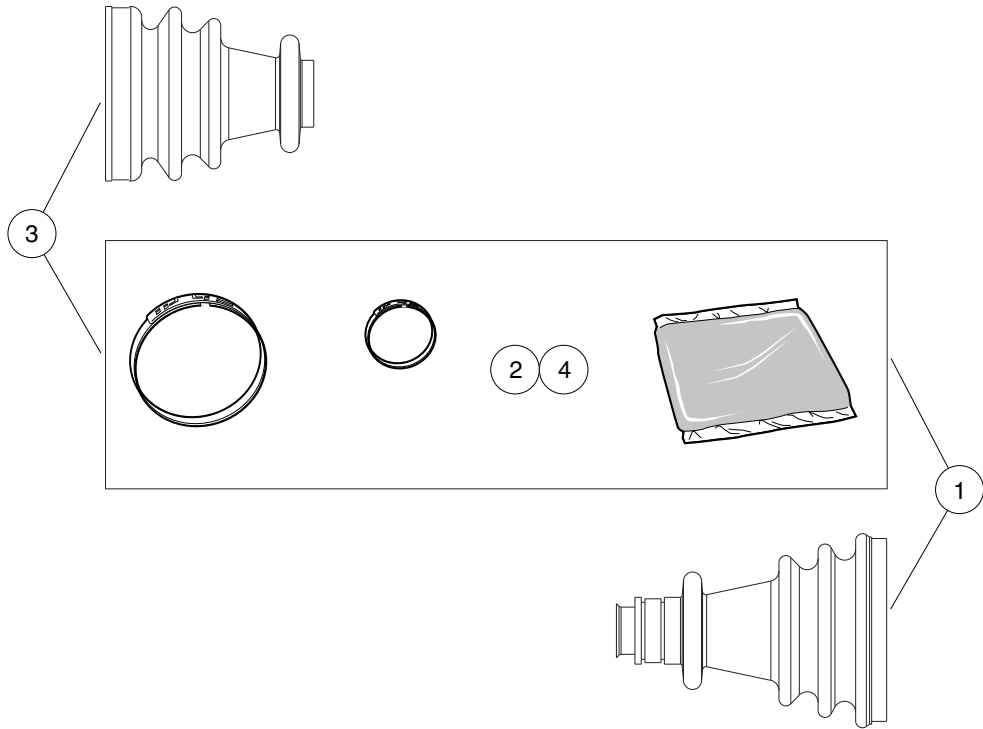
## FRONT SUSPENSION – A-ARMS

ITEM	PART NO.	DESCRIPTION	QTY	<b>5</b>
		<b>1 2 3 4</b>		<b>G</b>
1	N/A	Suspension, AWD, Wide (includes items 2 through 42) .....	1	
2	102022901	Locknut, M12-1.25 Nylon .....	2	
3	102274101	Center Cap, Rubber .....	2	
4	102408401	Bushing, A-Arm .....	8	<b>D</b>
5	102437001	Sleeve, Upper .....	4	
6	102490801	Bolt, Flange Head, M12x 1.75x 30 with Loctite .....	4	
7	102616301	Bolt, Flange Head, M12 X 1.75 X 70 .....	4	
8	102617501	Nut Flg, M22 X 1.5 Mech Def .....	2	
9	102617701	Nut, Square, M12x 1.75 .....	4	
10	102617801	Washer Hard, M22 .....	2	
11	102620501	Nut Flg, M12x1.75, Nylon Gr 10 .....	6	
12	102791701	Upright, Left-Hand (includes items 13 through 20) .....	1	
13	102022901	Locknut, M12-1.25 Nylon .....	1	
14	102376605	Assy, Rotor, Brake, Front, Gr .....	1	
15	102464301	Bearing .....	1	
16	102874301	Asm, Adjuster, Slide (includes items 17 through 19) .....	1	
17	102361901	Joint, Ball .....	1	
18	102722301	Ring, Retaining, Ext, 1-1/4" .....	1	
19	N/A	Slide, Adjuster .....	1	
20	103277001	Upright, Finished, Lh .....	1	
21	102791702	Upright, Right-Hand (includes items 22 through 29) .....	1	
22	102022901	Locknut, M12-1.25 Nylon .....	1	
23	102376605	Assy, Rotor, Brake, Front, Gr .....	1	
24	102464301	Bearing .....	1	
25	102874301	Asm, Adjuster, Slide (includes items 26 through 28) .....	1	
26	102361901	Joint, Ball .....	1	
27	102722301	Ring, Retaining, Ext, 1-1/4" .....	1	
28	N/A	Slide, Adjuster .....	1	
29	103277002	Upright, Finished, Rh .....	1	
30	102792001	Asm, A-Arm, Upper, Left (includes items 31 through 33) .....	1	
31	102361901	Joint, Ball .....	1	
32	102722301	Ring, Retaining, Ext, 1-1/4" .....	1	
33	102927101	Arm, Upper, Wide, Machined, Lh .....	1	
34	102792002	Asm, A-arm, Upper, Right (includes items 35 through 37) .....	1	
35	102361901	Joint, Ball .....	1	
36	102722301	Ring, Retaining, Ext, 1-1/4" .....	1	
37	102927102	Arm, Upper, Wide, Machined,rh .....	1	
38	102874501	A-Arm, Lower .....	2	
39	103148501	Bushing, A-arm Front .....	2	
40	103256401	Sleeve, Lower Arm .....	2	
41	103256701	Bolt Flg, M12 X 1.75 X 200 10. ....	2	
42	103762201	Front Halfshaft, Awd .....	2	
43	103345801	Ring, Hog, Half Shaft .....	2	

5

G

D



000791-001

# CV BOOT REPAIR KITS

ITEM	PART NO.	DESCRIPTION	QTY
		<b>1 2 3 4</b>	
1	AM11807	Boxed Outboard Boot Kit (includes item 2) .....	1
2	N/A	Half Shaft Boot Instl. Instr. ....	1
3	AM11808	Boxed Inboard Boot Kit (includes item 4) .....	1
4	N/A	Half Shaft Boot Instl. Instr. ....	1
5	AM1241201	Kit, Outer Boot, Gen 2 (includes item 6) .....	1
6	N/A	Instructions, Boot Replacement .....	1
7	AM1241301	Kit, Inner Boot, Gen 2 (includes item 8) .....	1
8	N/A	Instructions, Boot Replacement .....	1

5

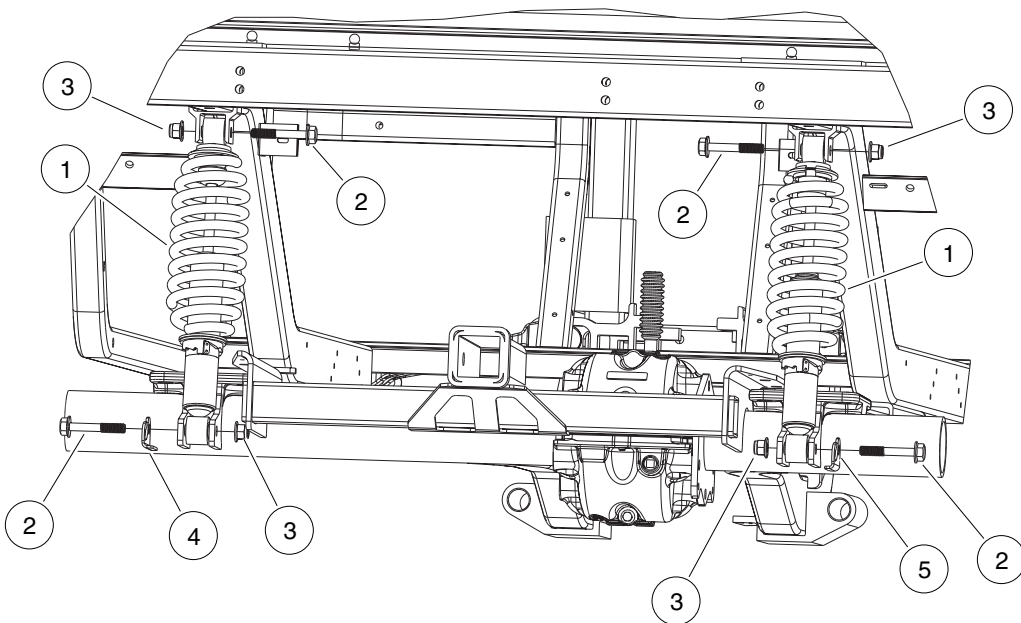
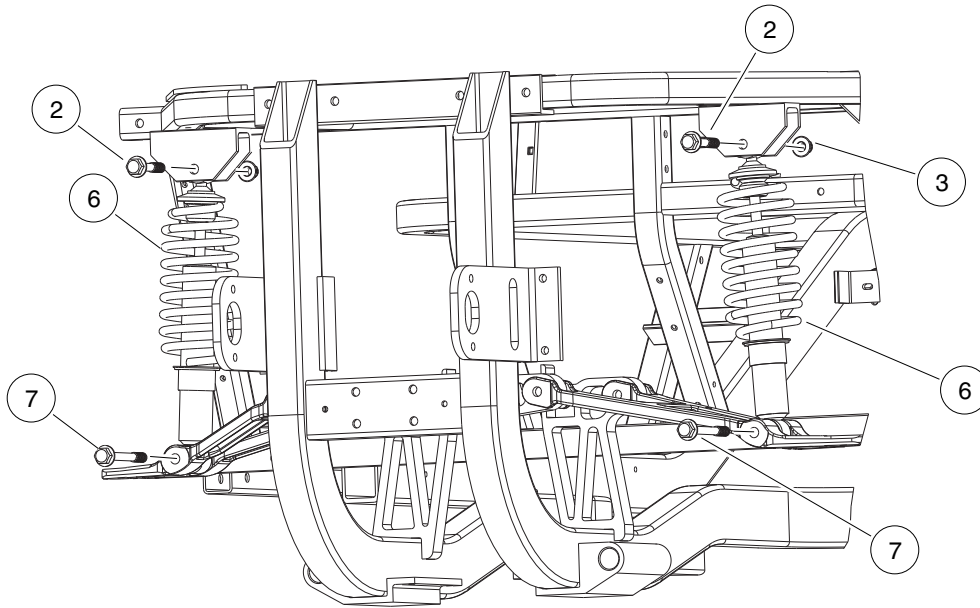
G

D

5

G

D



000530-001

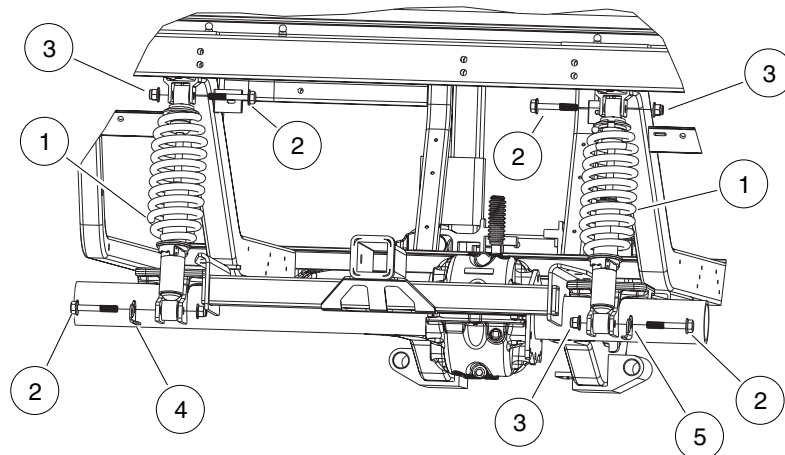
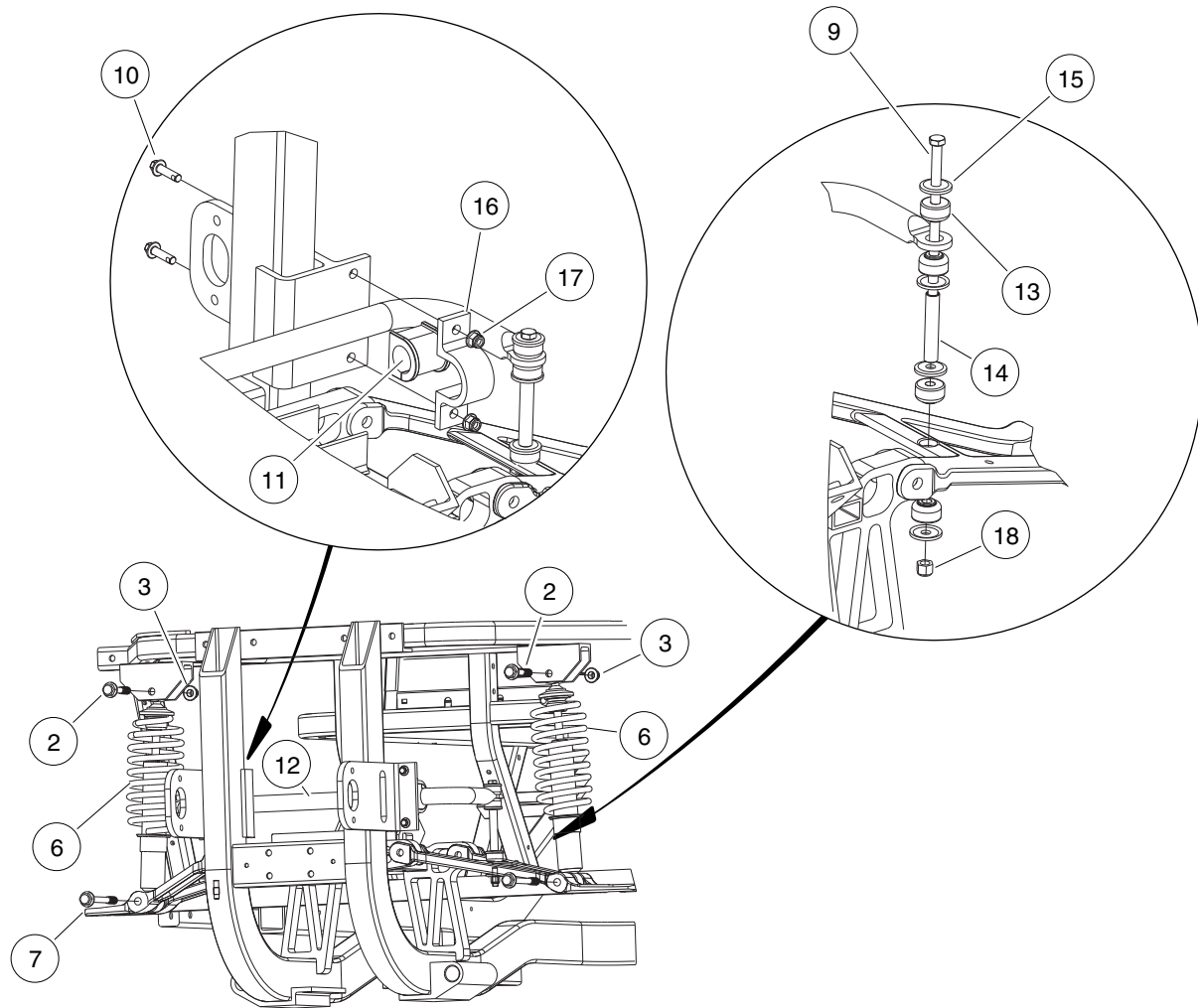
## SHOCK ABSORBERS – STANDARD

ITEM	PART NO.	DESCRIPTION	QTY	
		1 2 3 4		<b>5</b>
1	102365601	Shock, Coil Over Rear .....	2	<b>G</b>
2	102616301	Bolt, Flange Head, M12 X 1.75 X 70 .....	6	
3	102620501	Nut Flg, M12x1.75, Nylon Gr 10 .....	6	
4	102689101	Brkt, Line, Hyd, Shk Mnt, Drv .....	1	<b>D</b>
5	102689102	Brkt, Line, Hyd, Shk Mnt, Pass .....	1	
6	102786301	Shock, Coil Over, 330 Lb/in .....	2	
7	102788701	Bolt Flg, M12x1.75x100, Patch .....	2	
		<p>Note: Shock, coil over 102792101 has been superceded by 102786301 and must be installed as matched pairs.</p>		

5

G

D



000530-002



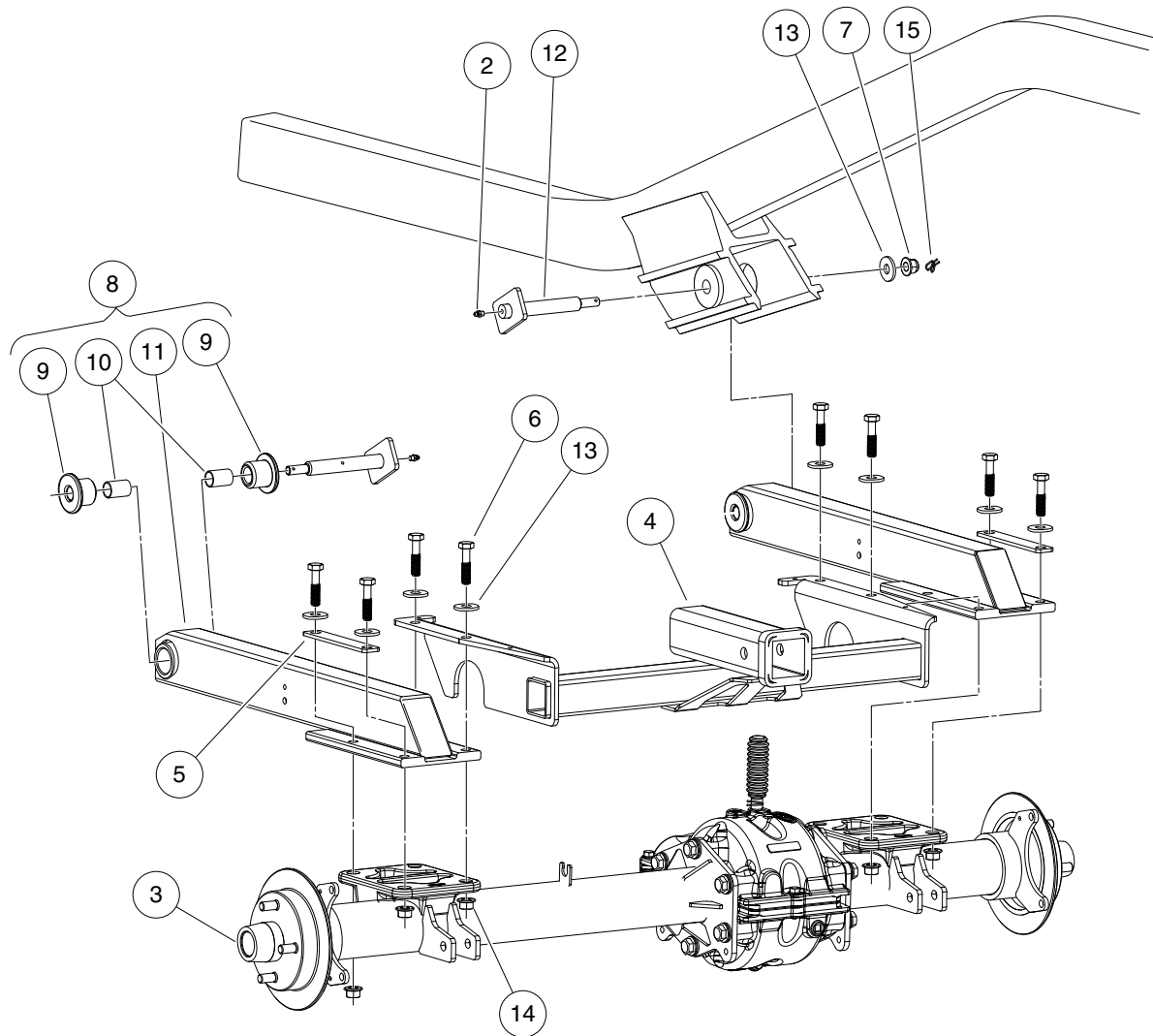
## SHOCK ABSORBERS – HIGH CAPACITY

ITEM	PART NO.	DESCRIPTION	QTY	
		<b>1 2 3 4</b>		<b>5</b>
1	102365602	Shock, Coil Over, Rear HD .....	2	<b>G</b>
2	102616301	Bolt, Flange Head, M12 X 1.75 X 70 .....	6	
3	102620501	Nut Flg, M12x1.75, Nylon Gr 10 .....	6	
4	102689101	Brkt, Line, Hyd, Shk Mnt, Drv .....	1	<b>D</b>
5	102689102	Brkt, Line, Hyd, Shk Mnt, Pass .....	1	
6	102786301	Shock, Coil Over, 330 Lb/in .....	2	
7	102788701	Bolt Flg, M12x1.75x100, Patch .....	2	
8	N/A	Instl, Bar, Antisway, Wide Frt (includes items 9 through 18) .....	1	
9	1016183	Screw, 3/8-16 X 7.00 Hex Cap .....	2	
10	102298130	Bolt, Flange Head, M8 X 30.0 .....	4	
11	102446601	Bushing, Anti-Sway Bar, 1-1/8 .....	1	
12	102464601	Bar, Sway, Formed .....	1	
13	102470101	Bushing, Link .....	8	
14	102470501	Sleeve, Link .....	2	
15	102470601	Washer, Cup, Bushing .....	8	
16	102495001	Bracket, Anti-Sway Bar .....	2	
17	102618601	Lock Nut, Flg M8 X 1.25 Nylon .....	4	
18	8754	Locknut, 3/8-16 Hex .....	2	
		Note: Shock, coil over 102792101 has been superceded by 102786301 and must be installed as matched pairs.		

5

G

D



000031-002

## REAR SUSPENSION – STANDARD

ITEM	PART NO.	DESCRIPTION	QTY
		<b>1 2 3 4</b>	
1	N/A	Instl, Rear Suspension (includes items 2 through 15) .....	1
2	1015597	Fitting, 1/4-28 Thread-Forming Grease .....	2
3	102274101	Center Cap, Rubber .....	2
4	102393501	Weldment, Receiver, Rear .....	1
5	102619801	Washer, Strip, Swingarm .....	2
6	102620401	Bolt Flanged Head, M12 X 1.75 X 50 .....	8
7	102620501	Nut Flg, M12x1.75, Nylon Gr 10 .....	2
8	N/A	Sub Asm Swingarm (includes items 9 through 11) .....	2
9	102398901	Bushing, Pivot, Urethane .....	2
10	102477001	Bushing, Teflon .....	2
11	103282301	Swingarm, Rear, Awd .....	1
12	102682901	Pin, Swingarm, Weldment .....	2
13	102684501	Washer, M12 Hard Regular .....	10
14	102685601	Nut Flg M12 X 1.75 Cl10 .....	8
15	102737101	Cotter, Rue Ring, 1/2" .....	2

**5**

**G**

**D**

**5**

**G**

**D**

# ELECTRICAL SYSTEM

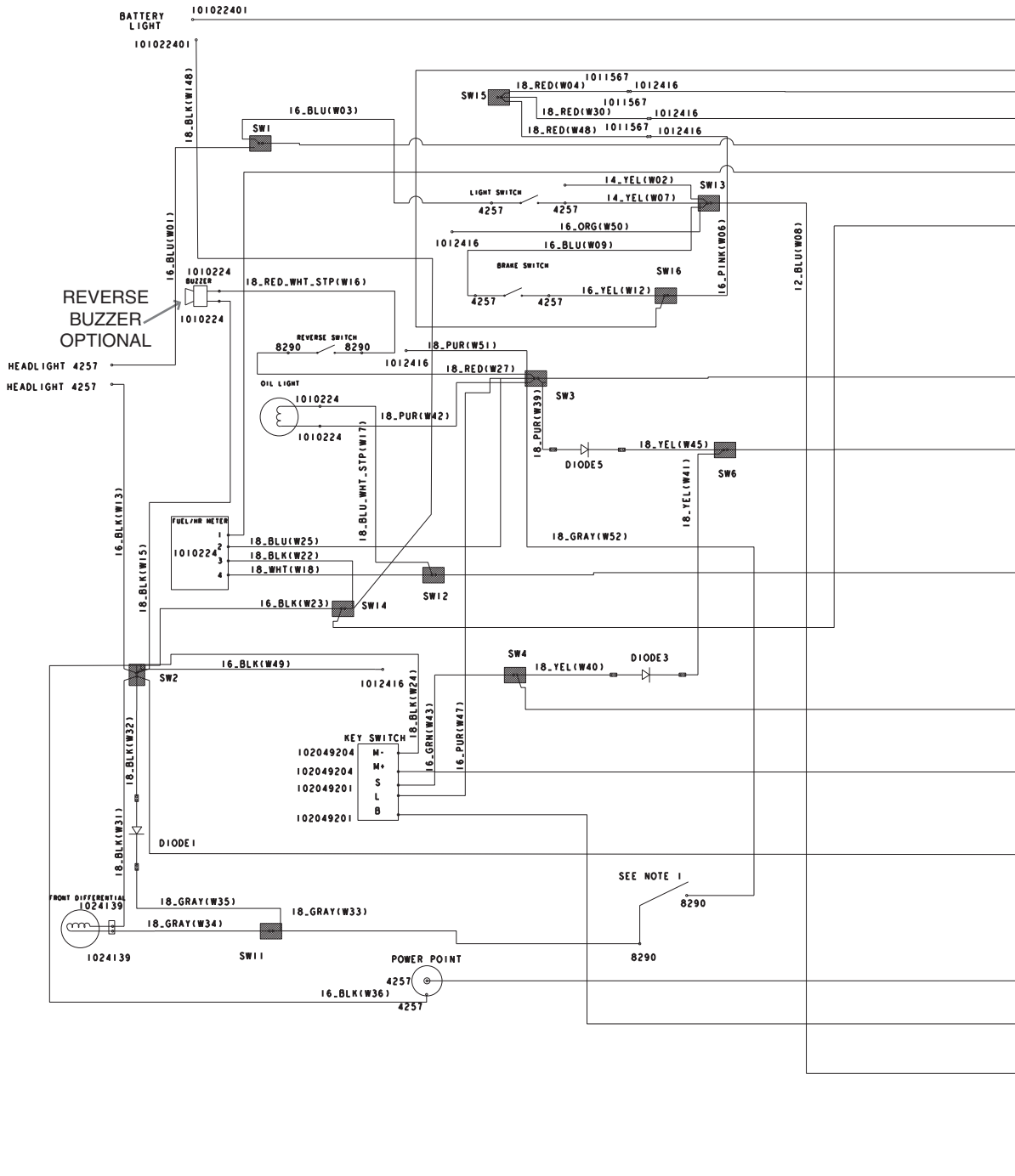
---

**6**

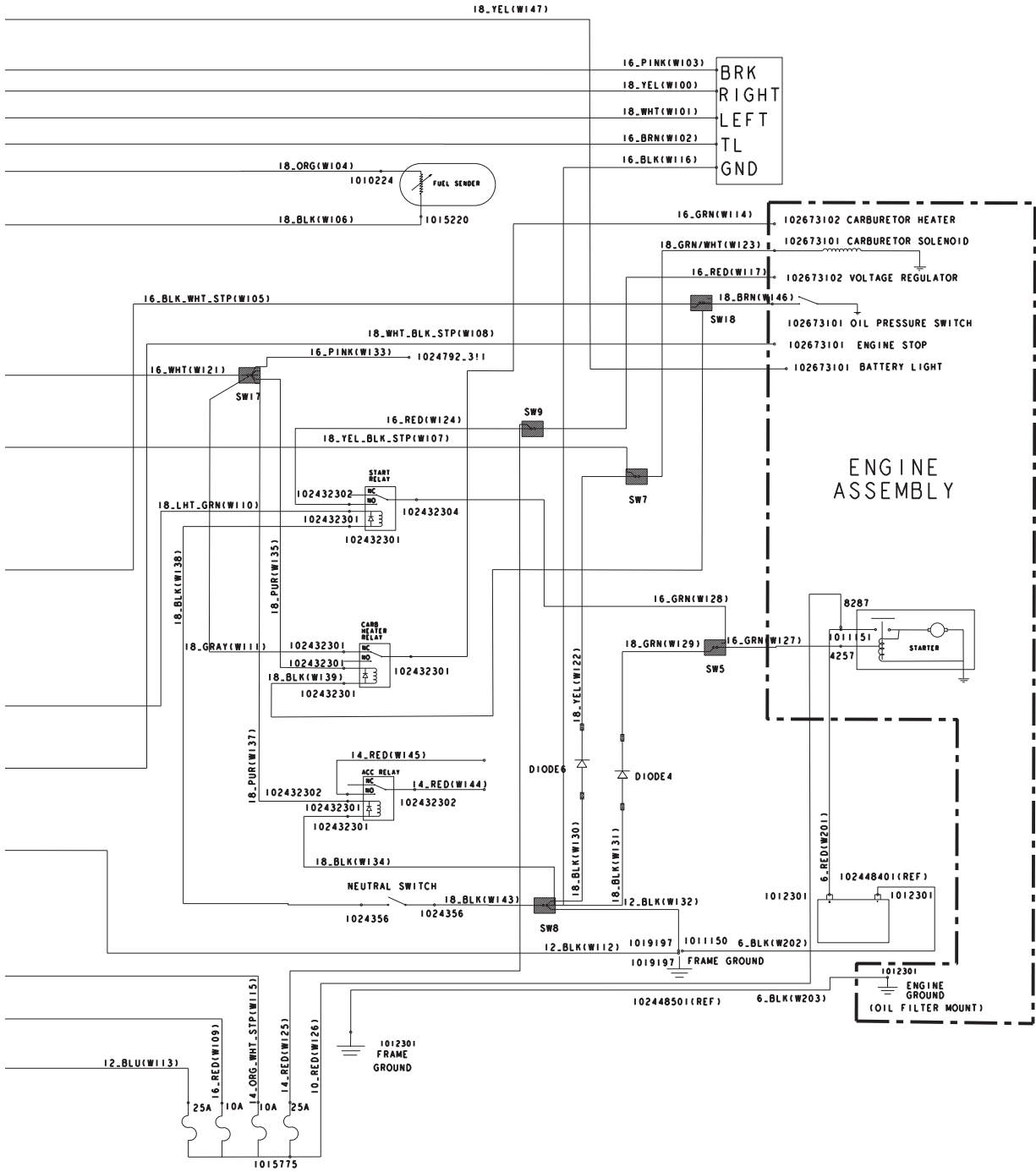
**G**

**D**

# KAWASAKI GASOLINE VEHICLE



000662-001



000662-001

**6**

**G**

**D**

See previous two pages for illustration.



## WIRING – GASOLINE VEHICLES, SINGLE PIECE

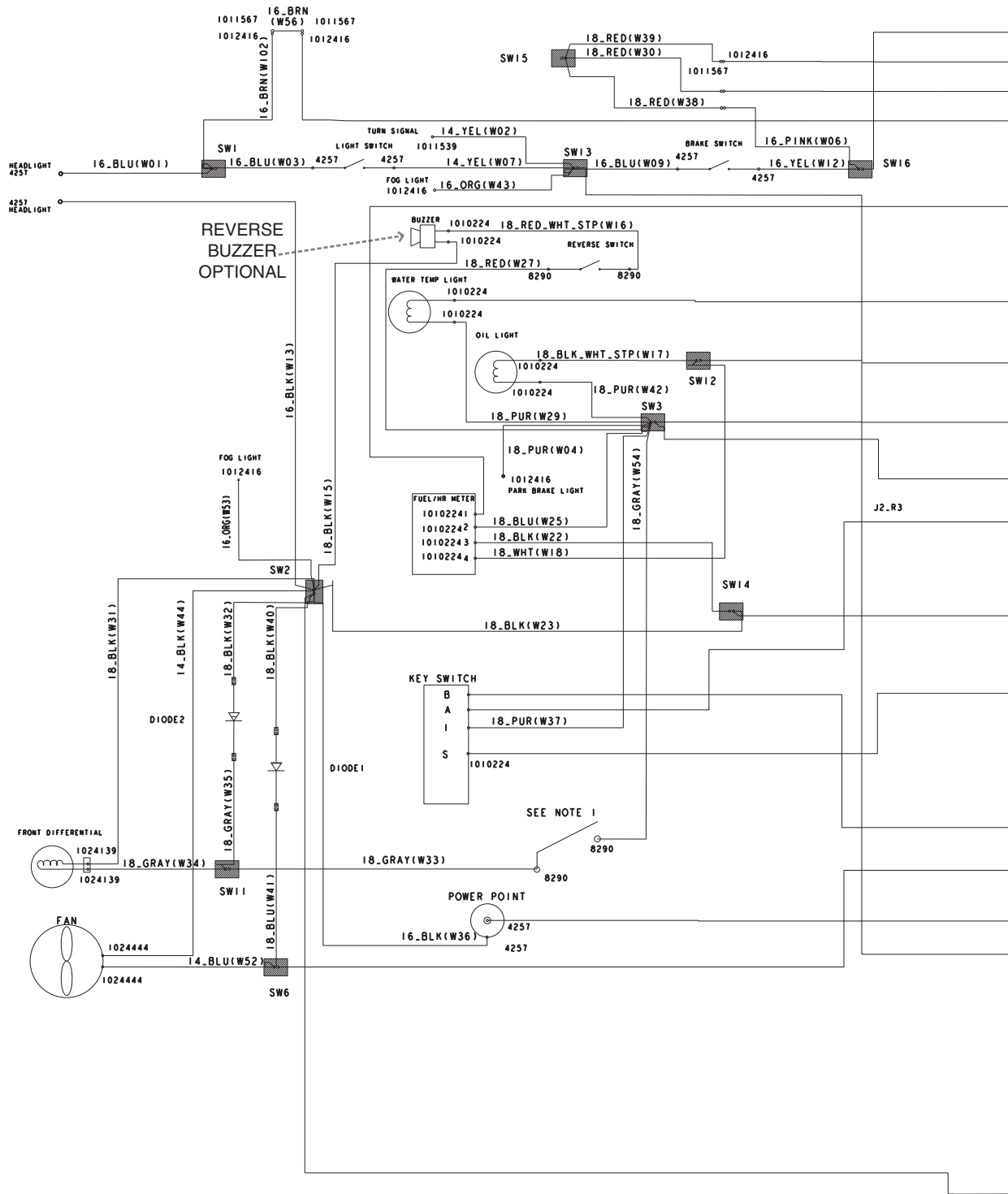
ITEM	PART NO.	DESCRIPTION	QTY
		<b>1 2 3 4</b>	
1	102538501	Diode, General Purpose, 6.0a .....	1
2	103305801	Harness, AWD, Kawasaki, Stretch .....	1
3	103327201	Asm, Switch, Limit, Awd .....	1

**6**

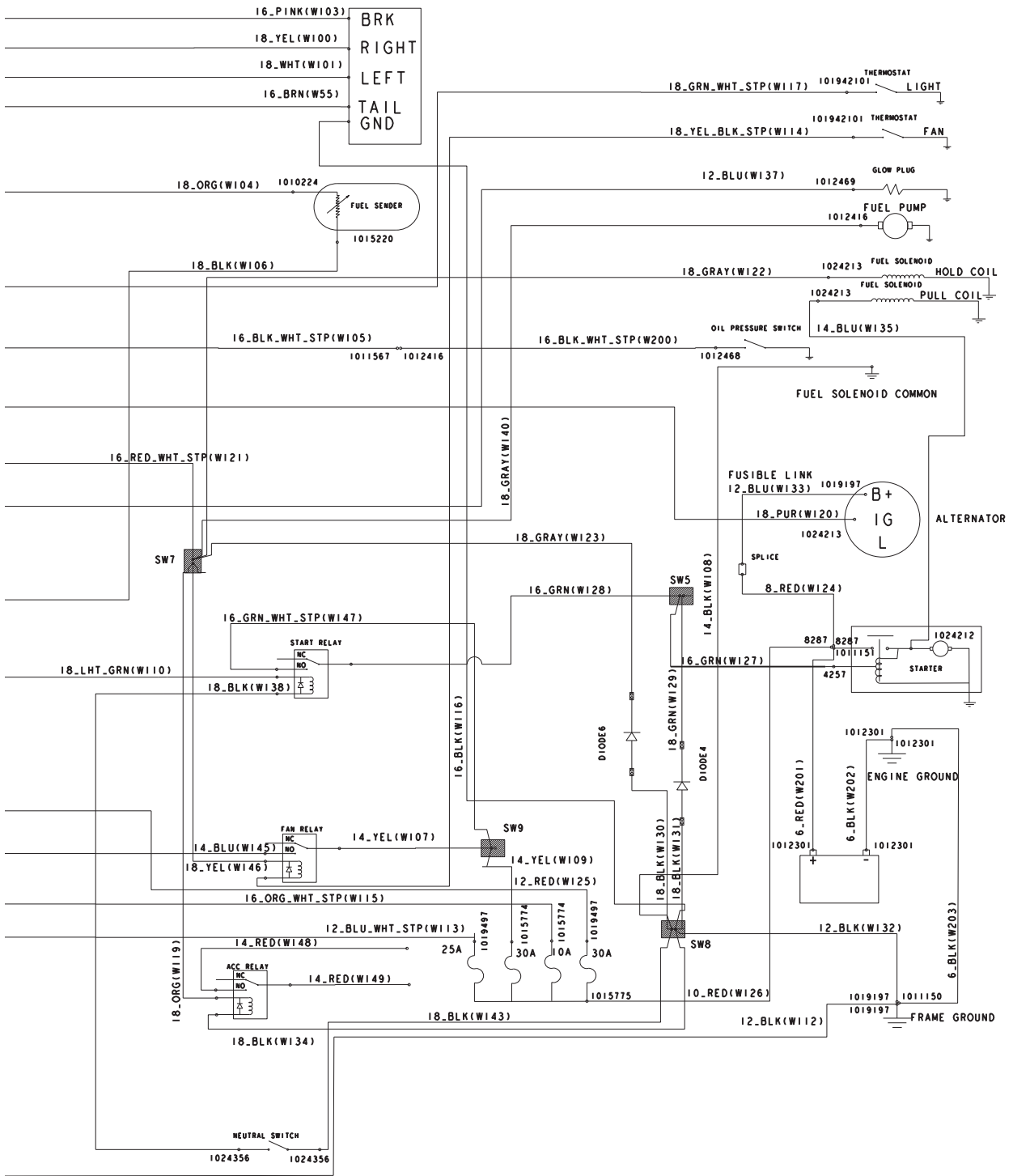
**G**

**D**

**DIESEL VEHICLE**



000662-002



000662-002

**6**

**G**

**D**

See previous two pages for illustration.

## WIRING – DIESEL VEHICLE, SINGLE PIECE

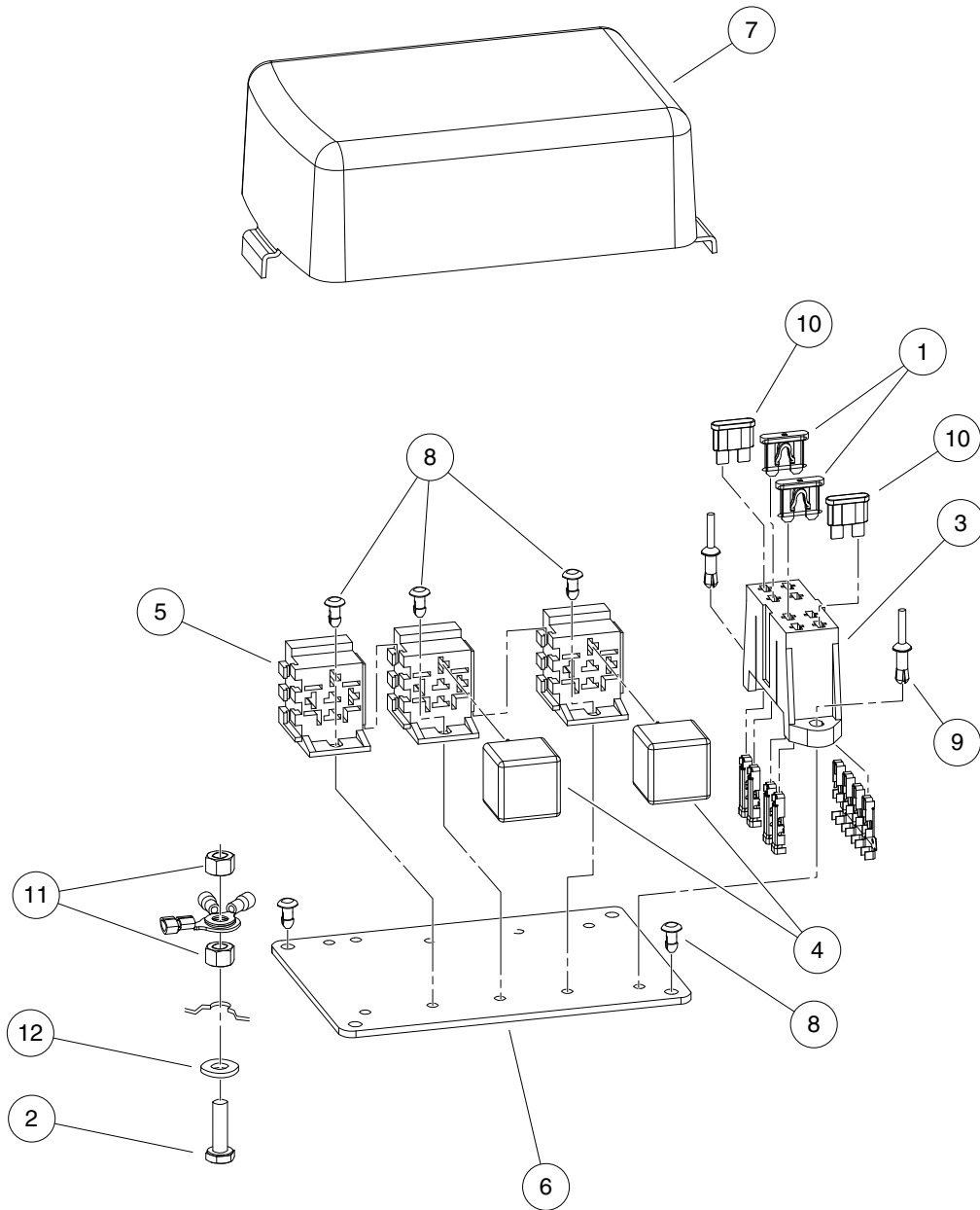
ITEM	PART NO.	DESCRIPTION	QTY
1	102538501	1 2 3 4 Diode, General Purpose, 6.0a .....	1
2	103277701	Harness, Diesel, AWD, Stretch .....	1
3	103327201	Asm, Switch, Limit, Awd .....	1

6  
G  
D

6

G

D



000076-001

## ELECTRICAL COMPONENT BOX, GASOLINE VEHICLES

ITEM	PART NO.	DESCRIPTION	QTY
		1 2 3 4	
1	1012295	Fuse, 10-Amp .....	2
2	1015521	Screw, 1/4-20 X .88 Hex Hd Cap .....	1
3	1015741	Fuse Block .....	1
4	102420201	Relay, Mini ISO, SPDT .....	2
5	****	Connector, Relay .....	3
6	102420401	Plate, Electrical .....	1
7	102420501	Cover, Electrical .....	1
8	102447901	Fastener, Push-in .....	7
9	102448001	Rivet, Drive .....	2
10	102492201	Fuse, 25-Amp .....	2
11	1108	Locknut, 1/4-20 Dimpled .....	2
12	332	Washer, 1/4 Type A Narrow Flat .....	1
**** Special order item available upon request.			

6

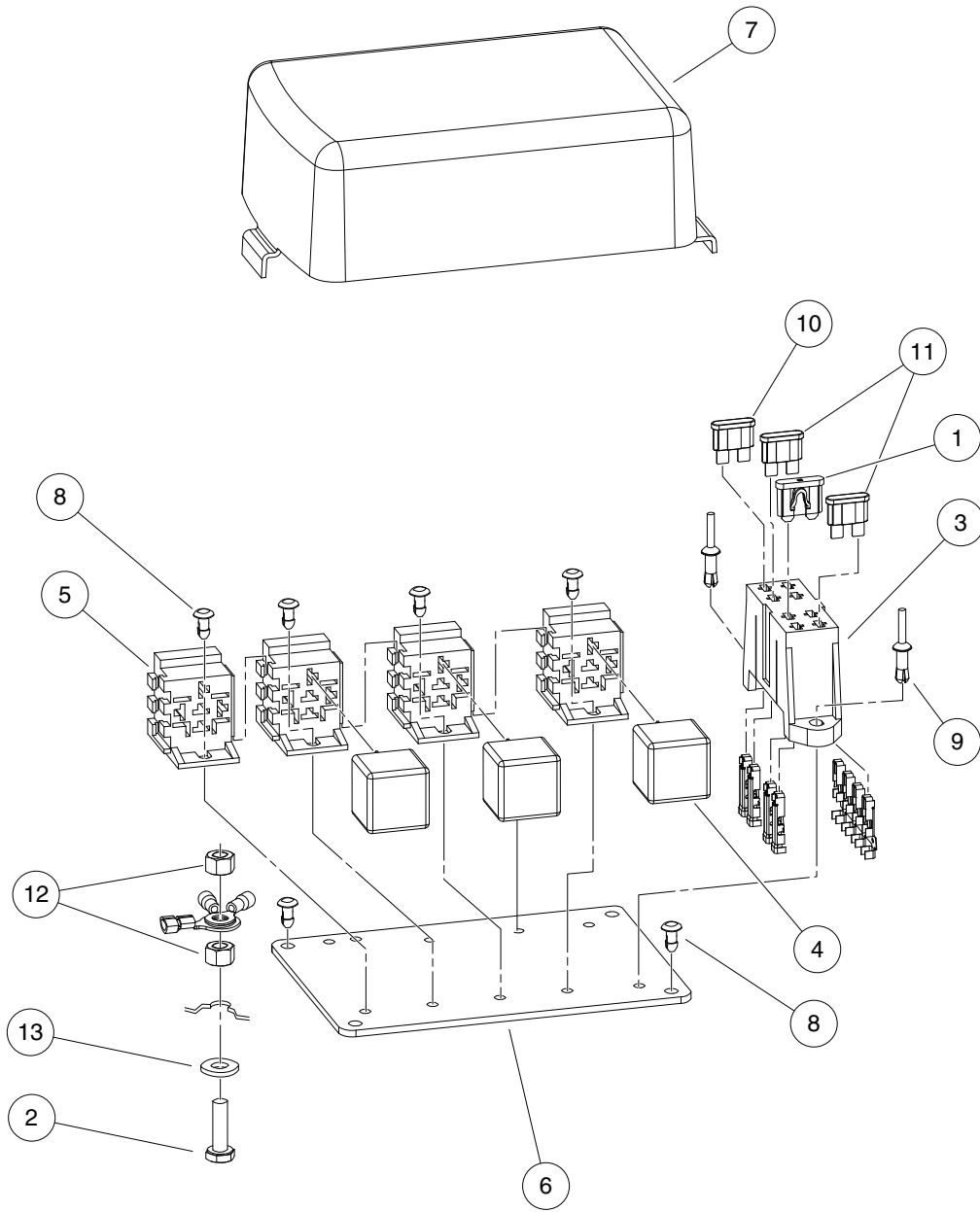
G

D

6

G

D



000076-002



## ELECTRICAL COMPONENT BOX, DIESEL VEHICLES

ITEM	PART NO.	DESCRIPTION	QTY
		1 2 3 4	
1	1012295	Fuse, 10-Amp .....	1
2	1015521	Screw, 1/4-20 X .88 Hex Hd Cap .....	1
3	1015741	Fuse Block .....	1
4	102420201	Relay, Mini ISO, SPDT .....	3
5	****	Connector, Relay .....	4
6	102420401	Plate, Electrical .....	1
7	102420501	Cover, Electrical .....	1
8	102447901	Fastener, Push-in .....	8
9	102448001	Rivet, Drive .....	2
10	102492201	Fuse, 25-Amp .....	1
11	102492301	Fuse, 30-Amp .....	2
12	1108	Locknut, 1/4-20 Dimpled .....	2
13	332	Washer, 1/4 Type A Narrow Flat .....	1
**** Special order item available upon request.			

6

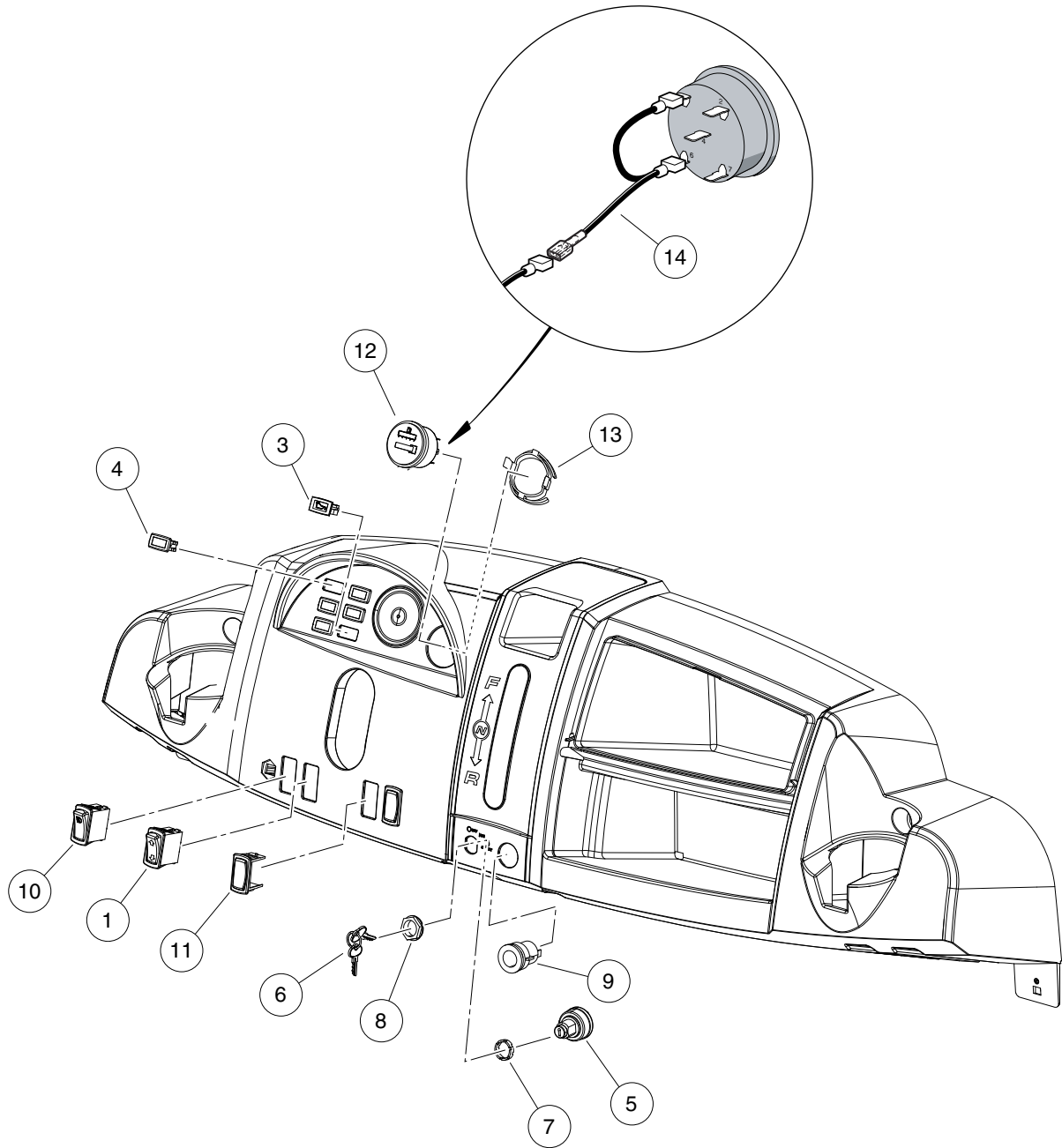
G

D

6

G

D



000543-003

## ELECTRICAL COMPONENTS – GAS

ITEM	PART NO.	DESCRIPTION	QTY
		<b>1 2 3 4</b>	
1	102882501	Switch, Rocker, Spring Return, Bed Lift .....	1
2	N/A	Instl, Elec Sys Awd Gas Fh680d (includes items 3 through 14) .....	1
3	1016630	Light, Oil .....	1
4	101802601	Plug, Hole .....	5
5	102044702	Key Switch 12v Key Start .....	1
6	102044801	Key Set .....	1
7	102051601	Spacer, Keyswitch .....	1
8	102051701	Nut, Key Switch .....	1
9	102198001	Receptacle, Accessory .....	1
10	102869401	Switch, Rocker, Light .....	1
11	103180101	Cover, Hole, Switch, Rocker .....	3
12	103348101	Gauge Fuel-hour Sep Gnd .....	1
13	103348201	Clip, Meter, Round .....	1
14	103348501	Asm Wire Meter F-h Jumper .....	1

**6**

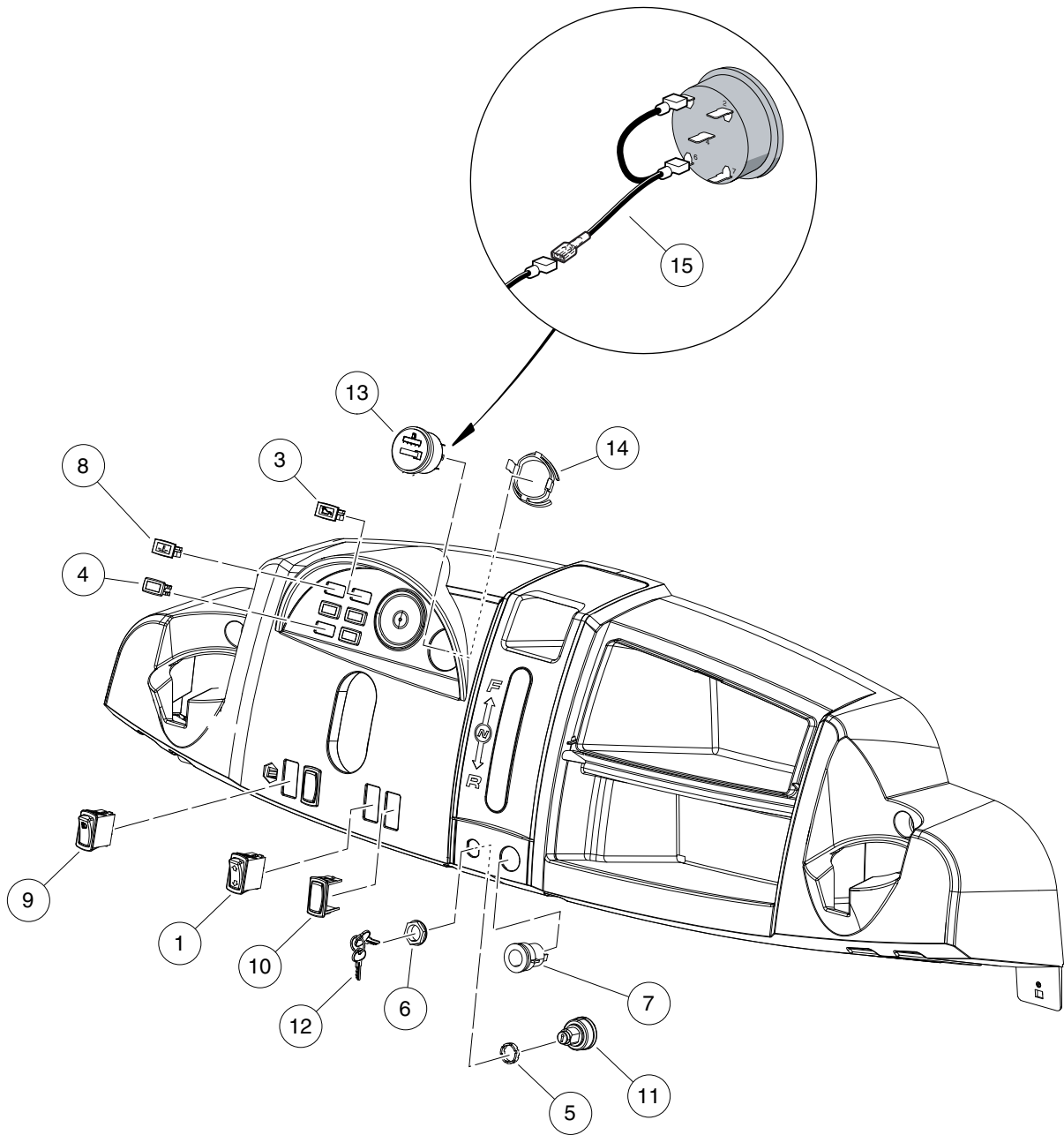
**G**

**D**

6

G

D



000543-008

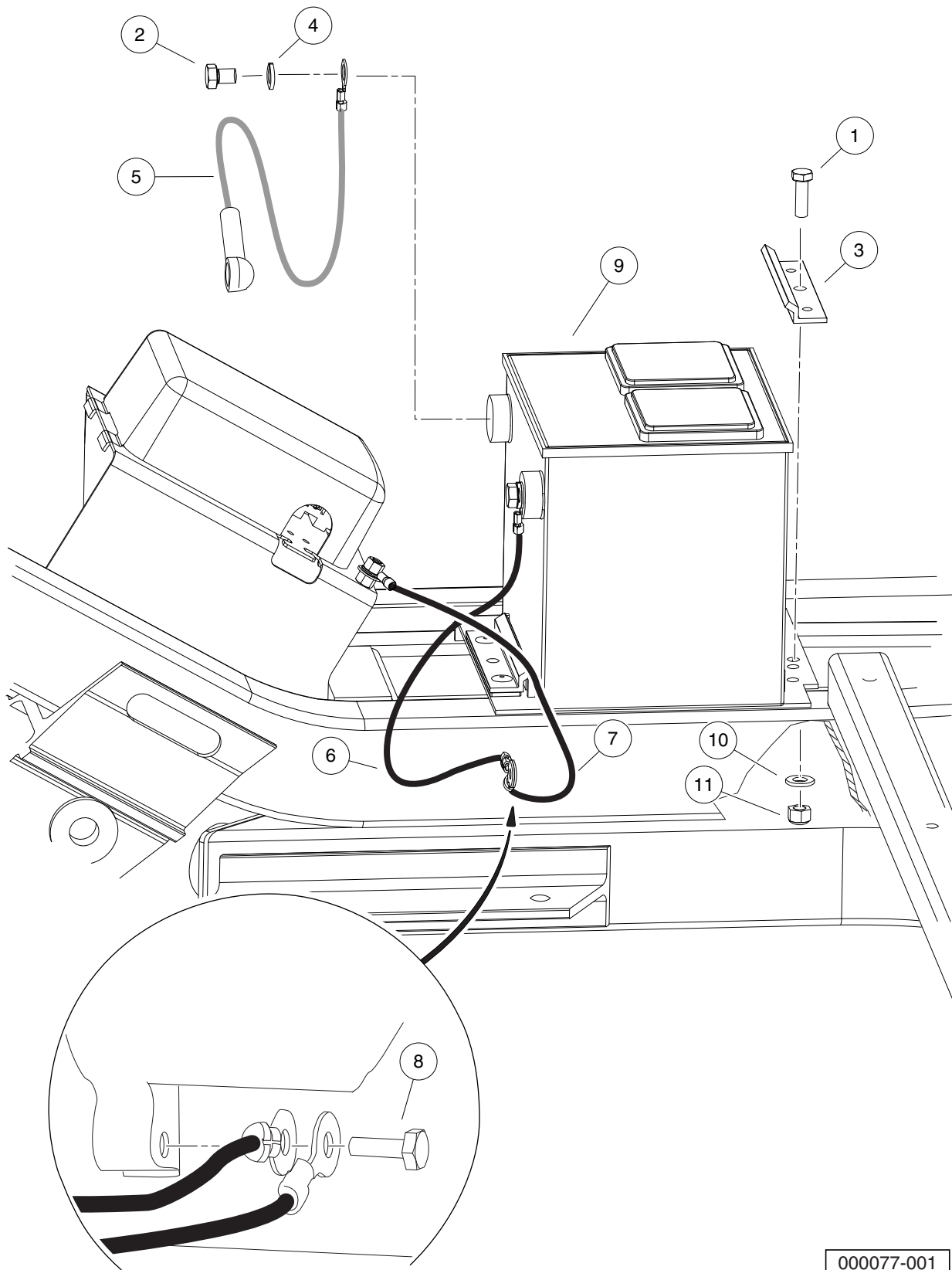
## ELECTRICAL COMPONENTS – DIESEL

ITEM	PART NO.	DESCRIPTION	QTY	<b>6</b>
		<b>1 2 3 4</b>		
1	102882501	Switch, Rocker, Spring Return, Bed Lift .....	1	<b>G</b>
2	N/A	Instl, Elec, Restyle Diesel Se (includes items 3 through 15) .....	1	
3	1016630	Light, Oil .....	1	
4	101802601	Plug, Hole .....	4	<b>D</b>
5	102051601	Spacer, Keyswitch .....	1	
6	102051701	Nut, Key Switch .....	1	
7	102198001	Receptacle, Accessory .....	1	
8	102375401	Light, Indicator, Coolant Temp .....	1	
9	102869401	Switch, Rocker, Light .....	1	
10	103180101	Cover, Hole, Switch, Rocker .....	3	
11	103208801	Keyswitch, 12v, Diesel .....	1	
12	103234401	Keys (set of 2) .....	1	
13	103348101	Gauge Fuel-hour Sep Gnd .....	1	
14	103348201	Clip, Meter, Round .....	1	
15	103348501	Asm Wire Meter F-h Jumper .....	1	

**6**

**G**

**D**



000077-001

## BATTERY – GASOLINE VEHICLES

ITEM	PART NO.	DESCRIPTION	QTY
		1 2 3 4	
1	1010934	Screw, 5/16-18 X 1.00 Hex Cap .....	1
2	1014375	Screw, 3/8-16 X 0.50 Stainless Steel Hex-Head .....	2
3	101898001	Clamp, Battery .....	1
4	102355301	Lockwasher, #10 Split Ss .....	2
5	102442201	Asm, #6 Red Wire .....	1
6	102442301	Asm, #6 Blk Wire .....	1
7	102442401	Asm, #6 Blk Wire .....	1
8	102490301	Bolt, M6 X 1 X 16 Loctite .....	1
9	N/A	Battery, Start, 12v .....	1
10	1241	Washer, 5/16 Type A Flat .....	1
11	7473	Locknut, 5/16-18 Nylon Insert .....	1

**6**

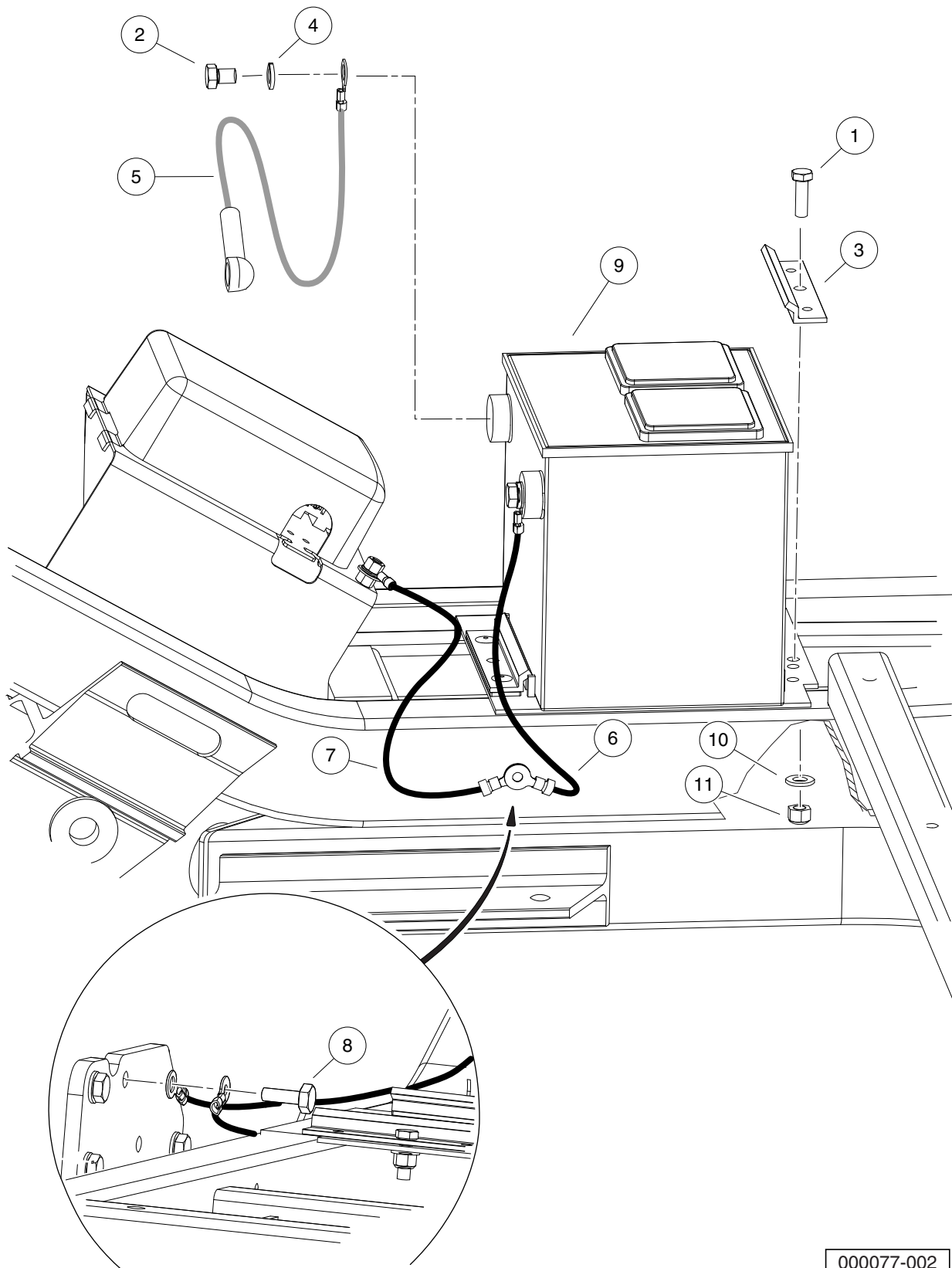
**G**

**D**

**6**

**G**

**D**



000077-002



## BATTERY – DIESEL VEHICLES

ITEM	PART NO.	DESCRIPTION	QTY
		1 2 3 4	
1	1010934	Screw, 5/16-18 X 1.00 Hex Cap .....	1
2	1014375	Screw, 3/8-16 X 0.50 Stainless Steel Hex-Head .....	2
3	101898001	Clamp, Battery .....	1
4	102355301	Lockwasher, #10 Split Ss .....	2
5	102442201	Asm, #6 Red Wire .....	1
6	102448401	Wire Asm, #6 Blk, Awd, 350 .....	1
7	102448501	Wire Asm, #6 Blk, Awd, 325 .....	1
8	102498201	Bolt, M10 X 1.25 X 25 Loctite .....	1
9	N/A	Battery, Start, 12v .....	1
10	1241	Washer, 5/16 Type A Flat .....	1
11	7473	Locknut, 5/16-18 Nylon Insert .....	1

**6**

**G**

**D**

**6**

**G**

**D**

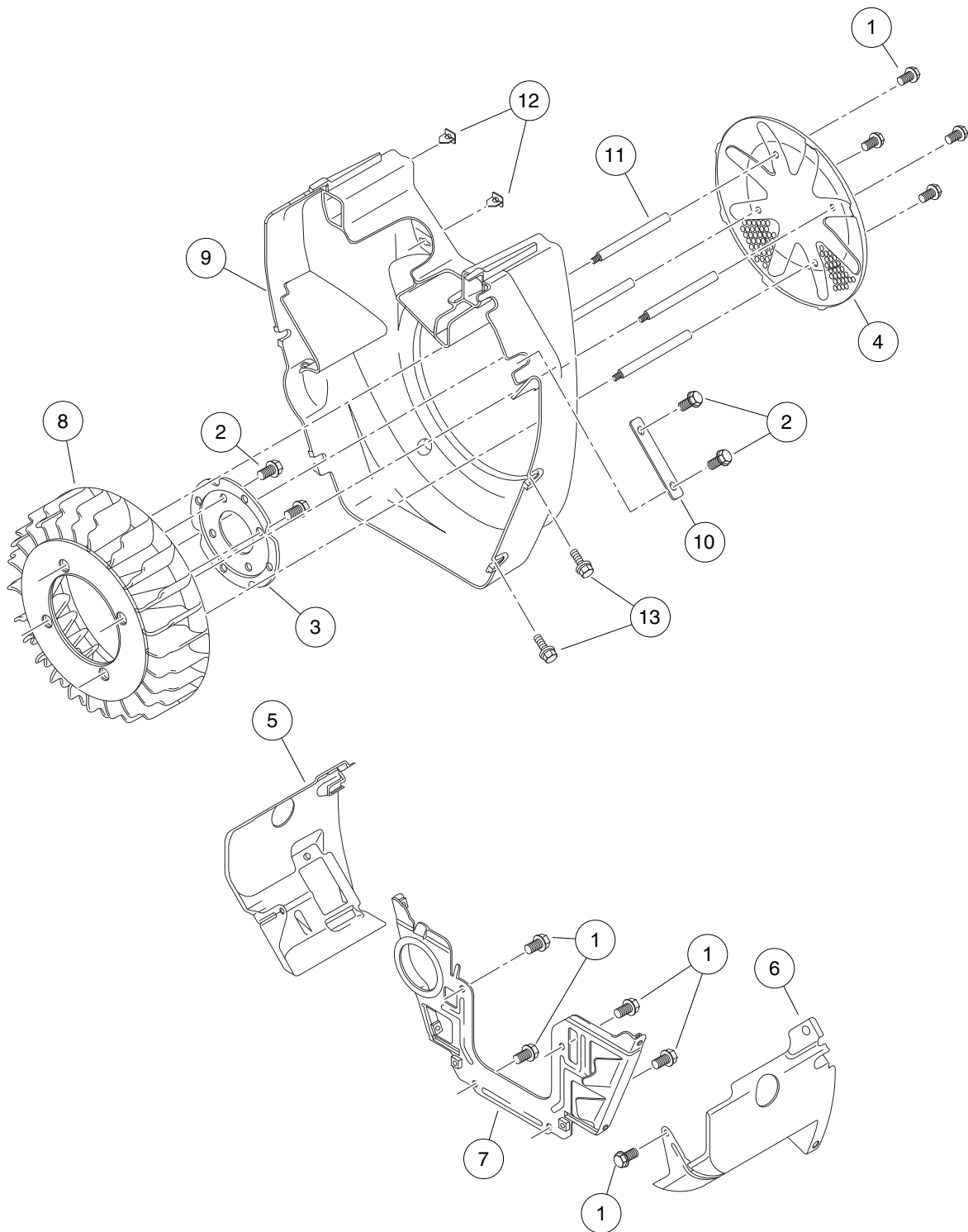
# KAWASAKI FH680D GASOLINE ENGINE

---

7

G

**7**  
**G**



000625-001

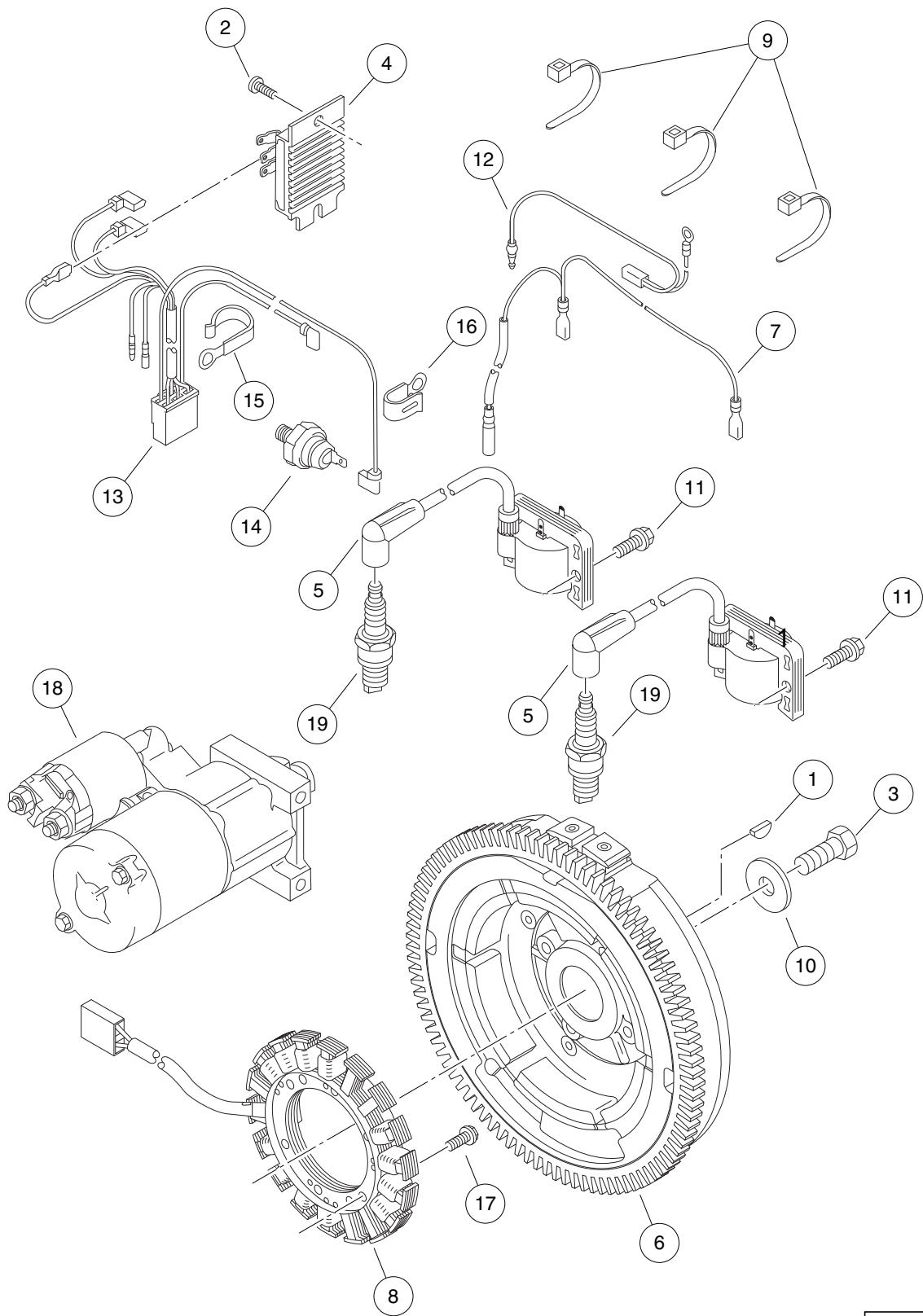
# SHROUDS AND BRACKETS

ITEM	PART NO.	DESCRIPTION	QTY
		1 2 3 4	
1	102992401	Bolt, Flg, M6 X 1.0 X 12 .....	9
2	102992501	Bolt, Flg, M6 X 1.0 X 16 .....	4
3	102998601	Plate, Housing, Fan, Fh .....	1
4	102998701	Screen, Fan, Fh .....	1
5	102999101	Shroud, Engine, Rh, Fh .....	1
6	102999201	Shroud, Engine, Lh, Fh .....	1
7	102999301	Shroud, Engine, Front, Fh .....	1
8	102999501	Fan, Cooling, Fh .....	1
9	102999601	Housing, Engine, Fh .....	1
10	103000001	Washer, Housing, Fan, Fh .....	1
11	103299301	Stud, Fan Screen, Fh .....	4
12	103299401	Nut, Press In, Front Cover, Fh .....	4
13	103300301	Bolt, Oil Pickup, Fh .....	4

7

G

**7**  
**G**



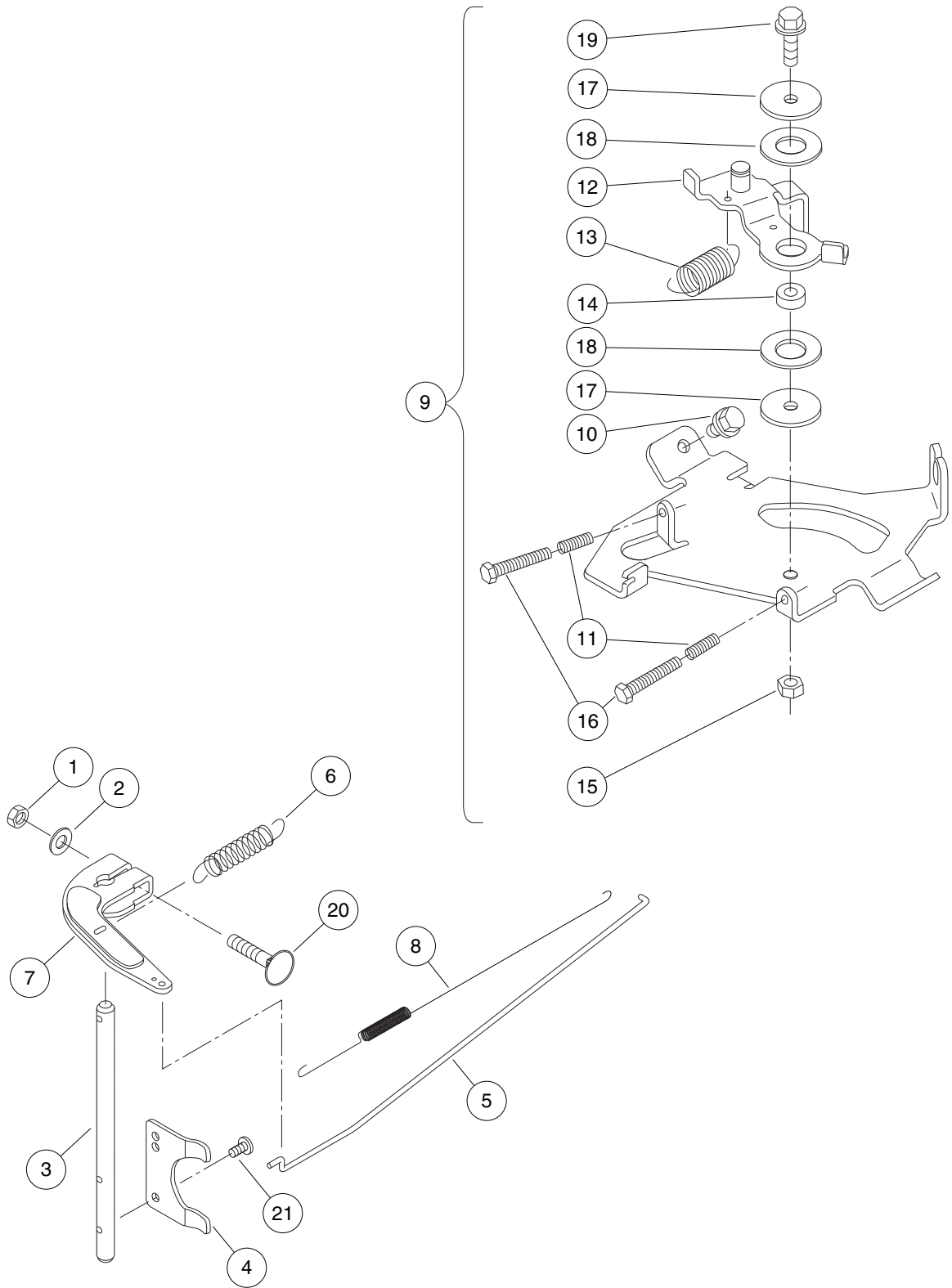
000626-001

## IGNITION COMPONENTS AND FLYWHEEL

ITEM	PART NO.	DESCRIPTION	QTY
		1 2 3 4	
1	1012871	Key .....	1
2	1016544	Screw .....	1
3	102994301	Bolt, Flg, M12 X 1.25 X 30 .....	1
4	103000401	Regulator, Voltage, Fh .....	1
5	103000501	Asm, Coil, Ignition, Fh .....	2
6	103000601	Flywheel, Assy, Fh .....	1
7	103000801	Harness, Regulator, Fh .....	1
8	103000901	Coil, Charging, Fh .....	1
9	103001301	Band, Harness, Fh .....	3
10	103001501	Washer, Flywheel, Fh .....	1
11	103298501	Bolt, Flanged, M6 X 20, Kaw .....	4
12	103299501	Harness, Ignition, Fh .....	1
13	103299601	Harness, Engine, Main, Fh .....	1
14	103299701	Switch, Oil Pressure, Fh .....	1
15	103299801	Clamp, Harness, Large, Fh .....	1
16	103299901	Clamp, Harness, Small, Fh .....	1
17	103300101	Screw, Pan, Coil Mount, Fh .....	4
18	103345501	Starter, Electric, Fh680d .....	1
19	AM1232301	Spark Plug, BPR2ES .....	2

**7**  
**G**

**7**  
**G**



000636-001



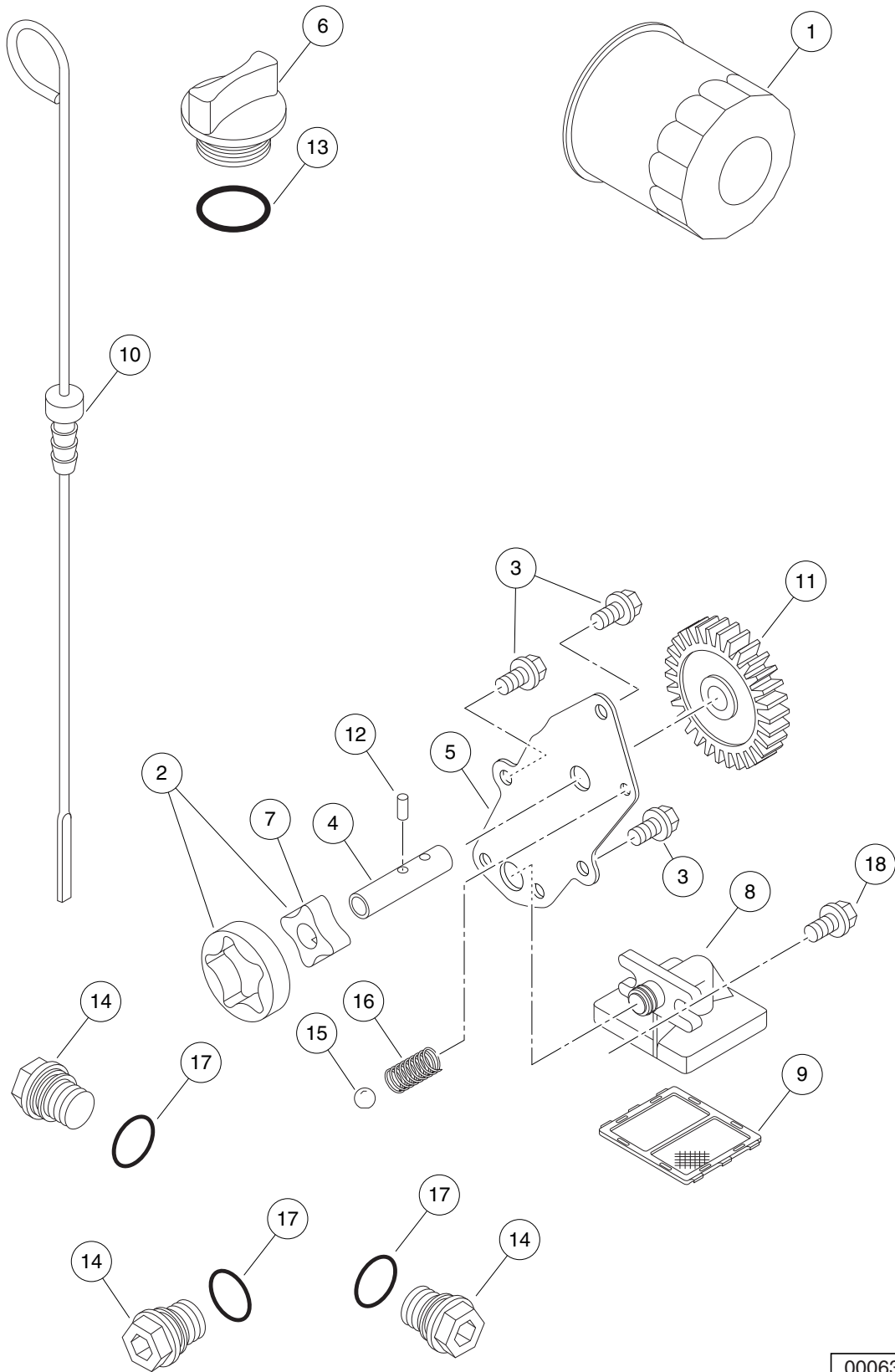
# GOVERNOR ARM AND SPRINGS

ITEM	PART NO.	DESCRIPTION	QTY
		1 2 3 4	
1	1012919	Nut -6mm- .....	1
2	1016513	Washer, M6 Flat .....	1
3	103002001	Shaft, Governor, Fh .....	1
4	103002101	Plate, Governor, Fh .....	1
5	103002301	Link, Arm, Governor, Fh .....	1
6	103002401	Spring, Governor, Fh .....	1
7	103002501	Arm, Governor, Shaft .....	1
8	103002901	Spring, Arm, Governor, Fh .....	1
9	103297701	Panel, Control, Complete, Fh (includes items 10 through 19) .....	1
10	102992401	Bolt, Flg, M6 X 1.0 X 12 .....	2
11	103002801	Spring, Fh .....	2
12	103297401	Lever, Governor, Control, Fh .....	1
13	103297501	Spring, Governor Return, Fh .....	1
14	103297601	Collar, Governor, Fh .....	1
15	103297801	Nut, Governor, Fh .....	1
16	103298001	Bolt, Speed Control, Fh .....	2
17	103298201	Washer, Governor, Lower, Fh .....	2
18	103298301	Washer, Governor, Middle, Fh .....	2
19	103298501	Bolt, Flanged, M6 X 20, Kaw .....	1
20	103298101	Bolt, M6 X 35, Kawasaki .....	1
21	103298601	Screw, Pan, Governor, Fh .....	2

**7**

**G**

**7**  
**G**



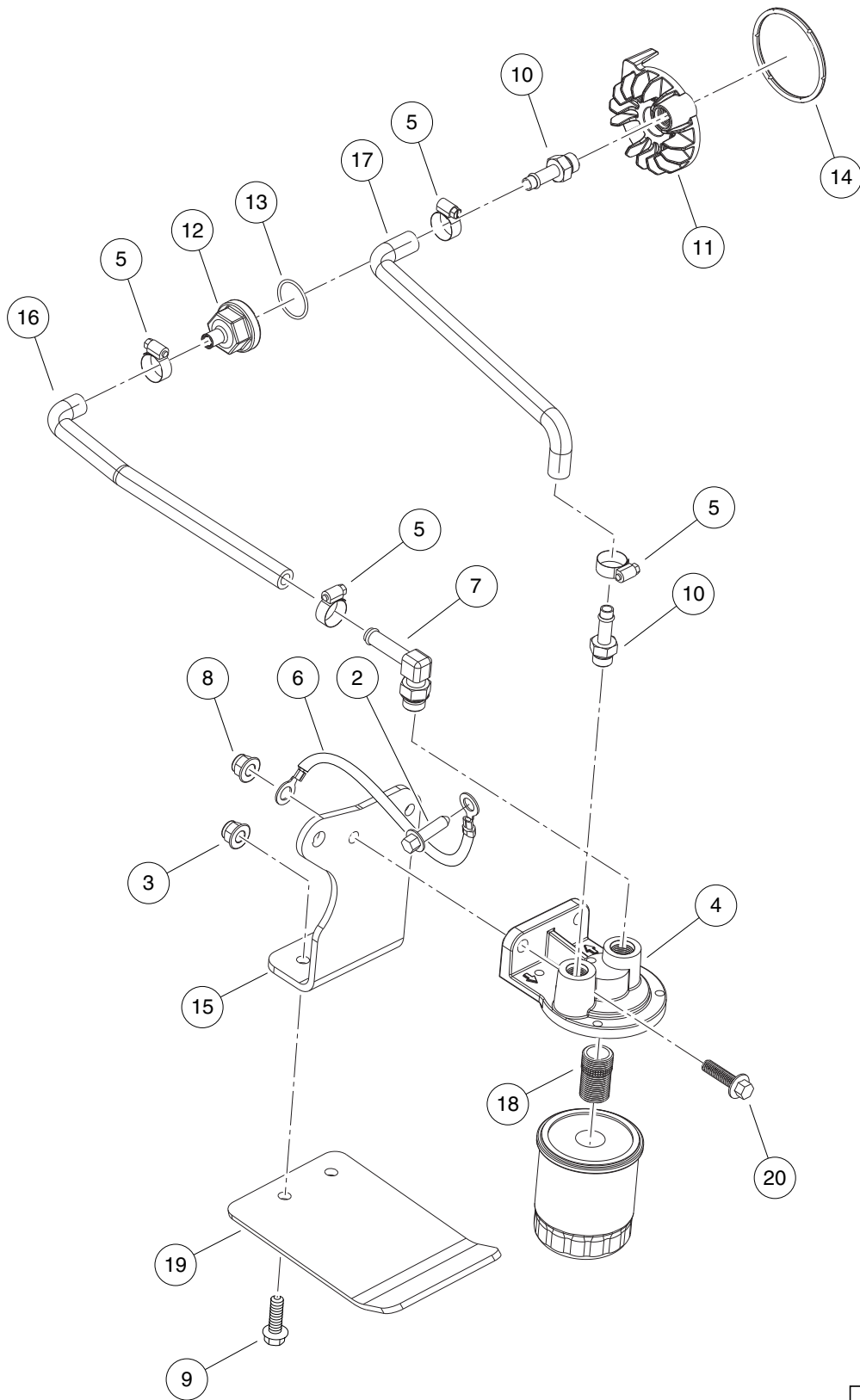
000637-001

# OIL AND LUBRICATION COMPONENTS

ITEM	PART NO.	DESCRIPTION	QTY
		1 2 3 4	
1	1016467	Filter, Oil .....	1
2	101648203	Oil Pump And Rotor .....	1
3	102992401	Bolt, Flg, M6 X 1.0 X 12 .....	3
4	102996901	Shaft, Oil Pump, Fh .....	1
5	102997001	Plate, Oil Pump, Fh .....	1
6	102997101	Cap, Oil, Fill, Fh .....	1
7	102997201	Rotor, Pump, Oil, In, Fh .....	1
8	102997401	Pickup, Oil, Fh .....	1
9	102997601	Screen, Pickup, Oil, Fh .....	1
10	102997701	Gauge, Oil, Fh .....	1
11	102997801	Gear, Spur, Oil Pump, Fh .....	1
12	102997901	Pin, Oil Pump, Fh .....	2
13	102998001	O-ring, Cap, Oil, Fill, Fh .....	1
14	102998101	Plug, Oil Drain, Fh .....	3
15	102998201	Ball, Oil Pump, Fh .....	1
16	102998301	Spring, Oil Pump, Fh .....	1
17	102998401	O-ring, Drain Plug, Oil, Fh .....	3
18	103300301	Bolt, Oil Pickup, Fh .....	2
		Note: Item 2 contains item 7.	

**7**  
**G**

**7**  
**G**



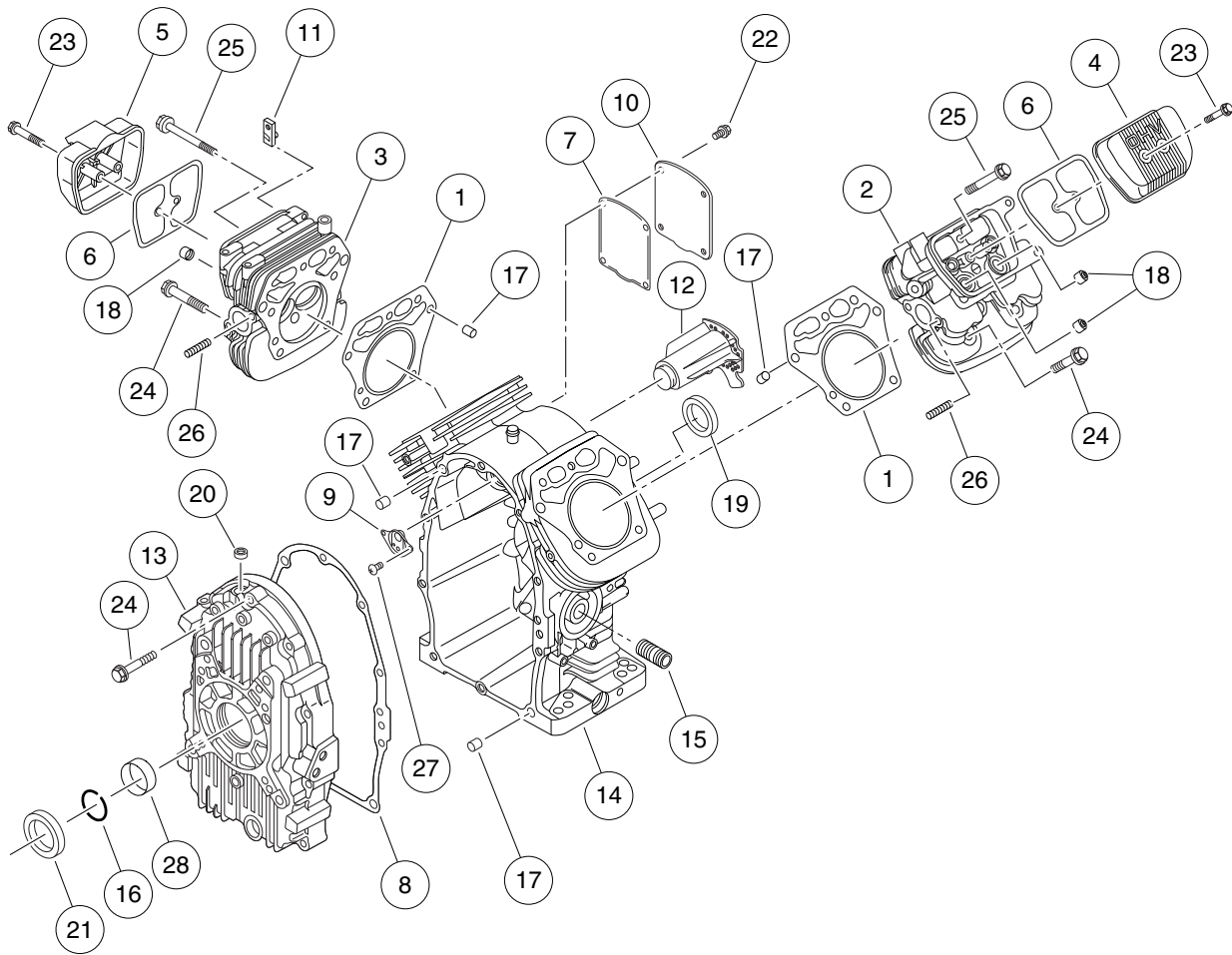
000671-001

# OIL FILTER ADAPTER

ITEM	PART NO.	DESCRIPTION	QTY
		1 2 3 4	
1	N/A	Instl, Oil Fltr Adapter Fh680d (includes items 2 through 20) .....	1
2	102289001	Screw, M8X1.25X30, Hex .....	1
3	102298401	Nut,m8,all Metal Lock .....	2
4	102371401	Bracket, Oil Filter Mount .....	1
5	102443601	Clamp, Hose .....	4
6	102448501	Wire Asm, #6 Blk, Awd, 325 .....	1
7	102457501	Adapter, 90, 3/8 Tube .....	1
8	102618601	Lock Nut, Flg M8 X 1.25 Nylon .....	2
9	102621301	Bolt, M8 X 1.25 X 40 with Loctite .....	2
10	102722001	Adapter, 5/16 Hose .....	2
11	102958301	Adapter, Special, Oil Filter .....	1
12	102958401	Nut, Special, Hose Adapter .....	1
13	102958501	O-ring, 23.52 X 1.78mm .....	1
14	102958601	O-ring, Oil Filter Adapter .....	1
15	103197201	Bracket, Oil Filter, Fh680d .....	1
16	103240601	Hose, Formed, Oil, 5/16" .....	1
17	103246901	Hose, Formed, Oil, 5/16", Ret .....	1
18	103276201	Nipple, 3/4-16 X M20 X 1.5-6g .....	1
19	103326401	Guard, Oil Filter, Fh680d .....	1
20	96705587	Bolt, M8 X 1.25 X 30 .....	2

7

G



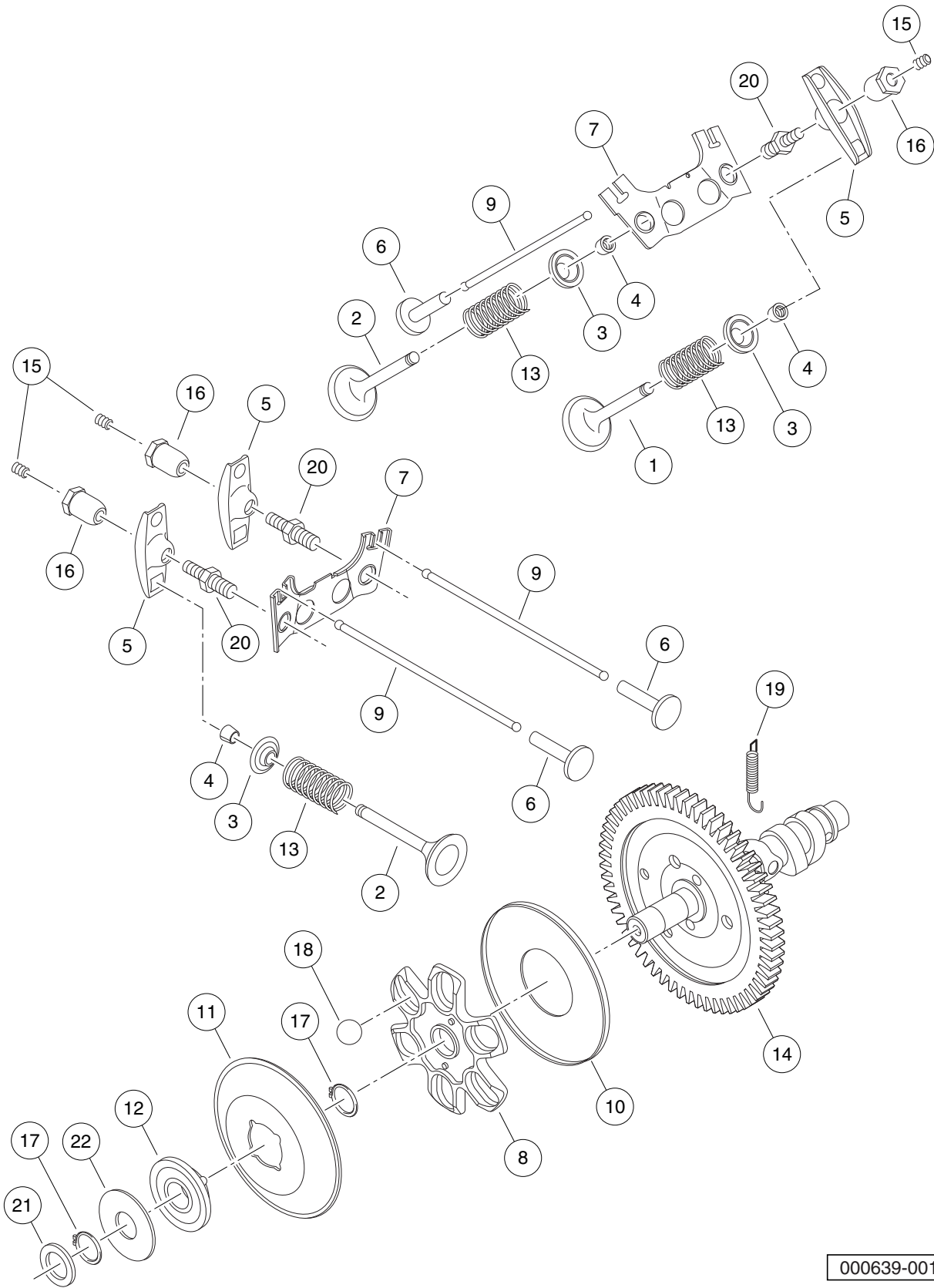
000638-001

# CYLINDER HEAD AND CRANKCASE

ITEM	PART NO.	DESCRIPTION	QTY
		<b>1 2 3 4</b>	
1	102990101	Gasket, Head, Cyl, Fh .....	2
2	102990201	Head, Cyld 1, Fh .....	1
3	102990301	Head, Cyld 2, Fh .....	1
4	102990401	Cover, Rocker, Cyld 1, Fh .....	1
5	102990501	Cover, Rocker, Cyld 2, Fh .....	1
6	102990601	Gasket, Rocker, Cover, FH .....	2
7	102990701	Gasket, Breather, Fh .....	1
8	102990801	Gasket, Cover, Crank, Fh .....	1
9	102990901	Valve, Assy, Reed, Fh .....	1
10	102991101	Cover, Crkcase, Comp, Fh .....	1
11	102991201	Pipe, Head, Comp, Clyd, Fh .....	1
12	102991301	Pipe, Crkcase, Comp, Fh .....	1
13	102991401	Cover, Crankcase, Fh .....	1
14	102991501	Crankcase, Comp, Fh .....	1
15	102991601	Nipple, Oil Filter, Fh .....	1
16	102991801	Ring, Snap, Fh .....	1
17	102991901	Pin, Head, Fh .....	6
18	102992001	Seal, Oil, Valve, Fh .....	4
19	102992101	Seal, Oil, Crank, Rear, Fh .....	1
20	102992201	Seal, Oil, Governor, Fh .....	1
21	102992301	Seal, Oil, Crank, Front, Fh .....	1
22	102992401	Bolt, Flg, M6 X 1.0 X 12 .....	4
23	102992601	Bolt, Flg, M6 X 1.0 X 40 .....	4
24	102992701	Bolt, Flg, M8 X 1.25 X 50 .....	18
25	102992801	Bolt, Flg, M8 X 1.25 X 75 .....	2
26	102992901	Stud, M8 X 1.25, Exhaust, Fh .....	4
27	103298601	Screw, Pan, Governor, Fh .....	2
28	103298901	Bushing, Main, Fh .....	1

**7**  
**G**

**7**  
**G**



000639-001

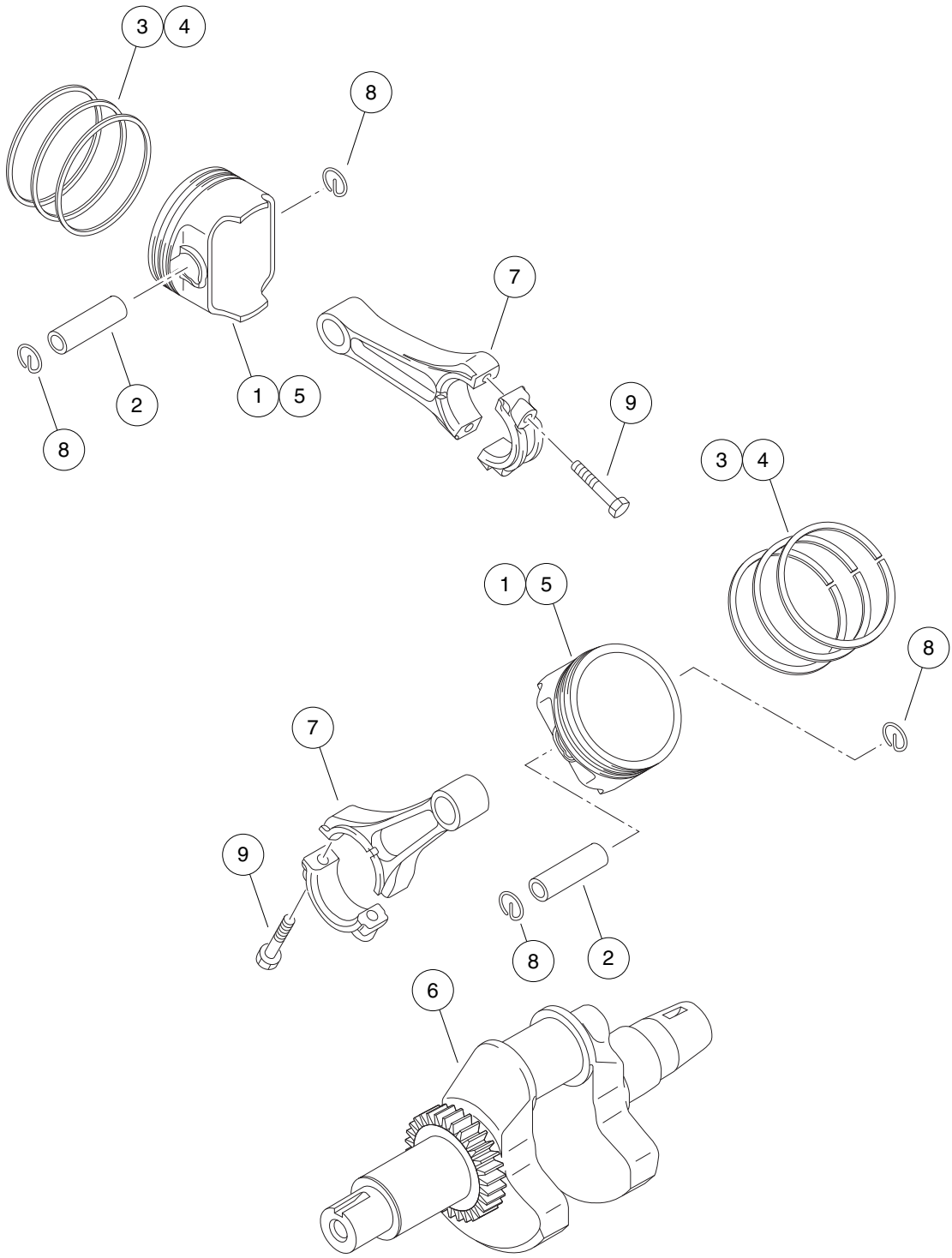


# VALVES AND CAMSHAFT

ITEM	PART NO.	DESCRIPTION	QTY
		1 2 3 4	
1	102994601	Valve, Intake, Fh .....	2
2	102994701	Valve, Exhaust, Fh .....	2
3	102994801	Retainer, Valve Spring, Fh .....	4
4	102994901	Collet, Spring, Valve, Fh .....	8
5	102995001	Arm, Rocker .....	4
6	102995101	Tappet, Rod, Push, Fh .....	4
7	102995201	Guide, Arm, Rocker, Fh .....	2
8	102995301	Guide, Camshaft, Gov, Fh .....	1
9	102995401	Rod, Push, Fh .....	4
10	102995501	Plate, Camshaft, Gov, Fh .....	1
11	102995601	Plate, Ring, Gov, Fh .....	1
12	102995701	Sleeve, Plate, Gov, Fh .....	1
13	102995801	Spring, Valve, Fh .....	4
14	102995901	Kit, Camshaft, Comp, Fh .....	1
15	102996001	Screw, Rocker Arm, Fh .....	4
16	102996101	Nut, Arm, Rocker, Fh .....	4
17	102996201	Ring, Snap, Gov, Fh .....	2
18	102996301	Ball, Guide, Gov, Fh .....	6
19	102996401	Spring, Camshaft, Fh .....	1
20	102996501	Stud, Rocker Arm, Fh .....	4
21	102996601	Washer, Sleeve, Gov, Fh .....	1
22	102996701	Washer, Gov, Fh .....	1

7  
G

**7**  
**G**



000640-001

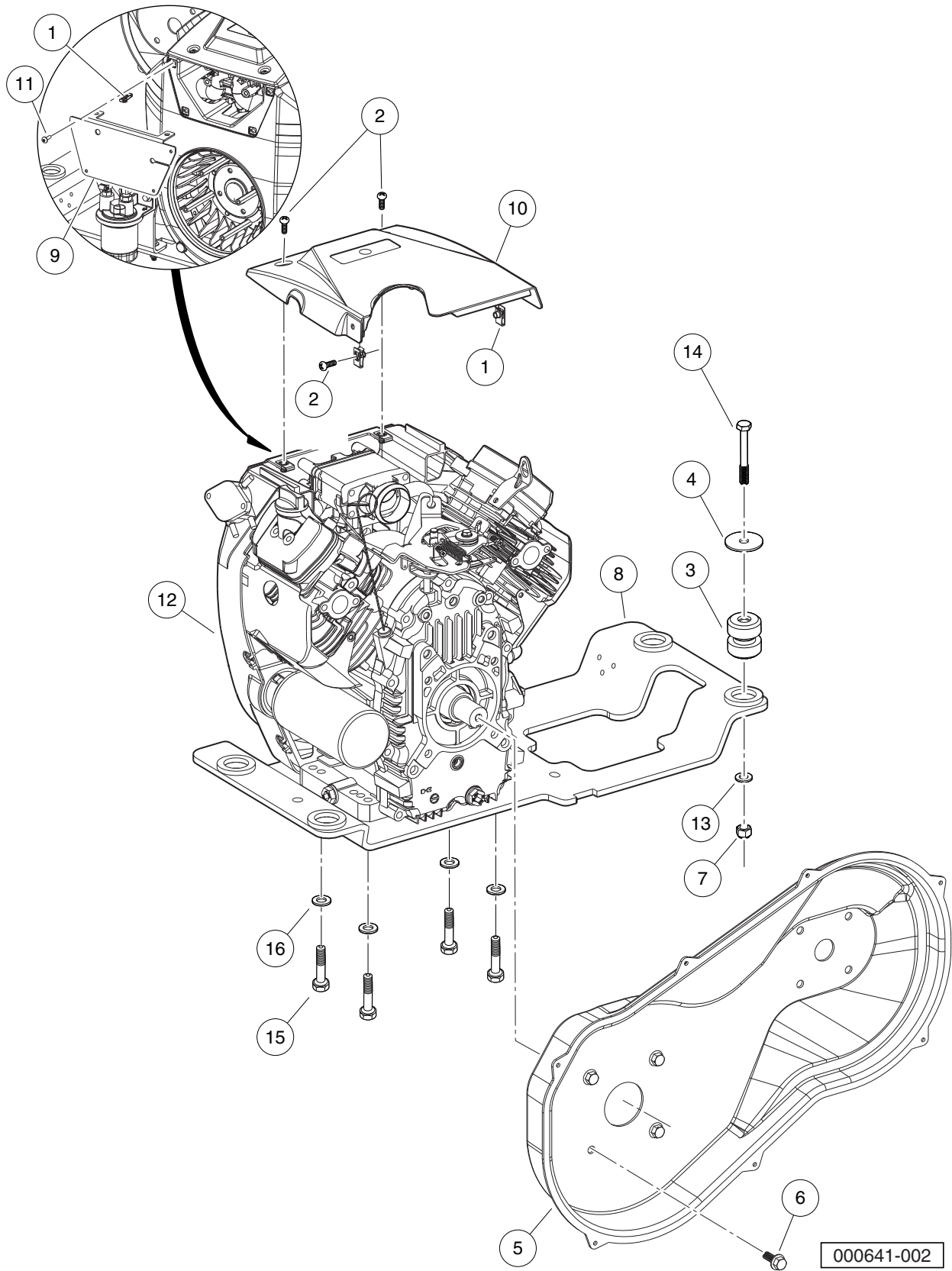
# PISTONS AND CRANKSHAFT

ITEM	PART NO.	DESCRIPTION	QTY
		1 2 3 4	
1	102993201	Piston, Engine, Right, Fh .....	2
2	102993301	Pin, Piston, Engine, Fh .....	2
3	102993401	Ring, Set, Piston, Fh .....	2
4	102993501	Ring, Set, Piston L, 0.50, Fh .....	1
5	102993601	Piston, Engine L, 0.50, Fh .....	1
6	102993701	Crankshaft, Comp, Fh .....	1
7	102993901	Kit, Rod, Connecting, Fh .....	2
8	102994101	Ring, Snap, Pin, Piston, Fh .....	4
9	102994401	Bolt, Flg, M6 X 1.00 X 35 .....	4

7

G

**7**  
**G**



000641-002

# KAWASAKI FH680D GASOLINE ENGINE MOUNTING

ITEM	PART NO.	DESCRIPTION	QTY
		1 2 3 4	
1	102296601	U-nut, M6-1.0 Prev Torque .....	4
2	102296920	Screw, M6 Torx Bttn Hd Sems .....	4
3	102370501	Isolator Ring and Bushing .....	4
4	102370601	Washer, Snubbing, Ring N Bush .....	4
5	N/A	Cover, CVT Inner, FH680D .....	1
6	102491001	Bolt Flanged Head, 3/8-16x1.0 with Loctite .....	4
7	102740401	Locknut, M12x1.75 Nylon Insert .....	4
8	102951901	Weldment, Eng Mnt, Kaw, Fh680d .....	1
9	103208701	Engine, Front Cover, Fh680d .....	1
10	103262901	Cover, Engine, Top .....	1
11	103279201	Screw, Pn Hd Blk, 10-16 X .625 .....	4
12	103528201	Engine, Kawasaki, FH680D .....	1
13	96701412	Washer, M12 Hard .....	4
14	96704721	Bolt, M12 X 1.75 X 90 .....	4
15	96704960	Bolt, M10 X 1.5 X 60 .....	4
16	96741046	Washer, M10 Hard .....	4

**7**  
**G**

7

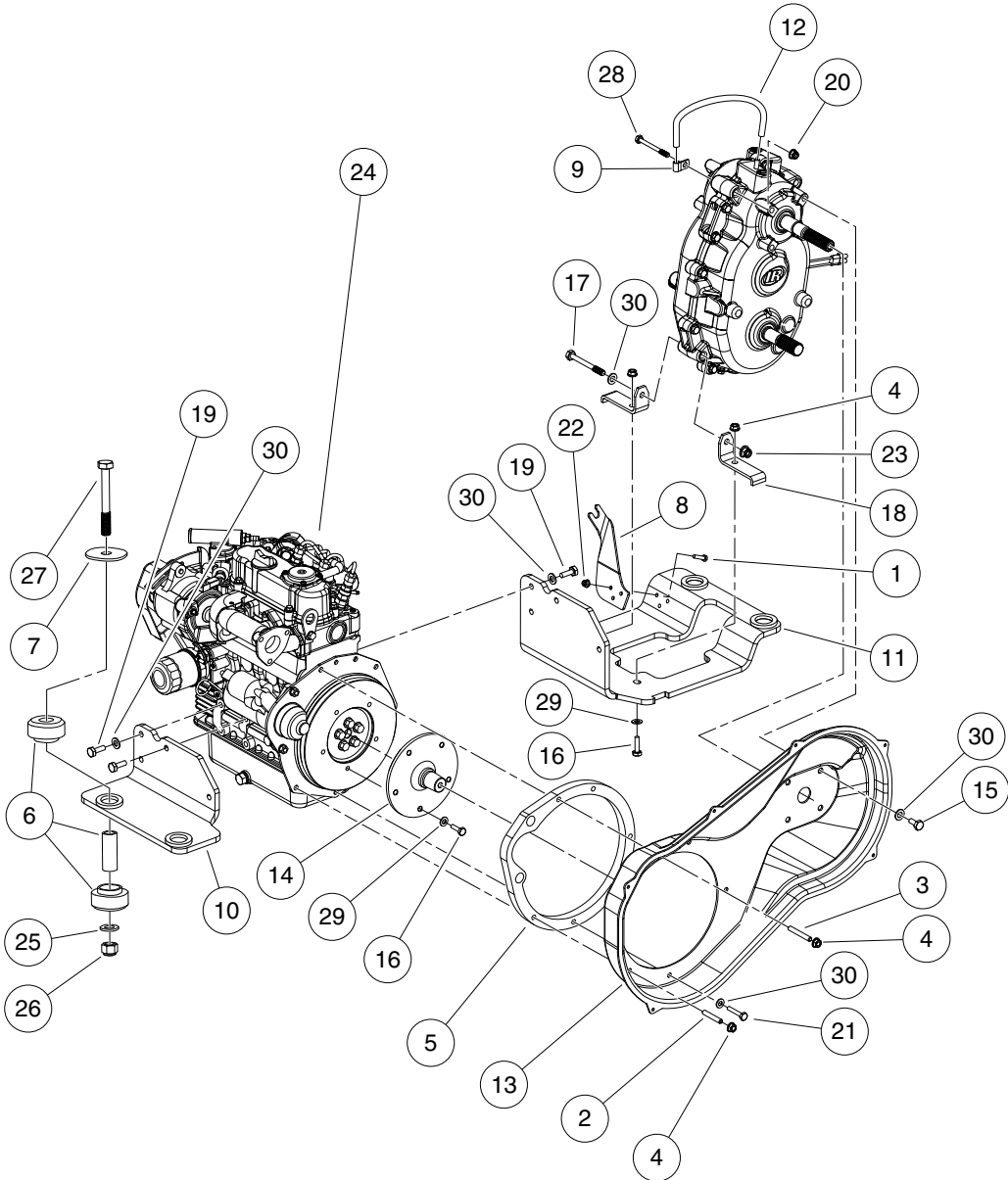
G

# DIESEL ENGINE – CLOSED BREATHER

---

8

*D*



000025-002

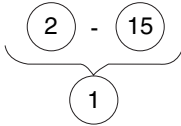
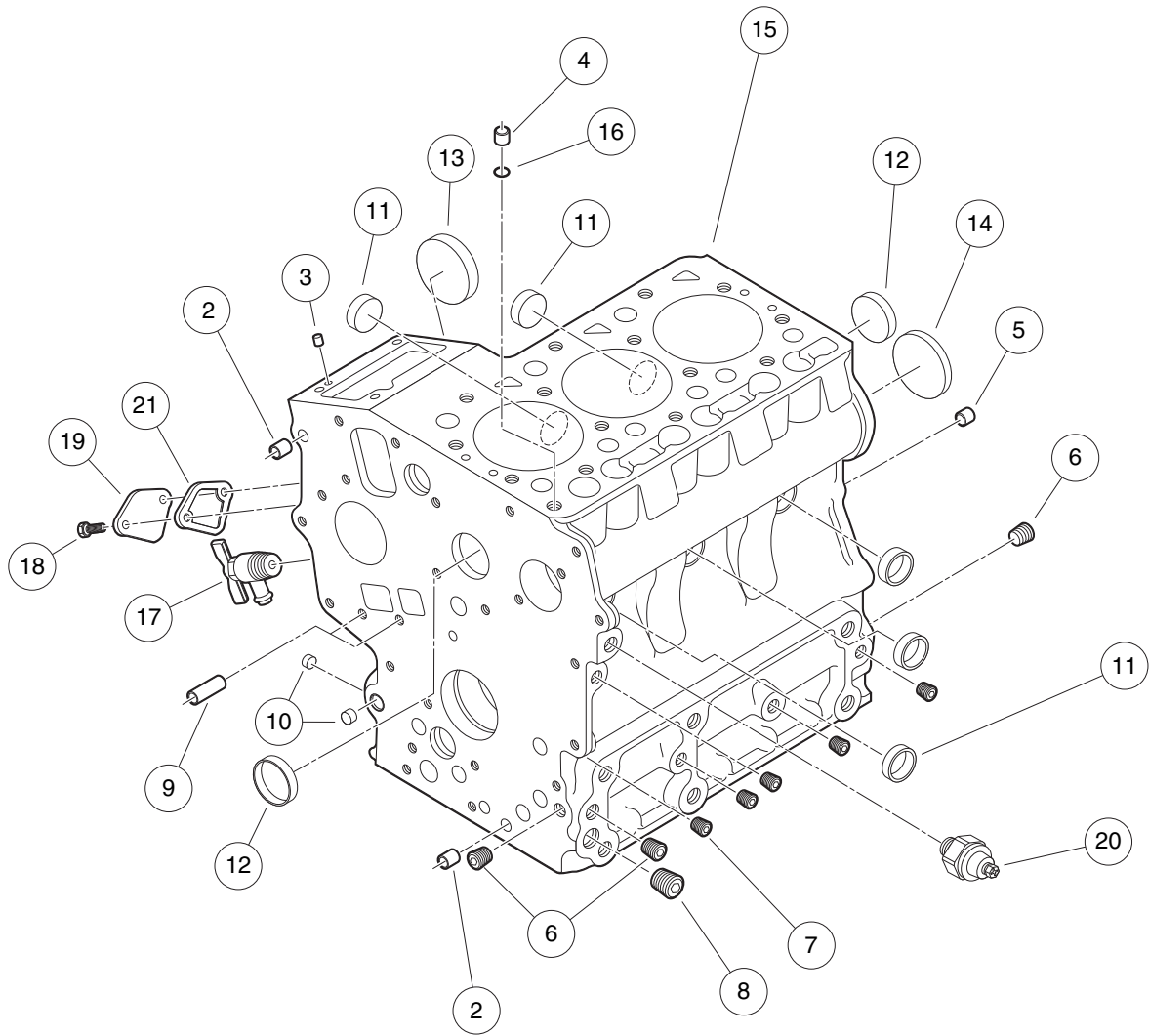


# KUBOTA D722 DIESEL ENGINE MOUNTING

ITEM	PART NO.	DESCRIPTION	QTY
		<b>1 2 3 4</b>	
1	1012769	Screw, M6-1.00 X 25mm Hex Cap .....	3
2	101833101	Stud, M8-1.25 X 50 mm Two-Ended .....	1
3	101833201	Stud, M8-1.25 X 60mm Two-Ended .....	1
4	102298401	Nut,m8,all Metal Lock .....	7
5	102370101	Spacer, Engine, Diesel .....	1
6	102370501	Isolator Ring and Bushing .....	4
7	102370601	Washer, Snubbing, Ring N Bush .....	4
8	102382401	Bracket, FNR Trans Cable .....	1
9	102410603	P-Clamp, Insulated .312 In .....	1
10	102414701	Plate, Engine Mounting, Weld, Left-Hand .....	1
11	102414801	Plate, Engine Mounting, Weld, Right-Hand .....	1
12	102462301	Hose, Vent, Transmission .....	1
13	102462501	Cover, CVT Inner, Diesel .....	1
14	102465901	Shaft, CVT Adapter .....	1
15	102490101	Bolt, M10 X 1.5 X 20 Loctite .....	4
16	102490201	Bolt, M8 X 1.25 X 25 Loctite .....	7
17	102490501	Bolt, M10 X 1.5 X 100 Loctite .....	1
18	102494401	Bracket, Transmission Mounting .....	2
19	102498201	Bolt, M10 X 1.25 X 25 Loctite .....	8
20	102618601	Lock Nut, Flg M8 X 1.25 Nylon .....	1
21	102621301	Bolt, M8 X 1.25 X 40 with Loctite .....	3
22	102621501	Nut Flg, M6 X 1.0 Nylon .....	3
23	102670701	Nut Flg M10 X 1.5 Nylon .....	1
24	102934601	Engine, Kubota, D722, with Closed Breather, 60a .....	1
25	96701412	Washer, M12 Hard .....	4
26	96704622	Locknut, M12x1.75 Nylon Insert .....	4
27	96704721	Bolt, M12 X 1.75 X 90 .....	4
28	96718978	Bolt, M8 X 1.25 X 80 .....	1
29	96741038	Washer, M8 Hard .....	10
30	96741046	Washer, M10 Hard .....	12

**8**

**D**



000039-001

# CRANKCASE

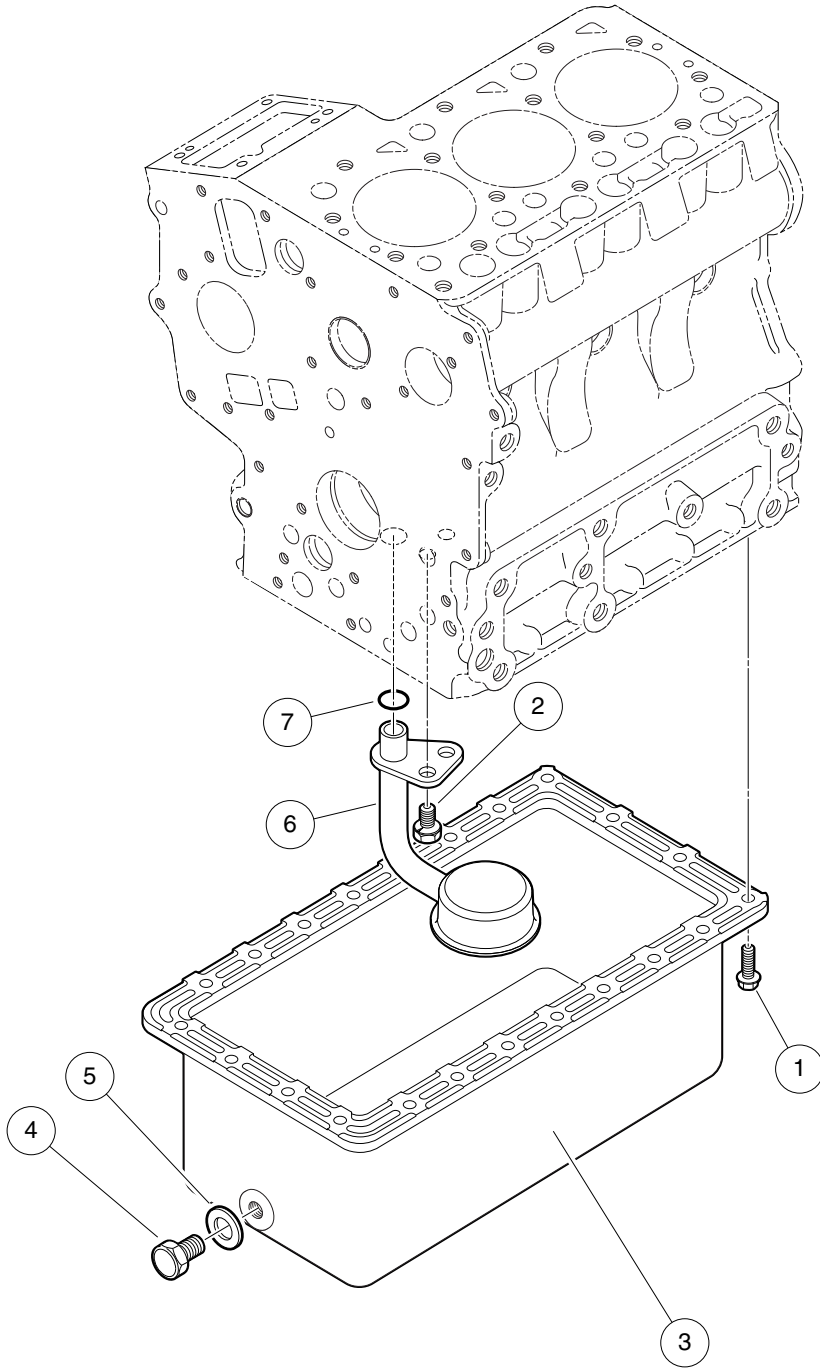
**8**

**D**

ITEM	PART NO.	DESCRIPTION	QTY
		<b>1 2 3 4</b>	
1	102600001	Engine Block (includes items 2 through 15) .....	1
2	102600101	Pin, Pipe, Dia 8 X 14 .....	2
3	102600201	Pin, Straight, Dia 5 X 10 .....	2
4	102600401	Pin, Pipe, Dia 7 X 14 .....	1
5	102600601	Pin, Straight, Dia 8 X 16 .....	2
6	102600701	Plug, 1/8" .....	3
7	102600801	Plug, 3/32" .....	5
8	102601001	Plug, 1/4" .....	1
9	102601301	Pin, Pipe, Dia 8 X 11 .....	2
10	102726201	Cap, Sealing, Small .....	3
11	102726301	Cap, Sealing, Med .....	5
12	102726401	Cap, Sealing, Large .....	2
13	102726501	Cover, Fuel Camshaft .....	1
14	102726601	Plug, Expansion .....	1
15	N/A	Block, Engine .....	1
16	102600301	O Ring, 8 X 7 .....	1
17	102601401	Cock, Drain .....	1
18	102631601	Bolt, M6 X 1 X 20 .....	2
19	N/A	Plate, Engine Block .....	1
20	102730801	Switch, Oil Pressure .....	1
21	102732601	Gasket, Fuel Pump, D722 .....	1

8

D



000040-001

# OIL PAN

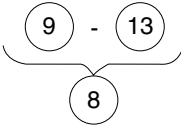
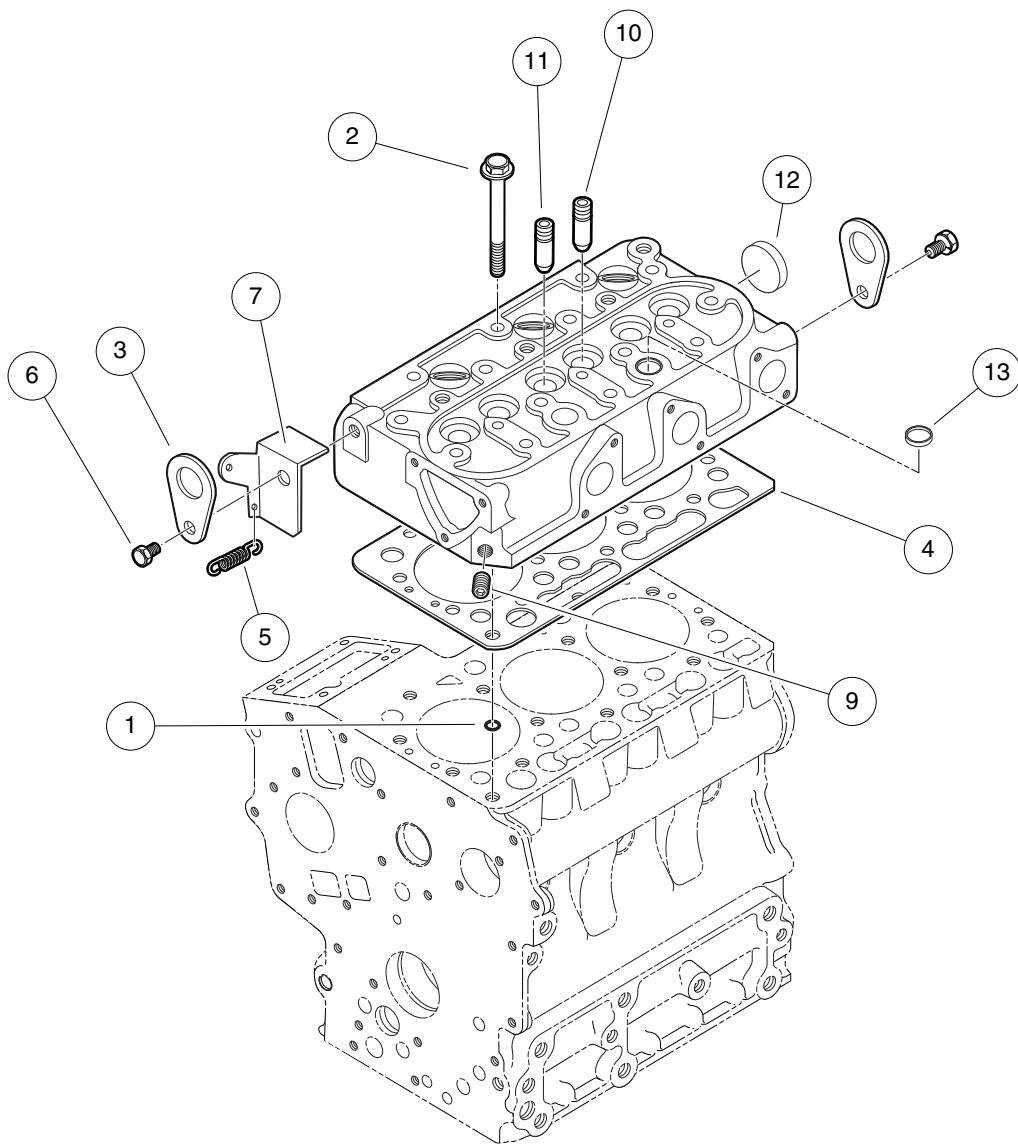
ITEM	PART NO.	DESCRIPTION	QTY
		<b>1 2 3 4</b>	
1	102605101	Bolt, M6 X 1 X 14 .....	22
2	102606901	Bolt, M8 X 1.25 X 15 .....	1
3	102607001	Oil Pan .....	1
4	102607201	Plug, Drain, M12 X 14 .....	1
5	102607301	Gasket, 20 X 13 .....	1
6	102607401	Filter, Oil, Pick Up .....	1
7	102654601	O Ring, 20 X 17 .....	1

**8**

**D**

8

D



000041-002

# CYLINDER HEAD

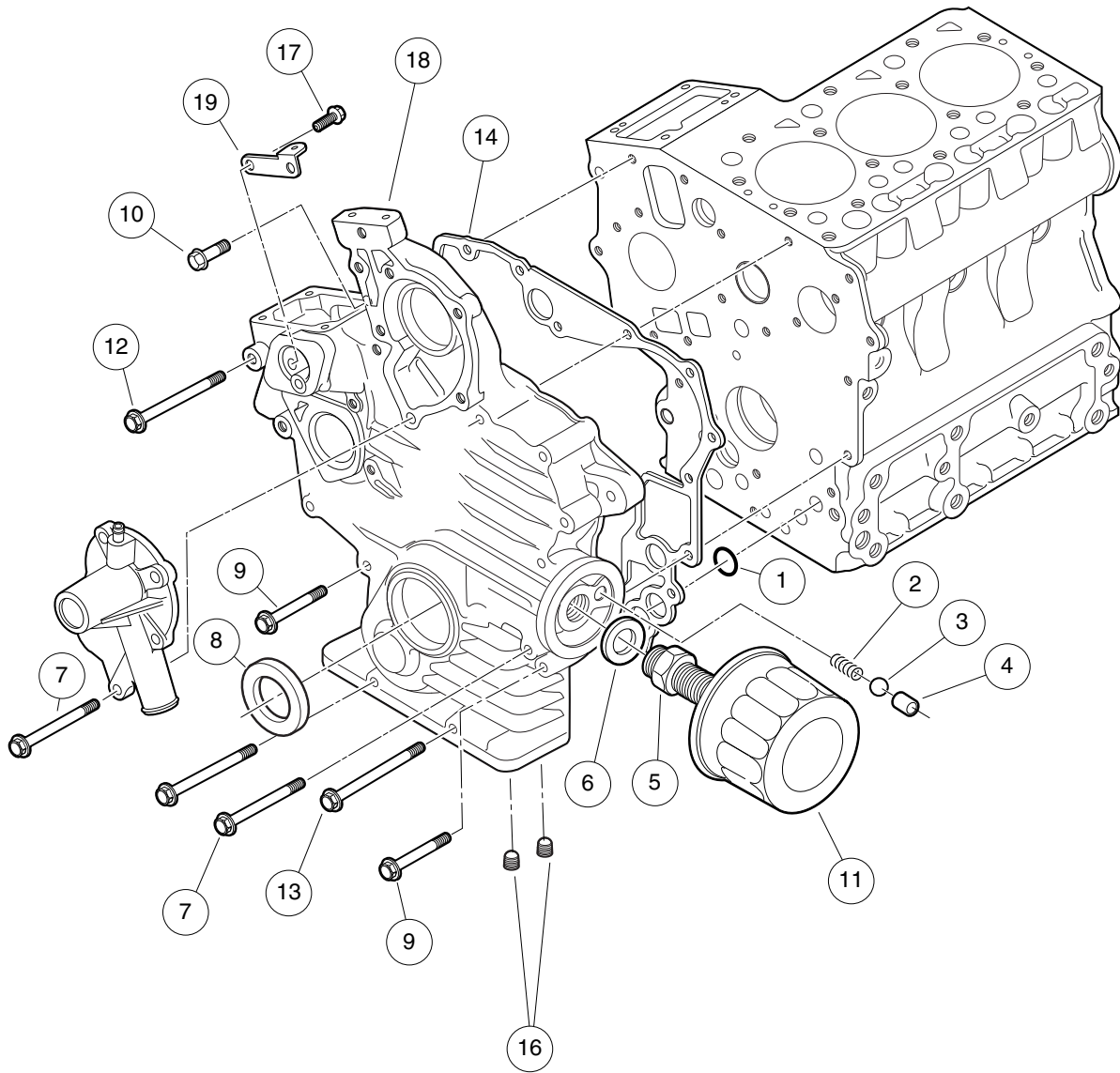
ITEM	PART NO.	DESCRIPTION	QTY
		<b>1 2 3 4</b>	
1	102600301	O Ring, 8 X 7 .....	1
2	102652801	Bolt, Cylinder Head .....	14
3	102653901	Hook, Engine .....	2
4	102654101	Gasket, Cylinder Head .....	1
5	102701001	Spring, Start .....	1
6	102726701	Bolt, Engine Hook .....	2
7	102727101	Stay, Cylinder Head .....	1
8	102798001	Head, Cylinder, Complete (includes items 9 through 13) .....	1
9	102600801	Plug, 3/32" .....	1
10	102653401	Guide, Exhaust Valve .....	3
11	102653501	Guide, Inlet Valve .....	3
12	102726901	Cap, Sealing, Head .....	1
13	102727001	Cap, Sealing, Head, Top .....	2

**8**

**D**

8

D



000042-002



# GEAR CASE

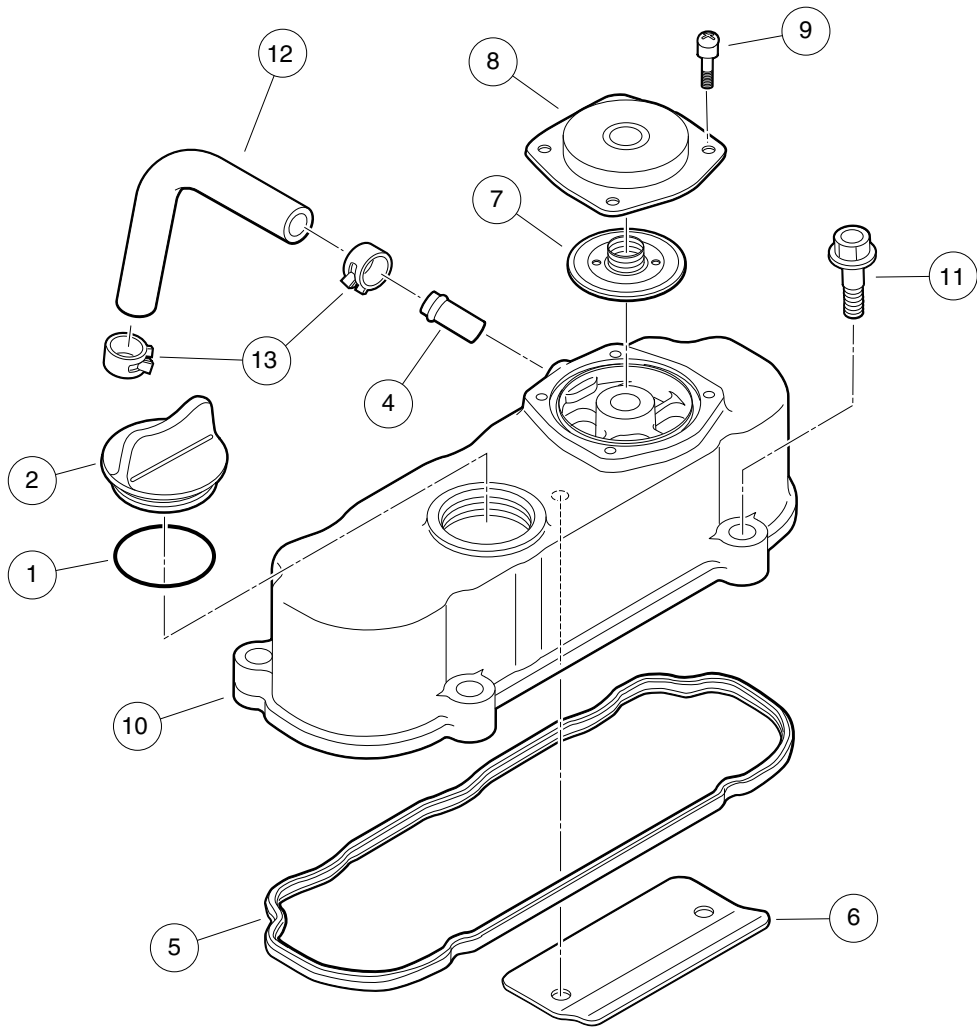
8

D

ITEM	PART NO.	DESCRIPTION	QTY
		<b>1 2 3 4</b>	
1	102601801	O Ring, 18 X 13 .....	3
2	102601901	Spring, Valve .....	1
3	102602001	Ball, Valve .....	1
4	102602101	Seat, Valve .....	1
5	102602301	Joint, Pipe .....	1
6	102602401	Washer, Plain, Special .....	1
7	102602601	Bolt, M6 X 1 X 60 .....	2
8	102602701	Seal, Oil .....	1
9	102602801	Bolt, D722, Front Case .....	9
10	102654301	Bolt, D722 Intake Manfld Lower .....	1
11	102703301	Filter, Engine Oil, D722 .....	1
12	102727401	Bolt, Gearcase, Top .....	2
13	102727501	Bolt, Gearcase, Lower .....	1
14	102729301	Gasket, Gearcase, D722 .....	1
15	N/A	Case, Gear (includes items 16 through 19) .....	1
16	102601001	Plug, 1/4" .....	2
17	102727601	Screw, Breather .....	2
18	N/A	Case, Gear .....	1
19	102798201	Stay, Spring .....	1

8

D



000181-001

# HEAD COVER

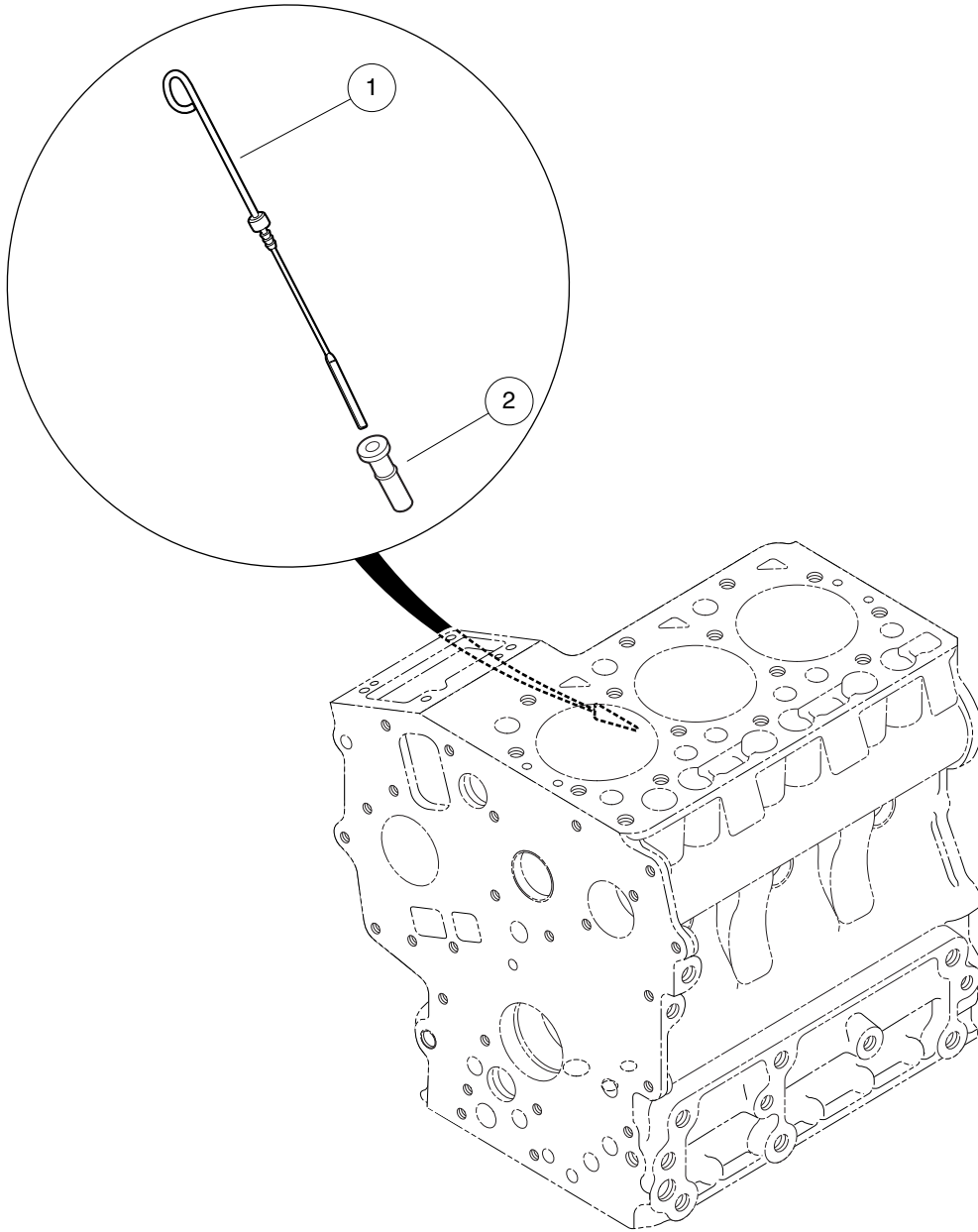
ITEM	PART NO.	DESCRIPTION	QTY
		<b>1 2 3 4</b>	
1	102644001	O Ring, 30 X 36 .....	1
2	102644101	Plug, Oil Filler .....	1
3	102798401	Assembly, Cylinder Head Cover (includes items 4 through 10) .....	1
4	102633301	Pipe, Water Return, D722 .....	1
5	102798501	Gasket, Cylinder Head Cover .....	1
6	102798601	Shield, Breather .....	1
7	102799001	Valve, Breather .....	1
8	102799101	Cover, Breather .....	1
9	102799201	Screw, Breather .....	4
10	N/A	Cover, Cylinder Head .....	1
11	102798701	Bolt, Cylinder Head Cover .....	4
12	102798801	Tube, Breather .....	1
13	102798901	Clamp, Breather Tube .....	2

**8**

**D**

8

D



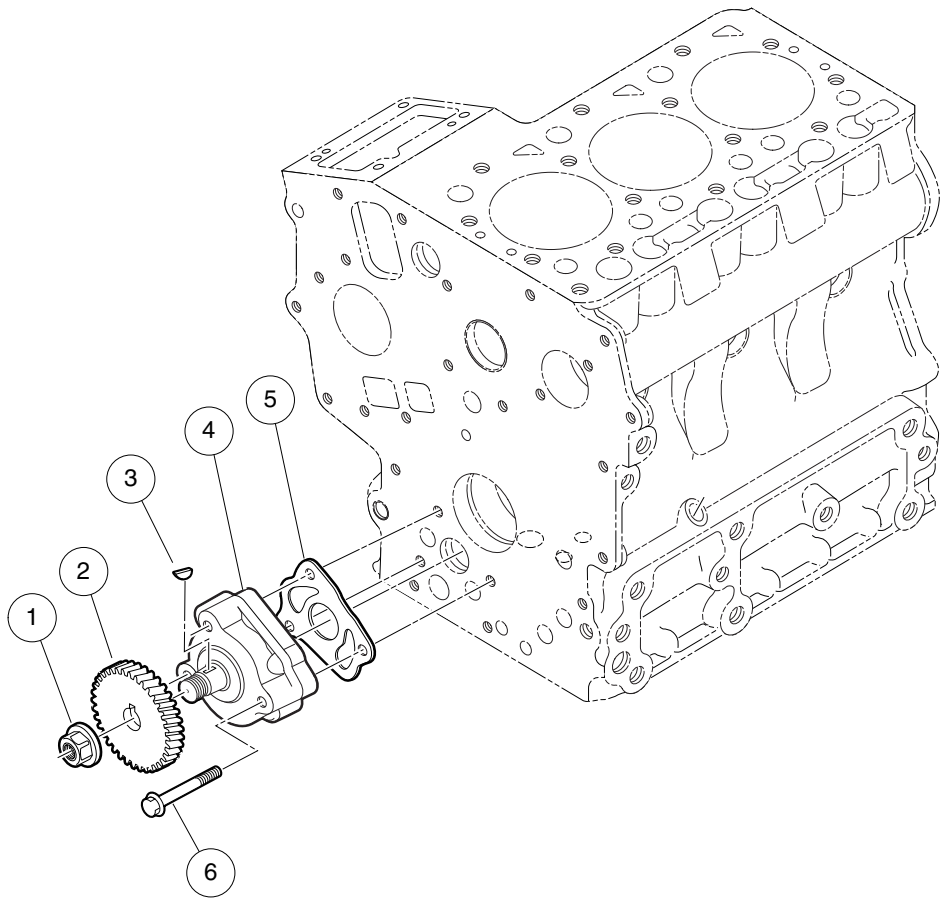
000044-002

# DIPSTICK AND GUIDE

ITEM	PART NO.	DESCRIPTION	QTY
1	102606701	1 2 3 4 Gauge, Oil .....	1
2	102727701	Guide, Oil Gauge .....	1

**8**

**D**



000045-001

# OIL PUMP

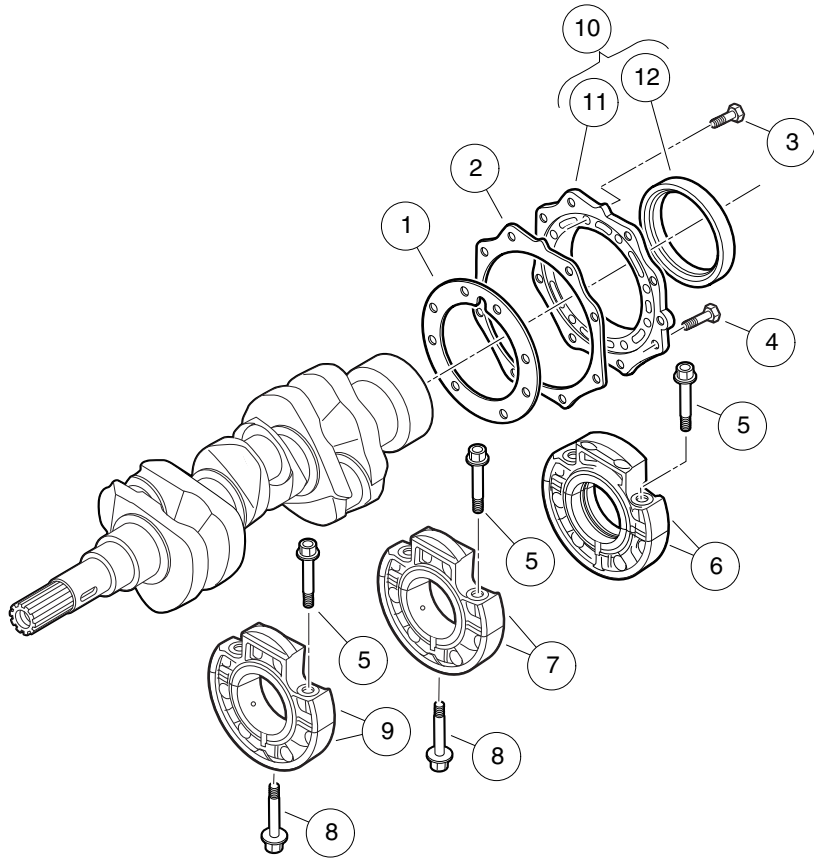
ITEM	PART NO.	DESCRIPTION	QTY
		<b>1 2 3 4</b>	
1	102606201	Nut, Flange, D722 Oil Pump .....	1
2	102606301	Gear, Oil Pump Drive .....	1
3	102606401	Key, Feather, 8x4 .....	1
4	102606501	Assy, Pump, Oil .....	1
5	102606601	Gasket, Oil Pump .....	1
6	102727901	Bolt, Oil Pump .....	3

**8**

**D**

8

D



000046-001



# MAIN BEARING CASE

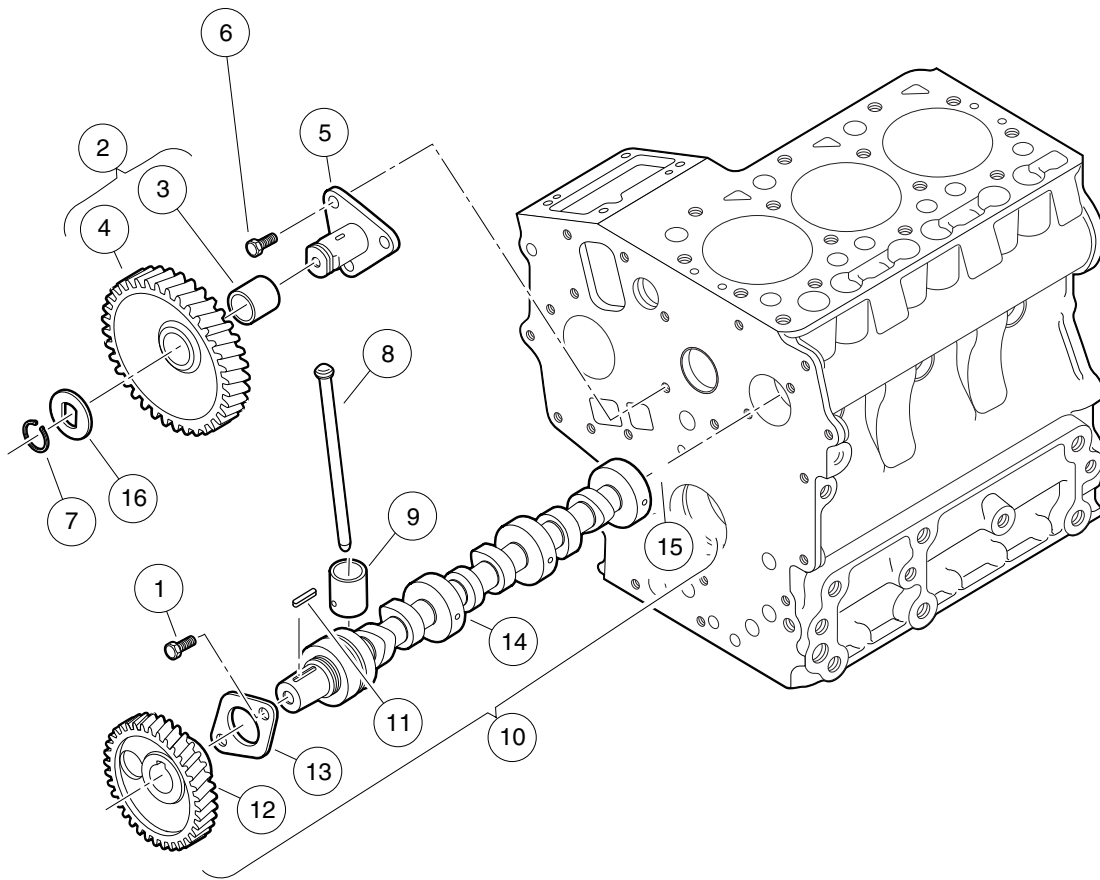
ITEM	PART NO.	DESCRIPTION	QTY
		<b>1 2 3 4</b>	
1	102608201	Gasket, Bearing Case .....	1
2	102608301	Gasket, Cover .....	1
3	102608601	Bolt, M6 X 1 X 20 .....	8
4	102608701	Bolt, M6 X 1 X 22 .....	8
5	102608901	Bolt, Bearing Case, Top .....	6
6	102609101	Assy Case, Main Brg, First .....	1
7	102609301	Assy Case, Main Brg, Sec .....	1
8	102609401	Bolt, Bearing Case, Bottom .....	2
9	102609601	Assy Case, Main Brg, Third .....	1
10	102728001	Assy, Cover, Bearing Case (includes items 11 and 12) .....	1
11	102608401	Cover, Bearing Case .....	1
12	102608501	Seal, Oil .....	1

8

D

8

D



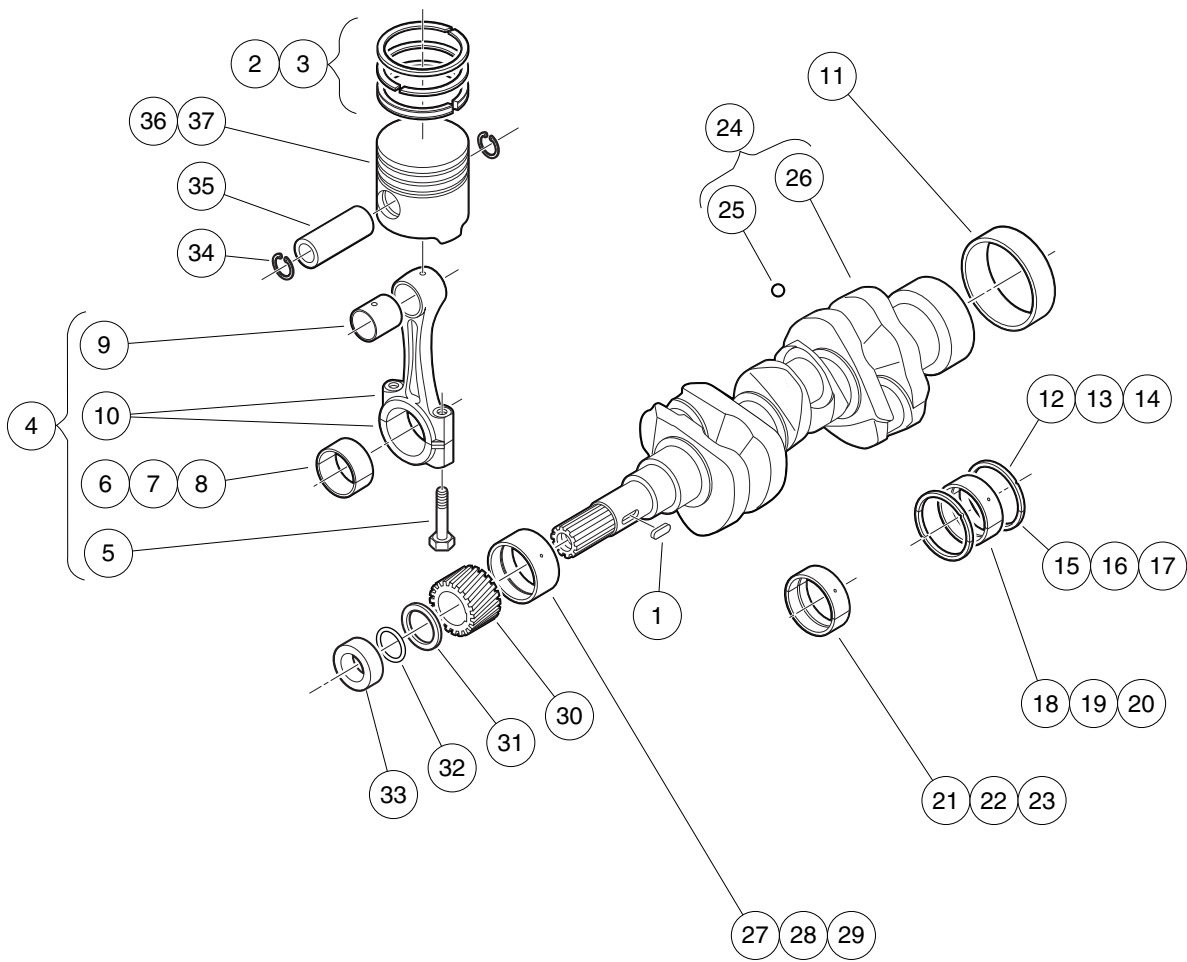
000047-002

## CAMSHAFT AND IDLE GEAR

ITEM	PART NO.	DESCRIPTION	QTY
		<b>1 2 3 4</b>	
1	102604201	Bolt, D722, Cam End .....	2
2	102604901	Gear, Idle (includes items 3 and 4) .....	1
3	102603201	Bushing, D722 Idle Gear .....	1
4	N/A	Gear, Idle .....	1
5	102605001	Shaft, Idle Gear .....	1
6	102605101	Bolt, M6 X 1 X 14 .....	3
7	102605301	Ring, Snap .....	1
8	102605401	Push Rod .....	6
9	102605501	Tappet .....	6
10	102605801	Assy Camshaft, Long (includes items 11 through 15) .....	1
11	102605601	Key, Feather, Long Camshaft .....	1
12	102605901	Gear, Cam .....	1
13	102606001	Stopper, Camshaft .....	1
14	N/A	Camshaft .....	1
15	102799401	Ball, Check .....	1
16	102654401	Collar, Idle Gear .....	1

**8**

**D**



000048-002

# PISTON AND CRANKSHAFT

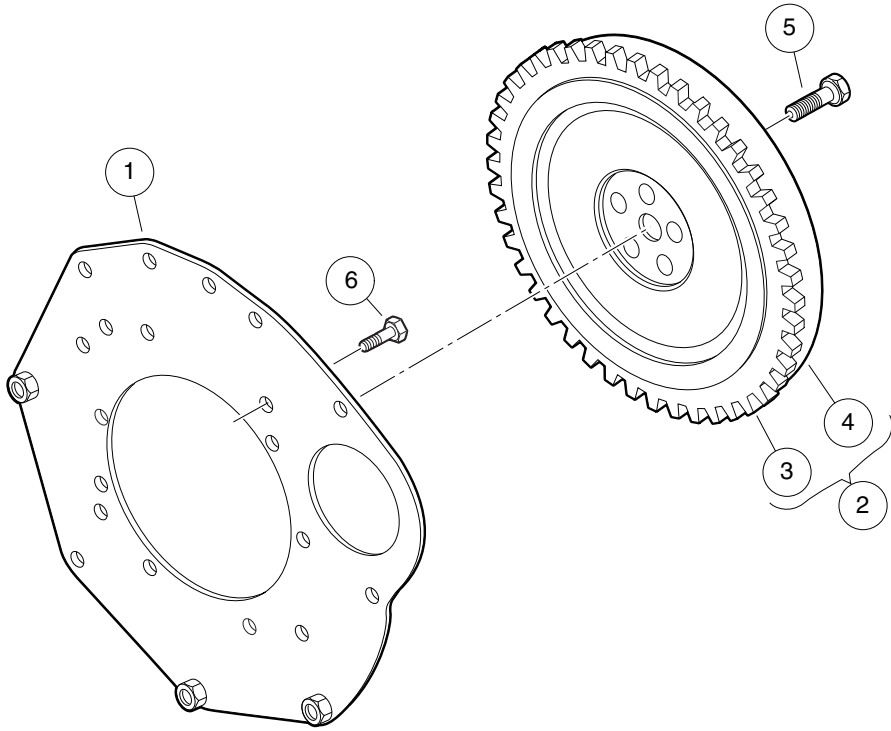
ITEM	PART NO.	DESCRIPTION	QTY
		<b>1 2 3 4</b>	
1	102604401	Key, Feather, Short Camshaft .....	1
2	102607601	Assy Piston Ring, D722 Std .....	3
3	102607602	Assy Piston Ring, D722 +.025 .....	3
4	102607801	Assy, Connecting Rod (includes items 5 through 10) .....	3
5	102607901	Bolt, Connecting Rod .....	6
6	102630701	Metal, Crank, Rod, D722, Std .....	3
7	N/A	Metal, Crank, Rod, D722, .020 .....	3
8	102630703	Metal, Crank, Rod, D722, .040 .....	3
9	102732201	Bushing, Piston Pin, D722 .....	3
10	N/A	Rod, Connecting .....	1
11	102608101	Sleeve, Crankshaft .....	1
12	102608801	Metal,crank, O Side, Std .....	2
13	N/A	Metal,crank, O Side, +.020 .....	2
14	102608803	Metal,crank, O Side, +.040 .....	2
15	102608804	Metal,crank, I Side, Std .....	2
16	N/A	Metal,crank, I Side, +.020 .....	2
17	102608806	Metal,crank, I Side, +.040 .....	2
18	102609001	Metal, Crank, Main, Rear Std .....	1
19	N/A	Metal, Crank, Main, Rear -.020 .....	1
20	102609003	Metal, Crank, Main, Rear -.040 .....	1
21	102609801	Metal, Crank, Main, Mid Std .....	4
22	N/A	Metal, Crank, Main, Mid +.020 .....	2
23	102609803	Metal, Crank, Main, Mid +.040 .....	2
24	102610001	Crankshaft (includes items 25 and 26) .....	1
25	102608001	Ball, Crankshaft .....	3
26	N/A	Crankshaft .....	1
27	102630001	Metal, Crank, D722, Frnt, Std .....	1
28	N/A	Metal, Crank, 722, Frnt, -.020 .....	1
29	102630003	Metal, Crank, 722, Frnt, -.040 .....	1
30	102630101	Gear, Crank .....	1
31	102630201	Slinger, Oil .....	1
32	102630301	O Ring, 23 X 26 .....	1
33	102630401	Collar, Crankshaft .....	1
34	102630901	Circlip, Piston Pin .....	6
35	102631001	Pin, Piston .....	3
36	102728101	Piston, D722, Std .....	3
37	102728102	Piston, D722, +0.25 .....	3

8

D

8

D



000049-001

# FLYWHEEL

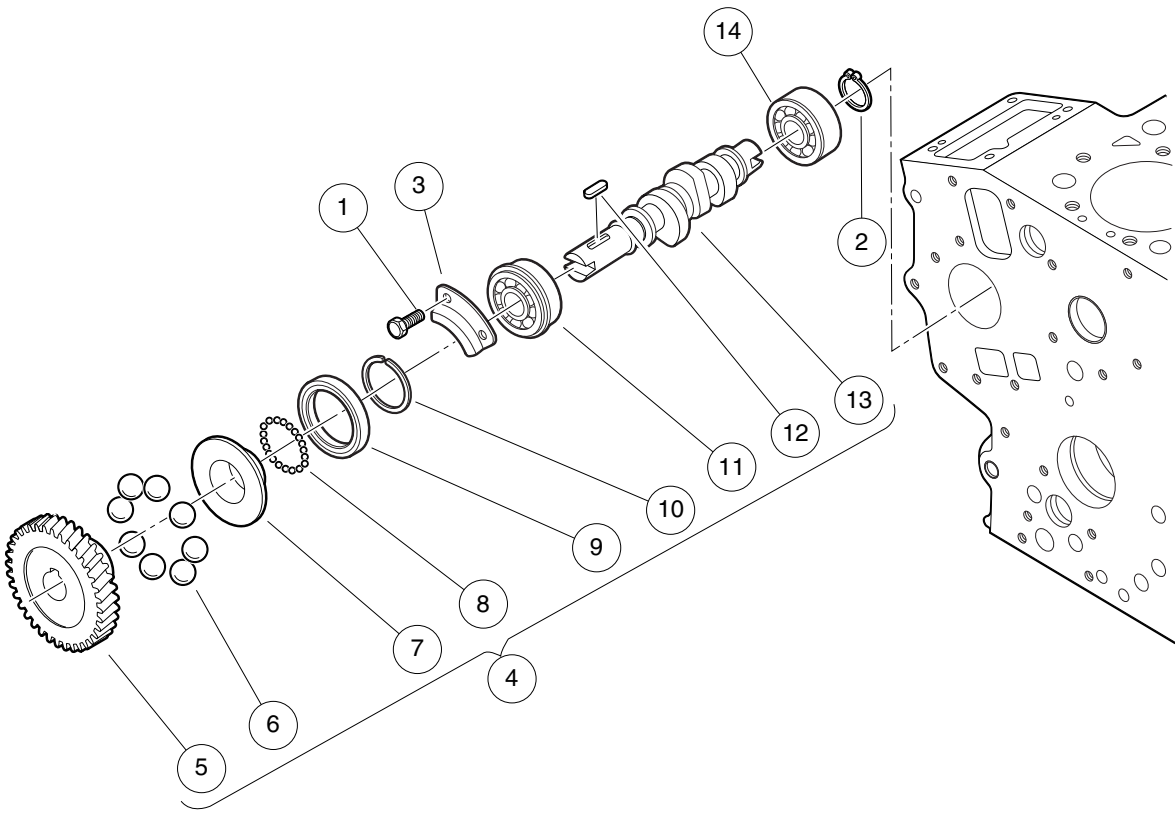
ITEM	PART NO.	DESCRIPTION	QTY
		<b>1 2 3 4</b>	
1	102647501	Plate, Rear End .....	1
2	102647801	Flywheel (includes items 3 and 4) .....	1
3	102647901	Gear, Ring, D722 .....	1
4	N/A	Flywheel .....	1
5	102648001	Bolt, Flange Head, M10 X 1.5 X 25 .....	5
6	102728301	Bolt, End Plate .....	10

**8**

**D**

8

D



000050-001



# SHAFT

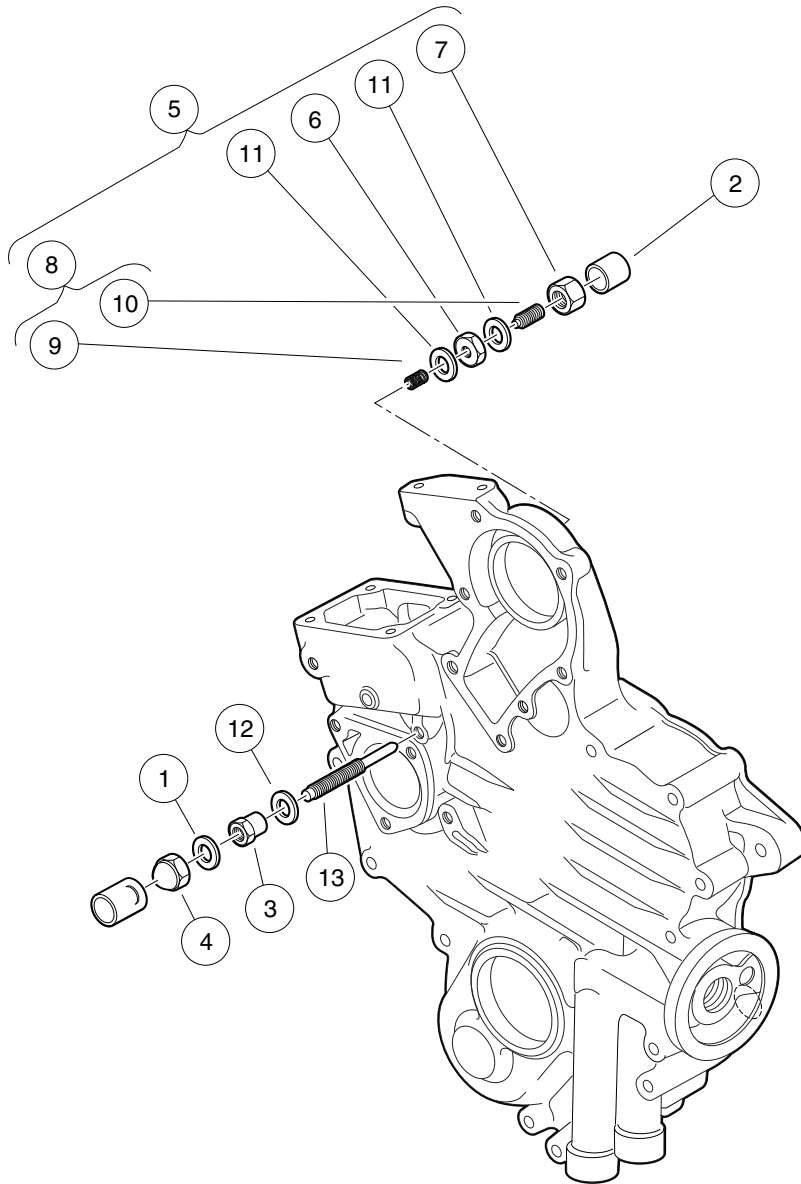
ITEM	PART NO.	DESCRIPTION	QTY
		<b>1 2 3 4</b>	
1	102604201	Bolt, D722, Cam End .....	2
2	102604701	Circlip, External .....	1
3	N/A	Stopper, Fuel, C/shaft .....	1
4	102728401	Assy, Fuel Camshaft (includes items 5 through 13) .....	1
5	102603601	Gear, Injection Pump .....	1
6	102603701	Ball, Injection Pump .....	8
7	102603801	Sleeve, Governor .....	1
8	102603901	Ball, Governor .....	32
9	102604001	Case, Governor Ball .....	1
10	102604101	Circlip .....	1
11	102604301	Bearing, Ball .....	1
12	102604401	Key, Feather, Short Camshaft .....	1
13	102604501	Camshaft, Fuel, Short .....	1
14	102728501	Bearing, Ball .....	1

**8**

**D**

8

D



000051-002

# IDLE APPARATUS

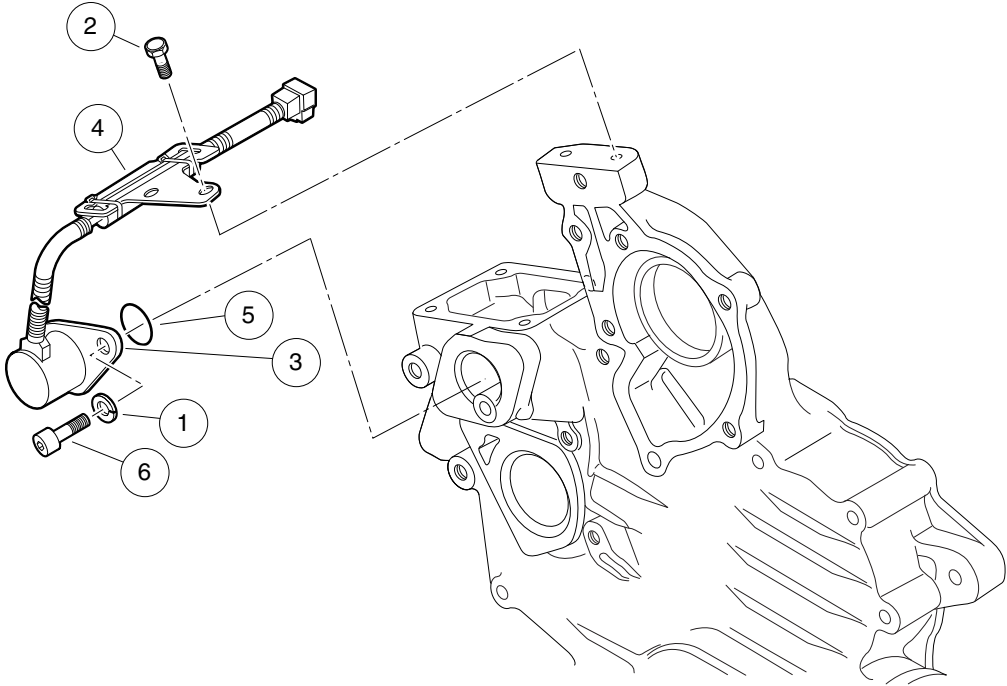
ITEM	PART NO.	DESCRIPTION	QTY
		1 2 3 4	
1	102635301	Gasket, 6 X 10 .....	1
2	102635701	Cap, Bolt Assy .....	1
3	102637001	Nut, Lock, Special .....	1
4	102637101	Nut, Special .....	1
5	102728601	Assy, Idle Apparatus (includes items 6 through 11) .....	1
6	102635501	Nut, M8, D722 Idle App, Specl .....	1
7	102635801	Nut, M8, D722 Idle App .....	1
8	102635901	Assy, Bolt, Adjusting (includes items 9 and 10) .....	1
9	102728701	Spring, Idle Apparatus .....	1
10	N/A	Stud, Idle Adjustment .....	1
11	102728801	Gasket, Idle Apparatus, Rear .....	2
12	102728901	Gasket, Idle Apparatus, Front .....	1
13	102799501	Bolt, Idle Adjusting .....	1

**8**

**D**

8

D



000182-001

# STOP SOLENOID

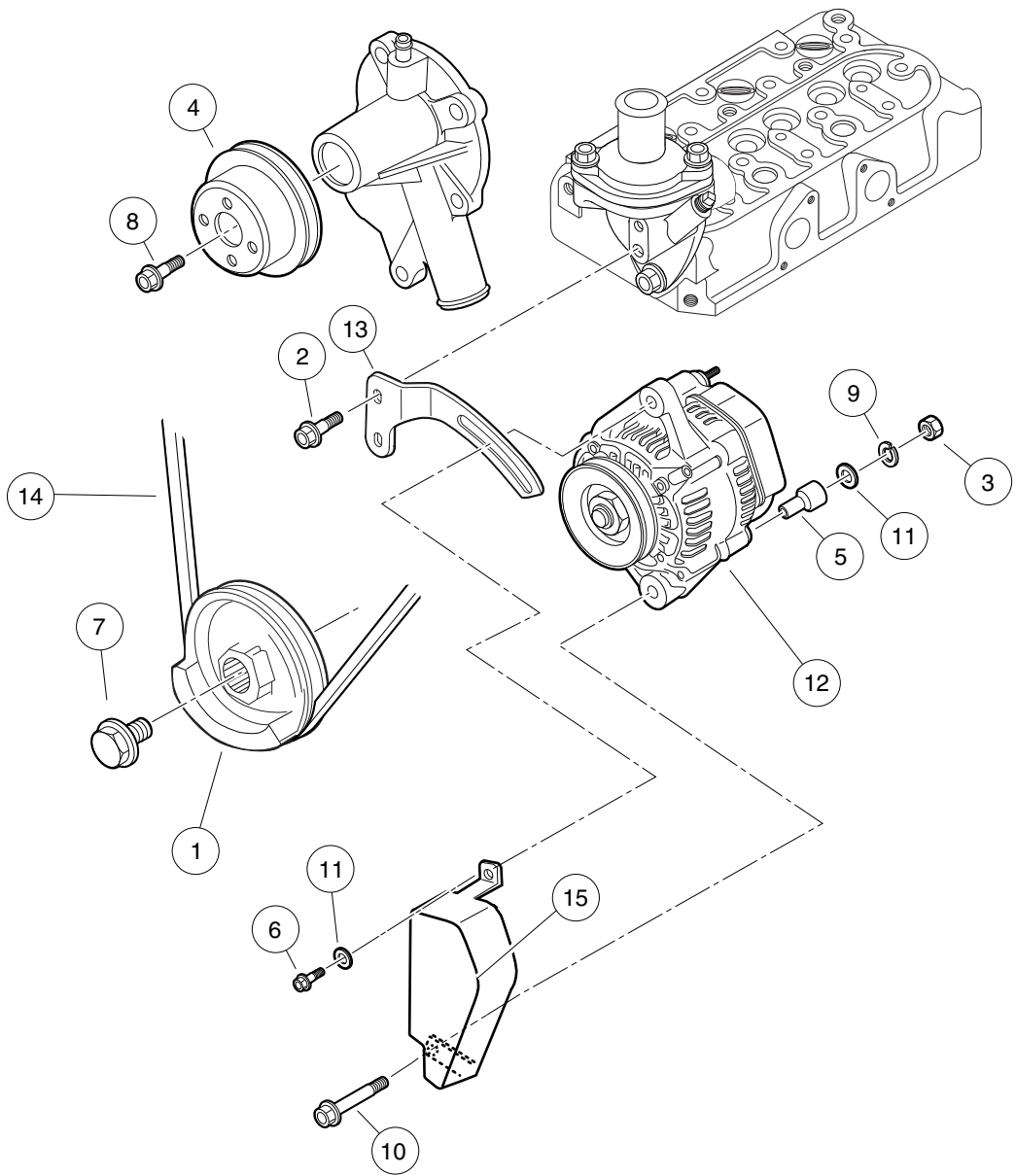
ITEM	PART NO.	DESCRIPTION	QTY
		<b>1 2 3 4</b>	
1	102640601	Washer, Spring, M6, D722 .....	2
2	102729101	Bolt, Solenoid, Stop, D722 .....	2
3	102799601	Solenoid, Stop .....	1
4	102799701	Stay, Stop Solenoid .....	1
5	102799801	O-Ring, Stop Solenoid .....	1
6	N/A	Bolt, Stop Solenoid .....	2

**8**

**D**

8

D



000057-003

# 60-AMP ALTERNATOR

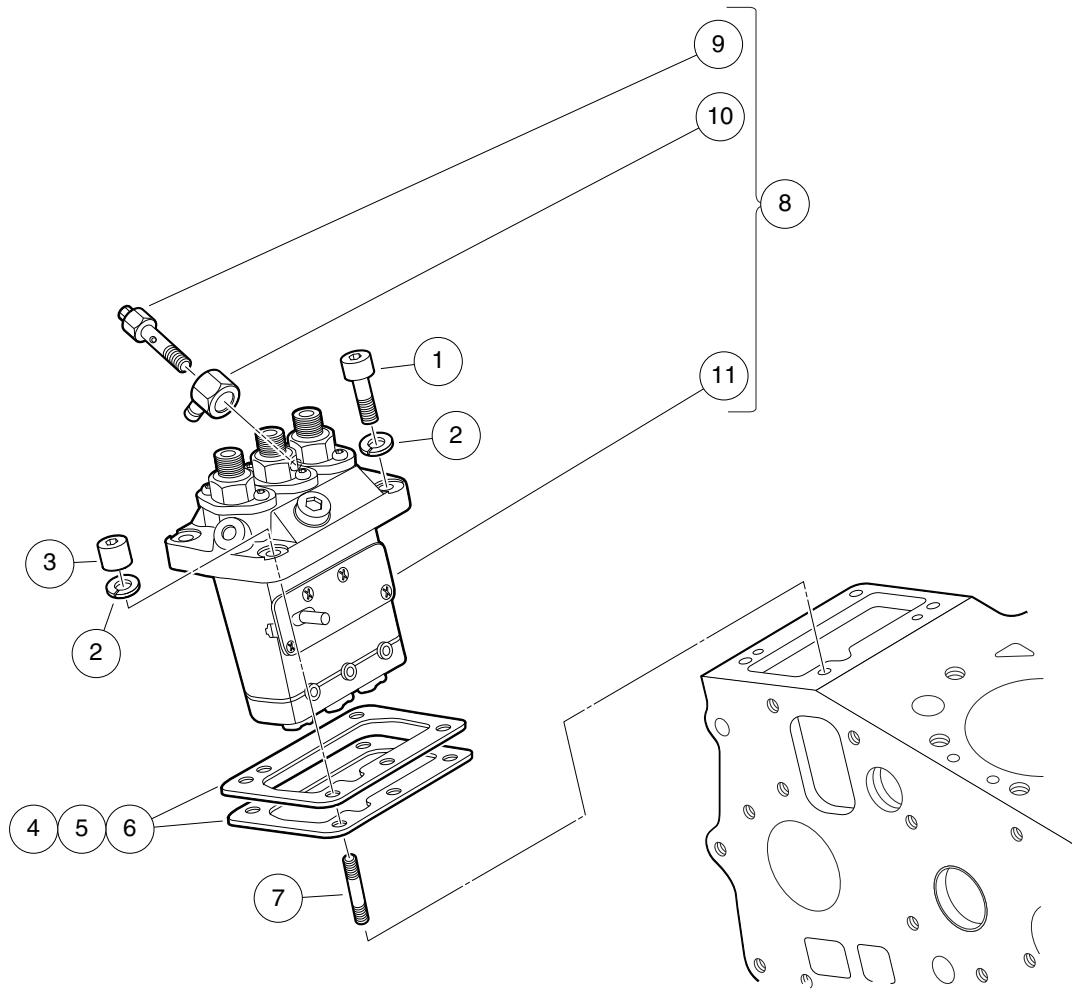
ITEM	PART NO.	DESCRIPTION	QTY
		1 2 3 4	
1	102630601	Pulley, Fan Drive .....	1
2	102631601	Bolt, M6 X 1 X 20 .....	2
3	102647701	Nut, M8, Plate .....	1
4	102701201	Pulley, Water Pump .....	1
5	102730201	Collar, Alternator Assy, D722 .....	1
6	102730401	Bolt, Alt, D722, Adjuster .....	1
7	102730601	Bolt, Alt, D722, Drive Pulley .....	1
8	102731301	Bolt, D722, Drive Pulley .....	4
9	102732501	Washer, Spring, D722, Starter .....	1
10	102800701	Bolt, Alternator, Lower .....	1
11	102801001	Washer, Alternator, Upper .....	2
12	102934701	Alternator, 60 Amp .....	1
13	102934801	Brkt, Alt, D722, 60 Amp .....	1
14	102934901	Belt, Acc Drive, D722, 60 Amp .....	1
15	103239901	Guard, Acc Belt .....	1

**8**

**D**

8

D



000053-002



# INJECTION PUMP

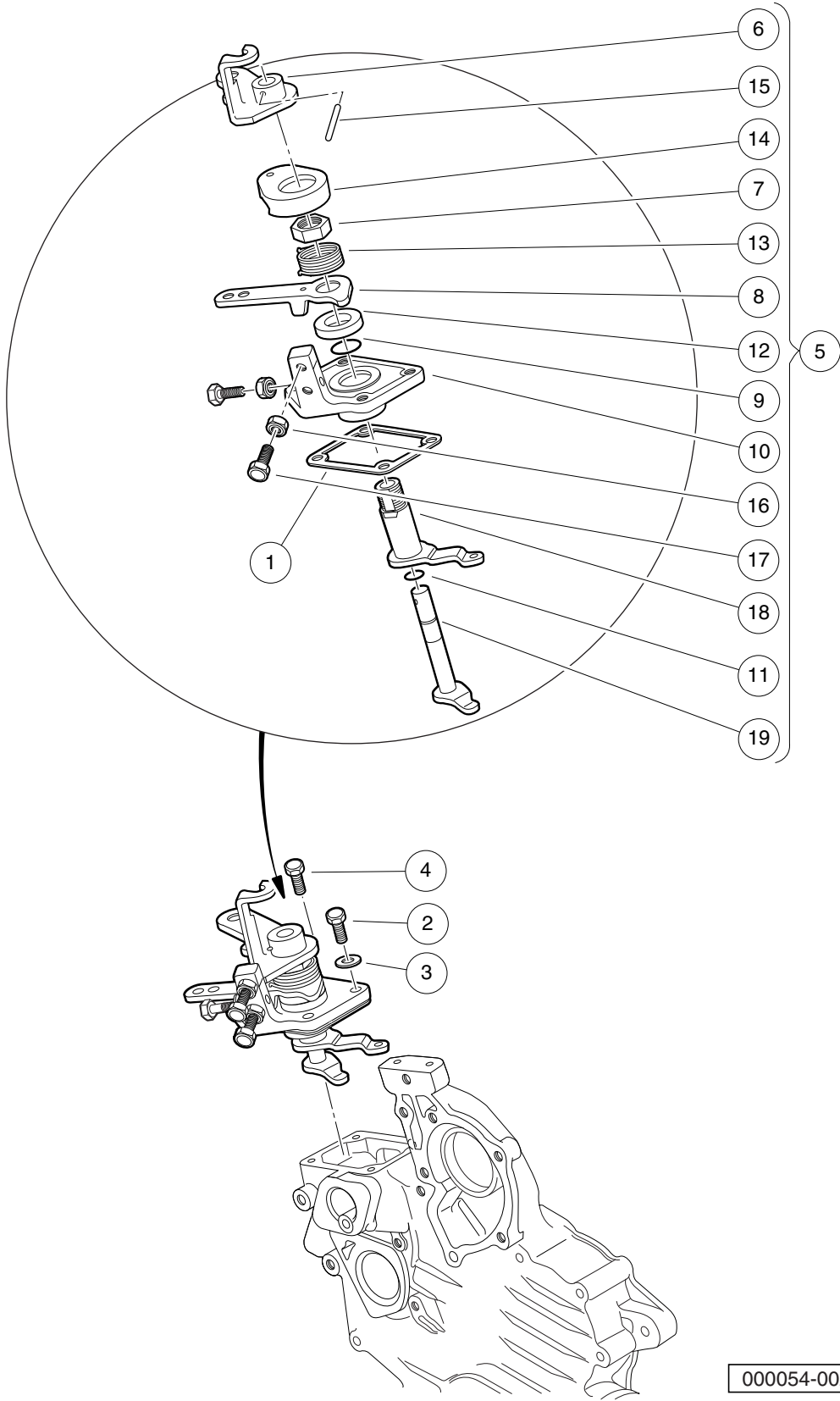
ITEM	PART NO.	DESCRIPTION	QTY
		<b>1 2 3 4</b>	
1	102640501	Bolt, Hex-Head, M5 X 0.75 X .....	2
2	102640601	Washer, Spring, M6, D722 .....	4
3	102640701	Nut, Special .....	2
4	102640901	Shim, Injection Pump, 0.20 mm .....	1
5	102641001	Shim, Injection Pump, 0.25 mm .....	1
6	102641101	Shim, Injection Pump, 0.30 mm .....	1
7	102641201	Stud, M5 X 25 .....	2
8	102800101	Assembly, Fuel Injection Pump (includes items 9 through 11) .....	1
9	102637701	Screw, Hollow, D722, Inj Pump .....	1
10	102640401	Joint, Eye .....	1
11	N/A	Pump, Injection .....	1

**8**

**D**

8

D



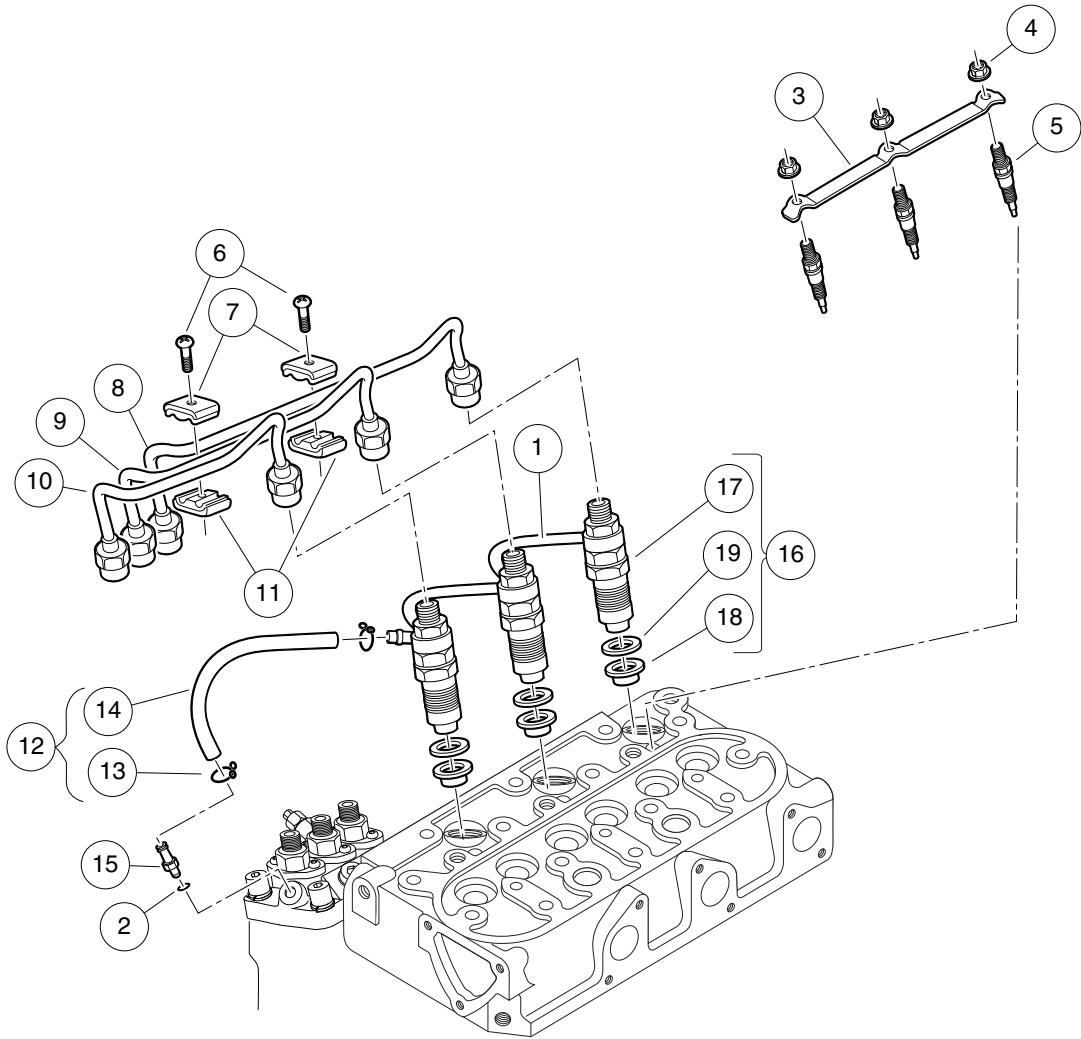
000054-002

# SPEED CONTROL PLATE

ITEM	PART NO.	DESCRIPTION	QTY
		<b>1 2 3 4</b>	
1	102634501	Gasket, Control Plate .....	1
2	102635201	Bolt, M6 X 1 X 30 .....	2
3	102635301	Gasket, 6 X 10 .....	2
4	102654301	Bolt, D722 Intake Manfld Lower .....	2
5	102800401	Assembly, Speed Plate (includes items 6 through 19) .....	1
6	102633701	Lever, Engine Stop .....	1
7	102633801	Nut, Speed Control .....	1
8	102633901	Lever, Speed Control .....	1
9	102634001	O Ring, 19 X 16 .....	1
10	102634101	Plate, Speed Control .....	1
11	102634401	O Ring, 9 X 7 .....	1
12	102634601	Collar, Lever .....	1
13	102634701	Spring, Return .....	1
14	102729401	Cap, Speed Cntrl Plate Rtrn .....	1
15	102729501	Pin, Spring, Speed Plate .....	1
16	N/A	Nut, Speed Control .....	2
17	N/A	Bolt, Speed Control .....	2
18	102800501	Lever, Governor .....	1
19	102800601	Shaft, Governor Lever .....	1

**8**

**D**



000055-001

# NOZZLE HOLDERS AND GLOW PLUGS

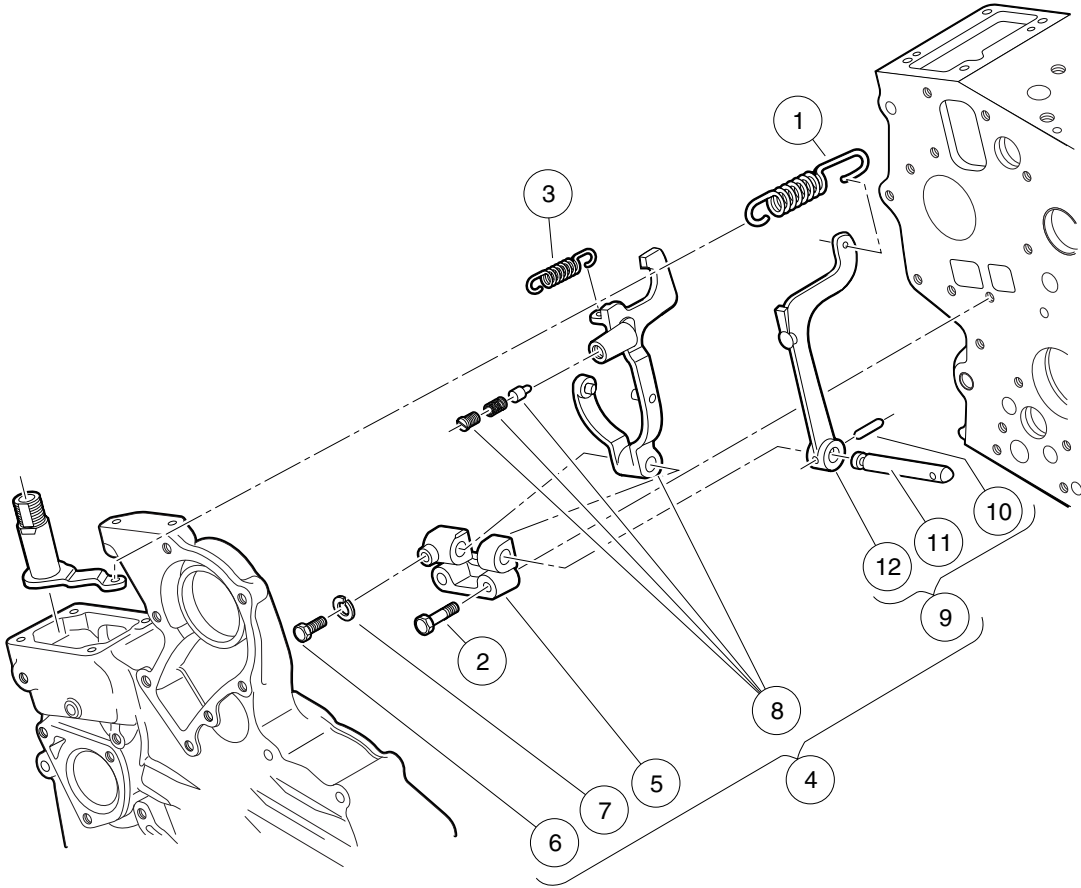
ITEM	PART NO.	DESCRIPTION	QTY
		1 2 3 4	
1	102605701	Assy Pipe, D722 Fuel Over Flow .....	1
2	102635301	Gasket, 6 X 10 .....	1
3	102642401	Cord, Glow Plug .....	1
4	102642501	Nut, Flange,m4 .....	3
5	102642601	Glow Plug .....	3
6	102642801	Screw, Washer .....	2
7	102642901	Clamp, Pipe, Top .....	2
8	102643001	Pipe, Injection, Left .....	1
9	102643101	Pipe, Injection, Right .....	1
10	102643201	Pipe, Injection, Middle .....	1
11	102643301	Clamp, Pipe, Bottom .....	2
12	102643401	Assy Pipe, Over Flow (includes items 13 and 14) .....	1
13	102729601	Clip, Pipe, Return .....	2
14	N/A	Hose, Overflow .....	1
15	102643701	Screw, Air Bleeder .....	1
16	102729701	Kit, Holder, Nozzle (includes items 17 through 19) .....	3
17	102641501	Assembly, Nozzle Holder .....	3
18	102642701	Seal, Heat .....	3
19	102643601	Gasket, Nozzle .....	3

**8**

**D**

8

D



000056-002

# GOVERNOR COMPONENTS

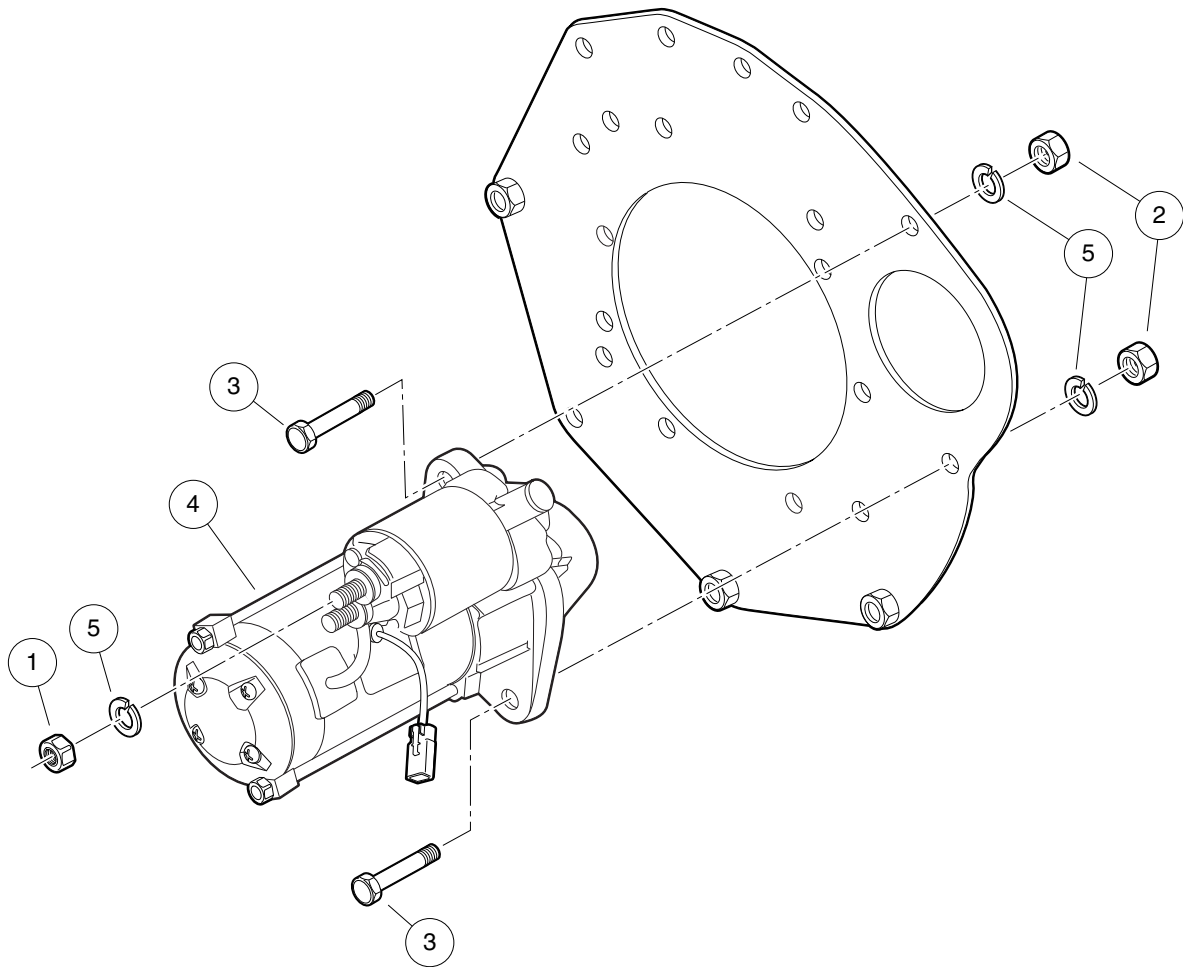
ITEM	PART NO.	DESCRIPTION	QTY
		<b>1 2 3 4</b>	
1	102635101	Spring, Governor .....	1
2	102636301	Bolt, M5 X 0.75 X 25 .....	2
3	102800201	Spring, Start .....	1
4	102800301	Assembly, Governor Fork (includes items 5 through 9) .....	1
5	102636201	Holder, Fork Lever .....	1
6	102636401	Bolt, M5 X 0.75 X 11 .....	1
7	102636501	Washer, Spring, M5 .....	1
8	N/A	Lever, Fork, Middle, D722 CB .....	1
9	N/A	Assembly, Governor Fork Level, Lower, D722 CB (includes items 10 through 12) .....	1
10	102633601	Pin, Spring .....	1
11	102636601	Shaft, Fork Lever .....	1
12	N/A	Lever, Fork, End, D722 CB .....	1

**8**

**D**

8

D



000058-001

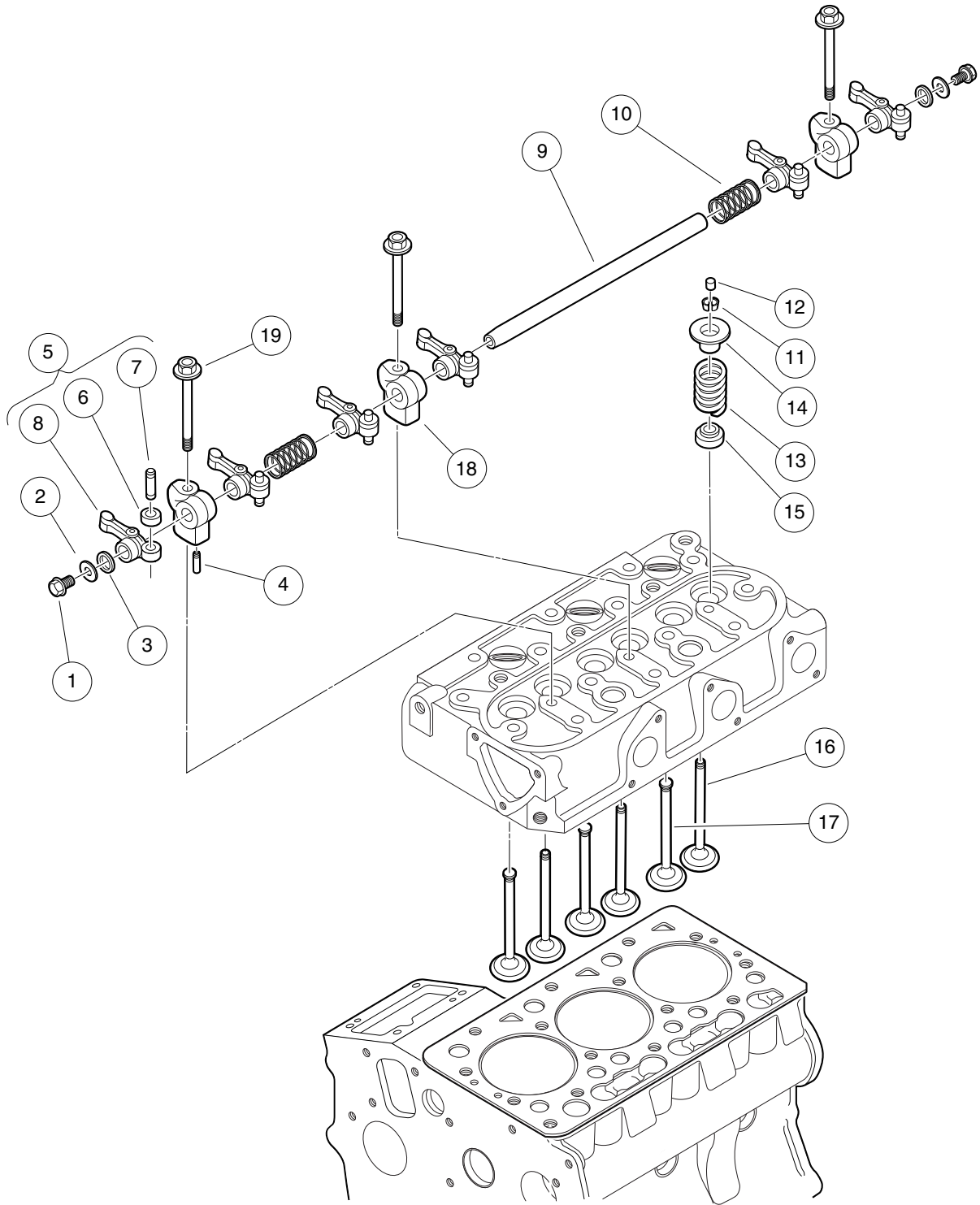


# STARTER

ITEM	PART NO.	DESCRIPTION	QTY
		<b>1 2 3 4</b>	
1	102645501	Nut, D722, Starter .....	2
2	102647701	Nut, M8, Plate .....	2
3	102648401	Bolt, M8 X 1.25 X 28 .....	2
4	102648501	Motor, Starter .....	1
5	102732501	Washer, Spring, D722, Starter .....	4

**8**

**D**



000062-002

## VALVES AND ROCKER ARMS

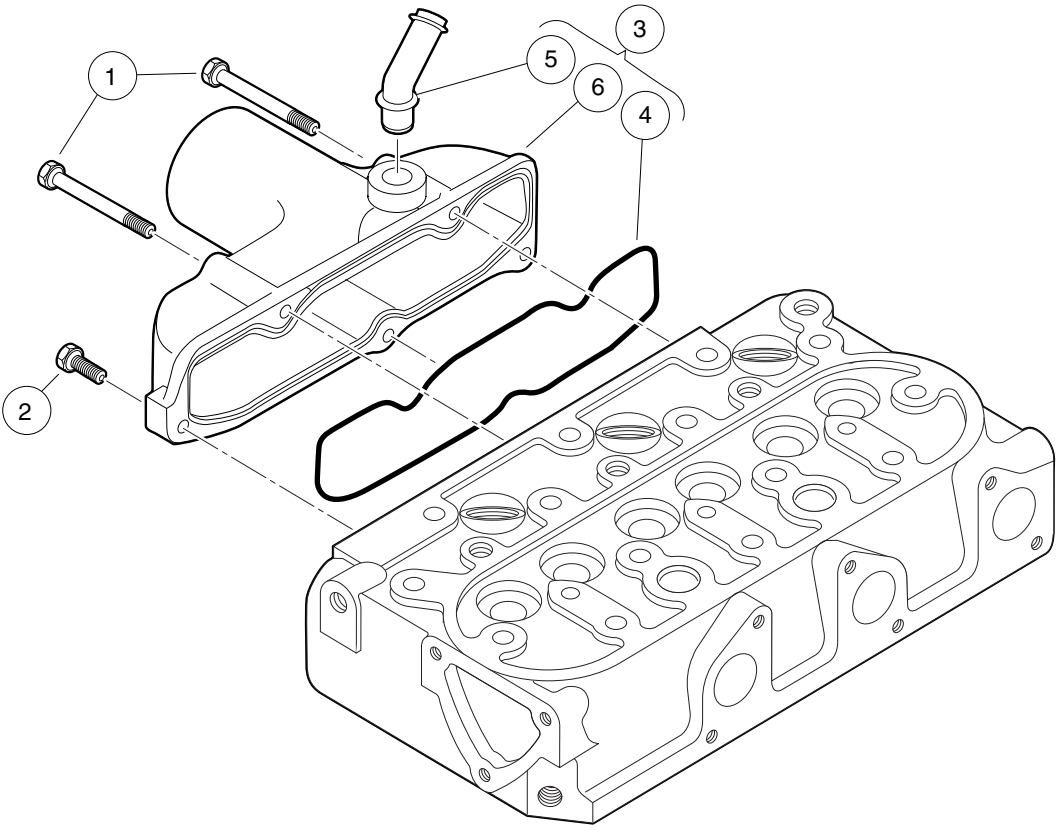
ITEM	PART NO.	DESCRIPTION	QTY
		<b>1 2 3 4</b>	
1	102646401	Bolt, M6 X 1 X 8 .....	2
2	102651301	Washer, D722, Plain, Rocker .....	2
3	102651601	Washer, Rocker Arm .....	2
4	102651801	Pin, Spring, D722, Rocker .....	1
5	102652001	Assy Rocker Arm (includes items 6 through 8) .....	6
6	102651501	Nut, M6 .....	6
7	102651701	Screw-Adjusting .....	6
8	N/A	Arm, Rocker .....	1
9	102652601	Shaft, Rocker Arm .....	1
10	102652701	Spring, Rocker Arm .....	2
11	102652901	Collet, Valve Spring, Set .....	6
12	102653001	Cap, Valve, D722 .....	6
13	102653101	Spring, Valve .....	6
14	102653201	Retainer, Spring .....	6
15	102653301	Seal, Valve Stem .....	6
16	102653601	Valve, Exhaust .....	3
17	102653701	Valve, Inlet .....	3
18	102801101	Bracket, Rocker Arm, D722 Closed-Breather .....	3
19	102801201	Bolt, Rocker Arm .....	3

**8**

**D**

8

D



000063-002

# DIESEL INLET MANIFOLD

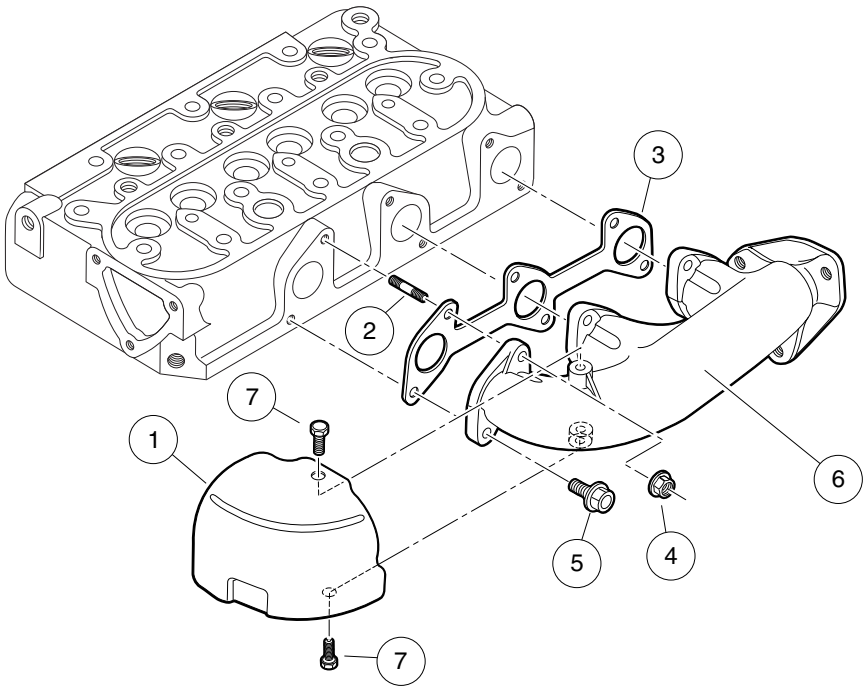
ITEM	PART NO.	DESCRIPTION	QTY
		<b>1 2 3 4</b>	
1	102646101	Bolt, M6 X 1 X 45 .....	3
2	102654301	Bolt, D722 Intake Manfld Lower .....	2
3	102801301	Assembly, Intake Manifold (includes items 4 through 6) .....	1
4	102646001	Gasket, Intake Manifold .....	1
5	102801401	Pipe, Breather .....	1
6	102801501	Manifold, Intake .....	1

**8**

**D**

8

D



000064-001

# EXHAUST MANIFOLD

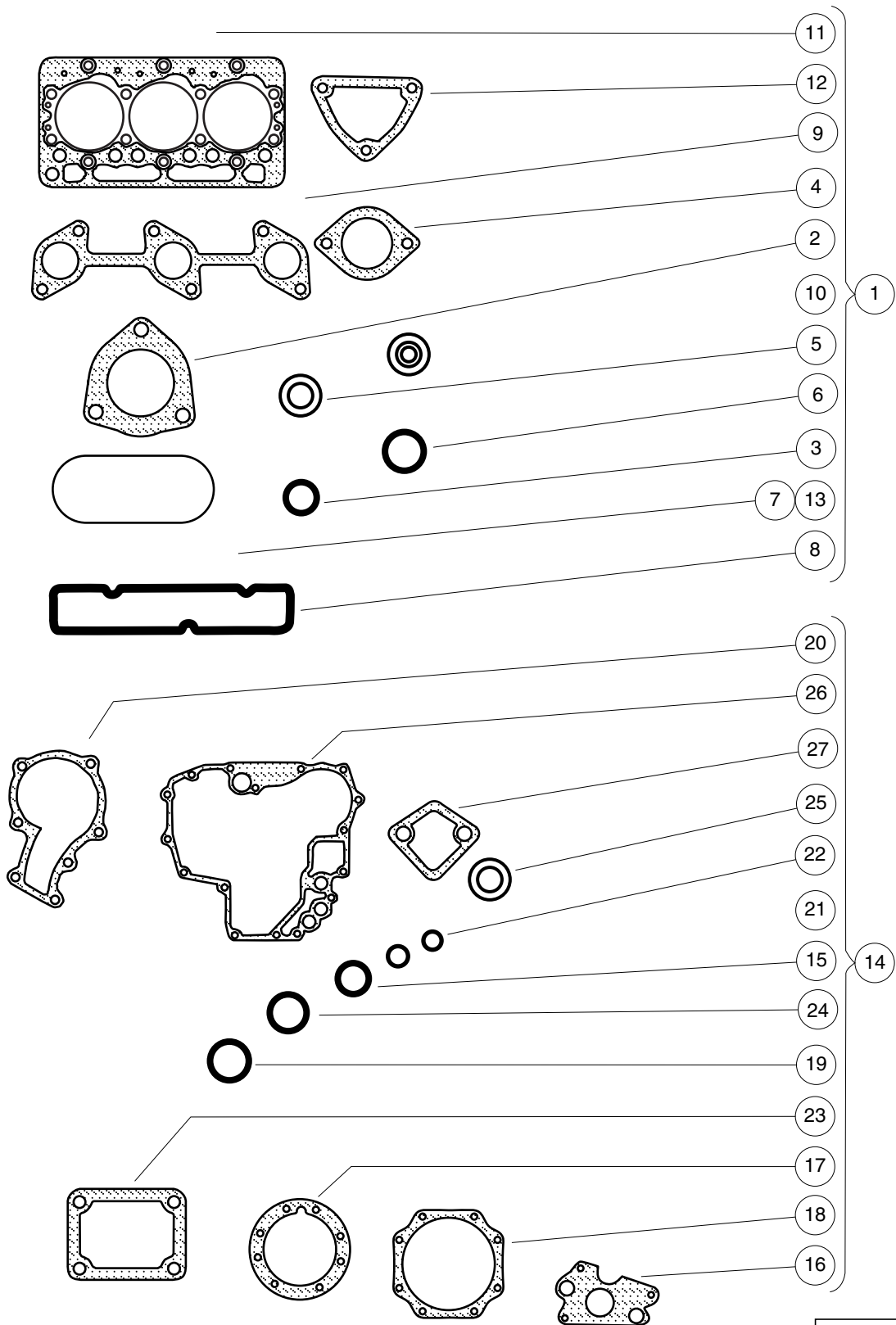
ITEM	PART NO.	DESCRIPTION	QTY
		1 2 3 4	
1	102646301	Cover, Heat Proof .....	1
2	102646501	Stud, M6 X 26 .....	3
3	102646601	Gasket, Ex-manifold .....	1
4	102647101	Nut, Flange, M6, Ubs .....	3
5	102647201	Bolt, Flange Head, M6 X 1 X 16 .....	3
6	102731501	Manifold, Exhaust, D722 .....	1
7	102731601	Bolt, D722, Exhst Manfld Cover .....	2

**8**

**D**

8

D



000065-001



# GASKET KITS

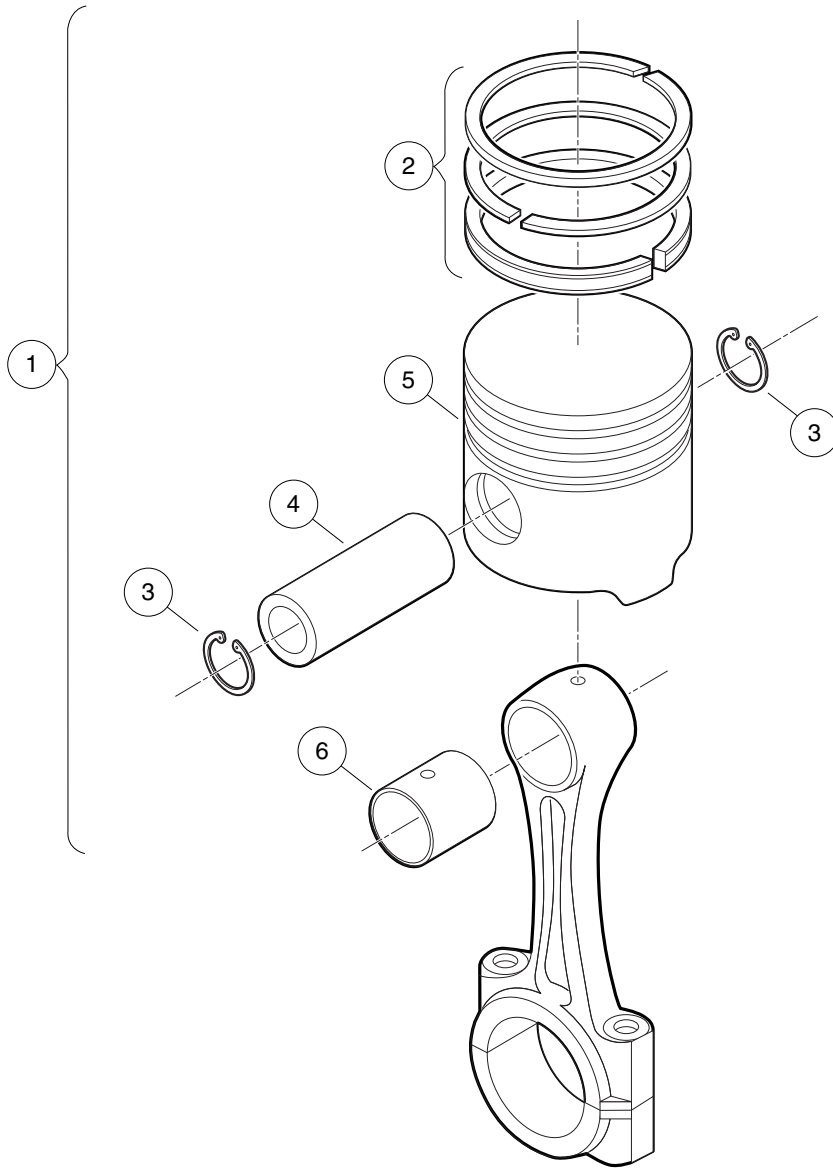
ITEM	PART NO.	DESCRIPTION	QTY
		<b>1 2 3 4</b>	
1	102731801	Kit, Gasket Upper, D722 (includes items 2 through 13) .....	1
2	102422301	Gasket, Exhaust Diesel .....	1
3	102600301	O Ring, 8 X 7 .....	1
4	102633401	Gasket, Thermostat .....	1
5	102635301	Gasket, 6 X 10 .....	3
6	102644001	O Ring, 30 X 36 .....	1
7	102644501	Gasket, Head Cover .....	1
8	102646001	Gasket, Intake Manifold .....	1
9	102646601	Gasket, Ex-manifold .....	1
10	102653301	Seal, Valve Stem .....	6
11	102654101	Gasket, Cylinder Head .....	1
12	102654701	Gasket, Water Flange .....	1
13	102798501	Gasket, Cylinder Head Cover .....	1
14	102731901	Kit, Gasket Lower, D722 (includes items 15 through 27) .....	1
15	102601801	O Ring, 18 X 13 .....	3
16	102606601	Gasket, Oil Pump .....	1
17	102608201	Gasket, Bearing Case .....	1
18	102608301	Gasket, Cover .....	1
19	102630301	O Ring, 23 X 26 .....	1
20	102632701	Gasket, Water Pump, D722 .....	1
21	102634001	O Ring, 19 X 16 .....	1
22	102634401	O Ring, 9 X 7 .....	1
23	102634501	Gasket, Control Plate .....	1
24	102654601	O Ring, 20 X 17 .....	1
25	102728801	Gasket, Idle Apparatus, Rear .....	2
26	102729301	Gasket, Gearcase, D722 .....	1
27	102732601	Gasket, Fuel Pump, D722 .....	1

**8**

**D**

8

D



000066-001

# PISTON KIT

ITEM	PART NO.	DESCRIPTION	QTY
		<b>1 2 3 4</b>	
1	102732001	Kit, Piston Rebuild, D722 (includes items 2 through 6) .....	1
2	102607601	Assy Piston Ring, D722 Std .....	1
3	102630901	Circlip, Piston Pin .....	2
4	102631001	Pin, Piston .....	1
5	102728101	Piston, D722, Std .....	1
6	102732201	Bushing, Piston Pin, D722 .....	1

**8**

**D**

8

*D*

# FUEL, INTAKE, AND GOVERNOR SYSTEM

---

9

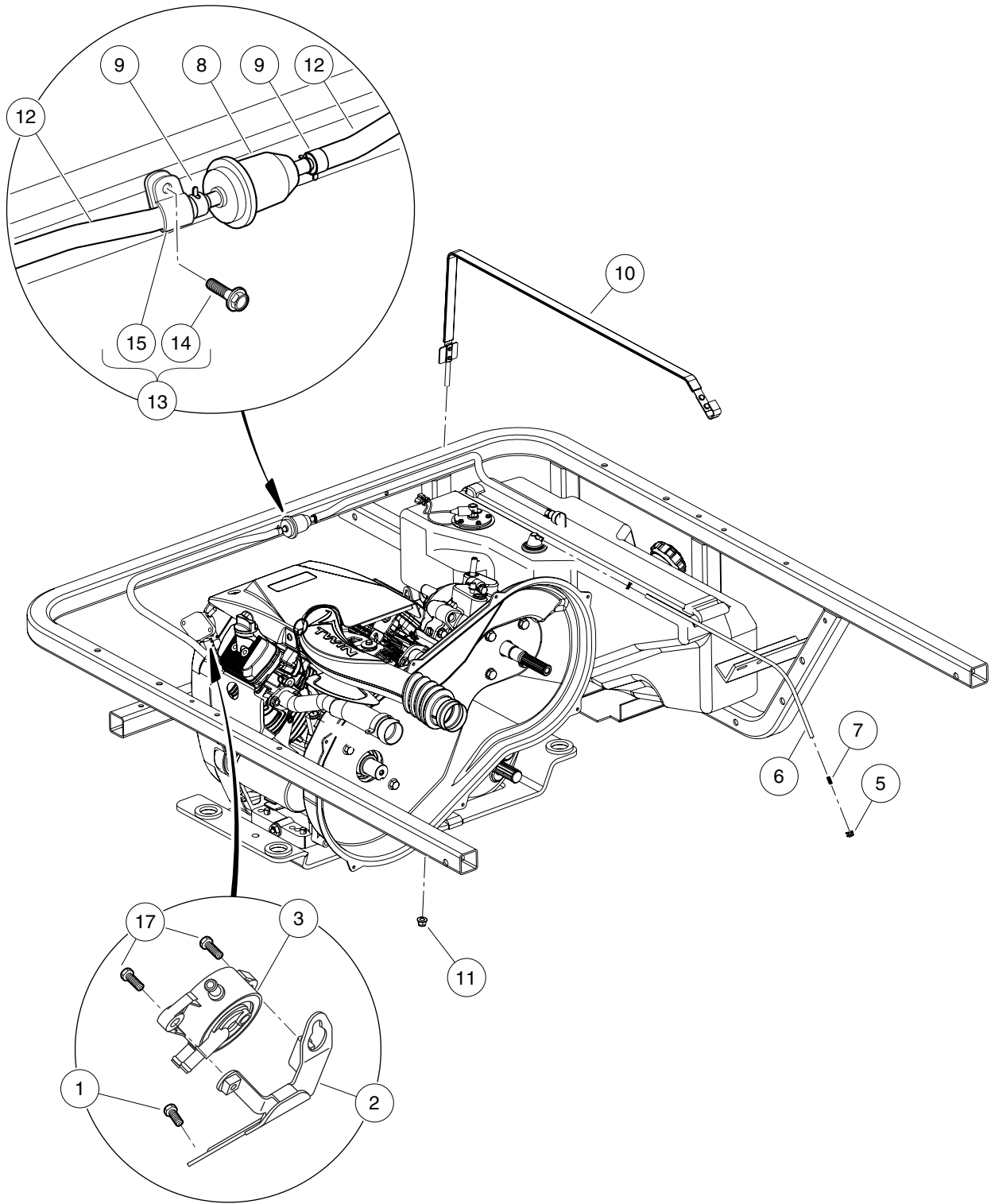
G

D

9

G

D



000672-002

## FUEL SYSTEM – KAWASAKI GASOLINE VEHICLES

ITEM	PART NO.	DESCRIPTION	QTY
		1 2 3 4	
1	102992501	Bolt, Flg, M6 X 1.0 X 16 .....	1
2	103009901	Bracket, Fuel Pump, Fh .....	1
3	103010101	Pump, Fuel, Impulse, Fh .....	1
4	N/A	Instl, Fuel System, Fh680d (includes items 5 through 13) .....	1
5	1013746	Clamp, 0.301 ID Hose .....	2
6	101587703	Hose, Fuel, Vent, 22" Long .....	1
7	101824401	Vent Barb .....	1
8	102003201	Filter, Fuel, 30 Micron .....	1
9	102411202	Clamp, Hose, Ctb 13mm .....	4
10	102426301	Strap, Tank, Fuel .....	1
11	102618601	Lock Nut, Flg M8 X 1.25 Nylon .....	1
12	102865101	Fuel Line .....	1
13	103387501	Kit, Fuel Line Clamp, 4x4 Khi (includes items 14 through 16) .....	1
14	102289001	Screw, M8X1.25X30, Hex .....	1
15	102410604	P-clamp, Insulated 0.625 In .....	1
16	N/A	Instr, Kit Fuel Line 4x4 Khi .....	1
17	103298501	Bolt, Flanged, M6 X 20, Kaw .....	2

**9**

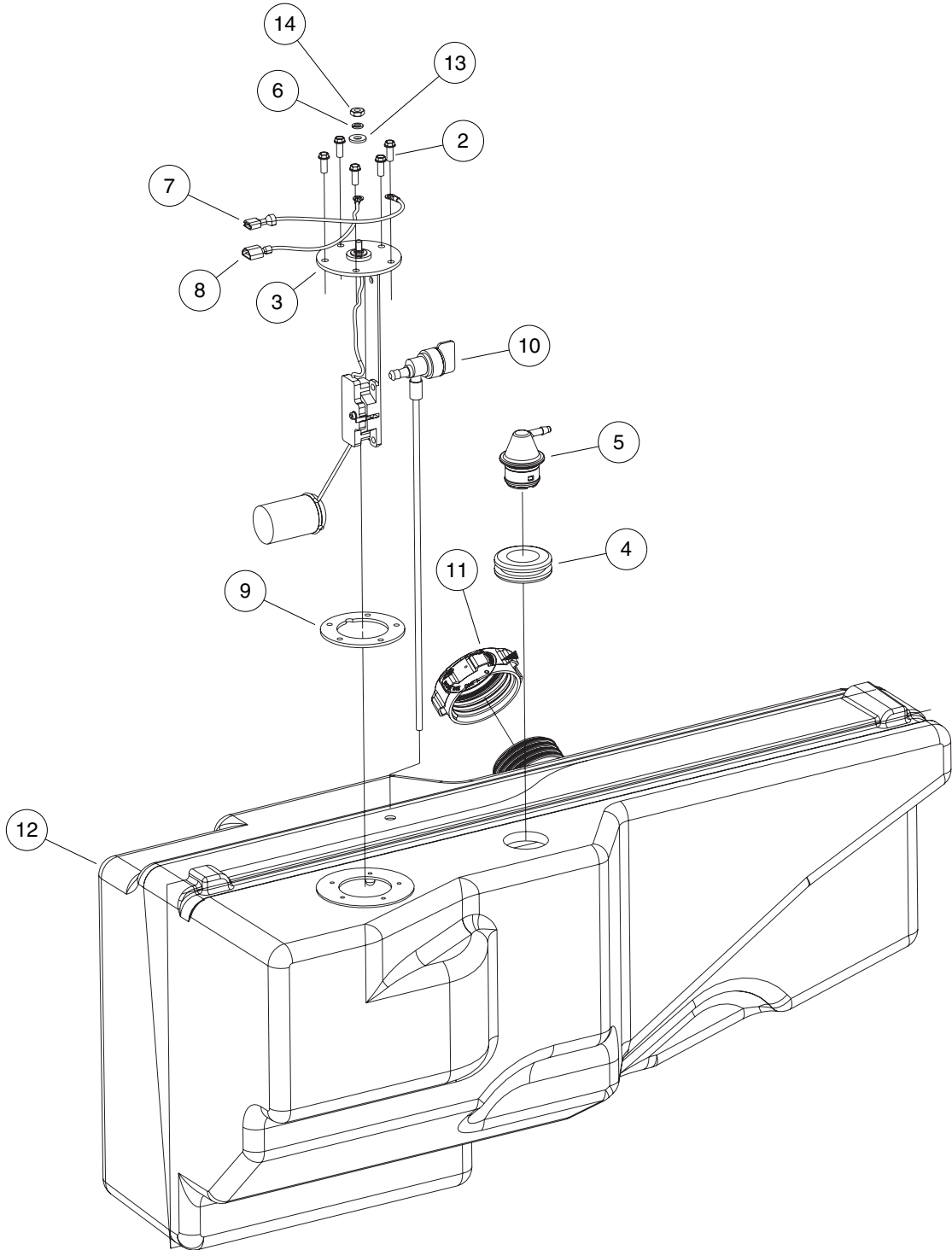
**G**

**D**

9

G

D



000082-004



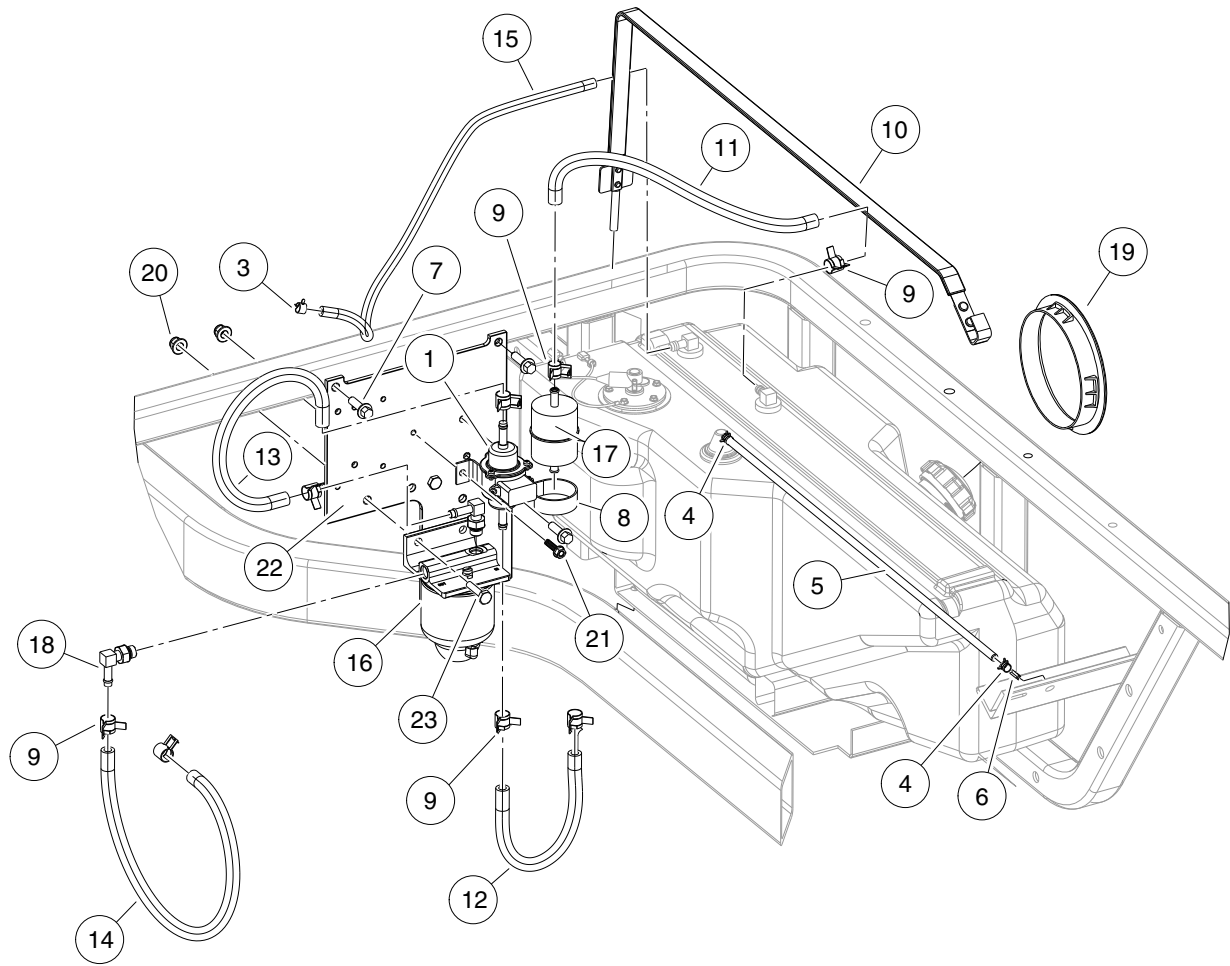
## FUEL TANK – GASOLINE VEHICLES

ITEM	PART NO.	DESCRIPTION	QTY	
		1 2 3 4		<b>9</b>
1	102952102	Asm, Tank, Fuel, Gas, 4x4 (includes items 2 through 14) .....	1	<b>G</b>
2	1013461	Screw, #10-16 Hex-Head Hi-Lo .....	5	
3	1013462	Sending Unit, Fuel Level * .....	1	
4	1015139	Insulation Grommet .....	1	<b>D</b>
5	1015143	Vent, Fuel Tank .....	1	
6	1016	Lockwasher, #10 Split .....	1	
7	N/A	Wire Asm, Blk, 170mm .....	1	
8	N/A	Wire Asm, Org, 170mm .....	1	
9	102522001	Gasket, Rubber .....	1	
10	102670901	Valve, Pickup Tube, Fuel .....	1	
11	102751601	Cap, Fuel Tank, Gasoline .....	1	
12	N/A	Tank, Fuel, Gas, 4x4 .....	1	
13	183	Washer, #10 Type A Flat .....	1	
14	8797	Nut, #10-32 Brass Hex .....	1	
		* Note: Must replace fuel sending unit gasket when servicing this component.		

9

G

D



000081-003

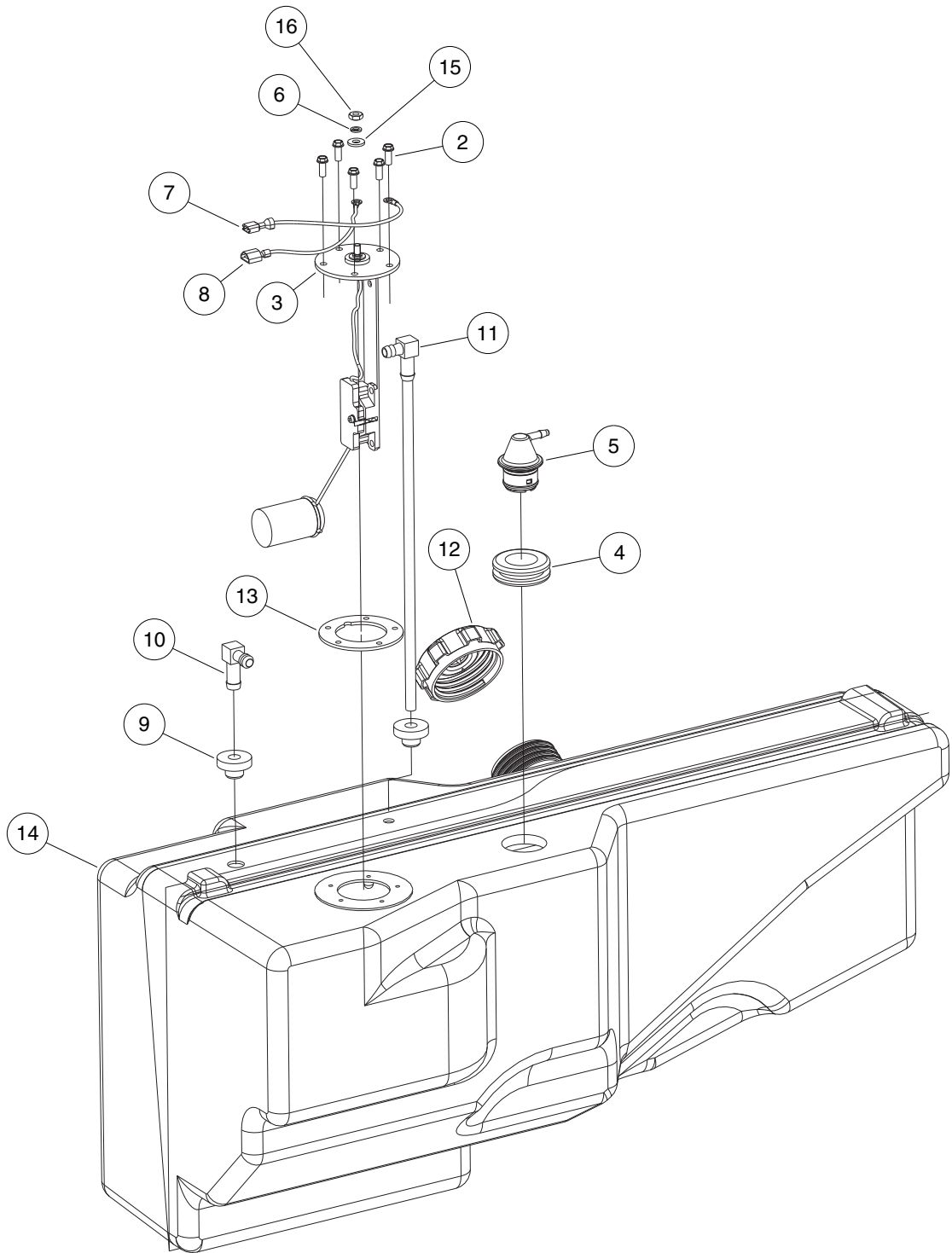
## FUEL SYSTEM – DIESEL

ITEM	PART NO.	DESCRIPTION	QTY	
		<b>1 2 3 4</b>		<b>9</b>
1	102410801	Pump, Diesel Fuel Electric .....	1	<b>G</b>
2	N/A	Asm, Fuel System, Kubota (includes items 3 through 23) .....	1	
3	101313402	Clamp, Green Hose .....	1	
4	1013746	Clamp, 0.301 ID Hose .....	2	<b>D</b>
5	101587703	Hose, Fuel, Vent, 22" Long .....	1	
6	101824401	Vent Barb .....	1	
7	102289001	Screw, M8X1.25X30, Hex .....	5	
8	102410602	P-Clamp, Insulated 1.75 In .....	1	
9	102411203	Clamp, Hose, Ctb 14mm .....	6	
10	102426301	Strap, Tank, Fuel .....	1	
11	102430001	Hose, Tank To Prefilter Diesel .....	1	
12	102430101	Hose, Fuel Prefilter To Pump .....	1	
13	102430201	Hose, Fuel Pump To Filter .....	1	
14	102430301	Hose, Fuel Filter To Eng .....	1	
15	102430401	Hose, Fuel Return .....	1	
16	102434601	Filter Assy, Fuel .....	1	
17	102434701	Filter, Fuel .....	1	
18	102434801	Adapter, 90, 5/16 Tube .....	2	
19	102466201	Bezel, Fuel Fill .....	1	
20	102618601	Lock Nut, Flg M8 X 1.25 Nylon .....	3	
21	102670801	Screw, M6 X 1 X 25 Thd Form .....	1	
22	102710301	Plate, Fuel/Oil System .....	1	
23	96705587	Bolt, M8 X 1.25 X 30 .....	2	

9

G

D



000082-005

## FUEL TANK – DIESEL VEHICLES

ITEM	PART NO.	DESCRIPTION	QTY
		1 2 3 4	
1	102952101	Asm, Tank, Fuel, Diesel, 4x4 (includes items 2 through 16) .....	1
2	1013461	Screw, #10-16 Hex-Head Hi-Lo .....	5
3	1013462	Sending Unit, Fuel Level * .....	1
4	1015139	Insulation Grommet .....	1
5	1015143	Vent, Fuel Tank .....	1
6	1016	Lockwasher, #10 Split .....	1
7	N/A	Wire Asm, Blk, 170mm .....	1
8	N/A	Wire Asm, Org, 170mm .....	1
9	102406701	Bushing, Line, Return .....	2
10	102406801	Elbow, 90 Barbed .....	1
11	102478501	Pickup Tube, Fuel .....	1
12	102494701	Cap, Fuel (Diesel) .....	1
13	102522001	Gasket, Rubber .....	1
14	N/A	Tank, Fuel, Diesel, 4x4 .....	1
15	183	Washer, #10 Type A Flat .....	1
16	8797	Nut, #10-32 Brass Hex .....	1
		* Note: Must replace fuel sending unit gasket when servicing this component.	

9

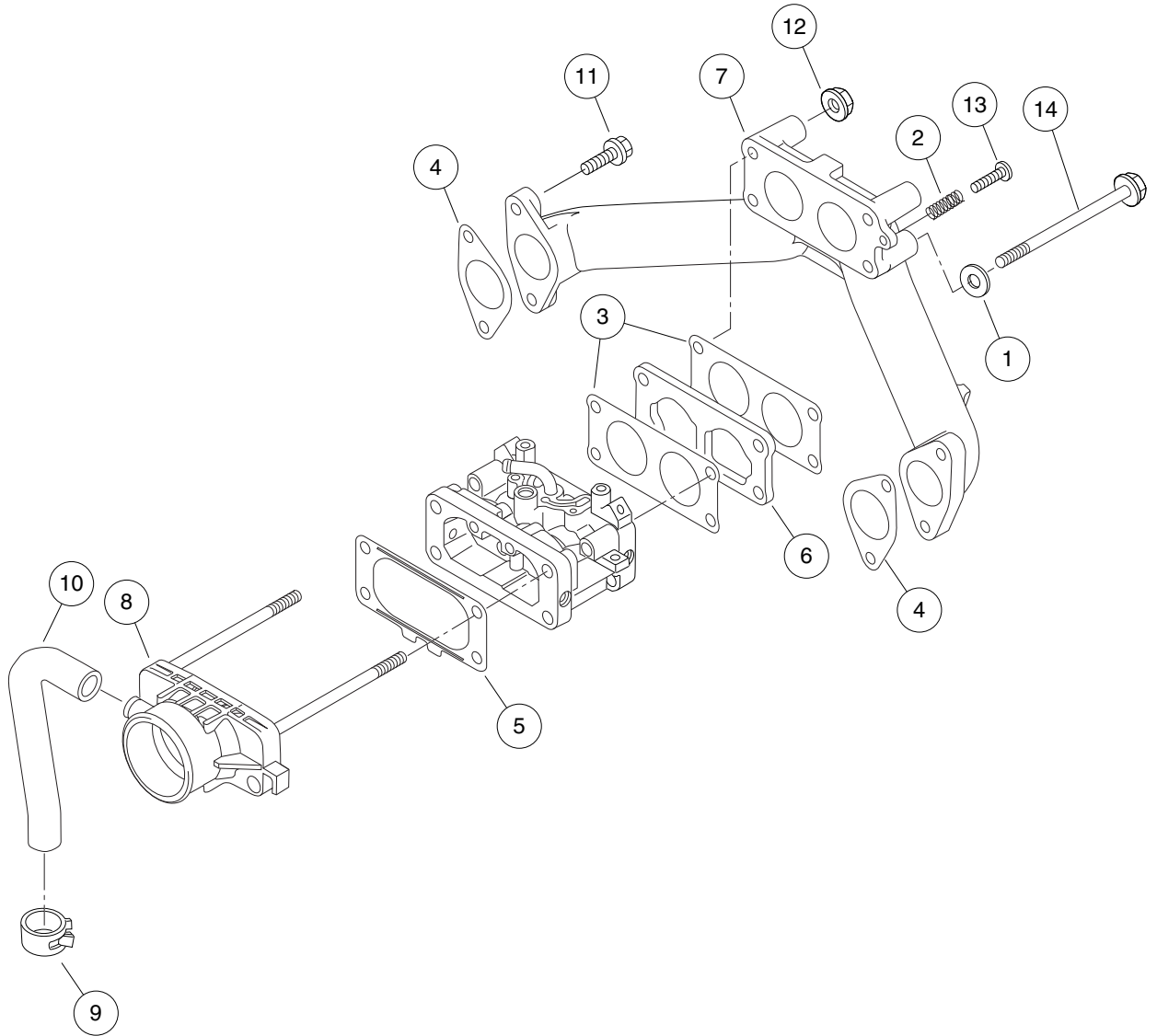
G

D

9

G

D



000673-002

# CARBURETOR INSTALLATION – KAWASAKI GASOLINE VEHICLES

ITEM	PART NO.	DESCRIPTION	QTY
		1 2 3 4	
1	1016513	Washer, M6 Flat .....	2
2	103002801	Spring, Fh .....	1
3	103003801	Gasket, Carburetor, Fh .....	2
4	103003901	Gasket, Manifold, Fh .....	2
5	103004201	Gasket, Air Filter, Fh .....	1
6	103005001	Insulator, Manifold, Fh .....	1
7	103005601	Manifold, Intake, Fh .....	1
8	103297101	Pipe, Intake Adapter, Fh .....	1
9	103297201	Clamp, Crankcase Vent, Fh .....	1
10	103297301	Tube, Crankcase Vent, Fh .....	1
11	103298501	Bolt, Flanged, M6 X 20, Kaw .....	4
12	103320201	Nut, Carburetor, M6 .....	2
13	103320301	Screw, Carburetor, M4 X 20 .....	1
14	103320401	Bolt, Flg, Carburetor, M6x105 .....	2

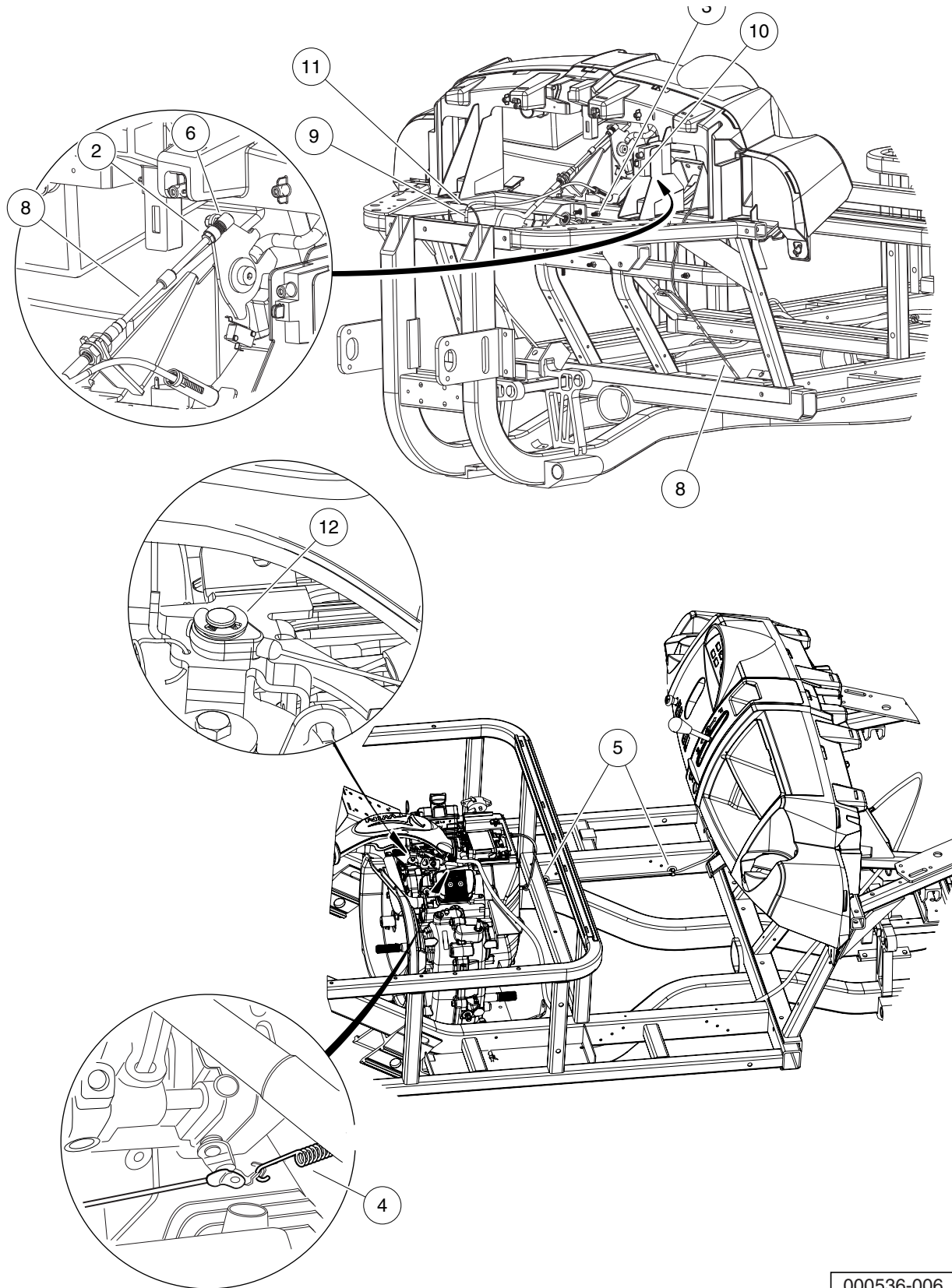
**9**

**G**

**D**

**9**  
**G**

**D**



000536-006



## CABLES – KAWASAKI GASOLINE ENGINE

ITEM	PART NO.	DESCRIPTION	QTY
		1 2 3 4	
1	N/A	Instl, Cables, Gas, Se, Fh680d (includes items 2 through 12) .....	1
2	1011084	Nut, 1/4-28 Hex Jam .....	2
3	102298401	Nut,m8,all Metal Lock .....	1
4	102457001	Spring .....	1
5	102475701	Clip, Brake Line .....	9
6	102615801	Joint, Ball, .346 Dia .....	2
7	102767101	Cable, Trans Shift, AWD, Long .....	1
8	103293401	Cable, Choke, Awd, Fh680d, Se .....	1
9	103650201	Cable, Accel, Awd, Fh680d, Se .....	1
10	103795901	Bkt, Accel, Cable, Common .....	1
11	8990	Tie Wrap, 8" Nylon .....	1
12	96950126	Ring, Retaining .....	1

**9**

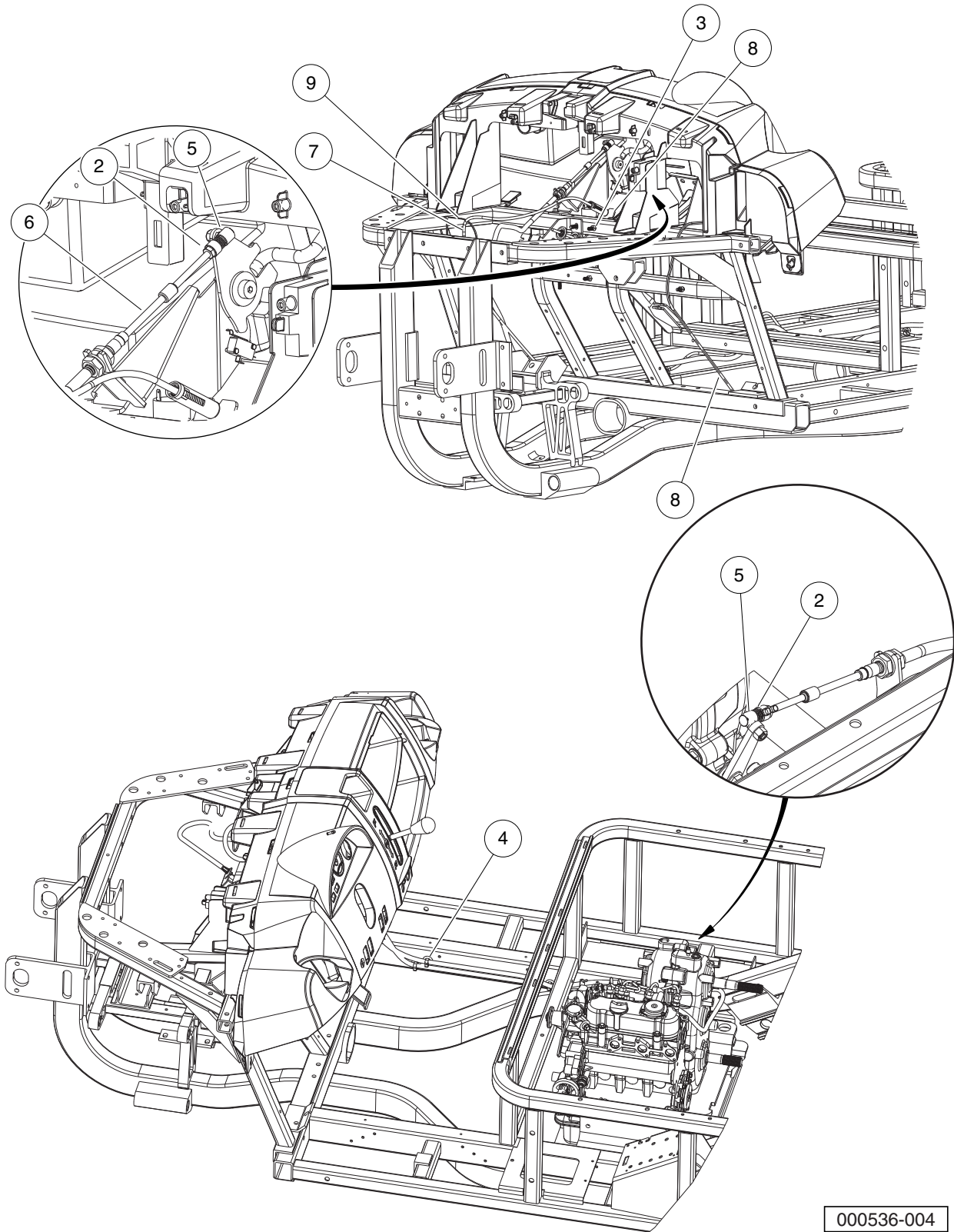
**G**

**D**

9

G

D



000536-004

## CABLES – DIESEL VEHICLES

ITEM	PART NO.	DESCRIPTION	QTY
		1 2 3 4	
1	N/A	Instl, Cable, Long, Diesel (includes items 2 through 9) .....	1
2	1011084	Nut, 1/4-28 Hex Jam .....	2
3	102298401	Nut,m8,all Metal Lock .....	1
4	102475701	Clip, Brake Line .....	3
5	102615801	Joint, Ball, .346 Dia .....	2
6	102767101	Cable, Trans Shift, AWD, Long .....	1
7	103650301	Cable, Accel, Awd, Diesel, Se .....	1
8	103795901	Bkt, Accel, Cable, Common .....	1
9	8990	Tie Wrap, 8" Nylon .....	1

**9**

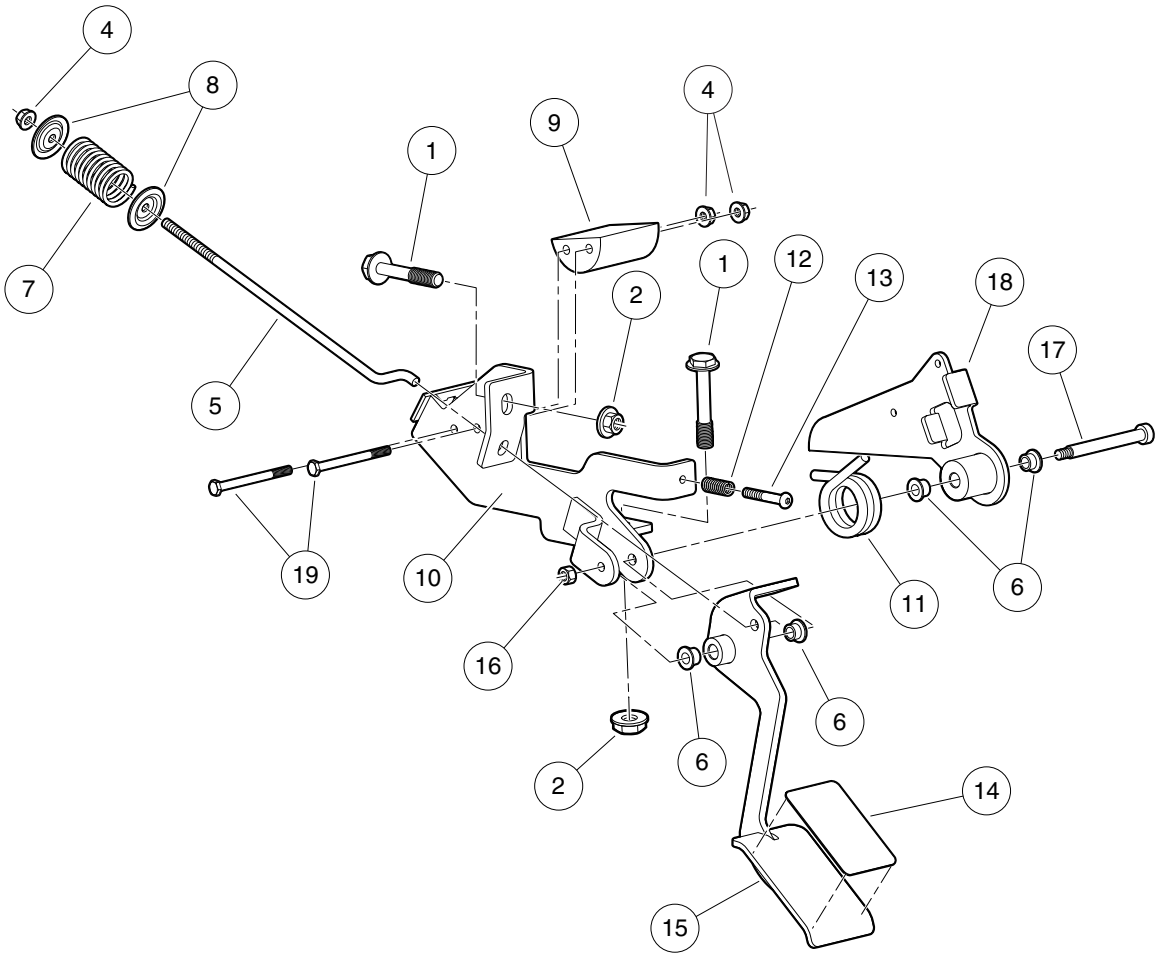
**G**

**D**

9

G

D



000026-002

# ACCELERATOR PEDAL ASSEMBLY

ITEM	PART NO.	DESCRIPTION	QTY
		<b>1 2 3 4</b>	
1	102618301	Bolt Flanged Head, M8 X 1.25 X 65 .....	2
2	102618601	Lock Nut, Flg M8 X 1.25 Nylon .....	2
3	103278101	Asm, Accelerator Pedal (includes items 4 through 19) .....	1
4	102296401	Nut-m6x1.0 Flng All Mtl Lock .....	3
5	N/A	Pullrod, Spring, Compression .....	1
6	102442901	Bushing, Greaseless .....	4
7	102445201	Spring, Comp, Pedal, Pullrod .....	1
8	N/A	Washer, Retaining Spring, 7mm .....	2
9	N/A	Guide, Cable, Accelerator .....	1
10	N/A	Weldment, Bracket, Pedal .....	1
11	N/A	Spring, Torsion .....	1
12	102476301	Spring, Stop, Pedal .....	1
13	102476401	Bolt, Stop, Pedal .....	1
14	102479301	Pad, Grip Tape, Accelerator .....	1
15	N/A	Weldment, Pedal, Accel .....	1
16	102618101	Nut M6x1 Mech Def Center .....	1
17	103273101	Bolt, Shoulder, M8 X 70, Hc .....	1
18	103283201	Weldment, Lever, Lost Motion .....	1
19	96706825	Bolt, M6 X 1 X 70 .....	2

**9**

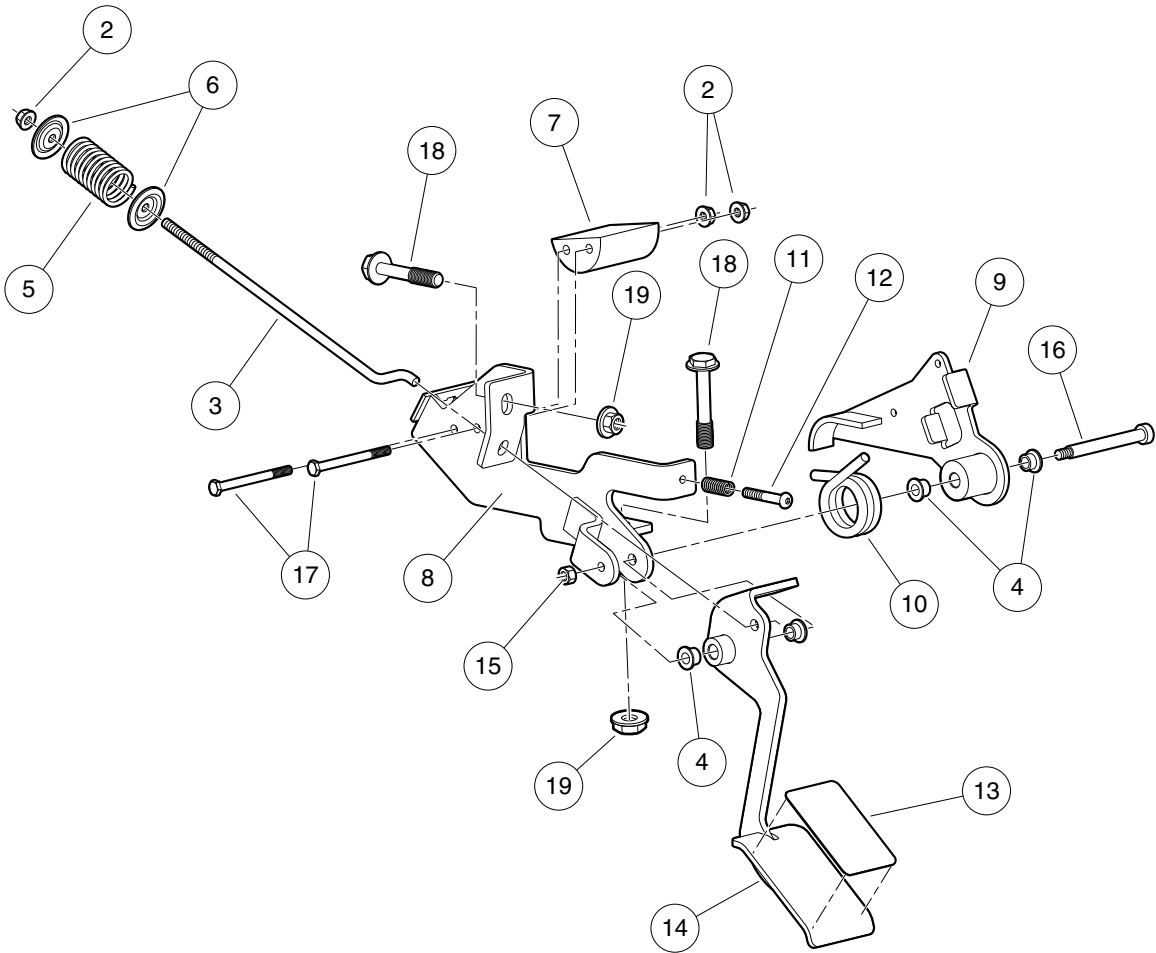
**G**

**D**

9

G

D



000026-001

## ACCELERATOR PEDAL ASSEMBLY – STYLE B

ITEM	PART NO.	DESCRIPTION	QTY
		1 2 3 4	
1	102489901	Asm, Pedal, Accelerator (includes items 2 through 17) .....	1
2	102296401	Nut-m6x1.0 Flng All Mtl Lock .....	3
3	N/A	Pullrod, Spring, Compression .....	1
4	102442901	Bushing, Greaseless .....	4
5	102445201	Spring, Comp, Pedal, Pullrod .....	1
6	N/A	Washer, Retaining Spring, 7mm .....	2
7	N/A	Guide, Cable, Accelerator .....	1
8	N/A	Weldment, Bracket, Pedal .....	1
9	102469401	Weldment, Lever, Motion, Lost .....	1
10	N/A	Spring, Torsion .....	1
11	102476301	Spring, Stop, Pedal .....	1
12	102476401	Bolt, Stop, Pedal .....	1
13	102479301	Pad, Grip Tape, Accelerator .....	1
14	N/A	Weldment, Pedal, Accel .....	1
15	102618101	Nut M6x1 Mech Def Center .....	1
16	103273101	Bolt, Shoulder, M8 X 70, Hc .....	1
17	96706825	Bolt, M6 X 1 X 70 .....	2
18	102618301	Bolt Flanged Head, M8 X 1.25 X 65 .....	2
19	102618601	Lock Nut, Flg M8 X 1.25 Nylon .....	2

9

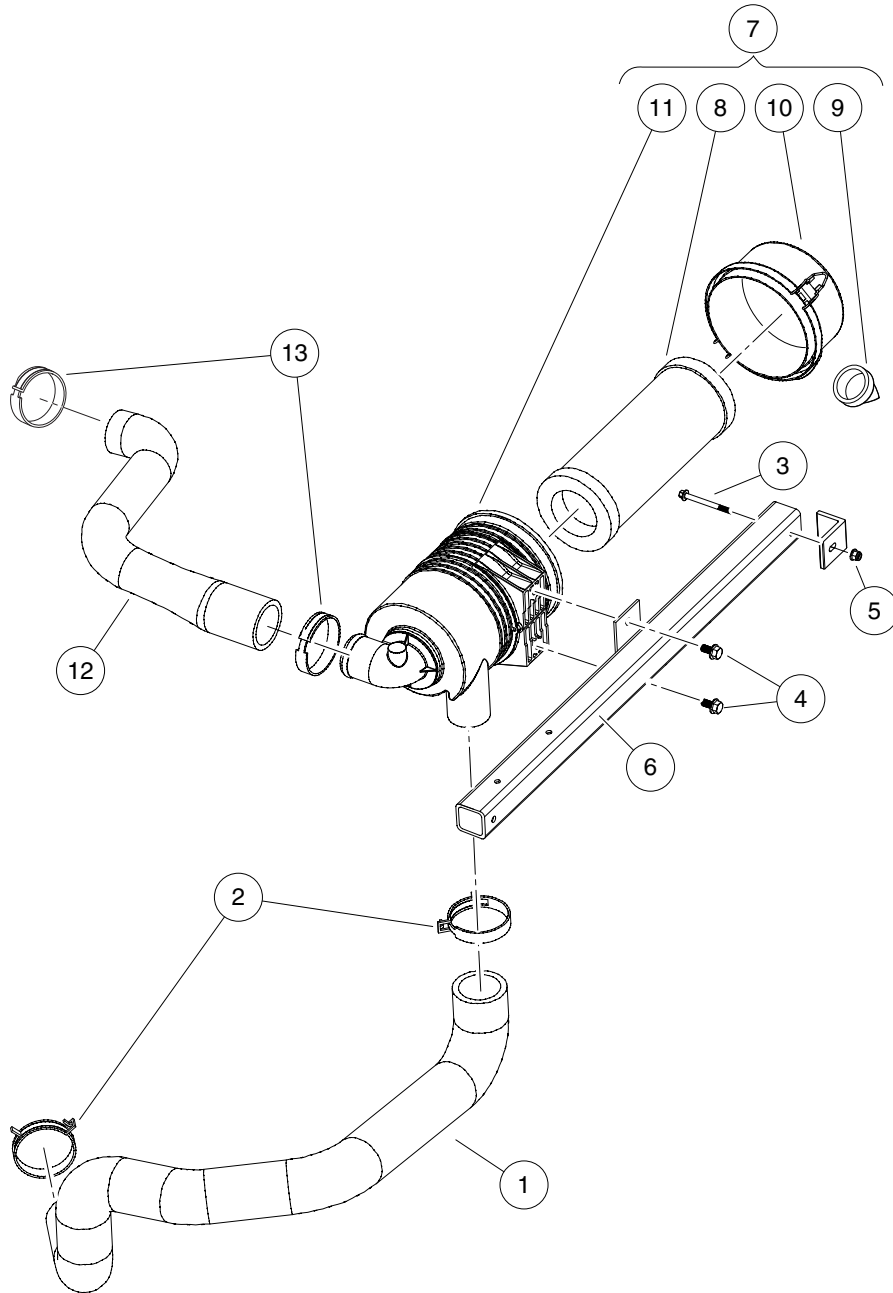
G

D

9

G

D



000090-005



# INTAKE DUCT AND AIR BOX ASSEMBLY – KAWASAKI GASOLINE VEHICLES

ITEM	PART NO.	DESCRIPTION	QTY
		<b>1 2 3 4</b>	
1	102395601	Hose, Intake, Primary .....	1
2	102411210	Clamp, Hose, Ctb 64mm .....	2
3	102541465	Bolt, M 6 X 1.0 X 65 Hex, Flange, Head, Black .....	2
4	102621201	Bolt Flanged Head, M8 X1.25x 16 with Loctite .....	2
5	102621501	Nut Flg, M6 X 1.0 Nylon .....	2
6	N/A	Weldment, Support, Air Cleaner .....	1
7	102810701	Filter, Air, Canister, W/labe (includes items 8 through 11) .....	1
8	102498601	Element, Filter, Air, 5 In .....	1
9	102725501	Valve, Evacuator, Filter Air .....	1
10	102725601	Cap, Latch Lock, Filter, Air .....	1
11	N/A	Body, Canister, Filter, Air .....	1
12	103438201	Intake Awd Hose Gas .....	1
13	103441401	Clamp, Worm Screw, Hose, 2" .....	2

**9**

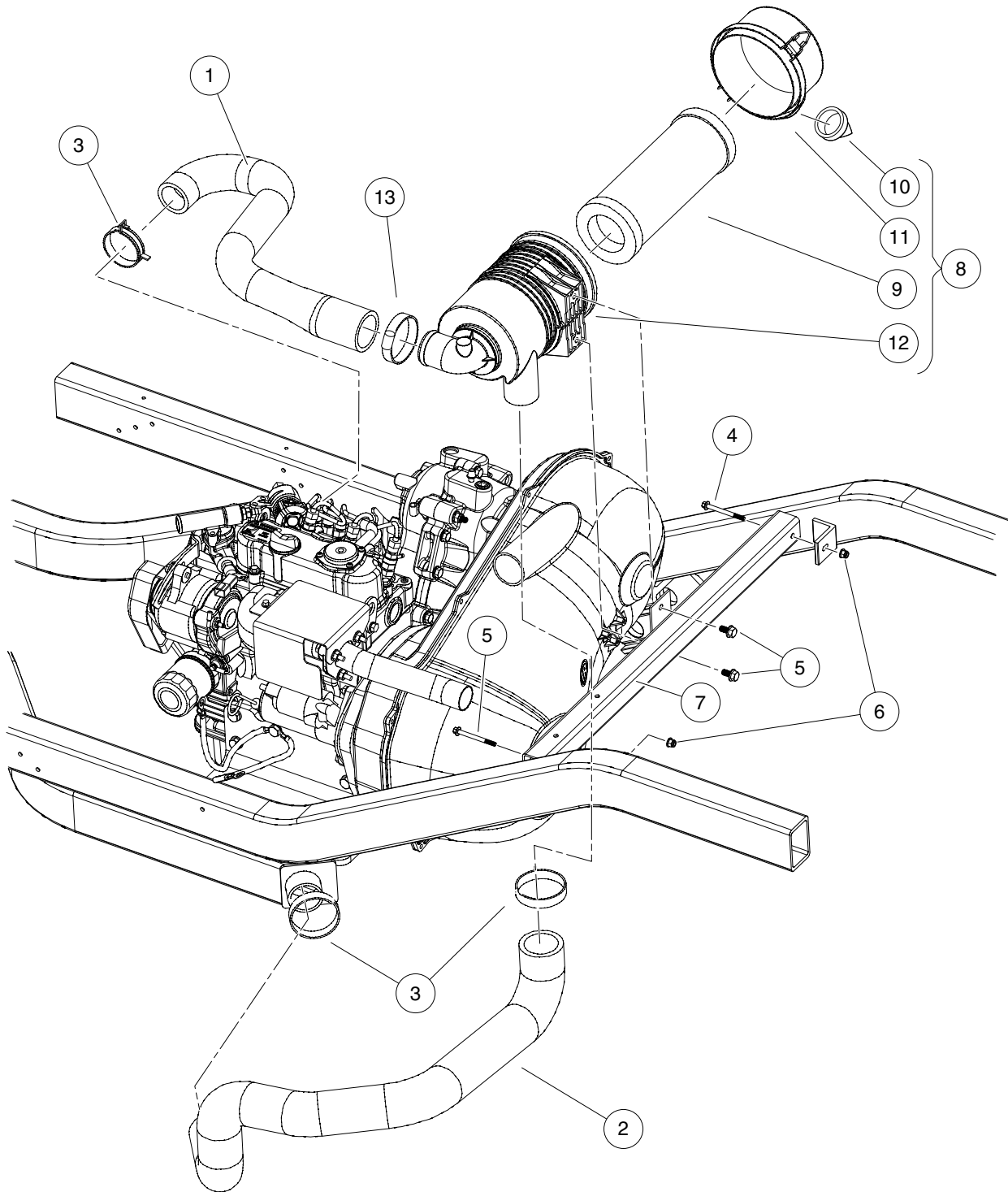
**G**

**D**

9

G

D



000090-002

# INTAKE DUCT AND AIR BOX ASSEMBLY – DIESEL VEHICLES

ITEM	PART NO.	DESCRIPTION	QTY
		1 2 3 4	
1	102379001	Hose, Intake, D722 .....	1
2	102395601	Hose, Intake, Primary .....	1
3	102411209	Clamp, Hose, Ctb 55mm .....	3
4	102541465	Bolt, M 6 X 1.0 X 65 Hex, Flange, Head, Black .....	2
5	102621201	Bolt Flanged Head, M8 X1.25x 16 with Loctite .....	2
6	102621501	Nut Flg, M6 X 1.0 Nylon .....	2
7	N/A	Weldment, Support, Air Cleaner .....	1
8	102810701	Filter, Air, Canister, W/labe (includes items 9 through 12) .....	1
9	102498601	Element, Filter, Air, 5 In .....	1
10	102725501	Valve, Evacuator, Filter Air .....	1
11	102725601	Cap, Latch Lock, Filter, Air .....	1
12	N/A	Body, Canister, Filter, Air .....	1
13	103441401	Clamp, Worm Screw, Hose, 2" .....	1

**9**

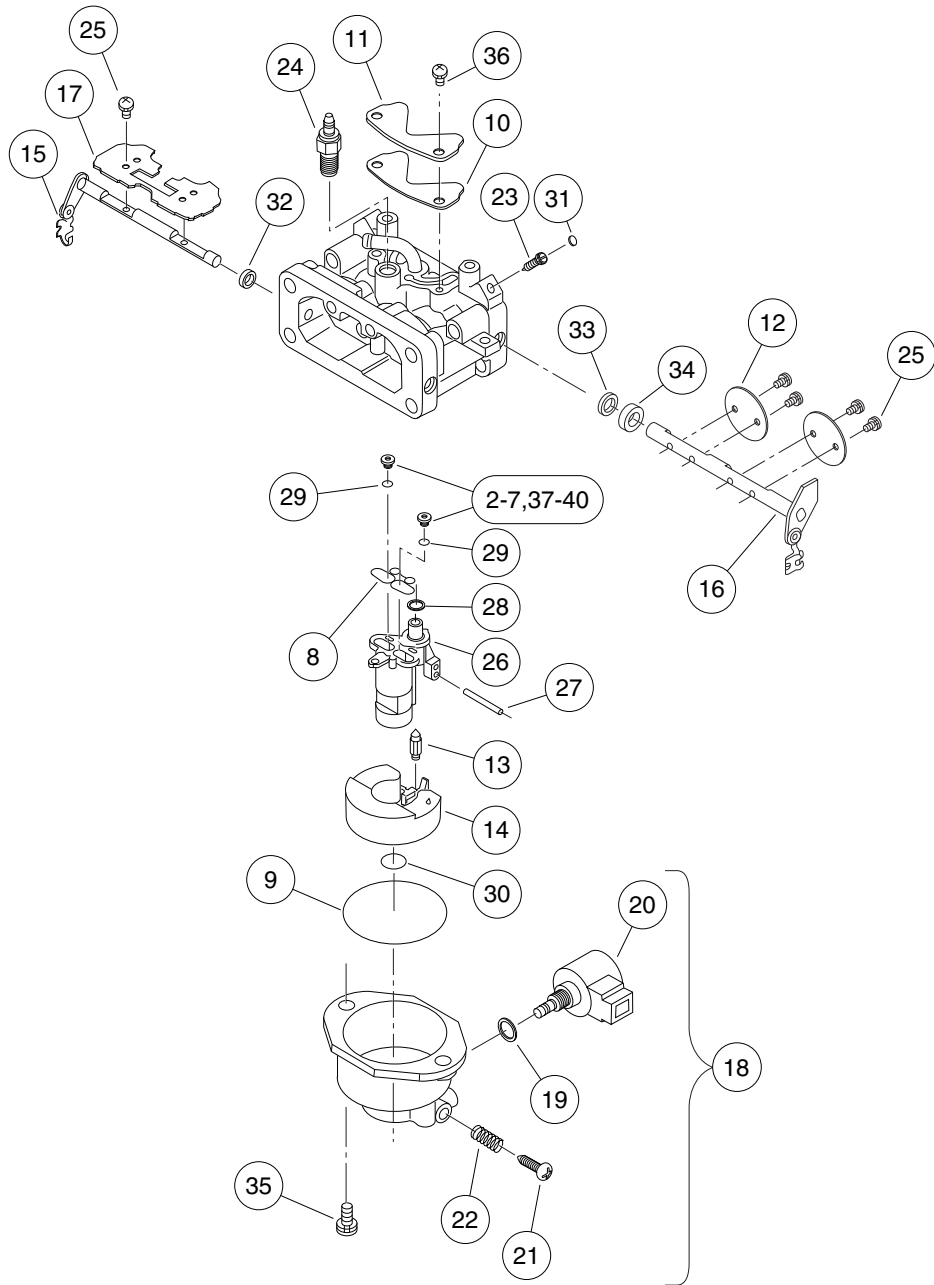
**G**

**D**

9

G

D



000673-003

# CARBURETOR ASSEMBLY, KAWASAKI GASOLINE VEHICLES

ITEM	PART NO.	DESCRIPTION	QTY
		1 2 3 4	
1	103596801	Asm, Carburetor, FH680D (includes items 2 through 37) .....	1
2	103307201	Kit, Jet, 6600 Ft +, Fh680d (includes items 3 and 4) .....	1
3	103306801	Jet, Push In #96, FH680D (6600 ft and higher (2000 m and higher)) .....	2
4	N/A	Instructions, Kit, Jet, Push In .....	1
5	103307301	Kit, Jet, 3300-6600 Ft, Fh680d (includes items 6 and 7) .....	1
6	103306901	Jet, Push In #99, FH680D (3300-6600 ft (1000-2000 m)) .....	2
7	N/A	Instructions, Kit, Jet, Push In .....	1
8	103340601	Gasket, Fh680d .....	1
9	103340701	Gasket, Carburetor, Dia. 52 .....	1
10	103340801	Gasket, Cover, Fh680d .....	1
11	103340901	Cover, Slow Passage, Fh680d .....	1
12	103341101	Valve, Throttle, Fh680d .....	2
13	103341201	Valve, Float, Fh680d .....	1
14	103341301	Float, Carburetor, Fh680d .....	1
15	103341401	Shaft, Carburetor, Fh680d .....	1
16	103341501	Shaft, Carburetor, Throttle .....	1
17	103341601	Valve, Carburetor, Fh680d .....	1
18	103341701	Asm, Chamber, Float, Fh680d (includes items 19 through 22) .....	1
19	103340501	Gasket, Carburetor, Fh680d .....	1
20	103341901	Solenoid, Carburetor, Fh680d .....	1
21	103342201	Screw, Drain, Carburetor .....	1
22	103343601	Spring, Carburetor, Fh680d .....	1
23	103341801	Needle, Jet, Fh680d .....	2
24	103342001	Heater, Carburetor, Fh680d .....	1
25	103342101	Screw, Carburetor, M3 X 6 .....	6
26	103342301	Spacer, Carburetor, Fh680d .....	1
27	N/A	Pin, Carburetor, Fh680d .....	1
28	103342501	O-ring, Carburetor, Dia. 6.5 .....	1
29	103342601	O-ring, Carburetor, Fh680d .....	2
30	103342701	O-ring, Carburetor, Dia. 9 .....	1
31	103343301	Plug, Expansion, Carburetor .....	2
32	103343401	Seal, Carburetor, Dia. 5.9 .....	1
33	103343501	Seal, Carburetor, Fh680d .....	1
34	103343701	Collar, Carburetor, Fh680d .....	1
35	103343801	Screw, Carburetor, M5 .....	2
36	103343901	Screw, Carburetor, M4 .....	2
37	103596701	Kit, Jet, 0-3300 ft. FH680D (includes items 38 through 40) .....	1
38	103307001	Jet, Push In #102, FH680D (0-3300 ft (0-1000 m)) .....	1
39	N/A	Instructions, Kit, Jet, Push In .....	1
40	N/A	Jet, Push In, #104 FH680D (0-3000 ft (0-1000m)) .....	1

**9**  
**G**  
**D**

9

G

D

# EXHAUST SYSTEM

---

*10*

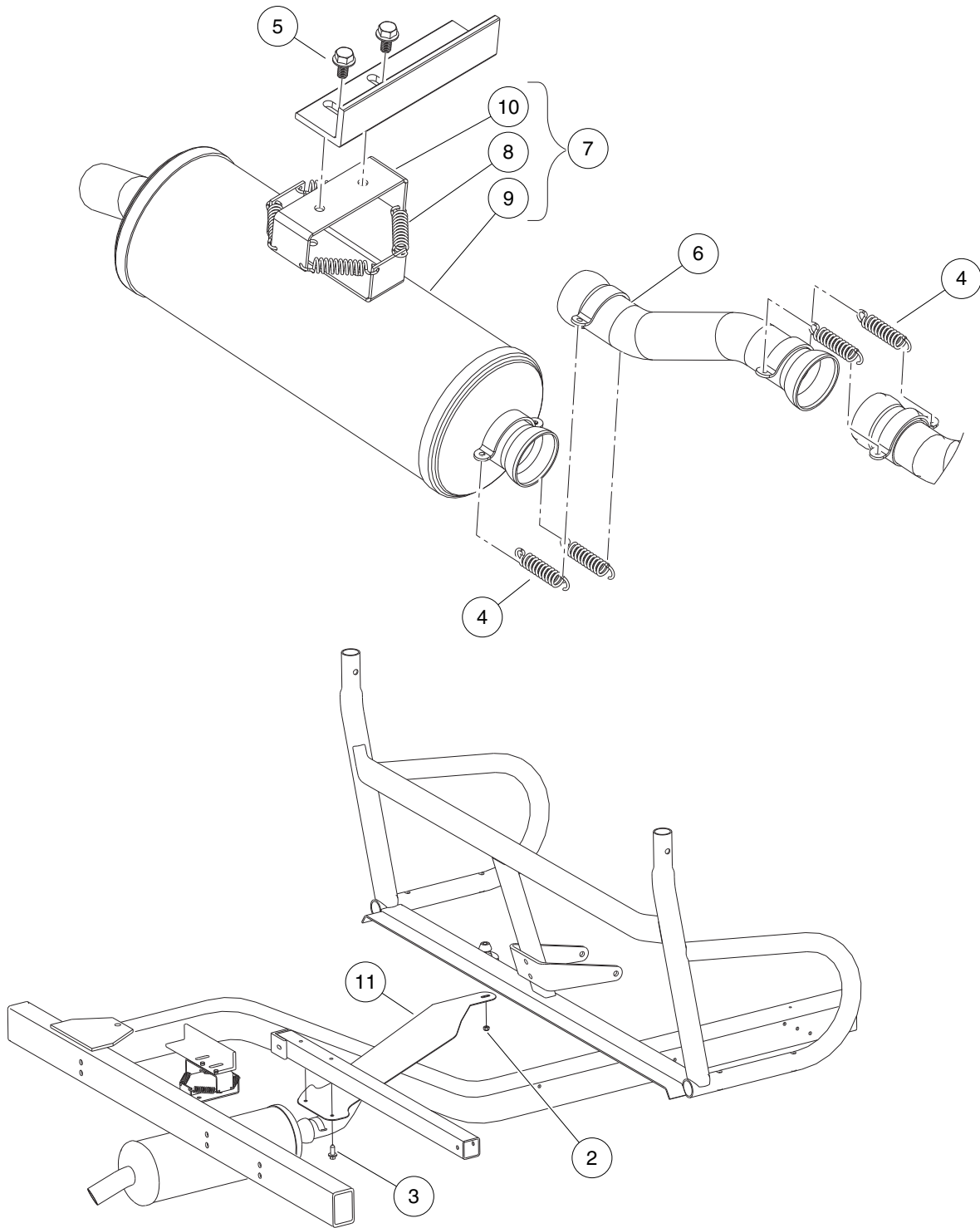
*G*

*D*

10

G

D



000538-001



# EXHAUST SYSTEM

ITEM	PART NO.	DESCRIPTION	QTY
		<b>1 2 3 4</b>	
1	N/A	Instl, Exhaust, AWD (includes items 2 through 11) .....	1
2	101887601	Locknut, M6-1.00 Nylon Insert .....	1
3	102298720	M8-1.25x20 Taptite .....	2
4	102409501	Spring, Exhaust .....	4
5	102621201	Bolt Flanged Head, M8 X1.25x 16 with Loctite .....	2
6	102786201	Pipe, Exhaust, Int, Offset .....	1
7	102812801	Asm, Muffler, AWD Homologation (includes items 8 through 10) .....	1
8	102409501	Spring, Exhaust .....	4
9	N/A	Muffler .....	1
10	N/A	Bracket, Muffler .....	1
11	102930901	Shield, Exhaust, Clearance .....	1

10

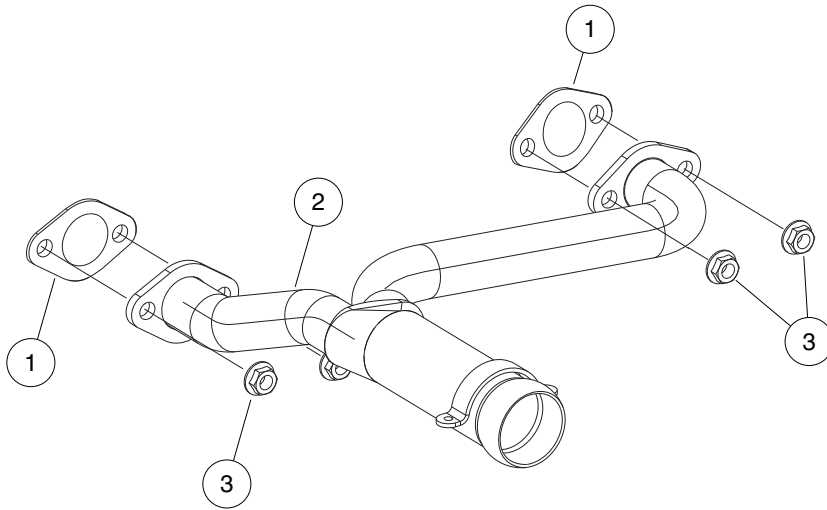
G

D

10

G

D



000538-004

## EXHAUST HEADER – KAWASAKI GAS

ITEM	PART NO.	DESCRIPTION	QTY
		1 2 3 4	
1	102949301	Gasket, Exhaust Header, Fh680d .....	2
2	103268101	Header, Exhaust, Gas, Fh680d .....	1
3	96704416	Nut Flg, M8 X 1.25 Serrated .....	4

10

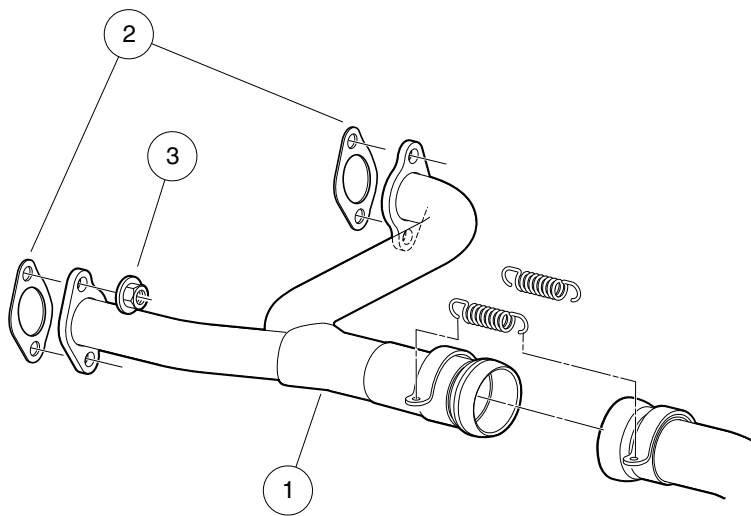
G

D

10

G

D



000538-002

# EXHAUST HEADER – HONDA GAS

ITEM	PART NO.	DESCRIPTION	QTY
		1 2 3 4	
1	102409601	Header, Exhaust, Gas .....	1
2	102834901	Gasket, Exhaust, Gx620 .....	2
3	96704416	Nut Flg, M8 X 1.25 Serrated .....	4

10

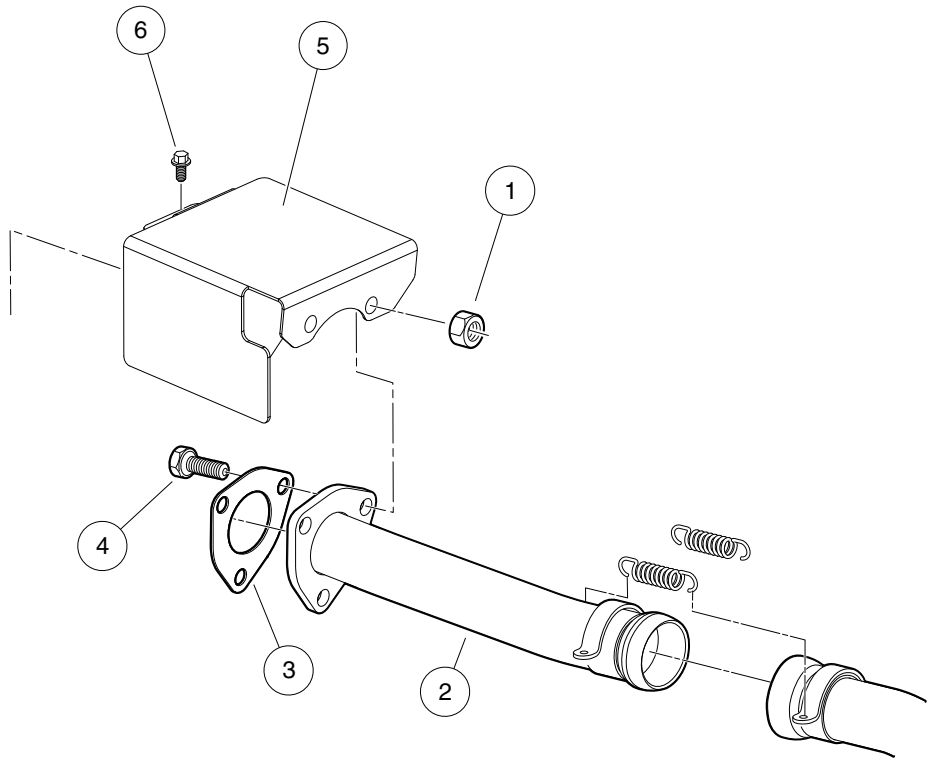
G

D

10

G

D



000538-003

## EXHAUST PIPES – DIESEL VEHICLES

ITEM	PART NO.	DESCRIPTION	QTY
		<b>1 2 3 4</b>	
1	102298401	Nut,m8,all Metal Lock .....	3
2	102409301	Pipe, Exhaust Diesel Main .....	1
3	102422301	Gasket, Exhaust Diesel .....	1
4	102621301	Bolt, M8 X 1.25 X 40 with Loctite .....	3
5	102628101	Shield, Diesel Exhaust .....	1
6	102731601	Bolt, D722, Exhst Manfld Cover .....	1

10

G

D

**10**

**G**

**D**



# CLUTCHES

---

11

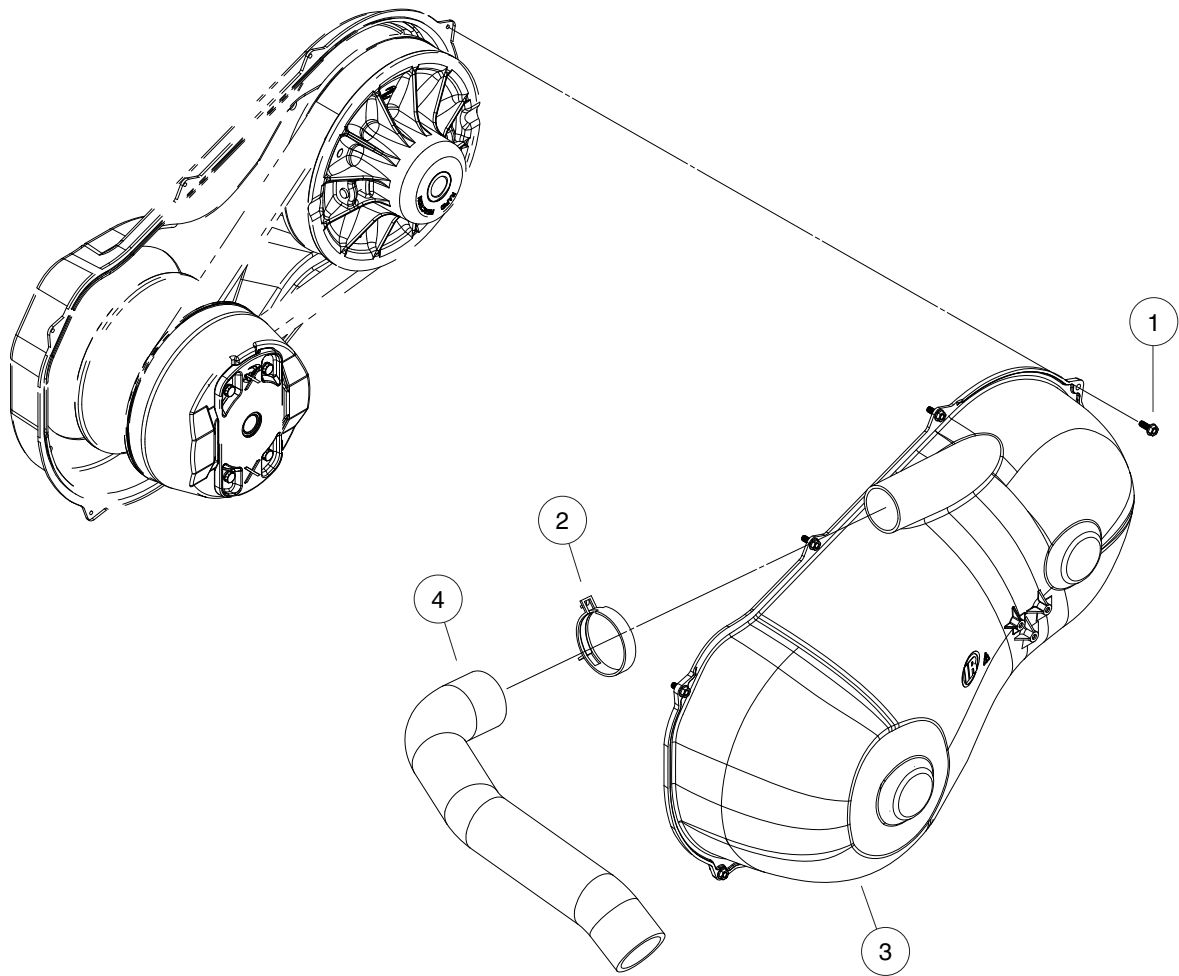
G

D

11

G

D



000008-002

## CLUTCH COVER (STANDARD)

ITEM	PART NO.	DESCRIPTION	QTY
		1 2 3 4	
1	102296716	Screw, M6 X 16 Tt Hx Fl Hd .....	7
2	102411210	Clamp, Hose, Ctb 64mm .....	1
3	N/A	Cover, Cvt, Open .....	1
4	103320601	Hose, Outlet, Cvt .....	1

11

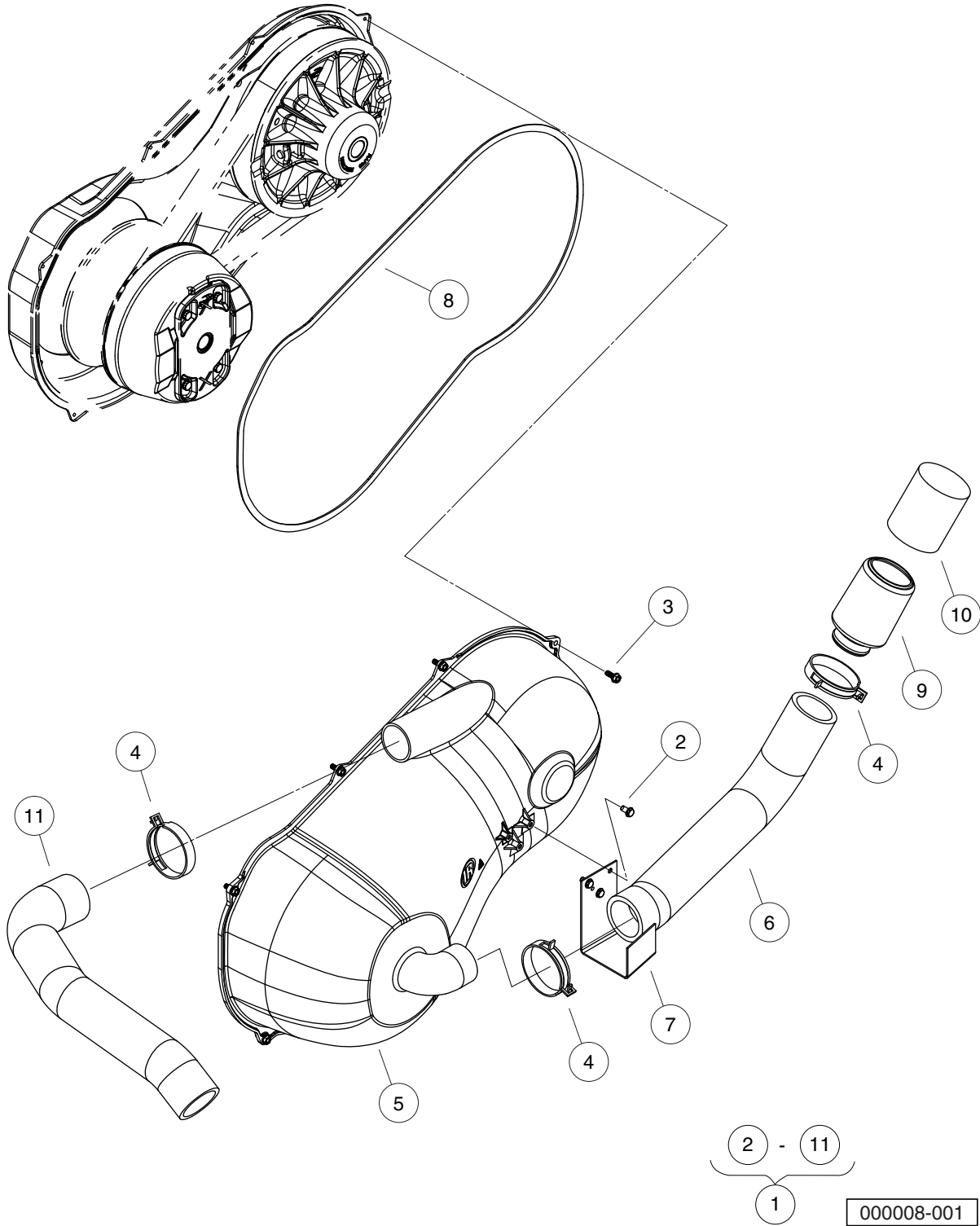
G

D

11

G

D



## CLUTCH COVER (SEALED)

ITEM	PART NO.	DESCRIPTION	QTY
		<b>1 2 3 4</b>	
1	102616003	Kit, Sealed CVT Cover (includes items 2 through 11) .....	1
2	101856102	Screw, 1/4-15 X 1.50 Hi-lo Hex .....	3
3	102296716	Screw, M6 X 16 Tt Hx Fl Hd .....	7
4	102411210	Clamp, Hose, Ctb 64mm .....	2
5	102414501	Cover, CVT Outer .....	1
6	102481001	Hose, Inlet, Cover, CVT .....	1
7	102481201	Bracket, Inlet, Cover, CVT .....	1
8	102481301	Gasket, Cover, CVT .....	1
9	102616101	Cap, Inlet, Cover, CVT .....	1
10	102628001	Filter, Inlet, Cover, CVT .....	1
11	103320601	Hose, Outlet, Cvt .....	1

**11**

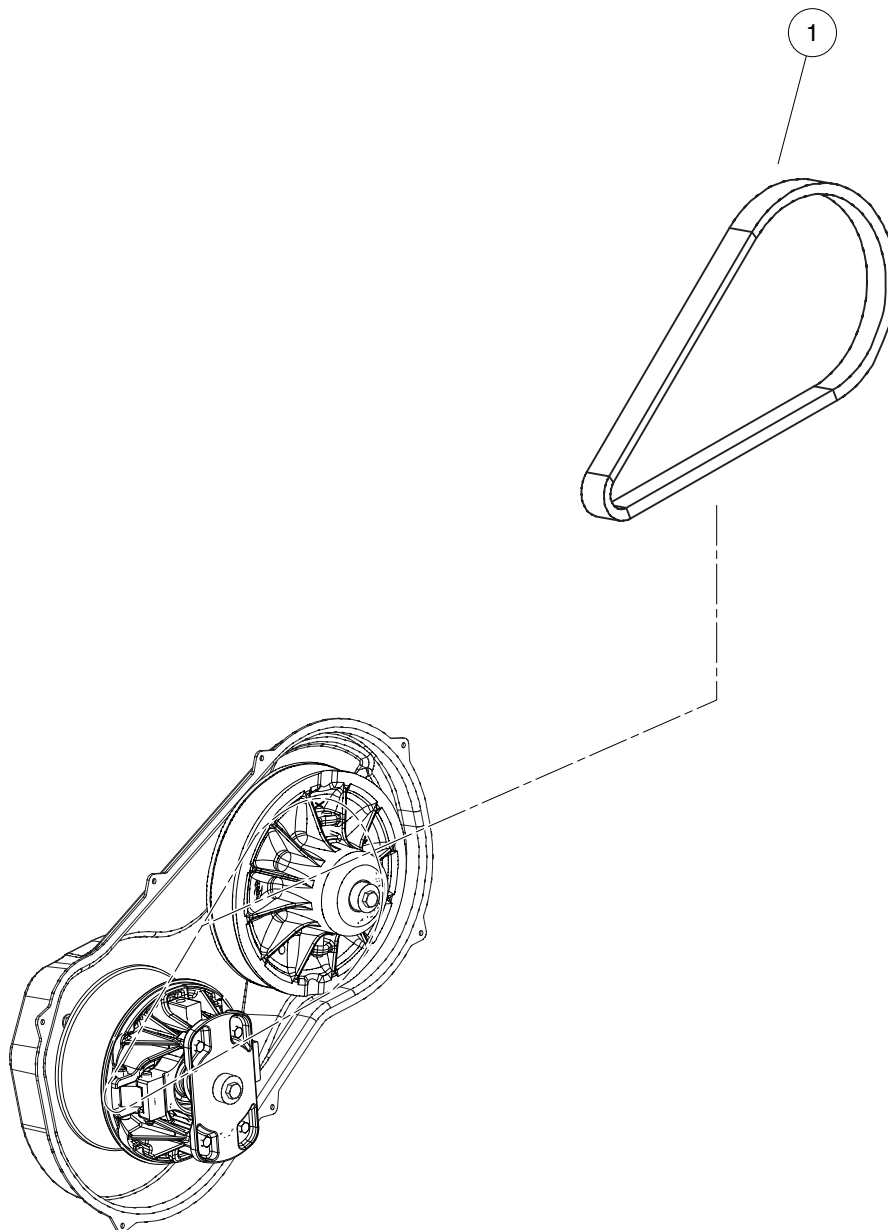
**G**

**D**

11

G

D



000084-001

# DRIVE BELT

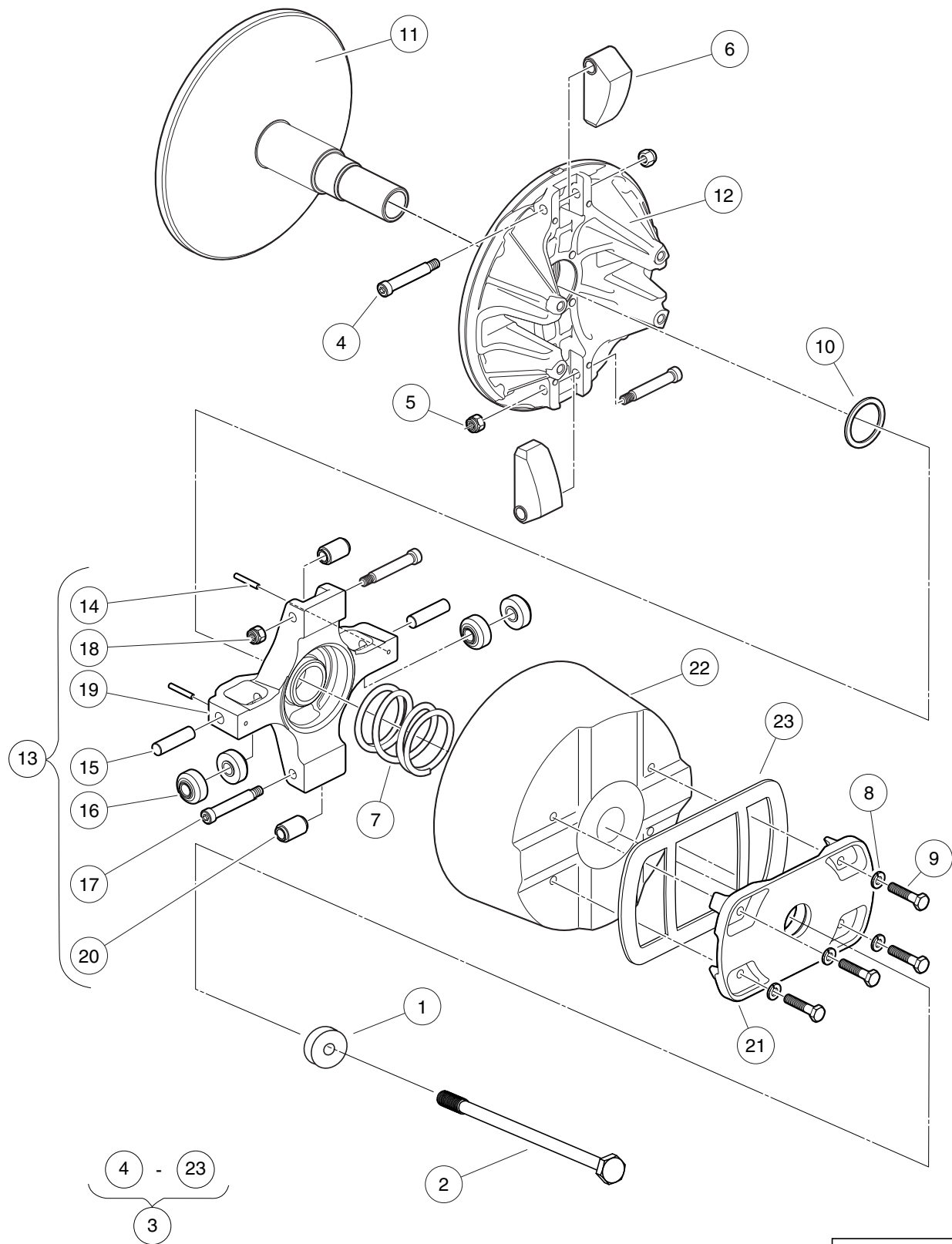
ITEM	PART NO.	DESCRIPTION	QTY
1	102374901	1 2 3 4 Belt, Drive .....	1

**11**  
**G**  
**D**

11

G

D



000007-004



# DRIVE CLUTCH – DIESEL VEHICLES

ITEM	PART NO.	DESCRIPTION	QTY
		<b>1 2 3 4</b>	
1	102385601	Washer, Stepped .....	1
2	102616501	Bolt, M10 X 1.5 X 160 .....	1
3	103185501	Clutch, 4x4, Diesel, W/cover (includes items 4 through 23) .....	1
4	102690501	Screw, Shlder Hex, .312 X 1.75 .....	2
5	102690701	Nut, Lock Hex, 1/14-20, Flexlc .....	2
6	102690801	Sub Assy, Wt Clutch, Diesel .....	2
7	102691401	Spring, Compression, Primary .....	1
8	102691601	Washer, Lock, H-Spring, 1/4 .....	4
9	102691701	Screw, Cap, Hex Hd, 1/4 X 1.25 .....	4
10	102691801	Shim, 1.63 X 1.33 .....	1
11	N/A	Subassembly, Drive Clutch .....	1
12	N/A	Subassembly, Moveable, Drive Clutch .....	1
13	N/A	Subassembly, Spider Utility, Diesel (includes items 14 through 20) .....	1
14	102690201	Pin, Spring Slotted, 1.25 X 1.0 .....	2
15	102690301	Pin, Dowel, .375 X 1.50 .....	2
16	102690401	Roller, Torque, Diesel .....	4
17	102690501	Screw, Shlder Hex, .312 X 1.75 .....	2
18	102690701	Nut, Lock Hex, 1/14-20, Flexlc .....	2
19	N/A	Spider, Drive Clutch .....	1
20	102839401	Sub Assy, Roller Weight .....	2
21	N/A	Cover, Drive Clutch .....	1
22	103185801	Cover, Clutch, 4x4 .....	1
23	103185901	Gasket, Cover, Clutch, 4x4 .....	1

**11**

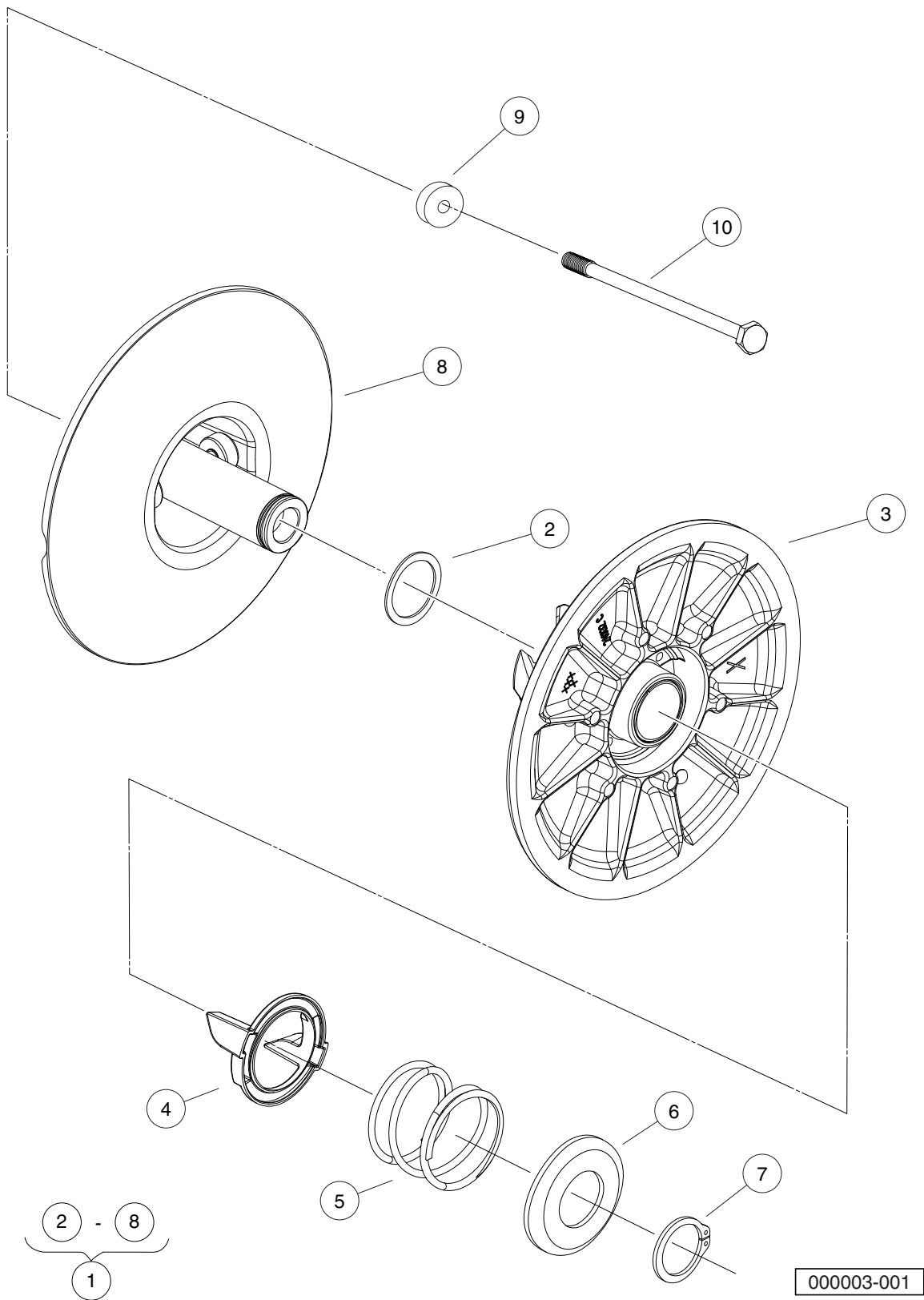
**G**

**D**

11

G

D



000003-001

# DRIVEN CLUTCH

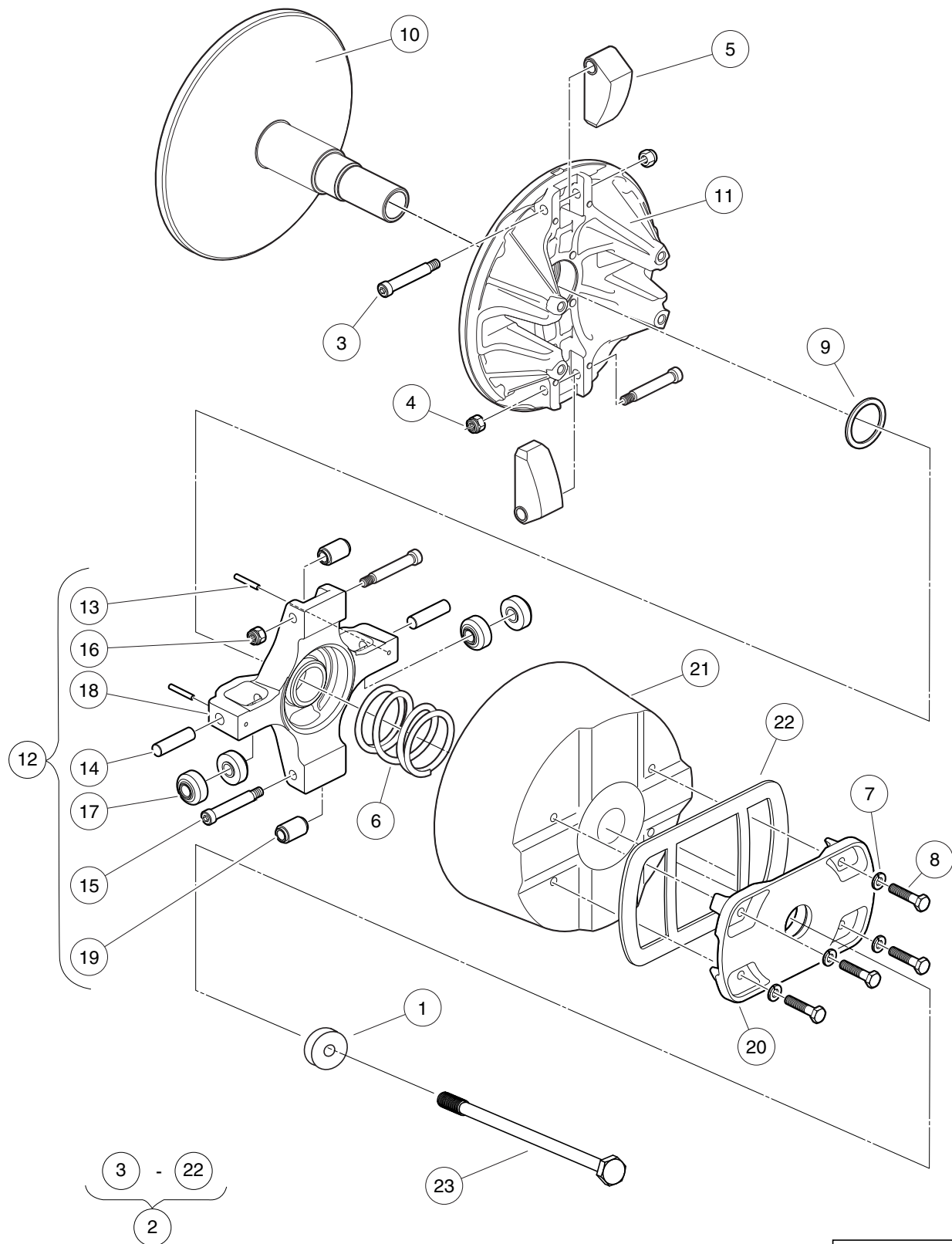
ITEM	PART NO.	DESCRIPTION	QTY
		<b>1 2 3 4</b>	
1	102369901	CVT, Secondary (includes items 2 through 8) .....	1
2	102695401	Washer, Thrust, 1.53 X 1.92 .....	1
3	N/A	Sheave, Driven Clutch .....	1
4	102695601	Retainer, Spring, Inner .....	1
5	102695701	Spring, Compression, Secondary .....	1
6	102695801	Retainer, Spring, Outer .....	1
7	102695901	Ring, Retaining, External .....	1
8	N/A	Driven Clutch Base Sheave .....	1
9	102385701	Washer, Stepped .....	1
10	102719301	Bolt, M10 X 1.50 X 90, Loctite .....	1

**11**  
**G**  
**D**

11

G

D



000007-005

## DRIVE CLUTCH – GASOLINE VEHICLES

ITEM	PART NO.	DESCRIPTION	QTY
		<b>1 2 3 4</b>	
1	102385601	Washer, Stepped .....	1
2	103185401	Clutch, 4x4, Gas, W/cover (includes items 3 through 22) .....	1
3	102690501	Screw, Shlder Hex, .312 X 1.75 .....	2
4	102690701	Nut, Lock Hex, 1/14-20, Flexlc .....	2
5	102691001	Sub Assy, Wt Clutch, Gas .....	2
6	102691401	Spring, Compression, Primary .....	1
7	102691601	Washer, Lock, H-Spring, 1/4 .....	4
8	102691701	Screw, Cap, Hex Hd, 1/4 X 1.25 .....	4
9	102691801	Shim, 1.63 X 1.33 .....	1
10	N/A	Subassembly, Drive Clutch .....	1
11	N/A	Subassembly, Moveable, Drive Clutch .....	1
12	N/A	Spider Subassembly (Gasoline) (includes items 13 through 19) .....	1
13	102690201	Pin, Spring Slotted, 1.25 X 1.0 .....	2
14	102690301	Pin, Dowel, .375 X 1.50 .....	2
15	102690501	Screw, Shlder Hex, .312 X 1.75 .....	2
16	102690701	Nut, Lock Hex, 1/14-20, Flexlc .....	2
17	102691901	Roller, Torque, Gas .....	4
18	N/A	Spider, Drive Clutch .....	1
19	102839401	Sub Assy, Roller Weight .....	2
20	N/A	Cover, Drive Clutch .....	1
21	103185801	Cover, Clutch, 4x4 .....	1
22	103185901	Gasket, Cover, Clutch, 4x4 .....	1
23	103201501	Bolt, M8 X 1.25 X 200, Loctite .....	1

11

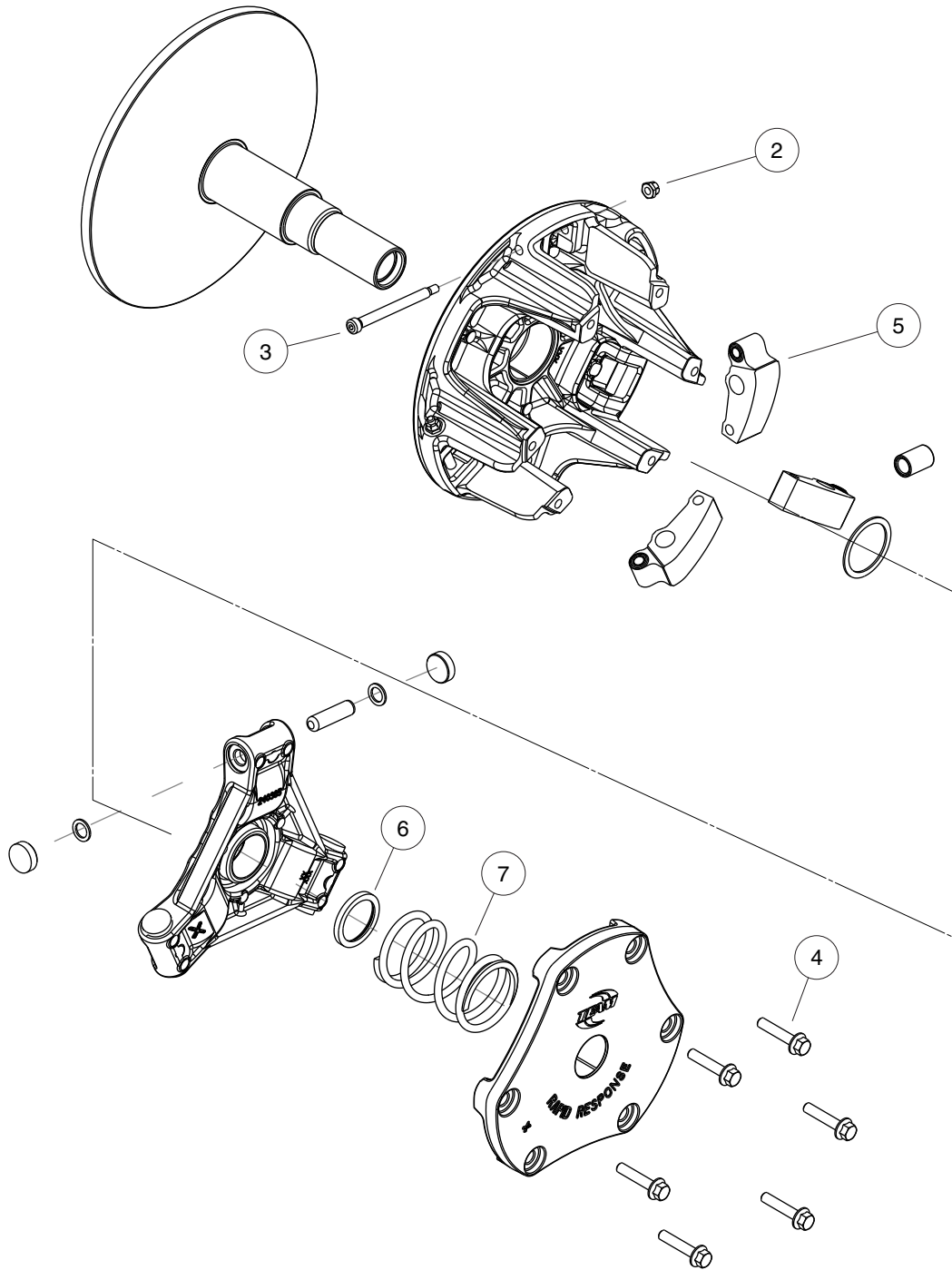
G

D

11

G

D



000007-006

## DRIVE CLUTCH – GASOLINE VEHICLES

ITEM	PART NO.	DESCRIPTION	QTY
		<b>1 2 3 4</b>	
1	103848001	Clutch, Drive, Gas, 3 Weight (includes items 2 through 7) .....	1
2	103829601	Nut, Lock, Hex #10-24 Flexloc .....	3
3	103829701	Screw, Shldr, Hex Skt .25x2.5 .....	1
4	103829801	Screw, Hex Flg Hd, 1/4-20x1.25 .....	6
5	103829901	Weight, Clutch, D-153 G .....	3
6	103830001	Spacer, Clutch 1.44x1.125x.150 .....	1
7	103856101	Spring, Comp, 2.0 Od Black/slv .....	1

11

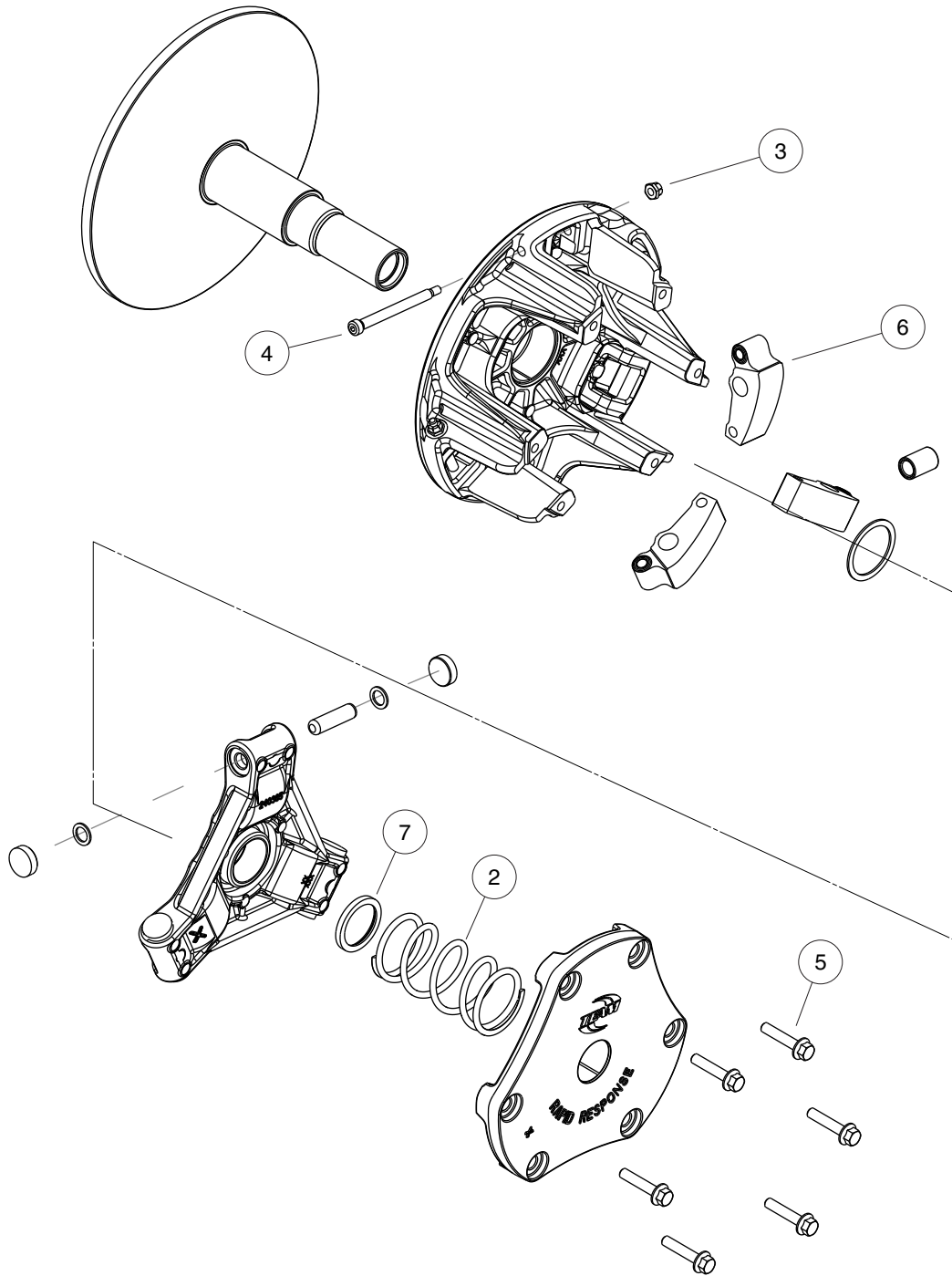
G

D

11

G

D



000007-007



# DRIVE CLUTCH – DIESEL VEHICLES

ITEM	PART NO.	DESCRIPTION	QTY
		<b>1 2 3 4</b>	
1	103828101	Clutch, Drive, Dsl, 3 Weight (includes items 2 through 7) .....	1
2	103829501	Spring, Comp, 2.0 Od Black/or .....	1
3	103829601	Nut, Lock, Hex #10-24 Flexloc .....	3
4	103829701	Screw, Shldr, Hex Skt .25x2.5 .....	3
5	103829801	Screw, Hex Flg Hd, 1/4-20x1.25 .....	6
6	103829901	Weight, Clutch, D-153 G .....	3
7	103830001	Spacer, Clutch 1.44x1.125x.150 .....	1

11

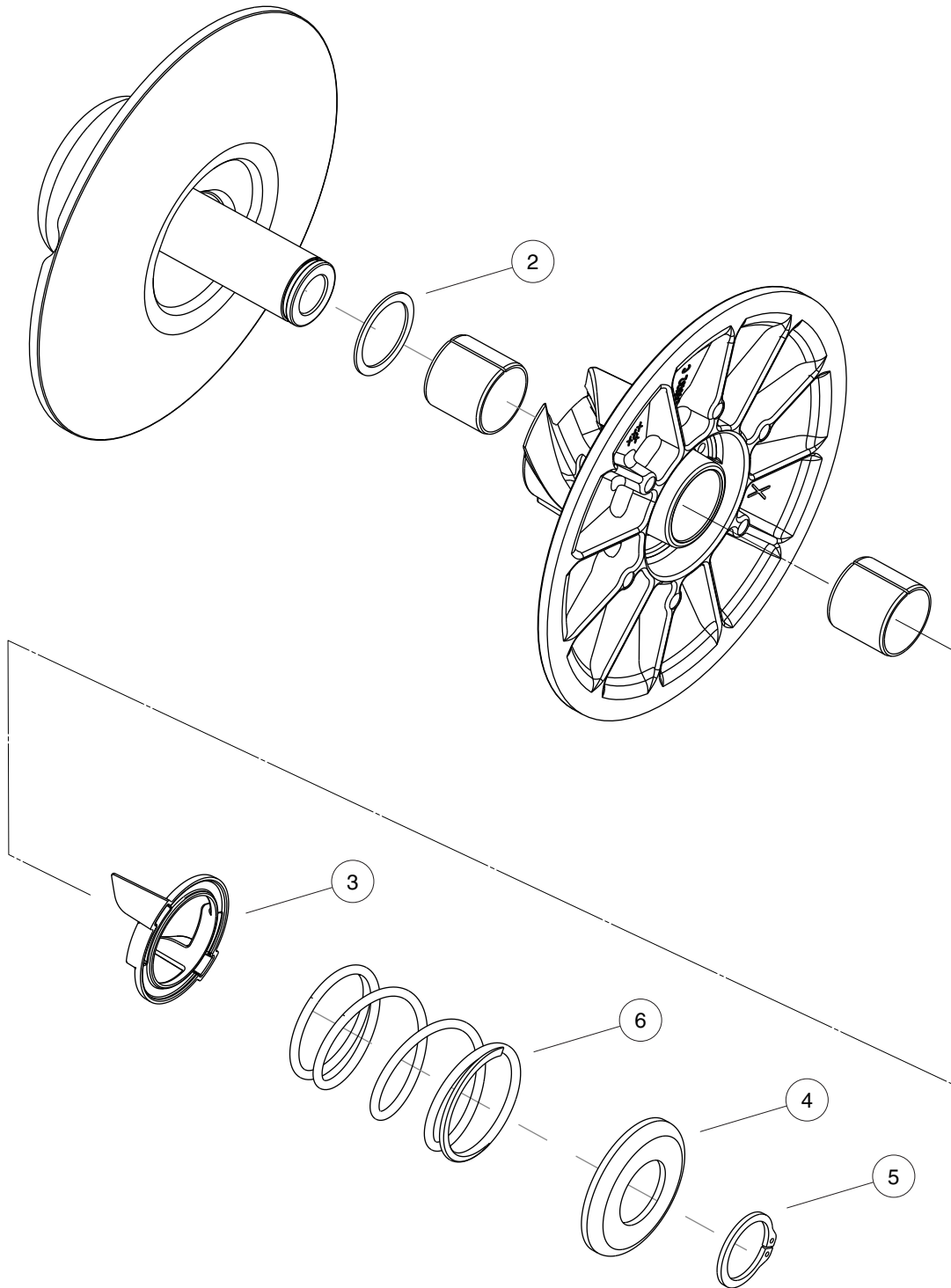
G

D

11

G

D



000003-002

# DRIVEN CLUTCH

ITEM	PART NO.	DESCRIPTION	QTY
		<b>1 2 3 4</b>	
1	103828201	Clutch, Driven, 3 Weight (includes items 2 through 6) .....	1
2	102695401	Washer, Thrust, 1.53 X 1.92 .....	1
3	102695601	Retainer, Spring, Inner .....	1
4	102695801	Retainer, Spring, Outer .....	1
5	102695901	Ring, Retaining, External .....	1
6	103829001	Spring, Comp, 2.7 Od, Almd/blk .....	1

**11**

**G**

**D**

**11**

**G**

**D**

# DRIVETRAIN COMPONENTS

---

12

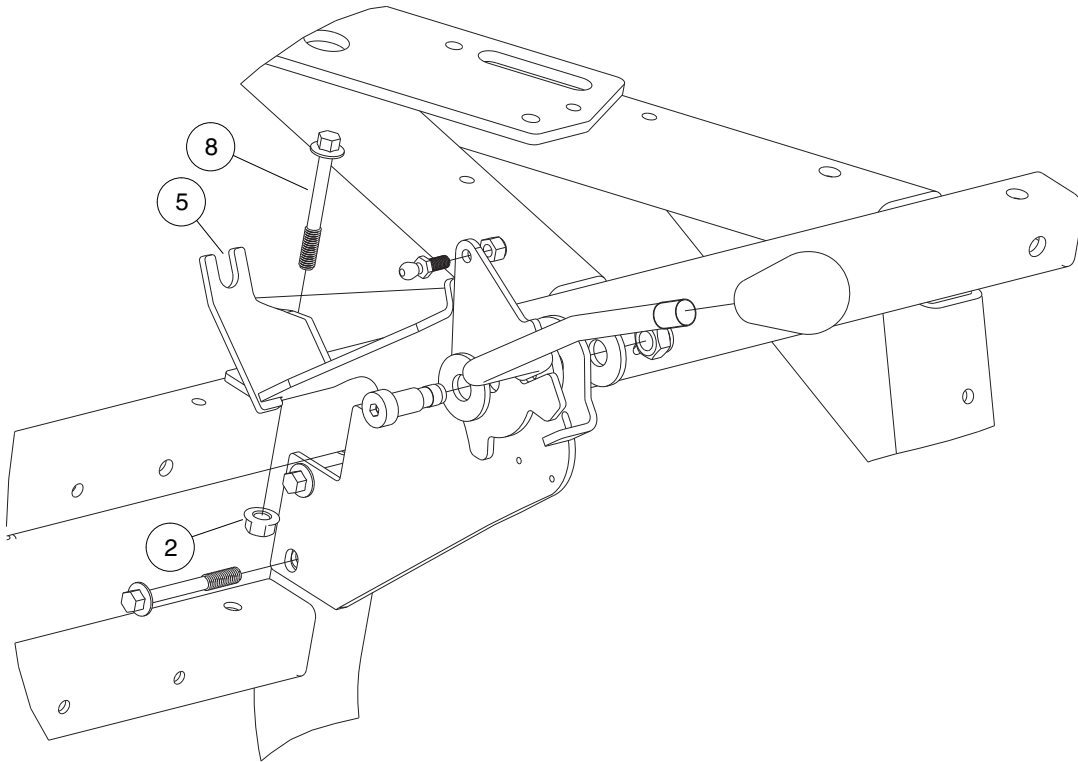
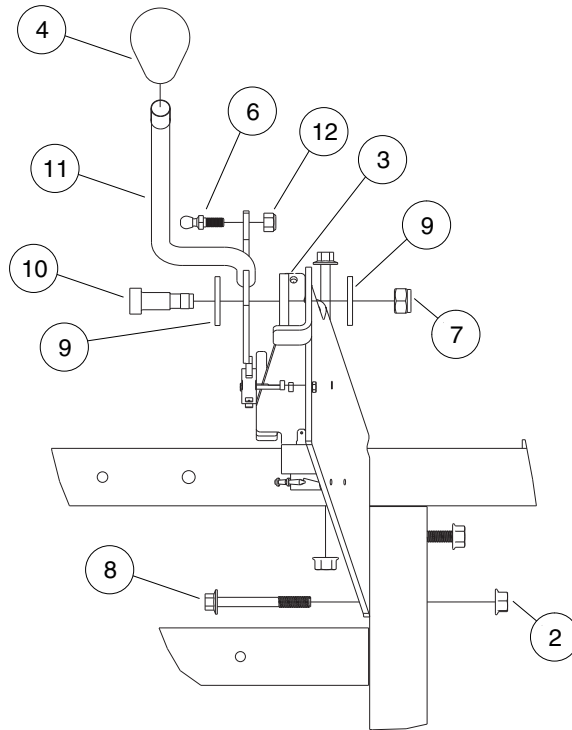
G

D

12

G

D



000030-003

## FORWARD/REVERSE SHIFTER ASSEMBLY

ITEM	PART NO.	DESCRIPTION	QTY
		1 2 3 4	
1	N/A	Instl, Fnr, Shifter, Dom (includes items 2 through 13) .....	1
2	102298401	Nut,m8,all Metal Lock .....	3
3	102375901	Bushing, Fnr .....	1
4	102376001	Knob, Fnr .....	1
5	N/A	Weldment, FNR Shifter Bracket .....	1
6	102615701	Stud, Ball, .346 Dia .....	1
7	102616701	Locknut, M10x1.5 Nylon Insert .....	1
8	102618301	Bolt Flanged Head, M8 X 1.25 X 65 .....	3
9	102684501	Washer, M12 Hard Regular .....	2
10	102684601	Shoulder Bolt,m12 X 20 M10 Thd .....	1
11	103187501	Weldment, FNR Shifter .....	1
12	8717	Locknut, 1/4-28 Nylon Insert .....	1
13	8990	Tie Wrap, 8" Nylon .....	2

12

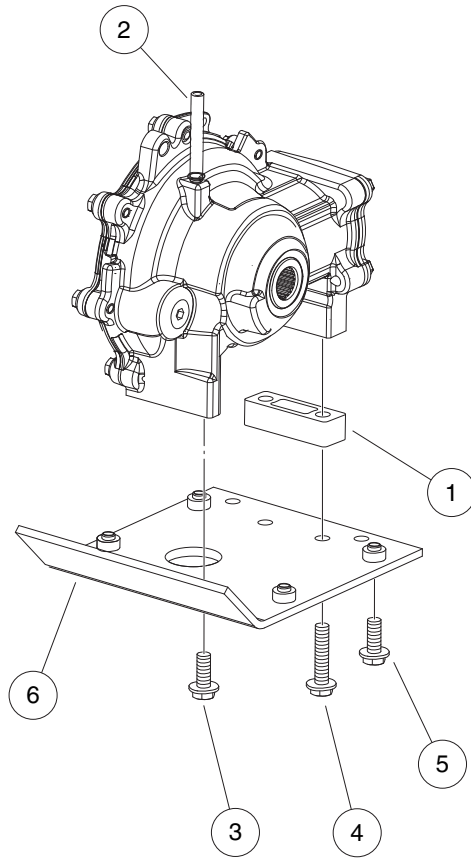
G

D

12

G

D



000012-003



# FRONT DIFFERENTIAL MOUNTING PLATE

ITEM	PART NO.	DESCRIPTION	QTY
		1 2 3 4	
1	102381701	Spacer Block, Diff .....	1
2	102462401	Hose, Vent, Front Diff .....	1
3	102491001	Bolt Flanged Head, 3/8-16x1.0 with Loctite .....	2
4	102491101	Bolt Flanged Head, 3/8-16x1.500 with Loctite .....	2
5	102711601	Bolt, Flange Head, M10 X 1.5 X 25 .....	4
6	103244701	Asm, Mount, Diff Plate .....	1

**12**

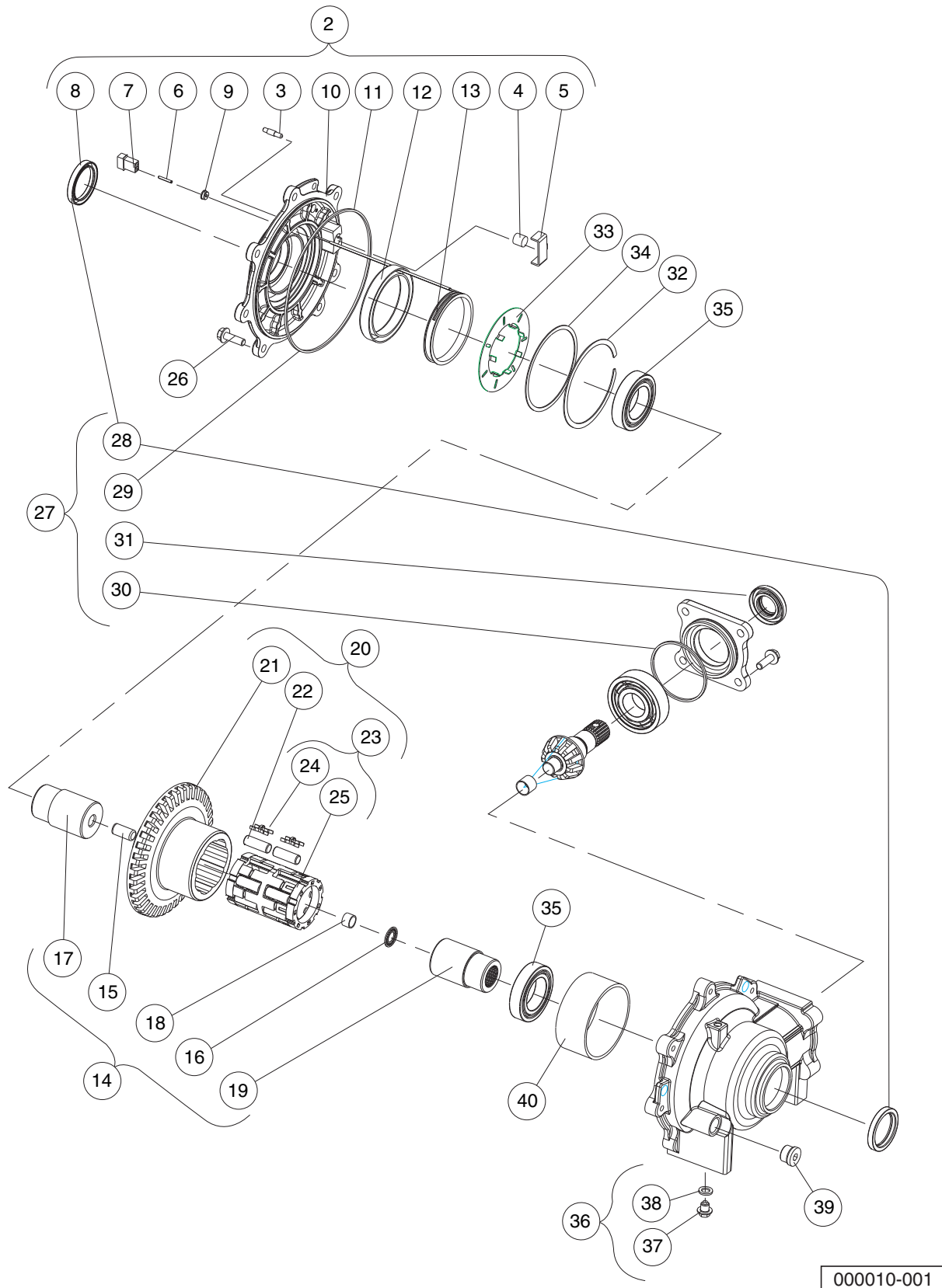
**G**

**D**

12

G

D



## FRONT DIFFERENTIAL (OUTPUT COMPONENTS)

ITEM	PART NO.	DESCRIPTION	QTY
		1 2 3 4	
1	102371801	Differential, Front * (includes items 2 through 40) .....	1
2	102438201	Kit, Assy, Output Cover Plate (includes items 3 through 13) .....	1
3	102439001	Set Screw, #10-24 UNC-3A with Patch .....	1
4	102439101	Thrust Button .....	1
5	102439201	Thrust Plate .....	1
6	N/A	Mate-N-Lock Pin .....	2
7	N/A	Mate-N-Lock Housing .....	1
8	N/A	Oil Seal .....	1
9	N/A	Grommet .....	1
10	N/A	Plate, Output Cover .....	1
11	N/A	O-Ring .....	1
12	N/A	Coil, Pocket Insert .....	1
13	N/A	Coil with Press-Fit Bobbin .....	1
14	102438301	Kit, Assy, Race Output Hub (includes items 15 through 19) .....	1
15	102439401	Pin, Dowel .....	1
16	102439501	Bearing, Needle .....	1
17	N/A	Race/Output Hub, Male .....	1
18	N/A	Bushing, PermiGlide .....	1
19	N/A	Race/Output Hub, Female .....	1
20	102438401	Kit, Assy, Clutch (includes items 21 through 23) .....	1
21	102439601	Clutch Hsg/Ring Gear, Machined .....	1
22	102439801	Kit, Roller (contains 14 rollers) .....	1
23	102439901	Kit, Assy, Roll Cage (includes items 24 and 25) .....	1
24	102439701	Kit, H-Clip Spring (contains 14 clips) .....	1
25	N/A	Roll Cage, Plastic .....	1
26	102438501	Kit, Bolt (contains 7 bolts) .....	1
27	102438601	Kit, Minor Repair (includes items 28 through 31) .....	1
28	N/A	Oil Seal .....	1
29	N/A	O-Ring .....	1
30	N/A	O-Ring .....	1
31	N/A	Oil Seal, Triple-Lipped .....	1
32	102438701	Retaining, Ring Internal .....	1
33	102438801	Plate, Armature .....	1
34	102438901	Shim, Armature, Plate .....	1
35	102439301	Bearing, Ball .....	12
36	102440101	Kit, Assy, Drain Plug (includes items 37 and 38) .....	1
37	N/A	Plug, Oil Drain .....	1
38	N/A	Washer, Nylon, 0.625 x 0.382 x 0.06 .....	1
39	102440301	Plug, Oil Fill .....	1
40	N/A	Bushing, Self-Lubricating, 80 x 85 x 20 .....	1
		* Note: This assembly also contains components listed on the following two pages.	

12

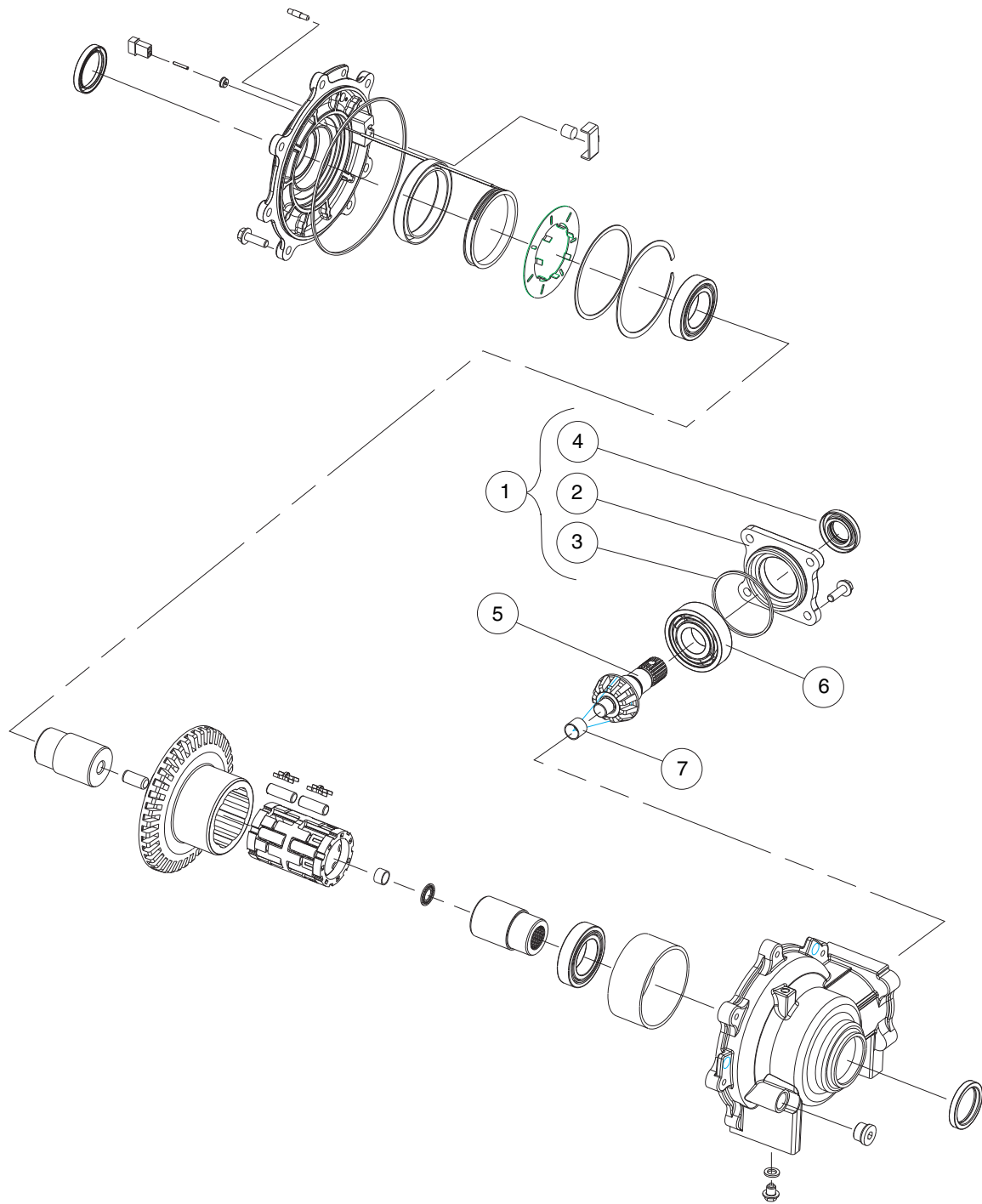
G

D

12

G

D



000010-002

## FRONT DIFFERENTIAL (INPUT COMPONENTS)

ITEM	PART NO.	DESCRIPTION	QTY
		1 2 3 4	
1	102440201	Kit, Assy, Input Cover Plate (includes items 2 through 4) .....	1
2	102440601	Cover, Input, Machined .....	1
3	N/A	O-Ring .....	1
4	N/A	Oil Seal, Triple-Lipped .....	1
5	102440401	Shaft, Pinion, Machined .....	1
6	102440501	Bearing, Ball .....	1
7	N/A	Bushing, Plain 16 Id X 15 Wide .....	1
<p>Note: This page contains a list of components internal to the front differential. See the previous pages for other front differential components.</p>			

12

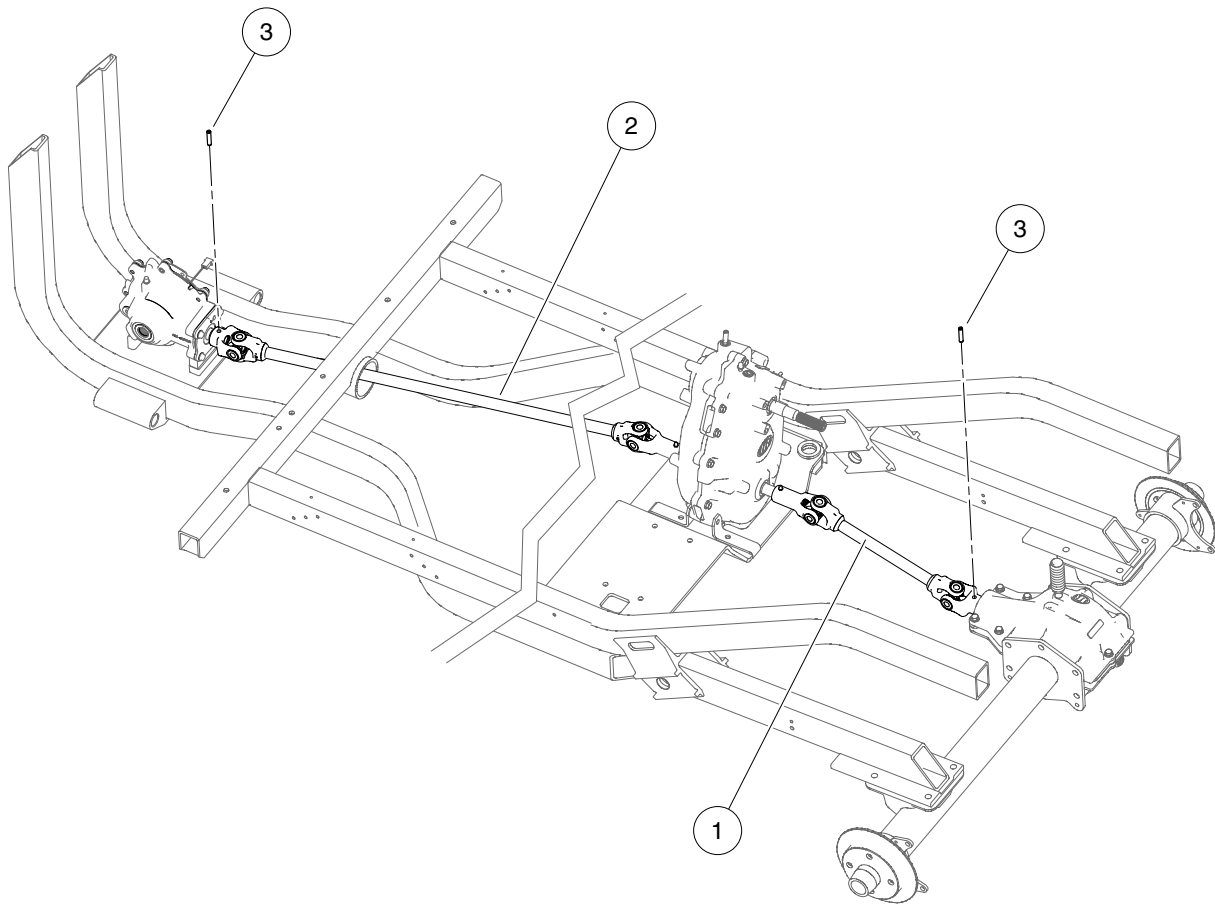
G

D

12

G

D



000091-002

# PROP SHAFTS

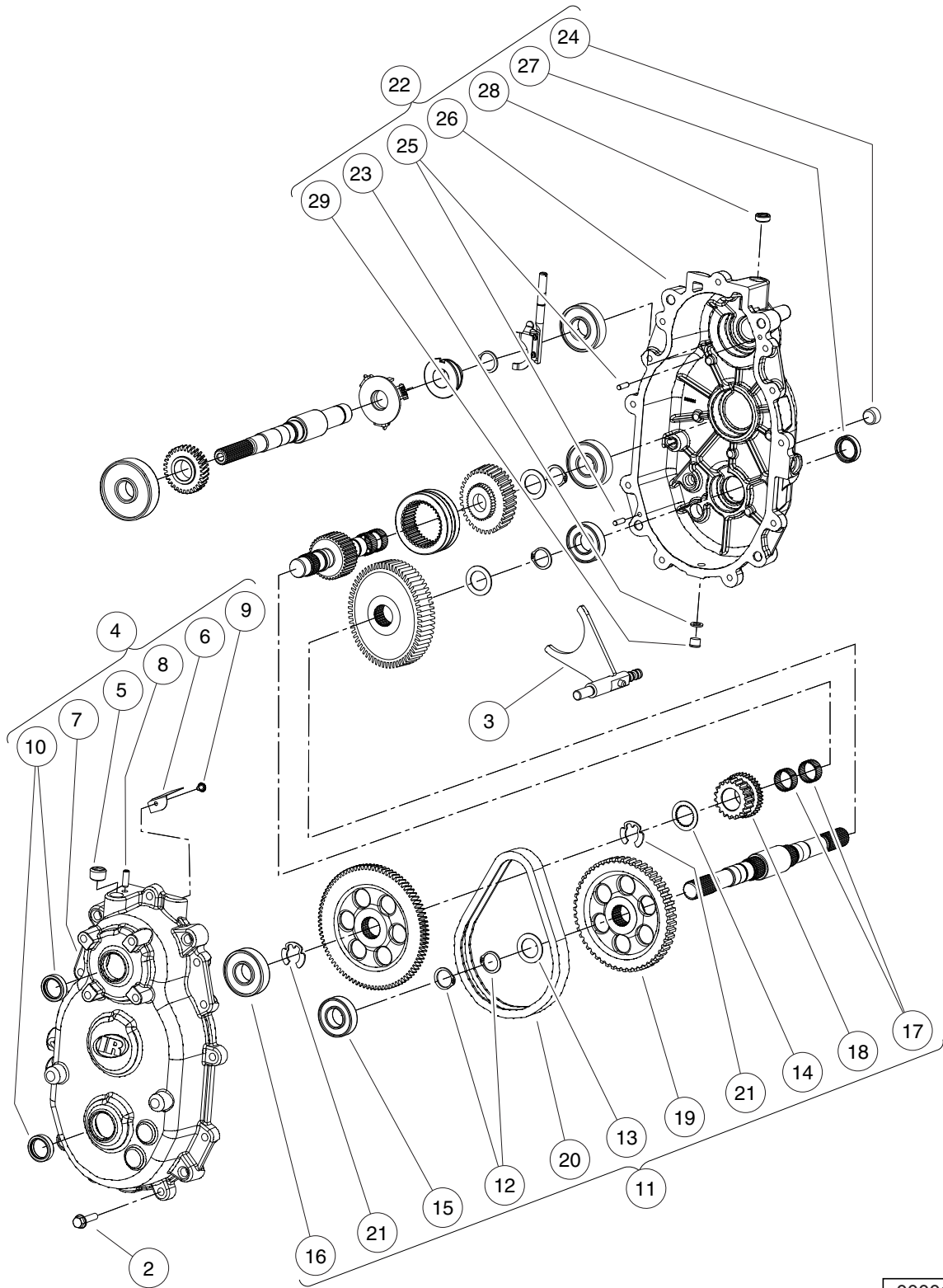
ITEM	PART NO.	DESCRIPTION	QTY
1	102372101	1 2 3 4 Prop Shaft, Rear .....	1
2	102767701	Prop Shaft, Front, Long .....	1
3	95293643	Pin, Spring, 5/16 X 1-1/2 Hd .....	2

**12**  
**G**  
**D**

12

G

D



000016-004



# TRANSMISSION – GASOLINE VEHICLES

ITEM	PART NO.	DESCRIPTION	QTY
		<b>1 2 3 4</b>	
1	103178401	Transmission, Parallel Shaft (includes items 2 through 22) .....	1
2	102693301	Screw,hex Flange, M8 X 35 .....	11
3	102697801	Fork, Transmission .....	1
4	102764201	Asm, Gear Case, Rear (includes items 5 through 10) .....	1
5	102694201	Plug, Square Skt, 1/12-14, Ptf .....	1
6	102696301	Oil, Deflector .....	1
7	102697401	Gearcase, Rear .....	1
8	102698301	Vent, Trans .....	1
9	102698901	Screw, Tapping # 10-24 X .375 .....	1
10	102699401	Seal, Triple, 25 X 35 X 7.8 .....	2
11	102765201	Kit, Reverse Gear Repair (includes items 12 through 21) .....	1
12	102696201	Ring, Retaining, Basic External .....	2
13	102696501	Washer, Thrust, 1.007 X .062 .....	1
14	102696701	Washer, 26.231 X 39.167 X 1.57 .....	1
15	102696801	Bearing, Ball .....	1
16	102696901	Bearing, Ball .....	1
17	102697101	Bearing, Needle .....	2
18	102697601	Sprocket, 19-Tooth .....	1
19	102697701	Sprocket, 51-Tooth .....	1
20	102699201	Chain, .375p, .75 Wide, 60ptch .....	1
21	102699701	Ring, Retaining, E-Ring .....	2
22	103250301	Asm, Case, Gear, Front (includes items 23 through 29) .....	1
23	102693501	Washer, .625 X .382 X .60 .....	1
24	102694201	Plug, Square Skt, 1/12-14, Ptf .....	1
25	102696101	Pin, Dowel, 6 X 20 .....	2
26	102697301	Gearcase, Front .....	1
27	102699401	Seal, Triple, 25 X 35 X 7.8 .....	1
28	102721501	Seal, Dual-Lip .....	1
29	103250401	Plug, 3/4-16 .....	1

**12**

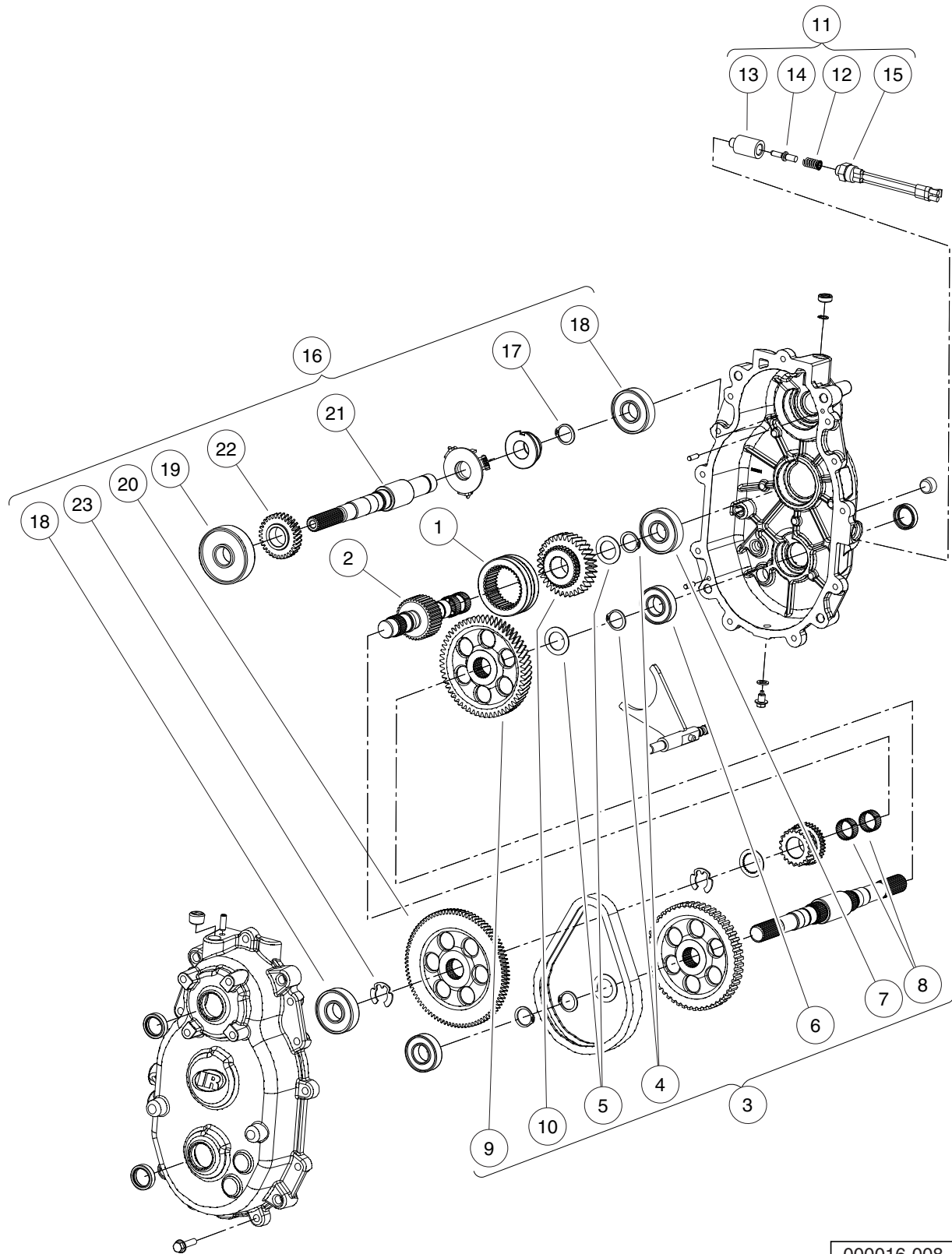
**G**

**D**

12

G

D



000016-008

## TRANSMISSION, CONTINUED

ITEM	PART NO.	DESCRIPTION	QTY
		1 2 3 4	
1	102697501	Dog, Engagement .....	1
2	102698701	Shaft, Intermediate .....	1
3	102764901	Kit, Forward Gear Repair (includes items 4 through 10) .....	1
4	102696201	Ring, Retaining, Basic External .....	2
5	102696501	Washer, Thrust, 1.007 X .062 .....	2
6	102696801	Bearing, Ball .....	1
7	102696901	Bearing, Ball .....	1
8	102697101	Bearing, Needle .....	2
9	102697901	Gear, Helical 58-Tooth .....	1
10	102698001	Gear, Helical 34-Tooth .....	1
11	102765101	Kit, Neutral Switch Repair (includes items 12 through 15) .....	1
12	102697201	Spring, .484 X .340 X 1.076 .....	1
13	N/A	Guide, Detent Bullet .....	1
14	102698601	Bullet, Detent .....	1
15	102699301	Switch, Indicator, Pollak .....	1
<p>Note: This page contains a list of components internal to the transmission. See the previous pages for other transmission components.</p>			

12

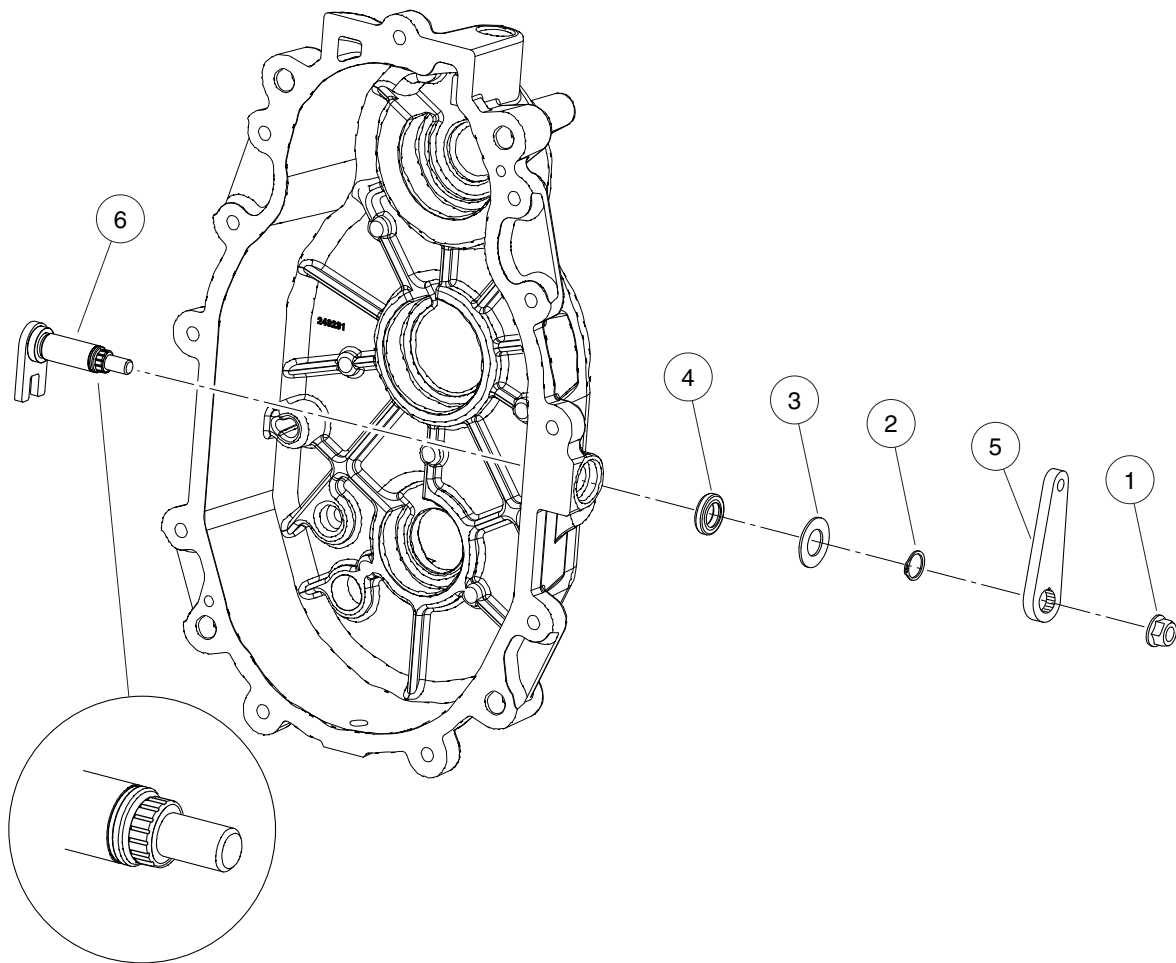
G

D

12

G

D



000016-010

# TRANSMISSION SHIFT SHAFT AND BELL CRANK

ITEM	PART NO.	DESCRIPTION	QTY
		1 2 3 4	
1	102696001	Nut, Lock Hex, Nylon, 5/16-24 .....	1
2	102696401	Ring, Retaining, External 9/16 .....	1
3	102696601	Washer, Flat, .58 X 1.08 X .05 .....	1
4	102699601	Seal, Dul Lip, .88 X .56 X .19 .....	1
5	103239501	Bellcrank, Alum .....	1
6	103239801	Shaft, Shift .....	1

**12**

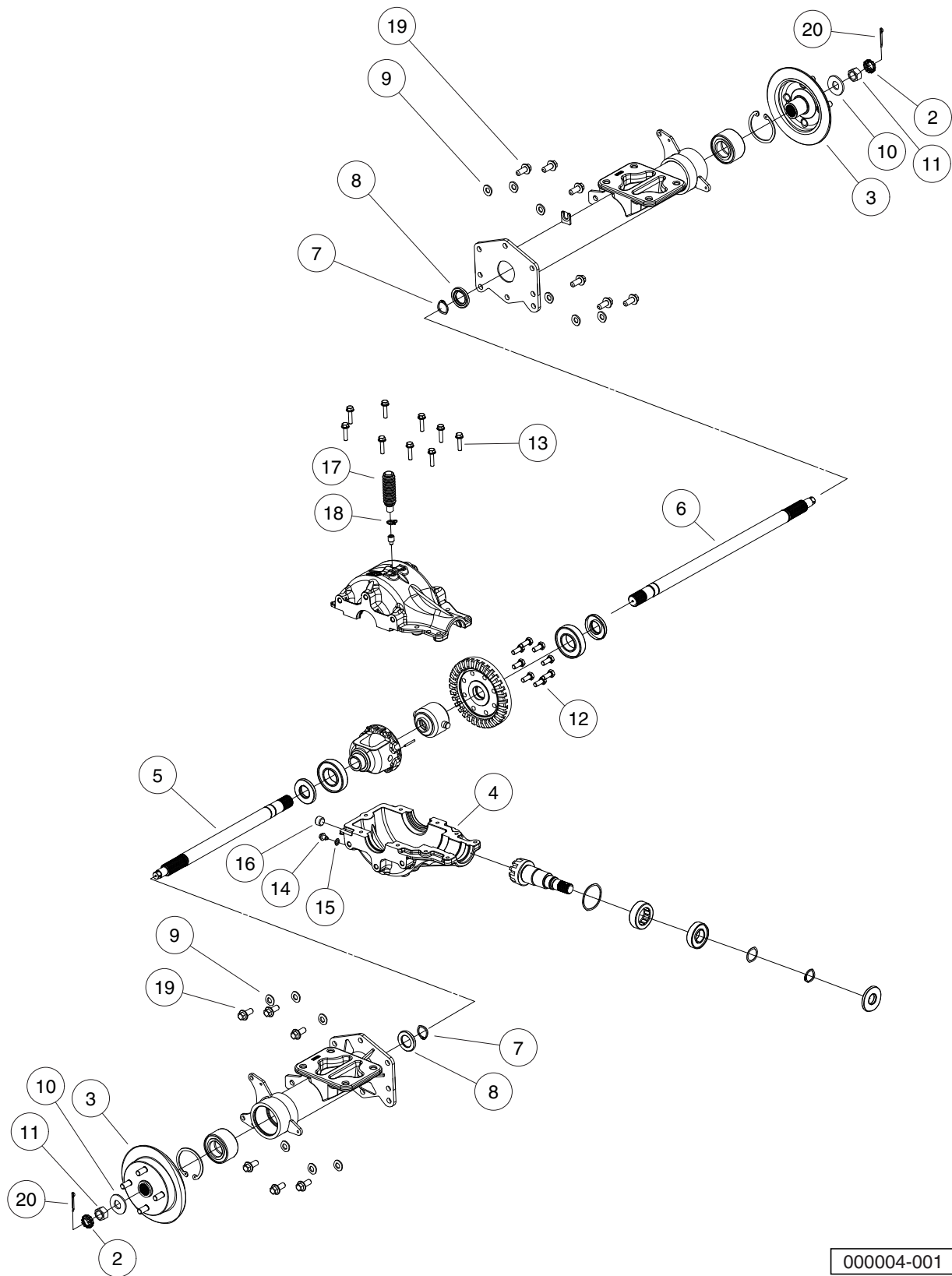
**G**

**D**

12

G

D



000004-001

# REAR DIFFERENTIAL

ITEM	PART NO.	DESCRIPTION	QTY
		<b>1 2 3 4</b>	
1	102831501	Axle, Rear, Guard Mounts (Complete Assembly) (includes items 2 through 20) .....	1
2	102276001	Locking Cap, Nut .....	2
3	102376602	Assy, Rotor, Brake, Rear .....	2
4	102449101	Gearcase, Lower, Machined .....	1
5	102463501	Axle, Right-hand .....	1
6	102463601	Axle, Left-Hand .....	1
7	102463801	Ring, Retaining, Internal .....	2
8	102672101	Washer, counterbored 51 X 30 .....	2
9	102672201	Washer, Belleville, 1.063 X .043 .....	12
10	102672301	Washer, Belleville, 49 X 4 .....	2
11	102672401	Nut, Hex, M20 X 1.5 , Modified .....	2
12	N/A	Screw, M10 X 25 .....	8
13	102693301	Screw, hex Flange, M8 X 35 .....	9
14	102693401	Plug, 3/8-16, Hex Flange .....	1
15	102693501	Washer, .625 X .382 X .60 .....	1
16	102694201	Plug, Square Skt, 1/12-14, Ptf .....	1
17	102694301	Bellows, Vent, Upper Housing .....	1
18	102694401	Clamp, Hose, Dw-9.5 .....	1
19	102694701	Screw, Hex Fl, M12 X 1.75 X 30 .....	12
20	102694801	Pin, Cotter, 5/32 X 1.25 .....	2

12

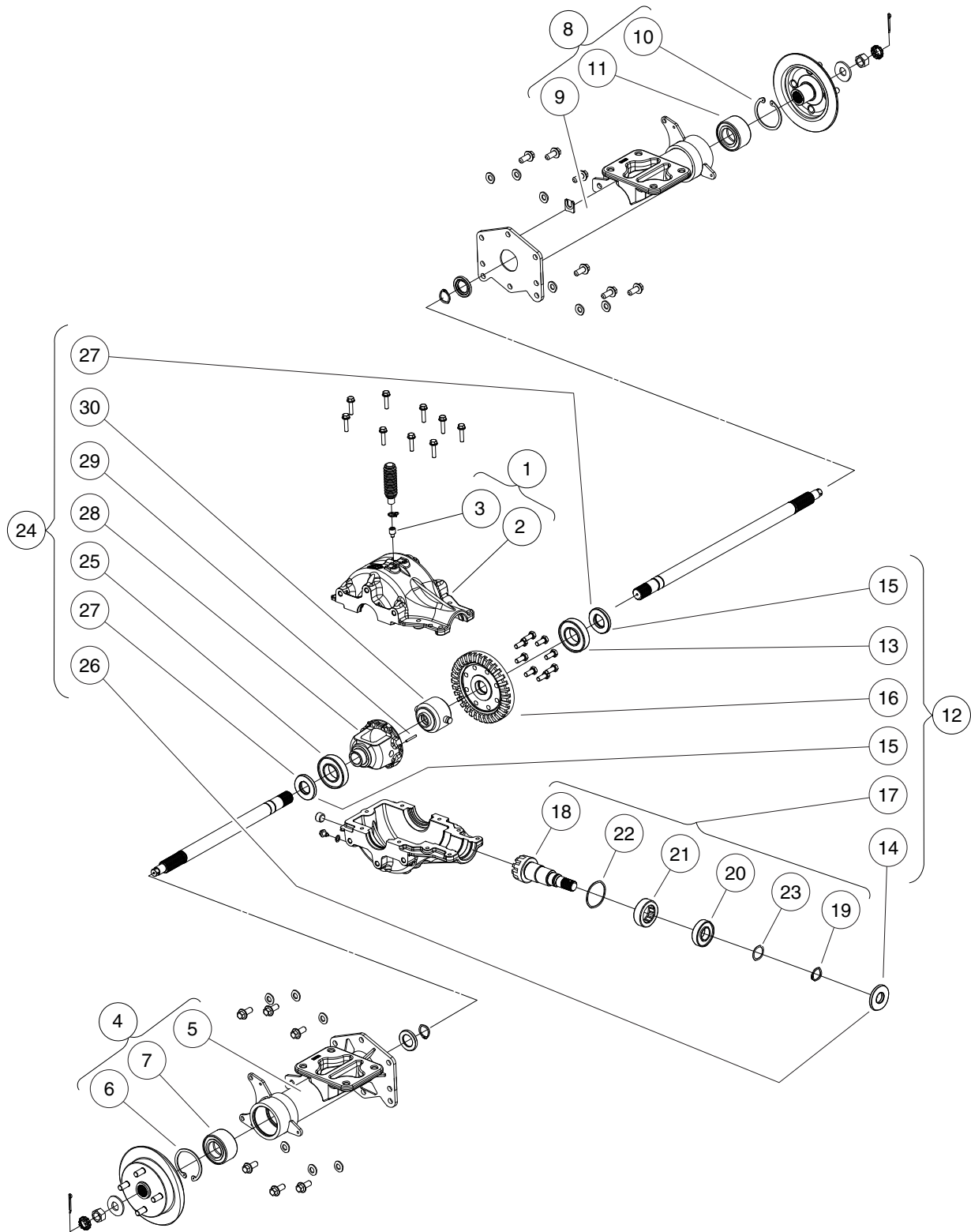
G

D

12

G

D



000004-002



## REAR DIFFERENTIAL, CONTINUED

ITEM	PART NO.	DESCRIPTION	QTY
		1 2 3 4	
1	102765301	Asm, Gearcase, Upper (includes items 2 and 3) .....	1
2	102449201	Gearcase, Upper, Machined .....	1
3	102694001	Vent, Top, Upper Housing .....	1
4	102765401	Asm, Axle Tube, RH (includes items 5 through 7) .....	1
5	102463401	Weldment, Axle Tube Rh .....	1
6	102463801	Ring, Retaining, Internal .....	1
7	102464301	Bearing .....	1
8	102765501	Asm, Axle Tube, LH (includes items 9 through 11) .....	1
9	102463301	Weldment, Axle Tube Lh .....	1
10	102463801	Ring, Retaining, Internal .....	1
11	102464301	Bearing .....	1
12	102765801	Kit, Rear Axle Gear Repair (includes items 13 through 17) .....	1
13	102464201	Bearing, Ball .....	1
14	102464401	Seal, Dual-Lip 25x 62x 7tc .....	1
15	102464501	Seal, Dual-Lip 30x 62x 8tc .....	2
16	102762601	Gear, Ring, 33-Tooth .....	1
17	102765701	Asm, Pinion W/ Bearings (includes items 18 through 23) .....	1
18	102463101	Pinion, 10t Machined .....	1
19	102463901	Ring, Retaining, External .....	1
20	102464001	Bearing, Ball .....	1
21	102464101	Bearing, Needle, Drawn Shell .....	1
22	102693601	Washer, 2.625 X 2.367 X .06 .....	1
23	102694502	Shim, 1.50 X 1.189 X .008 .....	1
24	102961501	Asm, Differential & Carrier (includes items 25 through 30) .....	1
25	102464201	Bearing, Ball .....	1
26	102464401	Seal, Dual-Lip 25x 62x 7tc .....	1
27	102464501	Seal, Dual-Lip 30x 62x 8tc .....	2
28	102961301	Housing, Differential, Mach .....	1
29	102961401	Pin, Dowel, 4 X 35 .....	1
30	102961601	Asm, Locker, Nongrease/Spacers .....	1

**12**

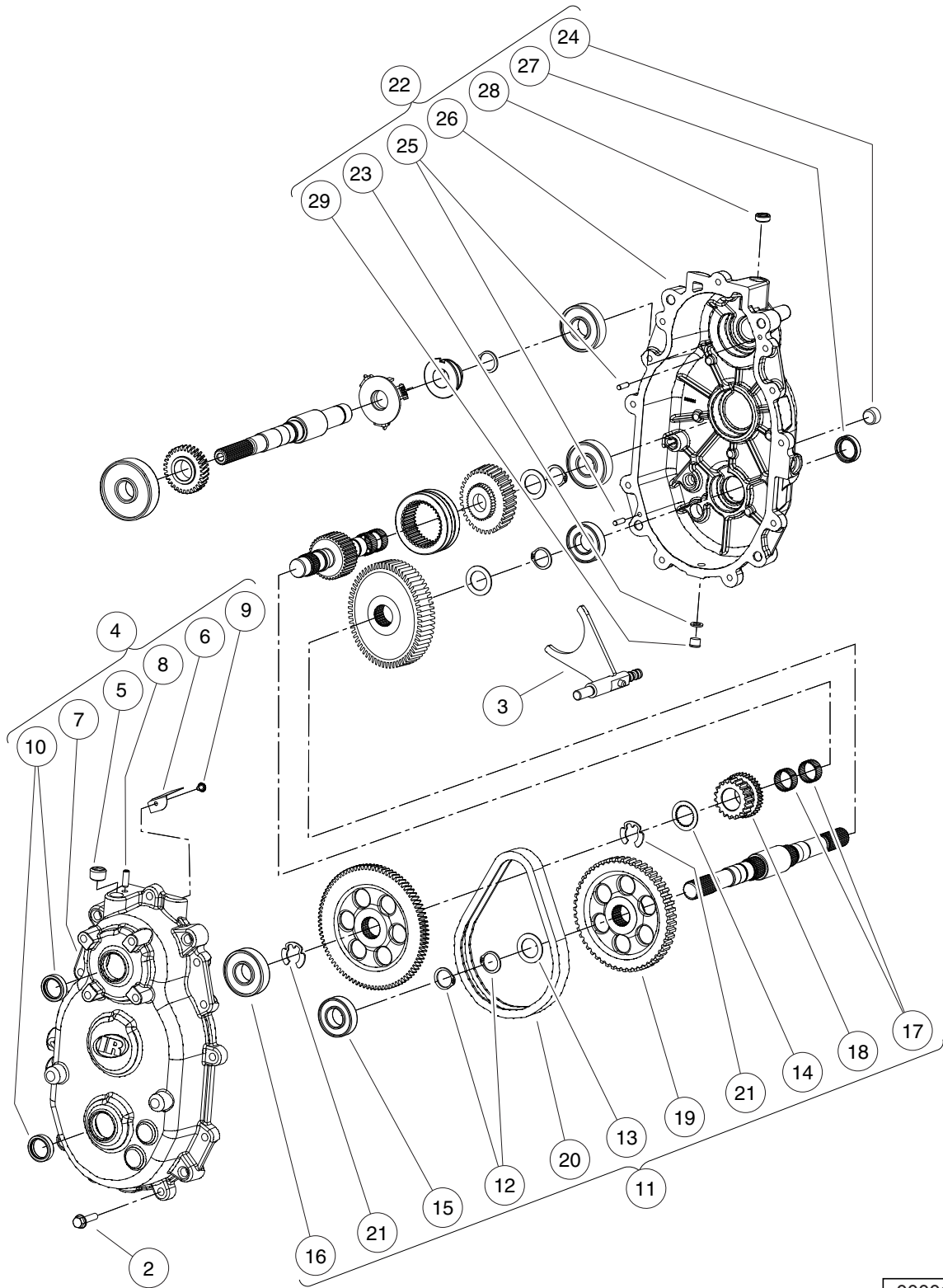
**G**

**D**

12

G

D



000016-006

## TRANSMISSION – DIESEL VEHICLES

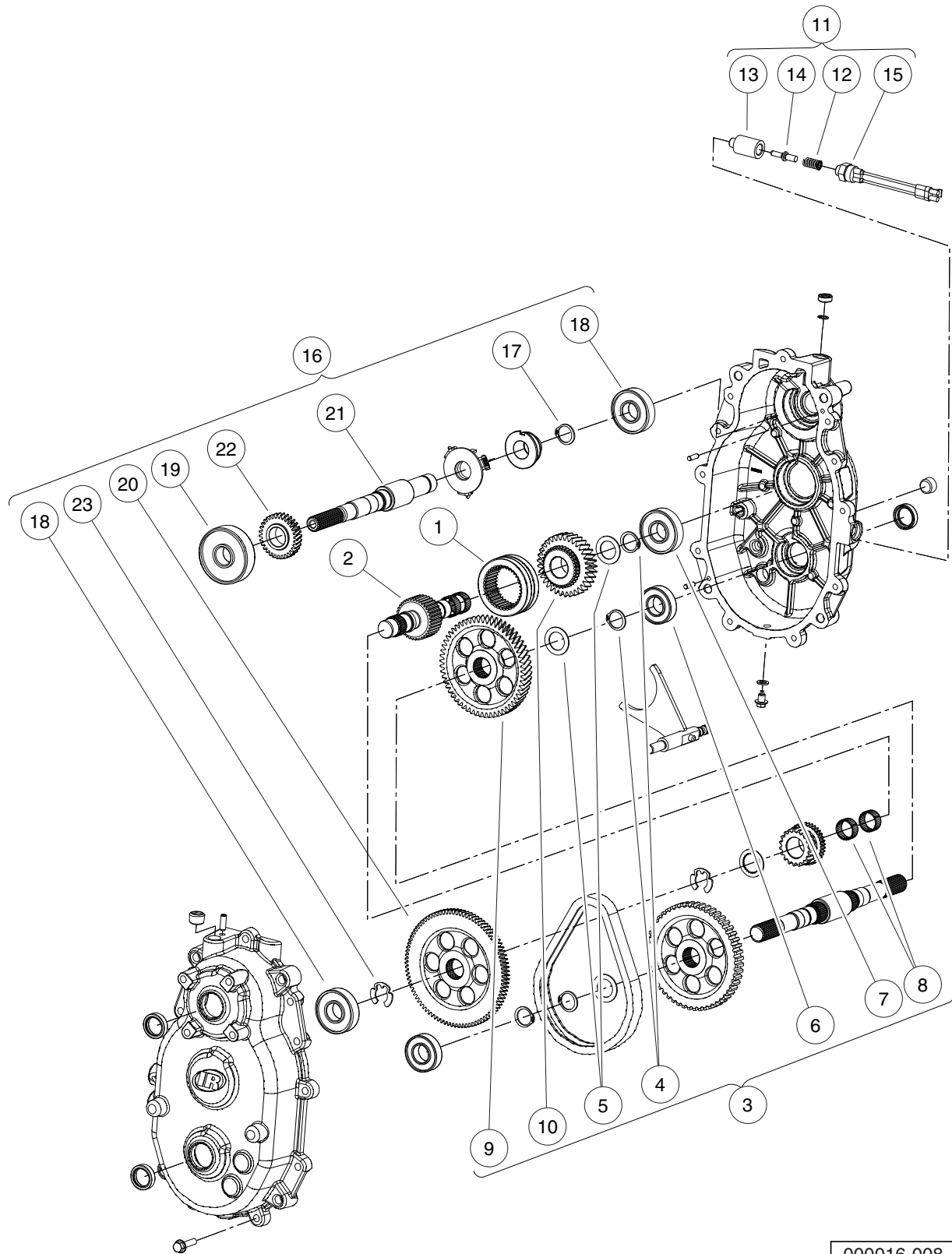
ITEM	PART NO.	DESCRIPTION	QTY
		<b>1 2 3 4</b>	
1	102943201	Transmission, Diesel, Parallel Shaft (includes items 2 through 22) .....	1
2	102693301	Screw,hex Flange, M8 X 35 .....	11
3	102697801	Fork, Transmission .....	1
4	102764201	Asm, Gear Case, Rear (includes items 5 through 10) .....	1
5	102694201	Plug, Square Skt, 1/12-14, Ptf .....	1
6	102696301	Oil, Deflector .....	1
7	102697401	Gearcase, Rear .....	1
8	102698301	Vent, Trans .....	1
9	102698901	Screw, Tapping # 10-24 X .375 .....	1
10	102699401	Seal, Triple, 25 X 35 X 7.8 .....	2
11	102765201	Kit, Reverse Gear Repair (includes items 12 through 21) .....	1
12	102696201	Ring, Retaining, Basic External .....	2
13	102696501	Washer, Thrust, 1.007 X .062 .....	1
14	102696701	Washer, 26.231 X 39.167 X 1.57 .....	1
15	102696801	Bearing, Ball .....	1
16	102696901	Bearing, Ball .....	1
17	102697101	Bearing, Needle .....	2
18	102697601	Sprocket, 19-Tooth .....	1
19	102697701	Sprocket, 51-Tooth .....	1
20	102699201	Chain, .375p, .75 Wide, 60ptch .....	1
21	102699701	Ring, Retaining, E-Ring .....	2
22	103250301	Asm, Case, Gear, Front (includes items 23 through 29) .....	1
23	102693501	Washer, .625 X .382 X .60 .....	1
24	102694201	Plug, Square Skt, 1/12-14, Ptf .....	1
25	102696101	Pin, Dowel, 6 X 20 .....	2
26	102697301	Gearcase, Front .....	1
27	102699401	Seal, Triple, 25 X 35 X 7.8 .....	1
28	102721501	Seal, Dual-Lip .....	1
29	103250401	Plug, 3/4-16 .....	1

**12**  
**G**  
**D**

12

G

D



000016-008

## TRANSMISSION – DIESEL VEHICLES, CONTINUED

ITEM	PART NO.	DESCRIPTION	QTY
		1 2 3 4	
1	102697501	Dog, Engagement .....	1
2	102698701	Shaft, Intermediate .....	1
3	102764901	Kit, Forward Gear Repair (includes items 4 through 10) .....	1
4	102696201	Ring, Retaining, Basic External .....	2
5	102696501	Washer, Thrust, 1.007 X .062 .....	2
6	102696801	Bearing, Ball .....	1
7	102696901	Bearing, Ball .....	1
8	102697101	Bearing, Needle .....	2
9	102697901	Gear, Helical 58-Tooth .....	1
10	102698001	Gear, Helical 34-Tooth .....	1
11	102765101	Kit, Neutral Switch Repair (includes items 12 through 15) .....	1
12	102697201	Spring, .484 X .340 X 1.076 .....	1
13	N/A	Guide, Detent Bullet .....	1
14	102698601	Bullet, Detent .....	1
15	102699301	Switch, Indicator, Pollak .....	1
16	103721801	Kit, Input Shaft Repair (includes items 17 through 23) .....	1
17	102696201	Ring, Retaining, Basic External .....	1
18	102696901	Bearing, Ball .....	1
19	102697001	Bearing, Ball .....	2
20	102698101	Gear, Helical 90-Tooth .....	1
21	102698401	Shaft, Input .....	1
22	102699001	Gear, Helical, 31-tooth .....	1
23	102699701	Ring, Retaining, E-Ring .....	1

**12**

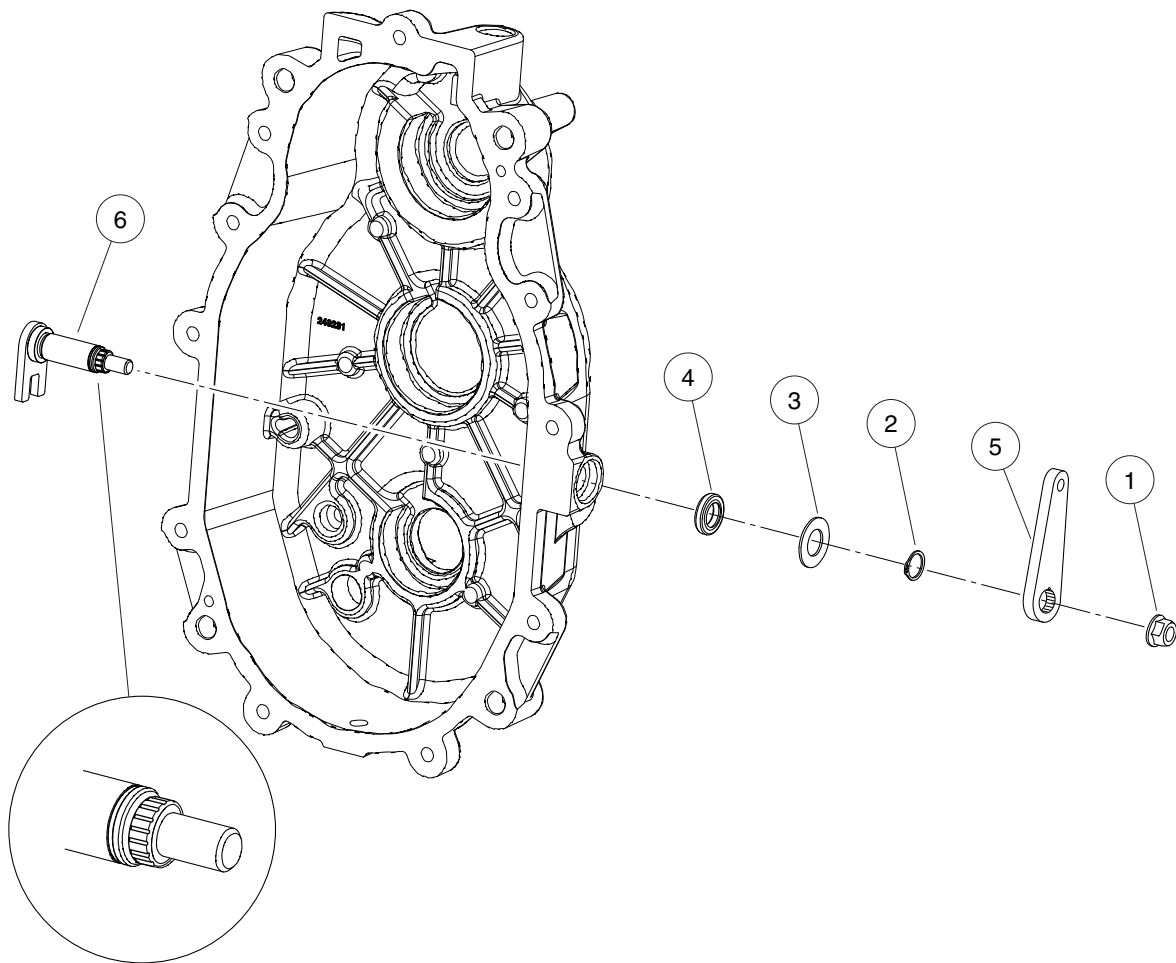
**G**

**D**

12

G

D



000016-010

# TRANSMISSION – DIESEL VEHICLES, SHIFT SHAFT AND BELL CRANK

ITEM	PART NO.	DESCRIPTION	QTY
		<b>1 2 3 4</b>	
1	102696001	Nut, Lock Hex, Nylon, 5/16-24 .....	1
2	102696401	Ring, Retaining, External 9/16 .....	1
3	102696601	Washer, Flat, .58 X 1.08 X .05 .....	1
4	102699601	Seal, Dul Lip, .88 X .56 X .19 .....	1
5	103239501	Bellcrank, Alum .....	1
6	103239801	Shaft, Shift .....	1

**12**  
**G**  
**D**

12

G

D



# RADIATOR AND COOLANT SYSTEM (DIESEL VEHICLES)

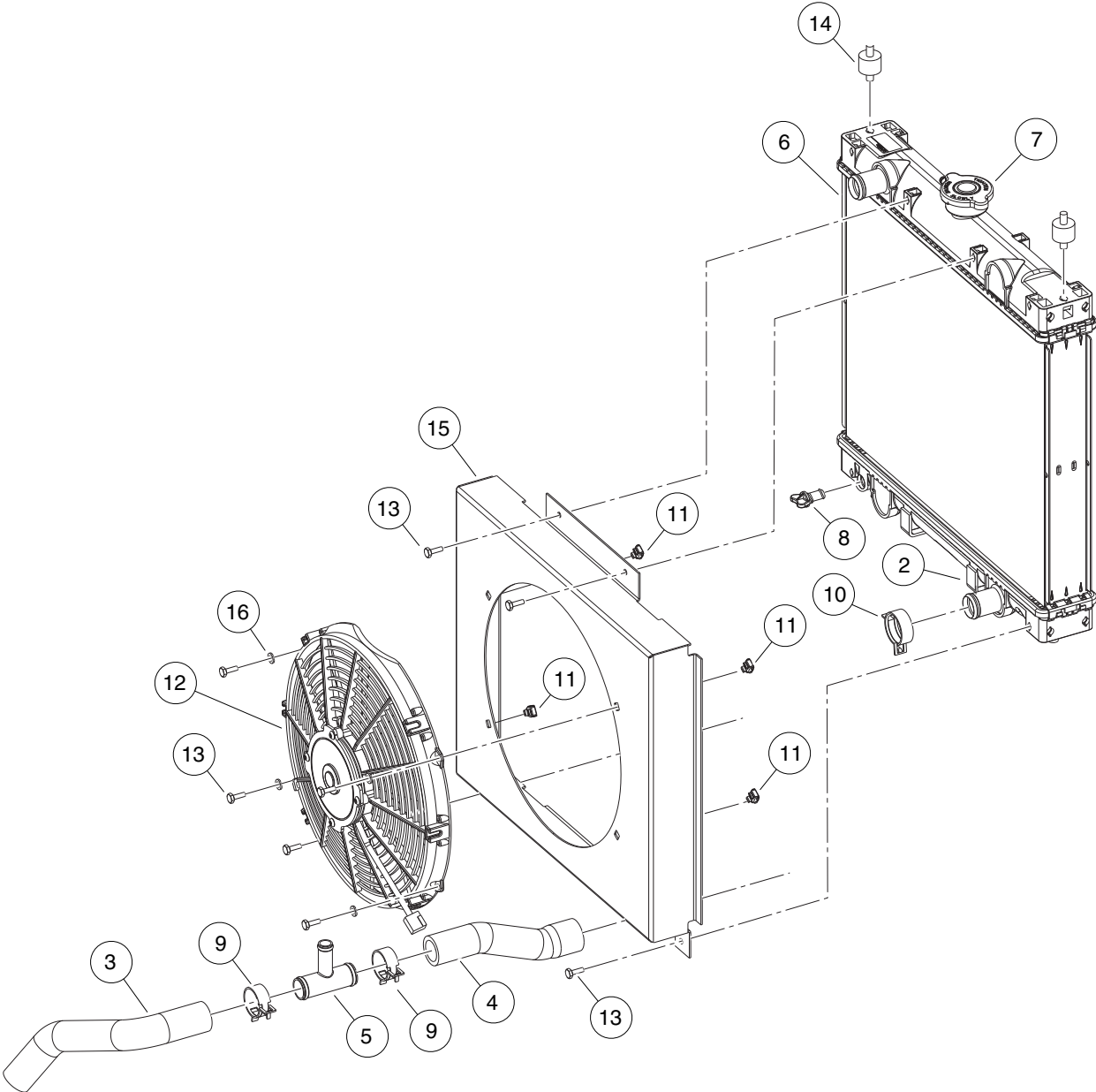
---

13

*D*

13

D



000541-001

# RADIATOR

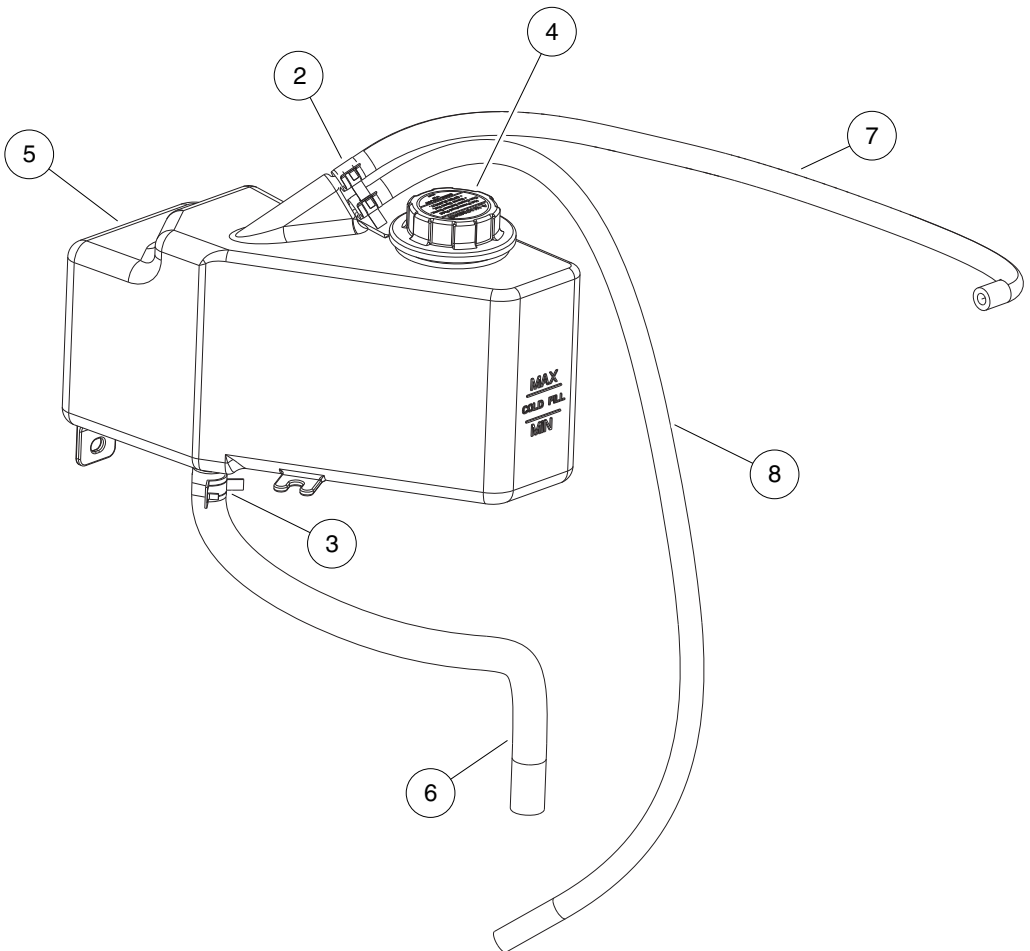
**13**

**D**

ITEM	PART NO.	DESCRIPTION	QTY
		<b>1 2 3 4</b>	
1	N/A	Asm, Radiator (includes items 2 through 16) .....	1
2	1014471	Tape, Vinyl Foam 1/8" x 3/4" * .....	1
3	102377801	Hose, Coolant Lower Pipe .....	1
4	102377901	Hose, Coolant Lower Rad .....	1
5	102380301	Tee, Coolant Fill .....	1
6	102410301	Exchanger, Engine Coolant (includes items 7 and 8) .....	1
7	102737301	Cap, Radiator .....	1
8	102737401	Drain Cock, Radiator .....	1
9	102411207	Clamp, Hose, Ctb 35mm .....	2
10	102411208	Clamp, Hose, Ctb 38mm .....	1
11	102411301	Nut, Self Retaining .....	4
12	102436701	Fan, Cooling 12 In Elect .....	1
13	102490301	Bolt, M6 X 1 X 16 Loctite .....	8
14	102685001	Isolator, Twin-Stud .....	2
15	102855501	Shroud, Radiator Fan .....	1
16	96705199	Washer, M6 .....	4
		 * Note: Item not shown.	

13

D



000540-001

# COOLANT EXPANSION TANK

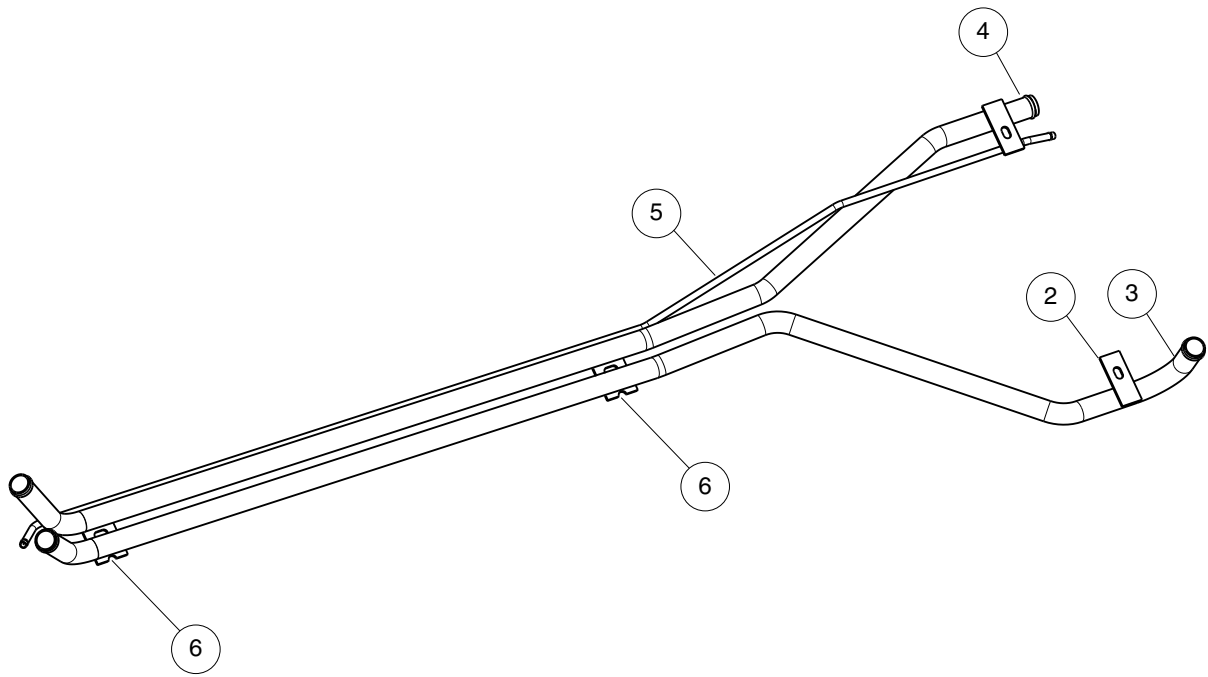
ITEM	PART NO.	DESCRIPTION	QTY
		1 2 3 4	
1	N/A	Asm, Coolant Bottle (includes items 2 through 8) .....	1
2	102411204	Clamp, Hose, CTB 15mm .....	2
3	N/A	Clamp, Hose, Ctb 25mm .....	1
4	102427501	Cap, Radiator .....	1
5	102973201	Bottle, Coolant .....	1
6	N/A	Hose, Cut, 5/8, 445 .....	1
7	N/A	Hose, Cut, Coolant, 700 .....	1
8	N/A	Hose, Cut, Coolant, 1100 .....	1

13

D

13

D



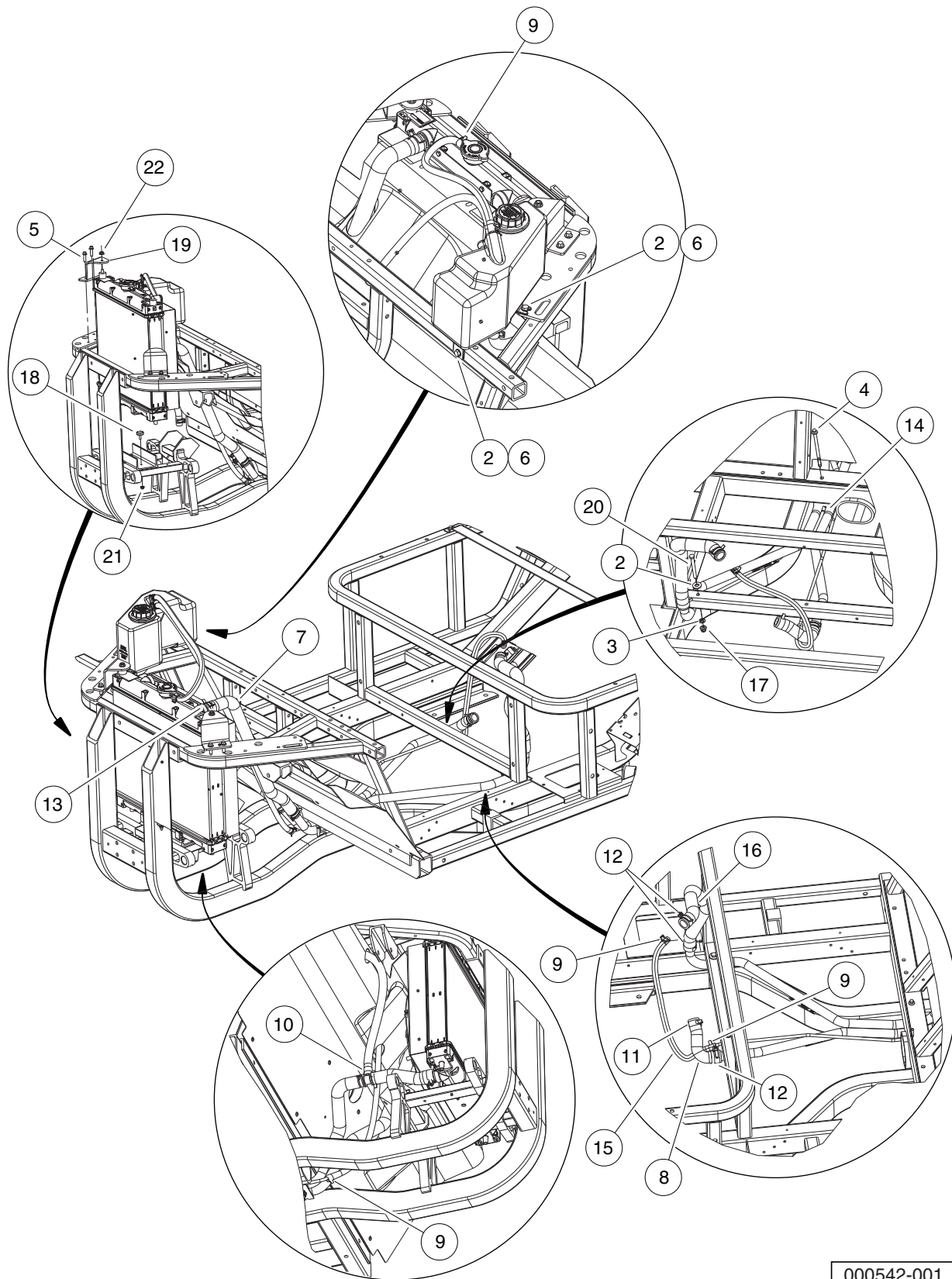
000539-002

## COOLANT PIPES AND HOSES

ITEM	PART NO.	DESCRIPTION	QTY
		<b>1 2 3 4</b>	
1	102767601	Weldment, Coolant Pipe, Long (includes items 2 through 6) .....	1
2	N/A	Tab, Rear Mntg, Coolant Pipe .....	2
3	102767901	Pipe, Coolant Upper, Stretch .....	1
4	102768001	Pipe, Coolant Lower, Stretch .....	1
5	N/A	Pipe, Vent, Coolant, Stretch .....	1
6	N/A	Tab, Cooling Pipe Mount .....	2

13

D



000542-001



# COOLING SYSTEM CLAMPS, HOSES, AND HARDWARE

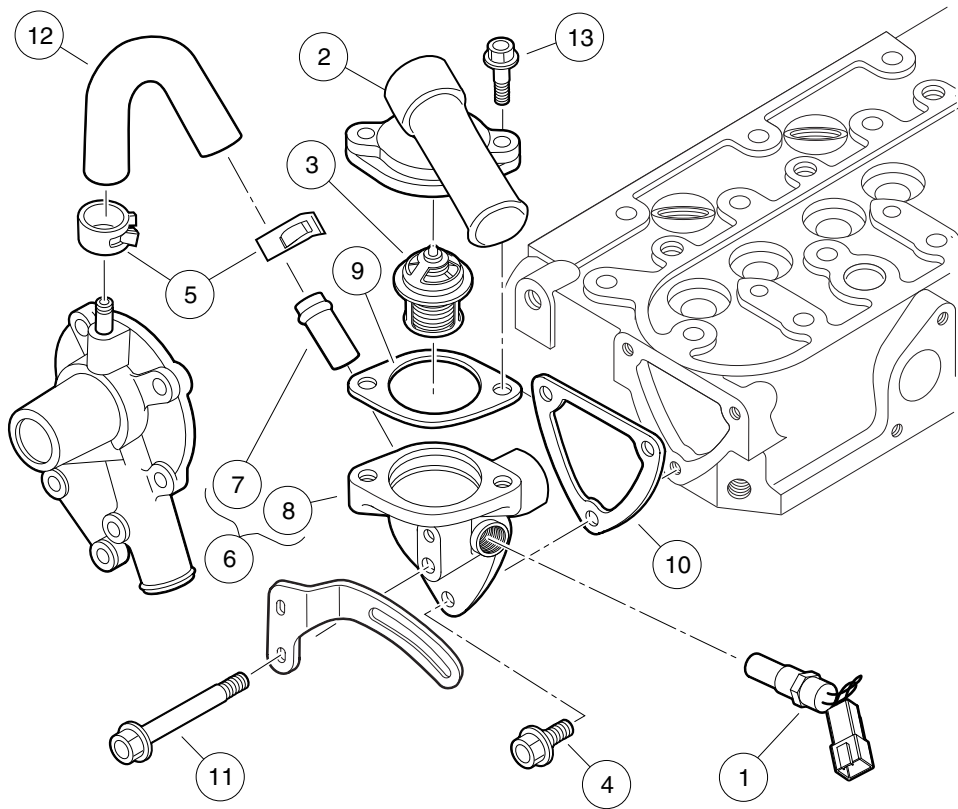
ITEM	PART NO.	DESCRIPTION	QTY
		1 2 3 4	
1	N/A	Instl, System, Cooling, Diesel (includes items 2 through 22) .....	1
2	1011578	Washer, 5/16 Type B Flat .....	3
3	1015457	Spacer, 0.720" .....	1
4	102288901	Bolt - Hex, M8x1.25 X 135 .....	1
5	102289001	Screw, M8X1.25X30, Hex .....	4
6	102298720	M8-1.25x20 Taptite .....	2
7	102377501	Hose, Coolant Upper Rad .....	1
8	102377601	Hose, Coolant Lower Eng .....	1
9	102411204	Clamp, Hose, CTB 15mm .....	4
10	102411205	Clamp, Hose, CTB 22mm .....	1
11	102411206	Clamp, Hose, Ctb 30mm .....	1
12	102411207	Clamp, Hose, Ctb 35mm .....	5
13	102411208	Clamp, Hose, Ctb 38mm .....	1
14	102427601	Clamp, Bar .....	1
15	102435001	Hose, Vent Tube To Eng, Coolnt .....	1
16	102480501	Hose, Coolant, Return, Engine .....	1
17	102618601	Lock Nut, Flg M8 X 1.25 Nylon .....	3
18	102684901	Bumper, 19mm Stud .....	2
19	102946701	Bracket, Radiator Support .....	2
20	103423701	Bolt, M8 X 1.25 X 110 .....	1
21	96704176	Nut Flg, M6 X 1 Serrated .....	2
22	96704416	Nut Flg, M8 X 1.25 Serrated .....	2

13

D

13

D



000059-001

# WATER FLANGE AND THERMOSTAT

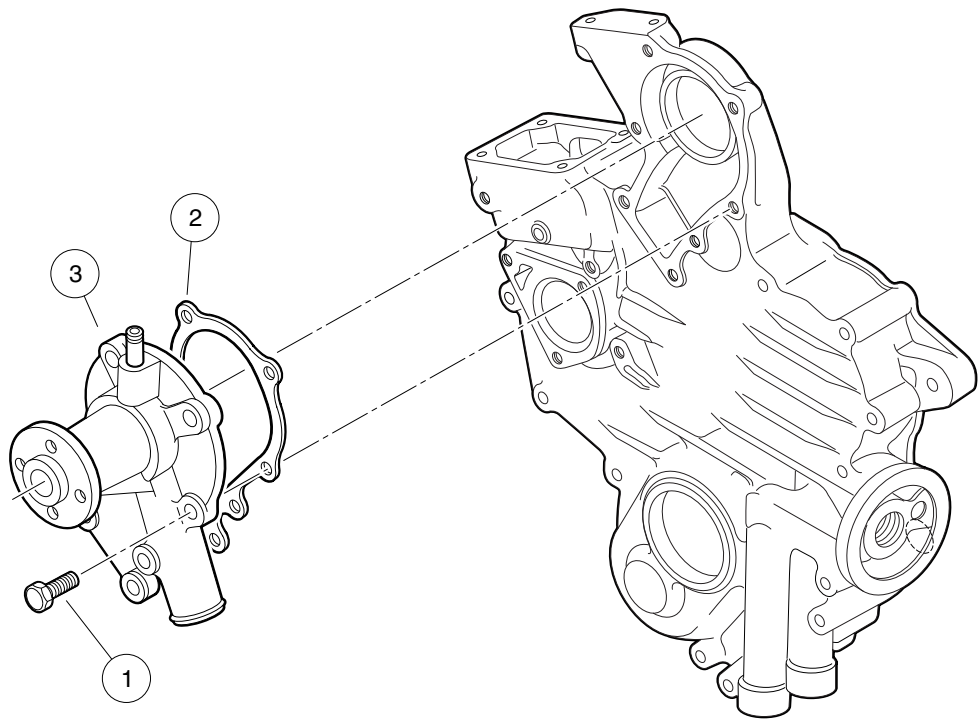
ITEM	PART NO.	DESCRIPTION	QTY
		1 2 3 4	
1	102410001	Sensor, Coolant Temp .....	1
2	102631301	Cover, Thermostat .....	1
3	102631401	Assy, Thermostat .....	1
4	102631601	Bolt, M6 X 1 X 20 .....	2
5	102633001	Band, Pipe .....	2
6	102633201	Flange, Water (includes items 7 and 8) .....	1
7	102633301	Pipe, Water Return, D722 .....	1
8	N/A	Flange, Water .....	1
9	102633401	Gasket, Thermostat .....	1
10	102654701	Gasket, Water Flange .....	1
11	102730901	Bolt, Alt, D722, Stay Lower .....	1
12	102731001	Pipe, Water Return, D722 .....	1
13	102731101	Bolt, D722, Thermostat Cover .....	2

13

D

13

D



000060-001

# WATER PUMP

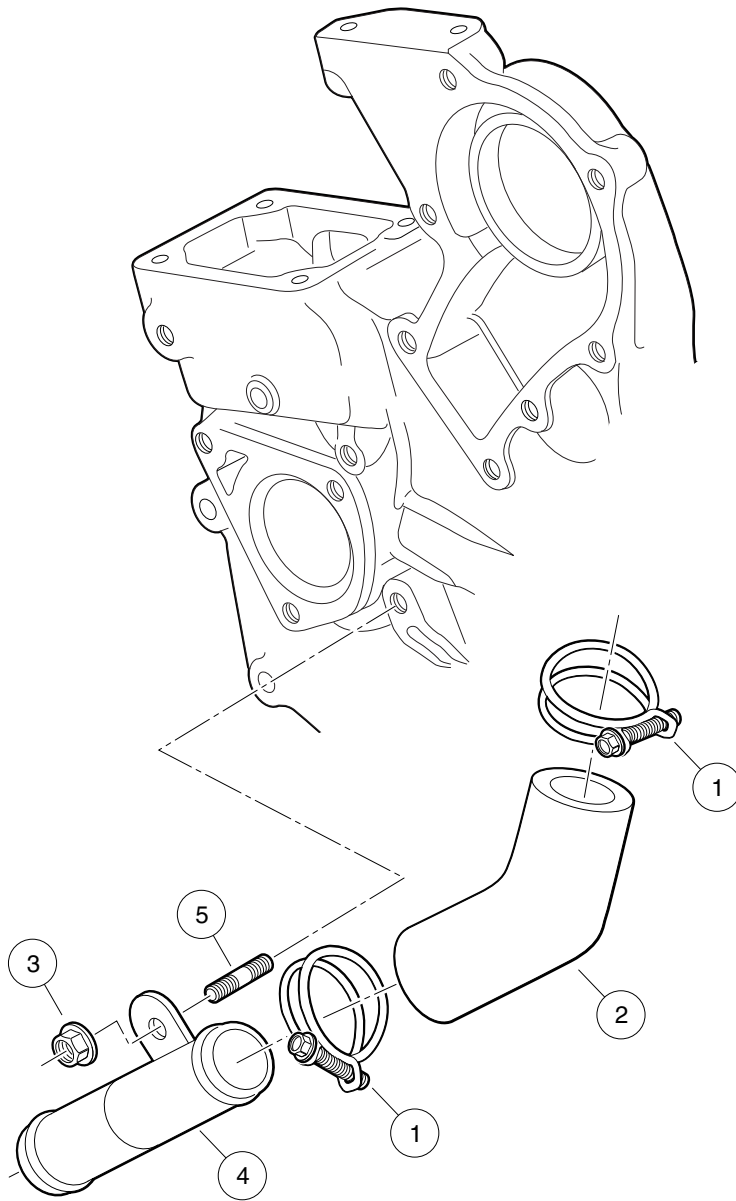
13

ITEM	PART NO.	DESCRIPTION	QTY
		1 2 3 4	
1	102608701	Bolt, M6 X 1 X 22 .....	4
2	102632701	Gasket, Water Pump, D722 .....	1
3	102731201	Water Pump Assembly .....	1

D

13

D



000061-001

# BLOCK COOLANT PIPE

ITEM	PART NO.	DESCRIPTION	QTY
		<b>1 2 3 4</b>	
1	102631701	Band, Pipe, with Nut .....	2
2	102631801	Pipe, Water, Bent .....	1
3	102632001	Nut, Flange, M6 .....	1
4	102632101	Pipe, Water, Bent .....	1
5	102632201	Stud, M6 X 15 .....	1

**13**

**D**

13

*D*



# MAINTENANCE AND SERVICE TOOLS

---

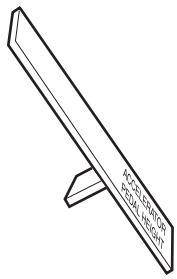
14

G

E

D

**14**  
**G**  
**E**  
**D**



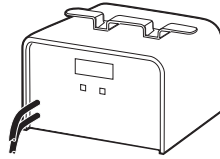
1



2



3



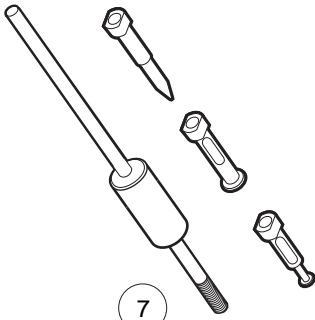
4



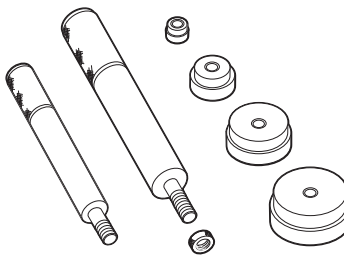
5



6



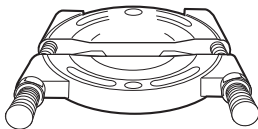
7



8



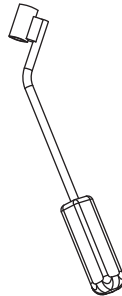
9



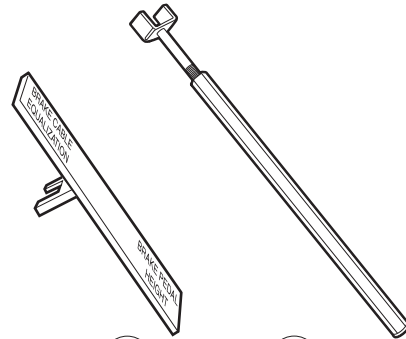
10



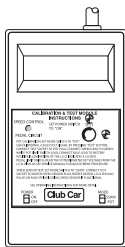
11



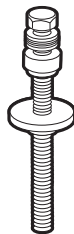
12



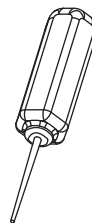
14 15  
13



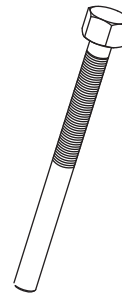
16



17



18



19

# MAINTENANCE AND SERVICE TOOLS

ITEM	PART NO.	DESCRIPTION	QTY DIESEL	QTY GAS	QTY ELEC
		<p><b>1 2 3 4</b></p> <p>The following tool list includes all tools available from Club Car for maintenance and service procedures for gasoline, electric, and/or diesel vehicles, both past and present models. Be sure to carefully examine the tool list for applicability to your vehicle before ordering.</p>			
1	101871001	Accelerator Pedal Adjustment Tool .....		1	1
2	101813202	Adhesive, Guide Ring, 3-Gram Tube .....			1
3	101641202	Arbor .....		1	
4	101831901	Battery Discharge Machine, 36/48 Volt .....			1
5	1014305	Battery Terminal Protector Spray .....	1	1	1
6	1011767	Battery Thermometer .....	1	1	1
7	1016417	Bearing and Oil Seal Remover Assembly .....	1	1	1
8	1016416	Bearing Driver Set .....	1	1	1
9	1012811	Bearing Puller .....	1	1	1
10	1012812	Bearing Puller Wedge Attachment .....	1	1	1
11	1013582	Brake Adjustment Tool (used only on vehicles with manually adjusted mechanical brakes) .....		1	1
12	102555501	Brake Cable Release Tool .....	1	1	1
13	102249901	Brake Pedal Adjustment Tool Kit (used for the Carryall Electric Industrial Truck only) (includes items 14 and 15).....			1
14	****	Brake Pedal Adjustment Tool .....			1
15	****	Brake Pedal Tension Tool .....			1
16	101887101	Calibration Test Module .....			1
17	101808401	Cam Installation Tool .....		1	
18	102562401	Charger Bezel Tool .....			1
19	102686101	Clutch Removal Tool (for 4x4 vehicles) .....	1	1	
		<p>Please refer to the maintenance and service manual for proper tool application.</p> <p>**** Special order item available upon request</p>			

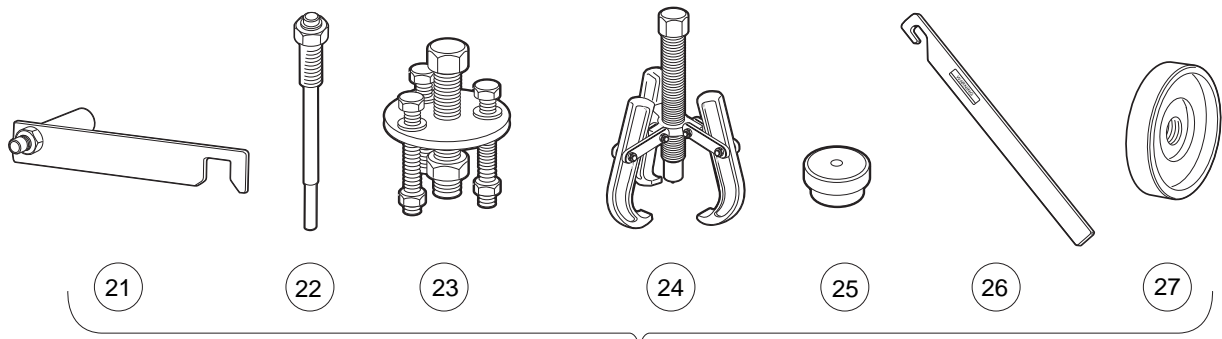
14

G

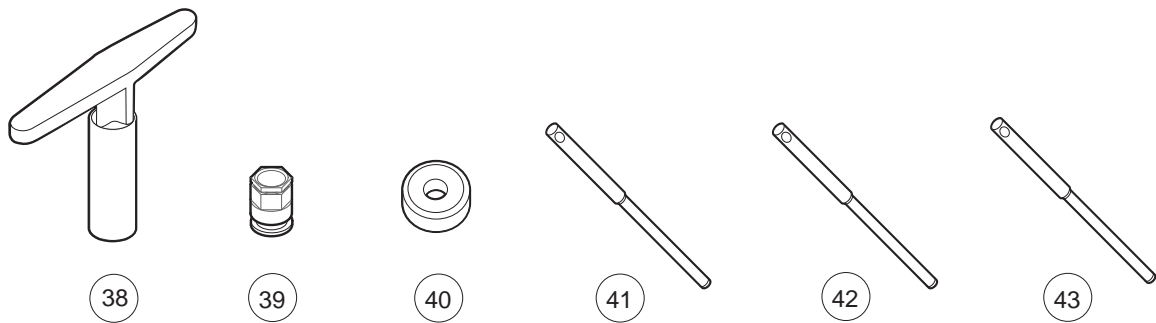
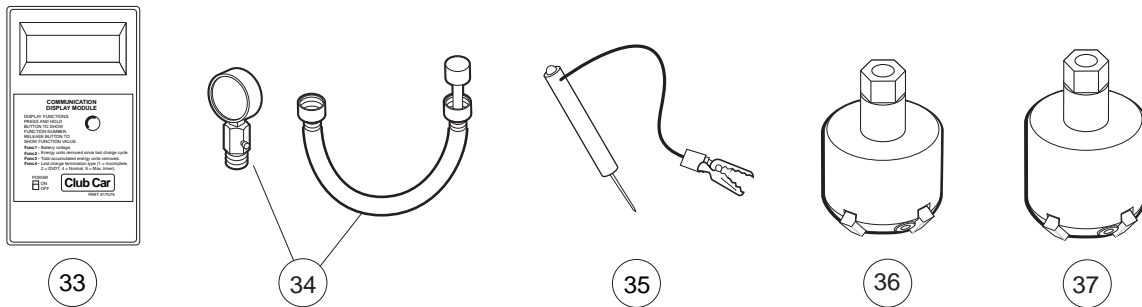
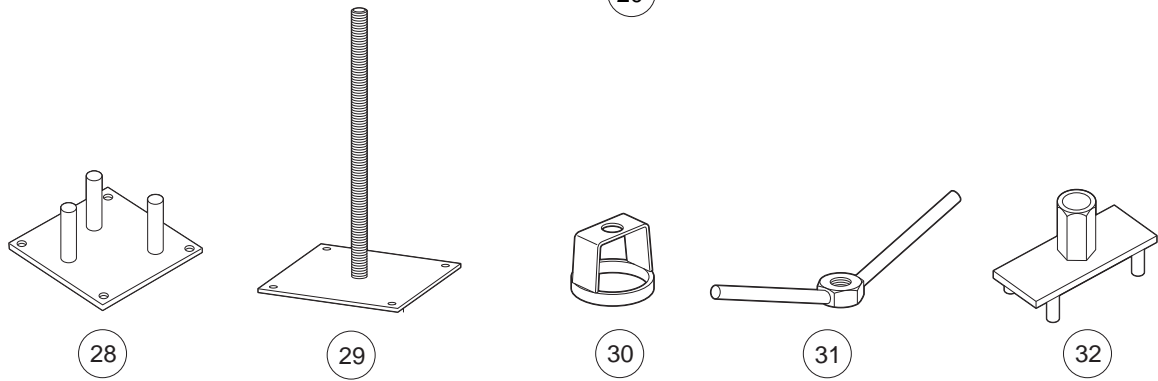
E

D

**14**  
**G**  
**E**  
**D**



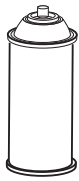
20



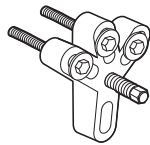
## MAINTENANCE AND SERVICE TOOLS, CONTINUED

ITEM	PART NO.	DESCRIPTION	QTY DIESEL	QTY GAS	QTY ELEC	<b>14</b>
		<b>1 2 3 4</b>				<b>G</b>
20	1014510	Clutch Tool Kit (includes items 21 - 27) .....		1		<b>E</b>
21	1014498	Clutch Alignment Tool (for pre-unitized transaxle vehicles built prior to 1997 model year) .....		1		<b>D</b>
22	1014496	Drive Clutch Puller (for Kawasaki engines only) .....		1		
23	1014497	Drive Clutch Hub Puller (for Kawasaki engines only) .....		1		
24	1014508	Driven Clutch Cam Puller (for Kawasaki engines only) .....		1		
25	1014507	Driven Clutch Puller Plug (for Kawasaki engines only) .....		1		
26	1015524	Drive Clutch Holder Tool Assembly (for Kawasaki engines only) .....		1		
27	101809101	Press Weldment (for Kawasaki engines only) .....		1		
28	102601501	Drive ClutchFixed Sheave Tool (for 4x4 vehicles) .....	1	1		
29	102603501	Driven Clutch Spring Compression Base (for use with items 30 and 31) (for 4x4 vehicles) .....	1	1		
30	102605201	Driven Clutch Spring Compression Collar (for use with items 29 and 31) (for 4x4 vehicles) .....	1	1		
31	102606101	Driven Clutch Spring Compression Nut (for use with items 29 and 30) (for 4x4 vehicles) .....	1	1		
32	102607501	Drive Clutch Spider Removal Tool (for 4x4 vehicles) .....	1	1		
33	101831801	Communication Display Module .....			1	
34	101641002	Compression Gauge and Adapter .....		1		
35	1011273	Continuity Tester .....		1	1	
36	102773801	Cutter, Valve Seat, #122 .....		1		
37	102773901	Cutter, Valve Seat #115 .....		1		
38	102774101	Wrench, T, #505.....		1		
39	102774101	Adapter, T-Wrench.....		1		
40	102675401	Cutter, Valve Seat, 60 Degree (requires item 51) (for Honda GX620 Gasoline Engines) .....		1		
41	102774201	Pilot, 6.6 MM .....		1		
42	102774301	Pilot, 6.62 MM.....		1		
43	102774401	Pilot, 6.65 MM.....		1		
		Please refer to the maintenance and service manual for proper tool application.				

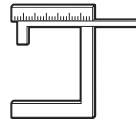
**14**  
**G**  
**E**  
**D**



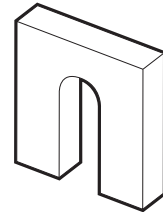
44



45



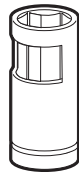
46



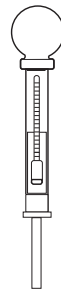
47



48



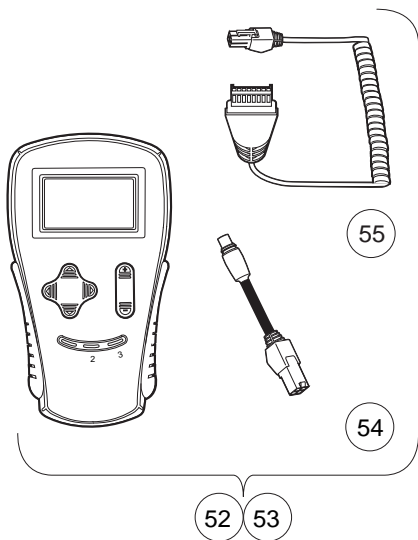
49



50



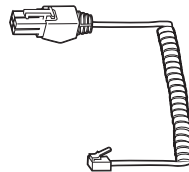
51



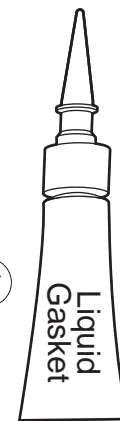
52 53

55

54



56



57



58



59 60



61

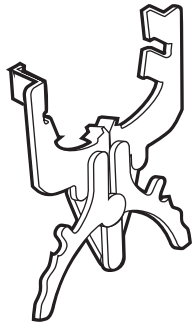
## MAINTENANCE AND SERVICE TOOLS, CONTINUED

ITEM	PART NO.	DESCRIPTION	QTY DIESEL	QTY GAS	QTY ELEC	<b>14</b>
		1 2 3 4				<b>G</b>
44	1012151	Dry Moly Lubricant .....	1	1	1	<b>E</b>
45	1016627	Flywheel Puller Kit (for Kawasaki Engines) .....		1		<b>D</b>
46	102669901	Gauge, Carburetor Float Level (for Honda GX620 Gasoline Engines) .....		1		
47	1016418	Gear Yoke .....	1	1	1	
48	101933101	Governor Shaft Installation Tool (for Kawasaki Engine Vehicles) .....		1		
49	102169401	Hydraulic Brake Adjuster (for Turf/CA 272/472, Pioneer/XRT 1200, Bobcat 2100, HUV 4213) .....			1	
50	1011478	Hydrometer .....	1	1	1	
51	1013593	Internal Retaining Ring Pliers .....	1	1	1	
52	102248803	IQ Display Module (IQDM) Kit (IQ System and IQ Plus vehicles) .....			1	
		(includes items 54 and 55)				
53	102248804	IQ Display Module (IQDM-P) Kit (IQ System and IQ Plus vehicles) .....			1	
		(includes items 54 and 55)				
54	102251501	Adaptor, Cable .....			1	
55	102241502	IQDM Series 2 Cable .....			1	
56	102241501	IQDM Series 1 Cable (replacement) .....			1	
57	101928701	Liquid Gasket (transaxle case) .....	1	1	1	
58	102243402	Moly-Teflon Lubricant (4-oz. (113-gram) tube) .....			1	
59	101997201	Paint, Touch-Up – Beige* .....		1	1	
59	101997207	Paint, Touch-Up – Black* .....		1	1	
59	101997212	Paint, Touch-Up – Burgundy* .....		1	1	
59	101997211	Paint, Touch-Up – Classic Blue (Navy)* .....		1	1	
59	101997205	Paint, Touch-Up – Dark Gray* .....	1	1	1	
59	101997209	Paint, Touch-Up – Dark Green* .....	1	1	1	
59	101997204	Paint, Touch-Up – Gray* .....	1	1	1	
59	101997203	Paint, Touch-Up – Red* .....	1	1	1	
59	101997206	Paint, Touch-Up – Royal Blue (Pacific Blue)* .....		1	1	
59	101997202	Paint, Touch-Up – White* .....	1	1	1	
60	102562301	Paint, Precedent Underbody – Gray .....		1	1	
61	102587201	Paint Pen, Touch-Up, Precedent Underbody – Black .....		1	1	
		Please refer to the maintenance and service manual for proper tool application.				
		* Item 59 is not for use on Surlyn <sup>®</sup> body material, which is used on Precedent vehicles.				

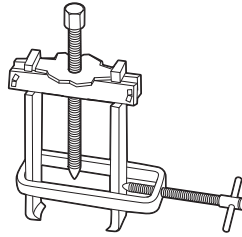
**14**  
**G**  
**E**  
**D**



62



63



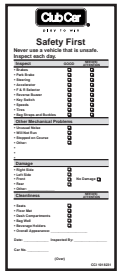
64



65



66



67



68



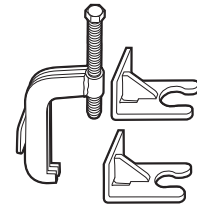
69



70



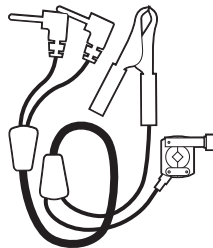
71



72



73



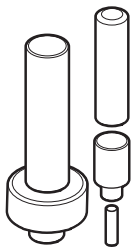
74



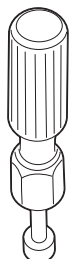
75



76



77



83



84



85



86



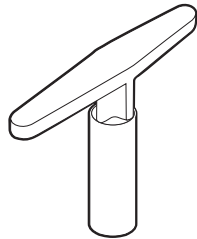
## MAINTENANCE AND SERVICE TOOLS, CONTINUED

ITEM	PART NO.	DESCRIPTION	QTY	QTY	QTY	14
			DIESEL	GAS	ELEC	
		1 2 3 4				G
62	1016414	Piston Ring Compressor Kit (FE290, FE350 and FE400 engines) .....		1		E
63	1016415	Piston Ring Pliers (for Kawasaki Engines) .....		1		D
64	102668801	Puller, Special Use (for Kubota D722 Diesel Engines) .....	1			
65	1012549	Retaining Ring Pliers, 45° External .....	1	1	1	
66	1012560	Retaining Ring Pliers, 90° Internal .....	1	1	1	
67	101823101	Safety First Card (50 per pack) .....	1	1	1	
68	1012809	Seal Puller .....	1	1	1	
69	102330901	Spanner Wrench (for coil over shock front suspension vehicles only) .....	1	1		
70	1014264	Steering Column Bearing Press Tool .....		1	1	
71	1014259	Steering Column Retaining Ring Tool .....		1	1	
72	102061201	Steering Wheel Puller Tool .....	1	1	1	
73	AM10753	Tachometer (includes gasoline engine pick up lead only) .....	1	1		
74	AM10771	Tachometer Diesel Probe (for use with item 73) .....	1			
75	1014162	Transaxle Axle Seal Tool .....		1		
76	1014161	Transaxle Pinion Seal Tool .....		1		
77	1014115	Transmission Tool Kit .....		1		
78	101611003	Tune-Up Kit, All OHV (for FE290, FE350, FE400 only) (includes air filter, spark plug, oil filter, fuel filters) (not shown) .....		1		
79	AM11804	Tune-Up Kit, Gx620 (for Honda Engines) (includes air filter, spark plug, oil filter, fuel filters) (not shown) .....		1		
80	AM11805	Tune-Up Kit, D722 (for Kubota Engines) (includes air filter, oil filter, fuel filters, water separator filter) (not shown) .....	1			
81	AM1220301	Tune-Up Kit, Precedent (for FE290/350 Engines) (includes air filter, spark plug, oil filter, fuel filters) (not shown) .....		1		
82	AM1232401	Tune-Up Kit, FH680D (for Kawasaki V-Twin Engines) (includes oil filter, fuel filter, air filter, and spark plugs) (not shown) .....		1		
83	1016413	Valve Clearance Adjuster Screw Holder (for FE290 engines only) .....		1		
84	102674601	Valve Guide Driver (for Honda GX620 Gasoline Engines) .....		1		
85	101641201	Valve Guide Reamer (FE290, FE350, and FE400 only) .....		1		
86	102674401	Valve Guide Reamer, 6.6 mm (for Honda GX620 Gasoline Engines) .....		1		

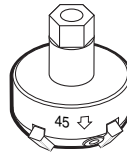
**14**  
**G**  
**E**  
**D**



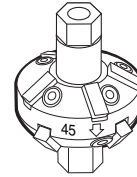
87



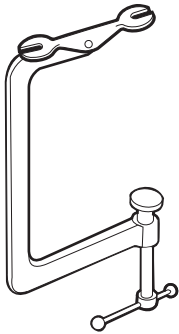
88



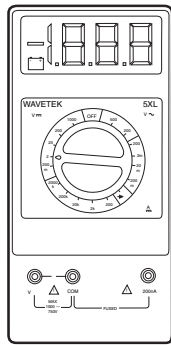
89



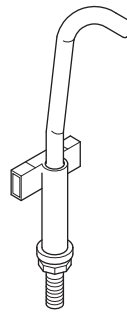
90



91



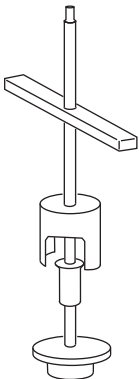
92



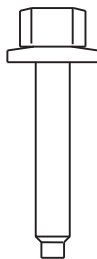
93



94



95



96

## MAINTENANCE AND SERVICE TOOLS, CONTINUED

ITEM	PART NO.	DESCRIPTION	QTY DIESEL	QTY GAS	QTY ELEC	<b>14</b>
		<b>1 2 3 4</b>				<b>G</b>
87	1016552	Valve Seat Cutter Guide .....		1		<b>E</b>
88	1016551	Valve Seat Cutter T-Wrench .....		1		<b>D</b>
89	1016553	Valve Seat Cutter, 45° (32 mm diameter) (for FE290 engines only) .....		1		
90	1016554	Valve Seat Cutter, 45°/30° (35 mm diameter) .....		1		
91	101641101	Valve Spring Compressor .....		1		
92	1011480	Volt Ohm Meter .....	1	1	1	
93	102570401	Tool, Tensioning, Starter Generator (For Precedent vehicles) .....		1		
94	103601401	Puller, Drive Clutch, XRT 950* .....		1		
95	103601701	Tool, Disassembly, Driven Clutch, XRT 950 .....		1		
96	103600501	Screw, Driven Clutch Disassembly, M6, XRT 950 .....		1		
<p>*Note: The XRT 950 Drive Clutch Puller requires the use of Screw, Driven Clutch Disassembly, CCI Part Number 103600501.</p>						



# INDEX

## Part Number and Page

AM10753	14-9	1011779	4-15	1015390	1-53
AM10771	14-9	1011990	1-53	1015392	1-25
AM11807	5-9	1012151	14-7	1015399	1-49, 1-53, 1-57
AM11808	5-9	1012295	6-11, 6-13	1015400	1-49, 1-53
AM1210002	1-17	1012303	1-49	1015457	13-9
AM1210801	1-17	1012549	14-9	101547601	3-5
AM1211003	1-17	1012560	14-9	1015521	6-11, 6-13
AM1211401	1-17	1012769	8-3	1015524	14-5
AM1215701	1-17	1012809	14-9	1015583	1-49
AM1215801	1-17	1012811	14-3	1015597	5-15
AM1232301	7-5	1012812	14-3	1015741	6-11, 6-13
AM1241201	5-9	1012830	1-35, 1-37	101587703	9-3, 9-7
AM1241301	5-9	1012871	7-5	1016078	1-47
183	9-5, 9-9	1012919	7-7	101609401	3-3
332	1-35, 1-37, 1-53, 1-57, 6-11, 6-13	1013035	5-5	101611003	14-9
334	1-47	1013042	5-5	1016183	5-13
357	1-51	1013044	5-5	101641002	14-5
403	1-49	1013051	5-5	101641101	14-11
451	1-35, 1-37	1013052	5-5	101641201	14-9
808	1-5, 1-7	101313402	9-7	101641202	14-3
1016	9-5, 9-9	1013317	1-53	1016413	14-9
1032	1-53	1013366	1-57	1016414	14-9
1035	4-15, 4-17	1013461	9-5, 9-9	1016415	14-9
1108	6-11, 6-13	1013462	9-5, 9-9	1016416	14-3
1231	1-53	1013531	4-15	1016417	14-3
1241	6-19, 6-21	1013582	14-3	1016418	14-7
7049	1-53	1013593	14-7	1016467	7-9
7310	2-3	1013734	1-35, 1-37	101648203	7-9
7473	1-49, 1-57, 6-19, 6-21	1013746	9-3, 9-7	1016513	7-7, 9-11
7973	1-53	1014115	14-9	1016544	7-5
8233	1-19, 1-53, 1-57	1014161	14-9	1016551	14-11
8251	1-55	1014162	14-9	1016552	14-11
8639	4-11, 4-15	1014259	14-9	1016553	14-11
8717	12-3	1014264	14-9	1016554	14-11
8754	1-49, 1-51, 5-13	1014305	14-3	1016603	1-51
8755	1-49, 1-51	1014306	1-55, 1-57, 4-7	1016627	14-7
8797	9-5, 9-9	1014321	1-53	1016630	6-15, 6-17
8990	1-51, 5-5, 9-13, 9-15, 12-3	1014375	6-19, 6-21	1016916	1-19
1010200	1-51	1014387	1-53	1016967	1-13, 1-39
1010434	1-53	1014415	1-53, 1-57	1017162	1-51
1010435	1-49, 1-53, 1-57	1014471	1-49, 13-3	1017167	1-51
1010436	1-57	1014496	14-5	1017774	1-51
1010521	4-15	1014497	14-5	101802601	6-15, 6-17
101082903	4-7, 4-9	1014498	14-5	101804301	1-19
1010934	1-53, 6-19, 6-21	1014507	14-5	101808401	14-3
1011084	9-13, 9-15	1014508	14-5	101809101	14-5
1011273	14-5	1014510	14-5	101813202	14-3
1011478	14-7	1014537	1-53, 1-57	101823101	14-9
1011480	14-11	1015139	9-5, 9-9	101824401	9-3, 9-7
1011553	3-3	1015143	9-5, 9-9	101831801	14-5
1011578	1-5, 1-7, 1-29, 1-31, 13-9	1015245	1-53	101831901	14-3
1011652	1-33, 1-35, 1-37, 1-39	1015246	1-53	101833101	8-3
1011697	1-39	1015258	1-49	101833201	8-3
1011767	14-3	1015277	1-47	101835601	1-47, 1-49
		1015313	1-53	101856102	11-5
		1015363	1-53	101871001	14-3

# INDEX

101879401	5-5	102221401	1-57	102375401	6-17
101879701	5-5	102221501	1-57	102375901	12-3
101879801	5-5	102221701	1-57	102376001	12-3
101879901	5-5	102221801	1-57	102376602	12-19
101880201	5-5	102222001	1-57	102376603	4-11
101887101	14-3	102222101	1-57	102376605	5-7
101887601	1-35, 1-37, 4-11, 10-3	102222201	1-57	102377501	13-9
101894302	1-53	102224001	3-5	102377601	13-9
101894304	1-57	102231601	3-5	102377801	13-3
101898001	6-19, 6-21	102239901	1-57	102377901	13-3
101928701	14-7	102241501	14-7	102379001	9-23
101933101	14-7	102241502	14-7	102380301	13-3
101958602	1-47	102243402	14-7	102380601	4-13
101963401	1-53, 1-57	102248803	14-7	102381701	12-5
101972001	14-7	102249901	14-3	102382401	8-3
101972002	14-7	102251501	14-7	102385601	11-9, 11-13
101972003	14-7	102274101	5-7, 5-15	102385701	11-11
101972004	14-7	102276001	12-19	102393501	5-15
101972005	14-7	102288901	13-9	102395601	9-21, 9-23
101972006	14-7	102289001	1-5, 1-7, 1-15, 1-19, 7-11, 9-3, 9-7, 13-9	102398901	5-15
101972007	14-7	102290120	5-3	102399201	4-5
101972009	14-7	102292356	1-5, 1-7	102399202	4-5
101972011	14-7	102292701	1-9, 1-11	102402801	4-7
101972012	14-7	102292801	1-9, 1-11	102402901	4-7
101987901	1-5, 1-7	102296020	1-39	102406701	9-9
101988101	1-5	102296140	4-11	102406801	9-9
101988201	1-5	102296401	9-17, 9-19	102408401	5-7
101990802	4-15	102296601	7-19	102409301	10-9
102003201	9-3	102296716	4-11, 11-3, 11-5	102409501	10-3
102010102	5-5	102296920	7-19	102409601	10-7
102022601	5-5	102297230	1-5, 1-7, 1-9, 1-11, 1-19	102410001	13-11
102022901	5-5, 5-7	102298130	1-35, 1-37, 5-3, 5-13	102410301	13-3
102023703	1-35, 1-37	102298401	1-13, 1-35, 1-37, 4-9, 7-11, 8-3, 9-13, 9-15, 10-9, 12-3	102410602	9-7
102025801	1-25	102298580	1-19	102410603	4-11, 8-3
102030101	1-53	102298720	1-13, 10-3, 13-9	102410604	9-3
102030201	1-53	102301401	1-47	102410801	9-7
102044702	6-15	102323101	1-47	102411202	9-3
102044801	6-15	102323501	1-13, 4-17	102411203	9-7
102045001	1-19	102330901	14-9	102411204	13-5, 13-9
102047001	1-35, 1-37	102355301	6-19, 6-21	102411205	13-9
102048401	1-19	102361901	5-7	102411206	13-9
102051401	4-7	102363802	5-3	102411207	13-3, 13-9
102051601	6-15, 6-17	102365601	5-11	102411208	13-3, 13-9
102051701	6-15, 6-17	102365602	5-13	102411209	9-23
102052801	4-15	102367101	5-3	102411210	9-21, 11-3, 11-5
102059001	1-35, 1-37	102367601	4-3	102411301	13-3
102059401	1-35, 1-37	102369901	11-11	102414501	11-5
102061101	1-35, 1-37	102370101	8-3	102414701	8-3
102061201	14-9	102370501	7-19, 8-3	102414801	8-3
102065901	1-49	102370601	7-19, 8-3	102418101	1-47
102066001	1-51	102371401	7-11	102420201	6-11, 6-13
102169401	14-7	102371801	12-7	102420401	6-11, 6-13
102171503	1-49	102372101	12-11	102420501	6-11, 6-13
102176901	4-7, 4-9	102374901	11-7	102422301	8-51, 10-9
102198001	6-15, 6-17			102426301	9-3, 9-7
102221301	1-57			102426601	1-47, 1-51

# INDEX

102426901	1-49	102457501	7-11	102491001	7-19, 12-5
102427501	13-5	102458901	1-35, 1-37, 3-5	102491101	12-5
102427601	13-9	102459001	3-5	102491301	1-13, 1-41
102430001	9-7	102459101	3-5	102491302	1-13
102430101	9-7	102459201	3-5	102491501	1-13, 1-19, 1-41
102430201	9-7	102459301	3-3	102491601	4-3, 4-5, 4-19, 4-21
102430301	9-7	102459401	3-3	102491701	1-23, 1-55
102430401	9-7	102459501	3-5	102492201	6-11, 6-13
102434601	9-7	102460201	3-5	102492301	6-13
102434701	9-7	102462301	8-3	102493301	4-3, 4-5, 4-19, 4-21
102434801	9-7	102462401	12-5	102493801	1-47
102435001	13-9	102462501	8-3	102494401	8-3
102436701	13-3	102463101	12-21	102494701	9-9
102437001	5-7	102463301	12-21	102495001	5-13
102438201	12-7	102463401	12-21	102498201	6-21, 8-3
102438301	12-7	102463501	12-19	102498601	9-21, 9-23
102438401	12-7	102463601	12-19	102522001	9-5, 9-9
102438501	12-7	102463801	12-19, 12-21	102537801	1-39
102438601	12-7	102463901	12-21	102538501	6-5, 6-9
102438701	12-7	102464001	12-21	102540802	1-39
102438801	12-7	102464101	12-21	102541465	4-11, 9-21, 9-23
102438901	12-7	102464201	12-21	102555501	14-3
102439001	12-7	102464301	5-7, 12-21	102562401	14-3
102439101	12-7	102464401	12-21	102570401	14-11
102439201	12-7	102464501	12-21	102571301	5-3
102439301	12-7	102464601	5-13	102600001	8-5
102439401	12-7	102465701	1-51	102600101	8-5
102439501	12-7	102465901	8-3	102600201	8-5
102439601	12-7	102466201	9-7	102600301	8-5, 8-9, 8-51
102439701	12-7	102469401	9-19	102600401	8-5
102439801	12-7	102470101	5-13	102600601	8-5
102439901	12-7	102470501	5-13	102600701	8-5
102440101	12-7	102470601	5-13	102600801	8-5, 8-9
102440201	12-9	102473501	1-35, 1-37	102601001	8-5, 8-11
102440301	12-7	102473601	1-35, 1-37	102601301	8-5
102440401	12-9	102473701	1-35	102601401	8-5
102440501	12-9	102474301	4-11	102601501	14-5
102440601	12-9	102475701	4-11, 9-13, 9-15	102601801	8-11, 8-51
102442001	1-35, 1-37	102475801	4-11	102601901	8-11
102442201	6-19, 6-21	102475901	1-35, 1-37	102602001	8-11
102442301	6-19	102476301	9-17, 9-19	102602101	8-11
102442401	6-19	102476401	9-17, 9-19	102602301	8-11
102442901	4-13, 9-17, 9-19	102477001	5-15	102602401	8-11
102443601	7-11	102478501	9-9	102602601	8-11
102445201	9-17, 9-19	102479301	9-17, 9-19	102602701	8-11
102446601	5-13	102480501	13-9	102602801	8-11
102447601	1-41	102481001	11-5	102603201	8-21
102447602	1-41	102481201	11-5	102603501	14-5
102447901	6-11, 6-13	102481301	11-5	102603601	8-27
102448001	6-11, 6-13	102488001	4-3, 4-5, 4-19, 4-21	102603701	8-27
102448401	6-21	102489901	9-19	102603801	8-27
102448501	6-21, 7-11	102490101	1-45, 8-3	102603901	8-27
102449101	12-19	102490201	8-3	102604001	8-27
102449201	12-21	102490301	6-19, 13-3	102604101	8-27
102456001	1-35, 1-37	102490501	8-3	102604201	8-21, 8-27
102457001	9-13	102490801	5-7	102604301	8-27

# INDEX

102604401	8-23, 8-27	102615701	12-3	102633801	8-37
102604501	8-27	102615801	9-13, 9-15	102633901	8-37
102604701	8-27	102616003	11-5	102634001	8-37, 8-51
102604901	8-21	102616101	11-5	102634101	8-37
102605001	8-21	102616301	5-7, 5-11, 5-13	102634401	8-37, 8-51
102605101	8-7, 8-21	102616501	11-9	102634501	8-37, 8-51
102605201	14-5	102616701	12-3	102634601	8-37
102605301	8-21	102616801	5-3	102634701	8-37
102605401	8-21	102617201	1-13, 1-41	102635101	8-41
102605501	8-21	102617501	5-7	102635201	8-37
102605601	8-21	102617701	5-7	102635301	8-29, 8-37, 8-39, 8-51
102605701	8-39	102617801	5-7	102635501	8-29
102605801	8-21	102618101	4-13, 9-17, 9-19	102635701	8-29
102605901	8-21	102618301	1-13, 1-47, 4-13, 4-15, 4-17, 9-17, 9-19, 12-3	102635801	8-29
102606001	8-21	102618401	4-7, 4-9	102635901	8-29
102606101	14-5	102618601	1-19, 1-29, 1-31, 1-47, 1-51, 4-7, 4-13, 4-15, 4-17, 5-3, 5-13, 7-11, 8-3, 9-3, 9-7, 9-17, 9-19, 13-9	102636201	8-41
102606201	8-17	102619801	5-15	102636301	8-41
102606301	8-17	102620301	1-41	102636401	8-41
102606401	8-17	102620401	5-15	102636501	8-41
102606501	8-17	102620501	5-7, 5-11, 5-13, 5-15	102636601	8-41
102606601	8-17, 8-51	102621201	9-21, 9-23, 10-3	102637001	8-29
102606701	8-15	102621301	7-11, 8-3, 10-9	102637101	8-29
102606901	8-7	102621501	8-3, 9-21, 9-23	102637701	8-35
102607001	8-7	10262201	4-13	102640401	8-35
102607201	8-7	102628001	11-5	102640501	8-35
102607301	8-7	102628101	10-9	102640601	8-31, 8-35
102607401	8-7	102629001	1-51, 4-15	102640701	8-35
102607501	14-5	102630001	8-23	102640901	8-35
102607601	8-23, 8-53	102630003	8-23	102641001	8-35
102607602	8-23	102630101	8-23	102641101	8-35
102607801	8-23	102630201	8-23	102641201	8-35
102607901	8-23	102630301	8-23, 8-51	102641501	8-39
102608001	8-23	102630401	8-23	102642401	8-39
102608101	8-23	102630601	8-33	102642501	8-39
102608201	8-19, 8-51	102630701	8-23	102642601	8-39
102608301	8-19, 8-51	102630703	8-23	102642701	8-39
102608401	8-19	102630901	8-23, 8-53	102642801	8-39
102608501	8-19	102631001	8-23, 8-53	102642901	8-39
102608601	8-19	102631301	13-11	102643001	8-39
102608701	8-19, 13-13	102631401	13-11	102643101	8-39
102608801	8-23	102631601	8-5, 8-33, 13-11	102643201	8-39
102608803	8-23	102631701	13-15	102643301	8-39
102608804	8-23	102631801	13-15	102643401	8-39
102608806	8-23	102632001	13-15	102643601	8-39
102608901	8-19	102632101	13-15	102643701	8-39
102609001	8-23	102632201	13-15	102644001	8-13, 8-51
102609003	8-23	102632701	8-51, 13-13	102644101	8-13
102609101	8-19	102633001	13-11	102644501	8-51
102609301	8-19	102633201	13-11	102645501	8-43
102609401	8-19	102633301	8-13, 13-11	102646001	8-47, 8-51
102609601	8-19	102633401	8-51, 13-11	102646101	8-47
102609801	8-23	102633601	8-41	102646301	8-49
102609803	8-23	102633701	8-37	102646401	8-45
102610001	8-23			102646501	8-49
102614101	1-49, 1-51			102646601	8-49, 8-51
102614401	1-57			102647101	8-49



# INDEX

102647201	8-49	102684601	12-3	102697901	12-15, 12-25
102647501	8-25	102684901	13-9	102698001	12-15, 12-25
102647701	8-33, 8-43	102685001	13-3	102698101	12-25
102647801	8-25	102685601	5-15	102698301	12-13, 12-23
102647901	8-25	102686101	14-3	102698401	12-25
102648001	8-25	102687801	5-5	102698601	12-15, 12-25
102648401	8-43	102689001	4-11	102698701	12-15, 12-25
102648501	8-43	102689101	5-11, 5-13	102698901	12-13, 12-23
102651301	8-45	102689102	5-11, 5-13	102699001	12-25
102651501	8-45	102690201	11-9, 11-13	102699201	12-13, 12-23
102651601	8-45	102690301	11-9, 11-13	102699301	12-15, 12-25
102651701	8-45	102690401	11-9	102699401	12-13, 12-23
102651801	8-45	102690501	11-9, 11-13	102699601	12-17, 12-27
102652001	8-45	102690701	11-9, 11-13	102699701	12-13, 12-23, 12-25
102652601	8-45	102690801	11-9	102701001	8-9
102652701	8-45	102691001	11-13	102701201	8-33
102652801	8-9	102691401	11-9, 11-13	102703301	8-11
102652901	8-45	102691601	11-9, 11-13	102710301	9-7
102653001	8-45	102691701	11-9, 11-13	102711601	12-5
102653101	8-45	102691801	11-9, 11-13	102712601	4-15
102653201	8-45	102691901	11-13	102714001	4-3, 4-5, 4-21
102653301	8-45, 8-51	102693301	12-13, 12-19, 12-23	102716001	4-17
102653401	8-9	102693401	12-19	102718101	1-17, 1-33, 1-35, 1-37, 1-41, 1-55
102653501	8-9	102693501	12-13, 12-19, 12-23	102719301	1-17, 11-11
102653601	8-45	102693601	12-21	102721501	12-13, 12-23
102653701	8-45	102694001	12-21	102722001	7-11
102653901	8-9	102694201	12-13, 12-19, 12-23	102722301	5-7
102654101	8-9, 8-51	102694301	12-19	102725501	9-21, 9-23
102654301	8-11, 8-37, 8-47	102694401	12-19	102725601	9-21, 9-23
102654401	8-21	102694502	12-21	102726201	8-5
102654601	8-7, 8-51	102694701	12-19	102726301	8-5
102654701	8-51, 13-11	102694801	12-19	102726401	8-5
102668801	14-9	102695401	11-11, 11-19	102726501	8-5
102669901	14-7	102695601	11-11, 11-19	102726601	8-5
102670601	1-35, 1-37	102695701	11-11	102726701	8-9
102670701	1-17, 8-3	102695801	11-11, 11-19	102726901	8-9
102670801	9-7	102695901	11-11, 11-19	102727001	8-9
102670901	9-5	102696001	12-17, 12-27	102727101	8-9
102671201	1-41	102696101	12-13, 12-23	102727401	8-11
102672101	12-19	102696201	12-13, 12-15, 12-23, 12-25	102727501	8-11
102672201	12-19	102696301	12-13, 12-23	102727601	8-11
102672301	12-19	102696401	12-17, 12-27	102727701	8-15
102672401	12-19	102696501	12-13, 12-15, 12-23, 12-25	102727901	8-17
102673201	1-57	102696601	12-17, 12-27	102728001	8-19
102674001	14-5	102696701	12-13, 12-23	102728101	8-23, 8-53
102674101	14-5	102696801	12-13, 12-15, 12-23, 12-25	102728102	8-23
102674201	14-5	102696901	12-13, 12-15, 12-23, 12-25	102728301	8-25
102674401	14-9	102697001	12-25	102728401	8-27
102674601	14-9	102697101	12-13, 12-15, 12-23, 12-25	102728501	8-27
102675001	14-5	102697201	12-15, 12-25	102728601	8-29
102675101	14-5	102697301	12-13, 12-23	102728701	8-29
102675201	14-5	102697401	12-13, 12-23	102728801	8-29, 8-51
102675301	14-5	102697501	12-15, 12-25	102728901	8-29
102675401	14-5	102697601	12-13, 12-23	102729101	8-31
102682901	5-15	102697701	12-13, 12-23	102729301	8-11, 8-51
102684501	5-15, 12-3	102697801	12-13, 12-23	102729401	8-37

# INDEX

102729501	8-37	102788701	5-11, 5-13	102866814	1-9
102729601	8-39	102791701	5-7	102866815	1-11
102729701	8-39	102791702	5-7	102866818	1-9, 1-11
102730201	8-33	102792001	5-7	102866901	1-5, 1-7
102730401	8-33	102792002	5-7	102867001	1-5, 1-7
102730601	8-33	102798001	8-9	102867101	1-19
102730801	8-5	102798201	8-11	102867202	1-21
102730901	13-11	102798401	8-13	102867301	1-19
102731001	13-11	102798501	8-13, 8-51	102867401	1-7
102731101	13-11	102798601	8-13	102867501	1-5
102731201	13-13	102798701	8-13	102869401	6-15, 6-17
102731301	8-33	102798801	8-13	102873901	1-39
102731501	8-49	102798901	8-13	102874301	5-7
102731601	8-49, 10-9	102799001	8-13	102874501	5-7
102731801	8-51	102799101	8-13	102878301	1-39
102731901	8-51	102799201	8-13	102879201	1-33, 1-39
102732001	8-53	102799401	8-21	102879401	1-33, 1-39
102732201	8-23, 8-53	102799501	8-29	102882301	1-15
102732401	1-33, 1-35, 1-37, 1-55	102799601	8-31	102882401	1-5, 1-7
102732501	8-33, 8-43	102799701	8-31	102882501	6-15, 6-17
102732601	8-5, 8-51	102799801	8-31	102883401	1-19
102736901	2-3	102800101	8-35	102883601	3-7, 3-9
102737101	5-15	102800201	8-41	102884301	3-3
102737301	13-3	102800301	8-41	102884401	3-3
102737401	13-3	102800401	8-37	102889001	1-39
102740401	7-19	102800501	8-37	102889101	1-39
102741501	4-17	102800601	8-37	102889201	3-3
102741601	4-17	102800701	8-33	102894401	1-7
102751301	4-17	102801001	8-33	102894501	1-7
102751401	4-17	102801101	8-45	102895101	1-5, 1-7
102751501	4-17	102801201	8-45	102895701	1-25
102751601	9-5	102801301	8-47	102896401	1-9, 1-11
102759601	1-33, 1-39	102801401	8-47	102896501	1-9, 1-11
102759901	1-33, 1-39	102801501	8-47	102912301	1-33, 1-39
102762601	12-21	102810701	9-21, 9-23	102913801	1-55
102763301	4-15	102812801	10-3	102913901	1-55
102763401	4-15	102816801	5-5	102914001	1-55
102763701	1-35, 1-37	102831501	12-19	102914101	1-55
102764201	12-13, 12-23	102834401	1-55	102914102	1-55
102764901	12-15, 12-25	102834901	10-7	102914104	1-55
102765101	12-15, 12-25	102839401	11-9, 11-13	102914105	1-55
102765201	12-13, 12-23	102855501	13-3	102927101	5-7
102765301	12-21	102865101	9-3	102927102	5-7
102765401	12-21	102866510	1-9, 1-11	102930901	10-3
102765501	12-21	102866514	1-9	102934601	8-3
102765701	12-21	102866515	1-11	102934701	8-33
102765801	12-21	102866518	1-9, 1-11	102934801	8-33
102767001	4-11	102866610	1-9, 1-11	102934901	8-33
102767101	9-13, 9-15	102866614	1-9	102935501	1-13
102767601	13-7	102866615	1-11	102943101	2-3
102767701	12-11	102866618	1-9, 1-11	102943201	12-23
102767901	13-7	102866710	1-9, 1-11	102943807	2-3
102768001	13-7	102866714	1-9	102945701	2-3
102772201	1-55	102866715	1-11	102946701	13-9
102786201	10-3	102866718	1-9, 1-11	102949301	10-5
102786301	5-11, 5-13	102866810	1-9, 1-11	102951901	7-19

# INDEX

102952101	9-9	102994301	7-5	103002401	7-7
102952102	9-5	102994401	7-17	103002501	7-7
102958301	7-11	102994601	7-15	103002801	7-7, 9-11
102958401	7-11	102994701	7-15	103002901	7-7
102958501	7-11	102994801	7-15	103003801	9-11
102958601	7-11	102994901	7-15	103003901	9-11
102961201	3-3	102995001	7-15	103004201	9-11
102961301	12-21	102995101	7-15	103005001	9-11
102961401	12-21	102995201	7-15	103005601	9-11
102961501	12-21	102995301	7-15	103009901	9-3
102961601	12-21	102995401	7-15	103010101	9-3
102967901	1-9, 1-11, 1-35, 1-37	102995501	7-15	103148501	5-7
102973201	13-5	102995601	7-15	103160101	4-19
102977101	5-3	102995701	7-15	103174301	4-11
102977201	1-13	102995801	7-15	103178401	12-13
102979301	1-7	102995901	7-15	103179901	1-19
102979401	1-5	102996001	7-15	103180001	1-19
102983201	1-13	102996101	7-15	103180101	6-15, 6-17
102983601	1-13	102996201	7-15	103181001	1-33
102988701	1-43, 1-45	102996301	7-15	103181101	1-33
102989801	5-3	102996401	7-15	103182701	1-21
102990101	7-13	102996501	7-15	103182702	1-21
102990201	7-13	102996601	7-15	103182801	1-21
102990301	7-13	102996701	7-15	103183101	1-39
102990401	7-13	102996901	7-9	103183201	1-39
102990501	7-13	102997001	7-9	103185401	11-13
102990601	7-13	102997101	7-9	103185501	11-9
102990701	7-13	102997201	7-9	103185801	11-9, 11-13
102990801	7-13	102997401	7-9	103185901	11-9, 11-13
102990901	7-13	102997601	7-9	103187501	12-3
102991101	7-13	102997701	7-9	103189501	1-27
102991201	7-13	102997801	7-9	103191201	1-53
102991301	7-13	102997901	7-9	103191301	1-53
102991401	7-13	102998001	7-9	103191401	1-53
102991501	7-13	102998101	7-9	103191501	1-53
102991601	7-13	102998201	7-9	103192101	1-43
102991801	7-13	102998301	7-9	103197201	7-11
102991901	7-13	102998401	7-9	103200501	1-55
102992001	7-13	102998601	7-3	103201501	11-13
102992101	7-13	102998701	7-3	103208701	7-19
102992201	7-13	102999101	7-3	103208801	6-17
102992301	7-13	102999201	7-3	103210501	3-3
102992401	7-3, 7-7, 7-9, 7-13	102999301	7-3	103213301	1-5, 1-7
102992501	7-3, 9-3	102999501	7-3	103214901	1-43
102992601	7-13	102999601	7-3	103215001	1-43
102992701	7-13	103000001	7-3	103215401	1-3
102992801	7-13	103000401	7-5	103215901	1-43
102992901	7-13	103000501	7-5	103216201	1-43
102993201	7-17	103000601	7-5	103216401	1-33, 1-35, 1-37, 1-43, 1-45, 1-55
102993301	7-17	103000801	7-5	103216801	1-43
102993401	7-17	103000901	7-5	103218104	1-7
102993501	7-17	103001301	7-5	103218107	1-5, 1-7
102993601	7-17	103001501	7-5	103218113	1-7
102993701	7-17	103002001	7-7	103218213	4-7
102993901	7-17	103002101	7-7	103218501	4-15
102994101	7-17	103002301	7-7	103218901	1-37

# INDEX

103225801	1-43	103293401	9-13	103341801	9-25
103227002	1-51	103296001	1-13	103341901	9-25
103231701	1-3	103297101	9-11	103342001	9-25
103231801	1-3	103297201	9-11	103342101	9-25
103233001	1-19	103297301	9-11	103342201	9-25
103234201	3-7, 3-9	103297401	7-7	103342301	9-25
103234401	6-17	103297501	7-7	103342501	9-25
103234503	2-3	103297601	7-7	103342601	9-25
103236001	1-3	103297701	7-7	103342701	9-25
103239501	12-17, 12-27	103297801	7-7	103343301	9-25
103239801	12-17, 12-27	103298001	7-7	103343401	9-25
103239901	8-33	103298101	7-7	103343501	9-25
103240601	7-11	103298201	7-7	103343601	9-25
103240814	3-7	103298301	7-7	103343701	9-25
103240817	3-7	103298501	7-5, 7-7, 9-3, 9-11	103343801	9-25
103240914	3-7	103298601	7-7, 7-13	103343901	9-25
103240917	3-7	103298901	7-13	103345501	7-5
103241010	3-9	103299301	7-3	103345801	5-7
103241015	3-9	103299401	7-3	103348101	6-15, 6-17
103241017	3-9	103299501	7-5	103348201	6-15, 6-17
103241110	3-9	103299601	7-5	103348501	6-15, 6-17
103241115	3-9	103299701	7-5	103361701	1-41
103241117	3-9	103299801	7-5	103376101	4-9
103244701	12-5	103299901	7-5	103379401	1-53
103245101	1-41	103300101	7-5	103380701	4-9
103246901	7-11	103300301	7-3, 7-9	103387501	9-3
103250301	12-13, 12-23	103305001	4-17	103400001	1-29, 1-31
103250401	12-13, 12-23	103305101	4-17	103418701	4-5
103253801	1-19	103305801	6-5	103418801	4-3, 4-5
103256401	5-7	103306801	9-25	103423701	1-29, 1-31, 13-9
103256701	5-7	103306901	9-25	103438201	9-21
103262201	1-33, 1-39	103307001	9-25	103441401	9-21, 9-23
103262601	1-33, 1-39	103307201	9-25	103487501	1-23
103262901	7-19	103307301	9-25	103488801	1-23
103267001	1-35	103319501	1-55	103488802	1-23
103267002	1-37	103319601	1-29, 1-31	103505401	4-17
103268001	1-19	103319701	1-29	103523602	4-21
103268101	10-5	103320201	9-11	103523702	4-21
103273101	4-13, 9-17, 9-19	103320301	9-11	103528201	7-19
103274502	1-45	103320401	9-11	103538701	1-49
103274602	1-45	103320601	11-3, 11-5	103538901	1-49
103276201	7-11	103326401	7-11	103574301	4-19
103277001	5-7	103327201	6-5, 6-9	103596701	9-25
103277002	5-7	103331201	1-55	103596801	9-25
103277701	6-9	103340501	9-25	103650201	9-13
103278101	9-17	103340601	9-25	103650301	9-15
103279201	7-19	103340701	9-25	103721801	12-25
103282301	5-15	103340801	9-25	103762201	5-7
103283201	9-17	103340901	9-25	103795901	9-13, 9-15
103283801	1-45	103341101	9-25	103828101	11-17
103289001	1-55	103341201	9-25	103828201	11-19
103289101	1-55	103341301	9-25	103829001	11-19
103289103	1-55	103341401	9-25	103829501	11-17
103289107	1-55	103341501	9-25	103829601	11-15, 11-17
103289109	1-55	103341601	9-25	103829701	11-15, 11-17
103293201	4-7	103341701	9-25	103829801	11-15, 11-17

# INDEX

103829901 11-15, 11-17  
103830001 11-15, 11-17  
103848001 11-15  
103856101 11-15  
95293643 12-11  
96701412 7-19, 8-3  
96704176 13-9  
96704416 10-5, 10-7, 13-9  
96704622 8-3  
96704721 7-19, 8-3  
96704960 7-19  
96705199 13-3  
96705587 7-11, 9-7  
96706825 9-17, 9-19  
96715552 1-13  
96718978 8-3  
96741038 8-3  
96741046 1-45, 7-19, 8-3  
96742515 1-35, 1-37  
96950126 9-13

## A

A-arm 5-7  
accelerator pedal 9-17, 9-19  
accelerator pedal adjustment tool 14-3  
accessory receptacle 6-15, 6-17  
actuator 1-51  
adapter  
    actuator 1-51  
    cable (IQDM) 14-7  
    hose 7-11  
    tube 7-11, 9-7  
adapter, oil filter 7-11  
adhesive, guide ring 14-3  
adjuster  
    hydraulic brake 14-7  
adjuster, forward/aft 1-35, 1-37  
adjuster, slide 5-7  
adjuster, slider 1-35, 1-37  
air clean support 9-21, 9-23  
air filter 9-21, 9-23  
air filter canister 9-21, 9-23  
air filter evacuator 9-21, 9-23  
air filter gasket 9-11  
alternator 8-33  
alternator belt 8-33  
arbor 14-3  
arm  
    A- 5-7  
    governor shaft 7-7  
    rocker 7-15, 8-45  
arm, governor lock 7-7  
arm, swing 5-15  
assembly  
    accelerator pedal 9-19  
    adjusting bolt 8-29

bearing case cover 8-19  
brake pedal 4-13  
brake rotor 4-11, 12-19  
bucket seat 1-35  
camshaft 8-21  
case, main bearing 8-19  
connecting rod 8-23  
cylinder head cover 8-13  
drain cock 8-5  
filler cap 4-7  
fuel camshaft 8-27  
fuel cap 9-9  
fuel filter 9-7  
fuel injection pump 8-35  
fuel pump 9-7  
fuel tank vent 9-5, 9-9  
gear case 12-13, 12-21, 12-23  
governor fork 8-41  
governor fork lever 8-41  
headlight 1-7  
headlight harness 1-5, 1-7  
idle apparatus 8-29  
inner ball joint 5-5  
intake manifold 8-47  
latch, tilt bed 1-49  
muffler 12-5  
nozzle holder 8-39  
oil pump 8-17  
overflow pipe 8-39  
pinion 12-21  
piston ring 8-23, 8-53  
reservoir, remote 4-7  
rocker arm 8-45  
speed plate 8-37  
tailgate 1-57  
tether 1-57  
thermostat 13-11  
tilt bed 1-49  
tire 2-3  
water pump 13-13  
wire 6-19, 6-21, 7-11, 9-5, 9-9  
assembly, sub-  
    gear case 12-13, 12-23  
    moveable drive clutch 11-9, 11-13  
    spider 11-9, 11-13  
    stationary 11-9, 11-13  
    swingarm 5-15  
    weight clutch 11-9, 11-13  
axle 12-19  
axle tube 12-21  
axle, rear, guard mounts 12-19

## B

ball  
    check 8-21  
    crankshaft 8-23

governor 8-27  
    injection pump 8-27  
    valve 8-11  
ball joint 5-7, 9-13, 9-15  
ball stud 12-3  
band, pipe 13-11, 13-15  
banjo bolt 4-3, 4-5, 4-19, 4-21  
bar clamp 13-9  
bar, sway 5-13  
barb, vent 9-3, 9-7  
barrel, plastic 1-53  
base, seat holder 1-35, 1-37  
battery 6-19, 6-21  
battery clamp 6-19, 6-21  
battery discharge machine 14-3  
battery terminal protector spray 14-3  
battery thermometer 14-3  
bearing 5-7, 12-21  
    ball (steering pinion) 5-5  
    lower pinion 5-5  
    needle 12-7, 12-13, 12-15, 12-21, 12-23,  
        12-25  
bearing and oil seal remover 14-3  
bearing case cover 8-19  
bearing case, main 8-19  
bearing driver set 14-3  
bearing puller 14-3  
bearing puller wedge 14-3  
bed floor plate 1-49  
bed latch 1-53  
bed latch spring 1-53  
bed lift harness 1-51  
bed, tilt 1-49  
bell crank cable 4-15  
bellcrank 4-17, 12-17, 12-27  
bellows 5-5, 12-19  
belt guard 8-33  
belt, alternator 8-33  
belt, drive 11-7  
bench seat back 1-33, 1-39  
bench seat bottom 1-33, 1-39  
bench seat kit 1-39  
bezel, fuel fill 9-7  
block, differential spacer 12-5  
block, engine 8-5  
block, fuse 6-11, 6-13  
bobbin, coil with press fit 12-7  
bolt  
    adjusting 8-29  
    banjo 4-3, 4-5, 4-19, 4-21  
boot kit, boxed 5-9  
boot replacement kit 5-9  
boot, half shaft 5-9  
bottle, coolant 13-5  
box  
    cargo 1-57

# INDEX

- bracket
    - actuator 1-51
    - anti-sway bar 5-13
    - bed latch 1-47
    - brake line 4-11
    - brake pedal 4-13
    - cover inlet 11-5
    - draw latch 1-5, 1-7
    - equalizer 4-15
    - hood support 1-19
    - hydraulic line 4-11, 5-11, 5-13
    - muffler 10-3
    - oil filter mount 7-11
    - park brake 4-17
    - radiator support 13-9
    - rocker arm 8-45
    - seat back 1-33, 1-39
    - seat belt 1-33, 1-39
    - seatbelt 1-35, 1-37
    - steering column 1-13
    - transmission cable 8-3
    - transmission mounting 8-3
  - bracket caliper, front 4-19
  - bracket, oil filter 7-11
  - brake adjustment tool 14-3
  - brake cable 4-15
  - brake cable release tool 14-3
  - brake caliper 4-3, 4-5
  - brake caliper return spring 4-5
  - brake fluid reservoir 4-7
  - brake line, front 4-11
  - brake line, rear 4-11
  - brake pad service kit 4-3, 4-5, 4-21
  - brake pedal 4-13
  - brake pedal adjustment tool 14-3
  - brake pedal tension tool 14-3
  - brake return spring 4-15
  - brake rotor 4-11, 12-19
  - breather cover 8-13
  - breather gasket 7-13
  - breather shield 8-13
  - breather tube 8-13
  - breather valve 8-13
  - brush, FNR 1-19
  - bucket seat 1-35, 1-37
  - buckle, seatbelt 1-41
  - bulb, headlight 1-5
  - bullet, detent 12-15, 12-25
  - bumper 13-9
    - bed 1-47, 1-51
    - rubber 1-57
  - bumper, front 1-3
  - bushing 1-51
    - A-arm 5-7
    - anti-sway bar 5-13
    - flanged bronze 8-21
  - forward/reverse 12-3
  - greaseless 4-13, 9-17, 9-19
  - link 5-13
  - nylon 1-53
  - Permgilide 12-7
  - piston pin 8-23, 8-53
  - pivot, urethane 5-15
  - plain 12-9
  - return line 9-9
  - self-lubricating 12-7
  - snap-in 1-53
  - steel 1-49
  - teflon 5-15
  - urethane 1-49
- button, thrust 12-7
- ## C
- cable
    - bell crank 4-15, 4-17
    - brake 4-15
    - choke 9-13
    - FNR shifter 9-13, 9-15
    - IQDM 14-7
  - cable, bell crank 4-15
  - cage, roll 12-7
  - calibration test module 14-3
  - caliper bracket, front 4-19
  - caliper, brake 4-3, 4-5
  - cam installation tool 14-3
  - camshaft 7-15, 8-21
  - camshaft guide 7-15
  - camshaft kit 7-15
  - camshaft plate 7-15
  - camshaft spring 7-15
  - camshaft, fuel 8-27
  - canister, air filter 9-21, 9-23
  - cap
    - air filter 9-21, 9-23
    - bolt assembly 8-29
    - corner 1-53
    - filler 4-7
    - fuel 9-9
    - fuel tank 9-5
    - inlet 11-5
    - oil fill 7-9
    - pressure 13-5
    - radiator 13-3
    - rubber 5-7, 5-15
    - sealing 8-5, 8-9
    - speed control plate 8-37
    - steering wheel 5-3
    - valve 8-45
  - cap, filler 4-9
  - cap, front corner 1-57
  - carburetor 9-25
  - carburetor air vent tube 9-3, 9-7
  - carburetor float level tool 14-7
  - carburetor gasket 9-11, 9-25
  - carburetor heater 9-25
  - carburetor jet 9-25
  - carburetor seal 9-25
  - carburetor shaft 9-25
  - carburetor solenoid 9-25
  - carburetor spring 9-25
  - carburetor throttle shaft 9-25
  - carburetor valve 9-25
  - card, safety first 14-9
  - cargo box 1-57
  - case
    - gear 8-11, 12-13, 12-19, 12-21, 12-23
    - governor ball 8-27
    - main bearing 8-19
  - case cover, bearing 8-19
  - center console cover 1-35, 1-37
  - chain, transmission 12-13, 12-23
  - charge coil 7-5
  - charger bezel tool 14-3
  - choke cable 9-13
  - clamp
    - bar 13-9
    - battery 6-19, 6-21
    - breather tube 8-13
    - hose 9-3, 9-7
    - p- (fuel filter) 4-11, 8-3, 9-3, 9-7
    - pipe 8-39
  - clevis pin 4-7, 4-9
  - clip
    - hair pin 1-57
  - clip, body trim 1-9, 1-11
  - clip, brake line 4-11, 9-13, 9-15
  - clip, meter 6-15, 6-17
  - clip, return pipe 8-39
  - closeout 1-55
  - clutch 11-11
  - clutch alignment tool 14-5
  - clutch cover 11-9, 11-13
  - clutch housing 12-7
  - clutch removal tool 14-3
  - clutch tool kit 14-5
  - clutch, diesel 11-9
  - clutch, gas 11-13
  - coil
    - charge 7-5
    - ignition 7-5
    - pocket insert 12-7
  - coil over shock 5-11, 5-13
  - coil with press-fit bobbin 12-7
  - collar, alternator assembly 8-33
  - collar, crankshaft 8-23
  - collar, idle gear 8-21
  - collar, lever 8-37
  - collet 8-45

# INDEX

- column, steering 5-3
  - communication display module 14-5
  - compression gauge 14-5
  - compressor, piston ring 14-9
  - compressor, valve spring 14-11
  - connecting rod 8-23
  - connecting rod kit 7-17
  - connector, relay 6-11, 6-13
  - continuity tester 14-5
  - control panel 7-7
  - coolant bottle 13-5
  - coolant exchanger 13-3
  - coolant fill tee 13-3
  - coolant lamp sensor 13-11
  - coolant pipe 13-7
  - coolant pipe assembly 13-7
  - coolant pipe mounting tab 13-7
  - coolant temperature indicator light 6-17
  - cooling fan 7-3, 13-3
  - cord, glow plug 8-39
  - corner cap 1-57
  - cotter, rue ring 5-15
  - cover
    - bearing case 8-19
    - breather 8-13
    - CCI dash storage 1-21
    - clutch 11-9, 11-13
    - CVT 7-19, 8-3, 11-3, 11-5, 11-9, 11-13
    - cylinder head 8-13
    - electrical 6-11, 6-13
    - engine 7-19
    - fuel camshaft 8-5
    - heat proof 8-49
    - input 12-9
    - rocker 7-13
    - rocker switch hole 6-15, 6-17
    - thermostat 13-11
  - cover gasket 9-25
  - cover plate, output 12-7
  - cover, crankcase 7-13
  - cover, steering column 5-3
  - cowl panel 1-9, 1-11
  - cowl panel, driver-side 1-9, 1-11
  - cowl panel, passenger-side 1-9, 1-11
  - crank 8-23
  - crank oil seal 7-13
  - crankcase 7-13
  - crankcase cover 7-13
  - crankcase cover gasket 7-13
  - crankcase vent tube 9-11
  - crankshaft 7-17, 8-23
  - C-type stop ring 5-5
  - cup holder 1-19
  - cup holder, seat 1-35, 1-37
  - cutter, valve seat 14-5, 14-11
  - CVT 11-11
  - CVT cover 11-3
  - CVT cover kit, sealed 11-5
  - CVT cover kit, unsealed 11-5
  - cylinder head 7-13, 8-9
  - cylinder head cover 8-13
  - cylinder, master 4-7, 4-9
- ## D
- dash 1-19
  - decal
    - 4x4 3-7, 3-9
    - CA 295 SE 3-7
    - CA 295SE 3-7
    - Club Car tailgate 1-57
    - crush area warning 3-3
    - driver/passenger 3-5
    - ground warning 3-5
    - hot manifold warning 3-5
    - hot surface warning 1-35, 1-37, 3-5
    - instrument panel warning 1-39
    - nameplate 3-7, 3-9
    - operating instructions 1-39, 3-3
    - operator warning 3-3
    - ROPS warning 3-3
    - rotating parts 3-5
    - rotating parts and hot manifold 3-5
    - rotating parts warning 3-5
    - tailgate 1-53
    - trailer hitch 3-3
    - under 16 warning 3-3
    - vehicle loading 3-3
    - warning 3-3
    - winch cable warning 3-5
    - XRT 1550SE 3-9
  - deflector oil 12-13, 12-23
  - diesel tachometer probe 14-9
  - differential housing 12-21
  - differential, front 12-7
  - diode 6-5, 6-9
  - dowel pin 12-7
  - drag link 5-5
  - drain cock 8-5
  - drive belt 11-7
  - drive clutch fixed sheave tool 14-5
  - drive clutch holder tool 14-5
  - drive clutch hub puller 14-5
  - drive clutch puller 14-5
  - drive clutch spider removal tool 14-5
  - drive clutch, moveable 11-9, 11-13
  - drive shaft 12-11
  - driven clutch base sheave 11-11
  - driven clutch cam puller 14-5
  - driven clutch puller plug 14-5
  - driven clutch spring compression base tool 14-5
  - driven clutch spring compression collar tool 14-5
- ## E
- E-clip 4-15
  - elbow 9-9
  - end, tie rod 5-5
  - engine block 8-5
  - engine cover 7-19
  - engine shroud 7-3
  - engine starter motor 7-5
  - engine, diesel, Kubota D722 with closed breather 8-3
  - equalizer 4-15
  - exchanger, engine coolant 13-3
  - exhaust header 10-5, 10-7
  - exhaust header gasket 10-5
  - exhaust installation 10-3
  - exhaust pipe 10-3
  - exhaust valve 7-15, 8-45
  - extension, spring latch 1-49
- ## F
- fan housing plate 7-3
  - fan shroud 13-3
  - fan, cooling 7-3, 13-3
  - fascia 1-5, 1-7
  - fastener, push-in 6-11, 6-13
  - fender, front 1-5, 1-7
  - fender, left rear 1-55
  - fender, rear 1-55
  - filler cap 4-7, 4-9
  - filter
    - air 9-21, 9-23
    - fuel 9-3, 9-7
    - inlet cover 11-5
    - oil 7-9, 8-7, 8-11
  - filter, air, canister 9-21, 9-23
  - fitting, thread-forming grease 5-15
  - flange, water 13-11
  - float valve 9-25
  - floor mat 1-25, 1-27
  - floor plate, bed 1-49
  - floorboard 1-29, 1-31
  - flywheel 7-5, 8-25
  - flywheel puller 14-7
  - FNR brush 1-19
  - FNR brush strip 1-19
  - FNR shifter bracket 8-3
  - FNR shifter cable 9-13, 9-15
  - foot well plate 1-31
  - fork, transmission 12-13, 12-23
  - Forward/Reverse shifter 12-3
  - frame, tilt bed 1-49

# INDEX

front brake line 4-11  
front bumper 1-3  
front differential 12-7  
front gear case 12-13, 12-23  
front panel 1-53, 1-55  
fuel camshaft 8-27  
fuel cap 9-9  
fuel filter 9-3, 9-7  
fuel gauge sending unit 9-5, 9-9  
fuel injection pump 8-35  
fuel line 9-3  
fuel pickup tube 9-9  
fuel pump 9-7  
fuel system 9-7  
fuel tank (diesel) 9-9  
fuel tank (gasoline) 9-5  
fuel tank cap 9-5  
fuel tank strap 9-3, 9-7  
fuel tank vent 9-5, 9-9  
fuel tank, diesel 9-9  
fuel tank, gas 9-5  
fuel-hour gauge 6-15, 6-17  
fuse  
    10-amp 6-11, 6-13  
    25-amp 6-11, 6-13  
    30-amp 6-13  
fuse block 6-11, 6-13

## G

gasket 9-25  
    air filter 9-11  
    bearing case 8-19, 8-51  
    breather 7-13  
    carburetor 9-11, 9-25  
    clutch cover 11-9, 11-13  
    control plate 8-37, 8-51  
    cover 8-19, 8-51, 9-25, 11-5  
    crankcase cover 7-13  
    cylinder head 8-9, 8-51  
    cylinder head cover 8-13, 8-51  
    drain plug 8-7  
    exhaust 8-51, 10-7, 10-9  
    exhaust header 10-5  
    ex-manifold 8-49, 8-51  
    fuel pump 8-5, 8-51  
    gearcase 8-11, 8-51  
    head 7-13  
    head cover 8-51  
    head cover nut 8-29, 8-37, 8-39, 8-51  
    idle apparatus 8-29, 8-51  
    intake manifold 8-47, 8-51  
    liquid 14-7  
    manifold 9-11  
    nozzle 8-39  
    oil pump 8-17, 8-51  
    rocker cover 7-13

    sending unit 9-5, 9-9  
    thermostat 8-51, 13-11  
    water flange 8-51, 13-11  
    water pump 8-51, 13-13  
gasket, carburetor 9-25  
gauge, compression 14-5  
gauge, fuel-hour 6-15, 6-17  
gauge, oil 7-9, 8-15  
gear  
    cam 8-21  
    case 8-11, 12-13, 12-19, 12-21, 12-23  
    crank 8-23  
    helical 12-15, 12-25  
    idle 8-21  
    injection pump 8-27  
    oil pump drive 8-17  
    ring 8-25, 12-7, 12-21  
gear case, front 12-13, 12-23  
gear ring engagement 12-15, 12-25  
gear yoke 14-7  
gear, oil pump 7-9  
glow plug 8-39  
glow plug cord 8-39  
governor control lever 7-7  
governor fork lever 8-41  
governor lever 8-37  
governor lock arm 7-7  
governor oil seal 7-13  
governor plate 7-7  
governor return spring 7-7  
governor shaft 7-7  
governor shaft arm 7-7  
governor shaft installation tool 14-7  
governor shield 10-3  
governor spring 7-7  
grill 1-5, 1-7  
grip tape, accelerator pad 9-17, 9-19  
grip, tilt latch hand 1-49, 1-53  
grommet 9-5, 9-9, 12-7  
guard, belt 8-33  
guard, oil filet 7-11  
guard, splash 1-13  
guide  
    accelerator cable 9-17, 9-19  
    detent bullet 12-15, 12-25  
    exhaust valve 8-9  
    inlet valve 8-9  
    oil gauge 8-15  
    valve seat cutter 14-11  
guide ring adhesive 14-3  
guide, camshaft 7-15  
guide, rocker arm 7-15

## H

hair pin clip 1-57  
half shaft boot 5-9

handle, tilt steering 5-3  
harness 6-5, 6-9, 7-5  
harness, bed lift 1-51  
harness, wire 1-5, 1-7  
head gasket 7-13  
head restraint 1-45  
head restraint kit 1-45  
head, cylinder 7-13, 8-9  
header, exhaust 10-5, 10-7  
headlight assembly 1-7  
headlight bulb 1-5  
headlight harness 1-5, 1-7  
heat seal 8-39  
heater, carburetor 9-25  
helical gear 12-15, 12-25  
hinge plate 1-33, 1-35, 1-37, 1-39  
hinge, hood 1-9, 1-11  
holder  
    FNR strip brush 1-19  
    fork lever 8-41  
holder, cup 1-19  
hood 1-9, 1-11  
hood hinge 1-9, 1-11  
hood latch 1-5, 1-7  
hood prop 1-9, 1-11  
hook, engine 8-9  
hose 13-5  
    coolant 13-3, 13-5, 13-9  
    fuel filter 9-7  
    fuel pump 9-7  
    fuel return 9-7  
    inlet cover 11-5  
    intake 9-21, 9-23  
    overflow 8-39  
    vent 8-3, 12-5, 13-9  
hose, fuel 9-3  
hose, outlet 11-3, 11-5  
housing  
    clutch 12-7  
    differential 12-21  
    Mate-N-Lock 12-7  
    steering gear 5-5  
hub, race/output 12-7  
hydraulic brake adjuster 14-7  
hydrometer 14-7

## I

idle apparatus 8-29  
idle gear 8-21  
ignition coil 7-5  
injection pump gear 8-27  
inlet valve 8-45  
instructions, bench seat 1-39  
instructions, brush guard/bumper 1-3  
instructions, front skidplate 1-17  
insulator, manifold 9-11



# INDEX

intake adapter pipe 9-11  
intake manifold 8-47, 9-11  
intake valve 7-15  
internal retaining ring pliers 14-7  
IQ display module (IQDM) 14-7  
isolator ring and bushing 7-19, 8-3  
isolator, twin stud 13-3

## J

jet kit  
    3300-6600 ft 9-25  
    6600+ ft 9-25  
jet needle 9-25  
jet, carburetor 9-25  
joint  
    ball 5-7, 9-13, 9-15  
    eye 8-35  
    pipe 8-11

## K

keeper, push-close latch 1-21  
key 7-5  
    feather 8-17, 8-21, 8-23, 8-27  
key (pair) 6-15, 6-17  
key switch 6-15, 6-17  
key switch spacer 6-15, 6-17  
keyswitch nut 6-15, 6-17  
kick panel 1-55  
kit  
    bench seat 1-39  
    bolt 12-7  
    brake pad service 4-3, 4-5, 4-21  
    brake pedal adjustment tool 14-3  
    clutch 12-7  
    complete bench seat 1-39  
    cover plate, input 12-9  
    cover plate, output 12-7  
    drain plug 12-7  
    forward gear repair 12-15, 12-25  
    front skidplate hardware 1-17  
    front steel skidplate 1-17  
    gasket 8-51  
    H-clip spring 12-7  
    head restraint 1-45  
    IQ display module (IQDM) 14-7  
    neutral switch repair 12-15, 12-25  
    nozzle holder 8-39  
    piston rebuild 8-53  
    race output hub 12-7  
    rear axle gear repair 12-21  
    repair, minor 12-7  
    reverse gear repair 12-13, 12-23  
    roll cage 12-7  
    roller 12-7  
    ROPS 1-43

tube bumper 1-3  
tune-up 14-9  
kit, boot replacement 5-9  
kit, carburetor jet 9-25  
knob, forward/reverse 12-3

## L

latch 1-21  
latch bracket 1-5, 1-7  
latch keeper 1-21  
latch plate, tilt bed 1-47  
latch, bed 1-53  
latch, hood draw 1-5, 1-7  
latch, slam 1-57  
latch, spring 1-57  
latch, tilt bed 1-49  
lens, headlight 1-5  
lever  
    engine stop 8-37  
    fork 8-41  
    governor 8-37  
    lost motion 9-19  
    speed control 8-37  
lever, governor control 7-7  
light  
    oil 6-15, 6-17  
light, coolant temperature indicator 6-17  
light, turn signal 1-7  
line, brake reservoir 4-7  
line, fuel 9-3  
link, drag 5-5  
liquid gasket 14-7  
low oil warning light 6-15, 6-17  
lubricant, dry moly 14-7  
lubricant, moly-teflon 14-7

## M

manifold  
    exhaust 8-49  
    intake 8-47  
manifold gasket 9-11  
manifold insulator 9-11  
manifold, intake 9-11  
master cylinder 4-9  
mat, floor 1-27  
mat, floor 1-25  
Mate-N-Lock housing 12-7  
Mate-N-Lock pin 12-7  
meter clip 6-15, 6-17  
meter, volt ohm 14-11  
module  
    calibration test 14-3  
    communication display 14-5  
moly-teflon lubricant 14-7  
motor

starter 8-43  
moveable drive clutch 11-9, 11-13  
muffler 10-3, 12-5

## N

nameplate decal 3-7, 3-9  
needle, jet 9-25  
nongrease/spacers locker 12-21  
nozzle holder 8-39  
nut, keyswitch 6-15, 6-17

## O

oil cap 7-9  
oil deflector 12-13, 12-23  
oil drain plug 7-9  
oil filter 7-9, 8-7, 8-11  
oil filter adapter 7-11  
oil filter bracket 7-11  
oil filter guard 7-11  
oil filter nipple 7-13  
oil gauge 7-9  
oil pan 8-7  
oil pickup 7-9  
oil pickup screen 7-9  
oil pressure switch 7-5, 8-5  
oil pump 7-9, 8-17  
oil pump and rotor 7-9  
oil pump drive gear 8-17  
oil pump plate 7-9  
oil pump rotor 7-9  
oil pump shaft 7-9  
oil pump spring 7-9  
oil pump spur gear 7-9  
oil seal 8-11, 8-19, 12-7, 12-9  
oil seal, crank 7-13  
oil seal, governor 7-13  
oil slinger 8-23  
oil valve seal 7-13  
oil warning light, low 6-15, 6-17  
O-ring 7-9, 7-11, 8-5, 8-7, 8-9, 8-11, 8-13, 8-23,  
    8-31, 8-37, 8-51, 9-25, 12-7, 12-9  
overflow pipe 8-39

## P

paint, touch-up 14-7  
pan  
    center 1-35, 1-37  
    oil 8-7  
    seat 1-35, 1-37  
panel  
    center cowl 1-9, 1-11  
    driver-side 1-55  
    driver-side cowl 1-9, 1-11  
    front kick 1-55  
    left 1-57

# INDEX

- passenger-side 1-55
  - passenger-side cowl 1-9, 1-11
  - right 1-57
  - side 1-53
  - panel, control 7-7
  - panel, front 1-53, 1-55, 1-57
  - panel, side 1-55
  - p-clamp (fuel filter) 4-11, 8-3, 9-3, 9-7
  - pedal, accelerator 9-17, 9-19
  - pedal, brake 4-13
  - pickup, oil 7-9
  - pin, clevis 4-7, 4-9
  - pin, dowel 12-7
  - pin, Mate-N-Lock 12-7
  - pin, piston 8-23, 8-53
  - pin, slide, caliper slide pin 4-3, 4-5
  - pinion 12-21
  - pinion, steering 5-5
  - pipe
    - breather 8-47
    - exhaust 10-3, 10-9
    - injection 8-39
    - overflow 8-39
    - water 13-15
    - water return 8-13, 13-11
  - pipe band 13-11, 13-15
  - pipe clamp 8-39
  - pipe, coolant 13-7
  - pipe, intake adapter 9-11
  - piston 7-17, 8-23, 8-53
  - piston pin 8-23, 8-53
  - piston ring 8-23, 8-53
  - piston ring compressor 14-9
  - piston ring pliers 14-9
  - plate
    - armature 12-7
    - back 1-49, 1-51
    - camshaft 7-15
    - cover, output 12-7
    - electrical 6-11, 6-13
    - engine block 8-5
    - engine mounting 8-3
    - fan housing 7-3
    - fuel/oil 9-7
    - governor 7-7
    - hinge 1-33, 1-35, 1-37, 1-39
    - latch 1-47
    - oil pump 7-9
    - shroud 8-25
    - skid 1-15, 1-17
    - speed 8-37
    - speed control 8-37
    - tailgate latch wear 1-53
    - thrust 12-7
  - plate, closeout 1-55
  - plate, foot well 1-31
  - plate, steering wheel center 1-39
  - pliers
    - internal retaining ring 14-7
    - piston ring 14-9
    - retaining ring 14-9
  - plug 12-13, 12-23
    - drain 8-7
    - driven clutch puller 14-5
    - engine block 8-5, 8-9, 8-11, 12-19
    - expansion 8-5
    - gearcase 12-13, 12-19, 12-23
    - glow 8-39
    - hole 6-15, 6-17
    - oil drain 12-7
    - oil fill 12-7
    - oil filler 8-13
    - tube 1-3
  - plug, oil drain 7-9
  - plug, spark 7-5
  - press weldment 14-5
  - prop rod 1-47
  - prop shaft 12-11
  - prop, hood 1-9, 1-11
  - protector spray, battery terminal 14-3
  - puller
    - bearing 14-3
    - clutch 14-3
    - drive clutch 14-5
    - drive clutch hub 14-5
    - driven clutch cam 14-5
    - flywheel 14-7
    - seal 14-9
    - special use tool 14-9
  - pulley
    - fan drive 8-33
    - water pump 8-33
  - pullrod, compression spring 9-17, 9-19
  - pump
    - fuel 9-7
    - fuel injection 8-35
    - oil 8-17
    - water 13-13
  - push rod 7-15, 8-21
  - push rod tappet 7-15
- ## R
- rack guide pressure spring 5-5
  - rack, steering 5-5
  - radiator 13-3
  - radiator cap 13-3
  - radiator pipe 13-7
  - radiator pipe assembly 13-7
  - reamer, valve guide 14-9
  - receiver, rear 5-15
  - receptacle, accessory 6-15, 6-17
  - reed valve assembly 7-13
  - regulator, voltage 7-5
  - relay 6-11, 6-13
  - relay connector 6-11, 6-13
  - remover, bearing and oil seal 14-3
  - reservoir, brake fluid 4-7
  - reservoir, remote 4-7
  - restraint, head 1-45
  - retainer
    - spring (driven clutch) 11-11, 11-19
    - valve spring 8-45
  - retainer, valve spring 7-15
  - retaining ring pliers 14-9
  - retractor, seat belt 1-41
  - ring
    - piston 8-23, 8-53
    - snap 5-5
  - ring gear 8-25, 12-7, 12-21
  - ring, C-type stop 5-5
  - ring, retaining, ext 5-7
  - rivet, blind push 1-13, 1-39
  - rocker arm 7-15, 8-45
  - rocker arm guide 7-15
  - rocker arm stud 7-15
  - rocker cover 7-13
  - rocker cover gasket 7-13
  - rocker switch 6-15, 6-17
  - rocker switch (lights) 6-15, 6-17
  - rod
    - connecting 8-23
    - crank crank rod 8-23
    - prop 1-47
    - push 8-21
  - rod, push 7-15
  - roll cage 12-7
  - roller weight 11-9, 11-13
  - roller, torque 11-9, 11-13
  - ROPS front base weldment 1-13
  - ROPS kit 1-43
  - ROPS support tube 1-43
  - ROPS top 1-43
  - ROPS warning decal 3-3
  - ROPS weldment 1-43
  - rotor, brake 4-11, 12-19
  - rotor, oil pump 7-9
  - rotor, oil pump and 7-9
  - rubber bumper 1-57
- ## S
- safety first card 14-9
  - score card plate 1-39
  - screen, oil pickup 7-9
  - screw, valve clearance adjuster 14-9
  - seal
    - dual lip 12-13, 12-17, 12-21, 12-23, 12-27
    - heat 8-39
    - oil 8-11, 8-19, 12-7, 12-9

# INDEX

- oil valve 7-13
- steering pinion dust 5-5
- triple lip 12-13, 12-23
- valve stem 8-45, 8-51
- seal puller 14-9
- seal, carburetor 9-25
- seat
  - bucket 1-35
  - valve 8-11
- seat back, bench 1-33, 1-39
- seat belt retractor 1-41
- seat bottom 1-33, 1-39
- seat bottom, bench 1-33, 1-39
- seat holder base 1-35, 1-37
- seat, bucket 1-35, 1-37
  - bucket seat 1-37
- seatbelt buckle 1-41
- sending unit, fuel gauge 9-5, 9-9
- sensor, coolant lamp 13-11
- service kit, brake pad 4-3, 4-5, 4-21
- shaft
  - carburetor 9-25
  - CVT adapter 8-3
  - drive 12-11
  - fork lever 8-41
  - governor 7-7
  - governor lever 8-37
  - idle gear 8-21
  - input 12-25
  - intermediate 12-15, 12-25
  - oil pump 7-9
  - output 12-25
  - pinion 12-9
  - prop 12-11
  - rock arm 8-45
  - shift 12-17, 12-27
- shaft, prop 12-11
- sheave, drive clutch base 11-11
- sheave, driven clutch 11-11
- shield, breather 8-13
- shield, exhaust 10-9
- shield, governor 10-3
- shim 11-9, 11-13, 12-21
- shim, armature plate 12-7
- shim, injection pump 8-35
- shim, latch plate 1-47
- shock absorber 5-11, 5-13
- shock absorber, coil over 5-11, 5-13
- shroud, engine 7-3
- shroud, fan 13-3
- side panel 1-55
- side panel weldment 1-53
- skid plate 1-15, 1-17
- skidplate hardware kit 1-17
- skidplate kit 1-17
- slam latch 1-57
- sleeve
  - crankshaft 8-23
  - governor 8-27
  - link 5-13
  - lower arm 5-7
  - upper suspension 5-7
- slide adjuster 5-7
- slide pin 4-3, 4-5
- slide, adjuster 5-7
- slinger, oil 8-23
- snap ring 5-5
- solenoid, carburetor 9-25
- solenoid, stop 8-31
- spacer 1-17
  - engine 8-3
  - key switch 6-15, 6-17
- spacer block, differential 12-5
- spanner wrench 14-9
- spark plug 7-5
- speed plate 8-37
- spider 11-9, 11-13
- splash guard 1-13
- spray, battery terminal protector 14-3
- spring 7-9, 7-15
  - brake caliper return 4-5
  - brake return 4-15
  - carburetor 9-25
  - choke spring 9-13
  - compression 11-9, 11-11, 11-13
  - detent bullet 12-15, 12-25
  - exhaust 10-3
  - governor 7-7, 8-41
  - governor idle 9-13
  - governor return 7-7
  - idle apparatus 8-29
  - latch tilt 1-53
  - pedal 9-17, 9-19
  - pedal stop 9-17, 9-19
  - rack guide pressure 5-5
  - return 8-37
  - rocker arm 8-45
  - start 8-9, 8-41
  - torsion 9-17, 9-19
  - valve 7-15, 8-11, 8-45
- spring latch 1-57
- sprocket 12-13, 12-23
- start spring 8-41
- starter motor 8-43
- starter motor, engine 7-5
- stay
  - cylinder head 8-9
  - spring 8-11
  - stop solenoid 8-31
- steel bushing 1-49
- steering column 5-3
- steering column bearing press tool 14-9
- steering column bracket 1-13
- steering column cover 5-3
- steering column retaining ring tool 14-9
- steering gear housing 5-5
- steering pinion dust seal 5-5
- steering rack 5-5
- steering wheel 1-39, 5-3
- steering wheel puller tool 14-9
- stem, valve 2-3
- stop solenoid stay 8-31
- stopper, camshaft 8-21
- stopper, fuel camshaft 8-27
- strap, fuel tank 9-3, 9-7
- strip, FNR brush 1-19
- stud 8-3, 8-35, 8-49, 13-15
  - idle adjustment 8-29
  - self-clinching 1-53, 1-57
- stud, ball 12-3
- support yoke (steering) 5-5
- support, structural 1-19
- sway bar 5-13
- swingarm 5-15
- switch
  - indicator (transmission) 12-15, 12-25
  - key 6-15, 6-17
  - light rocker 6-15, 6-17
  - oil pressure 7-5, 8-5
  - switch, rocker 6-15, 6-17

## T

- tab, coolant pipe mounting 13-7
- tachometer 14-9
- tachometer probe, diesel 14-9
- tailgate 1-53, 1-57
- tailgate angle 1-53, 1-57
- tailgate latch wear plate 1-53
- taligate 1-53
- tank, fuel 9-5, 9-9
- tank, fuel (diesel) 9-9
- tank, fuel (gasoline) 9-5
- tape, double-sided 1-33
- tape, grip, accelerator pad 9-17, 9-19
- tape, vinyl foam 1-49, 13-3
- tappet 8-21
- tappet, push rod 7-15
- tee, coolant fill 13-3
- temperature indicator light, coolant 6-17
- tester, continuity 14-5
- tether 1-57
- thermometer, battery 14-3
- thermostat 13-11
- thread-forming grease fitting 5-15
- throttle shaft, carburetor 9-25
- throttle valve 9-25
- thrust button 12-7
- thrust plate 12-7

# INDEX

- tie rod end 5-5
  - tie wrap 1-51, 4-11, 4-15, 5-5, 9-13, 9-15, 12-3
  - tilt bed 1-49
  - tilt bed frame 1-49
  - tilt latch hand grip 1-49, 1-53
  - tire 2-3
  - tire assembly, black 2-3
  - tire, mud 2-3
  - tool
    - accelerator pedal adjustment 14-3
    - belt tensioning, starter/generator 14-11
    - brake adjustment 14-3
    - brake cable release 14-3
    - brake pedal adjustment 14-3
    - brake pedal tension 14-3
    - cam installation 14-3
    - carburetor float level 14-7
    - charger bezel 14-3
    - clutch alignment 14-5
    - cT-wrench 14-5
    - drive clutch fixed sheave 14-5
    - drive clutch holder 14-5
    - drive clutch spider removal 14-5
    - driven clutch spring compression base 14-5
    - driven clutch spring compression collar 14-5
    - driven clutch spring compression nut 14-5
    - governor shaft installation 14-7
    - puller, special use 14-9
    - steering column bearing press 14-9
    - steering column retaining ring 14-9
    - steering wheel puller 14-9
    - transaxle axle seal 14-9
    - transaxle pinion seal 14-9
    - transmission 14-9
    - valve guide driver 14-9
    - valve seat cutter 14-5
  - tool kit, clutch 14-5
  - torque converter 11-11
  - torque roller 11-9, 11-13
  - touch-up paint 14-7
  - track, prop rod 1-47
  - transaxle axle seal tool 14-9
  - transaxle housing 12-21
  - transaxle pinion seal tool 14-9
  - transmission cable bracket 8-3
  - transmission chain 12-13, 12-23
  - transmission fork 12-13, 12-23
  - transmission tool 14-9
  - transmission, diesel, parallel shaft 12-23
  - transmission, gasoline, parallel shaft 12-13
  - tube
    - axle 12-21
    - breather 8-13
    - carburetor air vent 9-3, 9-7
    - crankcase vent 9-11
    - fuel pickup 9-9
    - ROPS support 1-43
  - tube bumper kit 1-3
  - tune-up kit 14-9
  - turn signal light 1-7
  - T-wrench tool 14-5
- ## U
- upright 5-7
  - urethane bushing 1-49
- ## V
- valve 9-21, 9-23
    - breather 8-13
    - exhaust 8-45
    - fuel pickup tube 9-5
    - inlet 8-45
    - seat 8-11
  - valve assembly, reed 7-13
  - valve clearance adjuster screw 14-9
  - valve guide driver tool 14-9
  - valve guide reamer 14-9
  - valve seat cutter 14-5, 14-11
  - valve seat cutter guide 14-11
  - valve seat cutter tool 14-5
  - valve seat t-wrench 14-11
  - valve spring 7-15
  - valve spring compressor 14-11
  - valve spring retainer 7-15
  - valve stem 2-3
  - valve, carburetor 9-25
  - valve, exhaust 7-15
  - valve, float 9-25
  - valve, intake 7-15
  - valve, throttle 9-25
  - vent barb 9-3, 9-7
  - vent, housing, upper 12-21
  - vent, transmission 12-13, 12-23
  - volt ohm meter 14-11
  - voltage regulator 7-5
- ## W
- warning light, low oil 6-15, 6-17
  - water flange 13-11
  - water pump 13-13
  - wedge, bearing puller 14-3
  - weight clutch 11-9, 11-13
  - weldment
    - air cleaner support 9-21, 9-23
    - brake pedal 4-13
    - Forward/Reverse shifter 12-3
    - Forward/Reverse shifter bracket 12-3
    - front dash
      - dash weldment 1-13
    - lever, lost motion 9-19
    - receiver 5-15
    - tilt bed frame 1-49
  - weldment, air cleaner support 9-21, 9-23
  - weldment, brake pedal 4-13
  - weldment, Forward/Reverse shifter 12-3
  - weldment, Forward/Reverse shifter bracket 12-3
  - weldment, front dash
    - dash weldment 1-13
  - weldment, lever, lost motion 9-19
  - weldment, receiver 5-15
  - weldment, tilt bed frame 1-49
  - wheel 2-3
  - wheel, steering 1-39, 5-3
  - wire assembly 6-19, 6-21, 7-11, 9-5, 9-9
  - wire harness 1-5, 1-7, 6-5, 6-9, 7-5
  - wire harness, bed lift 1-51
  - wrap, tie 1-51, 4-11, 4-15, 5-5, 9-13, 9-15, 12-3
  - wrench, spanner 14-9
- ## Y
- yoke, gear 14-7
  - yoke, support (steering) 5-5









**Club Car, Inc.**  
P.O. Box 204658  
Augusta, GA 30917-4658  
USA

**Web** [www.clubcar.com](http://www.clubcar.com)  
**Phone** 1.706.863.3000  
1.800.ClubCar  
**Int'l** +1 706.863.3000  
**Fax** 1.706.863.5808