



**2015  
Precedent  
Illustrated Parts List**



**Gasoline Vehicle with Subaru EX40 Engine  
Electric Vehicle with ERIC Charging System  
Gasoline Vehicle with Kawasaki FE350 Engine**

Manual Number 105157101  
Edition Code 0714A00000



# USING THE ILLUSTRATED PARTS LIST

---

## **⚠ WARNING**

- **This manual is to be used only for identification and ordering of service parts. Be sure to read and use the maintenance and service manual before attempting any vehicle repairs.**

This manual covers all 2015 Club Car Precedent vehicles.

The manual is divided into sections. Note that there are two or three flags on the outside edge of each page. The first flag contains the section number of which that page is a part. The other flag (or flags) contains the letter D, E, or G, signifying that the page pertains to diesel, electric, or gasoline vehicles.

Use the Table of Contents to find the sections and pages that contain the parts and assemblies you seek. The Table of Contents lists section numbers, and under them, the individual page titles and numbers to be found in that section. The index can be used to find specific parts and assemblies. The index is divided into numerical and alphabetical listings with the page numbers in italic text.

There is a two-page spread for each individual page title in the Table of Contents. On the left-hand page is an illustration showing the parts in their relative positions; the parts are each tagged with an item number in a balloon. The right-hand page is the parts list page, and gives the page title at the top, then the item numbers (corresponding to the numbers on the illustration), part descriptions, and quantity of parts used. Some item numbers have more than one part number because several configurations of a component are represented together on one spread.

Note that a part description may be indented. This indentation corresponds to a parts assembly level indicated by the numbers 1, 2, 3, and 4 at the top left corner of the parts description area of the parts list page. A part that is indented to *level 2* is a component of the *level 1* part (assembly) that it is listed under. A *level 3* part is a component of the *level 2* part that it is listed under, and a *level 4* part is a component of the *level 3* part preceding it. In each case, the part quantity given for a level 2, 3, or 4 part *is the quantity used per next higher level assembly of which it is a component*. A part that is not indented is a *level 1* part. This means that the quantity given is the quantity used per the portion of the vehicle illustrated on that particular spread.

## HOW TO ORDER PARTS

Replacement parts and accessories can be obtained from our network of authorized dealers and distributors. You can obtain the name and phone number of your closest authorized Club Car dealer or distributor by visiting our web site at [www.clubcar.com](http://www.clubcar.com) and clicking on the "Distributor Search" link or by calling our toll-free Service Parts and Technical Assistance hotline at (800) 872-2246 or (706) 863-3000, extension 3887.



P. O. Box 204658  
Augusta, Georgia 30917-4658 USA  
Telephone 706-863-3000  
Service Parts Fax 706-855-7413  
[www.clubcar.com](http://www.clubcar.com)

**NOTE:** *This illustrated parts list represents the most current information at the time of publication. Club Car, LLC. is continually working to further improve its vehicles and other products. These improvements may affect the parts used to service the vehicle. Any modification and/or significant change in specifications will be forwarded to all Club Car and Carryall distributors/dealers and will, when applicable, appear in future editions of this illustrated parts list.*

*Club Car, LLC. reserves the right to change specifications and designs at any time without notice and without the obligation of making changes to units previously sold.*

Copyright © 2014 Club Car, LLC  
*Club Car, Precedent, and Surlyn*  
are registered trademarks of Club Car, LLC  
This manual effective July 14, 2014.

*2015 Precedent Illustrated Parts List*

# CONTENTS

---

## SECTION 1 – BODY AND TRIM

---

Frame .....	1-3
Front Bumper .....	1-5
Front Body .....	1-7
Underbody Covers (Vehicle Without Canopy) .....	1-9
Dash .....	1-11
Floor Mat, Retainers, and Front Underbody .....	1-13
Kick Plate – Subaru EX40 Gas Vehicle .....	1-15
Kick Plate – Kaw. FE350 Gas Vehicle .....	1-17
Kick Plate – Electric Vehicle .....	1-19
Seat Bottom with Hip Restraints .....	1-21
Backrest and Structural Accessory Module (SAM) .....	1-23
Rear Body .....	1-25
Club and Ball Cleaner Kit .....	1-27
Sand Bottle Kits .....	1-29
Sand Bucket Kits .....	1-31
Canopy – White .....	1-33
Canopy – Beige .....	1-35
Canopy – Black .....	1-37
Canopy Struts .....	1-39
Visage Canopy Struts and Console .....	1-41
Four-Passenger Monsoon Canopy .....	1-43
Four-Passenger Monsoon Canopy Struts .....	1-45
Rear Seat – Precedent Villager 4 .....	1-47
Rear Footrest Assembly, Precedent Villager 4 .....	1-49
Four Passenger Conversion Kit, Monsoon – Beige .....	1-51
Four Passenger Conversion Kit, Monsoon – White .....	1-53
Four Passenger Conversion Kit, Monsoon – Gray .....	1-55

---

## SECTION 2 – WHEELS AND TIRES

---

Wheels and Tires, i2 and Signature .....	2-3
Wheels and Tires – i2L and i2L2 .....	2-5

---

## SECTION 3 – DECALS

---

Decals – Kaw. FE350 Gas Vehicle, Page 1 of 1 .....	3-3
Decals – Subaru EX40 Gas Vehicle, Page 1 of 3 .....	3-5
Decals – Subaru EX40 Gas Vehicle, Page 2 of 3 .....	3-7
Decals – Subaru EX40 Gas Vehicle, Page 3 of 3 .....	3-9

# CONTENTS

---

Decals – Electric Vehicle, Page 1 of 2 .....	3-11
Decals – Electric Vehicle, Page 2 of 2 .....	3-13
Decal – Precedent Villager 4 .....	3-15

## SECTION 4 – LIGHTS, CONTROLS AND INDICATORS

---

Headlights Only – Precedent .....	4-3
Headlights Only (CE) – Precedent .....	4-5
Headlights, Horn and Taillights – Precedent .....	4-7
Headlights, Horn and Taillights (CE) – Precedent .....	4-9
Instrument Panel – Electric Vehicle with ERIC Charger .....	4-11
Instrument Panel – Kaw. FE350 Gas Vehicle .....	4-13
Instrument Panel – Subaru EX40 Gas Vehicle .....	4-15
DC Converter (Standard) – Electric Vehicle .....	4-17
DC Converter (CE) – Electric Vehicle .....	4-19

## SECTION 5 – BRAKES AND PEDAL GROUP ASSEMBLIES

---

Rear Brake Assembly, Self-Adjusting .....	5-3
Brake Cables and Equalizer Bracket .....	5-5
Pedal Group with Sensor – Gasoline Vehicle .....	5-7
Pedal Group w/o Sensor, Gasoline Vehicle .....	5-9
Pedal Group w/o MCOR – Electric Vehicle .....	5-11
Pedal Group with MCOR – Electric Vehicle .....	5-13

## SECTION 6 – STEERING, FRONT AND REAR SUSPENSION

---

Steering Wheel, Comfort Grip .....	6-3
Steering Wheel .....	6-5
Steering Column .....	6-7
Steering Gear Assembly .....	6-9
Front Suspension, Upper .....	6-11
Front Suspension, Lower .....	6-13
Rear Suspension, Gasoline Vehicle .....	6-15
Rear Suspension, Electric Vehicle .....	6-17
Rear Suspension, Precedent Villager 4 .....	6-19

## SECTION 7 – ELECTRICAL SYSTEM – KAW. FE350

---

Accelerator Pedal Assembly w/Sensor – Kaw. FE350 .....	7-3
Instrument Panel Wire Harness – Kaw. FE350 .....	7-7
Forward/Reverse Shifter Assembly – Kaw. FE350 .....	7-9

# CONTENTS

---

Wiring – Kaw. FE350 Gasoline Vehicle .....	7-13
Starter/Generator (S/G) Assembly – Kaw. FE350 .....	7-15
Starter/Generator Mounting – Kaw. FE350 .....	7-17
Battery – Kaw. FE350 Gasoline Vehicle .....	7-19

## SECTION 8 – ELECTRICAL SYSTEM – SUBARU EX40

---

Accelerator Pedal Assembly w/Sensor – EFI .....	8-3
Wiring, Fuses and ECU – EFI .....	8-5
STARTER/GENERATOR (MODEL 114-05-4001), PEDAL-START – EFI .....	8-7
Starter/Generator Mounting – EX40 .....	8-9
Battery, Solenoid, Voltage Regulator – EFI .....	8-11
Operation and Maintenance Switch .....	8-13
Forward/Reverse Shifter Switches – EFI .....	8-15

## SECTION 9 – ENGINE – KAWASAKI FE350

---

Tune-Up Kit – Kawasaki FE350 .....	9-3
FE350 Engine (AS26) – Shrouds and Brackets .....	9-5
FE350 Engine (AS26)- Ignition Components and Flywheel .....	9-7
FE350 Engine (AS26)- Oil Circulation .....	9-9
FE350 Engine (AS26)- Cylinder Head .....	9-11
FE350 Engine (AS26)- Crankcase, Camshaft, and Oil Sensor .....	9-13
FE350 Engine (AS26)- Crankcase and Crankshaft .....	9-15
FE350 Engine (AS26)- Mounting .....	9-17

## SECTION 10 – ENGINE – SUBARU EX40

---

Tune-Up Parts – Subaru EX40 .....	10-3
Engine and Engine Mounting, Precedent – EX40 .....	10-5
Fan and Shroud – EX40 .....	10-7
Air Deflector – EX40 .....	10-9
Ignition Components and Flywheel – EX40 .....	10-11
Sensors – EX40 .....	10-13
Cylinder Head – EX40 .....	10-15
Valvetrain and Timing Chain – EX40 .....	10-17
Crankcase – EX40 .....	10-19
Crankshaft and Piston – EX40 .....	10-21

## SECTION 11 – FUEL SYSTEM – KAW. FE350

---

Fuel System – Kaw. FE350 .....	11-3
--------------------------------	------

# CONTENTS

---

Carbon Canister – Kaw. FE350 .....	11-5
Carburetor Assembly – Kaw. FE350 .....	11-7
Carburetor Installation – Kaw. FE350 .....	11-9
Governor and Accelerator Cables – Kaw. FE350 .....	11-11
Choke and Air Box Assembly – Kaw. FE350 .....	11-13

## **SECTION 12 – FUEL SYSTEM, EFI – SUBARU EX40**

---

Fuel System w/o Sending Unit – EFI .....	12-3
Fuel System with Sending Unit – EFI .....	12-5
Carbon Canister – EFI .....	12-7
Throttle Body and ECU – EFI .....	12-9
Throttle Body Mounting – EFI .....	12-11
Governor and Accelerator Cables – EFI .....	12-13
Air Filter System and Intake Hose – EFI .....	12-15

## **SECTION 13 – EXHAUST SYSTEM – KAW. FE350**

---

Exhaust System – FE350 .....	13-3
------------------------------	------

## **SECTION 14 – EXHAUST SYSTEM, GOLF – SUBARU EX40**

---

Exhaust System, Golf – Subaru EX40 .....	14-3
--	------

## **SECTION 15 – DRIVE BELT AND CLUTCHES – KAW. FE350**

---

Drive Clutch – Kaw. FE350 .....	15-3
Driven Clutch – Kaw. FE350 .....	15-5

## **SECTION 16 – DRIVE BELT AND CLUTCHES – SUBARU EX40**

---

Drive Belt – Pedal-Start Vehicles with EFI .....	16-3
Drive Clutch – Pedal-Start Vehicles with EFI .....	16-5
Driven Clutch – All Gasoline Vehicles with EFI .....	16-7

## **SECTION 17 – UNITIZED TRANSAXLE, GRAZIANO (FOR KAW. FE350)**

---

Graziano Transaxle – Gear Cases and Levers .....	17-3
Graziano Transaxle – F&R Transmission and Gear Reduction .....	17-5
Graziano Transaxle -Differential and Axles .....	17-7

## **SECTION 18 – TRANSAXLE, FUJI ED65 (FOR SUBARU EX40)**

---

Forward/Reverse Shifter Assembly – EFI .....	18-3
--	------



# CONTENTS

---

Shifter Cable – CA100, XRT800, Precedent .....	18-5
Shift Lever and Bracket – Pedal-Start Engines .....	18-7
Governor Arm and Brackets – Precedent .....	18-9
Transaxle (ED65), Open – Page 1 of 3 .....	18-11
Transaxle (ED65), Limited Slip and Open – Page 2 of 3 .....	18-13
Transaxle (ED65), Open – Page 3 of 3 .....	18-15
Hub, Rear .....	18-17

## SECTION 19 – ELECTRICAL SYSTEM – EXCEL WITH HIGH FREQUENCY CHARGERS

---

Motor Controller Output Regulator (MCOR) .....	19-3
Wiring and Fuses .....	19-5
Forward/Reverse Switch and Tow/Run Switch .....	19-7
Batteries and Battery Bucket, PD+ 8-Volt .....	19-9
Batteries and Battery Bucket, PD+ 8-Volt, CE .....	19-11
Single Point Watering System, 8V .....	19-13
Hand Pump and Deionizer (Battery-Powered Quality Light) .....	19-15
Controller and Solenoid .....	19-17
Ferrite Beads, CE .....	19-19

## SECTION 20 – ELECTRIC MOTOR

---

Motor (Model EJ8-4001A) – Electric Vehicle .....	20-3
--	------

## SECTION 21 – TRANSAXLE – ELECTRIC VEHICLES

---

Transaxle – Electric Vehicles .....	21-3
-------------------------------------	------

## SECTION 22 – BATTERY CHARGERS – HIGH-FREQUENCY

---

Battery Charger, High-Frequency – U.S./Canada .....	22-3
Battery Charger, High-Freq., 2.74 m DC Cord – Global .....	22-5
Battery Charger, High-Freq., 3.66 m DC Cord – Global .....	22-7
Battery Charger, High-Freq., 6.1 m DC Cord – Global .....	22-9
Cords – Battery Charger, High-Frequency .....	22-11
Battery Charger, High-Frequency – Onboard .....	22-13

## SECTION 23 – MAINTENANCE AND SERVICE TOOLS

---

Maintenance and Service Tools .....	23-3
Maintenance and Service Tools, Continued .....	23-5
Maintenance and Service Tools, Continued .....	23-7

**SECTION i – INDEX**

---

# BODY AND TRIM

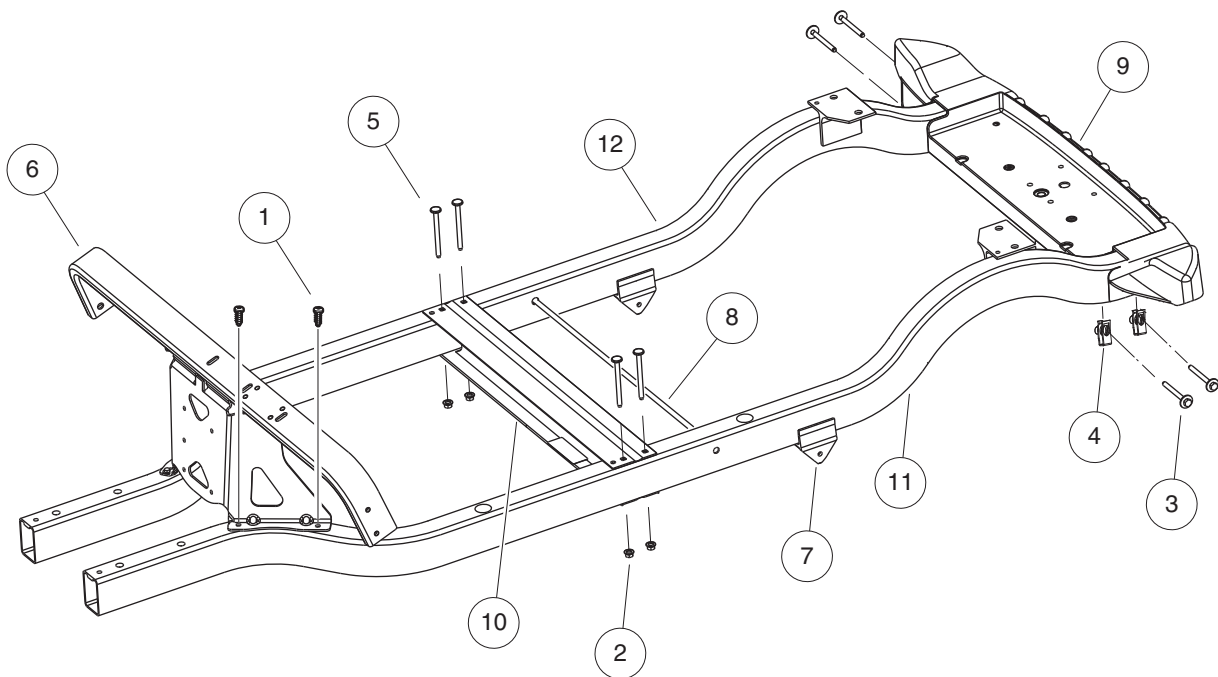
---

1

G

E

**1**  
**G**  
**E**



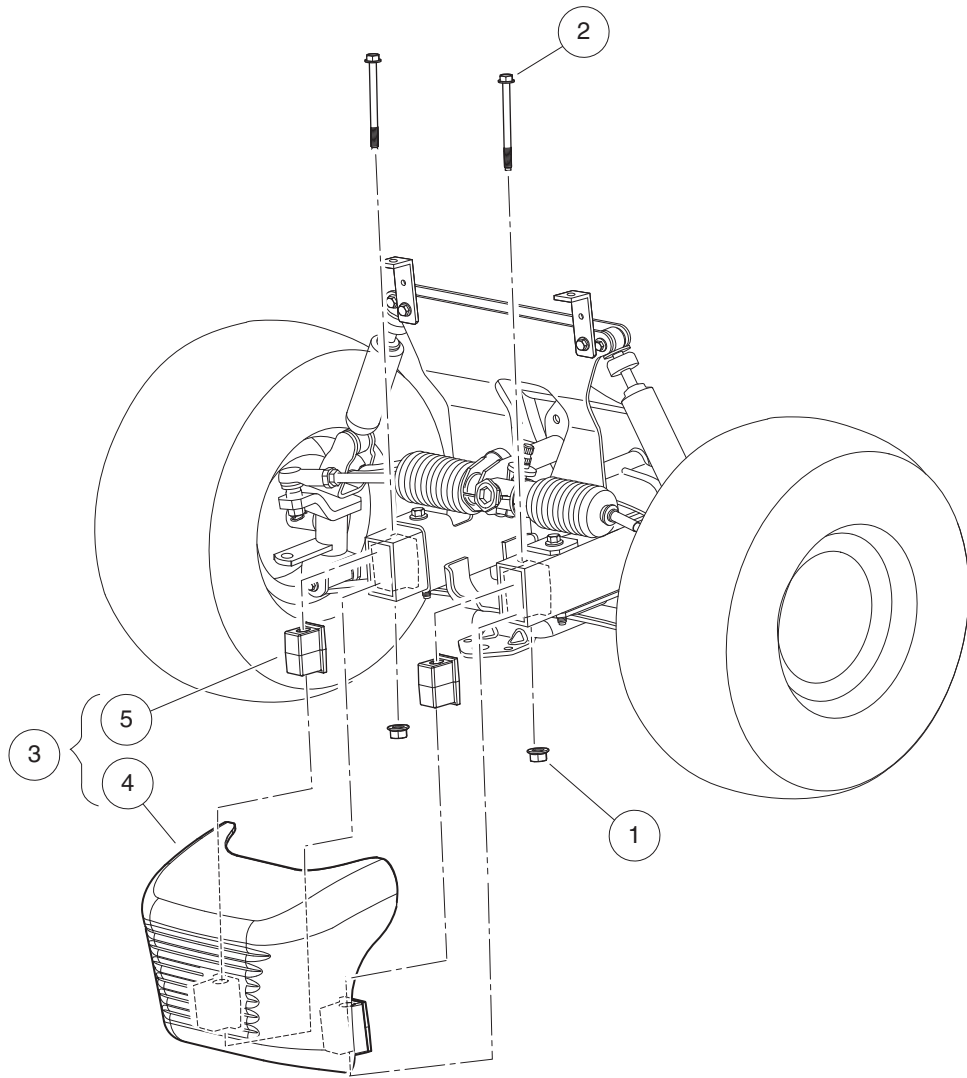
000436-009

# FRAME

ITEM	PART NO.	DESCRIPTION	QTY
		<b>1 2 3 4</b>	
1	102292101	Screw-5/16 X 1.5 Tek .....	4
2	102298401	Nut,m8,all Metal Lock .....	4
3	102298580	M8-1.25 X 80 Sems .....	4
4	102298601	J-clip - M8 X 1.25 .....	4
5	102298995	Bolt, Wafer Head, M8-1.25x95 .....	4
6	102505701	Assembly, Dash Support .....	1
7	102507801	Hanger, Spring .....	2
8	103638901	Rod, .5 Od X 26.26 .....	1
9	103926601	Crossmember, rear .....	1
10	103975901	I Beam, Cross Car .....	1
11	103990501	Weldment, Frame, Prec, Lh .....	1
12	103990601	Weldment, Frame, Prec, Rh .....	1

**1**  
**G**  
**E**

**1**  
**G**  
**E**



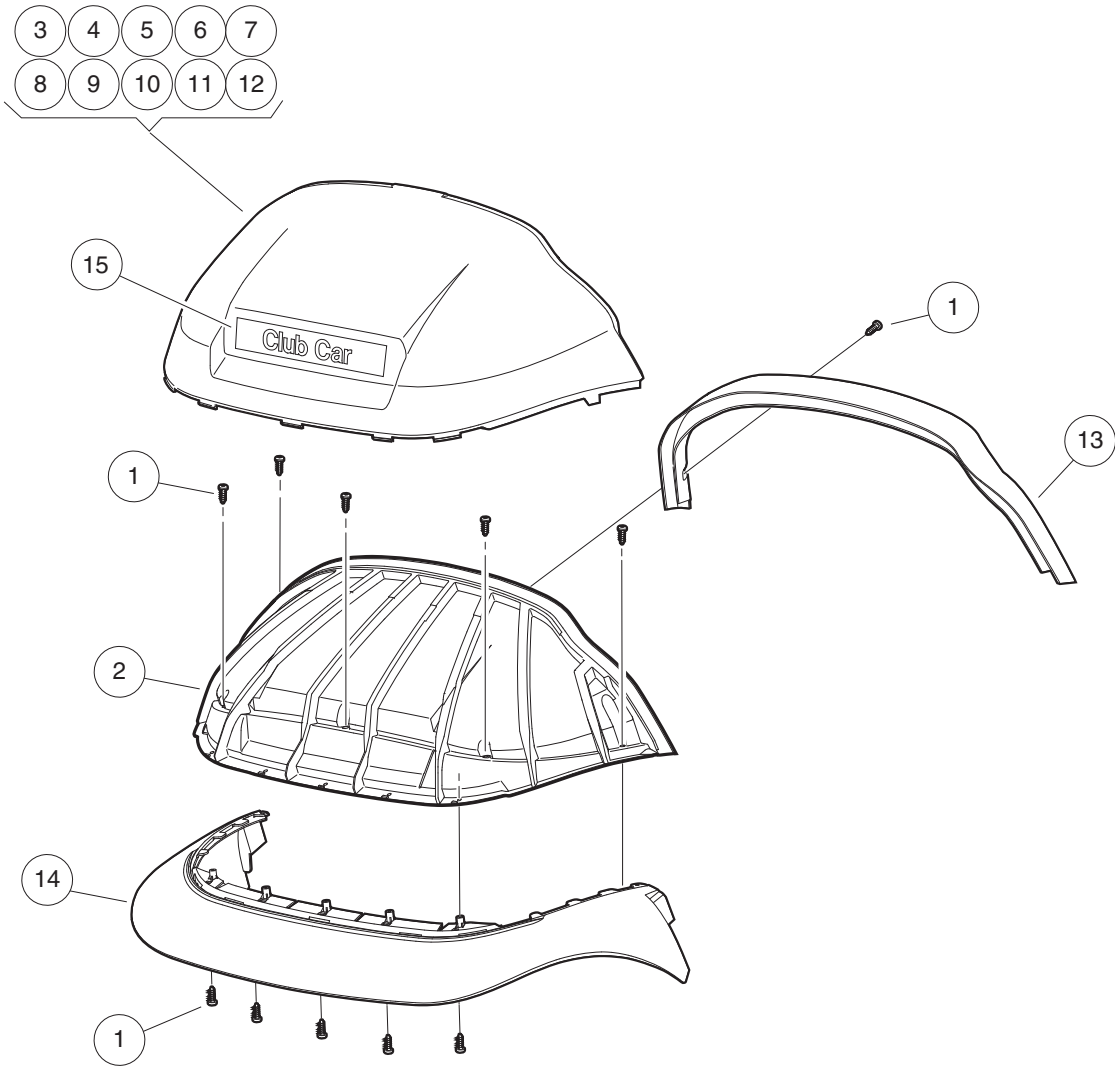
000437-003

# FRONT BUMPER

ITEM	PART NO.	DESCRIPTION	QTY
		<b>1 2 3 4</b>	
1	102298401	Nut,m8,all Metal Lock .....	2
2	102534201	Bolt - Fl Hd, M8 X 95 .....	2
3	103330601	Asm, Bumper, Front, Precedent (includes items 4 and 5) .....	1
4	N/A	Bumper, Front, Precedent .....	1
5	103325001	Plug, Shock, Precedent Bumper .....	2

**1**  
**G**  
**E**

**1**  
**G**  
**E**



000434-005

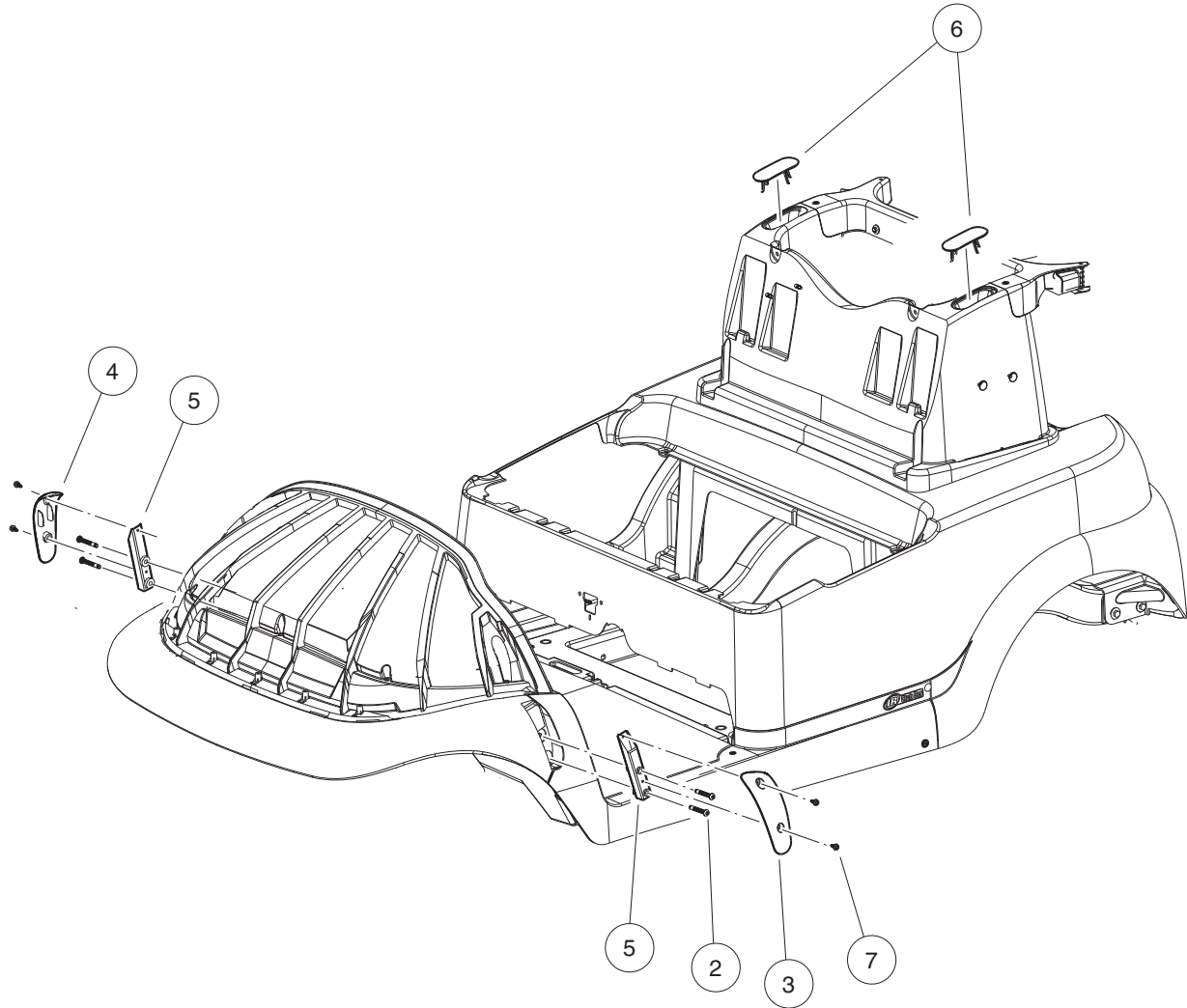


# FRONT BODY

ITEM	PART NO.	DESCRIPTION	QTY
		<b>1 2 3 4</b>	
1	102296020	Screw, Torx Pan Hd Pt, M6 X 20 .....	14
2	102501501	Brow .....	1
3	102502401	Panel, Beauty Front, White .....	1
4	102502402	Panel, Beauty Front, Beige .....	1
5	102502404	Panel, Beauty Front, Gray .....	1
6	102502405	Panel, Beauty Front, Red .....	1
7	102502406	Panel, Beauty Front, Burgundy .....	1
8	102502407	Panel, Beauty Front, Green .....	1
9	102502408	Panel, Beauty Front, Blue .....	1
10	102502409	Panel, Beauty Front, Black .....	1
11	102502411	Panel, Beauty, Front, Cayenne .....	1
12	102502413	Panel-beauty Front, Atlantic .....	1
13	102502501	Brow Cap .....	1
14	102534404	Fascia, Blk .....	1
15	103816601	Nameplate -cc .....	1

1  
G  
E

**1**  
**G**  
**E**



000730-003

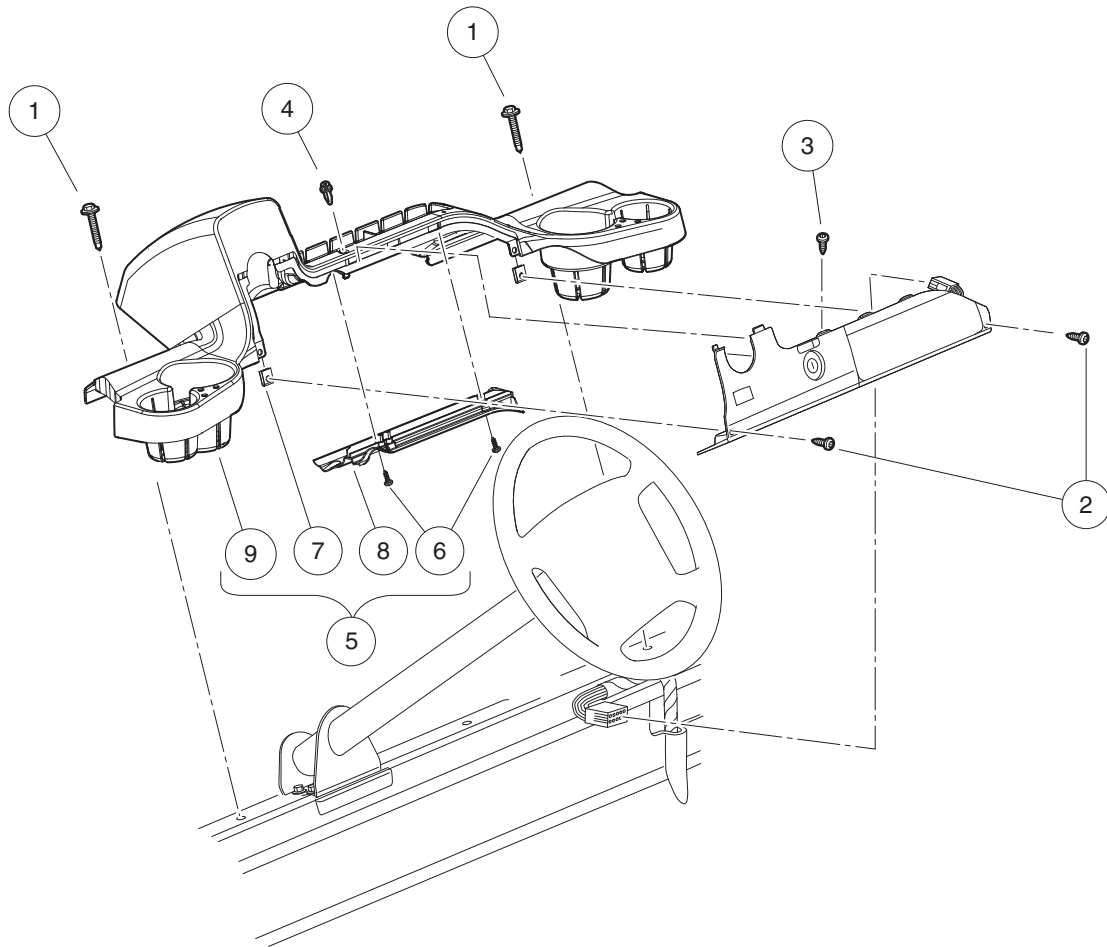
# UNDERBODY COVERS (VEHICLE WITHOUT CANOPY)

ITEM	PART NO.	DESCRIPTION	QTY
		<b>1 2 3 4</b>	
1	102543902	Kit, Underbody Cover, Black (includes items 2 through 7) .....	1
2	102299065	M8-1.25 X 65 Tx Bttn Hd Bolt .....	4
3	102400202	Cover, Lh Non-canopy, Blk .....	1
4	102400302	Cover, Rh Non-canopy, Blk .....	1
5	N/A	Support, Strut Cover .....	2
6	N/A	SAM Cap .....	2
7	102544201	Screw, M6 Hex .....	4

**1**

**G**

**E**



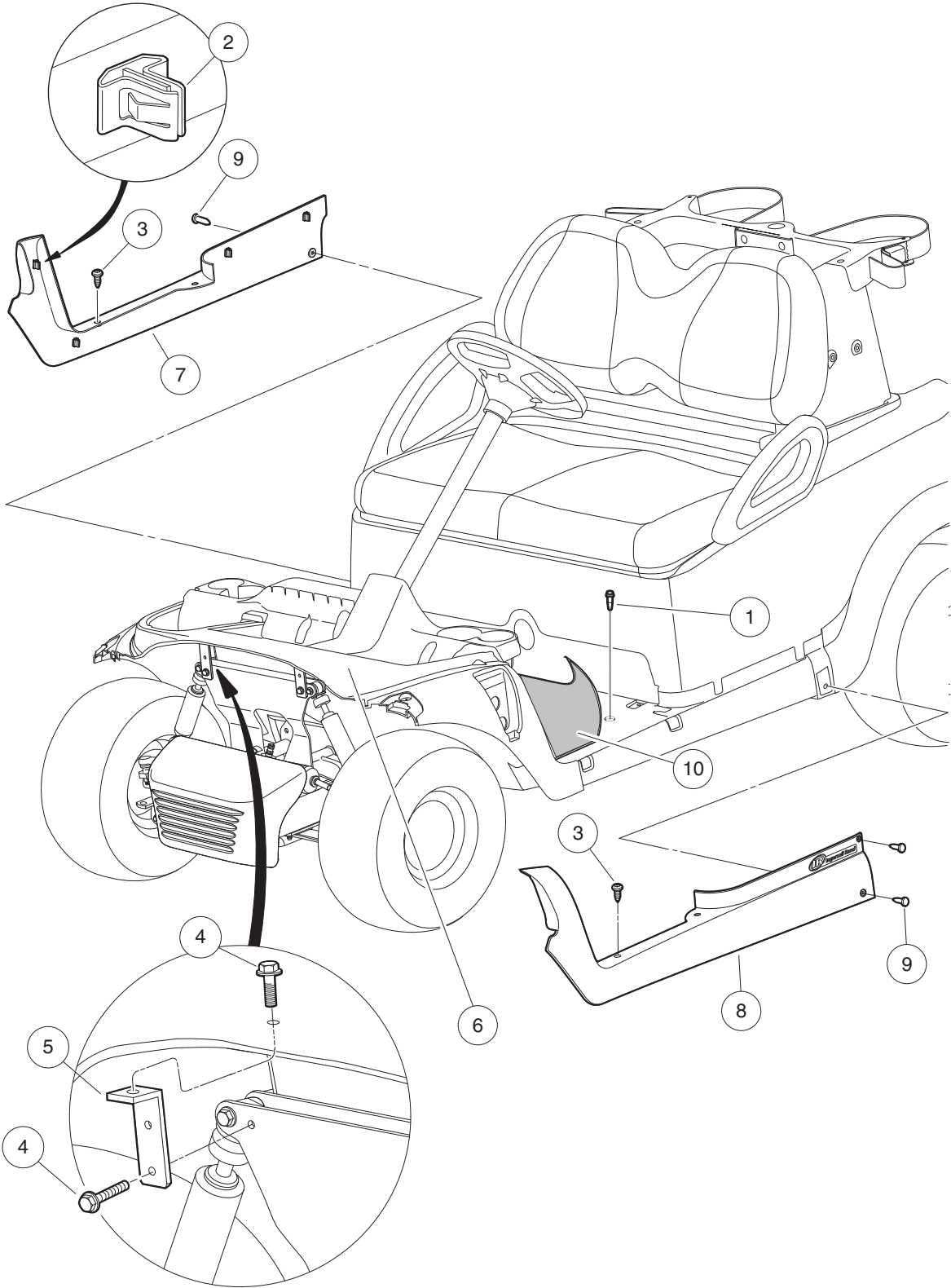
000438-003

# DASH

ITEM	PART NO.	DESCRIPTION	QTY
		<b>1 2 3 4</b>	
1	102292356	Screw-1/4-20x56 Hwh Self Drill .....	2
2	102296819	Screw-M6 x 19 .....	2
3	102557201	Screw, #6-20 Type Abx1.00 Pan .....	1
4	102915601	Plastic Rivet - Tuflock .....	1
5	103402701	Dash Assembly, Prec (includes items 6 through 9) .....	1
6	N/A	Screw-torx Pan Hd Pt,m6 X 16 .....	2
7	102297001	U-nut, 1/4" Type Ab .....	2
8	N/A	Drain Channel - Dash .....	1
9	N/A	Dash, Prec .....	1

**1**  
**G**  
**E**

**1**  
**G**  
**E**



000497-007

# FLOOR MAT, RETAINERS, AND FRONT UNDERBODY

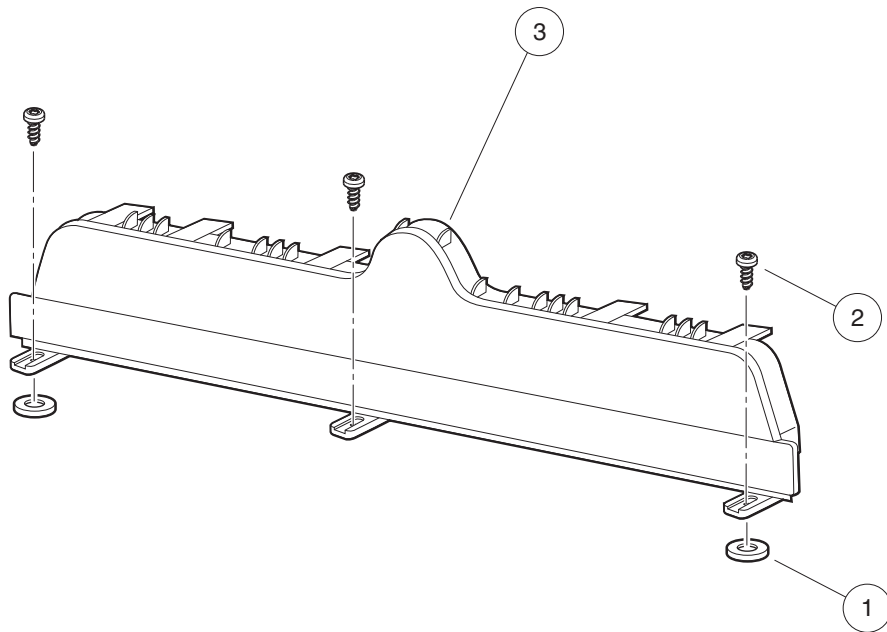
ITEM	PART NO.	DESCRIPTION	QTY
		1 2 3 4	
1	102292356	Screw-1/4-20x56 Hwh Self Drill .....	3
2	102292701	Clip-body-trim .....	8
3	102298020	Screw, K80x20, Torx Pn Hd Pt .....	4
4	102298716	M8-1.25x16 Taptite .....	4
5	102521901	Bracket-clamshell .....	2
6	103635201	Underbody, Front, One Piece .....	1
7	103678001	Floormat Retainer Asm, Rh, Blk .....	1
8	103678101	Floormat Retainer Asm, Lh, Blk .....	1
9	103683001	Barrel Fastner, Blk, Firm .....	4
10	103926401	Floormat, Precedent .....	1
		Note: Item 6 is a special order item available upon request.	

**1**  
**G**  
**E**

1

G

E



001059-001



# KICK PLATE – SUBARU EX40 GAS VEHICLE

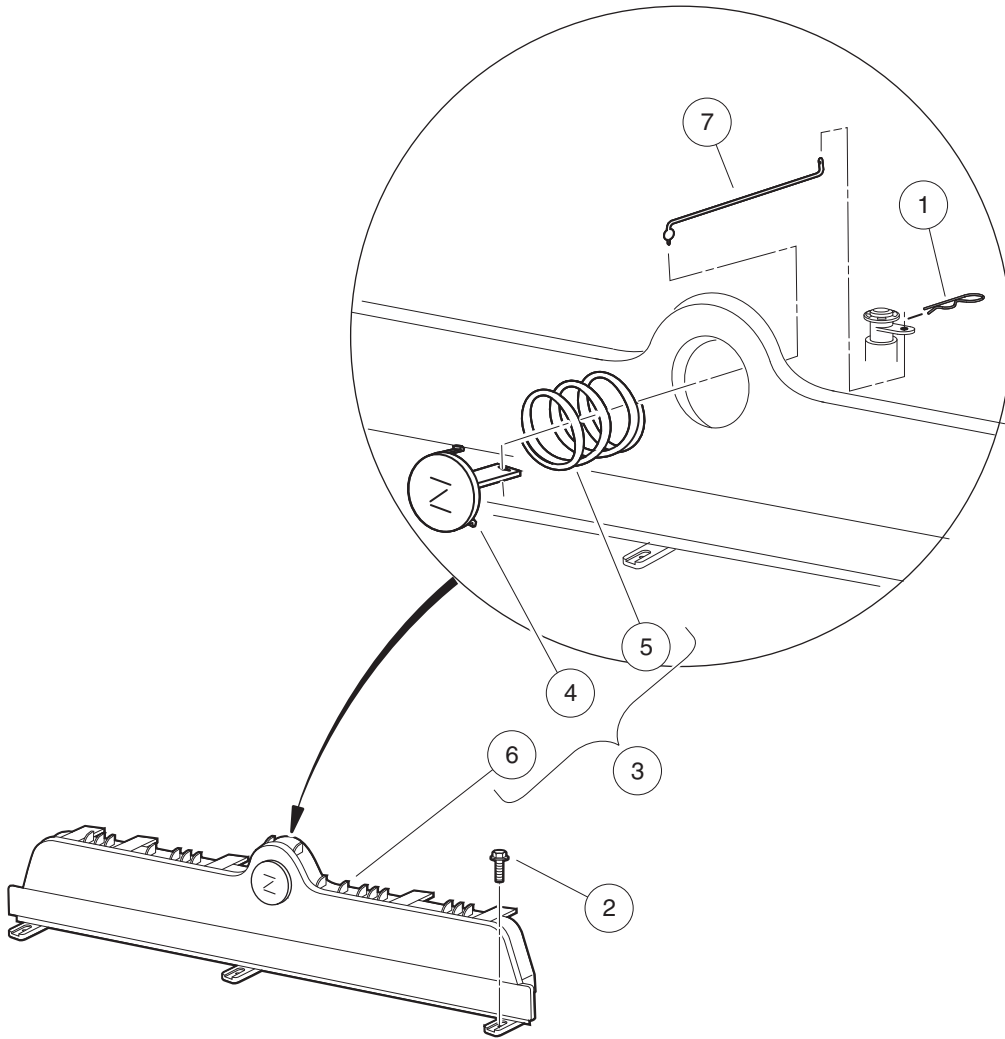
ITEM	PART NO.	DESCRIPTION	QTY
		1 2 3 4	
1	1012571	Washer, 5/16 Extra Thick Flat .....	2
2	102298020	Screw, K80x20, Torx Pn Hd Pt .....	3
3	105005402	Plate, Kick, Black, Gas EFI .....	1

1

G

E

**1**  
**G**  
**E**



000501-003

# KICK PLATE – KAW. FE350 GAS VEHICLE

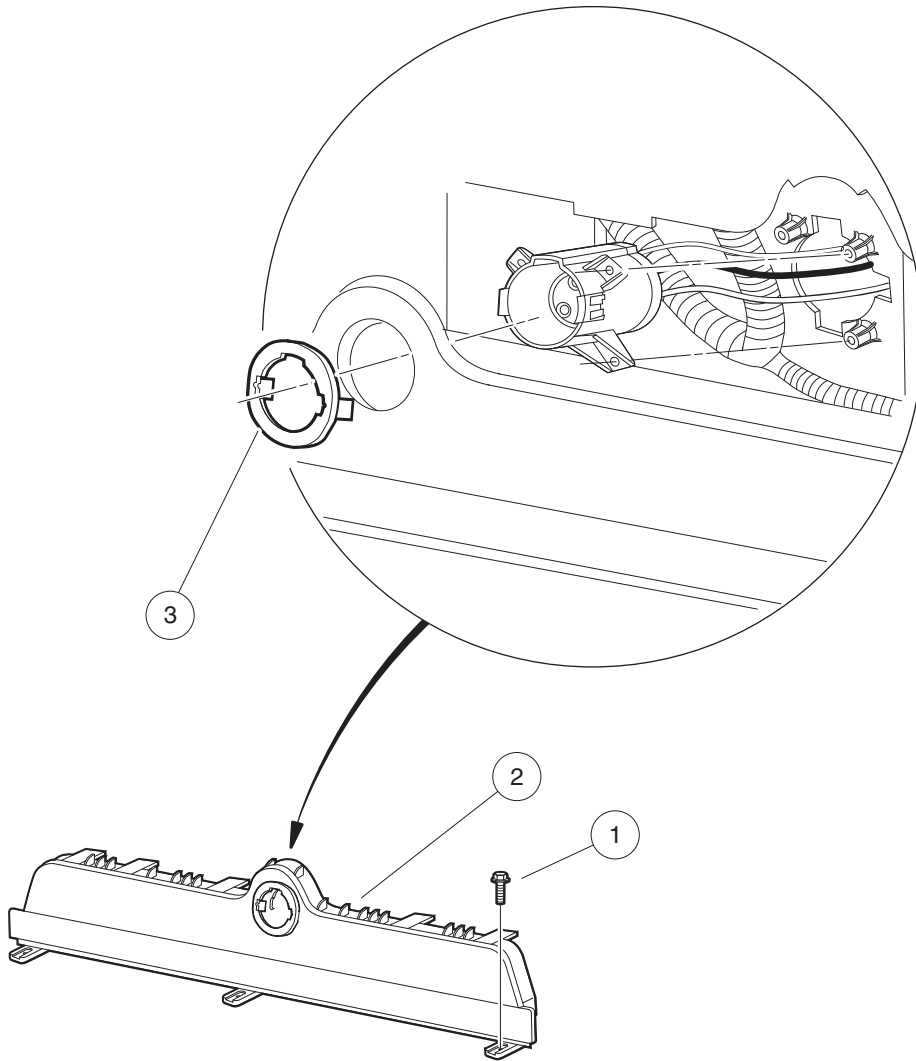
ITEM	PART NO.	DESCRIPTION	QTY
		<b>1 2 3 4</b>	
1	1014413	Pin, Hair Spring Cotter .....	1
2	102298030	Screw, K80x30, Torx Pn Hd Pt .....	3
3	102511702	Asm-gas Kick Plate, Blk (includes items 4 through 6) .....	1
4	101811401	Lever, Choke .....	1
5	101856201	Compression Spring .....	1
6	N/A	Plate - Gas Kick, Blk .....	1
7	102514401	Rod, Choke Button .....	1

1  
G  
E

1

G

E



000500-003

# KICK PLATE – ELECTRIC VEHICLE

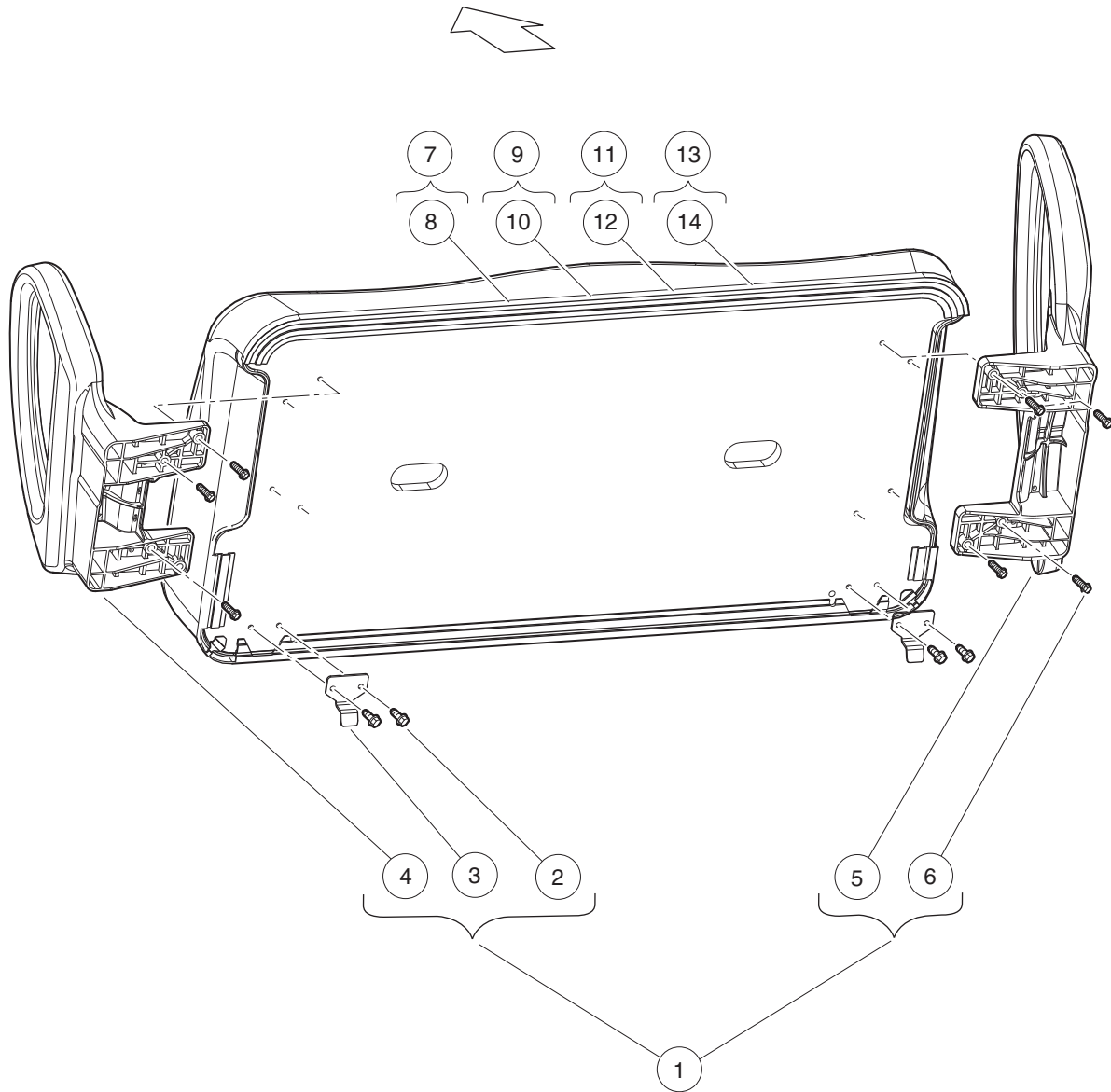
ITEM	PART NO.	DESCRIPTION	QTY
		1 2 3 4	
1	102298030	Screw, K80x30, Torx Pn Hd Pt .....	3
2	102508202	Plate - Electric Kick Blk .....	1
3	102516901	Socket Trim .....	1

**1**

**G**

**E**

**1**  
**G**  
**E**



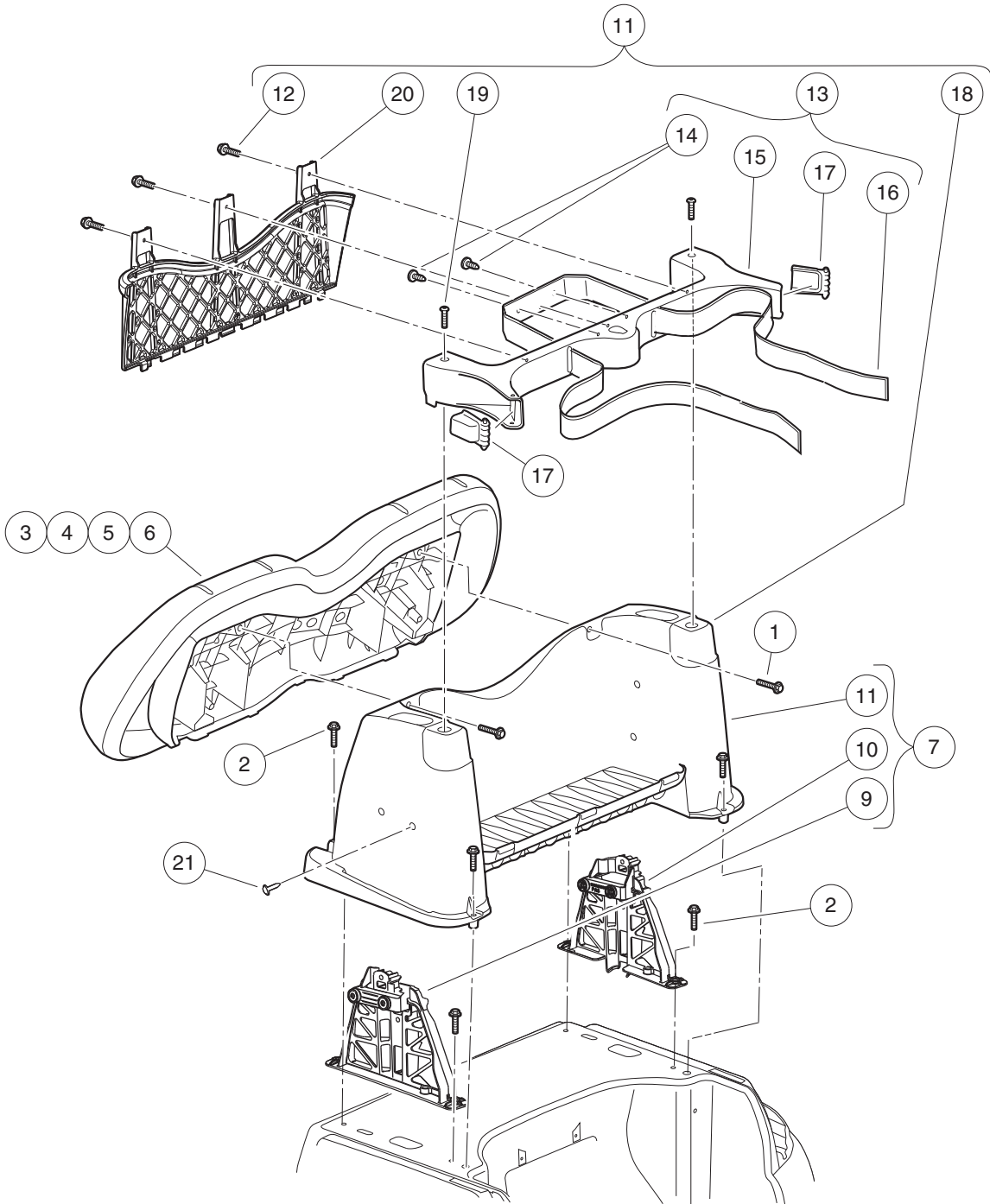
000440-006

# SEAT BOTTOM WITH HIP RESTRAINTS

ITEM	PART NO.	DESCRIPTION	QTY
		<b>1 2 3 4</b>	
1	103833901	Kit, Prec, Seat Botm (includes items 2 through 6) .....	1
2	101954301	Screw, 1/4-20 X 0.75 Hex-Head Cap .....	4
3	103832901	Hinge, Seat Bottom .....	2
4	103833601	Hip Restraint, Drv .....	1
5	103833701	Hip Restraint, Pas .....	1
6	103833801	1/4-20 X 1.5 Hex Flg Patch .....	8
7	104023421	Service, Asm, Beige, Seat Btm (includes item 8) .....	1
8	101998501	Gasket, Seat .....	1
9	104023422	Service, Asm, White, Seat Btm (includes item 10) .....	1
10	101998501	Gasket, Seat .....	1
11	104023424	Service, Asm, Gray, Seat Btm (includes item 12) .....	1
12	101998501	Gasket, Seat .....	1
13	104023425	Service, Asm, Black, Seat Btm (includes item 14) .....	1
14	101998501	Gasket, Seat .....	1

**1**  
**G**  
**E**

**1**  
**G**  
**E**



000435-010

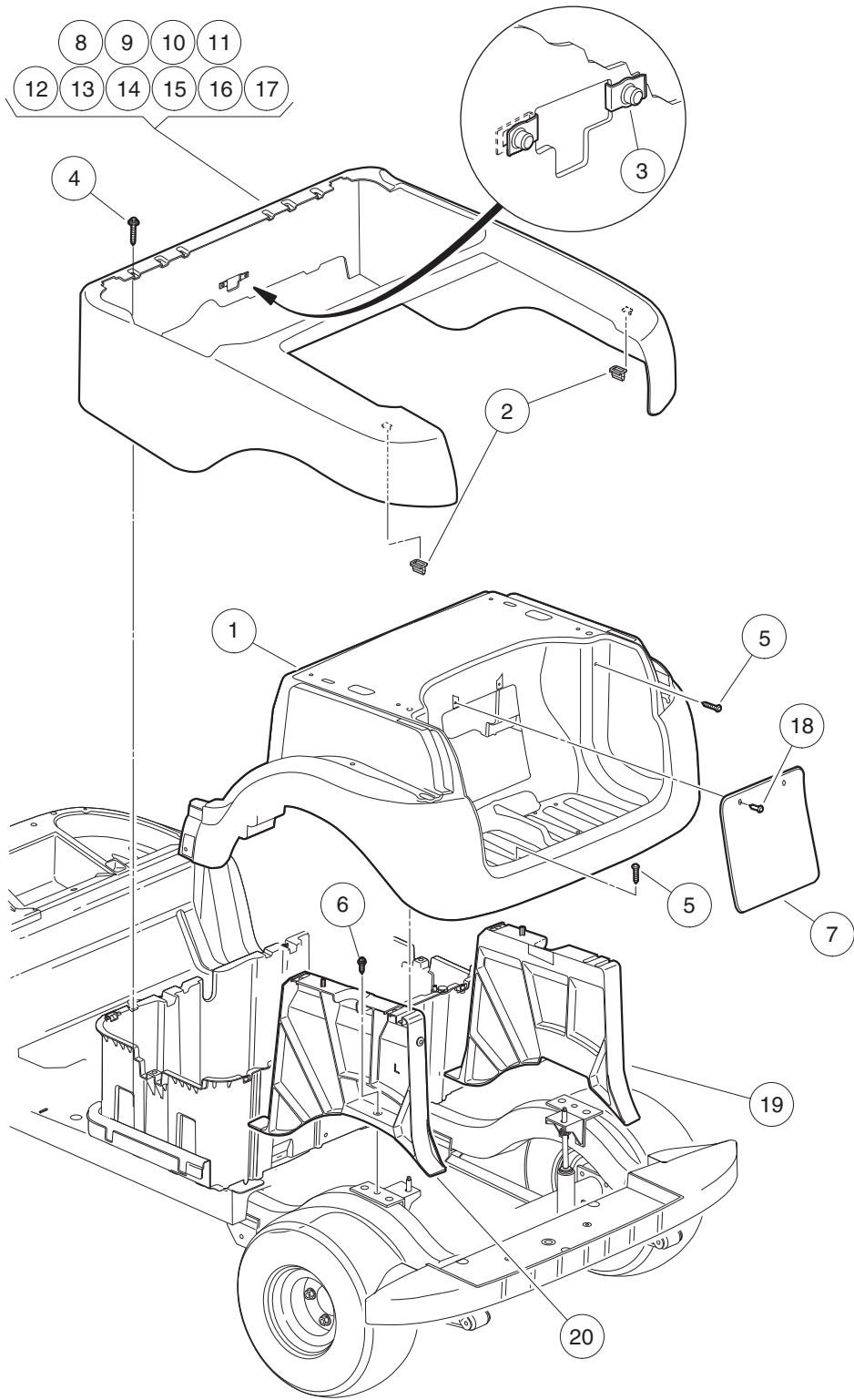


# BACKREST AND STRUCTURAL ACCESSORY MODULE (SAM)

ITEM	PART NO.	DESCRIPTION	QTY
		1 2 3 4	
1	102296530	Screw - M6 X 1.0 X 30 Sems .....	2
2	102298240	Bolt, Flange Head, M8-1.25 X 40 .....	6
3	103853121	Service, Beige, Seatback Asm .....	1
4	103853122	Service, White, Seatback Asm .....	1
5	103853124	Service, Gray, Seatback Asm .....	1
6	103853125	Service, Black, Seatback Asm .....	1
7	103952901	Kit, Sam Assembly (includes items 8 through 11) .....	1
8	102297230	Screw, M6, Torx, Interlock Thread .....	4
9	103929301	Support- Canopy, Drv .....	1
10	103929302	Support- Canopy, Pass .....	1
11	N/A	Asm, Prec, Sam (includes items 12 through 20) .....	1
12	102297230	Screw, M6, Torx, Interlock Thread .....	3
13	102504001	Asm-bag Hoop (includes items 14 through 17) .....	1
14	1010434	Barrel - Plastic .....	2
15	102504201	Hoop-bag .....	1
16	102504301	Strap, Bag .....	1
17	102517001	Buckle-bag Strap .....	2
18	N/A	Structural Accessory Module .....	1
19	103327601	Screw, 5/16, Torx, Bosscrew .....	2
20	103699401	Panel, Sam, Prec .....	1
21	103978801	Barrel-push 6mm .....	4
<p>Note: Screws (item 8) not shown. These are four new screws to replace those used to attach accessory mounting brackets to SAM (item 18).</p>			

1  
G  
E

**1**  
**G**  
**E**



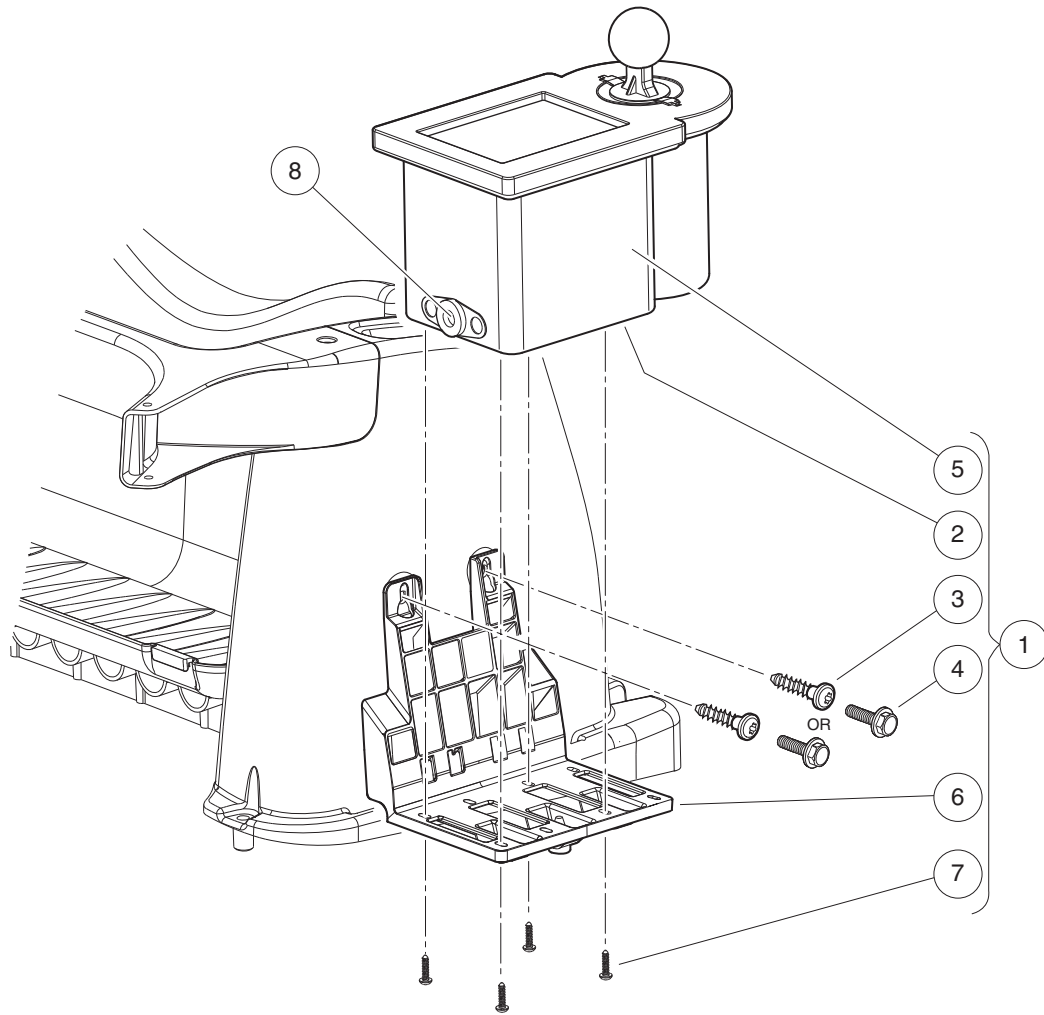
000436-010

# REAR BODY

ITEM	PART NO.	DESCRIPTION	QTY
		<b>1 2 3 4</b>	
1	102279104	Underbody - Rear, Blk .....	1
2	102292701	Clip-body-trim .....	2
3	102296601	U-Nut, M6-1.0, Prevailing Torque .....	2
4	102297230	Screw, M6, Torx, Interlock Thread .....	4
5	102298030	Screw, K80x30, Torx Pn Hd Pt .....	4
6	102298716	M8-1.25x16 Taptite .....	2
7	102501402	Panel, Access, Black .....	1
8	102502301	Panel, Beauty, Rear, White .....	1
9	102502302	Panel, Beauty, Rear, Beige .....	1
10	102502304	Panel, Beauty, Rear, Gray .....	1
11	102502305	Panel, Beauty, Rear, Red .....	1
12	102502306	Panel, Beauty, Rear, Burgundy .....	1
13	102502307	Panel, Beauty, Rear, Green .....	1
14	102502308	Panel, Beauty, Rear, Blue .....	1
15	102502309	Panel, Beauty, Rear, Black .....	1
16	102502311	Panel-beauty Rear, Cayenne .....	1
17	102502313	Panel-beauty Rear, Atlantic .....	1
18	102967901	Rivet, Removable, Tuflok 1/4" .....	2
19	103812901	Asm, Rear Underbody Supp, Rh .....	1
20	103813001	Asm, Rear Underbody Supp, Lh .....	1

**1**  
**G**  
**E**

**1**  
**G**  
**E**



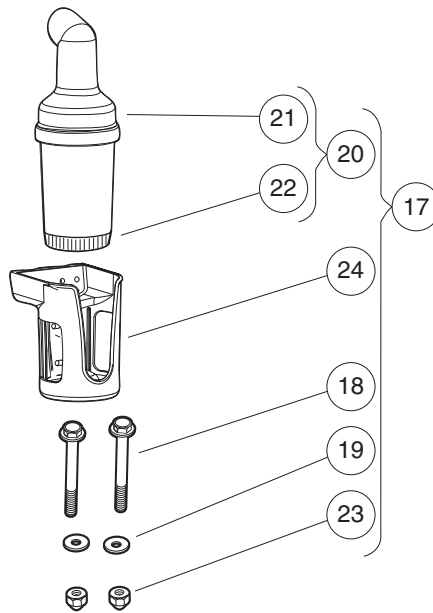
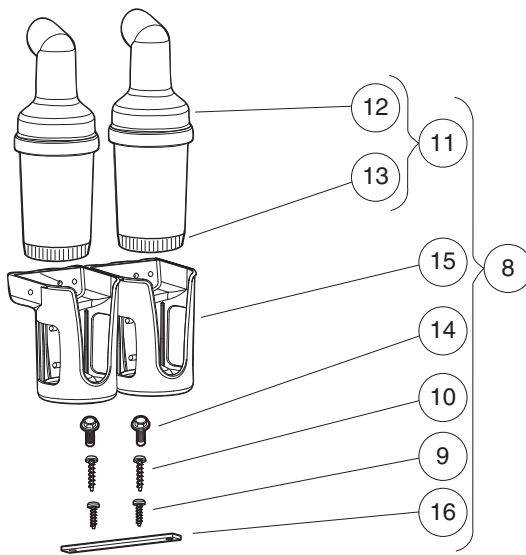
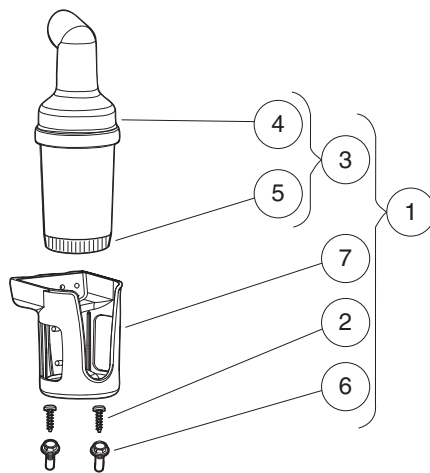
001046-001

# CLUB AND BALL CLEANER KIT

ITEM	PART NO.	DESCRIPTION	QTY
		<b>1 2 3 4</b>	
1	102538803	Ball Washer Instl, Prec, Field (includes items 2 through 7) .....	1
2	1010436	Bumper, Rubber .....	1
3	102297230	Screw, M6, Torx, Interlock Thread .....	2
4	102541401	Bolt-m6x1.0x20 Hex Flhd Blk-l .....	2
5	103662801	Washer, Ball, Black .....	1
6	103994101	Bracket, Prec Ball Washer .....	1
7	1620	Screw, #10-16 X 0.75 Pan-Head Tap .....	4
8	AM1231201	Drain Plug, Club Clean .....	1

**1**  
**G**  
**E**

**1**  
**G**  
**E**



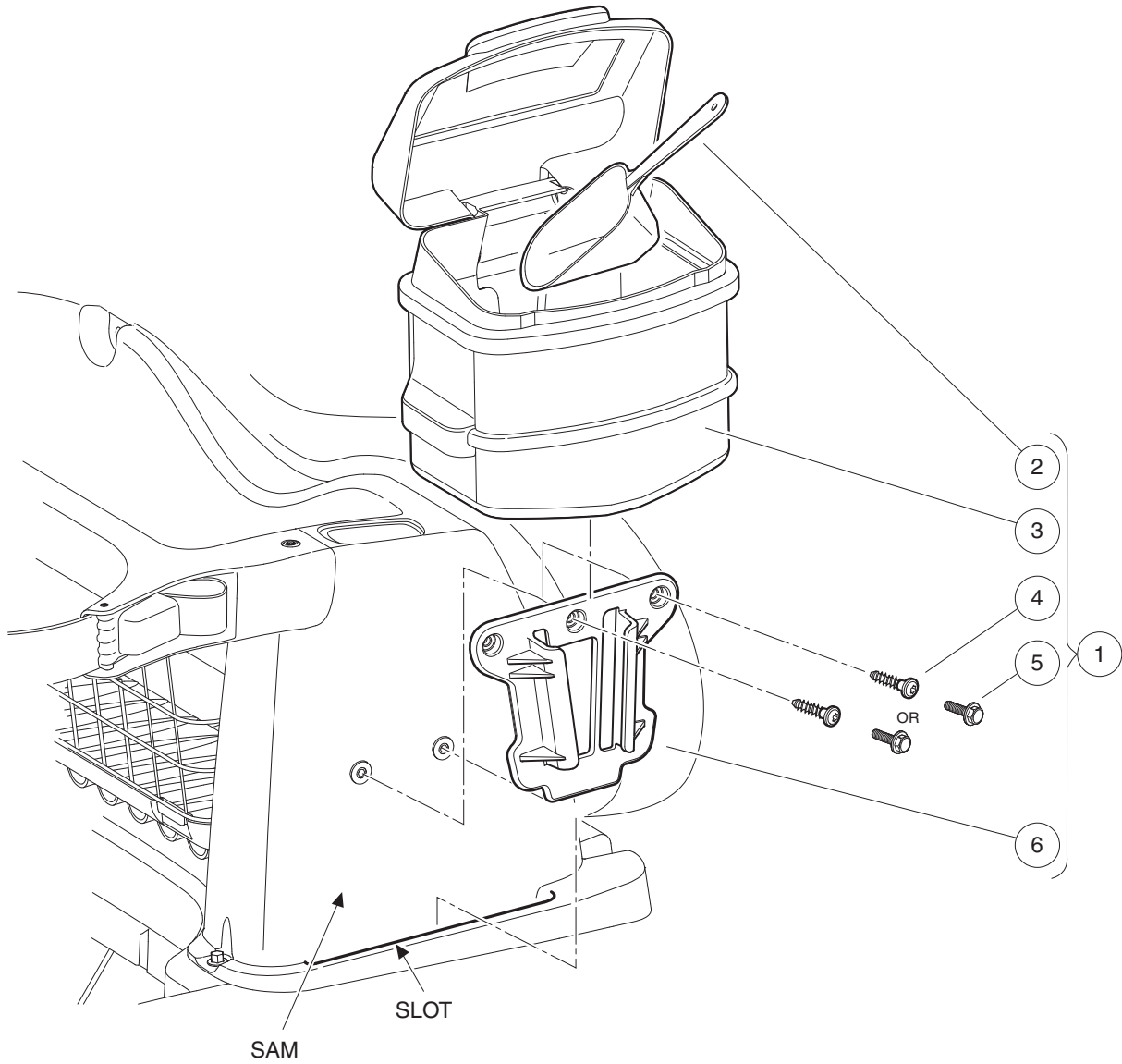
001048-001

# SAND BOTTLE KITS

ITEM	PART NO.	DESCRIPTION	QTY
		1 2 3 4	
1	103451901	Kit, Sand Bottle, Sam, Single (includes items 2 through 7) .....	1
2	102297230	Screw, M6, Torx, Interlock Thread .....	2
3	102478201	Asm, Sand Bottle, Bottom-Fill, Curve/Grip Neck (includes items 4 and 5) .....	1
4	N/A	Sand Bottle, Bottom-Fill, Curve/Grip Neck .....	1
5	102478101	Cap, Sand Bottle, Bottom-Fill .....	1
6	102541425	Bolt, M6x1.0x25, Hex Flhd, Blk-l .....	2
7	103451301	Basket, Sand Bottle .....	1
8	103451902	Kit, Sand Bottle, Sam, Dual (includes items 9 through 16) .....	1
9	102296020	Screw, Torx Pan Hd Pt, M6 X 20 .....	2
10	102297230	Screw, M6, Torx, Interlock Thread .....	2
11	102478201	Asm, Sand Bottle, Bottom-Fill, Curve/Grip Neck (includes items 12 and 13) .....	2
12	N/A	Sand Bottle, Bottom-Fill, Curve/Grip Neck .....	1
13	102478101	Cap, Sand Bottle, Bottom-Fill .....	1
14	102541425	Bolt, M6x1.0x25, Hex Flhd, Blk-l .....	2
15	103451301	Basket, Sand Bottle .....	2
16	103451401	Link, Dual Basket .....	1
17	103451903	Kit, Sand Bottle, Strut, Prec (includes items 18 through 24) .....	1
18	102296150	Bolt - M6x1.0x50 Hex Flng Hd .....	2
19	102296301	Washer, M6x18x1.6 Flat .....	2
20	102478201	Asm, Sand Bottle, Bottom-Fill, Curve/Grip Neck (includes items 21 and 22) .....	1
21	N/A	Sand Bottle, Bottom-Fill, Curve/Grip Neck .....	1
22	102478101	Cap, Sand Bottle, Bottom-Fill .....	1
23	102582401	Cap Nut M6, Sp .....	2
24	103451301	Basket, Sand Bottle .....	1

1  
G  
E

**1**  
**G**  
**E**



001047-001



# SAND BUCKET KITS

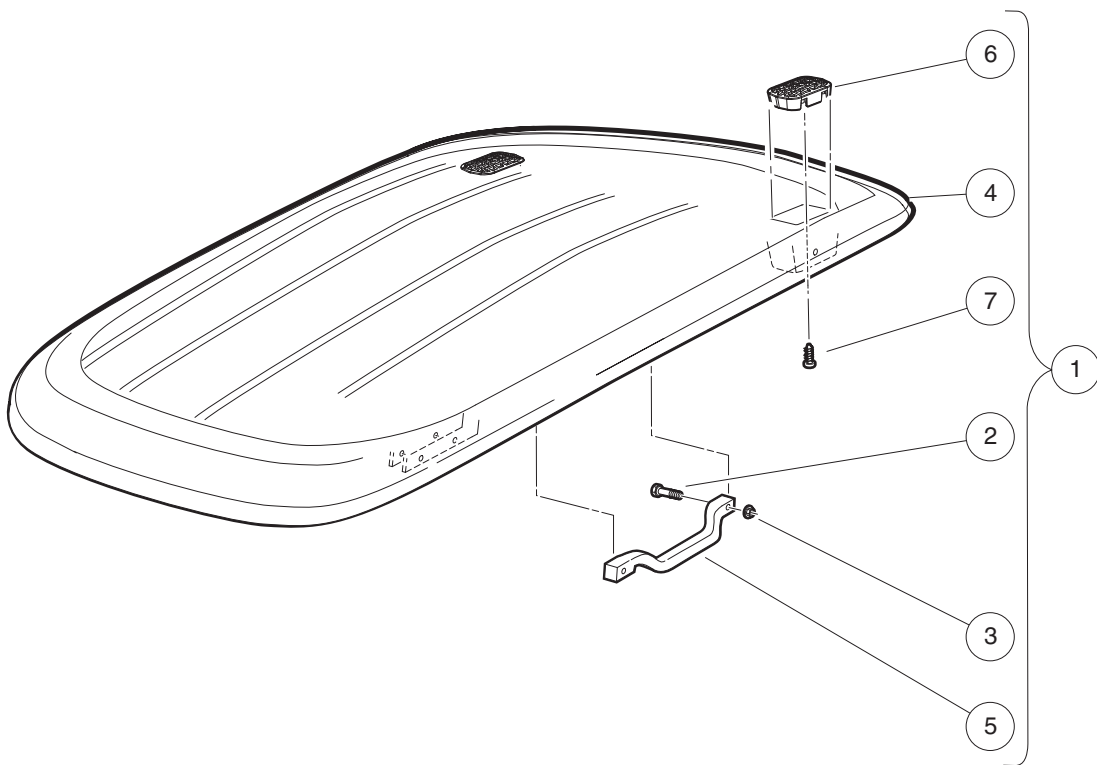
ITEM	PART NO.	DESCRIPTION	QTY
		1 2 3 4	
1	102536103	Sand Bucket Instl, Prec, Field (includes items 2 through 6) .....	1
2	1017041	Scoop, Plastic Sand .....	1
3	101985201	Bucket Assy, Sand .....	1
4	102297230	Screw, M6, Torx, Interlock Thread .....	2
5	102541401	Bolt-m6x1.0x20 Hex Flhd Blk-l .....	2
6	103886801	Accessory Bracket, Prec .....	1

1  
G  
E

1

G

E



000439-009

# CANOPY – WHITE

ITEM	PART NO.	DESCRIPTION	QTY
		<b>1 2 3 4</b>	
1	104008001	Asm, Canopy W/handles, White (includes items 2 through 7) .....	1
2	102296140	Bolt, Flanged Head, M6x1.0x40 .....	4
3	102296401	Nut, M6x1.0, Flange, Metal Lock .....	4
4	102508901	Canopy-white .....	1
5	102511601	Handle, Canopy (White) .....	2
6	103205101	Cover, Drain, Canopy, Precedent .....	2
7	103210101	Screw, #8 X.75, Torx, Tapping .....	2

1

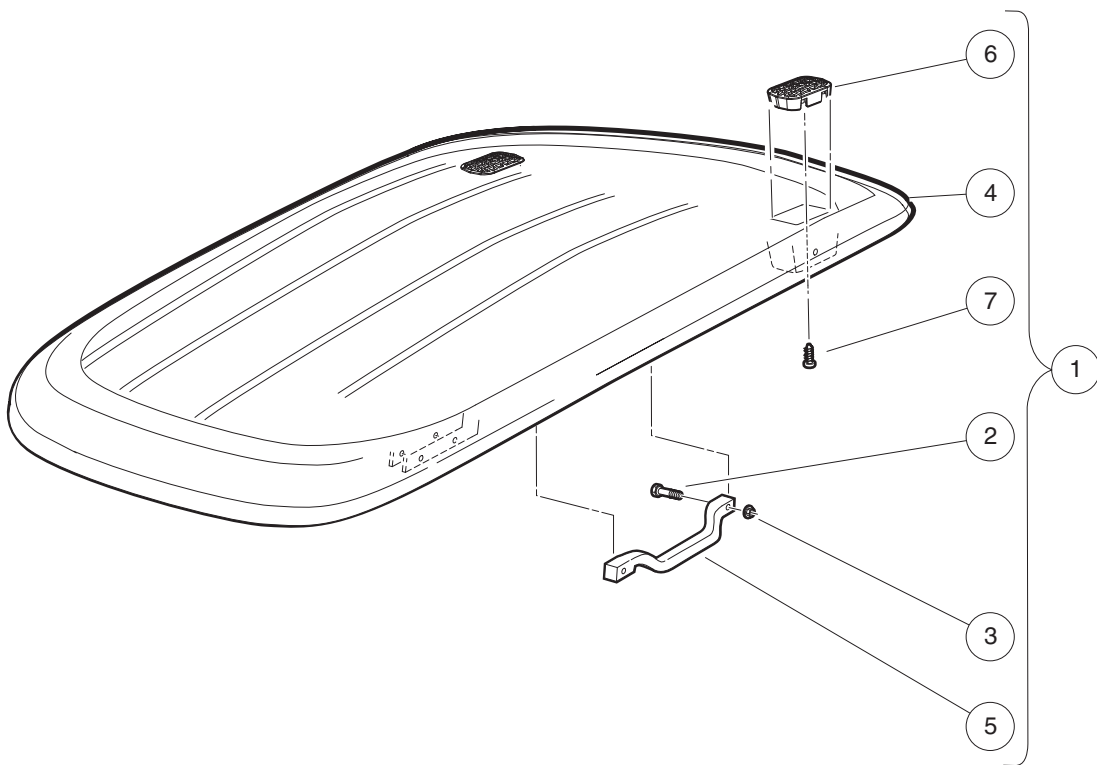
G

E

1

G

E



000439-009

# CANOPY – BEIGE

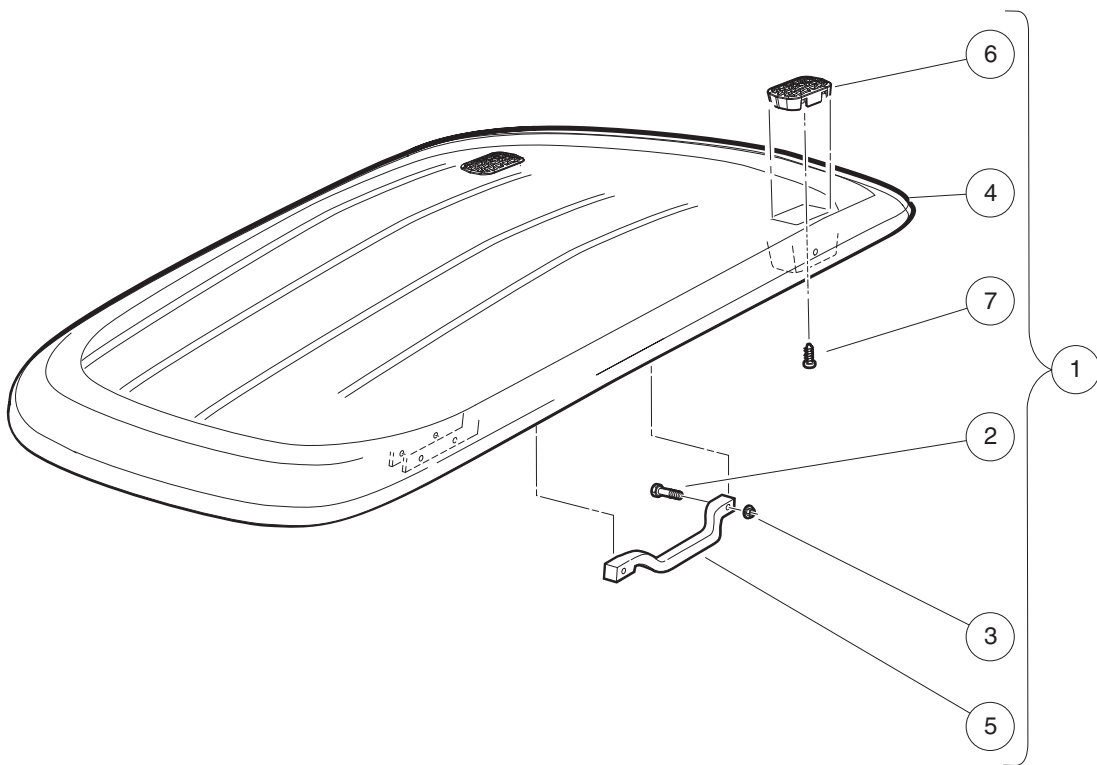
ITEM	PART NO.	DESCRIPTION	QTY
		<b>1 2 3 4</b>	
1	104008002	Asm, Canopy W/handles, Beige (includes items 2 through 7) .....	1
2	102296140	Bolt, Flanged Head, M6x1.0x40 .....	4
3	102296401	Nut, M6x1.0, Flange, Metal Lock .....	4
4	102508902	Canopy-beige .....	1
5	102511602	Handle, Canopy (Beige) .....	2
6	103205101	Cover, Drain, Canopy, Precedent .....	2
7	103210101	Screw, #8 X.75, Torx, Tapping .....	2

1  
G  
E

1

G

E



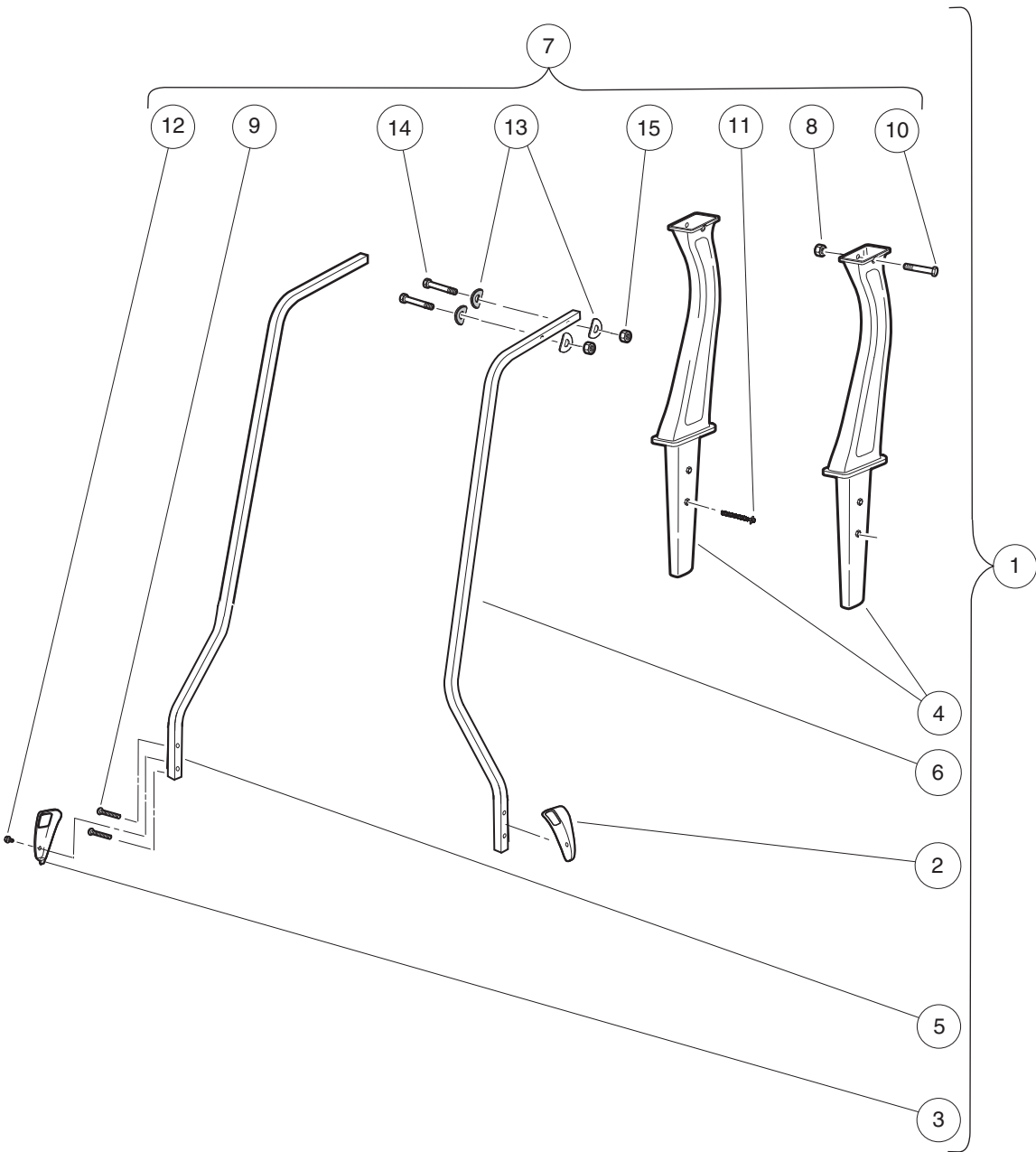
000439-009

# CANOPY – BLACK

ITEM	PART NO.	DESCRIPTION	QTY
		<b>1 2 3 4</b>	
1	104008003	Asm, Canopy W/handles, Black (includes items 2 through 7) .....	1
2	102296140	Bolt, Flanged Head, M6x1.0x40 .....	4
3	102296401	Nut, M6x1.0, Flange, Metal Lock .....	4
4	102508903	Canopy-black .....	1
5	102511603	Handle-canopy (black) .....	2
6	103205101	Cover, Drain, Canopy, Precedent .....	2
7	103210101	Screw, #8 X.75, Torx, Tapping .....	2

1  
G  
E

**1**  
**G**  
**E**



000439-010

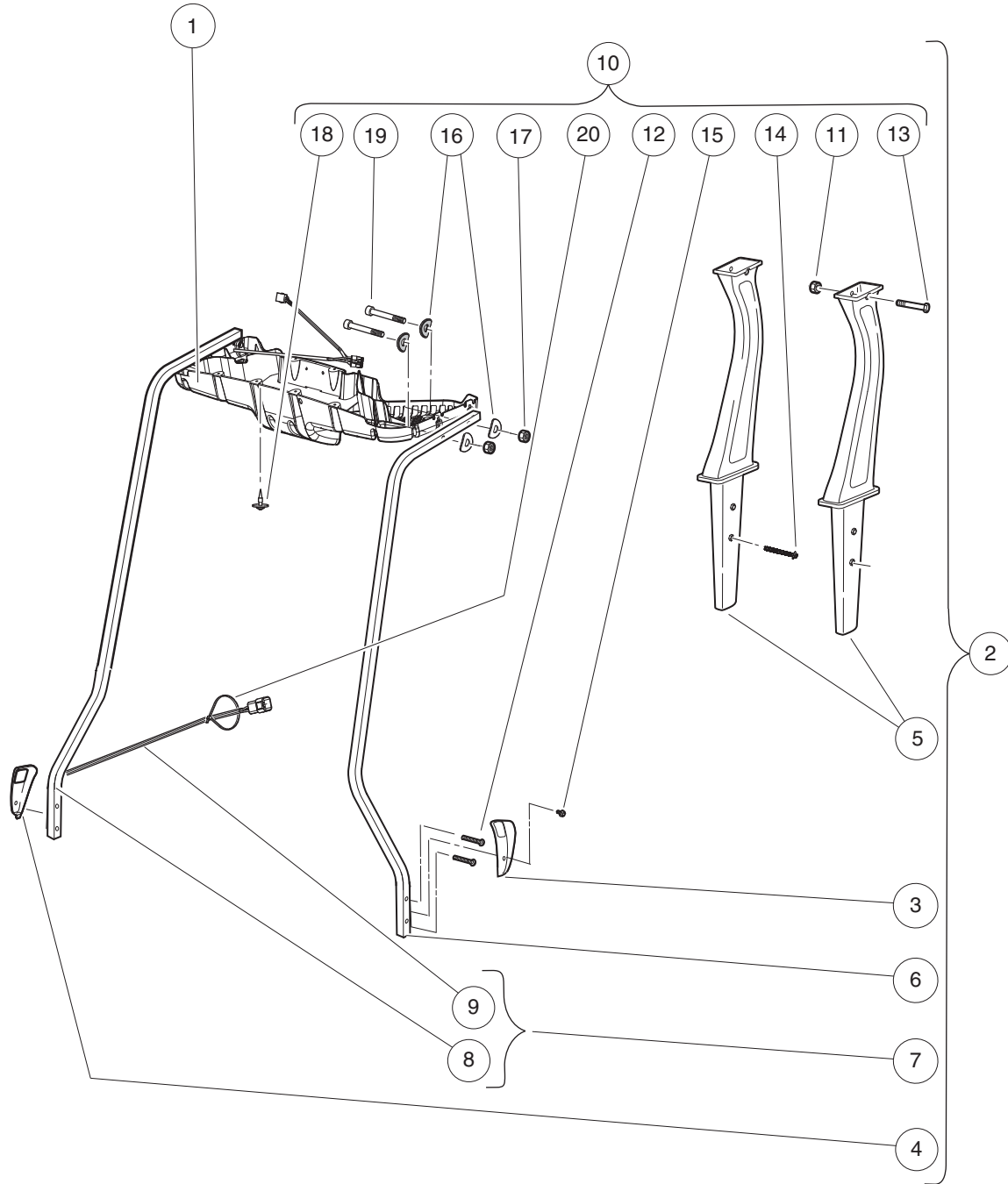


# CANOPY STRUTS

ITEM	PART NO.	DESCRIPTION	QTY
		1 2 3 4	
1	104008901	Kit, Sp, Struts, Prec, Std (includes items 2 through 7) .....	1
2	102400002	Cover, Lh Canopy Support, Blk .....	1
3	102400102	Cover, Rh Canopy Support, Blk .....	1
4	102513501	Asm-rear Canopy Support .....	2
5	103750001	Strut, Canopy Front Rh-prec .....	1
6	103750101	Strut, Canopy Front Lh-prec .....	1
7	104008501	Kit, Hardware, Canopy, Std (includes items 8 through 15) .....	1
8	102298401	Nut,m8,all Metal Lock .....	2
9	102299065	M8-1.25 X 65 Tx Bttm Hd Bolt .....	4
10	102299360	Screw, M8-1.25 X 60, Sems, Tx .....	2
11	102299601	Screw, Pt, K80x70 Hex Flg Hd .....	2
12	102544201	Screw, M6 Hex .....	2
13	103196001	Washer, Conical Spring, Canopy .....	8
14	103199301	Bolt - M6 X 1 X 45 Hh Grey .....	4
15	103200301	Nut, M6 x 1.00 .....	4

1  
G  
E

**1**  
**G**  
**E**



000439-011

# VISAGE CANOPY STRUTS AND CONSOLE

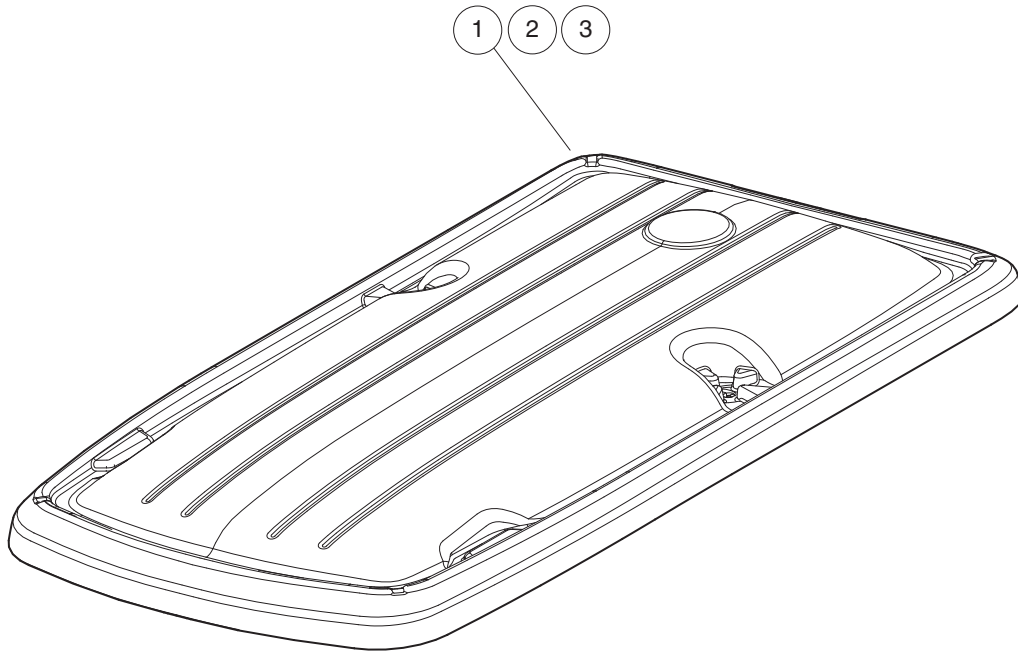
ITEM	PART NO.	DESCRIPTION	QTY
		1 2 3 4	
1	103725601	Support, Guardian Canopy Mt .....	1
2	104008902	Kit, Sp, Struts, Prec, Vis (includes items 3 through 10) .....	1
3	102400002	Cover, Lh Canopy Support, Blk .....	1
4	102400102	Cover, Rh Canopy Support, Blk .....	1
5	102513501	Asm-rear Canopy Support .....	2
6	103750101	Strut, Canopy Front Lh-prec .....	1
7	103775201	Asm, Frnt Strut, Prec, Ps, V2 (includes items 8 and 9) .....	1
8	103750001	Strut, Canopy Front Rh-prec .....	1
9	103775601	Harness, Canopy Mount, V2 .....	1
10	104008502	Kit, Hardware, Canopy, Vis (includes items 11 through 20) .....	1
11	102298401	Nut,m8,all Metal Lock .....	2
12	102299065	M8-1.25 X 65 Tx Bttn Hd Bolt .....	4
13	102299360	Screw, M8-1.25 X 60, Sems, Tx .....	2
14	102299601	Screw, Pt, K80x70 Hex Flg Hd .....	2
15	102544201	Screw, M6 Hex .....	2
16	103196001	Washer, Conical Spring, Canopy .....	4
17	103200301	Nut, M6 x 1.00 .....	4
18	103774801	Screw, Pt, Washer Head, 4x16 .....	6
19	103881201	Socket Head Cap Screw, M6 X 50mm, Magni-Coated .....	4
20	8990	Tie Wrap, 8" Nylon .....	1

**1**  
**G**  
**E**

1

G

E



000439-012

# FOUR-PASSENGER MONSOON CANOPY

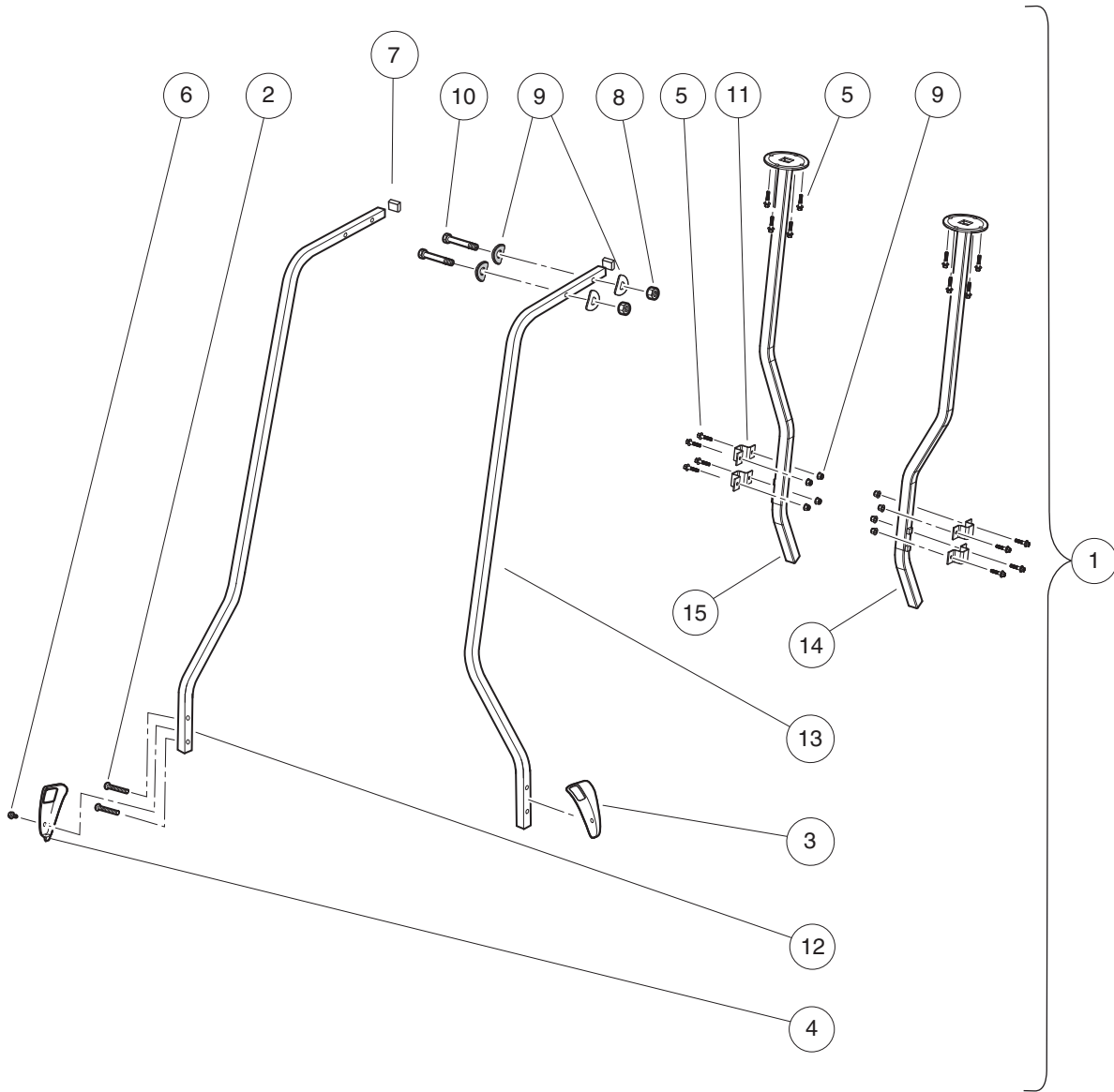
ITEM	PART NO.	DESCRIPTION	QTY
		1 2 3 4	
1	103286201	Asm, Canopy 4p Monsoon XI, Wht .....	1
2	103286202	Asm, Canopy 4p Monsoon XI, Bge .....	1
3	103286203	Asm, Canopy 4p Monsoon XI, Blk .....	1

1

G

E

**1**  
**G**  
**E**



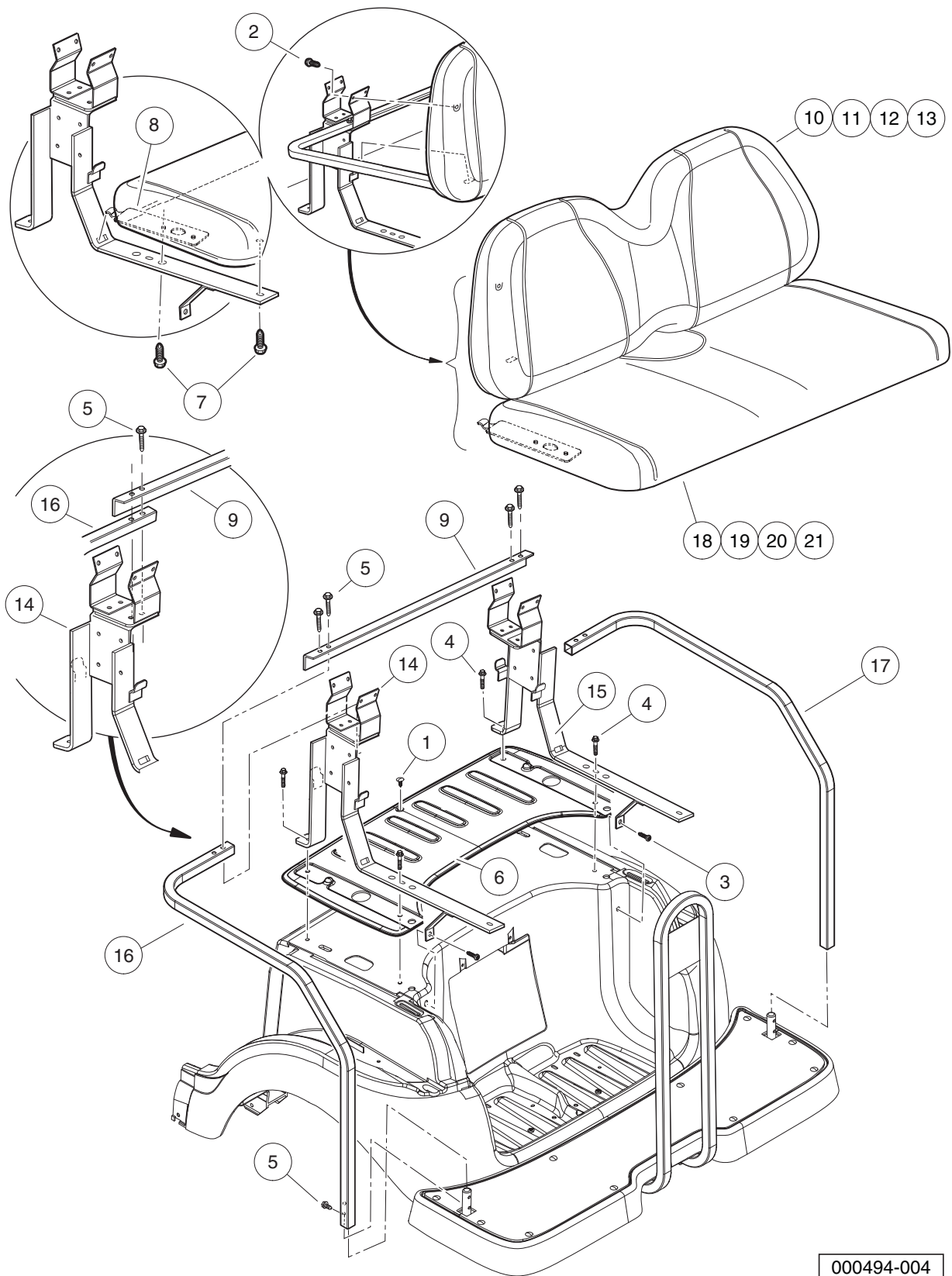
000439-013

## FOUR-PASSENGER MONSOON CANOPY STRUTS

ITEM	PART NO.	DESCRIPTION	QTY
		1 2 3 4	
1	103725701	Kit- Canopy 4 Pass Strut (includes items 2 through 15) .....	1
2	102299065	M8-1.25 X 65 Tx Bttn Hd Bolt .....	4
3	102400002	Cover, Lh Canopy Support, Blk .....	1
4	102400102	Cover, Rh Canopy Support, Blk .....	1
5	102541425	Bolt, M6x1.0x25, Hex Flhd, Blk-l .....	16
6	102544201	Screw, M6 Hex .....	2
7	102581201	Plug, Square - 25.4 mm .....	2
8	102621501	Nut, Flange, M6 X 1.0, Nylon .....	12
9	103196001	Washer, Conical Spring, Canopy .....	8
10	103199301	Bolt - M6 X 1 X 45 Hh Grey .....	4
11	103653201	Bracket- Hat, Strut .....	4
12	103750001	Strut, Canopy Front Rh-prec .....	1
13	103750101	Strut, Canopy Front Lh-prec .....	1
14	103816401	Weldment- Drain Strut, Drv .....	1
15	103816402	Weldment- Drain Strut, Pas .....	1

1  
G  
E

**1**  
**G**  
**E**



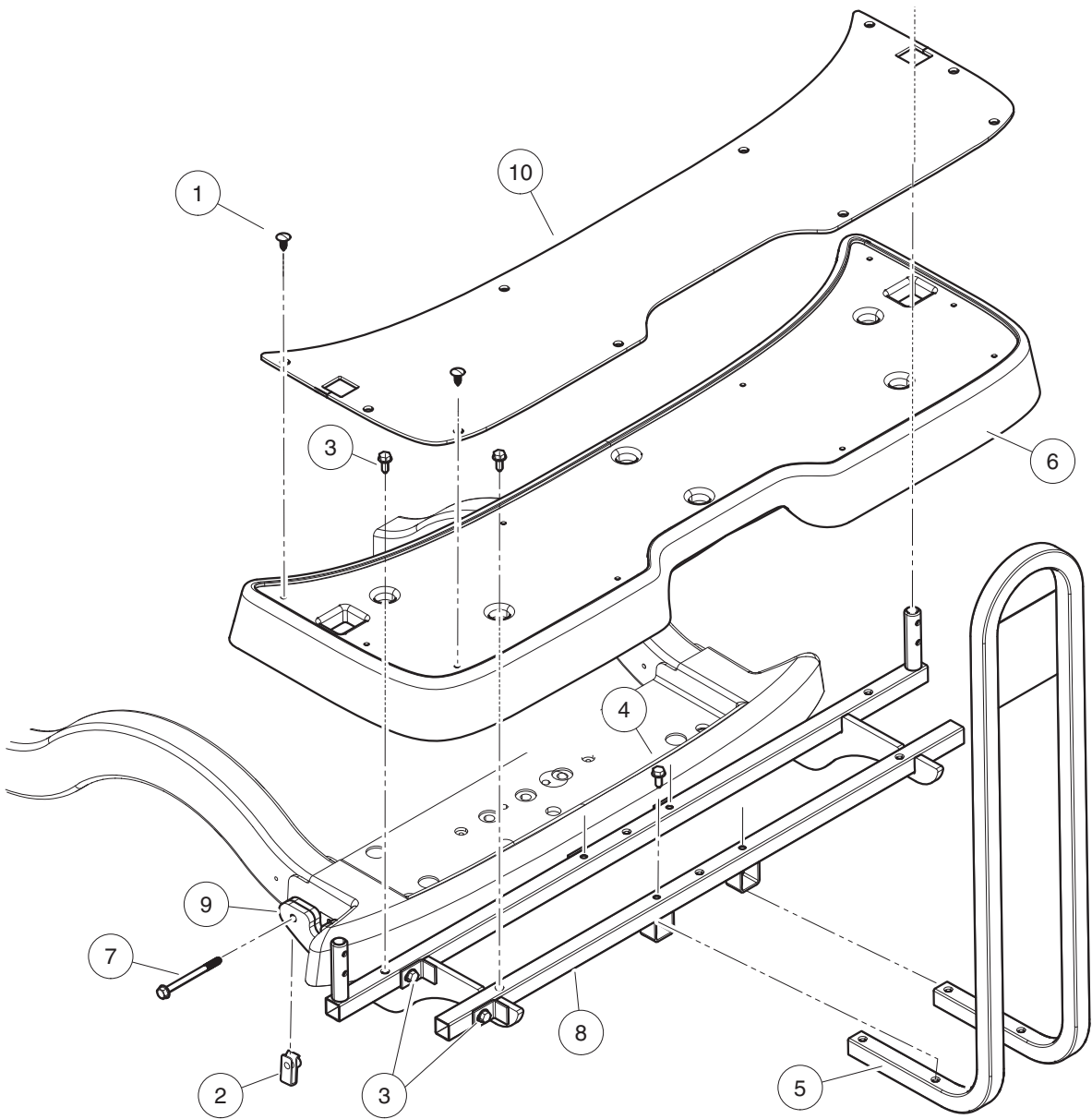
000494-004



## REAR SEAT – PRECEDENT VILLAGER 4

ITEM	PART NO.	DESCRIPTION	QTY
		<b>1 2 3 4</b>	
1	1010434	Barrel - Plastic .....	10
2	102296530	Screw - M6 X 1.0 X 30 Sems .....	4
3	102298030	Screw, K80x30, Torx Pn Hd Pt .....	2
4	102298240	Bolt, Flange Head, M8-1.25 X 40 .....	1
5	102298745	M8-1.25x45 Taptite .....	10
6	102531502	Cover- 4 Pass W/canopy .....	1
7	102541425	Bolt, M6x1.0x25, Hex Flhd, Blk-l .....	4
8	102573101	Bracket, 4-pass Lower Seat .....	2
9	103653001	Angle, Strut, Tie .....	1
10	103853121	Service, Beige, Seatback Asm .....	1
11	103853122	Service, White, Seatback Asm .....	1
12	103853124	Service, Gray, Seatback Asm .....	1
13	103853125	Service, Black, Seatback Asm .....	1
14	103866801	Weldment, Sprt, 4pass, Drv .....	1
15	103866802	Weldment, Sprt, 4pass, Pasrv .....	1
16	103866901	Restraint-lh 4pass Hip .....	1
17	103866902	Restraint-rh 4pass Hip .....	1
18	105101221	Service, Beige, 4pass Rear Btm .....	1
19	105101222	Service, White, 4pass Rear Btm .....	1
20	105101224	Service, Gray, 4pass Rear Btm .....	1
21	105101225	Service, Black, 4pass Rear Btm .....	1

**1**  
**G**  
**E**



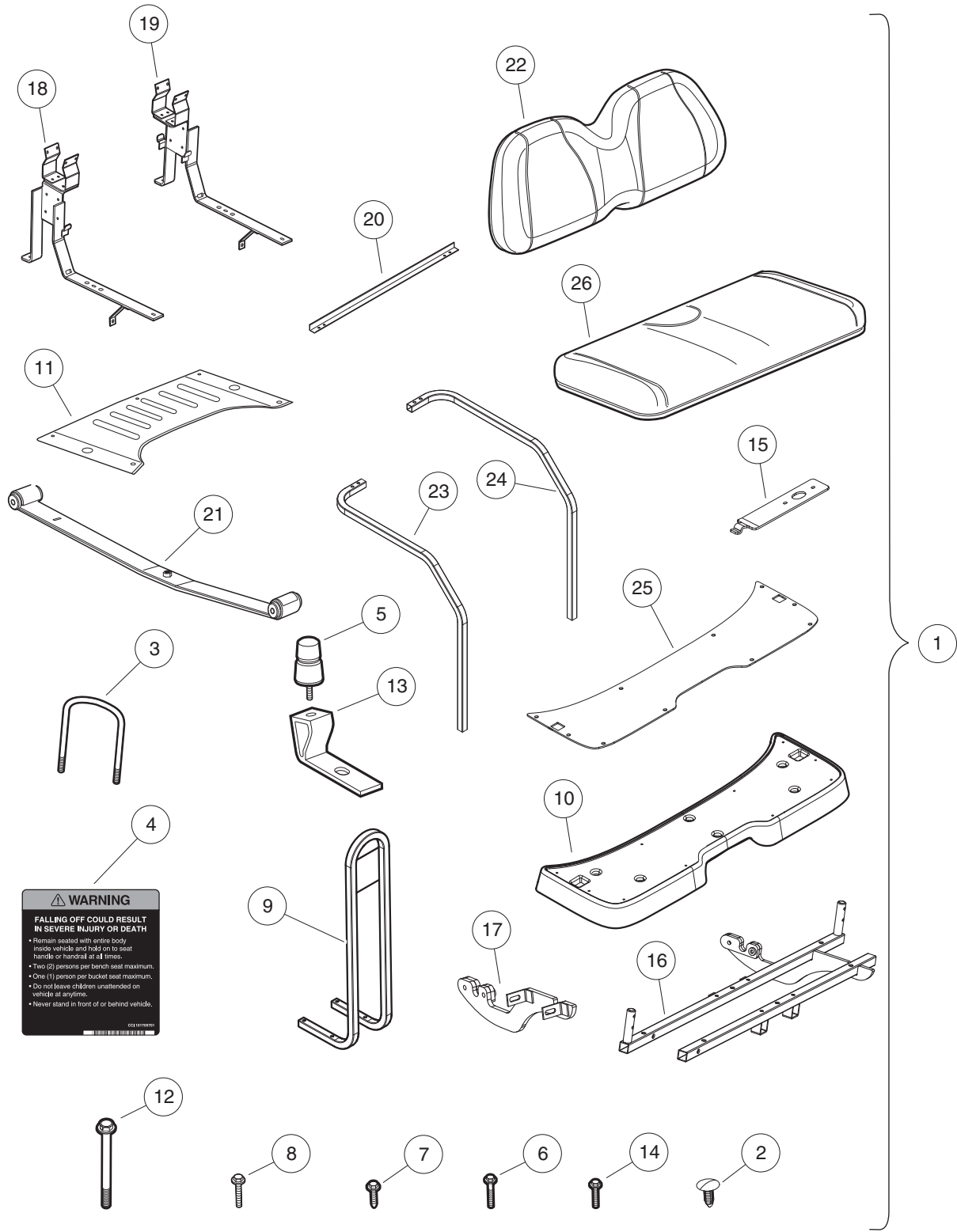
000493-004

# REAR FOOTREST ASSEMBLY, PRECEDENT VILLAGER 4

ITEM	PART NO.	DESCRIPTION	QTY
		<b>1 2 3 4</b>	
1	1010434	Barrel - Plastic .....	10
2	102298601	J-clip - M8 X 1.25 .....	4
3	102298720	Screw, M8-1.25x20, Taptite .....	8
4	102298745	M8-1.25x45 Taptite .....	4
5	102531001	Handrail Weldment, Rear Seat .....	1
6	102531402	Footdeck, 4-Passenger, Black .....	1
7	102534201	Bolt - Fl Hd, M8 X 95 .....	4
8	102584701	Weld, 4-pass Footdeck-a .....	1
9	102584801	Weld, 4-pass Footdeck-b .....	1
10	103922401	Floormat, 4-pass, Rear .....	1

**1**  
**G**  
**E**

**1**  
**G**  
**E**



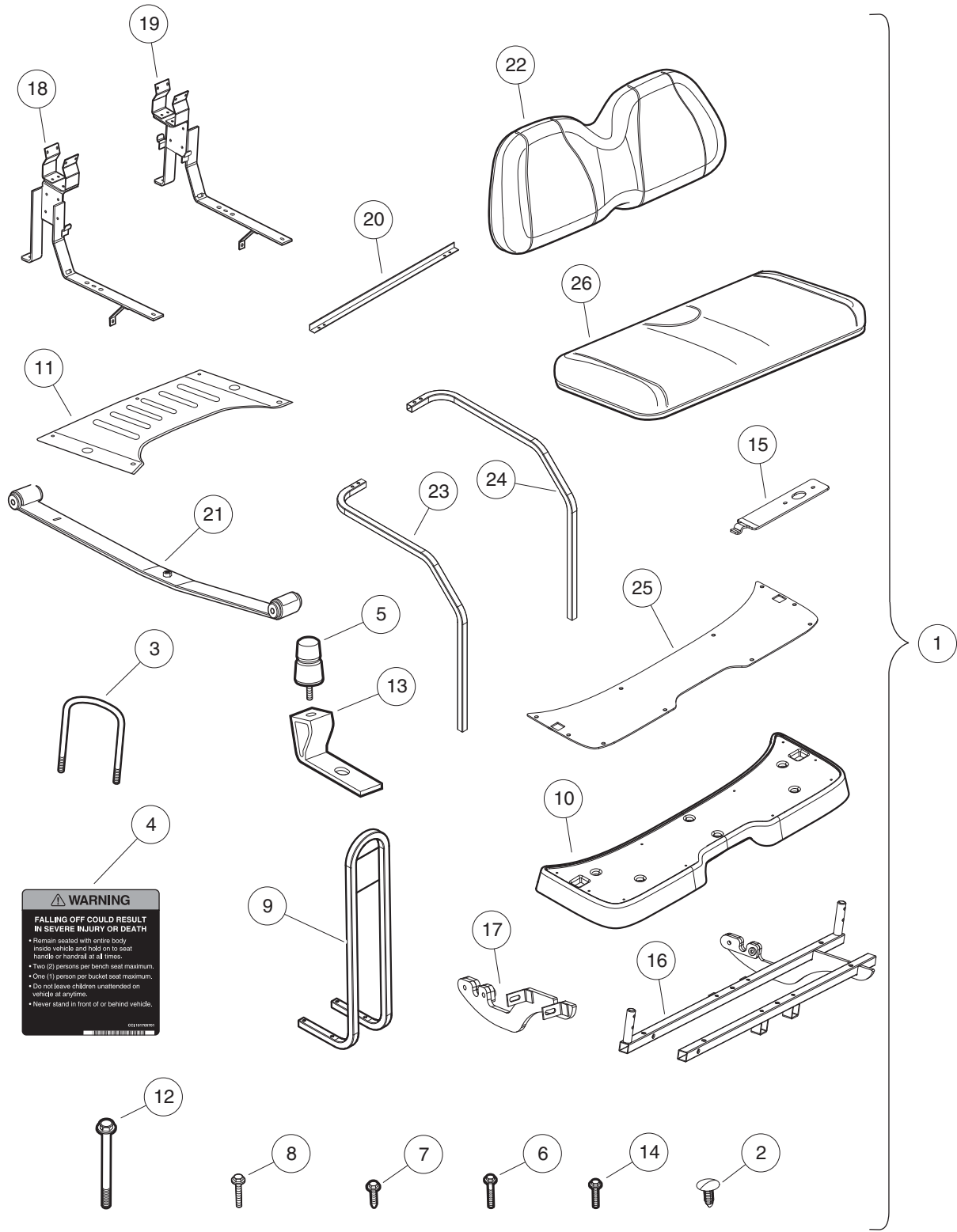
000505-008

# FOUR PASSENGER CONVERSION KIT, MONSOON – BEIGE

ITEM	PART NO.	DESCRIPTION	QTY
		<b>1 2 3 4</b>	
1	102570905	Kit-4pass, Monsoon XI, Beige (includes items 2 through 26) .....	1
2	1010434	Barrel - Plastic .....	11
3	1014902	U-Bolt .....	2
4	101705701	Decal, Warning .....	1
5	1017235	Bumper, Jounce .....	2
6	102296530	Screw - M6 X 1.0 X 30 Sems .....	4
7	102298720	Screw, M8-1.25x20, Taptite .....	12
8	102298745	M8-1.25x45 Taptite .....	8
9	102531001	Handrail Weldment, Rear Seat .....	1
10	102531402	Footdeck, 4-Passenger, Black .....	1
11	102531502	Cover- 4 Pass W/canopy .....	1
12	102534201	Bolt - Fl Hd, M8 X 95 .....	4
13	102534801	Jounce Bumper Bracket .....	2
14	102541425	Bolt, M6x1.0x25, Hex Flhd, Blk-l .....	6
15	102573101	Bracket, 4-pass Lower Seat .....	2
16	102584701	Weld, 4-pass Footdeck-a .....	1
17	102584801	Weld, 4-pass Footdeck-b .....	1
18	103624601	Weldment, Spt, 4pass, Drv .....	1
19	103624602	Weldment, Spt, 4pass, Pas .....	1
20	103653001	Angle, Strut, Tie .....	1
21	103742303	Asm, Rear Leaf Spring, Prec, 4-Passenger .....	2
22	103853121	Service, Beige, Seatback Asm .....	1
23	103866901	Restraint-lh 4pass Hip .....	1
24	103866902	Restraint-rh 4pass Hip .....	1
25	103922401	Floor mat, 4-pass, Rear .....	1
26	105101221	Service, Beige, 4pass Rear Btm .....	1

**1**  
**G**  
**E**

**1**  
**G**  
**E**



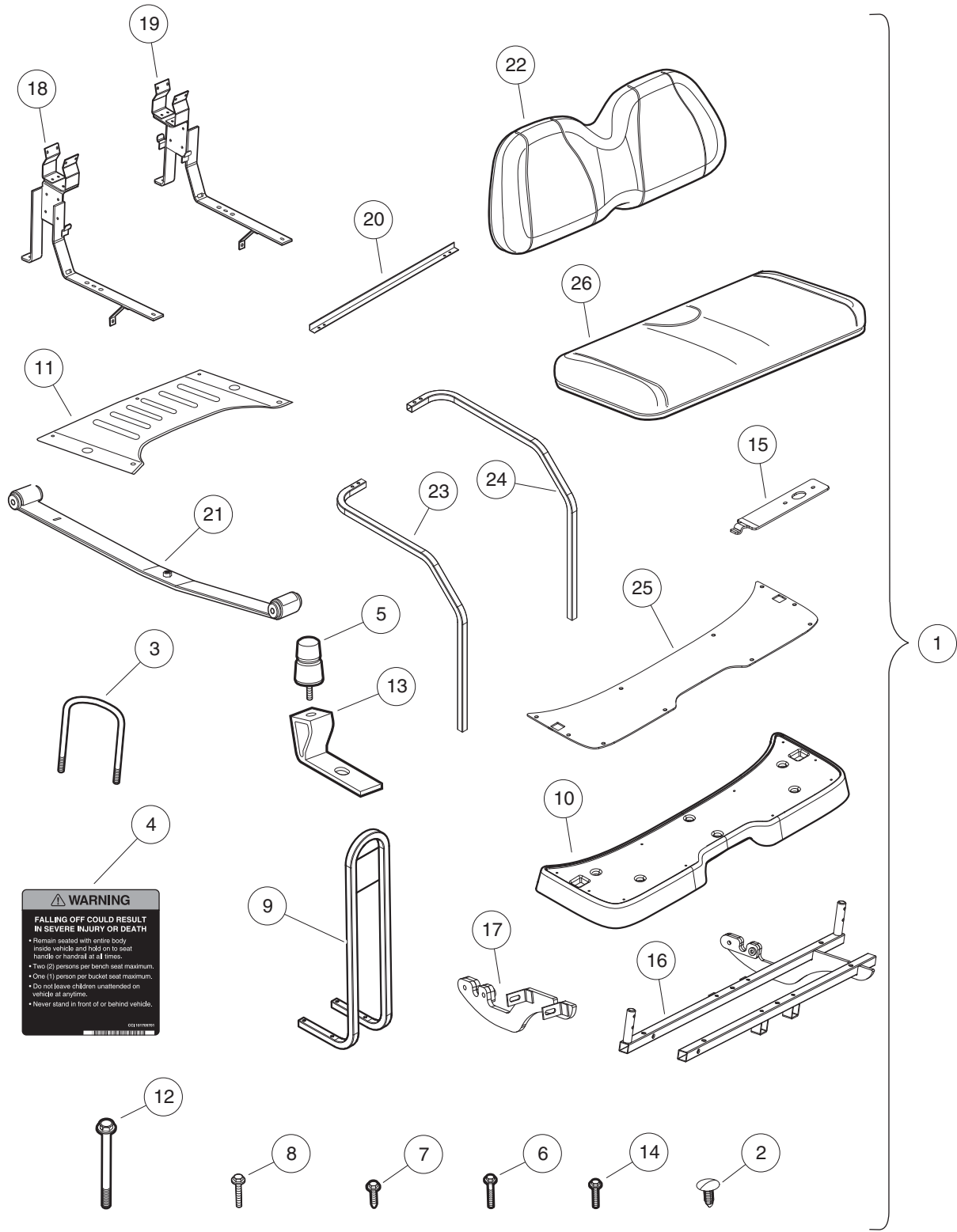
000505-008

# FOUR PASSENGER CONVERSION KIT, MONSOON – WHITE

ITEM	PART NO.	DESCRIPTION	QTY
		<b>1 2 3 4</b>	
1	102570906	Kit-4pass, Monsoon XI, White (includes items 2 through 26) .....	1
2	1010434	Barrel - Plastic .....	11
3	1014902	U-Bolt .....	2
4	101705701	Decal, Warning .....	1
5	1017235	Bumper, Jounce .....	2
6	102296530	Screw - M6 X 1.0 X 30 Sems .....	4
7	102298720	Screw, M8-1.25x20, Taptite .....	12
8	102298745	M8-1.25x45 Taptite .....	8
9	102531001	Handrail Weldment, Rear Seat .....	1
10	102531402	Footdeck, 4-Passenger, Black .....	1
11	102531502	Cover- 4 Pass W/canopy .....	1
12	102534201	Bolt - Fl Hd, M8 X 95 .....	4
13	102534801	Jounce Bumper Bracket .....	2
14	102541425	Bolt, M6x1.0x25, Hex Flhd, Blk-l .....	6
15	102573101	Bracket, 4-pass Lower Seat .....	2
16	102584701	Weld, 4-pass Footdeck-a .....	1
17	102584801	Weld, 4-pass Footdeck-b .....	1
18	103624601	Weldment, Spt, 4pass, Drv .....	1
19	103624602	Weldment, Spt, 4pass, Pas .....	1
20	103653001	Angle, Strut, Tie .....	1
21	103742303	Asm, Rear Leaf Spring, Prec, 4-Passenger .....	2
22	103853122	Service, White, Seatback Asm .....	1
23	103866901	Restraint-lh 4pass Hip .....	1
24	103866902	Restraint-rh 4pass Hip .....	1
25	103922401	Floormat, 4-pass, Rear .....	1
26	105101222	Service, White, 4pass Rear Btm .....	1

**1**  
**G**  
**E**

**1**  
**G**  
**E**



000505-008



# FOUR PASSENGER CONVERSION KIT, MONSOON – GRAY

ITEM	PART NO.	DESCRIPTION	QTY
		<b>1 2 3 4</b>	
1	102570907	Kit-4pass, Monsoon XI, Gray (includes items 2 through 26) .....	1
2	1010434	Barrel - Plastic .....	11
3	1014902	U-Bolt .....	2
4	101705701	Decal, Warning .....	1
5	1017235	Bumper, Jounce .....	2
6	102296530	Screw - M6 X 1.0 X 30 Sems .....	4
7	102298720	Screw, M8-1.25x20, Taptite .....	12
8	102298745	M8-1.25x45 Taptite .....	8
9	102531001	Handrail Weldment, Rear Seat .....	1
10	102531402	Footdeck, 4-Passenger, Black .....	1
11	102531502	Cover- 4 Pass W/canopy .....	1
12	102534201	Bolt - Fl Hd, M8 X 95 .....	4
13	102534801	Jounce Bumper Bracket .....	2
14	102541425	Bolt, M6x1.0x25, Hex Flhd, Blk-l .....	6
15	102573101	Bracket, 4-pass Lower Seat .....	2
16	102584701	Weld, 4-pass Footdeck-a .....	1
17	102584801	Weld, 4-pass Footdeck-b .....	1
18	103624601	Weldment, Spt, 4pass, Drv .....	1
19	103624602	Weldment, Spt, 4pass, Pas .....	1
20	103653001	Angle, Strut, Tie .....	1
21	103742303	Asm, Rear Leaf Spring, Prec, 4-Passenger .....	2
22	103853124	Service, Gray, Seatback Asm .....	1
23	103866901	Restraint-lh 4pass Hip .....	1
24	103866902	Restraint-rh 4pass Hip .....	1
25	103922401	Floormat, 4-pass, Rear .....	1
26	105101224	Service, Gray, 4pass Rear Btm .....	1

**1**  
**G**  
**E**

**1**

**G**

**E**

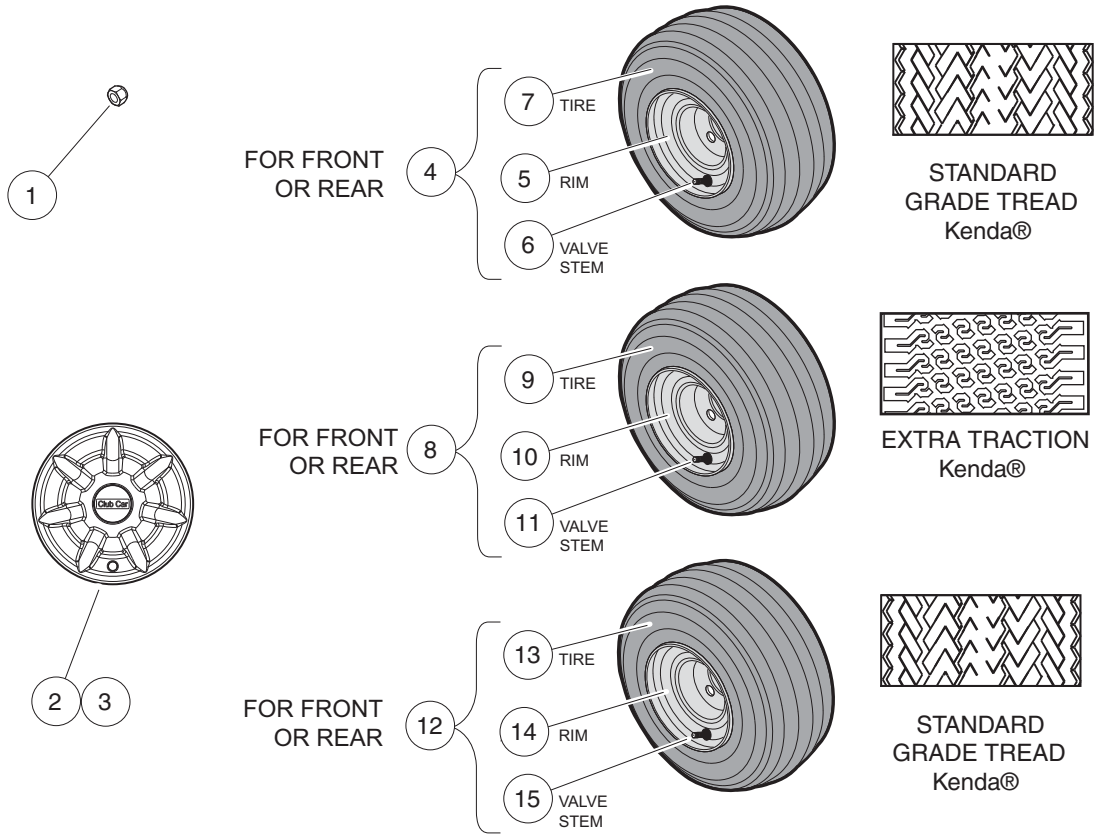
# WHEELS AND TIRES

---

2

G

E



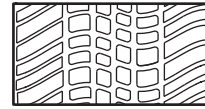
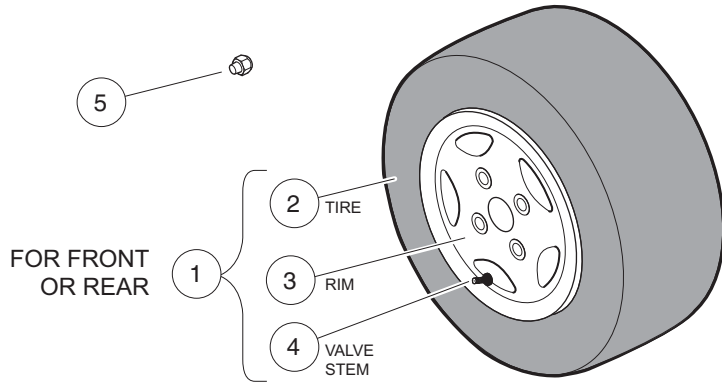
000474-007

## WHEELS AND TIRES, I2 AND SIGNATURE

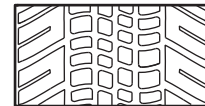
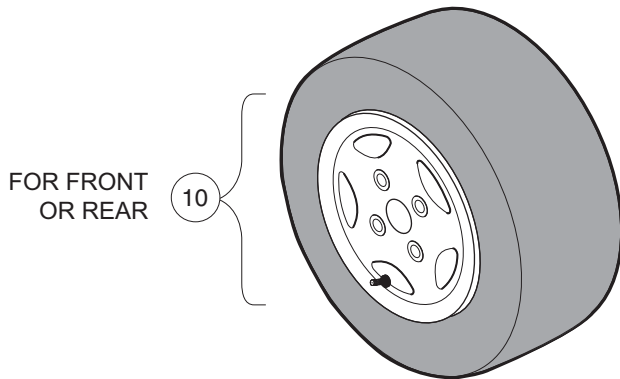
ITEM	PART NO.	DESCRIPTION	QTY
		<b>1 2 3 4</b>	
1	1010984	.500-20 Unf Lug Nut .....	16
2	102559901	Hub Cap Kit, Prec (includes item 3) .....	1
3	103694501	Hub Cap, 7 Prong .....	4
4	103951001	Assembly, Silver Wheel Kenda, Hn1 4ply (includes items 5 through 7) .....	4
5	103459104	Wheel Rim, 8"x7", Silver, Std .....	1
6	7310	Valve Stem, Black Plastic .....	1
7	AM10682	Unmounted Prem Tire 18x8.50x8 .....	1
8	103951002	Assembly, Silver Wheel Kenda, X/t 6ply (includes items 9 through 11) .....	4
9	102569302	Tire, Kenda, 18x8.5-8, 6-ply Xtr .....	1
10	103459104	Wheel Rim, 8"x7", Silver, Std .....	1
11	7310	Valve Stem, Black Plastic .....	1
12	103951007	Assembly, Silver Wheel Kenda, Radial (includes items 13 through 15) .....	4
13	102569311	Tire, Kenda, 18x8.5 R8, 4-ply .....	1
14	103459104	Wheel Rim, 8"x7", Silver, Std .....	1
15	7310	Valve Stem, Black Plastic .....	1

**2**  
**G**  
**E**

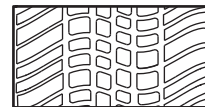
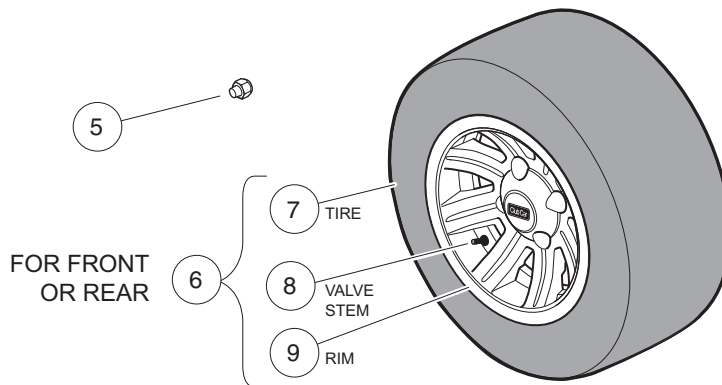
**2**  
**G**  
**E**



PRO TOUR  
Kenda



K399  
Kenda



PRO TOUR  
Kenda

000475-006

## WHEELS AND TIRES – I2L AND I2L2

ITEM	PART NO.	DESCRIPTION	QTY
		<b>1 2 3 4</b>	
1	102540601	Tire and Wheel, 10" Aluminum, Pro Tour Tire (includes items 2 through 4) .....	4
2	102556701	Tire, Pro Tour, 205-50 X 10 .....	1
3	102556801	Wheel, Aluminum, Champion .....	1
4	7310	Valve Stem, Black Plastic .....	1
5	102540701	Lug Nut, 1/2" Closed End .....	16
6	103935001	Tire and Wheel, 10", 8 Spoke, Alum. (includes items 7 through 9) .....	4
7	102556701	Tire, Pro Tour, 205-50 X 10 .....	1
8	103832401	Valve Stem With Cap, Chrome .....	1
9	103934901	Wheel, Aluminum 10x6, 8 Spoke .....	1
10	AM1263401	Tire and Wheel, 10" Alum., Kenda K399 205/50 Tire .....	4

2  
G  
E

**2**

**G**

**E**



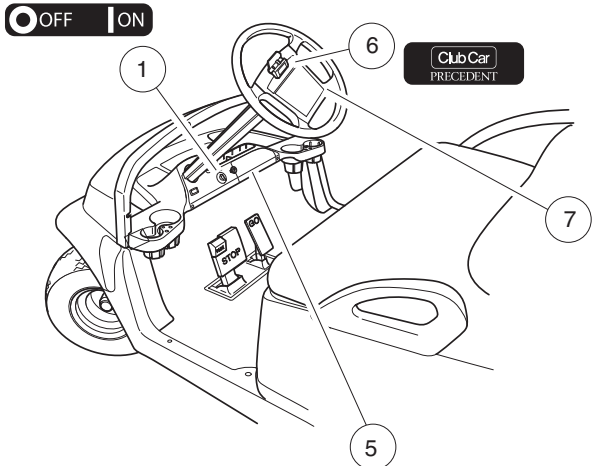
# DECALS

---

3

G

E



OFF | ON

Club Car  
PRECEDENT

**OPERATING INSTRUCTIONS**

Before using vehicle, read owner's manual and vehicle safety warnings. Study and understand controls.

**TO OPERATE**

- Ensure wheels are turned in desired direction and path is clear.
- Turn key to ON position.
- Select FORWARD or REVERSE only when stopped.
- Release park brake fully.
- Vehicle will start moving when accelerator pedal is pressed.
- Slowly press accelerator pedal to increase speed.
- To stop, release accelerator pedal and press brake pedal.

**WARNING**

Unintended vehicle movement may cause severe injury or death. Before leaving vehicle:

- Engage park brake to lock wheels.
- Place vehicle in NEUTRAL.
- Turn key to OFF and remove key.

10273002

**WARNING**

**ROLLOVER OR FALLING OFF MAY CAUSE SERIOUS INJURY OR DEATH.**

- Before using vehicle, read operating instructions.
- Do not start vehicle until all occupants are seated.
- Keep entire body inside vehicle while moving.
- Drive slowly in turns and straight up and down slopes.
- Use brakes to reduce speed when coasting downhill.
- Never operate under the influence of alcohol or drugs.
- For use by authorized persons in designated areas only.
- Remain seated while moving.
- Operate from driver side only.
- Never operate on public roads.
- Hold on to seat handle while moving.
- Two (2) persons per seat maximum.
- Never stand in front of or behind vehicle.
- Do not leave children unattended on vehicle.

CCI 102519301

**WARNING**

**BATTERY EXPLOSION / FIRE CAN CAUSE SEVERE INJURY**

- Do not contact positive (+) battery post or cable to frame.
- Disconnect negative (-) cable first.
- Negative (-) frame ground.

CCI 102517901

**WARNING**

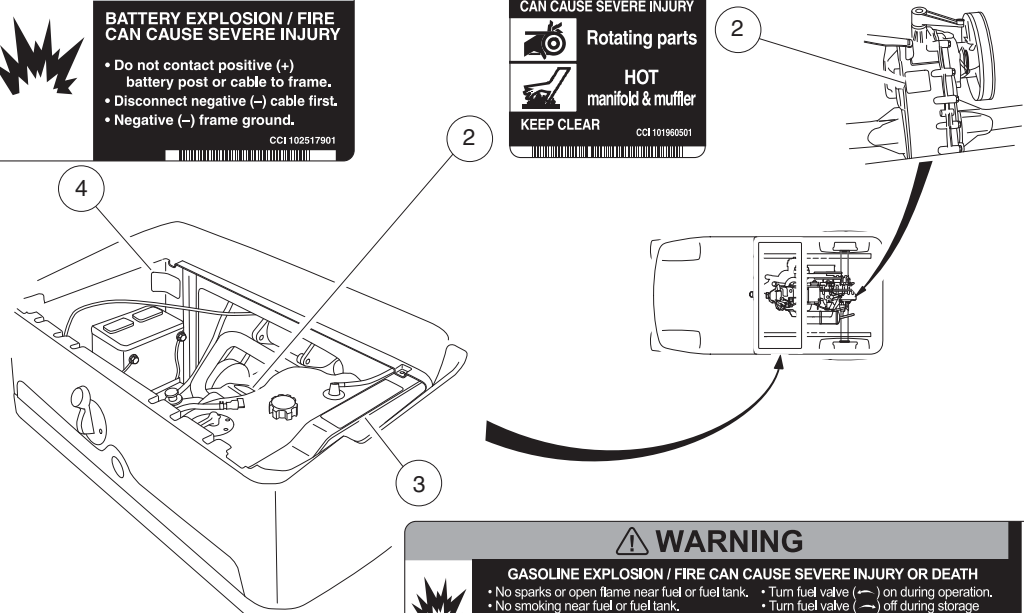
**CAN CAUSE SEVERE INJURY**

**Rotating parts**

**HOT manifold & muffler**

**KEEP CLEAR**

CCI 101960501



**WARNING**

**GASOLINE EXPLOSION / FIRE CAN CAUSE SEVERE INJURY OR DEATH**

- No sparks or open flame near fuel or fuel tank.
- No smoking near fuel or fuel tank.
- Stop engine and allow to cool before refueling.
- Turn fuel valve (↔) on during operation.
- Turn fuel valve (↔) off during storage or transport.

**EXCESSIVE SPEED CAN CAUSE SEVERE INJURY OR DEATH**

- Do not tamper with engine governor adjustment.

CCI 102517801

**CE**

000444-003

## DECALS – KAW. FE350 GAS VEHICLE, PAGE 1 OF 1


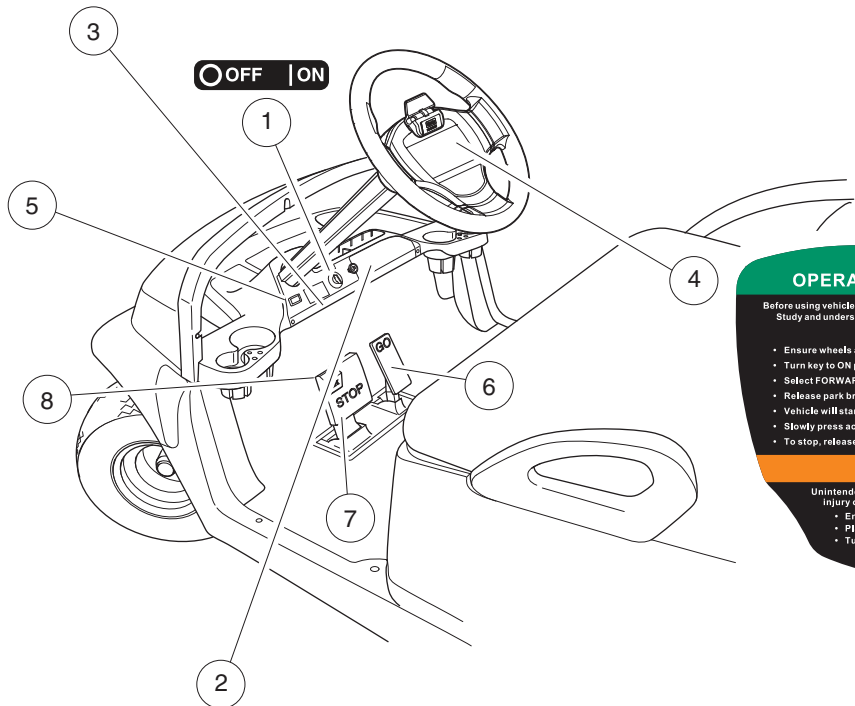
ITEM	PART NO.	DESCRIPTION	QTY
		1 2 3 4	
1	101825101	Decal, Off/On .....	1
2	101960501	Decal, Rotating Parts/Hot Manifold .....	2
3	102517801	Decal, Warning - Gas and Govenor .....	1
4	102517901	Decal, Warning - Frame Ground .....	1
5	102519301	Decal, Warning, Rollover .....	1
6	102540901	Decal, Club Car Clip .....	1
7	103783002	Decal, Op Instr, Gas Ps .....	1

3  
G  
E

**IMPORTANT NOTICE**

This vehicle does not conform to ANSI Z130.1 - "Standard for Golf Cars - Safety and Performance Requirements" because it is capable of speeds in excess of 15 miles per hour. Exercise caution.

CCI 102555901

**OPERATING INSTRUCTIONS**

Before using vehicle, read owner's manual and vehicle safety warnings. Study and understand controls.

**TO OPERATE**

- Ensure wheels are turned in desired direction and path is clear.
- Turn key to ON position.
- Select FORWARD or REVERSE only when stopped.
- Release park brake fully.
- Vehicle will start moving when accelerator pedal is pressed.
- Slowly press accelerator pedal to increase speed.
- To stop, release accelerator pedal and press brake pedal.

**WARNING**

Unintended vehicle movement may cause severe injury or death. Before leaving vehicle:

- Engage park brake to lock wheels.
- Place vehicle in NEUTRAL.
- Turn key to OFF and remove key.

103783002



**⚠ WARNING**

**ROLLOVER OR FALLING OFF MAY CAUSE SERIOUS INJURY OR DEATH.**

- Before using vehicle, read operating instructions.
- Do not start vehicle until all occupants are seated.
- Keep entire body inside vehicle while moving.
- Drive slowly in turns and straight up and down slopes.
- Use brakes to reduce speed when coasting downhill.
- Never operate under the influence of alcohol or drugs.
- For use by authorized persons in designated areas only.
- Remain seated while moving.
- Operate from driver side only.
- Never operate on public roads.
- Hold on to seat handle while moving.
- Two (2) persons per seat maximum.
- Never stand in front of or behind vehicle.
- Do not leave children unattended on vehicle.

CCI 102519301



2546

## DECALS – SUBARU EX40 GAS VEHICLE, PAGE 1 OF 3

ITEM	PART NO.	DESCRIPTION	QTY
		1 2 3 4	
1	101825101	Decal, Off/On .....	1
2	102519301	Decal, Warning, Rollover .....	1
3	102555901	Decal, Private Speed, Prec .....	1
4	103783002	Decal, Op Instr, Gas Ps .....	1

3  
G  
E

Maintenance Operate

**WARNING**

VEHICLE MOVEMENT MAY CAUSE SERIOUS INJURY  
When switch is in Maintenance position, chock wheels and firmly set park brake.

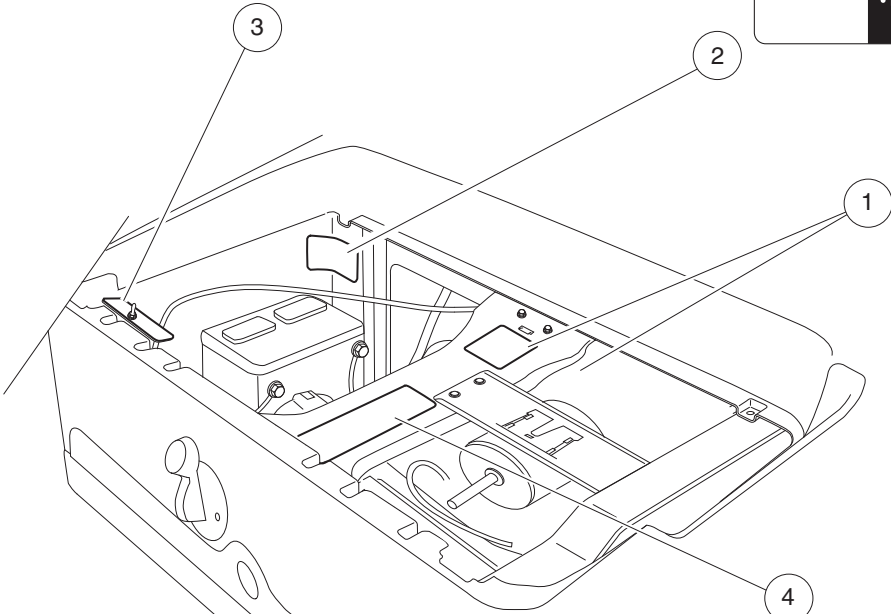
CC1 103205501

**WARNING**

**BATTERY EXPLOSION / FIRE CAN CAUSE SEVERE INJURY**

- Do not contact positive (+) battery post or cable to frame.
- Disconnect negative (-) cable first.
- Negative (-) frame ground.

CC1 102517901



**WARNING**

**CAN CAUSE SEVERE INJURY**

**Rotating parts**

**HOT manifold & muffler**

**KEEP CLEAR**

101960501

**WARNING**

**GASOLINE EXPLOSION / FIRE CAN CAUSE SERIOUS INJURY OR DEATH**

- No sparks or open flame near fuel or fuel tank.
- No smoking near fuel or fuel tank.
- Stop engine and allow to cool before refueling.
- Do not disconnect pressurized fuel lines.

**EXCESSIVE SPEED CAN CAUSE SERIOUS INJURY OR DEATH**

- Do not tamper with engine governor adjustment.

105067501

CE

3106

## DECALS – SUBARU EX40 GAS VEHICLE, PAGE 2 OF 3

ITEM	PART NO.	DESCRIPTION	QTY
		1 2 3 4	
1	101960501	Decal, Rotating Parts/Hot Manifold .....	2
2	102517901	Decal, Warning - Frame Ground .....	1
3	103205501	Decal, Run/Service Switch .....	1
4	105067501	Decal, Warn - Gas/gov Prec .....	1
<p style="text-align: center;">Note: Item 1 is located on bucket brace and starter/generator.</p>			

3

G

E



3105



## DECALS – SUBARU EX40 GAS VEHICLE, PAGE 3 OF 3

ITEM	PART NO.	DESCRIPTION	QTY
1	105070501	1 2 3 4 Decal, Gas, Rotating Parts/Hot Muffler, Precedent .....	1

3  
G  
E

**IMPORTANT NOTICE**

This vehicle does not conform to ANSI Z130.1 - "Standard for Golf Cars - Safety and Performance Requirements" because it is capable of speeds in excess of 15 miles per hour. Exercise caution.  
CCI 10255901

**OPERATING INSTRUCTIONS**

Before using vehicle, read owner's manual and vehicle safety warnings. Study and understand controls.

**TO OPERATE**

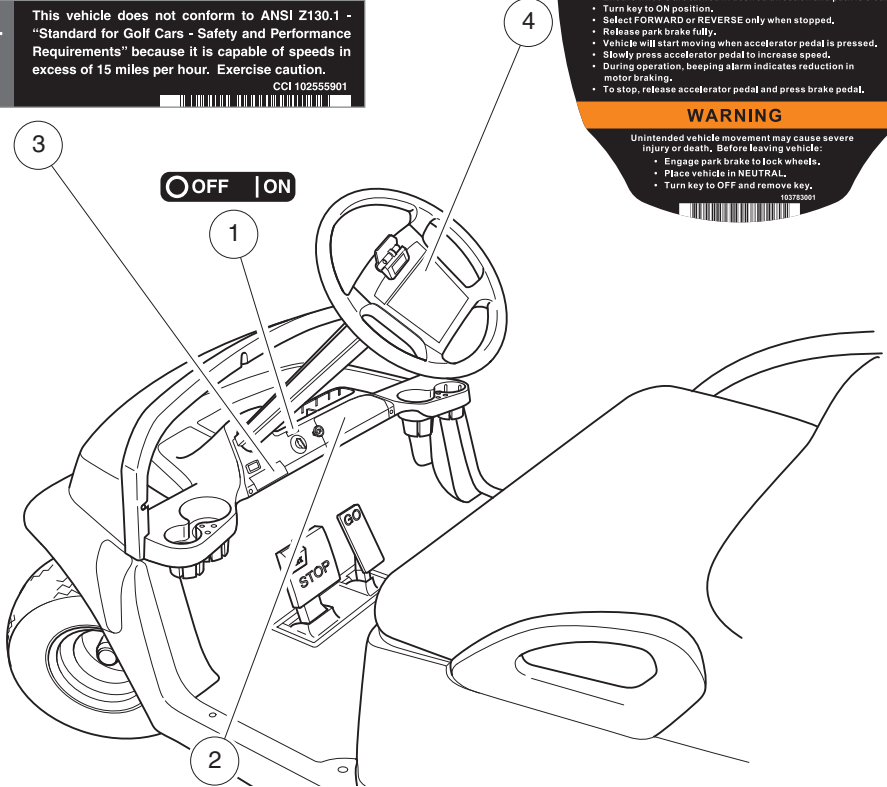
- Ensure wheels are turned in desired direction and path is clear.
- Turn key to ON position.
- Select FORWARD or REVERSE only when stopped.
- Release park brake fully.
- Vehicle will start moving when accelerator pedal is pressed.
- Slowly press accelerator pedal to increase speed.
- During operation, beeping alarm indicates reduction in motor braking.
- To stop, release accelerator pedal and press brake pedal.

**WARNING**

Unintended vehicle movement may cause severe injury or death. Before leaving vehicle:

- Engage park brake to lock wheels.
- Place vehicle in NEUTRAL.
- Turn key to OFF and remove key.

10373301



**⚠ WARNING**

**ROLLOVER OR FALLING OFF MAY CAUSE SERIOUS INJURY OR DEATH.**

- Before using vehicle, read operating instructions.
- Do not start vehicle until all occupants are seated.
- Keep entire body inside vehicle while moving.
- Drive slowly in turns and straight up and down slopes.
- Use brakes to reduce speed when coasting downhill.
- Never operate under the influence of alcohol or drugs.
- For use by authorized persons in designated areas only.
- Remain seated while moving.
- Operate from driver side only.
- Never operate on public roads.
- Hold on to seat handle while moving.
- Two (2) persons per seat maximum.
- Never stand in front of or behind vehicle.
- Do not leave children unattended on vehicle.

CCI 102519301

000441-010

## DECALS – ELECTRIC VEHICLE, PAGE 1 OF 2

ITEM	PART NO.	DESCRIPTION	QTY
		1 2 3 4	
1	101825101	Decal, Off/On .....	1
2	102519301	Decal, Warning, Rollover .....	1
3	102555901	Decal, Private Speed, Prec .....	1
4	103783001	Decal, Op Instr, Ele .....	1

3  
G  
E

**WARNING**

**BATTERY EXPLOSION COULD RESULT IN SEVERE PERSONAL INJURY**

- Place Run/Tow switch in TOW position before performing any of the following:
  - Disconnecting or connecting battery cables
  - Towing this vehicle
  - Extended storage
  - Servicing the vehicle
- Do not store items in battery compartment.
- Keep electronic components dry.
- Do not operate vehicle without this plate properly installed.
- See vehicle service manual before servicing.

**RUN**

**TOW**

CCI 103384801

**CAUTION EXPOSURE TO WATER MAY DAMAGE ELECTRONIC COMPONENTS**

- Do not direct water stream in the area of this plate.
- See vehicle service manual before servicing.

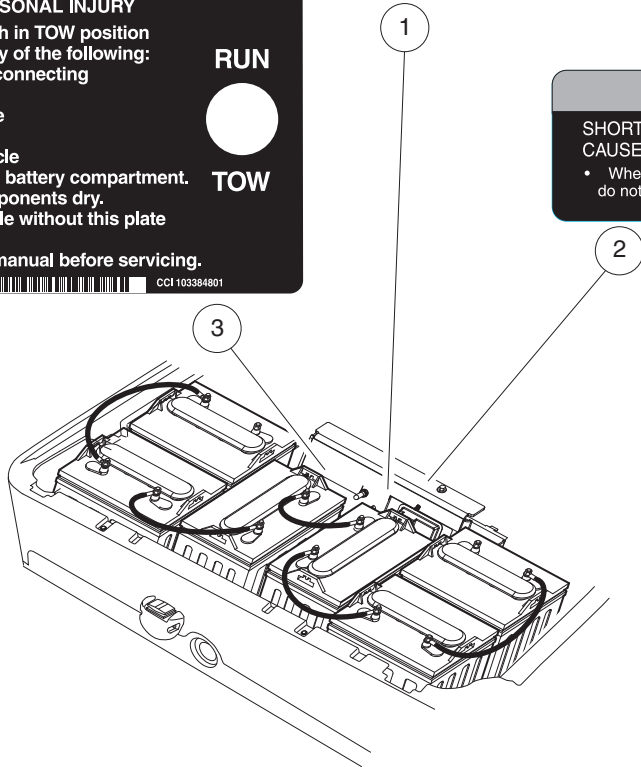
CCI 103384601

**WARNING**

**SHORTING OF BATTERY TERMINALS CAN CAUSE PERSONAL INJURY OR DEATH.**

- When removing component mounting plate, do not place plate directly on top of batteries.

103384701



000441-011

## DECALS – ELECTRIC VEHICLE, PAGE 2 OF 2

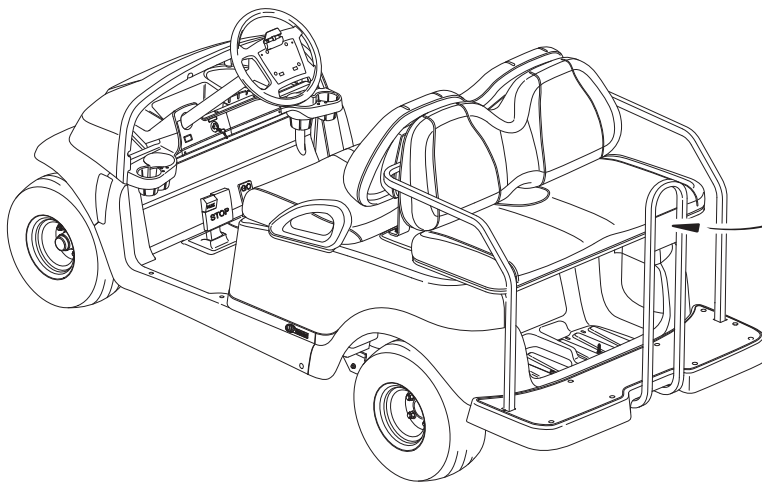
ITEM	PART NO.	DESCRIPTION	QTY
1	103384601	1 2 3 4 Decal-water Exposure .....	1
2	103384701	Decal-warning, Short .....	1
3	103384801	Decal-warning, Run Tow .....	1

3  
G  
E

3

G

E



**⚠ WARNING**

**FALLING OFF COULD RESULT  
IN SEVERE INJURY OR DEATH**

- Remain seated with entire body inside vehicle and hold on to seat handle or handrail at all times.
- Two (2) persons per bench seat maximum.
- One (1) person per bucket seat maximum.
- Do not leave children unattended on vehicle at anytime.
- Never stand in front of or behind vehicle.

CCI 101705701



000495-001

# DECAL – PRECEDENT VILLAGER 4

ITEM	PART NO.	DESCRIPTION	QTY
1	101705701	1 2 3 4 Decal, Warning .....	4

3  
G  
E

**3**

***G***

***E***



# LIGHTS, CONTROLS AND INDICATORS

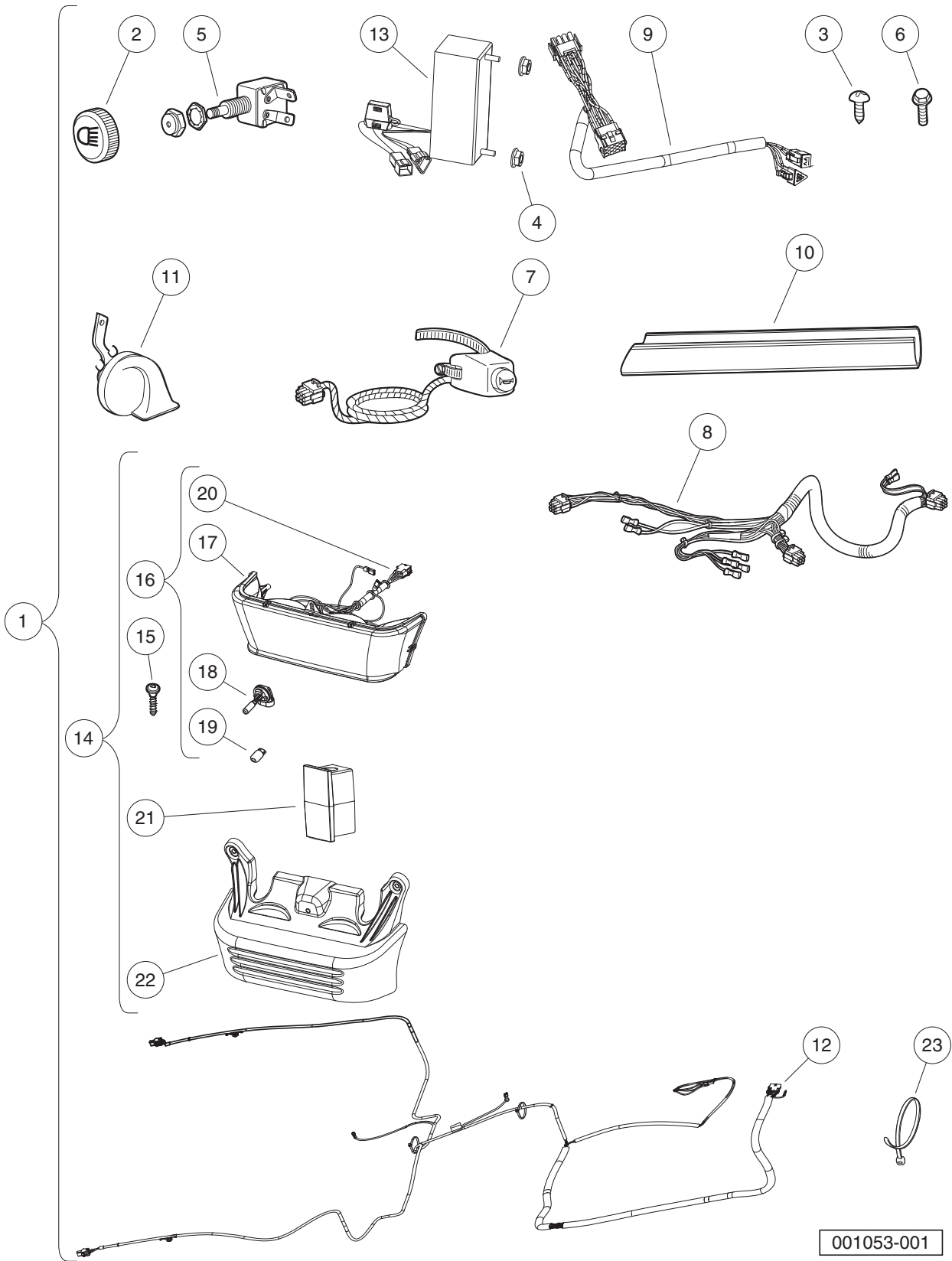
---

4

G

E

**4**  
**G**  
**E**



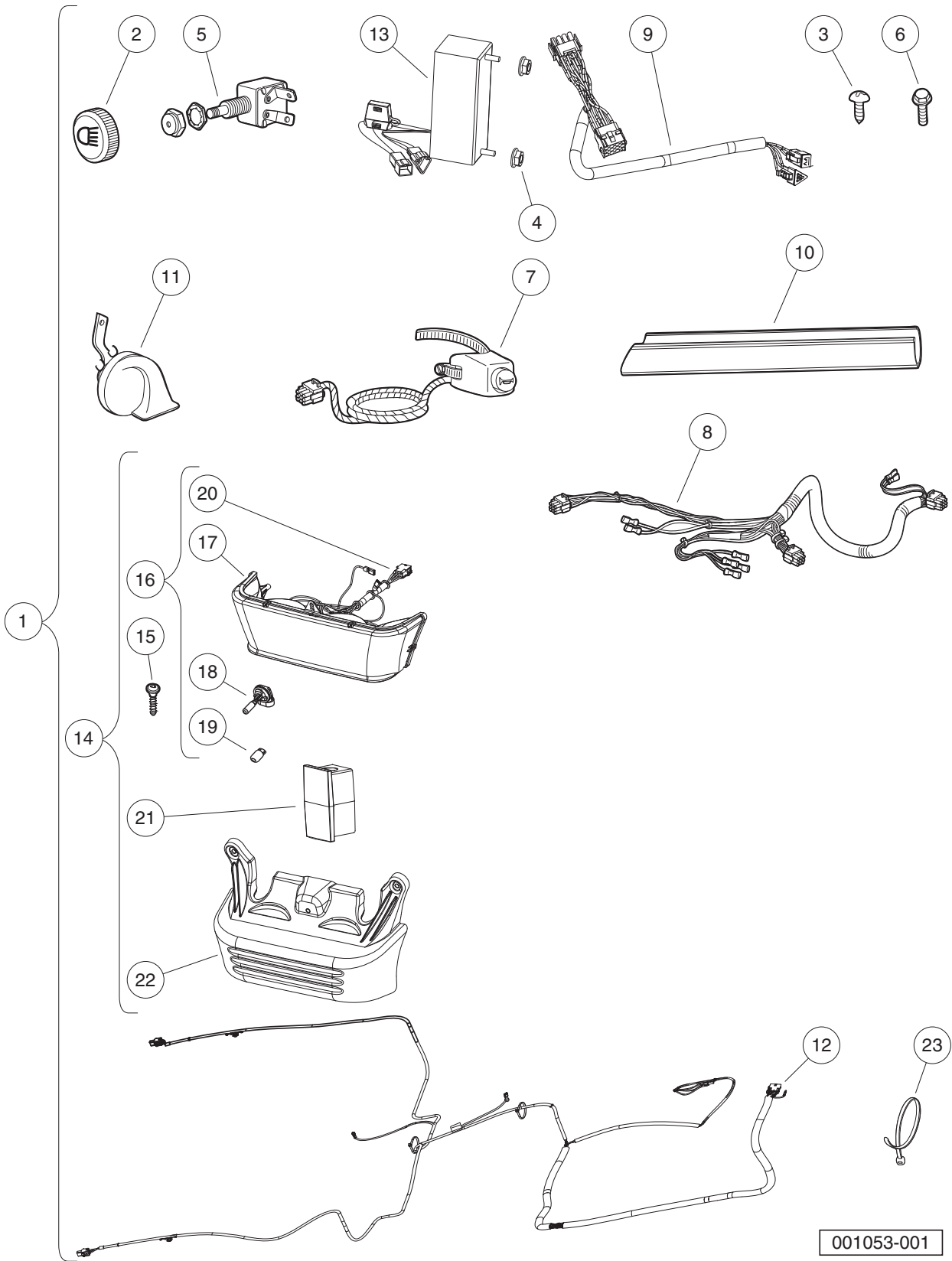
001053-001

# HEADLIGHTS ONLY – PRECEDENT

ITEM	PART NO.	DESCRIPTION	QTY
		<b>1 2 3 4</b>	
1	105142601	Kit, Hdlt's Only, Prec, Hfc (includes items 2 through 23) .....	1
2	1013857	Knob, Light Switch .....	1
3	1016849	Screw, #4-24 X 0.33, Pan-Head, Machine .....	2
4	101835601	Locknut, 1/4-20 Hex Whiz .....	2
5	102051901	Switch, Light .....	1
6	102298720	Screw, M8-1.25x20, TapTite .....	1
7	102517601	Subasm, Horn Button Harness .....	1
8	102527801	Ip Lighting Harness, Elec .....	1
9	102528101	Dc-dc Convert Harness, Prec .....	1
10	102529201	Wire Cover, Steering Column .....	1
11	102535401	Horn .....	1
12	103375901	Prec Light Harn Restyle .....	1
13	103700302	Converter, Dc/dc, Isoltd, Prec .....	1
14	103933902	Kit, Bumper W/light (includes items 15 through 22) .....	1
15	102296020	Screw, Torx Pan Hd Pt, M6 X 20 .....	3
16	102544301	Headlight Asm, Prec (includes items 17 through 20) .....	1
17	102528701	Headlight, Lens/reflector .....	1
18	102535101	Bulb, Headlight, 37.5 W .....	2
19	102535201	Front Turn Signal Bulb .....	2
20	102535301	Headlight, Harness, Prec .....	1
21	103325001	Plug, Shock, Precedent Bumper .....	2
22	103923601	Bumper, Prec Fleet, W/light .....	1
23	8990	Tie Wrap, 8" Nylon .....	4

**4**  
**G**  
**E**

**4**  
**G**  
**E**



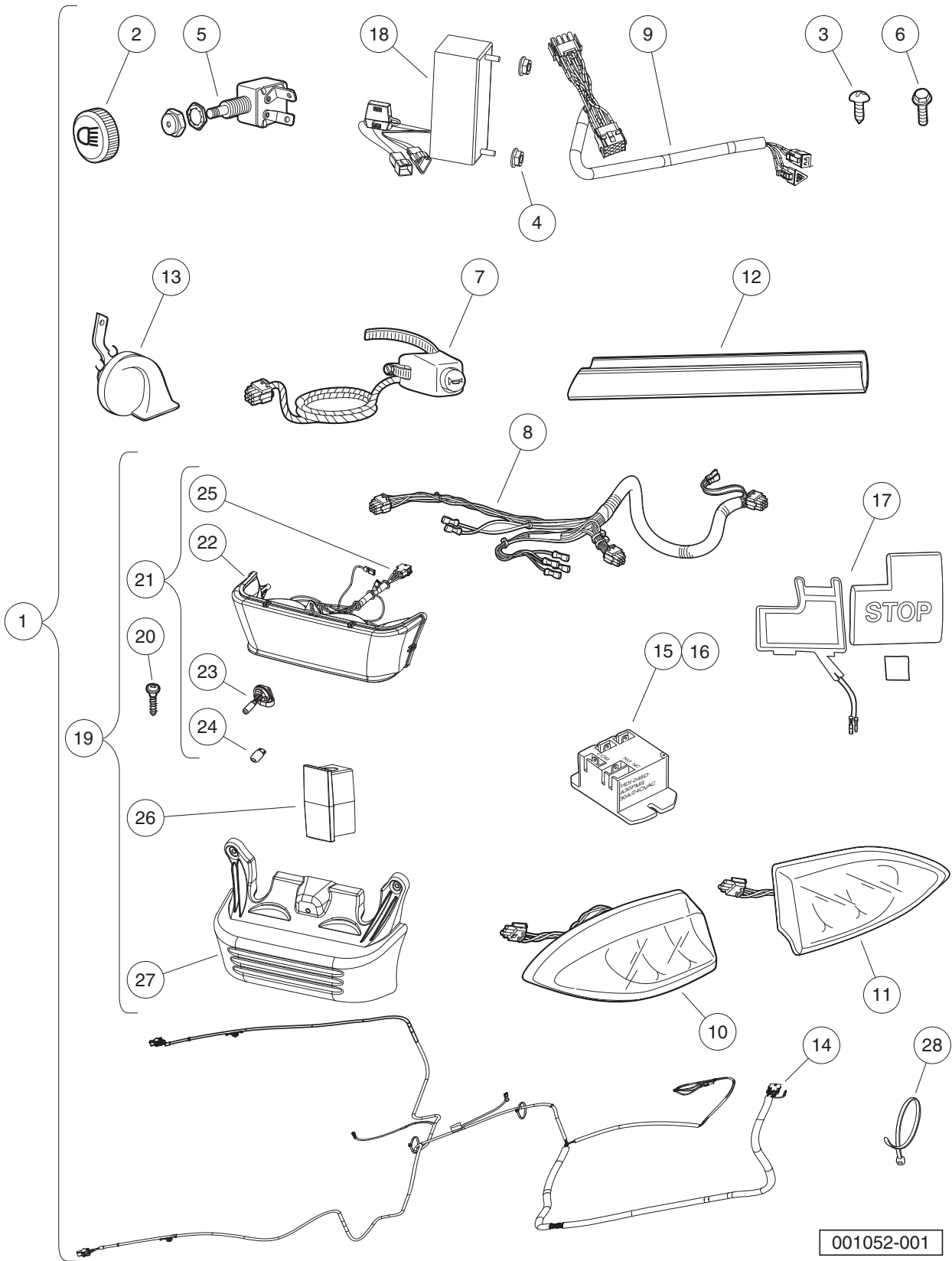
001053-001

## HEADLIGHTS ONLY (CE) – PRECEDENT

ITEM	PART NO.	DESCRIPTION	QTY
		<b>1 2 3 4</b>	
1	105142602	Kit, Hdlt's Only, Prec, Hfc, Ce (includes items 2 through 23) .....	1
2	1013857	Knob, Light Switch .....	1
3	1016849	Screw, #4-24 X 0.33, Pan-Head, Machine .....	2
4	101835601	Locknut, 1/4-20 Hex Whiz .....	2
5	102051901	Switch, Light .....	1
6	102298720	Screw, M8-1.25x20, Taptite .....	1
7	102517601	Subasm, Horn Button Harness .....	1
8	102527801	Ip Lighting Harness, Elec .....	1
9	102528101	Dc-dc Convert Harness, Prec .....	1
10	102529201	Wire Cover, Steering Column .....	1
11	102535401	Horn .....	1
12	103375901	Prec Light Harn Restyle .....	1
13	103802402	Converter, Dc/dc, Ce, Prec .....	1
14	103933902	Kit, Bumper W/light (includes items 15 through 22) .....	1
15	102296020	Screw, Torx Pan Hd Pt, M6 X 20 .....	3
16	102544301	Headlight Asm, Prec (includes items 17 through 20) .....	1
17	102528701	Headlight, Lens/reflector .....	1
18	102535101	Bulb, Headlight, 37.5 W .....	2
19	102535201	Front Turn Signal Bulb .....	2
20	102535301	Headlight, Harness, Prec .....	1
21	103325001	Plug, Shock, Precedent Bumper .....	2
22	103923601	Bumper, Prec Fleet, W/light .....	1
23	8990	Tie Wrap, 8" Nylon .....	4

**4**  
**G**  
**E**

**4**  
**G**  
**E**

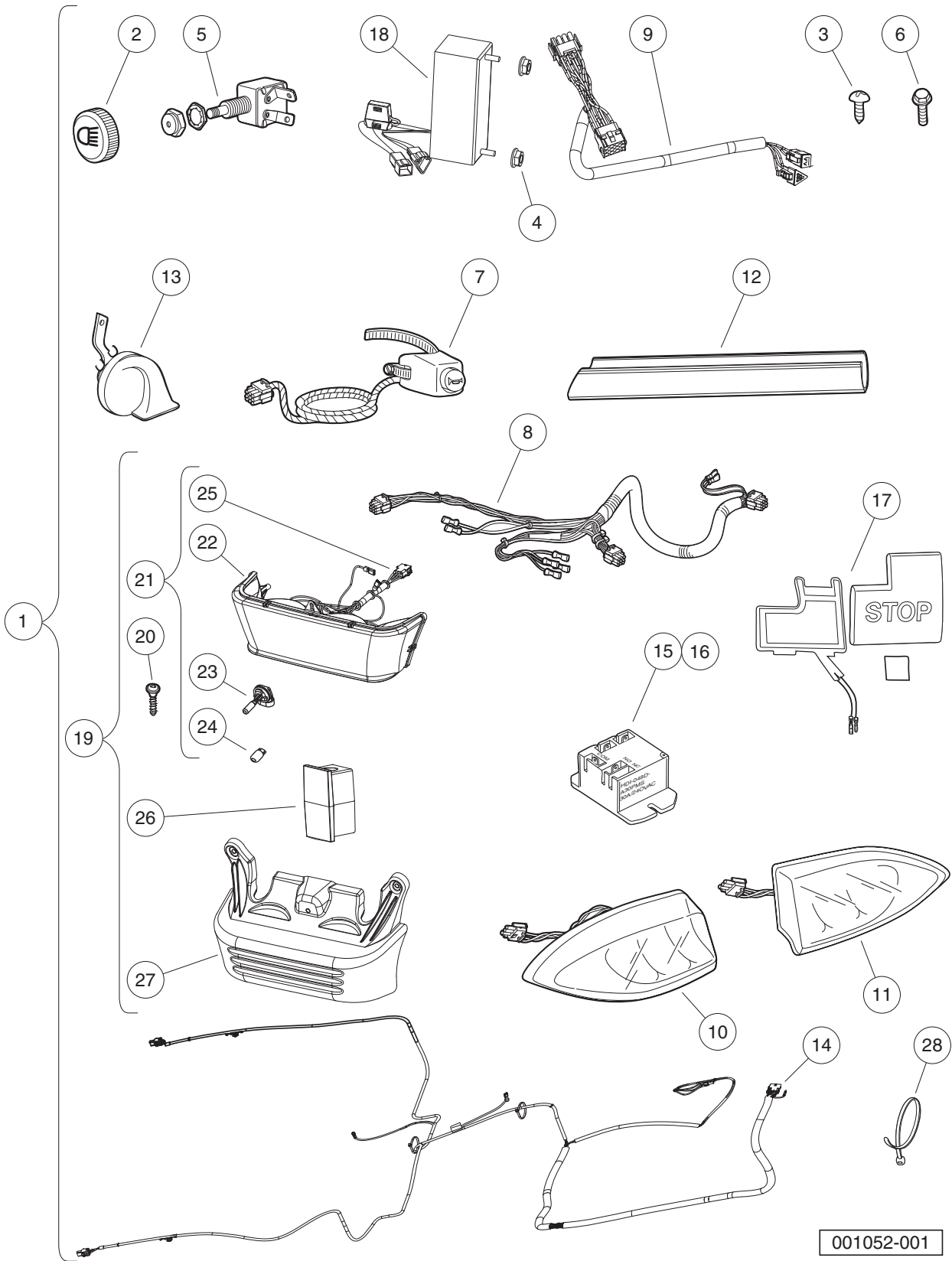


# HEADLIGHTS, HORN AND TAILLIGHTS – PRECEDENT

ITEM	PART NO.	DESCRIPTION	QTY
		1 2 3 4	
1	105142501	Kit, Std Lights, Prec, Hfc (includes items 2 through 28) .....	1
2	1013857	Knob, Light Switch .....	1
3	1016849	Screw, #4-24 X 0.33, Pan-Head, Machine .....	2
4	101835601	Locknut, 1/4-20 Hex Whiz .....	2
5	102051901	Switch, Light .....	1
6	102298720	Screw, M8-1.25x20, Taptite .....	1
7	102517601	Subasm, Horn Button Harness .....	1
8	102527801	Ip Lighting Harness, Elec .....	1
9	102528101	Dc-dc Convert Harness, Prec .....	1
10	102528901	Taillight Asm, Lh, Prec .....	1
11	102529001	Taillight Asm, Rh, Prec .....	1
12	102529201	Wire Cover, Steering Column .....	1
13	102535401	Horn .....	1
14	103375901	Prec Light Harn Restyle .....	1
15	103414901	Kit, Relay, 48v 30a W/instr (includes item 16) .....	1
16	103397901	Relay, Spst No, 48v 30a, Pmt .....	1
17	103597101	Kit, Brake Light Switch .....	1
18	103700302	Converter, Dc/dc, Isoltd, Prec .....	1
19	103933902	Kit, Bumper W/light (includes items 20 through 27) .....	1
20	102296020	Screw, Torx Pan Hd Pt, M6 X 20 .....	3
21	102544301	Headlight Asm, Prec (includes items 22 through 25) .....	1
22	102528701	Headlight, Lens/reflector .....	1
23	102535101	Bulb, Headlight, 37.5 W .....	2
24	102535201	Front Turn Signal Bulb .....	2
25	102535301	Headlight, Harness, Prec .....	1
26	103325001	Plug, Shock, Precedent Bumper .....	2
27	103923601	Bumper, Prec Fleet, W/light .....	1
28	8990	Tie Wrap, 8" Nylon .....	4

**4**  
**G**  
**E**

**4**  
**G**  
**E**



001052-001

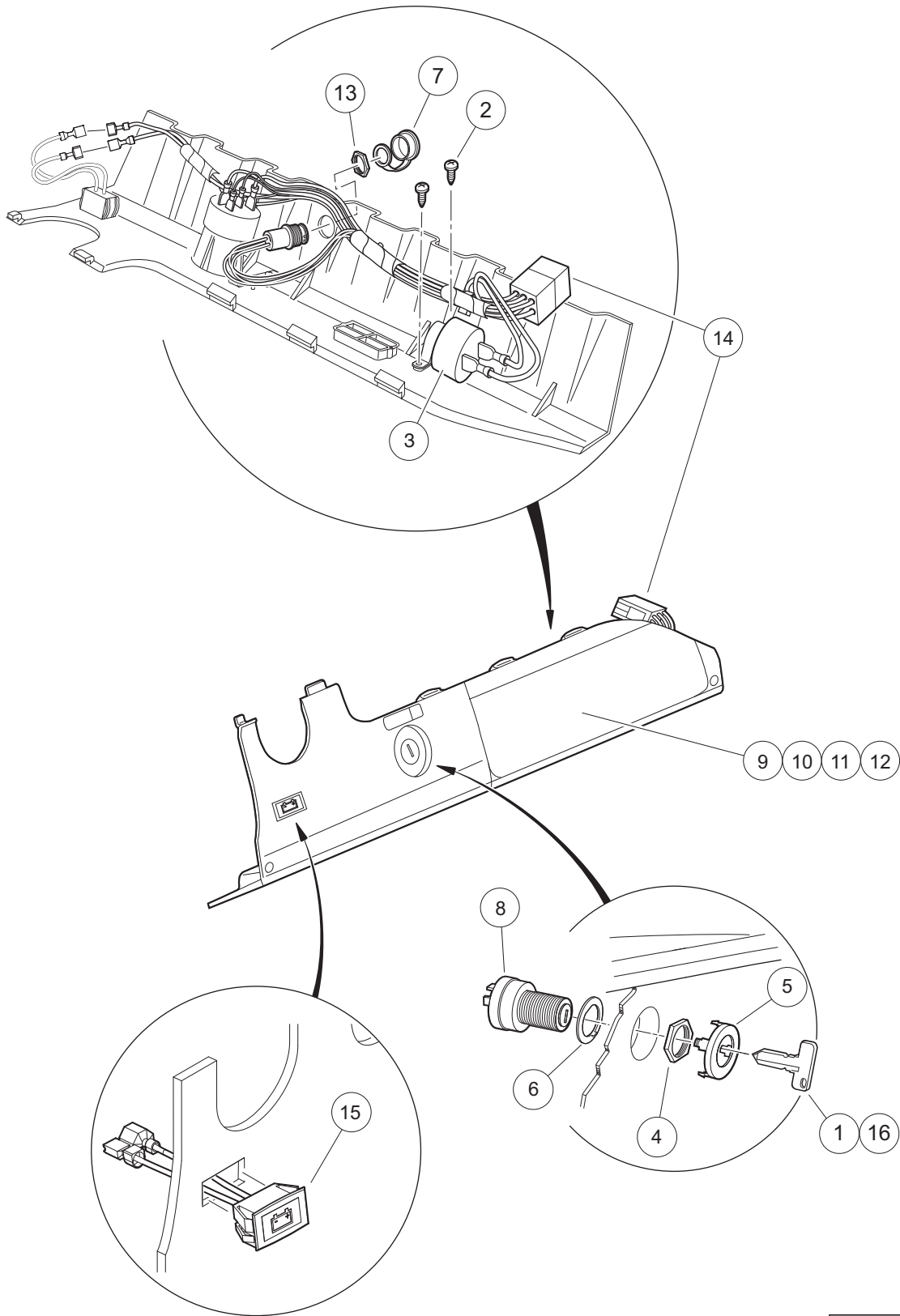


# HEADLIGHTS, HORN AND TAILLIGHTS (CE) – PRECEDENT

ITEM	PART NO.	DESCRIPTION	QTY
		1 2 3 4	
1	105142502	Kit, Std Lights, Prec, Hfc, Ce (includes items 2 through 28) .....	1
2	1013857	Knob, Light Switch .....	1
3	1016849	Screw, #4-24 X 0.33, Pan-Head, Machine .....	2
4	101835601	Locknut, 1/4-20 Hex Whiz .....	2
5	102051901	Switch, Light .....	1
6	102298720	Screw, M8-1.25x20, Taptite .....	1
7	102517601	Subasm, Horn Button Harness .....	1
8	102527801	Ip Lighting Harness, Elec .....	1
9	102528101	Dc-dc Convert Harness, Prec .....	1
10	102528901	Taillight Asm, Lh, Prec .....	1
11	102529001	Taillight Asm, Rh, Prec .....	1
12	102529201	Wire Cover, Steering Column .....	1
13	102535401	Horn .....	1
14	103375901	Prec Light Harn Restyle .....	1
15	103414901	Kit, Relay, 48v 30a W/instr (includes item 16) .....	1
16	103397901	Relay, Spst No, 48v 30a, Pmt .....	1
17	103597101	Kit, Brake Light Switch .....	1
18	103802402	Converter, Dc/dc, Ce, Prec .....	1
19	103933902	Kit, Bumper W/light (includes items 20 through 27) .....	1
20	102296020	Screw, Torx Pan Hd Pt, M6 X 20 .....	3
21	102544301	Headlight Asm, Prec (includes items 22 through 25) .....	1
22	102528701	Headlight, Lens/reflector .....	1
23	102535101	Bulb, Headlight, 37.5 W .....	2
24	102535201	Front Turn Signal Bulb .....	2
25	102535301	Headlight, Harness, Prec .....	1
26	103325001	Plug, Shock, Precedent Bumper .....	2
27	103923601	Bumper, Prec Fleet, W/light .....	1
28	8990	Tie Wrap, 8" Nylon .....	4

**4**  
**G**  
**E**

**4**  
**G**  
**E**



000490-004

# INSTRUMENT PANEL – ELECTRIC VEHICLE WITH ERIC CHARGER

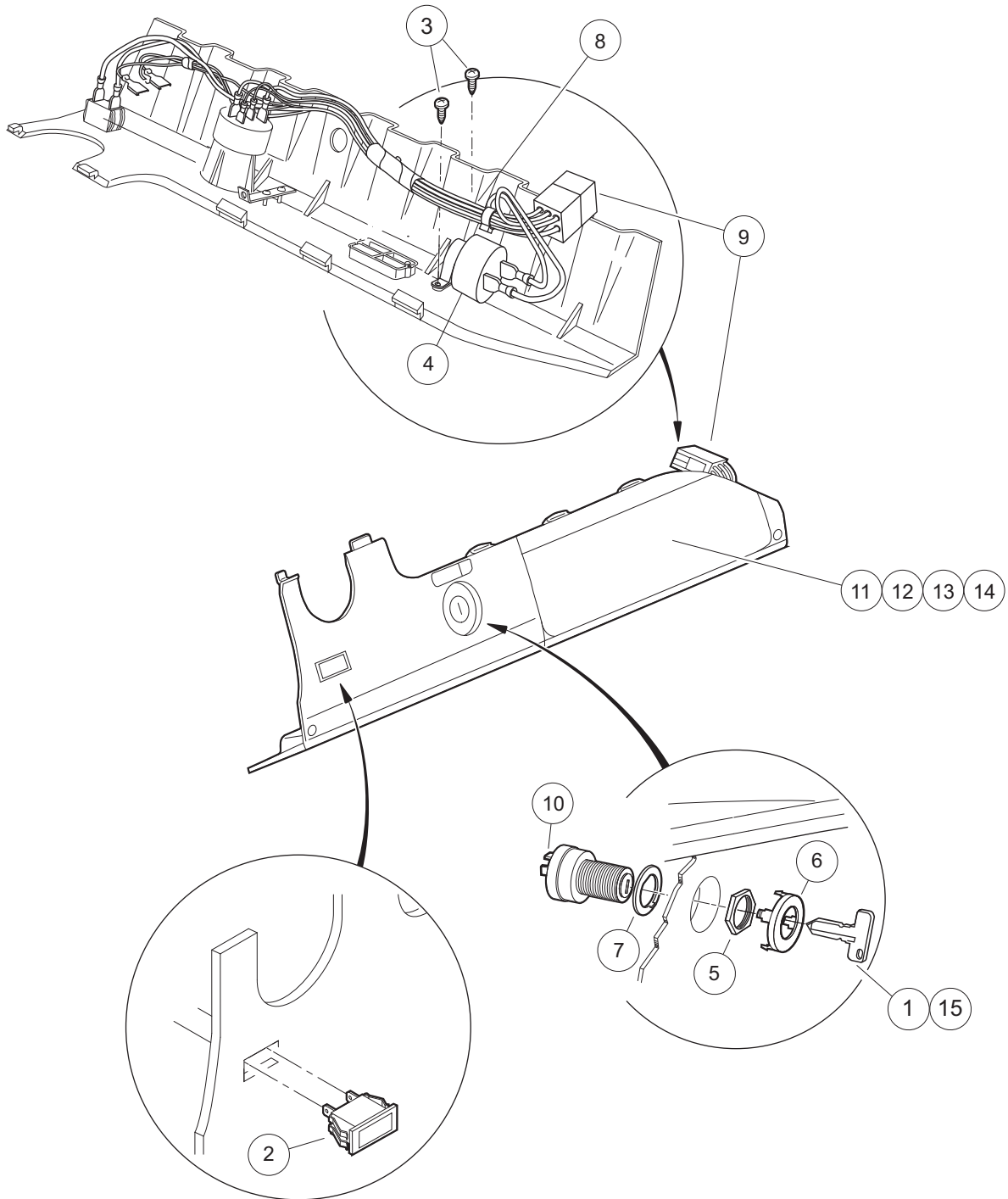
ITEM	PART NO.	DESCRIPTION	QTY
		1 2 3 4	
1	1012505	Keys (set of 2) .....	1
2	1016849	Screw, #4-24 X 0.33, Pan-Head, Machine .....	2
3	1016851	Buzzer, Reverse (9-48 VDC) .....	1
4	101830701	Nut, Key Switch .....	1
5	101834502	Cap, Black Key Switch .....	1
6	101851101	Washer, Key Switch .....	1
7	102196901	Dust Cap .....	1
8	102508601	Key Switch, Electric .....	1
9	102522901	Instrument Panel (standard) .....	1
10	102536601	Instrument Panel (with Hole for Headlight Switch) .....	1
11	102536603	Instrument Panel (with Hole for Battery Condition Indicator) .....	1
12	102536605	Instrument Panel (with Hole for Headlight Switch and Battery Condition Indicator) .....	1
13	102572401	Nut, Diagnostic Port, Prec .....	1
14	103991501	Harness, Wire, Instrument Panel, Prec w/Hi-Freq .....	1
15	103993901	Light, Charge Indicator .....	1
16	AM10079	Bulk Std Keys (50) * .....	1
		* Note: Must order in multiples of 50.	

4

G

E

**4**  
**G**  
**E**



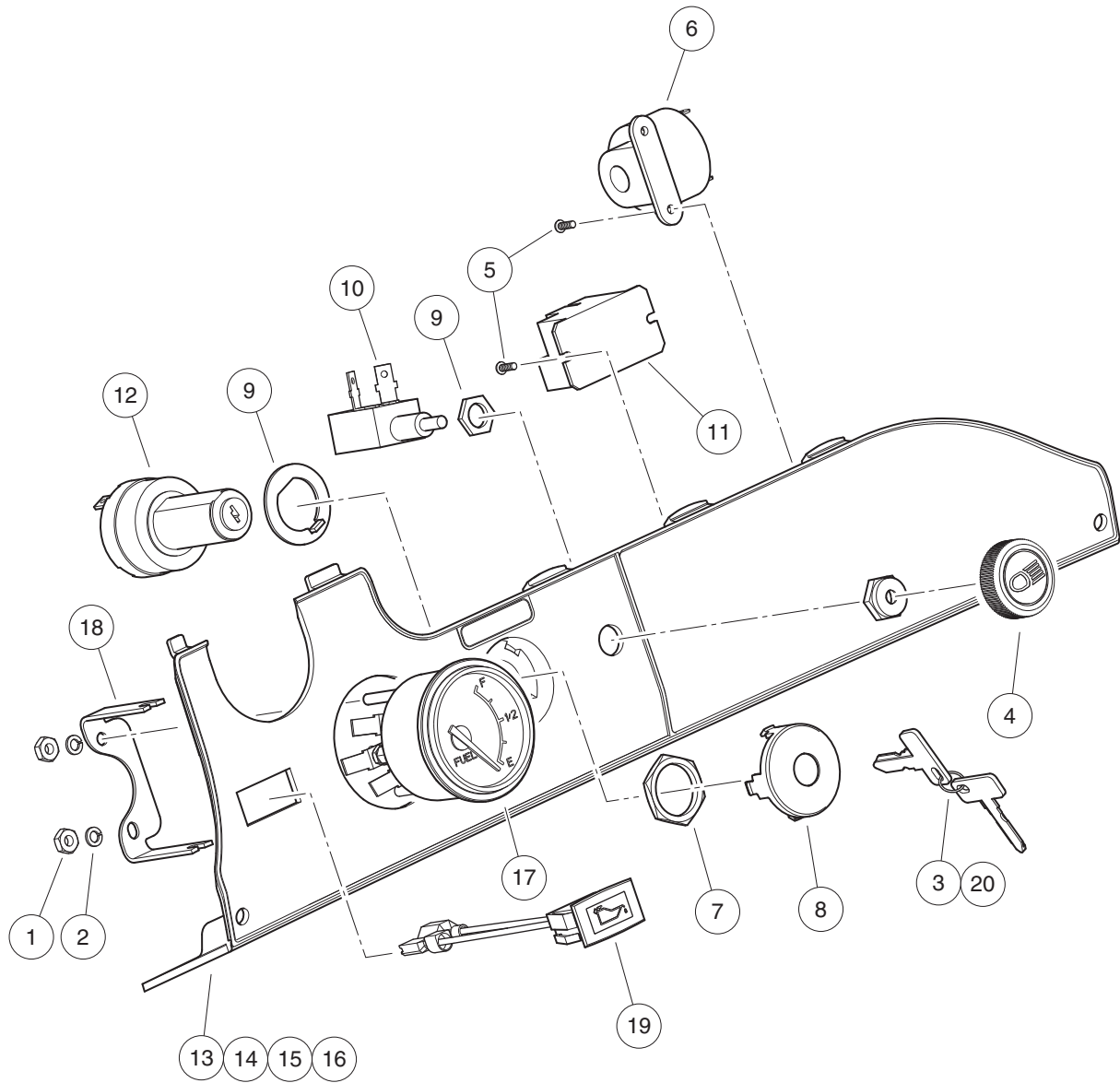
000490-003

## INSTRUMENT PANEL – KAW. FE350 GAS VEHICLE

ITEM	PART NO.	DESCRIPTION	QTY
		1 2 3 4	
1	1012505	Keys (set of 2) .....	1
2	1016630	Light, Oil .....	1
3	1016849	Screw, #4-24 X 0.33, Pan-Head, Machine .....	2
4	1016851	Buzzer, Reverse (9-48 VDC) .....	1
5	101830701	Nut, Key Switch .....	1
6	101834502	Cap, Black Key Switch .....	1
7	101851101	Washer, Key Switch .....	1
8	102515001	Ip Control Harness, Gas (includes item 9) .....	1
9	N/A	Connector, Plug 9-pin .....	1
10	102515101	Key Switch, Gas, Prec .....	1
11	102522901	Instrument Panel (standard) .....	1
12	102536601	Instrument Panel (with Hole for Headlight Switch) .....	1
13	102536602	Instrument Panel (with Hole for Fuel Gauge) .....	1
14	102536604	Instrument Panel (with Hole for Headlight Switch and Fuel Gauge) .....	1
15	AM10079	Bulk Std Keys (50) * .....	1
		* Note: Must order in multiples of 50.	

4  
G  
E

**4**  
**G**  
**E**



000986-001

## INSTRUMENT PANEL – SUBARU EX40 GAS VEHICLE

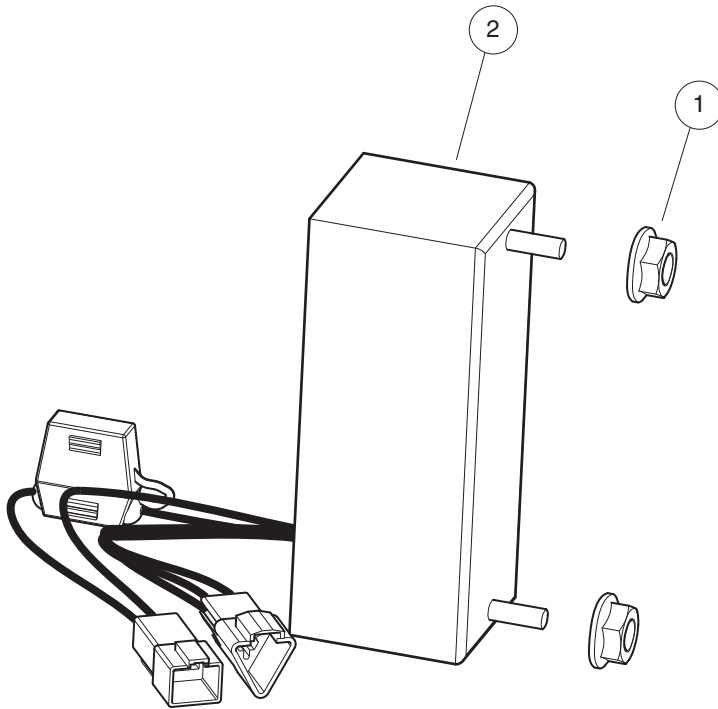
ITEM	PART NO.	DESCRIPTION	QTY
		1 2 3 4	
1	1011571	Nut, #8-32 Hex .....	2
2	1011610	Lockwasher, #8 Split SS .....	2
3	1012505	Keys (set of 2) .....	1
4	1013857	Knob, Light Switch .....	1
5	1016849	Screw, #4-24 X 0.33, Pan-Head, Machine .....	4
6	1016851	Buzzer, Reverse (9-48 VDC) .....	1
7	101830701	Nut, Key Switch .....	1
8	101834502	Cap, Black Key Switch .....	1
9	101851101	Washer, Key Switch .....	1
10	102051901	Switch, Light .....	1
11	102199001	Relay, 12-Volt .....	1
12	102515101	Key Switch, Gas, Prec .....	1
13	102522901	Instrument Panel (standard) .....	1
14	102536601	Instrument Panel (with Hole for Headlight Switch) .....	1
15	102536602	Instrument Panel (with Hole for Fuel Gauge) .....	1
16	102536604	Instrument Panel (with Hole for Headlight Switch and Fuel Gauge) .....	1
17	103924301	Fuel Gauge, Prime .....	1
18	103924401	Bracket, Fuel Gauge, Prime .....	1
19	105037101	Light, Oil (LED) .....	1
20	AM10079	Bulk Std Keys (50) * .....	1
		* Note: Must order in multiples of 50.	

4  
G  
E

4

G

E



001054-001



## DC CONVERTER (STANDARD) – ELECTRIC VEHICLE

ITEM	PART NO.	DESCRIPTION	QTY
1	101835601	1 2 3 4 Locknut, 1/4-20 Hex Whiz .....	2
2	103700302	Converter, Dc/dc, Isoltd, Prec .....	1

4

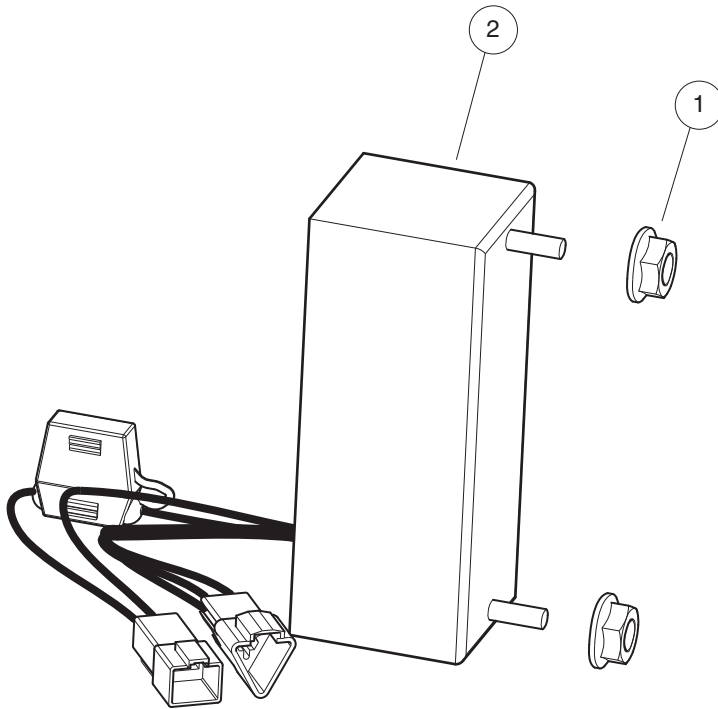
G

E

4

G

E



001054-001

# DC CONVERTER (CE) – ELECTRIC VEHICLE

ITEM	PART NO.	DESCRIPTION	QTY
1	101835601	Locknut, 1/4-20 Hex Whiz .....	2
2	103802402	Converter, Dc/dc, Ce, Prec .....	1

4

G

E

**4**

**G**

**E**

# BRAKES AND PEDAL GROUP ASSEMBLIES

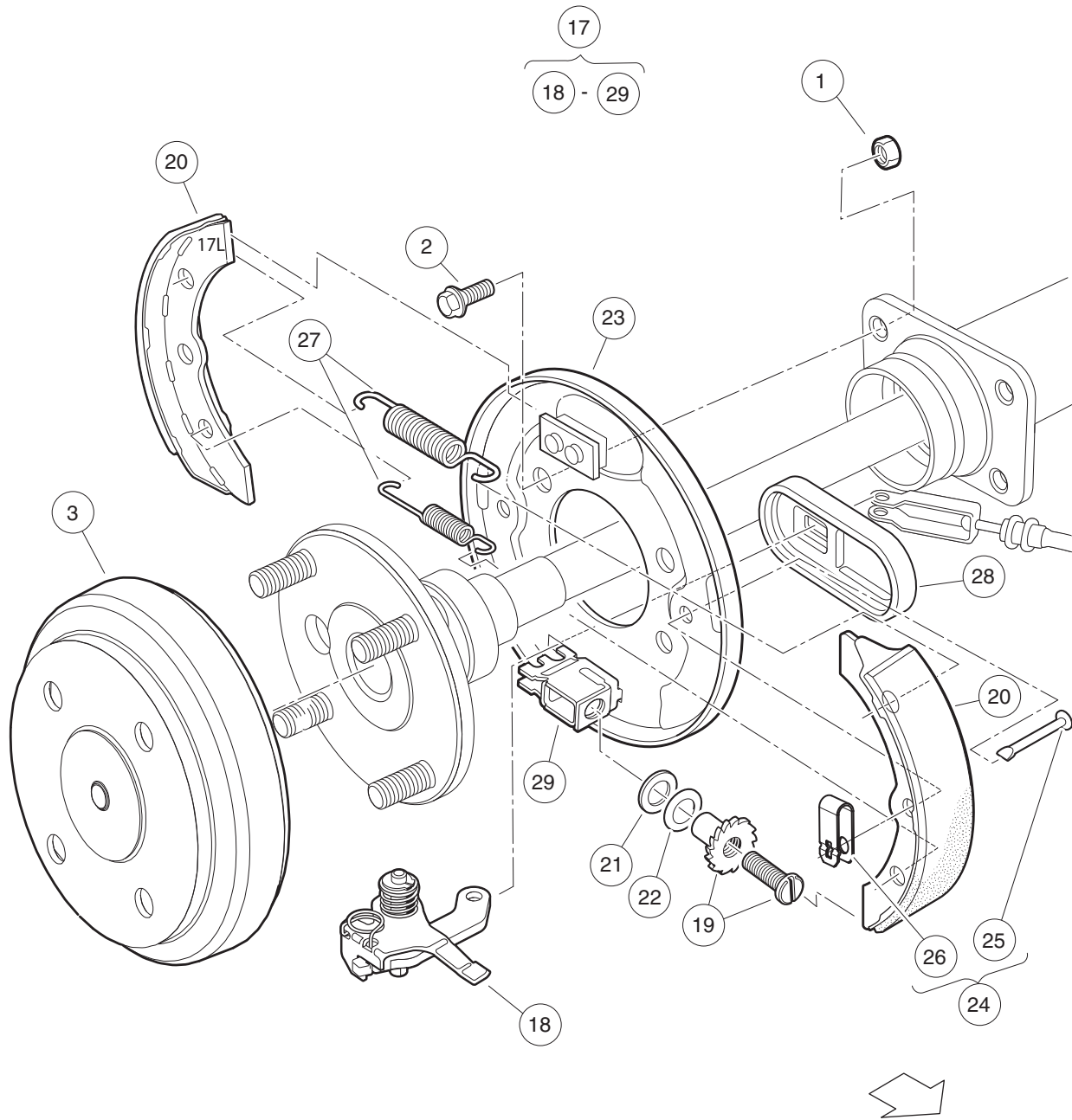
---

**5**

**G**

**E**

**5**  
**G**  
**E**



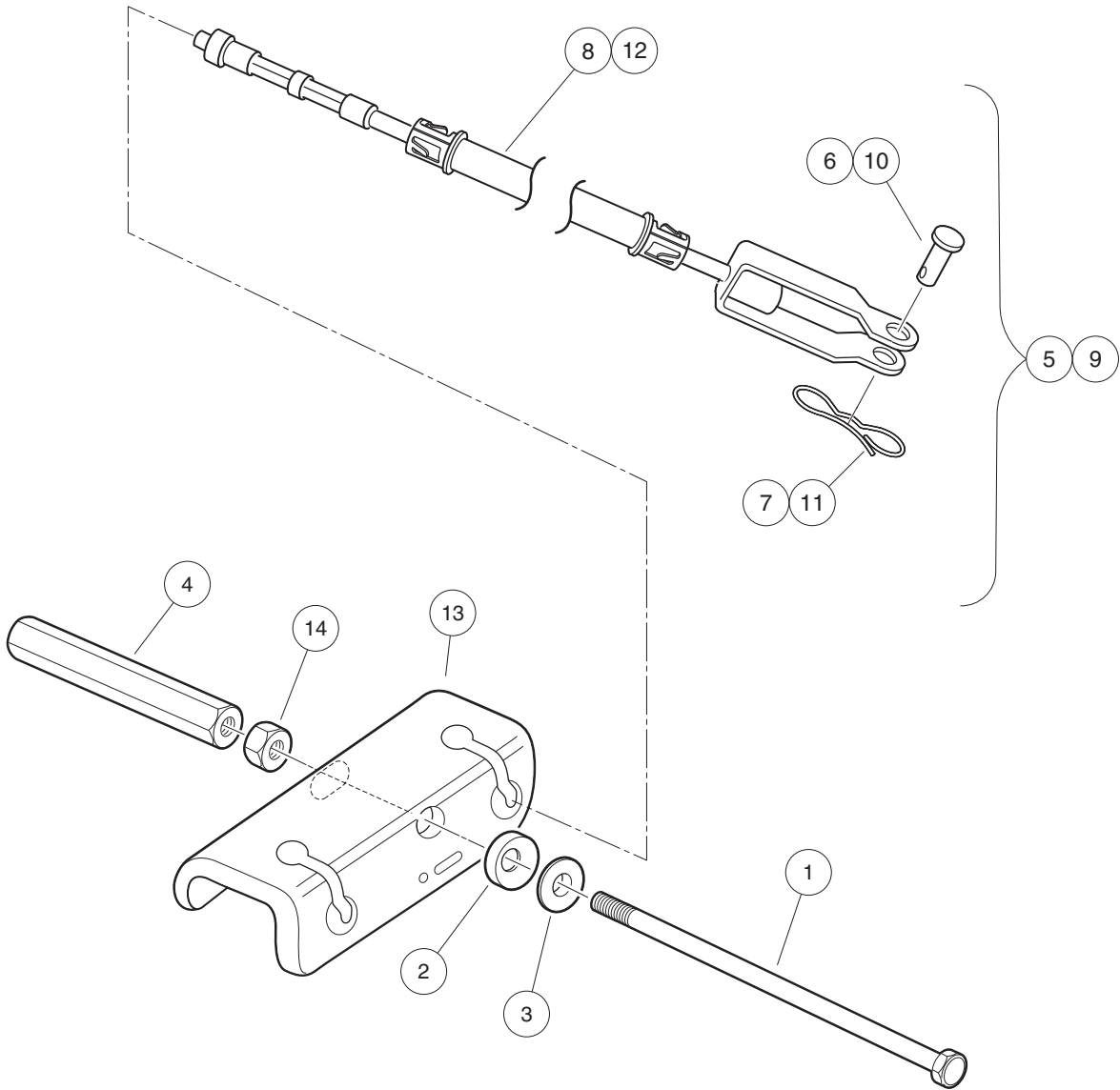
000186-004

# REAR BRAKE ASSEMBLY, SELF-ADJUSTING

ITEM	PART NO.	DESCRIPTION	QTY
		<b>1 2 3 4</b>	
1	1013924	Nut, 5/16-24, Hex Head Cone .....	8
2	1014153	Bolt, Brake Cluster Mounting .....	8
3	101791101	Drum without Center Hole, Brake .....	2
4	103380201	Asm, Brake Cluster, Mech, Drvr (includes items 5 through 16) .....	1
5	101815502	Lever Assembly, Self-Adjusting Brake, Left .....	1
6	101816502	Adjusting Mechanism, Self-Adjusting Brake, Left .....	1
7	101823201	Package, Brake Shoe, Self-Adjusting .....	1
8	101823801	Plate, Washer, Brake, Self-Adjusting .....	1
9	101823901	Washer, Brake, Self-Adjusting .....	1
10	103483102	Back Plate, Lh .....	1
11	103483201	Kit, Shoe Retainer (includes items 12 and 13) .....	1
12	N/A	Pin .....	2
13	N/A	Spring, Shoe, Clamp .....	2
14	103483401	Package Brake Spring Self Adj .....	1
15	103483601	Cover, Dust .....	1
16	103483701	Brake Block .....	1
17	103380202	Asm, Brake Cluster, Mech, Pass (includes items 18 through 29) .....	1
18	101815501	Lever Assembly, Self-Adjusting Brake, Right (Passenger) .....	1
19	101816501	Adj Mechanism, S.A. Brakes, Right (Passenger) .....	1
20	101823201	Package, Brake Shoe, Self-Adjusting .....	1
21	101823801	Plate, Washer, Brake, Self-Adjusting .....	1
22	101823901	Washer, Brake, Self-Adjusting .....	1
23	103483101	Back Plate, Rh .....	1
24	103483201	Kit, Shoe Retainer (includes items 25 and 26) .....	1
25	N/A	Pin .....	2
26	N/A	Spring, Shoe, Clamp .....	2
27	103483401	Package Brake Spring Self Adj .....	1
28	103483601	Cover, Dust .....	1
29	103483701	Brake Block .....	1
<p>Note: Driver-side brake cluster not shown. Components have a similar appearance to passenger-side brake cluster components.</p>			

**5**  
**G**  
**E**

**5**  
**G**  
**E**



000467-006

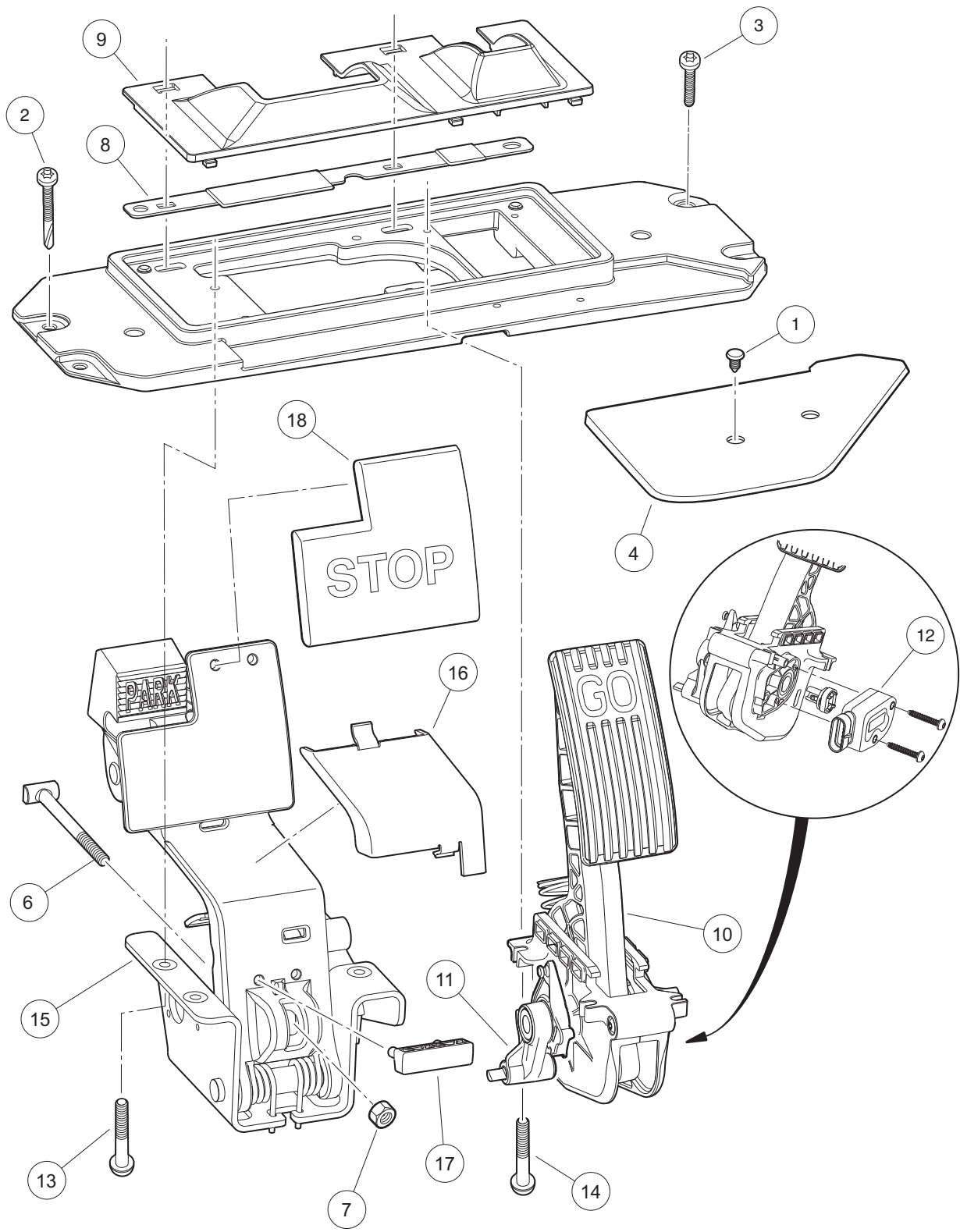


## BRAKE CABLES AND EQUALIZER BRACKET

ITEM	PART NO.	DESCRIPTION	QTY
		<b>1 2 3 4</b>	
1	102297901	Bolt, 5/16-18 X 7.375, Hex .....	1
2	102551901	Washer, 5/16, Self Comp, Cup .....	1
3	102552001	Washer, 5/16, Self Comp, Cone .....	1
4	102594301	Nut, 5/16-18, Hex Adjusting -l .....	1
5	103528701	Kit, Brake Cable, Prec, Rh (includes items 6 through 8) .....	1
6	1010829	Pin, Clevis, 5/16 X 3/4 .....	1
7	102292801	Pin, Bow Tie Locking - .072 .....	1
8	N/A	Cable, Brake, Prec, Right .....	1
9	103528702	Kit, Brake Cable, Prec, Lh (includes items 10 through 12) .....	1
10	1010829	Pin, Clevis, 5/16 X 3/4 .....	1
11	102292801	Pin, Bow Tie Locking - .072 .....	1
12	N/A	Cable, Brake, Prec, Left .....	1
13	103535001	Bracket, Equalizer, Prec Awd .....	1
14	1242	Nut, 5/16-18 Hex .....	1

**5**  
**G**  
**E**

**5**  
**G**  
**E**



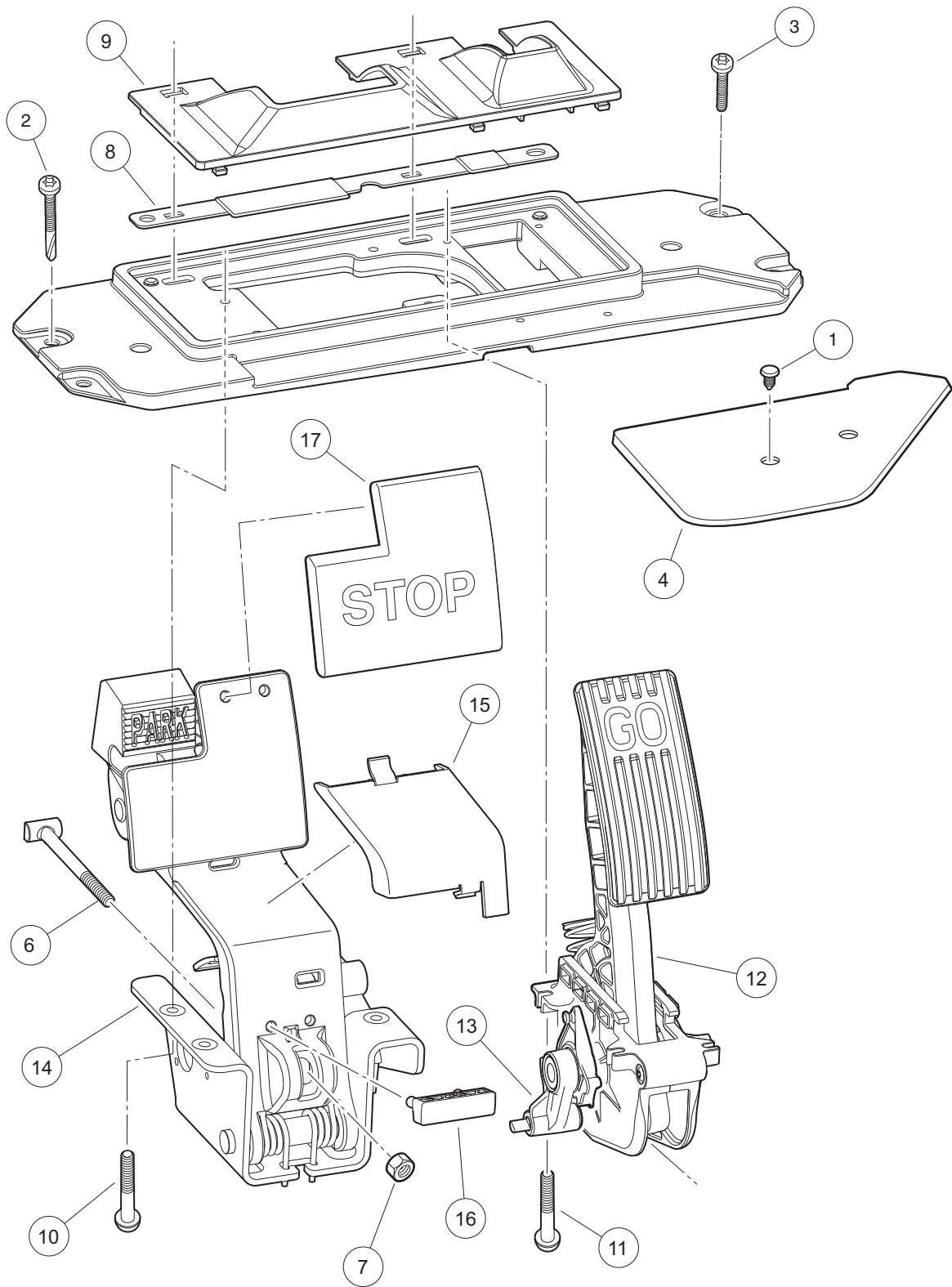
000487-015

## PEDAL GROUP WITH SENSOR – GASOLINE VEHICLE

ITEM	PART NO.	DESCRIPTION	QTY
		1 2 3 4	
1	1010434	Barrel - Plastic .....	1
2	102292201	Screw-1/4-20x2.20 Tx Pn Hd Sd .....	2
3	102298030	Screw, K80x30, Torx Pn Hd Pt .....	2
4	102500801	Plate - Floor Cover .....	1
5	103974815	Asm, Pedal Set, Anodized, Service, Gas Vehicle (includes items 6 through 15) .....	1
6	102559401	Rod, Brake .....	1
7	102559701	Nut, Brake Rod .....	1
8	102594801	Shield, Debris Aux .....	1
9	102594901	Shield, Debris Primary .....	1
10	102595502	Asm, Accel. Pedal/Throttle, Anodized, Gas Vehicle (includes items 11 and 12) .....	1
11	103777601	Asm, Park Brake Release, Anodized .....	1
12	N/A	Throttle Sensor .....	1
13	102595901	Screw, M6x1.0x17 Ph, Taptite .....	4
14	102596001	Screw, M5x0.8x18 Ph, Taptite .....	4
15	103974901	Asm, Brake Pedal, Anodized (includes items 16 through 18) .....	1
16	102595201	Cover, Brake .....	1
17	102595301	Upstop, Brake .....	1
18	102595401	Pad, Brake .....	1

5  
G  
E

**5**  
**G**  
**E**



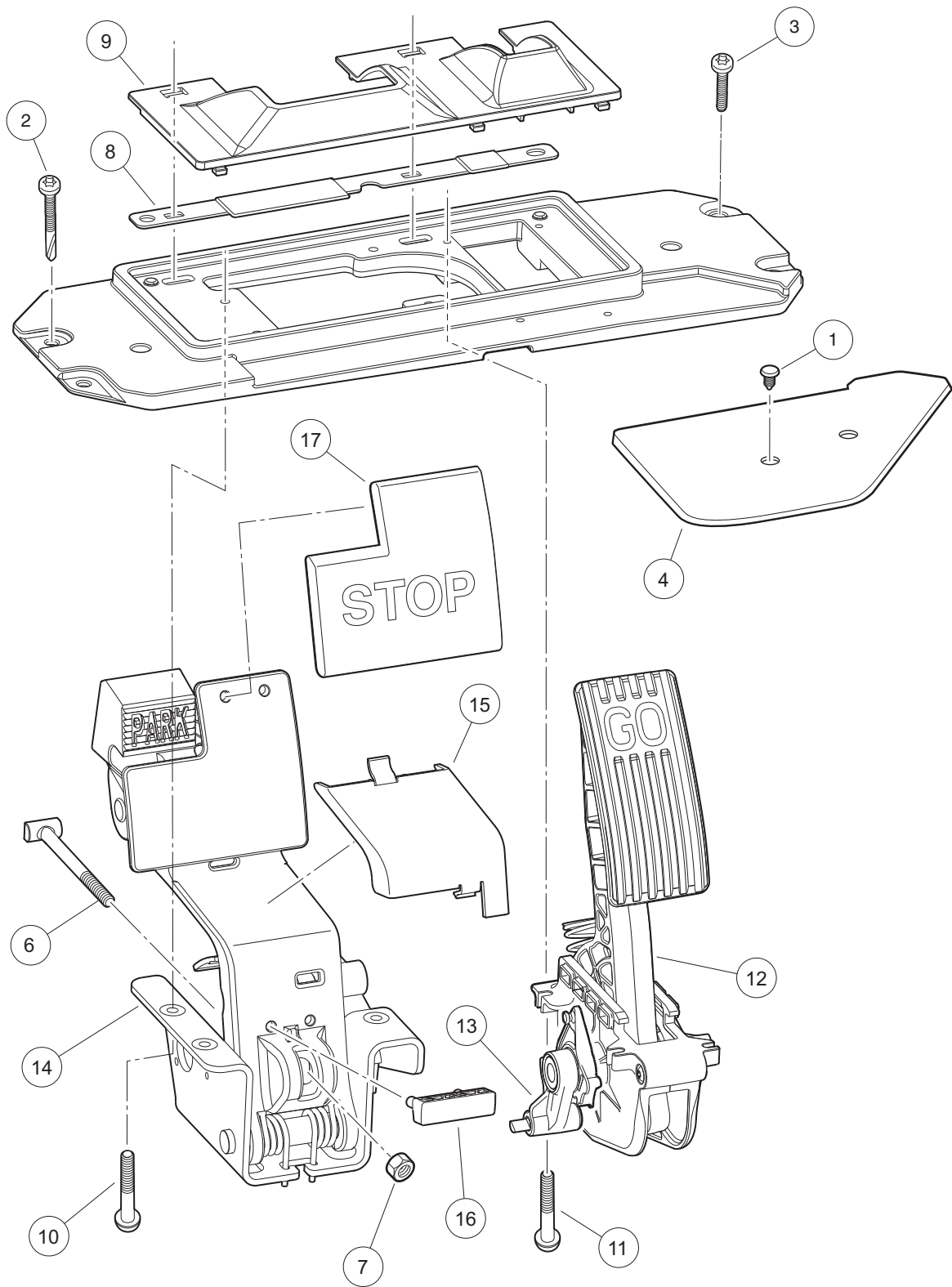
000487-018

## PEDAL GROUP W/O SENSOR, GASOLINE VEHICLE

ITEM	PART NO.	DESCRIPTION	QTY
		1 2 3 4	
1	1010434	Barrel - Plastic .....	1
2	102292201	Screw-1/4-20x2.20 Tx Pn Hd Sd .....	2
3	102298030	Screw, K80x30, Torx Pn Hd Pt .....	2
4	102500801	Plate - Floor Cover .....	1
5	103974821	Asm, Pedal, Anodized, Field Service, Gas or Elec (includes items 6 through 14) .....	1
6	102559401	Rod, Brake .....	1
7	102559701	Nut, Brake Rod .....	1
8	102594801	Shield, Debris Aux .....	1
9	102594901	Shield, Debris Primary .....	1
10	102595901	Screw, M6x1.0x17 Ph, Taptite .....	4
11	102596001	Screw, M5x0.8x18 Ph, Taptite .....	4
12	102596301	Pedal, Accelerator, Anodized, Gas or Elec (includes item 13) .....	1
13	103777601	Asm, Park Brake Release, Anodized .....	1
14	103974901	Asm, Brake Pedal, Anodized (includes items 15 through 17) .....	1
15	102595201	Cover, Brake .....	1
16	102595301	Upstop, Brake .....	1
17	102595401	Pad, Brake .....	1
<p>Note: Pedal Assembly (item 5) has no sensor and is common to both gas and electric vehicles.</p>			

5  
G  
E

**5**  
**G**  
**E**



000487-016

## PEDAL GROUP W/O MCOR – ELECTRIC VEHICLE

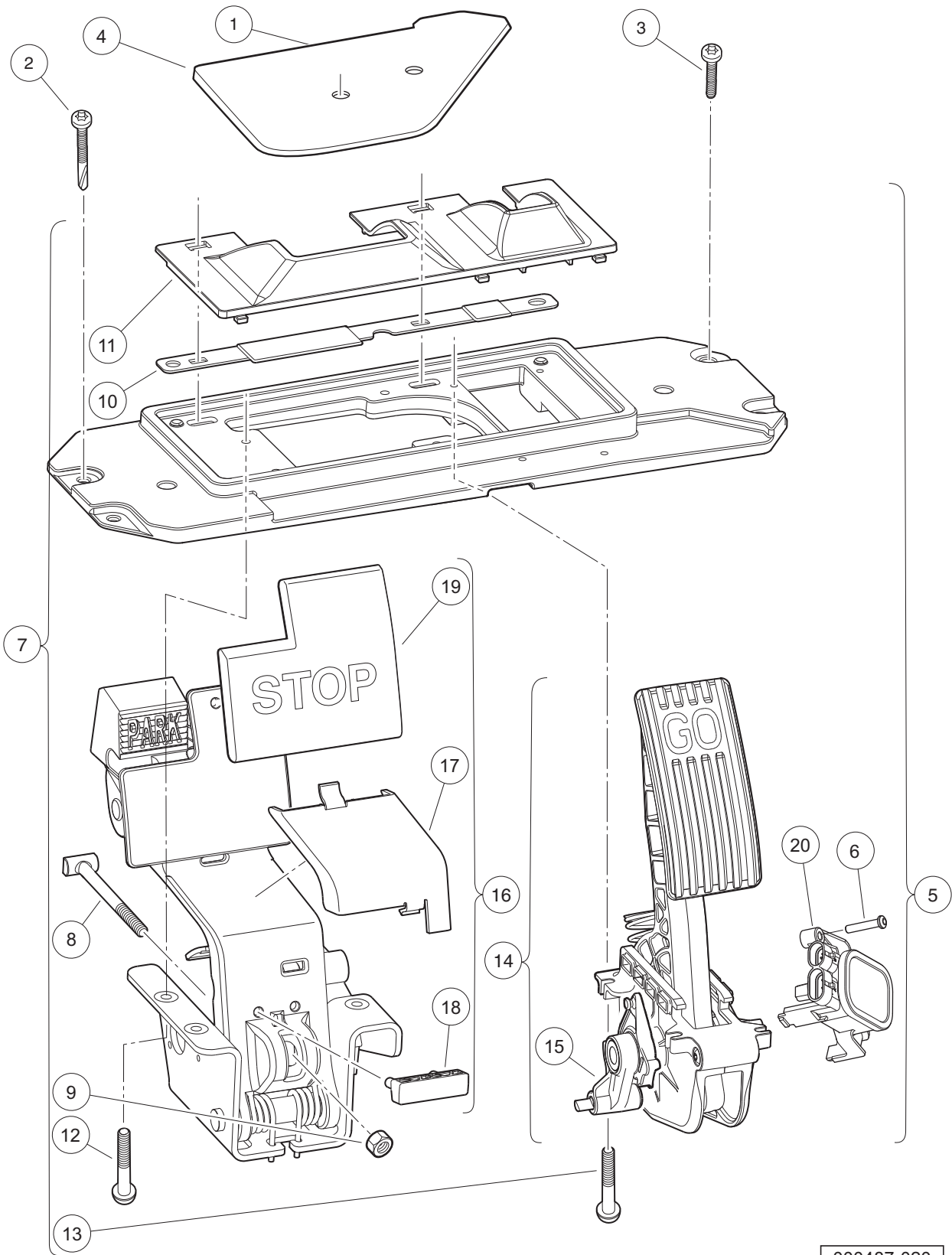
ITEM	PART NO.	DESCRIPTION	QTY
		1 2 3 4	
1	1010434	Barrel - Plastic .....	1
2	102292201	Screw-1/4-20x2.20 Tx Pn Hd Sd .....	2
3	102298030	Screw, K80x30, Torx Pn Hd Pt .....	2
4	102500801	Plate - Floor Cover .....	1
5	103974821	Asm, Pedal, Anodized, Field Service, Gas or Elec (includes items 6 through 14) .....	1
6	102559401	Rod, Brake .....	1
7	102559701	Nut, Brake Rod .....	1
8	102594801	Shield, Debris Aux .....	1
9	102594901	Shield, Debris Primary .....	1
10	102595901	Screw, M6x1.0x17 Ph, Taptite .....	4
11	102596001	Screw, M5x0.8x18 Ph, Taptite .....	4
12	102596301	Pedal, Accelerator, Anodized, Gas or Elec (includes item 13) .....	1
13	103777601	Asm, Park Brake Release, Anodized .....	1
14	103974901	Asm, Brake Pedal, Anodized (includes items 15 through 17) .....	1
15	102595201	Cover, Brake .....	1
16	102595301	Upstop, Brake .....	1
17	102595401	Pad, Brake .....	1
<p>Note: Pedal Assembly (item 5) has no MCOR and is common to both gas and electric vehicles.</p>			

5

G

E

**5**  
**G**  
**E**



000487-020



## PEDAL GROUP WITH MCOR – ELECTRIC VEHICLE

ITEM	PART NO.	DESCRIPTION	QTY
		1 2 3 4	
1	1010434	Barrel - Plastic .....	1
2	102292201	Screw-1/4-20x2.20 Tx Pn Hd Sd .....	2
3	102298030	Screw, K80x30, Torx Pn Hd Pt .....	2
4	102500801	Plate - Floor Cover .....	1
5	103874111	Asm, Pedal Set, Anodized, w/MCOR, Service (includes items 6 through 20) .....	1
6	103943401	Screw, Pan, #10 X 1.00 Hi-lo .....	1
7	103975011	Asm, Pedal Set, Anodized, Service, Elec Vehicle (includes items 8 through 16) .....	1
8	102559401	Rod, Brake .....	1
9	102559701	Nut, Brake Rod .....	1
10	102594801	Shield, Debris Aux .....	1
11	102594901	Shield, Debris Primary .....	1
12	102595901	Screw, M6x1.0x17 Ph, Taptite .....	4
13	102596001	Screw, M5x0.8x18 Ph, Taptite .....	4
14	102596301	Pedal, Accelerator, Anodized, Gas or Elec (includes item 15) .....	1
15	103777601	Asm, Park Brake Release, Anodized .....	1
16	103974901	Asm, Brake Pedal, Anodized (includes items 17 through 19) .....	1
17	102595201	Cover, Brake .....	1
18	102595301	Upstop, Brake .....	1
19	102595401	Pad, Brake .....	1
20	105116301	MCOR4, Type 16 Switch .....	1
<p style="margin-left: 40px;">Note: See the Electrical System Section for more MCOR information.</p>			

5  
G  
E

**5**

**G**

**E**

# STEERING, FRONT AND REAR SUSPENSION

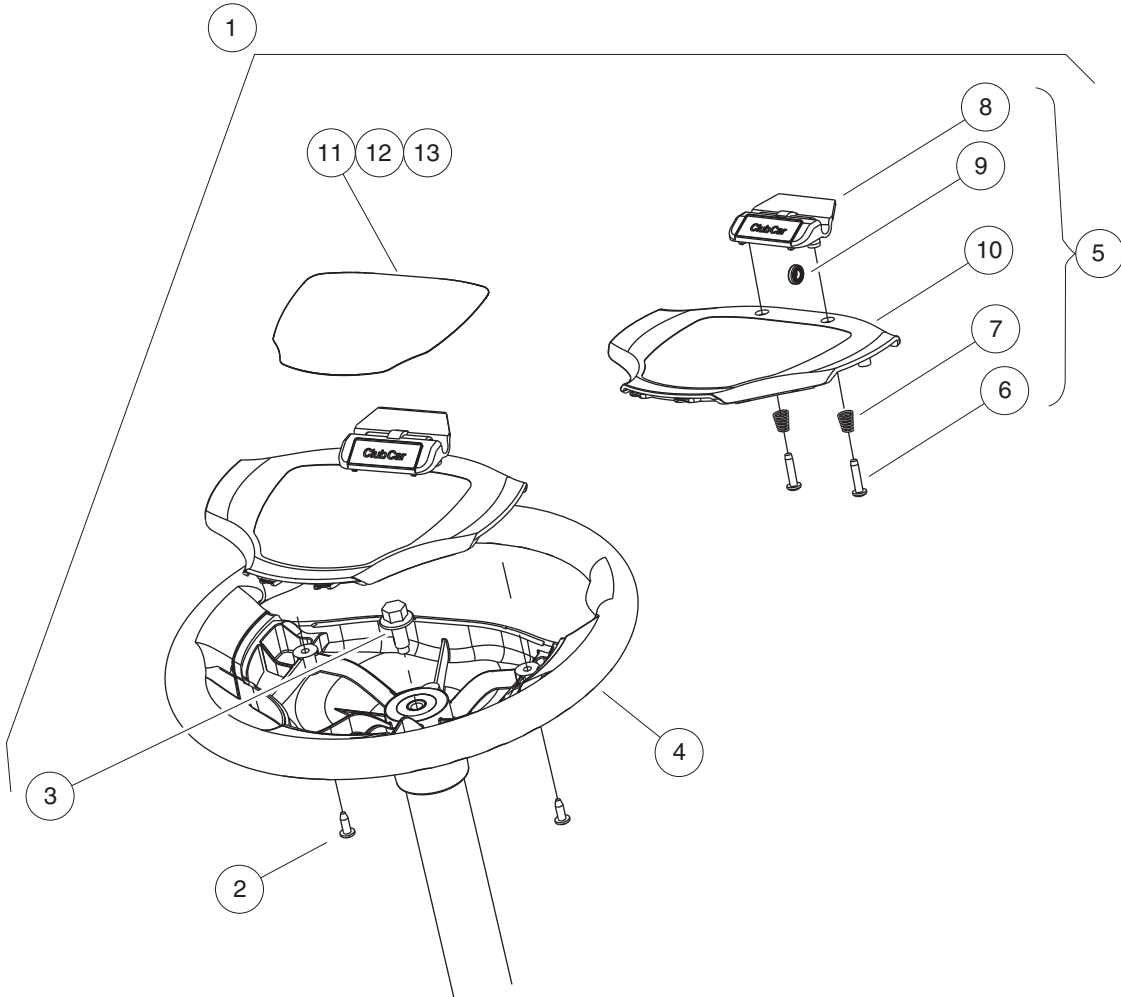
---

6

G

E

**6**  
**G**  
**E**



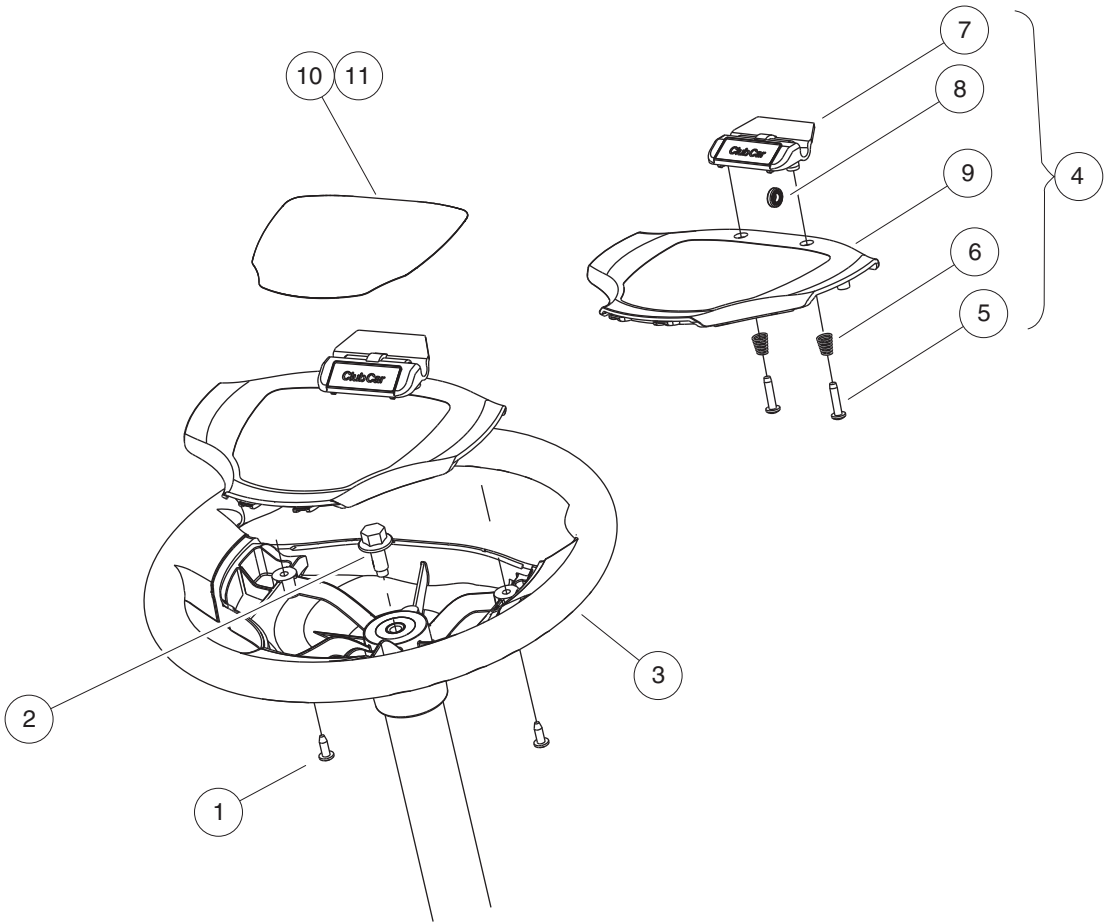
000470-002

## STEERING WHEEL, COMFORT GRIP

ITEM	PART NO.	DESCRIPTION	QTY
		1 2 3 4	
1	103796701	Kit, Hex, Steering Wheel (includes items 2 through 13) .....	1
2	101850301	Screw, #12-16 X 0.50 Washer-Head Hi-Lo .....	2
3	102290120	Bolt, M10 X 20 Hex Washer Hd .....	1
4	103724503	Steering Wheel, Soft Grip, Hex .....	1
5	103724901	Asm, Scorecard, Clip (includes items 6 through 10) .....	1
6	1012565	Screw, #12 Phillips Round Head .....	2
7	1012566	Tapered Compression Spring .....	2
8	1016154	Clip, Scorecard .....	1
9	1016214	Pencil Grip .....	1
10	103724601	Cover, Steering Wheel, Clip .....	1
11	103783001	Decal, Op Instr, Ele .....	1
12	103783002	Decal, Op Instr, Gas Ps .....	1
13	103783003	Decal, Op Instr, Gas Ks .....	1
<p>Note: Decal Item 13 is not used for Precedent vehicles.</p>			

6  
G  
E

**6**  
**G**  
**E**

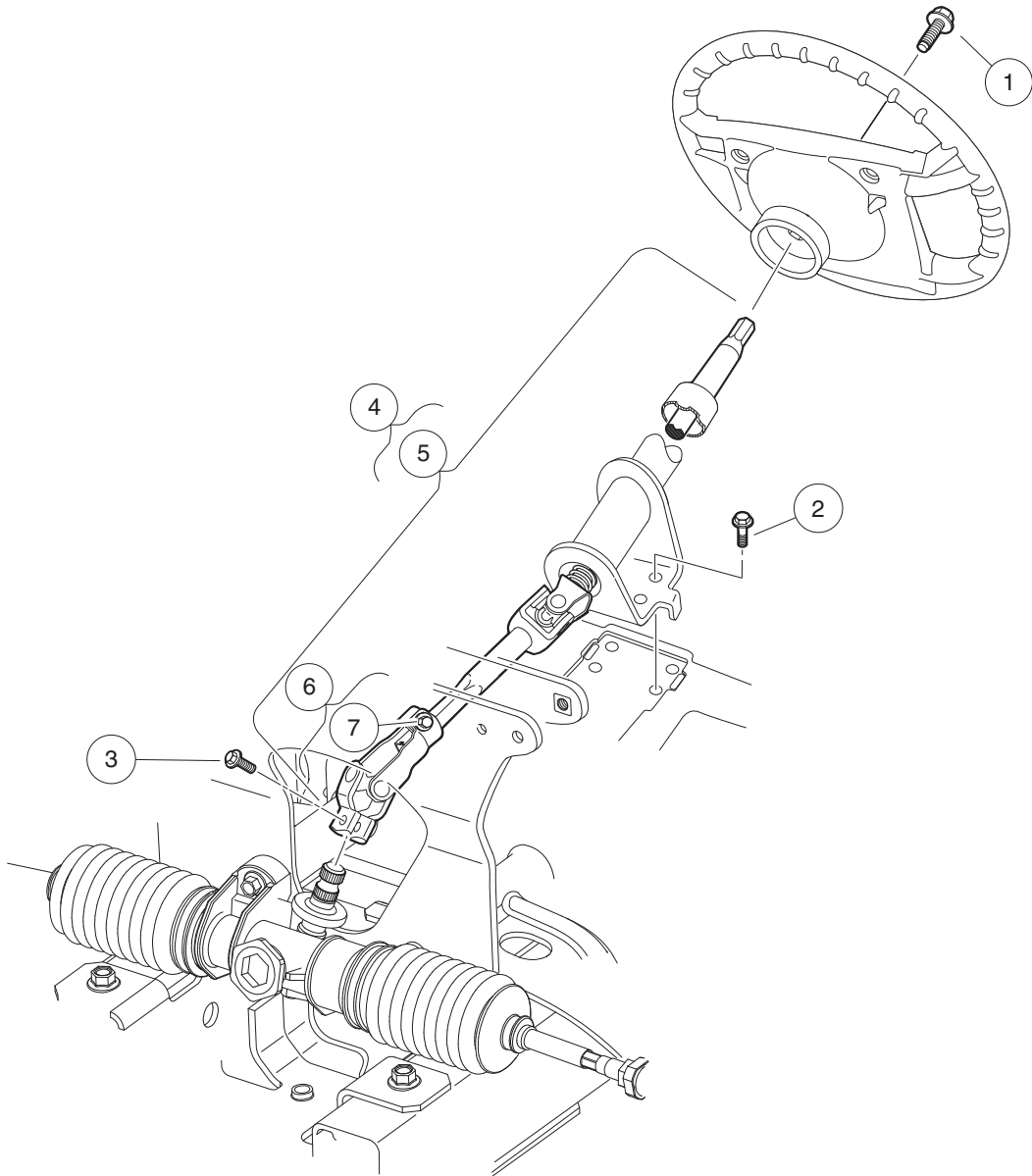


000470-005

# STEERING WHEEL

ITEM	PART NO.	DESCRIPTION	QTY
		<b>1 2 3 4</b>	
1	101850301	Screw, #12-16 X 0.50 Washer-Head Hi-Lo .....	2
2	102290120	Bolt, M10 X 20 Hex Washer Hd .....	1
3	103724501	Steering Wheel, Hex .....	1
4	103724901	Asm, Scorecard, Clip (includes items 5 through 9) .....	1
5	1012565	Screw, #12 Phillips Round Head .....	2
6	1012566	Tapered Compression Spring .....	2
7	1016154	Clip, Scorecard .....	1
8	1016214	Pencil Grip .....	1
9	103724601	Cover, Steering Wheel, Clip .....	1
10	103783001	Decal, Op Instr, Ele .....	1
11	103783002	Decal, Op Instr, Gas Ps .....	1

6  
G  
E



000469-007

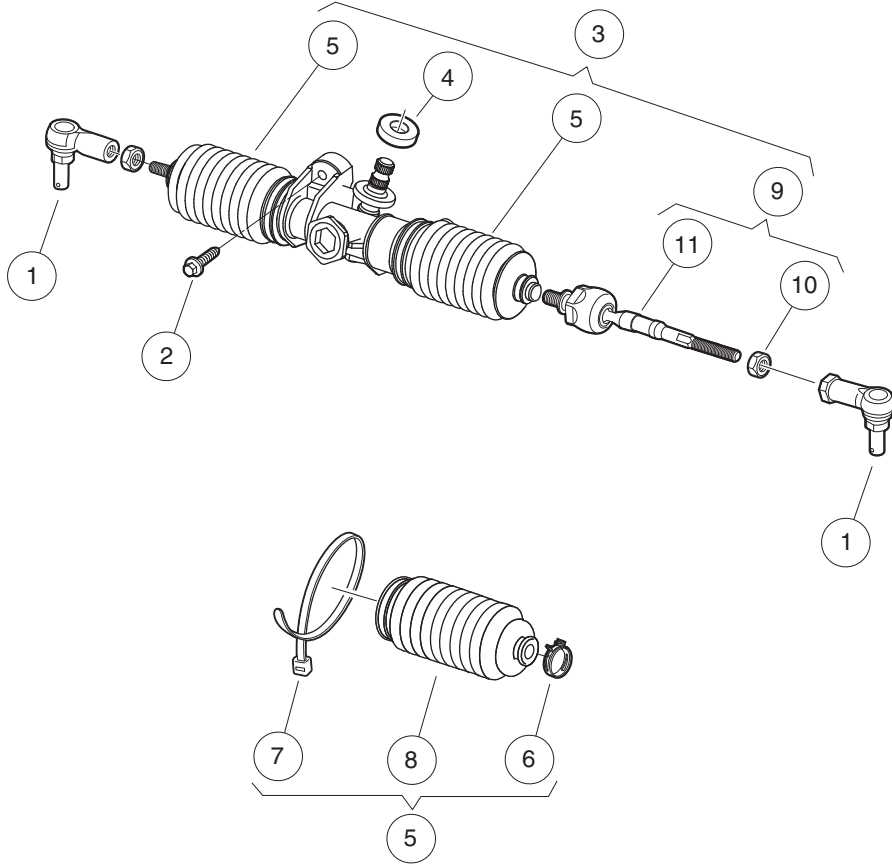


# STEERING COLUMN

ITEM	PART NO.	DESCRIPTION	QTY
		<b>1 2 3 4</b>	
1	102290120	Bolt, M10 X 20 Hex Washer Hd .....	1
2	102298116	Bolt, Flanged Head, M8 X 16.0 .....	4
3	102298130	Bolt, Flange Head, M8 X 30.0 .....	1
4	105049001	Kit, Inner Steering Clmn, Prec (includes item 5) .....	1
5	105068601	Asm, Column, Inner, Prec (includes item 6) .....	1
6	103810201	Kit, Prec Lower Yoke, Wanda (includes item 7) .....	1
7	102298130	Bolt, Flange Head, M8 X 30.0 .....	1

**6**  
**G**  
**E**

**6**  
**G**  
**E**



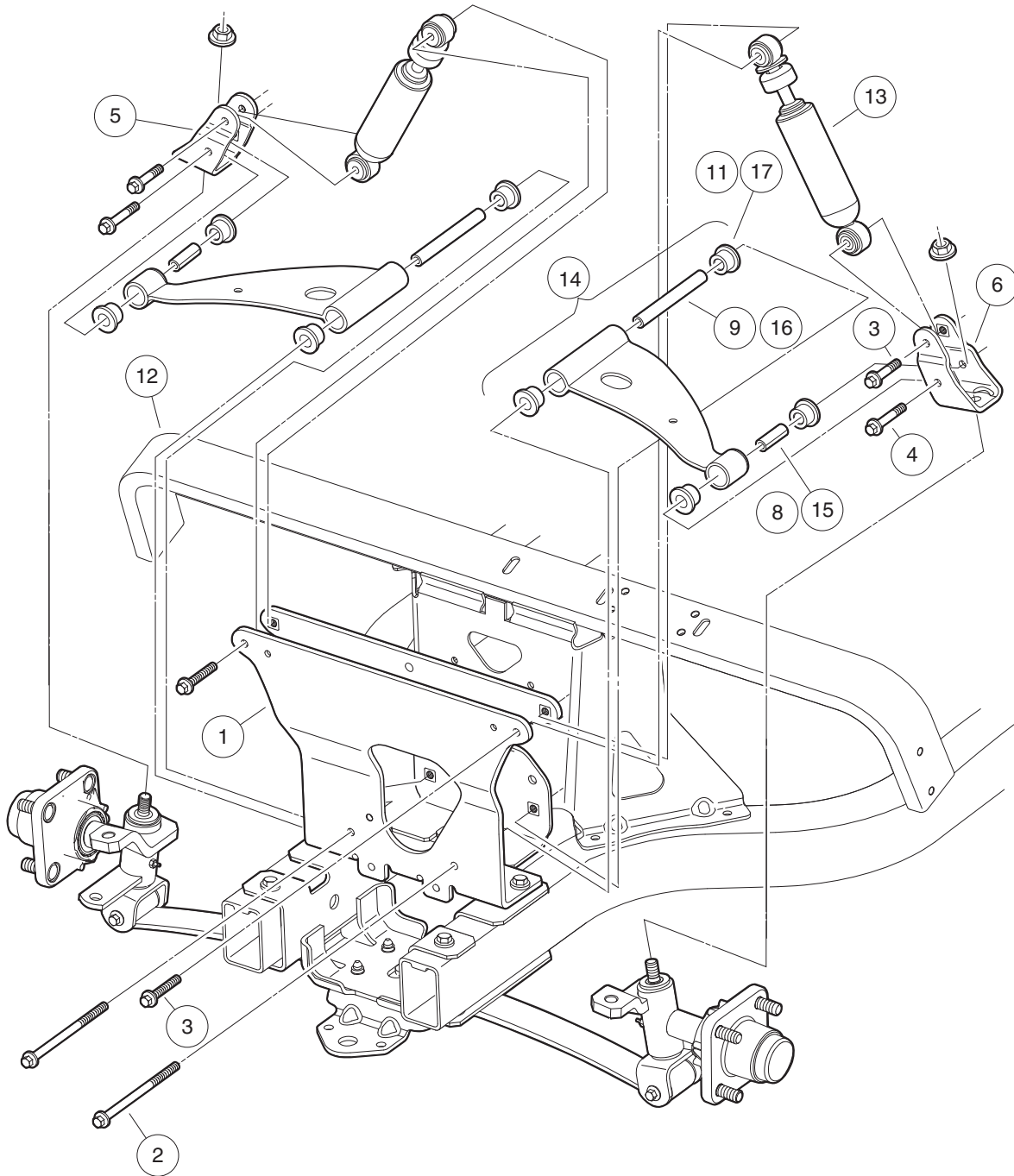
000476-005

# STEERING GEAR ASSEMBLY

ITEM	PART NO.	DESCRIPTION	QTY
		<b>1 2 3 4</b>	
1	102022601	End, Tie Rod M12 X 1.25 Rh .....	2
2	102289001	Screw, M8X1.25X30, Hex .....	3
3	103679701	Asm, Rack & Pinion, Precedent (includes items 4 through 9) .....	1
4	102565201	Seal, Dust, Steering Pinion .....	1
5	103826201	Bellow Kit, Prec Steering-sona (includes items 6 through 8) .....	2
6	102566001	Clip, Steering, Prec .....	1
7	8990	Tie Wrap, 8" Nylon .....	1
8	N/A	Bellows .....	1
9	103826301	Kit, IBJ (Inner Ball Joint), Prec Steering-sona (includes items 10 and 11) .....	2
10	1013042	Nut, 12mm Hex .....	1
11	N/A	Inner Ball Joint .....	1

**6**  
**G**  
**E**

**6**  
**G**  
**E**



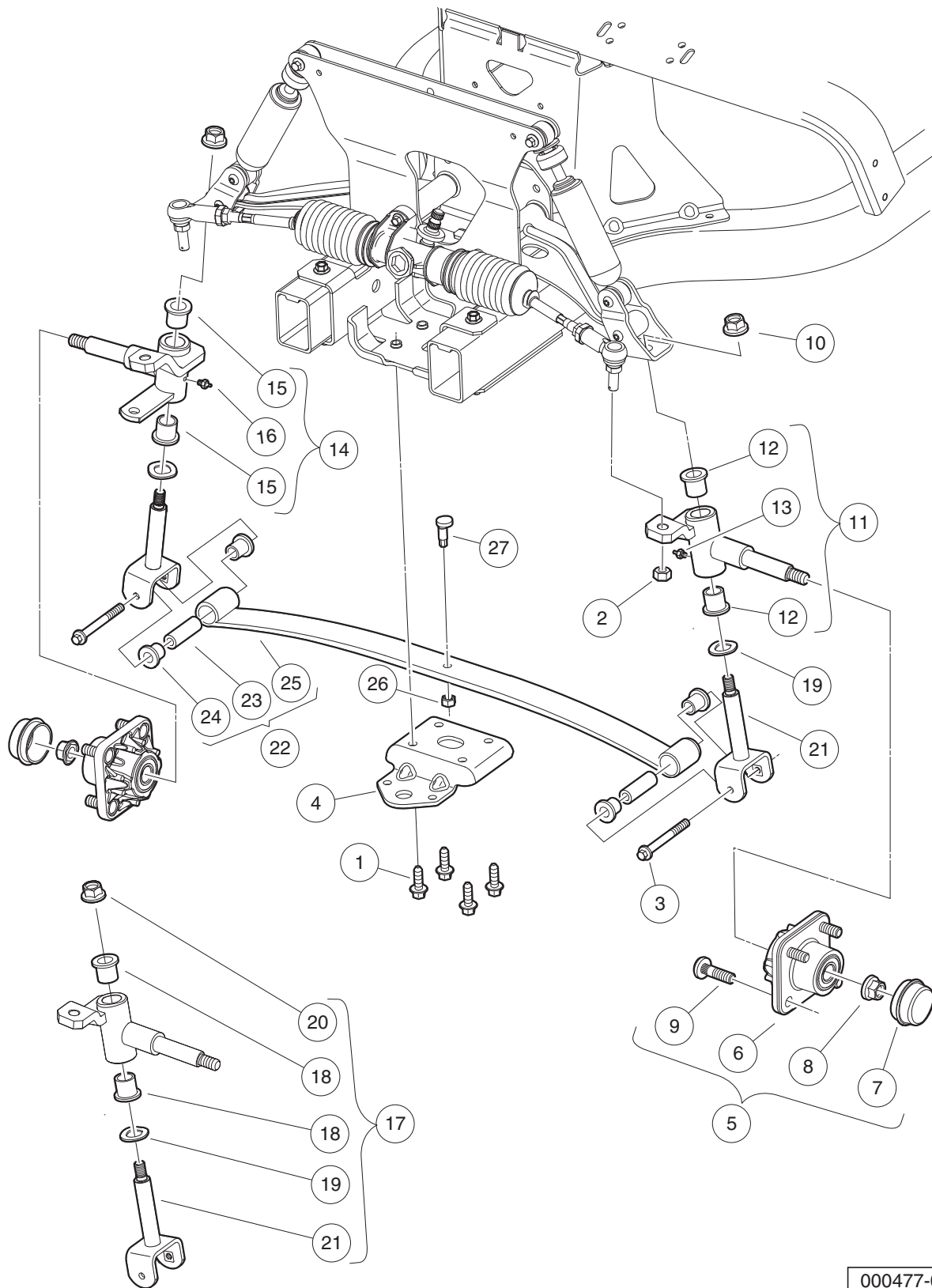
000445-005

## FRONT SUSPENSION, UPPER

ITEM	PART NO.	DESCRIPTION	QTY
		<b>1 2 3 4</b>	
1	102287101	Assembly - Front Structure .....	1
2	102288901	Bolt, Hex, M8x1.25 X 135 .....	2
3	102289401	Screw- Hex Cap, M8 X 1.25 X 45 .....	4
4	102289501	Screw- Hex Cap, M8 X 1.25 X 70 .....	2
5	102289601	Upper Clevis Assembly - Rh .....	1
6	102289701	Upper Clevis Assembly - Lh .....	1
7	102289901	Kit, Susp, Bushing Joints (includes items 8 through 11) .....	1
8	102287601	Sleeve - Rolled, Outer .....	2
9	102287701	Sleeve - Rolled, Inner .....	2
10	102288101	Sleeve - Rolled, Spring .....	2
11	102956201	Bushing, Urethane, Short, Prec .....	12
12	102505701	Assembly, Dash Support .....	1
13	102588601	Shock Absorber Front Prv Spd .....	2
14	103388501	Asm, 3 Piece A-arm, Bushings (includes items 15 through 17) .....	2
15	102287601	Sleeve - Rolled, Outer .....	1
16	102287701	Sleeve - Rolled, Inner .....	1
17	102956201	Bushing, Urethane, Short, Prec .....	4
		<p>Note: Item 7 (not shown) includes bushings and sleeves for control arms and front suspension leaf spring. See lower suspension page for illustration of Sleeve Item 10.</p>	

**6**  
**G**  
**E**

**6**  
**G**  
**E**



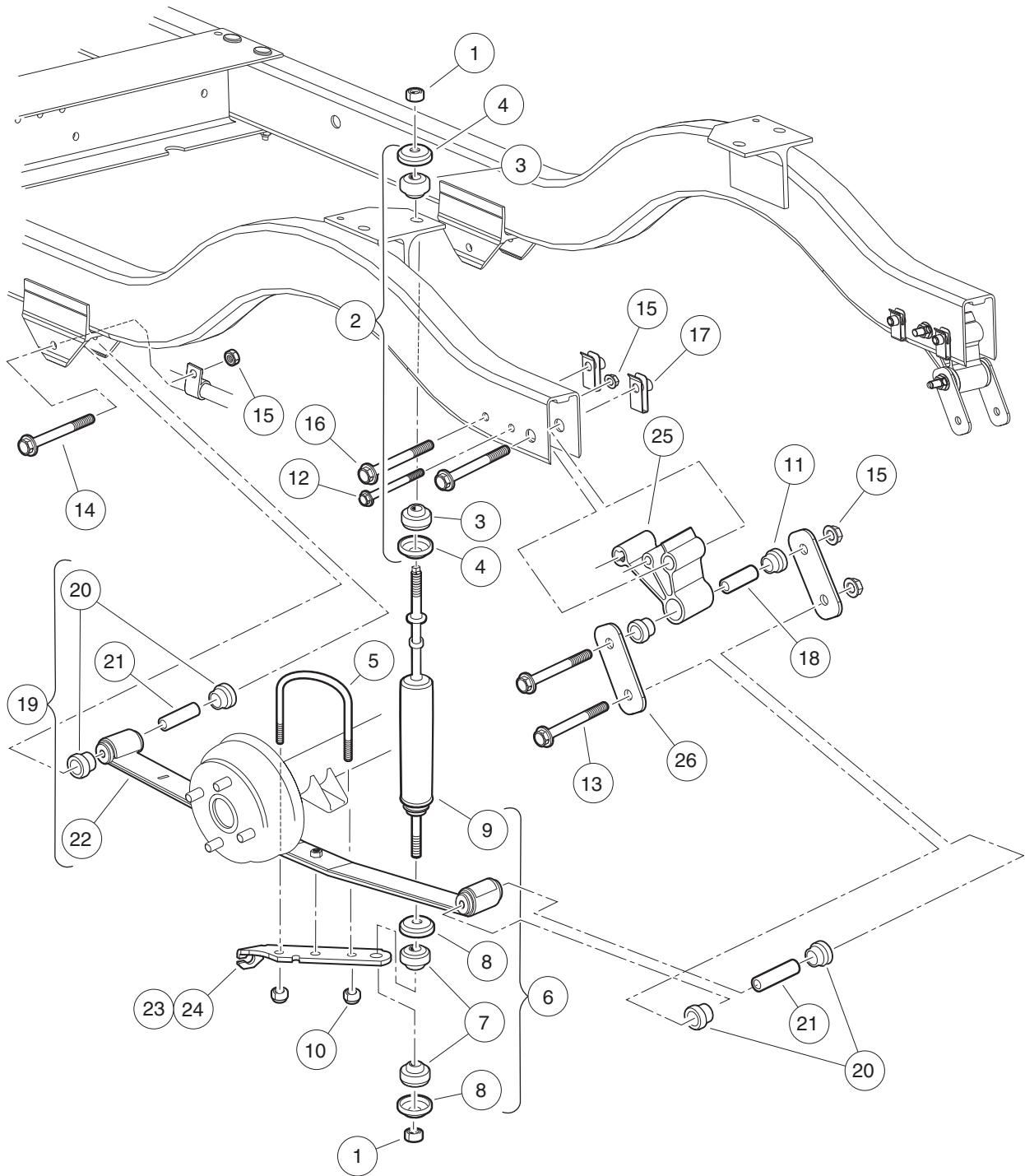
000477-005

## FRONT SUSPENSION, LOWER

ITEM	PART NO.	DESCRIPTION	QTY
		<b>1 2 3 4</b>	
1	102289101	Screw-m10x1.5, Trilob, Hex Fl .....	4
2	102289201	Nut - Hex Locking, M12 X 1.25 .....	2
3	102289501	Screw- Hex Cap, M8 X 1.25 X 70 .....	2
4	102289801	Clamp - Leaf Spring .....	1
5	102357701	Replacement Kit, Front Hub (includes items 6 through 9) .....	1
6	N/A	Front Hub, Ball Bearing .....	1
7	102353201	Cap, Front Hub .....	1
8	102353301	Hex Nut, Locking Flange, M14x2 .....	1
9	102353401	Lug Stud, 1/2-20 UNF, 4037 Stl .....	4
10	102878201	Nut, Lock,m12,washer,conical .....	2
11	103638701	Asm, Spindle-bushings, Lh (includes items 12 and 13) .....	1
12	102288201	Bushing - Flanged .....	2
13	N/A	Fitting, Grease, Knuckle Spindle Asym .....	1
14	103638702	Asm, Spindle-bushings, Rh (includes items 15 and 16) .....	1
15	102288201	Bushing - Flanged .....	2
16	N/A	Fitting, Grease, Knuckle Spindle Asym .....	1
17	103638801	Kit, King Pin Joints, Prec (includes items 18 through 21) .....	1
18	102288201	Bushing - Flanged .....	4
19	102288401	Wave Washer - Kingpin .....	2
20	102878201	Nut, Lock,m12,washer,conical .....	2
21	103638601	Asm, King Pin, M12 .....	2
22	103711001	Asm, Spring, Leaf, Front, Prec (includes items 23 through 25) .....	1
23	102288101	Sleeve - Rolled, Spring .....	2
24	102956201	Bushing, Urethane, Short, Prec .....	4
25	N/A	Spring, 1 Leaf, Front .....	1
26	706	Nut, Hex 3/8-16 .....	1
27	8745	Screw, Eccentric Adjustment .....	1

**6**  
**G**  
**E**

**6**  
**G**  
**E**



000446-005

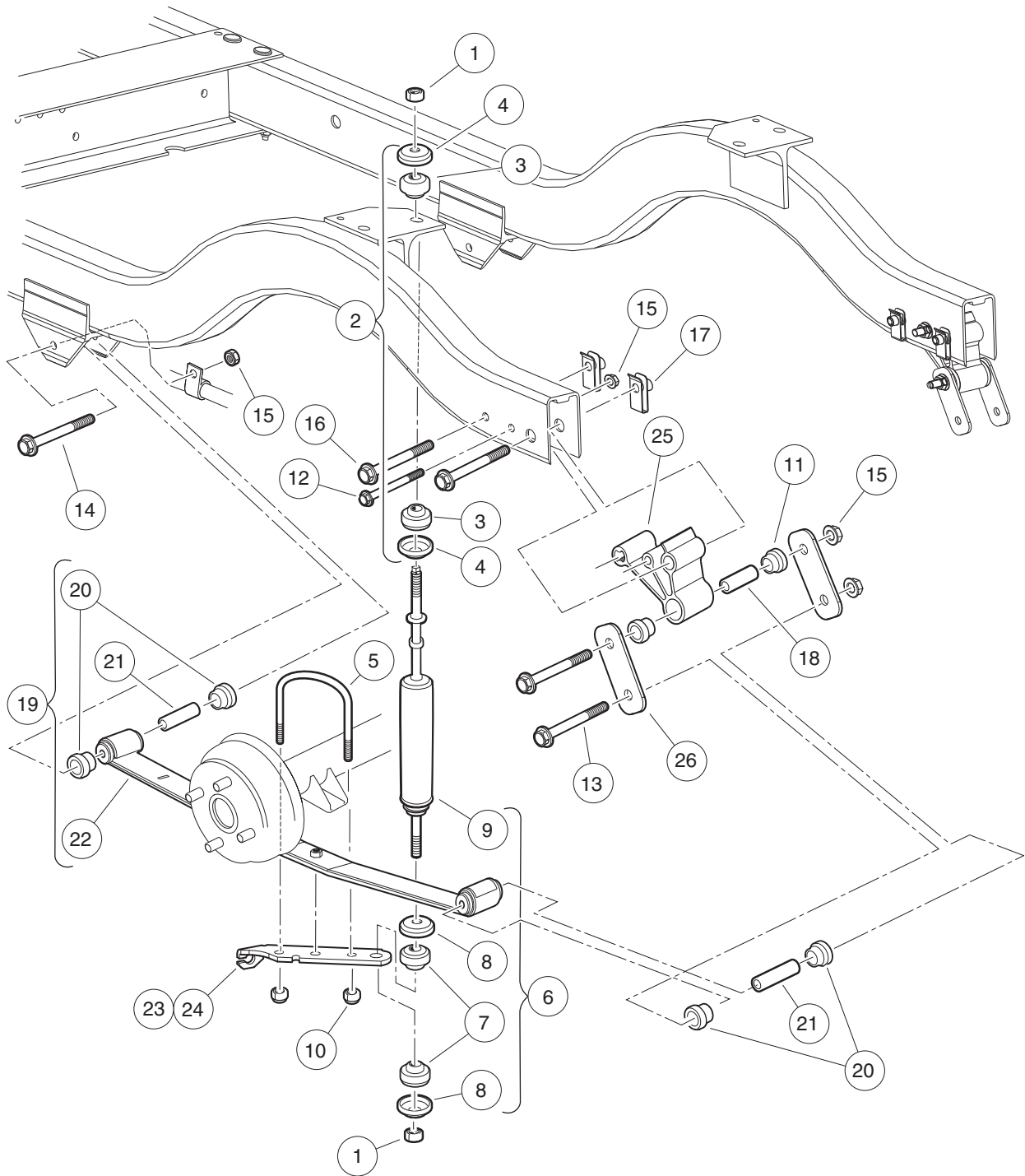


## REAR SUSPENSION, GASOLINE VEHICLE

ITEM	PART NO.	DESCRIPTION	QTY
		<b>1 2 3 4</b>	
1	1010145	Nut, 3/8-24 Hex .....	4
2	1011415	Kit, Shock Absorber Cushion (includes items 3 and 4) .....	2
3	N/A	Cushion, Shock Absorber .....	2
4	N/A	Retainer, Shock Absorber Cushion .....	2
5	1012180	U-Bolt .....	2
6	1013164	Shock Absorber Kit (includes items 7 through 9) .....	1
7	N/A	Cushion, Shock Absorber .....	8
8	N/A	Retainer, Shock Absorber Cushion .....	8
9	102588501	Shock Absorber Rear Prv Spd .....	2
10	1014555	Locknut, 7/16-14 Nylon Hex .....	4
11	1015583	Bushing, Urethane .....	4
12	102298170	Bolt - Flange Hd, M8 X 70.0 .....	2
13	102298175	Bolt - Flange Hd, M8 X 75.0 .....	4
14	102298185	Bolt - Flange Hd, M8 X 85.0 .....	2
15	102298401	Nut,m8,all Metal Lock .....	8
16	102298580	M8-1.25 X 80 Sems .....	4
17	102298601	J-clip - M8 X 1.25 .....	4
18	102506401	Sleeve - Spring Eye Mounts .....	2
19	103742305	Asm, Rear Leaf Spring, Prec, Gas (includes items 20 through 22) .....	2
20	101558302	Bushing, Urethane, Soft .....	4
21	102506401	Sleeve - Spring Eye Mounts .....	2
22	N/A	Leaf Spring, Rear, Prec Gas .....	1
23	103921601	Bracket, Shock Mounting, Drv .....	1
24	103921602	Bracket, Shock Mounting, Pas .....	1
25	103964901	Spacer, Rail, Shackle .....	2
26	103965001	Brkt, Shackle, Rear .....	4

**6**  
**G**  
**E**

**6**  
**G**  
**E**



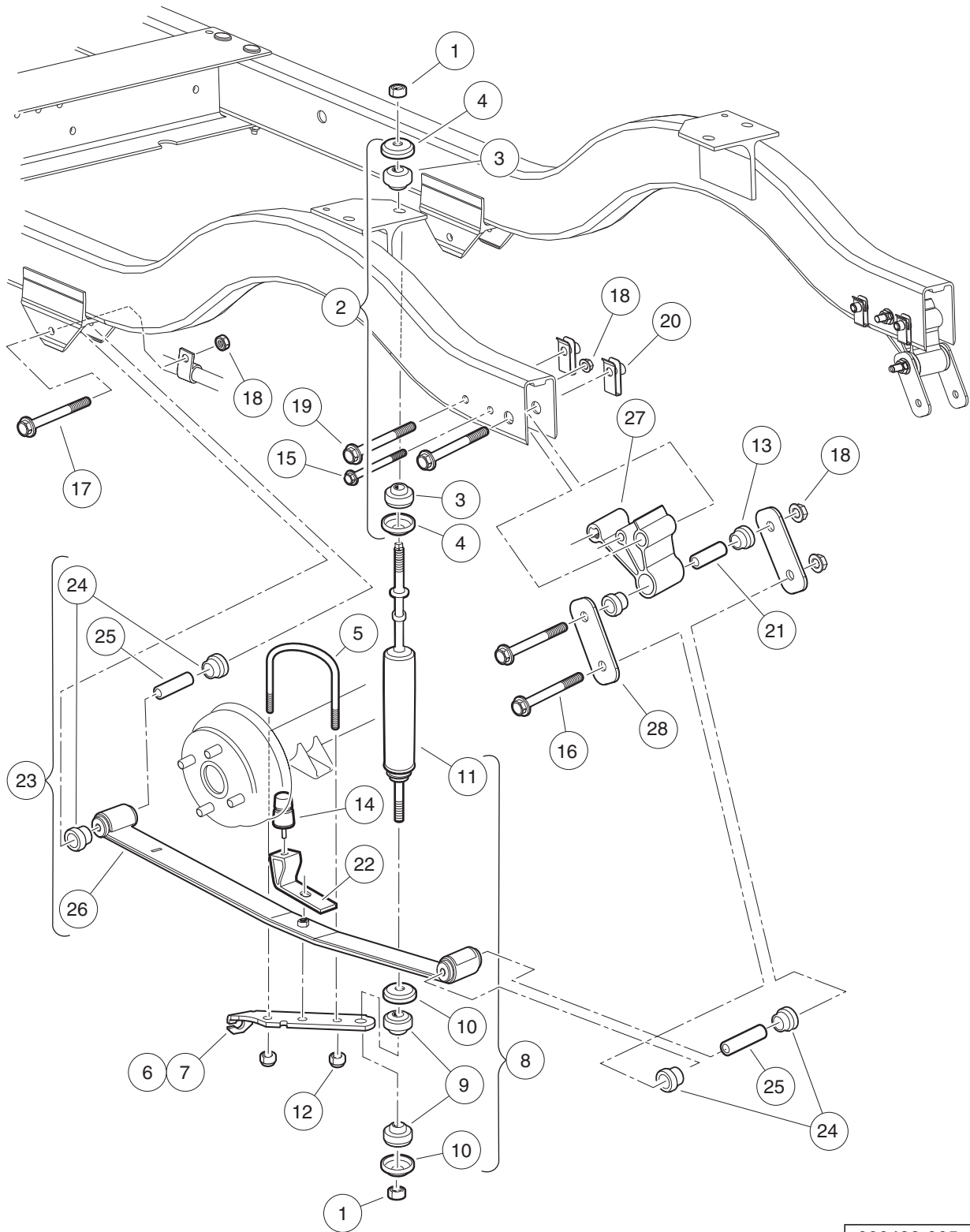
000446-005

## REAR SUSPENSION, ELECTRIC VEHICLE

ITEM	PART NO.	DESCRIPTION	QTY
		<b>1 2 3 4</b>	
1	1010145	Nut, 3/8-24 Hex .....	4
2	1011415	Kit, Shock Absorber Cushion (includes items 3 and 4) .....	2
3	N/A	Cushion, Shock Absorber .....	2
4	N/A	Retainer, Shock Absorber Cushion .....	2
5	1012180	U-Bolt .....	2
6	1013164	Shock Absorber Kit (includes items 7 through 9) .....	1
7	N/A	Cushion, Shock Absorber .....	8
8	N/A	Retainer, Shock Absorber Cushion .....	8
9	102588501	Shock Absorber Rear Prv Spd .....	2
10	1014555	Locknut, 7/16-14 Nylon Hex .....	4
11	1015583	Bushing, Urethane .....	4
12	102298170	Bolt - Flange Hd, M8 X 70.0 .....	2
13	102298175	Bolt - Flange Hd, M8 X 75.0 .....	4
14	102298185	Bolt - Flange Hd, M8 X 85.0 .....	2
15	102298401	Nut,m8,all Metal Lock .....	8
16	102298580	M8-1.25 X 80 Sems .....	4
17	102298601	J-clip - M8 X 1.25 .....	4
18	102506401	Sleeve - Spring Eye Mounts .....	2
19	103742304	Asm, Rear Leaf Spring, Prec, Elec (includes items 20 through 22) .....	2
20	101558302	Bushing, Urethane, Soft .....	4
21	102506401	Sleeve - Spring Eye Mounts .....	2
22	N/A	Leaf Spring, Rear, Prec Elec .....	1
23	103921601	Bracket, Shock Mounting, Drv .....	1
24	103921602	Bracket, Shock Mounting, Pas .....	1
25	103964901	Spacer, Rail, Shackle .....	2
26	103965001	Brkt, Shackle, Rear .....	4

**6**  
**G**  
**E**

**6**  
**G**  
**E**



000492-005

## REAR SUSPENSION, PRECEDENT VILLAGER 4

ITEM	PART NO.	DESCRIPTION	QTY	<b>6</b>
		<b>1 2 3 4</b>		
1	1010145	Nut, 3/8-24 Hex .....	4	
2	1011415	Kit, Shock Absorber Cushion (includes items 3 and 4) .....	2	<b>G</b>
3	N/A	Cushion, Shock Absorber .....	2	<b>E</b>
4	N/A	Retainer, Shock Absorber Cushion .....	2	
5	1012180	U-Bolt .....	2	
6	1012181	Bracket, Shock Mounting, Right (Passenger) .....	1	
7	1012182	Bracket, Shock Mounting, Left (Driver) .....	1	
8	1013164	Shock Absorber Kit (includes items 9 through 11) .....	1	
9	N/A	Cushion, Shock Absorber .....	8	
10	N/A	Retainer, Shock Absorber Cushion .....	8	
11	102588501	Shock Absorber Rear Prv Spd .....	2	
12	1014555	Locknut, 7/16-14 Nylon Hex .....	4	
13	1015583	Bushing, Urethane .....	4	
14	1017235	Bumper, Jounce .....	2	
15	102298170	Bolt - Flange Hd, M8 X 70.0 .....	2	
16	102298175	Bolt - Flange Hd, M8 X 75.0 .....	4	
17	102298185	Bolt - Flange Hd, M8 X 85.0 .....	2	
18	102298401	Nut,m8,all Metal Lock .....	8	
19	102298580	M8-1.25 X 80 Sems .....	4	
20	102298601	J-clip - M8 X 1.25 .....	4	
21	102506401	Sleeve - Spring Eye Mounts .....	2	
22	102534801	Jounce Bumper Bracket .....	2	
23	103742306	Asm, Rear Leaf Spring, Prec, 4-Passenger (includes items 24 through 26) .....	2	
24	101558302	Bushing, Urethane, Soft .....	4	
25	102506401	Sleeve - Spring Eye Mounts .....	2	
26	N/A	Leaf Spring, Rear, Prec 4pass .....	1	
27	103964901	Spacer, Rail, Shackle .....	2	
28	103965001	Brkt, Shackle, Rear .....	4	

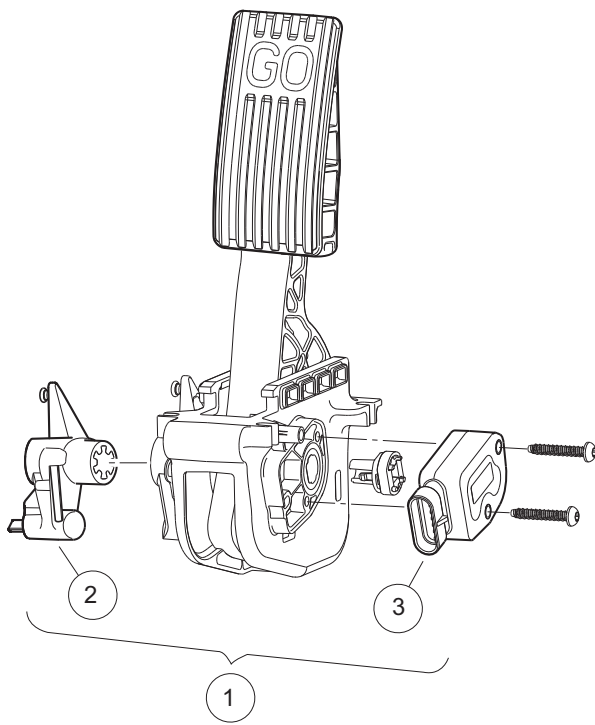
**6**

**G**

**E**

# ELECTRICAL SYSTEM – KAW. FE350

---



000487-012

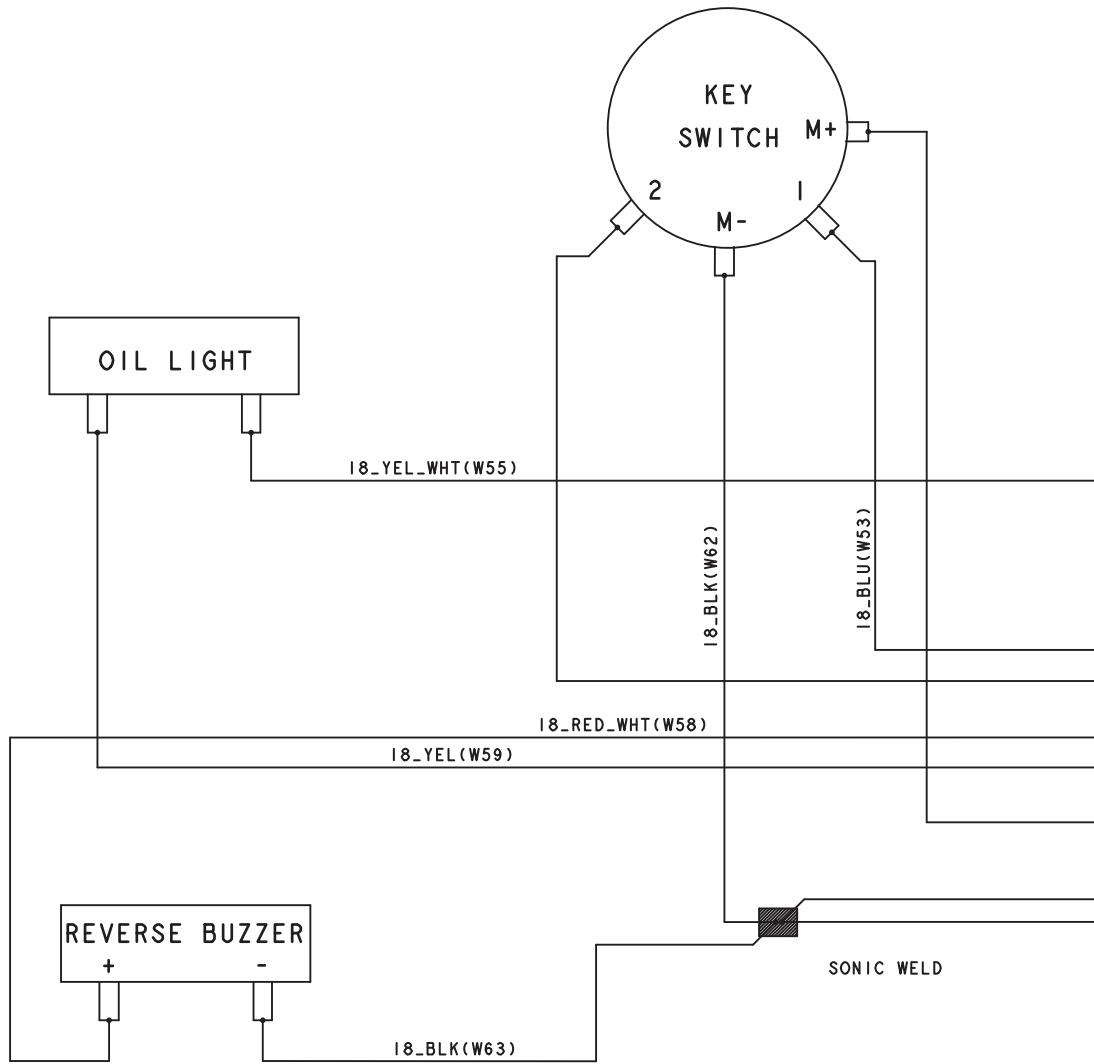


# ACCELERATOR PEDAL ASSEMBLY W/SENSOR – KAW. FE350

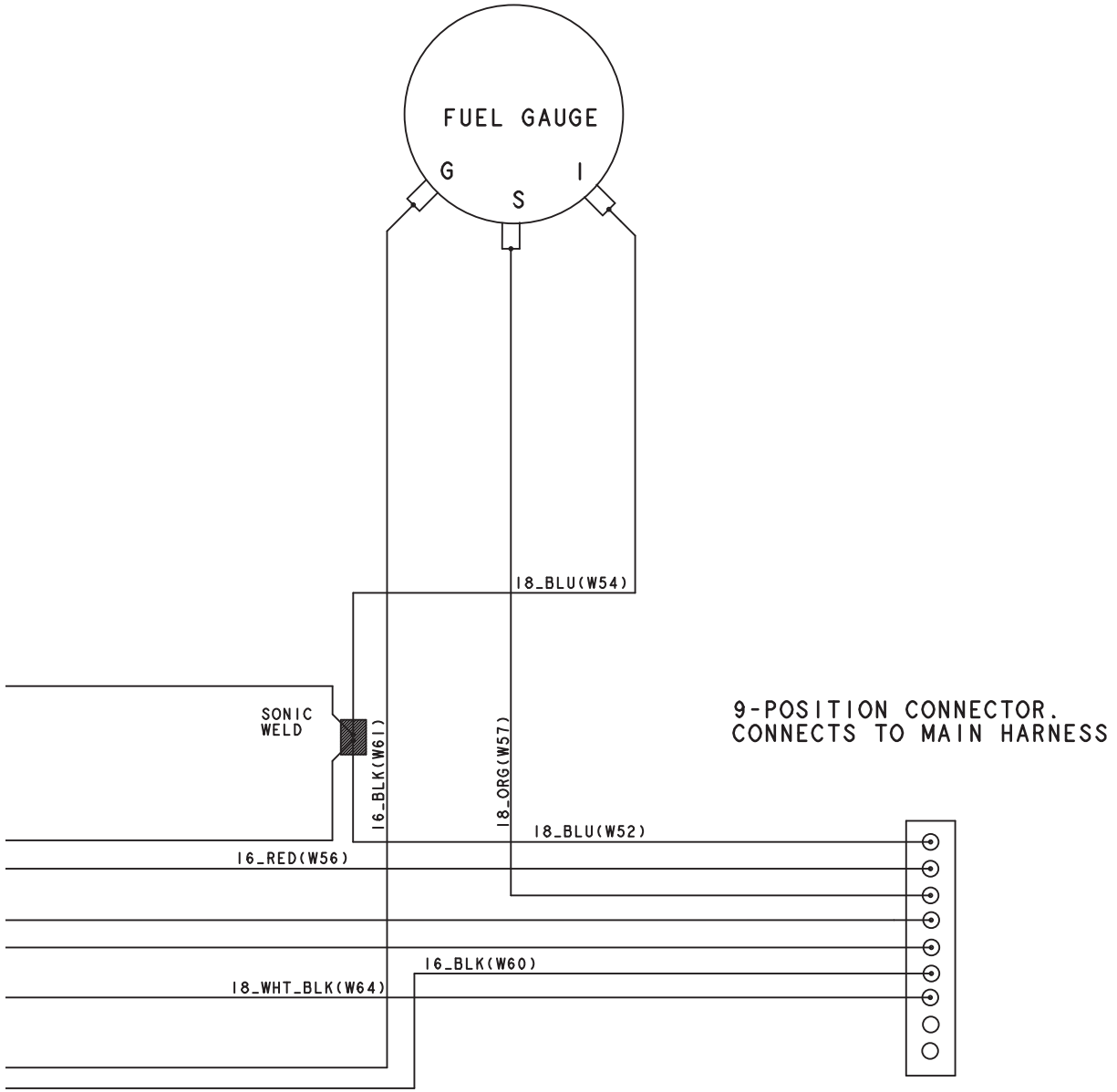
ITEM	PART NO.	DESCRIPTION	QTY
		1 2 3 4	
1	102595502	Asm, Accel. Pedal/Throttle, Anodized, Gas Vehicle (includes items 2 and 3) .....	1
2	103777601	Asm, Park Brake Release, Anodized .....	1
3	N/A	Throttle Sensor .....	1
<p>Note: For a complete Pedal Group, see section 4, Brakes and Pedal Group Assemblies.</p>			

7

G



000489-001



000489-001

7

G

See previous two pages for illustration.

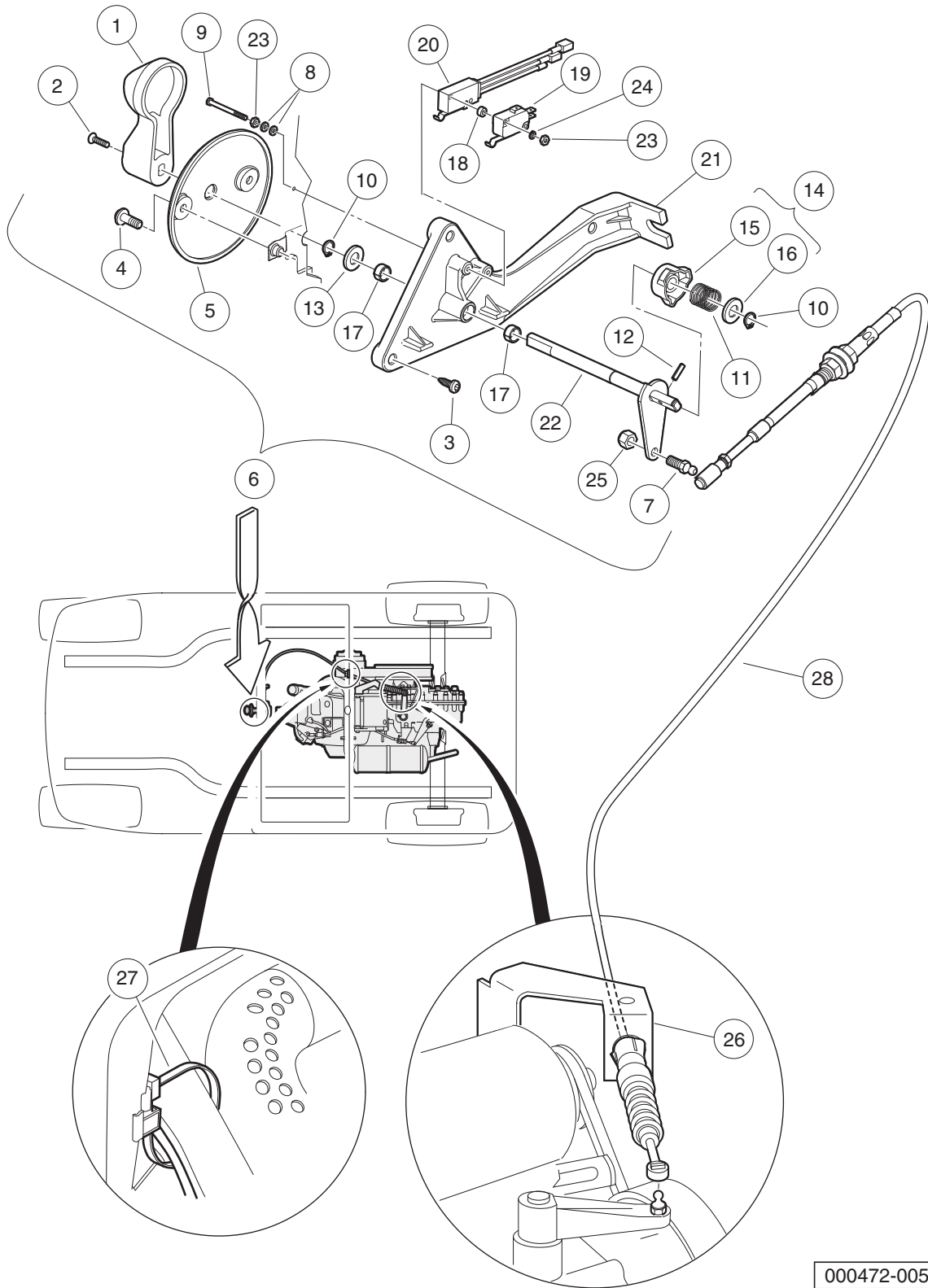
# INSTRUMENT PANEL WIRE HARNESS – KAW. FE350

ITEM	PART NO.	DESCRIPTION	QTY
1	102515001	1 2 3 4 Ip Control Harness, Gas (includes item 2) .....	1
2	N/A	Connector, Plug 9-pin .....	1

7

G

**7**  
**G**



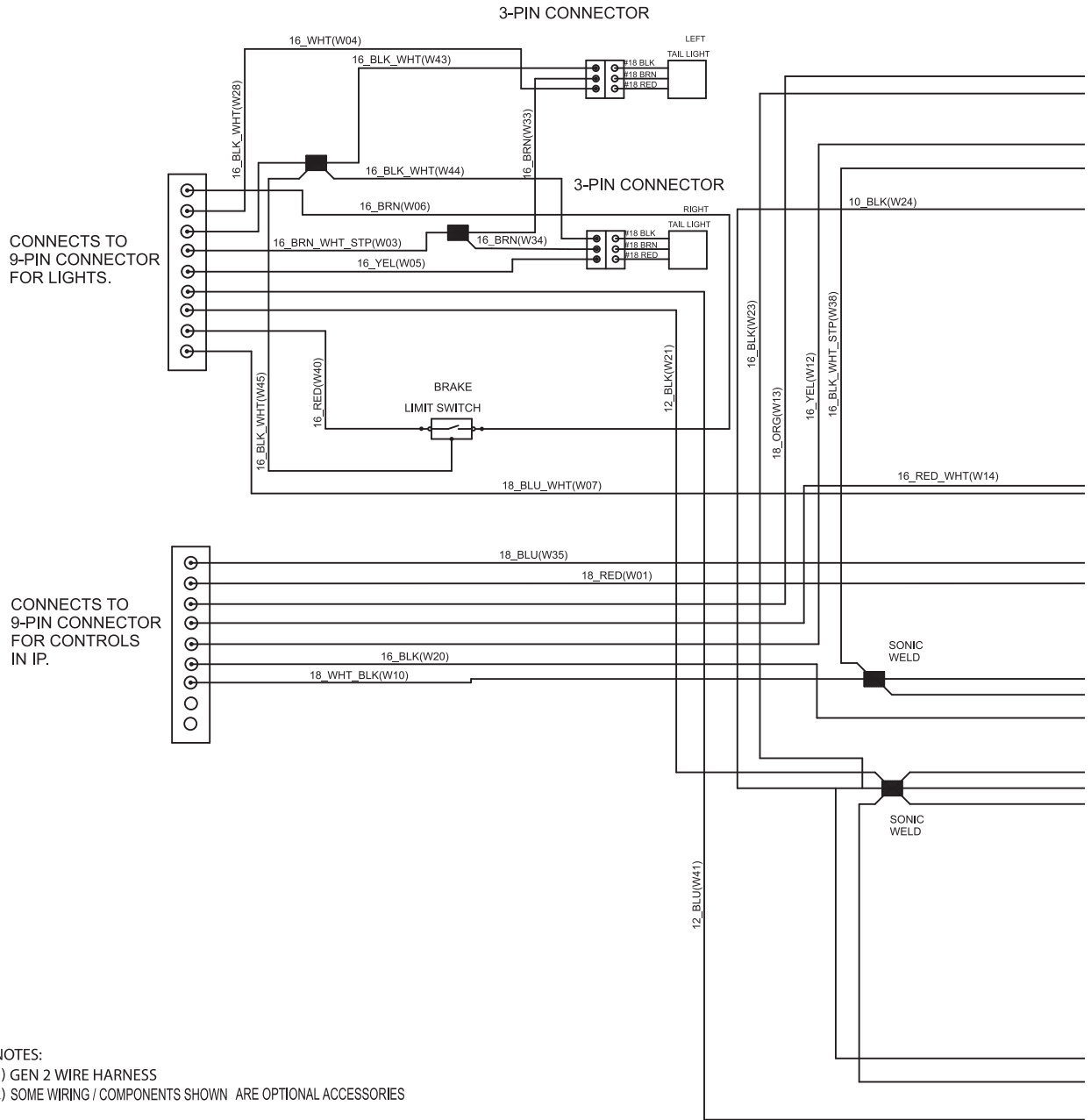
000472-005

# FORWARD/REVERSE SHIFTER ASSEMBLY – KAW. FE350

ITEM	PART NO.	DESCRIPTION	QTY
		1 2 3 4	
1	1012987	Handle, FNR .....	1
2	1015064	Screw, #8-32 X 0.63 Machine .....	1
3	102296040	Screw, Torx Pan Hd Pt, M6 X 40 .....	3
4	102296920	Screw, M6, Torx Button Head, Sems .....	2
5	102512001	Bezel, FNR, Gas .....	1
6	102514602	Assembly Gas Fnr Shifter Svc (includes items 7 through 25) .....	1
7	1010954	Stud, Ball, 1/4-28 X 0.560 .....	1
8	1012431	Washer, #4 Flat .....	4
9	1012594	Screw, #4-40 Machine .....	2
10	1013589	Ring, Retaining, 0.338" Internal .....	2
11	1013590	Spring, FNR Cam .....	1
12	1013591	Pin, Roll, 1/8 X 1/2 .....	1
13	1014065	Washer, Flat, 0.38" ID, Delrin .....	1
14	1014089	Neutral Lockout Cam Kit (includes items 15 and 16) .....	1
15	N/A	Cam, Neutral Lockout .....	1
16	1014065	Washer, Flat, 0.38" ID, Delrin .....	1
17	1014145	Bushing, Secondary Weight, Split .....	2
18	1014727	Washer, Flat, #4, Nylon .....	2
19	1014807	Switch, Limit .....	1
20	101979101	Switch, Limit, Assembly, Sealed .....	1
21	102515601	Base, Gas FNR Shifter .....	1
22	103943201	Weldment, F-n-r Gas .....	1
23	8057	Nut, #4-40 Hex Machine .....	4
24	8058	Lockwasher, #4 Split .....	2
25	8717	Locknut, Nylon Insert, 1/4-28 .....	1
26	102515501	Bracket-trans Cable Support .....	1
27	102554901	Clip, Edge, with Wire Tie .....	1
28	103379601	Cable, Transmission, Prec .....	1

**7**

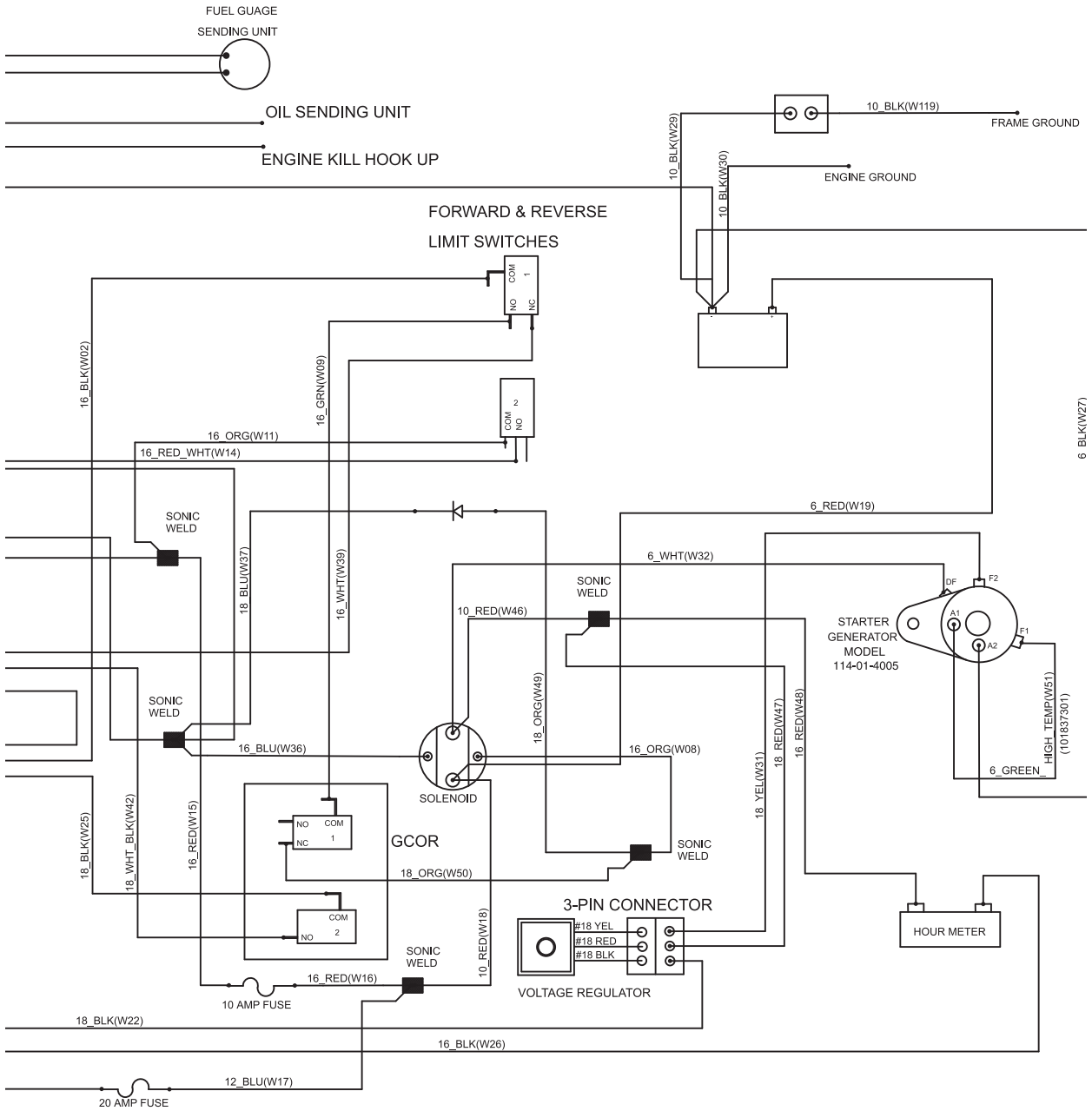
**G**



NOTES:  
 1) GEN 2 WIRE HARNESS  
 2) SOME WIRING / COMPONENTS SHOWN ARE OPTIONAL ACCESSORIES

000481-003





000481-003

7

G

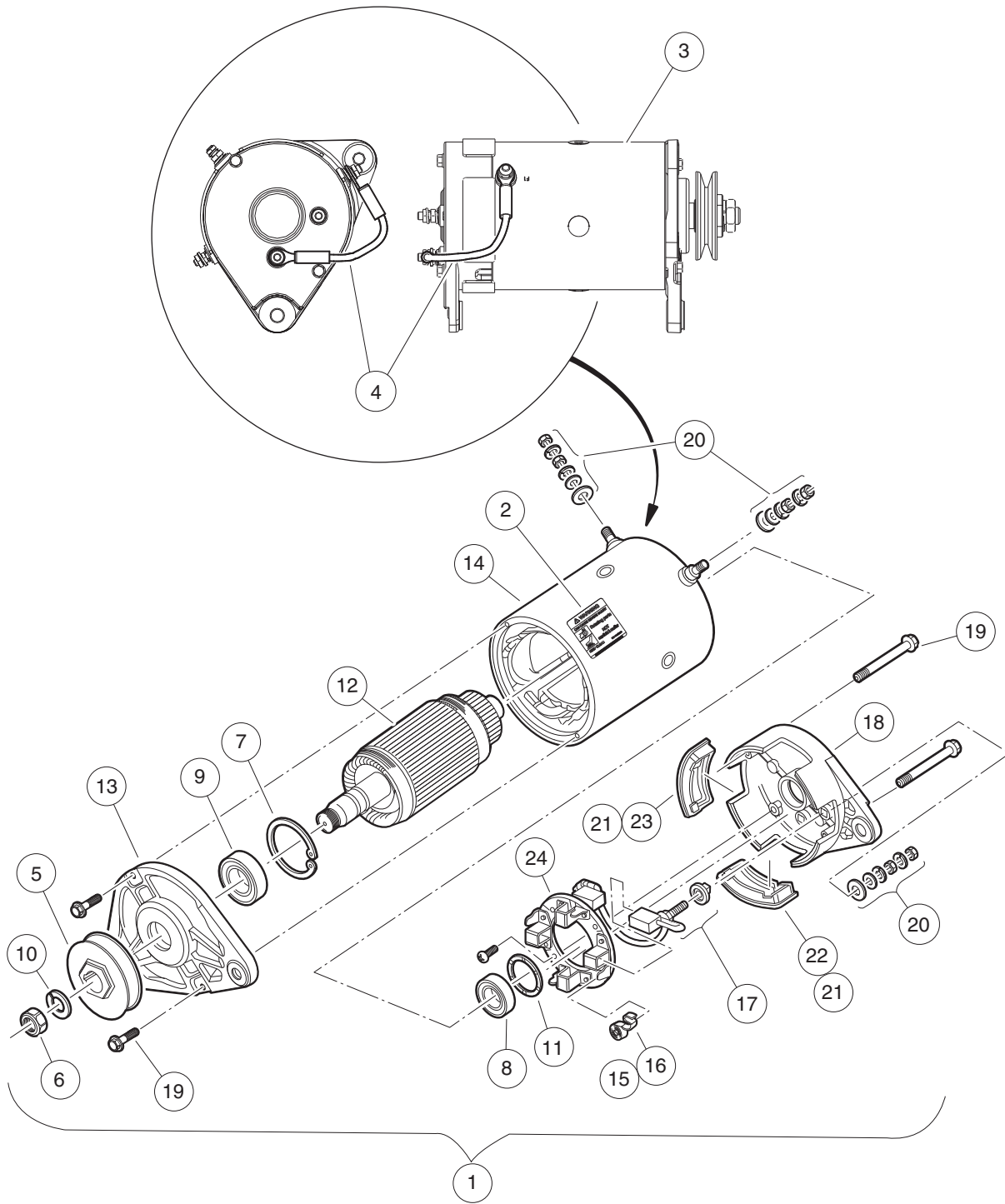
See previous two pages for illustration.

## WIRING – KAW. FE350 GASOLINE VEHICLE

ITEM	PART NO.	DESCRIPTION	QTY
1	103536501	1 2 3 4 Harness, Prec Gas, Main (For Generation 2 Pedal Group) (includes item 2) .....	1
2	N/A	Conn, 6 Pos, Packard 12162210 .....	1

7

G

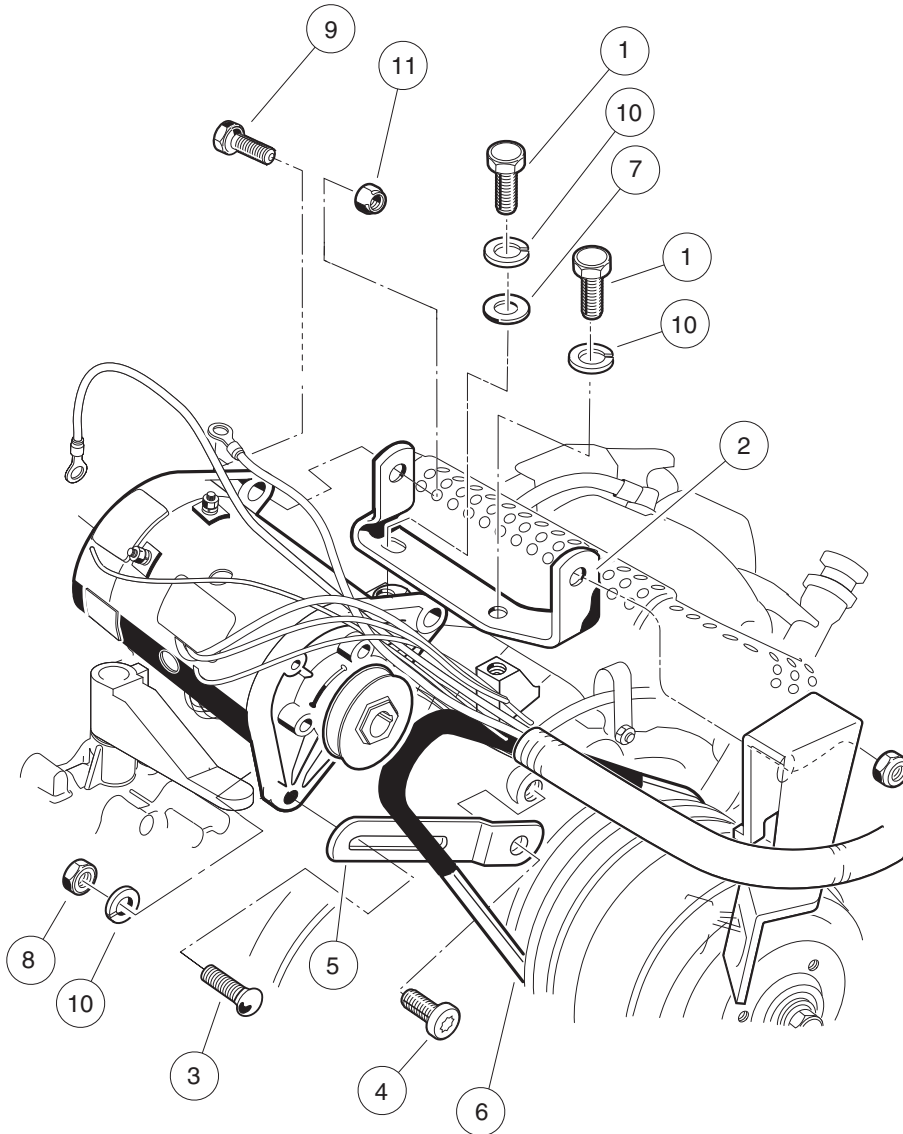


000124-005

# STARTER/GENERATOR (S/G) ASSEMBLY – KAW. FE350

ITEM	PART NO.	DESCRIPTION	QTY
		<b>1 2 3 4</b>	
1	103678502	Asm, St/gen, Bi-rot, Ks, Svc (includes items 2 and 3) .....	1
2	101960501	Decal, Rotating Parts/Hot Manifold .....	1
3	N/A	St/gen, Bi-rot, Util, Ks (includes items 4 through 24) .....	1
4	101837301	Wire Assy, #6 Green .....	1
5	102711001	Pulley, V-Belt .....	1
6	102838701	Nut, Hex, M14x2, S/G .....	1
7	102838801	Retainer, Front, S/G .....	1
8	102838901	Bearing, Ball, Front, S-g .....	1
9	102839001	Bearing, Ball, Front, S-g .....	1
10	102839301	Washer, Lock M14x2, S-g .....	1
11	102841101	Washer, Wave, S-g .....	1
12	N/A	Asm, Armature, Starter/Generator .....	1
13	102844601	Head, Drive End, S-g .....	1
14	102844701	Asm, Frame and Field, Starter/Generator .....	1
15	103347101	Kit, Spring Brush, Starter/Generator (includes item 16) .....	1
16	N/A	Spring, Brush, S-g .....	4
17	103347301	Set, Brush Term, S-g .....	1
18	103347601	Head, Comm End, S-g .....	1
19	103347701	Set, Fastener, Ceh Deh, S-g .....	1
20	103347801	Set, Term Hardware, S/G .....	1
21	103347901	Kit, Cover, Brush Insp, Starter/Generator (includes items 22 and 23) .....	1
22	N/A	Plug, Rubber Drain, Start/Generator .....	3
23	N/A	Cover, Inspection, S-g .....	1
24	103953301	Kit, Brush And Brush Holder .....	1

**7**  
**G**



000238-005

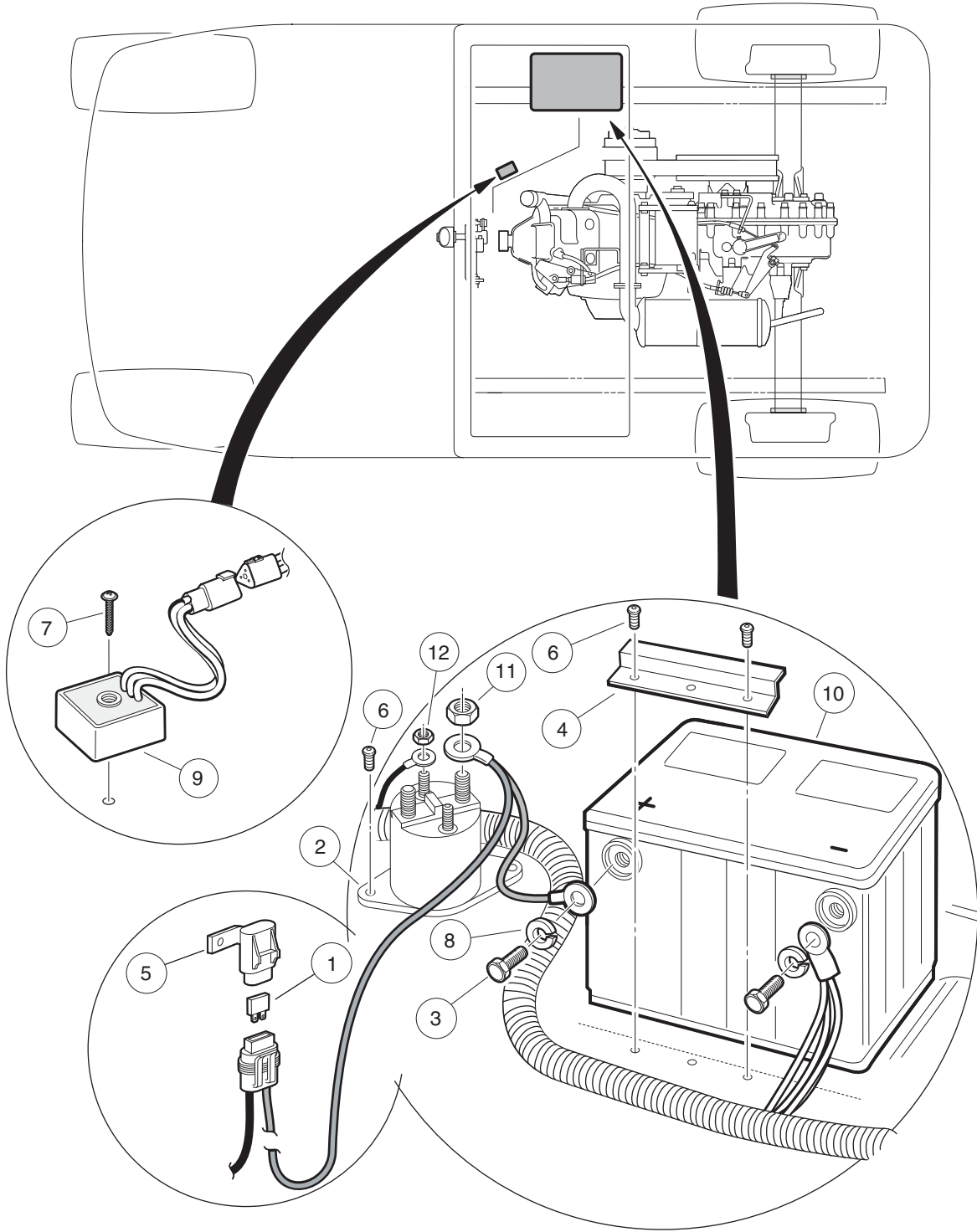
## STARTER/GENERATOR MOUNTING – KAW. FE350

ITEM	PART NO.	DESCRIPTION	QTY
		1 2 3 4	
1	1012830	Screw, M8-125 X 22 Hex-Head .....	2
2	101524002	Bracket, Starter/Generator Mounting .....	1
3	1015932	Bolt, Carriage, 5/16-18 .....	1
4	1016074	Screw, M8-1.25 X 18mm Torx .....	1
5	1016883	Bracket, Starter/Generator Adjustment .....	1
6	101916701	V-Belt .....	1
7	1241	Washer, 5/16 Type A Flat .....	1
8	1242	Nut, 5/16-18 Hex .....	1
9	1624	Screw, 3/8-16 X 1.50, Hex-Head Cap .....	2
10	7174	Lockwasher, 5/16 Split .....	3
11	8754	Locknut, 3/8-16 Hex .....	2

**7**

**G**

7  
G



000479-003



## BATTERY – KAW. FE350 GASOLINE VEHICLE

ITEM	PART NO.	DESCRIPTION	QTY
		1 2 3 4	
1	1012295	Fuse, 10-Amp .....	1
2	1013609	Solenoid, 12-Volt .....	1
3	1014375	Screw, 3/8-16 X 0.50, Stainless Steel, Hex-Head .....	2
4	101898001	Clamp, Battery .....	1
5	N/A	Cover, Fuse, Sealed, Metri .....	1
6	102296020	Screw, Torx Pan Hd Pt, M6 X 20 .....	4
7	102296040	Screw, Torx Pan Hd Pt, M6 X 40 .....	1
8	102355301	Lockwasher, 3/8 Split Ss .....	2
9	102803301	Asm, Voltage Regulator, Prec. ....	1
10	103496801	Battery, Start, 12v .....	1
11	1242	Nut, 5/16-18 Hex .....	2
12	7893	Nut, #10-32 Hex .....	2

7

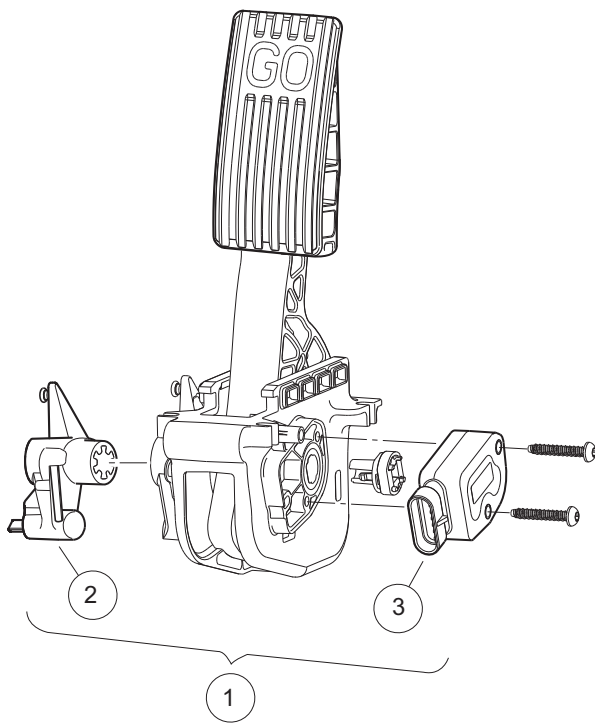
G

7

G

# ELECTRICAL SYSTEM – SUBARU EX40

---



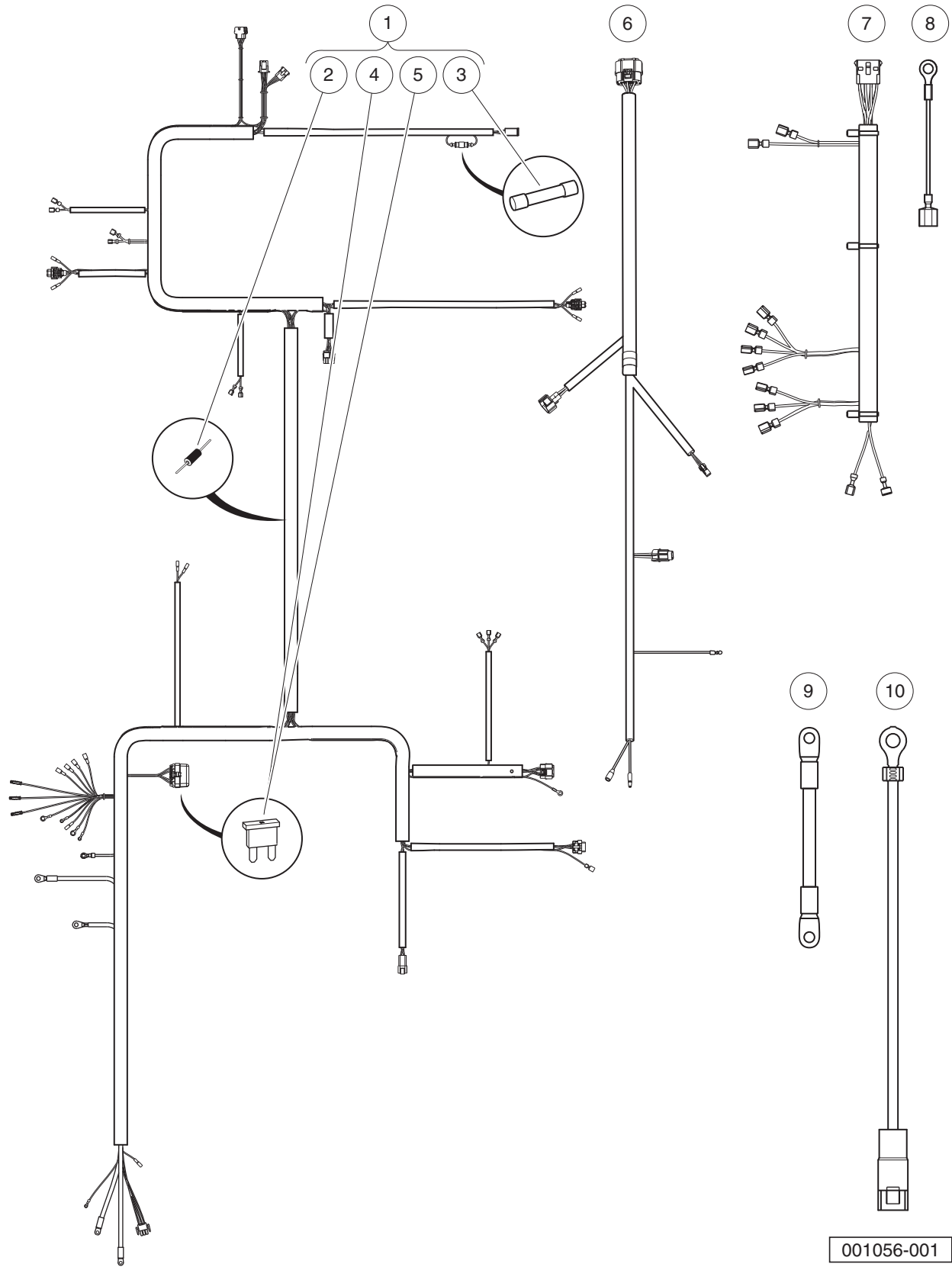
000487-012

## ACCELERATOR PEDAL ASSEMBLY W/SENSOR – EFI

ITEM	PART NO.	DESCRIPTION	QTY
		1 2 3 4	
1	102595502	Asm, Accel. Pedal/Throttle, Anodized, Gas Vehicle (includes items 2 and 3) .....	1
2	103777601	Asm, Park Brake Release, Anodized .....	1
3	N/A	Throttle Sensor .....	1
<p>Note: For a complete Pedal Group, see section 5, Brakes and Pedal Group Assemblies.</p>			

**8**

**G**

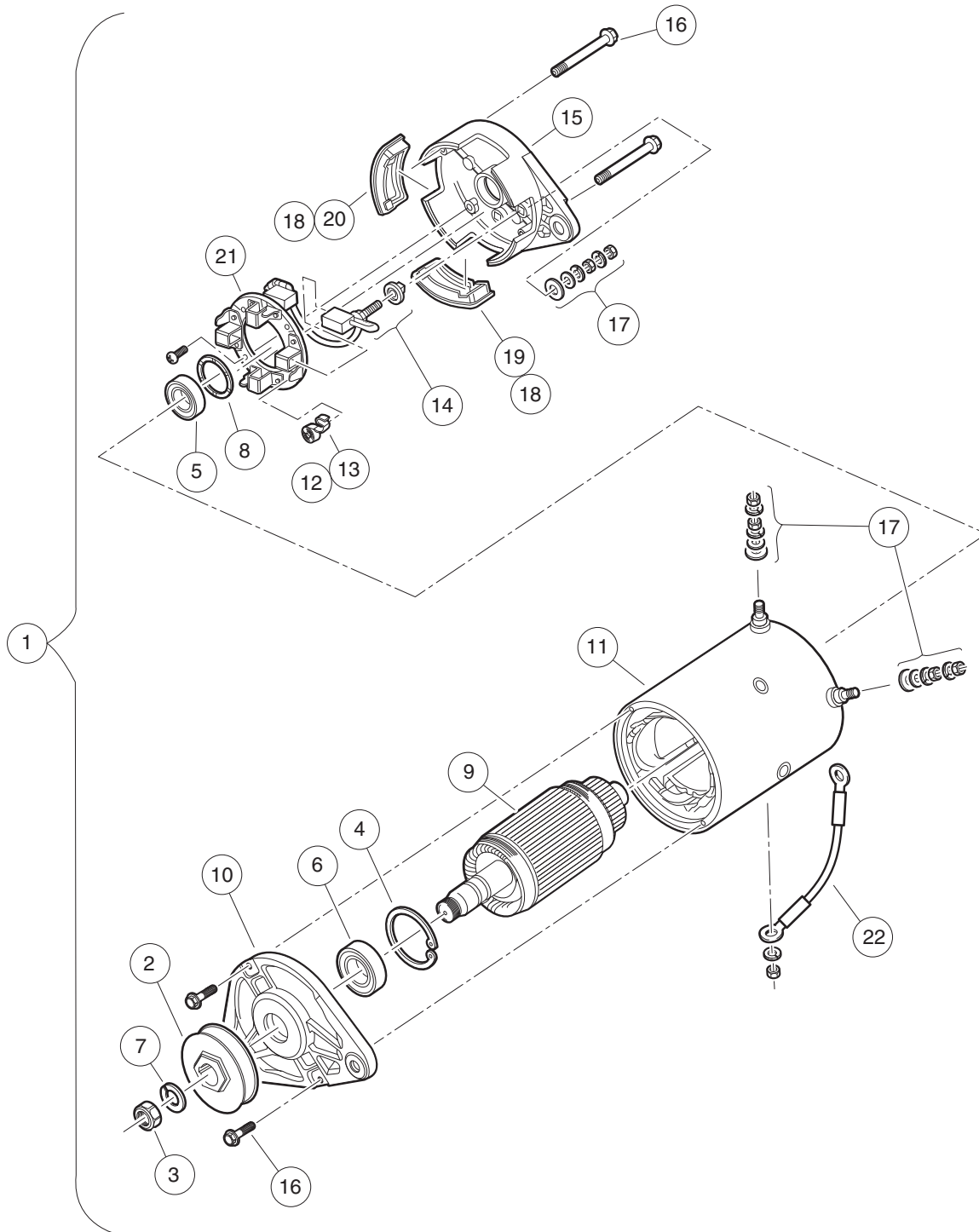


## WIRING, FUSES AND ECU – EFI

ITEM	PART NO.	DESCRIPTION	QTY
		<b>1 2 3 4</b>	
1	105007501	Harness, Wire, Main, Precedent (includes items 2 through 5) .....	1
2	1014789	Diode, General Purpose, 3.0-Amp .....	1
3	103924801	Fuse, Glass, 2-Amp .....	1
4	105081501	Fuse, ATM, 5-Amp .....	1
5	105081601	Fuse, ATM, 10-Amp .....	1
6	105008101	Harness, Wire, ECU/Engine .....	1
7	105008301	Wire Harness, Dash, Prec .....	1
8	105143301	Wire, Ground, Fuel Tank .....	1
9	105161701	Wire, 4-Ga, Green, Starter/Generator .....	1
10	105228801	Wire, Gnd, Engine, Prec .....	1

8

G



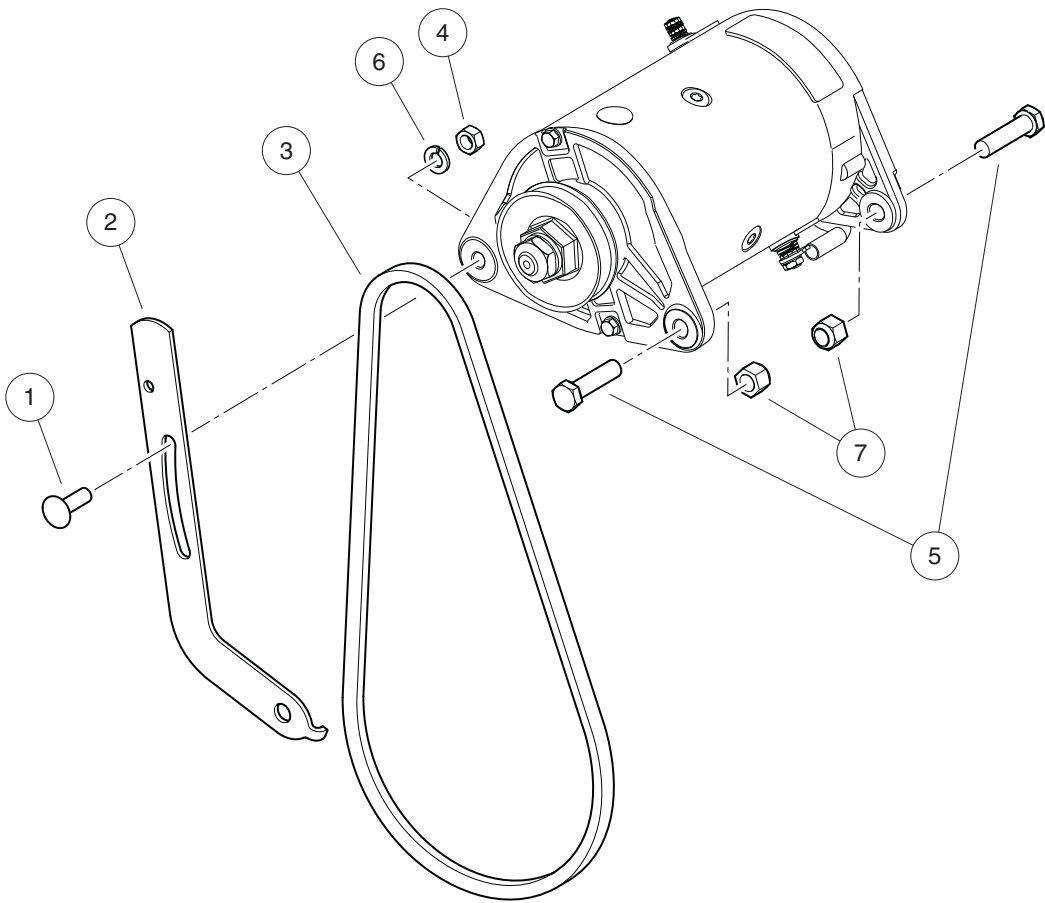
001016-001



## STARTER/GENERATOR (MODEL 114-05-4001), PEDAL-START – EFI

ITEM	PART NO.	DESCRIPTION	QTY
		1 2 3 4	
1	105190101	Starter/Generator, High-Torque, Utility, Pedal-Start (includes items 2 through 22) .....	1
2	1014289	Pulley, Starter/Generator .....	1
3	102838701	Nut, Hex, M14x2, S/G .....	1
4	102838801	Retainer, Front, S/G .....	1
5	102838901	Bearing, Ball, Front, S-g .....	1
6	102839001	Bearing, Ball, Front, S-g .....	1
7	102839301	Washer, Lock M14x2, S-g .....	1
8	102841101	Washer, Wave, S-g .....	1
9	N/A	Asm, Armature, Starter/Generator .....	1
10	102844601	Head, Drive End, S-g .....	1
11	102844701	Asm, Frame and Field, Starter/Generator .....	1
12	103347101	Kit, Spring Brush, Starter/Generator (includes item 13) .....	1
13	N/A	Spring, Brush, S-g .....	4
14	103347301	Set, Brush Term, S-g .....	1
15	103347601	Head, Comm End, S-g .....	1
16	103347701	Set, Fastener, Ceh Deh, S-g .....	1
17	103347801	Set, Term Hardware, S/G .....	1
18	103347901	Kit, Cover, Brush Insp, Starter/Generator (includes items 19 and 20) .....	1
19	N/A	Plug, Rubber Drain, Start/Generator .....	3
20	N/A	Cover, Inspection, S-g .....	1
21	103953301	Kit, Brush And Brush Holder .....	1
22	105161701	Wire, 4-Ga, Green, Starter/Generator .....	1

**8**  
**G**

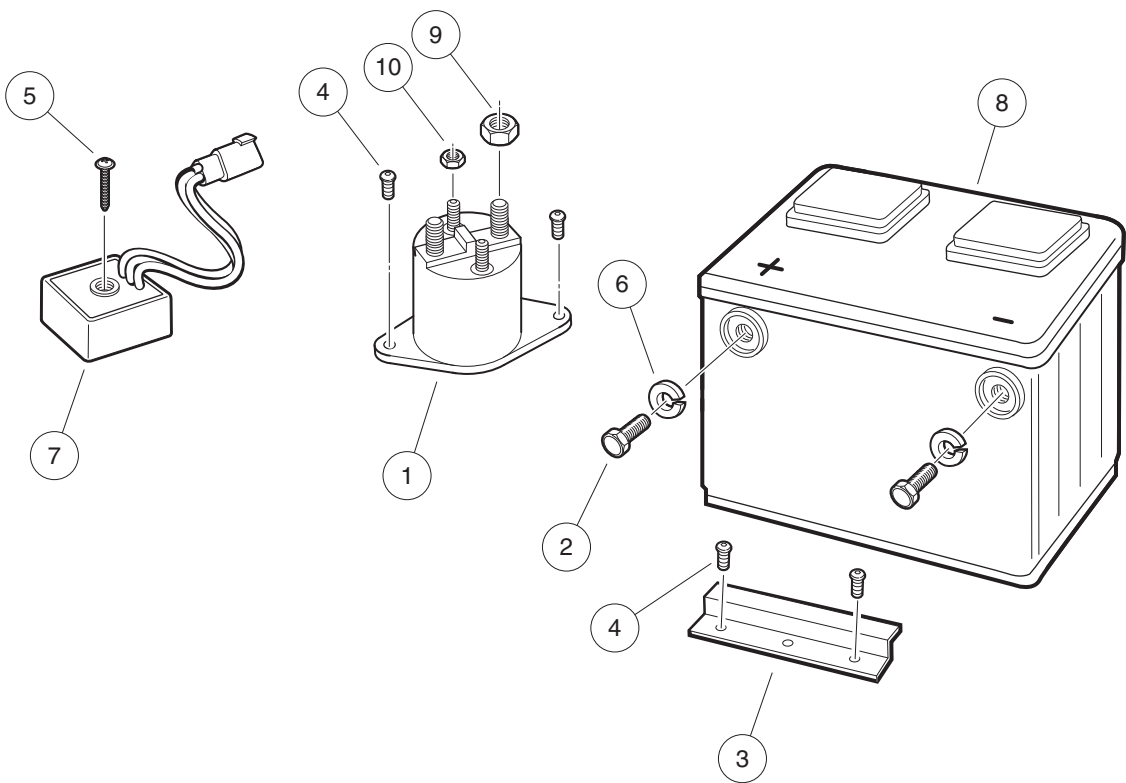


001009-001

## STARTER/GENERATOR MOUNTING – EX40

ITEM	PART NO.	DESCRIPTION	QTY
		<b>1 2 3 4</b>	
1	1015932	Bolt, Carriage, 5/16-18 .....	1
2	104005301	Bracket, Adjustable, Starter/Generator, EX40 .....	1
3	105205401	Belt, Sg, 871, Ex40 .....	1
4	1242	Nut, 5/16-18 Hex .....	1
5	1624	Screw, 3/8-16 X 1.50, Hex-Head Cap .....	2
6	7174	Lockwasher, 5/16 Split .....	1
7	8754	Locknut, 3/8-16 Hex .....	2

**8**  
**G**



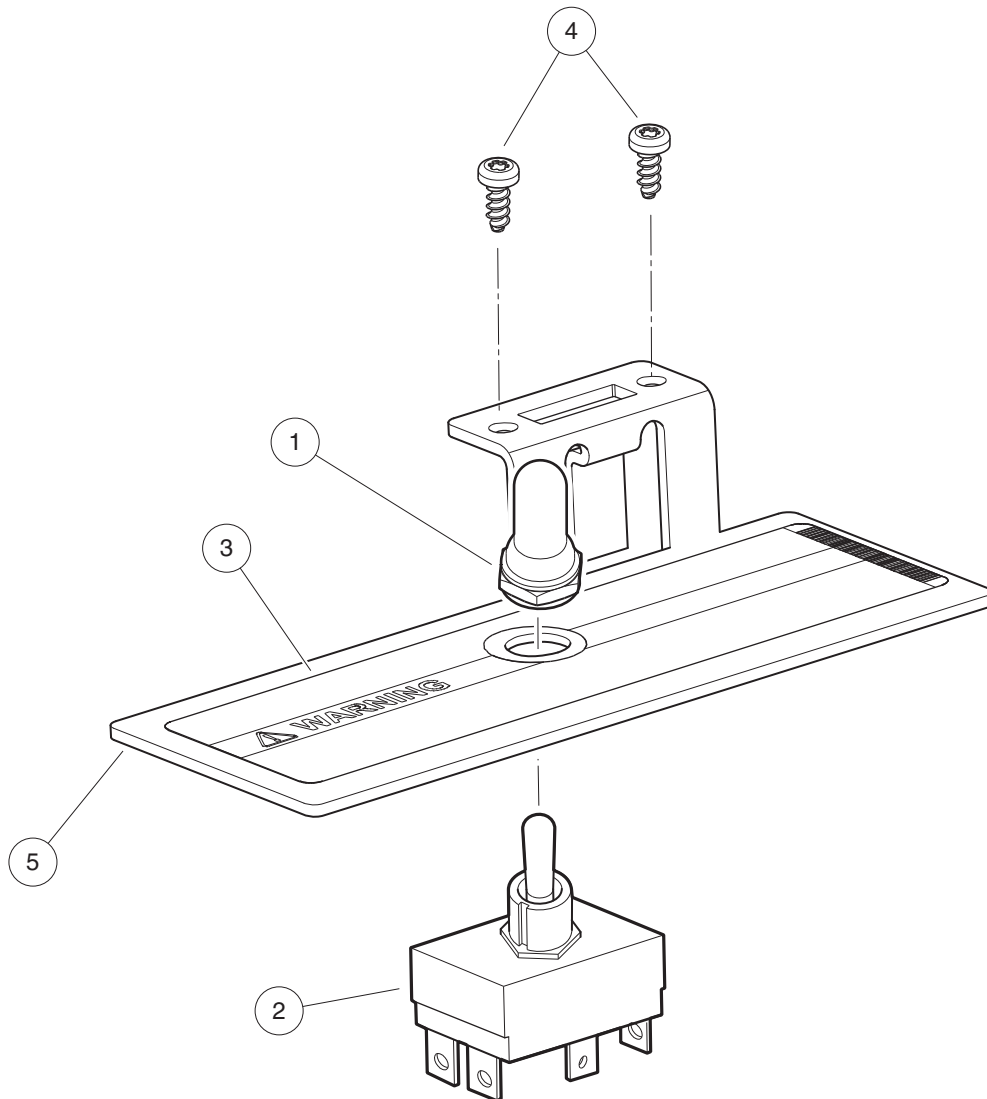
001057-001

## BATTERY, SOLENOID, VOLTAGE REGULATOR – EFI

ITEM	PART NO.	DESCRIPTION	QTY
		1 2 3 4	
1	1013609	Solenoid, 12-Volt .....	1
2	1014375	Screw, 3/8-16 X 0.50, Stainless Steel, Hex-Head .....	2
3	101898001	Clamp, Battery .....	1
4	102296020	Screw, Torx Pan Hd Pt, M6 X 20 .....	4
5	102296040	Screw, Torx Pan Hd Pt, M6 X 40 .....	1
6	102355301	Lockwasher, 3/8 Split Ss .....	2
7	102803301	Asm, Voltage Regulator, Prec. ....	1
8	103496801	Battery, Start, 12v .....	1
9	1242	Nut, 5/16-18 Hex .....	2
10	7893	Nut, #10-32 Hex .....	2

**8**

**G**



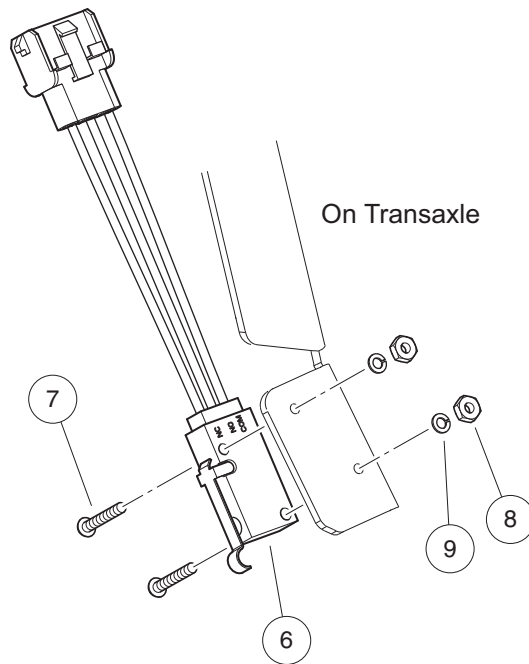
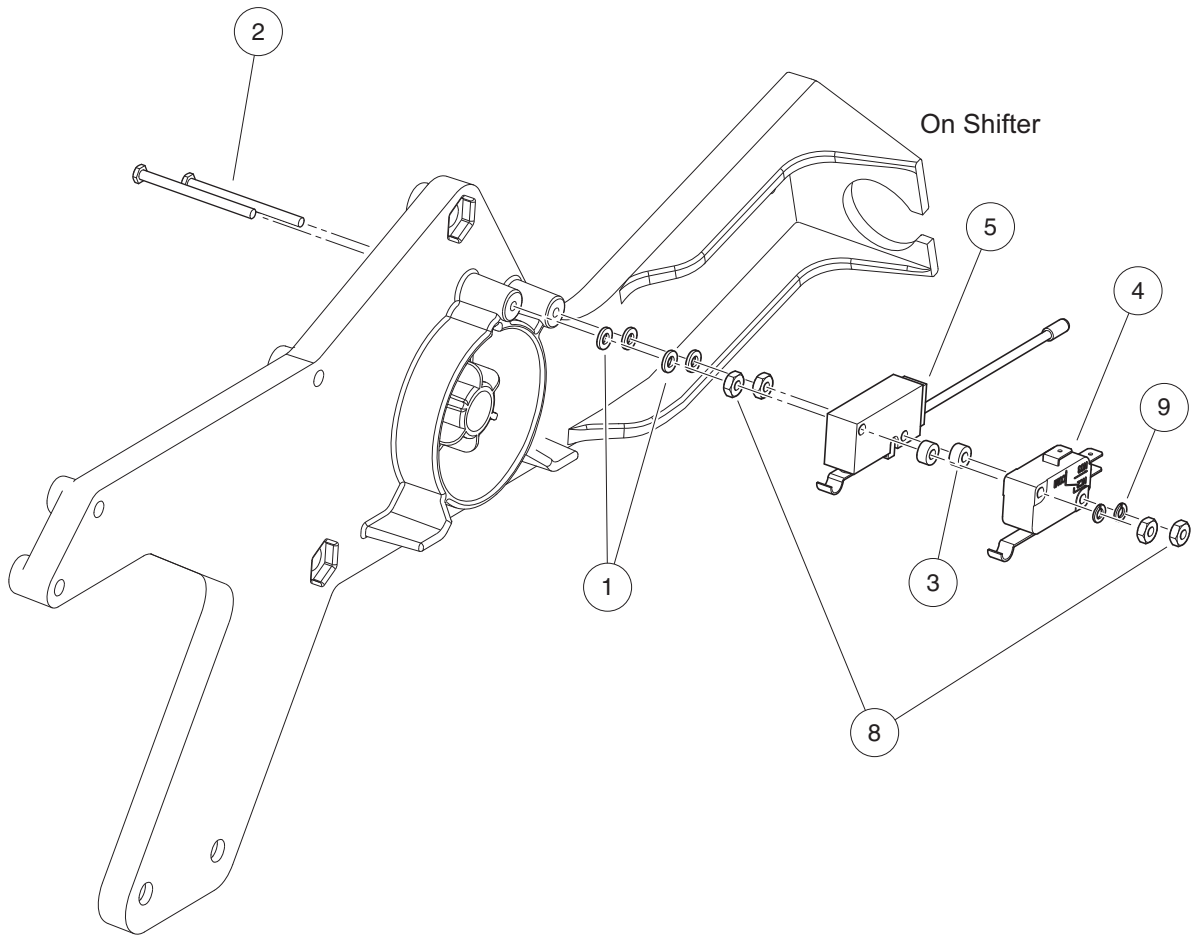
001058-001

# OPERATION AND MAINTENANCE SWITCH

ITEM	PART NO.	DESCRIPTION	QTY
		1 2 3 4	
1	101908401	Boot, Switch .....	1
2	103198401	Switch, Toggle, SPDT .....	1
3	103205501	Decal, Run/Service Switch .....	1
4	N/A	Screw, #6 X .75, Cs Ss, Hi-lo .....	2
5	105136501	Brkt, Hinge And Serv Switch .....	1

**8**  
**G**

**8**  
**G**



001013-001



## FORWARD/REVERSE SHIFTER SWITCHES – EFI

ITEM	PART NO.	DESCRIPTION	QTY
		1 2 3 4	
1	1012431	Washer, #4 Flat .....	4
2	1012594	Screw, #4-40 Machine .....	2
3	1014727	Washer, Flat, #4, Nylon .....	2
4	1014807	Switch, Limit .....	1
5	101979101	Switch, Limit, Assembly, Sealed .....	1
6	105102601	Switch, Limit, Sealed, with 3-Wire Lead .....	1
7	8056	Screw, #4-40 X 0.75 Round-Head Machine .....	2
8	8057	Nut, #4-40 Hex Machine .....	6
9	8058	Lockwasher, #4 Split .....	4

**8**

**G**

8

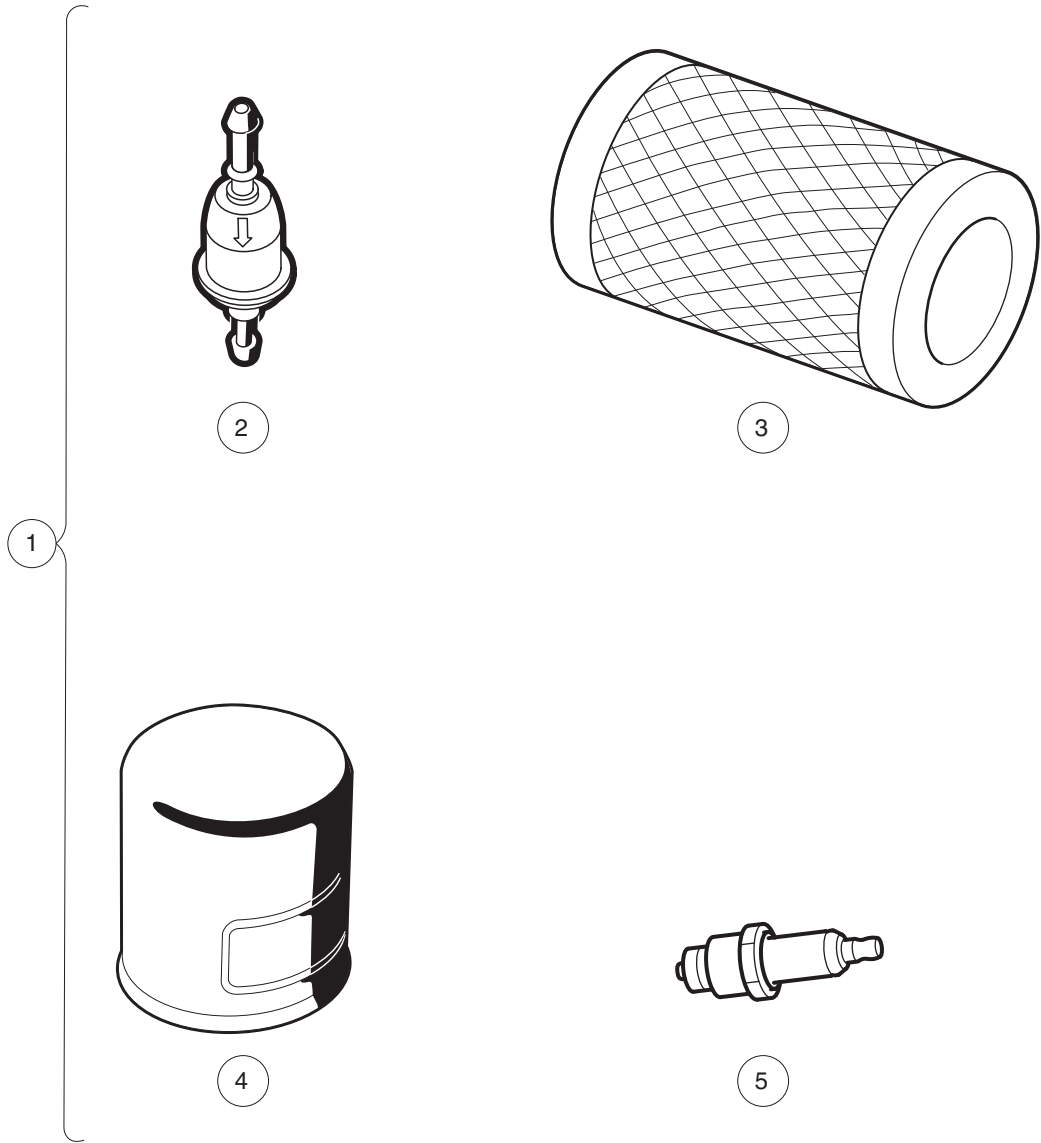
G

# ENGINE – KAWASAKI FE350

---

9

G



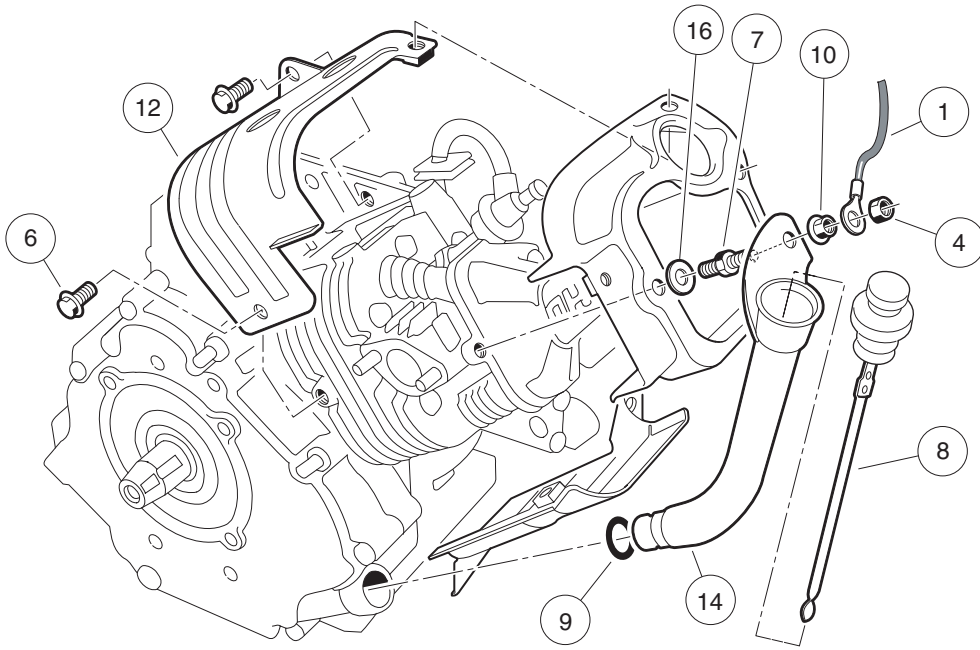
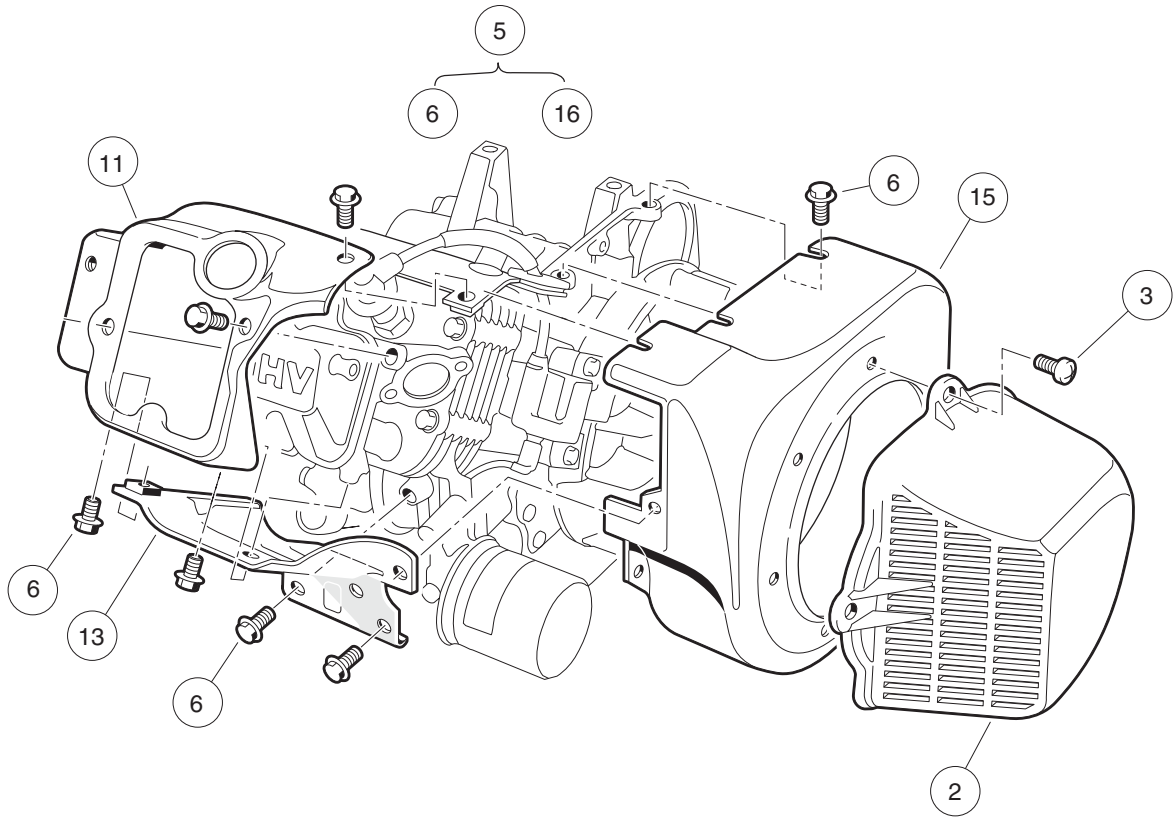
001064-001

## TUNE-UP KIT – KAWASAKI FE350

ITEM	PART NO.	DESCRIPTION	QTY
		1 2 3 4	
1	AM1220301	Kit, Tune-Up (For FE290 and FE350 engines) (includes items 2 through 5) .....	1
2	102003201	Filter, Fuel, 30 Micron .....	1
3	102558201	Air Filter, 4 Inch .....	1
4	103887901	Filter, Oil, Kawasaki .....	1
5	AM1232301	Spark Plug, BPR2ES .....	1

9

G



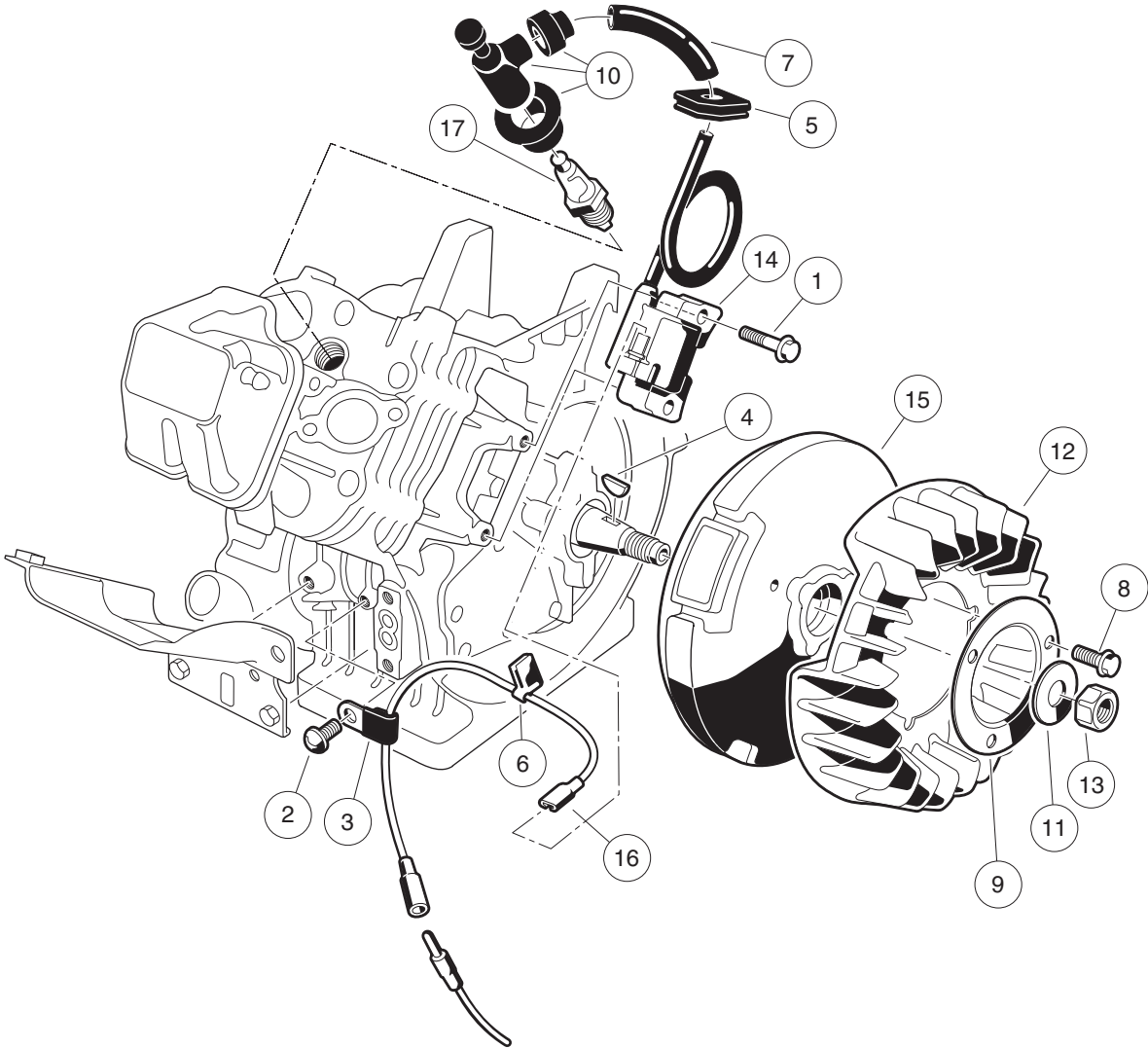
000201-002

## FE350 ENGINE (AS26) – SHROUDS AND BRACKETS

ITEM	PART NO.	DESCRIPTION	QTY
		1 2 3 4	
1	1015332	Wire, Ground, #10, Uninsulated .....	1
2	1015649	Shroud, Fan .....	1
3	1015969	Screw, M6-1.00 X 10mm, Pan Hd .....	4
4	101887601	Locknut, M6-1.00 Nylon Insert .....	1
5	103386201	Engine, FE350 S26 (includes items 6 through 16) .....	1
6	1016456	Bolt, Flange Head, M6 x 1 x 12 mm .....	16
7	1016507	Bolt, Two-Ended .....	1
8	1016531	Dipstick .....	1
9	1016539	O-Ring .....	1
10	1016547	Nut, M6 Flange .....	1
11	1017474	Shroud, Engine .....	1
12	1017475	Shroud, Engine .....	1
13	1017476	Shroud, Engine .....	1
14	1017486	Tube, Oil Filler .....	1
15	101916101	Housing, FE350 Fan .....	1
16	N/A	Washer, 6mm Flat .....	2

**9**

**G**



000202-004

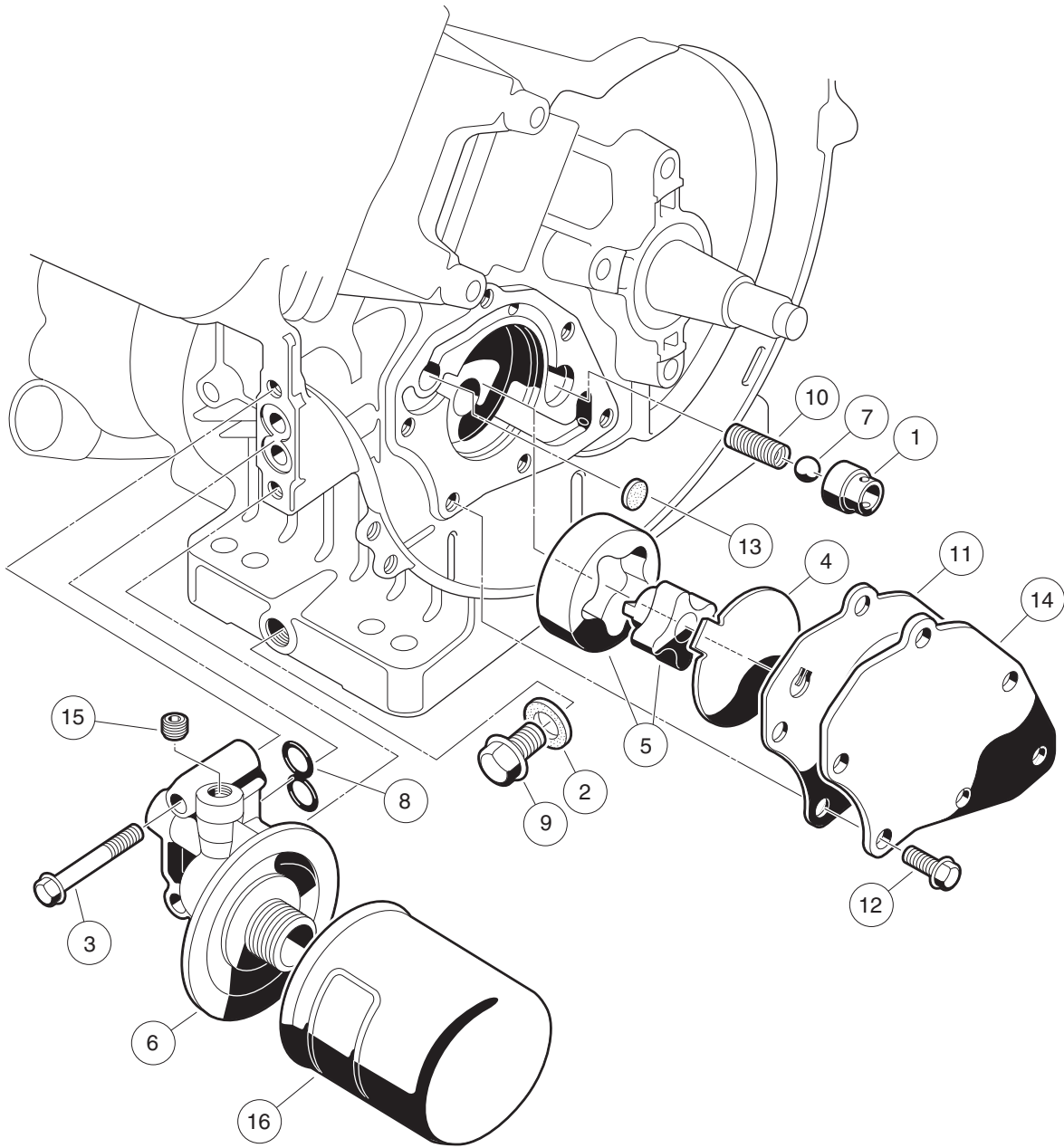


## FE350 ENGINE (AS26)- IGNITION COMPONENTS AND FLYWHEEL

ITEM	PART NO.	DESCRIPTION	QTY
		1 2 3 4	
1	1016455	Bolt, Flange Head .....	2
2	1016544	Screw .....	1
3	1016561	Clamp .....	1
4	1016562	Key .....	1
5	1016578	Grommet, Ignition .....	1
6	1016587	Clamp .....	1
7	1016588	Tube, 7mm X 10mm X 70mm .....	1
8	1017448	Bolt, Flanged .....	3
9	1017455	Plate, Flywheel Fan .....	1
10	1017463	Cap Asm, Plug .....	1
11	1017490	Washer, Flat .....	1
12	101916301	Fan (cw) .....	1
13	102838401	Nut, Hex, 18 mm Fine .....	1
14	103616501	Coil Asm, Ignition .....	1
15	103616601	Flywheel, Complete .....	1
16	103616701	Wire Lead, Ignition .....	1
17	AM1232301	Spark Plug, BPR2ES .....	1

9

G



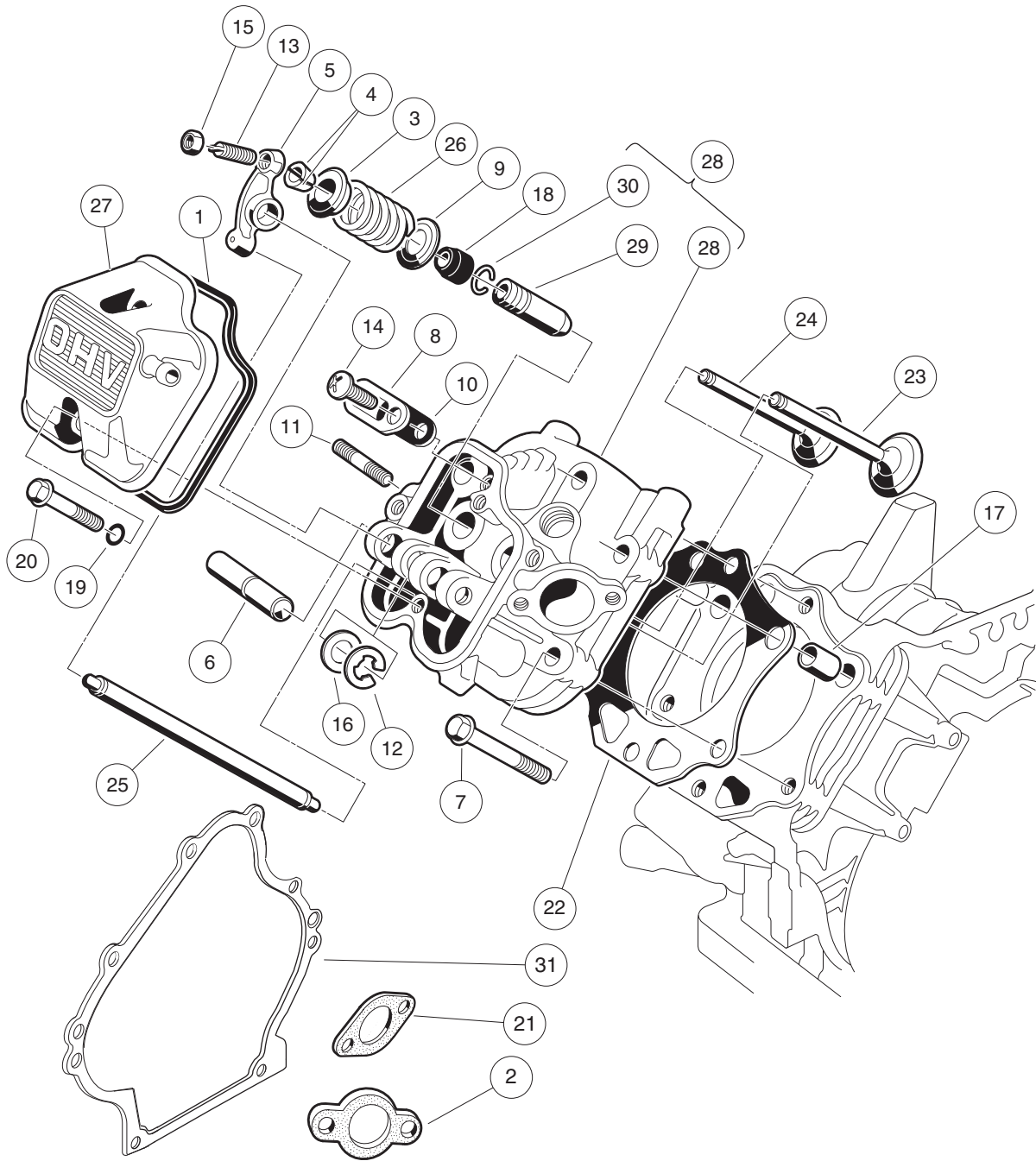
000203-002

## FE350 ENGINE (AS26)- OIL CIRCULATION

ITEM	PART NO.	DESCRIPTION	QTY
		1 2 3 4	
1	1016429	Seat, Valve Oil Pressure Relief .....	1
2	1016432	Gasket, Drain Plug .....	1
3	1016457	Bolt, Flange Head .....	2
4	1016473	Plate, Oil Pump .....	1
5	101648203	Oil Pump And Rotor .....	1
6	1016502	Bracket, Oil Filter Mount .....	1
7	1016537	Ball, Steel, Press, Relief .....	1
8	1016570	O-Ring .....	1
9	1016576	Plug, Drain .....	1
10	1016581	Spring .....	1
11	1017442	Gasket .....	1
12	1017456	Bolt, Flanged .....	6
13	1017458	Filter .....	1
14	1017460	Cover, Pump .....	1
15	1017507	Plug .....	2
16	103887901	Filter, Oil, Kawasaki .....	1

9

G



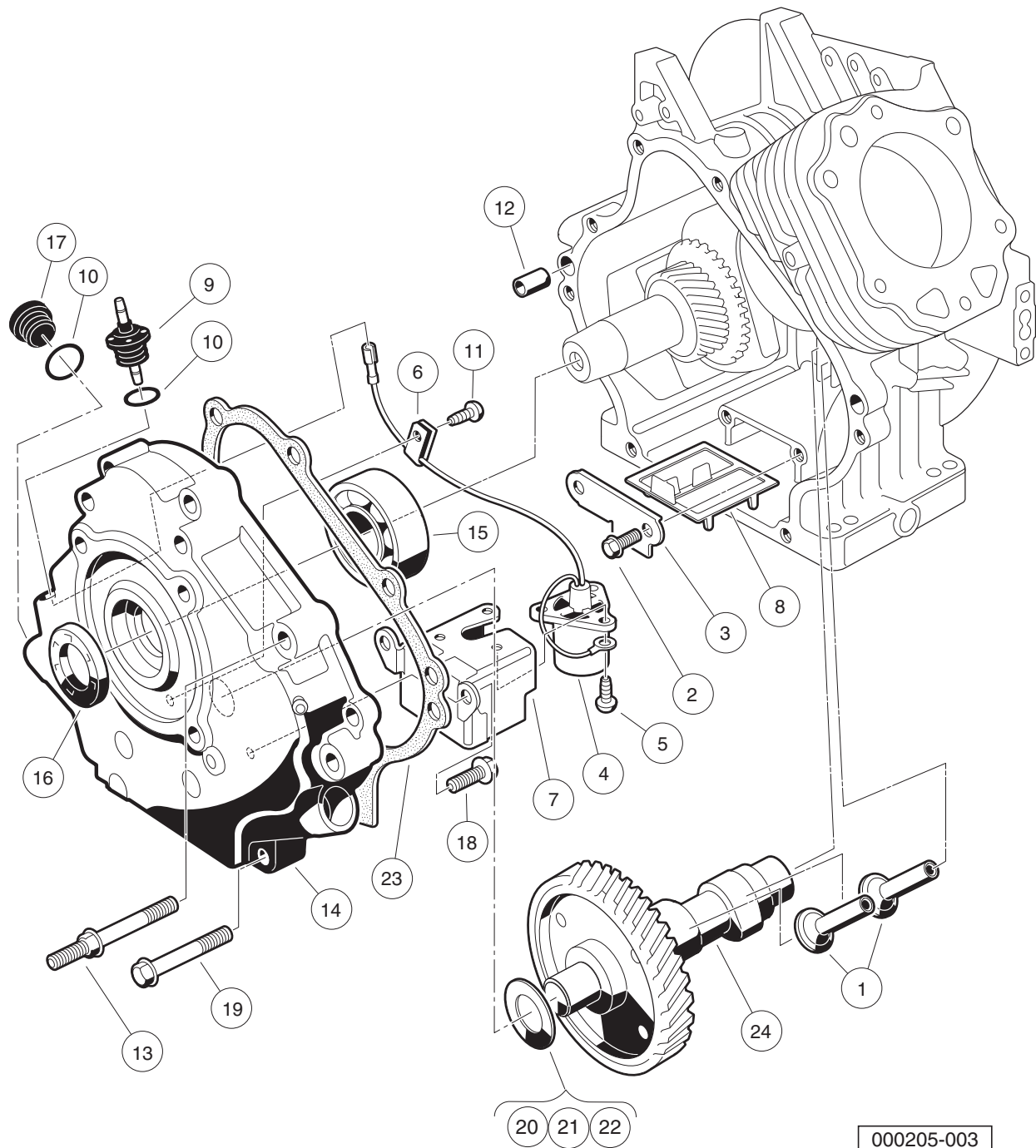
000204-006

## FE350 ENGINE (AS26)- CYLINDER HEAD

ITEM	PART NO.	DESCRIPTION	QTY
		1 2 3 4	
1	1016436	Gasket, Rocker Case .....	1
2	1016440	Gasket, Engine to Insulator .....	1
3	1016449	Retainer, Valve Spring .....	2
4	1016450	Collet .....	4
5	1016451	Arm, Rocker .....	2
6	1016452	Shaft, Rocker .....	1
7	1016458	Bolt, Flange Head, M8 x 1.25 x 45 mm .....	6
8	1016474	Plate .....	1
9	1016479	Seat, Spring .....	2
10	1016483	Valve .....	1
11	1016489	Stud, Two-Ended, M8-1.25 .....	2
12	1016517	Circlip, Type-E .....	1
13	1016542	Screw .....	2
14	1016544	Screw .....	1
15	1016545	Nut .....	2
16	1016549	Washer, 12.1x19x1.8 .....	1
17	1016563	Pin .....	2
18	1016566	Seal, Oil .....	2
19	1016569	O-Ring .....	2
20	1016583	Bolt, 6x35 .....	2
21	1016904	Gasket, Exhaust .....	1
22	1017434	Gasket, Head .....	1
23	1017444	Valve, Intake .....	1
24	1017445	Valve, Exhaust .....	1
25	1017454	Rod, Push .....	2
26	1017473	Spring, Engine Valve .....	2
27	102753401	Case, Rocker, Fe .....	1
28	103615601	Cylinder Head (includes items 29 and 30) .....	1
29	1016519	Guide, Valve, Intake, Exhaust .....	2
30	1016560	Snap Ring .....	2
31	103615901	Gasket, Crankcase Cover .....	1
		Note: Item 2, 1016440 shown above, is not a component of the FE350 engine.	

**9**

**G**

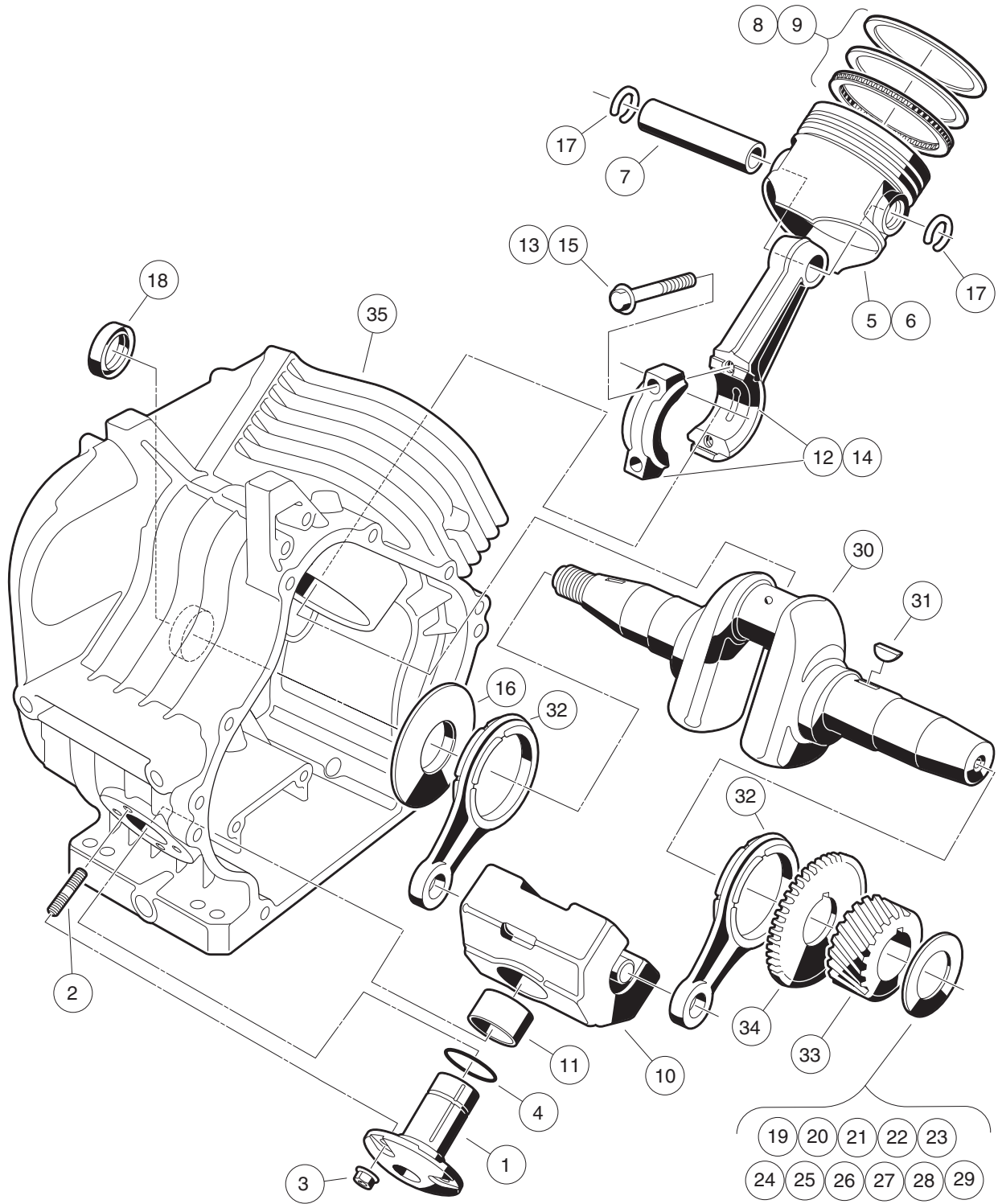


000205-003

# FE350 ENGINE (AS26)- CRANKCASE, CAMSHAFT, AND OIL SENSOR

ITEM	PART NO.	DESCRIPTION	QTY
		1 2 3 4	
1	1016453	Tappet .....	2
2	1016454	Bolt, Flange Head, M5 x 0.8 x 8 mm .....	2
3	1016472	Plate, Oil Filter Screen .....	1
4	1016494	Sensor, Oil Level .....	1
5	1016496	Screw, Cross Pan-Head, M4 x 0.7 x 8 mm .....	3
6	1016506	Clamp .....	1
7	1016510	Bracket, Switch, Oil Level .....	1
8	1016521	Screen, Oil Filter .....	1
9	1016535	Connector, Cord .....	1
10	1016538	O-Ring .....	2
11	1016544	Screw .....	1
12	1016564	Pin .....	2
13	1016584	Bolt, Two-Ended, M8 x 1.25 x 69 mm .....	2
14	1017472	Cover Crankcase .....	1
15	1017487	Bearing, Ball .....	1
16	1017504	Seal, Oil .....	1
17	1017508	Plug .....	1
18	1017513	Bolt Switch Bracket .....	2
19	1017514	Screw, M8-1.25 X 45mm Hex .....	6
20	101751801	Shim, 0.3 .....	1
21	101751802	Shim, 0.4 .....	1
22	101751803	Shim, 0.5 .....	1
23	103615901	Gasket, Crankcase Cover .....	1
24	103616401	Camshaft, Complete .....	1

**9**  
**G**



000206-003

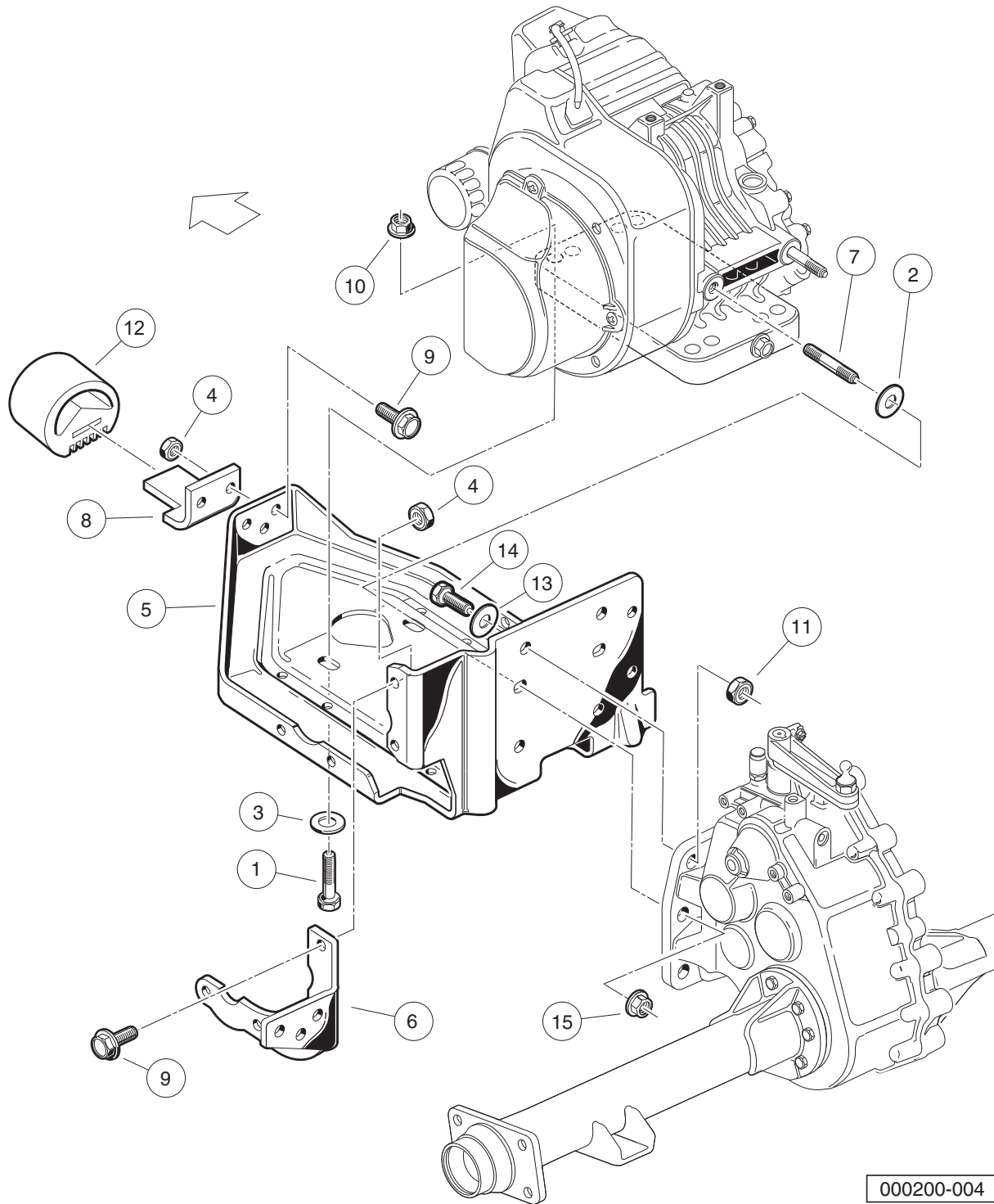


# FE350 ENGINE (AS26)- CRANKCASE AND CRANKSHAFT

ITEM	PART NO.	DESCRIPTION	QTY
		1 2 3 4	
1	1016470	Shaft, Guide, Counterbalance .....	1
2	1016541	Stud, 6x14 .....	4
3	1016547	Nut, Flanged, M6 X 1.00 .....	4
4	1016571	O-Ring .....	1
5	101744901	Piston, Standard .....	1
6	101744902	Piston, 0.50 mm Oversize .....	1
7	1017450	Pin, Piston .....	1
8	101745101	Ring Set, Standard Piston .....	1
9	101745102	Ring Set, Piston, 0.50 mm Oversize .....	1
10	1017453	Counterbalance Weight (includes item 11) .....	1
11	1017510	Bearing, Plain .....	1
12	101745701	Asm, Con. Rod Std (includes item 13) .....	1
13	1017512	Bolt .....	2
14	101745702	Asm,Con.Rod 0.5mm U/s (includes item 15) .....	1
15	1017512	Bolt .....	2
16	1017501	Spacer .....	1
17	1017502	Snap Ring .....	2
18	1017503	Seal, Oil .....	1
19	101773301	Shim, Crankshaft, 1.18mm .....	1
20	101773302	Shim, Crankshaft, 1.25mm .....	1
21	101773303	Shim, Crankshaft, 1.32mm .....	1
22	101773304	Shim, Crankshaft, 1.39mm .....	1
23	101773305	Shim, Crankshaft, 1.46mm .....	1
24	101773306	Shim, Crankshaft, 1.53mm .....	1
25	101773307	Shim, Crankshaft, 1.60mm .....	1
26	101773308	Shim, Crankshaft, 1.67mm .....	1
27	101773309	Shim, Crankshaft, 1.74mm .....	1
28	101773310	Shim, Crankshaft, 1.11mm .....	1
29	101773311	Shim, Crankshaft, 1.81mm .....	1
30	102430901	Crankshaft, FE350 Left-Hand, 22-Tooth (includes items 31 through 34) .....	1
31	1016562	Key .....	1
32	1017471	Rod .....	2
33	N/A	Gear, Helical .....	1
34	N/A	Gear, Spur .....	1
35	103615801	Crankcase, FE350 .....	1

**9**

**G**



## FE350 ENGINE (AS26)- MOUNTING

ITEM	PART NO.	DESCRIPTION	QTY
		<b>1 2 3 4</b>	
1	1010577	Bolt, Hex-Head, 5/16-18 X 1.50 .....	4
2	1011697	Washer, 5/16 Flat .....	2
3	1012571	Washer, 5/16 Extra Thick Flat .....	4
4	1013924	Nut, 5/16-24, Hex Head Cone .....	6
5	101827101	Plate, Engine Mounting .....	1
6	101832701	Stiffener (Flywheel Side) .....	1
7	101833101	Stud, M8-1.25 X 50 mm Two-Ended .....	2
8	101834601	Bracket, Snubber .....	1
9	101884801	Screw, 5/16-24 X 0.875, Grade-8 .....	6
10	101963401	Locknut, 5/16-18 Hex Flange .....	4
11	102065901	Locknut, 3/8-16 Flanged Dimple .....	4
12	102540301	Snubber, Inner Frame .....	1
13	334	Washer, 3/8, Type A, Flat .....	4
14	705	Screw, Cap-hex Hd 3/8-16x1.25 .....	4
15	96704416	Nut, Flange, M8 X 1.25 Serrated .....	2

**9**

**G**

9

G

# ENGINE – SUBARU EX40

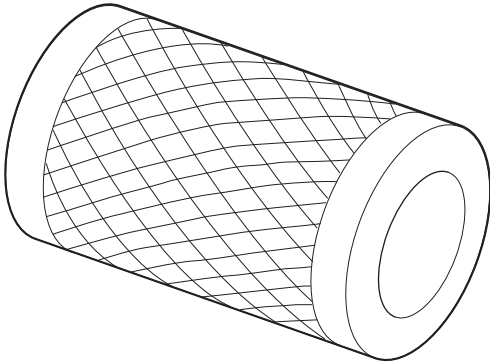
---

10

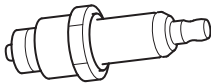
G

10

G



1



2

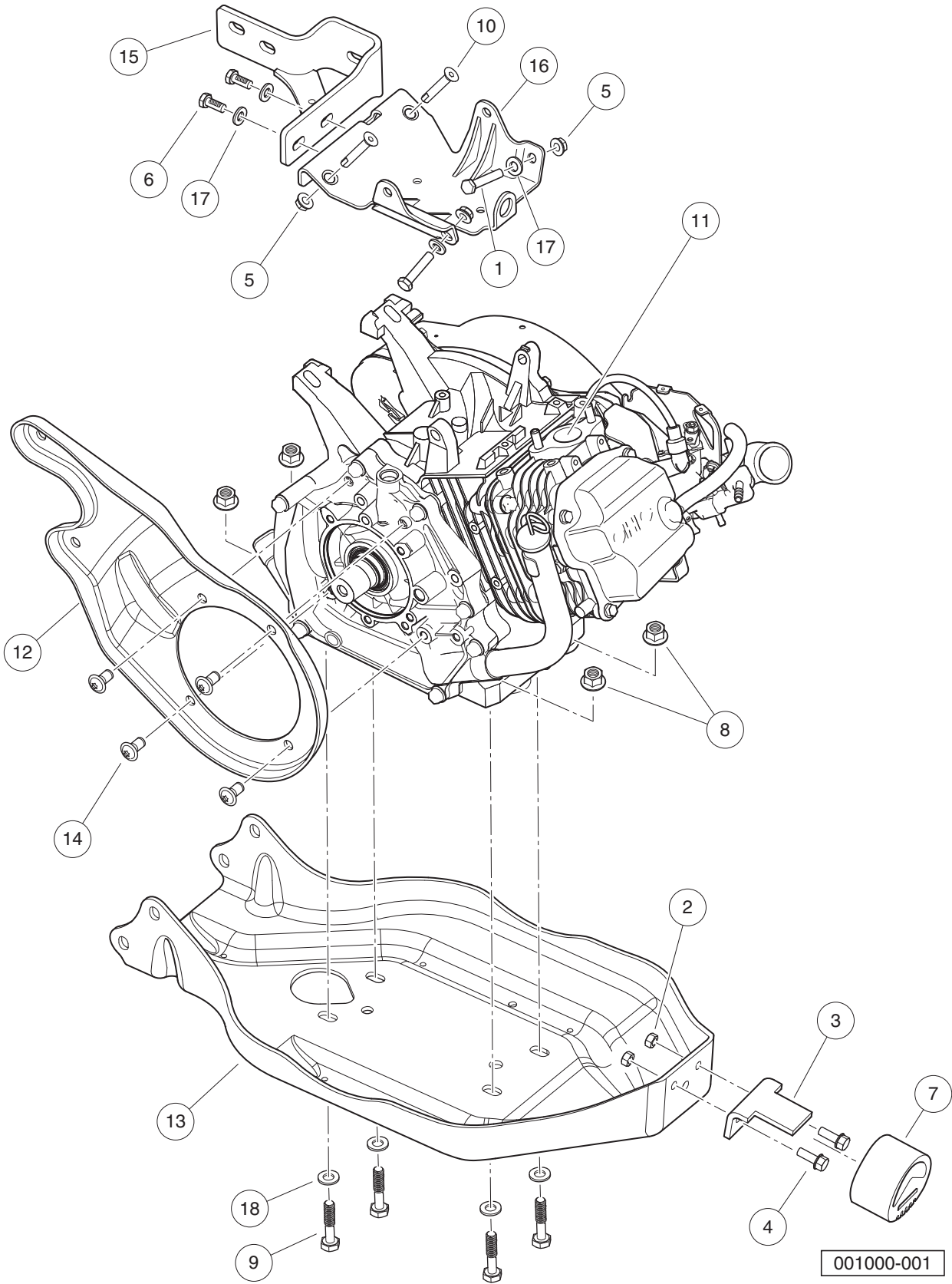
000992-003

## TUNE-UP PARTS – SUBARU EX40

ITEM	PART NO.	DESCRIPTION	QTY
		1 2 3 4	
1	102558201	Air Filter, 4 Inch .....	1
2	105017801	Spark Plug, Subaru EX40 .....	1

10

G

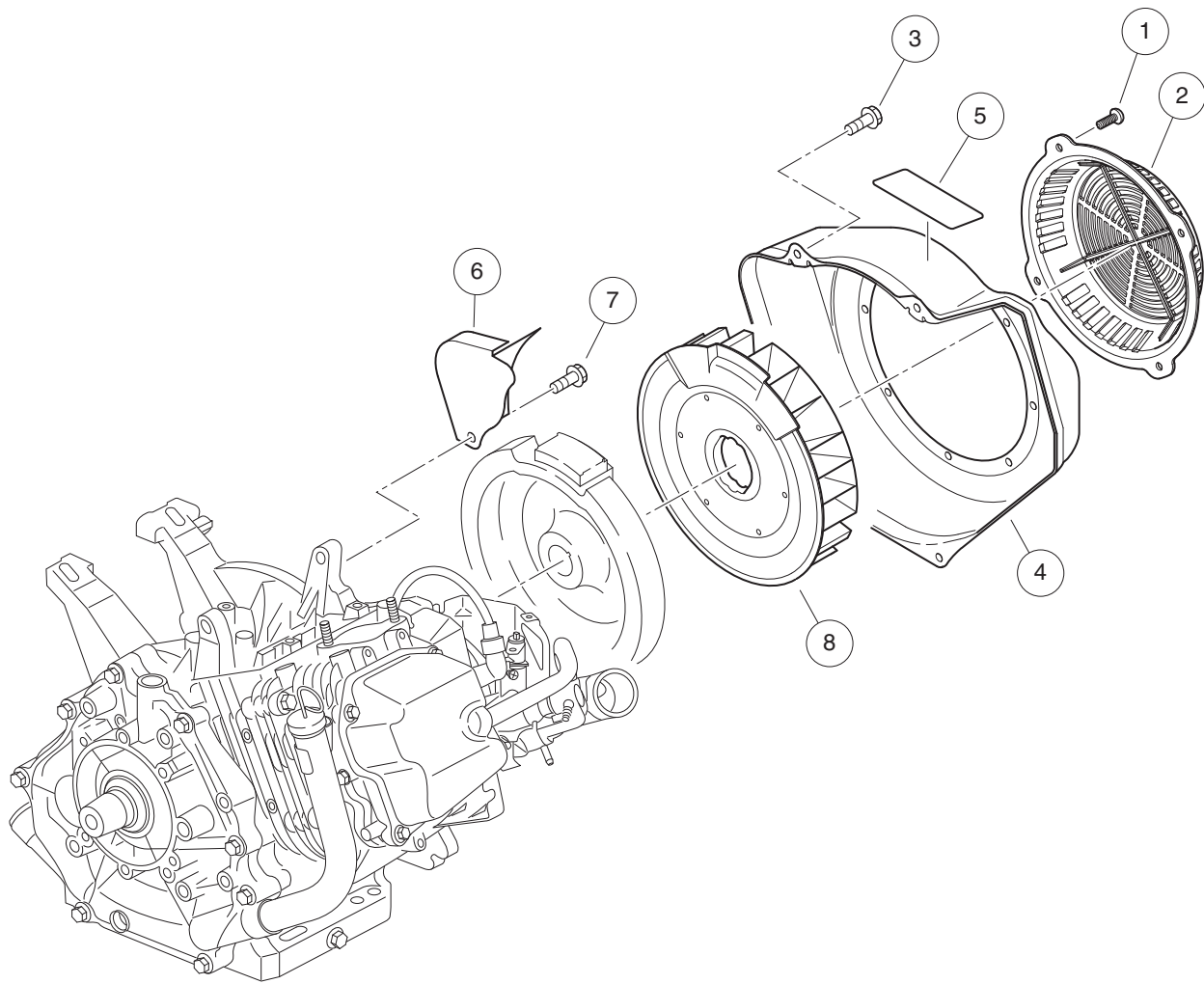




## ENGINE AND ENGINE MOUNTING, PRECEDENT – EX40

ITEM	PART NO.	DESCRIPTION	QTY
		1 2 3 4	
1	1010577	Bolt, Hex-Head, 5/16-18 X 1.50 .....	2
2	1013924	Nut, 5/16-24, Hex Head Cone .....	2
3	101834601	Bracket, Snubber .....	1
4	101884801	Screw, 5/16-24 X 0.875, Grade-8 .....	2
5	101963401	Locknut, 5/16-18 Hex Flange .....	4
6	102242101	Screw, 5/16-18 X 3/4 Hex-Head with Patch .....	2
7	102540301	Snubber, Inner Frame .....	1
8	102617201	Nut, Flanged, M10 X 1.5, Mechanically Deformed .....	4
9	102732401	Bolt, M10 X 45, Zn-Ni (Black) .....	4
10	103196202	5/16-18x1.75, Bolt, Loctite .....	2
11	103882801	Engine, Gas, Subaru EX40, EFI .....	1
12	103979401	Plate, Mounting, CVT, Center .....	1
13	103982201	Plate, Engine/Axle Mounting .....	1
14	103996201	Screw, 3/8-16 X .75, Btn Hd Cap .....	4
15	105134601	Bracket,†Mounting,†Transaxle/Exhaust,†EX40 .....	1
16	105149301	Bracket,†Mounting, Starter/Generator,†EX40 .....	1
17	1241	Washer, 5/16 Type A Flat .....	4
18	96741046	Washer, M10, Hard .....	4

**10**  
**G**



001001-001

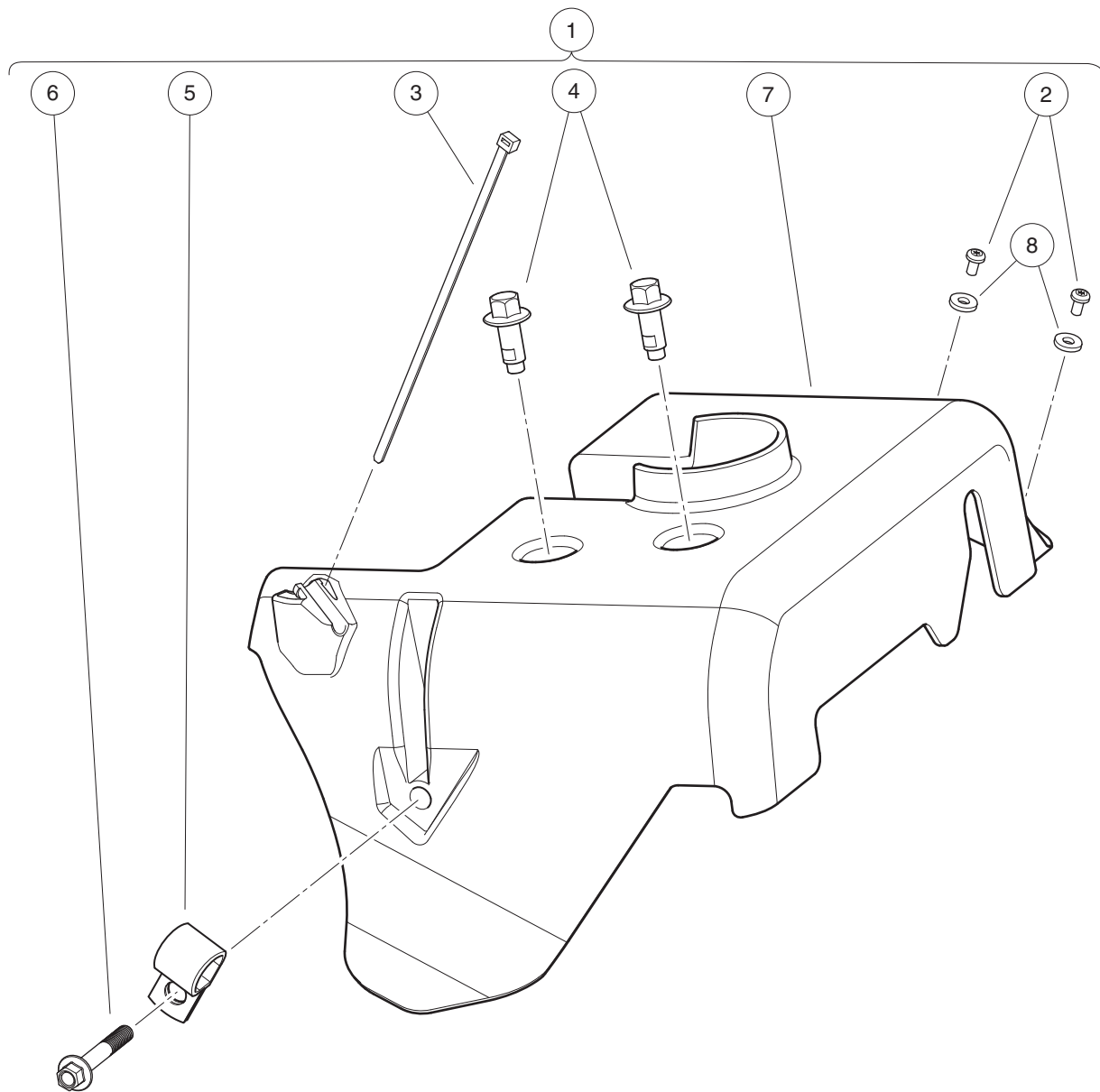
# FAN AND SHROUD – EX40

ITEM	PART NO.	DESCRIPTION	QTY
		<b>1 2 3 4</b>	
1	1015969	Screw, M6-1.00 X 10mm, Pan Hd .....	4
2	103995901	Cover, Fan, EX40 .....	1
3	105012601	Bolt, Flange, M6x1.0x12, EX40 .....	4
4	105016701	Housing, Fan, EX40 .....	1
5	105016801	Label, Engine Warning, EX40 .....	1
6	105016901	Baffle, Crankcase, EX40 .....	1
7	105017001	Bolt, Baffle, M8x1.25x12 Ex40 .....	1
8	105017101	Fan, Cooling, EX40 .....	1

10

G

**10**  
**G**



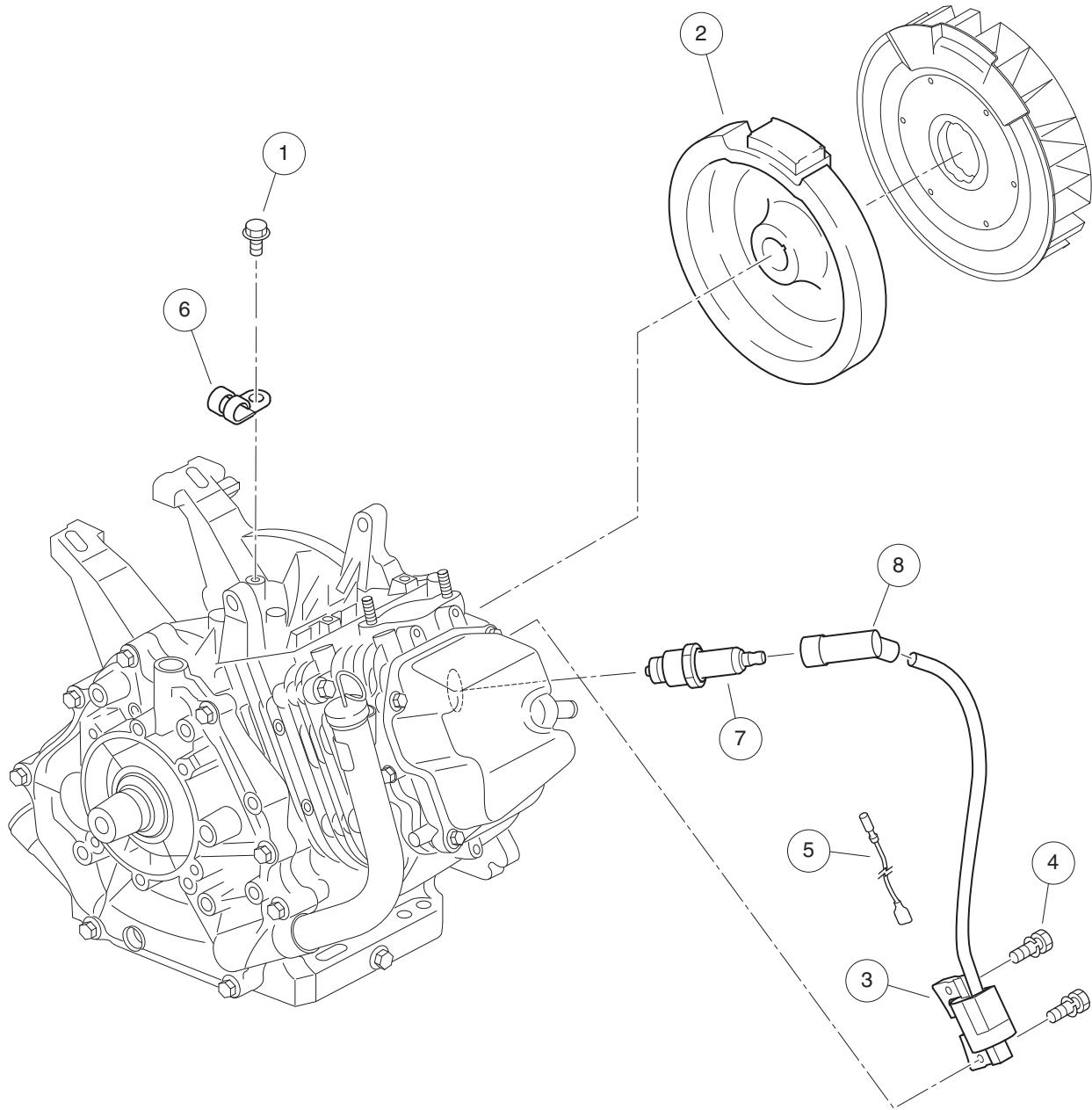
001002-001

# AIR DEFLECTOR – EX40

ITEM	PART NO.	DESCRIPTION	QTY
		1 2 3 4	
1	105084801	Kit, Air Deflector, Subaru EX40 (includes items 2 through 8) .....	1
2	1016103	Screw, Pan Hd Tx, Taptite 6-32 .....	2
3	101824101	Tie Wrap, Black .....	1
4	102298116	Bolt, Flanged Head, M8 X 16.0 .....	2
5	102410604	P-clamp, Insulated, 0.625 Inch .....	1
6	102541402	Bolt, M6x1.0x40, Hex Flange Head, Blk-l .....	1
7	105075301	Deflector, Air, Subaru EX40 .....	1
8	7591	Washer, #6, Flat .....	2

10

G

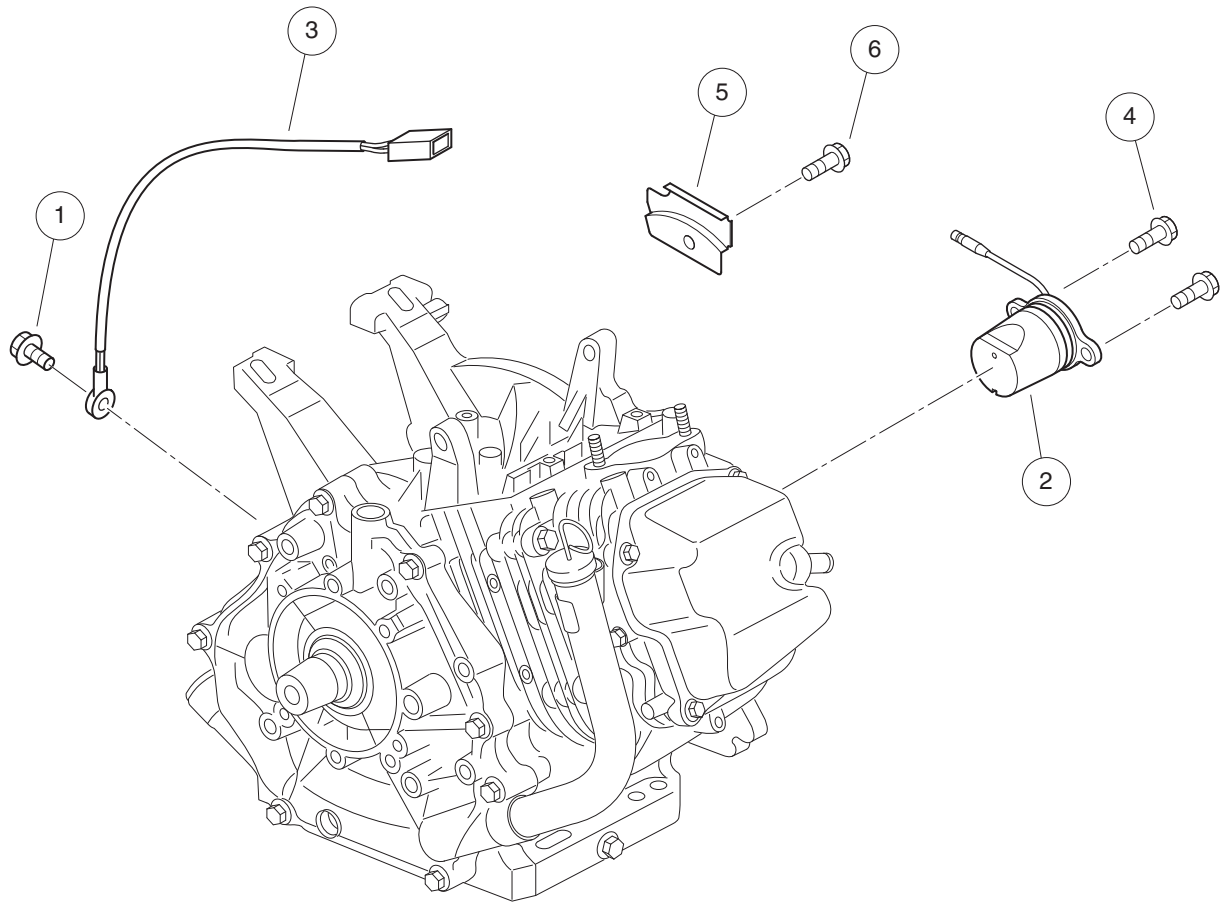


001003-001

## IGNITION COMPONENTS AND FLYWHEEL – EX40

ITEM	PART NO.	DESCRIPTION	QTY
		1 2 3 4	
1	105016001	Bolt, Flange, M6x1.0x8, EX40 .....	1
2	105017301	Flywheel, EX40 .....	1
3	105017401	Coil, Ignition, CDI, EX40 .....	1
4	105017501	Asm, Bolt-Washer, Coil, EX40 .....	2
5	105017601	Asm, Wire, Coil Control, EX40 .....	1
6	105017701	Clamp, Coil Control Wire, EX40 .....	1
7	105017801	Spark Plug, Subaru EX40 .....	1
8	105017901	Cap, Spark Plug, EX40 .....	1

**10**  
**G**



001004-001

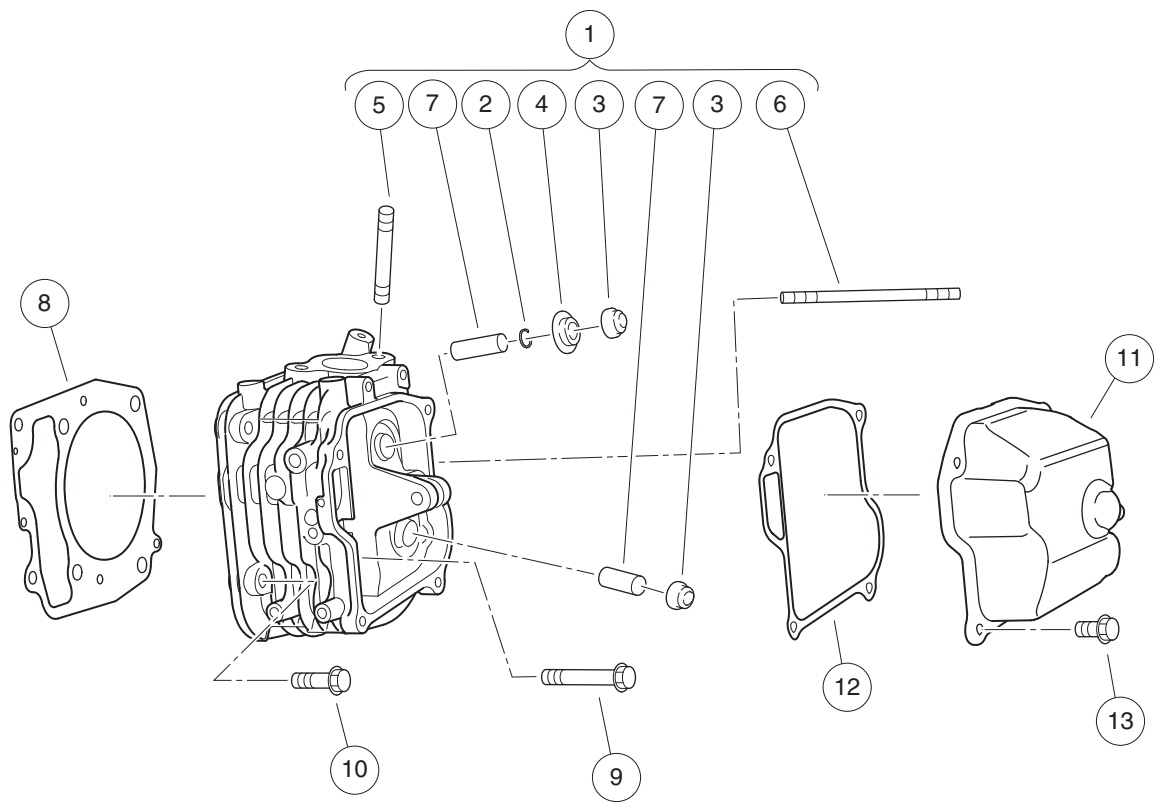


# SENSORS – EX40

ITEM	PART NO.	DESCRIPTION	QTY
		1 2 3 4	
1	105012601	Bolt, Flange, M6x1.0x12, EX40 .....	1
2	105018001	Sensor, Oil Level, EX40 .....	1
3	105018101	Sensor, Temperature, EX40 .....	1
4	105018201	Bolt, Oil Sensor, M6x1.0x14, EX40 .....	2
5	105018301	Clamp, Oil Sensor Wire, EX40 .....	1
6	105018401	Bolt, Tap, Oil Wire Clamp, EX40 .....	1

10

G



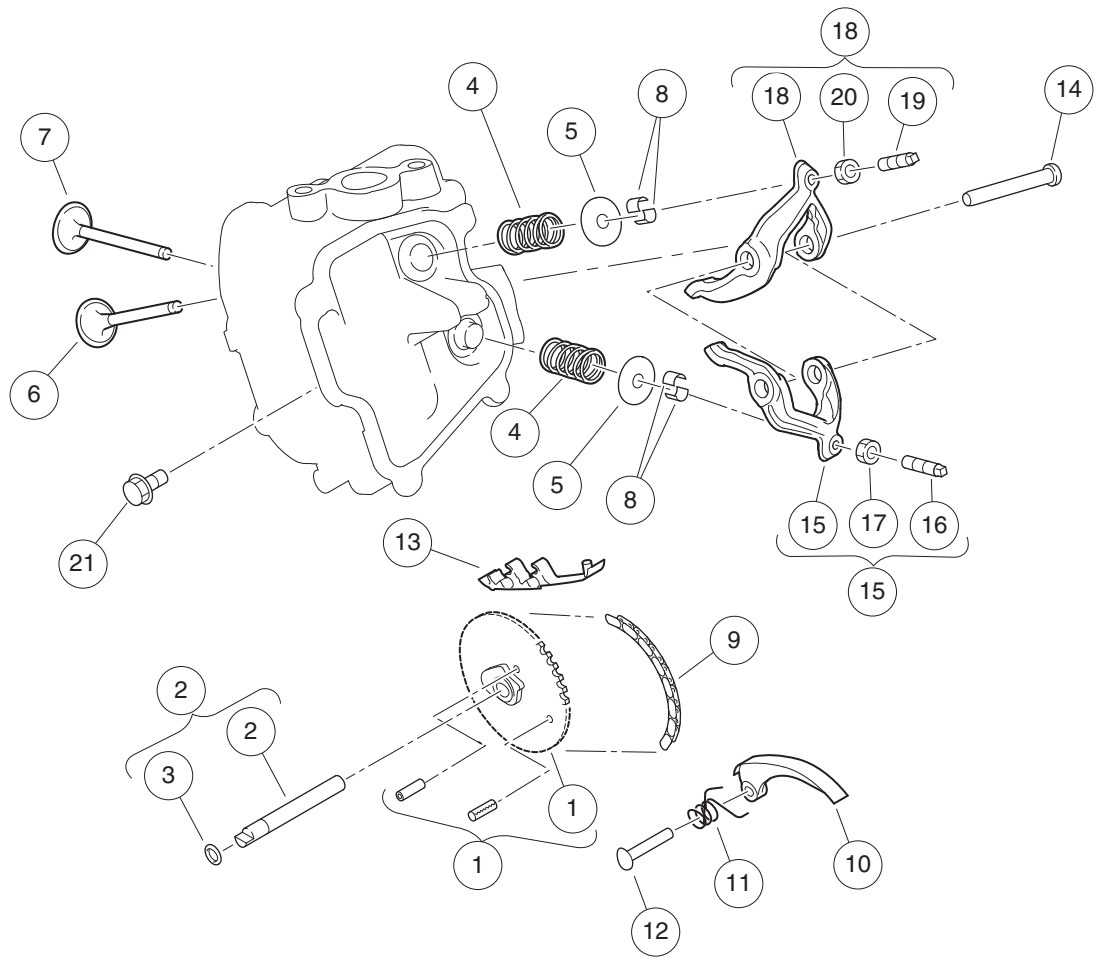
001005-001

# CYLINDER HEAD – EX40

ITEM	PART NO.	DESCRIPTION	QTY
		1 2 3 4	
1	105011901	Asm, Cylinder Head, EX40 (includes items 2 through 7) .....	1
2	105010101	Clip, Retainer Plate, EX40 .....	1
3	105010201	Seal, Valve, EX40 .....	2
4	105010301	Plate, Retainer, EX40 .....	1
5	105010801	Stud, Mounting, Exhaust, EX40 .....	2
6	105010901	Stud, Mounting, Intake, EX40 .....	2
7	105018501	Guide, Valve, EX40 .....	2
8	105012001	Gasket, Head, EX40 .....	1
9	105012101	Bolt, Head, M10x1.25x75, EX40 .....	4
10	105012201	Bolt, Head, M8x1.25x35, EX40 .....	2
11	105012301	Cover, Rocker, EX40 .....	1
12	105012401	Gasket, Rocker Cover, EX40 .....	1
13	105012601	Bolt, Flange, M6x1.0x12, EX40 .....	4

10

G

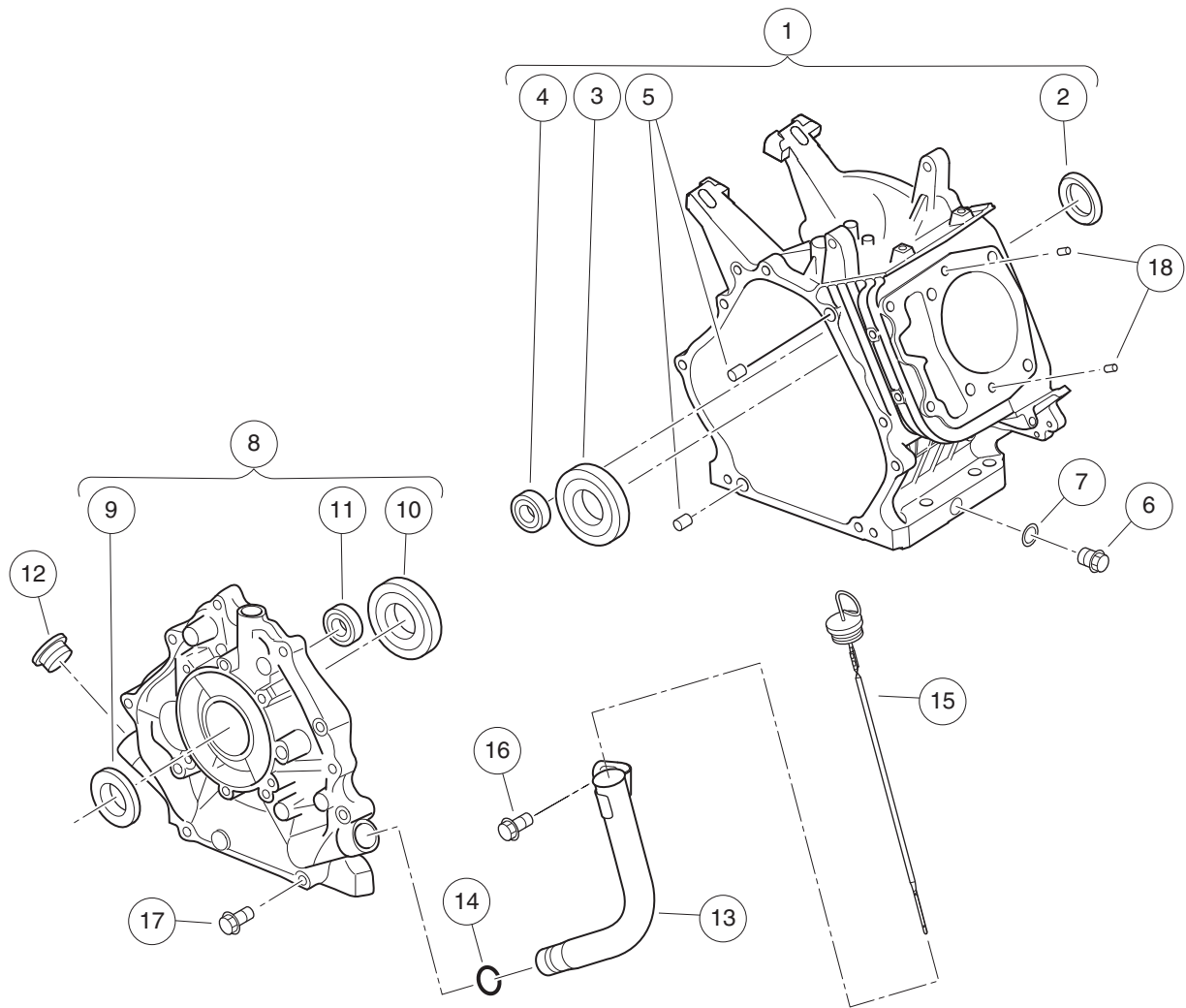


001006-001

## VALVETRAIN AND TIMING CHAIN – EX40

ITEM	PART NO.	DESCRIPTION	QTY
		<b>1 2 3 4</b>	
1	105014201	Asm, Cam/Chain Sprocket, EX40 .....	1
2	105014301	Asm, Camshaft and O-ring, EX40 (includes item 3) .....	1
3	105014401	O-ring, Camshaft, EX40 .....	1
4	105014501	Spring, Valve, EX40 .....	2
5	105014601	Retainer, Spring, EX40 .....	2
6	105014701	Valve, Intake, EX40 .....	1
7	105014801	Valve, Exhaust, EX40 .....	1
8	105014901	Collet, Valve, EX40 .....	4
9	105015001	Chain, Timing, EX40 .....	1
10	105015101	Tensioner, Chain, EX40 .....	1
11	105015201	Spring, Tension, EX40 .....	1
12	105015301	Pin, Tensioner, EX40 .....	1
13	105015401	Guide, Chain, EX40 .....	1
14	105015501	Shaft, Rocker, EX40 .....	1
15	105015601	Asm, Rocker Arm, Intake, EX40 (includes items 16 and 17) .....	1
16	105015801	Screw, Adjust, Valve, EX40 .....	1
17	105015901	Nut, Adjust, Valve, EX40 .....	1
18	105015701	Asm, Rocker Arm, Exhaust, EX40 (includes items 19 and 20) .....	1
19	105015801	Screw, Adjust, Valve, EX40 .....	1
20	105015901	Nut, Adjust, Valve, EX40 .....	1
21	105016001	Bolt, Flange, M6x1.0x8, EX40 .....	1

**10**  
**G**



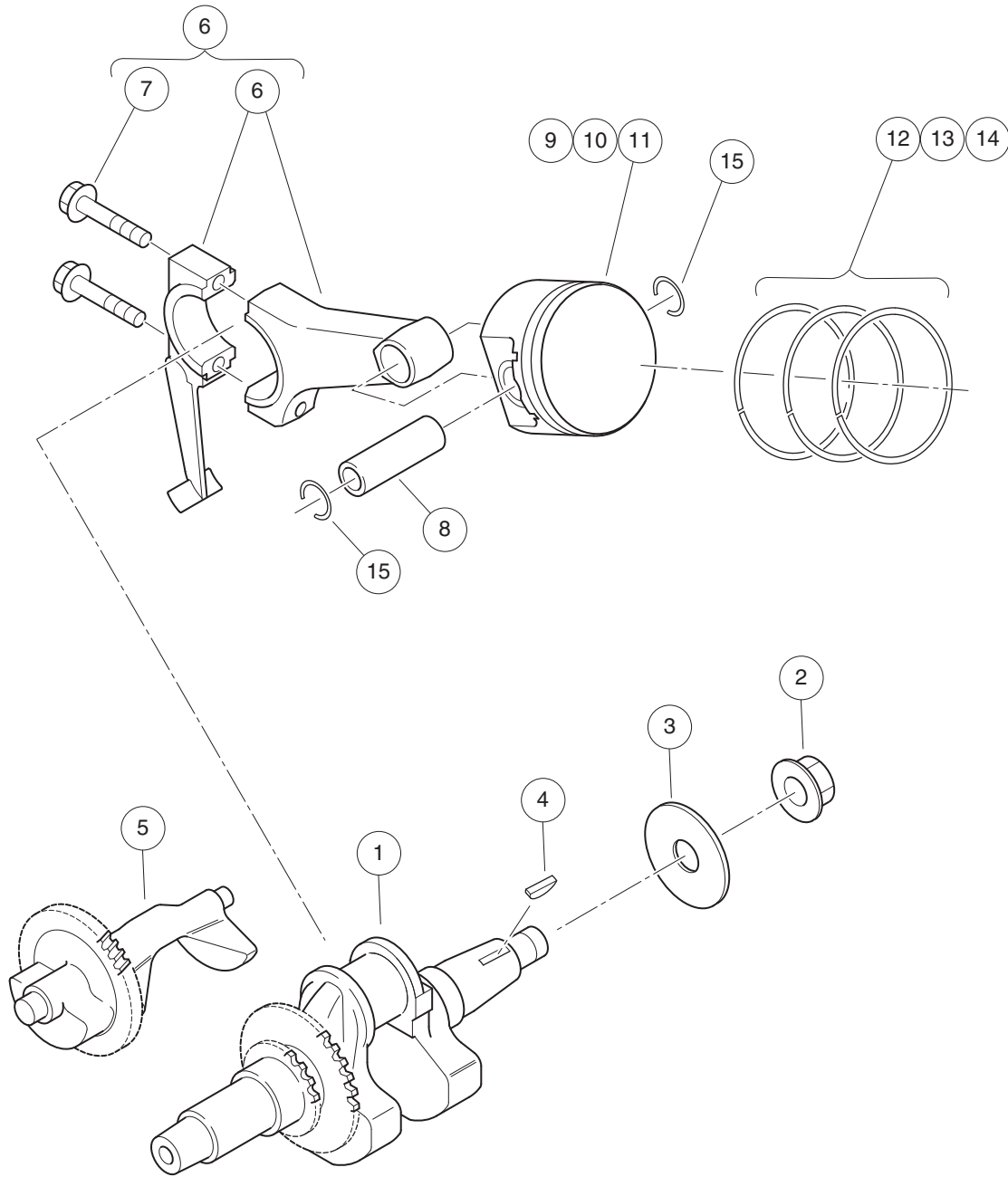
001007-001

# CRANKCASE – EX40

ITEM	PART NO.	DESCRIPTION	QTY
		1 2 3 4	
1	105010001	Crankcase, EX40 (includes items 2 through 5) .....	1
2	105010401	Seal, Oil, Crankshaft, EX40 .....	1
3	105010501	Bearing, Crankshaft, EX40 .....	1
4	105010601	Bearing, Balance Shaft, EX40 .....	1
5	105010701	Pin, Guide, Crankcase, EX40 .....	2
6	105011001	Plug, Oil Drain, EX40 .....	2
7	105011101	Gasket, Oil Drain Plug, EX40 .....	2
8	105011201	Asm, Cover, Crankcase, EX40 (includes items 9 through 11) .....	1
9	105010401	Seal, Oil, Crankshaft, EX40 .....	1
10	105010501	Bearing, Crankshaft, EX40 .....	1
11	105010601	Bearing, Balance Shaft, EX40 .....	1
12	105011301	Plug, Rubber, Crankcase, EX40 .....	1
13	105011401	Tube, Oil Filler, EX40 .....	1
14	105011501	O-ring, Oil Filler Tube, EX40 .....	1
15	105011601	Dipstick, EX40 .....	1
16	105011701	Bolt, Filler Tube, M8x1.25x12, EX40 .....	1
17	105011801	Bolt, Case Cover, M8x1.25x38, EX40 .....	8
18	105012501	Pin, Guide, Head, EX40 .....	2

10

G



001008-001



# CRANKSHAFT AND PISTON – EX40

ITEM	PART NO.	DESCRIPTION	QTY
		1 2 3 4	
1	105012701	Crankshaft, EX40 .....	1
2	105012801	Nut, Crankshaft M18x1.5 Ex40 .....	1
3	105012901	Washer, Crankshaft Ex40 .....	1
4	105013001	Key, Woodruff, Crankshaft, EX40 .....	1
5	105013101	Shaft, Balance, EX40 .....	1
6	105013201	Asm, Rod, Connecting, EX40 (includes item 7) .....	1
7	105013301	Bolt, Rod M8x1.25x40 Ex40 .....	2
8	105013401	Pin, Piston, EX40 .....	1
9	105013501	Piston, Standard, EX40 .....	1
10	105013601	Piston, 0.25 mm Oversize, EX40 .....	1
11	105013701	Piston, 0.50 mm Oversize, EX40 .....	1
12	105013801	Set, Piston Ring, Standard, EX40 .....	1
13	105013901	Set, Piston Ring, 0.25 mm Oversize, EX40 .....	1
14	105014001	Set, Piston Ring, 0.50 mm Oversize, EX40 .....	1
15	105014101	Clip, Piston Pin, EX40 .....	2

10

G

**10**

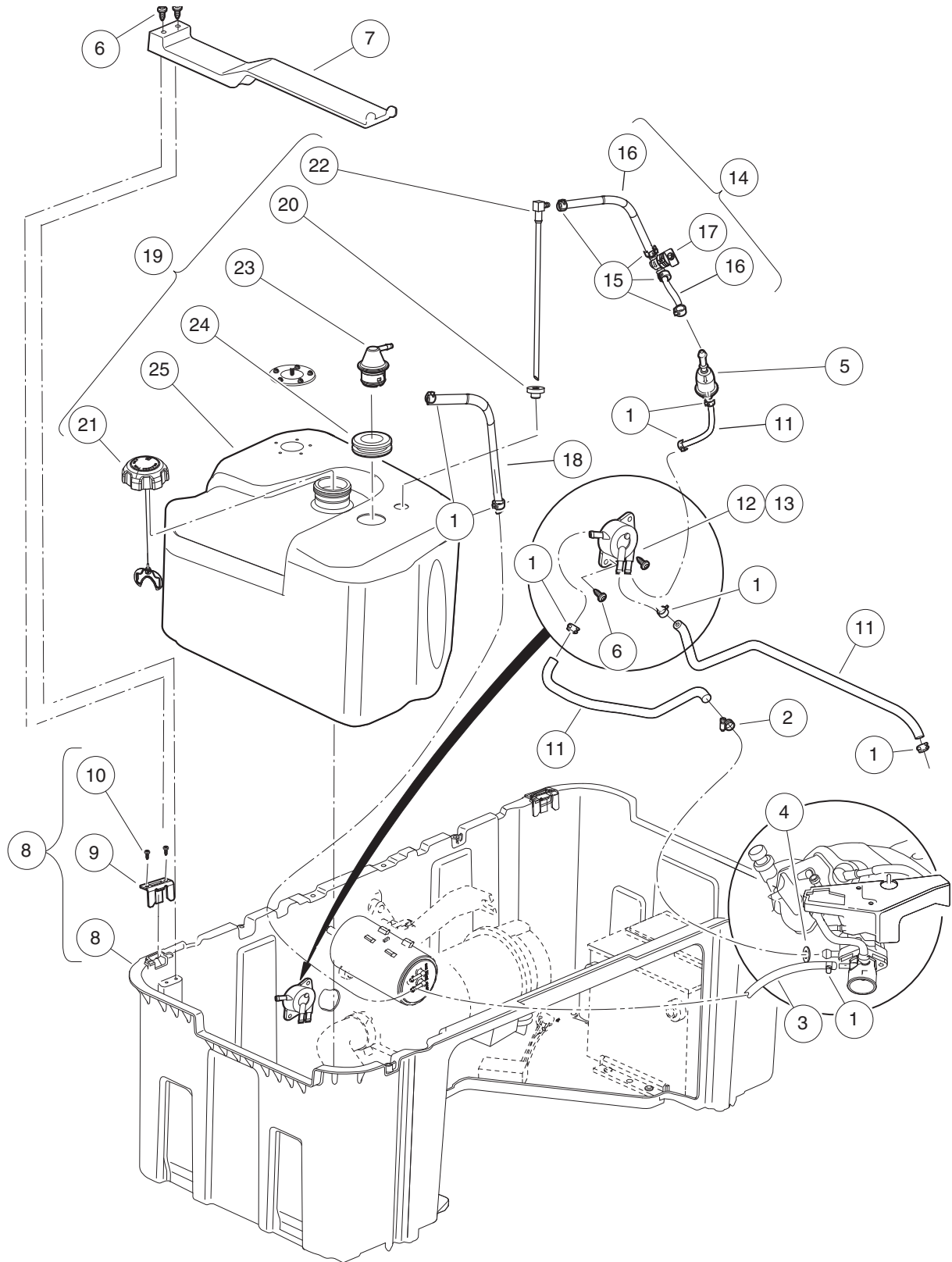
**G**

# FUEL SYSTEM – KAW. FE350

---

11

G



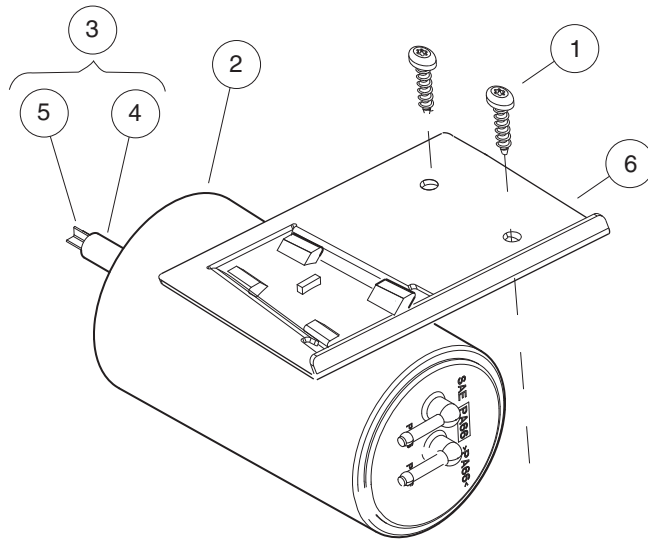
000449-010

# FUEL SYSTEM – KAW. FE350

ITEM	PART NO.	DESCRIPTION	QTY
		<b>1 2 3 4</b>	
1	1012649	Clamp, 0.460 Red Hose .....	9
2	1013687	Clamp, 3/8" Hose (screw type) .....	1
3	101587704	Hose, Fuel, Vent, 3/16" ID, 17" Long .....	1
4	N/A	Washer, .31 Nylon Flat .....	1
5	102003201	Filter, Fuel, 30 Micron .....	1
6	102296020	Screw, Torx Pan Hd Pt, M6 X 20 .....	4
7	102514201	Hold-down - Fuel Tank .....	1
8	102514701	Bucket - Gas Vehicle (includes items 9 and 10) .....	1
9	103470701	Bracket, Bucket Hinge .....	2
10	N/A	Screw, #6 X .75, Cs Ss, Hi-lo .....	4
11	102865101	Fuel Line, 1/4 (available by the foot) .....	A/R
12	103781101	Kit, Fuel Pump Retrofit (includes item 13) .....	1
13	103010101	Pump, Fuel, Impulse, Fh .....	1
14	103862401	Asm, Fuel Line, Prec, Field (includes items 15 through 17) .....	1
15	1012649	Clamp, 0.460 Red Hose .....	4
16	102865101	Fuel Line, 1/4 (available by the foot) .....	1
17	103854501	Valve, Fuel, In-line .....	1
18	103896601	Hose, Vent, 1/4" ID, 9" Long .....	1
19	103964002	Asm, Tank Fuel, Pr Wo/su Nano (includes items 20 through 25) .....	1
20	102406701	Bushing, Line, Return .....	1
21	103372101	Cap, Fuel Tank, Gas, Ratchet .....	1
22	103854301	Asm, Fitting, Fuel Pickup, Id 1/4" .....	1
23	103905201	Assembly, Vent, Fuel, 1/4 Inch O.D. ....	1
24	103944301	Grommet, Fuel Tank, Vent .....	1
25	N/A	Tank, Fuel, Prec Nano .....	1

**11**

**G**



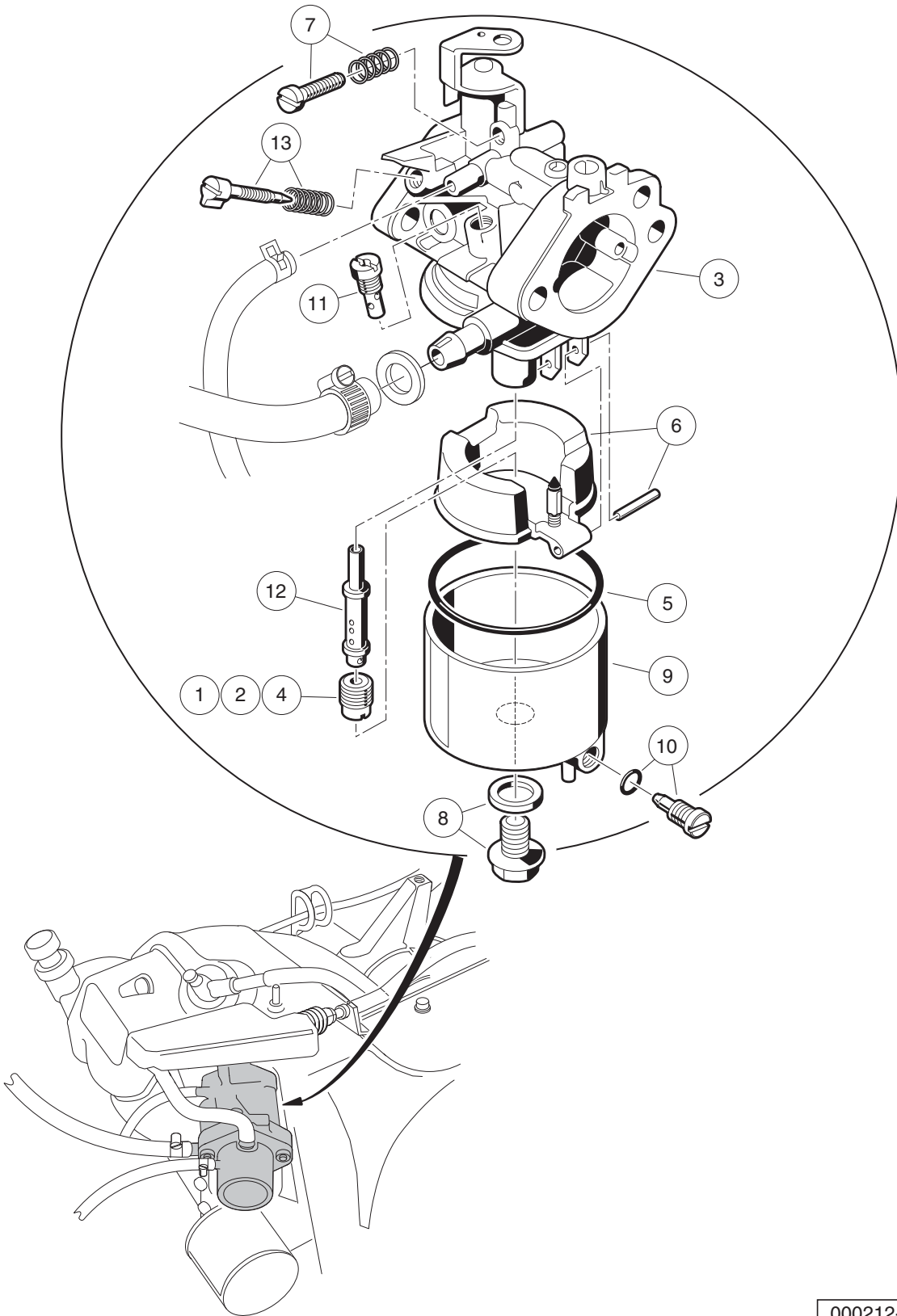
000980-002

# CARBON CANISTER – KAW. FE350

ITEM	PART NO.	DESCRIPTION	QTY
		<b>1 2 3 4</b>	
1	102297230	Screw, M6, Torx, Interlock Thread .....	2
2	103372401	Canister, Carbon .....	1
3	103756401	Asm, Vent Line, Carbon Canister (includes items 4 and 5) .....	1
4	N/A	Hose, Vent, 5/16 I.D., Bulk .....	A/R
5	N/A	Vent, Barb, 5/16 I.D. Hose .....	1
6	103794501	Bracket, Carbon Canister .....	1

11

G



000212-006

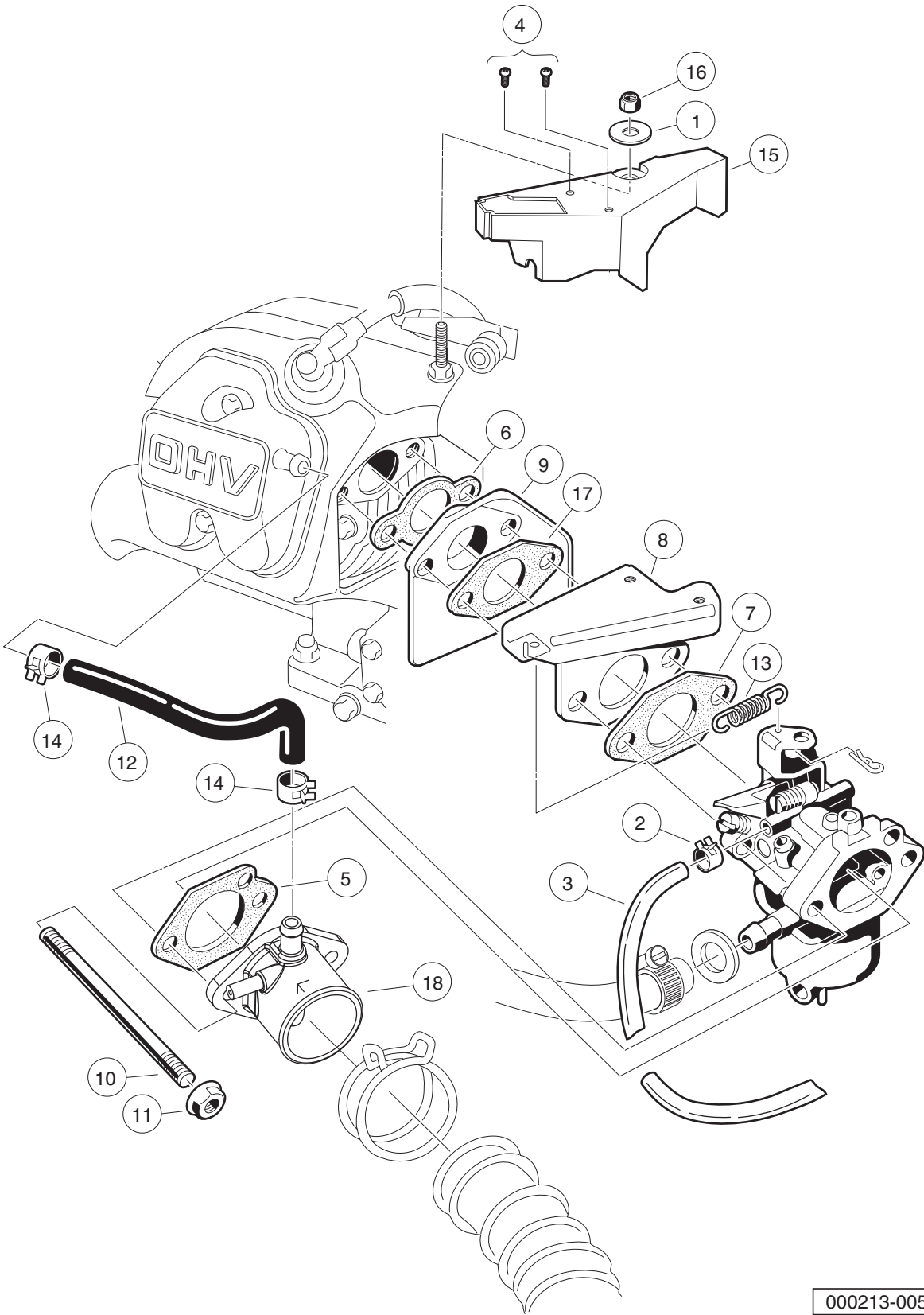


# CARBURETOR ASSEMBLY – KAW. FE350

ITEM	PART NO.	DESCRIPTION	QTY
		1 2 3 4	
1	101642580	Jet, Altitude, # 80 .....	1
2	101642582	Jet, Altitude, # 82 .....	1
3	103616901	Carburetor, FE350 S26 (includes items 4 through 13) .....	1
4	101642585	Jet, Altitude, # 85 .....	1
5	1016437	Gasket, Carburetor Bowl OHV .....	1
6	1016486	Float Assembly .....	1
7	1016501	Screw Assembly .....	1
8	1016585	Bolt .....	1
9	1017461	Chamber Assembly, Float (includes item 12) (includes item 10) .....	1
10	1016499	Screw Assembly .....	1
11	101973101	Jet, #40 Pilot .....	1
12	101973301	Nozzle, Main .....	1
13	N/A	Assembly, Pilot Air Screw .....	1
<p>Note: Jets:101642585 for 0 - 3,280 feet; 101642582 for 3,280 - 9840 feet; 101642580 for 9840 feet and greater. Carburetor 103616901 shown above, is only for AS26 FE350 engines.</p>			

11

G

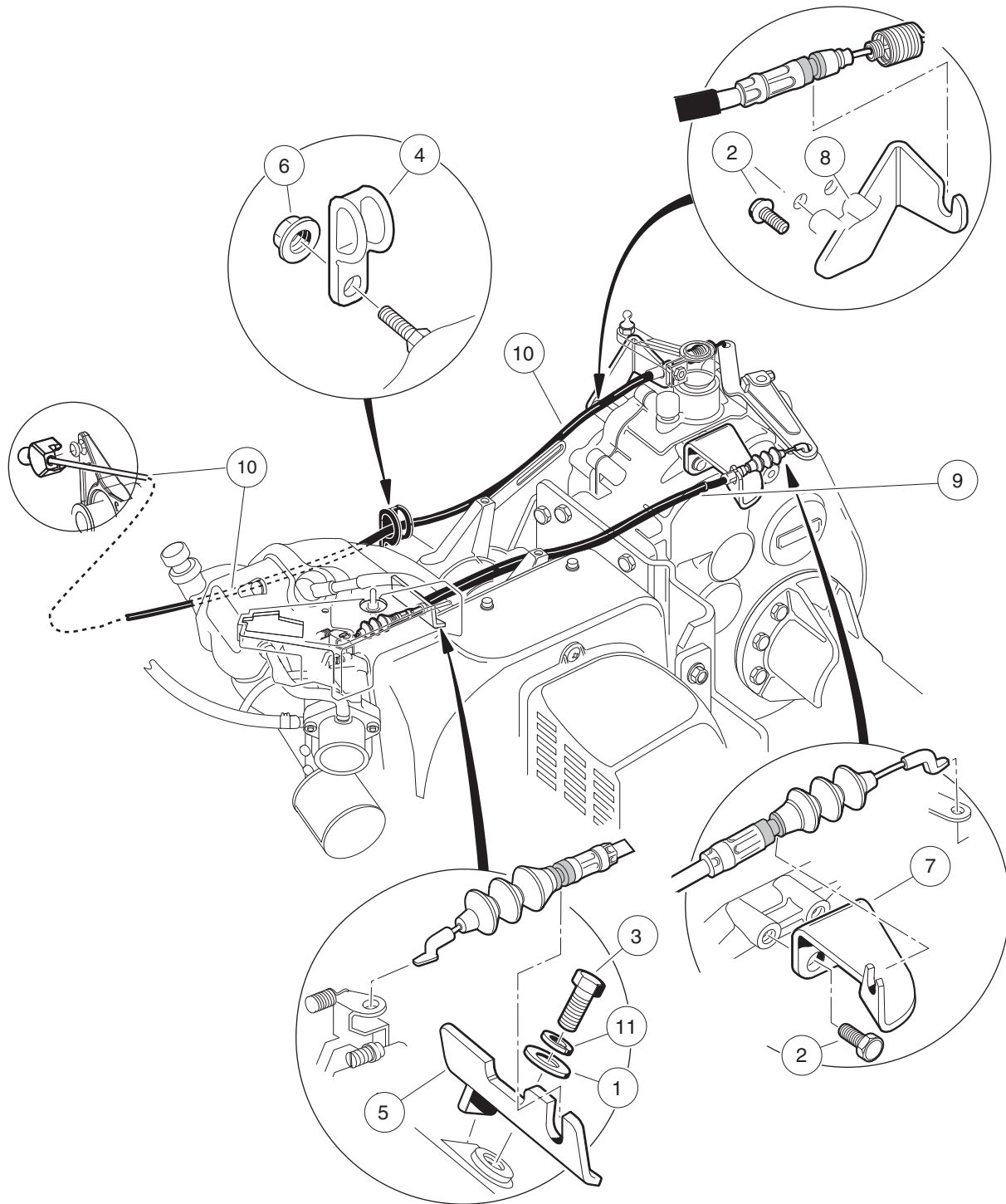


000213-005

## CARBURETOR INSTALLATION – KAW. FE350

ITEM	PART NO.	DESCRIPTION	QTY
		1 2 3 4	
1	1011697	Washer, 5/16 Flat .....	1
2	1013746	Clamp, 0.301 ID Hose .....	1
3	1015137	Fuel Line, 3/16 (available by the foot) .....	1
4	1016103	Screw, Pan Hd Tx, Taptite 6-32 .....	2
5	1016438	Gasket, Carb To Intake Manifold .....	1
6	1016440	Gasket, Engine to Insulator .....	1
7	1016441	Gasket, Sprg Brkt To Carb OHV .....	1
8	1016444	Bracket, Throttle Spring Return .....	1
9	101648102	Insulator, Carburetor .....	1
10	101649002	Stud, M6-1.00 Two-Ended .....	2
11	1016547	Nut, M6 Flange .....	2
12	1016572	Tube, Crankcase Vent .....	1
13	1016582	Spring, Throttle Return .....	1
14	1017466	Clamp .....	2
15	101820201	Shield, Governor .....	1
16	101887601	Locknut, M6-1.00 Nylon Insert .....	1
17	101973401	Gasket, Insulator To Bracket .....	1
18	103507101	Carburetor Adapter w/ Tap .....	1

**11**  
**G**

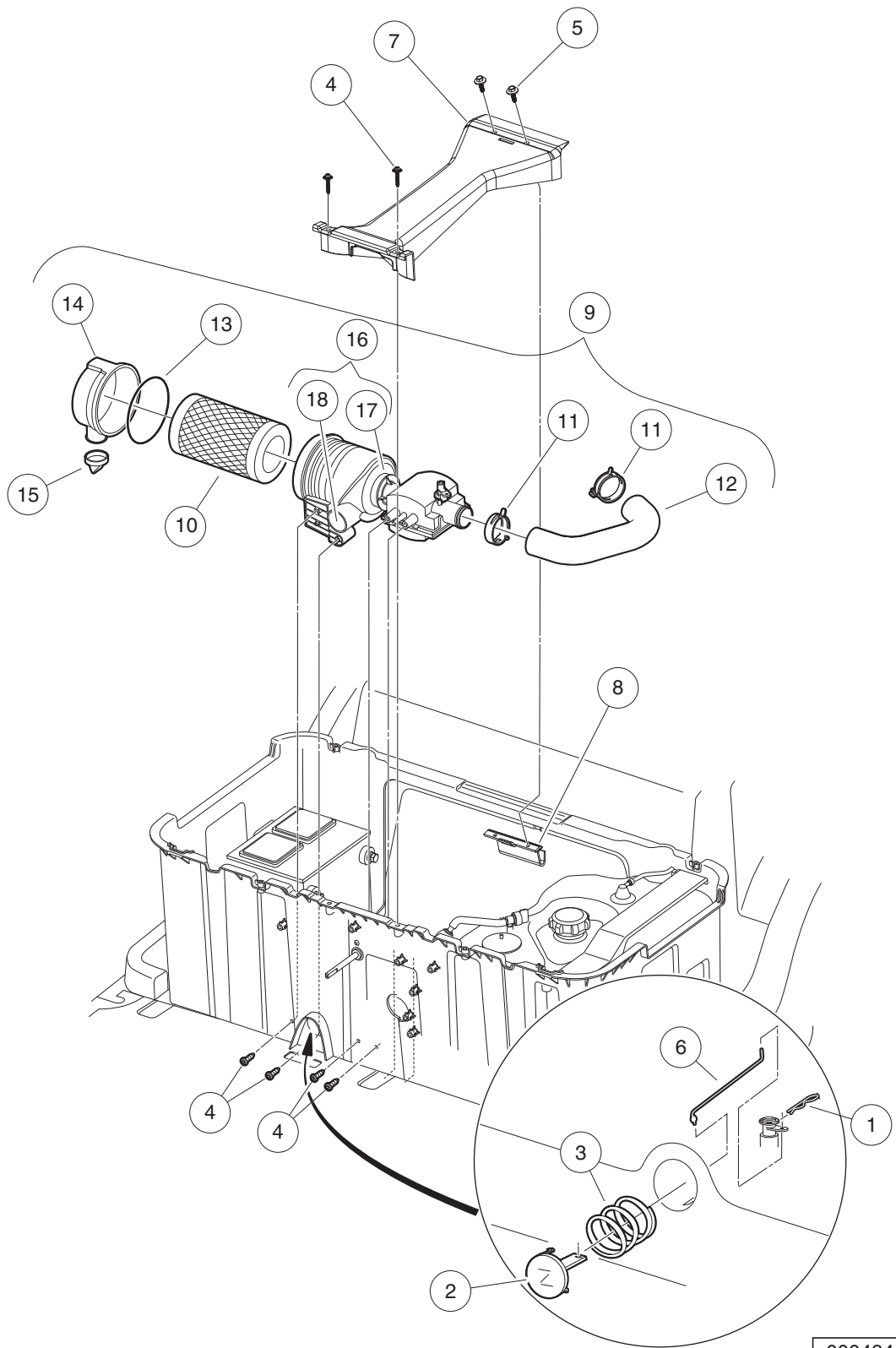


000215-003

# GOVERNOR AND ACCELERATOR CABLES – KAW. FE350

ITEM	PART NO.	DESCRIPTION	QTY
		1 2 3 4	
1	1011697	Washer, 5/16 Flat .....	1
2	1012285	Screw, 1/4 X 0.625 Hex-Head .....	4
3	1012830	Screw, M8-125 X 22 Hex-Head .....	1
4	1013700	Clamp .....	2
5	101584502	Bracket, Governor Cable Snap-In .....	1
6	1016546	Nut .....	2
7	101832202	Bracket, Rear Governor Cable Snap-In .....	1
8	101832302	Bracket, Rear Accelerator Cable Snap-In .....	1
9	102336001	Cable, Governor, Snap-In .....	1
10	102595101	Cable, Acc, Snap-in (Generation 2) .....	1
11	7174	Lockwasher, 5/16 Split .....	1

**11**  
**G**



000484-002

# CHOKE AND AIR BOX ASSEMBLY – KAW. FE350

ITEM	PART NO.	DESCRIPTION	QTY
		1 2 3 4	
1	1014413	Pin, Hair Spring Cotter .....	1
2	101811401	Lever, Choke .....	1
3	101856201	Compression Spring .....	1
4	102296020	Screw, Torx Pan Hd Pt, M6 X 20 .....	6
5	102297125	Screw, M6-1.0x25.4, Thread-Forming, SEMS .....	2
6	102514401	Rod, Choke Button .....	1
7	102521301	Brace, Gas Fuel Bucket .....	1
8	102521401	Support, Gas Bucket Brace .....	1
9	102588301	Air Intake Assy (includes items 10 through 16) .....	1
10	102558201	Air Filter, 4 Inch .....	1
11	102558301	Clamp, Air Intake, Prec .....	2
12	102558401	Hose, Air Intake, Prec .....	1
13	102558501	Gasket, Air Intake, Prec .....	1
14	102558601	Asm, Cover, Air Intake, Precedent .....	1
15	102558701	Evac Valve, Air Intake, Prec .....	1
16	N/A	Assembly, Body Intake (includes items 17 and 18) .....	1
17	N/A	Filter Element, Air Intake .....	1
18	N/A	Insert, Air Intake Body .....	1

11

G

11

G

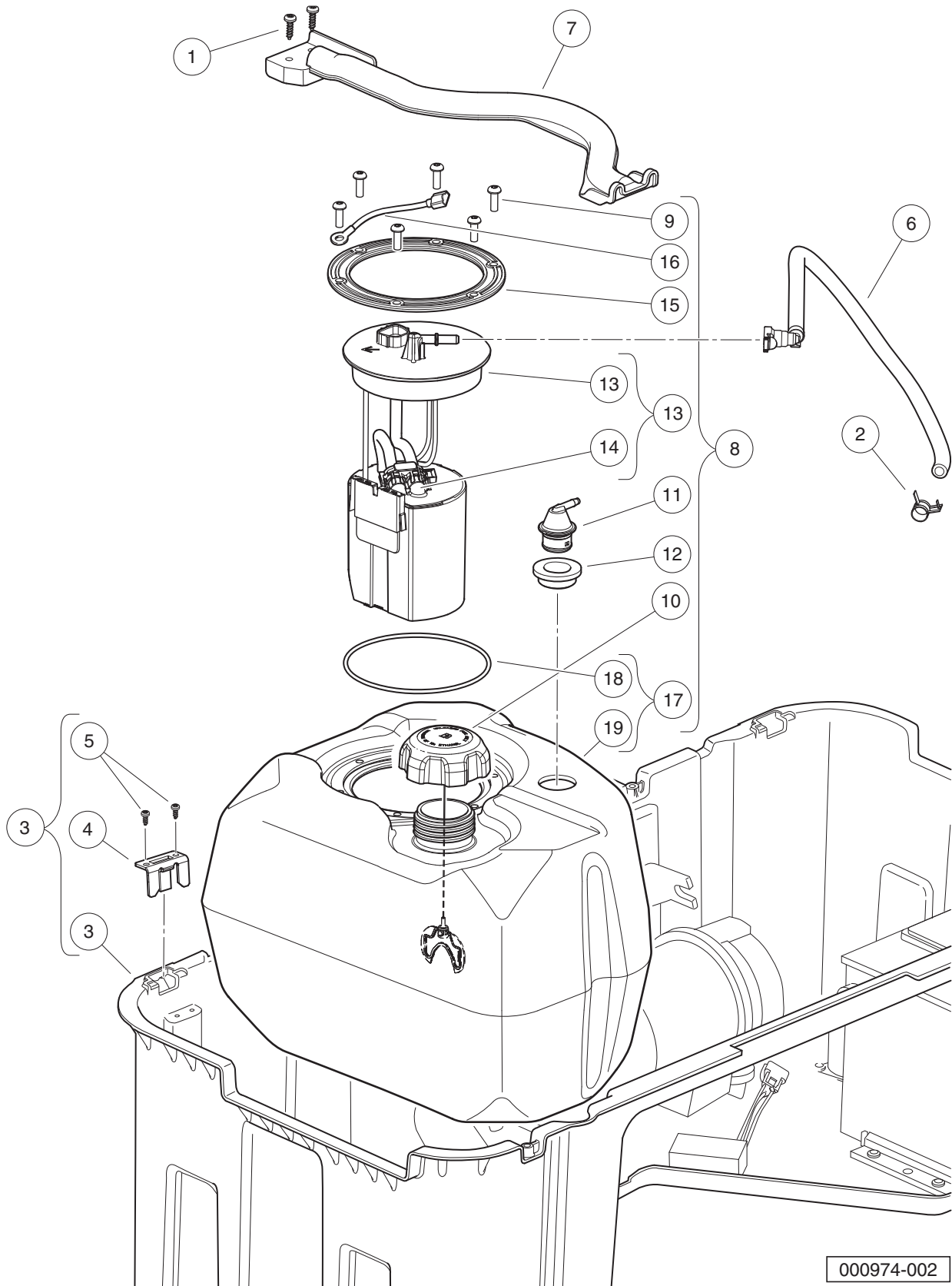


# FUEL SYSTEM, EFI – SUBARU EX40

---

12

G



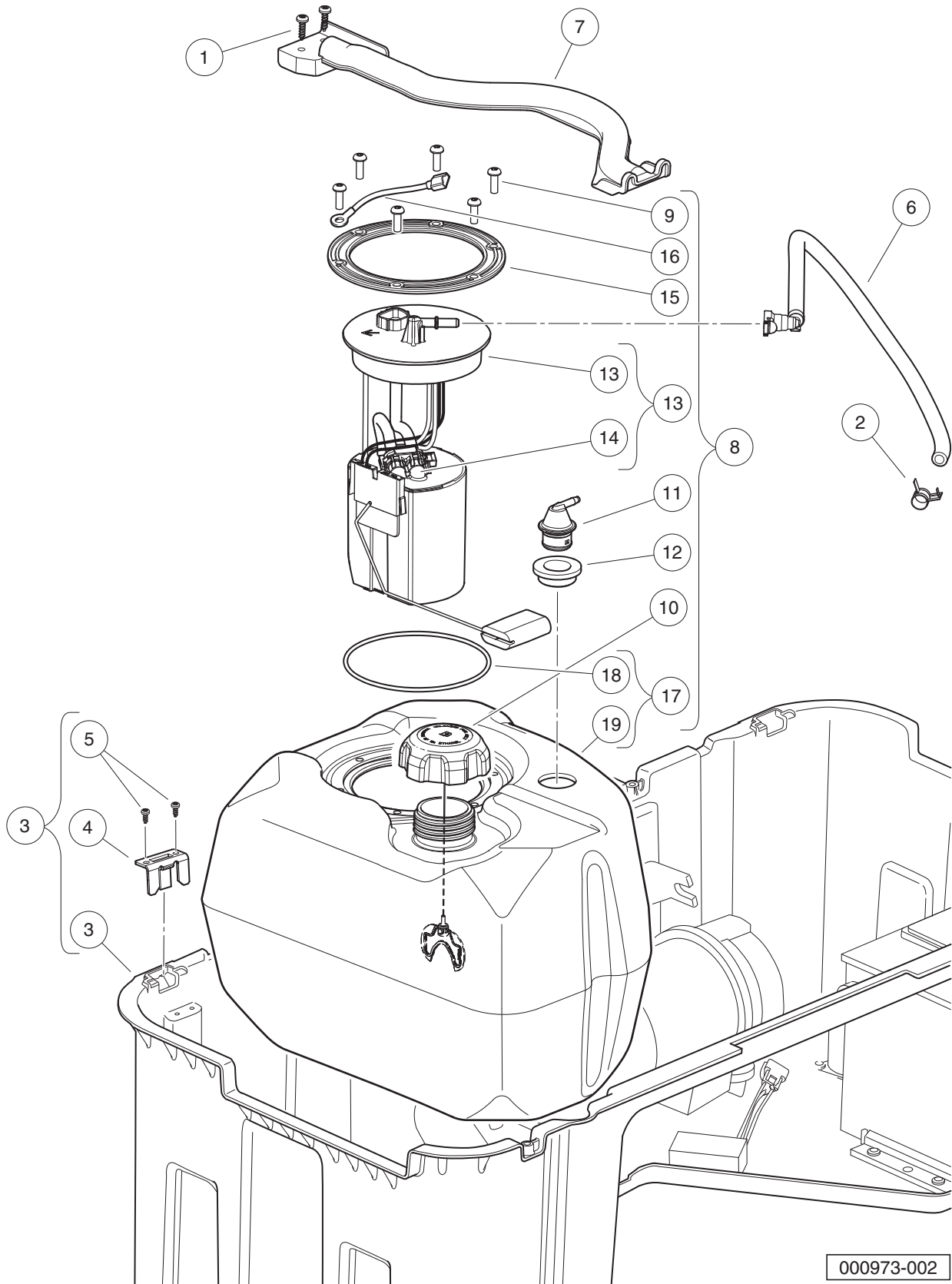
000974-002

## FUEL SYSTEM W/O SENDING UNIT – EFI

ITEM	PART NO.	DESCRIPTION	QTY
		1 2 3 4	
1	102296020	Screw, Torx Pan Hd Pt, M6 X 20 .....	2
2	102411203	Clamp, Hose, Ctb 14mm Dia. ....	1
3	102514702	Bucket, Gas, Precedent with EFI (includes items 4 and 5) .....	1
4	103470701	Bracket, Bucket Hinge .....	1
5	N/A	Screw, #6 X .75, Cs Ss, Hi-lo .....	2
6	105043601	Asm, Fuel Line, Precedent .....	1
7	105072201	Retainer, Tank .....	1
8	105215502	Asm, Tank, Fuel, Precedent, w/o Sending Unit (includes items 9 through 17) .....	1
9	102025801	Screw, 1/4-20 X .75 Torx Pn Hd .....	6
10	103372101	Cap, Fuel Tank, Gas, Ratchet .....	1
11	103905201	Assembly, Vent, Fuel, 1/4 Inch O.D. ....	1
12	103944301	Grommet, Fuel Tank, Vent .....	1
13	105043402	Fuel Pump Module, w/o Sending Unit (includes item 14) .....	1
14	105073001	Fuel Filter, EX40, EFI .....	1
15	105043801	Fuel Module, Hold Down Ring .....	1
16	105143301	Wire, Ground, Fuel Tank .....	1
17	N/A	Asm, Tank, Fuel, Precedent, Service (includes items 18 and 19) .....	1
18	105199901	O-Ring, Fuel Module, 3/16 .....	1
19	N/A	Tank, Fuel, Precedent .....	1

**12**

**G**

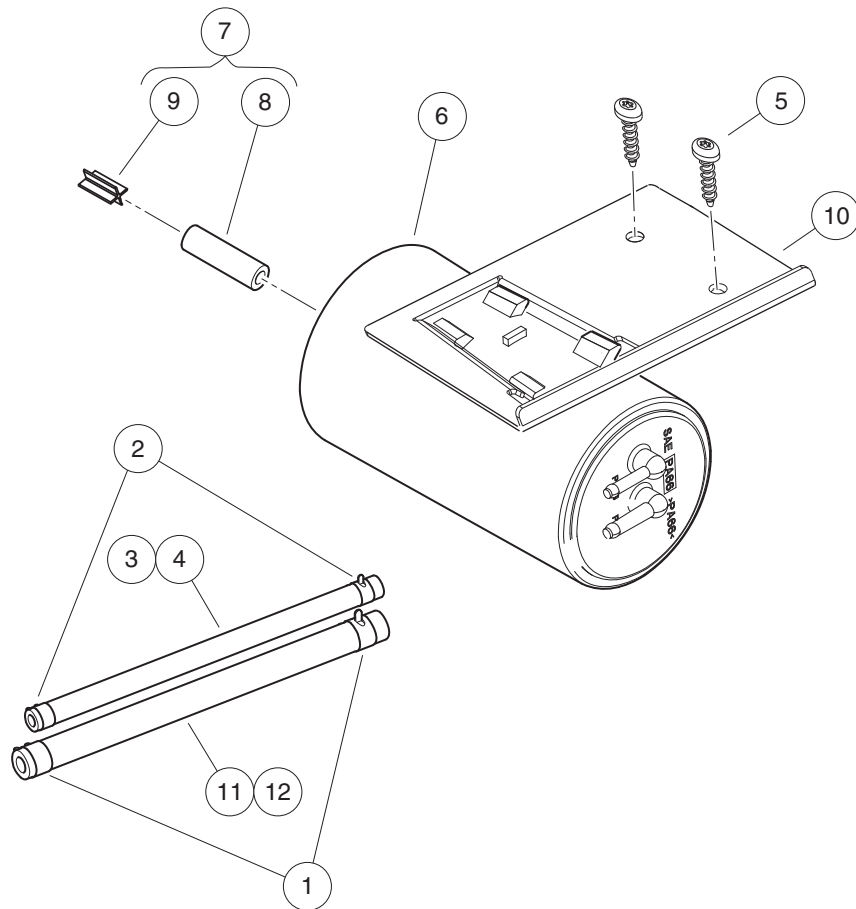


000973-002

## FUEL SYSTEM WITH SENDING UNIT – EFI

ITEM	PART NO.	DESCRIPTION	QTY
		<b>1 2 3 4</b>	
1	102296020	Screw, Torx Pan Hd Pt, M6 X 20 .....	2
2	102411203	Clamp, Hose, Ctb 14mm Dia. ....	1
3	102514702	Bucket, Gas, Precedent with EFI (includes items 4 and 5) .....	1
4	103470701	Bracket, Bucket Hinge .....	1
5	N/A	Screw, #6 X .75, Cs Ss, Hi-lo .....	2
6	105043601	Asm, Fuel Line, Precedent .....	1
7	105072201	Retainer, Tank .....	1
8	105215501	Asm, Tank, Fuel, Precedent, w/Sending Unit (includes items 9 through 17) .....	1
9	102025801	Screw, 1/4-20 X .75 Torx Pn Hd .....	6
10	103372101	Cap, Fuel Tank, Gas, Ratchet .....	1
11	103905201	Assembly, Vent, Fuel, 1/4 Inch O.D. ....	1
12	103944301	Grommet, Fuel Tank, Vent .....	1
13	105043401	Fuel Pump Module, with Sending Unit (includes item 14) .....	1
14	105073001	Fuel Filter, EX40, EFI .....	1
15	105043801	Fuel Module, Hold Down Ring .....	1
16	105143301	Wire, Ground, Fuel Tank .....	1
17	N/A	Asm, Tank, Fuel, Precedent, Service (includes items 18 and 19) .....	1
18	105199901	O-Ring, Fuel Module, 3/16 .....	1
19	N/A	Tank, Fuel, Precedent .....	1

**12**  
**G**



000980-004

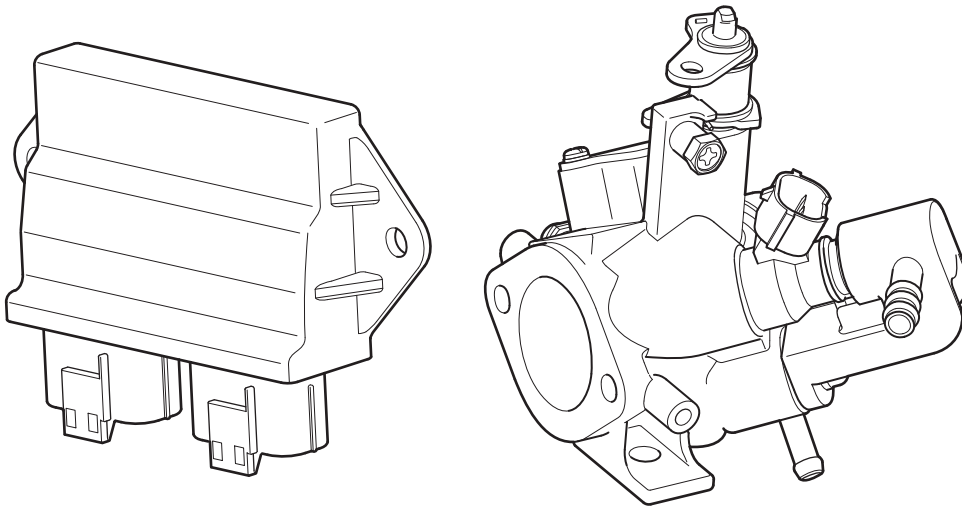
## CARBON CANISTER – EFI

ITEM	PART NO.	DESCRIPTION	QTY
		1 2 3 4	
1	1012649	Clamp, 0.460 Red Hose .....	2
2	1013746	Clamp, 0.301 ID Hose .....	2
3	101587704	Hose, Fuel, Vent, 3/16" ID, 17" Long (includes item 4) .....	1
4	1015137	Fuel Line, 3/16 (available by the foot) .....	A/R
5	102297230	Screw, M6, Torx, Interlock Thread .....	2
6	103372401	Canister, Carbon .....	1
7	103756401	Asm, Vent Line, Carbon Canister (includes items 8 and 9) .....	1
8	N/A	Hose, Vent, 5/16 I.D., Bulk .....	A/R
9	N/A	Vent, Barb, 5/16 I.D. Hose .....	1
10	103794501	Bracket, Carbon Canister .....	1
11	103896601	Hose, Vent, 1/4" ID, 9" Long (includes item 12) .....	1
12	102865101	Fuel Line, 1/4 (available by the foot) .....	A/R

12

G

1



000964-001

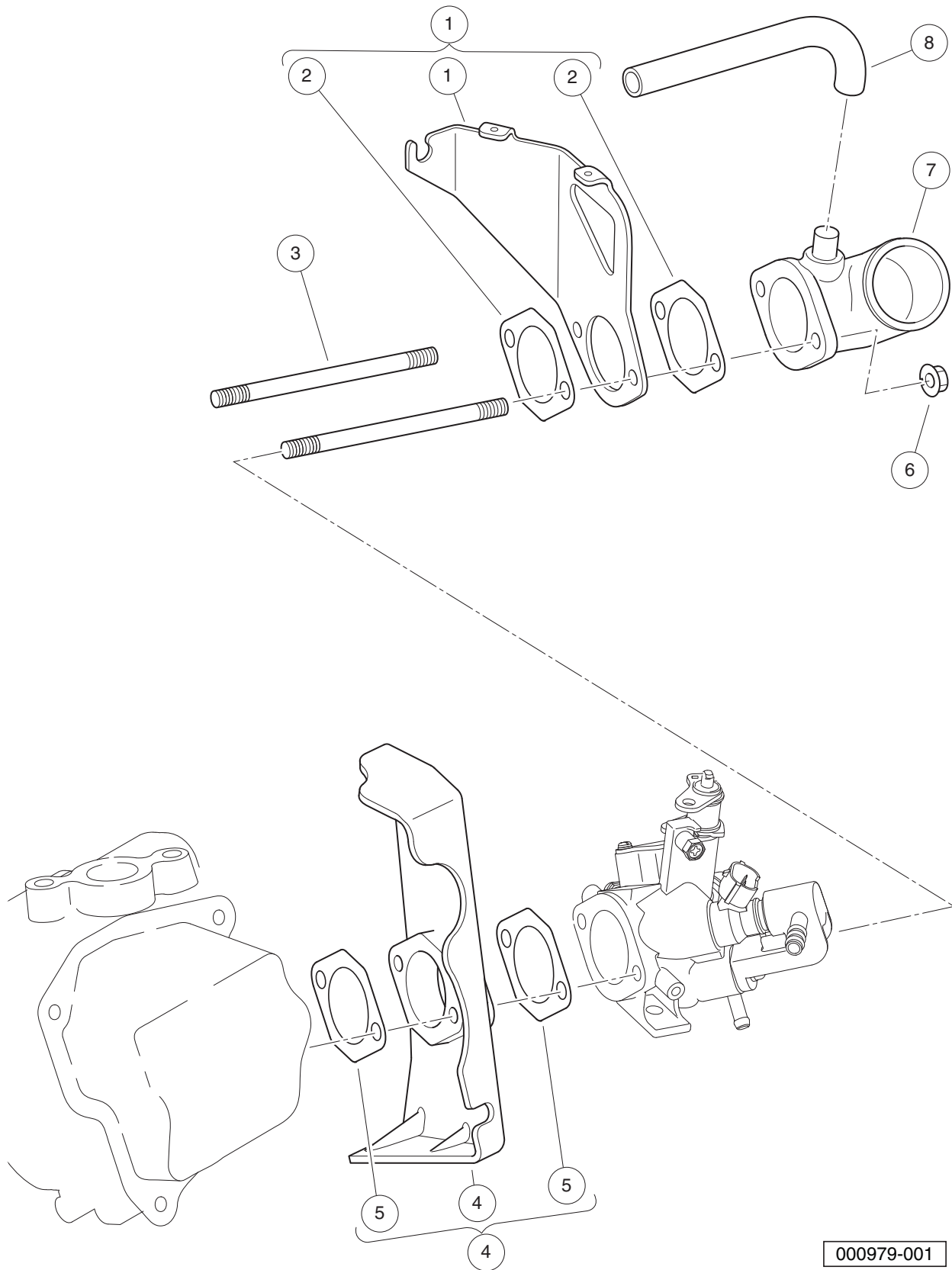


# THROTTLE BODY AND ECU – EFI

ITEM	PART NO.	DESCRIPTION	QTY
1	105017201	1 2 3 4 Asm, Throttle Body/Fuel Injector with ECU, EX40 .....	1

12

G



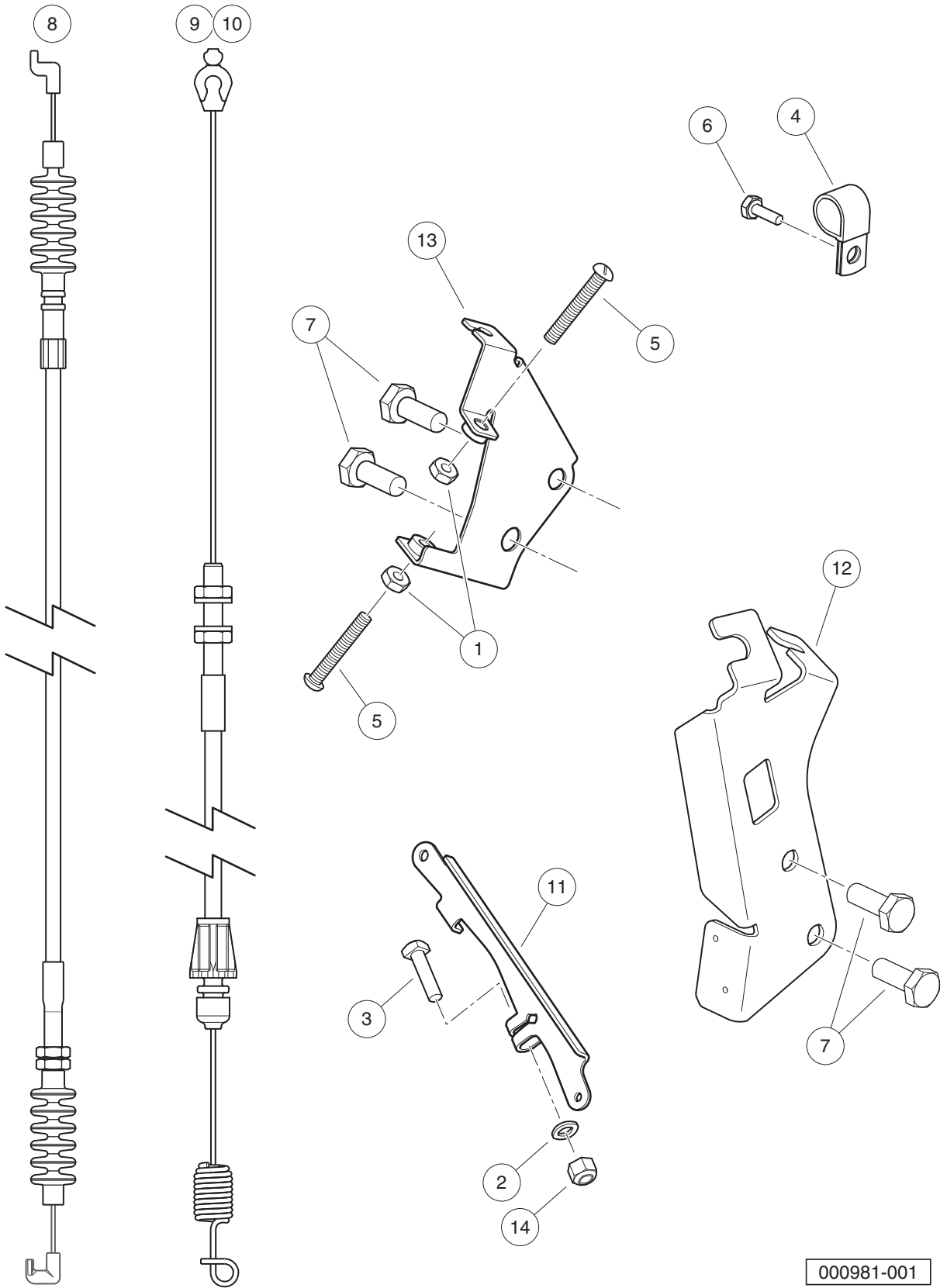
000979-001

# THROTTLE BODY MOUNTING – EFI

ITEM	PART NO.	DESCRIPTION	QTY
		<b>1 2 3 4</b>	
1	103983501	Bracket, Operation, EX40 (includes item 2) .....	1
2	105016201	Gasket, Insulator, EX40 .....	2
3	105010901	Stud, Mounting, Intake, EX40 .....	2
4	105016101	Insulator, EX40 (includes item 5) .....	1
5	105016201	Gasket, Insulator, EX40 .....	2
6	105016301	Nut, Intake Adapter, M6x1.0, EX40 .....	2
7	105016401	Adapter, Air Intake, EX40 .....	1
8	105016501	Hose, Breather, EX40 .....	1

**12**  
**G**

12  
G



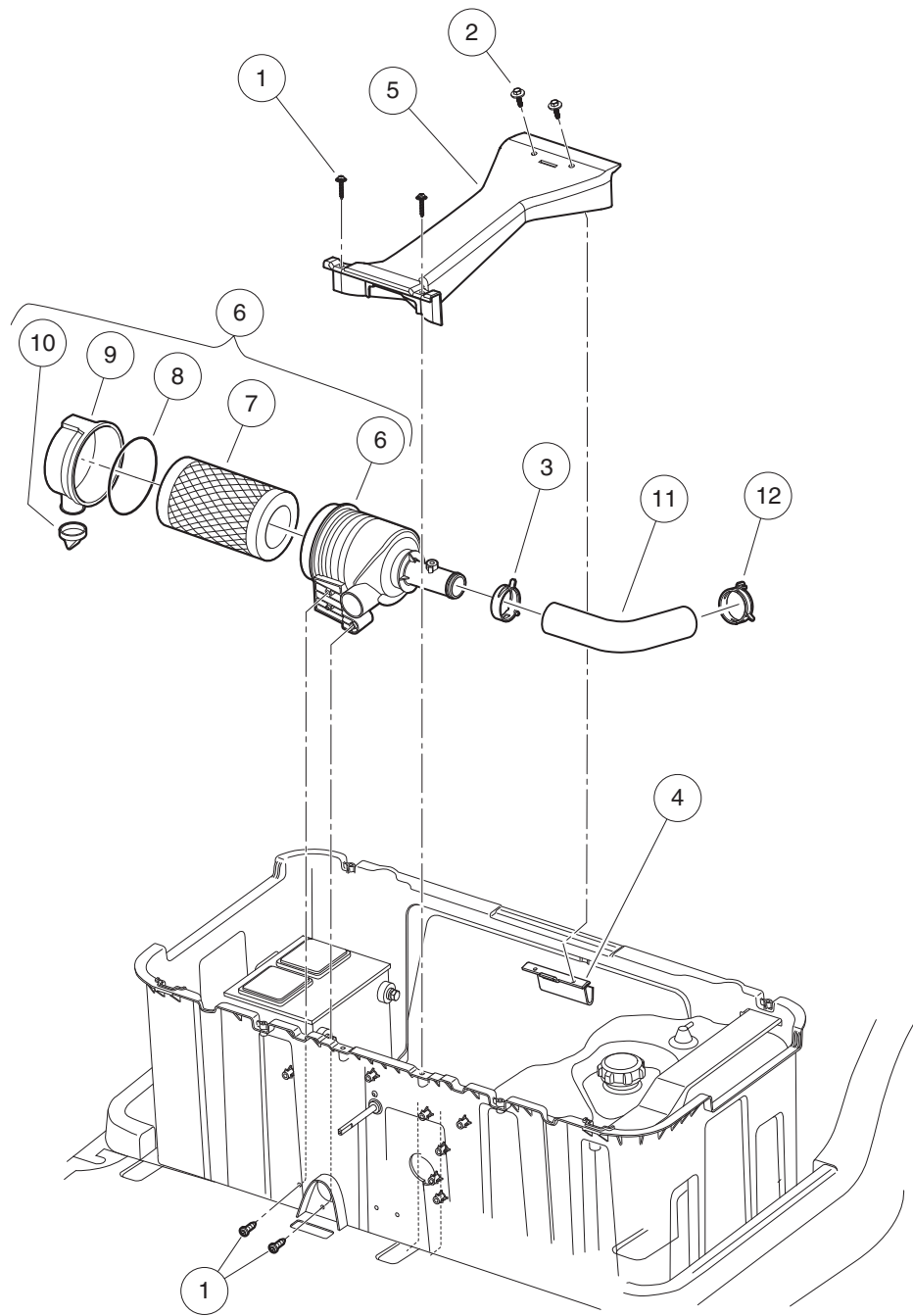
000981-001

## GOVERNOR AND ACCELERATOR CABLES – EFI

ITEM	PART NO.	DESCRIPTION	QTY
		1 2 3 4	
1	1011114	Nut, M6-1.00 Hex .....	2
2	1014007	Washer, 1/4, Flat .....	1
3	101886101	Screw, 1/4-20 X 1.00, Square-Head .....	1
4	102410604	P-clamp, Insulated, 0.625 Inch .....	1
5	102476401	Bolt, Stop, Pedal .....	2
6	102490301	Bolt, M6 X 1 X 16, Loctite .....	1
7	102498201	Bolt, M10 X 1.25 X 25, Loctite .....	4
8	103978001	Cable, Governor, EX40 .....	1
9	103982001	Cable, Accelerator, Precedent, Std Speed .....	1
10	103982002	Cable, Accelerator, Precedent, High Speed .....	1
11	104023501	Arm, Governor, ED65 .....	1
12	105135101	Bracket, Cable, FNR/Accelerator, ED65 .....	1
13	105144401	Weldment, Governor Bracket .....	1
14	8233	Locknut, 1/4-20, Nylon Insert .....	1
Note: Item 10 is only used with the Private Speed option.			

12

G



000484-003

## AIR FILTER SYSTEM AND INTAKE HOSE – EFI

ITEM	PART NO.	DESCRIPTION	QTY
		1 2 3 4	
1	102296020	Screw, Torx Pan Hd Pt, M6 X 20 .....	4
2	102297125	Screw, M6-1.0x25.4, Thread-Forming, SEMS .....	2
3	102411209	Clamp, Hose, Ctb 55mm Dia. ....	1
4	102521401	Support, Gas Bucket Brace .....	1
5	103795001	Brace, Gas Fuel Bucket .....	1
6	105009001	Air Cleaner, Precedent with EFI (includes items 7 through 10) .....	1
7	102558201	Air Filter, 4 Inch .....	1
8	102558501	Gasket, Air Intake, Prec .....	1
9	102558601	Asm, Cover, Air Intake, Precedent .....	1
10	102558701	Evac Valve, Air Intake, Prec .....	1
11	105009201	Hose, Air Intake, Precedent with EFI .....	1
12	105088501	Clamp, Ctb, 49mm Dia, W/clip .....	1

12

G

12

G

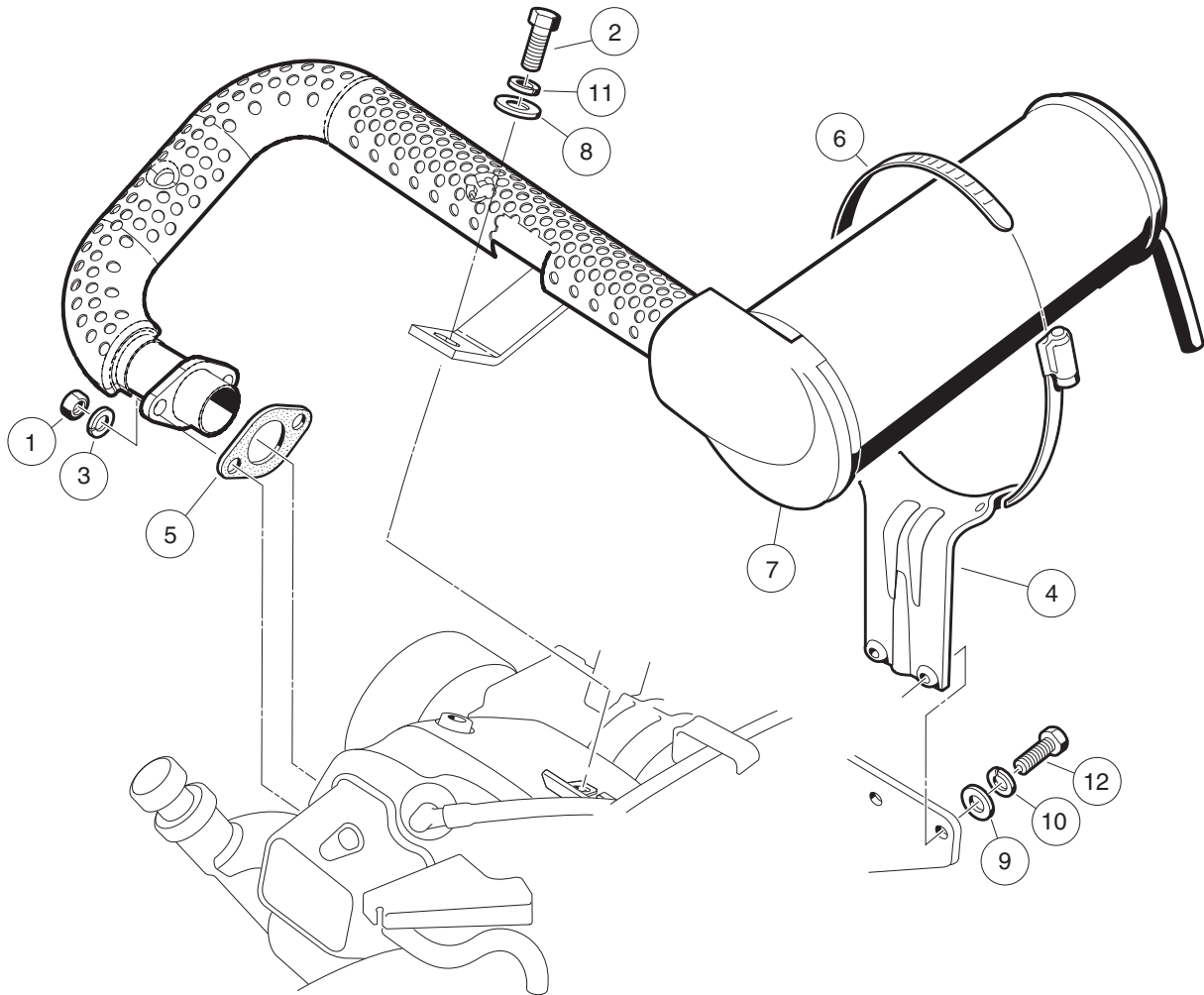


# EXHAUST SYSTEM – KAW. FE350

---

13

G



000491-001

# EXHAUST SYSTEM – FE350

ITEM	PART NO.	DESCRIPTION	QTY
		1 2 3 4	
1	1012528	Nut, M8-1.25 Hex .....	2
2	1012830	Screw, M8-125 X 22 Hex-Head .....	1
3	1013734	Lockwasher, 8mm Split .....	2
4	1015814	Bracket, Muffler Mounting .....	1
5	1016904	Gasket, Exhaust .....	1
6	1017689	Clamp, 5" Muffler Hose .....	1
7	102585901	Exhaust System, FE350, Precedent .....	1
8	1241	Washer, 5/16 Type A Flat .....	1
9	332	Washer, 1/4 Type A Narrow Flat .....	2
10	451	Lockwasher, 1/4 Split .....	2
11	7174	Lockwasher, 5/16 Split .....	1
12	7847	Screw, 1/4-20 X 0.75 Hex-Head Cap .....	2

**13**

**G**

13

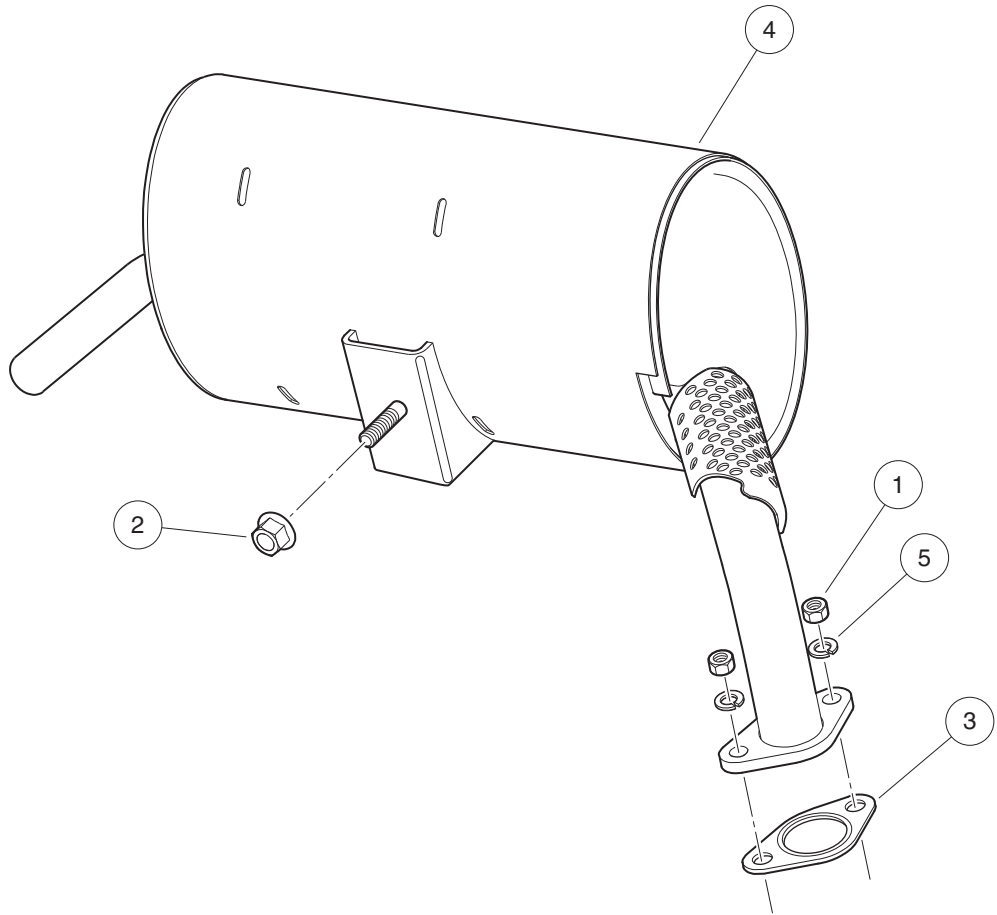
G

# EXHAUST SYSTEM, GOLF – SUBARU EX40

---

14

G



000948-003

## EXHAUST SYSTEM, GOLF – SUBARU EX40

ITEM	PART NO.	DESCRIPTION	QTY
		1 2 3 4	
1	1012528	Nut, M8-1.25 Hex .....	2
2	102617201	Nut, Flanged, M10 X 1.5, Mechanically Deformed .....	1
3	103993601	Gasket, Exhaust, EX40 .....	1
4	105076201	Exhaust System, EX40 .....	1
5	7174	Lockwasher, 5/16 Split .....	2

**14**

**G**



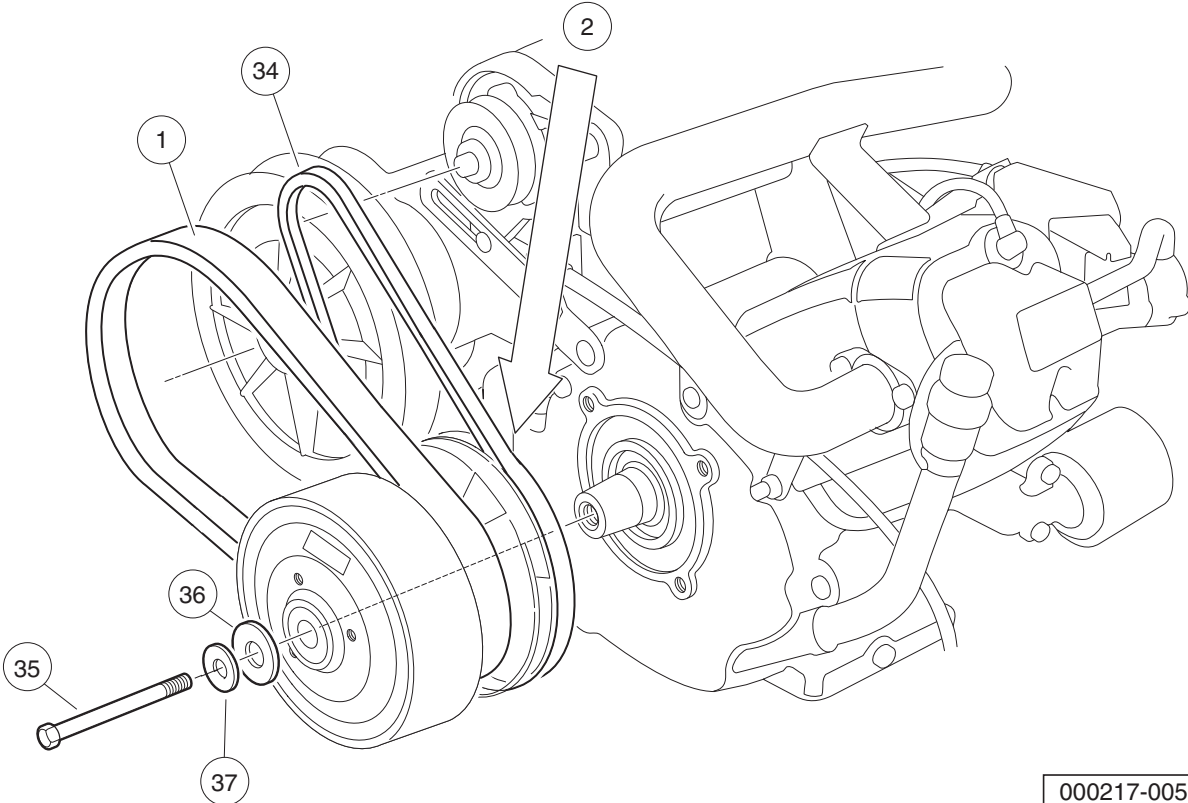
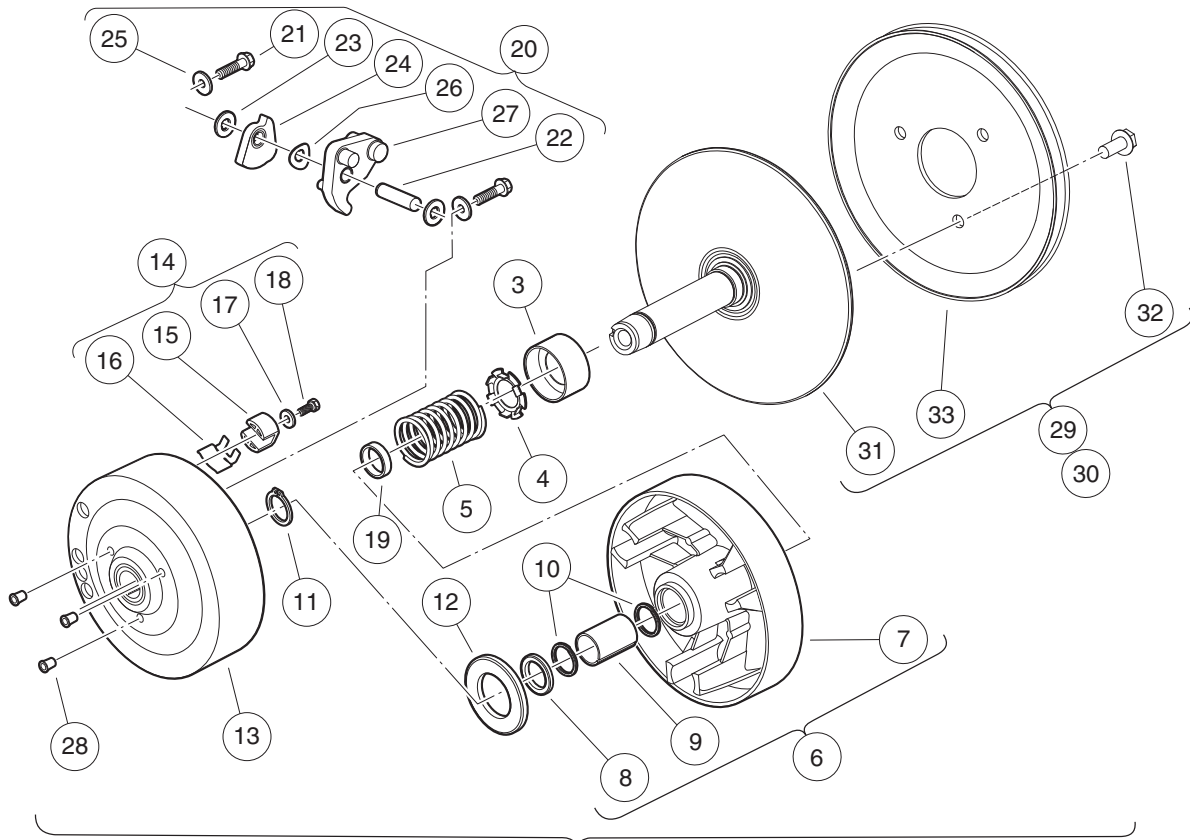


# DRIVE BELT AND CLUTCHES – KAW. FE350

---

15

G



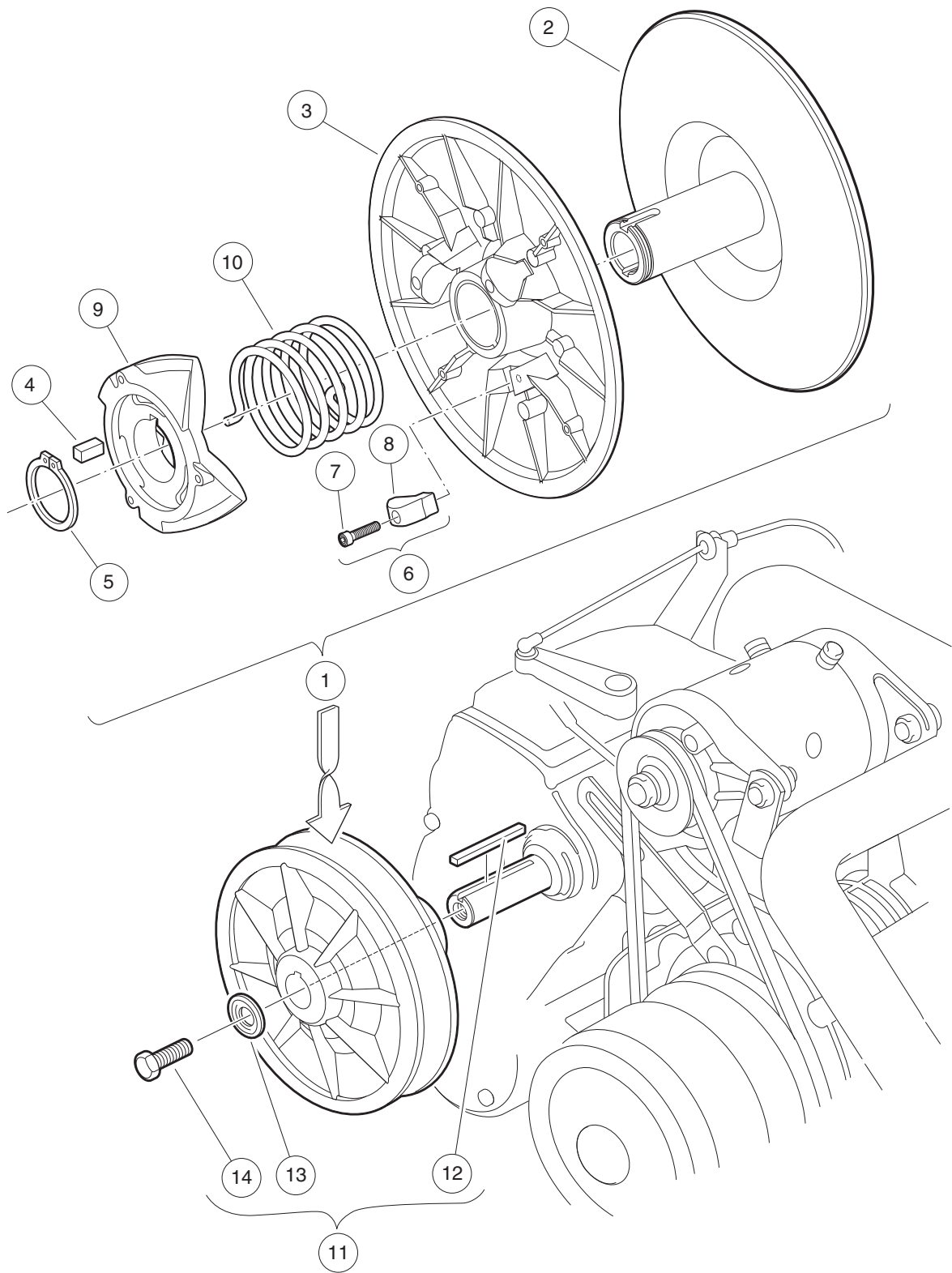
000217-005

# DRIVE CLUTCH – KAW. FE350

ITEM	PART NO.	DESCRIPTION	QTY
		1 2 3 4	
1	1016203	Belt, Drive .....	1
2	101833902	Clutch, Drive (includes items 3 through 29) .....	1
3	1014049	Bearing, Idler .....	1
4	1014050	Retainer, Spring .....	1
5	1014051	Spring, Drive Clutch .....	1
6	1014052	Movable-Face Assembly (includes items 7 through 9) .....	1
7	N/A	Drive Clutch Movable Face .....	1
8	1014055	Retainer .....	1
9	N/A	Bushing, Split, Drive Clutch .....	1
10	1014056	Ring, Spiral Backup .....	2
11	1014057	Ring, 0.810" Internal Retaining .....	1
12	1014058	Thrust Washer .....	1
13	1014059	Drive Hub Assy, Drive Clutch .....	1
14	1014453	Kit, Drive Clutch Button (includes items 15 through 18) .....	1
15	1014062	Driver, Drive Clutch .....	3
16	1014287	Spring, Drive Button .....	3
17	183	Washer, #10, Type A, Flat .....	3
18	8450	Screw, #10-24 X 0.50, Hex-Head .....	3
19	1016289	Spacer, Fixed Face Shaft .....	1
20	1016801	Kit, Drive Clutch Weight (includes items 21 through 27) .....	1
21	1014063	Screw, 1/4-20 X 1.00, Hex Head .....	6
22	N/A	Pin, Dowel, 0.3752 x 1.50 .....	3
23	1014065	Washer, Flat, 0.38" ID, Delrin .....	6
24	N/A	Clutch Weight, Secondary .....	3
25	N/A	Washer .....	6
26	1016201	Washer, Wave .....	3
27	N/A	Weight, Primary .....	3
28	101925601	Plug, Drive Clutch .....	3
29	101929802	Kit, Fxd Face Dr Asm Fe290/350 (includes item 30) .....	1
30	N/A	Assembly, Fixed-Face Drive (includes items 31 through 33) .....	1
31	N/A	Fixed Face Assembly, Drive Clutch .....	1
32	1014288	Screw, 5/16-18 X 0.75, Thread-Forming .....	3
33	N/A	Pulley, Clutch .....	1
34	101916701	V-Belt .....	1
35	103345701	Screw 3/8-24x5.5 Hex Loc Ptch .....	1
36	334	Washer, 3/8, Type A, Flat .....	1
37	808	Washer, 3/8 Type B Flat .....	1

15

G



000219-001

# DRIVEN CLUTCH – KAW. FE350

ITEM	PART NO.	DESCRIPTION	QTY
		1 2 3 4	
1	101834001	Assembly, Driven Clutch (includes items 2 through 10) .....	1
2	1014070	Fixed Face Assy, Driven Clutch .....	1
3	1014072	Movable-Face Assembly with Bushing .....	1
4	1014078	Key, Driven Clutch .....	1
5	1014080	Ring, Retaining .....	1
6	1014454	Kit, Driven Clutch Button (includes items 7 and 8) .....	1
7	1012836	Screw, #8-32 X 3/4, Socket-Head Cap .....	3
8	N/A	Button, Drive .....	3
9	1017686	Cam, Driven Clutch .....	1
10	101836201	Spring, Driven Clutch, Reversed .....	1
11	AM10419	Kit, Clutch Repair (includes items 12 through 14) .....	1
12	101833401	Key, 3/16 Sq X 1.50" .....	1
13	102155801	Washer, Driven Clutch .....	1
14	102242101	Screw, 5/16-18 X 3/4 Hex-Head with Patch .....	1

15

G

**15**

**G**

# DRIVE BELT AND CLUTCHES – SUBARU EX40

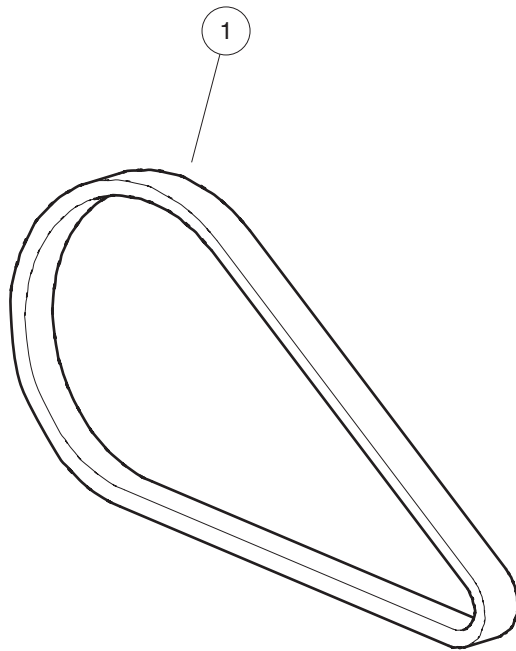
---

16

G

16

G



000918-001

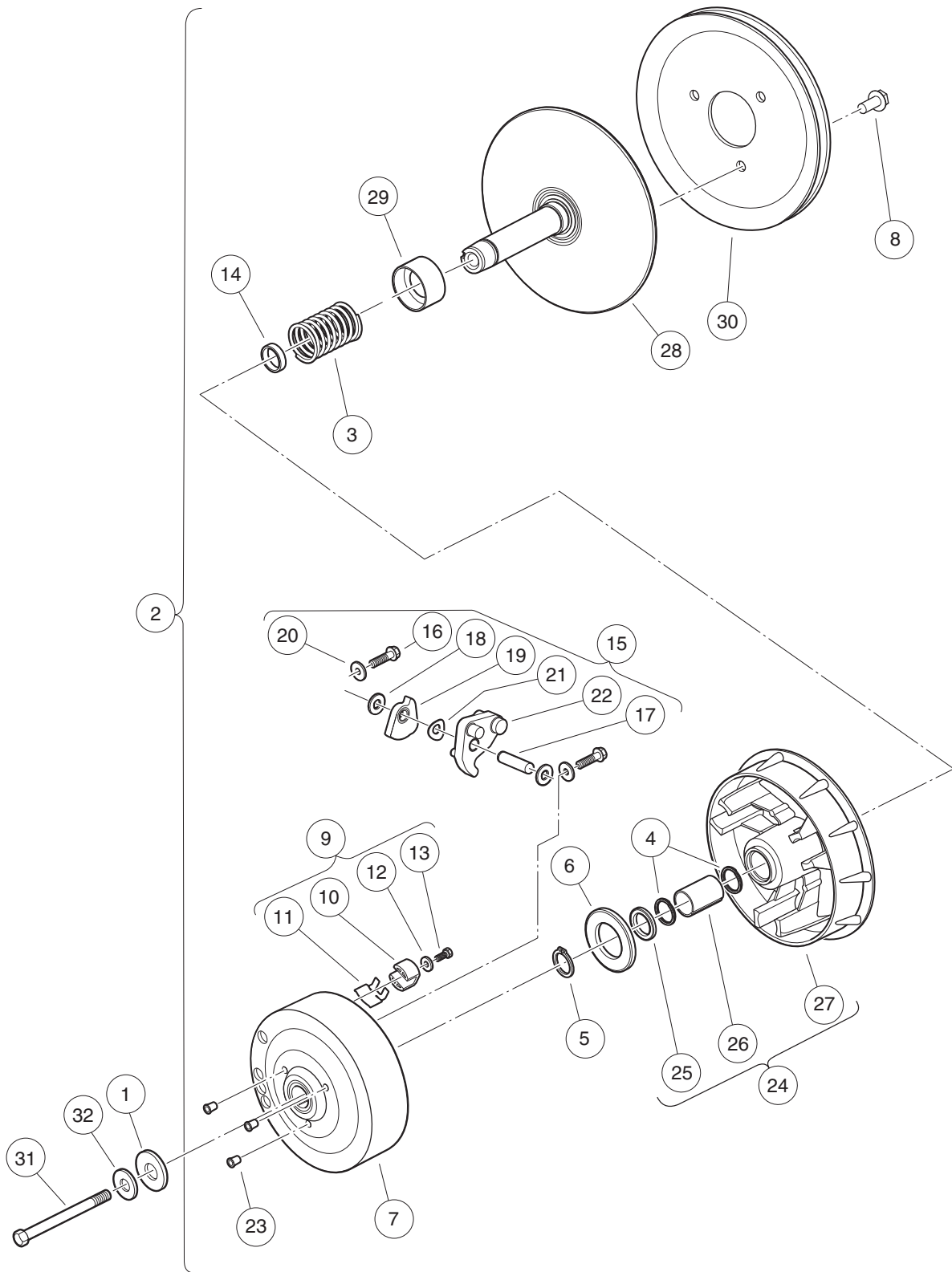


## DRIVE BELT – PEDAL-START VEHICLES WITH EFI

ITEM	PART NO.	DESCRIPTION	QTY
1	105245801	1 2 3 4 Belt, Drive, Pedal-Start .....	1

16

G



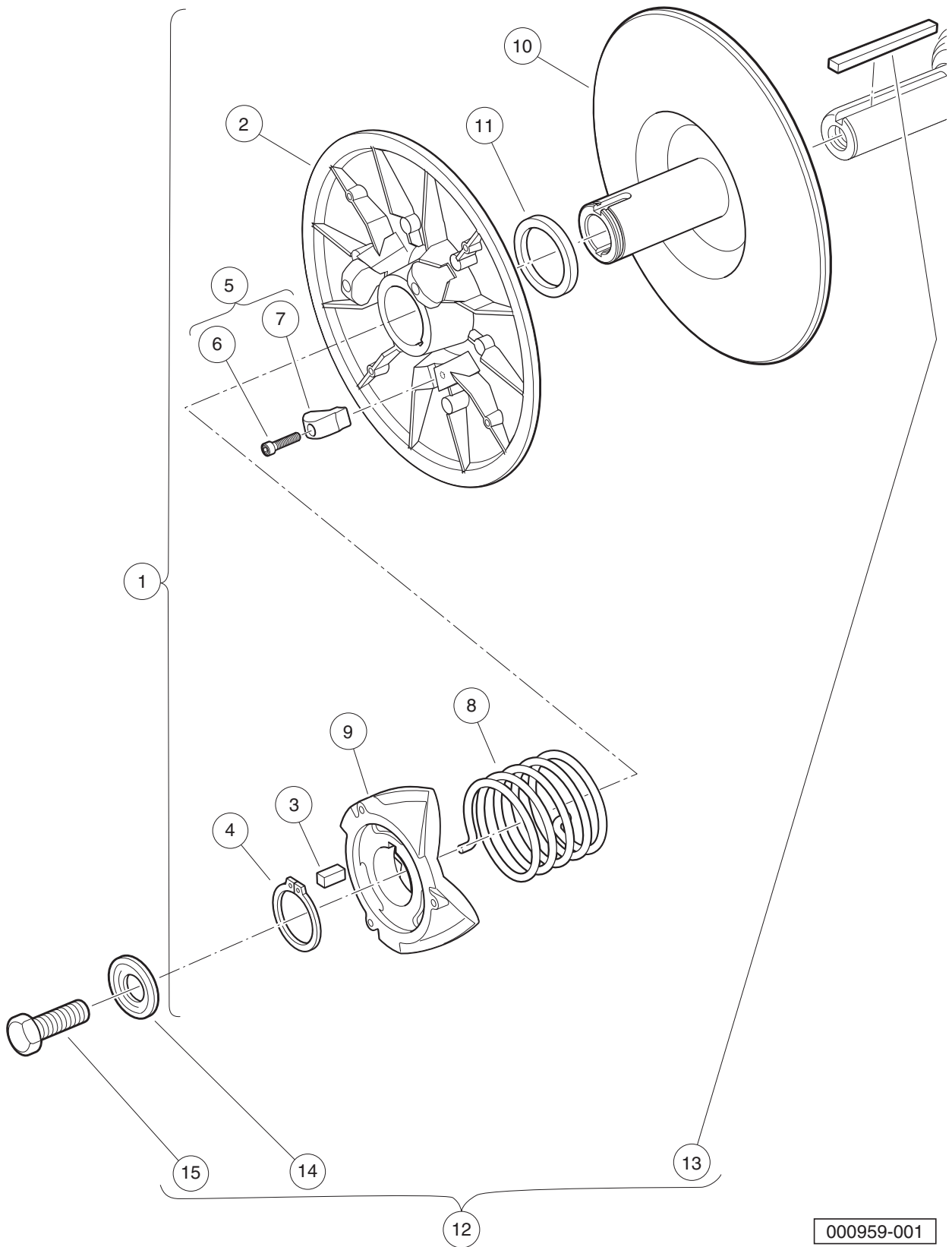
000958-001

# DRIVE CLUTCH – PEDAL-START VEHICLES WITH EFI

ITEM	PART NO.	DESCRIPTION	QTY
		1 2 3 4	
1	102491501	Washer, Hard, M10 .....	1
2	103973901	Clutch, Drive, Pedal-Start (includes items 3 through 30) .....	1
3	1014051	Spring, Drive Clutch .....	1
4	1014056	Ring, Spiral Backup .....	2
5	1014057	Ring, 0.810" Internal Retaining .....	1
6	1014058	Thrust Washer .....	1
7	1014059	Drive Hub Assy, Drive Clutch .....	1
8	1014288	Screw, 5/16-18 X 0.75, Thread-Forming .....	3
9	1014453	Kit, Drive Clutch Button (includes items 10 through 13) .....	1
10	1014062	Driver, Drive Clutch .....	3
11	1014287	Spring, Drive Button .....	3
12	183	Washer, #10, Type A, Flat .....	3
13	8450	Screw, #10-24 X 0.50, Hex-Head .....	3
14	1016289	Spacer, Fixed Face Shaft .....	1
15	1016801	Kit, Drive Clutch Weight (includes items 16 through 22) .....	1
16	1014063	Screw, 1/4-20 X 1.00, Hex Head .....	6
17	N/A	Pin, Dowel, 0.3752 x 1.50 .....	3
18	1014065	Washer, Flat, 0.38" ID, Delrin .....	6
19	N/A	Clutch Weight, Secondary .....	3
20	N/A	Washer .....	6
21	1016201	Washer, Wave .....	3
22	N/A	Weight, Primary .....	3
23	N/A	Cap Plug .....	3
24	103974201	Asm, Sheave, Moveable, Drive, Wr (includes items 25 through 27) .....	1
25	1014055	Retainer .....	1
26	N/A	Bushing, Split, Drive Clutch .....	1
27	N/A	Sheave, Moveable, Drive, Wr .....	1
28	103974401	Sheave, Fixed, Drive, Wr .....	1
29	103984601	Spacer, Idler, Drive .....	1
30	105096101	Pulley, 7.3 Inch Effective Dia .....	1
31	103976101	Screw, 3/8-24x5.75, Patch .....	1
32	334	Washer, 3/8, Type A, Flat .....	1

16

G



000959-001

## DRIVEN CLUTCH – ALL GASOLINE VEHICLES WITH EFI

ITEM	PART NO.	DESCRIPTION	QTY
		1 2 3 4	
1	103974002	Clutch, Driven, Std-Speed, Key and Pedal Start (includes items 2 through 11) .....	1
2	1014072	Movable-Face Assembly with Bushing .....	1
3	1014078	Key, Driven Clutch .....	1
4	1014080	Ring, Retaining .....	1
5	1014454	Kit, Driven Clutch Button (includes items 6 and 7) .....	1
6	1012836	Screw, #8-32 X 3/4, Socket-Head Cap .....	3
7	N/A	Button, Drive .....	3
8	1017145	Spring, Driven Clutch, 55 Degree .....	1
9	1017686	Cam, Driven Clutch .....	1
10	103975301	Sheave, Fixed, Driven, Wr .....	1
11	104025101	Washer, Acetal, Driven Clutch .....	1
12	AM10419	Kit, Clutch Repair (includes items 13 through 15) .....	1
13	101833401	Key, 3/16 Sq X 1.50" .....	1
14	102155801	Washer, Driven Clutch .....	1
15	102242101	Screw, 5/16-18 X 3/4 Hex-Head with Patch .....	1

16

G

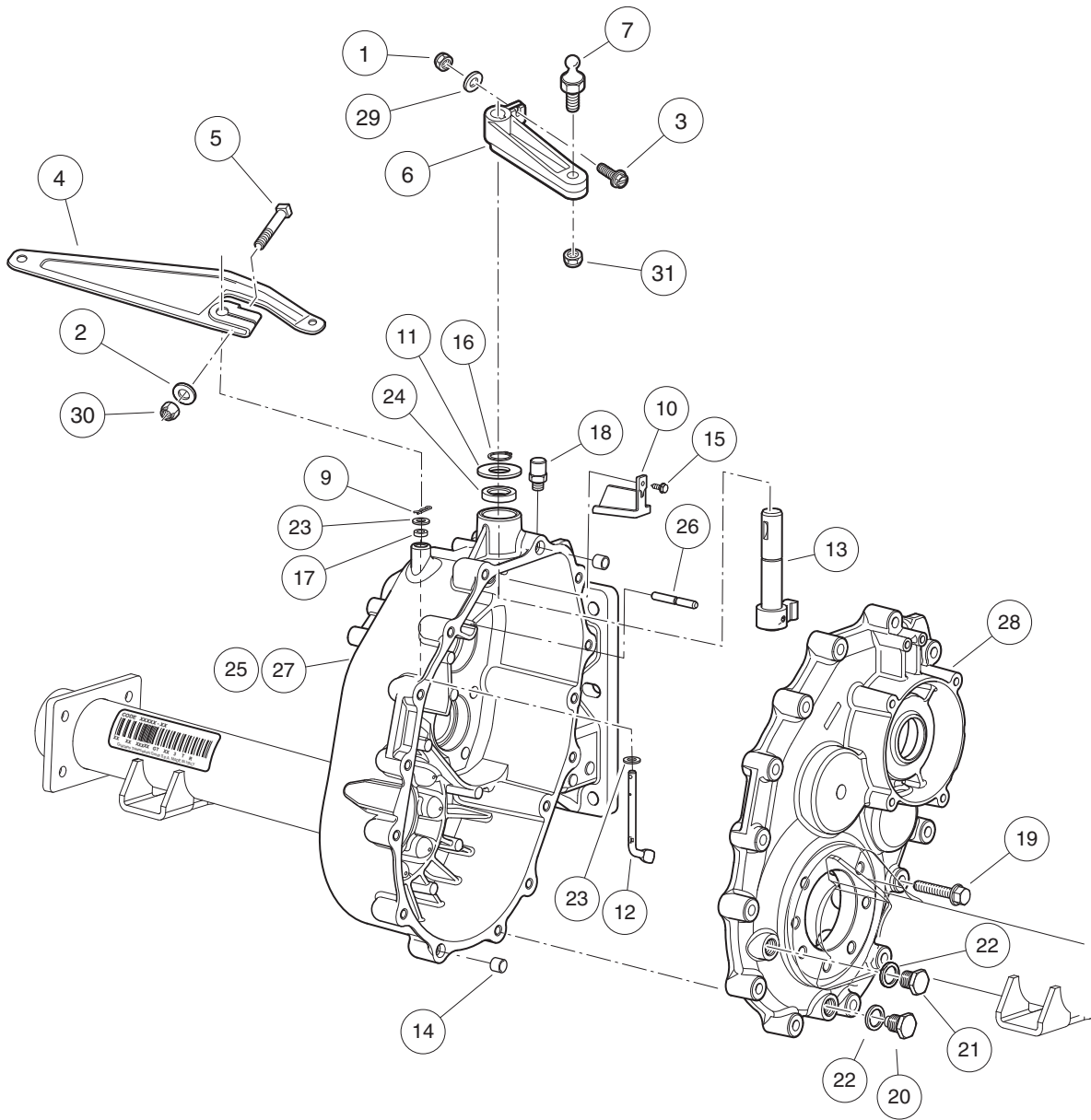


# UNITIZED TRANSAXLE, GRAZIANO (FOR KAW. FE350)

---

17

G



000680-007

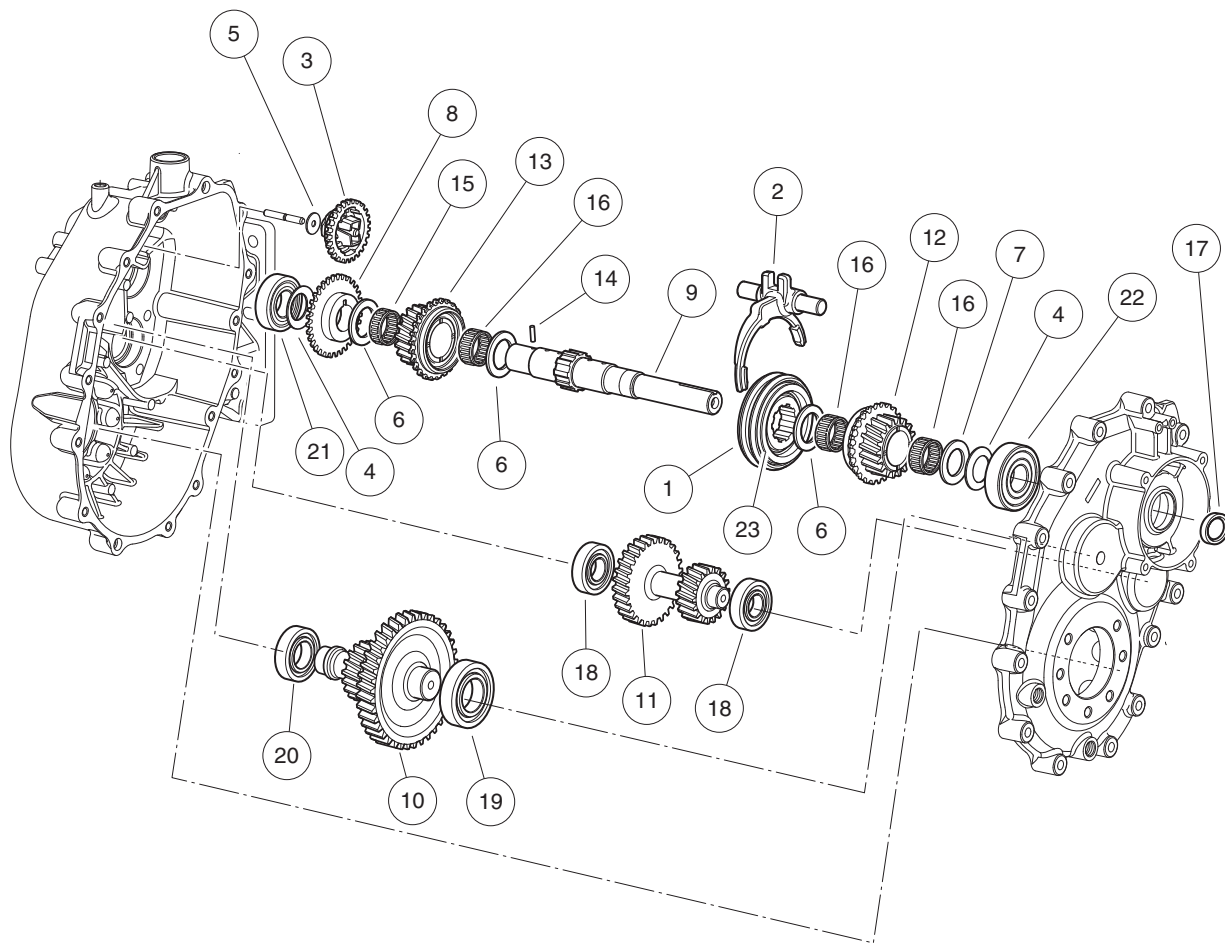


# GRAZIANO TRANSAXLE – GEAR CASES AND LEVERS

ITEM	PART NO.	DESCRIPTION	QTY
		1 2 3 4	
1	1013061	Locknut, #10-32 Nylon Insert .....	1
2	1014007	Washer, 1/4, Flat .....	1
3	1017082	Screw, #10-32 X 0.75, Hex-Head Machine .....	1
4	101834801	Arm, Governor .....	1
5	101886101	Screw, 1/4-20 X 1.00, Square-Head .....	1
6	102515401	Lever, Transmission Shift .....	1
7	102526201	Stud, Thread, 1/4-28 .....	1
8	103874201	Transaxle, Gas, 11.77:1, Gtg (includes items 9 through 28) .....	1
9	102897401	Pin, Split .....	1
10	102897601	Conveyor, Oil .....	1
11	102897801	Washer, Thrust .....	1
12	102897901	Lever, Speed Governor .....	1
13	102898201	Unit, Drive Selector .....	1
14	102899101	Dowel .....	2
15	102899201	Screw .....	1
16	102899401	Ring, Snap .....	1
17	102899701	Grommet .....	1
18	102899801	Breather .....	1
19	102900001	Screw .....	15
20	102900101	Drain Plug, Magnetic .....	1
21	102900201	Fill Plug .....	1
22	102900301	Seal .....	2
23	102900601	Washer .....	2
24	102900901	Grommet .....	1
25	103882101	Case, Transaxle, W/gov Pin (includes items 26 and 27) .....	1
26	N/A	Pin, Speed Governor .....	1
27	N/A	Cover, Gear Box (Driver-Side) .....	1
28	103882301	Cover, Gear Box (Passenger-Side) .....	1
29	183	Washer, #10, Type A, Flat .....	1
30	8233	Locknut, 1/4-20, Nylon Insert .....	1
31	8717	Locknut, Nylon Insert, 1/4-28 .....	1
<p>Note: Graziano transaxle component listings span three pages. To identify your transaxle, locate the serial number decal on the axle tube. 103874201 is backwards compatible. However, some service parts are not compatible with other transaxles.</p>			

17

G



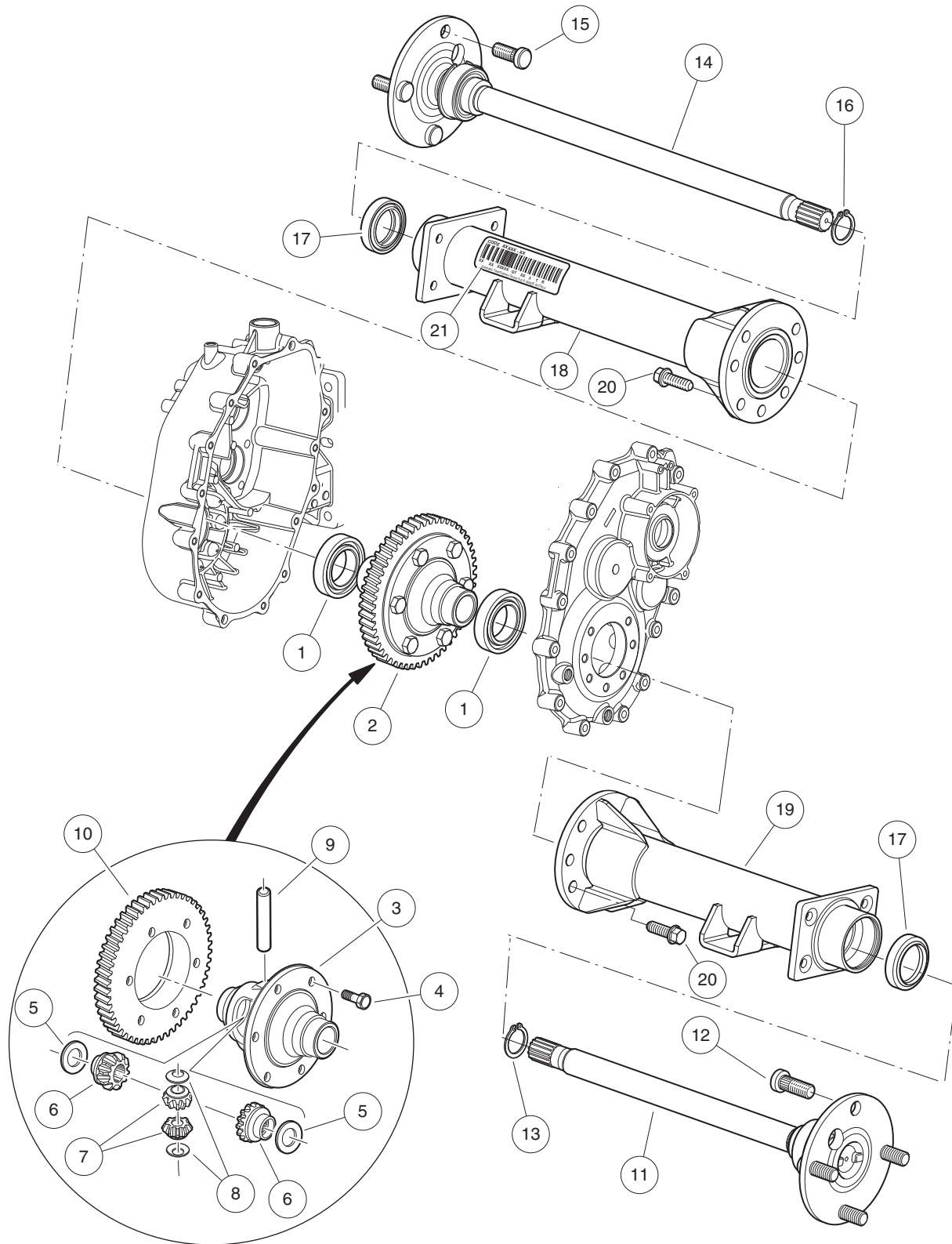
000680-008

# GRAZIANO TRANSAXLE – F&R TRANSMISSION AND GEAR REDUCTION

17

G

ITEM	PART NO.	DESCRIPTION	QTY
		1 2 3 4	
1	102897201	Synchronizer, Complete .....	1
2	102897301	Fork, Complete .....	1
3	102897701	Assembly, Speed Governor .....	1
4	102898001	Washer, Belleville .....	2
5	102898101	Bearing, Thrust .....	1
6	102898301	Bearing, Thrust .....	3
7	102898401	Washer, Thrust .....	1
8	102898501	Gear, Speed Governor .....	1
9	102898601	Shaft, Main .....	1
10	102898701	Shaft, Secondary .....	1
11	102898801	Shaft, Reverse Gear .....	1
12	102898901	Gear, Complete, 25t .....	1
13	102899001	Gear, Complete, 28t .....	1
14	102899301	Pin .....	1
15	102899501	Cage, Roller .....	1
16	102899601	Cage, Roller .....	3
17	102899901	Grommet .....	1
18	102900401	Bearing .....	2
19	102900501	Bearing, 62 Od X 30 Id X 16 .....	1
20	102900701	Bearing .....	1
21	102901001	Bearing .....	1
22	102901101	Bearing .....	1
23	103882001	Washer, Wave, Trans Synchro .....	2
<p>Note: To identify your transaxle, locate the serial number decal on the axle tube.</p>			



000681-002

# GRAZIANO TRANSAXLE -DIFFERENTIAL AND AXLES

ITEM	PART NO.	DESCRIPTION	QTY
		1 2 3 4	
1	102900801	Bearing, 68 Od X 40 Id X 15 .....	2
2	102902001	Assembly, Differential (includes items 3 through 10) .....	1
3	102901201	Box, Differential .....	1
4	102901301	Screw, M10 X 25 .....	6
5	102901401	Ring, Sleeve .....	2
6	102901501	Gear, Sun .....	2
7	102901601	Gear, Planetary .....	2
8	102901701	Ring, Sleeve .....	2
9	102901801	Pin .....	1
10	102901901	Gear .....	1
11	102902101	Shaft, Axle, Short, Complete (Passenger-Side) (includes items 12 and 13) .....	1
12	102902301	Bolt, Stud .....	4
13	102902401	Snap Ring .....	1
14	102902201	Shaft, Axle, Long, Complete (Driver-Side) (includes items 15 and 16) .....	1
15	102902301	Bolt, Stud .....	4
16	102902401	Snap Ring .....	1
17	102902501	Seal, Lip .....	2
18	102902601	Axle Tube, (Driver-Side) .....	1
19	102902701	Axle Tube, (Passenger-Side) .....	1
20	102902801	Screw, M10 X 30 .....	14
21	N/A	Tag, Serial .....	1
<p style="margin-left: 40px;">Note: To identify your transaxle, locate the serial number decal on the axle tube.</p>			

17

G

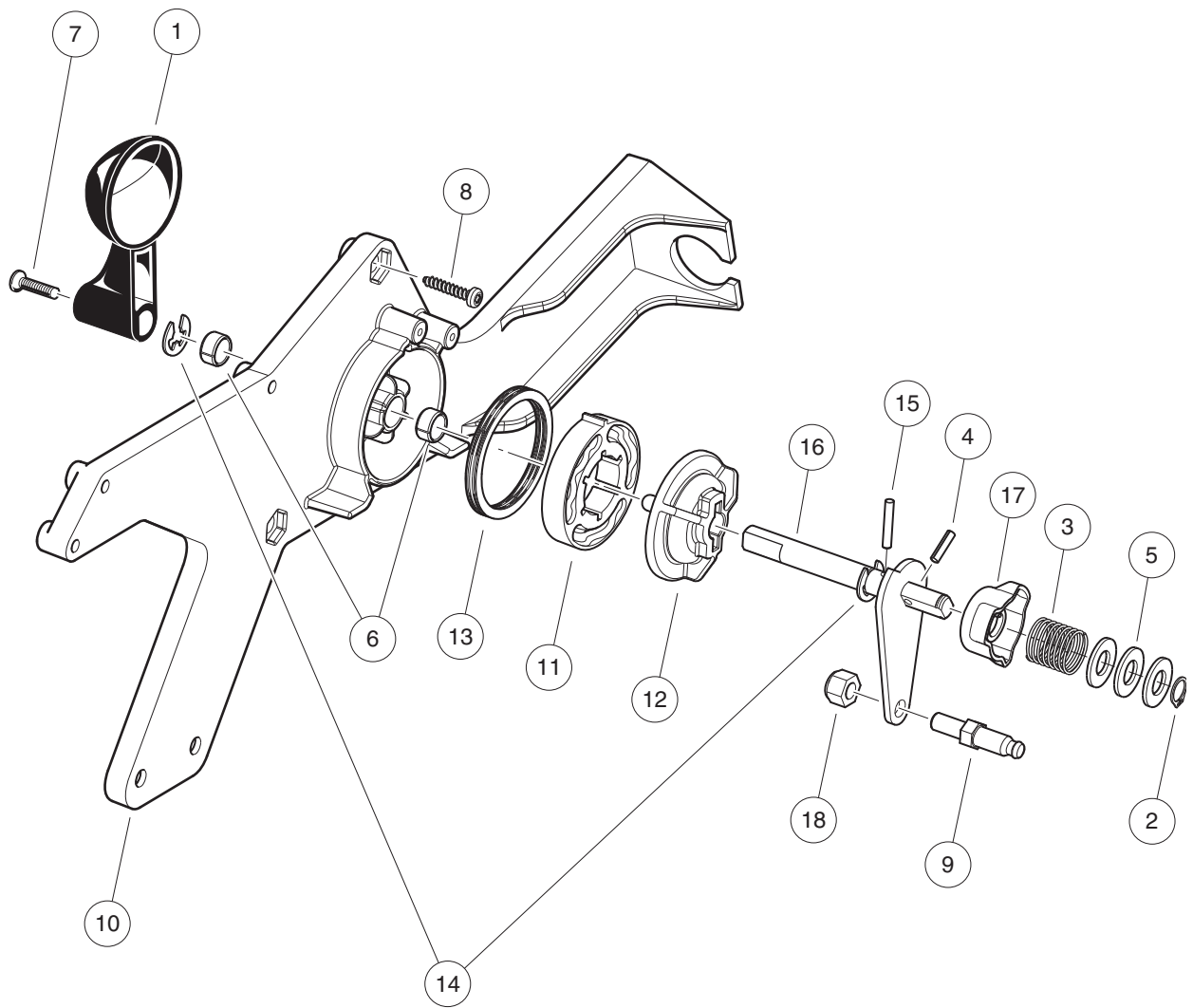


# TRANSAXLE, FUJI ED65 (FOR SUBARU EX40)

---

18

G



001063-001

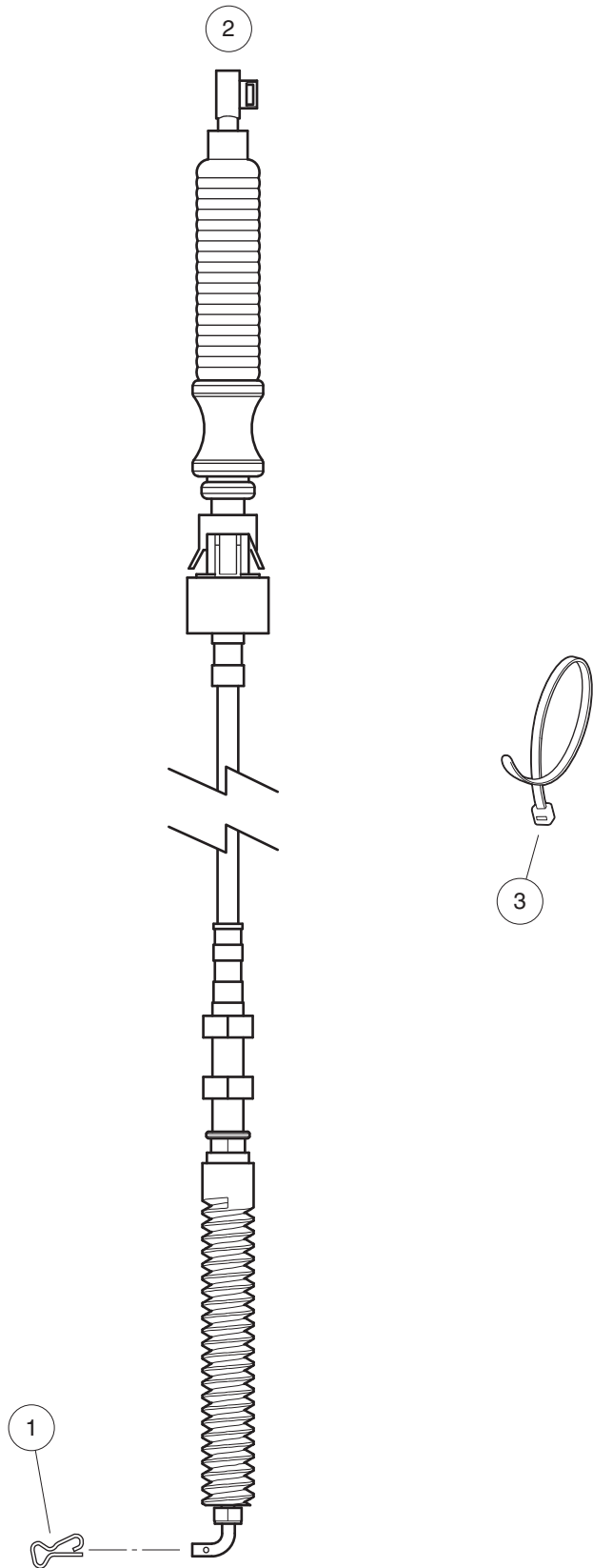


# FORWARD/REVERSE SHIFTER ASSEMBLY – EFI

ITEM	PART NO.	DESCRIPTION	QTY
		1 2 3 4	
1	1012987	Handle, FNR .....	1
2	1013589	Ring, Retaining, 0.338" Internal .....	1
3	1013590	Spring, FNR Cam .....	1
4	1013591	Pin, Roll, 1/8 X 1/2 .....	1
5	1014065	Washer, Flat, 0.38" ID, Delrin .....	3
6	1014145	Bushing, Secondary Weight, Split .....	2
7	1015064	Screw, #8-32 X 0.63 Machine .....	1
8	102296040	Screw, Torx Pan Hd Pt, M6 X 40 .....	3
9	102526201	Stud, Thread, 1/4-28 .....	1
10	105037501	Housing, Gas FNR Body Shift .....	1
11	105037601	Cam, FNR Detent, 45 Degree .....	1
12	105037701	Follower, FNR Detent .....	1
13	105038501	Spring, Wave, Gas FNR Shifter .....	1
14	105039801	E-Clip, External, 8mm Groove .....	2
15	105040401	Pin, Round, 0.125 Dia x 0.625 .....	1
16	105041101	Weldment, Shaft, Fnr, Prec .....	1
17	105074101	Cam, Neutral Lockout, EX40 .....	1
18	8717	Locknut, Nylon Insert, 1/4-28 .....	1

**18**

**G**



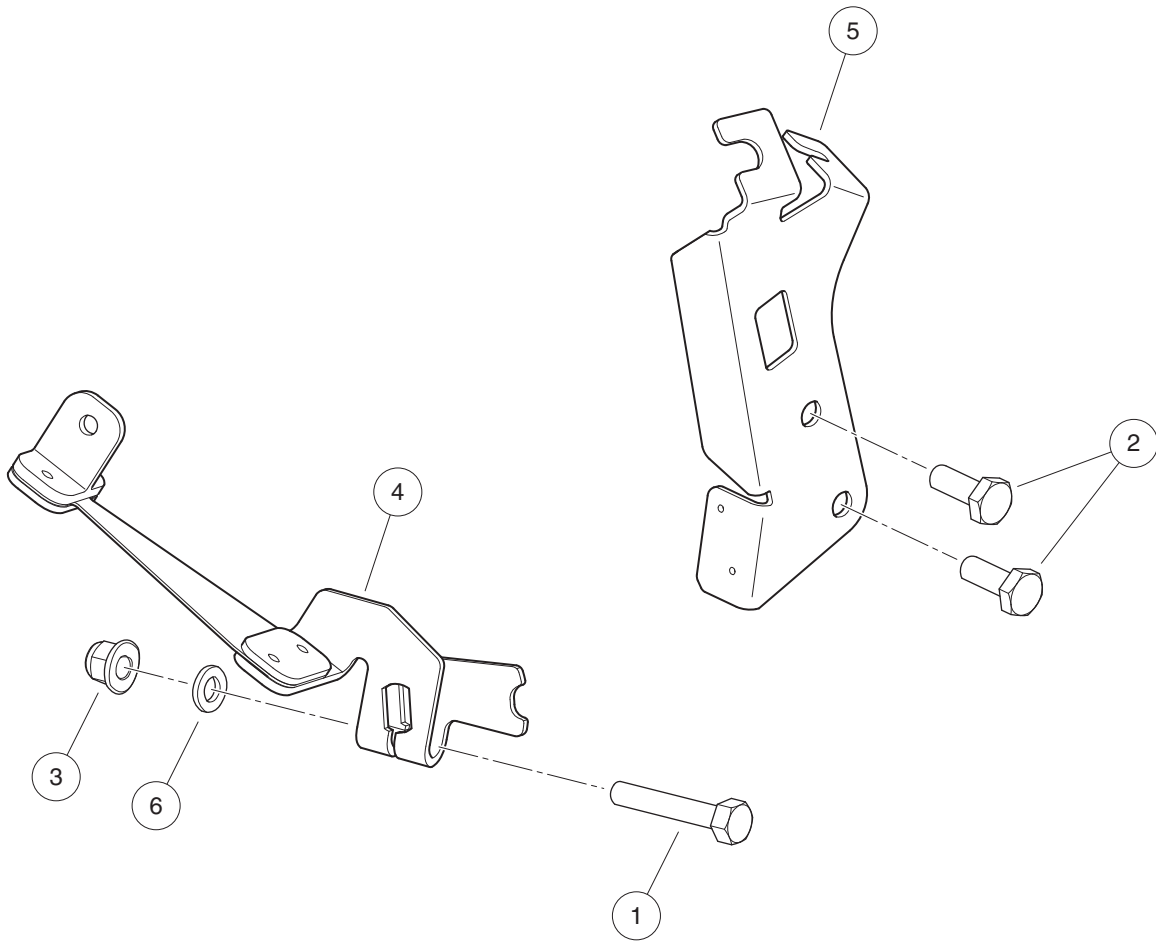
000988-001

# SHIFTER CABLE – CA100, XRT800, PRECEDENT

ITEM	PART NO.	DESCRIPTION	QTY
		1 2 3 4	
1	103886601	Clip, Bowtie .....	1
2	105038801	Cable, Shifter, Precedent/CA100/XRT800 .....	1
3	8990	Tie Wrap, 8" Nylon .....	A/R

18

G

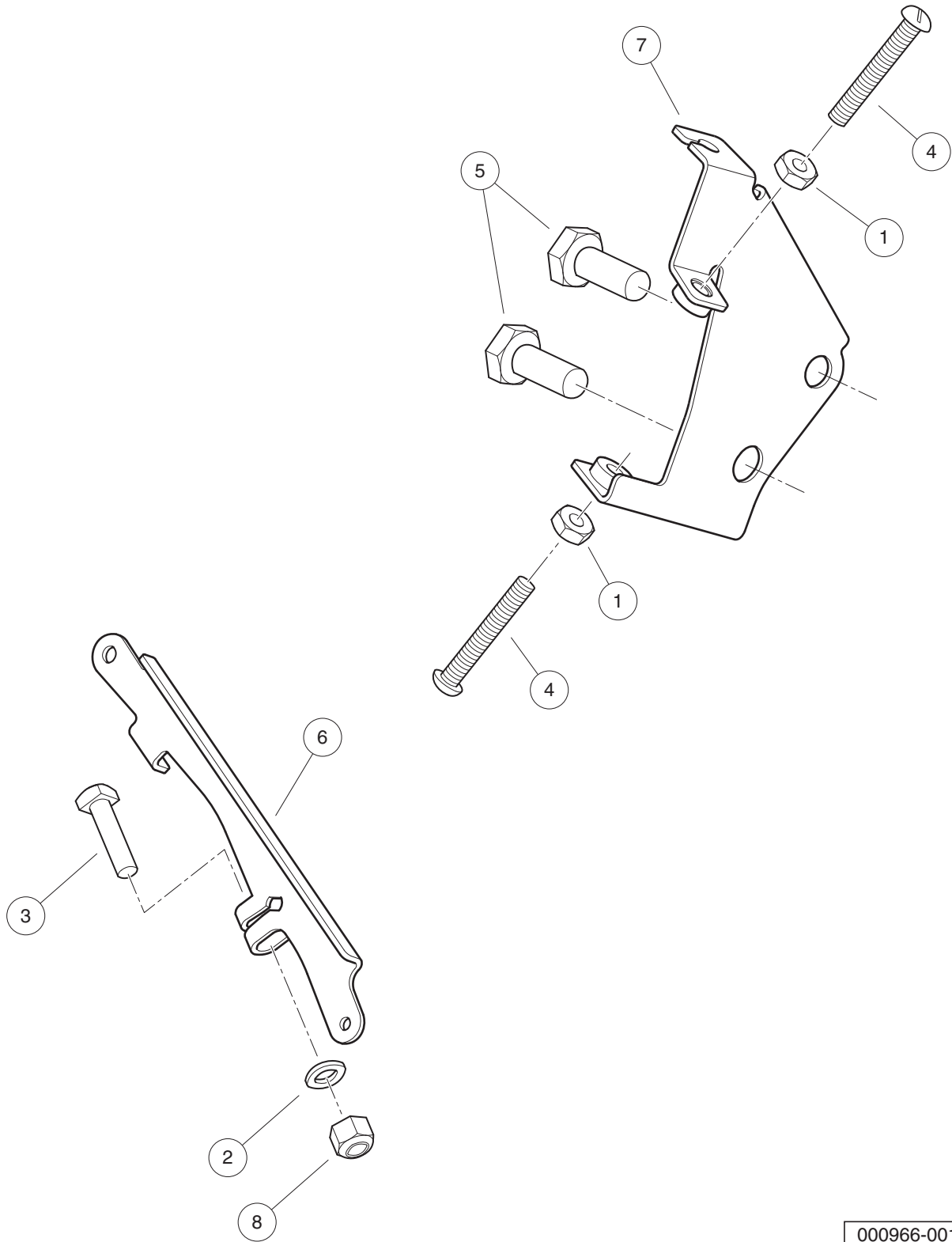


000965-001

# SHIFT LEVER AND BRACKET – PEDAL-START ENGINES

ITEM	PART NO.	DESCRIPTION	QTY
		1 2 3 4	
1	102059501	Screw, 6M-1.00 X 35mm, Hex Head .....	1
2	102498201	Bolt, M10 X 1.25 X 25, Loctite .....	2
3	102621501	Nut, Flange, M6 X 1.0, Nylon .....	1
4	105040901	Lever, Shift, Flex, Transaxle, Pedal-Start .....	1
5	105135101	Bracket, Cable, FNR/Accelerator, ED65 .....	1
6	96705199	Washer, M6 .....	1

**18**  
**G**



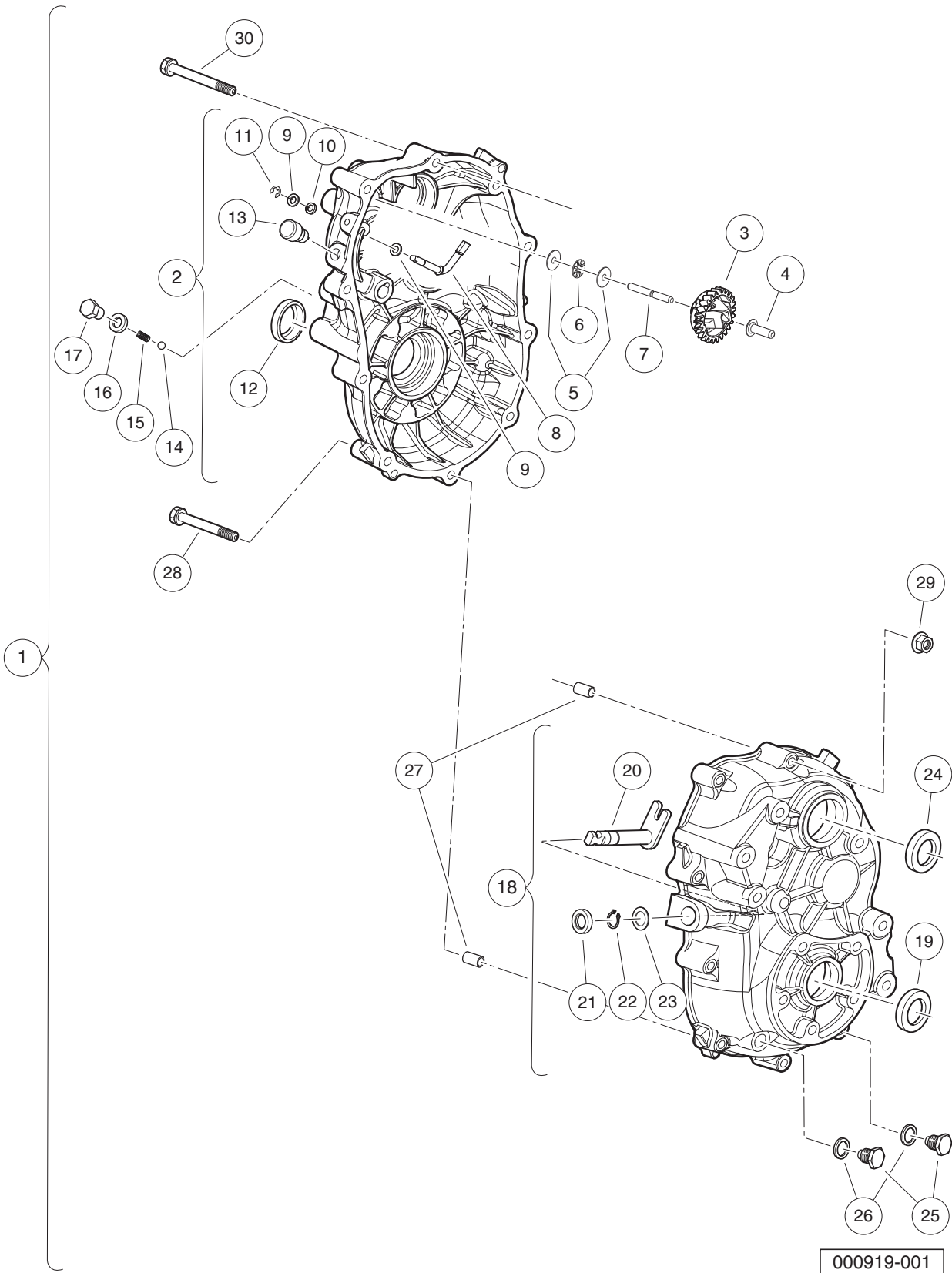
000966-001

## GOVERNOR ARM AND BRACKETS – PRECEDENT

ITEM	PART NO.	DESCRIPTION	QTY
		1 2 3 4	
1	1011114	Nut, M6-1.00 Hex .....	2
2	1014007	Washer, 1/4, Flat .....	1
3	101886101	Screw, 1/4-20 X 1.00, Square-Head .....	1
4	102476401	Bolt, Stop, Pedal .....	2
5	102498201	Bolt, M10 X 1.25 X 25, Loctite .....	2
6	104023501	Arm, Governor, ED65 .....	1
7	105144401	Weldment, Governor Bracket .....	1
8	8233	Locknut, 1/4-20, Nylon Insert .....	1

18

G



000919-001

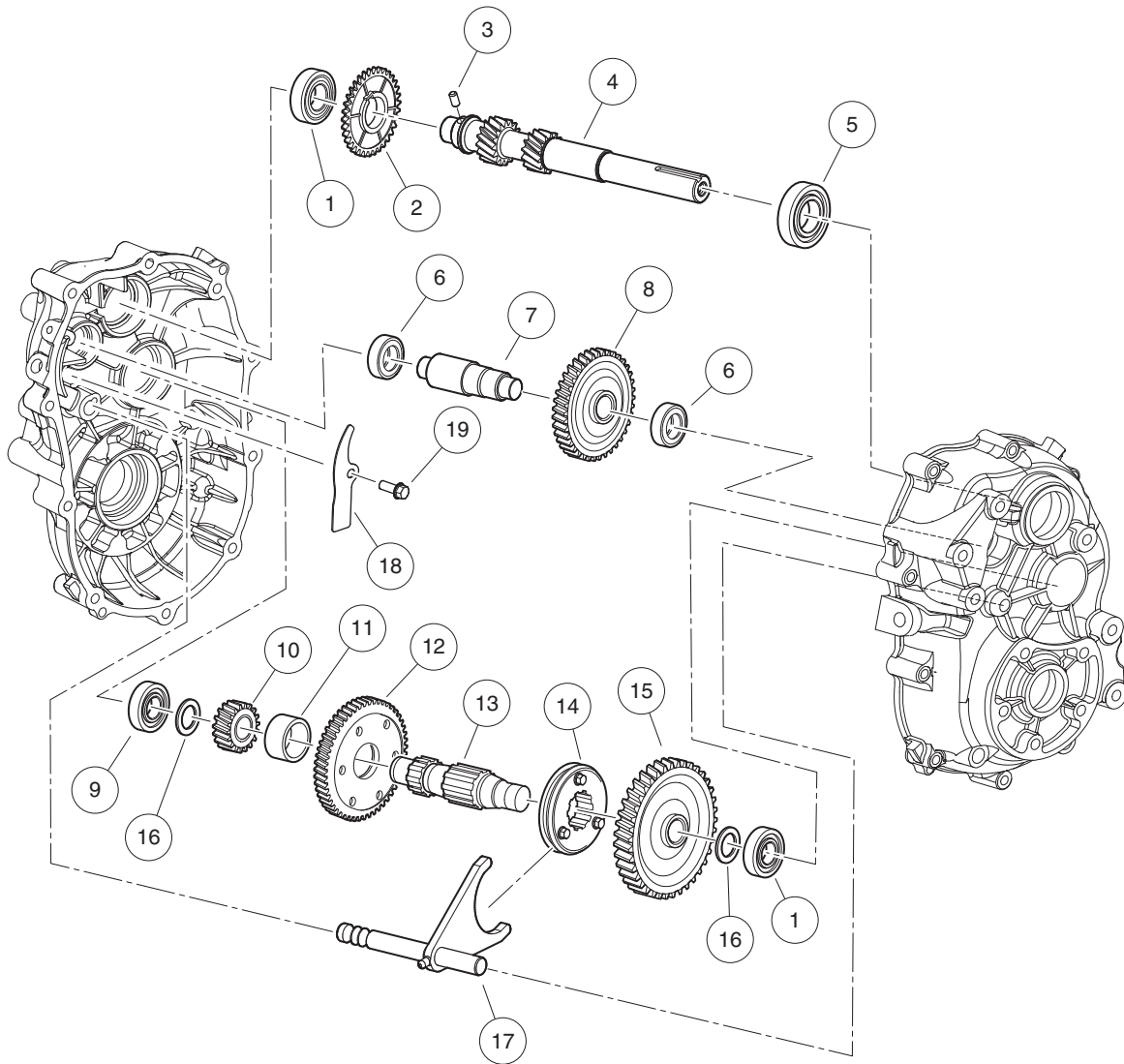


# TRANSAXLE (ED65), OPEN – PAGE 1 OF 3

ITEM	PART NO.	DESCRIPTION	QTY
		1 2 3 4	
1	103879701	Transaxle, ED65, Open Differential (includes items 2 through 30) .....	1
2	105025001	Case, Transaxle, Left, Complete, ED65 (includes items 3 through 13) .....	1
3	105025101	Gear, Governor, Complete, ED65 .....	1
4	105025201	Sleeve, Governor, ED65 .....	1
5	105025301	Washer, ED65 .....	2
6	105025401	Bearing, Thrust, ED65 .....	1
7	105025501	Shaft, Governor Gear, ED65 .....	1
8	105025601	Shaft, Governor, ED65 .....	1
9	105025701	Washer, 6mm, ED65 .....	2
10	105025801	Seal, Oil, 6x10x2.5, ED65 .....	1
11	105025901	Retaining Ring, E5, ED65 .....	1
12	105026001	Seal, Oil, 24x40x9, ED65 .....	1
13	105027101	Vent, Breather, ED65 .....	1
14	105026101	Ball, Steel, ED65 .....	1
15	105026201	Spring, ED65 .....	1
16	105026301	Gasket, 10, ED65 .....	1
17	105026401	Bolt, M10-1.25x12mm Lg, ED65 .....	1
18	105026501	Case, Transaxle, Right, Complete, ED65 (includes items 19 through 24) .....	1
19	105026001	Seal, Oil, 24x40x9, ED65 .....	1
20	105026601	Shaft, Select, ED65 .....	1
21	105026701	Seal, Oil, 13x22x5, ED65 .....	1
22	105026801	Snap Ring, 13mm, ED65 .....	1
23	105026901	Spacer, 13x1, ED65 .....	1
24	105027001	Seal, Oil, 25x45x7, ED65 .....	1
25	105027201	Plug, Oil Drain, ED65 .....	2
26	105027301	Gasket, 14, ED65 .....	2
27	105028301	Pin, Guide, ED65 .....	2
28	105028501	Bolt, Flange, M8-1.25x65mm, ED65 .....	1
29	105030001	Nut, Flange, M8-1.25, ED65 .....	10
30	105030701	Bolt, Flanged, M8-1.25x80mm, ED65 .....	9
<p>Note: Fuji transaxle component listings span three pages. To identify your transaxle, locate the serial number decal on the axle tube.</p>			

18

G



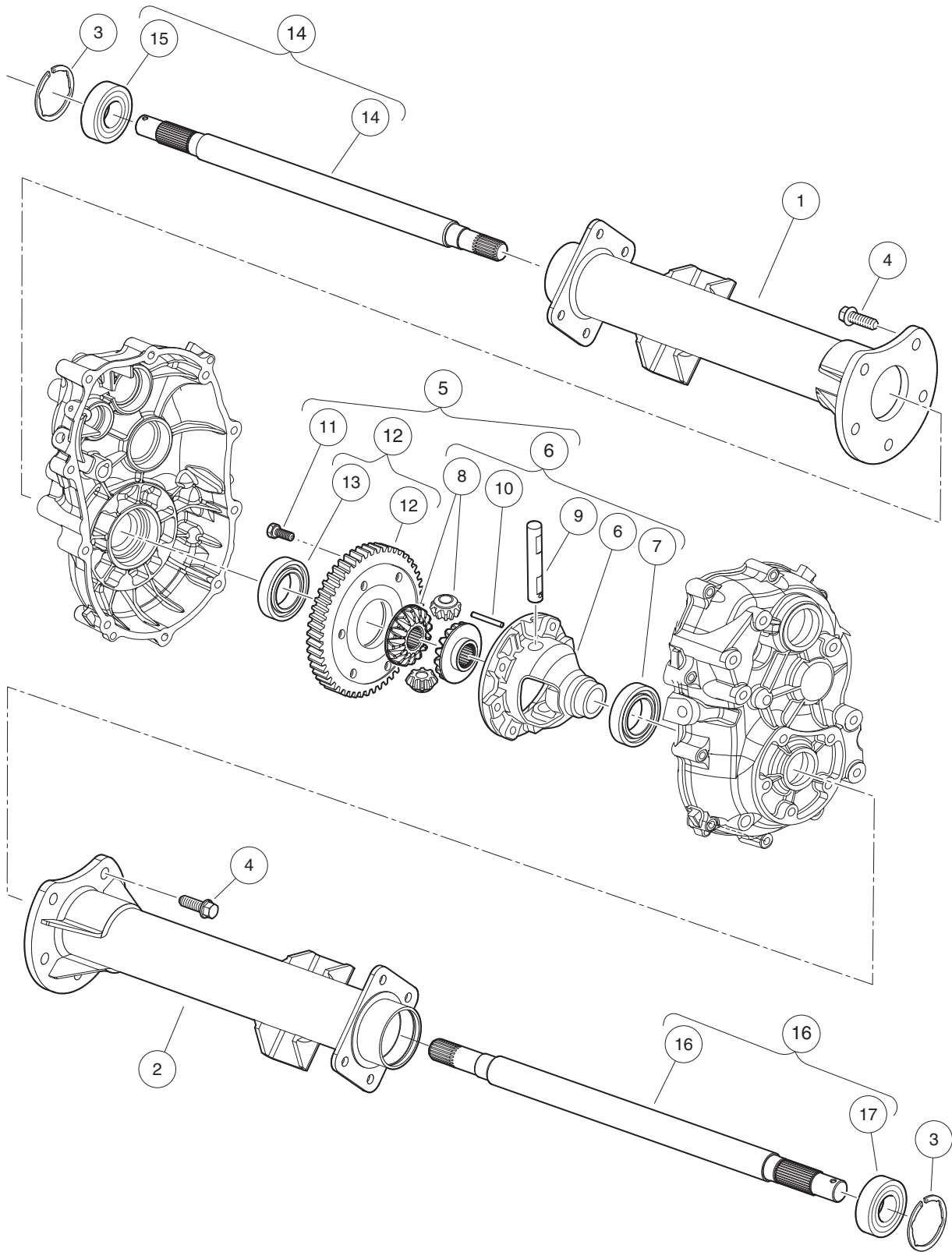
000919-007

# TRANSAXLE (ED65), LIMITED SLIP AND OPEN – PAGE 2 OF 3

ITEM	PART NO.	DESCRIPTION	QTY
		1 2 3 4	
1	105027401	Bearing, Ball (6204) .....	2
2	105027501	Gear, Governor, 34 Tooth, ED65 .....	1
3	105027601	Pin, 6x12 Long, ED65 .....	1
4	105027701	Shaft, Input, ED65 .....	1
5	105027801	Bearing, Ball (6205 seal) .....	1
6	105027901	Bearing, Ball (6202) .....	2
7	105028001	Shaft, Counter, ED65 .....	1
8	105028201	Gear, 34 Tooth, ED65 .....	1
9	105028401	Bearing, Ball (6304) .....	1
10	105028601	Gear, 17 Tooth, ED65 .....	1
11	105028701	Collar, 24 x 12, ED65 .....	1
12	105028801	Gear, 52 Tooth, ED65 .....	1
13	105028901	Shaft, Center, ED65 .....	1
14	105029001	Clutch, Pin, ED65 .....	1
15	105029101	Gear, 62 Tooth, ED65 .....	1
16	105029201	Spacer, 20x2, ED65 .....	2
17	105030901	Shaft, Shift, ED65 .....	1
18	105234801	Plate, Ed65 Splash .....	1
19	105234901	Bolt, M6-1 X 12mm Lg, Ed65 .....	1
Note: To identify your transaxle, locate the serial number decal on the axle tube.			

18

G



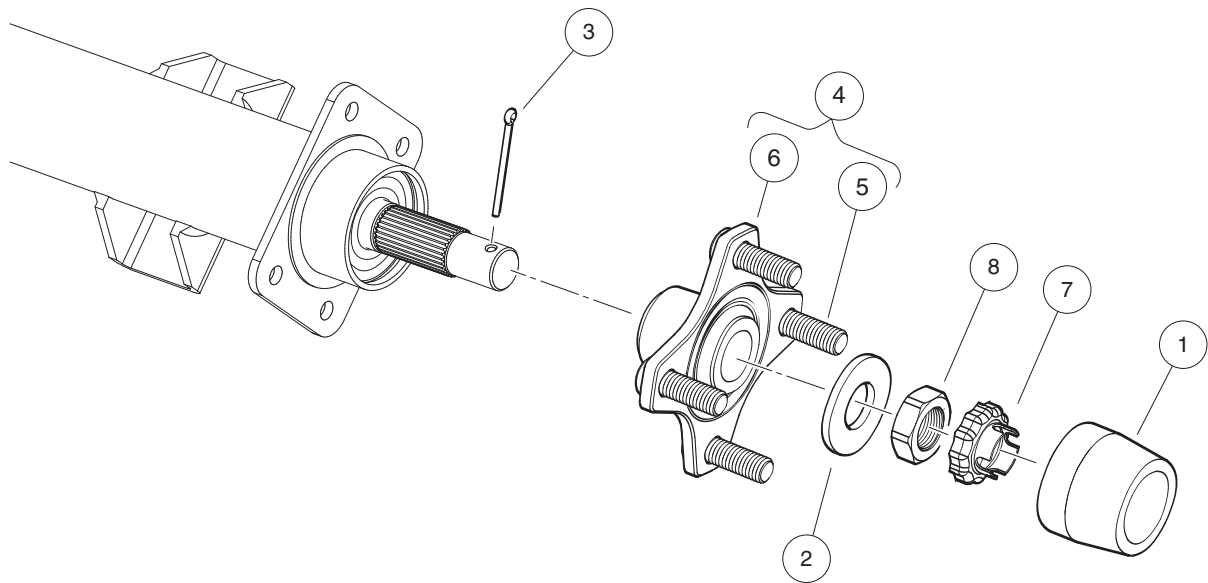
000919-004

## TRANSAXLE (ED65), OPEN – PAGE 3 OF 3

ITEM	PART NO.	DESCRIPTION	QTY
		1 2 3 4	
1	105030401	Axle Tube, Driver-Side, ED65 .....	1
2	105030501	Axle Tube, Passenger-Side, ED65 .....	1
3	105030601	Snap Ring, 52mm, ED65 .....	2
4	105030801	Bolt, Flange, M10-1.25x25, ED65 .....	10
5	105031001	Differential, Open, ED65 (includes items 6 through 12) .....	1
6	105029301	Case, Differential, Complete, ED65 (includes items 7 through 10) .....	1
7	105028101	Bearing, Ball (6006) .....	1
8	105029401	Gear Set, Differential, ED65 .....	1
9	105029601	Shaft, Differential, ED65 .....	1
10	105029701	Pin, 4x40 Long, ED65 .....	1
11	105029501	Bolt, M10-1.25x26mm Lg, ED65 .....	6
12	105029901	Gear, 60 Tooth, Complete, ED65 (includes item 13) .....	1
13	105029801	Bearing, Ball (6007) .....	1
14	105066001	Axle Shaft, Driver-Side, Complete, ED65 (includes item 15) .....	1
15	105030301	Bearing, Ball (6205DD) .....	1
16	105066101	Axle Shaft, Passenger-Side, Complete, ED65 (includes item 17) .....	1
17	105030301	Bearing, Ball (6205DD) .....	1
<p style="margin-left: 40px;">Note: To identify your transaxle, locate the serial number decal on the axle tube.</p>			

18

G



000919-006

# HUB, REAR

ITEM	PART NO.	DESCRIPTION	QTY
		<b>1 2 3 4</b>	
1	102274101	Center Cap, Rubber .....	2
2	102617801	Washer, Hard, M22 .....	2
3	103989501	Pin, Cotter, 9/64 X 1.75" .....	2
4	103995001	Asm, Hub, Machined, Golf/Utility (includes items 5 and 6) .....	2
5	103951501	Lug Stud, 1/2-20 UNF, SAE J1102 .....	4
6	103979301	Hub, Machined, Golf/Utility .....	1
7	104021701	Retaining Ring, Hex Nut, M22 .....	2
8	104027101	Nut, Hex, M22x1.5, Thin .....	2

**18**  
**G**



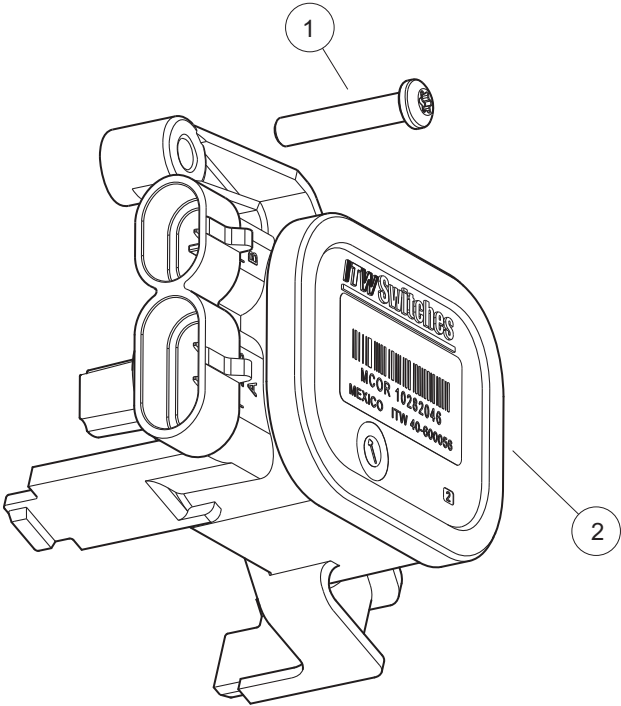


# ELECTRICAL SYSTEM – EXCEL WITH HIGH FREQUENCY CHARGERS

---

19

*E*



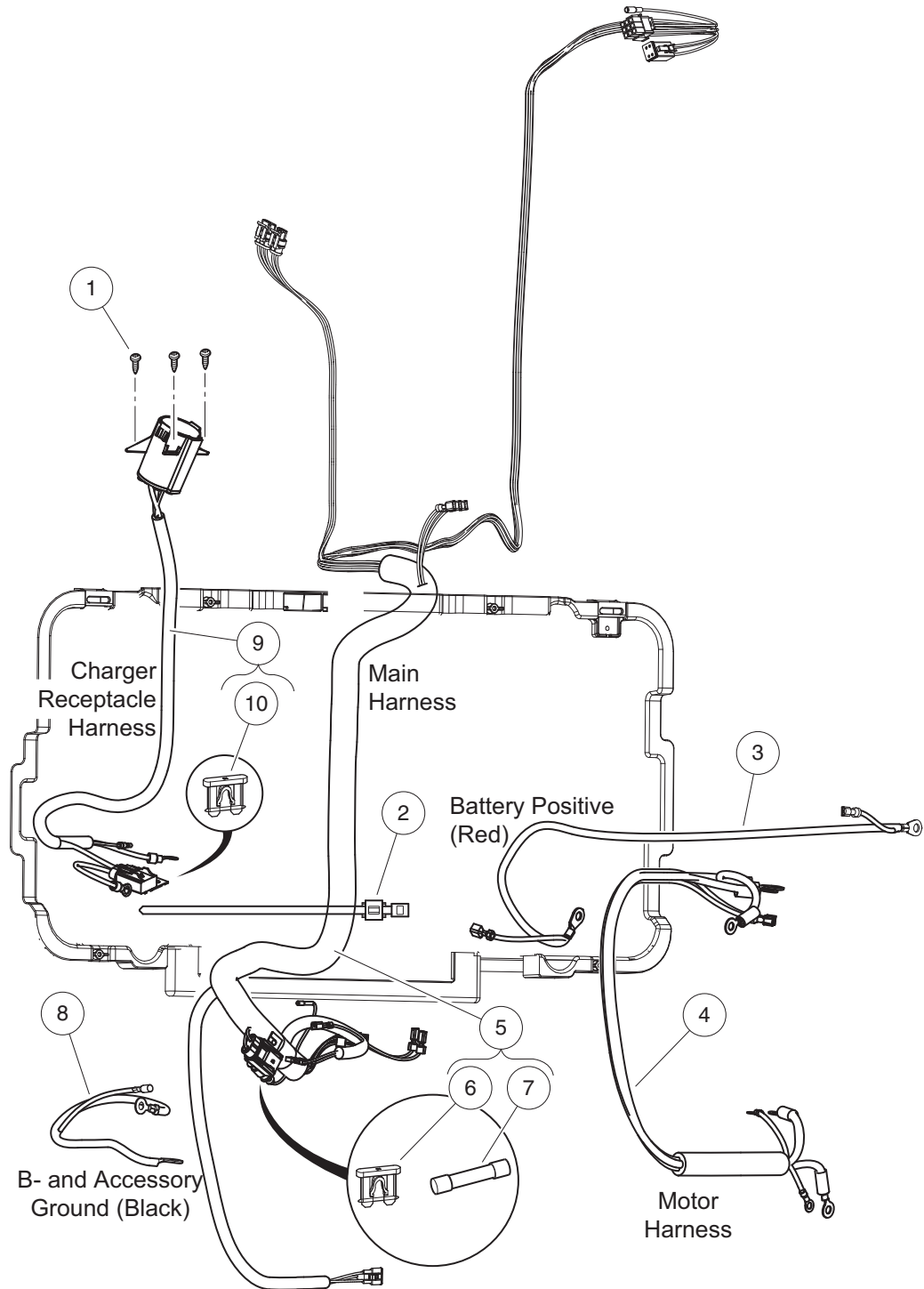
000243-005

# MOTOR CONTROLLER OUTPUT REGULATOR (MCOR)

ITEM	PART NO.	DESCRIPTION	QTY
1	103943401	1 2 3 4 Screw, Pan, #10 X 1.00 Hi-lo .....	1
2	105116301	MCOR4, Type 16 Switch .....	1

19

E



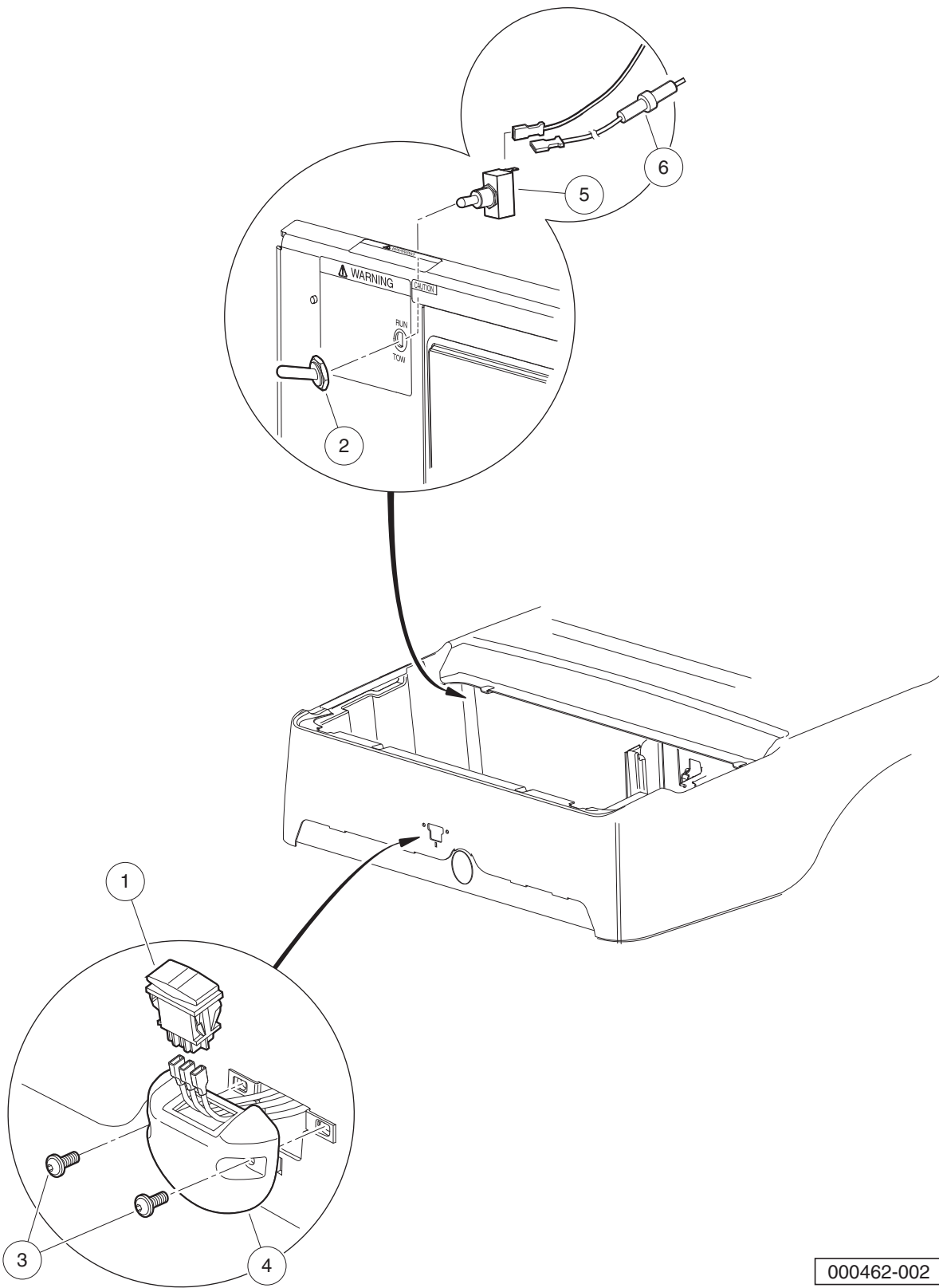
000647-002

# WIRING AND FUSES

19

E

ITEM	PART NO.	DESCRIPTION	QTY
		1 2 3 4	
1	101832001	Screw, #7-19 X 0.625 Phillips Pan-Head Tap .....	3
2	102554901	Clip, Edge, with Wire Tie .....	1
3	103375402	Asm, Wire, Battery Positive, B+, Short .....	1
4	103375702	Asm, Harness, Motor 1/4 .....	1
5	104023201	Harness, Main, Prec, Excel w/Hi-Freq, Mcor3 (includes items 6 and 7) .....	1
6	102538601	15 Amp Fuse .....	1
7	103924801	Fuse, Glass, 2-Amp .....	1
8	104024001	Asm, Wire, Battery Negative, B-, w/ Accy Ground .....	1
9	105137401	Harness, Wire, Charger Receptacle (for Yellow DC Cord) (includes item 10) .....	1
10	102492301	Fuse, 30-Amp .....	1
11	8639	Tie Wrap, 11" Nylon .....	A/R
12	8990	Tie Wrap, 8" Nylon .....	A/R
<p style="text-align: center;">Note: Items 11 and 12 not shown.</p>			



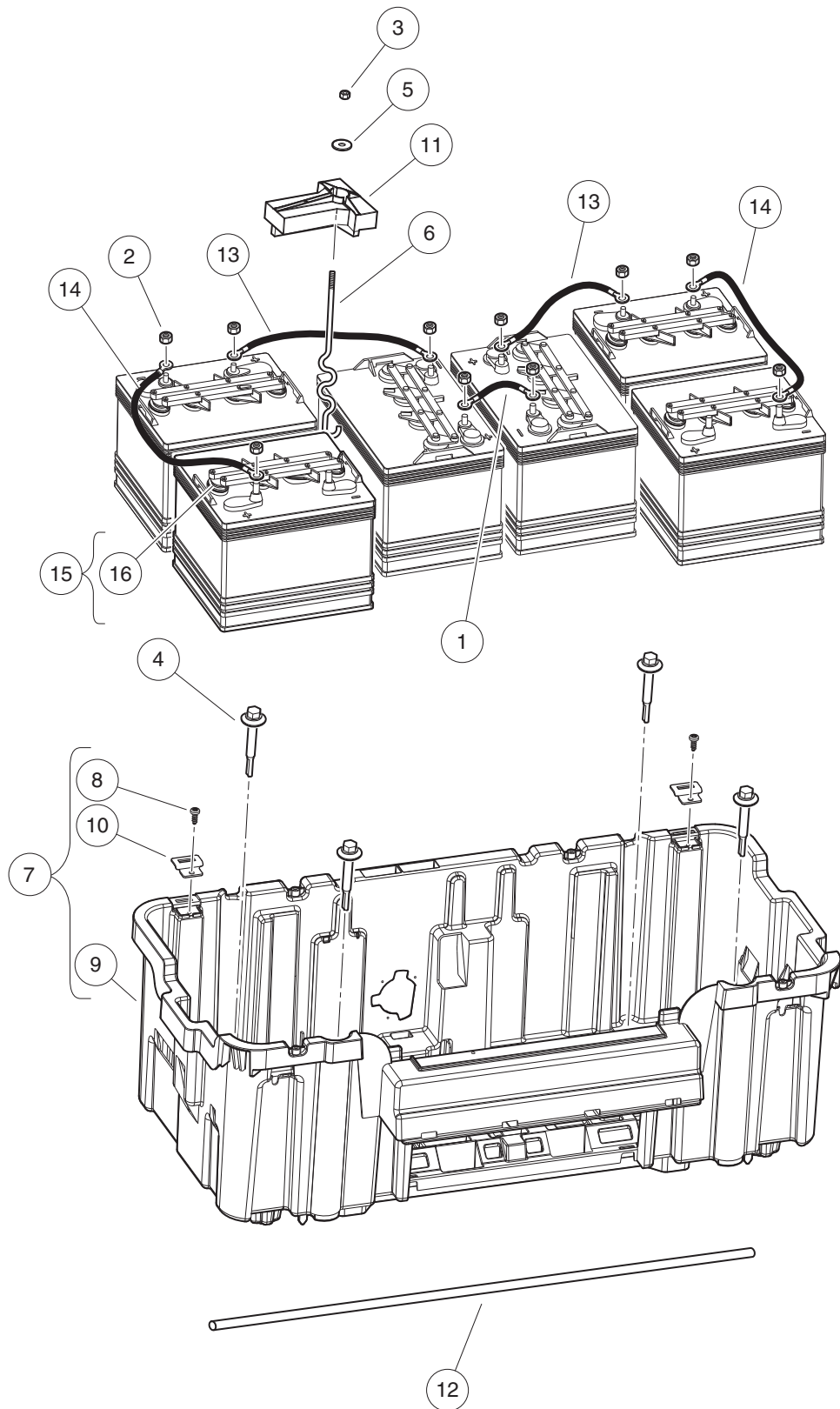
000462-002

## FORWARD/REVERSE SWITCH AND TOW/RUN SWITCH

ITEM	PART NO.	DESCRIPTION	QTY
		<b>1 2 3 4</b>	
1	101856001	Switch, Rocker, Double-Pole .....	1
2	101908401	Boot, Switch .....	1
3	102296920	Screw, M6, Torx Button Head, Sems .....	2
4	102508401	Housing, FNR Electric .....	1
5	102511101	Switch, Tow .....	1
6	102538601	15 Amp Fuse .....	1

19

E



000682-001

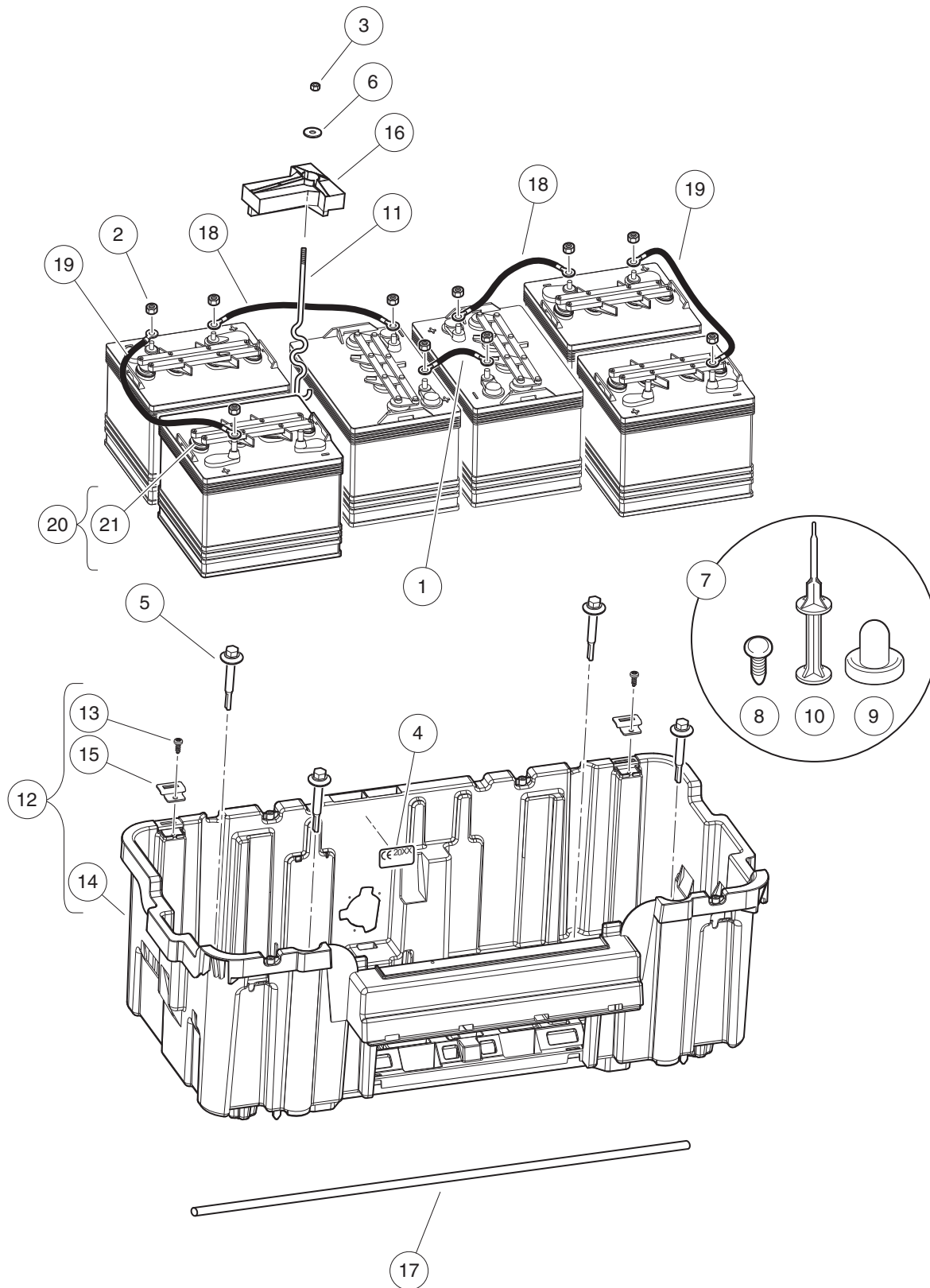


## BATTERIES AND BATTERY BUCKET, PD+ 8-VOLT

ITEM	PART NO.	DESCRIPTION	QTY
		1 2 3 4	
1	1010958	Asm, Wire, #6blk 8in .....	1
2	1014304	Nut, 5/16-18 Stainless-Steel Hex .....	12
3	1014555	Locknut, 7/16-14 Nylon Hex .....	2
4	102292356	Screw-1/4-20x56 Hwh Self Drill .....	4
5	102491501	Washer, Hard, M10 .....	2
6	103357701	Bolt, Battery, "s" Hold-down .....	2
7	103368401	Asm, Bucket, Batt, Elec, Prec (includes items 8 through 10) .....	1
8	102298020	Screw, K80x20, Torx Pn Hd Pt .....	2
9	N/A	Bucket, Batt, Elec, Precedent .....	1
10	103368301	Hinge - Nested .....	2
11	103374801	Hold Down, Battery .....	2
12	103375301	Tube, Cross, Battery Rod .....	1
13	103647402	Wire Asm #6 Blk, 12" .....	2
14	103647403	Wire Asm #6 Blk, 17" .....	2
15	105138301	Battery, 8-Volt, JCI GC8 Type E (includes item 16) .....	6
16	103765601	Cap, Spin, 8-Volt Battery .....	1

19

E



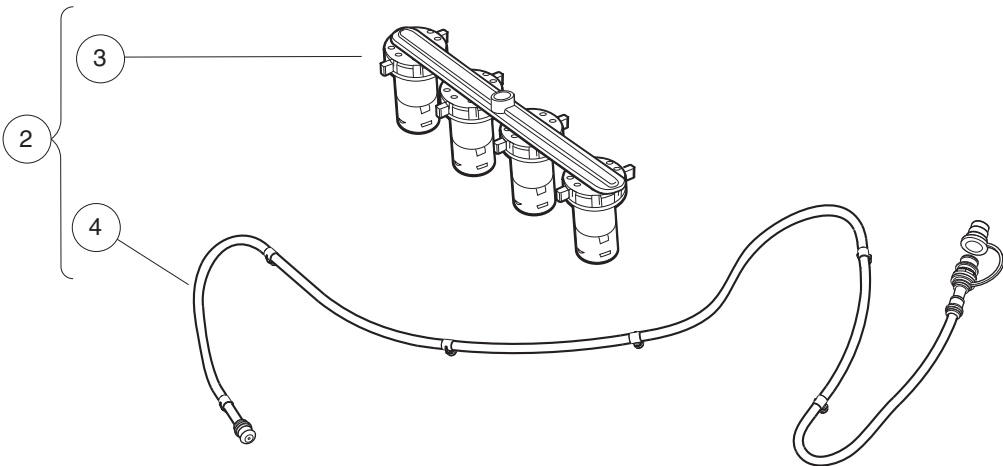
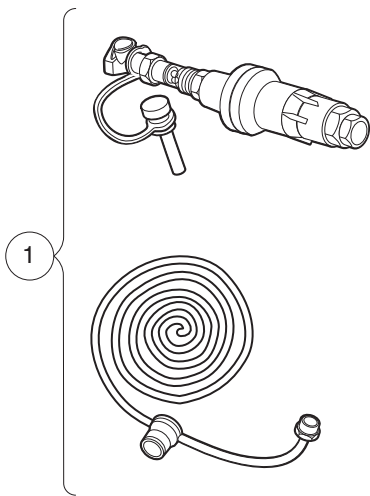
000682-002

## BATTERIES AND BATTERY BUCKET, PD+ 8-VOLT, CE

ITEM	PART NO.	DESCRIPTION	QTY
		1 2 3 4	
1	1010958	Asm, Wire, #6blk 8in .....	1
2	1014304	Nut, 5/16-18 Stainless-Steel Hex .....	12
3	1014555	Locknut, 7/16-14 Nylon Hex .....	2
4	101865805	Ce - Decal .....	1
5	102292356	Screw-1/4-20x56 Hwh Self Drill .....	4
6	102491501	Washer, Hard, M10 .....	2
7	102571202	Kit Ce Plug - Bucket Elec (includes items 8 through 10) .....	1
8	1010434	Barrel - Plastic .....	2
9	N/A	Plug, 1/2", CE Bucket .....	6
10	N/A	Install Tool, CE Bucket Plug .....	1
11	103357701	Bolt, Battery, "s" Hold-down .....	2
12	103368401	Asm, Bucket, Batt, Elec, Prec (includes items 13 through 15) .....	1
13	102298020	Screw, K80x20, Torx Pn Hd Pt .....	2
14	N/A	Bucket, Batt, Elec, Precedent .....	1
15	103368301	Hinge - Nested .....	2
16	103374801	Hold Down, Battery .....	2
17	103375301	Tube, Cross, Battery Rod .....	1
18	103647402	Wire Asm #6 Blk, 12" .....	2
19	103647403	Wire Asm #6 Blk, 17" .....	2
20	105138301	Battery, 8-Volt, JCI GC8 Type E (includes item 21) .....	6
21	103765601	Cap, Spin, 8-Volt Battery .....	1
		Note: The CE-specific parts shown are required for vehicles sold in the European Union.	

19

E



000731-009

# SINGLE POINT WATERING SYSTEM, 8V

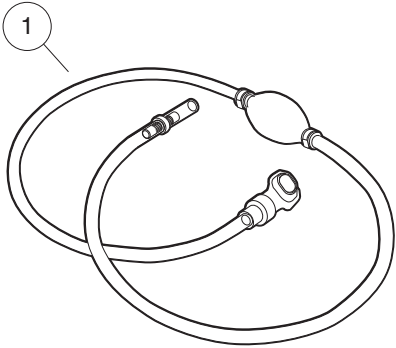
ITEM	PART NO.	DESCRIPTION	QTY
		1 2 3 4	
1	102958001	Kit Regulated Hose Sply Spws .....	1
2	103395505	Kit, Spws, Prec, 8 Volt Non-Trojan (includes items 3 and 4) .....	1
3	103510602	Spws, Manifold Asm, 8v Non-Trojan .....	6
4	103774701	Spws, Hose 8v Non-trojan .....	1
		Note: For JCI 8-Volt batteries only.	

19

E

**19**

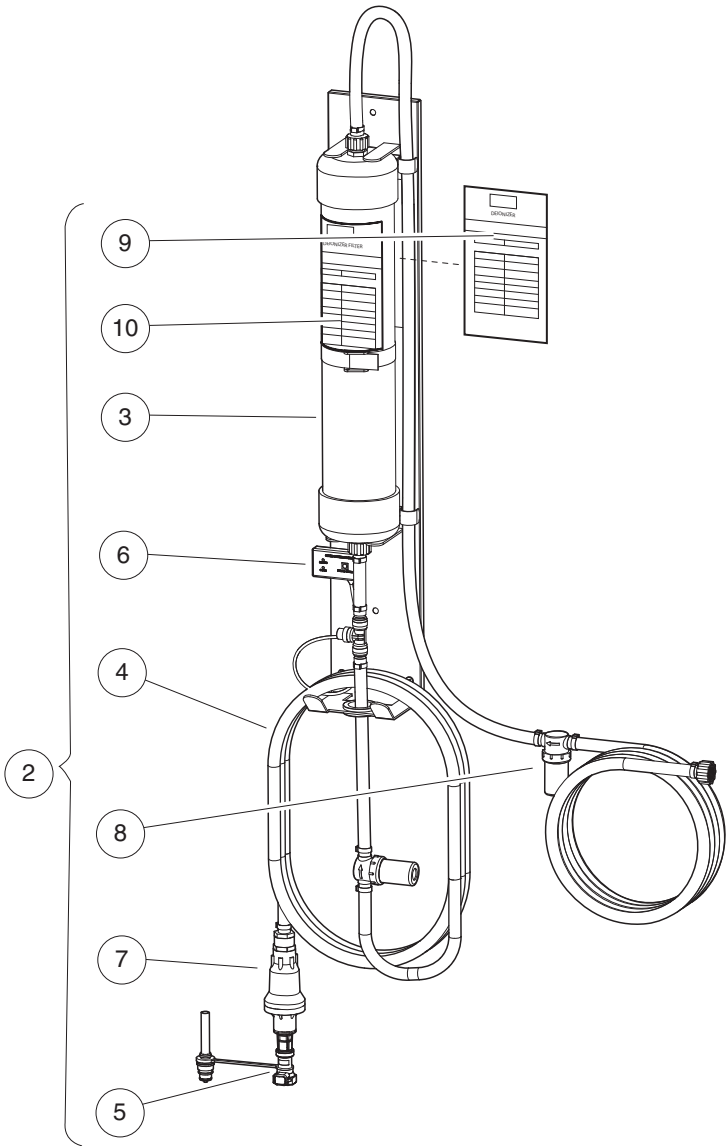
**E**



11



12



002523-003

# HAND PUMP AND DEIONIZER (BATTERY-POWERED QUALITY LIGHT)

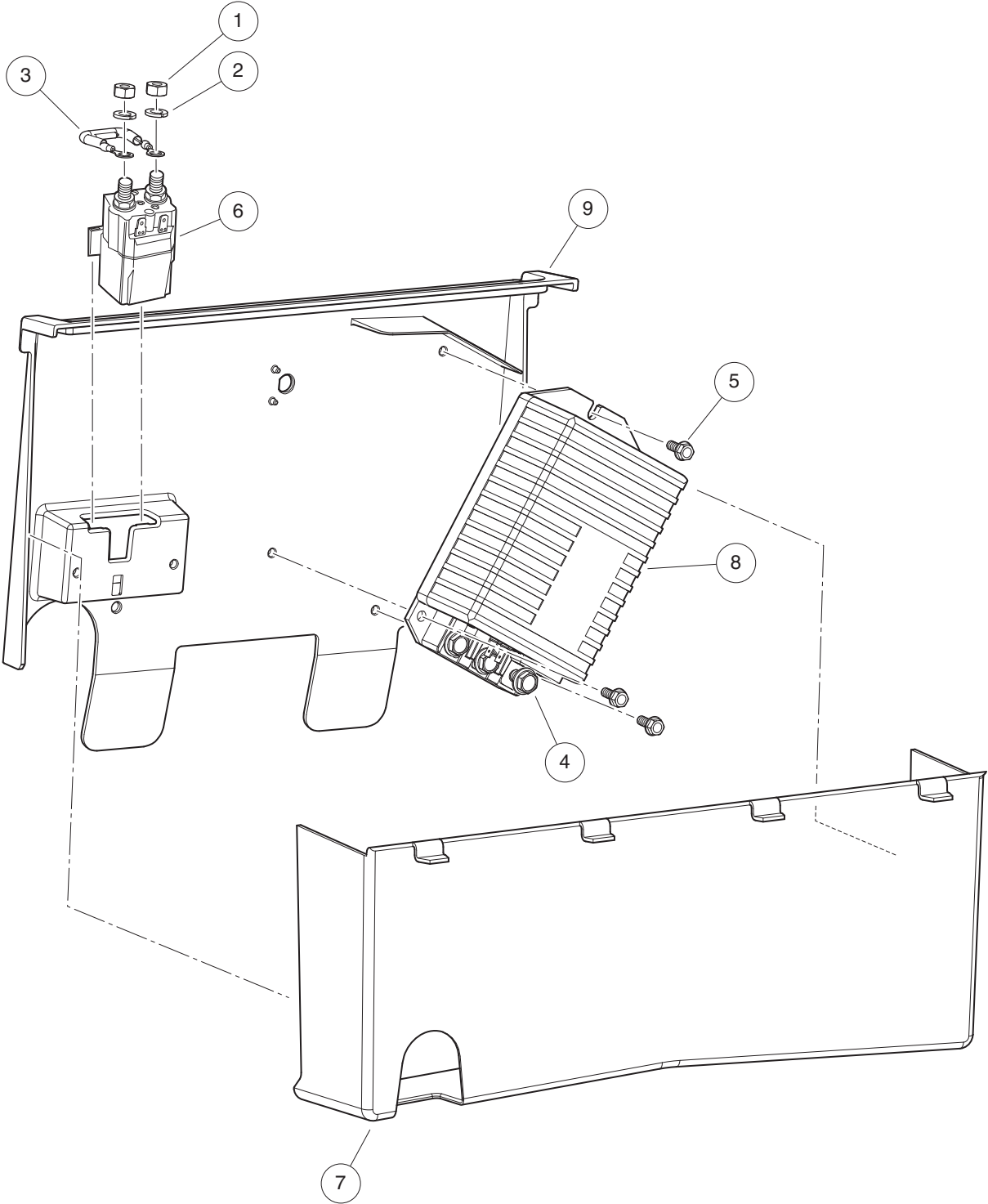
ITEM	PART NO.	DESCRIPTION	QTY
		<b>1 2 3 4</b>	
1	104006101	Kit, Hand Pump, Spws .....	1
2	105166801	Deionizer, w/Battery-Powered Water Quality Light (includes items 3 through 10) .....	1
3	104005901	Cartridge, Deionizer .....	1
4	105166901	Hose,outlet,deionizer .....	1
5	105167001	Flow Ind, W/coupler, Deionizer .....	1
6	105167101	Light, Quality, Battery-Powered, w/T-Fitting .....	1
7	105168501	Regulator, Pressure, Deionizer .....	1
8	105168601	Strainer, In-line, Deionizer .....	1
9	AM1300001	Decal, Filter Log, Blue .....	1
10	AM1300201	Decal, Inspect Log, Yellow .....	1
11	AM1300101	Decal, Filter Log, Blue, Pack of 100 .....	A/R
12	AM1300301	Decal, Inspect Log, Yellow, Pack of 100 .....	A/R

19

E

19

E



000486-013



# CONTROLLER AND SOLENOID

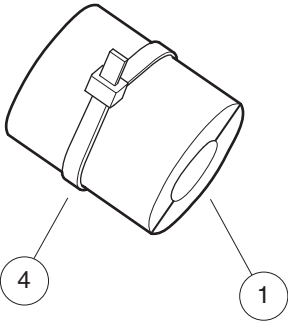
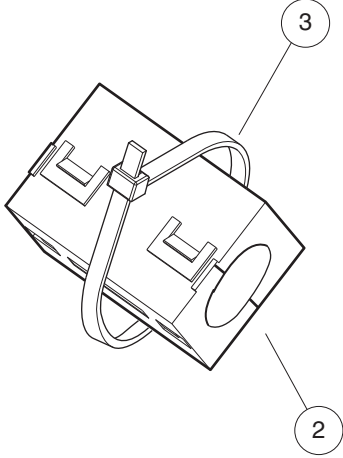
ITEM	PART NO.	DESCRIPTION	QTY
		1 2 3 4	
1	1012528	Nut, M8-1.25 Hex .....	2
2	1013734	Lockwasher, 8mm Split .....	2
3	1014947	Resistor Assembly .....	1
4	102240501	Bolt, Controller, Terminal .....	3
5	102296716	Screw, M6 X 16 Tt Hx Fl Hd .....	3
6	102865901	Solenoid 48v Slot Mt No Diode .....	1
7	103367901	Shield - Controller .....	1
8	103982301	Controller, 1515, 250A, White .....	1
9	105005001	Component Mounting Plate .....	1
Note: Replacement solenoid may vary in appearance from the original.			

19

E

19

E



001055-001

# FERRITE BEADS, CE

ITEM	PART NO.	DESCRIPTION	QTY
		<b>1 2 3 4</b>	
1	103449501	Bead, Ferrite, Tdk .....	A/R
2	103449601	Bead, Ferrite, Fair-rite .....	A/R
3	8639	Tie Wrap, 11" Nylon .....	A/R
4	8990	Tie Wrap, 8" Nylon .....	A/R

**19**

**E**

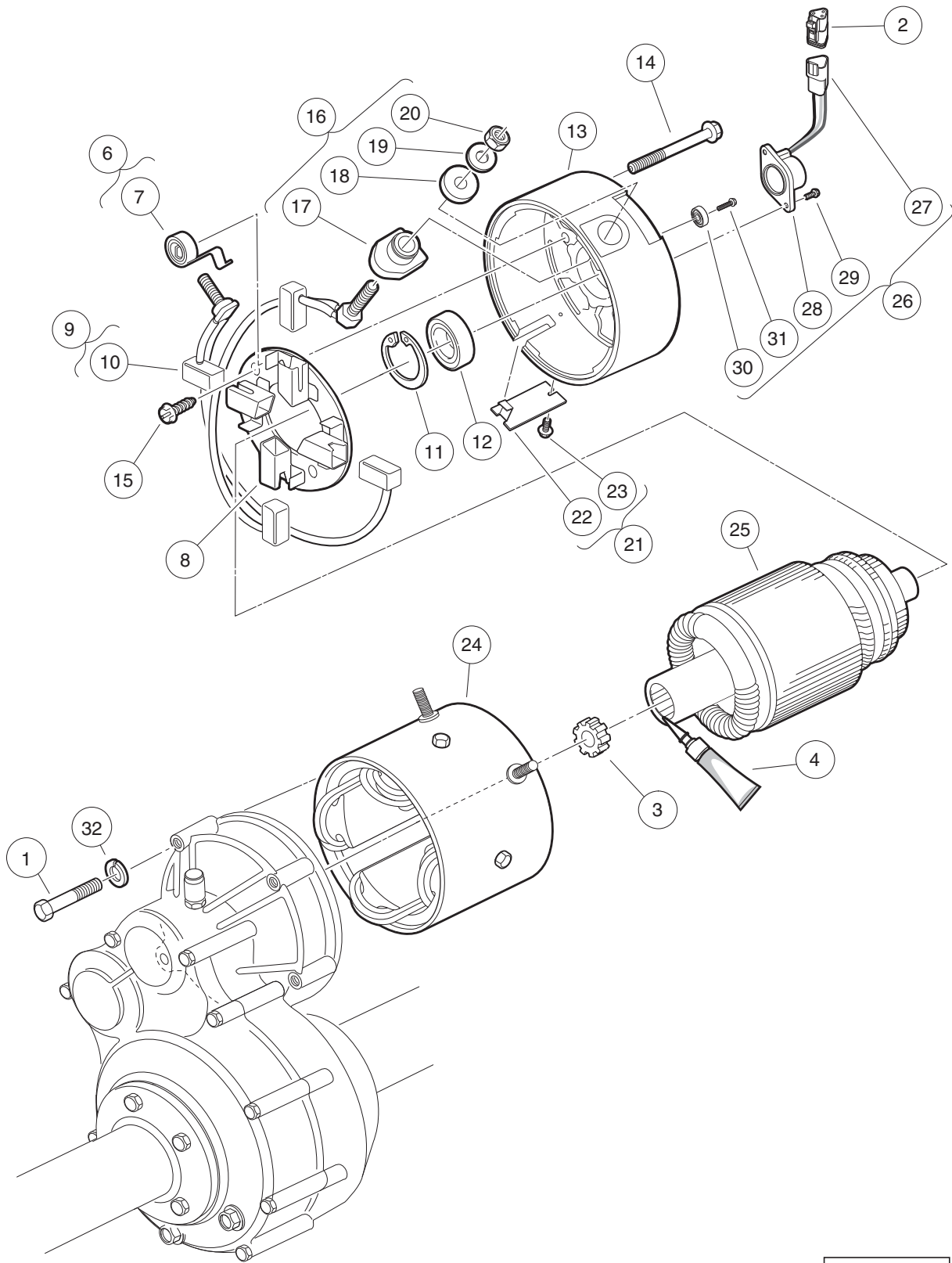


# ELECTRIC MOTOR

---

20

*E*



000185-002

## MOTOR (MODEL EJ8-4001A) – ELECTRIC VEHICLE

ITEM	PART NO.	DESCRIPTION	QTY
		<b>1 2 3 4</b>	
1	1014201	Screw, 1/4-20 X 2.25 Hex Cap .....	3
2	101920101	Kit, 3-Pin Wedge Lock .....	1
3	102235201	Bumper, Drive Unit .....	1
4	102243403	Lubricant, Moly-Teflon (Single-Use Tube) .....	1
5	103572501	IQ Electric Motor, 48-VDC 3.3 hp (includes items 6 through 26) .....	1
6	102186001	Spring Kit, Motor Brush (includes item 7) .....	1
7	N/A	Spring, Brush, S-g .....	4
8	102186101	Brush Box Assembly .....	1
9	102186201	Brush Kit, Motor (includes item 10) .....	1
10	N/A	Assembly, Brush and Terminal .....	2
11	N/A	Ring, 2.24" Internal Retaining .....	1
12	102186401	Bearing, Ball .....	1
13	102186701	End Cap, Motor .....	1
14	N/A	Screw, 1/4-20 X 2.25 Hex-Head Washer .....	2
15	102186901	Screw, #8-32 X .5 Hex-Head .....	2
16	102187101	Hardware Kit, Motor Terminal (includes items 17 through 20) .....	2
17	N/A	Bushing, Nylon .....	2
18	N/A	Washer, Nylon Flat .....	2
19	N/A	Washer, Flat, 5/16 Steel .....	2
20	N/A	Nut, Brass Hex, 5/16 - 18 .....	2
21	102187201	Plate Kit, Motor Cover (includes items 22 and 23) .....	1
22	N/A	Assembly, Cover Plate .....	1
23	N/A	Screw, #8-32 x 0.375, Taptite Thread .....	1
24	102704701	Frame and Field Assembly .....	1
25	102704801	Armature Assembly .....	1
26	102704901	Kit, Speed Sensor (includes items 27 through 31) .....	1
27	101942301	Kit, 3-Pin Wedge Lock .....	1
28	N/A	Sensor, Motor Speed, ADC .....	1
29	N/A	Screw, #8-32, Taptite Thread .....	2
30	N/A	Magnet, ADC Motor .....	1
31	N/A	Screw, 1/4-20 x 0.5 .....	1
32	451	Lockwasher, 1/4 Split .....	3
		Note: The F1 and F2 terminal posts on the EJ8-4001A motor have 1/4 - 20 thread.	

20

E

**20**

***E***

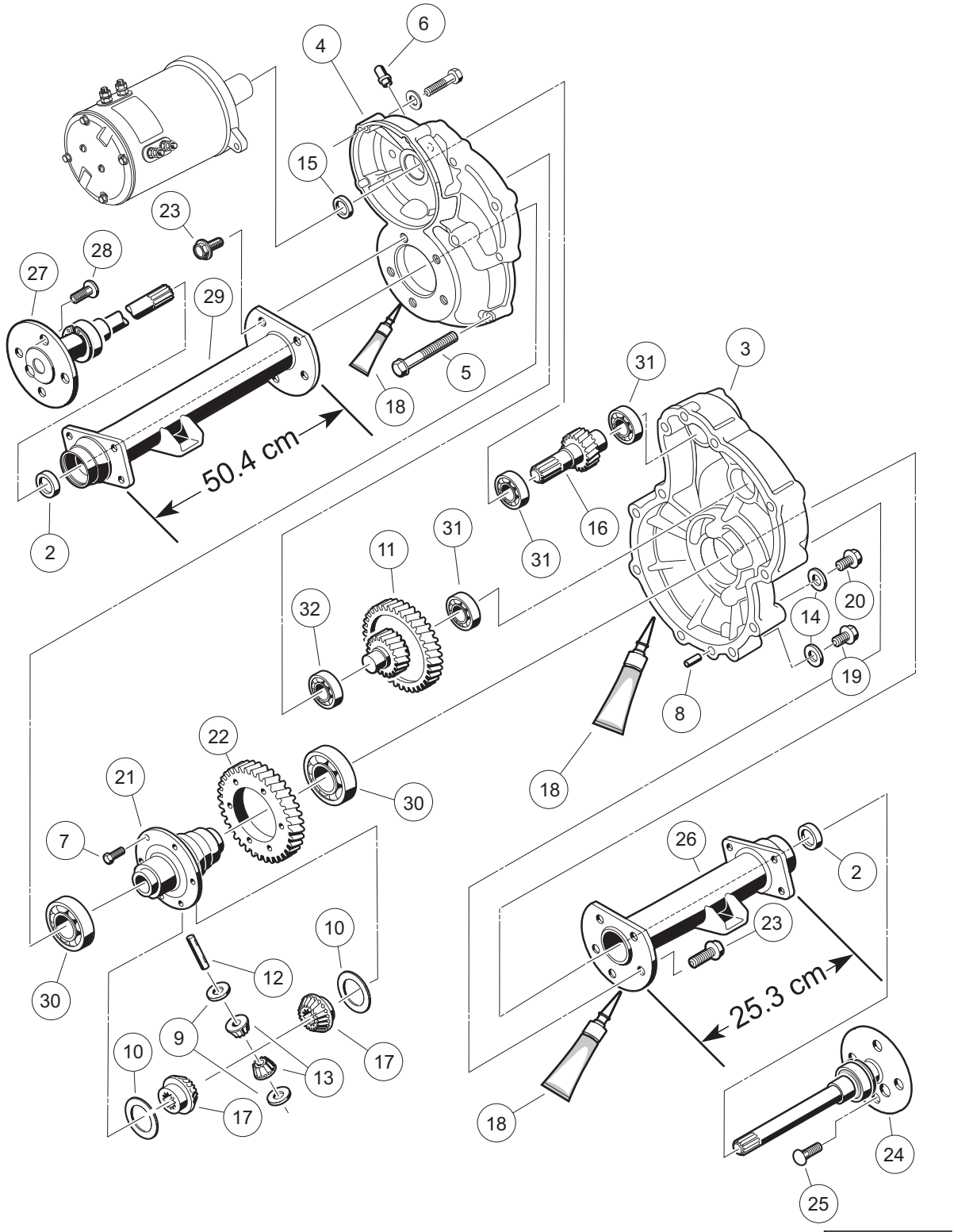


# TRANSAXLE – ELECTRIC VEHICLES

---

21

*E*



000223-002

# TRANSAXLE – ELECTRIC VEHICLES

ITEM	PART NO.	DESCRIPTION	QTY
		<b>1 2 3 4</b>	
1	102771701	Transaxle, Electric (includes items 2 through 32) .....	1
2	1013794	Axle Shaft Oil Seal .....	2
3	101895401	Gear Case, Driver-Side .....	1
4	101895501	Gear Case, Passenger-Side .....	1
5	101897001	Screw, M8-1.25 X 60mm Hex-Head .....	11
6	101897201	Breather .....	1
7	101897401	Screw, M10-1.25 X 25mm .....	6
8	101897601	Pin, 11mm OD X 8.5mm ID X 10mm .....	2
9	101903601	Washer, Thrust .....	2
10	101903701	Washer, Thrust .....	2
11	101906901	Intermediate Shaft Assembly .....	1
12	101922101	Pin, 15.99mm X 88.7mm Dowel .....	1
13	101923001	Gear, Differential Idler .....	2
14	101923201	Gasket .....	2
15	101923501	Seal, Lip .....	1
16	N/A	Shaft, Input .....	1
17	101923901	Gear, Differential .....	2
18	101928701	Liquid Gasket (Transaxle case) .....	1
19	101972101	Plug, M14-1.5 X 12mm Magnetic .....	1
20	101972201	Plug, M14-1.5 X 12mm Hex .....	1
21	102356601	Housing, Differential, 6 Bolt .....	1
22	102356801	Gear, Differential Output, 6-Bolt .....	1
23	102357001	Screw, Flg Hd M10 X 1.5 X 30 .....	10
24	102886301	Axle Assembly, Driver-Side (includes item 25) .....	1
25	101922201	Lug Stud .....	4
26	102886401	Tube, Axle, Driver-Side .....	1
27	102886501	Axle Assembly, Passenger-Side (includes item 28) .....	1
28	101922201	Lug Stud .....	4
29	102886601	Tube, Axle, Passenger-Side .....	1
30	7330	Inner Axle Tube Bearing .....	2
31	7335	Bearing .....	3
32	7336	Bearing .....	1

**21**

**E**

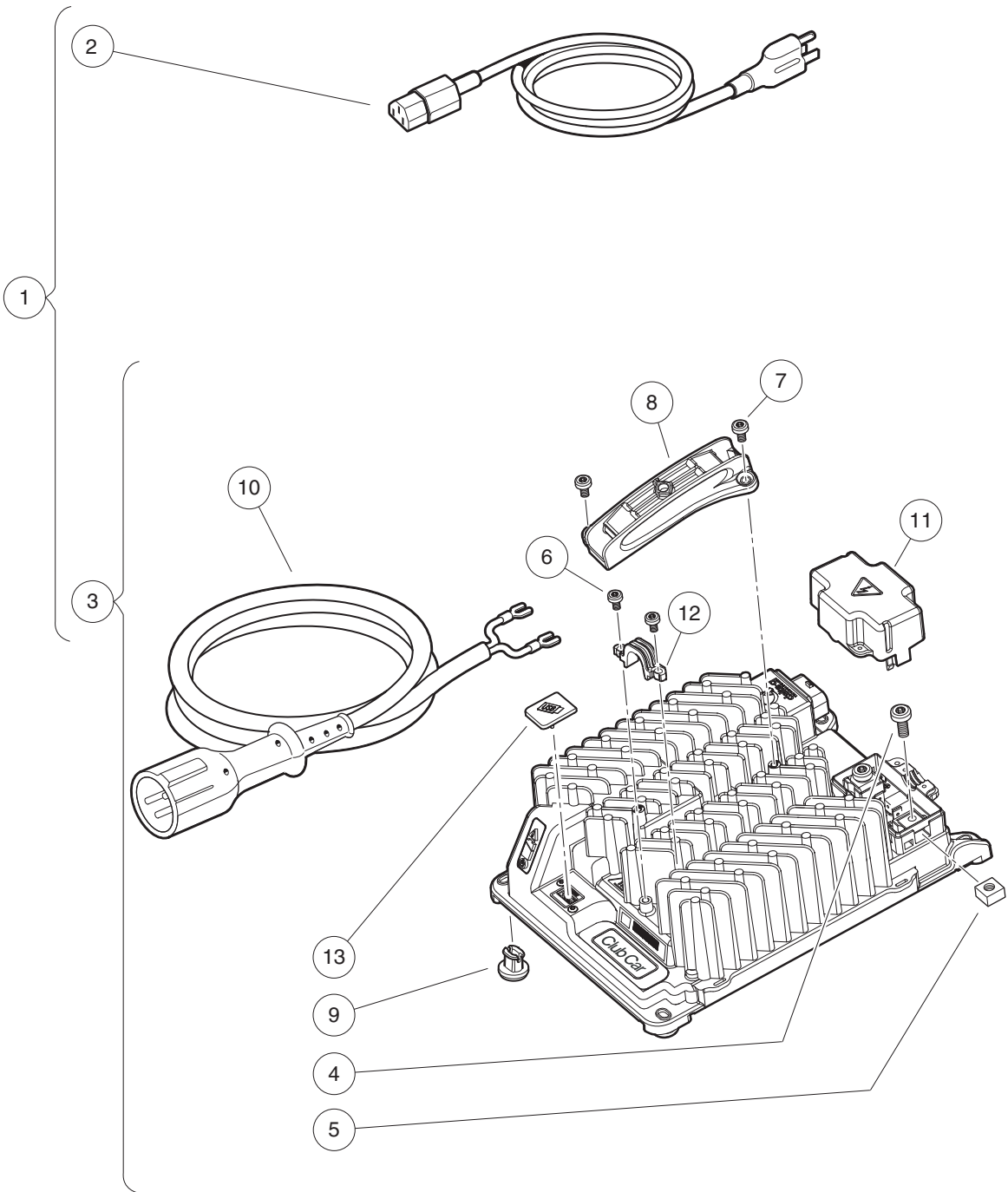


# BATTERY CHARGERS – HIGH-FREQUENCY

---

22

*E*



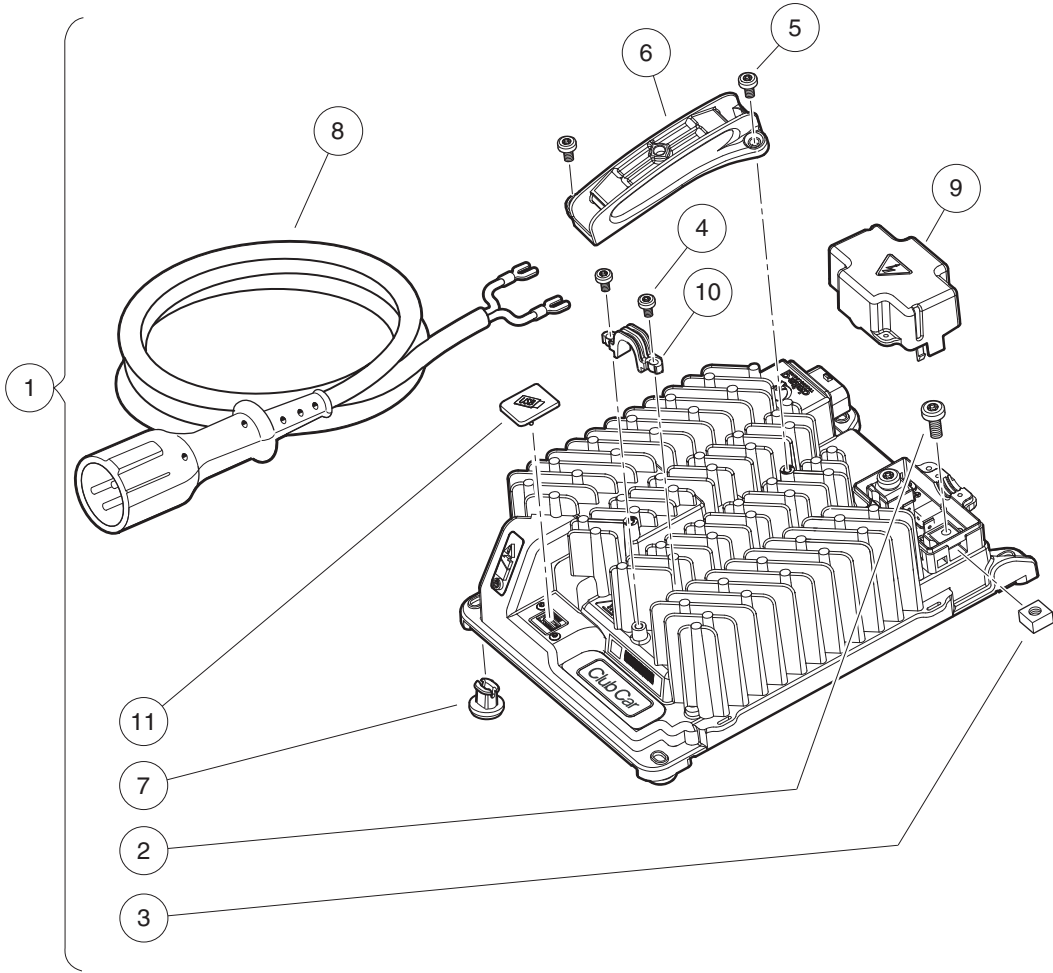
000610-002

## BATTERY CHARGER, HIGH-FREQUENCY – U.S./CANADA

ITEM	PART NO.	DESCRIPTION	QTY
		<b>1 2 3 4</b>	
1	105095201	Charger, High-Freq, Service, 9ft Yel DC, 6ft AC, US/Canada (includes items 2 and 3) .....	1
2	104024201	Cord, AC, Nema To Iec320, 6ft (1.83 m), U.S./Canada .....	1
3	104029601	Charger, Asm, High-Freq, 9ft (2.74 m) Yellow DC Cord (includes items 4 through 13)	1
4	104024501	Screw, M6, Torx Head .....	2
5	104024601	Nut, M6, Square, Captured .....	2
6	104028901	Screw, M4 X .70, Pan Hd, Torx .....	2
7	104029001	Screw, M5 X .80, Pan Hd, Torx .....	2
8	105003601	Handle, Charger, High-Freq .....	1
9	105003701	Foot, Charger, High-Freq .....	4
10	105070101	Cord, DC, Yellow, 9ft (2.74 m) .....	1
11	105092301	Cover, DC Terminal Block, High-Freq Charger .....	1
12	105093101	Strain Relief, High-Freq, External, Charger .....	1
13	105123801	Cover, USB .....	1
<p>Note: This charger includes both an AC cord and DC cord. For additional cord lengths that may be used with this charger, see the Battery Charger Cords page.</p>			

22

E



000610-003

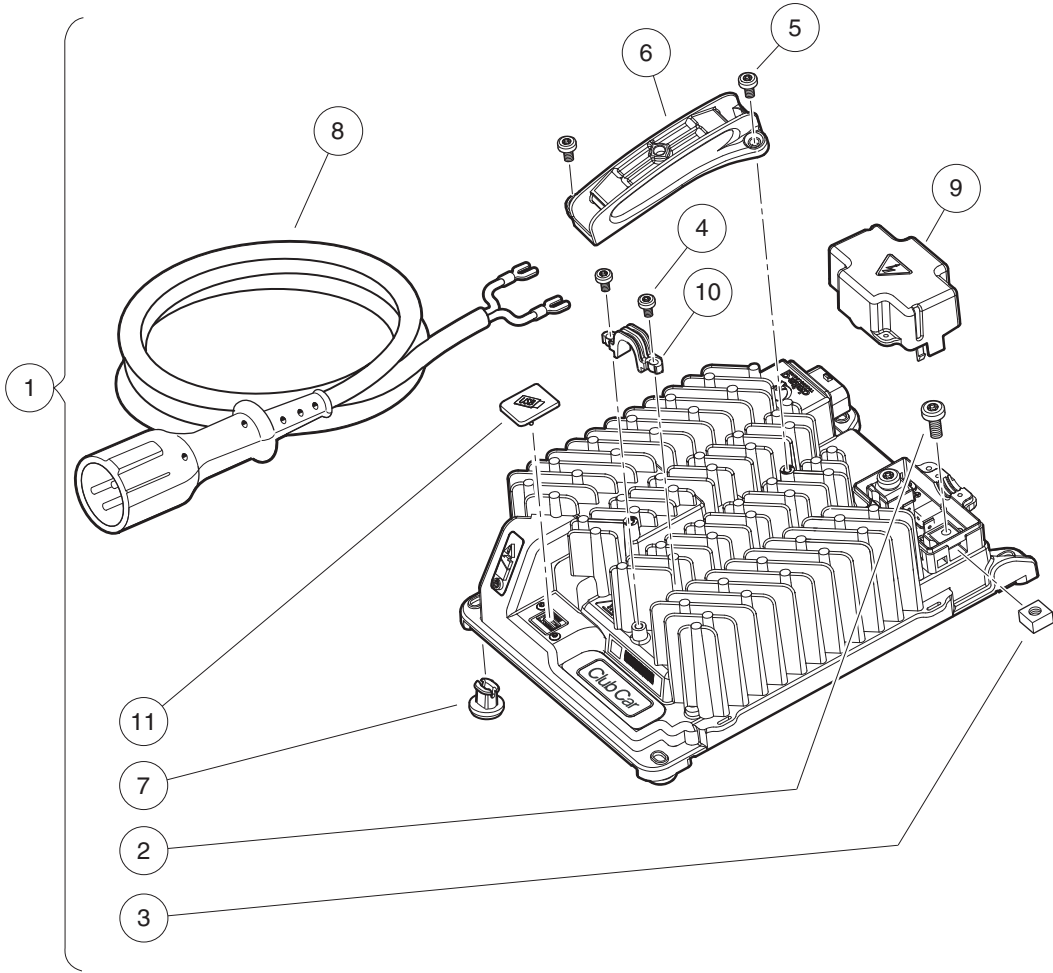


# BATTERY CHARGER, HIGH-FREQ., 2.74 M DC CORD – GLOBAL

ITEM	PART NO.	DESCRIPTION	QTY
		<b>1 2 3 4</b>	
1	104029601	Charger, Asm, High-Freq, 9ft (2.74 m) Yellow DC Cord (includes items 2 through 11) .....	1
2	104024501	Screw, M6, Torx Head .....	2
3	104024601	Nut, M6, Square, Captured .....	2
4	104028901	Screw, M4 X .70, Pan Hd, Torx .....	2
5	104029001	Screw, M5 X .80, Pan Hd, Torx .....	2
6	105003601	Handle, Charger, High-Freq .....	1
7	105003701	Foot, Charger, High-Freq .....	4
8	105070101	Cord, DC, Yellow, 9ft (2.74 m) .....	1
9	105092301	Cover, DC Terminal Block, High-Freq Charger .....	1
10	105093101	Strain Relief, High-Freq, External, Charger .....	1
11	105123801	Cover, USB .....	1
		 Note: This charger does not include the AC cord. To complete the charger, choose the appropriate type and length of AC cord found on the Battery Charger Cords page.	

**22**

**E**



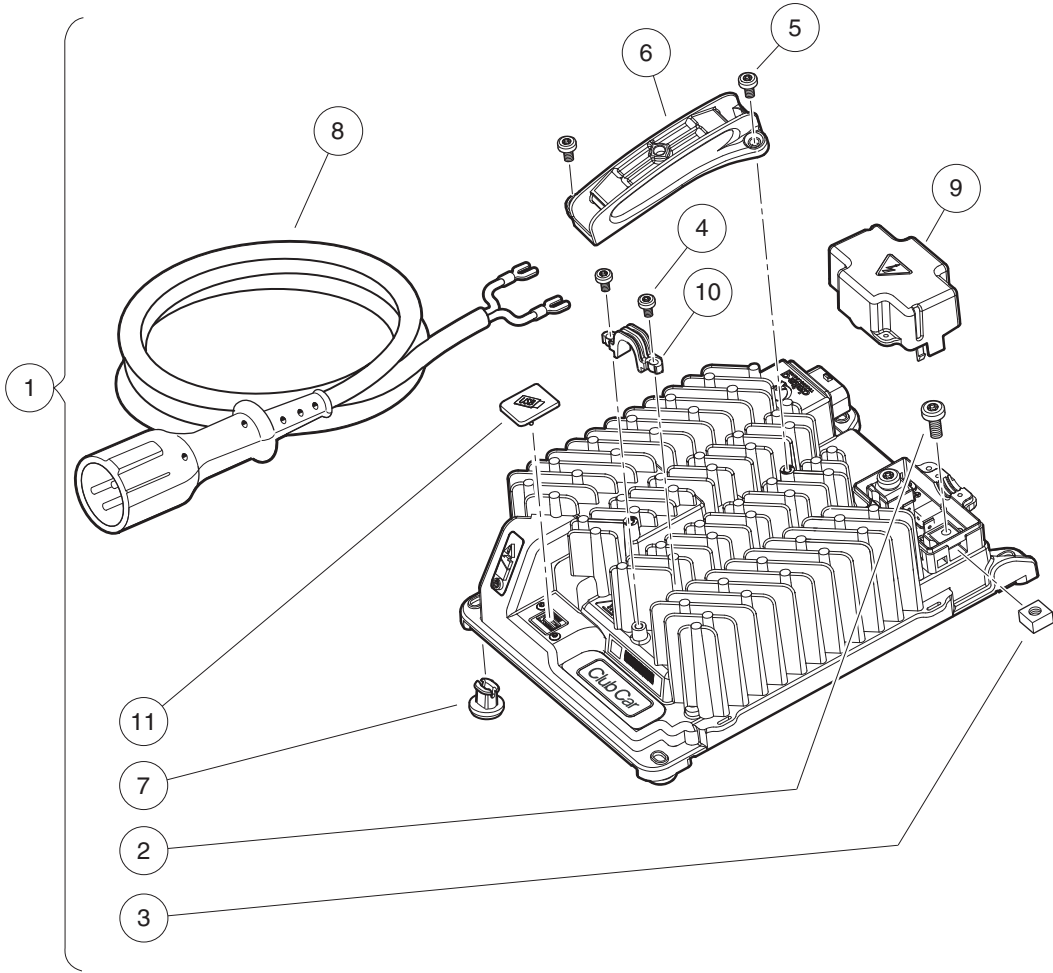
000610-003

# BATTERY CHARGER, HIGH-FREQ., 3.66 M DC CORD – GLOBAL

ITEM	PART NO.	DESCRIPTION	QTY
		<b>1 2 3 4</b>	
1	104029602	Charger, Asm, High-Freq, 12ft (3.66 m) Yellow DC Cord (includes items 2 through 11) ..	1
2	104024501	Screw, M6, Torx Head .....	2
3	104024601	Nut, M6, Square, Captured .....	2
4	104028901	Screw, M4 X .70, Pan Hd, Torx .....	2
5	104029001	Screw, M5 X .80, Pan Hd, Torx .....	2
6	105003601	Handle, Charger, High-Freq .....	1
7	105003701	Foot, Charger, High-Freq .....	4
8	105070102	Cord, DC, Yellow, 12ft (3.66 m) .....	1
9	105092301	Cover, DC Terminal Block, High-Freq Charger .....	1
10	105093101	Strain Relief, High-Freq, External, Charger .....	1
11	105123801	Cover, USB .....	1
<p>Note: This charger does not include the AC cord. To complete the charger, choose the appropriate type and length of AC cord found on the Battery Charger Cords page.</p>			

**22**

**E**



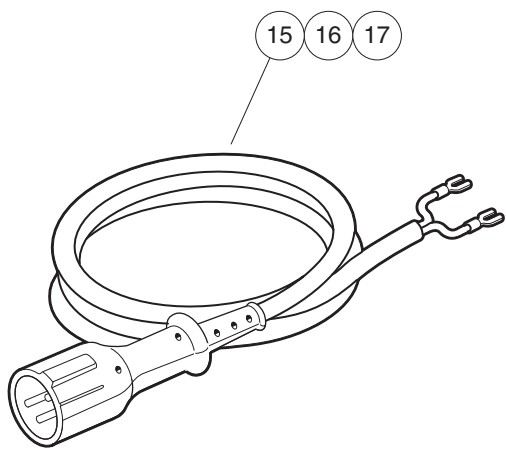
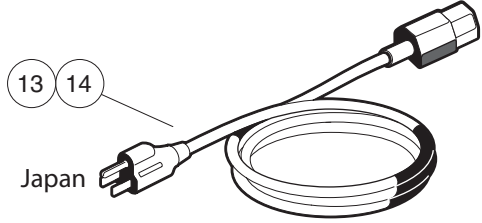
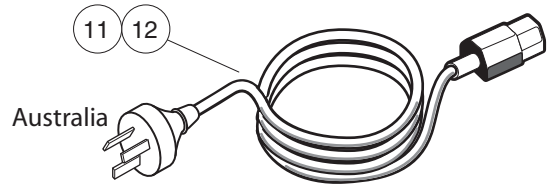
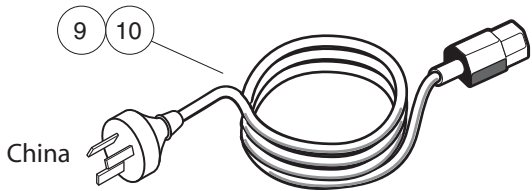
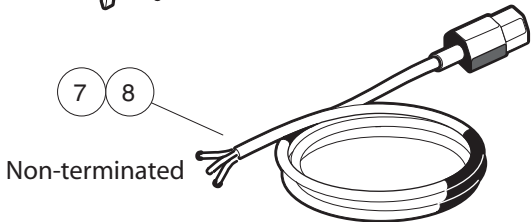
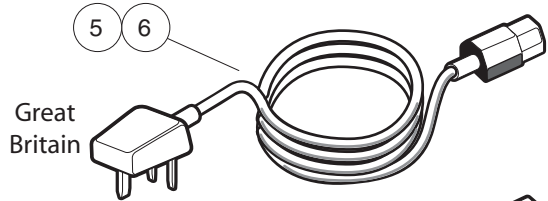
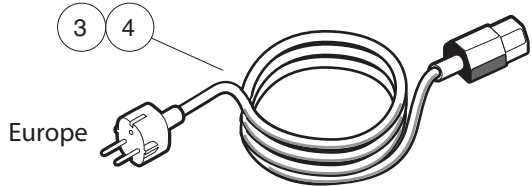
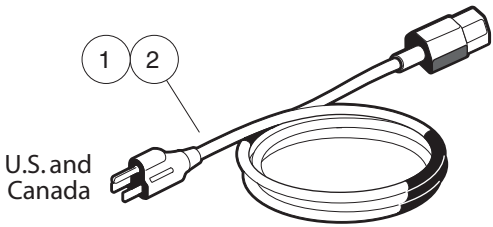
000610-003

# BATTERY CHARGER, HIGH-FREQ., 6.1 M DC CORD – GLOBAL

ITEM	PART NO.	DESCRIPTION	QTY
		<b>1 2 3 4</b>	
1	104029603	Charger, Asm, High-Freq, 20ft (6.1 m) Yellow DC Cord (includes items 2 through 11) .....	1
2	104024501	Screw, M6, Torx Head .....	2
3	104024601	Nut, M6, Square, Captured .....	2
4	104028901	Screw, M4 X .70, Pan Hd, Torx .....	2
5	104029001	Screw, M5 X .80, Pan Hd, Torx .....	2
6	105003601	Handle, Charger, High-Freq .....	1
7	105003701	Foot, Charger, High-Freq .....	4
8	105070103	Cord, DC, Yellow, 20ft (6.1 m) .....	1
9	105092301	Cover, DC Terminal Block, High-Freq Charger .....	1
10	105093101	Strain Relief, High-Freq, External, Charger .....	1
11	105123801	Cover, USB .....	1
		 Note: This charger does not include the AC cord. To complete the charger, choose the appropriate type and length of AC cord found on the Battery Charger Cords page.	

**22**

**E**



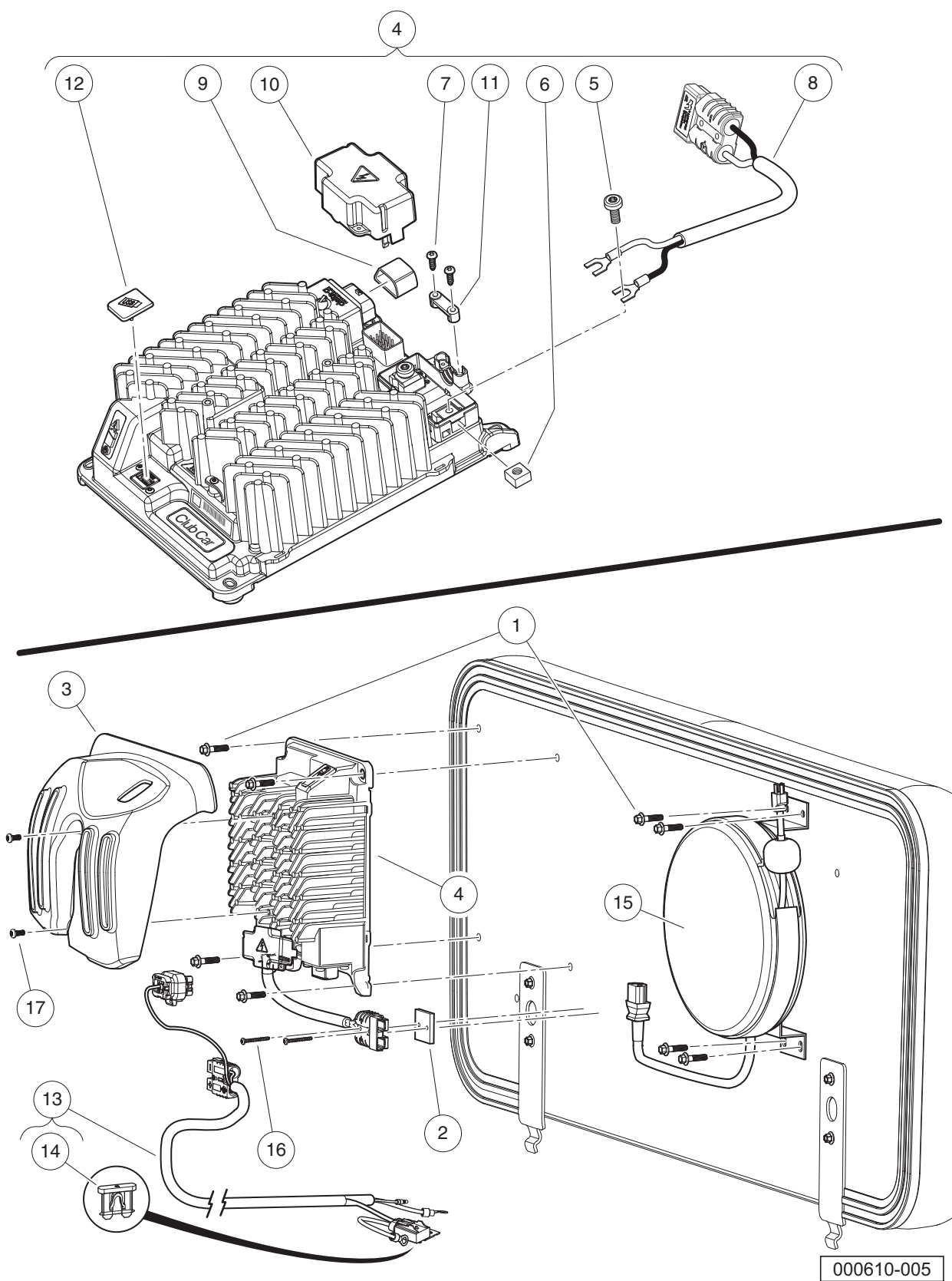
000610-004

## CORDS – BATTERY CHARGER, HIGH-FREQUENCY

ITEM	PART NO.	DESCRIPTION	QTY
		1 2 3 4	
1	104024201	Cord, AC, Nema To lec320, 6ft (1.83 m), U.S./Canada .....	A/R
2	104024202	Cord, AC, Nema To lec320, 9ft (2.74 m), U.S./Canada .....	A/R
3	104024401	Cord, AC, lec320, 6ft (1.83 m), Europe .....	A/R
4	104024402	Cord, AC, lec320, 9ft (2.74 m), Europe .....	A/R
5	104028501	Cord, AC, lec320, 6ft (1.83 m), Great Britain .....	A/R
6	104028502	Cord, AC, lec320, 9ft (2.74 m), Great Britain .....	A/R
7	104028601	Cord, AC, lec320, 6ft (1.83 m), Non-terminated .....	A/R
8	104028602	Cord, AC, lec320, 9ft (2.74 m), Non-terminated .....	A/R
9	105068201	Cord, AC, lec320, 6ft (1.83 m), China .....	A/R
10	105068202	Cord, AC, lec320, 9ft (2.74 m), China .....	A/R
11	105068301	Cord, AC, lec320, 6ft (1.83 m), Australia .....	A/R
12	105068302	Cord, AC, lec320, 9ft (2.74 m), Australia .....	A/R
13	105068401	Cord, AC, lec320, 6ft (1.83 m), Japan .....	A/R
14	105068402	Cord, AC, lec320, 9ft (2.74 m), Japan .....	A/R
15	105070101	Cord, DC, Yellow, 9ft (2.74 m) .....	A/R
16	105070102	Cord, DC, Yellow, 12ft (3.66 m) .....	A/R
17	105070103	Cord, DC, Yellow, 20ft (6.1 m) .....	A/R

22

E





## BATTERY CHARGER, HIGH-FREQUENCY – ONBOARD

ITEM	PART NO.	DESCRIPTION	QTY
		1 2 3 4	
1	102541425	Bolt, M6x1.0x25, Hex Flhd, Blk-l .....	8
2	105082601	Insulation, Thermal .....	1
3	105082801	Shield, Charger, High-Freq .....	1
4	105083001	Charger, Asm, High-Freq, Onboard (includes items 5 through 12) .....	1
5	104024501	Screw, M6, Torx Head .....	2
6	104024601	Nut, M6, Square, Captured .....	2
7	104029301	Screw, M3x1.5, Plastic Tapping .....	2
8	105084401	Cord, DC, Onboard .....	1
9	105086801	Sleeve, lec 320 C14 .....	1
10	105092301	Cover, DC Terminal Block, High-Freq Charger .....	1
11	105094101	Strain Relief, DC Block, High-Freq, Onboard, Charger .....	1
12	105123801	Cover, USB .....	1
13	105084301	Harness, Wire, High-Freq Onboard Charger, 4-Pass, Prec (includes item 14) .....	1
14	102492301	Fuse, 30-Amp .....	1
15	105084501	Cord Reel, AC, Retractable, High-Freq Charger, Onboard .....	1
16	105086901	Screw, #6-20 Type Abx1.25 Pan .....	2
17	105101001	Screw, M5-0.8x10, Torx, Trs .....	2
Note: Used on 4-passenger vehicle with rear-facing back seat.			

22

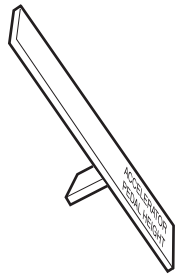
E



# MAINTENANCE AND SERVICE TOOLS

---

23  
G  
E



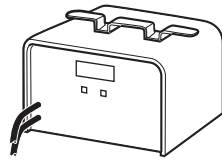
1



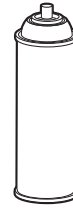
2



3



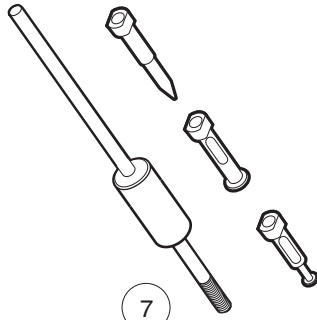
4



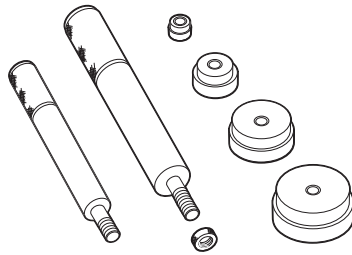
5



6



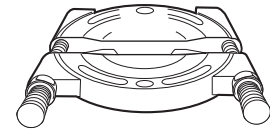
7



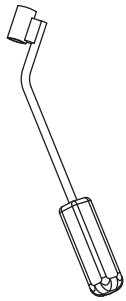
8



9



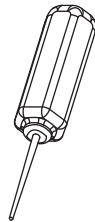
10



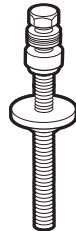
11



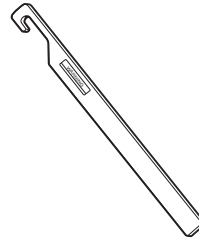
12



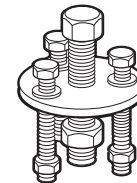
13



14



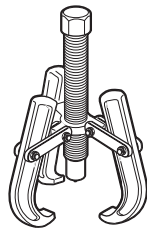
15



16



17



18



19



20

001060-001

# MAINTENANCE AND SERVICE TOOLS

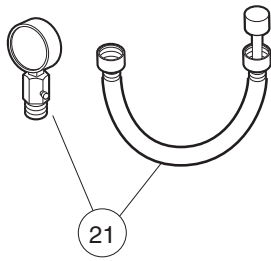
ITEM	PART NO.	DESCRIPTION	QTY GAS	QTY ELEC
		<p><b>1 2 3 4</b></p> <p>The following tool list includes all tools available from Club Car for maintenance and service procedures for gasoline and electric golf and utility vehicles. Be sure to carefully examine the tool list for applicability to your vehicle before ordering.</p>		
1	101871001	Accelerator Pedal Adjustment Tool (Utility Vehicles).....	1	1
2	101813202	Adhesive, Guide Ring, 3-Gram Tube .....		1
3	101641202	Arbor .....	1	
4	101831901	Battery Discharge Machine, 36/48 Volt .....		1
5	1014305	Battery Terminal Protector Spray .....	1	1
6	1011767	Battery Thermometer .....	1	1
7	1016417	Bearing and Oil Seal Remover Assembly .....	1	1
8	1016416	Bearing Driver Set .....	1	1
9	1012811	Bearing Puller .....	1	1
10	1012812	Bearing Puller Wedge Attachment .....	1	1
11	102555501	Brake Cable Release Tool .....	1	1
12	101887101	Calibration Test Module .....		1
13	102562401	Charger Bezel Tool .....		1
		Clutch Tools (items 14 - 20) .....	1	
14	101808401	Clutch Cam Installation Tool (for Subaru and Kawasaki engines) .....	1	
15	105072501	Drive Clutch Holder Tool Assembly (for Subaru and Kawasaki engines) .....	1	
16	1014497	Drive Clutch Hub Puller (for Subaru and Kawasaki engines) .....	1	
17	1014496	Drive Clutch Puller (for Subaru and Kawasaki engines) .....	1	
18	1014508	Driven Clutch Cam Puller (for Subaru and Kawasaki engines) .....	1	
19	1014507	Driven Clutch Puller Plug (for Subaru and Kawasaki engines) .....	1	
20	101809101	Press Weldment (for Subaru and Kawasaki engines) .....	1	
		<p>Please refer to the maintenance and service manual for proper tool application.</p>		

23

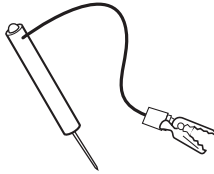
G

E

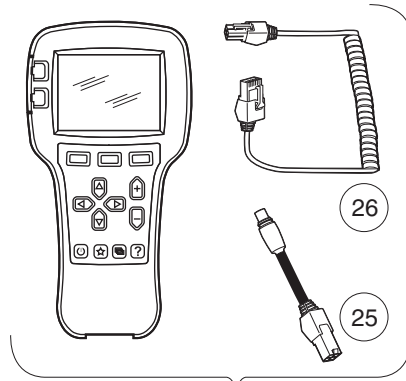
**23**  
**G**  
**E**



21



22



23

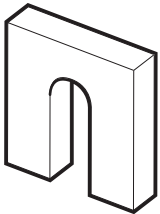
24

26

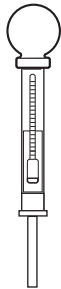
25



27



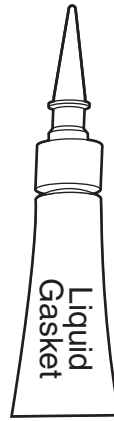
28



29



30



31



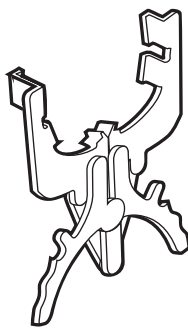
32



33



34



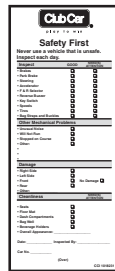
35



36



37



38



39

001061-001

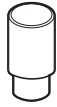
## MAINTENANCE AND SERVICE TOOLS, CONTINUED

ITEM	PART NO.	DESCRIPTION	QTY GAS	QTY ELEC	
		1 2 3 4			23
21	101641002	Compression Gauge and Adapter .....	1		G
22	1011273	Continuity Tester .....	1	1	E
23	105234501	Controller Diagnostic Tool (CDT) User Kit (includes items 25 and 26) .....		1	
24	105234502	Controller Diagnostic Tool (CDT) OEM Kit (includes items 25 and 26) .....		1	
25	102251501	Adaptor, Cable .....		1	
26	105209601	CDT Cable .....		1	
27	1012151	Dry Moly Lubricant .....	1	1	
28	1016418	Gear Yoke .....	1	1	
29	1011478	Hydrometer .....	1	1	
30	1013593	Internal Retaining Ring Pliers .....	1	1	
31	101928701	Liquid Gasket (transaxle case) .....	1	1	
32	102243402	Moly-Teflon Lubricant (4-oz. (113-gram) tube) .....		1	
33	102587201	Paint Pen, Touch-Up, Precedent Underbody – Black .....	1	1	
34	1016414	Piston Ring Compressor Kit .....	1		
35	1016415	Piston Ring Pliers .....	1		
36	1012549	Retaining Ring Pliers, 45° External .....	1	1	
37	1012560	Retaining Ring Pliers, 90° Internal .....	1	1	
38	101823101	Safety First Card (50 per pack) .....	1	1	
39	1012809	Seal Puller .....	1	1	
		Please refer to the maintenance and service manual for proper tool application.			

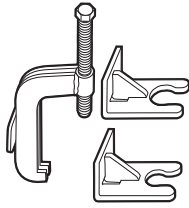
**23**  
**G**  
**E**



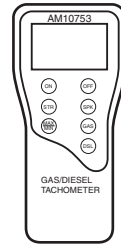
40



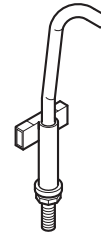
41



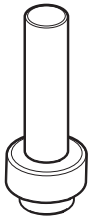
42



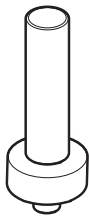
43



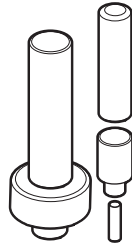
44



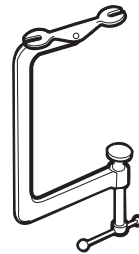
45



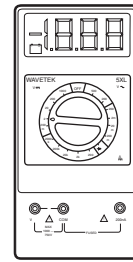
46



47



48



49

001062-001



## MAINTENANCE AND SERVICE TOOLS, CONTINUED

ITEM	PART NO.	DESCRIPTION	QTY GAS	QTY ELEC
		1 2 3 4		
40	1014264	Steering Column Bearing Press Tool .....	1	1
41	1014259	Steering Column Retaining Ring Tool .....	1	1
42	102061201	Steering Wheel Puller Tool .....	1	1
43	AM10753	Tachometer (includes gasoline engine pick up lead only) .....	1	
44	102570401	Tool, Tensioning, Starter Generator (For Precedent vehicles) .....	1	
45	1014162	Transaxle Axle Seal Tool (for electric vehicles) .....		1
46	1014161	Transaxle Pinion Seal Tool (for electric vehicles) .....		1
47	1014115	Transmission Tool Kit (for electric vehicles).....		1
48	101641101	Valve Spring Compressor .....	1	
49	1011480	Volt Ohm Meter .....	1	1
		Please refer to the maintenance and service manual for proper tool application.		

23

G

E



# INDEX

## Part Number and Page

AM10753	23-7	1011480	23-7	1014072	15-5, 16-7
AM10079	4-11, 4-13, 4-15	1011571	4-15	1014078	15-5, 16-7
AM10419	15-5, 16-7	1011610	4-15	1014080	15-5, 16-7
AM10682	2-3	1011697	9-17, 11-9, 11-11	1014089	7-9
AM1220301	9-3	1011767	23-3	1014115	23-7
AM1231201	1-27	1012151	23-5	1014145	7-9, 18-3
AM1232301	9-3, 9-7	1012180	6-15, 6-17, 6-19	1014153	5-3
AM1263401	2-5	1012181	6-19	1014161	23-7
AM1300001	19-15	1012182	6-19	1014162	23-7
AM1300101	19-15	1012285	11-11	1014201	20-3
AM1300201	19-15	1012295	7-19	1014259	23-7
AM1300301	19-15	1012431	7-9, 8-15	1014264	23-7
183	15-3, 16-5, 17-3	1012505	4-11, 4-13, 4-15	1014287	15-3, 16-5
332	13-3	1012528	13-3, 14-3, 19-17	1014288	15-3, 16-5
334	9-17, 15-3, 16-5	1012549	23-5	1014289	8-7
451	13-3, 20-3	1012560	23-5	1014304	19-9, 19-11
705	9-17	1012565	6-3, 6-5	1014305	23-3
706	6-13	1012566	6-3, 6-5	1014375	7-19, 8-11
808	15-3	1012571	1-15, 9-17	1014413	1-17, 11-13
1241	7-17, 10-5, 13-3	1012594	7-9, 8-15	1014453	15-3, 16-5
1242	5-5, 7-17, 7-19, 8-9, 8-11	1012649	11-3, 12-7	1014454	15-5, 16-7
1620	1-27	1012809	23-5	1014496	23-3
1624	7-17, 8-9	1012811	23-3	1014497	23-3
7174	7-17, 8-9, 11-11, 13-3, 14-3	1012812	23-3	1014507	23-3
7310	2-3, 2-5	1012830	7-17, 11-11, 13-3	1014508	23-3
7330	21-3	1012836	15-5, 16-7	1014555	6-15, 6-17, 6-19, 19-9, 19-11
7335	21-3	1012987	7-9, 18-3	1014727	7-9, 8-15
7336	21-3	1013042	6-9	1014789	8-5
7591	10-9	1013061	17-3	1014807	7-9, 8-15
7847	13-3	1013164	6-15, 6-17, 6-19	1014902	1-51, 1-53, 1-55
7893	7-19, 8-11	1013589	7-9, 18-3	1014947	19-17
8056	8-15	1013590	7-9, 18-3	1015064	7-9, 18-3
8057	7-9, 8-15	1013591	7-9, 18-3	1015137	11-9, 12-7
8058	7-9, 8-15	1013593	23-5	101524002	7-17
8233	12-13, 17-3, 18-9	1013609	7-19, 8-11	1015332	9-5
8450	15-3, 16-5	1013687	11-3	1015524	23-3
8639	19-5, 19-19	1013700	11-11	1015583	6-15, 6-17, 6-19
8717	7-9, 17-3, 18-3	1013734	13-3, 19-17	101558302	6-15, 6-17, 6-19
8745	6-13	1013746	11-9, 12-7	1015649	9-5
8754	7-17, 8-9	1013794	21-3	1015814	13-3
8990	1-41, 4-3, 4-5, 4-7, 4-9, 6-9, 18-5, 19-5, 19-19	1013857	4-3, 4-5, 4-7, 4-9, 4-15	101584502	11-11
1010145	6-15, 6-17, 6-19	1013924	5-3, 9-17, 10-5	101587704	11-3, 12-7
1010434	1-23, 1-47, 1-49, 1-51, 1-53, 1-55, 5-7, 5-9, 5-11, 5-13, 19-11	1014007	12-13, 17-3, 18-9	1015932	7-17, 8-9
1010436	1-27	1014049	15-3	1015969	9-5, 10-7
1010577	9-17, 10-5	1014050	15-3	1016074	7-17
1010829	5-5	1014051	15-3, 16-5	1016103	10-9, 11-9
1010954	7-9	1014052	15-3	1016154	6-3, 6-5
1010958	19-9, 19-11	1014055	15-3, 16-5	1016201	15-3, 16-5
1010984	2-3	1014056	15-3, 16-5	1016203	15-3
1011114	12-13, 18-9	1014057	15-3, 16-5	1016214	6-3, 6-5
1011273	23-5	1014058	15-3, 16-5	1016289	15-3, 16-5
1011415	6-15, 6-17, 6-19	1014059	15-3, 16-5	101641002	23-5
1011478	23-5	1014062	15-3, 16-5	101641101	23-7
		1014063	15-3, 16-5	101641202	23-3
		1014065	7-9, 15-3, 16-5, 18-3	1016414	23-5
		1014070	15-5	1016415	23-5

# INDEX

1016416	23-3	1016547	9-5, 9-15, 11-9	1017474	9-5
1016417	23-3	1016549	9-11	1017475	9-5
1016418	23-5	1016560	9-11	1017476	9-5
101642580	11-7	1016561	9-7	1017486	9-5
101642582	11-7	1016562	9-7, 9-15	1017487	9-13
101642585	11-7	1016563	9-11	1017490	9-7
1016429	9-9	1016564	9-13	1017501	9-15
1016432	9-9	1016566	9-11	1017502	9-15
1016436	9-11	1016569	9-11	1017503	9-15
1016437	11-7	1016570	9-9	1017504	9-13
1016438	11-9	1016571	9-15	1017507	9-9
1016440	9-11, 11-9	1016572	11-9	1017508	9-13
1016441	11-9	1016576	9-9	1017510	9-15
1016444	11-9	1016578	9-7	1017512	9-15
1016449	9-11	1016581	9-9	1017513	9-13
1016450	9-11	1016582	11-9	1017514	9-13
1016451	9-11	1016583	9-11	101751801	9-13
1016452	9-11	1016584	9-13	101751802	9-13
1016453	9-13	1016585	11-7	101751803	9-13
1016454	9-13	1016587	9-7	1017686	15-5, 16-7
1016455	9-7	1016588	9-7	1017689	13-3
1016456	9-5	1016630	4-13	101773301	9-15
1016457	9-9	1016801	15-3, 16-5	101773302	9-15
1016458	9-11	1016849	4-3, 4-5, 4-7, 4-9, 4-11, 4-13, 4-15	101773303	9-15
1016470	9-15	1016851	4-11, 4-13, 4-15	101773304	9-15
1016472	9-13	1016883	7-17	101773305	9-15
1016473	9-9	1016904	9-11, 13-3	101773306	9-15
1016474	9-11	1017041	1-31	101773307	9-15
1016479	9-11	101705701	1-51, 1-53, 1-55, 3-15	101773308	9-15
101648102	11-9	1017082	17-3	101773309	9-15
101648203	9-9	1017145	16-7	101773310	9-15
1016483	9-11	1017235	1-51, 1-53, 1-55, 6-19	101773311	9-15
1016486	11-7	1017434	9-11	101791101	5-3
1016489	9-11	1017442	9-9	101808401	23-3
101649002	11-9	1017444	9-11	101809101	23-3
1016494	9-13	1017445	9-11	101811401	1-17, 11-13
1016496	9-13	1017448	9-7	101813202	23-3
1016499	11-7	101744901	9-15	101815501	5-3
1016501	11-7	101744902	9-15	101815502	5-3
1016502	9-9	1017450	9-15	101816501	5-3
1016506	9-13	101745101	9-15	101816502	5-3
1016507	9-5	101745102	9-15	101820201	11-9
1016510	9-13	1017453	9-15	101823101	23-5
1016517	9-11	1017454	9-11	101823201	5-3
1016519	9-11	1017455	9-7	101823801	5-3
1016521	9-13	1017456	9-9	101823901	5-3
1016531	9-5	101745701	9-15	101824101	10-9
1016535	9-13	101745702	9-15	101825101	3-3, 3-5, 3-11
1016537	9-9	1017458	9-9	101827101	9-17
1016538	9-13	1017460	9-9	101830701	4-11, 4-13, 4-15
1016539	9-5	1017461	11-7	101831901	23-3
1016541	9-15	1017463	9-7	101832001	19-5
1016542	9-11	1017466	11-9	101832202	11-11
1016544	9-7, 9-11, 9-13	1017471	9-15	101832302	11-11
1016545	9-11	1017472	9-13	101832701	9-17
1016546	11-11	1017473	9-11	101833101	9-17

# INDEX

101833401	15-5, 16-7	102022601	6-9	102296716	19-17
101833902	15-3	102025801	12-3, 12-5	102296819	1-11
101834001	15-5	102051901	4-3, 4-5, 4-7, 4-9, 4-15	102296920	7-9, 19-7
101834502	4-11, 4-13, 4-15	102059501	18-7	102297001	1-11
101834601	9-17, 10-5	102061201	23-7	102297125	11-13, 12-15
101834801	17-3	102065901	9-17	102297230	1-23, 1-25, 1-27, 1-29, 1-31, 11-5, 12-7
101835601	4-3, 4-5, 4-7, 4-9, 4-17, 4-19	102155801	15-5, 16-7	102297901	5-5
101836201	15-5	102186001	20-3	102298020	1-13, 1-15, 19-9, 19-11
101837301	7-15	102186101	20-3	102298030	1-17, 1-19, 1-25, 1-47, 5-7, 5-9, 5-11, 5-13
101850301	6-3, 6-5	102186201	20-3	102298116	6-7, 10-9
101851101	4-11, 4-13, 4-15	102186401	20-3	102298130	6-7
101856001	19-7	102186701	20-3	102298170	6-15, 6-17, 6-19
101856201	1-17, 11-13	102186901	20-3	102298175	6-15, 6-17, 6-19
101865805	19-11	102187101	20-3	102298185	6-15, 6-17, 6-19
101871001	23-3	102187201	20-3	102298240	1-23, 1-47
101884801	9-17, 10-5	102196901	4-11	102298401	1-3, 1-5, 1-39, 1-41, 6-15, 6-17, 6-19
101886101	12-13, 17-3, 18-9	102199001	4-15	102298580	1-3, 6-15, 6-17, 6-19
101887101	23-3	102235201	20-3	102298601	1-3, 1-49, 6-15, 6-17, 6-19
101887601	9-5, 11-9	102240501	19-17	102298716	1-13, 1-25
101895401	21-3	102242101	10-5, 15-5, 16-7	102298720	1-49, 1-51, 1-53, 1-55, 4-3, 4-5, 4-7, 4-9
101895501	21-3	102243402	23-5	102298745	1-47, 1-49, 1-51, 1-53, 1-55
101897001	21-3	102243403	20-3	102298995	1-3
101897201	21-3	102251501	23-5	102299065	1-9, 1-39, 1-41, 1-45
101897401	21-3	102274101	18-17	102299360	1-39, 1-41
101897601	21-3	102279104	1-25	102299601	1-39, 1-41
101898001	7-19, 8-11	102287101	6-11	102336001	11-11
101903601	21-3	102287601	6-11	102353201	6-13
101903701	21-3	102287701	6-11	102353301	6-13
101906901	21-3	102288101	6-11, 6-13	102353401	6-13
101908401	8-13, 19-7	102288201	6-13	102355301	7-19, 8-11
101916101	9-5	102288401	6-13	102356601	21-3
101916301	9-7	102288901	6-11	102356801	21-3
101916701	7-17, 15-3	102289001	6-9	102357001	21-3
101920101	20-3	102289101	6-13	102357701	6-13
101922101	21-3	102289201	6-13	102400002	1-39, 1-41, 1-45
101922201	21-3	102289401	6-11	102400102	1-39, 1-41, 1-45
101923001	21-3	102289501	6-11, 6-13	102400202	1-9
101923201	21-3	102289601	6-11	102400302	1-9
101923501	21-3	102289701	6-11	102406701	11-3
101923901	21-3	102289801	6-13	102410604	10-9, 12-13
101925601	15-3	102289901	6-11	102411203	12-3, 12-5
101928701	21-3, 23-5	102290120	6-3, 6-5, 6-7	102411209	12-15
101929802	15-3	102292101	1-3	102430901	9-15
101942301	20-3	102292201	5-7, 5-9, 5-11, 5-13	102476401	12-13, 18-9
101954301	1-21	102292356	1-11, 1-13, 19-9, 19-11	102478101	1-29
101960501	3-3, 3-7, 7-15	102292701	1-13, 1-25	102478201	1-29
101963401	9-17, 10-5	102292801	5-5	102490301	12-13
101972101	21-3	102296020	1-7, 1-29, 4-3, 4-5, 4-7, 4-9, 7-19, 8-11, 11-3, 11-13, 12-3, 12-5, 12-15	102491501	16-5, 19-9, 19-11
101972201	21-3	102296040	7-9, 7-19, 8-11, 18-3	102492301	19-5, 22-13
101973101	11-7	102296140	1-33, 1-35, 1-37	102498201	12-13, 18-7, 18-9
101973301	11-7	102296150	1-29	102500801	5-7, 5-9, 5-11, 5-13
101973401	11-9	102296301	1-29	102501402	1-25
101979101	7-9, 8-15	102296401	1-33, 1-35, 1-37	102501501	1-7
101985201	1-31	102296530	1-23, 1-47, 1-51, 1-53, 1-55		
101998501	1-21	102296601	1-25		
102003201	9-3, 11-3				

# INDEX

102502301	1-25	102521301	11-13	102559901	2-3
102502302	1-25	102521401	11-13, 12-15	102562401	23-3
102502304	1-25	102521901	1-13	102565201	6-9
102502305	1-25	102522901	4-11, 4-13, 4-15	102566001	6-9
102502306	1-25	102526201	17-3, 18-3	102569302	2-3
102502307	1-25	102527801	4-3, 4-5, 4-7, 4-9	102569311	2-3
102502308	1-25	102528101	4-3, 4-5, 4-7, 4-9	102570401	23-7
102502309	1-25	102528701	4-3, 4-5, 4-7, 4-9	102570905	1-51
102502311	1-25	102528901	4-7, 4-9	102570906	1-53
102502313	1-25	102529001	4-7, 4-9	102570907	1-55
102502401	1-7	102529201	4-3, 4-5, 4-7, 4-9	102571202	19-11
102502402	1-7	102531001	1-49, 1-51, 1-53, 1-55	102572401	4-11
102502404	1-7	102531402	1-49, 1-51, 1-53, 1-55	102573101	1-47, 1-51, 1-53, 1-55
102502405	1-7	102531502	1-47, 1-51, 1-53, 1-55	102581201	1-45
102502406	1-7	102534201	1-5, 1-49, 1-51, 1-53, 1-55	102582401	1-29
102502407	1-7	102534404	1-7	102584701	1-49, 1-51, 1-53, 1-55
102502408	1-7	102534801	1-51, 1-53, 1-55, 6-19	102584801	1-49, 1-51, 1-53, 1-55
102502409	1-7	102535101	4-3, 4-5, 4-7, 4-9	102585901	13-3
102502411	1-7	102535201	4-3, 4-5, 4-7, 4-9	102587201	23-5
102502413	1-7	102535301	4-3, 4-5, 4-7, 4-9	102588301	11-13
102502501	1-7	102535401	4-3, 4-5, 4-7, 4-9	102588501	6-15, 6-17, 6-19
102504001	1-23	102536103	1-31	102588601	6-11
102504201	1-23	102536601	4-11, 4-13, 4-15	102594301	5-5
102504301	1-23	102536602	4-13, 4-15	102594801	5-7, 5-9, 5-11, 5-13
102505701	1-3, 6-11	102536603	4-11	102594901	5-7, 5-9, 5-11, 5-13
102506401	6-15, 6-17, 6-19	102536604	4-13, 4-15	102595101	11-11
102507801	1-3	102536605	4-11	102595201	5-7, 5-9, 5-11, 5-13
102508202	1-19	102538601	19-5, 19-7	102595301	5-7, 5-9, 5-11, 5-13
102508401	19-7	102538803	1-27	102595401	5-7, 5-9, 5-11, 5-13
102508601	4-11	102540301	9-17, 10-5	102595502	5-7, 7-3, 8-3
102508901	1-33	102540601	2-5	102595901	5-7, 5-9, 5-11, 5-13
102508902	1-35	102540701	2-5	102596001	5-7, 5-9, 5-11, 5-13
102508903	1-37	102540901	3-3	102596301	5-9, 5-11, 5-13
102511101	19-7	102541401	1-27, 1-31	102617201	10-5, 14-3
102511601	1-33	102541402	10-9	102617801	18-17
102511602	1-35	102541425	1-29, 1-45, 1-47, 1-51, 1-53, 1-55, 22-13	102621501	1-45, 18-7
102511603	1-37	102543902	1-9	102704701	20-3
102511702	1-17	102544201	1-9, 1-39, 1-41, 1-45	102704801	20-3
102512001	7-9	102544301	4-3, 4-5, 4-7, 4-9	102704901	20-3
102513501	1-39, 1-41	102551901	5-5	102711001	7-15
102514201	11-3	102552001	5-5	102732401	10-5
102514401	1-17, 11-13	102554901	7-9, 19-5	102753401	9-11
102514602	7-9	102555501	23-3	102771701	21-3
102514701	11-3	102555901	3-5, 3-11	102803301	7-19, 8-11
102514702	12-3, 12-5	102556701	2-5	102838401	9-7
102515001	4-13, 7-7	102556801	2-5	102838701	7-15, 8-7
102515101	4-13, 4-15	102557201	1-11	102838801	7-15, 8-7
102515401	17-3	102558201	9-3, 10-3, 11-13, 12-15	102838901	7-15, 8-7
102515501	7-9	102558301	11-13	102839001	7-15, 8-7
102515601	7-9	102558401	11-13	102839301	7-15, 8-7
102516901	1-19	102558501	11-13, 12-15	102841101	7-15, 8-7
102517001	1-23	102558601	11-13, 12-15	102844601	7-15, 8-7
102517601	4-3, 4-5, 4-7, 4-9	102558701	11-13, 12-15	102844701	7-15, 8-7
102517801	3-3	102559401	5-7, 5-9, 5-11, 5-13	102865101	11-3, 12-7
102517901	3-3, 3-7	102559701	5-7, 5-9, 5-11, 5-13	102865901	19-17
102519301	3-3, 3-5, 3-11			102878201	6-13

# INDEX

102886301	21-3	102902501	17-7	103451401	1-29
102886401	21-3	102902601	17-7	103451901	1-29
102886501	21-3	102902701	17-7	103451902	1-29
102886601	21-3	102902801	17-7	103451903	1-29
102897201	17-5	102915601	1-11	103459104	2-3
102897301	17-5	102956201	6-11, 6-13	103470701	11-3, 12-3, 12-5
102897401	17-3	102958001	19-13	103483101	5-3
102897601	17-3	102967901	1-25	103483102	5-3
102897701	17-5	103010101	11-3	103483201	5-3
102897801	17-3	103196001	1-39, 1-41, 1-45	103483401	5-3
102897901	17-3	103196202	10-5	103483601	5-3
102898001	17-5	103198401	8-13	103483701	5-3
102898101	17-5	103199301	1-39, 1-45	103496801	7-19, 8-11
102898201	17-3	103200301	1-39, 1-41	103507101	11-9
102898301	17-5	103205101	1-33, 1-35, 1-37	103510602	19-13
102898401	17-5	103205501	3-7, 8-13	103528701	5-5
102898501	17-5	103210101	1-33, 1-35, 1-37	103528702	5-5
102898601	17-5	103286201	1-43	103535001	5-5
102898701	17-5	103286202	1-43	103536501	7-13
102898801	17-5	103286203	1-43	103572501	20-3
102898901	17-5	103325001	1-5, 4-3, 4-5, 4-7, 4-9	103597101	4-7, 4-9
102899001	17-5	103327601	1-23	103615601	9-11
102899101	17-3	103330601	1-5	103615801	9-15
102899201	17-3	103345701	15-3	103615901	9-11, 9-13
102899301	17-5	103347101	7-15, 8-7	103616401	9-13
102899401	17-3	103347301	7-15, 8-7	103616501	9-7
102899501	17-5	103347601	7-15, 8-7	103616601	9-7
102899601	17-5	103347701	7-15, 8-7	103616701	9-7
102899701	17-3	103347801	7-15, 8-7	103616901	11-7
102899801	17-3	103347901	7-15, 8-7	103624601	1-51, 1-53, 1-55
102899901	17-5	103357701	19-9, 19-11	103624602	1-51, 1-53, 1-55
102900001	17-3	103367901	19-17	103635201	1-13
102900101	17-3	103368301	19-9, 19-11	103638601	6-13
102900201	17-3	103368401	19-9, 19-11	103638701	6-13
102900301	17-3	103372101	11-3, 12-3, 12-5	103638702	6-13
102900401	17-5	103372401	11-5, 12-7	103638801	6-13
102900501	17-5	103374801	19-9, 19-11	103638901	1-3
102900601	17-3	103375301	19-9, 19-11	103647402	19-9, 19-11
102900701	17-5	103375402	19-5	103647403	19-9, 19-11
102900801	17-7	103375702	19-5	103653001	1-47, 1-51, 1-53, 1-55
102900901	17-3	103375901	4-3, 4-5, 4-7, 4-9	103653201	1-45
102901001	17-5	103379601	7-9	103662801	1-27
102901101	17-5	103380201	5-3	103678001	1-13
102901201	17-7	103380202	5-3	103678101	1-13
102901301	17-7	103384601	3-13	103678502	7-15
102901401	17-7	103384701	3-13	103679701	6-9
102901501	17-7	103384801	3-13	103683001	1-13
102901601	17-7	103386201	9-5	103694501	2-3
102901701	17-7	103388501	6-11	103699401	1-23
102901801	17-7	103395505	19-13	103700302	4-3, 4-7, 4-17
102901901	17-7	103397901	4-7, 4-9	103711001	6-13
102902001	17-7	103402701	1-11	103724501	6-5
102902101	17-7	103414901	4-7, 4-9	103724503	6-3
102902201	17-7	103449501	19-19	103724601	6-3, 6-5
102902301	17-7	103449601	19-19	103724901	6-3, 6-5
102902401	17-7	103451301	1-29	103725601	1-41

# INDEX

103725701	1-45	103886801	1-31	103993901	4-11
103742303	1-51, 1-53, 1-55	103887901	9-3, 9-9	103994101	1-27
103742304	6-17	103896601	11-3, 12-7	103995001	18-17
103742305	6-15	103905201	11-3, 12-3, 12-5	103995901	10-7
103742306	6-19	103921601	6-15, 6-17	103996201	10-5
103750001	1-39, 1-41, 1-45	103921602	6-15, 6-17	104005301	8-9
103750101	1-39, 1-41, 1-45	103922401	1-49, 1-51, 1-53, 1-55	104005901	19-15
103756401	11-5, 12-7	103923601	4-3, 4-5, 4-7, 4-9	104006101	19-15
103765601	19-9, 19-11	103924301	4-15	104008001	1-33
103774701	19-13	103924401	4-15	104008002	1-35
103774801	1-41	103924801	8-5, 19-5	104008003	1-37
103775201	1-41	103926401	1-13	104008501	1-39
103775601	1-41	103926601	1-3	104008502	1-41
103777601	5-7, 5-9, 5-11, 5-13, 7-3, 8-3	103929301	1-23	104008901	1-39
103781101	11-3	103929302	1-23	104008902	1-41
103783001	3-11, 6-3, 6-5	103933902	4-3, 4-5, 4-7, 4-9	104021701	18-17
103783002	3-3, 3-5, 6-3, 6-5	103934901	2-5	104023201	19-5
103783003	6-3	103935001	2-5	104023421	1-21
103794501	11-5, 12-7	103943201	7-9	104023422	1-21
103795001	12-15	103943401	5-13, 19-3	104023424	1-21
103796701	6-3	103944301	11-3, 12-3, 12-5	104023425	1-21
103802402	4-5, 4-9, 4-19	103951001	2-3	104023501	12-13, 18-9
103810201	6-7	103951002	2-3	104024001	19-5
103812901	1-25	103951007	2-3	104024201	22-3, 22-11
103813001	1-25	103951501	18-17	104024202	22-11
103816401	1-45	103952901	1-23	104024401	22-11
103816402	1-45	103953301	7-15, 8-7	104024402	22-11
103816601	1-7	103964002	11-3	104024501	22-3, 22-5, 22-7, 22-9, 22-13
103826201	6-9	103964901	6-15, 6-17, 6-19	104024601	22-3, 22-5, 22-7, 22-9, 22-13
103826301	6-9	103965001	6-15, 6-17, 6-19	104025101	16-7
103832401	2-5	103973901	16-5	104027101	18-17
103832901	1-21	103974002	16-7	104028501	22-11
103833601	1-21	103974201	16-5	104028502	22-11
103833701	1-21	103974401	16-5	104028601	22-11
103833801	1-21	103974815	5-7	104028602	22-11
103833901	1-21	103974821	5-9, 5-11	104028901	22-3, 22-5, 22-7, 22-9
103853121	1-23, 1-47, 1-51	103974901	5-7, 5-9, 5-11, 5-13	104029001	22-3, 22-5, 22-7, 22-9
103853122	1-23, 1-47, 1-53	103975011	5-13	104029301	22-13
103853124	1-23, 1-47, 1-55	103975301	16-7	104029601	22-3, 22-5
103853125	1-23, 1-47	103975901	1-3	104029602	22-7
103854301	11-3	103976101	16-5	104029603	22-9
103854501	11-3	103978001	12-13	105003601	22-3, 22-5, 22-7, 22-9
103862401	11-3	103978801	1-23	105003701	22-3, 22-5, 22-7, 22-9
103866801	1-47	103979301	18-17	105005001	19-17
103866802	1-47	103979401	10-5	105005402	1-15
103866901	1-47, 1-51, 1-53, 1-55	103982001	12-13	105007501	8-5
103866902	1-47, 1-51, 1-53, 1-55	103982002	12-13	105008101	8-5
103874111	5-13	103982201	10-5	105008301	8-5
103874201	17-3	103982301	19-17	105009001	12-15
103879701	18-11	103983501	12-11	105009201	12-15
103881201	1-41	103984601	16-5	105010001	10-19
103882001	17-5	103989501	18-17	105010101	10-15
103882101	17-3	103990501	1-3	105010201	10-15
103882301	17-3	103990601	1-3	105010301	10-15
103882801	10-5	103991501	4-11	105010401	10-19
103886601	18-5	103993601	14-3	105010501	10-19



# INDEX

105010601	10-19	105016201	12-11	105028301	18-11
105010701	10-19	105016301	12-11	105028401	18-13
105010801	10-15	105016401	12-11	105028501	18-11
105010901	10-15, 12-11	105016501	12-11	105028601	18-13
105011001	10-19	105016701	10-7	105028701	18-13
105011101	10-19	105016801	10-7	105028801	18-13
105011201	10-19	105016901	10-7	105028901	18-13
105011301	10-19	105017001	10-7	105029001	18-13
105011401	10-19	105017101	10-7	105029101	18-13
105011501	10-19	105017201	12-9	105029201	18-13
105011601	10-19	105017301	10-11	105029301	18-15
105011701	10-19	105017401	10-11	105029401	18-15
105011801	10-19	105017501	10-11	105029501	18-15
105011901	10-15	105017601	10-11	105029601	18-15
105012001	10-15	105017701	10-11	105029701	18-15
105012101	10-15	105017801	10-3, 10-11	105029801	18-15
105012201	10-15	105017901	10-11	105029901	18-15
105012301	10-15	105018001	10-13	105030001	18-11
105012401	10-15	105018101	10-13	105030301	18-15
105012501	10-19	105018201	10-13	105030401	18-15
105012601	10-7, 10-13, 10-15	105018301	10-13	105030501	18-15
105012701	10-21	105018401	10-13	105030601	18-15
105012801	10-21	105018501	10-15	105030701	18-11
105012901	10-21	105025001	18-11	105030801	18-15
105013001	10-21	105025101	18-11	105030901	18-13
105013101	10-21	105025201	18-11	105031001	18-15
105013201	10-21	105025301	18-11	105037101	4-15
105013301	10-21	105025401	18-11	105037501	18-3
105013401	10-21	105025501	18-11	105037601	18-3
105013501	10-21	105025601	18-11	105037701	18-3
105013601	10-21	105025701	18-11	105038501	18-3
105013701	10-21	105025801	18-11	105038801	18-5
105013801	10-21	105025901	18-11	105039801	18-3
105013901	10-21	105026001	18-11	105040401	18-3
105014001	10-21	105026101	18-11	105040901	18-7
105014101	10-21	105026201	18-11	105041101	18-3
105014201	10-17	105026301	18-11	105043401	12-5
105014301	10-17	105026401	18-11	105043402	12-3
105014401	10-17	105026501	18-11	105043601	12-3, 12-5
105014501	10-17	105026601	18-11	105043801	12-3, 12-5
105014601	10-17	105026701	18-11	105049001	6-7
105014701	10-17	105026801	18-11	105066001	18-15
105014801	10-17	105026901	18-11	105066101	18-15
105014901	10-17	105027001	18-11	105067501	3-7
105015001	10-17	105027101	18-11	105068201	22-11
105015101	10-17	105027201	18-11	105068202	22-11
105015201	10-17	105027301	18-11	105068301	22-11
105015301	10-17	105027401	18-13	105068302	22-11
105015401	10-17	105027501	18-13	105068401	22-11
105015501	10-17	105027601	18-13	105068402	22-11
105015601	10-17	105027701	18-13	105068601	6-7
105015701	10-17	105027801	18-13	105070101	22-3, 22-5, 22-11
105015801	10-17	105027901	18-13	105070102	22-7, 22-11
105015901	10-17	105028001	18-13	105070103	22-9, 22-11
105016001	10-11, 10-17	105028101	18-15	105070501	3-9
105016101	12-11	105028201	18-13	105072201	12-3, 12-5

# INDEX

- 105073001 12-3, 12-5  
105074101 18-3  
105075301 10-9  
105076201 14-3  
105081501 8-5  
105081601 8-5  
105082601 22-13  
105082801 22-13  
105083001 22-13  
105084301 22-13  
105084401 22-13  
105084501 22-13  
105084801 10-9  
105086801 22-13  
105086901 22-13  
105088501 12-15  
105092301 22-3, 22-5, 22-7, 22-9, 22-13  
105093101 22-3, 22-5, 22-7, 22-9  
105094101 22-13  
105095201 22-3  
105096101 16-5  
105101001 22-13  
105101221 1-47, 1-51  
105101222 1-47, 1-53  
105101224 1-47, 1-55  
105101225 1-47  
105102601 8-15  
105116301 5-13, 19-3  
105123801 22-3, 22-5, 22-7, 22-9, 22-13  
105134601 10-5  
105135101 12-13, 18-7  
105136501 8-13  
105137401 19-5  
105138301 19-9, 19-11  
105142501 4-7  
105142502 4-9  
105142601 4-3  
105142602 4-5  
105143301 8-5, 12-3, 12-5  
105144401 12-13, 18-9  
105149301 10-5  
105161701 8-5, 8-7  
105166801 19-15  
105166901 19-15  
105167001 19-15  
105167101 19-15  
105168501 19-15  
105168601 19-15  
105190101 8-7  
105199901 12-3, 12-5  
105205401 8-9  
105209601 23-5  
105215501 12-5  
105215502 12-3  
105228801 8-5  
105234501 23-5  
105234801 18-13  
105234901 18-13  
105245801 16-3  
4 pass conversion kit, beige 1-51  
4 pass conversion kit, gray 1-55  
4 pass conversion kit, white 1-53  
96704416 9-17  
96705199 18-7  
96741046 10-5
- ## A
- A-arm, three-piece 6-11  
absorber, front shock 6-11  
absorber, rear shock 6-15, 6-17, 6-19  
AC cord 22-3, 22-11  
accelerator cable 11-11, 12-13  
accelerator pedal 5-7, 5-9, 5-11, 5-13, 7-3, 8-3  
accelerator pedal adjustment tool 23-3  
access panel 1-25  
adapter  
    air intake 12-11  
    cable (IQDM) 23-5  
adhesive, guide ring 23-3  
air cleaner assembly 12-15  
air deflector 10-9  
air filter 9-3, 10-3, 11-13, 12-15  
air filter canister evacuation valve 11-13, 12-15  
air intake adapter 12-11  
air intake assembly 11-13  
air intake cover 11-13, 12-15  
air intake hose 11-13, 12-15  
arbor 23-3  
arm  
    governor 12-13, 17-3, 18-9  
    rocker 9-11  
armature 20-3  
armrest 1-21  
assembly  
    brake lever 5-3  
    connecting rod 9-15  
    cylinder head 9-11  
    drive hub 15-3, 16-5  
    driven clutch 15-5, 16-7  
    driven clutch fixed-face 15-5  
    float 11-7  
    frame and field (motor) 20-3  
    fuel cap 11-3, 12-3, 12-5  
    fuel pump 11-3, 12-3, 12-5  
    governor 17-5  
    idle screw 11-7  
    moveable-face 15-3, 15-5, 16-5, 16-7  
    pilot air screw 11-7  
    plug cap 9-7  
    secondary clutch weight 15-3, 16-5  
axle 17-3, 17-7, 21-3  
axle shaft 18-15  
axle shaft oil seal 17-7, 21-3  
axle tube 17-7, 18-15, 21-3
- ## B
- backing plate, brake 5-3  
backrest, beige 1-23, 1-47, 1-51  
backrest, black 1-23, 1-47  
backrest, gray 1-23, 1-47, 1-55  
backrest, white 1-23, 1-47, 1-53  
baffle  
    crankcase 10-7  
bag hoop 1-23  
bag strap 1-23  
bag strap buckle 1-23  
balance shaft 10-21  
ball bearing 7-15, 8-7, 9-13, 18-13, 18-15  
ball joint, inner 6-9  
ball stud 7-9  
ball, steel pressure relief 9-9  
barrel, plastic 1-23, 1-47, 1-49, 1-51, 1-53, 1-55, 5-7, 5-9, 5-11, 5-13, 19-11  
battery  
    8-volt, GC8 Type E 19-9, 19-11  
battery bucket 19-9, 19-11  
battery charger 22-3, 22-5, 22-7, 22-9, 22-13  
battery charger wire harness  
    onboard 22-13  
battery clamp 7-19, 8-11  
battery cross rod tube 19-9, 19-11  
battery discharge machine 23-3  
battery hold-down 19-9, 19-11  
battery terminal protector spray 23-3  
battery thermometer 23-3  
battery, 12-volt 7-19, 8-11  
bead, ferrite 19-19  
bearing 21-3  
    balance shaft 10-19  
    ball 7-15, 8-7, 9-13, 18-13, 18-15  
    ball (motor) 20-3  
    cage roller 17-5  
    crankshaft 10-19  
    idler 15-3  
    inner axle tube 21-3  
    thrust 18-11  
bearing and oil seal remover 23-3  
bearing driver set 23-3  
bearing puller 23-3  
bearing puller wedge 23-3  
beauty panel, front 1-7  
beauty panel, rear 1-25  
bellows, steering 6-9  
belt, drive 15-3, 16-3  
belt, starter/generator 7-17, 15-3  
belt, V 7-17, 15-3  
bezel, FNR 7-9

# INDEX

- body kick plate (ele) 1-19
  - body kick plate (gas) 1-15, 1-17
  - body, rear 1-25
  - body, under 1-25
  - bolt
    - battery, "S" hold-down 19-9, 19-11
  - bolt, U- 1-51, 1-53, 1-55
  - boot, switch 8-13, 19-7
  - bottle, sand 1-29
  - box, differential 17-7
  - bracket
    - accel.cable 12-13, 18-7
    - accelerator cable 11-11
    - adjustable starter/generator 7-17
    - canopy support 1-39, 1-41
    - carbon canister 11-5, 12-7
    - clamshell 1-13
    - equalizer 5-5
    - FNR cable 12-13, 18-7
    - governor 12-13, 18-9
    - governor cable 11-11
    - jounce bumper 1-51, 1-53, 1-55, 6-19
    - mounting, starter/generator 10-5
    - mounting, transaxle/exhaust 10-5
    - muffler mounting 13-3
    - oil filter mount 9-9
    - oil level switch 9-13
    - seat support 1-47
    - shock mounting, drv 6-15, 6-17, 6-19
    - shock mounting, pas 6-15, 6-17, 6-19
    - snubber 9-17, 10-5
    - starter/generator adjusting 8-9
    - starter/generator mounting 7-17
    - throttle spring return 11-9
  - brake adjusting mechanism 5-3
  - brake backing plate 5-3
  - brake cable 5-5
  - brake cable release tool 23-3
  - brake cluster 5-3
  - brake drum 5-3
  - brake lever 5-3
  - brake pedal 5-7, 5-9, 5-11, 5-13
  - brake rod 5-7, 5-9, 5-11, 5-13
  - brake self-adjusting mechanism 5-3
  - brake shoe 5-3
  - brake spring 5-3
  - breather 17-3, 18-11, 21-3
  - breather hose 12-11
  - brow 1-7
  - brow cap 1-7
  - brush 20-3
  - brush box assembly 20-3
  - brush cover kit, starter/generator 7-15, 8-7
  - brush inspection port cover 7-15, 8-7
  - brush rigging 20-3
  - brush spring 7-15, 8-7, 20-3
  - brush spring set 7-15, 8-7
  - brush spring, starter/generator 7-15, 8-7
  - brush terminal, starter/generator 7-15, 8-7
  - bucket, battery 19-9, 19-11
  - bucket, gas vehicle 11-3, 12-3, 12-5
  - bucket, sand 1-31
  - buckle, bag strap 1-23
  - bulb, headlight 4-3, 4-5, 4-7, 4-9
  - bulb, turn signal 4-3, 4-5, 4-7, 4-9
  - Bumper 1-5
  - bumper 1-5
    - drive unit (motor) 20-3
    - jounce 1-51, 1-53, 1-55, 6-19
    - rubber 1-27
  - Bumper, Shock Plug 1-5, 4-3, 4-5, 4-7, 4-9
  - bushing 6-11, 6-13, 7-9, 15-3, 16-5, 18-3
    - return line 11-3
    - urethane 6-15, 6-17, 6-19
  - button, drive 15-5, 16-7
  - buzzer, reverse 4-11, 4-13, 4-15
- ## C
- cable
    - accelerator 11-11, 12-13
    - brake 5-5
    - FNR shifter 7-9, 18-5
    - governor 11-11, 12-13
  - cable support bracket 7-9
  - calibration test module 23-3
  - cam
    - driven clutch 15-5, 16-7
    - neutral lockout 7-9
  - cam, engine 10-17
  - cam, neutral lockout 7-9, 18-3
  - camshaft 9-13, 10-17
  - camshaft o-ring 10-17
  - camshaft shim 9-13
  - canister, carbon, fuel tank 11-5, 12-7
  - canopy 1-33, 1-35
    - canopy drain cover 1-33, 1-35, 1-37
    - canopy handle 1-33, 1-35
    - canopy strut, front, lh 1-39, 1-41, 1-45
    - canopy strut, front, rh 1-39, 1-41, 1-45
    - canopy support 1-39, 1-41
    - canopy support bracket, drv 1-23
    - canopy support bracket, pas 1-23
    - canopy support cover, drv 1-9, 1-39, 1-41, 1-45
    - canopy support cover, pas 1-9, 1-39, 1-41, 1-45
  - cap
    - dust 4-11
    - front hub 6-13
    - fuel, gas, ratchet 11-3, 12-3, 12-5
    - key switch 4-11, 4-13, 4-15
    - plug 9-7
    - rubber 18-17
  - cap, hub, 7 prong 2-3
  - cap, SAM 1-9
  - carbon canister 11-5, 12-7
  - carburetor adapter 11-9
  - carburetor gasket 11-9
  - carburetor insulator 11-9
  - carburetor mounting gasket 11-9
  - carburetor, FE350 S26 11-7
  - card, safety first 23-5
  - case
    - gear 21-3
    - rocker 9-11
    - transaxle 18-11
  - CE mark battery bucket plug kit 19-11
  - CE mark decal 19-11
  - CE mark ferrite bead, Fair-rite 19-19
  - CE mark ferrite bead, TDK 19-19
  - center shaft 18-13
  - chain, timing 10-17
  - charge indicator light 4-11
  - charger bezel tool 23-3
  - charger receptacle 19-5
  - charger, battery, Hi-Freq 22-3, 22-5, 22-7, 22-9, 22-13
  - choke button rod 1-17, 11-13
  - choke lever 1-17, 11-13
  - clamp
    - battery 7-19, 8-11
    - cable retaining 11-11
    - hose 11-3, 11-9, 12-3, 12-5, 12-7, 12-15
    - leaf spring 6-13
    - muffler hose 13-3
    - p- (fuel filter) 10-9, 12-13
  - clamshell bracket 1-13
  - clip
    - body trim 1-13, 1-25
    - retainer plate 10-15
  - clip, piston pin 10-21
  - clip, score card 6-3, 6-5
  - cluster, brake 5-3
  - clutch
    - pin 18-13
  - clutch cam installation tool 23-3
  - clutch pulley 15-3
  - clutch repair kit 15-5, 16-7
  - clutch tool kit 23-3
  - clutch weight 15-3, 16-5
  - clutch, drive 15-3, 16-5
  - clutch, driven 15-5, 16-7
  - coil, ignition 10-11
  - collar 18-13
  - collet 9-11, 10-17
  - comfort grip steering wheel 6-3
  - comfort grip steering wheel kit 6-3
  - component mounting plate 19-17
  - compression gauge 23-5
  - compression spring 1-17, 11-13

# INDEX

compressor, piston ring 23-5  
compressor, valve spring 23-7  
connecting rod 9-15, 10-21  
connector, 9-pin 4-13, 7-7  
continuity tester 23-5  
controller diagnostic tool (CDT) 23-5  
controller diagnostic tool (CDT) cable 23-5  
controller shield 19-17  
controller, motor speed  
    Excel w/Hi-Freq 19-17  
conversion kit, 4 pass, beige 1-51  
conversion kit, 4 pass, gray 1-55  
conversion kit, 4 pass, white 1-53  
cooling fan 10-7  
cord connector 9-13  
cord reel 22-13  
cord set, DC 22-3, 22-5, 22-7, 22-9, 22-11  
cord, AC 22-3, 22-11  
cord, DC 22-13  
counter shaft 18-13  
counterbalance guide shaft 9-15  
counterbalance weight 9-15  
cover  
    air intake 11-13, 12-15  
    brush inspection port 7-15, 8-7  
    canopy drain 1-33, 1-35, 1-37  
    crankcase 9-13, 10-19  
    DC terminal block 22-3, 22-5, 22-7, 22-9, 22-13  
    dust 5-3  
    fan 10-7  
    oil pump 9-9  
    support, canopy, drv 1-9, 1-39, 1-41, 1-45  
    support, canopy, pas 1-9, 1-39, 1-41, 1-45  
    USB 22-3, 22-5, 22-7, 22-9, 22-13  
cover plate 20-3  
cover, rocker 10-15  
cover, steering column 4-3, 4-5, 4-7, 4-9  
cover, valve 10-15  
crankcase 9-15, 10-19  
crankcase baffle 10-7  
crankcase cover 9-13, 10-19  
crankcase vent tube 11-9  
crankshaft 9-15, 10-21  
crankshaft rod 9-15  
crankshaft shim 9-15  
crossmember, rear 1-3  
cushion, shock absorber 6-15, 6-17, 6-19  
cylinder head 9-11, 10-15

## D

dash 1-11  
dash support assembly 1-3, 6-11  
DC cord 22-13  
DC cord set 22-3, 22-5, 22-7, 22-9, 22-11  
decals 3-9

CE mark 19-11  
Club Car clip 3-3  
engine warning 10-7  
filter log 19-15  
four-passenger warning 1-51, 1-53, 1-55, 3-15  
frame ground warning 3-3, 3-7  
gas and governor warning 3-3  
inspect log 19-15  
on/off 3-3, 3-5, 3-11  
private speed mode 3-5, 3-11  
rollover warning 3-3, 3-5, 3-11  
rotating parts 3-3, 3-7, 7-15  
run/service switch 3-7, 8-13  
Run/Tow warning 3-13  
warning 3-13  
warning, Run/Tow 3-13  
water exposure 3-13  
deflector  
    air 10-9  
deionizer 19-15  
    cartridge 19-15  
differential 18-15  
    open 18-15  
differential drive unit 17-3, 21-3  
differential gear 21-3  
differential gear case 17-7  
differential gear set 18-15  
differential housing 21-3  
differential shaft 18-15  
diode 8-5  
dipstick 9-5, 10-19  
drain channel 1-11  
drain plug 1-27, 9-9, 10-19, 17-3, 18-11  
drain plug gasket 9-9, 10-19, 17-3  
drain plug, rubber 7-15, 8-7  
drive belt 15-3, 16-3  
drive button 15-5, 16-7  
drive clutch 15-3, 16-5  
drive clutch button 15-3, 16-5  
drive clutch fixed-face 15-3  
drive clutch holder tool 23-3  
drive clutch hub puller 23-3  
drive clutch puller 23-3  
drive clutch spring 15-3, 16-5  
drive clutch weight 15-3, 16-5  
drive hub 15-3, 16-5  
drive selector shaft 17-3  
drive unit bumper 20-3  
driven clutch 15-5, 16-7  
driven clutch button 15-5, 16-7  
driven clutch cam 15-5, 16-7  
driven clutch cam puller 23-3  
driven clutch fixed-face assembly 15-5  
driven clutch puller plug 23-3  
driver, drive clutch 15-3, 16-5

drum, brake 5-3  
dry moly lubricant 23-5  
dust cap 4-11  
dust cover 5-3  
dust seal 6-9

## E

eccentric adjustment screw 6-13  
ECU 12-9  
end cap, motor 20-3  
end, tie rod 6-9  
engine  
    air cleaner 12-15  
    air deflector 10-9  
    air filter 9-3, 10-3, 11-13, 12-15  
    air intake hose 12-15  
    balance shaft 10-21  
    bearing, balance shaft 10-19  
    bearing, crankshaft 10-19  
    breather hose 12-11  
    cam 10-17  
    camshaft 10-17  
    camshaft O-ring 10-17  
    connecting rod 10-21  
    crankcase 10-19  
    crankcase baffle 10-7  
    crankcase cover 10-19  
    crankcase plug 10-19  
    crankshaft 10-21  
    crankshaft key 10-21  
    cylinder head 10-15  
    dipstick 10-19  
    drain plug gasket 10-19  
    ECU 12-9  
    exhaust valve 10-17  
    fan 10-7  
    fan housing 10-7  
    flywheel 10-11  
    fuel injector 12-9  
    guide pin 10-19  
    head gasket 10-15  
    ignition coil 10-11  
    insulator, throttle body 12-11  
    intake valve 10-17  
    oil drain plug 10-19  
    oil filler tube 10-19  
    oil filler tube O-ring 10-19  
    oil level sensor 10-13  
    oil seal 10-19  
    piston 10-21  
    piston pin 10-21  
    piston pin clip 10-21  
    piston ring set 10-21  
    retainer plate 10-15  
    retainer plate clip 10-15  
    rocker arm 10-17

# INDEX

rocker cover 10-15  
rocker cover gasket 10-15  
rocker shaft 10-17  
spark plug 10-3, 10-11  
temperature sensor 10-13  
throttle body 12-9  
timing chain 10-17  
timing chain guide 10-17  
timing chain sprocket 10-17  
timing chain tensioner 10-17  
valve collet 10-17  
valve guide 10-15  
valve seal 10-15  
valve spring 10-17  
valve spring retainer 10-17  
warning decal 10-7  
engine mounting plate 9-17  
engine shroud 9-5  
engine tune-up kit 9-3  
engine warning decal 10-7  
engine, EX40 10-5  
engine, FE350 S26 9-5  
equalizer 5-5  
exhaust system 13-3, 14-3  
exhaust valve 9-11, 10-17

## F

face, moveable 15-3, 15-5, 16-7  
fan  
    cooling 10-7  
fan cover 10-7  
fan housing 9-5, 10-7  
fan shroud 9-5  
fan, flywheel 9-7  
fascia 1-7  
ferrite bead (CE), Fair-rite 19-19  
ferrite bead (CE), TDK 19-19  
field coil housing 7-15, 8-7  
fill plug 17-3  
fill plug gasket 17-3  
filter  
    air 9-3, 10-3, 11-13, 12-15  
    fuel 9-3, 11-3, 12-3, 12-5  
    oil 9-3, 9-9  
    oil pump 9-9  
fitting, fuel 11-3  
fixed-face, drive clutch 15-3  
fixed-face, driven clutch 15-5  
float 11-7  
floor cover plate 5-7, 5-9, 5-11, 5-13  
floor mat 1-13  
floor mat retainer, lh 1-13  
floor mat retainer, rh 1-13  
floor mat, 4 pass, rear 1-49, 1-51, 1-53, 1-55  
flywheel 9-7, 10-11  
flywheel fan 9-7

flywheel fan plate 9-7  
FNR bezel 7-9  
FNR handle 7-9, 18-3  
FNR housing 19-7  
FNR shift lever 17-3, 18-7  
FNR shifter 7-9  
FNR shifter base 7-9, 18-3  
FNR shifter cable 7-9, 18-5  
foot deck 1-49, 1-51, 1-53, 1-55  
fork, shift 17-5  
frame and field assembly (motor) 20-3  
frame and field, starter/generator 7-15, 8-7  
front body beauty panel 1-7  
front leaf spring 6-13  
front suspension structure 6-11  
fuel  
    valve, inline 11-3  
fuel filter 9-3, 11-3, 12-3, 12-5  
fuel injector 12-9  
fuel line 11-3, 11-9, 12-7  
fuel pump 11-3, 12-3, 12-5  
fuel tank 11-3, 12-3, 12-5  
fuel tank hold-down 11-3  
fuse  
    10-amp 7-19, 8-5  
    15-amp 19-5, 19-7  
    2-amp 8-5, 19-5  
    30-amp 19-5, 22-13  
    5-amp 8-5  
fuse cover, sealed 7-19

## G

gas pedal assembly, anodized 5-9, 5-11  
gas pedal assembly, anodized triac 5-7  
gasket 18-11  
    air intake 11-13, 12-15  
    carburetor 11-9  
    carburetor mounting 11-7, 11-9  
    cover, rocker 10-15  
    cover, valve 10-15  
    crankcase cover 9-11, 9-13  
    drain plug 9-9, 10-19  
    drain plug, fill plug 17-3  
    exhaust 9-11, 13-3, 14-3  
    head 9-11  
    insulator 9-11, 11-9, 12-11  
    liquid 21-3, 23-5  
    plug 21-3  
    rocker case 9-11  
    seat 1-21  
gasket, head 10-15  
gauge, compression 23-5  
gear  
    17 tooth 18-13  
    25 tooth 17-5  
    28 tooth 17-5

34 tooth 18-13  
52 tooth 18-13  
60 tooth 18-15  
62 tooth 18-13  
differential 17-7, 21-3  
differential idler 21-3  
differential output 21-3  
governor 18-11  
governor, 34 tooth 18-13  
helical 9-15  
planetary 17-7  
set, differential 18-15  
speed governor 17-5  
spur 9-15  
sun 17-7  
gear yoke 23-5  
gearcase 21-3  
governor 17-5  
governor arm 12-13, 17-3, 18-9  
governor cable 11-11, 12-13  
governor cable bracket 11-11  
governor gear shaft 18-11  
governor shaft 18-11  
governor shield 11-9  
grip, pencil 6-3, 6-5  
grommet 11-3, 12-3, 12-5  
Grommet, Ignition 9-7  
guide  
    intake valve 9-11  
    valve 10-15  
guide pin 10-19, 18-11  
guide ring adhesive 23-3  
guide, timing chain 10-17

## H

hand rail 1-49, 1-51, 1-53, 1-55  
handle, canopy 1-35  
handle, FNR 7-9, 18-3  
harness, instrument panel 4-3, 4-5, 4-7, 4-9,  
    4-11, 4-13, 7-7, 8-5  
harness, main 8-5  
harness, wire 4-3, 4-5, 4-7, 4-9, 19-5  
harness, wire, gas engine-ECU 8-5  
harness, wire, gas IP 4-13, 7-7, 8-5  
harness, wire, gas main 7-13  
harness, wire, onboard battery charger 22-13  
head gasket 9-11, 10-15  
head, cylinder 9-11, 10-15  
headlamp 4-3, 4-5, 4-7, 4-9  
headlight bulb 4-3, 4-5, 4-7, 4-9  
helical gear 9-15  
hinge 19-9, 19-11  
    seat bottom 1-21  
hinge, seat bottom 1-21  
hip restraint 1-21  
hip restraint, 4 pass 1-47, 1-51, 1-53, 1-55

# INDEX

hold-down, battery 19-9, 19-11

hold-down, fuel tank 11-3

hoop, bag 1-23

horn 4-3, 4-5, 4-7, 4-9

hose

air intake 11-13, 12-15

engine breather 12-11

fuel 11-3, 12-7

fuel vent 11-3, 12-7

SPWS 19-13

vent 11-3, 11-5, 12-7

housing

3-pin 20-3

differential 21-3

fan 9-5, 10-7

field coil 7-15, 8-7

hub 6-13, 18-17

hub cap 2-3, 6-13

hub cap, 7 prong 2-3

hydrometer 23-5

## I

idle screw assembly 11-7

idler bearing 15-3

idler gear, differential 21-3

ignition coil 9-7, 10-11

inner ball joint 6-9

inner frame snubber 9-17, 10-5

input shaft 18-13, 21-3

instrument panel 4-11, 4-13, 4-15

instrument panel harness 4-3, 4-5, 4-7, 4-9, 4-11, 4-13, 7-7, 8-5

insulator 12-11

insulator gasket 9-11, 11-9, 12-11

insulator, carburetor 11-9

intake assembly 11-13

intake cover 11-13, 12-15

intake hose 11-13

intake valve 9-11, 10-17

intermediate shaft 21-3

internal retaining ring pliers 23-5

## J

J-clip 1-3, 1-49, 6-15, 6-17, 6-19

jet, main 11-7

jet, pilot 11-7

jounce bumper 1-51, 1-53, 1-55, 6-19

jounce bumper bracket 1-51, 1-53, 1-55, 6-19

## K

key

crankshaft 9-7, 9-15

driven clutch 15-5, 16-7

On/Off 4-11, 4-13, 4-15

square 15-5, 16-7

key switch 4-11, 4-13, 4-15

key switch cap 4-11, 4-13, 4-15

key,crankshaft 10-21

kick plate (ele) 1-19

kick plate (gas) 1-15, 1-17

kick plate, body 1-17

king pin 6-13

kit

3-pin housing 20-3

4 pass conversion, beige 1-51

4 pass conversion, gray 1-55

4 pass conversion, white 1-53

ball joint, inner 6-9

bellows, steering, sona 6-9

brake cable 5-5

brake shoe retainer 5-3

CE battery bucket plug 19-11

clutch repair 15-5, 16-7

comfort grip steering wheel 6-3

controller diagnostic tool (CDT) 23-5

deflector, air 10-9

drive clutch button 15-3, 16-5

drive clutch weight 15-3, 16-5

driven clutch button 15-5, 16-7

front hub replacement 6-13

hand pump, SPWS 19-15

hub cap 2-3

motor brush 20-3

motor brush spring 20-3

motor cover plate 20-3

motor speed sensor 20-3

motor terminal hardware 20-3

neutral lockout cam 7-9

SAM assembly 1-23

seat bottom 1-21

shock absorber 6-15, 6-17, 6-19

shock absorber cushion 6-15, 6-17, 6-19

shoe retainer 5-3

tune up 9-3

underbody cover 1-9

knob, light switch 4-3, 4-5, 4-7, 4-9, 4-15

## L

leaf spring, front 6-13

leaf spring, rear 6-15, 6-17

leaf spring, rear, 4-pass 1-51, 1-53, 1-55, 6-19

lever

choke 1-17, 11-13

speed governor 17-3

transaxle shift 18-7

transmission shift 17-3

light

charge indicator 4-11

oil 4-13, 4-15

tail 4-7, 4-9

water quality 19-15

light switch 4-3, 4-5, 4-7, 4-9, 4-15

light switch knob 4-3, 4-5, 4-7, 4-9, 4-15

limit switch 7-9, 8-15

line, fuel 11-9, 12-7

liquid gasket 21-3, 23-5

low oil warning light 4-13, 4-15

lubricant, dry moly 23-5

lubricant, moly-teflon 20-3, 23-5

lug nut 2-3, 2-5

lug stud 6-13, 17-7, 18-17, 21-3

## M

magnet, speed sensor 20-3

main harness 8-5

main jet 11-7

MCOR 5-13, 19-3

mechanism, brake adjusting 5-3

meter, volt ohm 23-7

module

calibration test 23-3

moly-teflon lubricant 23-5

motor

48-volt IQ 20-3

motor brush kit 20-3

motor brush spring kit 20-3

motor bumper 20-3

motor end cap 20-3

motor magnet, speed sensor 20-3

motor speed controller

Excel w/Hi-Freq 19-17

motor speed sensor 20-3

motor speed sensor kit 20-3

motor terminal hardware kit 20-3

motor wire harness 19-5

mounting plate, component 19-17

moveable-face 15-3, 15-5, 16-5, 16-7

muffler hose clamp 13-3

## N

nameplate 1-7

neutral lockout cam 7-9, 18-3

nozzle, main 11-7

nut, lug 2-3, 2-5

## O

oil conveyor 17-3

oil filler tube 9-5, 10-19

oil filter 9-3, 9-9

oil filter mount bracket 9-9

oil filter screen 9-13

oil filter screen plate 9-13

oil level sensor 9-13, 10-13

oil level switch bracket 9-13

oil pump and rotor 9-9

oil pump cover 9-9

# INDEX

- oil pump filter 9-9
- oil pump plate 9-9
- oil seal 9-11, 9-13, 9-15, 10-19, 18-11
- oil warning light, low 4-13, 4-15
- O-ring 9-5, 9-11, 9-13, 9-15, 10-17, 10-19
- o-ring 12-3, 12-5
  
- P**
- paint, underbody (black) 23-5
- panel
  - access 1-25
  - front body beauty 1-7
  - rear body beauty 1-25
  - SAM 1-23
- park brake release, anod 5-7, 5-9, 5-11, 5-13, 7-3, 8-3
- p-clamp (fuel filter) 10-9, 12-13
- pedal assembly, gas, anodized 5-9, 5-11
- pedal assembly, gas, anodized triac 5-7
- pedal, accelerator 5-7, 5-9, 5-11, 5-13, 7-3, 8-3
- pedal, brake 5-7, 5-9, 5-11, 5-13
- pencil grip 6-3, 6-5
- pilot air screw assembly 11-7
- pilot jet 11-7
- pin
  - bow tie locking 5-5
  - clevis 5-5
  - differential 18-15
  - guide 10-19, 18-11
  - input shaft 18-13
  - king 6-13
  - piston 9-15, 10-21
- piston 9-15, 10-21
- piston pin 9-15, 10-21
- piston pin clip 10-21
- piston ring 9-15, 10-21
- piston ring compressor 23-5
- piston ring pliers 23-5
- piston ring set 9-15, 10-21
- plate
  - backing (brake) 5-3
  - component mounting 19-17
  - cover 20-3
  - engine mounting 9-17
  - floor cover 5-7, 5-9, 5-11, 5-13
  - flywheel fan 9-7
  - kick(ele) 1-19
  - kick(gas) 1-15, 1-17
  - mounting, CVT, center 10-5
  - mounting, engine/axle 10-5
  - oil filter screen 9-13
  - oil pump 9-9
  - retainer 10-15
- pliers
  - internal retaining ring 23-5
  - piston ring 23-5
- retaining ring 23-5
- plug
  - drain 9-9, 17-3, 18-11
  - drive clutch 15-3
  - driven clutch puller 23-3
  - fill 17-3
  - oil drain 10-19
  - rubber drain 7-15, 8-7
  - rubber, crankcase 10-19
  - spark 9-3, 9-7, 10-3, 10-11
- plug cap 9-7
- plug, drain 1-27
- press weldment 23-3
- protector spray, battery terminal 23-3
- puller
  - bearing 23-3
  - drive clutch 23-3
  - drive clutch hub 23-3
  - driven clutch cam 23-3
  - seal 23-5
- pulley
  - clutch 15-3
  - starter-generator 7-15, 8-7
  - v-belt 7-15, 8-7
- pump
  - fuel 11-3, 12-3, 12-5
- push rod 9-11
  
- R**
- rack and pinion 6-9
- rear body beauty panel 1-25
- rear crossmember 1-3
- rear underbody support 1-23
- receptacle 19-5
- reel cord 22-13
- regulator, voltage 7-19, 8-11
- relay 4-7, 4-9
- relay, 12-volt 4-15
- release, anod park brake 5-7, 5-9, 5-11, 5-13, 7-3, 8-3
- remover, bearing and oil seal 23-3
- resistor assembly 19-17
- restraint, hip, 4 pass 1-47, 1-51, 1-53, 1-55
- retainer
  - brake shoe 5-3
  - shock absorber cushion 6-15, 6-17, 6-19
  - spring (drive clutch) 15-3
  - valve spring 9-11, 10-17
- retainer plate 10-15
- retainer, floormat, lh 1-13
- retainer, floormat, rh 1-13
- retaining ring pliers 23-5
- reverse buzzer 4-11, 4-13, 4-15
- rim (wheel) 2-3, 2-5
- ring
  - piston 9-15, 10-21
- retaining 7-9, 15-3, 15-5, 16-5, 16-7, 18-3, 18-11, 18-17
- snap 9-11, 9-15
- spiral backup 15-3, 16-5
- Rivet, Removable 1-25
- rocker arm 9-11, 10-17
- rocker case 9-11
- rocker case gasket 9-11
- rocker cover 10-15
- rocker cover gasket 10-15
- rocker shaft 9-11, 10-17
- rocker switch 19-7
- rod
  - brake 5-7, 5-9, 5-11, 5-13
  - connecting 9-15, 10-21
  - crankshaft 9-15
  - push 9-11
- rubber bumper 1-27
  
- S**
- safety first card 23-5
- SAM (structural accessory module) 1-23
- SAM assembly kit 1-23
- SAM cap 1-9
- SAM panel 1-23
- sand bottle 1-29
- sand bucket 1-31
- sand scoop 1-31
- scoop, sand 1-31
- score card clip 6-3, 6-5
- score card plate 6-3, 6-5
- screen, oil filter 9-13
- screw, eccentric adjustment 6-13
- seal
  - dust 6-9
  - lip 21-3
  - oil 9-11, 9-13, 9-15, 10-19, 17-7, 18-11, 21-3
  - valve 10-15
- seal puller 23-5
- sealant 21-3
- seat
  - spring 9-11
  - valve 9-9
- seat back, beige 1-23, 1-47, 1-51
- seat back, black 1-23, 1-47
- seat back, gray 1-23, 1-47, 1-55
- seat back, white 1-23, 1-47, 1-53
- seat bottom kit 1-21
- seat bracket 1-47, 1-51, 1-53, 1-55
- seat gasket 1-21
- seat hinge 1-21
- seat support bracket 1-47
- seat support weldment 1-47
- select shaft 18-11
- sensor
  - oil level 10-13

- temperature 10-13
- sensor, motor speed 20-3
- sensor, oil level 9-13
- shaft
  - axle 18-15
  - balance 10-21
  - center 18-13
  - counter 18-13
  - counterbalance guide 9-15
  - differential 18-15
  - drive selector 17-3
  - governor 18-11
  - governor gear 18-11
  - input 18-13, 21-3
  - intermediate 21-3
  - rocker 9-11, 10-17
  - select 18-11
  - shift 18-13
  - transmission 17-5
- shaft, reverse gear 17-5
- shaft, secondary
  - transmission 17-5
- shield, charger 22-13
- shield, controller 19-17
- shield, debris aux 5-7, 5-9, 5-11, 5-13
- shield, debris primary 5-7, 5-9, 5-11, 5-13
- shield, governor 11-9
- shift fork 17-5
- shift lever 17-3, 18-7
- shift shaft 18-13
- shifter, FNR 7-9
- shim, camshaft 9-13
- shim, crankshaft 9-15
- shock absorber (front) 6-11
- shock absorber (rear) 6-15, 6-17, 6-19
- shock absorber cushion 6-15, 6-17, 6-19
- shock absorber cushion retainer 6-15, 6-17, 6-19
- shock mounting bracket, drv 6-15, 6-17, 6-19
- shock mounting bracket, pas 6-15, 6-17, 6-19
- shoe retainer kit 5-3
- shoe, brake 5-3
- shroud 9-5
- shroud, engine 9-5
- shroud, fan 9-5
- sleeve 6-11, 6-13, 6-15, 6-17, 6-19, 18-11
- snap ring 9-11, 9-15
- snubber bracket 9-17, 10-5
- snubber, inner frame 9-17, 10-5
- solenoid, 12-volt 7-19, 8-11
- spacer 18-11, 18-13
- spark plug 9-3, 9-7, 10-3, 10-11
- speed controller
  - Excel w/Hi-Freq 19-17
- speed sensor 20-3
- speed sensor magnet 20-3
- speed sensor, motor 20-3
- spindle 6-13
- spiral backup ring 15-3, 16-5
- spray, battery terminal protector 23-3
- spring 18-11
  - brake 5-3
  - brush 7-15, 8-7, 20-3
  - compression 1-17, 6-3, 6-5, 11-13
  - drive button 15-3, 16-5
  - drive clutch 15-3, 16-5
  - driven clutch 15-5, 16-7
  - forward/reverse cam 7-9, 18-3
  - leaf, front 6-13
  - throttle return 11-9
  - valve 9-11, 10-17
- spring retainer 10-17
- spring, leaf, rear 6-15, 6-17
- spring, leaf, rear, 4-pass 1-51, 1-53, 1-55, 6-19
- spur gear 9-15
- SPWS hose 19-13
- starter/generator 8-7
- starter/generator (bi-rotational) 7-15
- starter/generator belt 7-17, 15-3
- starter/generator brush cover kit 7-15, 8-7
- starter/generator brush spring 7-15, 8-7
- starter/generator brush terminal 7-15, 8-7
- starter/generator frame and field 7-15, 8-7
- starter/generator pulley 7-15, 8-7
- steel pressure relief ball 9-9
- steering column bearing press tool 23-7
- steering column cover 4-3, 4-5, 4-7, 4-9
- steering column retaining ring tool 23-7
- steering wheel 6-3, 6-5
- steering wheel (comfort grip) kit 6-3
- steering wheel puller tool 23-7
- stem, valve 2-3, 2-5
- stiffener, flywheel side 9-17
- strap, bag 1-23
- strut, angle, tie 1-47, 1-51, 1-53, 1-55
- strut, front canopy, lh 1-39, 1-41, 1-45
- strut, front canopy, rh 1-39, 1-41, 1-45
- stud 9-17
  - exhaust mounting
    - engine
      - exhaust mounting stud 10-15
    - intake mounting
      - engine
        - intake mounting stud 10-15, 12-11
      - lug 6-13, 17-7, 18-17, 21-3
  - stud, ball 7-9
  - support, canopy 1-39, 1-41
  - support, underbody, rear 1-23
  - suspension, front structure 6-11
  - switch
    - key 4-11, 4-13, 4-15
    - light 4-3, 4-5, 4-7, 4-9, 4-15
    - limit 7-9, 8-15
    - rocker 19-7
    - Tow/Run 19-7
  - switch rubber boot 8-13, 19-7
  - switch, toggle 8-13
  - synchronizer, complete 17-5

## T

  - 12-volt solenoid 7-19, 8-11
  - tachometer 23-7
  - taillight 4-7, 4-9
  - tank, fuel 11-3, 12-3, 12-5
  - tappet 9-13
  - temperature sensor 10-13
  - tensioner, timing chain 10-17
  - tester, continuity 23-5
  - thermometer, battery 23-3
  - three-piece A-arm 6-11
  - throttle body 12-9
  - throttle return spring 11-9
  - throttle spring return bracket 11-9
  - throttle, gas, Gen2, triac, sensor 5-7, 7-3, 8-3
  - throttle, Gen2, no sensor 5-9, 5-11, 5-13
  - tie rod end 6-9
  - tie wrap 1-41, 4-3, 4-5, 4-7, 4-9, 6-9, 18-5, 19-5, 19-19
  - timing chain 10-17
  - timing chain guide 10-17
  - tire 2-3
  - tire, pro tour, 205-50 x 10 2-5
  - toggle switch 8-13
  - tool
    - accelerator pedal adjustment 23-3
    - belt tensioning, starter/generator 23-7
    - brake cable release 23-3
    - charger bezel 23-3
    - clutch cam installation 23-3
    - drive clutch holder 23-3
    - steering column bearing press 23-7
    - steering column retaining ring 23-7
    - steering wheel puller 23-7
    - transaxle axle seal 23-7
    - transaxle pinion seal 23-7
    - transmission 23-7
  - tool kit, clutch 23-3
  - touch-up paint 23-5
  - Tow/Run switch 19-7
  - transaxle (Electric Vehicle) 21-3
  - transaxle axle seal tool 23-7
  - transaxle pinion seal tool 23-7
  - transaxle, open-diff (Gas Vehicle) 18-11
  - transaxle, Gaziano (Gasoline Vehicle) 17-3
  - transmission secondary shaft 17-5
  - transmission shaft 17-5
  - transmission tool 23-7



# INDEX

## tube

- axle 17-7, 18-15, 21-3
- battery cross rod 19-9, 19-11
- crankcase vent 11-9
- oil filler 9-5, 10-19

Tuflok 1-25

tune-up kit 9-3

turn signal bulb 4-3, 4-5, 4-7, 4-9

## U

U-bolt 1-51, 1-53, 1-55, 6-15, 6-17, 6-19

underbody 1-13, 1-25

underbody cover kit 1-9

underbody support, rear 1-23

urethane bushing 6-15, 6-17, 6-19

USB cover 22-3, 22-5, 22-7, 22-9, 22-13

## V

### valve

exhaust 9-11, 10-17

intake 9-11, 10-17

reed 9-11

valve collet 10-17

valve cover 10-15

valve cover gasket 10-15

valve guide 10-15

valve guide, intake 9-11

valve seal 10-15

valve seat 9-9

valve spring 9-11, 10-17

valve spring compressor 23-7

valve spring retainer 9-11

valve stem 2-3, 2-5

v-belt 7-17, 15-3

### vent

fuel tank 11-3, 12-3, 12-5

transaxle 18-11

vent, barb 11-5, 12-7

volt ohm meter 23-7

voltage regulator 7-19, 8-11

## W

warning light, low oil 4-13, 4-15

water quality light 19-15

wedge, bearing puller 23-3

### weight

clutch 15-3, 16-5

counterbalance 9-15

secondary clutch 15-3, 16-5

### weldment

governor bracket 12-13, 18-9

press 23-3

wheel 2-3, 2-5

steering 6-3, 6-5

### wire

green, starter/generator 8-5, 8-7

ground, fuel tank 8-5, 12-3, 12-5

wire harness 4-3, 4-5, 4-7, 4-9, 8-5, 19-5

wire harness, Excel w/Hi-Freq, MCOR3 19-5

wire harness, onboard battery charger 22-13

wire lead, ignition 9-7

wrap, tie 1-41, 4-3, 4-5, 4-7, 4-9, 6-9, 18-5, 19-5,  
19-19

## Y

yoke, gear 23-5







**Club Car, LLC**  
P.O. Box 204658  
Augusta, GA 30917-4658  
USA

**Web** [www.clubcar.com](http://www.clubcar.com)  
**Phone** 1.706.863.3000  
1.800.ClubCar  
**Int'l** +1 706.863.3000  
**Fax** 1.706.863.5808